

MODEL : SS10/SS11

List No : 1397-06

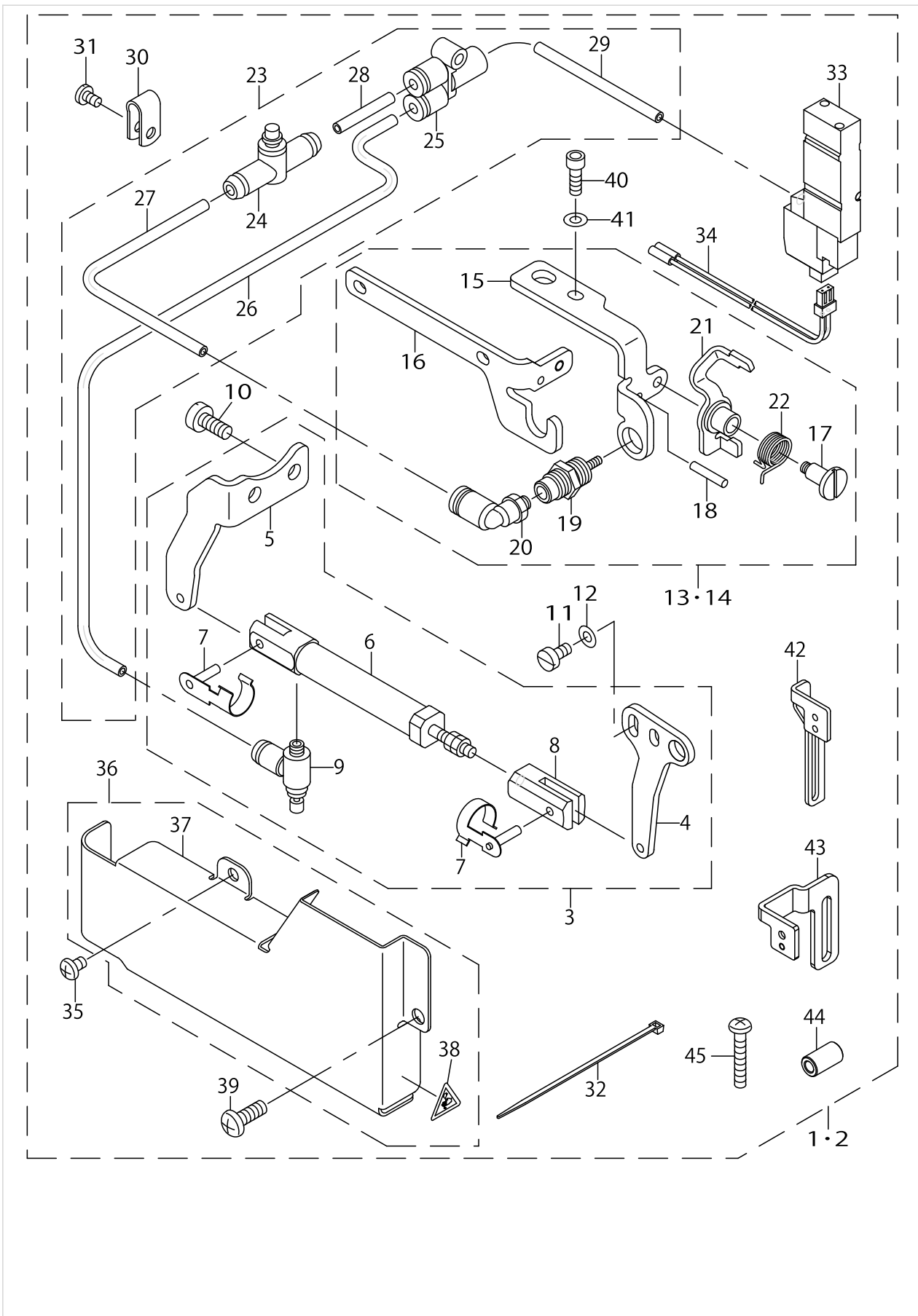
PARTS LIST

Published:09/10/2017

CONTENTS

SHORT STITCH DEVICE.....	1
HOW TO MAKE USE OF THIS PARTS LIST	5

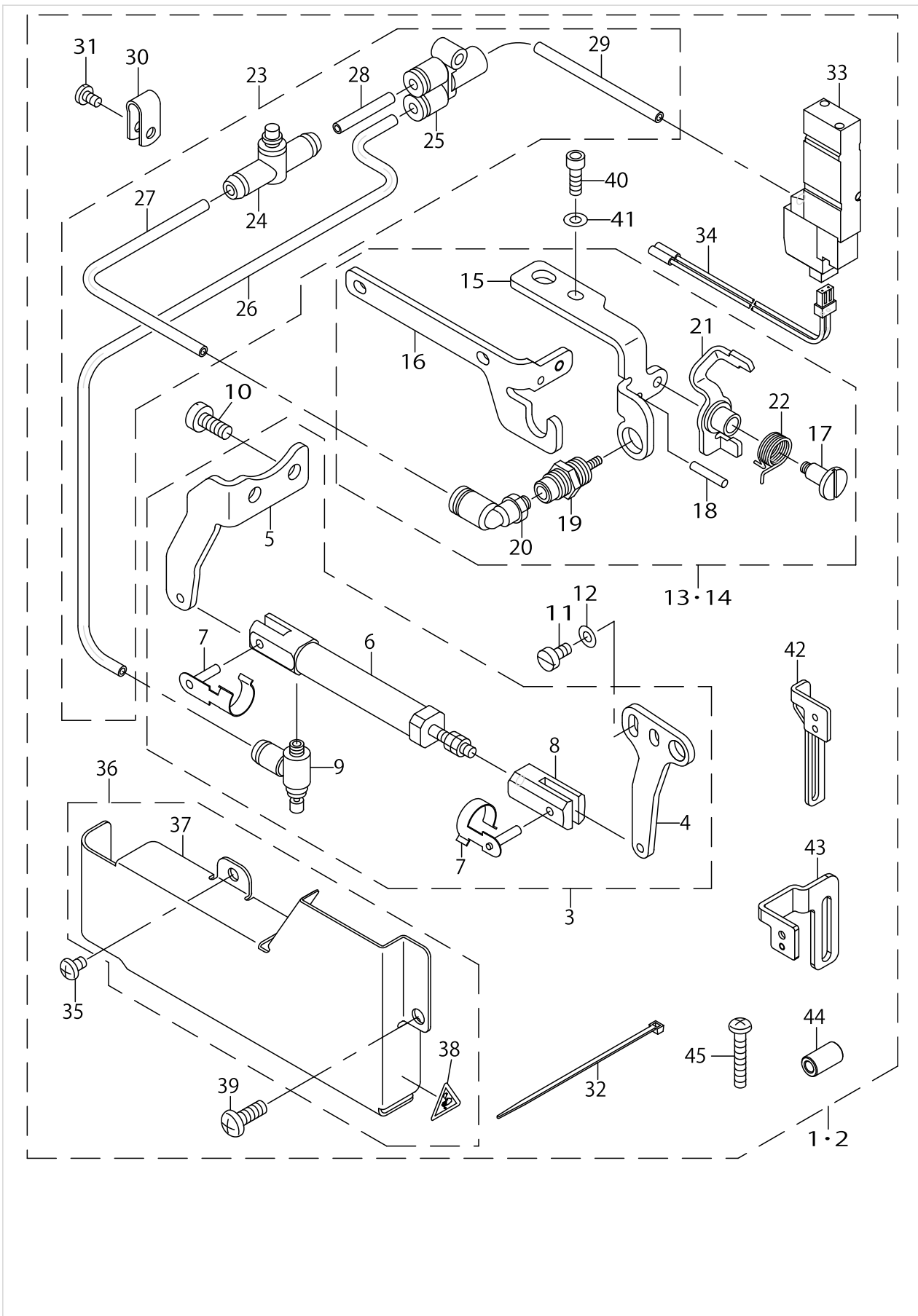
SHORT STITCH DEVICE



SHORT STITCH DEVICE

No.	Parts No.	Parts name	Remarks	Level	Cons	Qty
1	40020184	SS10 SHORT STITCH ASSY	FOR SS10			1
2	70004231	SS11 SHORT STITCH ASSY	FOR SS11 70004376 (DOCUMENTS CONTAIN) 70004292 (No. 19シリンダー含まない) 70004467 (No. 19シリンダー含む) 70004292 (No. 19 CYLINDERS ARE NOT IN 700-04467 (No. 19 CYLINDERS ARE INCLUD			1
3	40020187	SS LEVER UNIT		*		1
4	40019869	SS LEVER		*		1
5	40019870	SS CYLINDER BKT		*		1
6	PA1002009B0	AIR CYLINDER		*		1
7	PX500005000	CYLINDER MOVING BASE		*		1
8	PX500006000	Y-SHAPE NUCKLE		*		2
9	PC010508000	SPEED CONTROLLER		*		1
10	SM6051200TP	SCREW		*		2
11	SM6040800SP	SCREW		*		2
12	WP0450826SC	WASHER 4.5X10X0.8		*		2
13	40020188	SS TAKE UP UNIT	FOR SS10	*		1
14	70004229	SS TAKE UP UNIT	FOR SS11 70004376 (DOCUMENTS CONTAIN) 70004292 (No. 19シリンダー含まない) 70004467 (No. 19シリンダー含む) 70004292 (No. 19 CYLINDERS ARE NOT IN 700-04467 (No. 19 CYLINDERS ARE INCLUD	*		1
15	40019874	SS TAKE UP BASE	FOR SS10	*		1
16	70004217	SS TAKE UP BASE	FOR SS11 70004376 (DOCUMENTS CONTAIN) 70004292 (No. 19シリンダー含まない) 70004467 (No. 19シリンダー含む) 70004292 (No. 19 CYLINDERS ARE NOT IN 700-04467 (No. 19 CYLINDERS ARE INCLUD	*		1
17	SD0601006TP	SHOULDER SCREW D=6 H=10		*		1
18	PS0300162KH	SPRING PIN 3X16		*		1
19	PA0600504A0	AIR CYLINDER		*		1
20	PJ304040504	ELBOW UNION		*		1
21	40019871	SS TAKE UP ASM.		*		1
22	40019875	SS TAKE UP SPRING		*		1
23	40020223	SS AIR HOSE ASM.		*		1
24	PC012406000	SPEED CONTROLLER		*		1
26	BT0400251EB	URETHANE HOSE, BLACK		*		0.5
25	PJ308040002	QUICK COUPLING		*		1
27	BT0400251EB	URETHANE HOSE, BLACK		*		0.16
28	BT0400251EB	URETHANE HOSE, BLACK		*		0.36
29	BT0400251EB	URETHANE HOSE, BLACK		*		0.08
30	HX00150000A	CABLE CLAMP		*		1
31	SM4040655SP	SCREW M4 L=6		*		1
32	EA9500B0100	CABLE BAND		*		4
33	PV150103100	5-PORT SOLENOID VALVE		*		1
34	40019877	SS CABLE ASM.		*		1
35	SM4040655SP	SCREW M4 L=6		*		1
36	40030059	SS COVER ASSY		*		1
37	40019868	SS COVER		*		1
38	CM300200001	ATTENTION SEAL		*		1

SHORT STITCH DEVICE



SHORT STITCH DEVICE

No.	Parts No.	Parts name	Remarks	Level	Cons	Qty
39	SM4051455SP	SCREW M5 L=14		*		1
40	SM6041202TP	SCREW M4X0.7 L=12	FOR SS10	*		1
41	WP0482086SD	WASHER 4.8X11.5X2	FOR SS10	*		1
42	40019876	SS THD STRIKE OFF	FOR SS10	*		1
43	70004214	NDL THD STRIKE OFF	FOR SS11 70004376 (DOCUMENTS CONTAIN) 70004292 (No. 19シリンダー含まない) 70004467 (No. 19シリンダー含む) 70004292 (No. 19 CYLINDERS ARE NOT IN 700-04467 (No. 19 CYLINDERS ARE INCLUD	*		1
44	70004215	SPACER	FOR SS11 70004376 (DOCUMENTS CONTAIN) 70004292 (No. 19シリンダー含まない) 70004467 (No. 19シリンダー含む) 70004292 (No. 19 CYLINDERS ARE NOT IN 700-04467 (No. 19 CYLINDERS ARE INCLUD	*		2
45	SM4042555SP	SCREW M4 L=25	FOR SS11 70004376 (DOCUMENTS CONTAIN) 70004292 (No. 19シリンダー含まない) 70004467 (No. 19シリンダー含む) 70004292 (No. 19 CYLINDERS ARE NOT IN 700-04467 (No. 19 CYLINDERS ARE INCLUD	*		2

HOW TO MAKE USE OF THIS PARTS LIST

1.As to "#01" and "#02" refer to the "Note" given at the bottom of the respective pages.

2.Codes on the "Qty" column

- Each numeral indicates the number of parts required.
- "0.1" and "2.5" indicate the length (in meters) of the respective parts.

3.Parentheses mean that the corresponding part is a subpart that constructs an assembly part.

4.Dotted lines on the Figures indicate assembly parts.

1. リストページの#01、#02の印は、ページ下の"注記"の説明を参照下さい。
2. 数量欄の数字は、個数を表し、0.1、2.5等の数値は、長さ（単位メートル）を表します。
3. 数量欄の（ ）は、組部品を構成している子部品であることを意味します。
4. イラストページの-----枠は、組構成であることを意味します。

SS11 単体出荷注文用品番：70004376（ドキュメント類含む）

SS11 SIMPLE SUBSTANCE SHIPMENT ORDER ARTICLE WATCH
70004376(DOCUMENTS CONTAIN)

SS10⇒SS11 改造用部品注文用品番
70004292（No.19 シリンダ\M+18100[含まない]
70004467（No.19 シリンダー含む）

SS10⇒SS11 PART ORDER ARTICLE WATCH FOR RECONSTRUCTION
70004292(No.19 CYLINDERS ARE NOT INCLUDED)
70004467(No.19 CYLINDERS ARE INCLUDED)

NUMERICAL INDEX OF PARTS

PART NO	PAGE	REF NO.
40019868	2	37
40019869	2	4
40019870	2	5
40019871	2	21
40019874	2	15
40019875	2	22
40019876	4	42
40019877	2	34
40020184	2	1·2
40020187	2	3
40020188	2	13·14
40020223	2	23
40030059	2	36
70004214	4	43
70004215	4	44
70004217	2	16
70004229	2	13·14
70004231	2	1·2
BT0400251EB	2	29
CM300200001	2	38
EA9500B0100	2	32
HX00150000A	2	30
PA0600504A0	2	19
PA1002009B0	2	6
PC010508000	2	9
PC012406000	2	24
PJ304040504	2	20
PJ308040002	2	25
PS0300162KH	2	18
PV150103100	2	33
PX500005000	2	7
PX500006000	2	8
SD0601006TP	2	17
SM4040655SP	2	35
SM4042555SP	4	45
SM4051455SP	4	39
SM6040800SP	2	11
SM6041202TP	4	40
SM6051200TP	2	10
WP0450826SC	2	12
WP0482086SD	4	41