

MODEL : MD10  
List No : 1395-01

# PARTS LIST

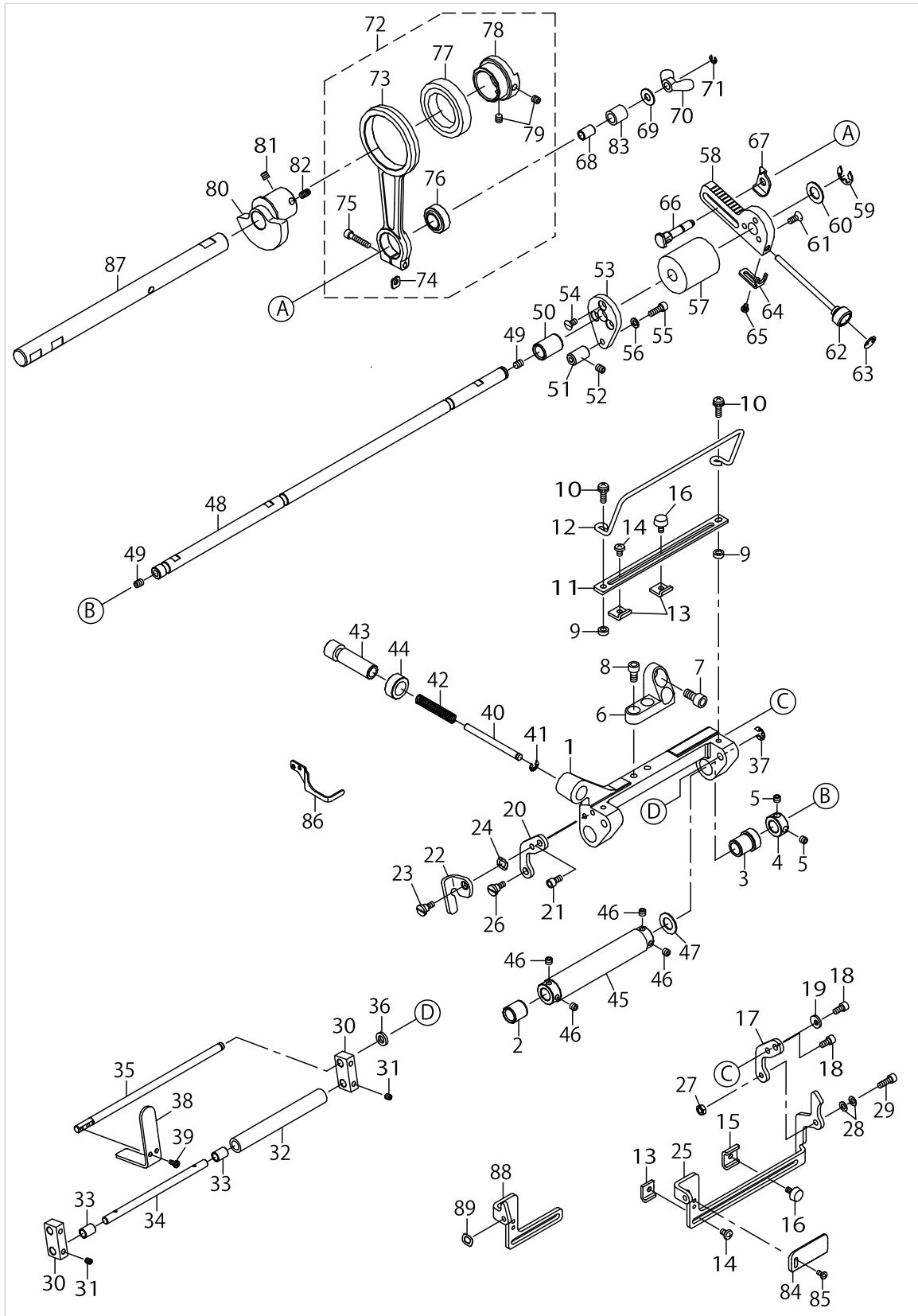
Published:09/10/2017

## CONTENTS

---

DEVICE COMPONENTS .....	1
ACCESSORIE PART COMPONENTS.....	5
HOW TO MAKE USE OF THIS PARTS LIST .....	7

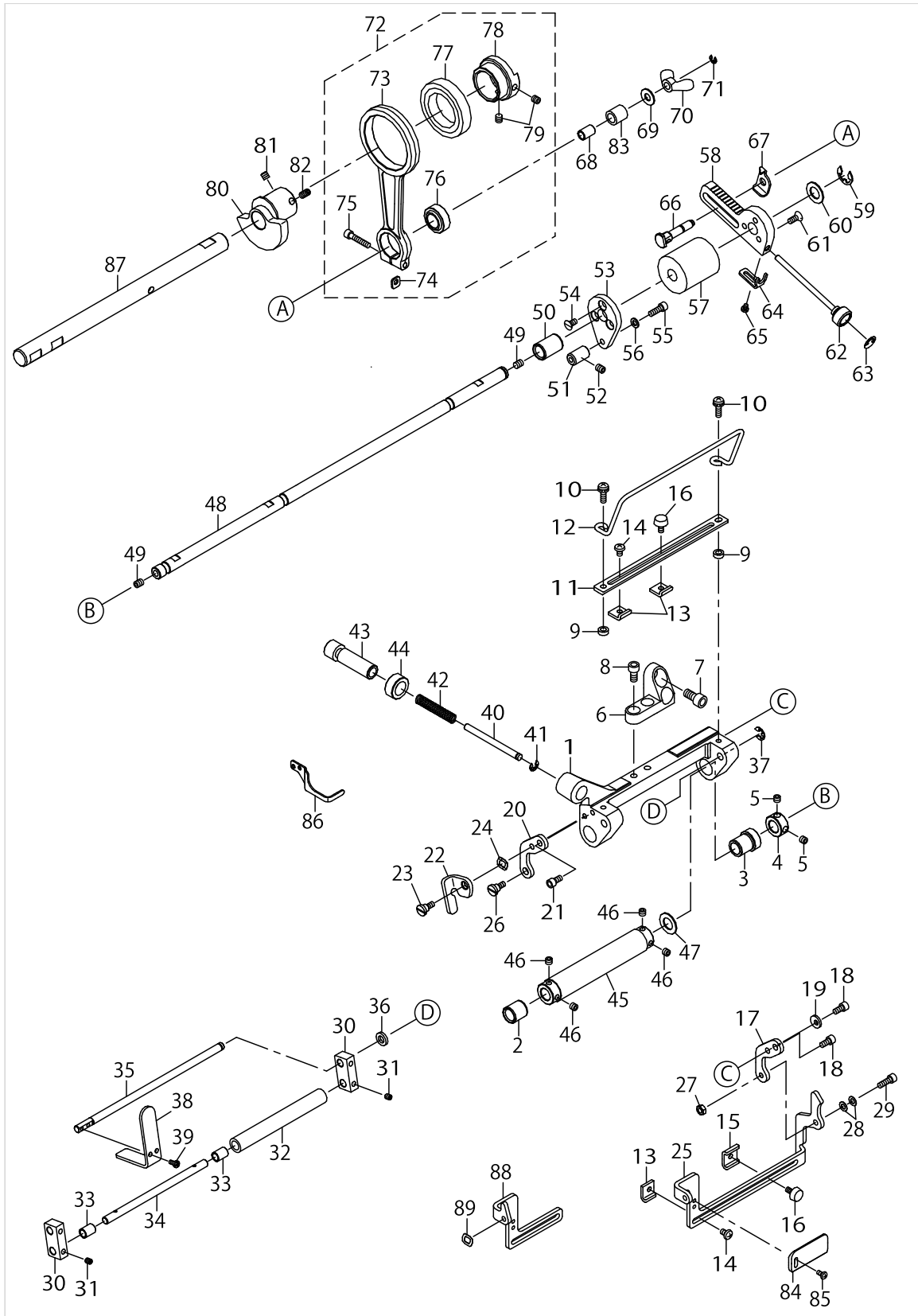
DEVICE COMPONENTS



DEVICE COMPONENTS

No.	Parts No.	Parts name	Remarks	Level	Cons	Qty
1	40013672	BASE				1
2	40013673	DRIVE_SHAFT_METAL_B				1
3	40020532	DRIVE_SHAFT_METAL_C				1
4	CS1000881TP	THRUST COLLAR				1
5	SM8050412TP	SCREW M5 L=4				2
6	40013671	INSTALLING_BASE				1
7	SM6061202TP	SCREW M6 L=12				2
8	SM6051002TP	SCREW M5X0.8 L=10				2
9	B3013141H0A	WASHER				2
10	SL4041491SC	SCREW 4 X 14				2
11	40013674	GUIDE_PLATE				1
12	40011207	SUPPORT_GUIDE_B				1
13	40018265	SIDE_GUIDE_A				3
14	SM5040655SN	SCREW				2
15	40018266	SIDE_GUIDE_B				1
16	40019379	KNOB_SCREW				2
17	40019666	GUIDE_ARM_MOUNTING_PLATE_R				1
18	SM6040802TP	SCREW M4X0.7 L=8				2
19	40011182	STOPPER				1
20	40019667	GUIDE_ARM_MOUNTING_PLATE_L				1
21	SM6040802TP	SCREW M4X0.7 L=8				1
22	40019606	DRIVEN_ROLLER_STOPPER				1
23	SD0600406TP	SHOULDER SCREW				1
24	WZ0641510KP	WAVED WASHER 6.4X11X0.3				1
25	40013679	GUIDE_ARM				1
26	SD0600406TP	SHOULDER SCREW				1
27	NM6040002SN	NUT M4				1
28	WZ0420350KP	DISC SPRING				2
29	SM6041202TP	SCREW M4X0.7 L=12				1
30	40011172	DRIVEN_ROLLER_ARM				2
31	SM8040512TP	SCREW				4
32	40012263	DRIVEN_ROLLER				1
33	40020360	DRIVEN_ROLLER_METAL				2
34	40011171	DRIVEN_ROLLER_SHAFT				1
35	40019609	DRIVEN_ROLLER_ARM_SHAFT				1
36	WP0612066SP	WASHER 6.1X11X2				1
37	RE0500000K0	E-RING				1
38	40018261	PRESSER_PLATE				1
39	SM4030655SP	SCREW				2
40	40011178	PRESSER_BAR				1
41	RE0400000K0	E-RING 4				1
42	40019668	SPRING				1
43	40011179	PRESSER SPRING REGULATOR				1
44	40011180	NUT				1
45	40012262	DRIVE_ROLLER				1
46	SM8050412TP	SCREW M5 L=4				4
47	WP1021016SD	WASHER				1

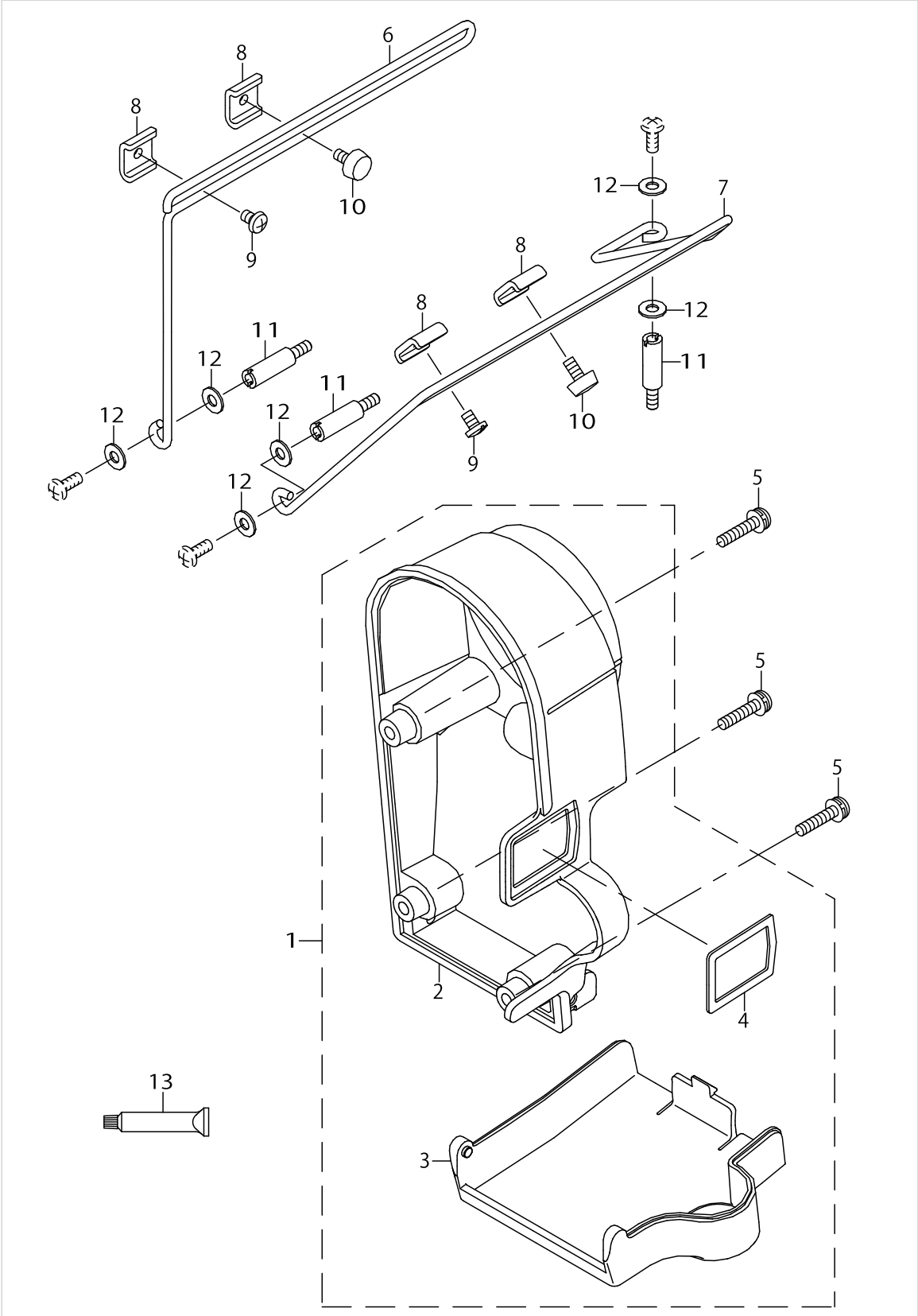
DEVICE COMPONENTS



DEVICE COMPONENTS

No.	Parts No.	Parts name	Remarks	Level	Cons	Qty
48	40019620	DRIVE_SHAFT				1
49	SM8050612TP	SCREW M5X6				2
50	40019621	DRIVE_SHAFT_METAL_A				1
51	40011189	BUSHING				1
52	SM8050612TP	SCREW M5X6				1
53	40011190	CLUTCH_MOUNTING_PLATE				1
54	SM1040800SP	SCREW				3
55	SM6041202TP	SCREW M4X0.7 L=12				1
56	WP0430800SC	WASHER M4				1
57	40011191	CLUTCH				1
58	40011192	FEED_REGULATOR_ARM				1
59	RE0800000K0	E-SHAPED SNAP RING (8MM)				1
60	WP1021016SD	WASHER				1
61	SM1041000SP	SCREW M4 L=10				3
62	40011195	FEED_REGULATOR_SCREW				1
63	11212503	STOPPER DIAL PLATE				1
64	40011196	FEED_REGULATOR_FIX_PLATE				1
65	SM4030455SP	SCREW				2
66	40011198	FULCRUM_SHAFT				1
67	40011197	SCALE_POINTER				1
68	40019622	NEEDLE_INNER_RING				1
69	WP0621046SP	WASHER				1
70	NM9060610SE	WING NUT M6				1
71	RE0300000K0	E-RING 3				1
72	40020164	FEED_ROD_ASSY				1
73	40011200	FEED_ROD		*		1
74	40019629	SPACER		*		1
75	SM6042002TP	SCREW M4X0.7 L=20		*		1
76	40019994	SLIDE_SHAFT HOLDER		*		1
77	SB130000500	BEARING		*		1
78	40019637	FEED_CAM_B		*		1
79	SM8050502TP	SCREW M5 L=5		*		2
80	40019636	FEED_CAM_A				1
81	SM8050502TP	SCREW M5 L=5				1
82	SM8051002TP	SCREW M5 L=10				1
83	40020284	P=BEARING				1
84	40020003	PROTECTION_SHIELD				1
85	SM4030655SP	SCREW				2
86	40020004	FINGER_GUARD				1
87	40011202	UPPER_MAINSHAFT_RIGHT				1
88	40022240	GUIDE ARM SHORT	OPTIONAL PARTS			1
89	WZ0641510KP	WAVED WASHER 6.4X11X0.3	OPTIONAL PARTS			1

ACCESSORIE PART COMPONENTS



ACCESSORIE PART COMPONENTS

No.	Parts No.	Parts name	Remarks	Level	Cons	Qty
1	40020190	PULLEY_COVER_ASSY				1
2	40011410	PULLEY_COVER_A		*		1
3	40011411	PULLEY_COVER_B		*		1
4	40020189	PULLEY_COVER_C		*		1
5	SL4042091SC	SCREW M4X0.7 L=20				3
6	40016042	SUPPORT_GUIDE_C				1
7	40012144	SUPPORT_GUIDE_A				1
8	40018266	SIDE_GUIDE_B				4
9	SM5040655SN	SCREW				2
10	40019379	KNOB_SCREW				2
11	40011205	STUD				3
12	WP0450826SC	WASHER 4.5X10X0.8				6
13	13525506	GREASE TUBE				1



## HOW TO MAKE USE OF THIS PARTS LIST

1.As to "#01" and "#02" refer to the "Note" given at the bottom of the respective pages.

2.Codes on the "Qty" column

- Each numeral indicates the number of parts required.
- "0.1" and "2.5" indicate the length (in meters) of the respective parts.

3.Parentheses mean that the corresponding part is a subpart that constructs an assembly part.

4.Dotted lines on the Figures indicate assembly parts.

1. リストページの# 0 1、# 0 2の印は、ページ下の"注記"の説明を参照下さい。
2. 数量欄の数字は、個数を表し、0. 1、2. 5等の数値は、長さ（単位メートル）を表します。
3. 数量欄の（ ）は、組部品を構成している子部品であることを意味します。
4. イラストページの-----枠は、組構成であることを意味します。

ALL PARTS NOT MENTIONED IN THIS PARTS LIST ARE SAME AS THOSE OF  
MODEL MF-7700. OTHER PARTS LIST RELATED TO THIS MODEL.  
\*MF-7700 SERIES (NO.1375 PART NO.13370002)

このパーツリスト記載以外の部品はMF-7700と共通です。  
この機種に関連するパーツリストとして下記のパーツリストがあります。  
\*MF-7700シリーズ（NO. 1375 品番13370002）

NUMERICAL INDEX OF PARTS

PART NO	PAGE	REF NO.	PART NO	PAGE	REF NO.	PART NO	PAGE	REF NO.
11212503	4	63	40019666	2	17	WP0612066SP	2	36
13525506	6	13	40019667	2	20	WP0621046SP	4	69
40011171	2	34	40019668	2	42	WP1021016SD	2	60
40011172	2	30	40019994	4	76	WP1021016SD	4	60
40011178	2	40	40020003	4	84	WZ0420350KP	2	28
40011179	2	43	40020004	4	86	WZ0641510KP	2	89
40011180	2	44	40020164	4	72	WZ0641510KP	4	89
40011182	2	19	40020189	6	4			
40011189	4	51	40020190	6	1			
40011190	4	53	40020284	4	83			
40011191	4	57	40020360	2	33			
40011192	4	58	40020532	2	3			
40011195	4	62	40022240	4	88			
40011196	4	64	B3013141H0A	2	9			
40011197	4	67	CS1000881TP	2	4			
40011198	4	66	NM6040002SN	2	27			
40011200	4	73	NM9060610SE	4	70			
40011202	4	87	RE0300000K0	4	71			
40011205	6	11	RE0400000K0	2	41			
40011207	2	12	RE0500000K0	2	37			
40011410	6	2	RE0800000K0	4	59			
40011411	6	3	SB130000500	4	77			
40012144	6	7	SD0600406TP	2	26			
40012262	2	45	SL4041491SC	2	10			
40012263	2	32	SL4042091SC	6	5			
40013671	2	6	SM1040800SP	4	54			
40013672	2	1	SM1041000SP	4	61			
40013673	2	2	SM4030455SP	4	65			
40013674	2	11	SM4030655SP	2	85			
40013679	2	25	SM4030655SP	4	85			
40016042	6	6	SM5040655SN	2	14			
40018261	2	38	SM5040655SN	6	9			
40018265	2	13	SM6040802TP	2	21			
40018266	2	15	SM6041202TP	2	55			
40018266	6	8	SM6041202TP	4	55			
40019379	2	16	SM6042002TP	4	75			
40019379	6	10	SM6051002TP	2	8			
40019606	2	22	SM6061202TP	2	7			
40019609	2	35	SM8040512TP	2	31			
40019620	4	48	SM8050412TP	2	46			
40019621	4	50	SM8050502TP	4	81			
40019622	4	68	SM8050612TP	4	52			
40019629	4	74	SM8051002TP	4	82			
40019636	4	80	WP0430800SC	4	56			
40019637	4	78	WP0450826SC	6	12			