

MODEL : UT33
List No : 1394-04

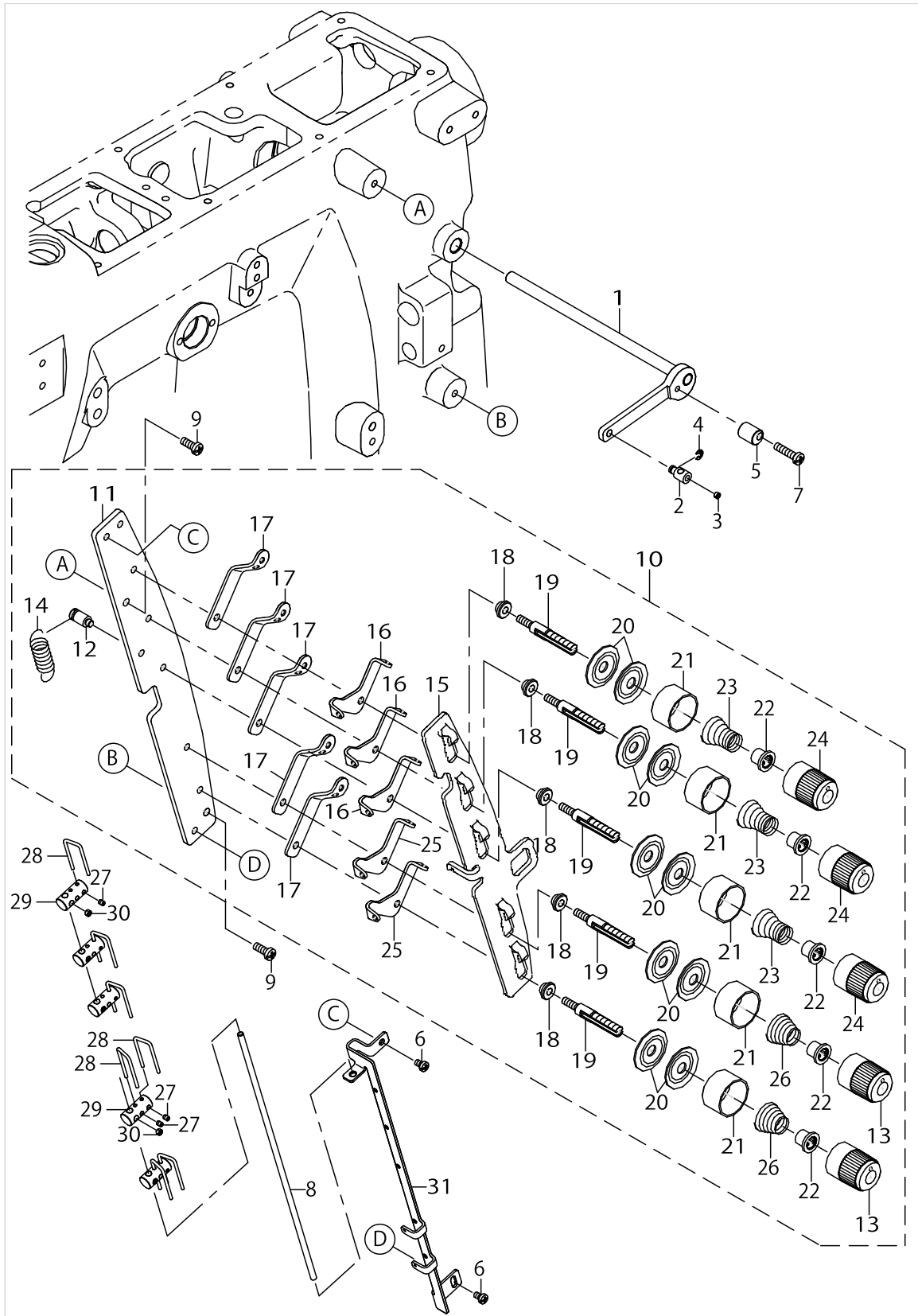
PARTS LIST

Published:09/10/2017

CONTENTS

THREAD TENSION COMPONENTS	1
MISCELLANEOUS COVER COMPONENTS.....	3
LOOPER THREAD TRIMMER COMPONENTS	5
PNEUMATIC DRIVE & PRESSER FEED LIFTER COMPONENTS.....	7
TOP COVER THREAD TRIMMER COMPONENTS	11
ACCESSORIE PART COMPONENTS	13
HOW TO MAKE USE OF THIS PARTS LIST	15

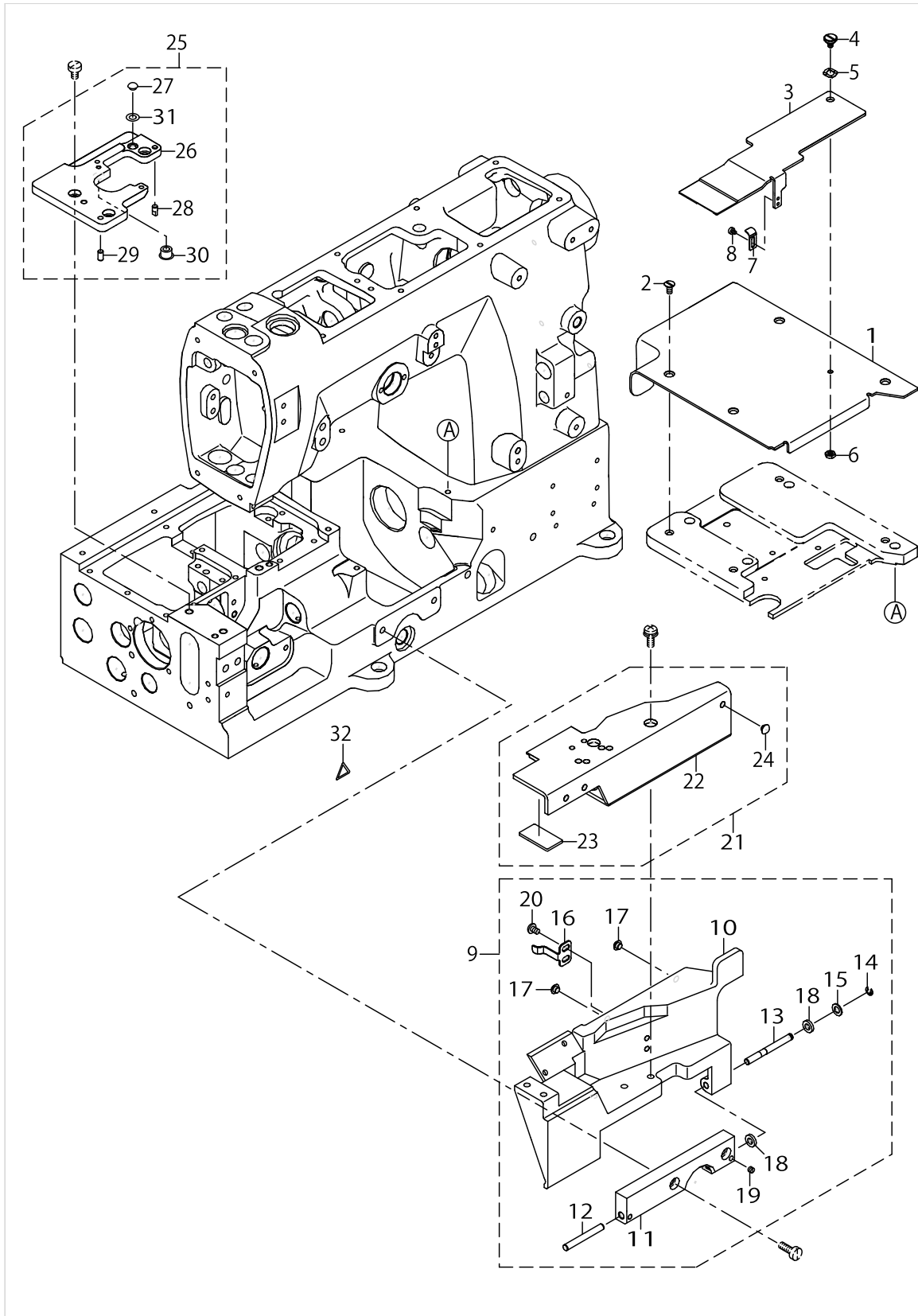
THREAD TENSION COMPONENTS



THREAD TENSION COMPONENTS

No.	Parts No.	Parts name	Remarks	Level	Cons	Qty
1	13456553	PULL_OFF_LEVER_ASSY				1
2	13456405	THD_PULL_OFF_BAR_HOLDER				1
3	SM8040360TP	SCREW				1
4	RE0300000K0	E-RING 3				1
5	40065785	TENS_RELEASE_ADJ_ECC				1
6	SM4040655SP	SCREW M4 L=6				2
7	SM4041655SP	SCREW M4 L=16				1
8	13456108	PULL_OFF_BAR				1
9	SM4041055SP	SCREW				2
10	40066136	THREAD_TENSION_ASSY				1
11	13340203	TENSION POST SUPPORT		*		1
12	13340302	SHOULDER SCREW		*		1
13	40042363	KNOB		*		2
14	B2008372000	THREAD TENSION SPRING		*		1
15	40065784	TENSION_DISC_SEPARATOR		*		1
16	13341607	TENSION_DISC_EYELET_2		*		3
17	13340609	THREAD LEAD IN GUIDE		*		5
18	13340708	SPACER		*		5
19	40042362	TENSION POST		*		5
20	13138201	THREAD TENSION DISK		*		10
21	40042366	THREAD TENSION DISK PRESSER		*		5
22	40042365	SPRING BUSHING		*		5
23	13140504	TENNSION SPRING		*		3
24	40042364	KNOB GREEN		*		3
25	13340500	TENSION DISC EYELET		*		2
26	B3121804000	TENSION SPRING		*		2
27	SM8030412TP	SCREW				7
28	13456603	THD_PULL_OFF_HOOK				7
29	13456207	THD_P_O_HOOK_GUIDE				5
30	SM8040360TP	SCREW				5
31	13456009	THREAD_GUIDE				1

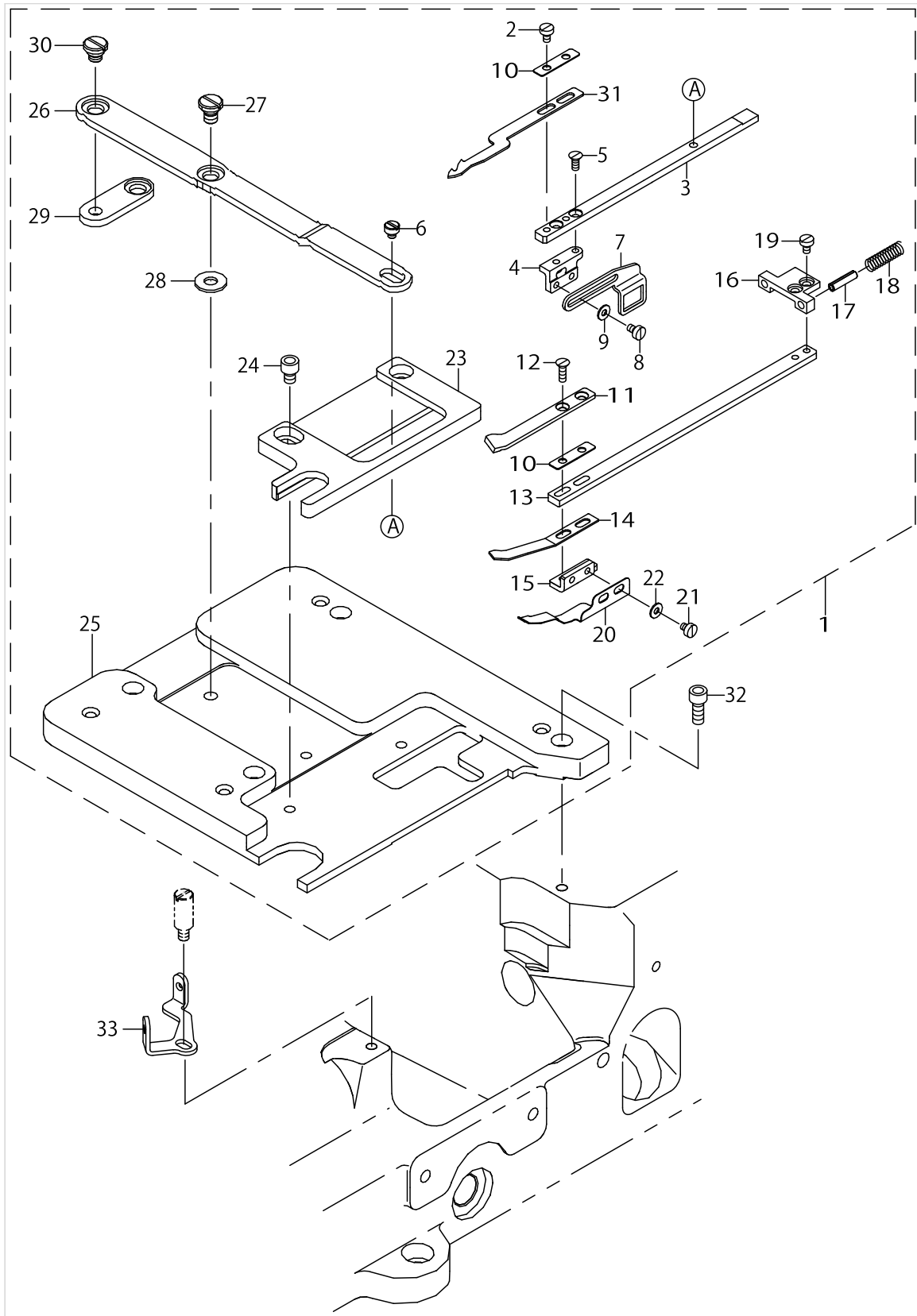
MISCELLANEOUS COVER COMPONENTS



MISCELLANEOUS COVER COMPONENTS

No.	Parts No.	Parts name	Remarks	Level	Cons	Qty
1	40040273	COVER_A_UT				1
2	SM1040800SP	SCREW				4
3	40019325	COVER_B_UT				1
4	SD0600266TP	SHOULDER SCREW D6 H2.6				1
5	WZ0641510KP	WAVED WASHER 6.4X11X0.3				1
6	NM6040003SD	NUT M4				1
7	40019326	LATCH_SPRING_UT				1
8	SM6850300SP	SCREW M2.5 L=3				2
9	40019330	ASSY_SWING_DOWN_COVER_UT				1
10	40019329	SWING_DOWN_COVER_UT		*		1
11	13303508	HINGE		*		1
12	PH0500400C0	PARALLEL PIN		*		1
13	13305206	PIN_FOR_S_D_COVER		*		1
14	RE0300000K0	E-RING 3		*		1
15	WP0550800SP	WASHER 5.5X10X0.8		*		1
16	13304308	LATCH SPRING		*		1
17	13302302	RUBBER BUMPER		*		2
18	13302708	RUBBER_WASHER		*		2
19	SM8040360TP	SCREW		*		2
20	SM4040655SP	SCREW M4 L=6		*		2
21	40019333	ASSY_BRACKET_UT				1
22	40019332	BRACKET_UT		*		1
23	13305305	RUBBER_BOARD		*		1
24	13302302	RUBBER BUMPER		*		1
25	40019327	ASSY_TP_SUPPORT_UT				1
26	13303003	THROAT PLATE SUPPORT		*		1
27	13302302	RUBBER BUMPER		*		1
28	13301908	DOWEL PIN		*		1
29	13302500	DOWEL PIN 2		*		1
30	TA0850604R0	RUBBER PLUG		*		1
31	WP0531000SD	WASHER M5		*		1
32	CM300200001	ATTENTION SEAL				1

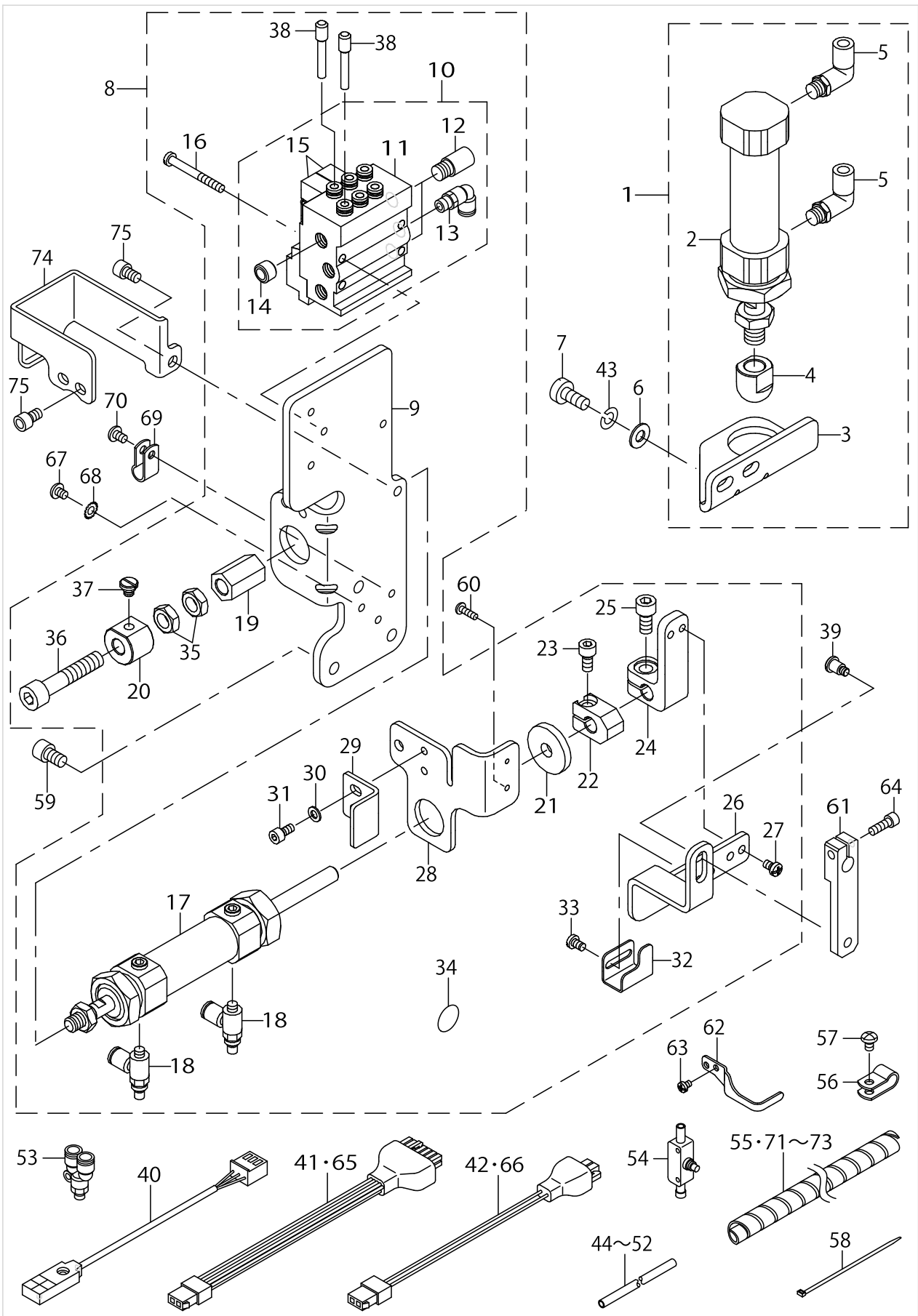
LOOPER THREAD TRIMMER COMPONENTS



LOOPER THREAD TRIMMER COMPONENTS

No.	Parts No.	Parts name	Remarks	Level	Cons	Qty
1	40019336	ASSY_UNDER_TRIMMER_7700				1
2	SM6850400SP	SCREW M2.5 L=4		*		2
3	40019305	LOWER_KNIFE_LEVER_UT		*		1
4	40019306	LOWER_KNIFE_BRACKET_UT		*		1
5	SM1850600SP	SCREW		*		2
6	40019307	LOWER_KNIFE_DRIVE_PIN_UT		*		1
7	40019308	THREAD_TAKE_UP_UT		*		1
8	SM6850400SP	SCREW M2.5 L=4		*		2
9	WP0250516SD	WASHER 2.5X6X0.5		*		2
10	40019309	PLATE_WASHER_UT		*		2
11	40019310	UPPER_KNIFE_UT		*		1
12	SM1850800SP	SCREW M2.5 L=8		*		2
13	40019311	UPPER_KNIFE_LEVER_UT		*		1
14	40019312	KNIFE_SUPPORT_PLATE_UT		*		1
15	40019313	UPPER_KNIFE_BRACKET_UT		*		1
16	40019314	UPPER_KNIFE_STOPPER_UT		*		1
17	PS0300122KH	SPRING PIN 3X12		*		2
18	B1214038000	PLUNGER SPRING		*		2
19	SM6850400SP	SCREW M2.5 L=4		*		2
20	40019315	THREAD_CLAMP_UT		*		1
21	SM6850300SP	SCREW M2.5 L=3		*		2
22	WP0250516SD	WASHER 2.5X6X0.5		*		2
23	40019316	KNIFE_LEVER_GUIDE_UT		*		1
24	SM6040502TP	SCREW M4X0.7 L=5		*		2
25	40019317	CLOTH_PLATE_RIGHT_UT		*		1
26	40019318	LEVER_UT		*		1
27	SD0600206TP	SHOULDER SCREW		*		1
28	B322877100B	BOBBIN WINDER SPACER		*		1
29	40019319	LINK_UT		*		1
30	SD0640216TP	SHOULDER SCREW		*		1
31	40019304	LOWER_KNIFE_UT		*		1
32	SM6041002TP	SCREW M4 L=10				4
33	40019323	THREAD_GUIDE_UT				1

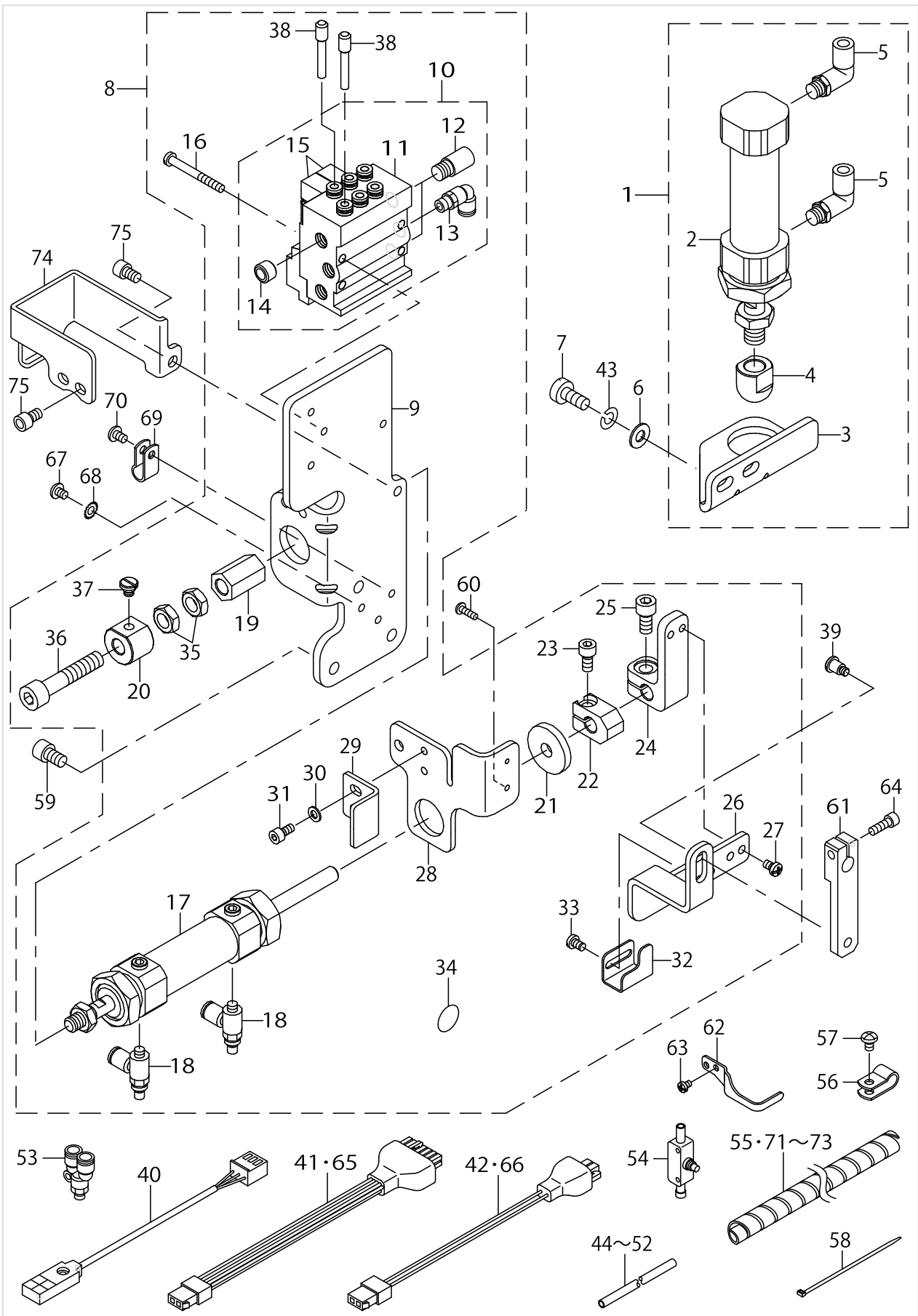
PNEUMATIC DRIVE & PRESSER FEED LIFTER COMPONENTS



PNEUMATIC DRIVE & PRESSER FEED LIFTER COMPONENTS

No.	Parts No.	Parts name	Remarks	Level	Cons	Qty
1	40018079	PNEUMATIC_P_F_LIFTER_ASSY				1
2	PA2503004A0	AIR CYLINDER		*		1
3	13455001	AIR_CYLINDER_BRACKET		*		1
4	13455100	AIR_CYLINDER_CAP		*		1
5	PJ304045102	ELBOW UNION, C		*		2
6	WP0621016SD	WASHER 6.2X13X1				2
7	SM6061400SP	SCREW M6 L=14				2
8	40019337	ASSY_PNEUMATIC_DRIVE_7700				1
9	13442504	AIR_CYLINDER_BRACKET		*		1
10	40072396	MANIFOLD_VALVE_ASSY		*		1
11	PV035161000	MANIFOLD		*		1
12	PX055104000	SILENCER (PT1/8)		*		2
13	PJ304065101	ELBOW UNION 6XPT1/8		*		1
14	PJ025100002	PLUG R1/8		*		3
15	PV150103200	5-PORT SOKENOID VALVE		*		2
16	SM4043555SP	SCREW		*		2
17	PA2001802A0	AIR CYLINDER		*		1
18	PC010508000	SPEED CONTROLLER		*		2
19	40019321	JOINT_B_UT		*		1
20	40019320	JOINT_A_UT		*		1
21	13443601	WASHER		*		1
22	13442900	COLLAR		*		1
23	SM6051002TP	SCREW M5X0.8 L=10		*		1
24	13443007	PLATE HOLDER		*		1
25	SM6061202TP	SCREW M6 L=12		*		1
26	40019322	TENS_RELEASE_PLATE_UT		*		1
27	SM4040655SP	SCREW M4 L=6		*		2
28	13442801	SENSOR HOLDER		*		1
29	13443700	SUPPORT_PLATE_UT		*		1
30	WP0430800SC	WASHER M4		*		2
31	SM6040802TP	SCREW M4X0.7 L=8		*		2
32	13443205	SWITCH_PLATE		*		1
33	SM4040655SP	SCREW M4 L=6		*		2
34	22901805	GROUND MARK		*		1
35	NM6080003SD	NUT M8		*		2
36	SM6084002TN	SCREW M8 L=40		*		1
37	SD0640216TP	SHOULDER SCREW		*		1
38	PX500014000	PLUG		*		2
39	SD0700706TP	SHOULDER SCREW				1
40	40021746	UNDER_TRIMMER_SENSOR_CABLE_ASM				1
41	40018084	UNDER_TRIMMER_CABLE_ASM	FOR SC-500			1
42	40018085	LIFT_UP_CABLE_ASM	FOR SC-500			1
43	WS0610002KP	SPRING WASHER				2
44	BT0400251EB	URETHANE HOSE, BLACK				0.27
45	BT0400251EB	URETHANE HOSE, BLACK				0.32
46	BT0400251EB	URETHANE HOSE, BLACK				0.08
47	BT0400251EB	URETHANE HOSE, BLACK				0.08

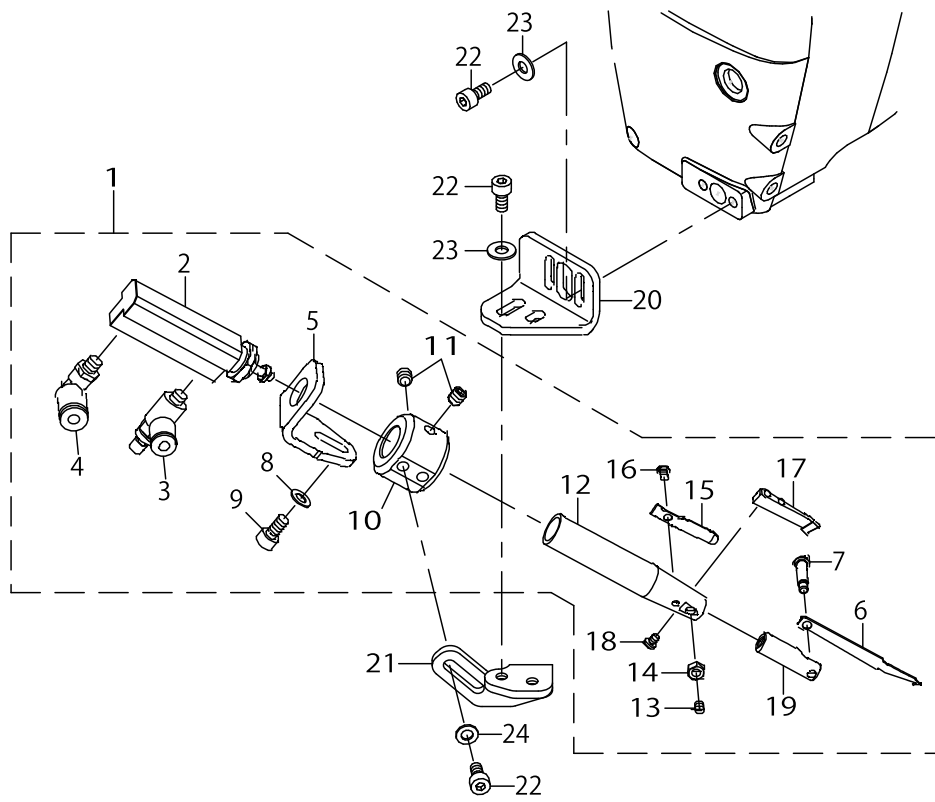
PNEUMATIC DRIVE & PRESSER FEED LIFTER COMPONENTS



PNEUMATIC DRIVE & PRESSER FEED LIFTER COMPONENTS

No.	Parts No.	Parts name	Remarks	Level	Cons	Qty
48	BT0400251EB	URETHANE HOSE, BLACK				0.42
49	BT0400251EB	URETHANE HOSE, BLACK				0.23
50	BT0400251EB	URETHANE HOSE, BLACK				0.63
51	BT0400251EB	URETHANE HOSE, BLACK				0.3
52	BT0400251EB	URETHANE HOSE, BLACK				0.22
53	PJ308040006	UNION				2
54	PC012401000	SPEED CONTROLLER				1
55	HX00314000A	SPIRAL TUBE				0.6
56	HX00150000B	CABLE CLIP				2
57	SM4040655SP	SCREW M4 L=6				2
58	EA9500B0100	CABLE BAND				3
59	SM6061002TP	SCREW M6 L=10				3
60	SM4031001SN	SCREW				1
61	13443304	TENSION_RELEASE_LEVER				1
62	40018259	FINGER_GUARD				1
63	SM4030455SP	SCREW				2
64	SM6041202TP	SCREW M4X0.7 L=12				1
65	40027211	UNDER_TRIMMER_CABLE_B_ASM.	FOR SC-510			1
66	40027213	LIFT_UP_CABLE_B_ASM.	FOR SC-510			1
67	WT0430002KN	WASHER M4				1
68	SM4040501SN	SCREW M4X0.7 L=5				1
69	HX00150000B	CABLE CLIP				1
70	SM4040655SP	SCREW M4 L=6				1
71	HX003140000	SPIRAL TUBE				0.96
72	HX00314000D	SPIRAL TUBE				0.12
73	HX00314000D	SPIRAL TUBE				0.1
74	40069703	SOLENOIDE_COVER				1
75	SM6050802TP	SCREW M5X0.8 L=8				3

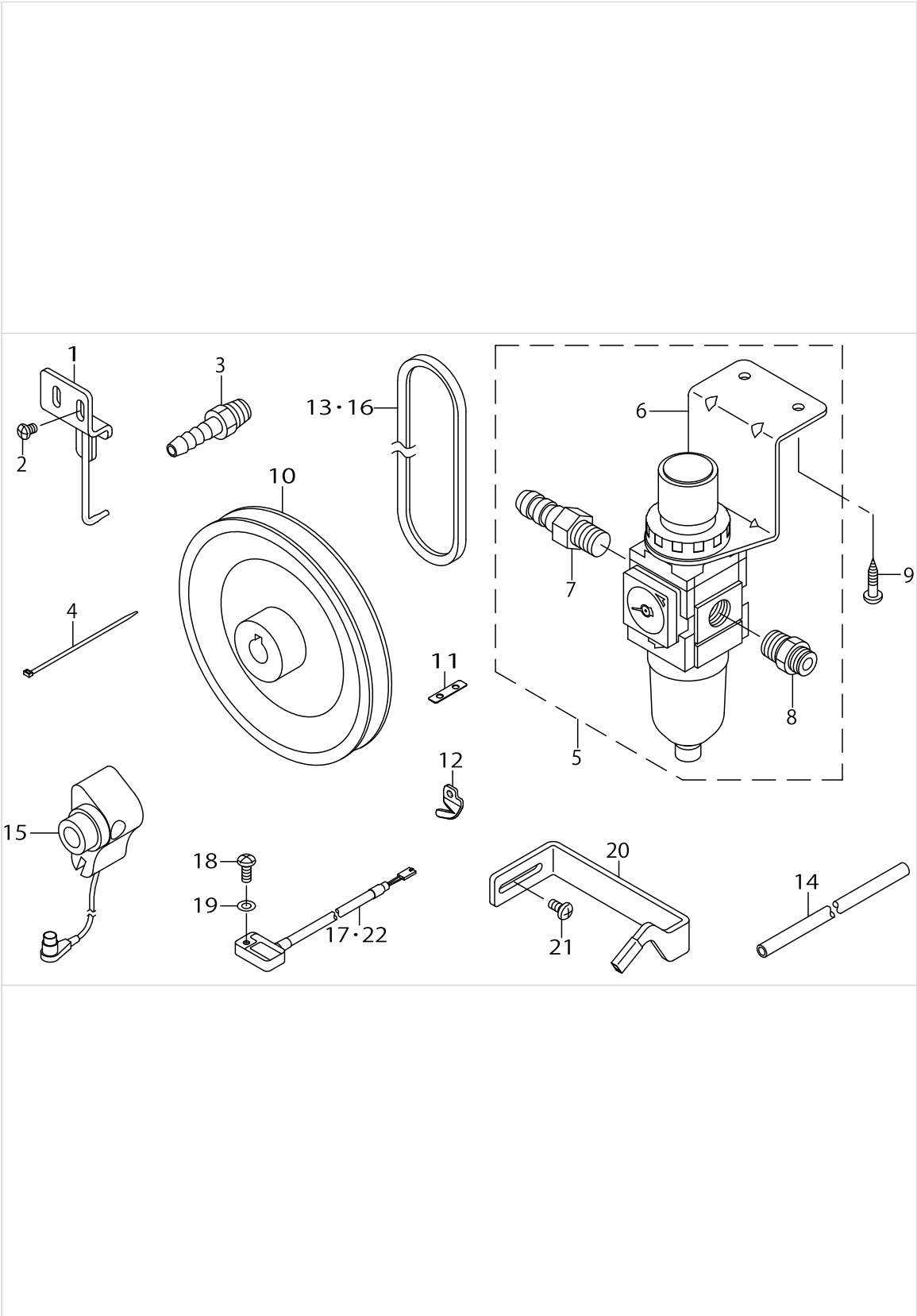
TOP COVER THREAD TRIMMER COMPONENTS



TOP COVER THREAD TRIMMER COMPONENTS

No.	Parts No.	Parts name	Remarks	Level	Cons	Qty
1	40021279	U_L_THREAD_TRIMMER_ASSY				1
2	PA0602006A0	AIR CYLINDER		*		1
3	PC010508000	SPEED CONTROLLER		*		1
4	PJ304040504	ELBOW UNION		*		1
5	13459300	AIR_CYLINDER_BRACKET		*		1
6	40058211	MOVING_KNIFE		*		1
7	13458104	SHOULDER_SCREW		*		1
8	WP0430800SC	WASHER M4		*		2
9	SM6040802TN	SCREW		*		2
10	13458203	COLLAR		*		1
11	SM8050512TP	SCREW		*		2
12	13458302	KNIFE HOLDER		*		1
13	SM8030450SP	SCREW M3 L=4		*		1
14	NM6030001SD	NUT M3X0.5		*		1
15	13458401	SPRING		*		1
16	SM4850455SP	SCREW		*		1
17	40029004	FIXED_KNIFE		*		1
18	SM4850455SP	SCREW		*		2
19	13458005	MOVING_KNIFE HOLDER		*		1
20	40050570	BRACKET_2				1
21	40050569	BRACKET				1
22	SM6040802TN	SCREW				6
23	WP0450826SC	WASHER 4.5X10X0.8				4
24	WP0430800SC	WASHER M4				2

ACCESSORIE PART COMPONENTS



ACCESSORIE PART COMPONENTS

No.	Parts No.	Parts name	Remarks	Level	Cons	Qty
1	13442058	AIR_BLOW_TUBE_ASSY				1
2	SM4040655SP	SCREW M4 L=6				2
3	PJ032526001	HOSE NIPPLE				1
4	EA9500B0100	CABLE BAND				4
5	40018052	FILTER_REGULATOR_ASSY				1
6	PF0552070C0	FILTER GEGULATOR		*		1
7	F1021003000	HOSE JOINT		*		1
8	PJ301065201	HALF UNION 6XPT1/4		*		1
9	SK3452001SE	WOOD SCREW D=4.5 L=20				2
10	MTSP0115000A	MOTOR PULLEY	FOR SC-510			1
11	40019309	PLATE_WASHER_UT				1
12	13316302	THREAD_TRIMMER				1
13	MTJVM003600	V-BELT, 36 INCH	FOR SC-510			1
14	BT0600401EB	TUBE				2
15	40026920	SYNCHRONIZER ASM.	FOR SC-500,510			1
16	MTJVM003500	V-BELT, 35 INCH	FOR SC-500			1
17	40021727	RESISTOR PACK BL ASM.	FOR MF-7700(SC-500)			1
18	SM4041055SP	SCREW	FOR SC-500			1
19	WP0430800SD	WASHER M4	FOR SC-500			1
20	40082313	STOPPER ASM	FOR SC-500,510			1
21	SM4040855SP	SCREW				2
22	40083598	RESISTOR PACK AA ASM.	FOR MF-7700D(SC-500)			1

HOW TO MAKE USE OF THIS PARTS LIST

- 1.As to "#01" and "#02" refer to the "Note" given at the bottom of the respective pages.
- 2.Codes on the "Qty" column
 - Each numeral indicates the number of parts required.
 - "0.1" and "2.5" indicate the length (in meters) of the respective parts.
- 3.Parentheses mean that the corresponding part is a subpart that constructs an assembly part.
- 4.Dotted lines on the Figures indicate assembly parts.

ALL PARTS NOT MENTIONED IN THIS PARTS LIST ARE SAME AS THOSE OF
MODEL MF-7700. OTHER PARTS LIST RELATED TO THIS MODEL.
*MF-7700 SERIES (NO.1375 PART NO.13370002)

NUMERICAL INDEX OF PARTS

PART NO	PAGE	REF NO.	PART NO	PAGE	REF NO.	PART NO	PAGE	REF NO.
13138201	2	20	40018085	8	42·66	40050569	12	21
13140504	2	23	40018259	10	62	40050570	12	20
13301908	4	28	40019304	6	31	40058211	12	6
13302302	4	27	40019305	6	3	40065784	2	15
13302500	4	29	40019306	6	4	40065785	2	5
13302708	4	18	40019307	6	6	40066136	2	10
13303003	4	26	40019308	6	7	40069703	10	74
13303508	4	11	40019309	6	10	40072396	8	10
13304308	4	16	40019309	14	11	40082313	14	20
13305206	4	13	40019310	6	11	40083598	14	17·22
13305305	4	23	40019311	6	13	B1214038000	6	18
13316302	14	12	40019312	6	14	B2008372000	2	14
13340203	2	11	40019313	6	15	B3121804000	2	26
13340302	2	12	40019314	6	16	B322877100B	6	28
13340500	2	25	40019315	6	20	BT0400251EB	8	44~52
13340609	2	17	40019316	6	23	BT0400251EB	10	44~52
13340708	2	18	40019317	6	25	BT0600401EB	14	14
13341607	2	16	40019318	6	26	CM300200001	4	32
13442058	14	1	40019319	6	29	EA9500B0100	10	58
13442504	8	9	40019320	8	20	EA9500B0100	14	4
13442801	8	28	40019321	8	19	F1021003000	14	7
13442900	8	22	40019322	8	26	HX00150000B	10	69
13443007	8	24	40019323	6	33	HX003140000	10	55·71~ 73
13443205	8	32	40019325	4	3	HX00314000A	10	55·71~ 73
13443304	10	61	40019326	4	7	HX00314000D	10	55·71~ 73
13443601	8	21	40019327	4	25	MTJVM003500	14	13·16
13443700	8	29	40019329	4	10	MTJVM003600	14	13·16
13455001	8	3	40019330	4	9	MTSP0115000A	14	10
13455100	8	4	40019332	4	22	NM6030001SD	12	14
13456009	2	31	40019333	4	21	NM6040003SD	4	6
13456108	2	8	40019336	6	1	NM6080003SD	8	35
13456207	2	29	40019337	8	8	PA0602006A0	12	2
13456405	2	2	40021279	12	1	PA2001802A0	8	17
13456553	2	1	40021727	14	17·22	PA2503004A0	8	2
13456603	2	28	40021746	8	40	PC010508000	8	18
13458005	12	19	40026920	14	15	PC010508000	12	3
13458104	12	7	40027211	10	41·65	PC012401000	10	54
13458203	12	10	40027213	10	42·66	PF0552070C0	14	6
13458302	12	12	40029004	12	17	PH0500400C0	4	12
13458401	12	15	40040273	4	1	PJ025100002	8	14
13459300	12	5	40042362	2	19	PJ032526001	14	3
22901805	8	34	40042363	2	13	PJ301065201	14	8
40018052	14	5	40042364	2	24	PJ304040504	12	4
40018079	8	1	40042365	2	22			
40018084	8	41·65	40042366	2	21			

NUMERICAL INDEX OF PARTS

PART NO	PAGE	REF NO.	PART NO	PAGE	REF NO.
PJ304045102	8	5	SM6850300SP	6	21
PJ304065101	8	13	SM6850400SP	6	19
PJ308040006	10	53	SM8030412TP	2	27
PS0300122KH	6	17	SM8030450SP	12	13
PV035161000	8	11	SM8040360TP	2	30
PV150103200	8	15	SM8040360TP	4	19
PX055104000	8	12	SM8050512TP	12	11
PX500014000	8	38	TA0850604R0	4	30
RE0300000K0	2	4	WP0250516SD	6	22
RE0300000K0	4	14	WP0430800SC	8	30
SD0600206TP	6	27	WP0430800SC	12	24
SD0600266TP	4	4	WP0430800SD	14	19
SD0640216TP	6	30	WP0450826SC	12	23
SD0640216TP	8	37	WP0531000SD	4	31
SD0700706TP	8	39	WP0550800SP	4	15
SK3452001SE	14	9	WP0621016SD	8	6
SM1040800SP	4	2	WS0610002KP	8	43
SM1850600SP	6	5	WT0430002KN	10	67
SM1850800SP	6	12	WZ0641510KP	4	5
SM4030455SP	10	63			
SM4031001SN	10	60			
SM4040501SN	10	68			
SM4040655SP	2	6			
SM4040655SP	4	20			
SM4040655SP	8	70			
SM4040655SP	10	70			
SM4040655SP	14	2			
SM4040855SP	14	21			
SM4041055SP	2	9			
SM4041055SP	14	18			
SM4041655SP	2	7			
SM4043555SP	8	16			
SM4850455SP	12	18			
SM6040502TP	6	24			
SM6040802TN	12	22			
SM6040802TP	8	31			
SM6041002TP	6	32			
SM6041202TP	10	64			
SM6050802TP	10	75			
SM6051002TP	8	23			
SM6061002TP	10	59			
SM6061202TP	8	25			
SM6061400SP	8	7			
SM6084002TN	8	36			
SM6850300SP	4	8			