

MODEL : AMB-289

List No : 1392-10

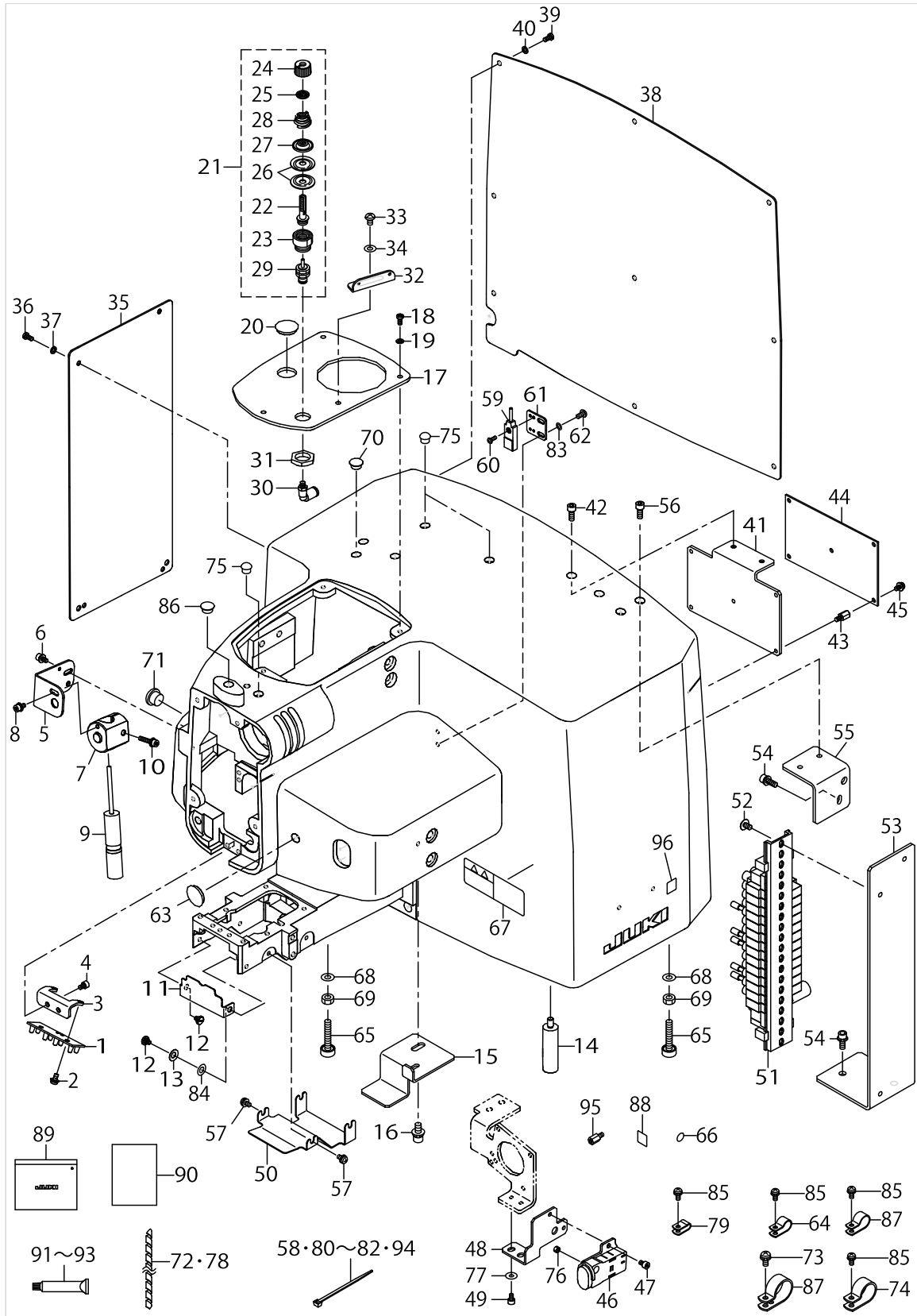
PARTS LIST

Published:09/10/2017

CONTENTS

FRAME & MISCELLANEOUS COVER COMPONENTS (1)	1
FRAME & MISCELLANEOUS COVER COMPONENTS (2)	7
MAIN SHAFT COMPONENTS (1)	11
MAIN SHAFT COMPONENTS (2)	15
THREAD TRIMMER COMPONENTS	19
THREAD HOOK & THREAD TENSION COMPONENTS	21
COUNTER BUTTON CLAMP & CLOTH PRESSER COMPONENTS.....	25
UPPER FEED COMPONENTS.....	29
UNDER FEED COMPONENTS	31
UP DOWN FEED & DIFF FEED COMPONENTS.....	35
WIPER COMPONENTS.....	39
TANG COMPONENTS.....	41
CHUCK COMPONENTS.....	43
LOADER COMPONENTS	47
CONTROL BOX COMPONENTS	49
OPERATION PANEL COMPONENTS	55
WIRING DIAGRAM COMPONENTS.....	57
ACCESSORIE PART COMPONENTS (1).....	61
ACCESSORIE PART COMPONENTS (2).....	65
THREAD STAND COMPONENTS.....	67
OPTION COMPONENTS (1) (TABLE)	69
OPTION COMPONENTS (2)	71
LIST FOR INFORMATION OF CHANGE.....	75
HOW TO MAKE USE OF THIS PARTS LIST	76

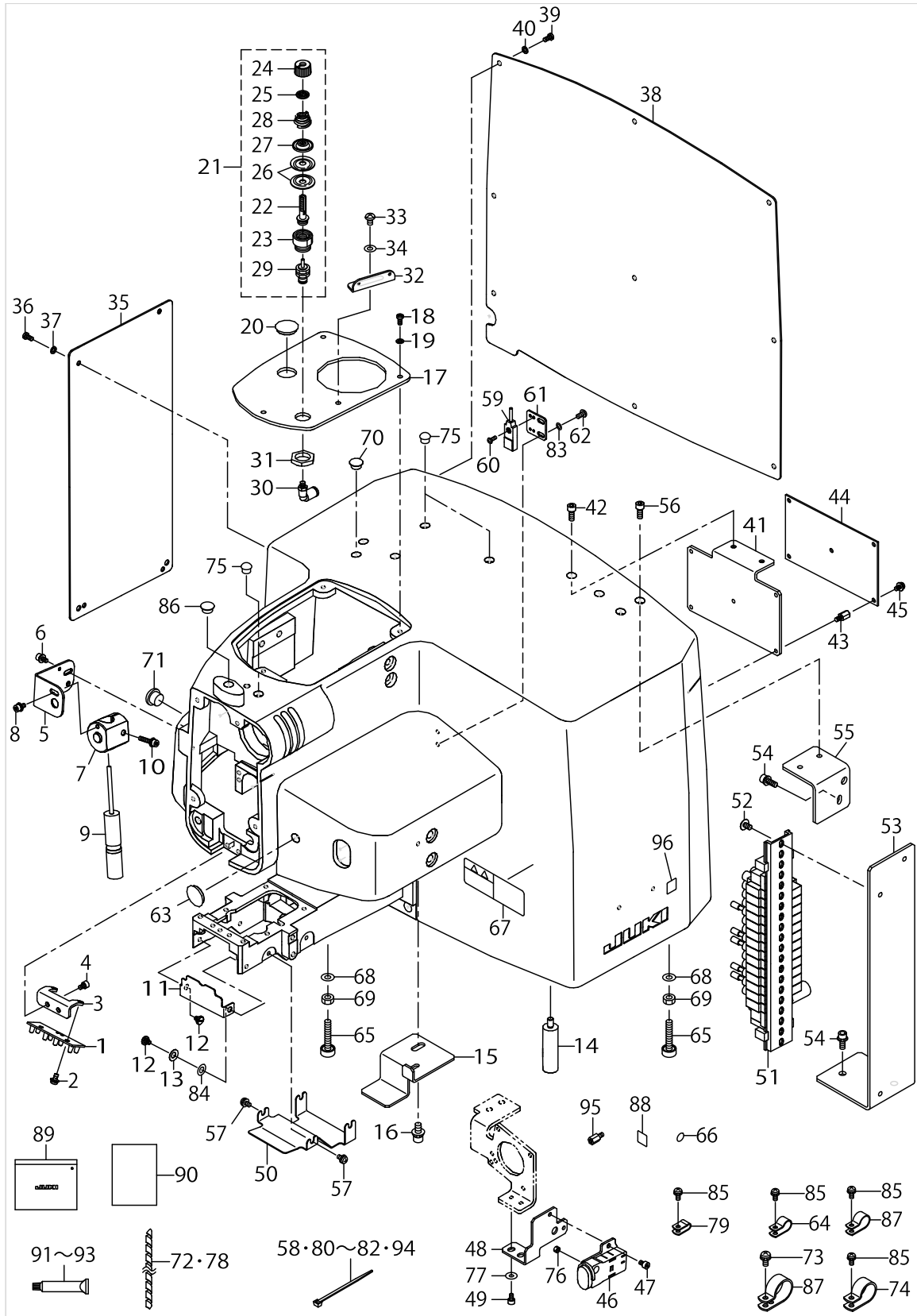
FRAME & MISCELLANEOUS COVER COMPONENTS (1)



FRAME & MISCELLANEOUS COVER COMPONENTS (1)

No.	Parts No.	Parts name	Remarks	Level	Cons	Qty
1	40018377	LED PCB ASSY				1
2	SL4040891SC	SCREW M4 L=8				2
3	40020993	LED_STAY				1
4	SM6040602TP	SCREW M4 L=6				2
5	40020994	LIGHT_STAY				1
6	SL6040892TN	BOLT				2
7	40020995	LIGHT_BUSH				1
8	SL6040892TN	BOLT				1
9	40019209	LIGHT MARKING PROJECTOR				1
10	SL6042092TN	SCREW M4 L=20				1
11	40020996	LOOPER_COVER				1
12	SD0600208TP	SHOULDER SCREW				2
13	WZ0640200KP	WAVE WASHER				1
14	MAV04611000	BASE FLOAT PIN				2
15	40020997	PLATE_STUD				1
16	SL6061492TN	BOLT				1
17	40020998	UPPER_COVER				1
18	SM4040855SP	SCREW				3
19	WP0450846SP	WASHER				3
20	TA2050406R0	RUBBER PLUG				1
21	G23013090A0	THREAD TENSION ASM.				1
22	G2301309000	THREAD TENSION ROD		*		1
23	G2302309000	THREAD TENSION ROD BASE		*		1
24	11072204	TENSION NUT		*		1
25	B3120125000	ROTATING STOPPER		*		1
26	B3126012000	THREAD TENSION DISK		*		2
27	B3132552000	THREAD TENSION DISK PRESSER		*		1
28	B3121352000	TENSION SPRING		*		1
29	PA0600504A0	AIR CYLINDER		*		1
30	PJ304040504	ELBOW UNION				1
31	NM6160511SE	NUT M16X1.5				1
32	26021402	THREAD GUIDE NO.1				1
33	SM4050855SP	SCREW M5 L=8				1
34	WP0550836SC	WASHER 5.5X12X0.8				1
35	40020999	SIDE_COVER				1
36	SM4040855SP	SCREW				4
37	WP0450846SP	WASHER				4
38	40021000	REAR_COVER_PLATE				1
39	SM4040855SP	SCREW				9
40	WP0450846SP	WASHER				9
41	40021001	INT_PCB_STAY				1
42	SM6051202TN	SCREW M5X0.8 L=12				2
43	D5124206K0K	SPACER				5
44	40012197	INT PCB ASSY				1
45	SL4040891SC	SCREW M4 L=8				5
46	32002354	SWITCH ASM.				1
47	SM6040602TP	SCREW M4 L=6				2

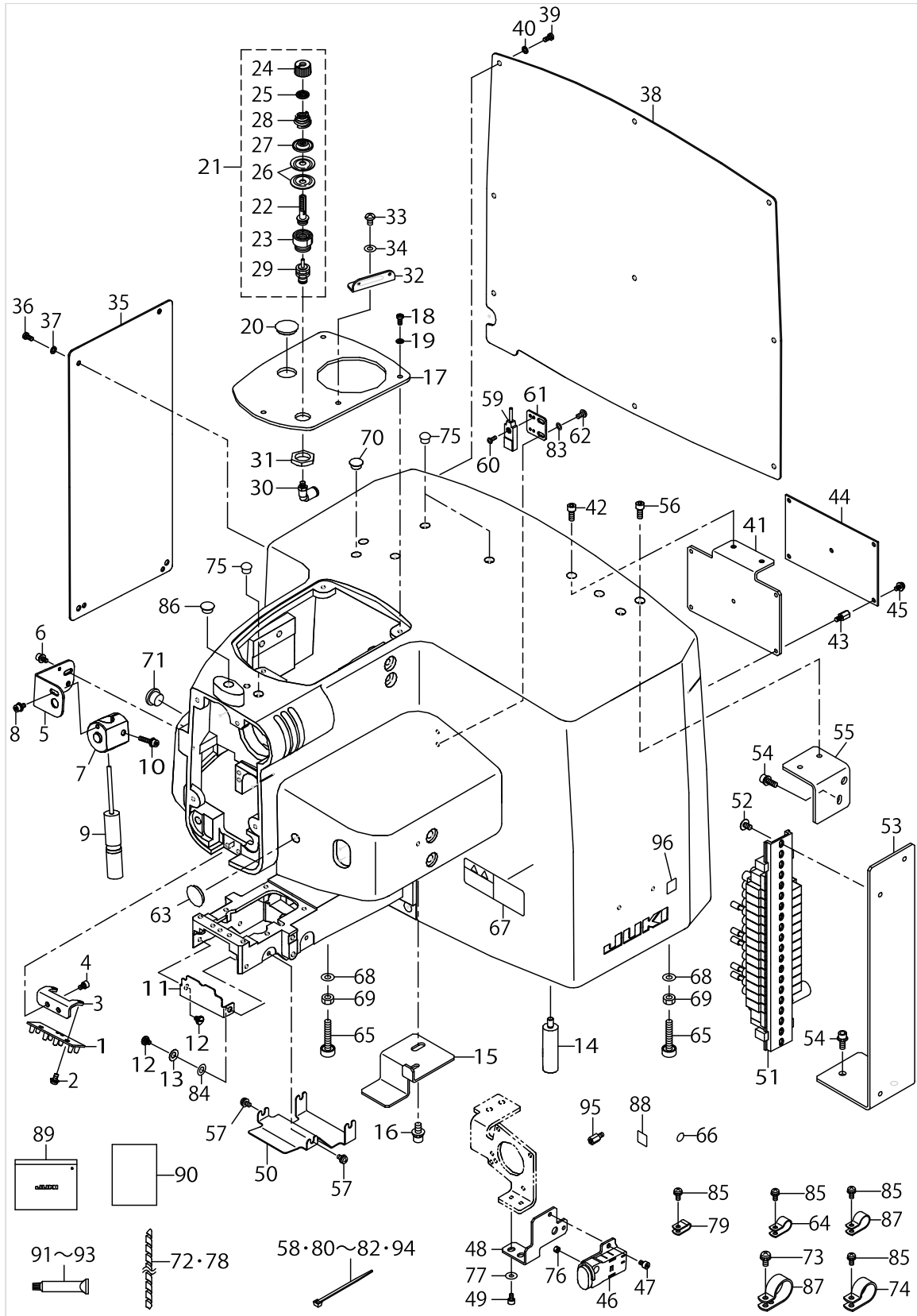
FRAME & MISCELLANEOUS COVER COMPONENTS (1)



FRAME & MISCELLANEOUS COVER COMPONENTS (1)

No.	Parts No.	Parts name	Remarks	Level	Cons	Qty
48	40021005	SW_STAY				1
49	SM6040602TP	SCREW M4 L=6				2
50	40020988	LOOPER_UNDER_COVER				1
51	40021002	SOLENOID_VALVE_ASSY				1
52	SM0050801SC	SCREW				2
53	40021003	SOLENOID_VALVE_PLATE_A				1
54	SL6051492TN	BOLT				3
55	40021004	SOLENOID_VALVE_PLATE_B				1
56	SM6051202TN	SCREW M5X0.8 L=12				2
57	SL4040891SC	SCREW M4 L=8				4
58	HX002920000	BAND				1
59	40019201	SAFETY SWITCH ASSY				1
60	SM4030855SN	SCREW M3 L=8.0				1
61	40020890	UP_DOWN_SENSOR_PLATE				1
62	SM4040855SP	SCREW				2
63	TA2050406R0	RUBBER PLUG				1
64	HX00150000D	CABLE CLIP				2
65	GAK01003B00	PRESSER LIFTER STOPPER B				2
66	E9567319000	EARTH MARK				1
67	CM301300001	SAFETY LABEL				1
68	WP0612056SD	WASHER 6.1X18.5X2				2
69	NM6060001SC	NUT M6				2
70	TA1050504R0	RUBBER PLUG				1
71	40107892	RUBBER_CAP				1
72	HX00314000A	SPIRAL TUBE				0.2
73	SL4051291SC	SCREW M5X0.8 L=12				1
74	HX00150000K	CABLE CLIP				1
75	TA0850604R0	RUBBER PLUG				3
76	NS6110310SP	NUT 11/64-40				1
77	WP0431005SP	PLAIN WASHER 4.3X12X1				2
78	HX003140000	SPIRAL TABE				0.5
79	HX00150000A	CABLE CLAMP				1
80	EA9500B0100	CABLE BAND				20
81	EA9500B0200	CABLE BAND 150				7
82	EA9500B0200	CABLE BAND 150				5
83	WP0450846SP	WASHER				2
84	E3080855000	S SHIM (0.4)				1
85	SL4041091SC	SCREW M4 L=10				7
86	TA1050504R0	RUBBER PLUG				1
87	HX00150000F	CABLE CLIP				4
88	CM600100101	WEEE MARK LABEL S				1
89	22932800	ACCESSORIE BAG				1
90	40020584	GREASING_MANUAL_AMB-289				1
91	13525506	GREASE TUBE				1
92	40006323	JUKI GREASE A TUBE				1
93	40013640	JUKI_GREASE_B_TUBE				1
94	HX002920000	BAND				1

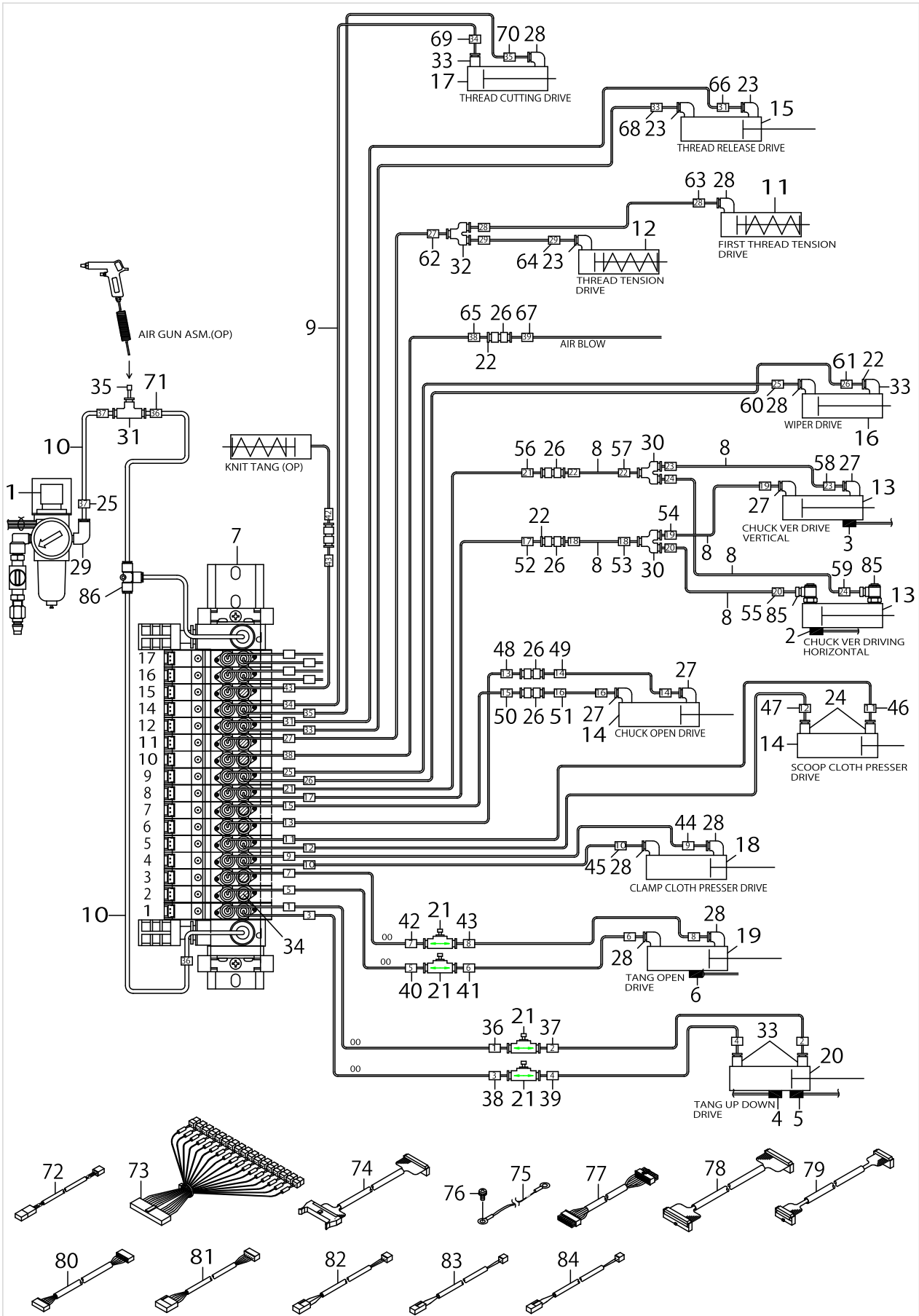
FRAME & MISCELLANEOUS COVER COMPONENTS (1)



FRAME & MISCELLANEOUS COVER COMPONENTS (1)

No.	Parts No.	Parts name	Remarks	Level	Cons	Qty
95	D5124206K0K	SPACER				1
96	40116677	GOST_SAFTY_LABEL_S				1

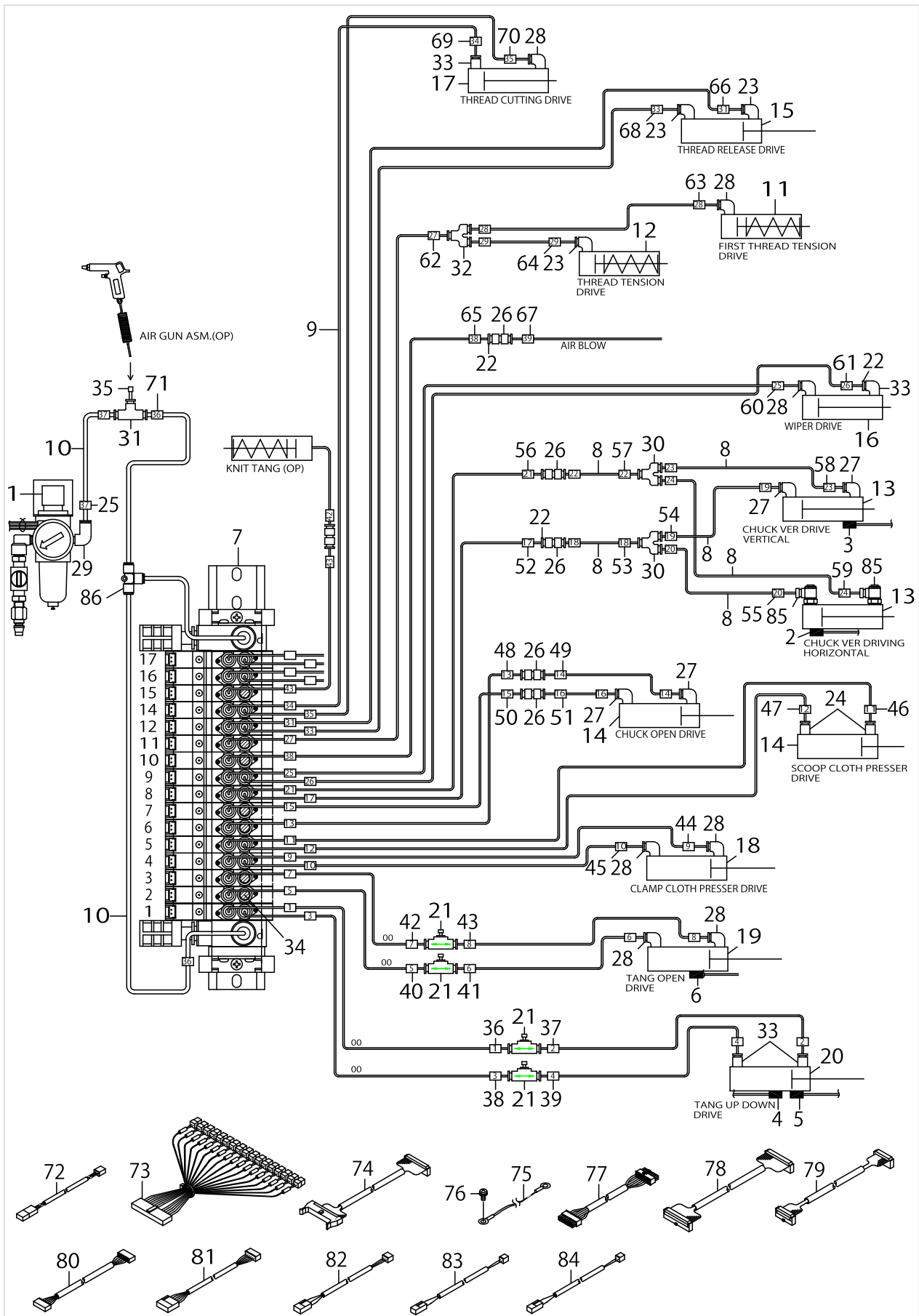
FRAME & MISCELLANEOUS COVER COMPONENTS (2)



FRAME & MISCELLANEOUS COVER COMPONENTS (2)

No.	Parts No.	Parts name	Remarks	Level	Cons	Qty
1	40019187	FILTER REGULATOR				1
2	40019195	CHUCK HOR SWITCH ASSY				1
3	40019196	CHUCK VER SWITCH ASSY				1
4	40019197	FEED UP SWITCH ASSY				1
5	40019198	FEED DOWN SWITCH ASSY				1
6	40019199	TONGUE OPEN SWITCH ASSY				1
7	40021002	SOLENOID_VALVE_ASSY				1
8	BT0180101EB	TUBE HOSE				1
9	BT0400251EB	URETHANE HOSE BLACK				12
10	BT0800501EB	VINYL TUBE				2
11	G23013090A0	THREAD TENSION ASM.				1
12	PA0600504A0	AIR CYLINDER				1
13	PA0801501A0	AIR CYLINDER				2
14	PA1002010A0	AIR CYLINDER				2
15	PA1002011A0	AIR CYLINDER				1
16	PA1007502A0	AIR CYLINDER				1
17	PA1502502A0	AIR CYLINDER				1
18	PA1602006B0	AIR CYLINDER				1
19	PA1603014A0	AIR CYLINDER				1
20	PA2001506A0	AIR CYLINDER				1
21	PC012406000	SPEED CONTROLLER				4
22	PC022403E00	INSERT RING				3
23	PJ046052503	HOSE ELBOW				3
24	PJ210304010	HALF UNION				2
25	18038604	WIRE MARK (37)				4
26	PJ303040005	UNION				5
27	PJ304020301	ELBOW				4
28	PJ304040504	ELBOW UNION				7
29	PJ304085101	ELBOW UNION				1
30	PJ305020001	T-JOINT				2
31	PJ305080001	PIPE TEE				1
32	PJ308040002	QUICK COUPLING				1
33	PJ301040502	HALF UNION 4XM5				4
34	PX500014000	PLUG				6
35	PX950001000	PLUG				1
36	18035006	CABLE MARK NO.1				4
37	18035105	WIRE MARK (2)				4
38	18035204	WIRE MARK (3)				4
39	18035303	WIRE MARK (4)				4
40	18035402	WIRE MARK (5)				4
41	18035501	WIRE MARK (6)				4
42	18035600	WIRE MARK (7)				4
43	18035709	WIRE MARK (8)				4
44	18035808	WIRE MARK (9)				4
45	18035907	WIRE MARK (10)				4
46	18036004	WIRE MARK				4
47	18036103	WIRE MARK (12)				4

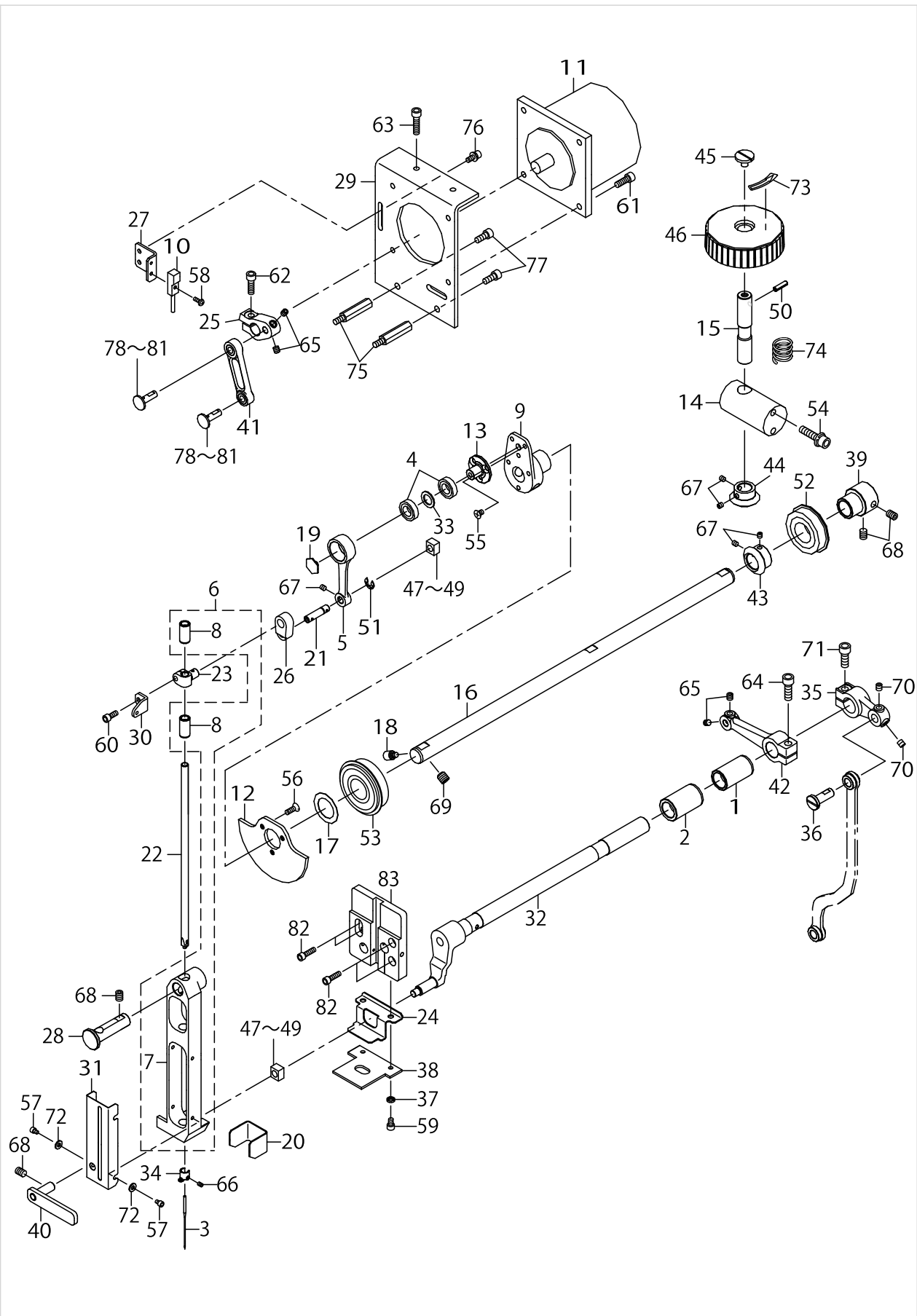
FRAME & MISCELLANEOUS COVER COMPONENTS (2)



FRAME & MISCELLANEOUS COVER COMPONENTS (2)

No.	Parts No.	Parts name	Remarks	Level	Cons	Qty
48	18036202	WIRE MARK (13)				4
49	18036301	WIRE MARK (14)				4
50	18036400	WIRE MARK (15)				4
51	18036509	WIRE MARK (16)				4
52	18036608	WIRE MARK (17)				4
53	18036707	WIRE MARK (18)				4
54	18036806	WIRE MARK (19)				4
55	18036905	WIRE MARK (20)				4
56	18037002	WIRE MARK (21)				4
57	18037101	WIRE MARK (22)				4
58	18037200	WIRE MARK (23)				4
59	18037309	WIRE MARK (24)				4
60	18037408	WIRE MARK (25)				4
61	18037507	WIRE MARK 26				4
62	18037606	WIRE MARK 27				4
63	18037705	WIRE MARK (28)				4
64	18037804	WIRE MARK (29)				4
65	18038703	WIRE MARK (38)				4
66	18038000	WIRE MARK (31)				4
67	18038802	WIRE MARK (39)				4
68	18038208	WIRE MARK (33)				4
69	18038307	WIRE MARK (34)				4
70	18038406	WIRE MARK (35)				4
71	18038505	WIRE MARK (36)				4
72	40012836	PAUSE SWITCH JOINT CORD ASSY				1
73	40019210	AIR VALVE CORD ASSY				1
74	40019236	AIR VALVE JOINT CORD ASSY				1
75	M90195800A0	EARTH CABLE ASM.				1
76	SL4041091SC	SCREW M4 L=10				1
77	40000079	MAIN-INT CORD A ASSY				1
78	40000080	MAIN-INT CORD B ASSY				1
79	40000082	MAIN-INT CORD C ASSY				1
80	40000084	MAIN-INT CORD D ASSY				1
81	40021152	LOADER MOTOR JOINT CORD ASSY				1
82	40021153	LOADER SENSOR JOINT CORD ASSY				1
83	40021154	VCM JOINT CORD ASSY				1
84	40022475	THERMISTOR JOINT CORD ASSY				1
85	PJ046039003	ELBOW				2
86	PJ305080003	T-JOINT D=8				1

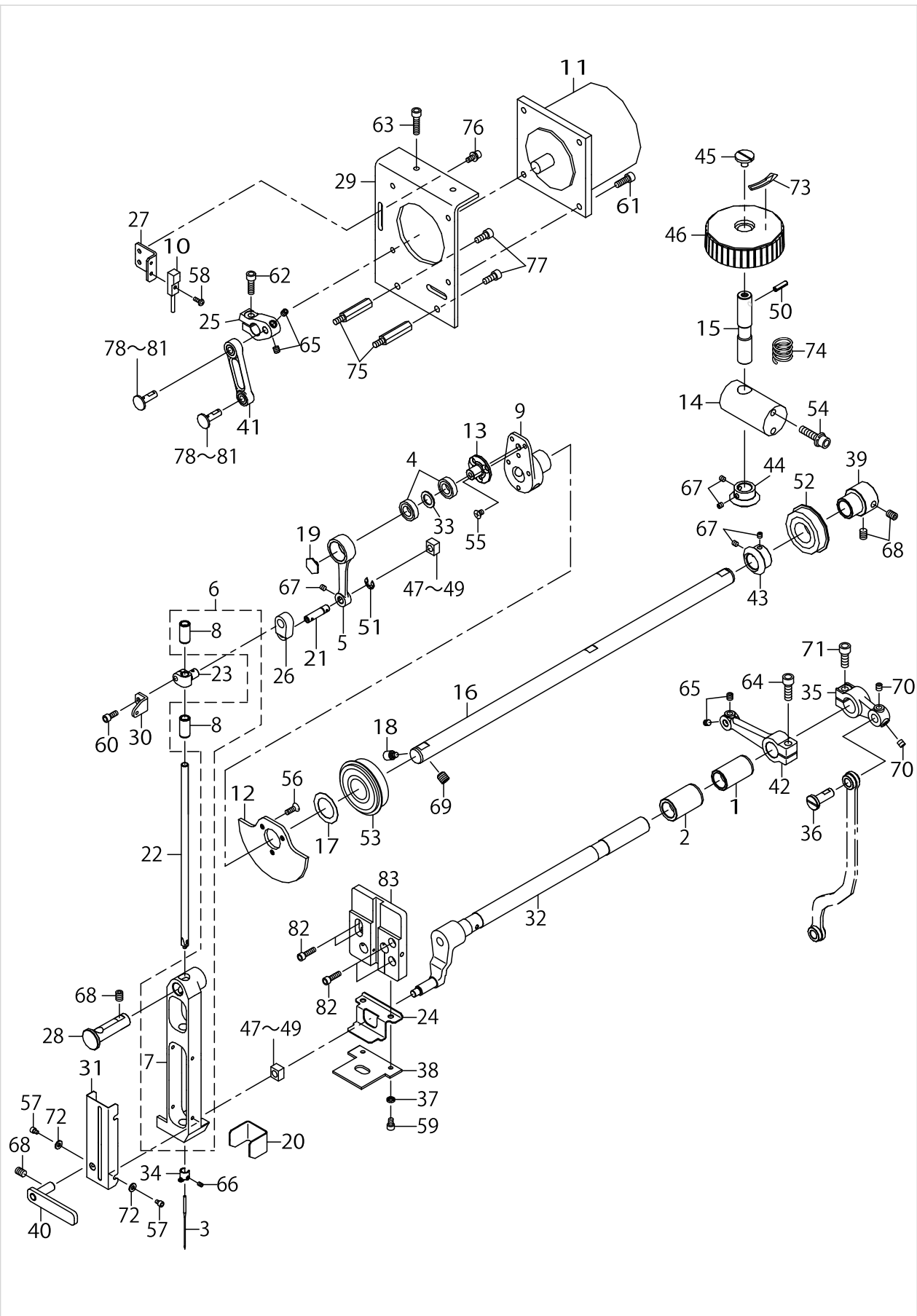
MAIN SHAFT COMPONENTS (1)



MAIN SHAFT COMPONENTS (1)

No.	Parts No.	Parts name	Remarks	Level	Cons	Qty
1	40004217	BUSHING_REAR				1
2	40004216	BUSHING				1
3	MSM3AAN1400	NEEDLE SMX332EXTLG-NY #14			☆	1
4	SB110002600	BEARING				2
5	40001987	CRANK_ROD				1
6	40020656	ASSY_NEEDLE_BAR_FRAME				1
7	40001988	NEEDLE_BAR_FRAME		*		1
8	40020653	NEEDLE_BAR_METAL		*		2
9	40002006	BALANCER				1
10	40019188	NEEDLE SWING SENSOR ASSY				1
11	40019202	NEEDLE SWING MOTOR ASM.				1
12	40020596	COUNTER_WEIGHT				1
13	40020597	CRANK_SHAFT				1
14	40020598	HAND_PULLEY_BASE				1
15	40020599	HAND_PULLEY_SHAFT				1
16	40020604	MAIN_SHAFT				1
17	40020610	WASHER				1
18	40020612	SCREW				1
19	40020613	SCREW				1
20	40020645	ARM_THREAD_GUIDE				1
21	40020647	CRANK_ROD_SHAFT				1
22	40020649	NEEDLE_BAR				1
23	40020650	NEEDLE_BAR_CONNECTION				1
24	40020651	NEEDLE_BAR_COVER_A				1
25	40001990	MOTOR_LEVER				1
26	40020654	NEEDLE_BAR_ROD				1
27	40020655	SENSOR_PLATE				1
28	40020659	ZIGZAG_BASE_SHAFT				1
29	40020661	ZIGZAG_MOTOR_PLATE				1
30	40020663	TAKE_UP				1
31	40020664	TAKE_UP_COVER				1
32	40020662	ASSY_ZIGZAG_LEVER_SHAFT				1
33	10109700	THRUST WASHER A				1
34	10308401	NEEDLE BAR THREAD GUIDE				1
35	40020621	LOOPER_DRIVE_LEVER				1
36	13715701	FRAME ROCK SHAFT CRANK PIN				1
37	B1623180000	WASHER				2
38	40020644	FELT				1
39	23604200	MAIN SHAFT BEARING SUPPORT				1
40	40004218	FRAME_SUPPORT_PLATE_ASM.				1
41	40004378	ZIGZAG_ROD_ASM.				1
42	40004380	ZIGZAG_LEVER_REAR				1
43	40006515	GEAR_A				1
44	40006516	GEAR_B				1
45	A1230500000A	HANDWHEEL SETSCREW				1
46	B1212210D00	PULLEY				1
47	B1414232000	SQUARE BLOCK	SELECTIVE PARTS			2

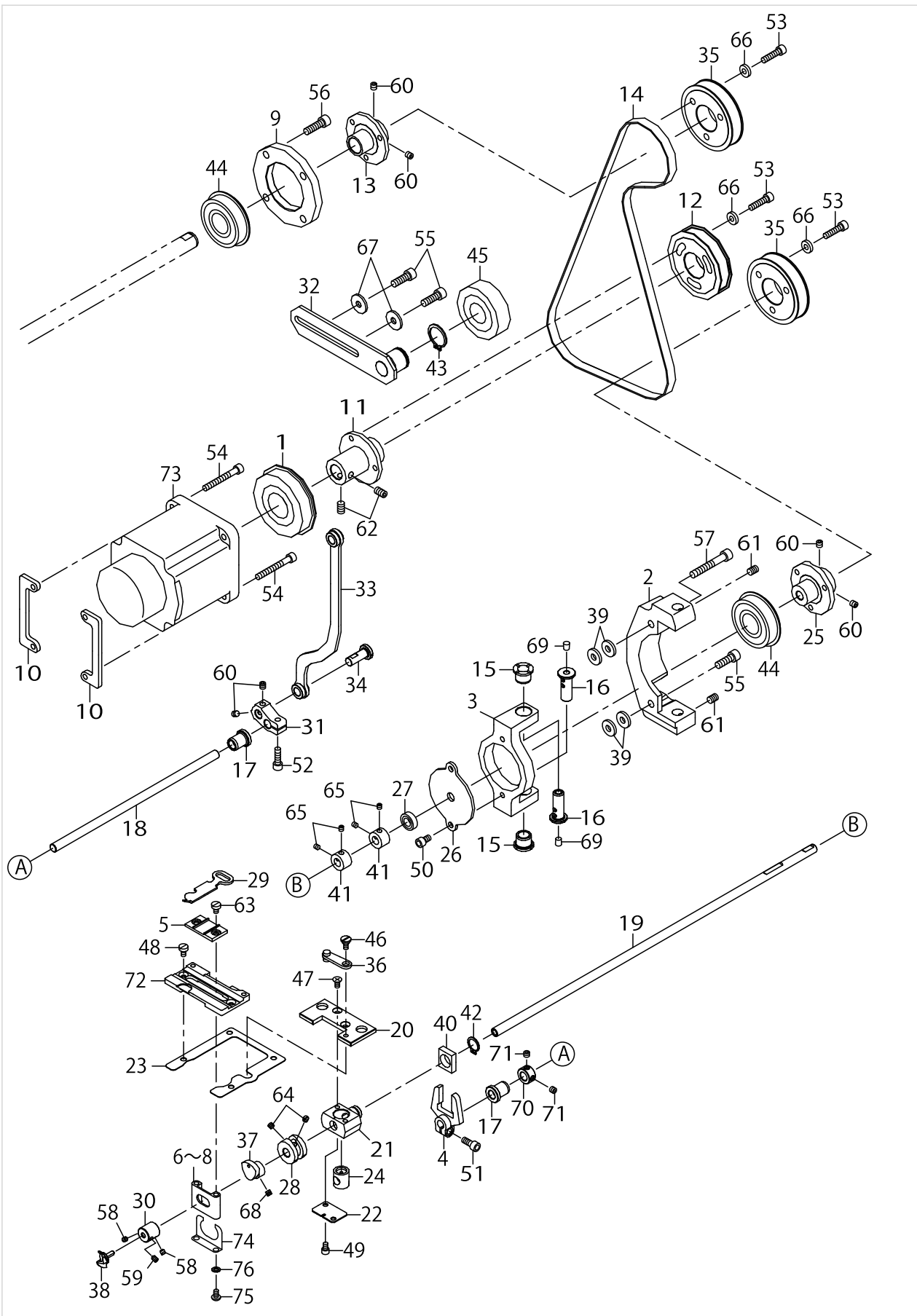
MAIN SHAFT COMPONENTS (1)



MAIN SHAFT COMPONENTS (1)

No.	Parts No.	Parts name	Remarks	Level	Cons	Qty
48	B141423200A	CRANK SLIDE BLOCK	SELECTIVE PARTS			1
49	B141423200B	GUIDE ROLLER	SELECTIVE PARTS			1
50	PS0400142KH	SPRING PIN 4X14				1
51	RE0500000K0	E-RING				1
52	SB120000200	BEARING 20X42				1
53	SB120000900	BEARING				1
54	SL6062542TN	SCREW				2
55	SM1040601SC	SCREW M4X0.7 L=6				3
56	SM1041201SP	SCREW M4X0.7 L=12				3
57	SM6030402TP	SCREW M3X0.5 L=4				4
58	SM4030855SN	SCREW M3 L=8.0				1
59	SM6040602TP	SCREW M4 L=6				4
60	SM6041002TP	SCREW M4 L=10				1
61	SM6051402TP	SCREW M5X0.8 L=14				4
62	SM6051602TP	SCREW M5X0.8 L=16				2
63	SM6052002TN	BOLT				11
64	SM6061802TP	SCREW M6 L=18				1
65	SM8050512TP	SCREW				4
66	SM8030350TP	SCREW			☆	1
67	SM8040412TP	SET SCREW M4 L=4				5
68	SM8060812TP	SCREW M6 L=8				4
69	SM8080812TP	SCREW M8X8				1
70	SM8050512TP	SCREW				2
71	SM6061602TP	SCREW M6 L=16				1
72	WP0371016SD	WASHER 3.7X8X1				4
73	B1144210000	REVOLVING DIRECTION LABEL				1
74	GAF01007000	SPRING				1
75	40020665	ZIGZAG_MOTOR_PLATE_STUD				2
76	SL6041092TN	SCREW				2
77	SM6051202TP	SCREW M5X0.8 L=12				2
78	23544802	JUNCTION SHAFT D	SELECTIVE PARTS			1
79	23544109	JUNCTION SHAFT A	SELECTIVE PARTS			2
80	23544208	JUNCTION SHAFT B	SELECTIVE PARTS			1
81	23544307	JUNCTION SHAFT C	SELECTIVE PARTS			1
82	SM6041402TP	SCREW M4 L=14				4
83	40001991	SLIDE_BLOCK				1

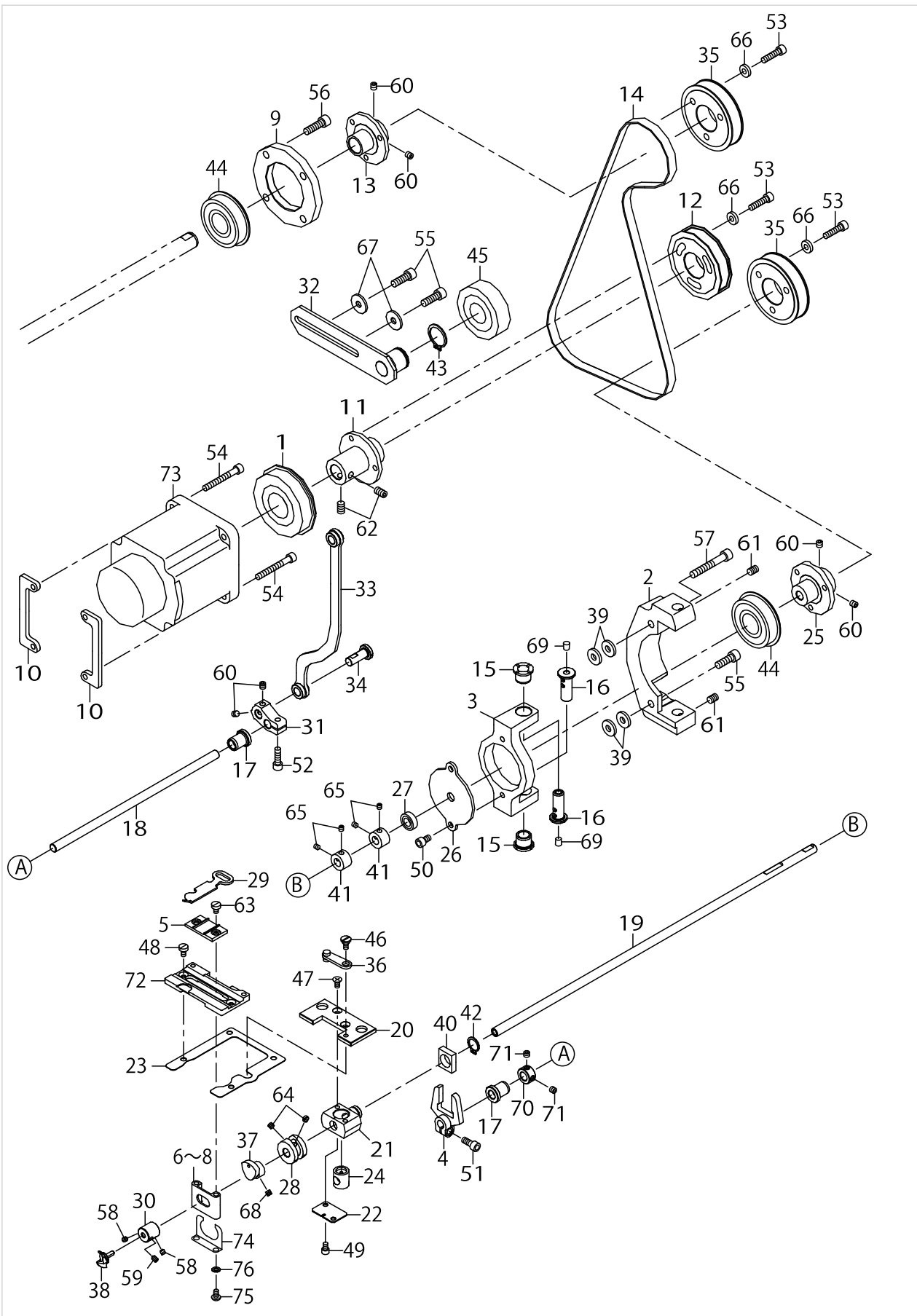
MAIN SHAFT COMPONENTS (2)



MAIN SHAFT COMPONENTS (2)

No.	Parts No.	Parts name	Remarks	Level	Cons	Qty
1	SB125000400	BEARING				1
2	40001989	LOOPER_DRIVE_BASE				1
3	40001993	LOOPER_SHAFT_BASE				1
4	40001995	LOOPER_DRIVE_ROD				1
5	40002002	YOKE_SLIDE_A				1
6	40002003	YOKE_SLIDE_B	SELECTIVE PARTS			1
7	40020641	YOKE_SLIDE_BB	SELECTIVE PARTS			1
8	40020642	YOKE_SLIDE_BC	SELECTIVE PARTS			1
9	40020600	HOUSING				1
10	40020605	MOTOR_PLATE				2
11	40020606	MOTOR_PULLEY_BUSH				1
12	40020607	SPROCKET				1
13	40020608	SPROCKET_BUSH_A				1
14	40020609	TIMING_BELT				1
15	40020616	LOOPER_DRIVE_BASE_METAL				2
16	40020617	LOOPER_DRIVE_BASE_PIN				2
17	40020620	LOOPER_DRIVE_METAL				2
18	40020622	LOOPER_DRIVE_SHAFT				1
19	40020623	LOOPER_SHAFT				1
20	40020625	LOOPER_SLIDE_BLOCK_A				1
21	40020626	LOOPER_SLIDE_BLOCK_B				1
22	40020627	LOOPER_SLIDE_PLATE				1
23	40020628	LOOPER_SLIDE_SPACER				1
24	40020629	PIVOT				1
25	40020630	SPROCKET_BUSH_B				1
26	40020631	THRUST_PLATE				1
27	SB408000100	BEARING				1
28	40020633	YOKE_CAM				1
29	40020634	YOKE_SLIDE			☆	1
30	40020639	LOOPER_SLEEVE				1
31	40020640	LOOPER_DRIVE_LEVER_B				1
32	40020611	ASSY_IDLER_PLATE				1
33	40020638	ASSY_LOOPER_DRIVE_LINK				1
34	13715701	FRAME ROCK SHAFT CRANK PIN				1
35	40020614	SPROCKET_A				2
36	26003756	LOOP POSITIONING FINGER LEVER				1
37	26003103	LOOP POSITIONING FINGER CAM A				1
38	B1239372000	LOOPER			☆	1
39	WP0612516SD	WASHER 6.1X15.2X2.5				4
40	26024604	LNDICATOR PIN BEARING BLOCK				1
41	CS0791016SH	THRUST HOLDER D=7.94 W=10				2
42	RC1200001KP	C-SHAPED SNAP RING				1
43	RC1850001KP	SNAP RING 18.5				1
44	SB120000900	BEARING				2
45	SB120001100	ROLLER BEARING				1
46	SD0640246SP	HINGE SCREW D=6.35 H=2.4				1
47	SM1040800SP	SCREW				2

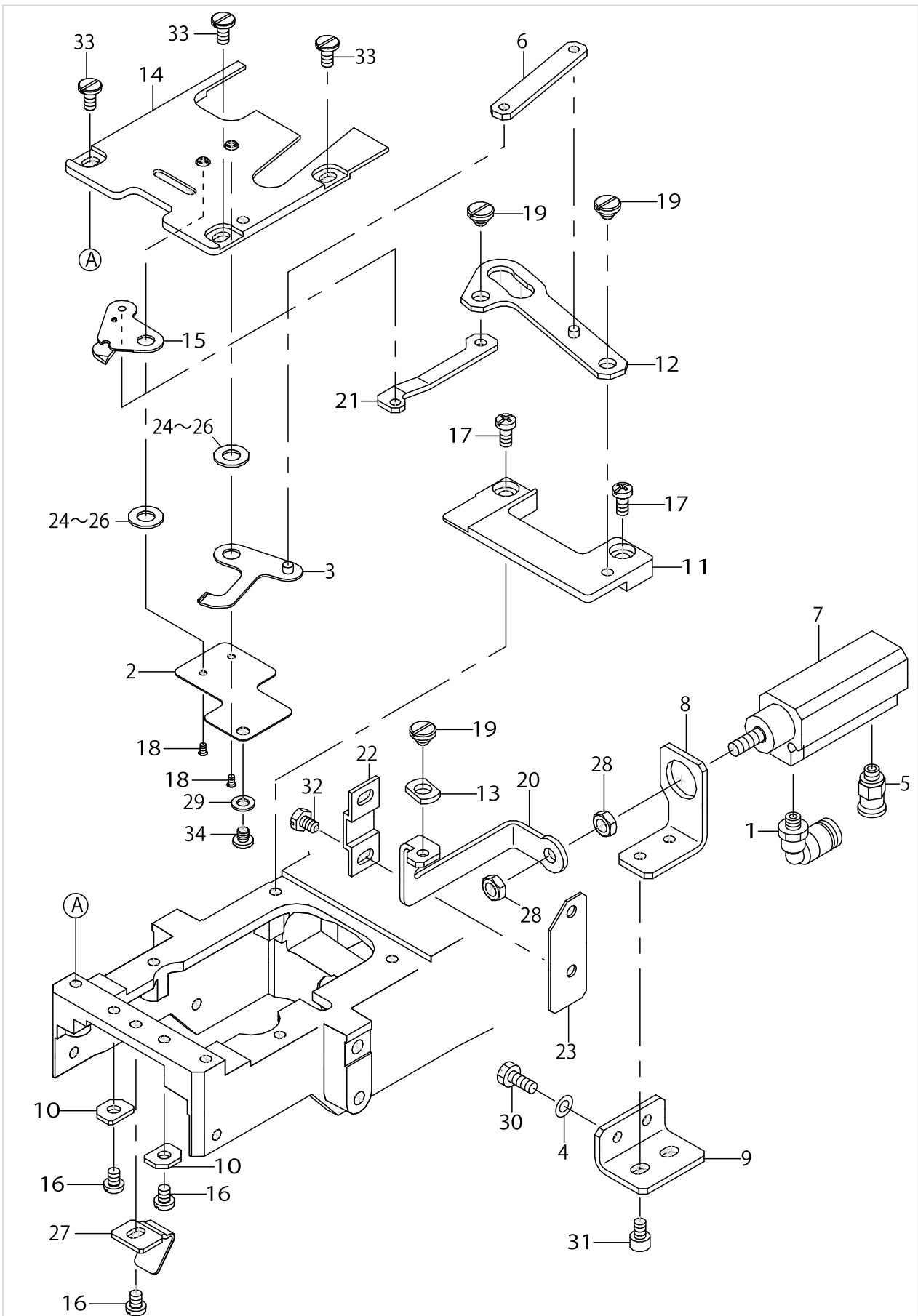
MAIN SHAFT COMPONENTS (2)



MAIN SHAFT COMPONENTS (2)

No.	Parts No.	Parts name	Remarks	Level	Cons	Qty
48	SM6040750TP	SCREW M4 L=7				2
49	SM6040602TP	SCREW M4 L=6				2
50	SM6050802TP	SCREW M5X0.8 L=8				2
51	SM6051202TP	SCREW M5X0.8 L=12				1
52	SM6051602TP	SCREW M5X0.8 L=16				1
53	SM6052002TN	BOLT				9
54	SM6054502TN	SCREW M5 L=45				4
55	SM6061802TP	SCREW M6 L=18				3
56	SM6062002TN	SCREW M6 L=20				4
57	SM6064002TP	SCREW M6 L=40				1
58	SM8040310SS	SCREW M4 L=3			☆	2
59	SM8040612TP	SCREW M4 L=6				1
60	SM8050512TP	SCREW M5 L=5				6
61	SM8060812TP	SCREW M6 L=8				2
62	SM8061002TP	SCREW M6 L=10				2
63	SS6110610TP	SCREW 11/64-40 L=6				2
64	SS8110410TP	SCREW 11/64-40 L= 3.5				2
65	SS8110422TP	SCREW 11/64-40 L=4				4
66	WP0502616SD	WASHER				9
67	WP0612056SD	WASHER 6.1X18.5X2				2
68	SS8110410TP	SCREW 11/64-40 L= 3.5				2
69	TA0490601R0	PLUG D=4.9X5.5 L=6				2
70	CS0800971TP	THRUST COLLAR D=8 W=9				1
71	SM8050512TP	SCREW M5 L=5				2
72	40002007	YORK_SLIDE_INSERT				1
73	40028015	AC SERVO MOTOR				1
74	40069006	YOKE_SLIDE_COVER				1
75	SS4110715SP	SCREW 11/64-40 L=7				2
76	WP0450846SP	WASHER				2

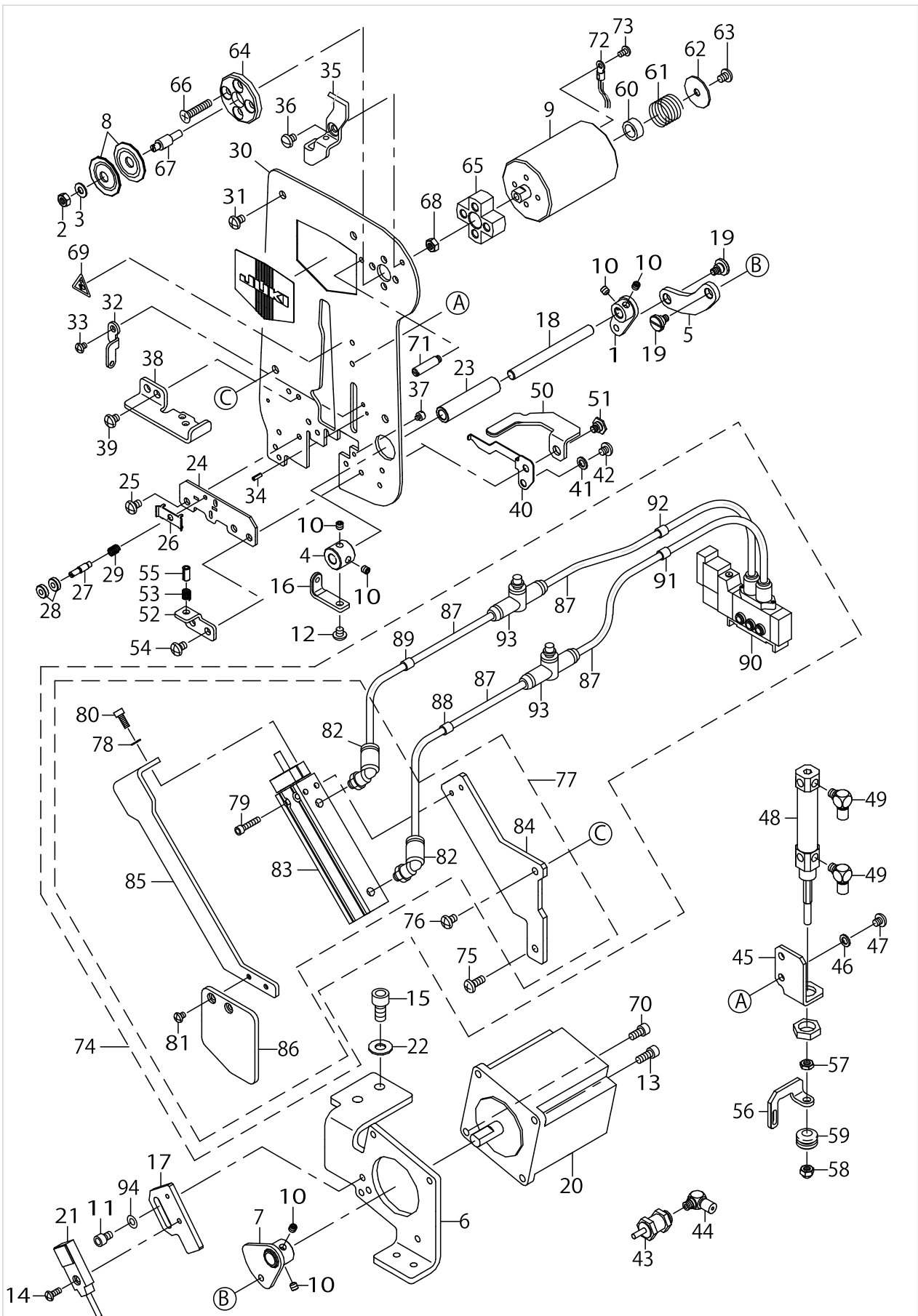
THREAD TRIMMER COMPONENTS



THREAD TRIMMER COMPONENTS

No.	Parts No.	Parts name	Remarks	Level	Cons	Qty
1	PJ304040504	ELBOW UNION				1
2	40020675	CLAMP_SUPPORT_PLATE				1
3	40020670	COUNTER_KNIFE_ASSY			☆	1
4	WP0430800SC	WASHER M4				2
5	PJ301040502	HALF UNION 4XM5				1
6	40020685	COUNTER_KNIFE_CONNECT_LINK				1
7	PA1502502A0	AIR CYLINDER				1
8	40020680	CYLINDER_PLATE				1
9	40020687	CYLINDER_PLATE_BASE				1
10	40020689	GUIDE_BASE				1
11	40002001	LOOPER_SLIDE_GUIDE_B				1
12	40020678	MOVING_AND_COUNTER_CONNECT_ASSY				1
13	40020676	SQUARE_BLOCK				1
14	40020672	THROAT_PLATE_ASSY				1
15	B24063730A0	MOVING KNIFE ASM.			☆	1
16	SM4040555SP	SCREW				3
17	SM4040855SP	SCREW				2
18	SM1020450TH	SCREW				2
19	SD0600207TP	SHOULDER SCREW				3
20	40020686	MOVING_KNIFE_LINK				1
21	40020677	MOVING_KNIFE_LINK_2				1
22	40020681	MOVING_KNIFE_LINK_GUIDE				1
23	40020690	CUTTER_LINK_GUIDE				1
24	40020684	MOVING_KNIFE_WASHER_0.9	SELECTIVE PARTS			1
25	40020683	MOVING_KNIFE_WASHER_1.0	SELECTIVE PARTS			1
26	40020682	MOVING_KNIFE_WASHER_1.1	SELECTIVE PARTS			1
27	40020688	NEEDLE_GUARD				1
28	NM6050003SC	NUT M5X0.8				2
29	WP0430800SC	WASHER M4				1
30	SM9041050SC	SCREW M4X0.7 L=10				2
31	SM6040602TP	SCREW M4 L=6				2
32	SM9040600SP	HEAXGON BOLT				2
33	SM6040860TP	SCREW M4 L=8				3
34	SM6040450TP	SCREW M4 L=4				1

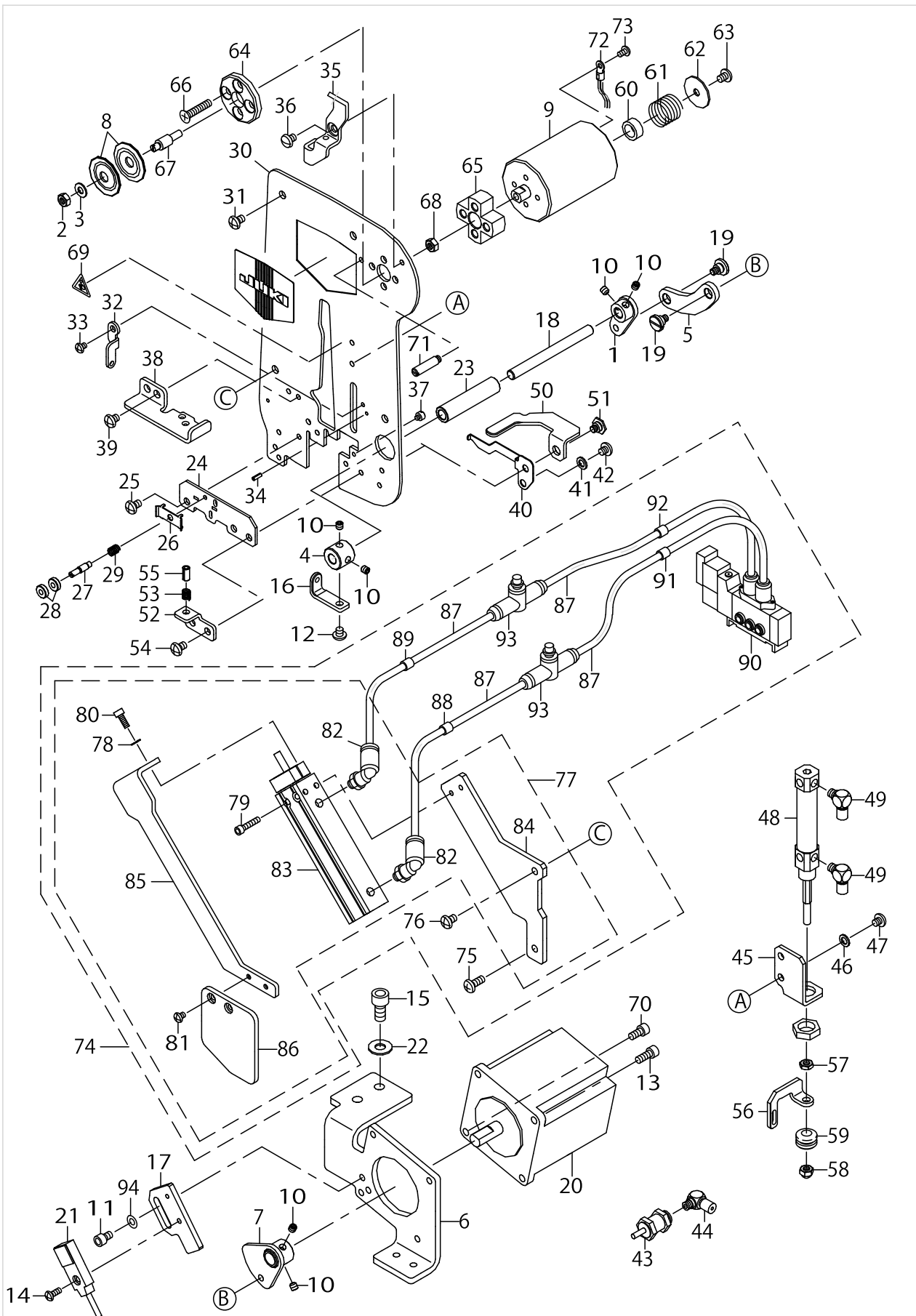
THREAD HOOK & THREAD TENSION COMPONENTS



THREAD HOOK & THREAD TENSION COMPONENTS

No.	Parts No.	Parts name	Remarks	Level	Cons	Qty
1	40020741	ASSY_CONNECT				1
2	NM6040002SN	NUT M4				1
3	WP0430801SC	WASHER 4.3X9X0.8				1
4	40020734	BOSS				1
5	40020736	CONNECT_LINK				1
6	40020740	HOOK_MOTOR_PLATE				1
7	40020730	MOTOR_ARM				1
8	13138201	THREAD TENSION DISK				2
9	40020700	VCM				1
10	SM8040412TP	SET SCREW M4 L=4				6
11	SM6040602TP	SCREW M4 L=6				2
12	SM4040455SP	SCREW				1
13	SM6041002TP	SCREW M4 L=10				3
14	SM4030855SN	SCREW M3 L=8.0				1
15	SM6061202TP	SCREW M6 L=12				2
16	40020733	SECOND_THREAD_GUIDE				1
17	40020738	SENSOR_PLATE_N				1
18	40020744	SHAFT				1
19	SD0600326TP	SHOULDER SCREW D6 H3.2				2
20	40019207	THREAD MOTOR ASSY				1
21	40019193	THREAD SENSOR ASSY				1
22	WP0621046SP	WASHER				2
23	40020735	FACE_PLATE_BOSS				1
24	40020696	THREAD_PRESSER_BASE				1
25	SM4040655SP	SCREW M4 L=6				1
26	10129104	THREAD PRESSER PLATE				1
27	25002809	THREAD TENSION STUD				1
28	25002908	THREAD TENSION NUT				2
29	B1135850000	TENSION SPRING (A)				1
30	40020694	FACE_PLATE				1
31	SM4040655SP	SCREW M4 L=6				4
32	40020711	THIRD_THREAD_GUIDE				1
33	SM4030455SP	SCREW				1
34	PS0200062KH	SPRING PIN 2X6				1
35	40020710	TEREAD_GUIDE_B				1
36	SM5040550TP	SCREW M4 L=5				1
37	40021831	STOPPER_PIN				1
38	40020695	THREAD_GUIDE				1
39	SM4040555SP	SCREW				2
40	40021900	THREAD_RELEASING_PLATE				1
41	WP0450846SP	WASHER				1
42	SM4040455SP	SCREW				1
43	PA0600504A0	AIR CYLINDER				1
44	PJ046052503	HOSE ELBOW				1
45	40020701	CYLINDER_STAY				1
46	WP0450846SP	WASHER				2
47	SM4040555SP	SCREW				2

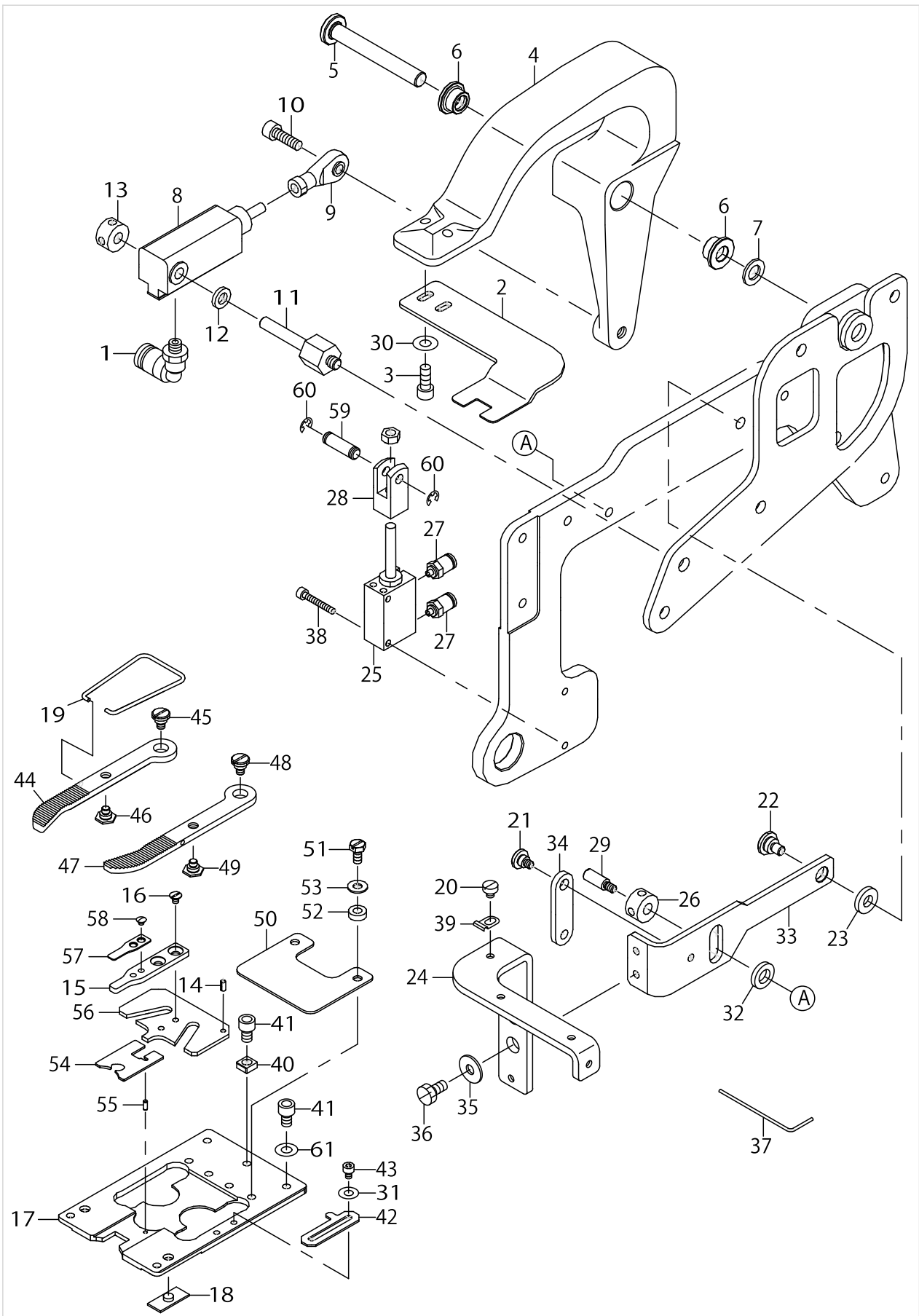
THREAD HOOK & THREAD TENSION COMPONENTS



THREAD HOOK & THREAD TENSION COMPONENTS

No.	Parts No.	Parts name	Remarks	Level	Cons	Qty
48	PA1002011A0	AIR CYLINDER				1
49	PJ046052503	HOSE ELBOW				2
50	40020702	NIPPER				1
51	SD0600226TP	SHOULDER SCREW				1
52	40020703	NIPPER_SPRING_BASE				1
53	40020693	NIPPER_SPRING				1
54	SM4040655SP	SCREW M4 L=6				2
55	PS0400082KP	SPRING PIN				1
56	40020705	THREAD_GUIDE_HEAD				1
57	NM6040003SC	NUT M4				1
58	NM7040032SC	HEXAGONAL CAP NUT TYPE 3 M4				1
59	GSK01008000	RUBBER BUSHING				1
60	40020699	COLLAR				1
61	40009375	SPRING				1
62	WP0451016SP	WASHER 4.5X20X1				1
63	SM4040555SP	SCREW				1
64	40020706	VCM_BASE_A				1
65	40020707	VCM_SPACER				1
66	SM1042001UZ	SCREW				4
67	40020708	VCM_STUD				1
68	NM6040001SD	NUT M4				1
69	CM300200001	ATTENTION SEAL				1
70	SM6040802TP	SCREW M4X0.7 L=8				1
71	40020709	THREAD_GUIDE_A				1
72	40022474	THERMISTOR ASSY				1
73	SM4030501UZ	SCREW				1
74	40024087	MOVING SAFETY PLATE OPTION				1
75	SM4041055SP	SCREW		*		1
76	SM4040655SP	SCREW M4 L=6		*		1
77	40021021	ASSY MOVING SAFETY PLATE		*		1
78	WP0320500SC	WASHER M3		*		2
79	SM6031402TP	SCREW		*		2
80	SM6030802TP	SCREW M3X0.5 L=8		*		2
81	SM4030455SN	SCREW		*		2
82	PJ304040504	ELBOW UNION		*		2
83	PA1005002A0	AIR CYLINDER		*		1
84	40021023	SAFETY PLATE BASE A		*		1
85	40021022	SAFETY PLATE HOLDER		*		1
86	13301700	PROTECTION SHIELD		*		1
87	BT0400251EB	URETHANE HOSE BLACK		*		2
88	18037903	WIRE MARK (33)		*		4
89	18038109	WIRE MARK (32)		*		4
90	PV150209000	5 PORT SOLENOID VALVE		*		1
91	18038901	WIRE MARK (40)		*		4
92	18039008	WIRE MARK (41)		*		4
93	PC012406000	SPEED CONTROLLER		*		2
94	WP0450846SP	WASHER		*		2

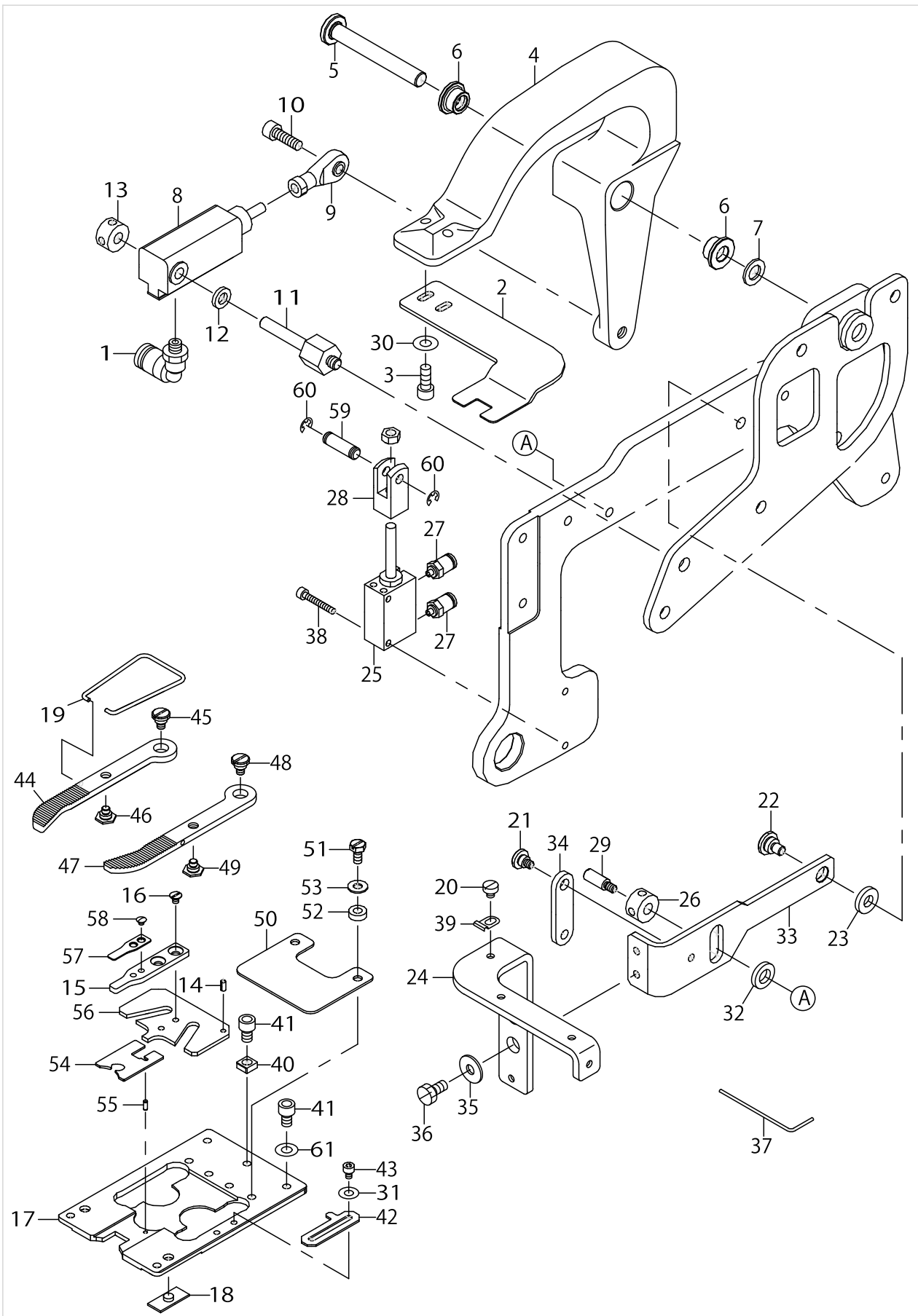
COUNTER BUTTON CLAMP & CLOTH PRESSER COMPONENTS



COUNTER BUTTON CLAMP & CLOTH PRESSER COMPONENTS

No.	Parts No.	Parts name	Remarks	Level	Cons	Qty
1	PJ304040504	ELBOW UNION				2
2	40020829	CLAMP				1
3	SM6041012TP	SCREW M4X0.7 L=10				2
4	40020828	CLAMP_BASE				1
5	40020831	PIN				1
6	40020785	SIDE_PLATE_METAL				2
7	B1906581000	THRUST WASHER				1
8	PA1602006B0	AIR CYLINDER				1
9	B1632180000	FEED ADJUSTING JOINT				1
10	SM6051602TP	SCREW M5X0.8 L=16				1
11	40020830	CYLINDER_SHAFT				1
12	WP0612066SP	WASHER 6.1X11X2				1
13	G6014880000	LINK THRUST HOLDER				1
14	PS0250052KP	SPRING PIN				1
15	40020823	STAY_BUTTON_SLIDE_B				1
16	SM1030400SP	SCREW M3 L=4				2
17	40020808	FEED_PLATE				1
18	14506109	FEED PLATE GUIDE				2
19	B2561372000	BUTTON CLAMP SPRING				1
20	SM6030350SD	SCREW M3 L=2.9				5
21	SD0600326TP	SHOULDER SCREW D6 H3.2				1
22	SD0800329TP	SHOULDER SCREW				1
23	B144418000B	WASHER				1
24	40020846	CLAMP_PLATE				1
25	PA1002010A0	AIR CYLINDER				1
26	G6014880000	LINK THRUST HOLDER				1
27	PJ210304010	HALF UNION				2
28	PX500020000	KNUCKLE JOINT				1
29	40020844	PIN				1
30	WP0450801SD	WASHER 4.5X10X0.8				2
31	WP0370316SD	WASHER 3.7X8X0.3				2
32	WP0612066SP	WASHER 6.1X11X2				1
33	40020843	PRESSER_LEVER				1
34	40020842	PRESSER_LINK				1
35	WP0431005SP	PLAIN WASHER 4.3X12X1				2
36	SM9040800SP	SCREW				2
37	40020847	PIPE				1
38	SM6032002TP	SCREW M3X0.5 L=20				2
39	40020848	PIPE_CLAMP				5
40	B3035280000	SAFETY PLATE SLIDE BLOCK				1
41	SM6040602TN	BOLT				3
42	40020811	STOPPER				1
43	SM6030402TP	SCREW M3X0.5 L=4				2
44	40020834	STAY_BUTTON_CLAMP_LH				1
45	SD0600286TP	SHOULDER SCREW				1
46	SD0600226TP	SHOULDER SCREW				1
47	40020835	STAY_BUTTON_CLAMP_RH				1

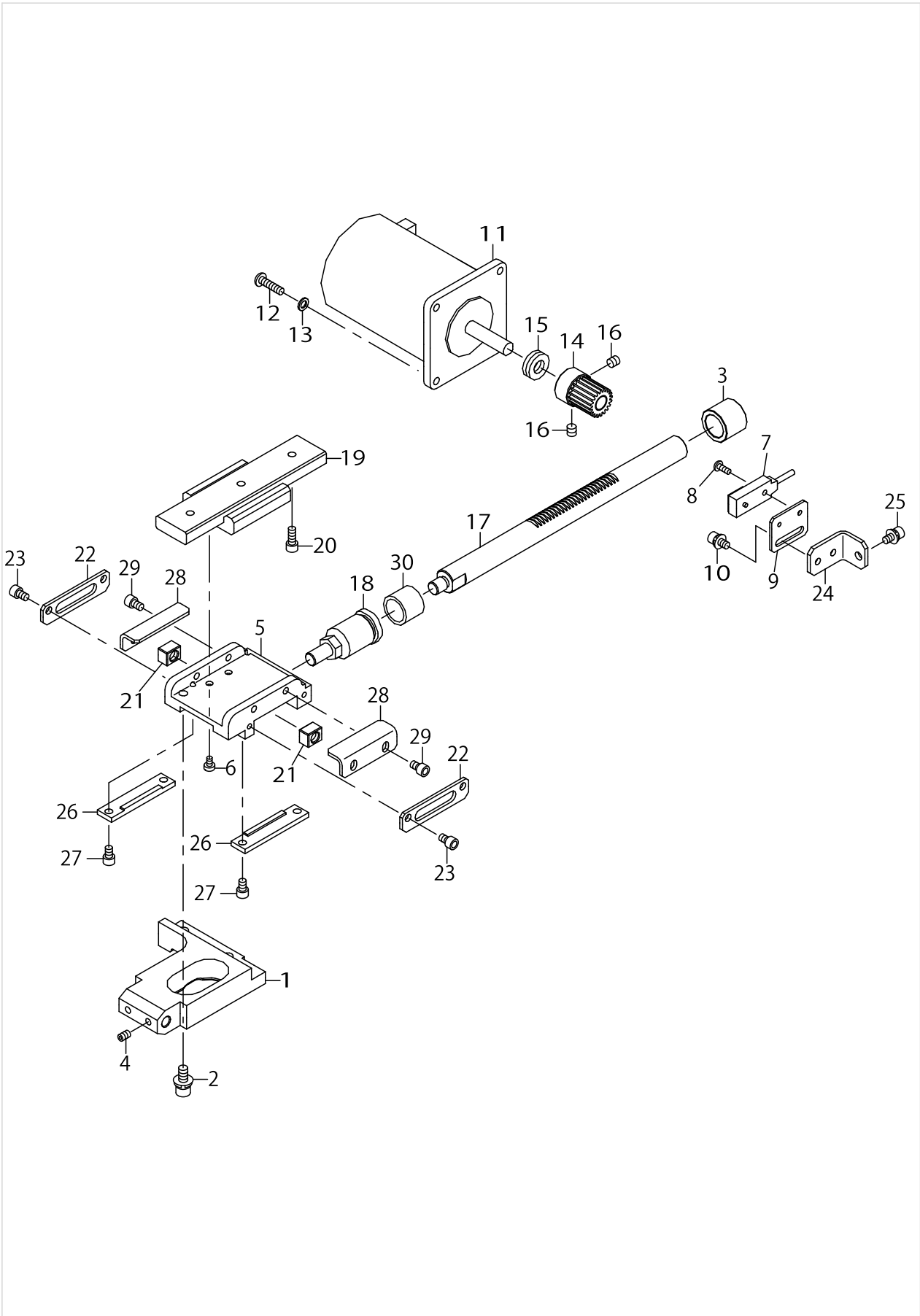
COUNTER BUTTON CLAMP & CLOTH PRESSER COMPONENTS



COUNTER BUTTON CLAMP & CLOTH PRESSER COMPONENTS

No.	Parts No.	Parts name	Remarks	Level	Cons	Qty
48	SD0600286TP	SHOULDER SCREW				1
49	SD0600226TP	SHOULDER SCREW				1
50	40020810	FEED_PLATE_SHORT				1
51	SM9040800SP	SCREW				2
52	B1513210000	CLOTH PRESSER MAGNET SPACER				2
53	WP0450826SC	WASHER 4.5X10X0.8				2
54	40020814	COUNTER_BUTTON_PLATE_A				1
55	PH0200054C0	PARALLEL PIN				1
56	40020812	COUNTER_BUTTON_SLIDE_A				1
57	40020826	STAY_BUTTON_SPRING_B				1
58	SS2060210SP	SCREW 3/32-56 L=2.3				2
59	MAT80114T00	PLUNGER PIN				1
60	RE0300000KP	E-RING				2
61	WP0430801SC	WASHER 4.3X9X0.8				2

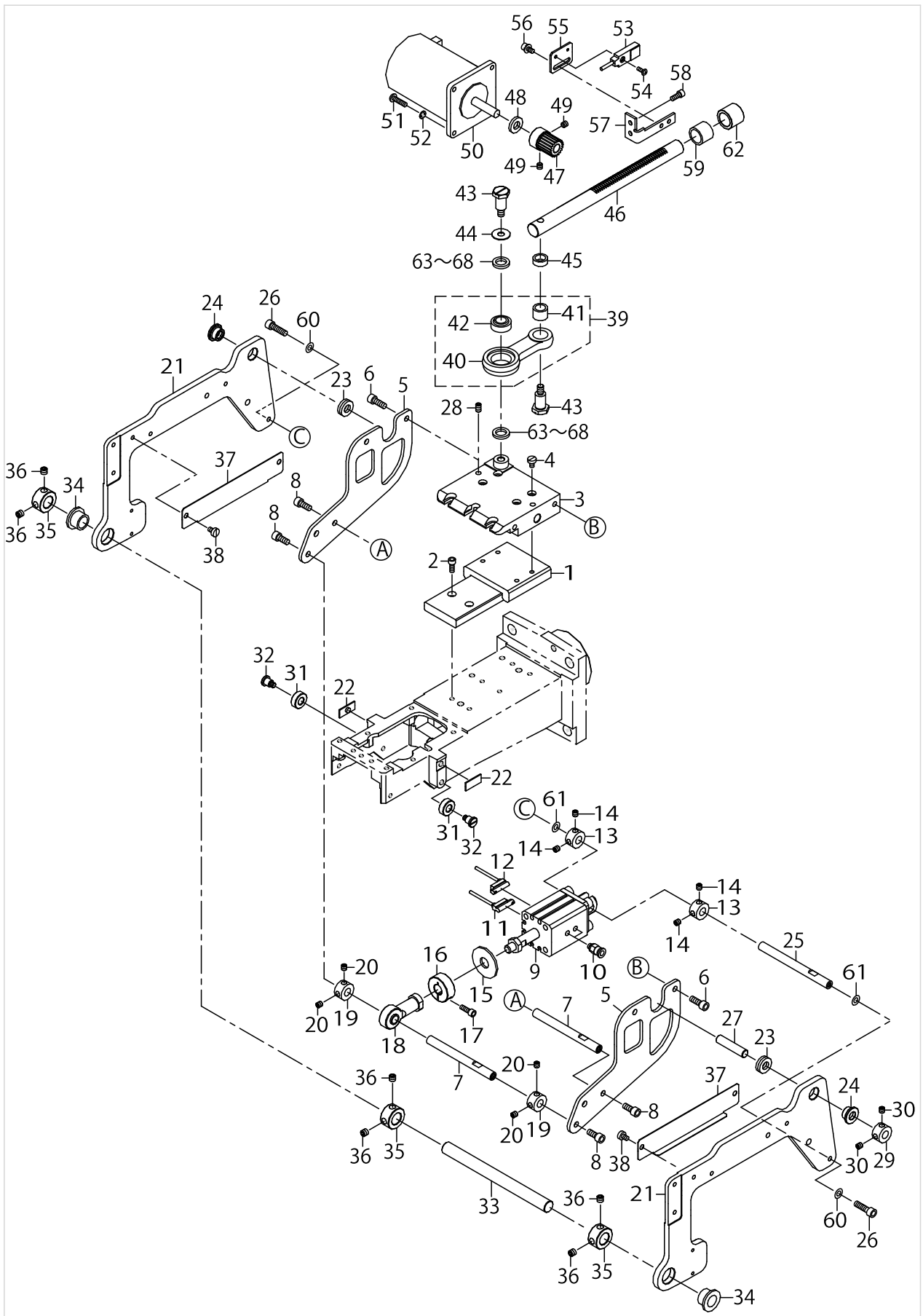
UPPER FEED COMPONENTS



UPPER FEED COMPONENTS

No.	Parts No.	Parts name	Remarks	Level	Cons	Qty
1	40001985	Y_FEED_ARM				1
2	SL6051292TN	BOLT				2
3	40020794	METAL				1
4	SM8040412TP	SET SCREW M4 L=4				2
5	40001992	Y_FEED_UPPER_BASE				1
6	SM6030500SN	SCREW M3 L=5				4
7	40019190	UPPER FEED SENSOR ASSY				1
8	SM4030855SN	SCREW M3 L=8.0				1
9	40020783	Y_UNDER_SENSOR_STAY				1
10	SL6040892TN	BOLT				2
11	40019204	UPPER FEED MOTOR ASSY				1
12	SM4041655SP	SCREW M4 L=16				4
13	WP0450846SP	WASHER				4
14	40020780	UPPER_Y_GEAR				1
15	SB408000100	BEARING				1
16	SM8050512TP	SCREW				2
17	40020865	Y_UPPER_FEED_SHAFT				1
18	PA900070000	CYLINDER JOINT				1
19	40020866	LM_GUIDE				1
20	SM6041002TP	SCREW M4 L=10				3
21	40020868	SLIDE_BLOCK				2
22	40020869	SLIDE_BLOCK_COVER				2
23	SM6040602SP	SCREW M4X0.7 L=6				4
24	40020872	Y_FEED_SENSOR_STAY_BASE				1
25	SL6040892TN	BOLT				1
26	40020875	Y_FEED_UPPER_BASE_COVER				2
27	SM6040602SP	SCREW M4X0.7 L=6				4
28	40020876	Y_FEED_UPPER_BASE_HOLDER				2
29	SM6040602SP	SCREW M4X0.7 L=6				4
30	32007205	VERTICAL FEED SHAFT METAL				1

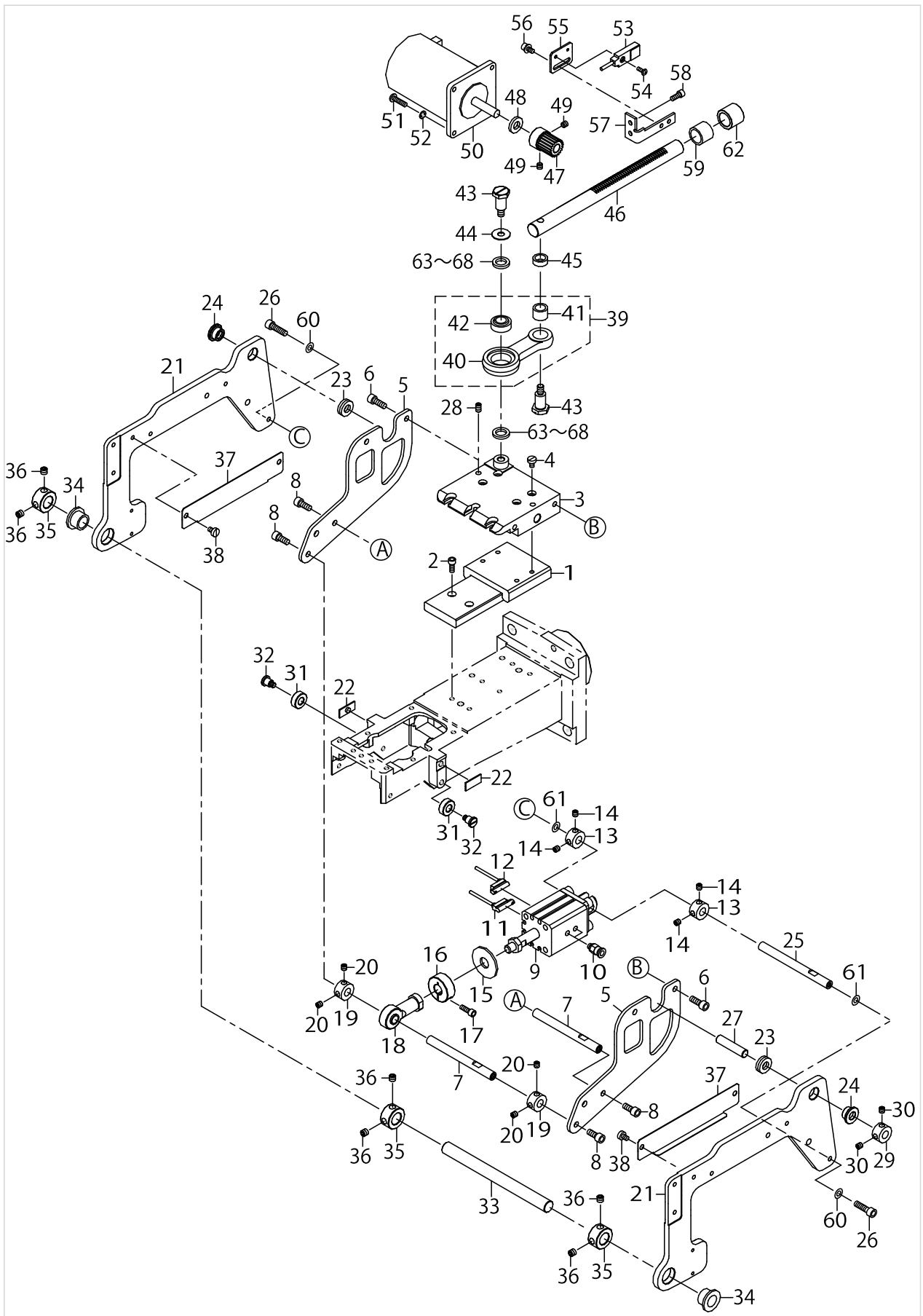
UNDER FEED COMPONENTS



UNDER FEED COMPONENTS

No.	Parts No.	Parts name	Remarks	Level	Cons	Qty
1	40020795	LM_GUIDE				1
2	SM6041002TP	SCREW M4 L=10				6
3	40002010	Y_UNDER_BASE				1
4	SM6040600SP	SCREW M4 L=6				4
5	40020792	UNDER_BASE_CYLINDER_STAY				2
6	SM6051402TP	SCREW M5X0.8 L=14				4
7	40020786	UNDER_FEED_UP_DOWN_SHAFT_A				2
8	SM6051202TP	SCREW M5X0.8 L=12				4
9	PA2001506A0	AIR CYLINDER				1
10	PJ301040502	HALF UNION 4XM5				2
11	40019197	FEED UP SWITCH ASSY				1
12	40019198	FEED DOWN SWITCH ASSY				1
13	CS0800971TP	THRUST COLLAR D=8 W=9				2
14	SM8050512TP	SCREW				4
15	GAK33032000	SOLENOID RUBBER B				1
16	40020793	SET_COLLAR				1
17	SM6041202TP	SCREW M4X0.7 L=12				1
18	16138109	ROD				1
19	CS0800971TP	THRUST COLLAR D=8 W=9				2
20	SM8050512TP	SCREW				4
21	40020791	SIDE_PLATE				2
22	14506109	FEED PLATE GUIDE				2
23	SB408000100	BEARING				2
24	40020785	SIDE_PLATE_METAL				2
25	40020787	UNDER_FEED_UP_DOWN_SHAFT_B				1
26	SM6051802TP	SCREW M5 L=18				2
27	40020789	SIDE_PLATE_SHAFT				1
28	SM8050812TP	SCREW M5X8				2
29	CS0800971TP	THRUST COLLAR D=8 W=9				1
30	SM8050512TP	SCREW				2
31	40020782	ROLLER				2
32	SD0700586TP	SHOULDER SCREW				2
33	13110606	NEEDLE DRIVING SHAFT				1
34	32046708	VERTICAL ARM METAL				2
35	CS1201171TP	THRUST COLLAR D=12 W=11				3
36	SM8060552TP	SCREW M6 L=5				6
37	40020796	SIDE_FEED_GUARD				2
38	SM6040600SP	SCREW M4 L=6				4
39	40131925	VERTICAL FEED CONNECTING ARM A				1
40	40131921	VERTICAL FEED CONNECTING ARM		*		1
41	32007403	CONNECTING ARM METAL A		*		1
42	40131924	SPHERICAL BEARING		*		1
43	SD1001526TP	SHOULDER SCREW				2
44	10523504	WASHER				1
45	16573909	THRUST COLLAR				1
46	40020781	Y_UNDER_FEED_SHAFT				1
47	40020780	UPPER_Y_GEAR				1

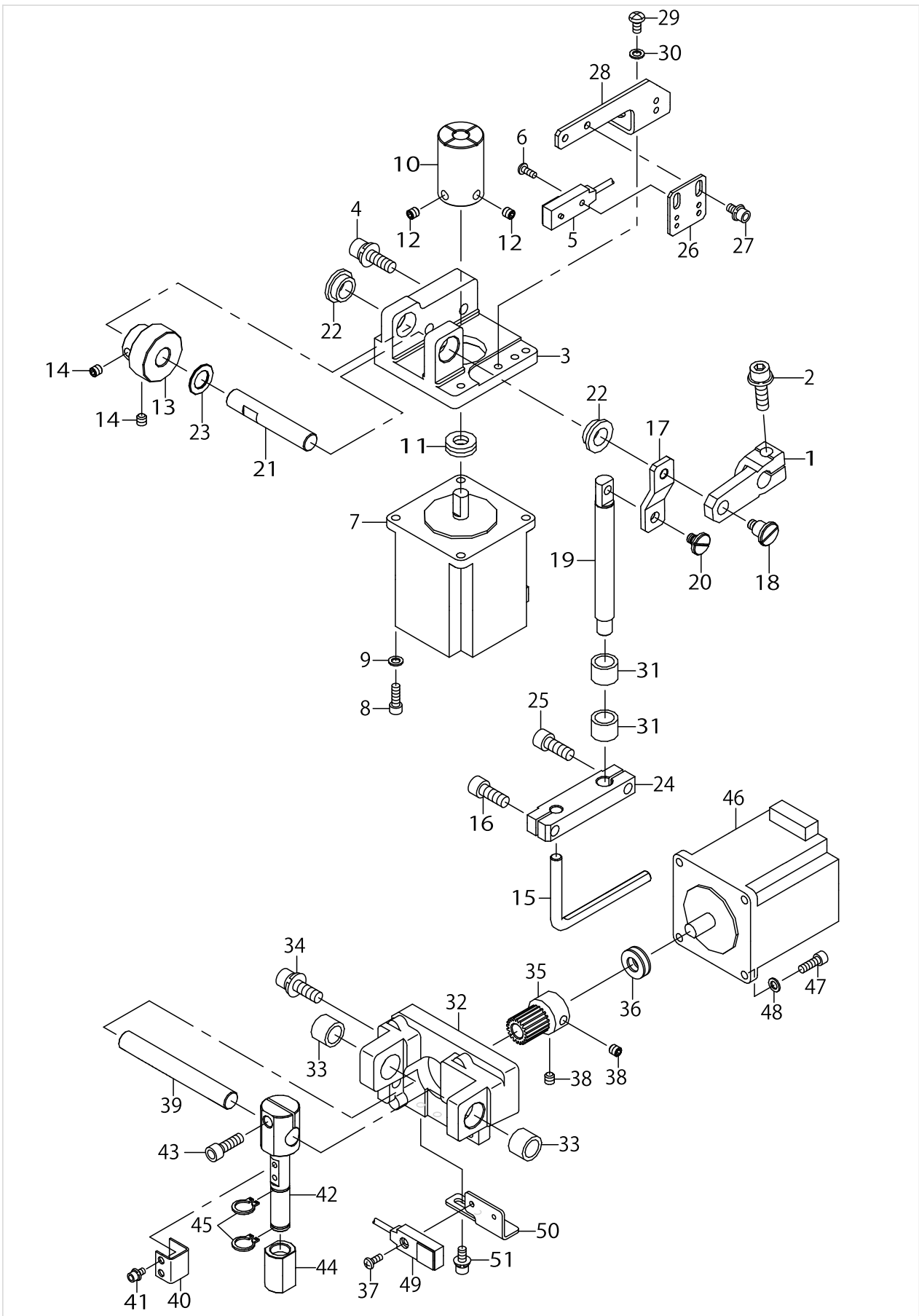
UNDER FEED COMPONENTS



UNDER FEED COMPONENTS

No.	Parts No.	Parts name	Remarks	Level	Cons	Qty
48	SB408000100	BEARING				1
49	SM8050512TP	SCREW				2
50	40019203	LOWER FEED MOTOR ASSY				1
51	SM4041655SP	SCREW M4 L=16				4
52	WP0450846SP	WASHER				4
53	40019189	LOWER FEED SENSOR ASSY				1
54	SM4030855SN	SCREW M3 L=8.0				1
55	40020783	Y_UNDER_SENSOR_STAY				1
56	SL6040892TN	BOLT				2
57	40020784	Y_UNDER_SENSOR_STAY_BASE				1
58	SM6041002TP	SCREW M4 L=10				2
59	32007205	VERTICAL FEED SHAFT METAL				1
60	WP0531000SD	WASHER M5				2
61	WP0522016SH	WASHER				2
62	40020794	METAL				1
63	22614002	THRUST WASHER, A	SELECTIVE PARTS			2
64	22614101	THRUST WASHER, B	SELECTIVE PARTS			2
65	22614200	SPACER, C	SELECTIVE PARTS			2
66	22614309	SPACER, D	SELECTIVE PARTS			2
67	22614408	SPACER, E	SELECTIVE PARTS			2
68	22614507	SPACER, F	SELECTIVE PARTS			2

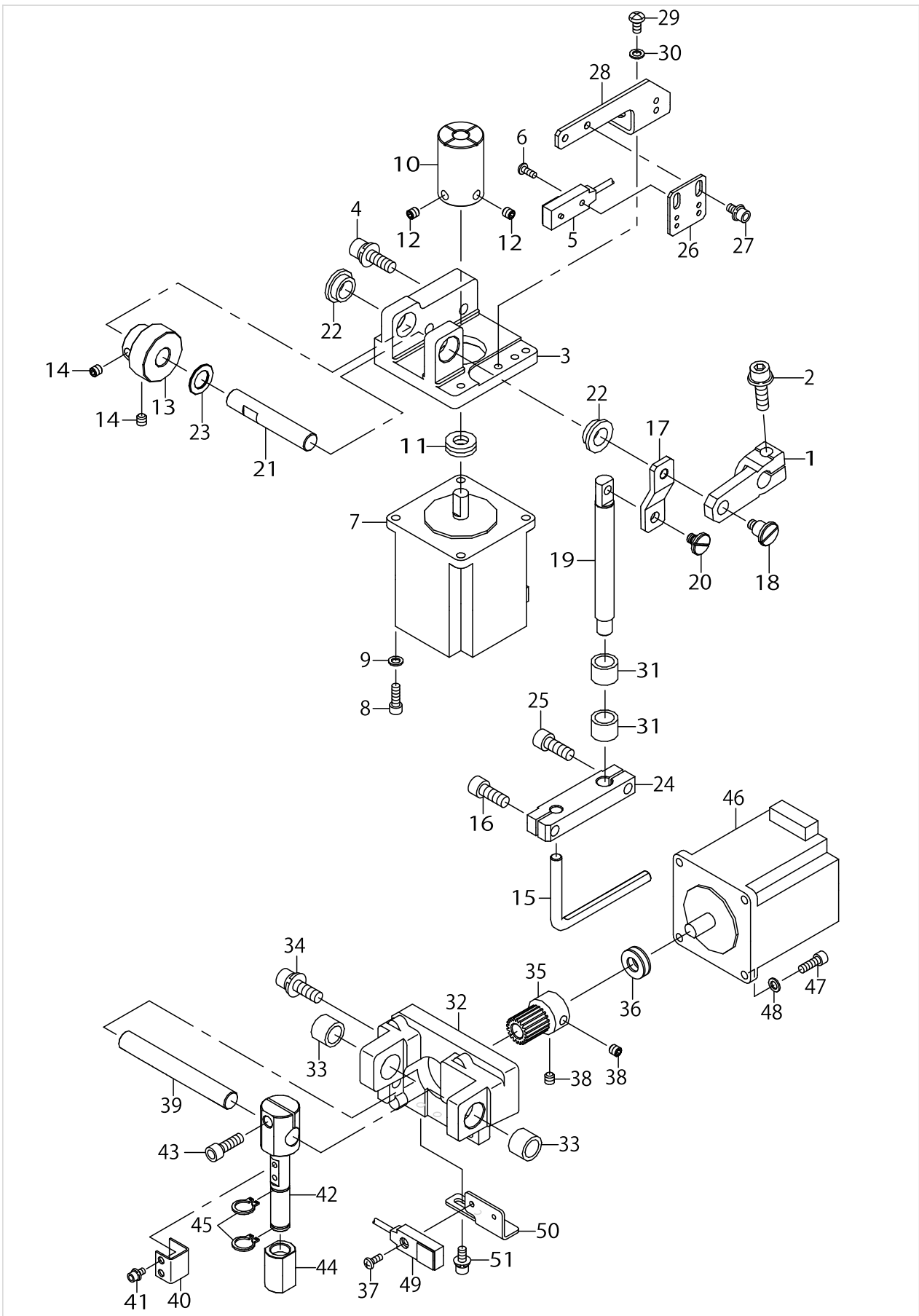
UP DOWN FEED & DIFF FEED COMPONENTS



UP DOWN FEED & DIFF FEED COMPONENTS

No.	Parts No.	Parts name	Remarks	Level	Cons	Qty
1	14104301	LOWERING ARM				1
2	SL6062042TN	BOLT				1
3	40001998	HAND_LIFTER_GEAR_BLOCK				1
4	SL6062042TN	BOLT				2
5	40019192	PRESS SENSOR ASSY				1
6	SM4030855SN	SCREW M3 L=8.0				1
7	40019206	PRESS MOTOR ASSY				1
8	SM6041202TP	SCREW M4X0.7 L=12				4
9	WP0450846SP	WASHER				4
10	40020883	WORM				1
11	SB408000100	BEARING				1
12	SM8050512TP	SCREW				2
13	40020884	WORM_WHELL				1
14	SM8050512TP	SCREW				2
15	40020885	HAND_LIFTER_HOOK				1
16	SM6061602TP	SCREW M6 L=16				1
17	40020886	HAND_LIFTER_LEVER				1
18	SD0790706TP	SHOULDER SCREW				1
19	40020887	HAND_LIFTER_SHAFT				1
20	SD0600327TP	SHOULDER SCREW				1
21	40020888	PITCH_LEVER_SHAFT				1
22	32009805	CONNECTING PLATE METAL				2
23	10523504	WASHER				1
24	40020889	PULLING HOLDER				1
25	SM6061602TP	SCREW M6 L=16				1
26	40020890	UP_DOWN_SENSOR_PLATE				1
27	SL6040892TN	BOLT				2
28	40020891	UP_DOWN_SENSOR_STAY_BASE				1
29	SM4040855SP	SCREW				2
30	WP0450846SP	WASHER				2
31	32007403	CONNECTING ARM METAL A				2
32	40001997	DIFFERENTIAL_MOTOR_STAY				1
33	32007403	CONNECTING ARM METAL A				2
34	SL6062042TN	BOLT				2
35	40020900	UPPER_X_GEAR				1
36	SB408000100	BEARING				1
37	SM4030855SN	SCREW M3 L=8.0				1
38	SM8050512TP	SCREW				2
39	40020901	UPPER_X_GEAR_SHAFT				1
40	40020902	DIFFERENTIAL_SENSOR_PLATE				1
41	SL6030692TN	BOLT				2
42	40020903	DIFFERENTIAL_ROLLER_SHAFT				1
43	SM6051602TP	SCREW M5X0.8 L=16				1
44	40020904	DIFFERENTIAL_ROLLER				1
45	RC0100001KP	SNAP RING M10				2
46	40019205	DIF FEED MOTOR ASSY				1
47	SM6041202TP	SCREW M4X0.7 L=12				4

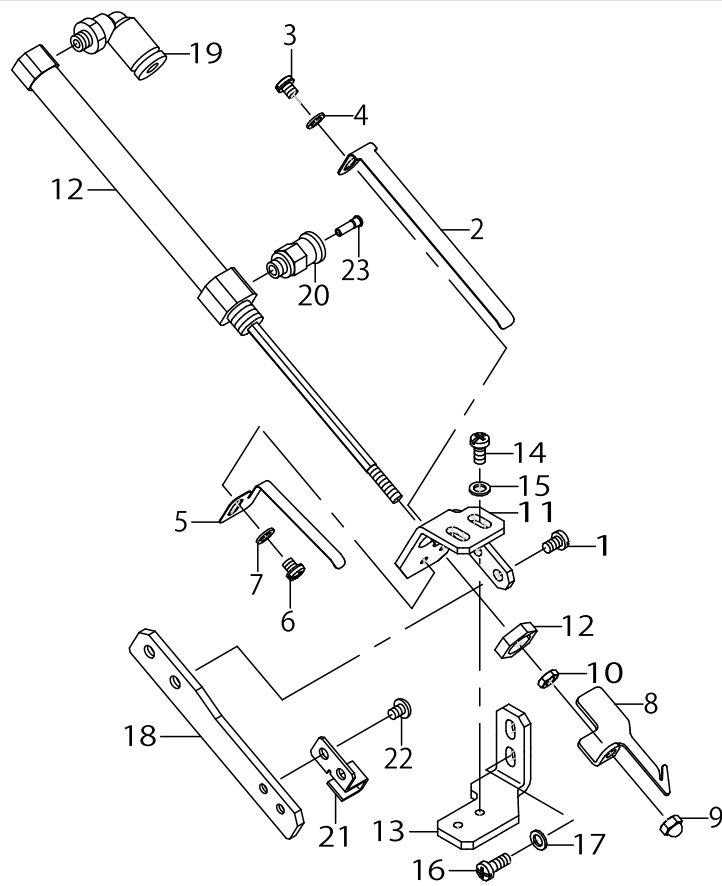
UP DOWN FEED & DIFF FEED COMPONENTS



UP DOWN FEED & DIFF FEED COMPONENTS

No.	Parts No.	Parts name	Remarks	Level	Cons	Qty
48	WP0450846SP	WASHER				4
49	40019191	DIF FEED SENSOR ASSY				1
50	40020905	DIFFRENTIAL_SENSOR_STAY				1
51	SL6041092TN	SCREW				2

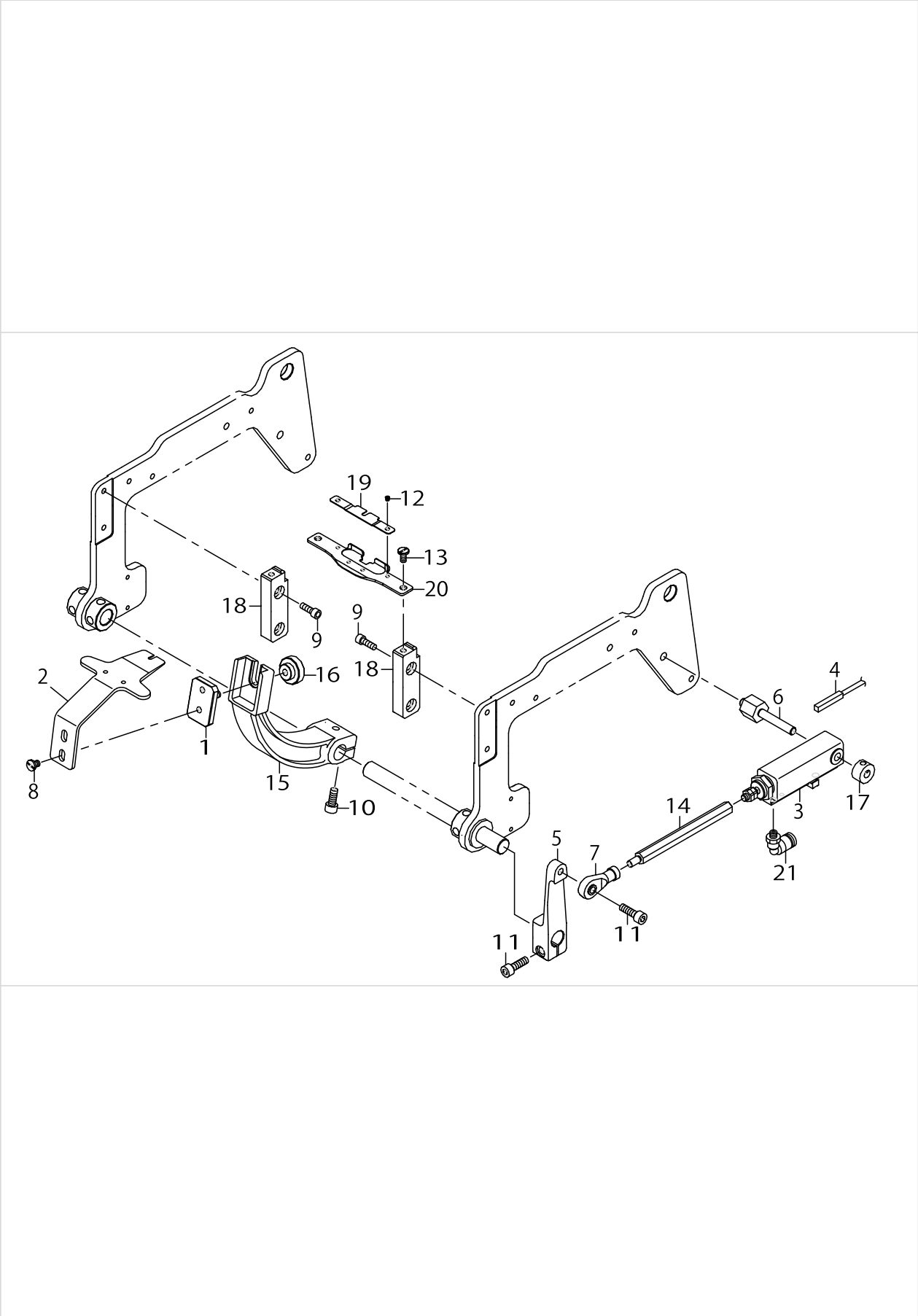
WIPER COMPONENTS



WIPER COMPONENTS

No.	Parts No.	Parts name	Remarks	Level	Cons	Qty
1	SM4040655SP	SCREW M4 L=6				2
2	40020749	SPRING A				1
3	SM4040455SP	SCREW				1
4	WP0450846SP	WASHER				1
5	40020750	SPRING B				1
6	SM4040455SP	SCREW				1
7	WP0450846SP	WASHER				1
8	40020746	WIPER				1
9	NM7040032SC	HEXAGONAL CAP NUT TYPE 3 M4				1
10	NM6040003SC	NUT M4				1
11	40020747	WIPER_CYLINDER_BASE_A				1
12	PA1007502A0	AIR CYLINDER				1
13	40020748	WIPER_CYLINDER_BASE_B				1
14	SM4040855SP	SCREW				2
15	WP0450846SP	WASHER				2
16	SM4041055SP	SCREW				2
17	WP0450846SP	WASHER				2
18	40020751	WIPER_GUIDE				1
19	PJ304040504	ELBOW UNION				1
20	PJ301040502	HALF UNION 4XM5				1
21	40021830	WIPER_GUIDE_B				1
22	SM4030455SN	SCREW				2
23	PC022403E00	INSERT RING				1

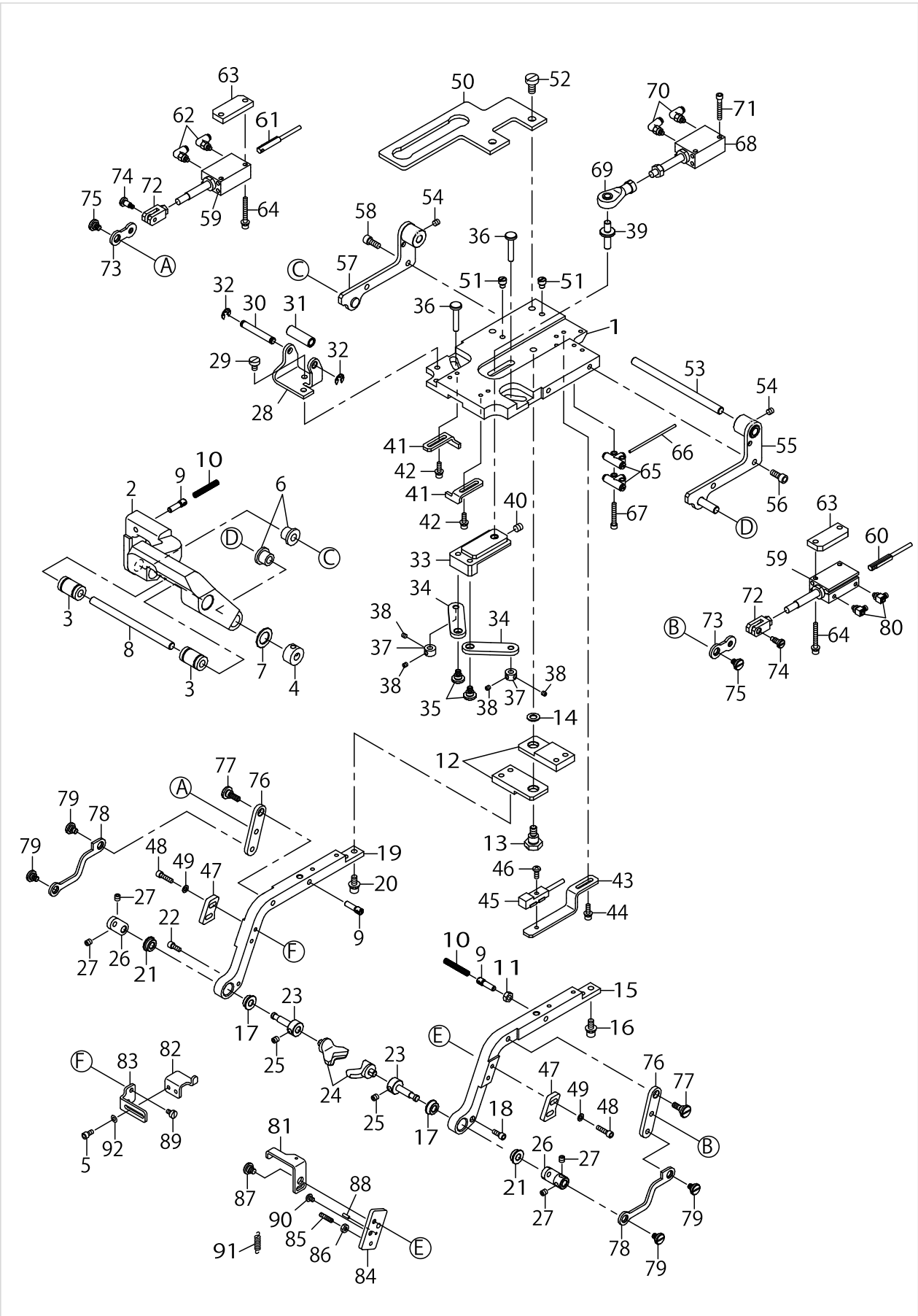
TANG COMPONENTS



TANG COMPONENTS

No.	Parts No.	Parts name	Remarks	Level	Cons	Qty
1	17823550	TANG INSTALLING PLATE ASM.				1
2	40020761	TANG				1
3	PA1603014A0	AIR CYLINDER				1
4	40019199	TONGUE OPEN SWITCH ASSY				1
5	40001994	CLAMP_LINK_B				1
6	40020830	CYLINDER_SHAFT				1
7	B1632180000	FEED ADJUSTING JOINT				1
8	SS6110610TP	SCREW 11/64-40 L=6				2
9	SM6041202TP	SCREW M4X0.7 L=12				4
10	SM6051802TP	SCREW M5 L=18				1
11	SM6051602TP	SCREW M5X0.8 L=16				2
12	SS2060210SP	SCREW 3/32-56 L=2.3				2
13	SM6040860TP	SCREW M4 L=8				2
14	40020768	STUD				1
15	40001986	TANG_ARM				1
16	17823709	TANG KNOB				1
17	G6014880000	LINK THRUST HOLDER				1
18	40020765	UNDER_PLATE_BASE				2
19	40020762	UNDER_PLATE_GUIDE_A				1
20	40020767	UNDER_PLATE_S				1
21	PJ304040504	ELBOW UNION				2

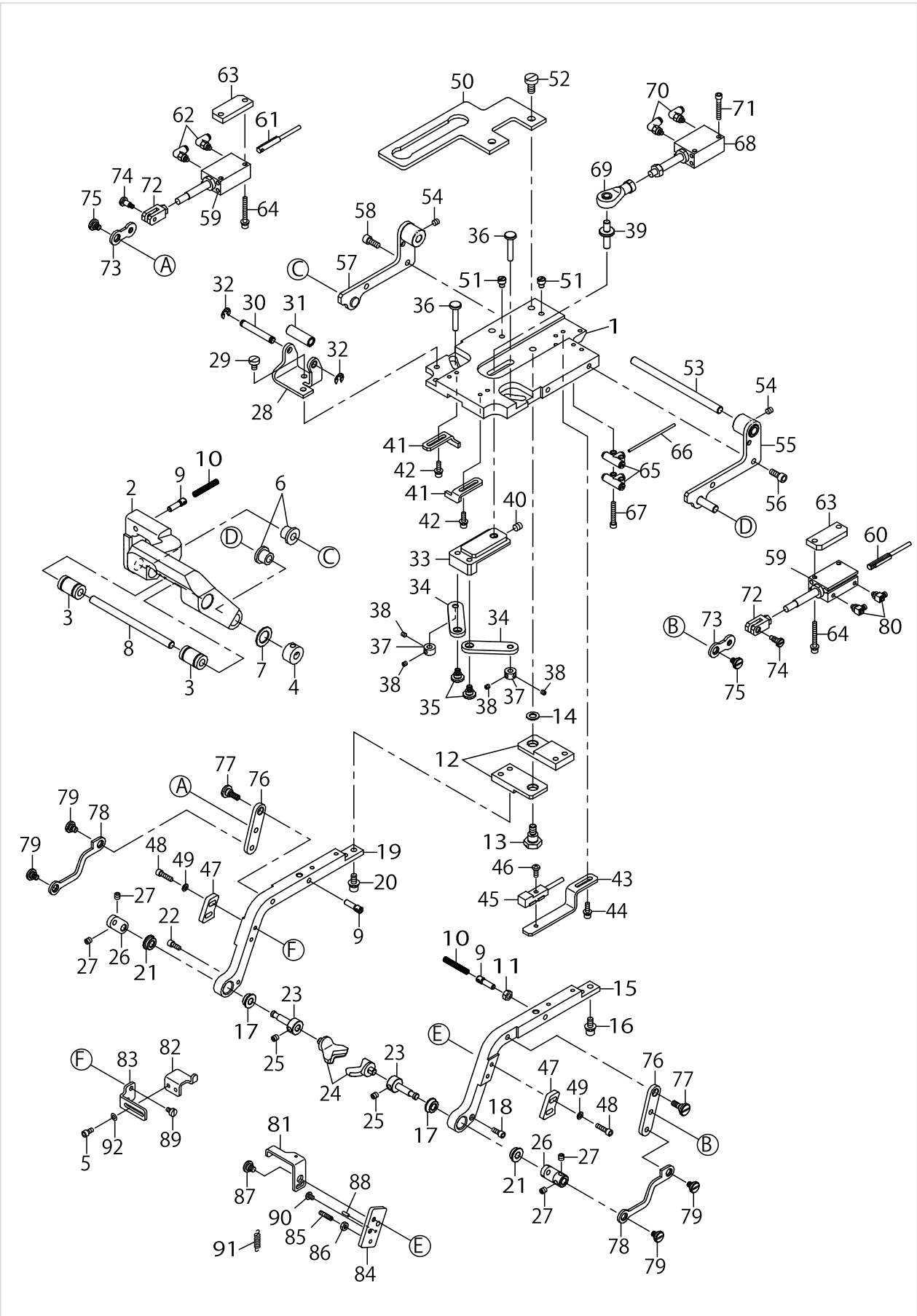
CHUCK COMPONENTS



CHUCK COMPONENTS

No.	Parts No.	Parts name	Remarks	Level	Cons	Qty
1	40020927	DIFFERENTIAL_MB				1
2	40020929	FULCRUM_ARM				1
3	SB706000600	BEARING				2
4	G6014880000	LINK THRUST HOLDER				1
5	SM6030602TP	SCREW M3X0.5 L=6				2
6	GBR01521000	BUSHING				2
7	10523504	WASHER				1
8	40020938	X_FEED_SHAFT_B				1
9	40020945	SPRING_HOOK				3
10	B2052781000	THREAD TRIMMER SPRING A				2
11	NM6040001SD	NUT M4				1
12	40020911	CHUCK_ARM_BASE				2
13	SD0800606TP	SHOULDER SCREW				1
14	40021445	MOVING KNIFE WASHER				1
15	40020913	CHUCK_ARM_R				1
16	SL6041092TN	SCREW				2
17	GEB03626000	DRIVE GEAR SHAFT METAL				2
18	SM6030802TP	SCREW M3X0.5 L=8				1
19	40020912	CHUCK_ARM_L				1
20	SL6041092TN	SCREW				2
21	GEB03626000	DRIVE GEAR SHAFT METAL				2
22	SM6030802TP	SCREW M3X0.5 L=8				1
23	40020914	CHUCK_BASE				2
24	40020931	NAIL_CRAMP_MEDIUM				2
25	SM8040412TP	SET SCREW M4 L=4				2
26	40020916	CHUCK_LINK				2
27	SM8040412TP	SET SCREW M4 L=4				4
28	40020915	CHUCK_LIFTER_BKT				1
29	SM6040600SP	SCREW M4 L=6				2
30	40020933	CHUCK_LIFTER_SHAFT				1
31	40020921	COLLAR				1
32	RE0400000KP	E-RING 4				2
33	40020917	CHUCK_OPEN_KNUCKLE				1
34	40020918	CHUCK_OPEN_LEVER				2
35	SD0600326TP	SHOULDER SCREW D6 H3.2				2
36	40020924	CYLINDER_OPEN_PIN				2
37	CS0400671TP	THRUST COLLAR D=4 W=5.5				2
38	SM8030312TP	SCREW M3 L=3				4
39	40020919	CHUCK_OPEN_LEVER_PIN				1
40	SM8050512TP	SCREW				1
41	40020920	CHUCK_OPEN_STOPPER				2
42	SL6031092TN	SCREW				4
43	40020925	CYLINDER_OPEN_SENSOR_STAY				1
44	SL6031092TN	SCREW				2
45	40019200	CHUCK OPEN SENSOR ASSY				1
46	SM4030855SN	SCREW M3 L=8.0				1
47	40020926	CYLINDER_STOPPER				2

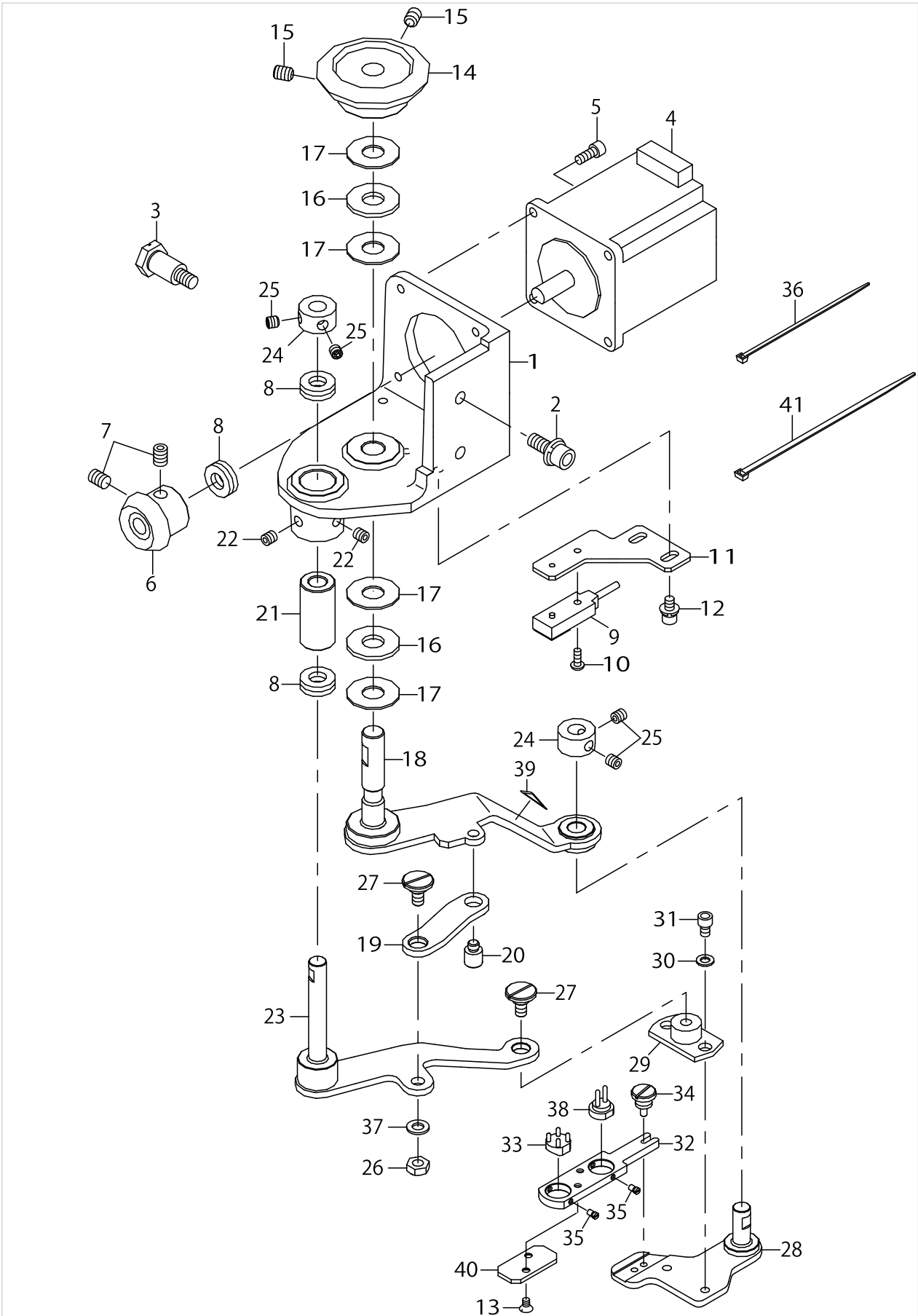
CHUCK COMPONENTS



CHUCK COMPONENTS

No.	Parts No.	Parts name	Remarks	Level	Cons	Qty
48	SM6031202TP	SCREW M3X0.5 L=12				4
49	WP0320500SD	M3 WASHER				4
50	40020928	DIFFERENTIAL_M_B_GUIDE				1
51	40004299	STOPPER_PIN				2
52	SM6051000SP	SCREW				2
53	40020937	X_FEED_SHAFT				1
54	SM8040412TP	SET SCREW M4 L=4				2
55	40020939	ASSY_DIFFERENTIAL_MB_ARM_R				1
56	SM6041002TP	SCREW M4 L=10				2
57	40020943	ASSY_DIFFERENTIAL_M_B_ARM_L				1
58	SM6041002TP	SCREW M4 L=10				2
59	PA0801501A0	AIR CYLINDER				2
60	40019195	CHUCK HOR SWITCH ASSY				1
61	40019196	CHUCK VER SWITCH ASSY				1
62	PJ304020301	ELBOW				2
63	40020934	TURN_CYLINDER_SPACER				2
64	SL6032542TN	SCREW				4
65	PJ305020001	T-JOINT				2
66	BT0180101EB	TUBE HOSE				1
67	SM6032002TP	SCREW M3X0.5 L=20				2
68	PA1002010A0	AIR CYLINDER				1
69	B1632180000	FEED ADJUSTING JOINT				1
70	PJ304020301	ELBOW				2
71	SM6032002TP	SCREW M3X0.5 L=20				2
72	40020922	CYLINDER_KNUCKLE				2
73	40020923	CYLINDER_LINK				2
74	SD0400606TP	SHOULDER SCREW				2
75	SD0600208TP	SHOULDER SCREW				2
76	40020936	TURN_OVER_LINK_UPPER				2
77	SD0600328TP	SHOULDER SCREW				2
78	40020935	TURN_OVER_LINK_LOWER				2
79	SD0600208TP	SHOULDER SCREW				4
80	PJ046039003	ELBOW				2
81	40020946	STOPPER_HOOK_A				1
82	40020947	STOPPER_HOOK_B				1
83	40020948	HOOK_ADJUST				1
84	40020949	STOPPER_BASE				1
85	E3018721000	SPRING STUD A				1
86	NM6030001SC	NUT M3				1
87	SD0600208TP	SHOULDER SCREW				1
88	PS0200062KH	SPRING PIN 2X6				1
89	SM6030500SN	SCREW M3 L=5				2
90	SM4030455SN	SCREW				2
91	D3067180S00	SPRING				1
92	WP0320501SC	WASHER M3				2

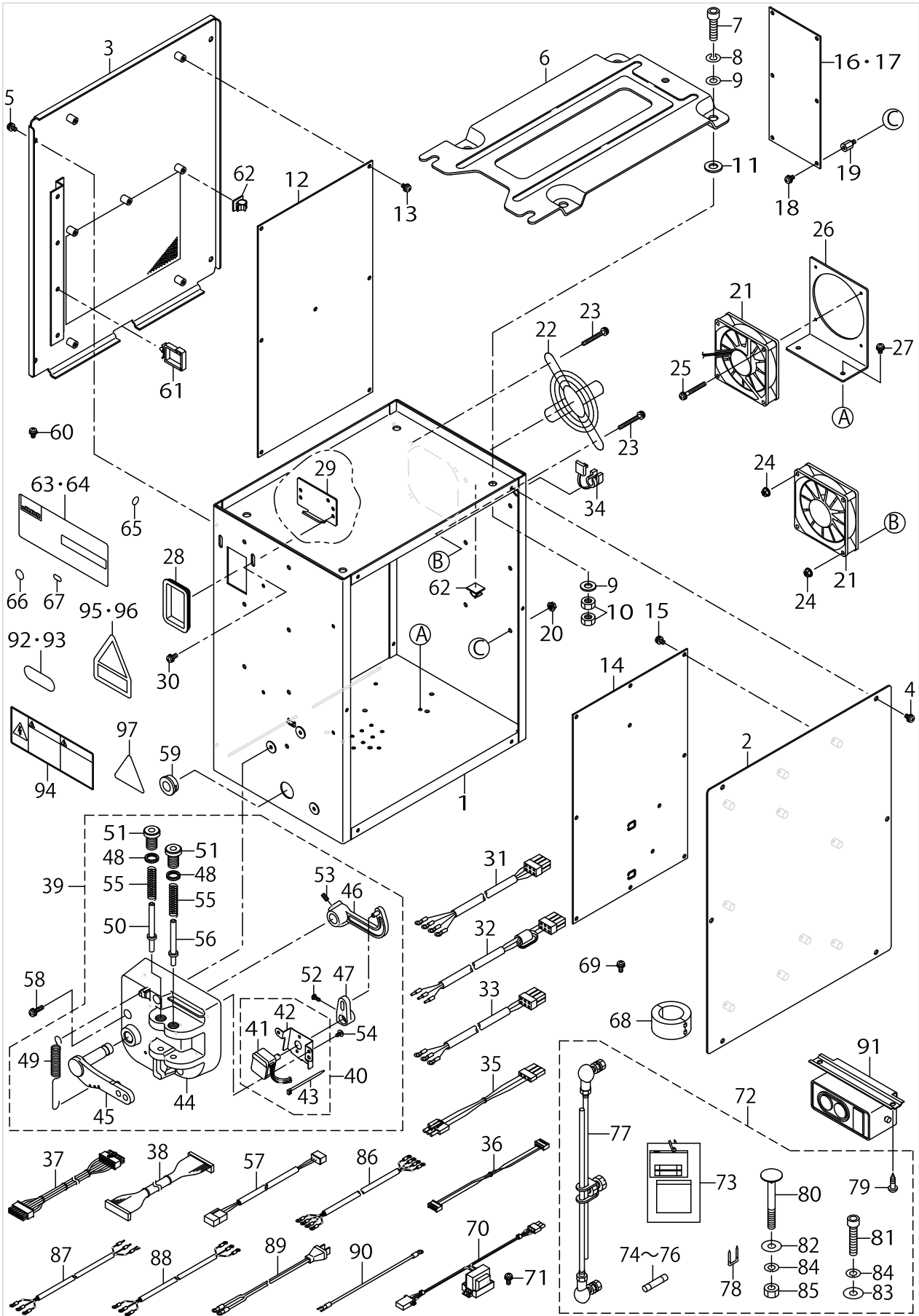
LOADER COMPONENTS



LOADER COMPONENTS

No.	Parts No.	Parts name	Remarks	Level	Cons	Qty
1	40001996	GEAR_BOX				1
2	SL6062092TN	SCREW M6 L=20				2
3	SD1001526TP	SHOULDER SCREW				1
4	40019208	LOADER MOTOR ASSY				1
5	SM6041402TP	SCREW M4 L=14				4
6	40020958	GEAR A				1
7	SM8060812TP	SCREW M6 L=8				2
8	SB408000100	BEARING				3
9	40019194	LOADER SENSOR ASSY				1
10	SM4030855SN	SCREW M3 L=8.0				1
11	40020976	LOADER_SENSOR_PLATE				1
12	SL6040892TN	BOLT				2
13	SM1030501SC	SCREW M3 L=5				2
14	40020959	GEAR_B				1
15	SM8060812TP	SCREW M6 L=8				2
16	11272408	THRUST COLLAR				2
17	16992604	THRUST WASHER				4
18	40020966	ASSY_CARRIER_ARM_A				1
19	40020975	CONNECTING_LINK				1
20	40020978	SCREW_PIN				1
21	40020973	ADJUSTING_METAL				1
22	SM8050512TP	SCREW				2
23	40020970	ASSY_CARRIER_ARM_B				1
24	CS0800971TP	THRUST COLLAR D=8 W=9				2
25	SM8050512TP	SCREW				4
26	NM6050001SP	NUT M5				1
27	SD0800327TP	SHOULDER SCREW				2
28	40020963	ASSY_CARRIER_LINK				1
29	40020974	ADJUSTING_BOSS				1
30	WP0430800SC	WASHER M4				2
31	SM6040602TP	SCREW M4 L=6				2
32	40020977	BUTTON_CARRIER_BASE				1
33	17857400	BUTTON CARRIER			☆	1
34	40020979	CARRIER_SET_SCREW				1
35	SM6850350TP	FLAT SCREW			☆	2
36	EA9500B0100	CABLE BAND				1
37	WP0531000SD	WASHER M5				1
38	17858606	BUTTON CARRIER				1
39	CM300200001	ATTENTION SEAL				1
40	40020980	CARRIER_BASE_COVER				1
41	EA9500B0200	CABLE BAND 150				1

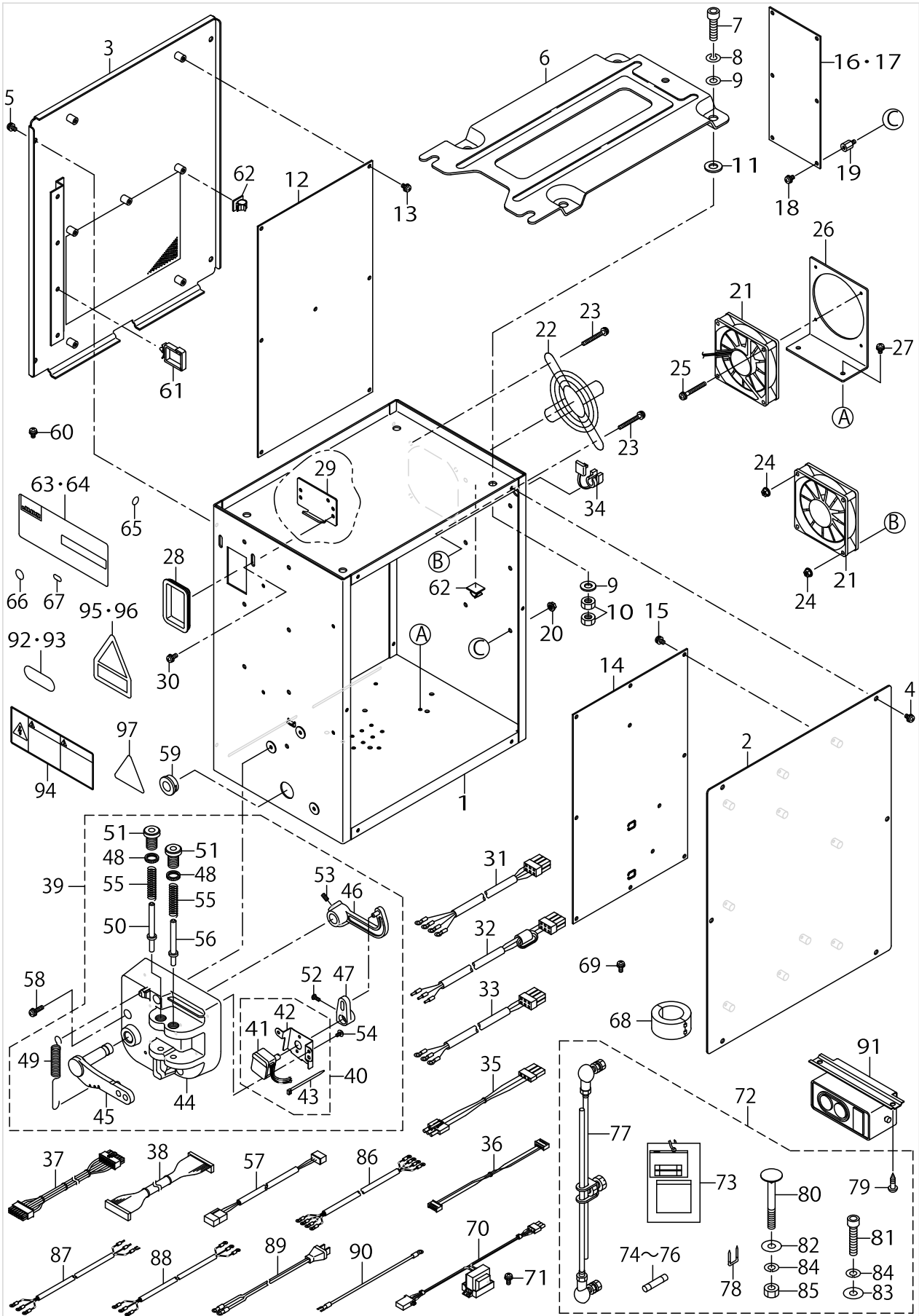
CONTROL BOX COMPONENTS



CONTROL BOX COMPONENTS

No.	Parts No.	Parts name	Remarks	Level	Cons	Qty
1	40003451	CONTROL BOX				1
2	40003452	CONTROL BOX FRONT COVER				1
3	40003453	CONTROL BOX REAR COVER				1
4	SL4040891SC	SCREW M4 L=8				6
5	SL4040891SC	SCREW M4 L=8				4
6	M3801476000	CONTROL BOX FITTING PLATE				1
7	SM6083002TN	SCREW M8 L=30				4
8	WS0820002KR	SPRING WASHER M8				4
9	WP0841601SC	WASHER 8.4X17.4X1.6				8
10	NM6080001SC	NUT M8X1.25				8
11	M4206461000	WASHER				4
12	40000012	MAIN PCB A ASSY				1
13	SL4040881SC	SCREW M4 L=8				7
14	40000029	SDC PCB A ASS'Y				1
15	SL4040881SC	SCREW M4 L=8				10
16	40000056	FLT-T PCB A ASS'Y	FOR EXPORT/USE IN JAPAN(3 φ), U- SE IN JAPAN(1 φ 100V)			1
17	40000046	FLT-S PCB A ASS'Y	FOR CE,EXPORT(1 φ)			1
18	SL4040881SC	SCREW M4 L=8				6
19	HX003390000	STUD				6
20	NM3040520SC	NUT M4				6
21	40005401	FAN MOTOR ASS'Y				2
22	HM000480010	FINGER GUARD				1
23	SL4043591SC	SCREW				4
24	NM3040520SC	NUT M4				4
25	SL4033091SC	SCREW M3 L=30				4
26	40005404	FAN MOTOR BRACKET				1
27	SL4040891SC	SCREW M4 L=8				2
28	HX004070000	BUSH				1
29	17845009	CORD FITTING PLATE				1
30	SL4041091SC	SCREW M4 L=10				2
31	40005391	POWER CORD 3P ASSY	FOR EXPORT/USE IN JAPAN(3 φ), U- SE IN JAPAN(1 φ 100V)			1
32	40005392	POWER CORD 1P ASS'Y	FOR CE			1
33	40005388	POWER CORD 1P220V ASSY	FOR EXPORT(1 φ)			1
34	HX00410000A	STRAIN RELIEF BUSHING				1
35	40005393	FLT-SDC CORD P ASS'Y	FOR EXPORT/USE IN JAPAN(3 φ), U- SE IN JAPAN(1 φ - 100V), EXPORT(1 φ)			1
36	40005394	FLT-SDC CORD S ASS'Y				1
37	40005395	SDC-MAIN CORD P ASS'Y				1
38	40005396	SDC-MAIN CORD S ASS'Y				1
39	40005980	PEDAL SENSOR UNIT A ASM.				1
40	40005981	SENSOR FITTING PLATE A ASM.		*		1
41	40005982	PEDAL SENSOR A ASM.		*		1
42	M4006461000	SENSOR INSTALLING PLATE		*		1
43	EA9500B0100	CABLE BAND		*		1

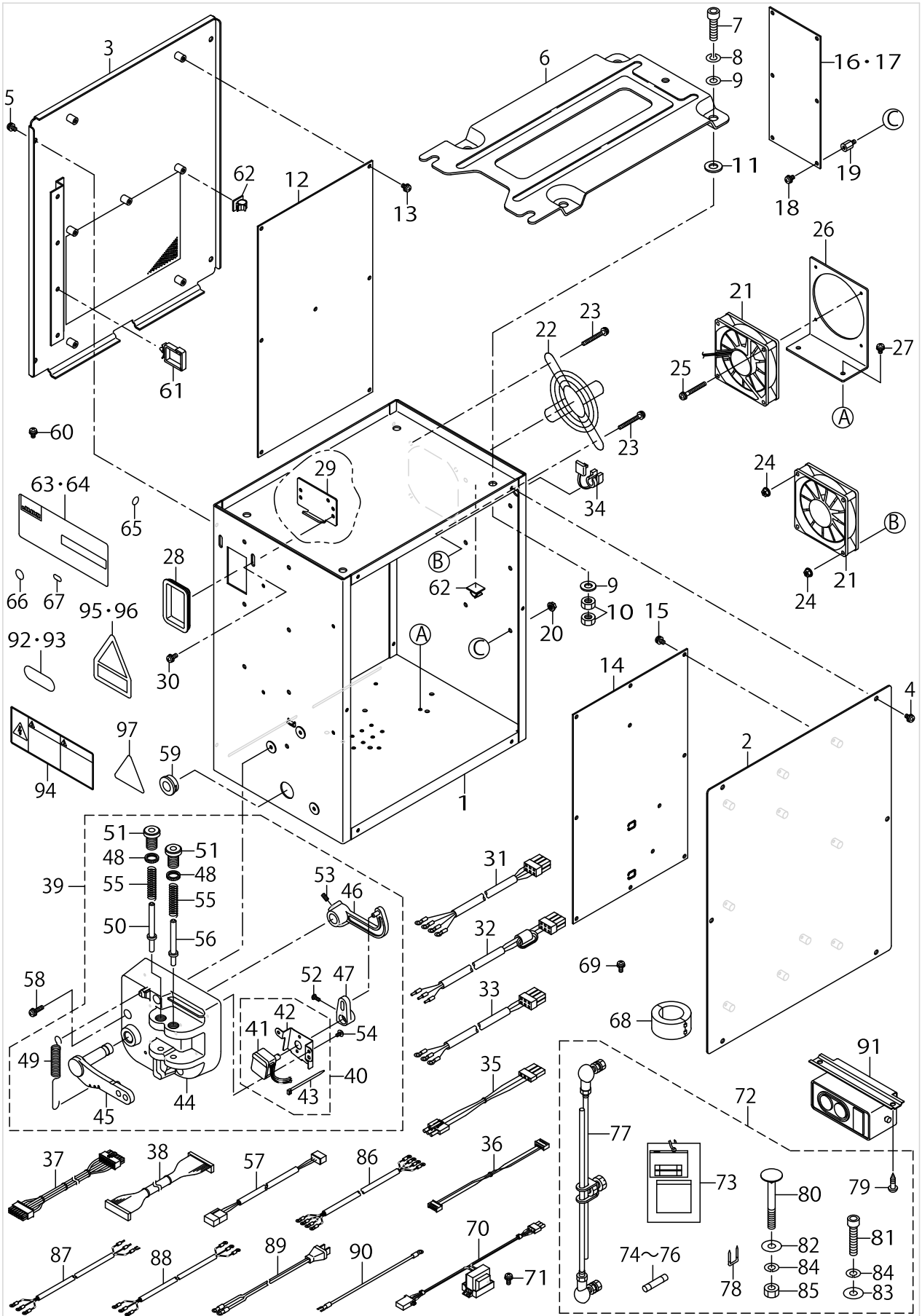
CONTROL BOX COMPONENTS



CONTROL BOX COMPONENTS

No.	Parts No.	Parts name	Remarks	Level	Cons	Qty
44	M4001461000	PEDAL SENSOR BASE		*		1
45	M4002461000	PEDAL LEVER		*		1
46	M4004461000	PEDAL RING		*		1
47	M4005461000	VOLUME LINK		*		1
48	M2010110000	ADJUST NUT		*		2
49	M4007351000	FRONT SPRING		*		1
50	M4008351000A	SPRING SHAFT A		*		1
51	M4012351000	ADJUST SCREW		*		1
52	SM4030801SF	SCREW M3X0.5 L=8		*		1
53	SM8040802TP	SCREW M4X8		*		2
54	SV4030601SR	SCREW M3 L=6		*		2
55	M4011351000	SPRING B		*		2
56	M4009351000A	SPRING SHAFT B		*		1
57	40021048	PEDAL SENSOR JOINT CORD ASSY				1
58	SL4041681SF	SCREW M4 L=16				3
59	HX00188000D	BUSH				1
60	SL4040891SC	SCREW M4 L=8				2
61	HX005110000	WIRE SADDLE				3
62	E9607603000	STICKER (SMALL)				2
63	40015603	RATING LABEL (BLANK)	FOR EXPORT/USE IN JAPAN(3φ), U- SE IN JAPAN(1φ- 100V), EXPORT(1φ)			1
64	40013870	CE RATING LABEL(BLANK)	FOR CE			1
65	E9567319000	EARTH MARK				1
66	CM200100001	PE MARK LABEL	FOR CE			1
67	40003458	MASK SEAL				10
68	HN002460000	CORES	FOR CE			1
69	SL4041081SC	SCREW M4 L=10	FOR CE			1
70	40012038	REACTOR CORD ASSY	FOR CE			1
71	SL4041091SC	SCREW M4 L=10	FOR CE			2
72	40005385	ACCESSORIE PARTS A ASM.				1
73	M300451100A	VOLTAGE INDICATION CARD A		*		1
74	HF00130315S	FUSE 3.15A 250V REF. NO.112		*		1
75	HF003000200	FUSE 2A (220/240V)		*		1
76	HF0013050P0	FUSE 5A		*		1
77	22958458	CONNECTING ROD ASM. B		*		1
78	MA011532000	STAPLE		*		3
79	SK3512001SE	WOOD SCREW D=5.1 L=20		*		2
80	MTSHJ100003	BOLT		*		2
81	SM6084002TN	SCREW M8 L=40		*		1
82	WP0852086SC	WASHER M8		*		2
83	WP0841601SC	WASHER 8.4X17.4X1.6		*		1
84	WS0820002KR	SPRING WASHER M8		*		3
85	NM6080002SC	NUT M8		*		2
86	M90175800A0	POWER CABLE ASM.	FOR EXPORT/USE IN JAPAN(3φ)			1
87	40005390	JE POWER CABLE ASM	FOR CE			1
88	M90245800A0	POWER CABLE ASM. 100V	FOR EXPORT(1φ)			1

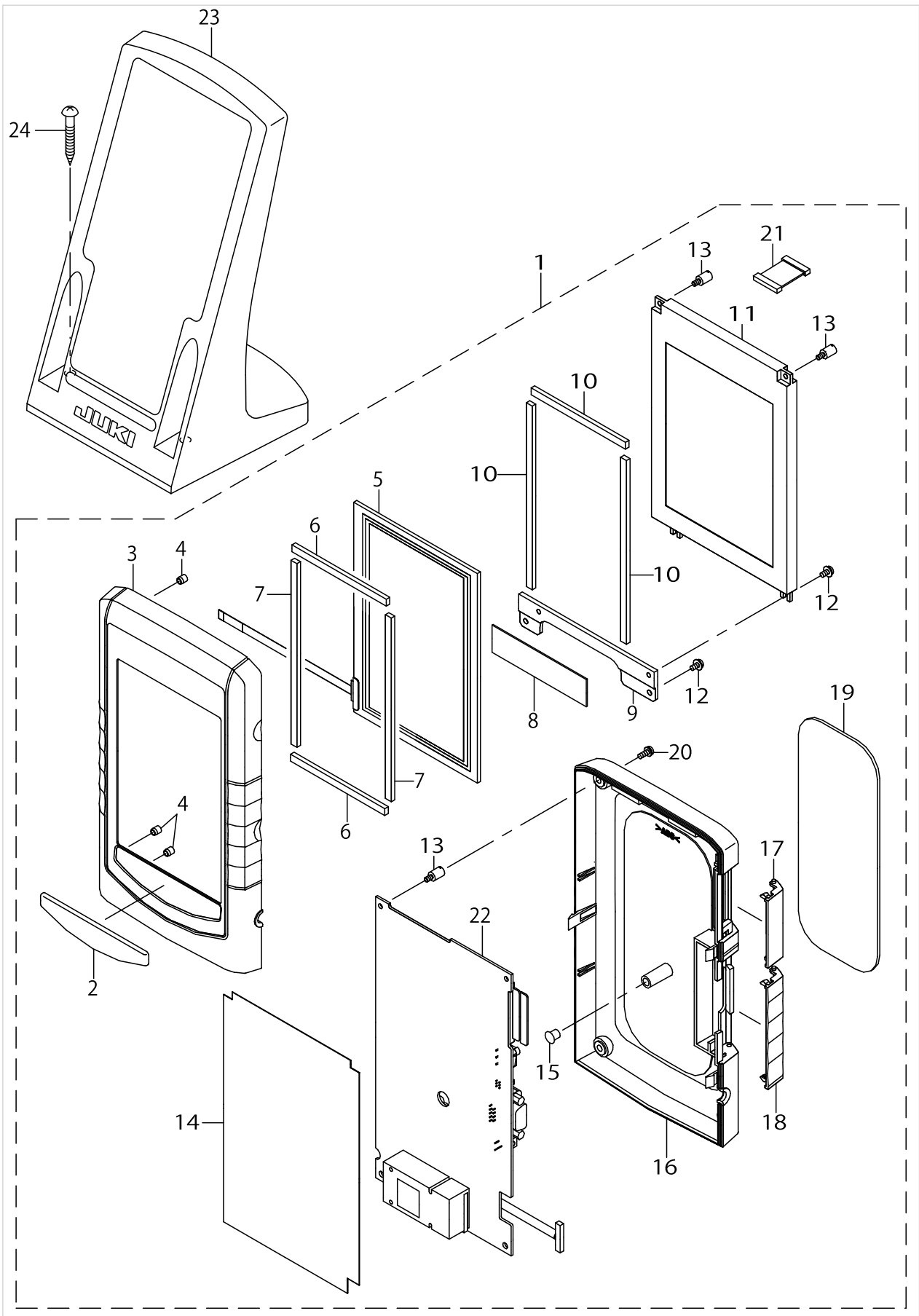
CONTROL BOX COMPONENTS



CONTROL BOX COMPONENTS

No.	Parts No.	Parts name	Remarks	Level	Cons	Qty
89	M90355800A0	POWER SOURCE CORD ASM.	FOR USE IN JAPAN(1 φ 100V)			1
90	M90345800A0	GROUND CORD ASM.	FOR USE IN JAPAN(1 φ 100V)			1
91	HA004250000	SWITCH	FOR EXPORT/USE IN JAPAN(3 φ), U- SE IN JAPAN(1 φ - 100V), EXPORT(1 φ)			1
92	BME03200000	VOLTAGE INDICATION SEAL	FOR EXPORT/USE IN JAPAN(3 φ)			1
93	BME01100000	VOLTAGE INDICATION SEAL	FOR USE IN JAPAN(1 φ 100V)			1
94	CM300100401	LABEL 3 (LARGE)	FOR EXPORT/USE IN JAPAN(3 φ), U- SE IN JAPAN(1 φ 100V)			1
95	CM300400701	VOLTAGE CAUTION LABEL	FOR EXPORT/USE IN JAPAN(3 φ)			1
96	CM300400601	VOLTAGE CAUTION LABEL	FOR CE,EXPORT(1 φ)			1
97	CM300100003	VOLTAGE WARNING LABEL(25)	FOR CE,EXPORT(1 φ)			1

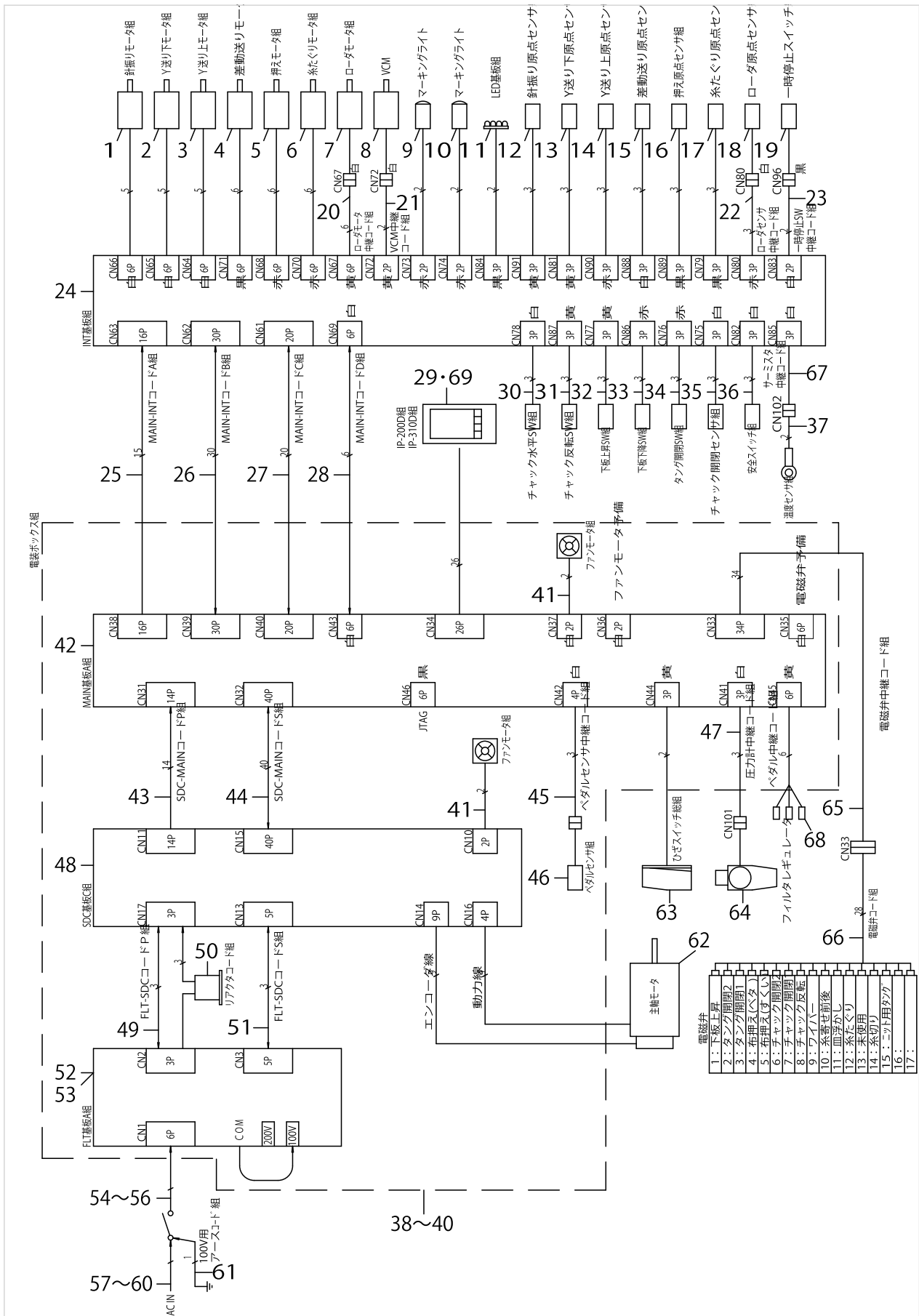
OPERATION PANEL COMPONENTS



OPERATION PANEL COMPONENTS

No.	Parts No.	Parts name	Remarks	Level	Cons	Qty
1	40009941	IP-200D ASSY				1
2	40000131	NAME_PLATE		*		1
3	40000132	OPERATION_PANEL_F		*		1
4	40000133	INSERT_NUT		*		6
5	A3906010000	TOUCH PANEL		*		1
6	40000134	TTP_H_FELT		*		2
7	40000135	TTP_V_FELT		*		2
8	40000136	KEY_SHEET		*		1
9	40000137	LCD_BASE_PLATE		*		1
10	40000138	BOTHSIDES_TAPE		*		3
11	A39500100A0	LCD		*		1
12	SL4030691SC	SCREW M3X6		*		4
13	40000139	STUD		*		6
14	40000140	ISOLATION_SHEET		*		1
15	TA0550604R0	RUBBER PLUG		*		1
16	40000141	OPERATION_PANEL_R		*		1
17	40000142	SM_COVER		*		1
18	40000143	SERIAL_COVER		*		1
19	40000144	OPERATION_PANEL_MAGNET		*		1
20	SL4030881SC	SCREW M3X8		*		4
21	40000146	LCD_CABLE_ASS'Y		*		1
22	40000148	PANEL_PCB_A_ASS'Y		*		1
23	40035024	OPERATION_BOX_FIXED_PLATE(B)ASM				1
24	SK3413201SE	WOOD SCREW D=4.1 L=32				2

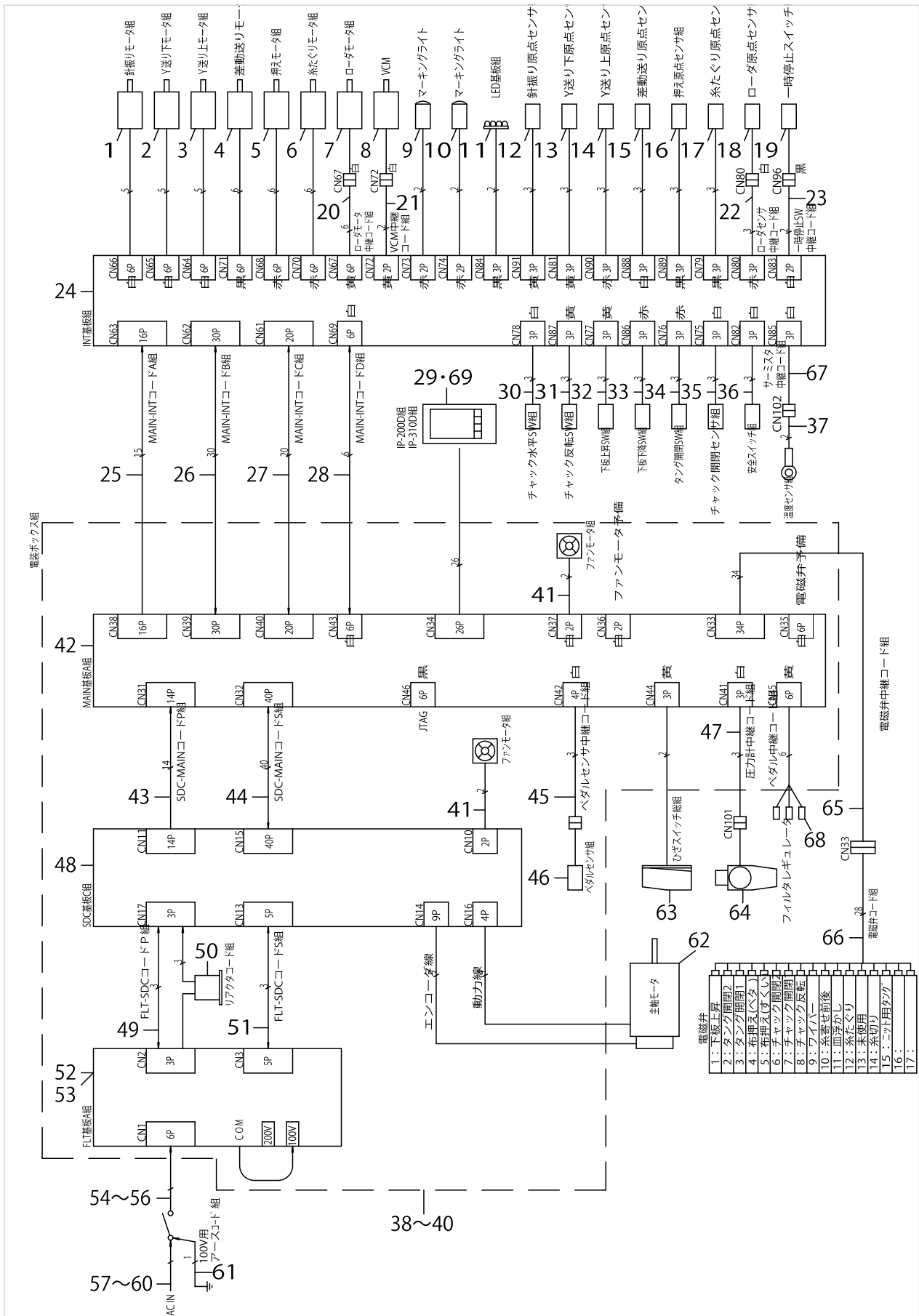
WIRING DIAGRAM COMPONENTS



WIRING DIAGRAM COMPONENTS

No.	Parts No.	Parts name	Remarks	Level	Cons	Qty
1	40019202	NEEDLE SWING MOTOR				1
2	40019203	LOWER FEED MOTOR ASSY				1
3	40019204	UPPER FEED MOTOR ASSY				1
4	40019205	DIF FEED MOTOR ASSY				1
5	40019206	PRESS MOTOR ASSY				1
6	40019207	THREAD MOTOR ASSY				1
7	40019208	LOADER MOTOR ASSY				1
8	40020700	VCM				1
9	40019209	LIGHT MARKING PROJECTOR				1
10	40019209	LIGHT MARKING PROJECTOR				1
11	40018377	LED PCB ASSY				1
12	40019188	NEEDLE SWING SENSOR ASSY				1
13	40019189	LOWER FEED SENSOR ASSY				1
14	40019190	UPPER FEED SENSOR ASSY				1
15	40019191	DIF FEED SENSOR ASSY				1
16	40019192	PRESS SENSOR ASSY				1
17	40019193	THREAD SENSOR ASSY				1
18	40019194	LOADER SENSOR ASSY				1
19	32002354	SWITCH ASM.				1
20	40021152	LOADER MOTOR JOINT CORD ASSY				1
21	40021154	VCM JOINT CORD ASSY				1
22	40021153	LOADER SENSOR JOINT CORD ASSY				1
23	40012836	PAUSE SWITCH JOINT CORD ASSY				1
24	40012197	INT PCB ASSY				1
25	40000079	MAIN-INT CORD A ASSY				1
26	40000080	MAIN-INT CORD B ASSY				1
27	40000082	MAIN-INT CORD C ASSY				1
28	40000084	MAIN-INT CORD D ASSY				1
29	40009941	IP-200D_ASSY				1
30	40019195	CHUCK HOR SWITCH ASSY				1
31	40019196	CHUCK VER SWITCH ASSY				1
32	40019197	FEED UP SWITCH ASSY				1
33	40019198	FEED DOWN SWITCH ASSY				1
34	40019199	TONGUE OPEN SWITCH ASSY				1
35	40019200	CHUCK OPEN SENSOR ASSY				1
36	40019201	SAFETY SWITCH ASSY				1
37	40022474	THERMISTOR ASSY				1
38	40012832	CONTROL BOX A ASSY	FOR EXPORT/USE IN JAPAN (3 φ 200- ~240V), USE IN J- APAN(1 φ 100V)			1
39	40012833	CONTROL BOX B ASSY	FOR CE(1 φ 230V)			1
40	40012834	CONTROL BOX C ASSY	FOR EXPORT(1 φ 200~240V)			1
41	40005401	FAN MOTOR ASS'Y		*		2
42	40000012	MAIN PCB A ASSY		*		1
43	40005395	SDC-MAIN CORD P ASS'Y		*		1
44	40005396	SDC-MAIN CORD S ASS'Y		*		1
45	40021048	PEDAL SENSOR JOINT CORD ASSY		*		1

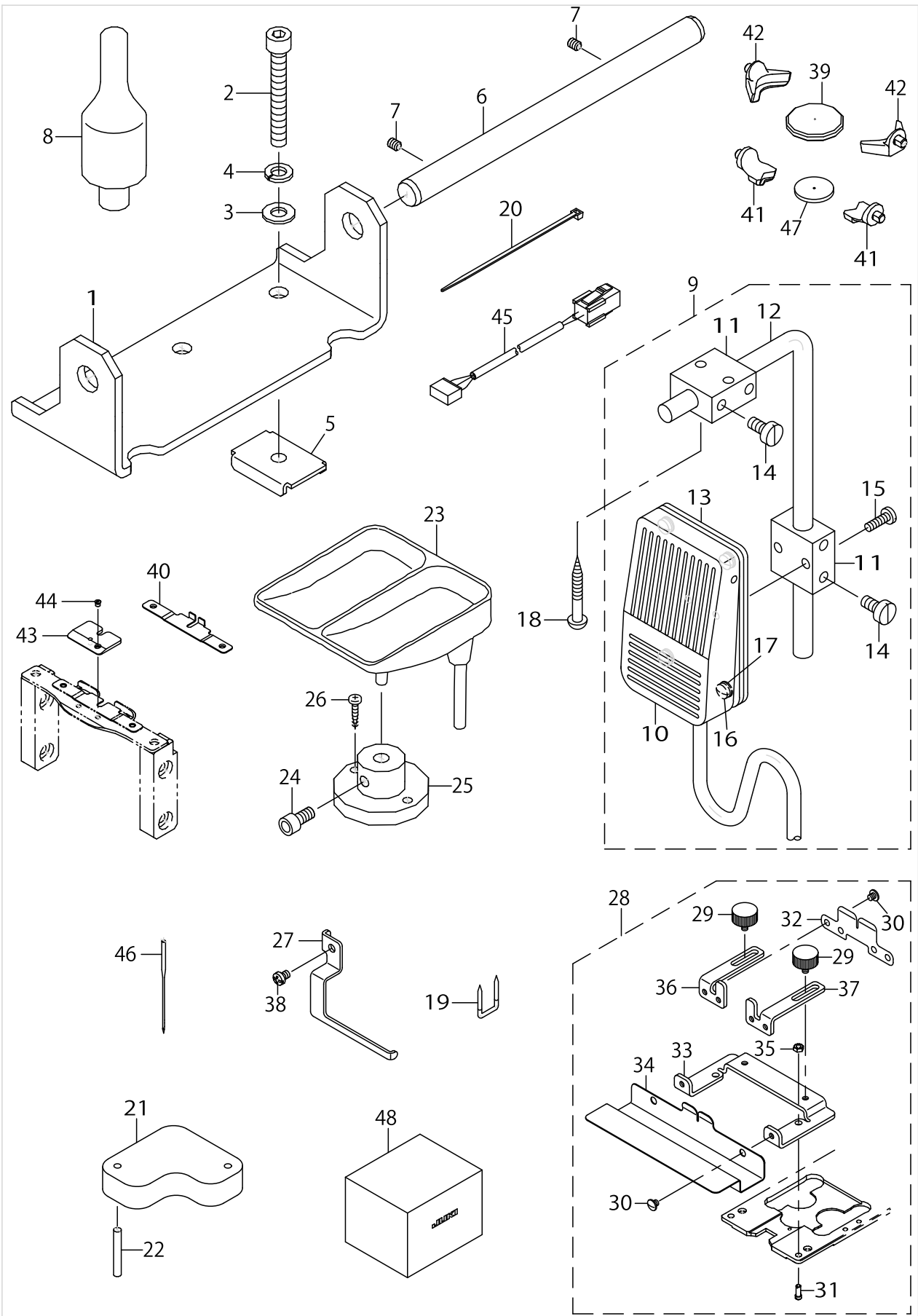
WIRING DIAGRAM COMPONENTS



WIRING DIAGRAM COMPONENTS

No.	Parts No.	Parts name	Remarks	Level	Cons	Qty
46	40005980	PEDAL SENSOR UNIT A ASM.		*		1
47	40000085	PRESS GAUGE JOINT CORD ASSY		*		1
48	40023271	SDC PCB C ASSY		*		1
49	40005393	FLT-SDC CORD P ASS'Y	FOR EXPORT/USE IN JAPAN (3 φ 200- ~240V), USE IN J- APAN(1 φ 100V), E- XPORT(1 φ 200~240V)	*		1
50	40012038	REACTOR CORD ASSY	FOR CE(1 φ 230V)	*		1
51	40005394	FLT-SDC CORD S ASS'Y		*		1
52	40000056	FLT-T PCB A ASS'Y	FOR EXPORT/USE IN JAPAN (3 φ 200- ~240V), USE IN J- APAN(1 φ 100V)	*		1
53	40000046	FLT-S PCB A ASS'Y	FOR CE(1 φ 230V), EXPORT(1 φ 200~240V)	*		1
54	40005391	POWER CORD 3P ASSY	FOR EXPORT/USE IN JAPAN (3 φ 200- ~240V), USE IN J- APAN(1 φ 100V)			1
55	40005392	POWER CORD 1P ASS'Y	FOR CE(1 φ 230V)			1
56	40005388	POWER CORD 1P220V ASSY	FOR EXPORT(1 φ 200~240V)			1
57	M90245800A0	POWER CABLE ASM. 100V	FOR EXPORT(1 φ 200~240V)			1
58	40005390	JE POWER CABLE ASM	FOR CE(1 φ 230V)			1
59	M90175800A0	POWER CABLE ASM.	FOR EXPORT/USE IN JAPAN (3 φ 200~240V)			1
60	M90355800A0	POWER SOURCE CORD ASM.	FOR USE IN JAPAN(1 φ 100V)			1
61	M90345800A0	GROUND CORD ASM.	FOR USE IN JAPAN(1 φ 100V)			1
62	40003470	AC SERVO MOTOR				1
63	40021177	KNEE SWITCH FULL ASSY				1
64	40019187	FILTER REGULATOR				1
65	40019236	AIR VALVE JOINT CORD ASSY				1
66	40019210	AIR VALVE CORD ASSY				1
67	40022475	THERMISTOR JOINT CORD ASSY				1
68	40029422	PEDAL RELAY CORD ASSY	OPTIONAL PARTS			1
69	40059301	IP-310D COMPLETE				1

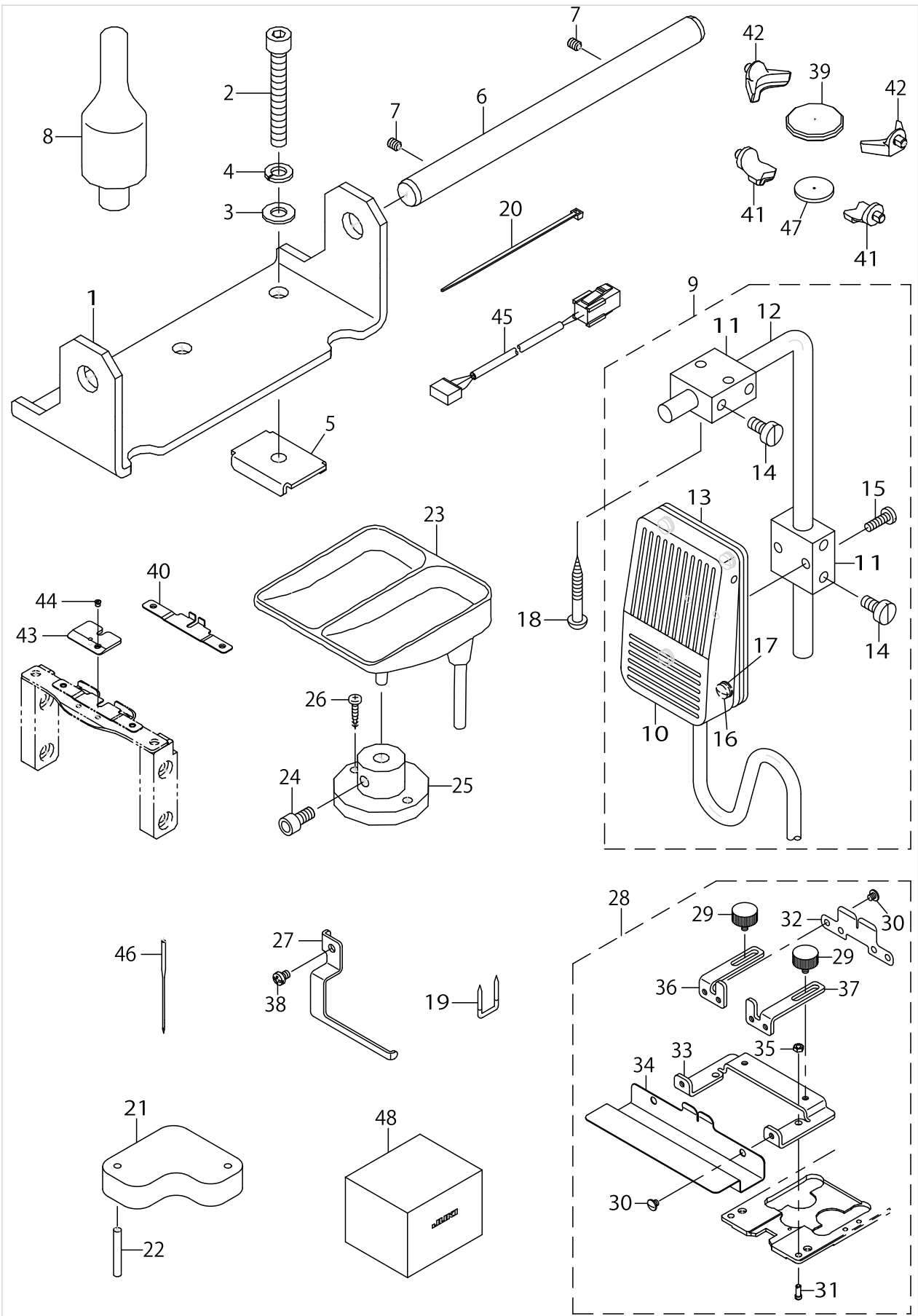
ACCESSORIE PART COMPONENTS (1)



ACCESSORIE PART COMPONENTS (1)

No.	Parts No.	Parts name	Remarks	Level	Cons	Qty
1	40021009	ARM_STAY				1
2	SM6086002TP	SCREW				3
3	WP0841601SC	WASHER 8.4X17.4X1.6				3
4	WS0820002KN	SPRING WASHER M8				3
5	17007402	NUT				3
6	40021008	ARM_STAY_SHAFT				1
7	SM8050612TP	SCREW M5X6				2
8	14101208	HEAD SUPPORT BAR				1
9	40021177	KNEE SWITCH FULL ASSY				1
10	40021176	KNEE SWITCH ASSY		*		1
11	MAT80230T00	KNEE SWITCH SUPPORT BASE		*		2
12	MAT80231T00	DRIVING BAR T002		*		1
13	MAT80232T00	KNEE SWITCH SUPPORT PLATE		*		1
14	SS6151220SP	SCREW 15/64-28 L=11.5		*		4
15	SS7111410SP	SCREW 11/64-40 L=14		*		2
16	SS7110710SL	SCREW 11/64-40 L=7.0		*		4
17	WP0480856SP	WASHER 4.8X8.4X0.8		*		4
18	SK3514000SC	WOOD SCREW D=5.1 L=40				2
19	MAO11532000	CORD STAPLE				1
20	EA9500B0100	CABLE BAND				3
21	B8171223C00	RUBBER ABSORBER				1
22	PH0400284S0	PIN 4.0X28				2
23	17848458	BUTTON TRAY ASM.				1
24	SM6061202TP	SCREW M6 L=12				1
25	40033635	BUTTON TRAY BASE				1
26	SK3412000SC	WOOD SCREW D=4.1 L=20				2
27	40021006	FINGER_GUARD				1
28	40021015	ASSY_BUTTON HOLDER				1
29	E2076721000	BU HAND KNOB		*		2
30	SM0030301SN	SCREW		*		4
31	40020877	HOLDER_PIN		*		2
32	40020879	HOLDER_PLATE_B		*		1
33	40020882	HOLDER_BASE		*		1
34	40020878	HOLDER_PLATE_A		*		1
35	NM6030001SC	NUT M3		*		2
36	40020880	HOLDER_GUIDE_A		*		1
37	40020881	HOLDER_GUIDE_B		*		1
38	SM4040655SP	SCREW M4 L=6				1
39	40021012	LARGE_GAUGE				1
40	40020773	UNDER_PLATE_GUIDE_C				1
41	40020932	NAIL_CRAMP_SMALL				2
42	40020930	NAIL_CRAMP_LARGE				2
43	40024295	ASSY_UNDER_PLATE_SPACER_A				1
44	SS2060210SP	SCREW 3/32-56 L=2.3				2
45	40000085	PRESS GAUGE JOINT CORD ASSY				1
46	MSM3AAN1400	NEEDLE SMX332EXTLG-NY #14				10
47	40021011	SMALL_GAUGE				1

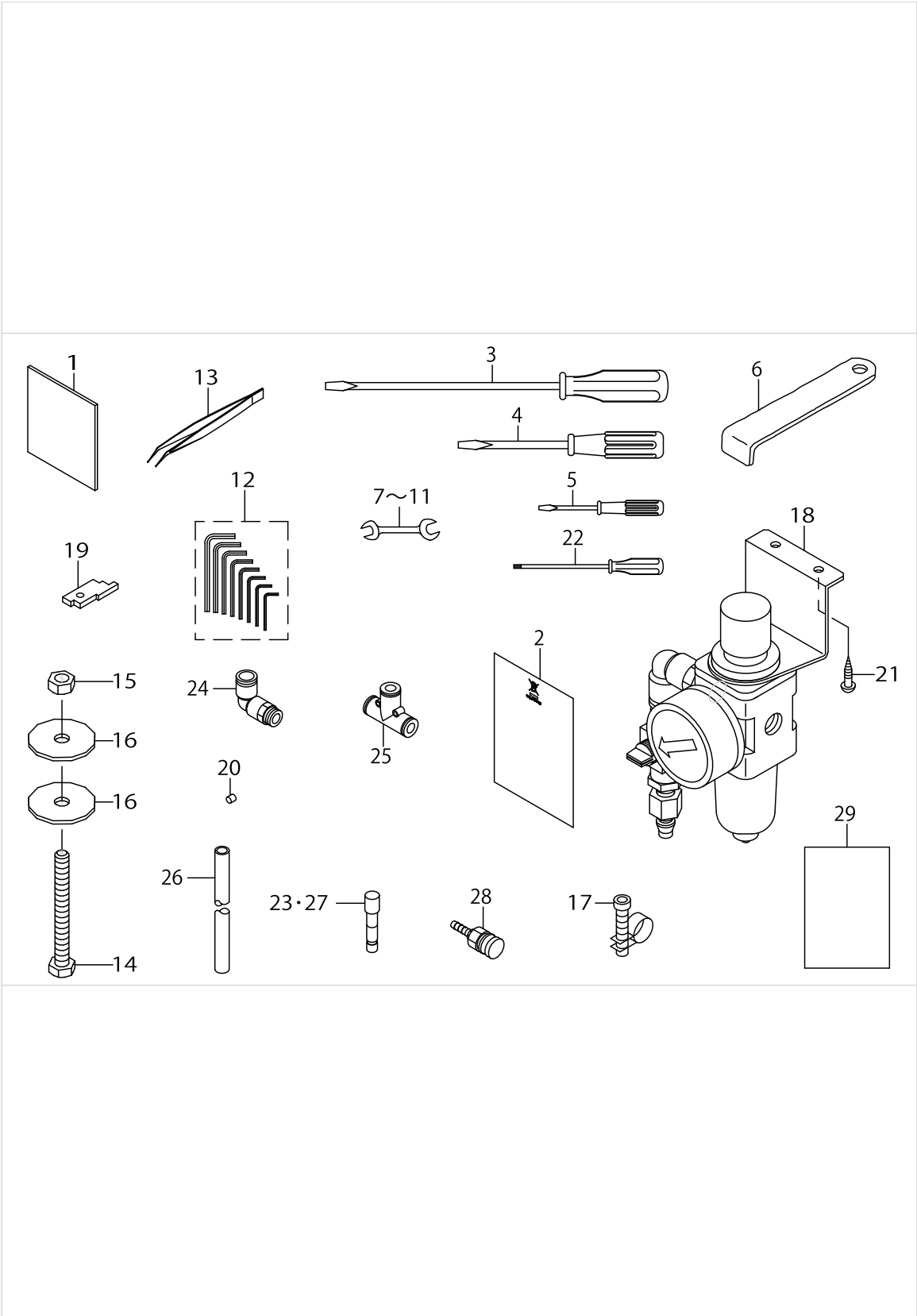
ACCESSORIE PART COMPONENTS (1)



ACCESSORIE PART COMPONENTS (1)

No.	Parts No.	Parts name	Remarks	Level	Cons	Qty
48	40048664	HEAD_COVER				1

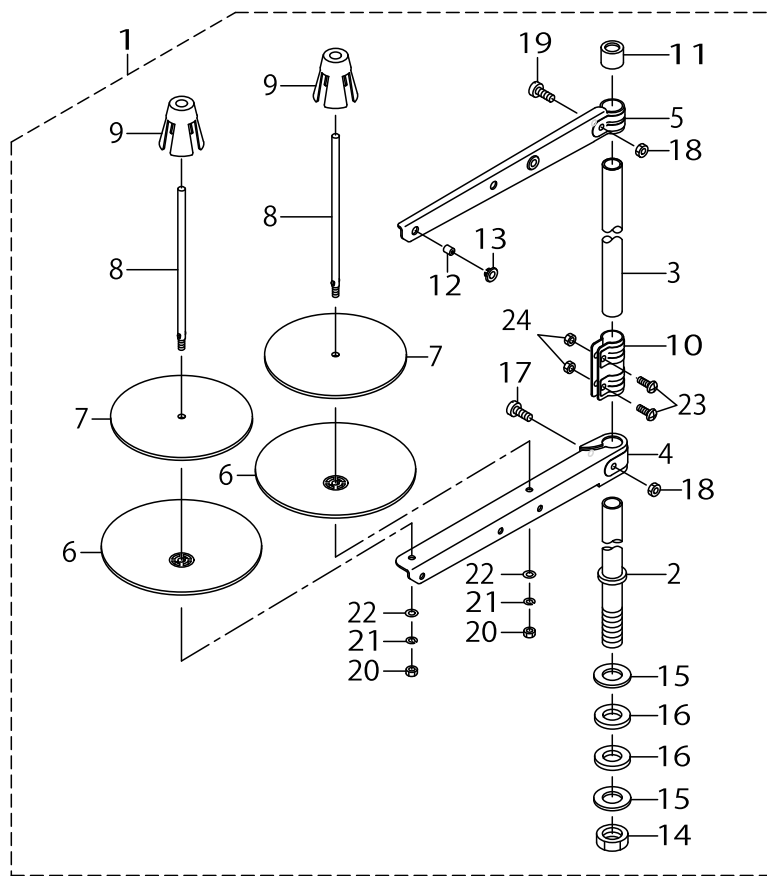
ACCESSORIE PART COMPONENTS (2)



ACCESSORIE PART COMPONENTS (2)

No.	Parts No.	Parts name	Remarks	Level	Cons	Qty
1	16292500	NOISE COVER B				1
2	CM600100201	WEEE INFORMATION SHEET				1
3	22933006	SCREW DRIVER LARGE				1
4	22933105	SCREW DRIVER MIDDLE				1
5	22933204	SCREW DRIVER SMALL				1
6	B9101490000	DRIVER				1
7	G5102151000	DOUBLE-ENDED WRENCH 5X6				1
8	B9143372000	WRENCH (7.1 X 8.1)				1
9	B9113012000	WRENCH (9X10)				1
10	J1043000A0A	WRENCH 10X13				1
11	26034702	WRENCH 14X11				1
12	G91011160A0	L-SHAPED WRENCH ASM.				1
13	12288403	TWEEZERS				1
14	SM9087523SE	HEAXGON BOLT				1
15	NM6080001SE	NUT M8				1
16	17008004	WASHER				2
17	PB000010000	HOSE BAND				1
18	40019187	FILTER REGULATOR				1
19	40021013	GUAGE				1
20	MAL01129000	MAGNET				1
21	SK3452001SE	WOOD SCREW D=4.5 L=20				2
22	11851102	SCREW WRENCH				1
23	PX950001000	PLUG				1
24	PJ304085201	ELBOW UNION 8XPT1/4				1
25	PJ305080001	PIPE TEE				1
26	BT0800501EB	VINYL TUBE				0.5
27	PX950001000	PLUG				1
28	PJ309520001	SOCKET				1
29	29180403	EC PRODUCTION DECLARATION				1

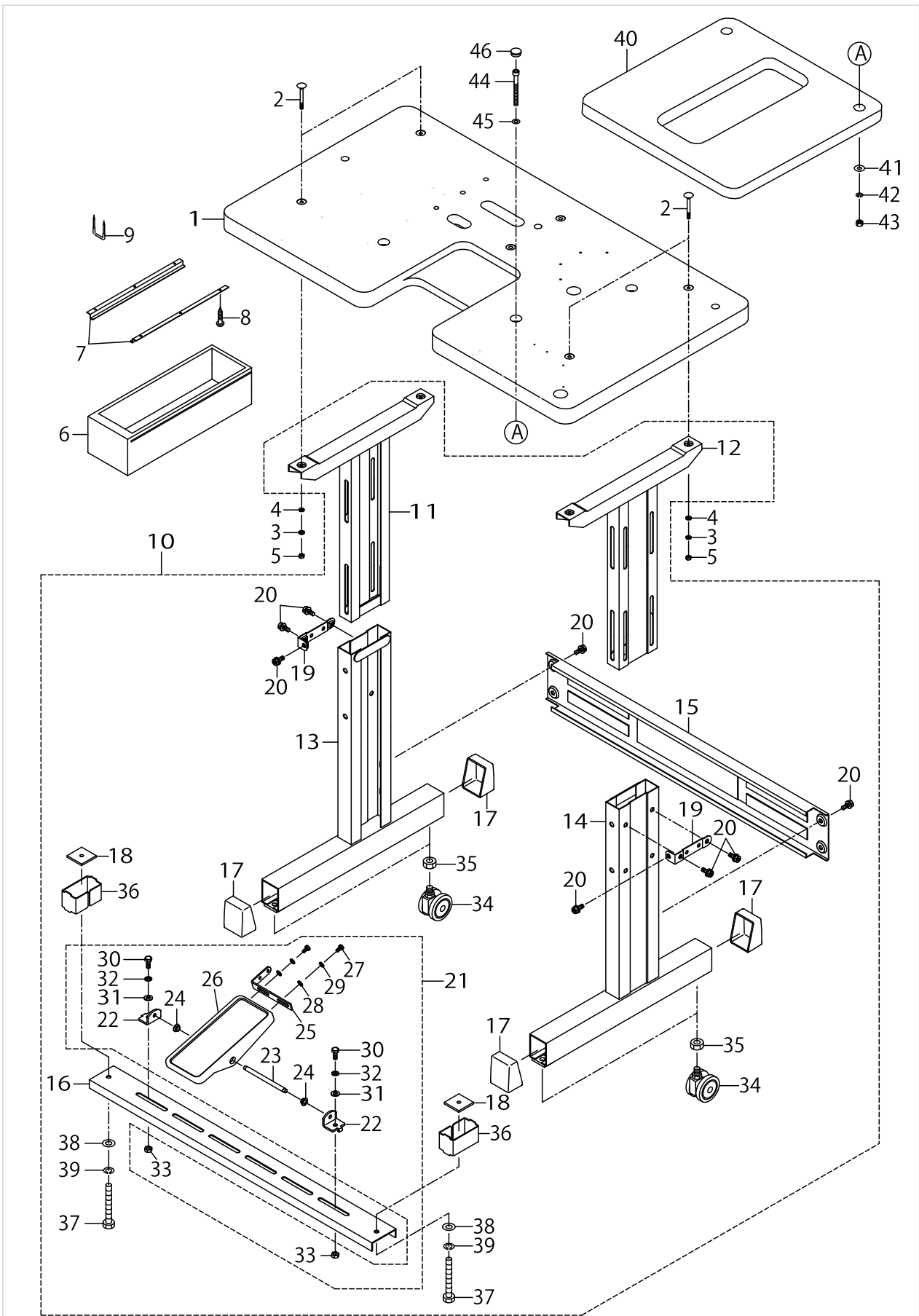
THREAD STAND COMPONENTS



THREAD STAND COMPONENTS

No.	Parts No.	Parts name	Remarks	Level	Cons	Qty
1	40096354	THREAD STAND ASM.				1
2	40085784	SPOOL REST ROD LOWER		*		1
3	40085785	SPOOL REST ROD UPPER		*		1
4	40085786	SPOOL REST ARM LOWER		*		1
5	40085787	SPOOL REST ARM UPPER		*		1
6	40085788	SPOOL REST		*		2
7	40085789	SPOOL REST CUSHION		*		2
8	40085790	SPOOL PIN		*		2
9	40085791	SPOOL RETAINER		*		2
10	40085792	SPOOL REST ROD JOINT		*		1
11	40085793	SPOOL REST ROD RUBBER CAP		*		1
12	40085794	THREAD GUIDE		*		2
13	40085795	THREAD GUIDE BUSHING		*		2
14	40096325	SPOOL REST ROD NUT		*		1
15	WP1612616SE	WASHER 16X30X2.6		*		2
16	40085796	SPOOL REST ROD RUBBER CUSHION		*		2
17	40096326	SPOOL REST ARM LOWER SCREW		*		1
18	NM6050001SE	NUT M5		*		2
19	40096327	SPOOL REST ARM UPPER SCREW		*		1
20	NM6050001SE	NUT M5		*		2
21	WS0510002KN	SPRING WASHER M5		*		2
22	WP0531001SC	WASHER M5		*		2
23	SM4051405SE	SCREW M5 L=14		*		2
24	NM6050001SE	NUT M5		*		2

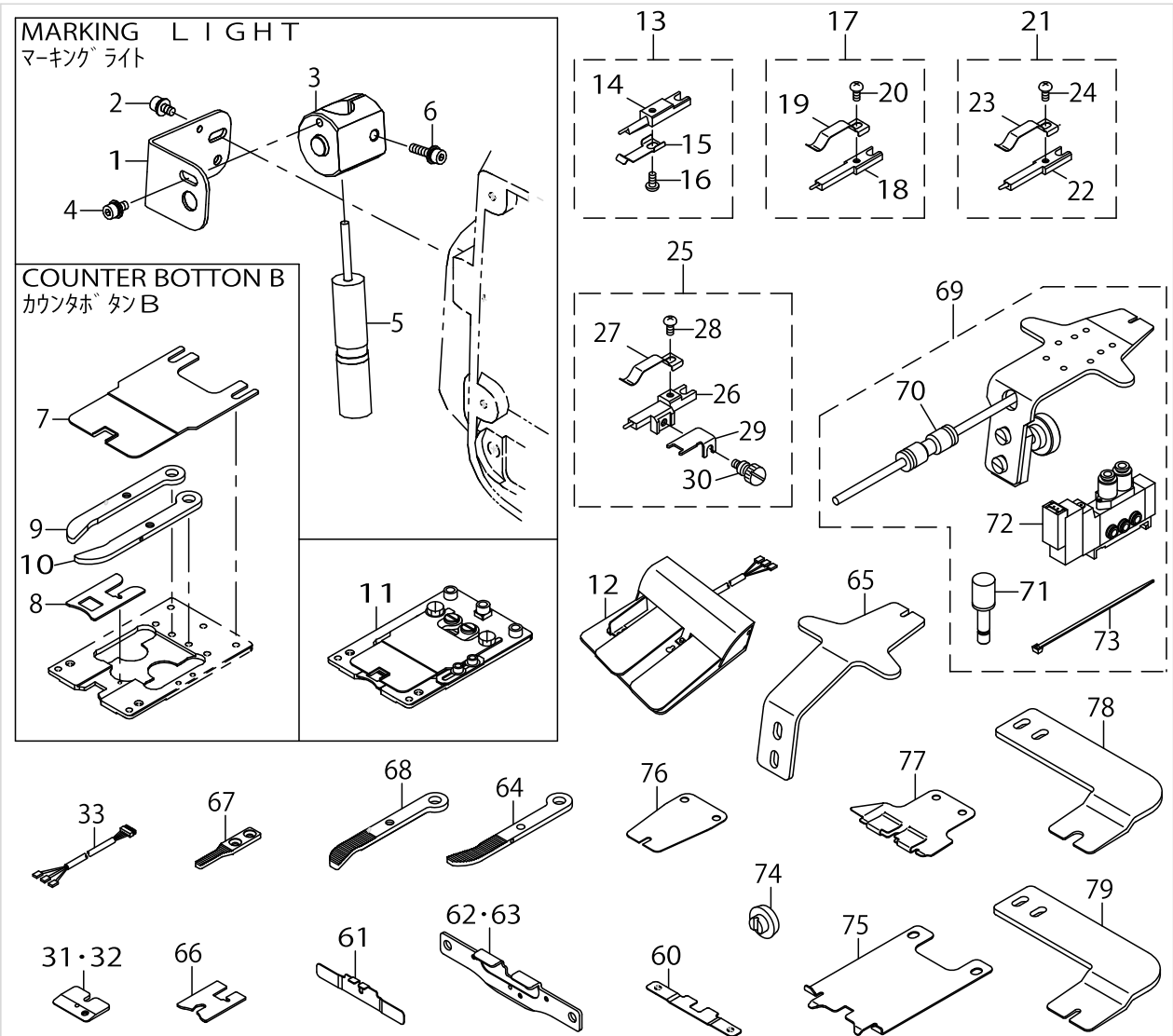
OPTION COMPONENTS (1) (TABLE)



OPTION COMPONENTS (1) (TABLE)

No.	Parts No.	Parts name	Remarks	Level	Cons	Qty
1	40020990	TABLE				1
2	MAO11108N00	PEDAL SWITCH FRAME BOLT				4
3	WP0641601SC	WASHER				4
4	WS0610002KN	SPRING WASHER 6.1X12.2X1.5				4
5	NM6060001SC	NUT M6				4
6	11155108	DRAWER				1
7	11155207	DRAWER SUPPORT				2
8	SK3311600SC	WOOD SCREW D=3.1 L=16				6
9	D8204555D00	DRAWER STOPPER				1
10	14191951	T-STAND COMPL.				1
11	B8101210AAB	UPPER STAND ASM.		*		1
12	14118152	UPPER STAND ASM. RIGHT		*		1
13	B8105210AAA	STAND ASM.		*		1
14	14118251	STAND ASM. RIGHT		*		1
15	11158300	STAND SIDE SUPPORT		*		1
16	11158409	STAND SIDE SUPPORT		*		1
17	11158607	RUBBER CAP		*		4
18	17007402	NUT		*		2
19	11158516	UPPER STAND PLATE		*		2
20	SL9082091SE	WASHER HEXAGONAL BOLT		*		10
21	13817754	Z-STAND PEDAL ASM.		*		1
22	11159001	PEDAL SHAFT BRACKET		*		2
23	B8153771000	PEDAL CONNECTING ROD		*		1
24	D8113555B00	PEDAL BUSHING		*		2
25	GPF06080000	PEDAL ADJUSTING PLATE		*		1
26	GPF060600A0	PEDAL ASM.		*		1
27	SM9061203SE	SCREW M6 L=12		*		2
28	WP0671016SE	WASHER 6.7X13X1		*		2
29	WS0621210KR	SPRING WASHER 6.2X11.4X1.2		*		2
30	SM9082023SE	SCREW M8 L=20		*		2
31	WP0871602SE	WASHER 8.7X18X1.6		*		4
32	WS0861410KR	SPRING WASHER 8.6X15X1.4		*		2
33	NM6080721SE	NUT M8		*		2
34	B8150210000	CASTER		*		4
35	NM6120003SE	NUT M12		*		4
36	11159506	STRUT AUXILIARY PLATE		*		2
37	SM9086523SE	HEXAGONAL BOLT		*		2
38	WP0871602SE	WASHER 8.7X18X1.6		*		2
39	WS0861410KR	SPRING WASHER 8.6X15X1.4		*		2
40	17971805	AUXILIARY TABLE				1
41	WP0851846SC	WASHER 8.5X22.0X1.8				2
42	WS0820002KN	SPRING WASHER M8				2
43	NM6080002SC	NUT M8				2
44	SM6088002TN	SCREW				2
45	WP0841601SC	WASHER 8.4X17.4X1.6				2
46	HX00326000K	DOME PLUG				2

OPTION COMPONENTS (2)

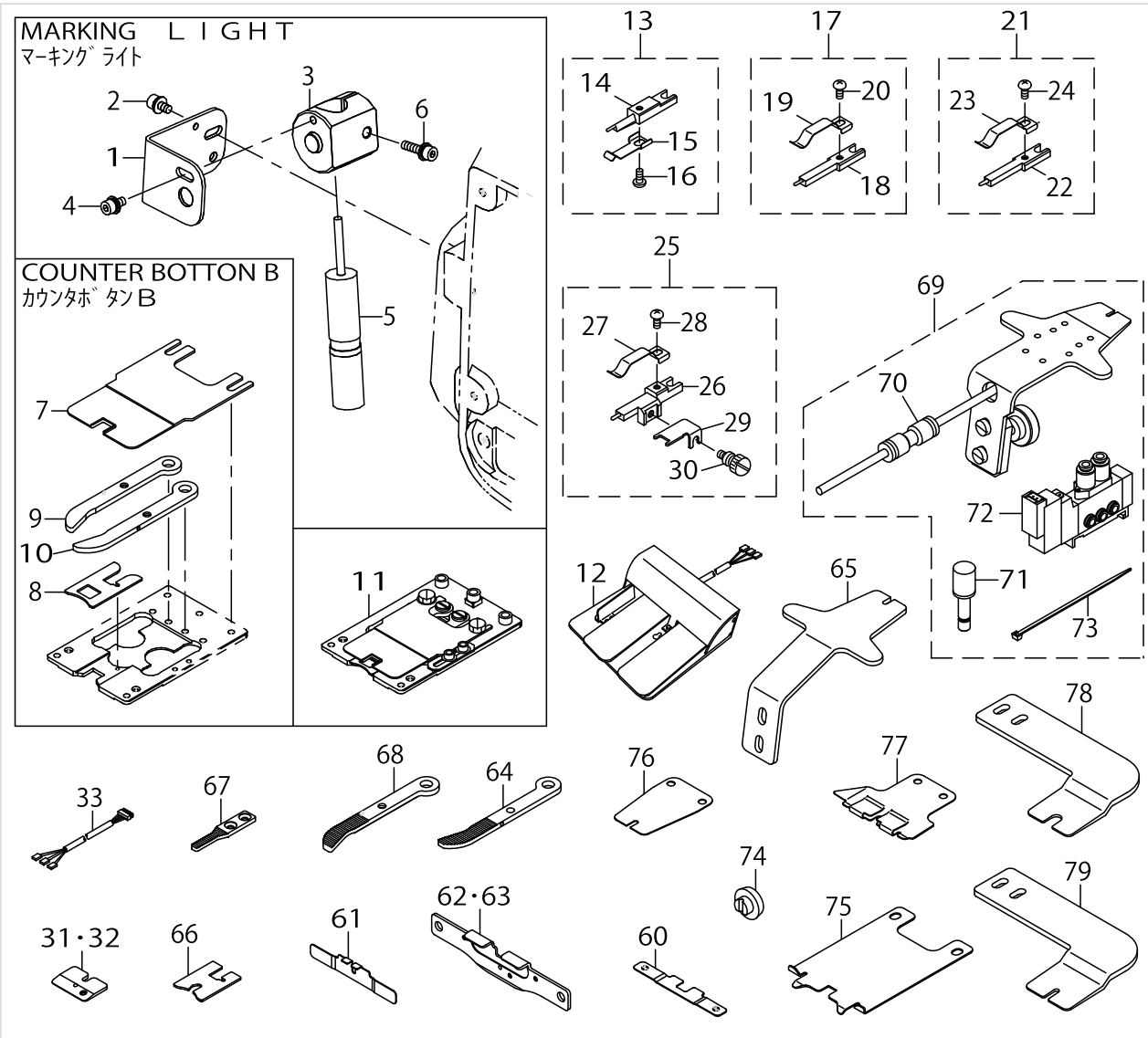


Button carrier (for 4-holed) ボタンキャリア (4つ穴用)						Button carrier (for 2-holed) ボタンキャリア (2つ穴用)								
Mark 刻印	Ref. No.	Size 寸法	Mark 刻印	Ref. No.	Size 寸法	Mark 刻印	Ref. No.	Size 寸法	Mark 刻印	Ref. No.	Size 寸法	Mark 刻印	Ref. No.	Size 寸法
A	34	a 2.0 b 1.0	D	37	a 2.8 b 1.2	K	44	a 4.0 b 1.4	M	47	a 2.0 b 1.0	U	54	a 4.0 b 1.4
B	35	a 2.4 b 1.2	E	38	a 2.8 b 1.4	K1	45	a 4.0 b 1.8	N	48	a 2.4 b 1.2	V	55	a 4.2 b 1.4
C	36	a 2.6 b 1.2	F	39	a 3.0 b 1.2	L	46	a 5.0 b 1.8	P	49	a 2.6 b 1.2	W	56	a 4.4 b 1.4
			F1	40	a 3.0 b 1.4				Q	50	a 2.8 b 1.2	X	57	a 4.6 b 1.4
			G	41	a 3.2 b 1.4				R	51	a 3.0 b 1.2	Y	58	a 4.8 b 1.4
			H	42	a 3.4 b 1.4				S	52	a 3.2 b 1.4	Z	59	a 5.0 b 1.4
			J	43	a 3.6 b 1.4				T	53	a 3.4 b 1.4			

OPTION COMPONENTS (2)

No.	Parts No.	Parts name	Remarks	Level	Cons	Qty
1	40021018	LIGHT_STAY_OPTION				1
2	SL6040892TN	BOLT				2
3	40020995	LIGHT_BUSH				1
4	SL6040892TN	BOLT				1
5	40019209	LIGHT MARKING PROJECTOR				1
6	SL6042092TN	SCREW M4 L=20				1
7	40020809	COUNTER_BUTTON_FEED_PLATE				1
8	40020815	COUNTER_BUTTON_PLATE_B				1
9	40020816	COUNTER_BUTTON_CLAMP_L				1
10	40020817	COUNTER_BUTTON_CLAMP_R				1
11	40020807	ASSY_COUNTER_BUTTON_PLATE				1
12	GPK470010AB	3-PEDAL ASM.				1
13	17974056	BUTTON SET PIN A ASM.				1
14	17974007	BUTTON SET PIN A		*		1
15	17974106	SET SPRING A		*		1
16	SM4030401SC	SCREW M3X0.5 L=4		*		1
17	17974254	BUTTON SET PIN B ASM.				1
18	17974205	BUTTON SET PIN B		*		1
19	17974304	SET SPRING B		*		1
20	SM4030401SC	SCREW M3X0.5 L=4		*		1
21	17974452	BUTTON SET PIN C ASM.				1
22	17974403	BUTTON SET PIN C		*		1
23	17974304	SET SPRING B		*		1
24	SM4030401SC	SCREW M3X0.5 L=4		*		1
25	40023428	ASSY_BUTTON_SET_PIN_D				1
26	17974502	BUTTON SET PIN D		*		1
27	17974304	SET SPRING B		*		1
28	SM4030401SC	SCREW M3X0.5 L=4		*		1
29	40021020	BUTTON_RECEIVER		*		1
30	B3106019000	SCREW		*		1
31	40024296	ASSY_UNDER_PLATE_SPACER_B				1
32	40024298	ASSY_UNDER_PLATE_SPACER_C				1
33	40029422	PEDAL_RELAY_CORD_ASSY				1
34	17856600	BUTTON_CARRIER_A				1
35	17856709	BUTTON_CARRIER_B				1
36	17856808	BUTTON_CARRIER_C				1
37	17856907	BUTTON_CARRIER_D				1
38	17857004	BUTTON_CARRIER_E				1
39	17857103	BUTTON_CARRIER_F				1
40	17857202	BUTTON_CARRIER_F1				1
41	17857301	BUTTON_CARRIER_G				1
42	17857400	BUTTON_CARRIER_H	STANDARD TYPE			1
43	17857509	BUTTON_CARRIER_J				1
44	17857608	BUTTON_CARRIER_K				1
45	17857707	BUTTON_CARRIER_K1				1
46	17857806	BUTTON_CARRIER_L				1
47	17858002	BUTTON_CARRIER_M				1

OPTION COMPONENTS (2)



Button carrier (for 4-holed) ボタンキャリア (4つ穴用)						Button carrier (for 2-holed) ボタンキャリア (2つ穴用)								
Mark 刻印	Ref. No.	Size 寸法	Mark 刻印	Ref. No.	Size 寸法	Mark 刻印	Ref. No.	Size 寸法	Mark 刻印	Ref. No.	Size 寸法	Mark 刻印	Ref. No.	Size 寸法
A	34	a 2.0 b 1.0	D	37	a 2.8 b 1.2	K	44	a 4.0 b 1.4	M	47	a 2.0 b 1.0	U	54	a 4.0 b 1.4
B	35	a 2.4 b 1.2	E	38	a 2.8 b 1.4	K1	45	a 4.0 b 1.8	N	48	a 2.4 b 1.2	V	55	a 4.2 b 1.4
C	36	a 2.6 b 1.2	F	39	a 3.0 b 1.2	L	46	a 5.0 b 1.8	P	49	a 2.6 b 1.2	W	56	a 4.4 b 1.4
			F1	40	a 3.0 b 1.4				Q	50	a 2.8 b 1.2	X	57	a 4.6 b 1.4
			G	41	a 3.2 b 1.4				R	51	a 3.0 b 1.2	Y	58	a 4.8 b 1.4
			H	42	a 3.4 b 1.4				S	52	a 3.2 b 1.4	Z	59	a 5.0 b 1.4
			J	43	a 3.6 b 1.4				T	53	a 3.4 b 1.4			

OPTION COMPONENTS (2)

No.	Parts No.	Parts name	Remarks	Level	Cons	Qty
48	17858101	BOTTON CARRIER N				1
49	17858200	BOTTON CARRIER P				1
50	17858309	BOTTON CARRIER Q				1
51	17858408	BOTTON CARRIER R				1
52	17858507	BUTTON CARRIER S				1
53	17858606	BUTTON CARRIER T	STANDARD TYPE			1
54	17858705	BOTTON CARRIER U				1
55	17858804	BUTTON CARRIER V				1
56	17858903	BOTTON CARRIER W				1
57	17859000	BOTTON CARRIER X				1
58	17859109	BOTTON CARRIER Y				1
59	17859208	BOTTON CARRIER Z				1
60	40020763	UNDER_PLATE_GUIDE				1
61	40020774	UNDER_PLATE_GUIDE_D				1
62	40020771	UNDER_PLATE_T				1
63	40020766	UNDER_PLATE_SS				1
64	40020822	STAY_BUTTON_CLAMP_R				1
65	40021019	TANG_D				1
66	40020818	COUNTER_BUTTON_PLATE_C				1
67	40020813	COUNTER_BUTTON_SLIDE_B				1
68	40020821	STAY_BUTTON_CLAMP_L				1
69	40020779	KNIT_TANG_OPTION				1
70	40020778	KNIT_TANG_ASSY		*		1
71	PX500014000	PLUG		*		2
72	PV150209000	5 PORT SOLENOID VALVE		*		1
73	EA9500B0100	CABLE BAND		*		3
74	17974700	SET PIN GAUGE				1
75	40021014	PICK_SEWING_ATC_B				1
76	40021016	TANG_SPACER				1
77	40021017	PICK_SEWING_ATC_A				1
78	40020832	CLAMP_A				1
79	40020833	CLAMP_B				1

LIST FOR INFORMATION OF CHANGE

As to the place changed, refer to the corresponding Rev.No.
 When previous parts (Obsolated part) and new parts (Added parts) are
 not interchangeable with each other:
 In this case, even obsolated parts (D.) can be ordered with the
 obsolated part number, so select the parts with changed dates and
 place your orders.

変更箇所は、該当Rev.No.版をご参照ください。
 部品の互換性がない変更の場合は、削除された品番でも、ご注文できます。

40020577
 No.1392-10 · · Rev.No.

*A: Added parts 追加部品 / D: Obsolated parts 削除部品 / E: Erratum 訂正

* Rev. No.	Page 頁	Ref. No.	Parts No. 品 番	* Rev. No.	Page 頁	Ref. No.	Parts No. 品 番	
D	09	8	47				SM-1040601-SC	
				A	10	8	47	SM-1040800-SP
D	09	8	75	A	10	8	75	SS-4110615-SP
				A	10	8	76	WP-0450846-SP
D	09	18	63	A	10	18	63	226-14507
				A	10	18	64	226-14101
				A	10	18	65	226-14200
				A	10	18	66	226-14309
				A	10	18	67	226-14408
				A	10	18	68	226-14507

HOW TO MAKE USE OF THIS PARTS LIST

1.Explanation of codes

1)"*"mark.....means this part is changed from the previous parts book.

As to the details of the change, refer to the "List for information of change".

2)"#01".....refer to "Note" explanation at bottom of page.

2.Codes on the "Qty" column

- Each numeral indicates the number of parts required.
- "0.1" and "2.5" indicate the length (in meters) of the respective parts.

3.Parentheses mean that the corresponding part is a subpart that constructs an assembly part.

4.Dotted lines on the Figures indicate assembly parts.

5.As to the parts with marks of "☆"(consumable parts) and "◎"(optional parts)on the respective parts, it is recommended to prepare spares.

1 ."注記"欄の記号説明

1) "*"印.....前回のパーツブックに比較して今回変更された部品を意味します。

変更内容は、"変更情報リスト"を参照してください。

2) "#01".....ページ下の"注記"の説明を参照してください。

2.数量欄の数字は、個数を表し、0.1、2.5等の数値は、長さ（単位メートル）を表します。

3.数量欄の（ ）は、組部品を構成している子部品であることを意味します。

4.イラストページの-----枠は、組構成であることを意味します。

5.リストページの"☆"（消耗部品）、"◎"（オプション部品）の印がついた部品は、予備を準備しておくことをお奨めします。

NUMERICAL INDEX OF PARTS

PART NO	PAGE	REF NO.	PART NO	PAGE	REF NO.	PART NO	PAGE	REF NO.
10109700	12	33	17856808	72	36	18035808	8	44
10129104	22	26	17856907	72	37	18035907	8	45
10308401	12	34	17857004	72	38	18036004	8	46
10523504	32	44	17857103	72	39	18036103	8	47
10523504	36	23	17857202	72	40	18036202	10	48
10523504	44	7	17857301	72	41	18036301	10	49
11072204	2	24	17857400	48	33	18036400	10	50
11155108	70	6	17857400	72	42	18036509	10	51
11155207	70	7	17857509	72	43	18036608	10	52
11158300	70	15	17857608	72	44	18036707	10	53
11158409	70	16	17857707	72	45	18036806	10	54
11158516	70	19	17857806	72	46	18036905	10	55
11158607	70	17	17858002	72	47	18037002	10	56
11159001	70	22	17858101	74	48	18037101	10	57
11159506	70	36	17858200	74	49	18037200	10	58
11272408	48	16	17858309	74	50	18037309	10	59
11851102	66	22	17858408	74	51	18037408	10	60
12288403	66	13	17858507	74	52	18037507	10	61
13110606	32	33	17858606	48	38	18037606	10	62
13138201	22	8	17858606	74	53	18037705	10	63
13301700	24	86	17858705	74	54	18037804	10	64
13525506	4	91~93	17858804	74	55	18037903	24	88
13715701	12	36	17858903	74	56	18038000	10	66
13715701	16	34	17859000	74	57	18038109	24	89
13817754	70	21	17859109	74	58	18038208	10	68
14101208	62	8	17859208	74	59	18038307	10	69
14104301	36	1	17971805	70	40	18038406	10	70
14118152	70	12	17974007	72	14	18038505	10	71
14118251	70	14	17974056	72	13	18038604	8	25
14191951	70	10	17974106	72	15	18038703	10	65
14506109	26	18	17974205	72	18	18038802	10	67
14506109	32	22	17974254	72	17	18038901	24	91
16138109	32	18	17974304	72	27	18039008	24	92
16292500	66	1	17974403	72	22	22614002	34	63~68
16573909	32	45	17974452	72	21	22614101	34	63~68
16992604	48	17	17974502	72	26	22614200	34	63~68
17007402	62	5	17974700	74	74	22614309	34	63~68
17007402	70	18	18035006	8	36	22614408	34	63~68
17008004	66	16	18035105	8	37	22614507	34	63~68
17823550	42	1	18035204	8	38	22932800	4	89
17823709	42	16	18035303	8	39	22933006	66	3
17845009	50	29	18035402	8	40	22933105	66	4
17848458	62	23	18035501	8	41	22933204	66	5
17856600	72	34	18035600	8	42	22958458	52	77
17856709	72	35	18035709	8	43	23544109	14	78~81

NUMERICAL INDEX OF PARTS

PART NO	PAGE	REF NO.	PART NO	PAGE	REF NO.	PART NO	PAGE	REF NO.
23544208	14	78~81	40000139	56	13	40005391	60	54~56
23544307	14	78~81	40000140	56	14	40005392	50	32
23544802	14	78~81	40000141	56	16	40005392	60	54~56
23604200	12	39	40000142	56	17	40005393	50	35
25002809	22	27	40000143	56	18	40005393	60	49
25002908	22	28	40000144	56	19	40005394	50	36
26003103	16	37	40000146	56	21	40005394	60	51
26003756	16	36	40000148	56	22	40005395	50	37
26021402	2	32	40001985	30	1	40005395	58	43
26024604	16	40	40001986	42	15	40005396	50	38
26034702	66	7~11	40001987	12	5	40005396	58	44
29180403	66	29	40001988	12	7	40005401	50	21
32002354	2	46	40001989	16	2	40005401	58	41
32002354	58	19	40001990	12	25	40005404	50	26
32007205	30	30	40001991	14	83	40005980	50	39
32007205	34	59	40001992	30	5	40005980	60	46
32007403	32	41	40001993	16	3	40005981	50	40
32007403	36	33	40001994	42	5	40005982	50	41
32009805	36	22	40001995	16	4	40006323	4	91~93
32046708	32	34	40001996	48	1	40006515	12	43
40000012	50	12	40001997	36	32	40006516	12	44
40000012	58	42	40001998	36	3	40009375	24	61
40000029	50	14	40002001	20	11	40009941	56	1
40000046	50	16·17	40002002	16	5	40009941	58	29·69
40000046	60	53	40002003	16	6~8	40012038	52	70
40000056	50	16·17	40002006	12	9	40012038	60	50
40000056	60	52	40002007	18	72	40012197	2	44
40000079	10	77	40002010	32	3	40012197	58	24
40000079	58	25	40003451	50	1	40012832	58	38~40
40000080	10	78	40003452	50	2	40012833	58	38~40
40000080	58	26	40003453	50	3	40012834	58	38~40
40000082	10	79	40003458	52	67	40012836	10	72
40000082	58	27	40003470	60	62	40012836	58	23
40000084	10	80	40004216	12	2	40013640	4	91~93
40000084	58	28	40004217	12	1	40013870	52	63·64
40000085	60	47	40004218	12	40	40015603	52	63·64
40000085	62	45	40004299	46	51	40018377	2	1
40000131	56	2	40004378	12	41	40018377	58	11
40000132	56	3	40004380	12	42	40019187	8	1
40000133	56	4	40005385	52	72	40019187	60	64
40000134	56	6	40005388	50	33	40019187	66	18
40000135	56	7	40005388	60	54~56	40019188	12	10
40000136	56	8	40005390	52	87	40019188	58	12
40000137	56	9	40005390	60	57~60	40019189	34	53
40000138	56	10	40005391	50	31	40019189	58	13

NUMERICAL INDEX OF PARTS

PART NO	PAGE	REF NO.	PART NO	PAGE	REF NO.	PART NO	PAGE	REF NO.
40019190	30	7	40019209	72	5	40020649	12	22
40019190	58	14	40019210	10	73	40020650	12	23
40019191	38	49	40019210	60	66	40020651	12	24
40019191	58	15	40019236	10	74	40020653	12	8
40019192	36	5	40019236	60	65	40020654	12	26
40019192	58	16	40020584	4	90	40020655	12	27
40019193	22	21	40020596	12	12	40020656	12	6
40019193	58	17	40020597	12	13	40020659	12	28
40019194	48	9	40020598	12	14	40020661	12	29
40019194	58	18	40020599	12	15	40020662	12	32
40019195	8	2	40020600	16	9	40020663	12	30
40019195	46	60	40020604	12	16	40020664	12	31
40019195	58	30	40020605	16	10	40020665	14	75
40019196	8	3	40020606	16	11	40020670	20	3
40019196	46	61	40020607	16	12	40020672	20	14
40019196	58	31	40020608	16	13	40020675	20	2
40019197	8	4	40020609	16	14	40020676	20	13
40019197	32	11	40020610	12	17	40020677	20	21
40019197	58	32	40020611	16	32	40020678	20	12
40019198	8	5	40020612	12	18	40020680	20	8
40019198	32	12	40020613	12	19	40020681	20	22
40019198	58	33	40020614	16	35	40020682	20	24~26
40019199	8	6	40020616	16	15	40020683	20	24~26
40019199	42	4	40020617	16	16	40020684	20	24~26
40019199	58	34	40020620	16	17	40020685	20	6
40019200	44	45	40020621	12	35	40020686	20	20
40019200	58	35	40020622	16	18	40020687	20	9
40019201	4	59	40020623	16	19	40020688	20	27
40019201	58	36	40020625	16	20	40020689	20	10
40019202	12	11	40020626	16	21	40020690	20	23
40019202	58	1	40020627	16	22	40020693	24	53
40019203	34	50	40020628	16	23	40020694	22	30
40019203	58	2	40020629	16	24	40020695	22	38
40019204	30	11	40020630	16	25	40020696	22	24
40019204	58	3	40020631	16	26	40020699	24	60
40019205	36	46	40020633	16	28	40020700	22	9
40019205	58	4	40020634	16	29	40020700	58	8
40019206	36	7	40020638	16	33	40020701	22	45
40019206	58	5	40020639	16	30	40020702	24	50
40019207	22	20	40020640	16	31	40020703	24	52
40019207	58	6	40020641	16	6~8	40020705	24	56
40019208	48	4	40020642	16	6~8	40020706	24	64
40019208	58	7	40020644	12	38	40020707	24	65
40019209	2	9	40020645	12	20	40020708	24	67
40019209	58	10	40020647	12	21	40020709	24	71

NUMERICAL INDEX OF PARTS

PART NO	PAGE	REF NO.	PART NO	PAGE	REF NO.	PART NO	PAGE	REF NO.
40020710	22	35	40020794	34	62	40020881	62	37
40020711	22	32	40020795	32	1	40020882	62	33
40020730	22	7	40020796	32	37	40020883	36	10
40020733	22	16	40020807	72	11	40020884	36	13
40020734	22	4	40020808	26	17	40020885	36	15
40020735	22	23	40020809	72	7	40020886	36	17
40020736	22	5	40020810	28	50	40020887	36	19
40020738	22	17	40020811	26	42	40020888	36	21
40020740	22	6	40020812	28	56	40020889	36	24
40020741	22	1	40020813	74	67	40020890	4	61
40020744	22	18	40020814	28	54	40020890	36	26
40020746	40	8	40020815	72	8	40020891	36	28
40020747	40	11	40020816	72	9	40020900	36	35
40020748	40	13	40020817	72	10	40020901	36	39
40020749	40	2	40020818	74	66	40020902	36	40
40020750	40	5	40020821	74	68	40020903	36	42
40020751	40	18	40020822	74	64	40020904	36	44
40020761	42	2	40020823	26	15	40020905	38	50
40020762	42	19	40020826	28	57	40020911	44	12
40020763	74	60	40020828	26	4	40020912	44	19
40020765	42	18	40020829	26	2	40020913	44	15
40020766	74	62-63	40020830	26	11	40020914	44	23
40020767	42	20	40020830	42	6	40020915	44	28
40020768	42	14	40020831	26	5	40020916	44	26
40020771	74	62-63	40020832	74	78	40020917	44	33
40020773	62	40	40020833	74	79	40020918	44	34
40020774	74	61	40020834	26	44	40020919	44	39
40020778	74	70	40020835	26	47	40020920	44	41
40020779	74	69	40020842	26	34	40020921	44	31
40020780	30	14	40020843	26	33	40020922	46	72
40020780	32	47	40020844	26	29	40020923	46	73
40020781	32	46	40020846	26	24	40020924	44	36
40020782	32	31	40020847	26	37	40020925	44	43
40020783	30	9	40020848	26	39	40020926	44	47
40020783	34	55	40020865	30	17	40020927	44	1
40020784	34	57	40020866	30	19	40020928	46	50
40020785	26	6	40020868	30	21	40020929	44	2
40020785	32	24	40020869	30	22	40020930	62	42
40020786	32	7	40020872	30	24	40020931	44	24
40020787	32	25	40020875	30	26	40020932	62	41
40020789	32	27	40020876	30	28	40020933	44	30
40020791	32	21	40020877	62	31	40020934	46	63
40020792	32	5	40020878	62	34	40020935	46	78
40020793	32	16	40020879	62	32	40020936	46	76
40020794	30	3	40020880	62	36	40020937	46	53

NUMERICAL INDEX OF PARTS

PART NO	PAGE	REF NO.	PART NO	PAGE	REF NO.	PART NO	PAGE	REF NO.
40020938	44	8	40021015	62	28	40085787	68	5
40020939	46	55	40021016	74	76	40085788	68	6
40020943	46	57	40021017	74	77	40085789	68	7
40020945	44	9	40021018	72	1	40085790	68	8
40020946	46	81	40021019	74	65	40085791	68	9
40020947	46	82	40021020	72	29	40085792	68	10
40020948	46	83	40021021	24	77	40085793	68	11
40020949	46	84	40021022	24	85	40085794	68	12
40020958	48	6	40021023	24	84	40085795	68	13
40020959	48	14	40021048	52	57	40085796	68	16
40020963	48	28	40021048	58	45	40096325	68	14
40020966	48	18	40021152	10	81	40096326	68	17
40020970	48	23	40021152	58	20	40096327	68	19
40020973	48	21	40021153	10	82	40096354	68	1
40020974	48	29	40021153	58	22	40107892	4	71
40020975	48	19	40021154	10	83	40116677	6	96
40020976	48	11	40021154	58	21	40131921	32	40
40020977	48	32	40021176	62	10	40131924	32	42
40020978	48	20	40021177	60	63	40131925	32	39
40020979	48	34	40021177	62	9	A1230500000A	12	45
40020980	48	40	40021445	44	14	A3906010000	56	5
40020988	4	50	40021830	40	21	A39500100A0	56	11
40020990	70	1	40021831	22	37	B1135850000	22	29
40020993	2	3	40021900	22	40	B1144210000	14	73
40020994	2	5	40022474	24	72	B1212210D00	12	46
40020995	2	7	40022474	58	37	B1239372000	16	38
40020995	72	3	40022475	10	84	B1414232000	12	47~49
40020996	2	11	40022475	60	67	B141423200A	14	47~49
40020997	2	15	40023271	60	48	B141423200B	14	47~49
40020998	2	17	40023428	72	25	B144418000B	26	23
40020999	2	35	40024087	24	74	B1513210000	28	52
40021000	2	38	40024295	62	43	B1623180000	12	37
40021001	2	41	40024296	72	31·32	B1632180000	26	9
40021002	4	51	40024298	72	31·32	B1632180000	42	7
40021002	8	7	40028015	18	73	B1632180000	46	69
40021003	4	53	40029422	60	68	B1906581000	26	7
40021004	4	55	40029422	72	33	B2052781000	44	10
40021005	4	48	40033635	62	25	B24063730A0	20	15
40021006	62	27	40035024	56	23	B2561372000	26	19
40021008	62	6	40048664	64	48	B3035280000	26	40
40021009	62	1	40059301	60	29·69	B3106019000	72	30
40021011	62	47	40069006	18	74	B3120125000	2	25
40021012	62	39	40085784	68	2	B3121352000	2	28
40021013	66	19	40085785	68	3	B3126012000	2	26
40021014	74	75	40085786	68	4	B3132552000	2	27

NUMERICAL INDEX OF PARTS

PART NO	PAGE	REF NO.	PART NO	PAGE	REF NO.	PART NO	PAGE	REF NO.
B8101210AAB	70	11	EA9500B0100	48	36	M2010110000	52	48
B8105210AAA	70	13	EA9500B0100	50	43	M300451100A	52	73
B8150210000	70	34	EA9500B0100	62	20	M3801476000	50	6
B8153771000	70	23	EA9500B0100	74	73	M4001461000	52	44
B8171223C00	62	21	EA9500B0200	4	58·80~ 82·94	M4002461000	52	45
B9101490000	66	6	EA9500B0200	48	41	M4004461000	52	46
B9113012000	66	7~11	G2301309000	2	22	M4005461000	52	47
B9143372000	66	7~11	G23013090A0	2	21	M4006461000	50	42
BME01100000	54	92·93	G23013090A0	8	11	M4007351000	52	49
BME03200000	54	92·93	G2302309000	2	23	M4008351000A	52	50
BT0180101EB	8	8	G5102151000	66	7~11	M4009351000A	52	56
BT0180101EB	46	66	G6014880000	26	26	M4011351000	52	55
BT0400251EB	8	9	G6014880000	42	17	M4012351000	52	51
BT0400251EB	24	87	G6014880000	44	4	M4206461000	50	11
BT0800501EB	8	10	G91011160A0	66	12	M90175800A0	52	86
BT0800501EB	66	26	GAF01007000	14	74	M90175800A0	60	57~60
CM200100001	52	66	GAK01003B00	4	65	M90195800A0	10	75
CM300100003	54	97	GAK33032000	32	15	M90245800A0	52	88
CM300100401	54	94	GBR01521000	44	6	M90245800A0	60	57~60
CM300200001	24	69	GEB03626000	44	21	M90345800A0	54	90
CM300200001	48	39	GPF060600A0	70	26	M90345800A0	60	61
CM300400601	54	95·96	GPF06080000	70	25	M90355800A0	54	89
CM300400701	54	95·96	GPK470010AB	72	12	M90355800A0	60	57~60
CM301300001	4	67	GSK01008000	24	59	MA011532000	52	78
CM600100101	4	88	HA004250000	54	91	MAL01129000	66	20
CM600100201	66	2	HF00130315S	52	74~76	MAO11108N00	70	2
CS0400671TP	44	37	HF0013050P0	52	74~76	MAO11532000	62	19
CS0791016SH	16	41	HF003000200	52	74~76	MAT80114T00	28	59
CS0800971TP	18	70	HM000480010	50	22	MAT80230T00	62	11
CS0800971TP	32	29	HN002460000	52	68	MAT80231T00	62	12
CS0800971TP	48	24	HX00150000A	4	79	MAT80232T00	62	13
CS1201171TP	32	35	HX00150000D	4	64	MAV04611000	2	14
D3067180S00	46	91	HX00150000F	4	87	MSM3AAN1400	12	3
D5124206K0K	2	95	HX00150000K	4	74	MSM3AAN1400	62	46
D5124206K0K	6	95	HX00188000D	52	59	MTSHJ100003	52	80
D8113555B00	70	24	HX002920000	4	58·80~ 82·94	NM3040520SC	50	24
D8204555D00	70	9	HX003140000	4	72·78	NM6030001SC	46	86
E2076721000	62	29	HX00314000A	4	72·78	NM6030001SC	62	35
E3018721000	46	85	HX00326000K	70	46	NM6040001SD	24	68
E3080855000	4	84	HX003390000	50	19	NM6040001SD	44	11
E9567319000	4	66	HX004070000	50	28	NM6040002SN	22	2
E9567319000	52	65	HX00410000A	50	34	NM6040003SC	24	57
E9607603000	52	62	HX005110000	52	61	NM6040003SC	40	10
EA9500B0100	4	58·80~ 82·94	J1043000A0A	66	7~11	NM6050001SE	68	24
						NM6050001SP	48	26

NUMERICAL INDEX OF PARTS

PART NO	PAGE	REF NO.	PART NO	PAGE	REF NO.	PART NO	PAGE	REF NO.
NM6050003SC	20	28	PJ046052503	22	49	SB110002600	12	4
NM6060001SC	4	69	PJ046052503	24	49	SB120000200	14	52
NM6060001SC	70	5	PJ210304010	8	24	SB120000900	14	53
NM6080001SC	50	10	PJ210304010	26	27	SB120000900	16	44
NM6080001SE	66	15	PJ301040502	8	33	SB120001100	16	45
NM6080002SC	52	85	PJ301040502	20	5	SB125000400	16	1
NM6080002SC	70	43	PJ301040502	32	10	SB408000100	16	27
NM6080721SE	70	33	PJ301040502	40	20	SB408000100	30	15
NM6120003SE	70	35	PJ303040005	8	26	SB408000100	32	48
NM6160511SE	2	31	PJ304020301	8	27	SB408000100	34	48
NM7040032SC	24	58	PJ304020301	46	70	SB408000100	36	36
NM7040032SC	40	9	PJ304040504	2	30	SB408000100	48	8
NS6110310SP	4	76	PJ304040504	8	28	SB706000600	44	3
PA0600504A0	2	29	PJ304040504	20	1	SD0400606TP	46	74
PA0600504A0	8	12	PJ304040504	24	82	SD0600207TP	20	19
PA0600504A0	22	43	PJ304040504	26	1	SD0600208TP	2	12
PA0801501A0	8	13	PJ304040504	40	19	SD0600208TP	46	87
PA0801501A0	46	59	PJ304040504	42	21	SD0600226TP	24	51
PA1002010A0	8	14	PJ304085101	8	29	SD0600226TP	26	49
PA1002010A0	26	25	PJ304085201	66	24	SD0600226TP	28	49
PA1002010A0	46	68	PJ305020001	8	30	SD0600286TP	26	48
PA1002011A0	8	15	PJ305020001	46	65	SD0600286TP	28	48
PA1002011A0	24	48	PJ305080001	8	31	SD0600326TP	22	19
PA1005002A0	24	83	PJ305080001	66	25	SD0600326TP	26	21
PA1007502A0	8	16	PJ305080003	10	86	SD0600326TP	44	35
PA1007502A0	40	12	PJ308040002	8	32	SD0600327TP	36	20
PA1502502A0	8	17	PJ309520001	66	28	SD0600328TP	46	77
PA1502502A0	20	7	PS0200062KH	22	34	SD0640246SP	16	46
PA1602006B0	8	18	PS0200062KH	46	88	SD0700586TP	32	32
PA1602006B0	26	8	PS0250052KP	26	14	SD0790706TP	36	18
PA1603014A0	8	19	PS0400082KP	24	55	SD0800327TP	48	27
PA1603014A0	42	3	PS0400142KH	14	50	SD0800329TP	26	22
PA2001506A0	8	20	PV150209000	24	90	SD0800606TP	44	13
PA2001506A0	32	9	PV150209000	74	72	SD1001526TP	32	43
PA900070000	30	18	PX500014000	8	34	SD1001526TP	48	3
PB000010000	66	17	PX500014000	74	71	SK3311600SC	70	8
PC012406000	8	21	PX500020000	26	28	SK3412000SC	62	26
PC012406000	24	93	PX950001000	8	35	SK3413201SE	56	24
PC022403E00	8	22	PX950001000	66	23-27	SK3452001SE	66	21
PC022403E00	40	23	RC0100001KP	36	45	SK3512001SE	52	79
PH0200054C0	28	55	RC1200001KP	16	42	SK3514000SC	62	18
PH0400284S0	62	22	RC1850001KP	16	43	SL4030691SC	56	12
PJ046039003	10	85	RE0300000KP	28	60	SL4030881SC	56	20
PJ046039003	46	80	RE0400000KP	44	32	SL4033091SC	50	25
PJ046052503	8	23	RE0500000K0	14	51	SL4040881SC	50	18

NUMERICAL INDEX OF PARTS

PART NO	PAGE	REF NO.	PART NO	PAGE	REF NO.	PART NO	PAGE	REF NO.
SL4040891SC	2	57	SM4030455SN	46	90	SM6040450TP	20	34
SL4040891SC	4	57	SM4030455SP	22	33	SM6040600SP	32	38
SL4040891SC	50	60	SM4030501UZ	24	73	SM6040600SP	44	29
SL4040891SC	52	60	SM4030801SF	52	52	SM6040602SP	30	29
SL4041081SC	52	69	SM4030855SN	4	60	SM6040602TN	26	41
SL4041091SC	4	85	SM4030855SN	14	58	SM6040602TP	2	49
SL4041091SC	10	76	SM4030855SN	22	14	SM6040602TP	4	49
SL4041091SC	50	71	SM4030855SN	30	8	SM6040602TP	14	59
SL4041091SC	52	71	SM4030855SN	34	54	SM6040602TP	18	49
SL4041681SF	52	58	SM4030855SN	36	37	SM6040602TP	20	31
SL4043591SC	50	23	SM4030855SN	44	46	SM6040602TP	22	11
SL4051291SC	4	73	SM4030855SN	48	10	SM6040602TP	48	31
SL6030692TN	36	41	SM4040455SP	22	42	SM6040750TP	18	48
SL6031092TN	44	44	SM4040455SP	40	6	SM6040802TP	24	70
SL6032542TN	46	64	SM4040555SP	20	16	SM6040860TP	20	33
SL6040892TN	2	8	SM4040555SP	22	63	SM6040860TP	42	13
SL6040892TN	30	25	SM4040555SP	24	63	SM6041002TP	14	60
SL6040892TN	34	56	SM4040655SP	22	76	SM6041002TP	22	13
SL6040892TN	36	27	SM4040655SP	24	76	SM6041002TP	30	20
SL6040892TN	48	12	SM4040655SP	40	1	SM6041002TP	32	58
SL6040892TN	72	4	SM4040655SP	62	38	SM6041002TP	34	58
SL6041092TN	14	76	SM4040855SP	2	62	SM6041002TP	46	58
SL6041092TN	38	51	SM4040855SP	4	62	SM6041012TP	26	3
SL6041092TN	44	20	SM4040855SP	20	17	SM6041202TP	32	17
SL6042092TN	2	10	SM4040855SP	36	29	SM6041202TP	36	47
SL6042092TN	72	6	SM4040855SP	40	14	SM6041202TP	42	9
SL6051292TN	30	2	SM4041055SP	24	75	SM6041402TP	14	82
SL6051492TN	4	54	SM4041055SP	40	16	SM6041402TP	48	5
SL6061492TN	2	16	SM4041655SP	30	12	SM6050802TP	18	50
SL6062042TN	36	34	SM4041655SP	34	51	SM6051000SP	46	52
SL6062092TN	48	2	SM4050855SP	2	33	SM6051202TN	2	56
SL6062542TN	14	54	SM4051405SE	68	23	SM6051202TN	4	56
SL9082091SE	70	20	SM5040550TP	22	36	SM6051202TP	14	77
SM0030301SN	62	30	SM6030350SD	26	20	SM6051202TP	18	51
SM0050801SC	4	52	SM6030402TP	14	57	SM6051202TP	32	8
SM1020450TH	20	18	SM6030402TP	26	43	SM6051402TP	14	61
SM1030400SP	26	16	SM6030500SN	30	6	SM6051402TP	32	6
SM1030501SC	48	13	SM6030500SN	46	89	SM6051602TP	14	62
SM1040601SC	14	55	SM6030602TP	44	5	SM6051602TP	18	52
SM1040800SP	16	47	SM6030802TP	24	80	SM6051602TP	26	10
SM1041201SP	14	56	SM6030802TP	44	22	SM6051602TP	36	43
SM1042001UZ	24	66	SM6031202TP	46	48	SM6051602TP	42	11
SM4030401SC	72	28	SM6031402TP	24	79	SM6051802TP	32	26
SM4030455SN	24	81	SM6032002TP	26	38	SM6051802TP	42	10
SM4030455SN	40	22	SM6032002TP	46	71	SM6052002TN	14	63

NUMERICAL INDEX OF PARTS

PART NO	PAGE	REF NO.	PART NO	PAGE	REF NO.	PART NO	PAGE	REF NO.
SM6052002TN	18	53	SM9061203SE	70	27	WP0451016SP	24	62
SM6054502TN	18	54	SM9082023SE	70	30	WP0480856SP	62	17
SM6061202TP	22	15	SM9086523SE	70	37	WP0502616SD	18	66
SM6061202TP	62	24	SM9087523SE	66	14	WP0522016SH	34	61
SM6061602TP	14	71	SS2060210SP	28	58	WP0531000SD	34	60
SM6061602TP	36	25	SS2060210SP	42	12	WP0531000SD	48	37
SM6061802TP	14	64	SS2060210SP	62	44	WP0531001SC	68	22
SM6061802TP	18	55	SS4110715SP	18	75	WP0550836SC	2	34
SM6062002TN	18	56	SS6110610TP	18	63	WP0612056SD	4	68
SM6064002TP	18	57	SS6110610TP	42	8	WP0612056SD	18	67
SM6083002TN	50	7	SS6151220SP	62	14	WP0612066SP	26	32
SM6084002TN	52	81	SS7110710SL	62	16	WP0612516SD	16	39
SM6086002TP	62	2	SS7111410SP	62	15	WP0621046SP	22	22
SM6088002TN	70	44	SS8110410TP	18	68	WP0641601SC	70	3
SM6850350TP	48	35	SS8110422TP	18	65	WP0671016SE	70	28
SM8030312TP	44	38	SV4030601SR	52	54	WP0841601SC	50	83
SM8030350TP	14	66	TA0490601R0	18	69	WP0841601SC	52	83
SM8040310SS	18	58	TA0550604R0	56	15	WP0841601SC	62	3
SM8040412TP	14	67	TA0850604R0	4	75	WP0841601SC	70	45
SM8040412TP	22	10	TA1050504R0	4	86	WP0851846SC	70	41
SM8040412TP	30	4	TA2050406R0	2	63	WP0852086SC	52	82
SM8040412TP	44	54	TA2050406R0	4	63	WP0871602SE	70	38
SM8040412TP	46	54	WP0320500SC	24	78	WP1612616SE	68	15
SM8040612TP	18	59	WP0320500SD	46	49	WS0510002KN	68	21
SM8040802TP	52	53	WP0320501SC	46	92	WS0610002KN	70	4
SM8050512TP	14	70	WP0370316SD	26	31	WS0621210KR	70	29
SM8050512TP	18	71	WP0371016SD	14	72	WS0820002KN	62	4
SM8050512TP	30	16	WP0430800SC	20	29	WS0820002KN	70	42
SM8050512TP	32	49	WP0430800SC	48	30	WS0820002KR	50	84
SM8050512TP	34	49	WP0430801SC	22	3	WS0820002KR	52	84
SM8050512TP	36	38	WP0430801SC	28	61	WS0861410KR	70	39
SM8050512TP	44	40	WP0431005SP	4	77	WZ0640200KP	2	13
SM8050512TP	48	25	WP0431005SP	26	35			
SM8050612TP	62	7	WP0450801SD	26	30			
SM8050812TP	32	28	WP0450826SC	28	53			
SM8060552TP	32	36	WP0450846SP	2	83			
SM8060812TP	14	68	WP0450846SP	4	83			
SM8060812TP	18	61	WP0450846SP	18	76			
SM8060812TP	48	15	WP0450846SP	22	94			
SM8061002TP	18	62	WP0450846SP	24	94			
SM8080812TP	14	69	WP0450846SP	30	13			
SM9040600SP	20	32	WP0450846SP	34	52			
SM9040800SP	26	51	WP0450846SP	36	48			
SM9040800SP	28	51	WP0450846SP	38	48			
SM9041050SC	20	30	WP0450846SP	40	17			