

MODEL : UT25
List No : 1386-04

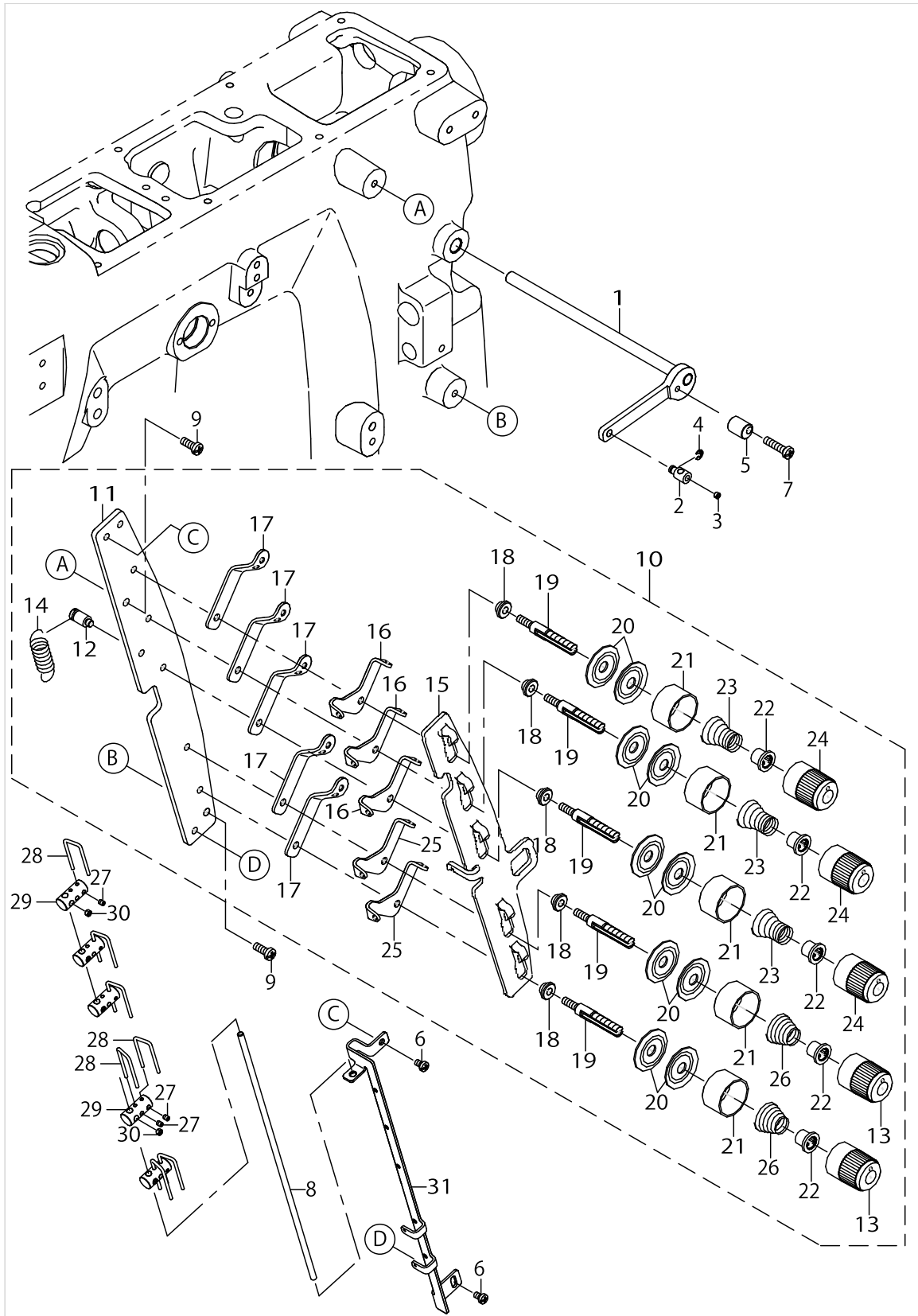
PARTS LIST

Published:09/10/2017

CONTENTS

THREAD TENSION COMPONENTS	1
LOOPER THREAD TRIMMER COMPONENTS	3
PNEUMATIC DRIVE & PRESSER FEED LIFTER COMPONENTS.....	5
TOP COVER THREAD TRIMMER COMPONENTS	9
ACCESSORIE PART COMPONENTS.....	11
HOW TO MAKE USE OF THIS PARTS LIST	13

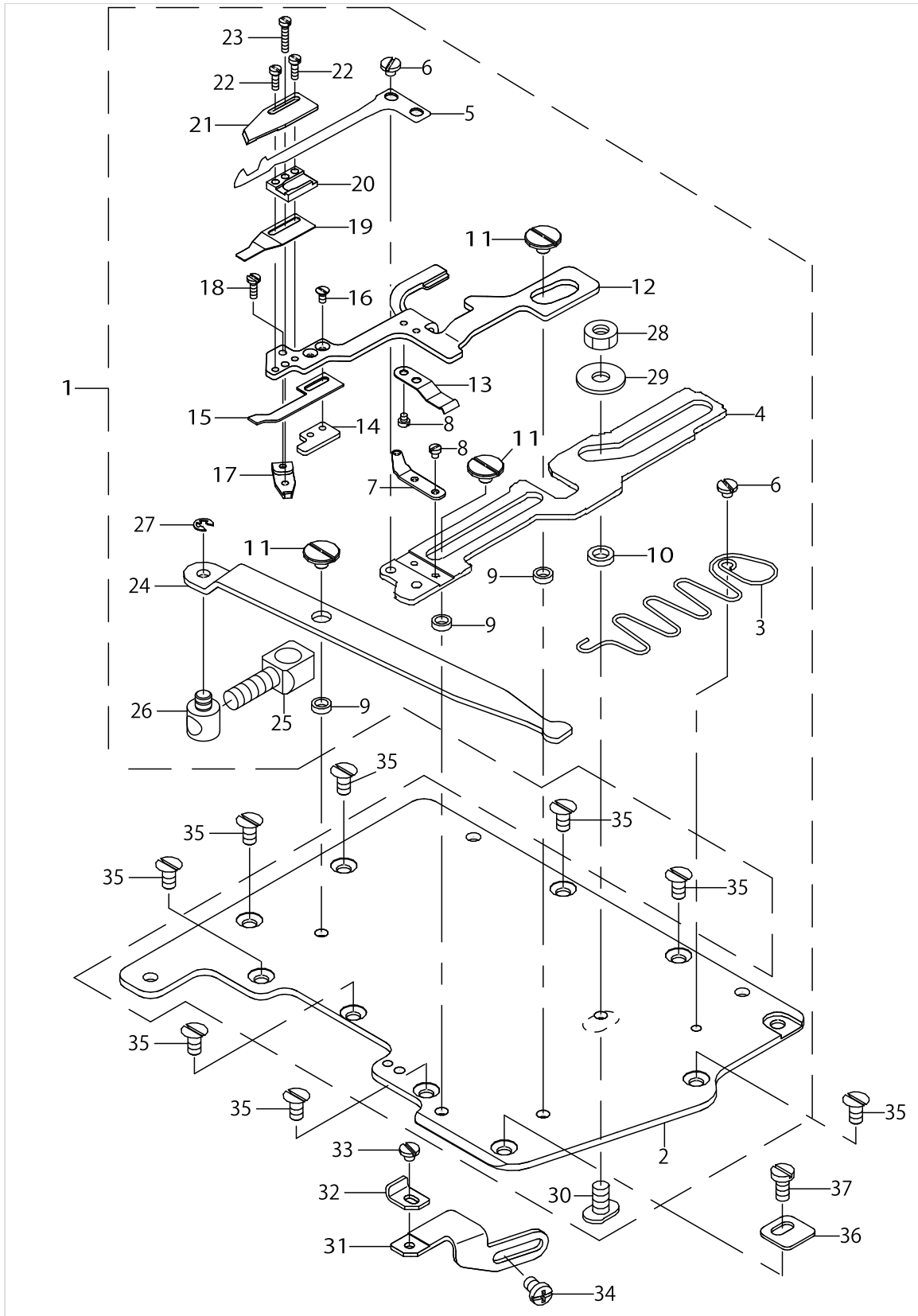
THREAD TENSION COMPONENTS



THREAD TENSION COMPONENTS

No.	Parts No.	Parts name	Remarks	Level	Cons	Qty
1	13456553	PULL_OFF_LEVER_ASSY				1
2	13456405	THD_PULL_OFF_BAR_HOLDER				1
3	SM8040360TP	SCREW				1
4	RE0300000K0	E-RING 3				1
5	40065785	TENS_RELEASE_ADJ_ECC				1
6	SM4040655SP	SCREW M4 L=6				2
7	SM4041655SP	SCREW M4 L=16				1
8	13456108	PULL_OFF_BAR				1
9	SM4041055SP	SCREW				2
10	40066136	THREAD_TENSION_ASSY				1
11	13340203	TENSION POST SUPPORT		*		1
12	13340302	SHOULDER SCREW		*		1
13	40042363	KNOB		*		2
14	B2008372000	THREAD TENSION SPRING		*		1
15	40065784	TENSION_DISC_SEPARATOR		*		1
16	13341607	TENSION_DISC_EYELET_2		*		3
17	13340609	THREAD LEAD IN GUIDE		*		5
18	13340708	SPACER		*		5
19	40042362	TENSION POST		*		5
20	13138201	THREAD TENSION DISK		*		10
21	40042366	THREAD TENSION DISK PRESSER		*		5
22	40042365	SPRING BUSHING		*		5
23	13140504	TENNSION SPRING		*		3
24	40042364	KNOB GREEN		*		3
25	13340500	TENSION DISC EYELET		*		2
26	B3121804000	TENSION SPRING		*		2
27	SM8030412TP	SCREW				7
28	13456603	THD_PULL_OFF_HOOK				7
29	13456207	THD_P_O_HOOK_GUIDE				5
30	SM8040360TP	SCREW				5
31	13456009	THREAD_GUIDE				1

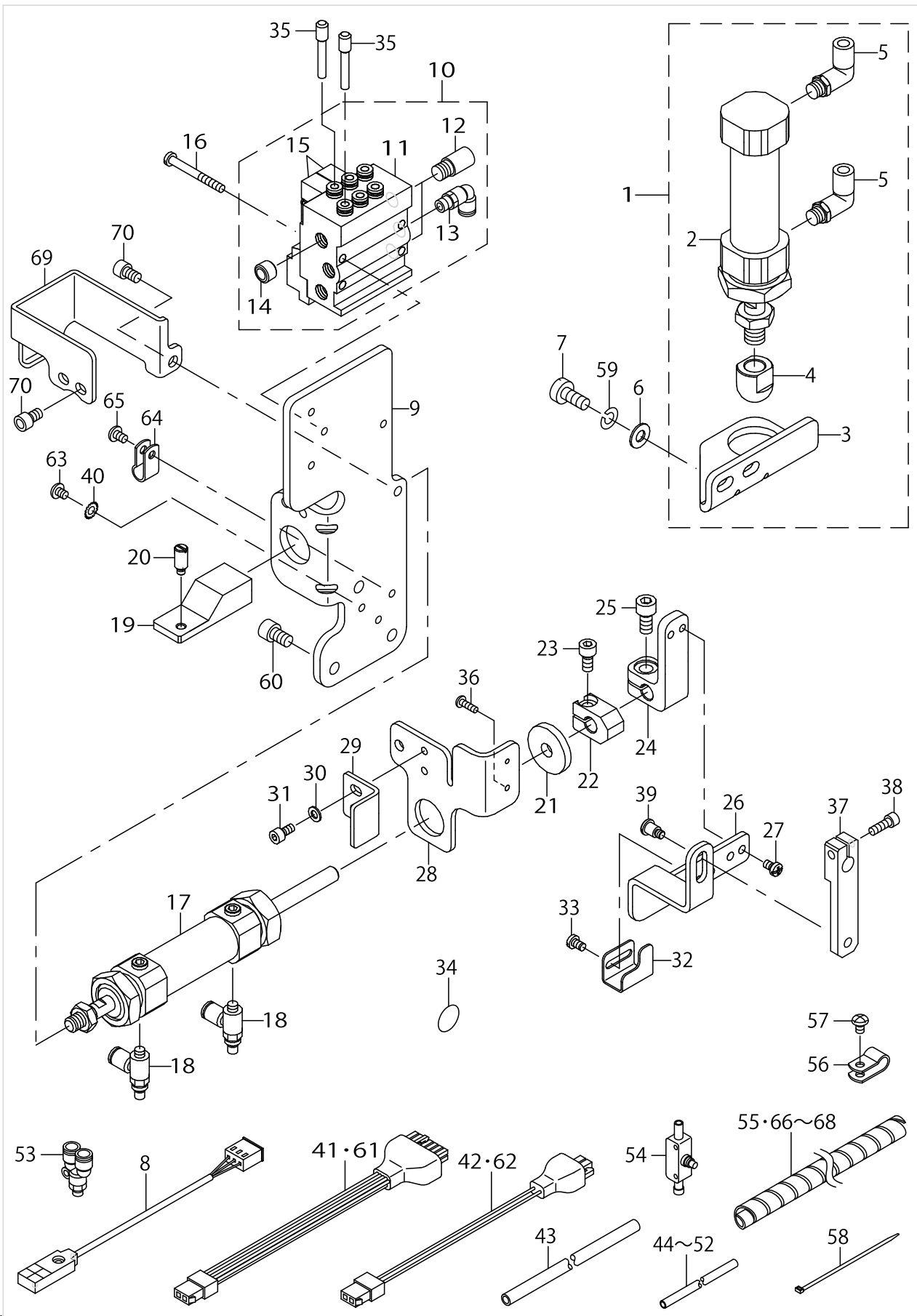
LOOPER THREAD TRIMMER COMPONENTS



LOOPER THREAD TRIMMER COMPONENTS

No.	Parts No.	Parts name	Remarks	Level	Cons	Qty
1	40026174	UNDER_TRIMMER_ASSY				1
2	40070201	BED TOP COVER FOR UT		*		1
3	13440409	SPRING_FOR_UT		*		1
4	13440102	LOWER_KNIFE HOLDER		*		1
5	13441308	LOWER_KNIFE		*		1
6	SM6030350SN	SCREW M3 L=2.5		*		3
7	13440805	EYELET		*		1
8	SM6020250TP	SCREW.		*		4
9	13440904	SPACER_1		*		3
10	13441001	SPACER_2		*		1
11	SM6040460TP	SCREW		*		3
12	13440201	KNIFE HOLDER_GUIDE		*		1
13	13441902	LEAF_SPRING-2		*		1
14	13441605	THREADED_PLATE		*		1
15	13441803	LEAF_SPRING-1		*		1
16	SM1020450TP	SCREW M2 L=4		*		2
17	13441506	TENSION_LEVER		*		1
18	SM6020600TP	SCREW		*		1
19	13442207	LEAF_SPRING-3		*		1
20	13441407	LOWER_KNIFE_GUIDE		*		1
21	13441704	UPPER_KNIFE		*		1
22	SM6020600TP	SCREW		*		2
23	SM6021000TP	SCREW		*		1
24	13440300	LEVER		*		1
25	40025990	LINK_DRIVING		*		1
26	40025989	BOLT_CARRIER		*		1
27	RE0250000K0	E-RING 2.5		*		1
28	NM6040001SP	NUT M4X0.7		*		1
29	WP0431005SP	PLAIN WASHER 4.3X12X1		*		1
30	40070110	SCREW		*		1
31	13440607	GUIDE_BASE				1
32	13440706	GUIDE				1
33	SM6030350SN	SCREW M3 L=2.5				1
34	SM4040655SN	SCREW M4X0.7 L=6				2
35	SM1040860SP	SCREW				8
36	13440508	STOP_PLATE				1
37	SM6040870SP	SCREW				1

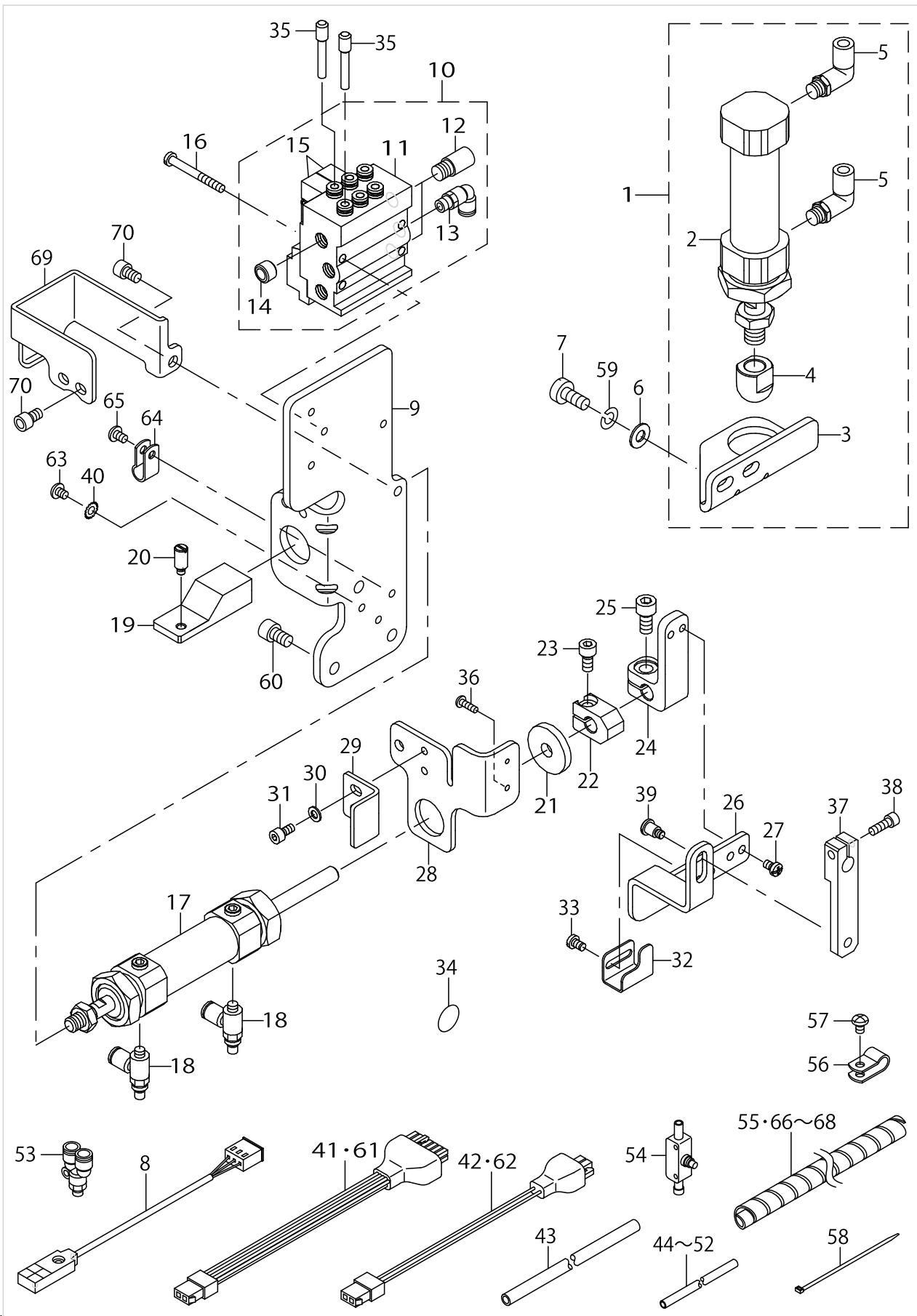
PNEUMATIC DRIVE & PRESSER FEED LIFTER COMPONENTS



PNEUMATIC DRIVE & PRESSER FEED LIFTER COMPONENTS

No.	Parts No.	Parts name	Remarks	Level	Cons	Qty
1	40018079	PNEUMATIC_P_F_LIFTER_ASSY				1
2	PA2503004A0	AIR CYLINDER		*		1
3	13455001	AIR_CYLINDER_BRACKET		*		1
4	13455100	AIR_CYLINDER_CAP		*		1
5	PJ304045102	ELBOW UNION, C		*		2
6	WP0621016SD	WASHER 6.2X13X1				2
7	SM6061400SP	SCREW M6 L=14				2
8	40021746	UNDER_TRIMMER_SENSOR_CABLE_ASM	FOR SC-500,SC-510			1
9	13442504	AIR_CYLINDER_BRACKET				1
10	40072396	MANIFOLD_VALVE_ASSY				1
11	PV035161000	MANIFOLD		*		1
12	PX055104000	SILENCER (PT1/8)		*		2
13	PJ304065101	ELBOW UNION 6XPT1/8		*		1
14	PJ025100002	PLUG R1/8		*		3
15	PV150103200	5-PORT SOKENOID VALVE		*		2
16	SM4043555SP	SCREW				2
17	PA2001802A0	AIR CYLINDER				1
18	PC010508000	SPEED CONTROLLER				2
19	13442603	PLUNGER				1
20	13442702	PIN				1
21	13443601	WASHER				1
22	13442900	COLLAR				1
23	SM6051002TP	SCREW M5X0.8 L=10				1
24	13443007	PLATE HOLDER				1
25	SM6061202TP	SCREW M6 L=12				1
26	13443106	TENS_RELEASE_PLATE				1
27	SM4040655SP	SCREW M4 L=6				2
28	13442801	SENSOR HOLDER				1
29	13443700	SUPPORT_PLATE_UT				1
30	WP0430800SC	WASHER M4				2
31	SM6040802TP	SCREW M4X0.7 L=8				2
32	13443205	SWITCH_PLATE				1
33	SM4040655SP	SCREW M4 L=6				2
34	22901805	GROUND MARK				1
35	PX500014000	PLUG				2
36	SM4031001SN	SCREW				1
37	13443304	TENSION_RELEASE_LEVER				1
38	SM6041202TP	SCREW M4X0.7 L=12				1
39	SD0700706TP	SHOULDER SCREW				1
40	WT0430002KN	WASHER M4				1
41	40018084	UNDER_TRIMMER_CABLE_ASM	FOR SC-500			1
42	40018085	LIFT_UP_CABLE_ASM.	FOR SC-500			1
43	BT0600401EB	TUBE				2
44	BT0400251EB	URETHANE HOSE, BLACK				0.27
45	BT0400251EB	URETHANE HOSE, BLACK				0.32
46	BT0400251EB	URETHANE HOSE, BLACK				0.08
47	BT0400251EB	URETHANE HOSE, BLACK				0.08

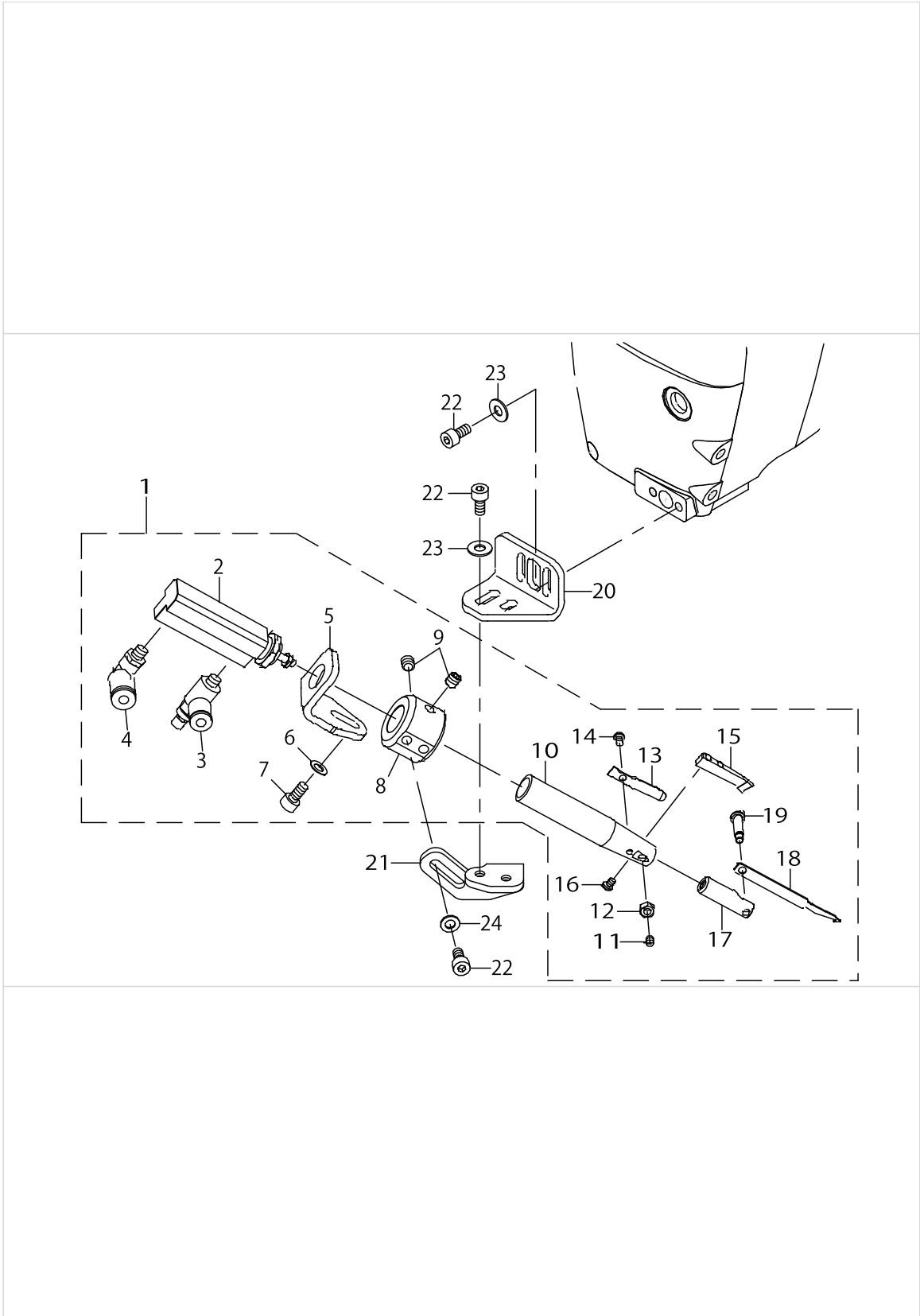
PNEUMATIC DRIVE & PRESSER FEED LIFTER COMPONENTS



PNEUMATIC DRIVE & PRESSER FEED LIFTER COMPONENTS

No.	Parts No.	Parts name	Remarks	Level	Cons	Qty
48	BT0400251EB	URETHANE HOSE, BLACK				0.42
49	BT0400251EB	URETHANE HOSE, BLACK				0.23
50	BT0400251EB	URETHANE HOSE, BLACK				0.63
51	BT0400251EB	URETHANE HOSE, BLACK				0.3
52	BT0400251EB	URETHANE HOSE, BLACK				0.22
53	PJ308040006	UNION				2
54	PC012401000	SPEED CONTROLLER				1
55	HX00314000A	SPIRAL TUBE				0.6
56	HX00150000B	CABLE CLIP				2
57	SM4040655SP	SCREW M4 L=6				2
58	EA9500B0100	CABLE BAND				3
59	WS0610002KP	SPRING WASHER				2
60	SM6061002TP	SCREW M6 L=10				3
61	40027211	UNDER_TRIMMER_CABLE_B_ASM.	FOR SC-510			1
62	40027213	LIFT_UP_CABLE_B_ASM.	FOR SC-510			1
63	SM4040501SN	SCREW M4X0.7 L=5				1
64	HX00150000B	CABLE CLIP				1
65	SM4040655SP	SCREW M4 L=6				1
66	HX003140000	SPIRAL TABE				0.96
67	HX00314000D	SPIRAL TUBE				0.12
68	HX00314000D	SPIRAL TUBE				0.1
69	40069703	SOLENOIDE_COVER				1
70	SM6050802TP	SCREW M5X0.8 L=8				3

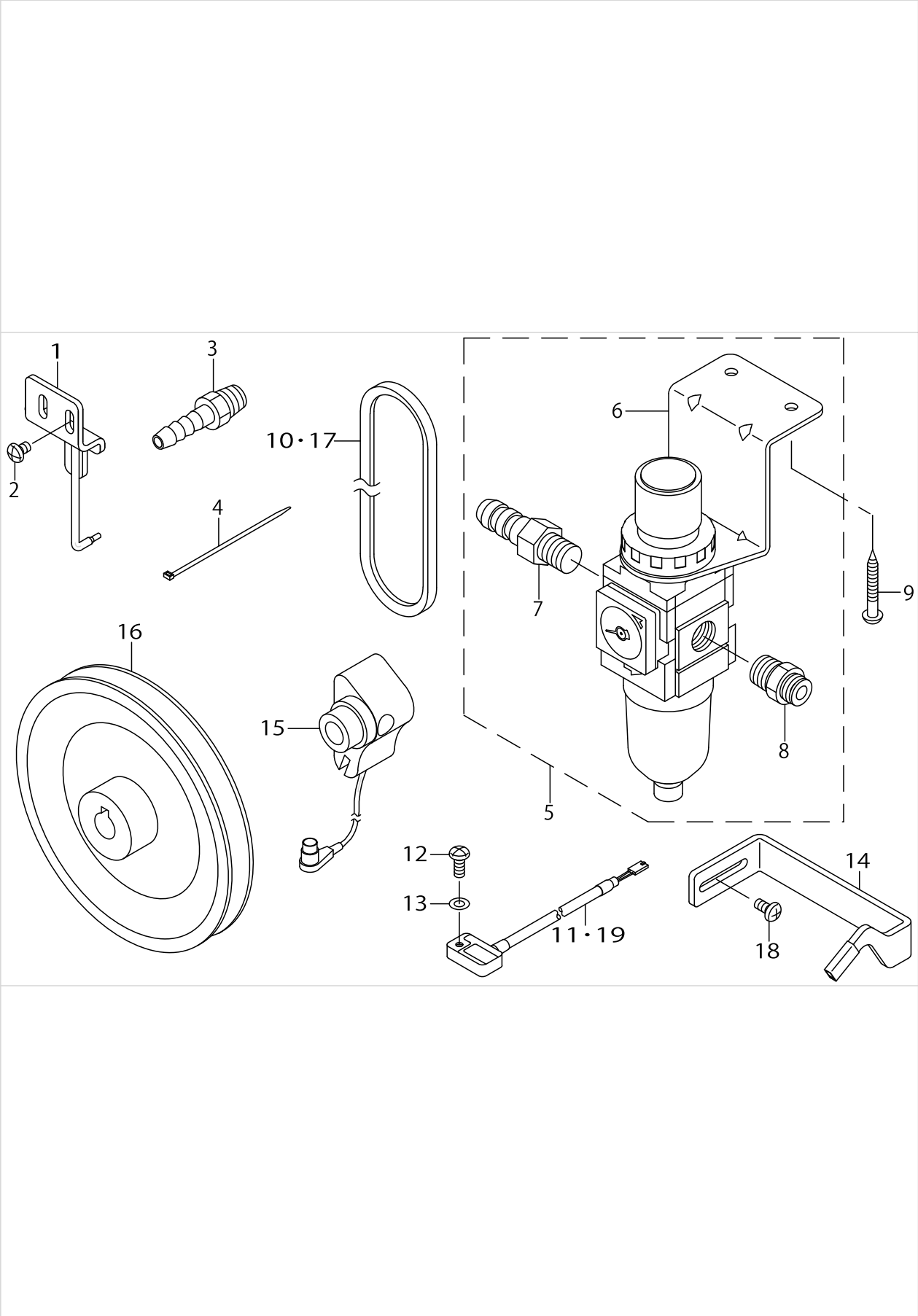
TOP COVER THREAD TRIMMER COMPONENTS



TOP COVER THREAD TRIMMER COMPONENTS

No.	Parts No.	Parts name	Remarks	Level	Cons	Qty
1	40021279	U_L_THREAD_TRIMMER_ASSY				1
2	PA0602006A0	AIR CYLINDER		*		1
3	PC010508000	SPEED CONTROLLER		*		1
4	PJ304040504	ELBOW UNION		*		1
5	13459300	AIR_CYLINDER_BRACKET		*		1
6	WP0430800SC	WASHER M4		*		2
7	SM6040802TN	SCREW		*		2
8	13458203	COLLAR		*		1
9	SM8050512TP	SCREW		*		2
10	13458302	KNIFE HOLDER		*		1
11	SM8030450SP	SCREW M3 L=4		*		1
12	NM6030001SD	NUT M3X0.5		*		1
13	13458401	SPRING		*		1
14	SM4850455SP	SCREW		*		1
15	40029004	FIXED_KNIFE		*		1
16	SM4850455SP	SCREW		*		2
17	13458005	MOVING_KNIFE HOLDER		*		1
18	40058211	MOVING_KNIFE		*		1
19	13458104	SHOULDER_SCREW		*		1
20	40050570	BRACKET_2				1
21	40050569	BRACKET				1
22	SM6040802TN	SCREW				6
23	WP0450826SC	WASHER 4.5X10X0.8				4
24	WP0430800SC	WASHER M4				2

ACCESSORIE PART COMPONENTS



ACCESSORIE PART COMPONENTS

No.	Parts No.	Parts name	Remarks	Level	Cons	Qty
1	13442058	AIR_BLOW_TUBE_ASSY				1
2	SM4040655SP	SCREW M4 L=6				2
3	PJ032526001	HOSE NIPPLE				1
4	EA9500B0100	CABLE BAND				4
5	40018052	FILTER_REGULATOR_ASSY				1
6	PF0552070C0	FILTER GEGULATOR		*		1
7	F1021003000	HOSE JOINT		*		1
8	PJ301065201	HALF UNION 6XPT1/4		*		1
9	SK3451600SC	WOOD SCREW D=4.5 L=16				2
10	MTJVM003900	V-BELT, 39 INCH	FOR SC-500			1
11	40021727	RESISTOR PACK BL ASM.	FOR MF-7800(SC-500)			1
12	SM4041055SP	SCREW	FOR SC-500			1
13	WP0430800SD	WASHER M4	FOR SC-500			1
14	40082313	STOPPER ASM	FOR SC-500,SC-510			1
15	40026920	SYNCHRONIZER ASM.	FOR SC-500,SC-510			1
16	MTSP0115000A	MOTOR PULLEY	FOR SC-510			1
17	MTJVM004000	V-BELT, 40 INCH	FOR SC-510			1
18	SM4040855SP	SCREW				2
19	40083598	RESISTOR PACK AA ASM.	FOR MF-7800D(SC-500)			1

HOW TO MAKE USE OF THIS PARTS LIST

- 1.As to "#01" and "#02" refer to the "Note" given at the bottom of the respective pages.
- 2.Codes on the "Qty" column
 - Each numeral indicates the number of parts required.
 - "0.1" and "2.5" indicate the length (in meters) of the respective parts.
- 3.Parentheses mean that the corresponding part is a subpart that constructs an assembly part.
- 4.Dotted lines on the Figures indicate assembly parts.

ALL PARTS NOT MENTIONED IN THIS PARTS LIST ARE SAME AS THOSE OF
MODEL MF-7800. OTHER PARTS LIST RELATED TO THIS MODEL.
*MF-7800 SERIES (NO.1379 PART NO.13450002)

NUMERICAL INDEX OF PARTS

PART NO	PAGE	REF NO.	PART NO	PAGE	REF NO.	PART NO	PAGE	REF NO.
13138201	2	20	13456603	2	28	EA9500B0100	12	4
13140504	2	23	13458005	10	17	F1021003000	12	7
13340203	2	11	13458104	10	19	HX00150000B	8	64
13340302	2	12	13458203	10	8	HX003140000	8	55·66~ 68
13340500	2	25	13458302	10	10	HX00314000A	8	55·66~ 68
13340609	2	17	13458401	10	13	HX00314000D	8	55·66~ 68
13340708	2	18	13459300	10	5	MTJVM003900	12	10·17
13341607	2	16	22901805	6	34	MTJVM004000	12	10·17
13440102	4	4	40018052	12	5	MTSP0115000A	12	16
13440201	4	12	40018079	6	1	NM6030001SD	10	12
13440300	4	24	40018084	6	41·61	NM6040001SP	4	28
13440409	4	3	40018085	6	42·62	PA0602006A0	10	2
13440508	4	36	40021279	10	1	PA2001802A0	6	17
13440607	4	31	40021727	12	11·19	PA2503004A0	6	2
13440706	4	32	40021746	6	8	PC010508000	6	18
13440805	4	7	40025989	4	26	PC010508000	10	3
13440904	4	9	40025990	4	25	PC012401000	8	54
13441001	4	10	40026174	4	1	PF0552070C0	12	6
13441308	4	5	40026920	12	15	PJ025100002	6	14
13441407	4	20	40027211	8	41·61	PJ032526001	12	3
13441506	4	17	40027213	8	42·62	PJ301065201	12	8
13441605	4	14	40029004	10	15	PJ304040504	10	4
13441704	4	21	40042362	2	19	PJ304045102	6	5
13441803	4	15	40042363	2	13	PJ304065101	6	13
13441902	4	13	40042364	2	24	PJ308040006	8	53
13442058	12	1	40042365	2	22	PV035161000	6	11
13442207	4	19	40042366	2	21	PV150103200	6	15
13442504	6	9	40050569	10	21	PX055104000	6	12
13442603	6	19	40050570	10	20	PX500014000	6	35
13442702	6	20	40058211	10	18	RE0250000K0	4	27
13442801	6	28	40065784	2	15	RE0300000K0	2	4
13442900	6	22	40065785	2	5	SD0700706TP	6	39
13443007	6	24	40066136	2	10	SK3451600SC	12	9
13443106	6	26	40069703	8	69	SM1020450TP	4	16
13443205	6	32	40070110	4	30	SM1040860SP	4	35
13443304	6	37	40070201	4	2	SM4031001SN	6	36
13443601	6	21	40072396	6	10	SM4040501SN	8	63
13443700	6	29	40082313	12	14	SM4040655SN	4	34
13455001	6	3	40083598	12	11·19	SM4040655SP	2	6
13455100	6	4	B2008372000	2	14	SM4040655SP	6	65
13456009	2	31	B3121804000	2	26	SM4040655SP	8	65
13456108	2	8	BT0400251EB	6	44~52	SM4040655SP	12	2
13456207	2	29	BT0400251EB	8	44~52	SM4040855SP	12	18
13456405	2	2	BT0600401EB	6	43			
13456553	2	1	EA9500B0100	8	58			

NUMERICAL INDEX OF PARTS

PART NO	PAGE	REF NO.
SM4041055SP	2	9
SM4041055SP	12	12
SM4041655SP	2	7
SM4043555SP	6	16
SM4850455SP	10	16
SM6020250TP	4	8
SM6020600TP	4	22
SM6021000TP	4	23
SM6030350SN	4	33
SM6040460TP	4	11
SM6040802TN	10	22
SM6040802TP	6	31
SM6040870SP	4	37
SM6041202TP	6	38
SM6050802TP	8	70
SM6051002TP	6	23
SM6061002TP	8	60
SM6061202TP	6	25
SM6061400SP	6	7
SM8030412TP	2	27
SM8030450SP	10	11
SM8040360TP	2	30
SM8050512TP	10	9
WP0430800SC	6	30
WP0430800SC	10	24
WP0430800SD	12	13
WP0431005SP	4	29
WP0450826SC	10	23
WP0621016SD	6	6
WS0610002KP	8	59
WT0430002KN	6	40