

MODEL : DP-2100

List No : 1385-06

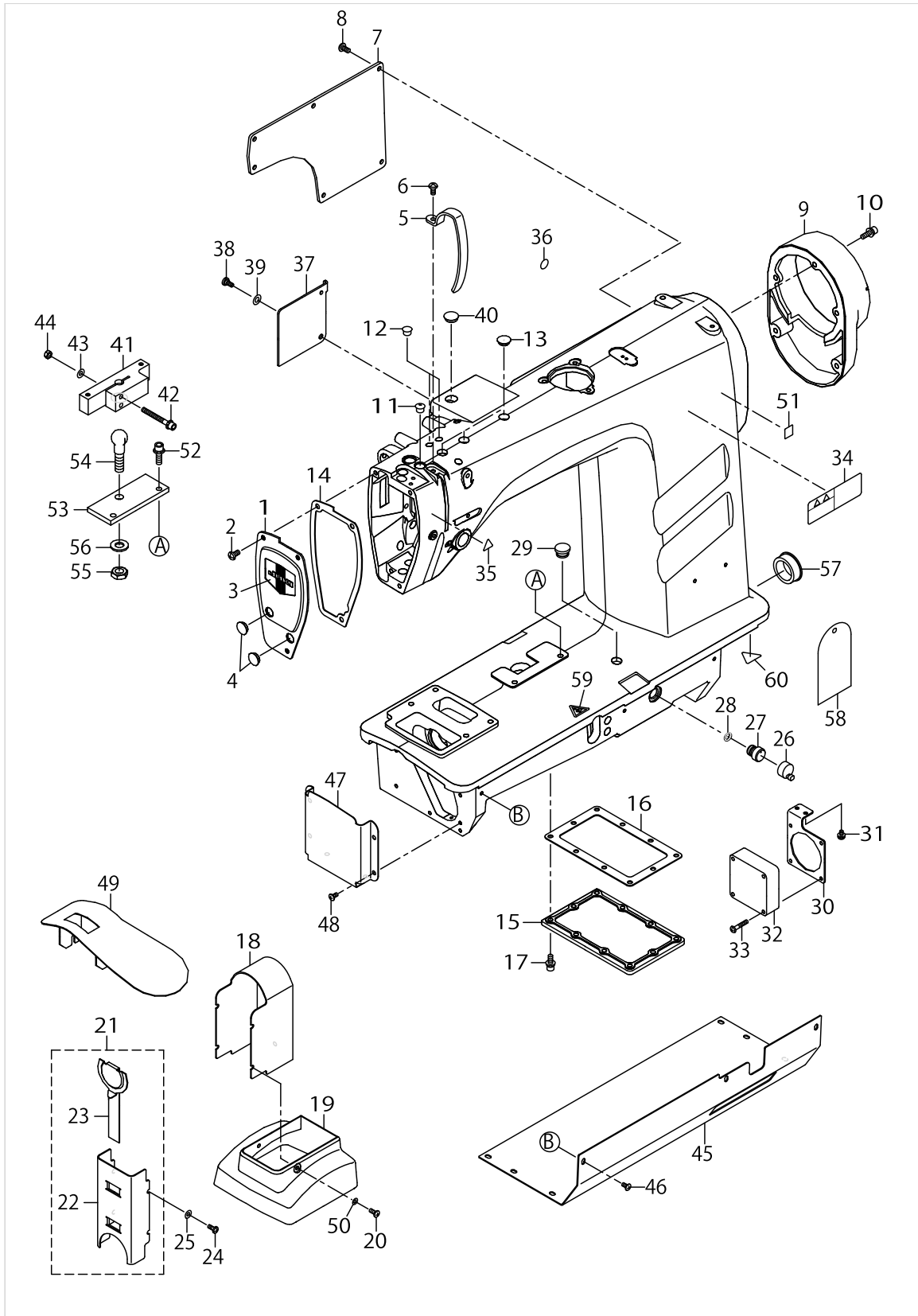
PARTS LIST

Published:09/10/2017

CONTENTS

FRAME & MISCELLANEOUS COVER COMPONENTS (1)	1
FRAME & MISCELLANEOUS COVER COMPONENTS (2)	5
MAIN SHAFT & NEEDLE BAR COMPONENTS	7
PRESSER COMPONENTS	11
PRESSER LIFTER COMPONENTS	15
UPPER FEED MECHANISM COMPONENTS	19
LOWER FEED MECHANISM & HOOK SHAFT & LOWER SHAFT COMPONENTS	25
THREAD TRIMMER MECHANISM COMPONENTS	31
THREAD TENSION COMPONENTS	33
BOBBIN WINDER COMPONENTS	35
THREAD STAND COMPONENTS	37
TABLE STAND COMPONENTS	39
CONTROL BOX COMPONENTS	43
OPERATION PANEL COMPONENTS (IP-200C)	47
WIRING DIAGRAM	49
CONTROL BOX ACCESSORIE PART COMPONENTS	51
ACCESSORIE PART COMPONENTS	55
LIST FOR INFORMATION OF CHANGE	57
HOW TO MAKE USE OF THIS PARTS LIST	58

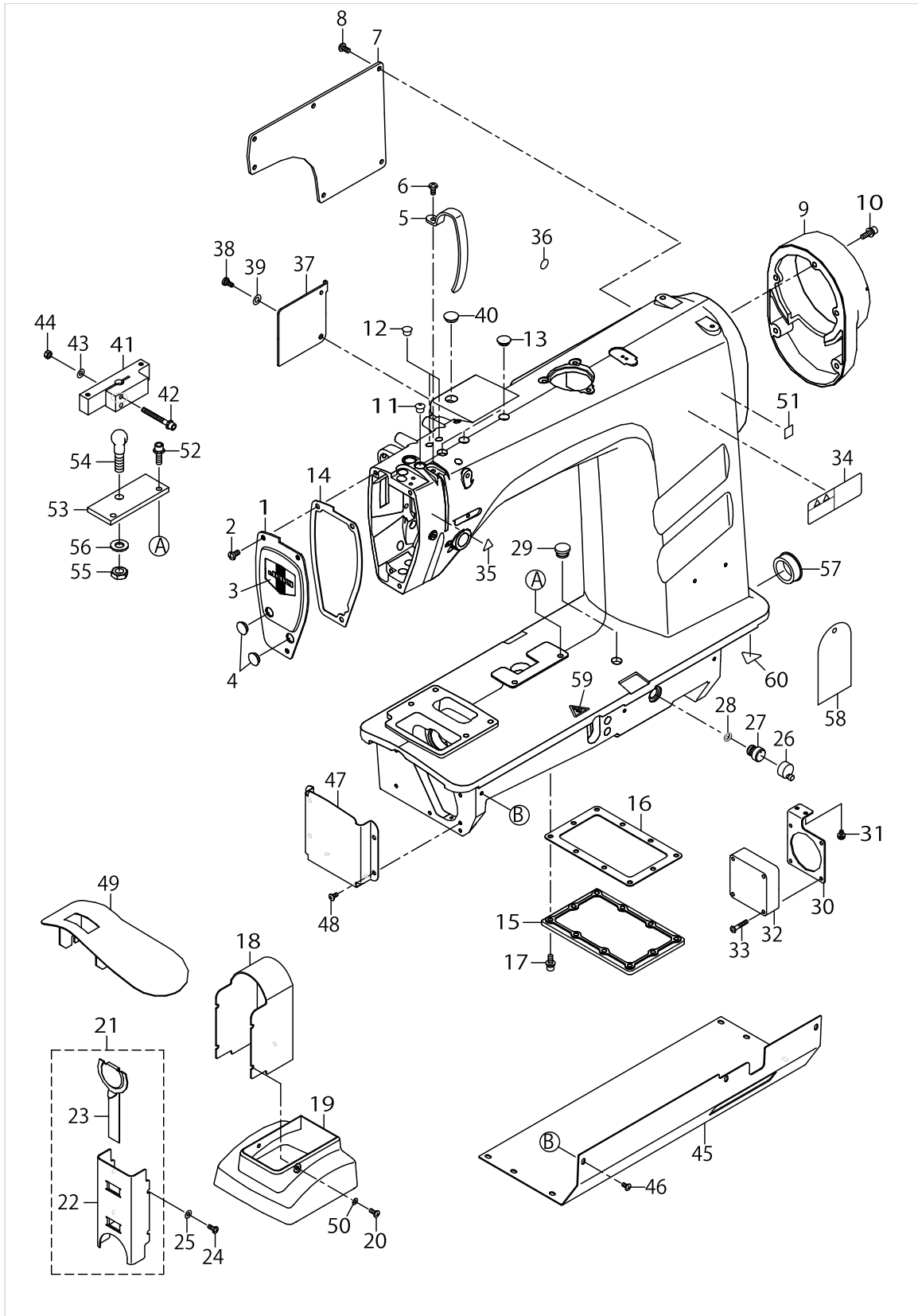
FRAME & MISCELLANEOUS COVER COMPONENTS (1)



FRAME & MISCELLANEOUS COVER COMPONENTS (1)

No.	Parts No.	Parts name	Remarks	Level	Cons	Qty
1	40013172	FACE_PLATE				1
2	SM4051055SP	SCREW				3
3	22902506	FACE PLATE				1
4	TA1250406R0	RUBBER PLUG D=12.5 L=4				2
5	23600505	THREAD TAKE-UP LEVER COVER				1
6	SM4051055SP	SCREW				1
7	40013173	SIDE_PLATE				1
8	SM4051055SP	SCREW				6
9	40013174	PULLEY_COVER				1
10	SL6051692TN	BOLT				5
11	22901409	NEEDLE BAR UPPER BUSH CAP				1
12	TA0850604R0	RUBBER PLUG				2
13	TA1250406R0	RUBBER PLUG D=12.5 L=4				3
14	40056602	FACE PLATE CUSHION				1
15	40012665	GEAR_COVER				1
16	40012666	PACKING				1
17	SL6051492TN	BOLT				10
18	40012945	HOOK_BELT_COVER				1
19	40012944	FRAME_COVER				1
20	SM0040801SC	SCREW				2
21	40017756	HOOK_COVER_ASM.				1
22	40012942	HOOK_SHAFT_BASE_COVER		*		1
23	40012943	HOOK_COVER		*		1
24	SM5041055SN	SCREW M4X10				2
25	WP0450826SC	WASHER 4.5X10X0.8				2
26	23601305	AIR-DISCHARGING CAP				1
27	23629900	AIR-DISCHARGING				1
28	RO080150200	RUBBER RING				1
29	TA1250705R0	RUBBER PLUG				1
30	40016902	FAN_PLATE				1
31	SL4040891SC	SCREW M4 L=8				2
32	40005402	HEAD FAN MOTOR A ASS'Y				1
33	SM4042501SC	SCREW M4X0.7 L=25				4
34	CM301300001	SAFETY LABEL				1
35	CM300200001	ATTENTION SEAL				1
36	10004109	GROUND MARK				1
37	40016951	UPPER_FEED_SPRING_ROD_COVER				1
38	SD0600271SP	HINGE SCREW D= 6 H= 2.7				1
39	WZ0620550KP	WASHER				1
40	TA1450404R0	RUBBER PLUG D=14.5 L=4				1
41	40012948	BALL HOLDER				1
42	SL6054592TN	SCREW				2
43	WP0531001SC	WASHER				2
44	NM6050001SC	NUT M5				2
45	40012663	UNDER_COVER	ACCESSORIE PARTS			1
46	SM0040801SC	SCREW	ACCESSORIE PARTS			8
47	40012664	LOWER_FEED_COVER	ACCESSORIE PARTS			1

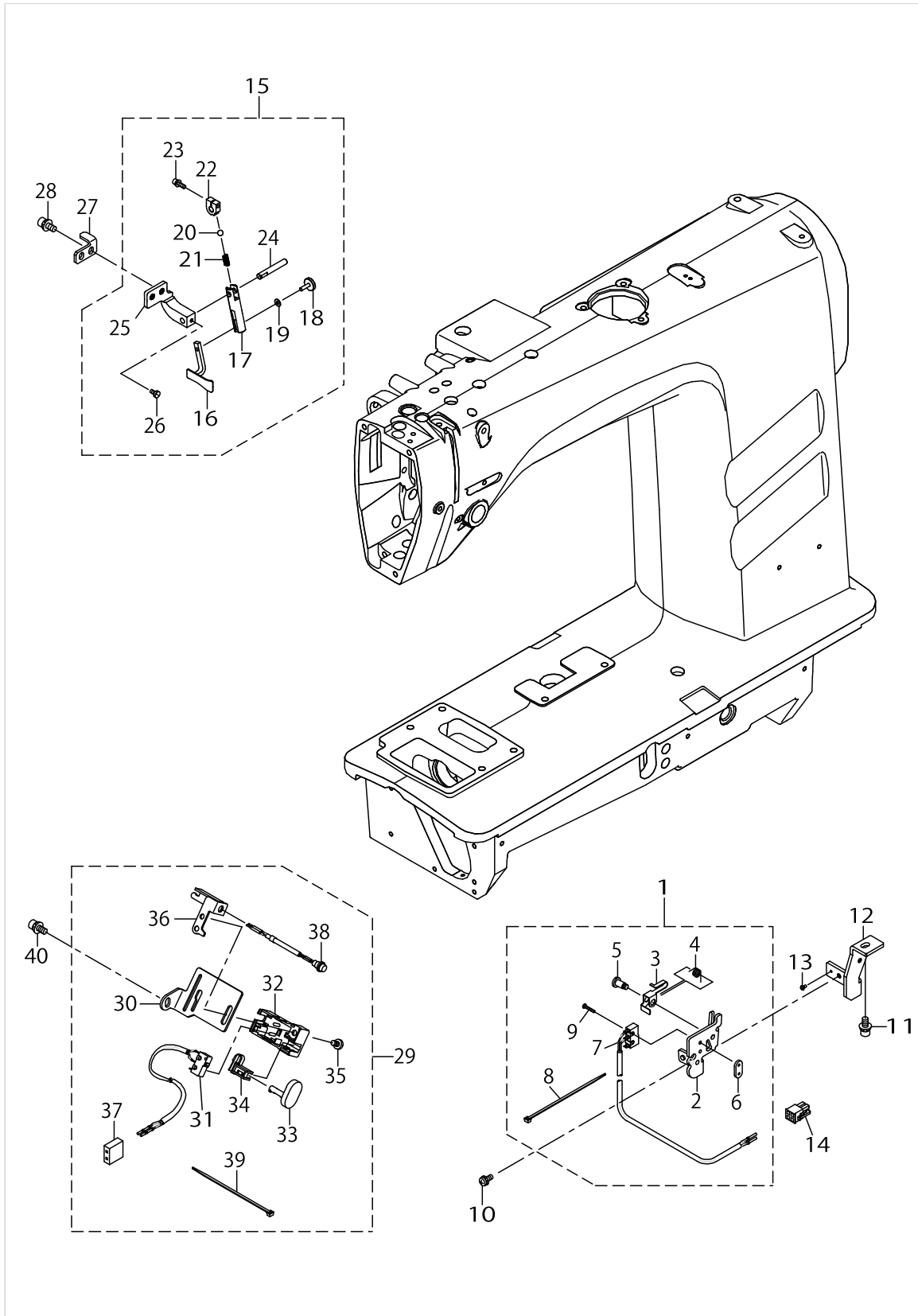
FRAME & MISCELLANEOUS COVER COMPONENTS (1)



FRAME & MISCELLANEOUS COVER COMPONENTS (1)

No.	Parts No.	Parts name	Remarks	Level	Cons	Qty
48	SM0040801SC	SCREW	ACCESSORIE PARTS			4
49	40013198	SUPPORT_PLATE				1
50	WP0451016SP	WASHER 4.5X20X1				2
51	CM600100101	WEEE MARK LABEL S				1
52	SL6062092TN	SCREW M6 L=20				2
53	40012949	PANEL_INSTALLING_PLATE_BASE				1
54	40012946	BALL				1
55	NM6100003SC	NUT M10				1
56	WP1052001SC	WASHER 10,5X21X2				1
57	HX00188000E	BUSH				1
58	23640006	SHEET				1
59	CM300200003	ATTENTION LABEL				1
60	CM300300002	LABEL2 (25)				1

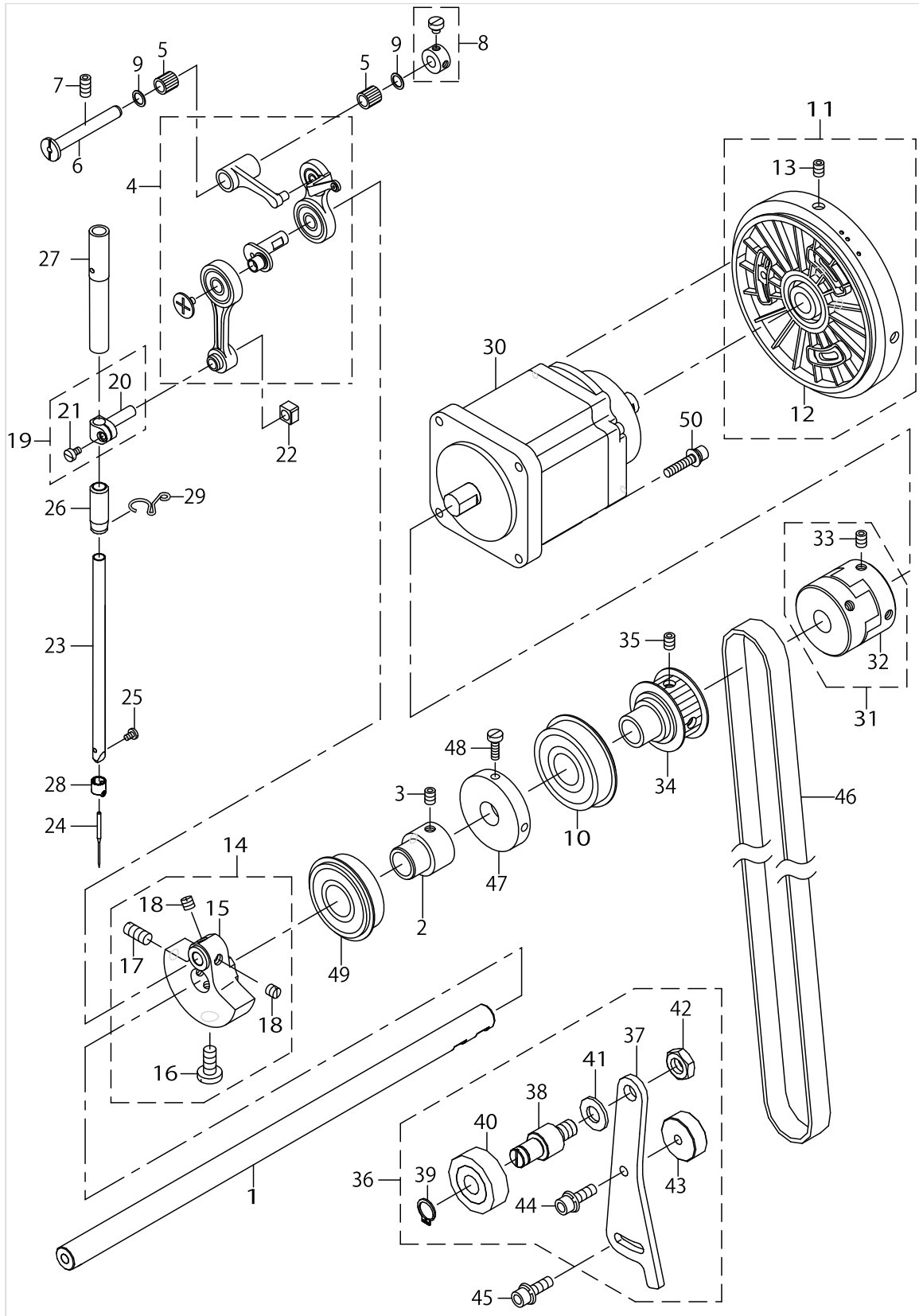
FRAME & MISCELLANEOUS COVER COMPONENTS (2)



FRAME & MISCELLANEOUS COVER COMPONENTS (2)

No.	Parts No.	Parts name	Remarks	Level	Cons	Qty
1	23638059	SAFETY SWITCH ASM.				1
2	23638000	SAFETY SWITCH BASE		*		1
3	23638109	SAFETY SWITCH ARM		*		1
4	23638208	SAFETY SWITCH SPRING		*		1
5	23638307	SAFETY SWITCH ARM SHAFT		*		1
6	23638406	SAFETY SWITCH NUT		*		1
7	23638554	SAFETY SWITCH CORD ASM.		*		1
8	EA9500B0100	CABLE BAND		*		1
9	SM4021201SC	SCREW M2 L=12		*		2
10	SL4041091SC	SCREW M4 L=10				1
11	SL6051292TN	BOLT				1
12	40018058	SAFETY_SWITCH_PLATE				1
13	SM4020401SC	SCREW M2 L=4				1
14	HK034610040	HOUSING				1
15	40016940	STITCH_GUIDE_ASM.				1
16	40016933	STITCH_GUIDE		*		1
17	40016934	STITCH_GUIDE_ARM		*		1
18	40016935	KNOB		*		1
19	WP0320501SC	WASHER M3		*		1
20	40016936	BALL		*		1
21	40016937	BALL_SPRING		*		1
22	40016938	STITCH_GUIDE_BRACKET		*		1
23	SL6031242TN	SCREW		*		1
24	40016939	STITCH_GUIDE_SHAFT		*		1
25	40012667	STITCH_GUIDE_BASE		*		1
26	SM9030650SN	SCREW		*		1
27	40021363	STOPPER_PLATE				1
28	SL6051492TN	BOLT				2
29	40014098	OPTION_SWITCH_ASSY				1
30	40013175	SWITCH_BASE		*		1
31	40018458	SW_CABLE_ASSY		*		1
32	23631708	REVERSE FEED SWITCH COVER		*		1
33	23631807	REVERSE FEED SWITCH SHAFT		*		1
34	23631906	REVERSE FEED SWITCH SUPPORT		*		1
35	SS7110740TP	SCREW 11/64-40 L=7		*		1
36	23540909	MANUAL SWITCH BASE GUIDE		*		1
37	HK016590060	HOUSING		*		1
38	40041232	SW LED CABLE A ASSY		*		1
39	EA9500B0100	CABLE BAND		*		2
40	SL6051292TN	BOLT				1

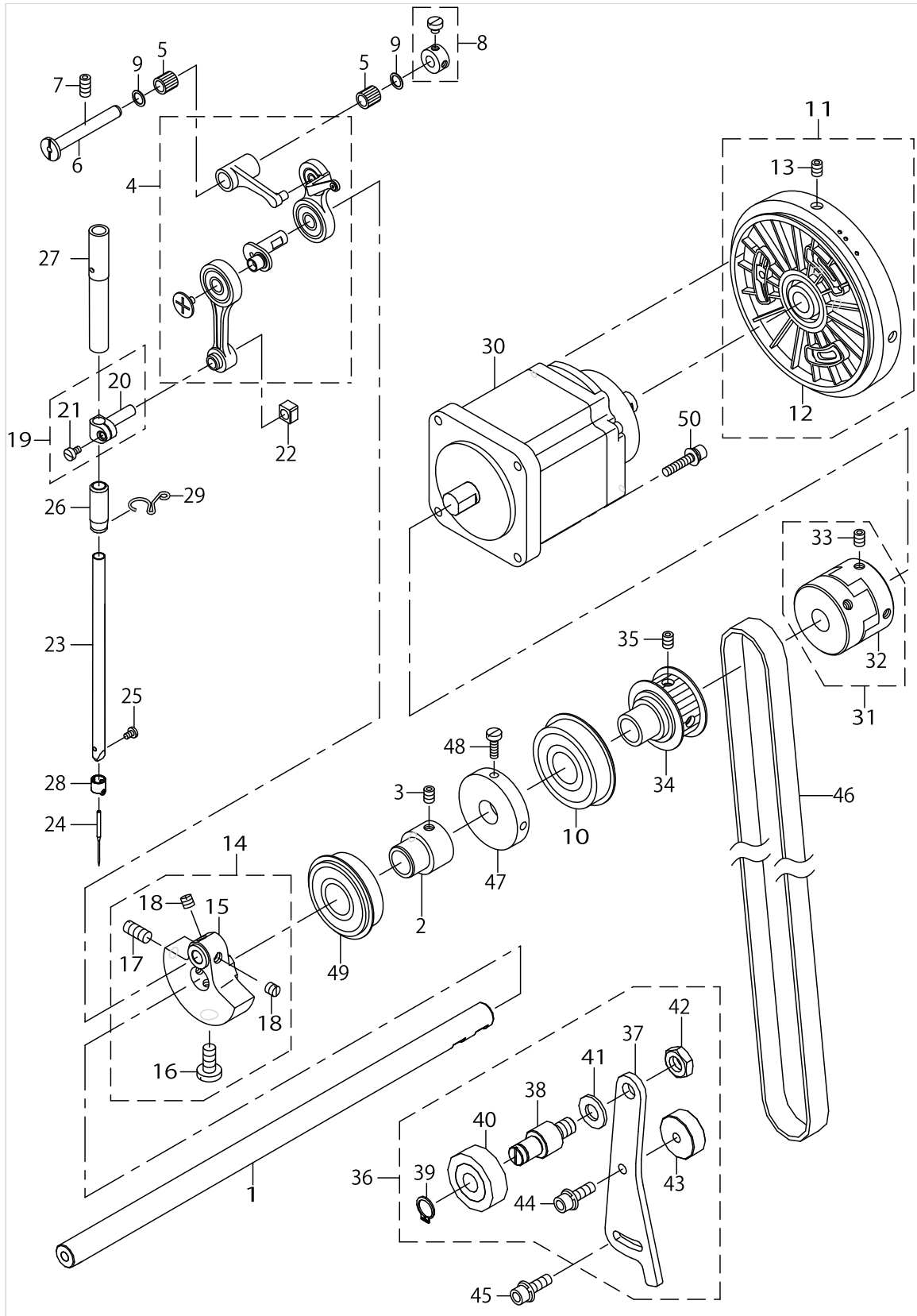
MAIN SHAFT & NEEDLE BAR COMPONENTS



MAIN SHAFT & NEEDLE BAR COMPONENTS

No.	Parts No.	Parts name	Remarks	Level	Cons	Qty
1	40012035	UPPER_SHAFT				1
2	23604200	MAIN SHAFT BEARING SUPPORT				1
3	SM8060812TP	SCREW M6 L=8				2
4	23622061	THREAD TAKE-UP ASM.				1
5	SB307000200	BEARING				2
6	23622400	THREAD TAKE-UP CRANK SHAFT				1
7	SM8061212TP	SCREW M6X12				1
8	40010434	THRUST_COLLAR_ASM.				1
9	22891204	BEARING SUPPORT				2
10	SB120000800	BEARING				1
11	40044906	HAND WHEEL ASM.				1
12	23604408	HAND WHEEL		*		1
13	SM8060812TP	SCREW M6 L=8		*		2
14	23604168	COUNTER WEIGHT ASM.				1
15	23604119	COUNTER WEIGHT		*		1
16	SS7681650TP	SCREW 9/32-28 L=16		*		1
17	SS8681650TP	SCREW 9/32-28 L=16		*		1
18	SS8660610TP	SCREW 1/4-40 L=6		*		2
19	22906457	NEEDLE BAR HOLDER ASM.				1
20	22906408	NEEDLE ROD HOLDER		*		1
21	SS6090670TP	SCREW 9/64-40 L=6		*		1
22	B1414555000	SLIDE BLOCK				1
23	11141207	NEEDLE BAR				1
24	MDP170B1100	NEEDLE DPX17 #11			☆	1
25	SS7080510TP	SCREW 1/8-44 L=4.5				1
26	22886808	NEEDLE BAR BUSHING,LOWER				1
27	23608003	NEEDLE BAR METAL,UPPER				1
28	22906309	NEEDLE BAR THREAD GUIDE				1
29	23626203	NEEDLE BAR THREAD GUIDE				1
30	KM000000470	AC SERVO MOTOR				1
31	40051473	COUPLING ASM.				1
32	40051474	COUPLING		*		1
33	SM80608A2TP	SCREW M6 L=8		*		4
34	40039946	SPROCKET ASM.				1
35	SM8060812TP	SCREW M6 L=8				2
36	40017757	IDLER_ASM				1
37	40012669	IDLER_INSTALLING_PLATE		*		1
38	40012671	IDLER_SHAFT		*		1
39	RC1200001KP	C-SHAPED SNAP RING		*		1
40	SB112001500	BEARING		*		1
41	WP1052001SC	WASHER 10,5X21X2		*		1
42	NM6100003SC	NUT M10		*		1
43	40017589	TENSION_PLATE_BASE		*		1
44	SL6062092TN	SCREW M6 L=20		*		1
45	SL6062092TN	SCREW M6 L=20				1
46	40017591	TIMING_BELT				1
47	23636400	BOBBIN WINDER DRIVING WHEEL				1

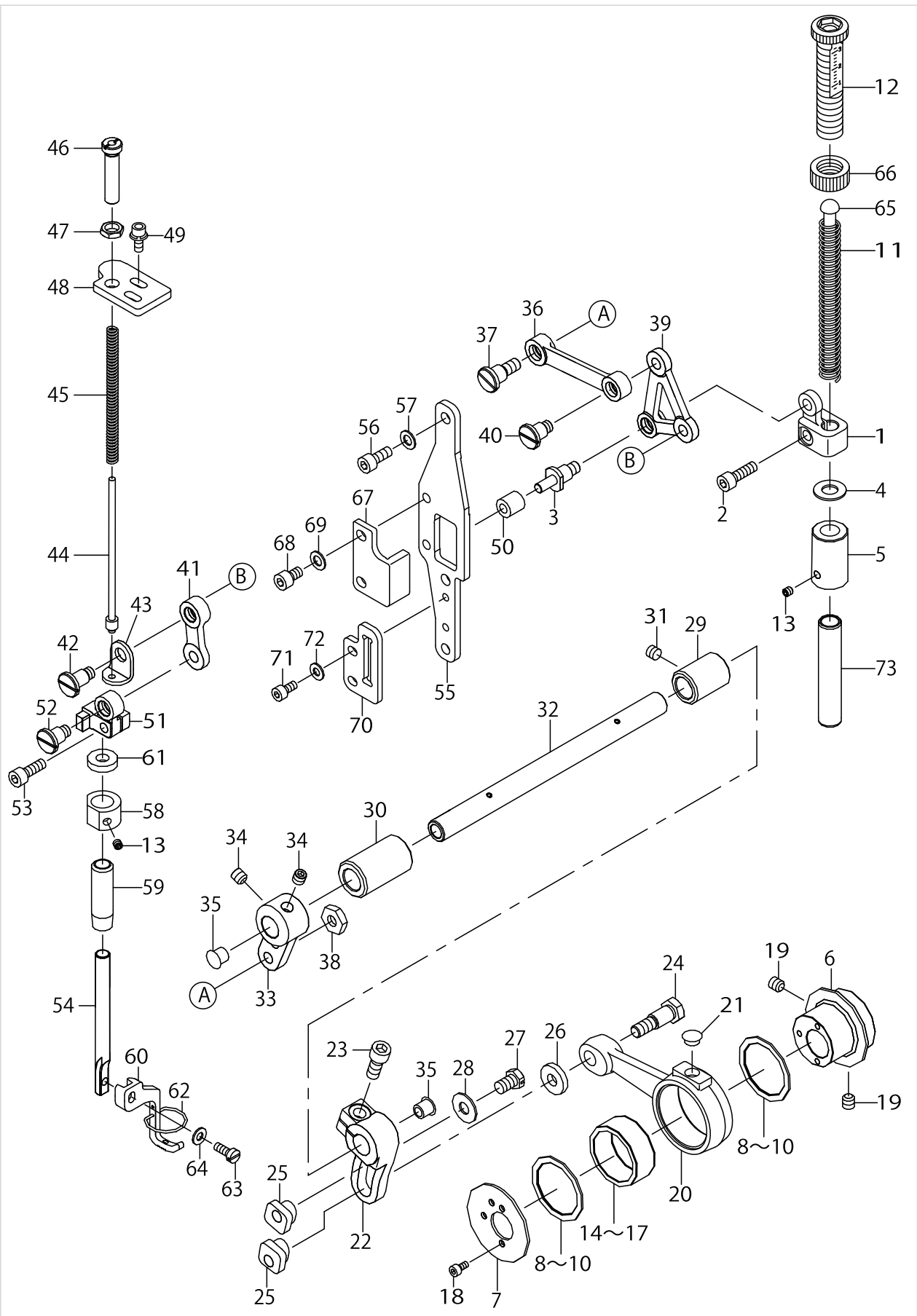
MAIN SHAFT & NEEDLE BAR COMPONENTS



MAIN SHAFT & NEEDLE BAR COMPONENTS

No.	Parts No.	Parts name	Remarks	Level	Cons	Qty
48	SS8110422TP	SCREW 11/64-40 L=4				2
49	SB120000900	BEARING				1
50	SL6052592TN	BOLT				4

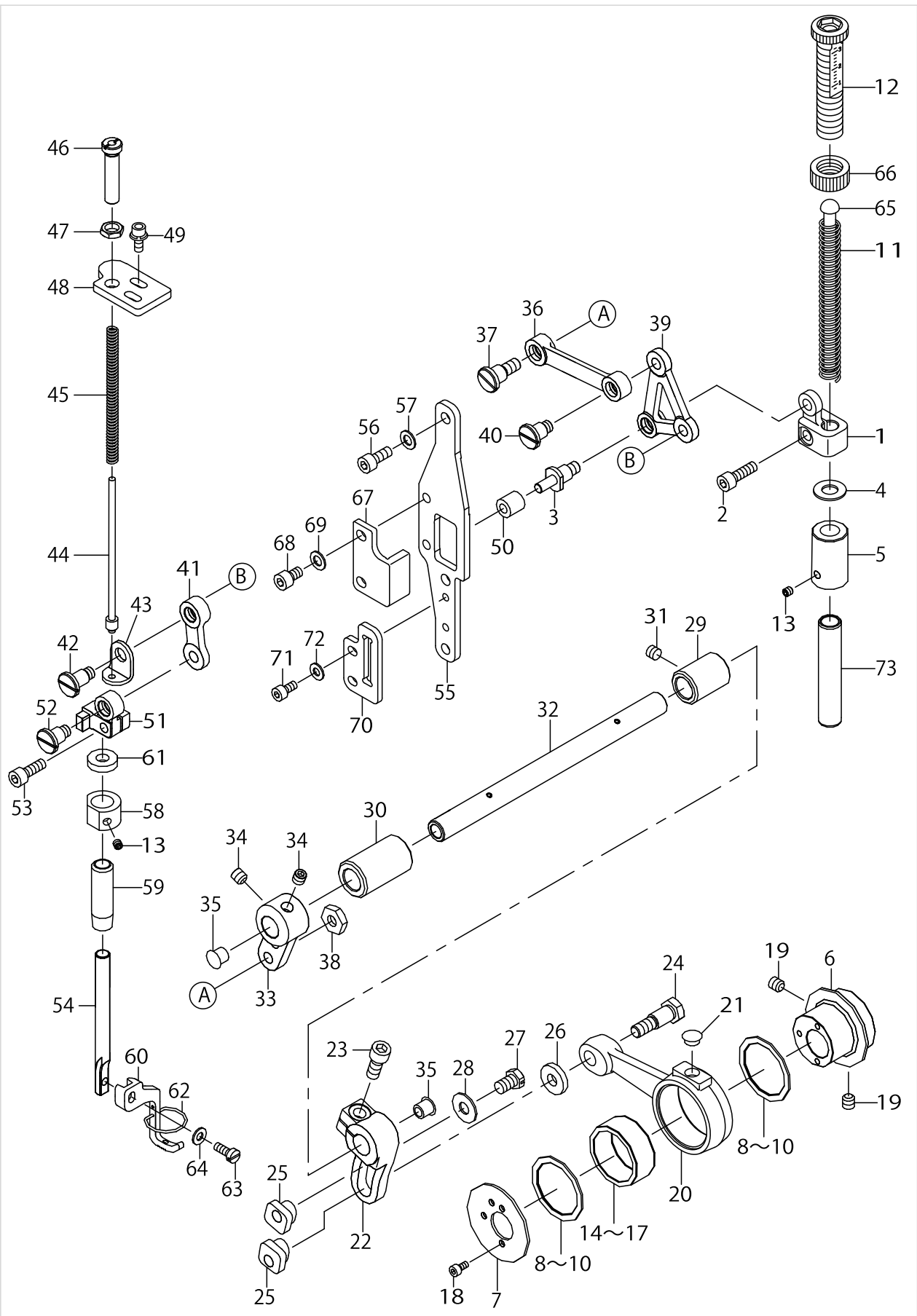
PRESSER COMPONENTS



PRESSER COMPONENTS

No.	Parts No.	Parts name	Remarks	Level	Cons	Qty
1	40012853	PRESSURE_BAR_HOLDER				1
2	SM6051602TP	SCREW M5X0.8 L=16				1
3	40012861	SHOLDER_SCREW				1
4	B1116804000	CLOTH PLATE WASHER				1
5	40012967	FEED_FOOT_STOPPER				1
6	40012963	FEED_DRIVE_ECCENTRIC_CAM				1
7	40012964	BEARING_PLATE				1
8	40012965	BEARING_SUPPORT_PLATE	SELECTIVE PARTS			2
9	40017794	BEARING_SUPPORT_PLATE_B	SELECTIVE PARTS			2
10	40017795	BEARING_SUPPORT_PLATE_C	SELECTIVE PARTS			2
11	22907406	PRESSER SPRING				1
12	23609209	PRESSER SPRING REGULATOR				1
13	SM8040412TP	SET SCREW M4 L=4				2
14	B1636581A00	NEEDLE BEARING	SELECTIVE PARTS			1
15	B1636581B00	NEEDLE BEARING B	SELECTIVE PARTS			1
16	B1636581C00	NEEDLE BEARING	SELECTIVE PARTS			1
17	B1636581D00	NEEDLE BEARING	SELECTIVE PARTS			1
18	SM6030602TP	SCREW M3X0.5 L=6				3
19	SM8060612TP	SCREW M6 L=6				2
20	40012962	CRANK_CONNECTING_ROD				1
21	TA0750404R0	PLUG D=7.5 L=3.5				1
22	40017593	UPPER_FEED_SPRING_ROD				1
23	SS6151412TP	SCREW 15/64-28 L=14				1
24	B3008141H00	HINGE SCREW				1
25	B3009141H0A	NUT				2
26	B3010141H00	WASHER				1
27	SS9661120CP	SCREW 1/4-40 L=10.5				1
28	WP0641601SC	WASHER				1
29	40012862	BUSHING_A				1
30	40012863	BUSHING_B				1
31	SM8060602TP	SCREW M6X6				1
32	40012840	FEED_DRIVING_SHAFT				1
33	40012842	DRIVING_SHAFT_HOLDER				1
34	SM8060612TP	SCREW M6 L=6				2
35	TA0750704R0	RUBBER PLUG				2
36	40017594	CONNECTING_LINK				1
37	SD0850756TH	SHOULDER SCREW				1
38	NM6060001SD	NUT M6				1
39	40017596	L_SHAPED_LINK				1
40	SD0800756TH	SHOULDER SCREW				1
41	40017598	CONNECTING_PLATE				1
42	SD0750946TH	SHOULDER SCREW				1
43	B3035141H00	RETAINING PLATE				1
44	B3034141H00	SPRING POLE				1
45	B3033141H00	SPRING				1
46	B3036141H00	ADJUSTING THUMB SCREW				1
47	NS6680320SP	NUT 9/32-28				1

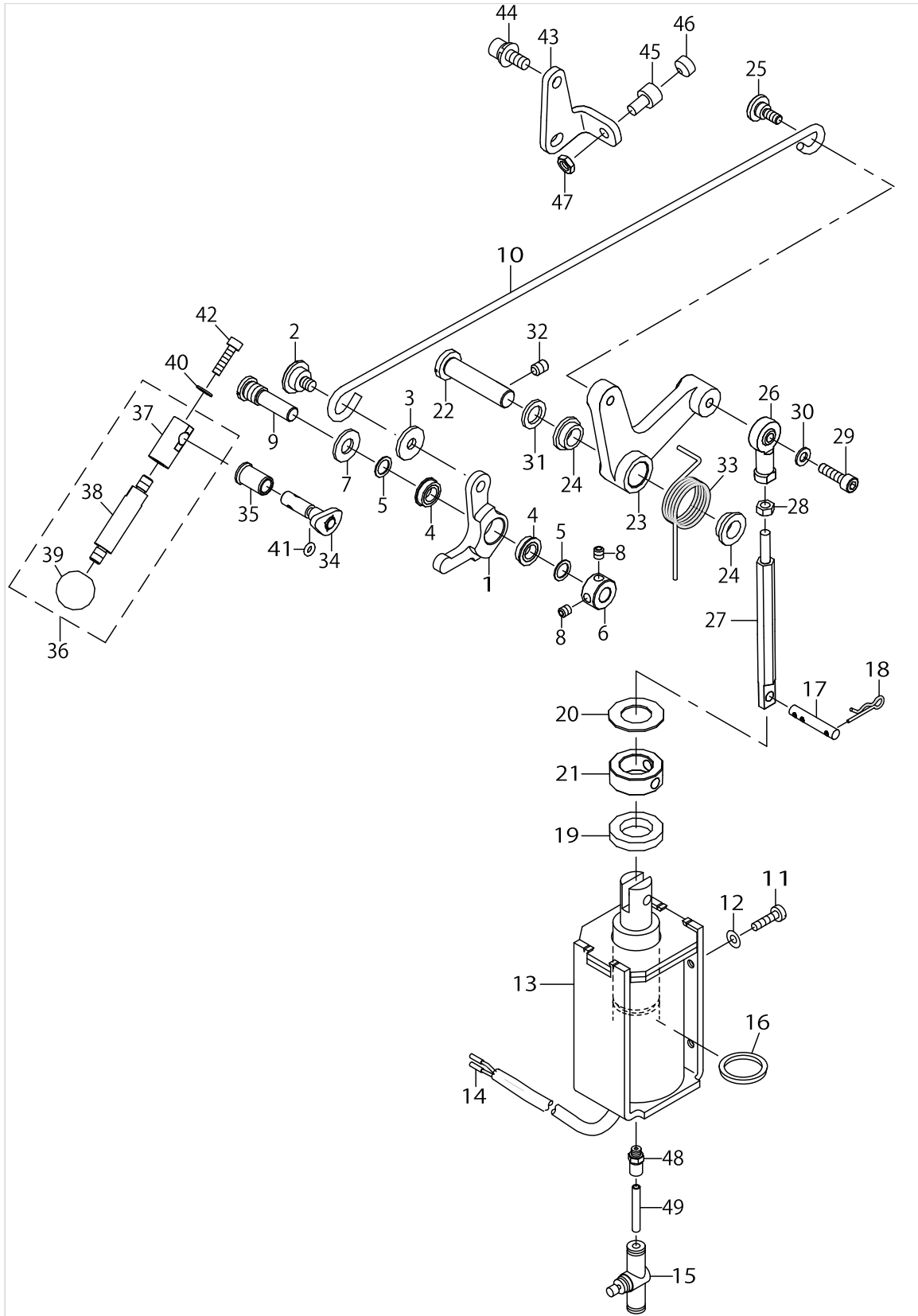
PRESSER COMPONENTS



PRESSER COMPONENTS

No.	Parts No.	Parts name	Remarks	Level	Cons	Qty
48	40012855	SPRING_BASE				1
49	SL6041092TN	SCREW				2
50	SB305000100	BEARING				1
51	40012865	PRESSURE_FOOT_SHAFT HOLDER				1
52	SD0800756TH	SHOULDER SCREW				1
53	SM6051402TP	SCREW M5X0.8 L=14				1
54	40012966	PRESSURE_FOOT_SHAFT				1
55	40012854	GUIDE_BASE_PLATE				1
56	SM6051202TP	SCREW M5X0.8 L=12				2
57	WP0550800SP	WASHER 5.5X10X0.8				2
58	40012864	PRESSURE_FOOT_STOPPER				1
59	23608706	NEEDLE BAR LOWER METAL D				1
60	40017600	PRESSURE_FOOT				1
61	11043304	SOLENOID RUBBER				1
62	40017601	FINGER_GUARD				1
63	SM6041000SP	SCREW M4 L=10				1
64	WP0430801SC	WASHER 4.3X9X0.8				1
65	23610306	PRESSER GUIDE BAR				1
66	22907604	PRESSER SPRING REGULATOR NUT				1
67	40012867	ROLLER_GUIDE				1
68	SM6050802TP	SCREW M5X0.8 L=8				2
69	WP0550800SP	WASHER 5.5X10X0.8				2
70	40017602	GUIDE_PLATE				1
71	SM6040802TP	SCREW M4X0.7 L=8				2
72	WP0430801SC	WASHER 4.3X9X0.8				2
73	23609001	BUSHING				1

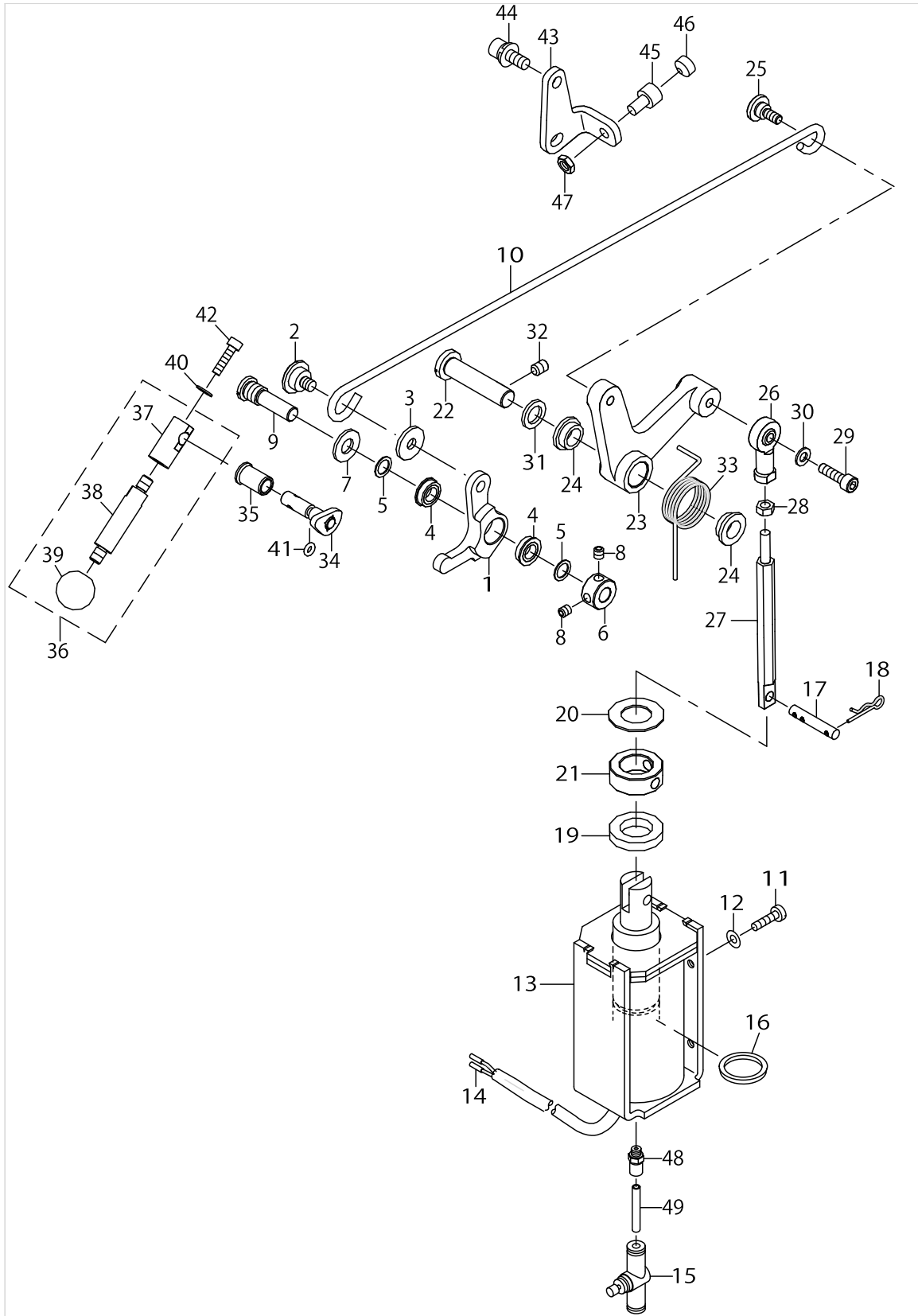
PRESSER LIFTER COMPONENTS



PRESSER LIFTER COMPONENTS

No.	Parts No.	Parts name	Remarks	Level	Cons	Qty
1	40012920	PRESSURE_LINK				1
2	40012919	PRESSURE_LINK_PIN				1
3	WP0612056SD	WASHER 6.1X18.5X2				1
4	SB108000700	BEARING				2
5	WP0820516SP	WASHER 11.6X8.2X0.6				2
6	CS0800971TP	THRUST COLLAR D=8 W=9				1
7	WP0850002SP	WASHER 8.5X18X1.6				1
8	SM8050502TP	SCREW M5 L=5				2
9	40017603	LINK_PIN_B				1
10	40012918	LIFTER_LINK_SHAFT				1
11	SS6111610SP	SCREW 11/64-40 L=16				4
12	WP0482086SD	WASHER 4.8X11.5X2				4
13	40017823	SOLENOID				1
14	HK034610020	2-POLE NYLON PLUG				1
15	PC022404000	THROTTLE VALVE				1
16	B1652210D00	GASKET				1
17	B1513210D00	MAGNET PIN				1
18	B1515210D00	PIN				2
19	D2468555B00	RUBBER PLUNGER				1
20	G5523880000	THRUST WASHER B				1
21	CS1701011SZ	THRUST COLLAR D=17 W=10				1
22	40012916	AK_LINK_PIN				1
23	40012915	AK_LINK				1
24	32009805	CONNECTING PLATE METAL				2
25	SD0800426TP	SHOULDER SCREW				1
26	G6505880000	ROD END B				1
27	40012917	LINK_BALL_SHAFT				1
28	NM6050001SC	NUT M5				1
29	SM6051802TP	SCREW M5 L=18				1
30	WP0531001SC	WASHER				1
31	10112704	THRUST WASHER 1.8				1
32	SM8060812TP	SCREW M6 L=8				1
33	40012682	SPRING				1
34	40012677	HAND LIFTER CAM COMPL.				1
35	10013019	NEEDLE BAR BUSHING, UPPER D=7.				1
36	40017759	PRESSURE_FOOT_LEVER_ASM.				1
37	40017604	HAND_LIFTER_SHAFT_BASE		*		1
38	40017605	HAND_LIFTER_SHAFT		*		1
39	40017606	BALL_KNOB		*		1
40	WP0430801SC	WASHER 4.3X9X0.8				1
41	RO037180100	RUBBER RING				1
42	SM6041602TP	SCREW M4X0.7 L=16				1
43	40012673	STOPPER_PLATE				1
44	SL6061692TN	BOLT				2
45	B1453761000	SWING ARM STOPPER				1
46	B1432761000	SWING ARM STOPPER RUBBER				1
47	NS6150430SP	NUT 15/64-28				1

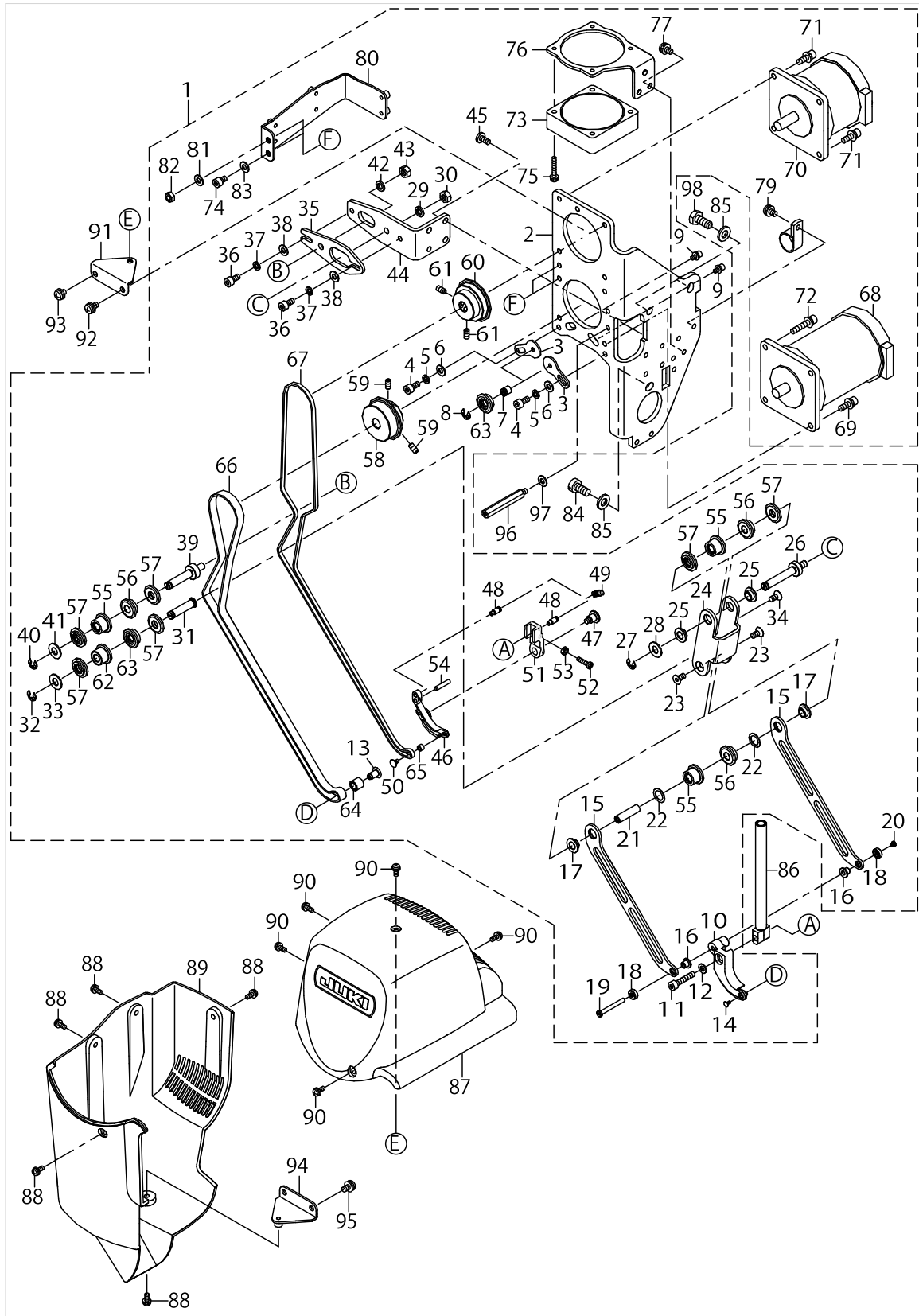
PRESSER LIFTER COMPONENTS



PRESSER LIFTER COMPONENTS

No.	Parts No.	Parts name	Remarks	Level	Cons	Qty
48	PJ032052503	HOSE NIPPLE				1
49	BT0400251AB	TUBE HOSE				0.03

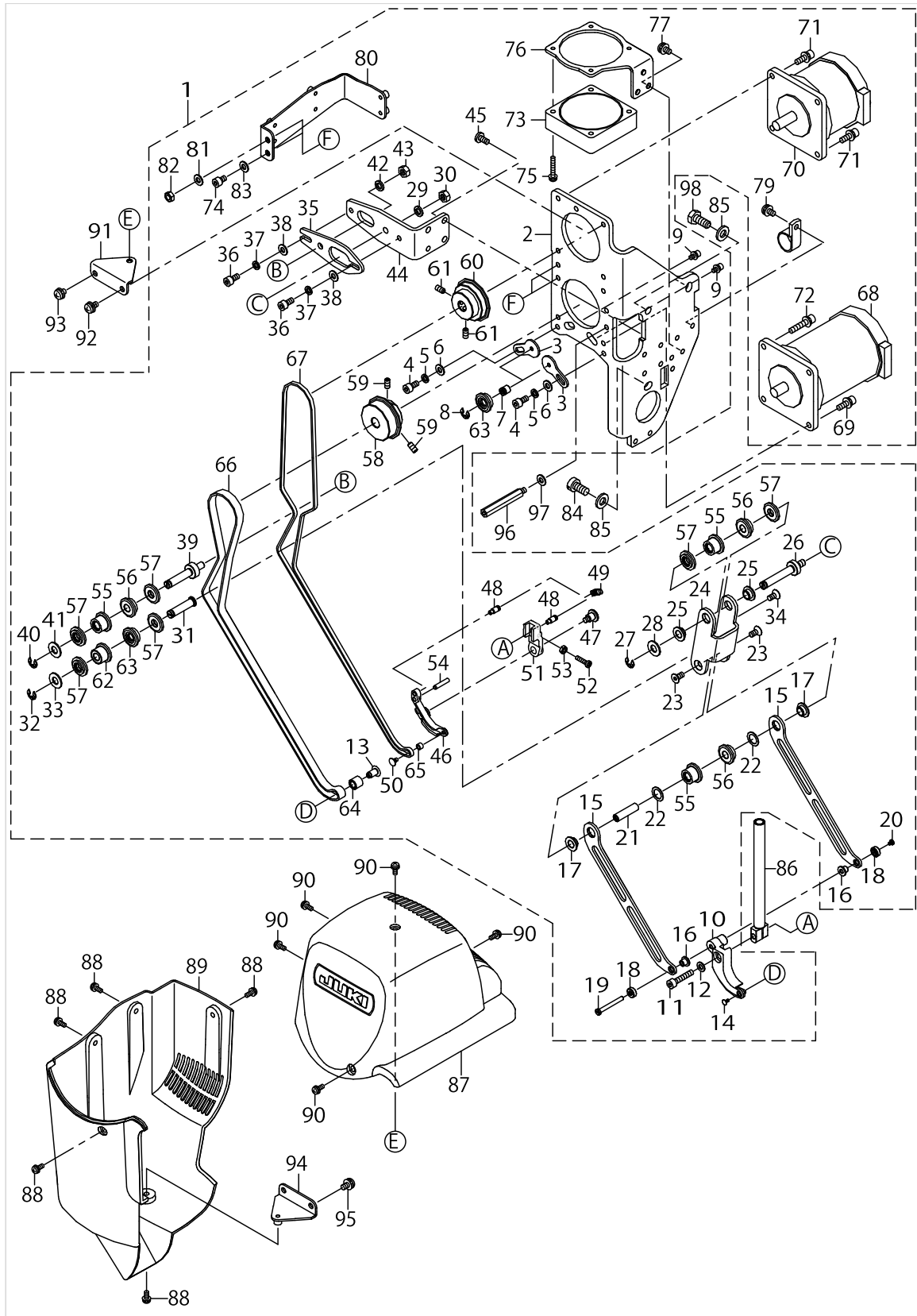
UPPER FEED MECHANISM COMPONENTS



UPPER FEED MECHANISM COMPONENTS

No.	Parts No.	Parts name	Remarks	Level	Cons	Qty
1	40017760	UPPER_FEED_BASE_ASM.				1
2	40016871	UPPER_FEED_BASE		*		1
3	40016872	TENSION_ADJUSTING_PLATE_S		*		2
4	SM6040802TN	SCREW		*		2
5	WS0410002KN	SPRING WASHER		*		2
6	WP0430801SC	WASHER 4.3X9X0.8		*		2
7	40016873	TENSION_PULLEY_SHAFT_S		*		2
8	RE0400000KP	E-RING 4		*		2
9	SL6030642TN	SCREW M3 L=6		*		2
10	40016874	FEED_FOOT		*		1
11	SM6042002TN	BOLT		*		1
12	WP0430800SC	WASHER M4		*		1
13	40016875	FEED_FOOT_PULLEY_SHAFT		*		1
14	SM0020401SC	SCREW M2 L=4		*		1
15	40016876	CONECTING_LINK		*		2
16	40016877	CONECTING_LINK_BUSH_S		*		2
17	40016878	CONECTING_LINK_BUSH_L		*		2
18	40016879	CONECTING_LINK_SPACER		*		2
19	40016880	CONECTING_LINK_SHAFT_S		*		1
20	SM6020350SP	SCREW M2 L=2.5		*		1
21	40016881	CONECTING_LINK_SHAFT_L		*		1
22	E2613700000	WASHER		*		2
23	SM1040852TP	DISH SCREW		*		2
24	40016882	ROCKER_ARM		*		1
25	40016878	CONECTING_LINK_BUSH_L		*		2
26	40016883	ROCKER_ARM_SHAFT_L		*		1
27	RE0400000KP	E-RING 4		*		1
28	WP0621016SD	WASHER 6.2X13X1		*		1
29	WS0510002KN	SPRING WASHER		*		1
30	NM6050001SC	NUT M5		*		1
31	40016884	ROCKER_ARM_SHAFT_S		*		1
32	RE0400000KP	E-RING 4		*	☆	1
33	WP0621016SD	WASHER 6.2X13X1		*		1
34	SM1040852TP	DISH SCREW		*		1
35	40016885	TENSION_ADJUSTING_PLATE_L		*		1
36	SM6040802TN	SCREW		*		2
37	WS0410002KN	SPRING WASHER		*		2
38	WP0430801SC	WASHER 4.3X9X0.8		*		2
39	40016886	TENSION_PULLEY_SHAFT_L		*		1
40	RE0400000KP	E-RING 4		*		1
41	WP0621016SD	WASHER 6.2X13X1		*		1
42	WS0510002KN	SPRING WASHER		*		1
43	NM6050001SC	NUT M5		*		1
44	40016887	ROCKER_ARM_BASE		*		1
45	SM5040855SN	SCREW		*		4
46	40016888	SUB_FEED_FOOT		*		1
47	40017831	SUB_FEED_FOOT_SHOULDER_SCREW		*		1

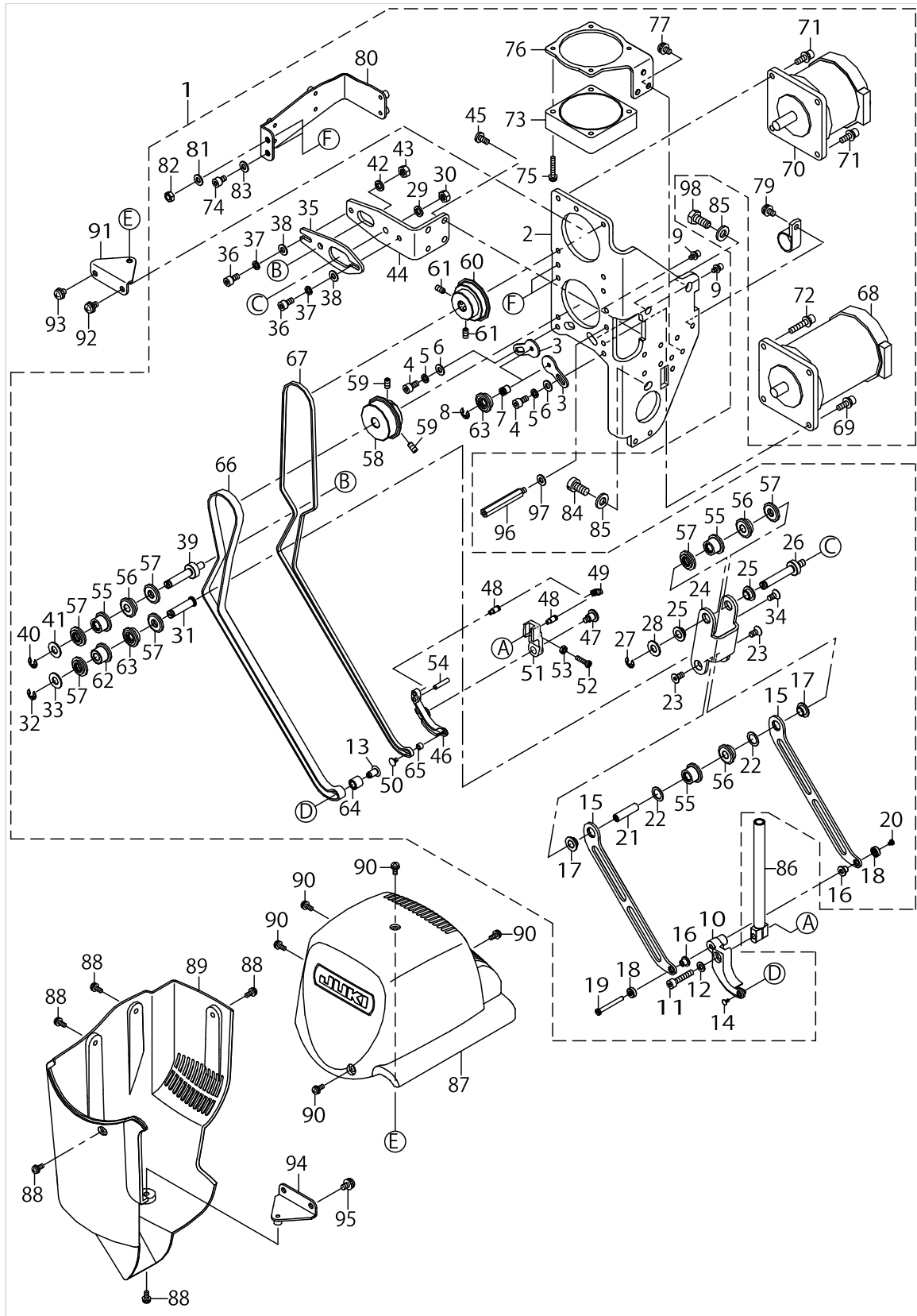
UPPER FEED MECHANISM COMPONENTS



UPPER FEED MECHANISM COMPONENTS

No.	Parts No.	Parts name	Remarks	Level	Cons	Qty
48	40017832	SUB_FEED_FOOT_SPRING_HOOK		*		2
49	B3417180000	SPRING		*		1
50	40035301	SUB_FEED_FOOT_PULLEY_SHAFT		*		1
51	40016890	SUB_FEED_BRACKET		*		1
52	SM4031201SN	SCREW M3 X 12		*		1
53	NM6030002SN	NUT M3X0.5		*		1
54	40065512	PIN		*		1
55	40016891	IDLER_PULLEY_F7		*		3
56	40016892	IDLER_PULLEY_F3		*		3
57	40016893	FLANGE_3		*		6
58	40016894	DRIVING_PULLEY_P50_F9		*		1
59	SM8040802TP	SCREW M4X8		*		2
60	40016895	DRIVING_PULLEY_P50_F5		*		1
61	SM8040802TP	SCREW M4X8		*		2
62	40016896	IDLER_PULLEY_P20_F7		*		1
63	40016897	IDLER_PULLEY_P20_F3		*		3
64	40016898	FEED_FOOT_PULLEY		*		1
65	40036120	SUB_FEED_FOOT_PULLEY		*		1
66	40016900	TIMING_BELT_6.7		*	☆	1
67	40016901	TIMING_BELT_2.7		*	☆	1
68	KM000000350	PULSE MOTOR		*		1
69	SL6041292TN	SCREW		*		3
70	HM001940000	STEPPING MOTOR		*		1
71	SL6041292TN	SCREW		*		3
72	SL6042092TN	SCREW M4 L=20		*		1
73	40019398	HEAD FAN MOTOR B ASSY		*		1
74	SM6040602TP	SCREW M4 L=6		*		1
75	SL4032081SC	SCREW M3 L=20		*		4
76	40019593	FAN PLATE		*		1
77	SL4040891SC	SCREW M4 L=8		*		2
78	HX00150000H	CABLE CLIP		*		1
79	SL4040891SC	SCREW M4 L=8		*		1
80	40016905	COVER_PLATE_A		*		1
81	WP0430801SC	WASHER 4.3X9X0.8		*		1
82	NM6040001SC	NUT M4		*		1
83	WP0430801SC	WASHER 4.3X9X0.8		*		1
84	SM6061200SP	SCREW		*		1
85	WP0641601SC	WASHER		*		3
86	40016713	FEED_FOOT_BAR		*		1
87	40016903	COVER_A		*		1
88	SL4030891SC	SCREW M3X8		*		5
89	40016904	COVER_B		*		1
90	SL4030891SC	SCREW M3X8		*		5
91	40016906	COVER_PLATE_B		*		1
92	SL4040891SC	SCREW M4 L=8		*		1
93	SL4040691SC	SCREW M4 L=6		*		1
94	40019605	COVER PLATE C		*		1

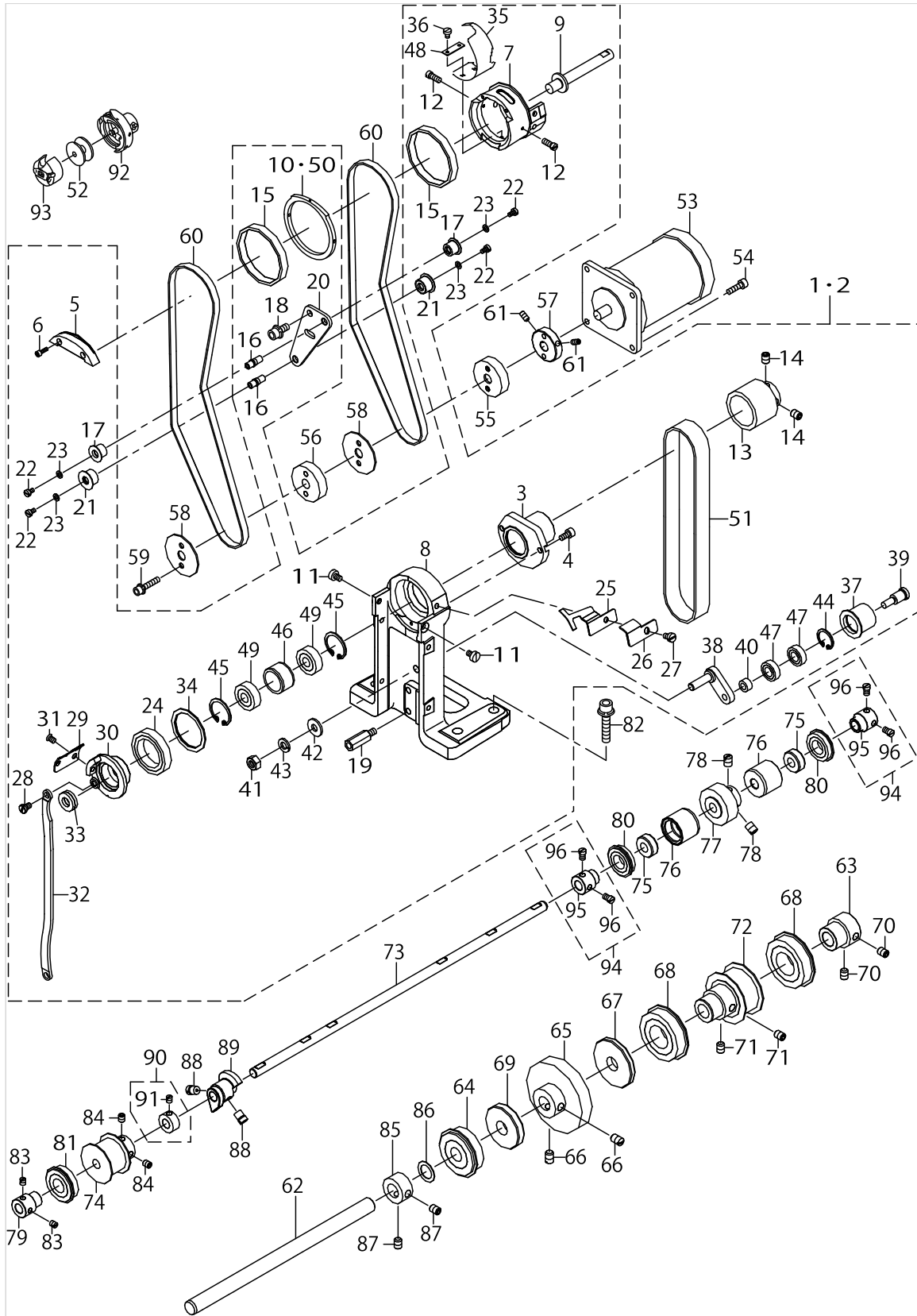
UPPER FEED MECHANISM COMPONENTS



UPPER FEED MECHANISM COMPONENTS

No.	Parts No.	Parts name	Remarks	Level	Cons	Qty
95	SL4040891SC	SCREW M4 L=8				2
96	40019594	COVER_STUD				2
97	WP0430801SC	WASHER 4.3X9X0.8				2
98	SM9061403SE	SCREW M6 L=14				2

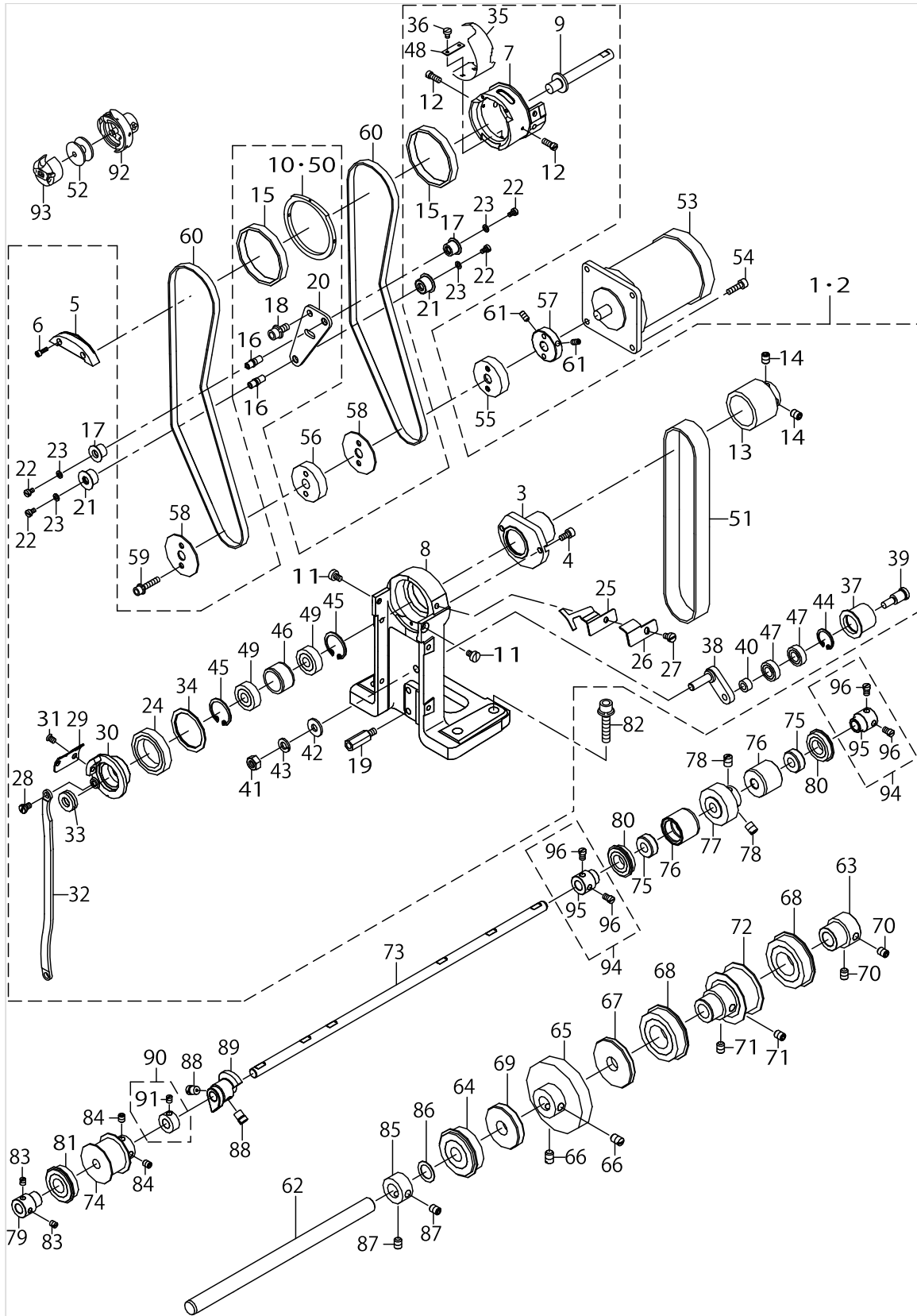
LOWER FEED MECHANISM & HOOK SHAFT & LOWER SHAFT COMPONENTS



LOWER FEED MECHANISM & HOOK SHAFT & LOWER SHAFT COMPONENTS

No.	Parts No.	Parts name	Remarks	Level	Cons	Qty
1	40017755	HOOK_SHAFT_BASE_ASM.	EXCEPT CA			1
2	40046684	HOOK_SHAFT_BASE_ASM.	FOR CA			1
3	40012938	BEARING_HOUSING		*		1
4	SM6040802TN	SCREW		*		2
5	40012931	BOBBIN_CASE HOLDER		*		1
6	SM6850802TN	SCREW M2.5 L=8		*		2
7	40012939	HOOK_HOUSING		*		1
8	40012936	HOOK_SHAFT_BASE		*		1
9	40012932	HOOK_SHAFT		*		1
10	40012940	NEEDLE_HOLE_GUIDE	FOR CA	*		1
11	SM6040650TP	SCREW		*		2
12	40012709	SCREW		*	☆	2
13	40012935	UPPER_SPROCKET		*		1
14	SM8060612TP	SCREW M6 L=6		*		2
15	40012951	BELT_ROLLER		*		2
16	40012956	PULLEY_SHAFT		*		2
17	40012957	LOWER_FEED_BELT_ROLLER		*		2
18	SL6051292TN	BOLT		*		2
19	40012961	TENSION_PLATE_SCREW		*		2
20	40012955	LOWER_FEED_TENSION_PLATE		*		1
21	40012959	LOWER_FEED_IDLER_PULLEY		*		2
22	SM6030510SC	SCREW M3X0.5 L=5		*		4
23	WP0320500SC	WASHER M3		*		4
24	SB125000300	BEARING		*		1
25	40012685	COUNTER_KNIFE		*	☆	1
26	40012686	KNIFE_MOUNTING_PLATE		*	☆	1
27	SM6040600SP	SCREW M4 L=6		*		1
28	SD0500205TH	SHOULDER SCREW		*		1
29	40017611	MOVING_KNIFE		*	☆	1
30	40012922	MOVING_KNIFE_BASE		*		1
31	SM1040652TP	SCREW		*		2
32	40012926	MOVING_KNIFE_LINK		*		1
33	SB408000200	BEARING		*		1
34	40012923	BEARING_WASHER		*		1
35	40043341	COUNTER_KNIFE_GUARD		*		1
36	SM6020350SP	SCREW M2 L=2.5		*		2
37	40017619	TENSION_ROLLER		*		1
38	40012937	TENSION_PLATE_ASM.		*		1
39	SD0801007TP	SHOULDER SCREW		*		1
40	13522206	COLLAR		*		1
41	NM6060001SC	NUT M6		*		1
42	WP0611626SP	WASHER 15X6X1.6		*		1
43	WS0610002KP	SPRING WASHER		*		1
44	RC1600002KP	RETAINING RING		*		1
45	RC2200002KP	RETAINING RING		*		2
46	40017610	INNER_ROLLER		*		1
47	SB108000100	BEARING		*		2

LOWER FEED MECHANISM & HOOK SHAFT & LOWER SHAFT COMPONENTS



LOWER FEED MECHANISM & HOOK SHAFT & LOWER SHAFT COMPONENTS

No.	Parts No.	Parts name	Remarks	Level	Cons	Qty
48	40043705	COUNTER_KNIFE_GUARD_WASHER		*		1
49	SB108000400	BUSHING		*		2
50	40041854	NEEDLE_HOLE_GUIDE	EXCEPT CA	*		1
51	40017609	TIMING_BELT		*		1
52	B9117552A00	BOBBIN			☆	1
53	KM000000350	PULSE MOTOR				1
54	SM6041402TP	SCREW M4 L=14				3
55	40012952	LOWER_FEED_SPROCKET_A				1
56	40012953	LOWER_FEED_SPROCKET_B				1
57	40017607	PULLEY_CONNECTER				1
58	40012954	SPROCKET_WASHER				2
59	SL6042092TN	SCREW M4 L=20				2
60	40017608	TIMING_BELT			☆	2
61	SM8040802TP	SCREW M4X8				2
62	40012690	SPROCKET_SHAFT				1
63	40012700	BEARING_SUPPORT				1
64	B3406180000	PULLEY BEARING				1
65	23620503	GEAR,LARGE				1
66	SS8661030SP	SCREW 1/4-40 L=10				2
67	23618804	OIL SEAL				1
68	SB120001000	BEARING				2
69	23618705	OIL SEAL				1
70	SM8060812TP	SCREW M6 L=8				2
71	SM8060812TP	SCREW M6 L=8				2
72	40012692	LOWER_SPROCKET				1
73	40012705	LOWER_SHAFT				1
74	40012934	LOWER_SPROCKET				1
75	22890008	HOOK DRIVING SHAFT OIL SEAL				2
76	23620404	HOOK SHAFT REAR METAL				2
77	23620750	GEAR,SMALL(A)				1
78	SS8660810TP	SCREW 1/4-40 L=8				2
79	23620305	BEARING_SUPPORT				1
80	SB112000600	BEARING				2
81	SB112000700	BEARING				1
82	SL6063092TN	SCREW M6 L=30				4
83	SS8110520TP	SCREW 11/64-40 L= 4.5				2
84	SM8050612TP	SCREW M5X6				2
85	CS1201171TP	THRUST COLLAR D=12 W=11				1
86	E2067715000	BU SPACER X 0.5				1
87	SM8060812TP	SCREW M6 L=8				2
88	SS6660610TP	SCREW 1/4-40 L=6				2
89	11353604	THREAD TRIMMER CAM				1
90	22950950	CAM COLLAR ASM.				1
91	SS8110520TP	SCREW 11/64-40 L= 4.5		*		1
92	22890305	RP HOOK S			☆	1
93	40017616	BOBBIN_CASE_ASM.			☆	1
94	40044877	HOOK SHAFT BEARING SUPPORT ASM				2

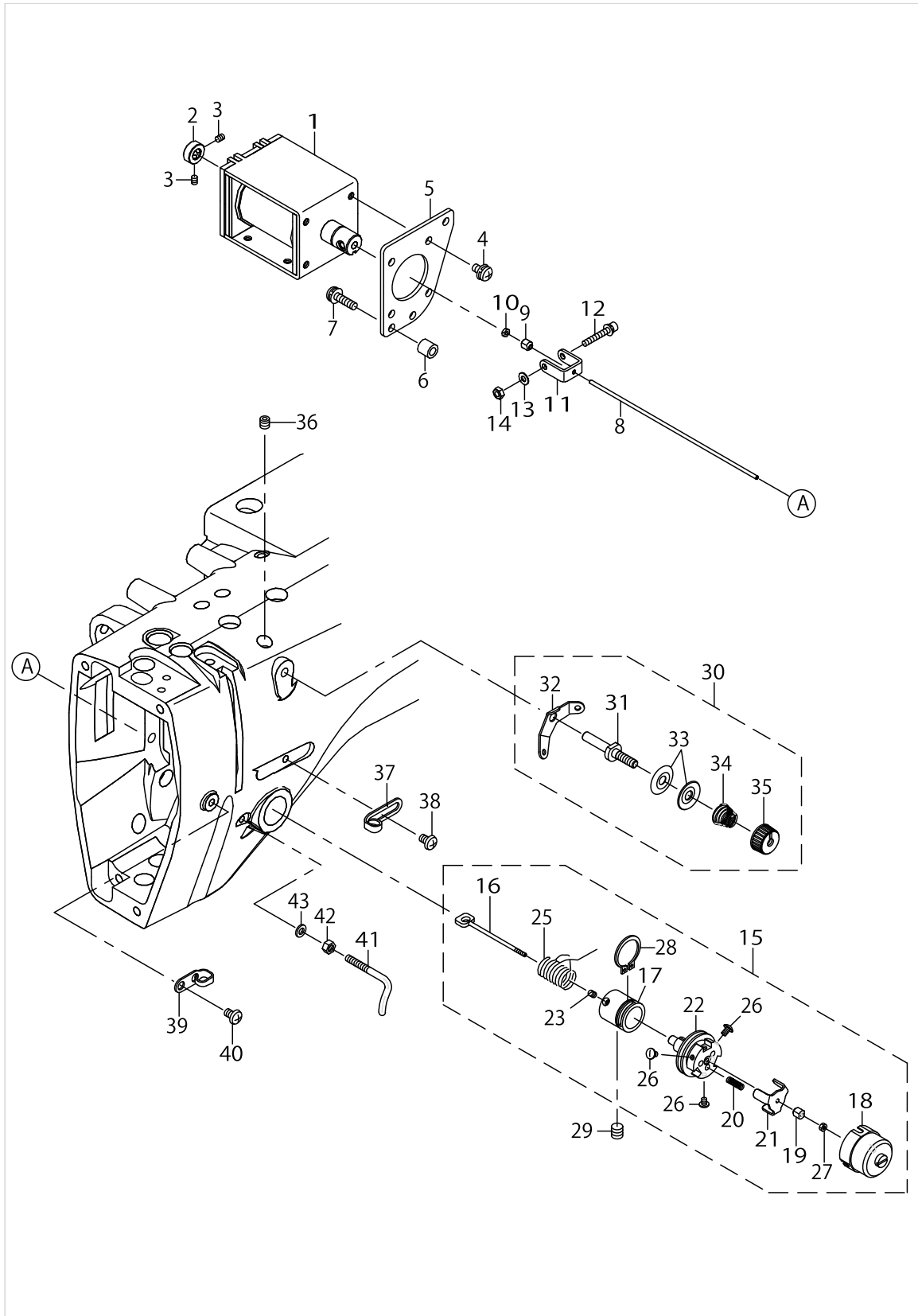
LOWER FEED MECHANISM & HOOK SHAFT & LOWER SHAFT COMPONENTS

No.	Parts No.	Parts name	Remarks	Level	Cons	Qty
95	23620305	BEARING_SUPPORT		*		1
96	SS6110650TP	SCREW 11/64-40 L=5.5		*		2

THREAD TRIMMER MECHANISM COMPONENTS

No.	Parts No.	Parts name	Remarks	Level	Cons	Qty
1	SD0500256TH	SHOULDER SCREW				1
2	40012927	KNIFE_DRIVING_SHAFT				1
3	40012928	CLUTCH_PLATE_COMPL.				1
4	40012687	KNIFE_DRIVING				1
5	40017615	SCREW				1
6	11352408	BASE PLATE				1
7	SM6061200SP	SCREW				2
8	RE0600000K0	E-RING 6				2
9	NS6110310SP	NUT 11/64-40				1
10	11352606	SLIDE ARM				1
11	11354404	DRIVING ROLLER				1
12	D2588L8WB00	ROLLER SHAFT				1
13	B1453771000	STOPPER				1
14	B1432761000	SWING ARM STOPPER RUBBER				1
15	11352507	KNIFE DRIVING ARM				1
16	WP0531001SC	WASHER				1
17	11353406	SPRING				1
18	SS8660610TP	SCREW 1/4-40 L=6				2
19	NS6150430SP	NUT 15/64-28				1
20	SD0640325SP	HINGE SCREW				1
21	NS6120310SP	NUT 3/16-28				1
22	11352705	SCREW PIN, A				1
23	40017612	SOLENOID_UNIT				1
24	40133275	THREAD_TRIMMER_SOLENOID		*		1
25	WP0430800SC	WASHER M4		*		1
26	NM6040000SN	NUT M4		*		1
27	11043304	SOLENOID RUBBER		*		1
28	NS6660410SH	NUT		*		1
29	NS6660430SP	NUT 1/4-40		*		1
30	22951404	SOLENOID BASE		*		1
31	23624554	DRIVING BLOCK ASM.		*		1
32	23624505	DRIVING BLOCK		*		1
33	SS7110740TP	SCREW 11/64-40 L=7		*		1
34	HK03464000B	PIN CONTACT		*		2
35	SM6061200SP	SCREW				2
36	40012930	SOLENOID_SPRING_PLATE				1
37	40017675	SPRING				1
38	10523702	WASHER				1
39	SM6050802TP	SCREW M5X0.8 L=8				1
40	WP0531001SC	WASHER				1
41	NM6050001SC	NUT M5				1

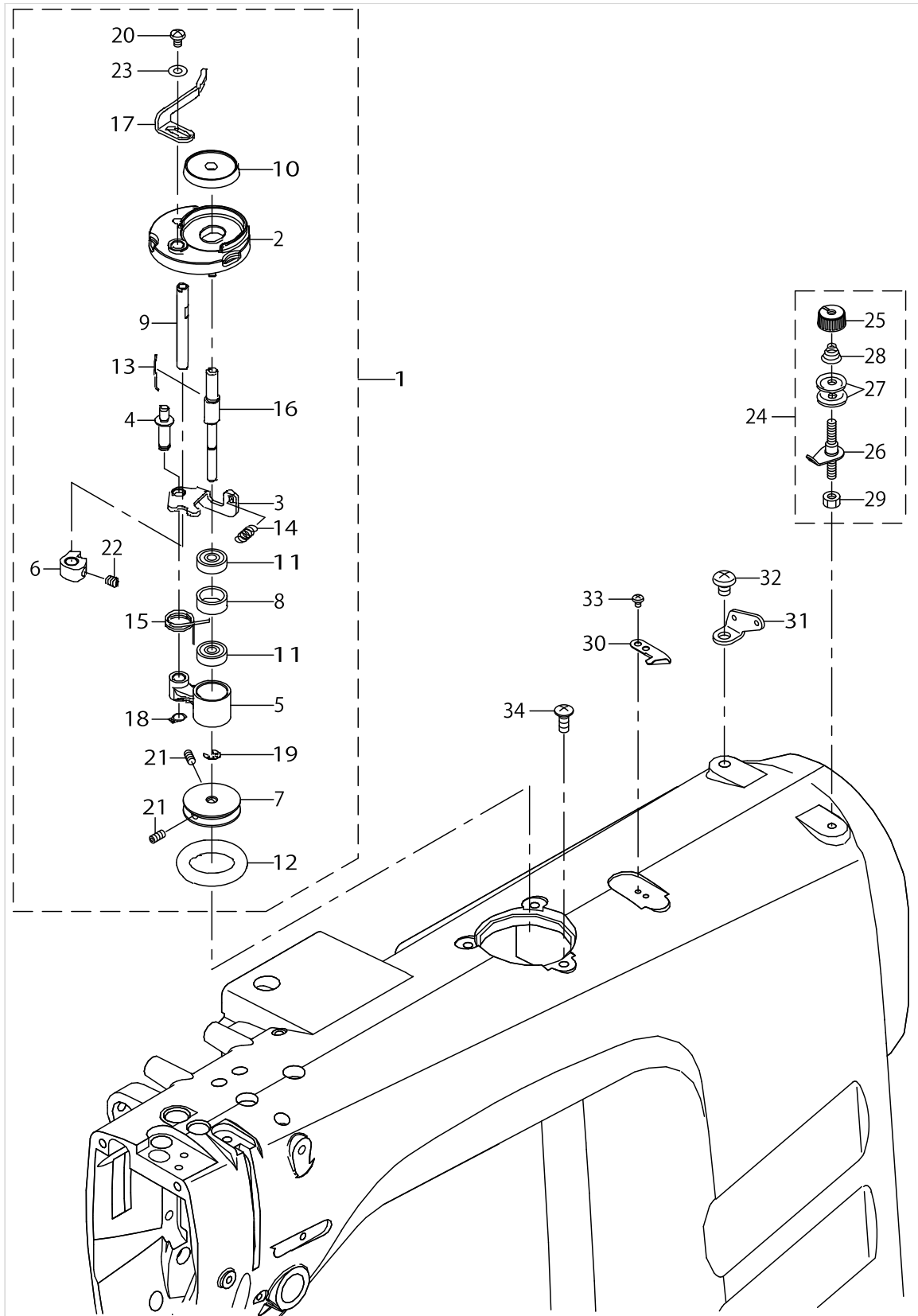
THREAD TENSION COMPONENTS



THREAD TENSION COMPONENTS

No.	Parts No.	Parts name	Remarks	Level	Cons	Qty
1	40016908	AT_SOLENOID				1
2	40010477	AT_SOL_COLLAR				1
3	SM8030412TP	SCREW				2
4	SL4040891SC	SCREW M4 L=8				4
5	40016909	SOLENOID_PLATE				1
6	11110707	WIPER HINGE SCREW COLLAR				3
7	SL4041691SC	SCREW M4 L=16				3
8	40016910	THREAD_TENSION_SHAFT				1
9	40010512	THREAD_TENSION_SHAFT_COLLAR				1
10	NM6020001SC	NUT M2				2
11	40016911	THREAD_TENSION_SHAFT HOLDER				1
12	SL6032092TN	BOLT				1
13	WP0320501SC	WASHER M3				1
14	NM6030001SC	NUT M3				1
15	40010508	THREAD_TENSION_2_ASM.				1
16	40010509	THREAD_TENSION_SHAFT		*		1
17	40010510	THREAD_TENSION_POST_BASE		*		1
18	40010511	DISK_STOPPER HOLDER_CAP		*		1
19	40010512	THREAD_TENSION_SHAFT_COLLAR		*		1
20	40010513	DISK_STOPPER_SP		*		3
21	40010514	DISK_STOPPER		*		1
22	40010515	ASSY_THREAD_TENSION_POST		*		1
23	40011359	POST_BASE_SCREW		*		1
24	40010478	AT_SOL_COLLAR_SCREW		*		1
25	22921605	THREAD TAKE-UP SPRING		*	☆	1
26	40010521	HOLD_CAP_SCREW		*		3
27	40010522	SHAFT_NUT		*		1
28	40010523	POST_BASE_C_RING		*		1
29	SM8050552TP	SCREW				1
30	22945463	THREAD TENSION ASM. ,NO.1				1
31	22945414	THREAD TENSION POST		*		1
32	22945604	THREAD TENSION GUIDE		*		1
33	22945802	THREAD TENSION DISK		*		2
34	22945505	THREAD TENSION SPRING		*		1
35	22945703	THREAD TENSION NUT		*		1
36	SM8050552TP	SCREW				1
37	23626104	ARM THREAD GUIDE A				1
38	SM5040655SN	SCREW				1
39	22920607	ARM THREAD GUIDE B				1
40	SM5040655SN	SCREW				1
41	11305513	ARM THREAD GUIDE, C				1
42	11404308	NUT				1
43	WP0371026SD	WASHER 3.7X7X1				1

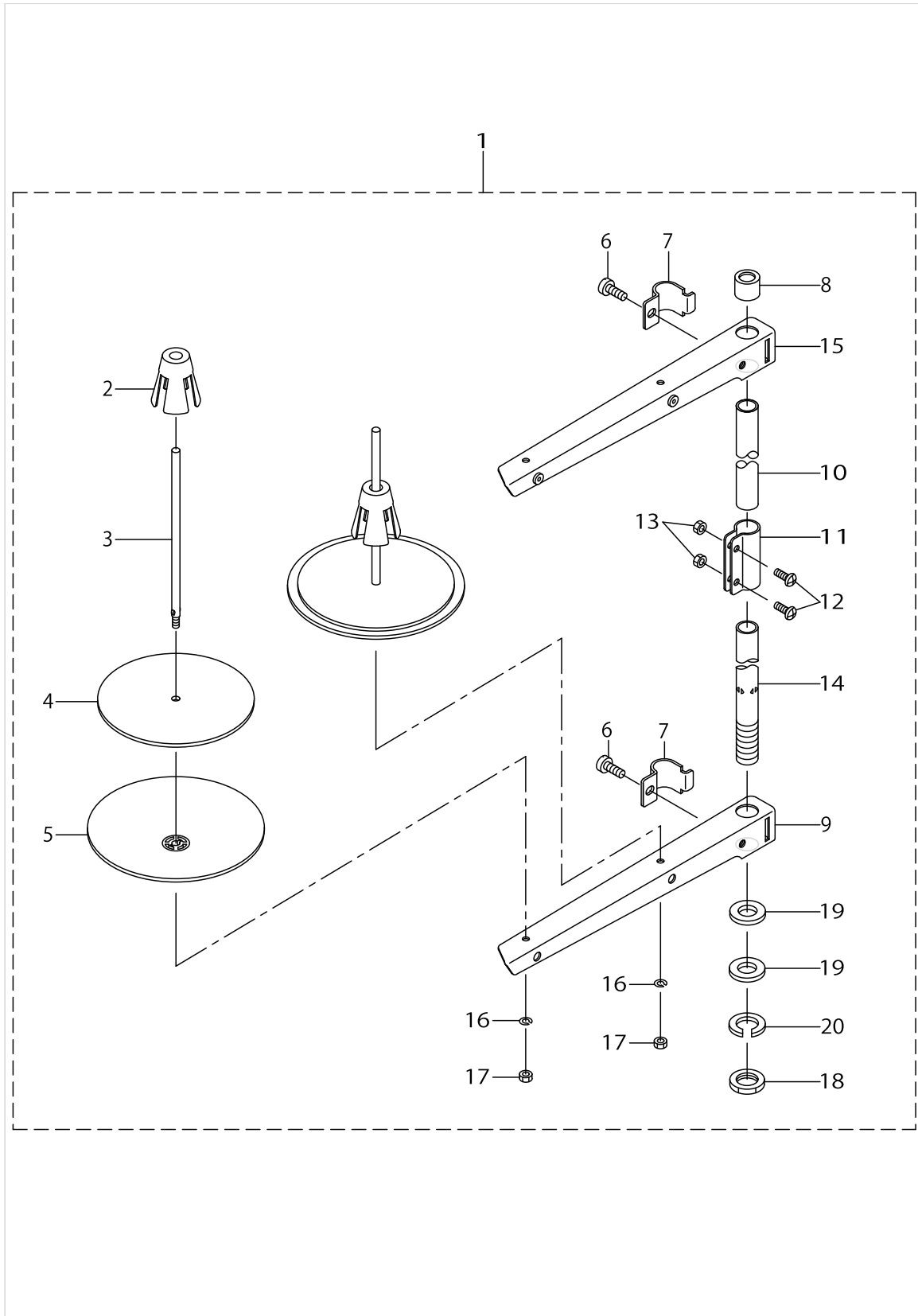
BOBBIN WINDER COMPONENTS



BOBBIN WINDER COMPONENTS

No.	Parts No.	Parts name	Remarks	Level	Cons	Qty
1	40023021	BOBBIN WINDER UNIT				1
2	26260109	BTW_BASE		*		1
3	26260208	BTW_CAM_PLATE		*		1
4	26260307	BTW_BASE_SHAFT		*		1
5	26260406	BTW_SHAFT_BASE		*		1
6	26260505	BTW_CAM_LEVER		*		1
7	26260604	BTW_WHEEL		*		1
8	26260802	BTW_BEARING_SPACER		*		1
9	26261008	BTW_LEVER_SHAFT		*		1
10	26261206	BTW_SPACER		*		1
11	26261305	BTW_BEARING		*		2
12	26261503	BTW_WHEEL_RUBBER		*		1
13	26261602	BOBBIN_SPRING		*		1
14	26261701	BTW_SPRING		*		1
15	40011144	BTW_TORSION_SPRING		*		1
16	40014837	BTW_SHAFT		*		1
17	40023022	BTW LEVER		*		1
18	RC0560711KP	RETAINING RING		*		1
19	RE0400000K0	E-RING 4		*		1
20	SM5040655SN	SCREW		*		1
21	SM8040802TP	SCREW M4X8		*		2
22	SM8050502TP	SCREW M5 L=5		*		1
23	WP0450826SC	WASHER 4.5X10X0.8		*		1
24	23636657	BOBBIN THREAD TENSION ASM.				1
25	11072402	THREAD TENSION NUT		*		1
26	14113450	BOBBIN THREAD TENSION ROD ASM.		*		1
27	B3126012000	THREAD TENSION DISK		*		2
28	D7133555B00	CONNECTING ROD SPRING		*		1
29	NS6110530SP	NUT 11/64-40		*		1
30	10502300	THREAD CUTTER				1
31	13706700	THREAD GUIDE, NO.1				1
32	SM4060801SE	SCREW				1
33	SM4030401SC	SCREW M3X0.5 L=4				2
34	SM0051201SC	SCREW				3

THREAD STAND COMPONENTS



THREAD STAND COMPONENTS

No.	Parts No.	Parts name	Remarks	Level	Cons	Qty
1	22930358	THREAD STAND ASM.				1
2	22931109	SPOOL RETAINER		*		2
3	22931000	SPOOL PIN		*		2
4	22930903	SPOOL REST CUSHION		*		2
5	22930804	SPOOL REST		*		2
6	SM6061610SC	SCREW M6 L=16		*		2
7	22930705	THREAD GUIDE ARM JOINT		*		2
8	22931406	SPOOL REST ROD RUBBER CAP		*		1
9	22930507	SPOOL REST ARM		*		1
10	22930408	SPOOL REST ROD, UPPER		*		1
11	22931307	SPOOL REST ROD JOINT		*		1
12	SM4051405SE	SCREW M5 L=14		*		2
13	NM6050001SE	NUT M5		*		2
14	22930309	SPOOL REST ROD, LOWER		*		1
15	22930556	THREAD STANDING ARM ASM.		*		1
16	WS0510002KN	SPRING WASHER		*		2
17	NM6050001SE	NUT M5		*		2
18	NM6160511SE	NUT M16X1.5		*		1
19	WP1612616SE	WASHER 16X30X2.6		*		2
20	WS1643202KR	SPRING WASHER		*		1

TABLE STAND COMPONENTS

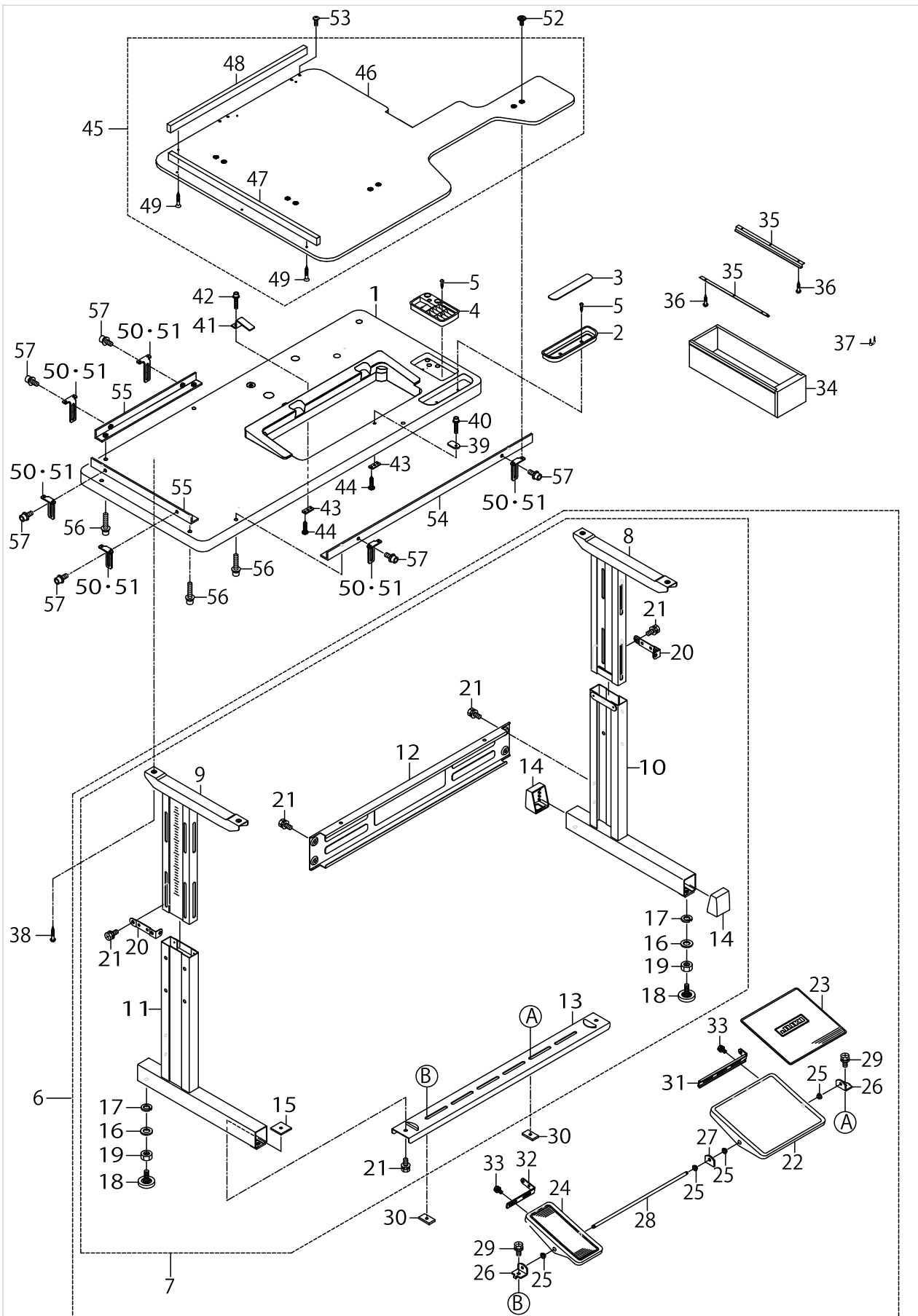


TABLE STAND COMPONENTS

No.	Parts No.	Parts name	Remarks	Level	Cons	Qty
1	40013092	SLANT_TABLE				1
2	11156007	CASE				1
3	11155801	CASE MAGNET				1
4	11155751	CASE ASM. B				1
5	SK3382001SC	WOOD SCREW D=3.8 L=20				4
6	40014170	STAND_ASSY				1
7	11157559	T-STAND ASM.		*		1
8	11157666	UPPER STAND ASM., RIGHT		*		1
9	11157765	UPPER STAND ASM., LEFT		*		1
10	11157963	LOWER LEG, RIGHT		*		1
11	11158060	LOWER LEG, LEFT		*		1
12	11158300	STAND SIDE SUPPORT		*		1
13	11158409	STAND SIDE SUPPORT		*		1
14	11158607	RUBBER CAP		*		4
15	17007402	NUT		*		2
16	WP1302501SE	WASHER M12		*		4
17	WS1253010KN	SPRING WASHER 12.5X21.5X3		*		4
18	B81085550A0	ADJUSTING SCREW ASM. WITH CAP		*		4
19	NM6120001SE	NUT M12		*		4
20	11158516	UPPER STAND PLATE		*		2
21	SL9082091SE	WASHER HEXAGONAL BOLT		*		12
22	11158805	PEDAL		*		1
23	11158904	PEDAL MAT		*		1
24	GPF060600A0	PEDAL ASM.		*		1
25	D8113555B00	PEDAL BUSHING		*		4
26	11159001	PEDAL SHAFT BRACKET		*		2
27	GPF06017000	PEDAL SHAFT BRACKET		*		1
28	GPF01016000	PEDAL SHAFT		*		1
29	SL9082091SE	WASHER HEXAGONAL BOLT		*		2
30	B8112552000	LEG BOTTOM SUPPORT BRACKET		*		2
31	11158706	PEDAL ADJUSTING PLATE		*		1
32	GPF06080000	PEDAL ADJUSTING PLATE		*		1
33	SL9061291SE	WASHER HEXAGONAL BOLT M6 L=12		*		4
34	11155108	DRAWER				1
35	11155207	DRAWER SUPPORT				2
36	SK3311600SC	WOOD SCREW D=3.1 L=16				6
37	D8204555D00	DRAWER STOPPER				1
38	SK3513200SC	WOOD SCREW D=5.1 L=32				4
39	40013126	STOPPER_PLATE_A				1
40	SL6063092TN	SCREW M6 L=30				1
41	40017696	STOPPER_PLATE_B				1
42	SL6063092TN	SCREW M6 L=30				1
43	40017697	STOPPER_PLATE_C				2
44	SK3381601SC	WOOD SCREW D=3.8 L=16				4
45	40013085	WORK_TOP_TABLE_ASSY				1
46	40013086	WORK_TOP_TABLE		*		1
47	40013087	EDGE_STOPPER_A		*		1

TABLE STAND COMPONENTS

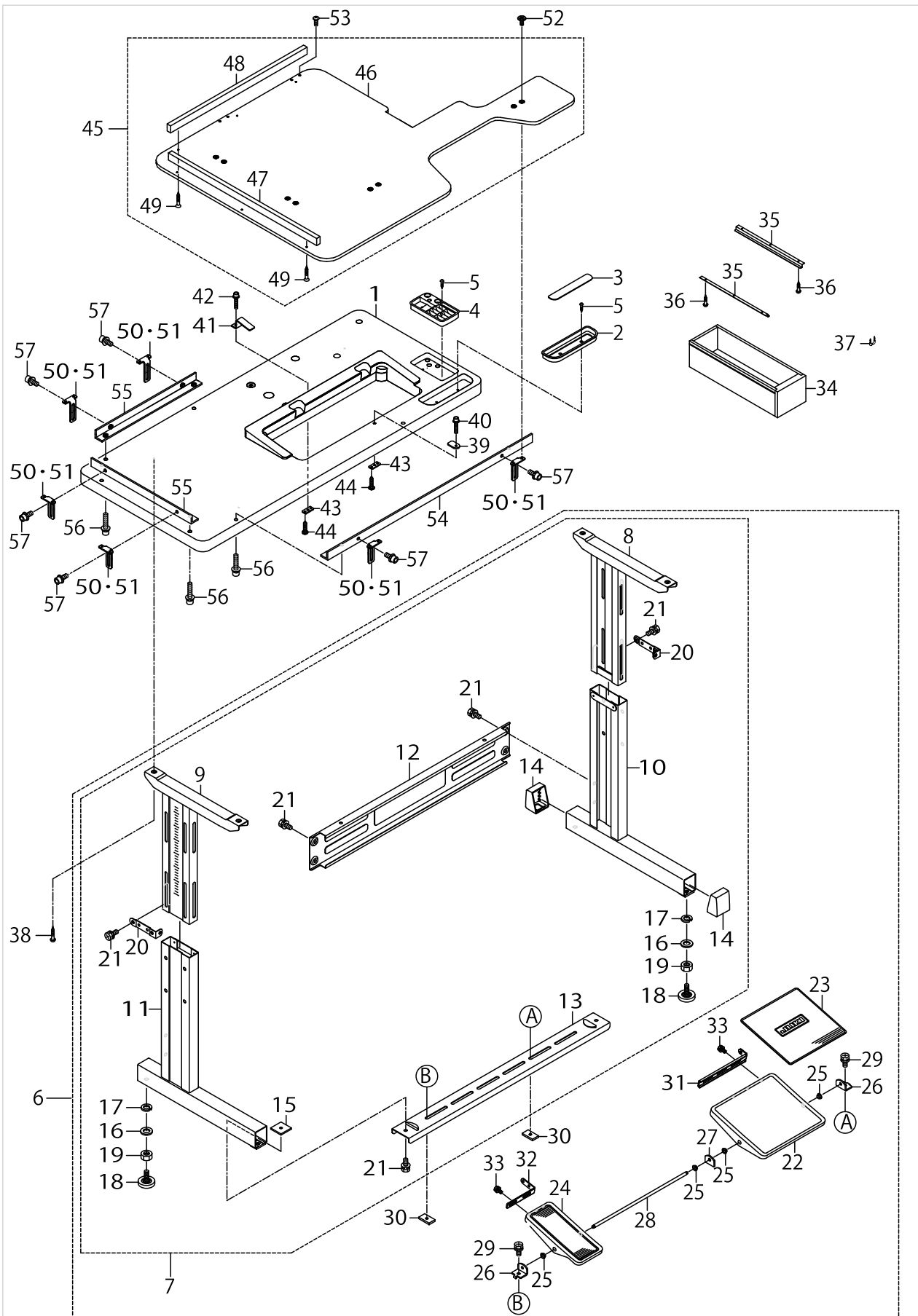
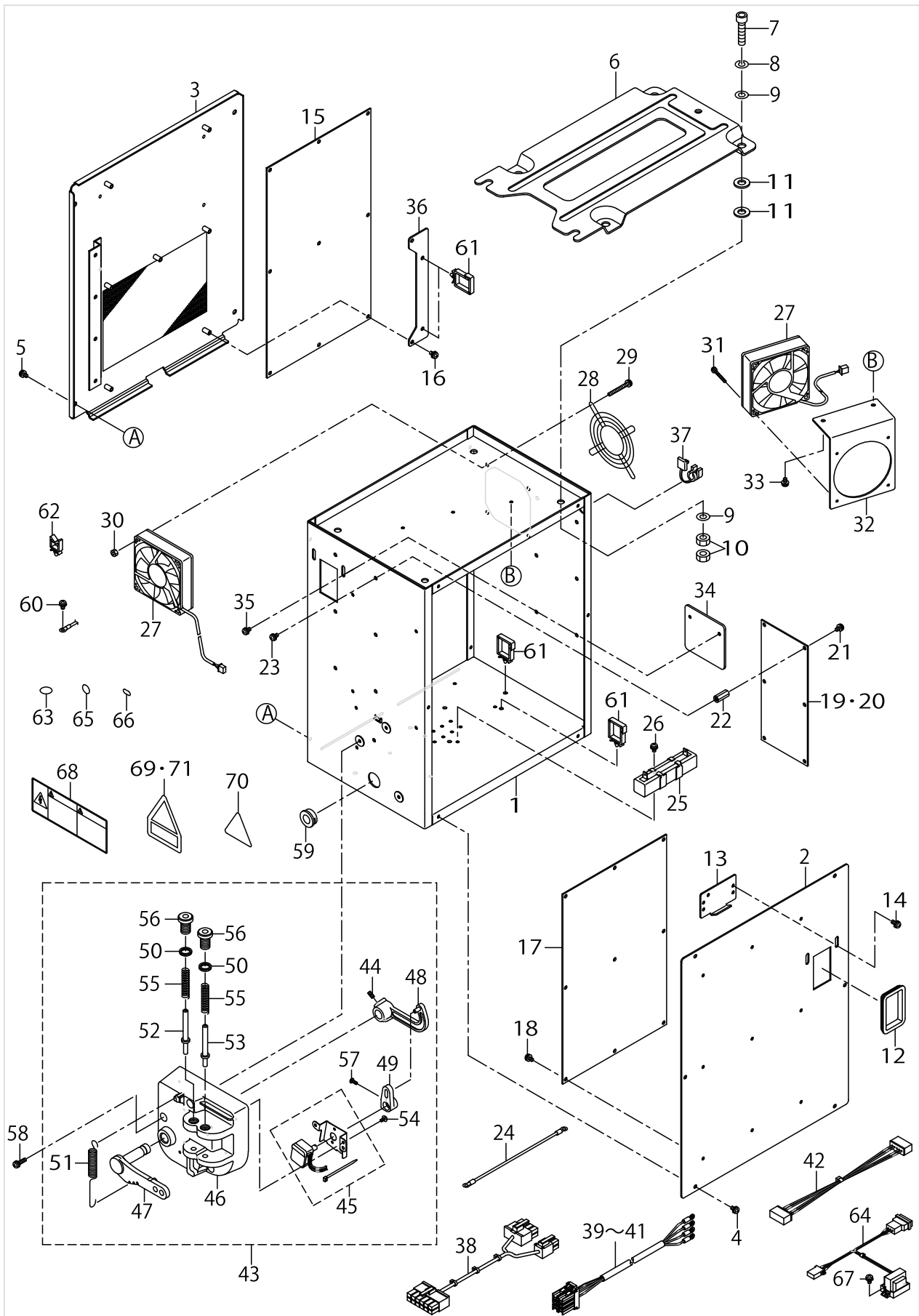


TABLE STAND COMPONENTS

No.	Parts No.	Parts name	Remarks	Level	Cons	Qty
48	40013088	EDGE_STOPPER_B		*		1
49	SK1382501SE	WOOD SCREW D=3.8 L=25		*		6
50	40013093	ADJUST PLATE	SELECTIVE PARTS			6
51	40014254	ADJUST_PLATE_B	SELECTIVE PARTS			6
52	40017676	JOINT_CONNECTOR_BOLT				8
53	SM0061601SC	SCREW				4
54	40015522	BASE_A				1
55	40017630	BASE_B				2
56	SL6084092TN	BOLT				6
57	SL6082092TN	BOLT				6

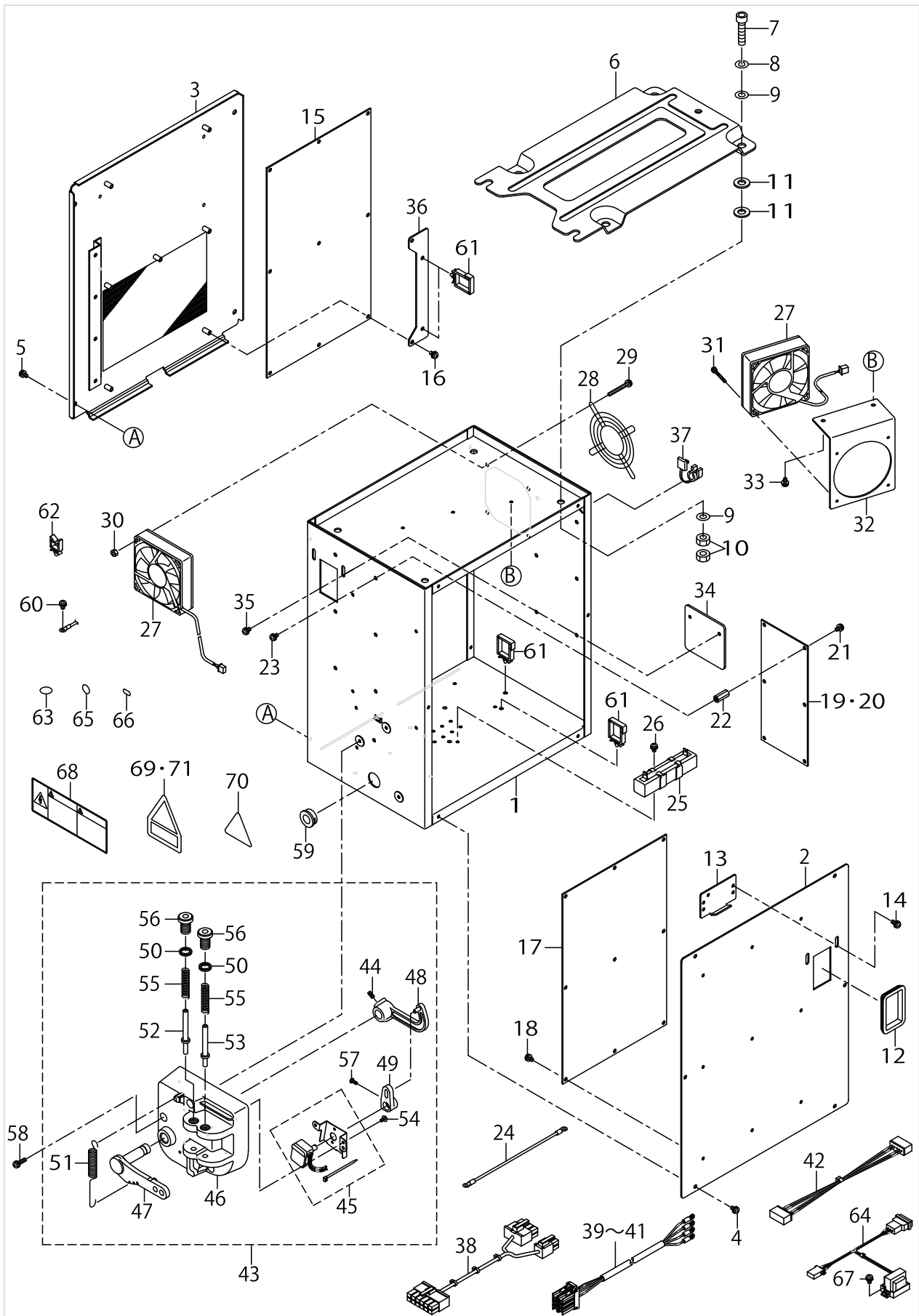
CONTROL BOX COMPONENTS



CONTROL BOX COMPONENTS

No.	Parts No.	Parts name	Remarks	Level	Cons	Qty
1	40003451	CONTROL BOX				1
2	40005991	TRANSMISSION BOX FRONT COVER				1
3	40003453	CONTROL BOX REAR COVER				1
4	SL4040891SC	SCREW M4 L=8				6
5	SL4040891SC	SCREW M4 L=8				4
6	M3801476000	TRANSMISSION BOX FITTING PLATE				1
7	SM6083502TN	SCREW				4
8	WS0820002KR	SPRING WASHER, M8				4
9	WP0841601SC	WASHER 8.4X17.4X1.6				8
10	NM6080002SC	NUT M8				8
11	M4206461000	WASHER				8
12	HX004070000	BUSH				1
13	17845009	CORD FITTING PLATE				1
14	SL4041091SC	SCREW M4 L=10				2
15	40008187	MAIN PCB A ASSY				1
16	SL4040881SC	SCREW M4 L=8				7
17	40017736	PWR PCB B ASSY				1
18	SL4040881SC	SCREW M4 L=8				9
19	40000056	FLT-T PCB A ASSY	FOR USE IN JAPAN(3-PHASE), JUS(3-PHASE)			1
20	40000046	FLT-S PCB A ASSY	FOR GENERAL EXPORT(1-PHASE),JE			1
21	SL4040881SC	SCREW M4 L=8				6
22	HX00337000B	PARTS				6
23	SL4040891SC	SCREW M4 L=8				6
24	40005974	FLT-FG CORD A ASM.				1
25	40005979	REGENERATIVE RESISTANCE A ASM.				1
26	SL4040891SC	SCREW M4 L=8				1
27	40016435	FAN ASSY 130				2
28	HM000480010	FINGER GUARD				1
29	SL4043591SC	SCREW				4
30	NM3040520SF	FLANGE NUT M4				4
31	SL4033091SC	SCREW M3 L=30				4
32	40005404	FAN MOTOR BRACKET				1
33	SL4040891SC	SCREW M4 L=8				2
34	40006002	BOX HORIZONTAL COVER				1
35	SL4040891SC	SCREW M4 L=8				2
36	40006003	CTL CLAMP HOLDER PLATE				1
37	HX00410000A	STRAIN RELIEF BUSHING				1
38	40017743	DC POWER CORD ASSY				1
39	40005975	AC INPUT 3-PHASE CORD A ASM.	FOR USE IN JAPAN(3-PHASE), JUS(3-PHASE)			1
40	40005976	AC INPUT 1-PHASE CORD A ASM.	FOR GENERAL EXPORT(1-PHASE)			1
41	40005977	AC INPUT 1-PHASE CORD CE ASM.	FOR JE			1
42	40005987	PDD RELAY CORD A ASM.				1
43	40005980	PEDAL SENSOR UNIT A ASM.				1
44	SM8040802TP	SCREW M4X8		*		2
45	40005981	SENSOR FITTING PLATE A ASM.		*		1
46	M4001461000	PEDAL SENSOR BASE		*		1
47	M4002461000	PEDAL LEVER		*		1

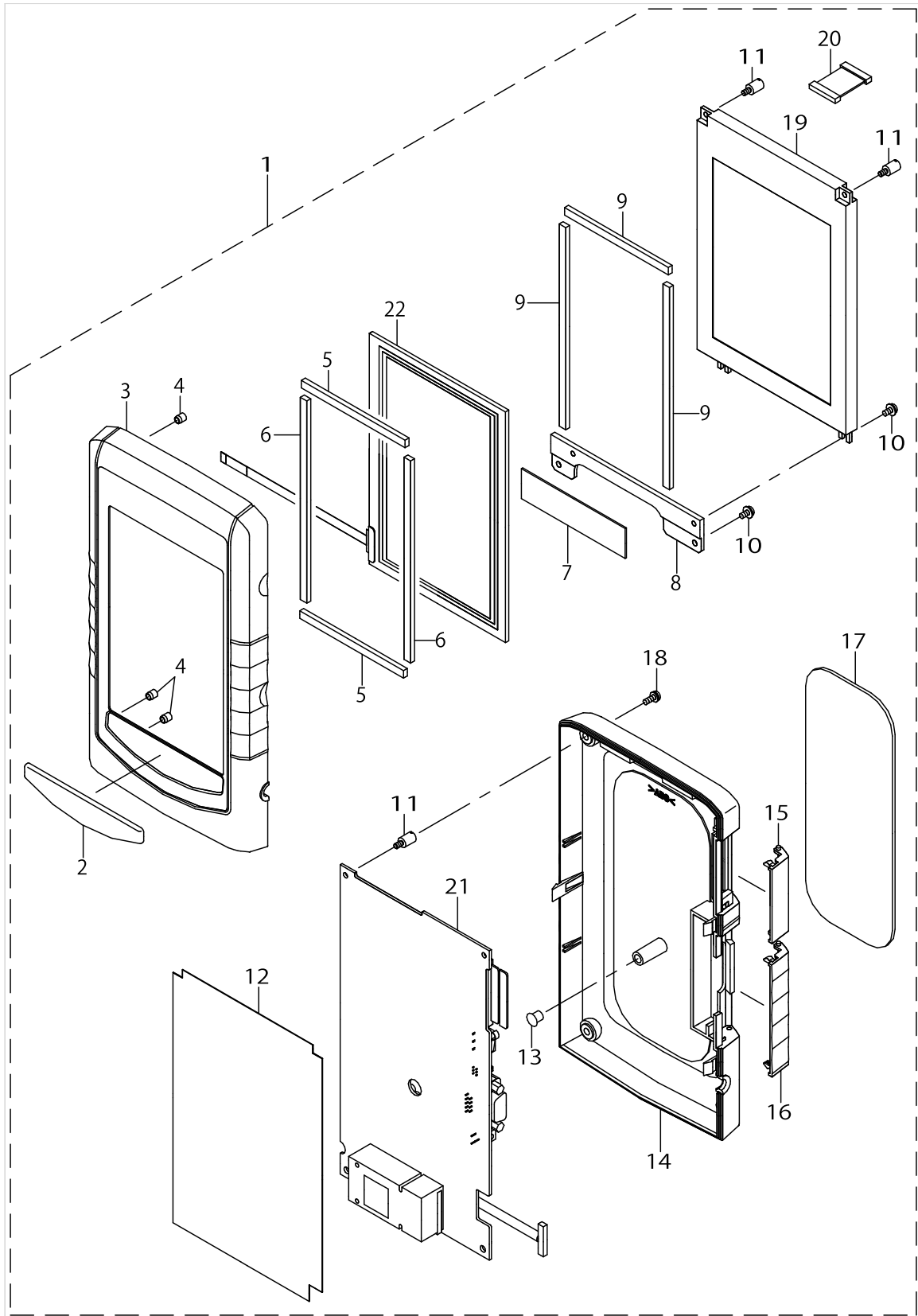
CONTROL BOX COMPONENTS



CONTROL BOX COMPONENTS

No.	Parts No.	Parts name	Remarks	Level	Cons	Qty
48	M4004461000	PEDAL RING		*		1
49	M4005461000	VOLUME LINK		*		1
50	M2010110000	ADJUST NUT		*		2
51	M4007351000	FRONT SPRING		*		1
52	M4008351000A	SPRING SHAFT A		*		1
53	M4009351000A	SPRING SHAFT B		*		1
54	SV4030601SR	SCREW M3 L=6		*		2
55	M4011351000	SPRING B		*		2
56	M4012351000	ADJUST SCREW		*		2
57	SM4030801SF	SCREW M3X0.5 L=8		*		1
58	SL4041681SF	SCREW M4 L=16				3
59	HX00188000D	BUSH				1
60	SL4040891SC	SCREW M4 L=8				5
61	HX005110000	WIRE SADDLE				4
62	HX00222000A	CABLE CLAMP				4
63	E9567319000	EARTH MARK				1
64	40016436	CE REACTANCE ASSY	FOR JE			1
65	40003458	MASK SEAL	FOR JE			8
66	CM200100001	PE MARK LABEL	FOR JE			1
67	SL4040891SC	SCREW M4 L=8	FOR JE			2
68	CM300100401	LABEL 3 (LARGE)	FOR USE IN JAPAN(3-PHASE), JUS(3-PHASE)			1
69	CM300400701	VOLTAGE CAUTION LABEL	FOR USE IN JAPAN(3-PHASE), JUS(3-PHASE)			1
70	CM300100003	VOLTAGE WARNING LABEL(25)	FOR GENERAL EXPORT(1-PHASE),JE			1
71	CM300400601	VOLTAGE CAUTION LABEL	FOR GENERAL EXPORT(1-PHASE),JE			1

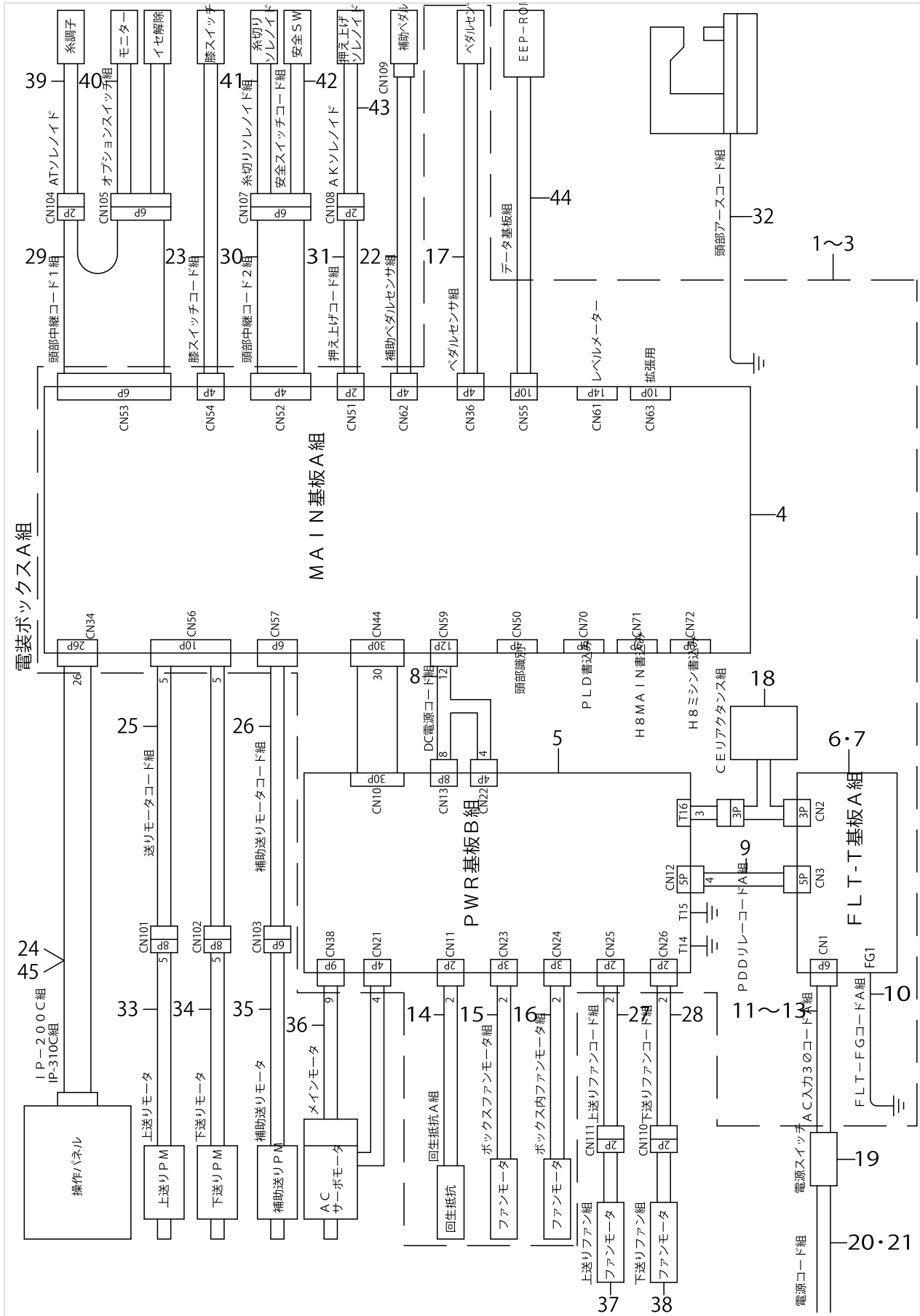
OPERATION PANEL COMPONENTS (IP-200C)



OPERATION PANEL COMPONENTS (IP-200C)

No.	Parts No.	Parts name	Remarks	Level	Cons	Qty
1	40000130	OPERATION_PANEL_ASS'Y				1
2	40000131	NAME_PLATE		*		1
3	40000132	OPERATION_PANEL_F		*		1
4	40000133	INSERT_NUT		*		6
5	40000134	TTP_H_FELT		*		2
6	40000135	TTP_V_FELT		*		2
7	40000136	KEY_SHEET		*		1
8	40000137	LCD_BASE_PLATE		*		1
9	40000138	BOTHSIDES_TAPE		*		3
10	SL4030691SC	SCREW M3X6		*		4
11	40000139	STUD		*		6
12	40000140	ISOLATION_SHEET		*		1
13	TA0550604R0	RUBBER PLUG		*		1
14	40000141	OPERATION_PANEL_R		*		1
15	40000142	SM_COVER		*		1
16	40000143	SERIAL_COVER		*		1
17	40000144	OPERATION_PANEL_MAGNET		*		1
18	SL4030881SC	SCREW M3X8		*		4
19	A39500100A0	LCD		*		1
20	40000146	LCD_CABLE_ASS'Y		*		1
21	40000148	PANEL_PCB_A_ASS'Y		*		1
22	A3906010000	TOUCH PANEL		*		1

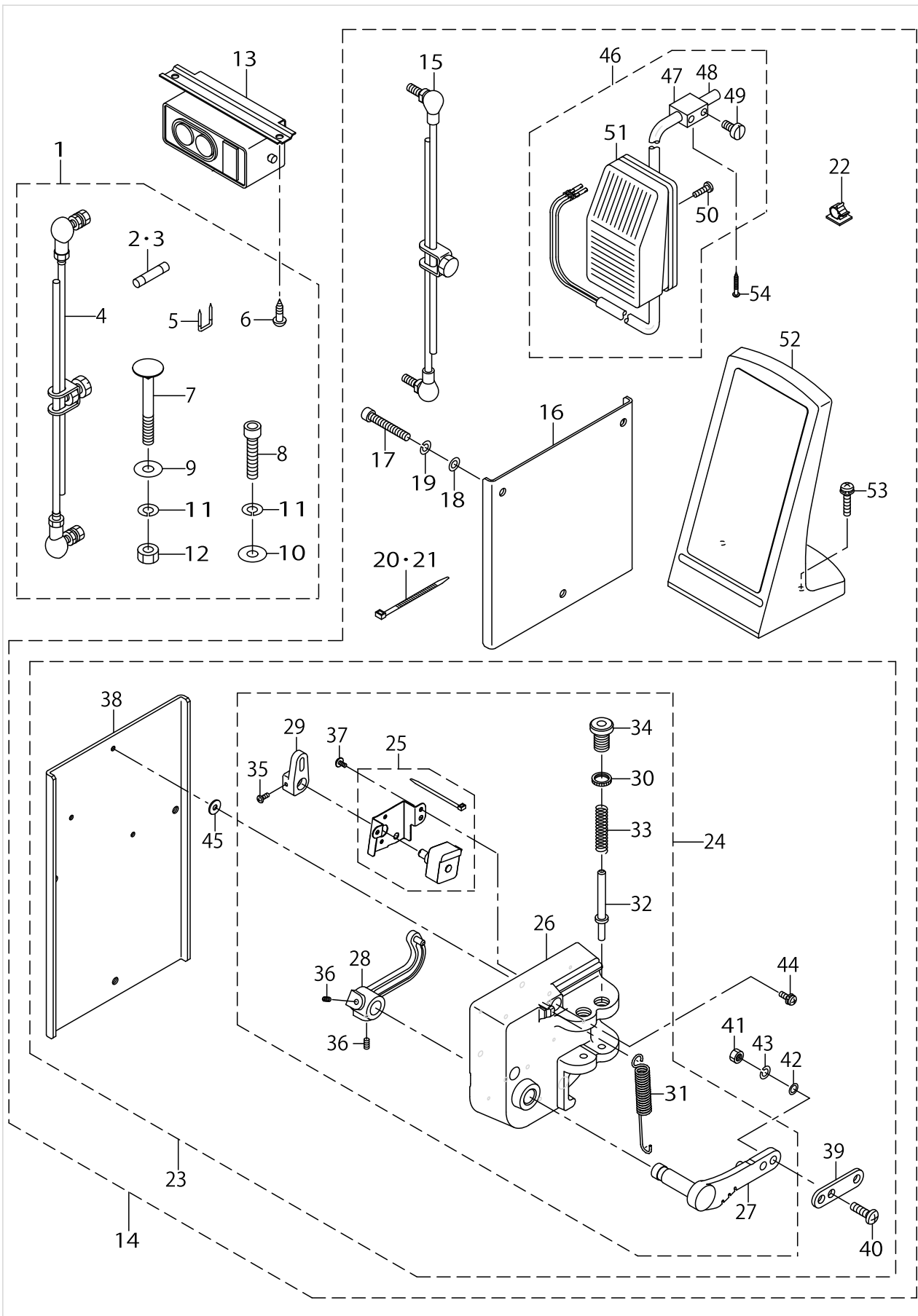
WIRING DIAGRAM



WIRING DIAGRAM

No.	Parts No.	Parts name	Remarks	Level	Cons	Qty
1	40008173	MC-650 BOX A 3P 200-240V	FOR USE IN JAPAN(3-PHASE), JUS(3-PHASE)			1
2	40017733	MC-650 BOX B 1P 200-240V	FOR GENERAL EXPORT(1-PHASE)			1
3	40017734	MC-650 BOX C 1P 200-240V	FOR JE			1
4	40008187	MAIN PCB A ASSY		*		1
5	40017736	PWR PCB B ASSY		*		1
6	40000056	FLT-T PCB A ASSY	FOR USE IN JAPAN(3-PHASE), JUS(3-PHASE)	*		1
7	40000046	FLT-S PCB A ASSY	FOR GENERAL EXPORT(1-PHASE),JE	*		1
8	40017743	DC POWER CORD ASSY		*		1
9	40005987	PDD RELAY CORD A ASM.		*		1
10	40005974	FLT-FG CORD A ASM.		*		1
11	40005975	AC INPUT 3-PHASE CORD A ASM.		*		1
12	40005976	AC INPUT 1-PHASE CORD A ASM.		*		1
13	40005977	AC INPUT 1-PHASE CORD ASM.	FOR JE	*		1
14	40005979	REGENERATIVE RESISTANCE A ASM.	FOR USE IN JAPAN(3-PHASE), JUS(3-PHASE), GENERAL EXPORT(1-PHASE)	*		1
15	40016435	FAN ASSY 130	FOR USE IN JAPAN(3-PHASE), JUS(3-PHASE)	*		1
16	40016435	FAN ASSY 130	FOR GENERAL EXPORT(1-PHASE),JE	*		1
17	40005980	PEDAL SENSOR UNIT A ASM.		*		1
18	40016436	CE REACTANCE ASSY		*		1
19	HA004250000	SWITCH				1
20	M90175800A0	POWER CABLE ASM.				1
21	M90245800A0	POWER CABLE ASM.,100V				1
22	40016702	PEDAL SENSOR ASSY				1
23	40017738	KNEE SWITCH CORD ASSY				1
24	40010034	IP-200C_SET				1
25	40017737	FEEDER MOTOR CORD ASSY				1
26	40015794	ASSIST FEEDER MOTOR CORD ASSY				1
27	40015795	UPPER FEEDER FAN CORD ASSY				1
28	40015796	LOWER FEEDER FAN CORD ASSY				1
29	40017740	MAIN FRAME RELAY CORD 1 ASSY				1
30	40017741	MAIN FRAME RELAY CORD 2 ASSY				1
31	40017739	FOOT LIFTER CORD ASSY				1
32	40017742	EARTH CORD ASSY				1
33	KM000000350	PULSE MOTOR				1
34	KM000000350	PULSE MOTOR				1
35	HM001940000	STEPPING MOTOR				1
36	KM000000470	AC SERVO MOTOR				1
37	40005402	HEAD FAN MOTOR A ASS'Y				1
38	40005402	HEAD FAN MOTOR A ASS'Y				1
39	40016908	AT_SOLENOID				1
40	40014098	OPTION_SWITCH_ASSY				1
41	40017612	SOLENOID_UNIT				1
42	23638554	SAFETY SWITCH CORD ASM.				1
43	40017823	SOLENOID				1
44	40017744	DATA PCB ASSY				1
45	40057937	IP-310C COMPLETE				1

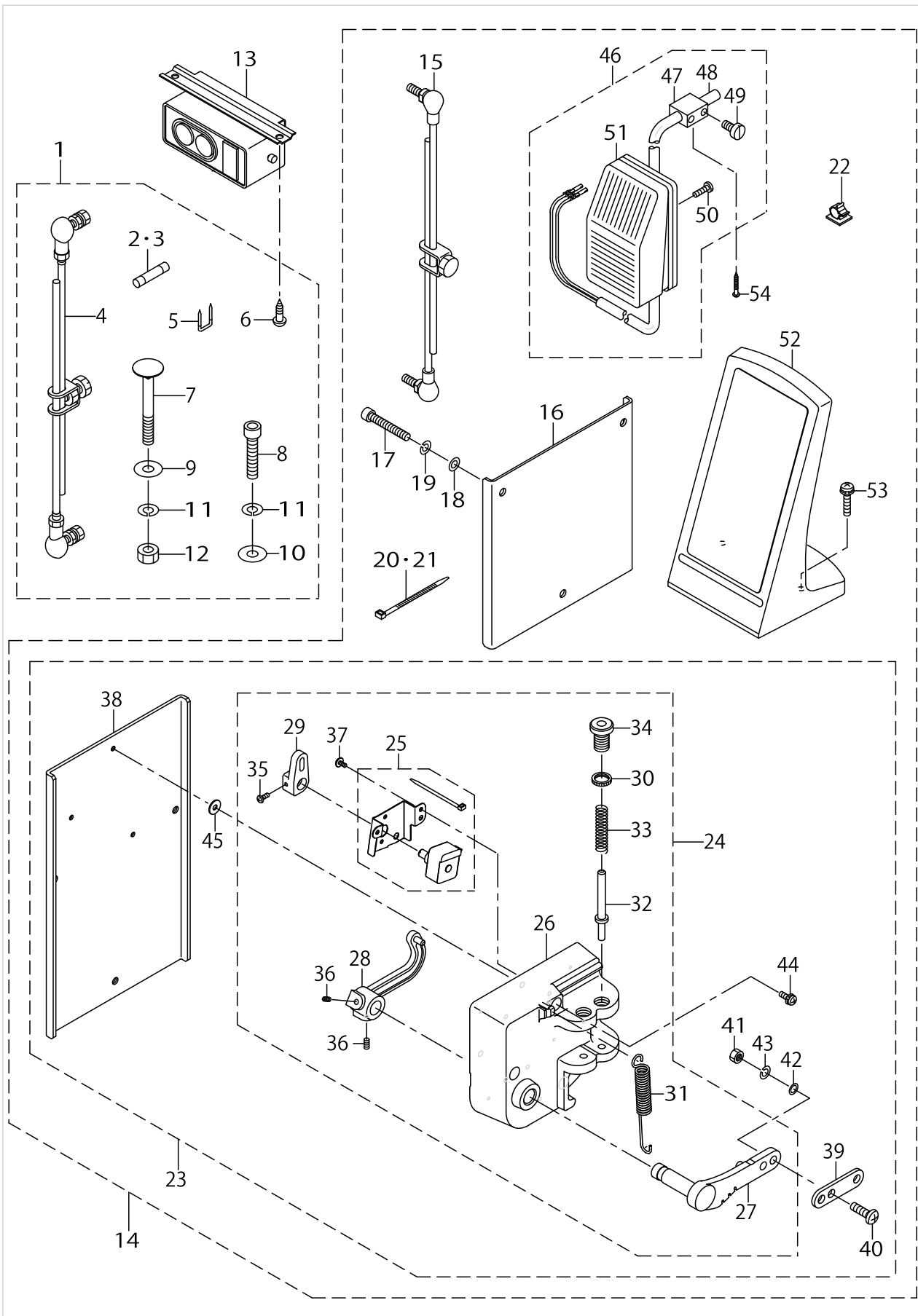
CONTROL BOX ACCESSORIE PART COMPONENTS



CONTROL BOX ACCESSORIE PART COMPONENTS

No.	Parts No.	Parts name	Remarks	Level	Cons	Qty
1	40018344	OPTION A ASSY				1
2	HF0013020P0	FUSE 2A		*		1
3	HF001301000	TIMING LAG FUSE		*		1
4	22958458	CONNECTING ROD ASM. B		*		1
5	MAO11532000	CORD STAPLE		*		3
6	SK3512001SE	WOOD SCREW D=5.1 L=20		*		2
7	MTSHJ100003	BOLT		*		2
8	SM6084002TN	SCREW M8 L=40		*		1
9	WP0852086SC	WASHER M8		*		2
10	WP0841601SC	WASHER 8.4X17.4X1.6		*		1
11	WS0820002KR	SPRING WASHER, M8		*		3
12	NM6080002SC	NUT M8		*		2
13	HA004250000	SWITCH	FOR USE IN JAPAN(3-PHASE), JU-S(3-PHASE), GENERAL EXPORT(1-PHASE)			1
14	40008175	OPTION B ASSY				1
15	12949657	CONNECTING ROD ASM.		*		1
16	40013084	SENSOR_PLATE_B		*		1
17	SM6064002TN	HEXAGONAL-HOLE BOLT		*		3
18	WP0641600SC	WASHEW 6.4X12.5X1.6		*		3
19	WS0610002KN	SPRING WASHER 6.1X12.2X1.5		*		3
20	HX00065000A	CABLE CLIP		*		2
21	EA9500B0100	CABLE BAND		*		4
22	E9607603000	STICKER (SMALL)		*		1
23	40016703	PEDAL_SENSOR_UNIT		*		1
24	40016702	PEDAL_SENSOR_ASSY		*		1
25	40018124	SENSOR_INSTALLING_PLATE_ASSY		*		1
26	M4001461000	PEDAL_SENSOR_BASE		*		1
27	M4002461000	PEDAL_LEVER		*		1
28	M4004461000	PEDAL_RING		*		1
29	M4005461000	VOLUME_LINK		*		1
30	M2010110000	ADJUST NUT		*		1
31	M4007351000	FRONT_SPRING		*		1
32	M4008351000	SPRING_SHAFT_A		*		1
33	M4011351000	SPRING_B		*		1
34	M4012351000	ADJUST SCREW		*		1
35	SM4030801SF	SCREW M3X0.5 L=8		*		1
36	SM8040802TP	SCREW M4X8		*		2
37	SV4030601SR	SCREW M3 L=6		*		2
38	40013083	SENSOR_PLATE_A		*		1
39	40013094	PEDAL_LEVER_PLATE		*		1
40	SM4062001SC	SCREW M6 L=20		*		2
41	NM6060001SC	NUT M6		*		2
42	WP0621026SP	WASHER 6.2X9.5X1		*		2
43	WS0631510KP	SPRING WASHER		*		2
44	SL4041281SC	SCREW M4X0.7 L=12		*		3
45	WP0431005SP	PLAIN WASHER 4.3X12X1		*		3
46	40015806	KNEE_SWITCH_A_ASSY		*		1

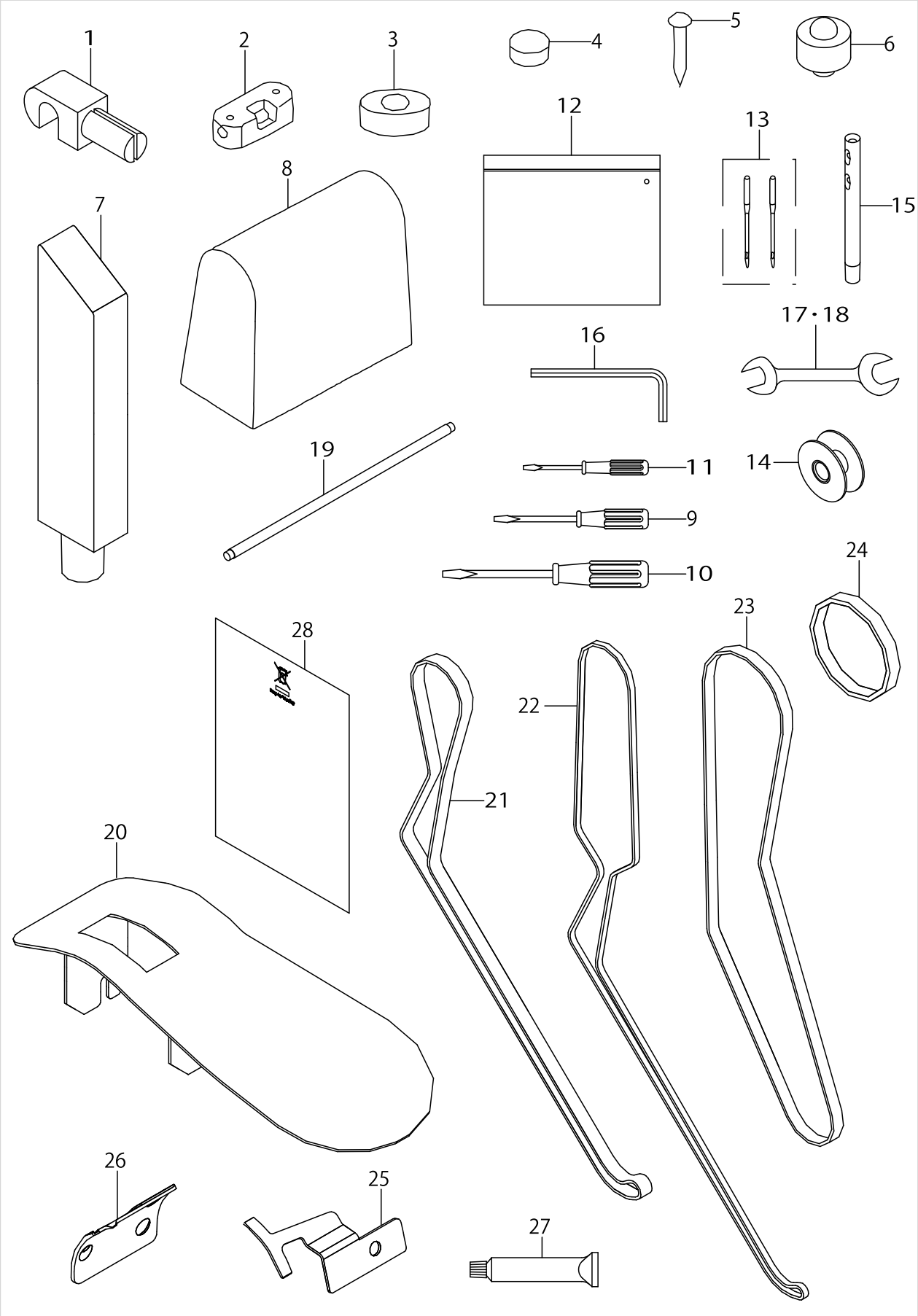
CONTROL BOX ACCESSORIE PART COMPONENTS



CONTROL BOX ACCESSORIE PART COMPONENTS

No.	Parts No.	Parts name	Remarks	Level	Cons	Qty
47	MAT80230T00	KNEE SWITCH SUPPORT BASE		*		2
48	MAT80231T00	DRIVING BAR, T002		*		1
49	SS6151220SP	SCREW 15/64-28 L=11.5		*		4
50	SS7111410SP	SCREW 11/64-40 L=14		*		2
51	40017738	KNEE SWITCH CORD ASSY		*		1
52	40019976	OPERATION_BOX_FIXED_PLATE_ASM.		*		1
53	SL4052581SC	SCREW M5 L=25		*		2
54	SK3413201SE	WOOD SCREW D=4.1 L=32		*		2

ACCESSORIE PART COMPONENTS



ACCESSORIE PART COMPONENTS

No.	Parts No.	Parts name	Remarks	Level	Cons	Qty
1	B8213012000	BED HINGE CONNECTION				2
2	10529600	WASHER				2
3	B8209012000	RUBBER CUSHION				2
4	B8206012000	FELT CUSHION				2
5	10539906	SET NAIL				6
6	40016194	FREAM_SUPPORT_RUBBER				2
7	10528800	FRAME SUPPORT BAR				1
8	40048536	HEAD_COVER				1
9	22933006	SCREW DRIVER,LARGE				1
10	22933105	SCREW DRIVER,MIDDLE				1
11	22933204	SCREW DRIVER,SMALL				1
12	22932800	ACCESSORIE BAG				1
13	MDP170B1102	NEEDLE DPX17#11-2				1
14	22964001	BOBBIN A				1
15	22502504	THREAD GUIDE BAR				1
16	B9141372000	HEXAGONAL WRENCH, LARGE				1
17	B9143372000	WRENCH (7.1 X 8.1)				1
18	B9113012000	WRENCH (9X10)				1
19	D8115555B00	PEDAL SHAFT				1
20	40013198	SUPPORT_PLATE				1
21	40016900	TIMING_BELT_6.7				1
22	40016901	TIMING_BELT_2.7				1
23	40017608	TIMING_BELT				2
24	40012951	BELT_ROLLER				2
25	40012685	COUNTER_KNIFE				1
26	40017611	MOVING_KNIFE				1
27	40006323	JUKI GREASE A TUBE				1
28	CM600100201	WEEE INFORMATION SHEET				1

HOW TO MAKE USE OF THIS PARTS LIST

1.Explanation of codes

1)"*"mark.....means this part is changed from the previous parts book.

As to the details of the change, refer to the "List for information of change".

2)"#01".....refer to "Note" explanation at bottom of page.

2.Codes on the "Qty" column

- Each numeral indicates the number of parts required.
- "0.1" and "2.5" indicate the length (in meters) of the respective parts.

3.Parentheses mean that the corresponding part is a subpart that constructs an assembly part.

4.Dotted lines on the Figures indicate assembly parts.

5.As to the parts with marks of "☆"(consumable parts) and "◎"(optional parts)on the respective parts, it is recommended to prepare spares.

1 ."注記"欄の記号説明

1) "*"印.....前回のパーツブックに比較して今回変更された部品を意味します。

変更内容は、"変更情報リスト"を参照してください。

2) "#01".....ページ下の"注記"の説明を参照してください。

2.数量欄の数字は、個数を表し、0.1、2.5等の数値は、長さ（単位メートル）を表します。

3.数量欄の（ ）は、組部品を構成している子部品であることを意味します。

4.イラストページの-----枠は、組構成であることを意味します。

5.リストページの"☆"（消耗部品）、"◎"（オプション部品）の印がついた部品は、予備を準備しておくことをお奨めします。

NUMERICAL INDEX OF PARTS

PART NO	PAGE	REF NO.	PART NO	PAGE	REF NO.	PART NO	PAGE	REF NO.
10004109	2	36	17845009	44	13	23604168	8	14
10013019	16	35	22502504	56	15	23604200	8	2
10112704	16	31	22886808	8	26	23604408	8	12
10502300	36	30	22890008	28	75	23608003	8	27
10523702	32	38	22890305	28	92	23608706	14	59
10528800	56	7	22891204	8	9	23609001	14	73
10529600	56	2	22901409	2	11	23609209	12	12
10539906	56	5	22902506	2	3	23610306	14	65
11043304	14	61	22906309	8	28	23618705	28	69
11043304	32	27	22906408	8	20	23618804	28	67
11072402	36	25	22906457	8	19	23620305	28	95
11110707	34	6	22907406	12	11	23620305	30	95
11141207	8	23	22907604	14	66	23620404	28	76
11155108	40	34	22920607	34	39	23620503	28	65
11155207	40	35	22921605	34	25	23620750	28	77
11155751	40	4	22930309	38	14	23622061	8	4
11155801	40	3	22930358	38	1	23622400	8	6
11156007	40	2	22930408	38	10	23624505	32	32
11157559	40	7	22930507	38	9	23624554	32	31
11157666	40	8	22930556	38	15	23626104	34	37
11157765	40	9	22930705	38	7	23626203	8	29
11157963	40	10	22930804	38	5	23629900	2	27
11158060	40	11	22930903	38	4	23631708	6	32
11158300	40	12	22931000	38	3	23631807	6	33
11158409	40	13	22931109	38	2	23631906	6	34
11158516	40	20	22931307	38	11	23636400	8	47
11158607	40	14	22931406	38	8	23636657	36	24
11158706	40	31	22932800	56	12	23638000	6	2
11158805	40	22	22933006	56	9	23638059	6	1
11158904	40	23	22933105	56	10	23638109	6	3
11159001	40	26	22933204	56	11	23638208	6	4
11305513	34	41	22945414	34	31	23638307	6	5
11352408	32	6	22945463	34	30	23638406	6	6
11352507	32	15	22945505	34	34	23638554	6	7
11352606	32	10	22945604	34	32	23638554	50	42
11352705	32	22	22945703	34	35	23640006	4	58
11353406	32	17	22945802	34	33	26260109	36	2
11353604	28	89	22950950	28	90	26260208	36	3
11354404	32	11	22951404	32	30	26260307	36	4
11404308	34	42	22958458	52	4	26260406	36	5
12949657	52	15	22964001	56	14	26260505	36	6
13522206	26	40	23540909	6	36	26260604	36	7
13706700	36	31	23600505	2	5	26260802	36	8
14113450	36	26	23601305	2	26	26261008	36	9
17007402	40	15	23604119	8	15	26261206	36	10

NUMERICAL INDEX OF PARTS

PART NO	PAGE	REF NO.	PART NO	PAGE	REF NO.	PART NO	PAGE	REF NO.
26261305	36	11	40005987	44	42	40012705	28	73
26261503	36	12	40005987	50	9	40012709	26	12
26261602	36	13	40005991	44	2	40012840	12	32
26261701	36	14	40006002	44	34	40012842	12	33
32009805	16	24	40006003	44	36	40012853	12	1
40000046	44	19·20	40006323	56	27	40012854	14	55
40000046	50	6·7	40008173	50	1~3	40012855	14	48
40000056	44	19·20	40008175	52	14	40012861	12	3
40000056	50	6·7	40008187	44	15	40012862	12	29
40000130	48	1	40008187	50	4	40012863	12	30
40000131	48	2	40010034	50	24	40012864	14	58
40000132	48	3	40010434	8	8	40012865	14	51
40000133	48	4	40010477	34	2	40012867	14	67
40000134	48	5	40010478	34	24	40012915	16	23
40000135	48	6	40010508	34	15	40012916	16	22
40000136	48	7	40010509	34	16	40012917	16	27
40000137	48	8	40010510	34	17	40012918	16	10
40000138	48	9	40010511	34	18	40012919	16	2
40000139	48	11	40010512	34	19	40012920	16	1
40000140	48	12	40010513	34	20	40012922	26	30
40000141	48	14	40010514	34	21	40012923	26	34
40000142	48	15	40010515	34	22	40012926	26	32
40000143	48	16	40010521	34	26	40012927	32	2
40000144	48	17	40010522	34	27	40012928	32	3
40000146	48	20	40010523	34	28	40012930	32	36
40000148	48	21	40011144	36	15	40012931	26	5
40003451	44	1	40011359	34	23	40012932	26	9
40003453	44	3	40012035	8	1	40012934	28	74
40003458	46	65	40012663	2	45	40012935	26	13
40005402	2	32	40012664	2	47	40012936	26	8
40005402	50	38	40012665	2	15	40012937	26	38
40005404	44	32	40012666	2	16	40012938	26	3
40005974	44	24	40012667	6	25	40012939	26	7
40005974	50	10	40012669	8	37	40012940	26	10·50
40005975	44	39~41	40012671	8	38	40012942	2	22
40005975	50	11~13	40012673	16	43	40012943	2	23
40005976	44	39~41	40012677	16	34	40012944	2	19
40005976	50	11~13	40012682	16	33	40012945	2	18
40005977	44	39~41	40012685	26	25	40012946	4	54
40005977	50	11~13	40012685	56	25	40012948	2	41
40005979	44	25	40012686	26	26	40012949	4	53
40005979	50	14	40012687	32	4	40012951	26	15
40005980	44	43	40012690	28	62	40012951	56	24
40005980	50	17	40012692	28	72	40012952	28	55
40005981	44	45	40012700	28	63	40012953	28	56

NUMERICAL INDEX OF PARTS

PART NO	PAGE	REF NO.	PART NO	PAGE	REF NO.	PART NO	PAGE	REF NO.
40012954	28	58	40016703	52	23	40016935	6	18
40012955	26	20	40016713	22	86	40016936	6	20
40012956	26	16	40016871	20	2	40016937	6	21
40012957	26	17	40016872	20	3	40016938	6	22
40012959	26	21	40016873	20	7	40016939	6	24
40012961	26	19	40016874	20	10	40016940	6	15
40012962	12	20	40016875	20	13	40016951	2	37
40012963	12	6	40016876	20	15	40017589	8	43
40012964	12	7	40016877	20	16	40017591	8	46
40012965	12	8~10	40016878	20	25	40017593	12	22
40012966	14	54	40016879	20	18	40017594	12	36
40012967	12	5	40016880	20	19	40017596	12	39
40013083	52	38	40016881	20	21	40017598	12	41
40013084	52	16	40016882	20	24	40017600	14	60
40013085	40	45	40016883	20	26	40017601	14	62
40013086	40	46	40016884	20	31	40017602	14	70
40013087	40	47	40016885	20	35	40017603	16	9
40013088	42	48	40016886	20	39	40017604	16	37
40013092	40	1	40016887	20	44	40017605	16	38
40013093	42	50·51	40016888	20	46	40017606	16	39
40013094	52	39	40016890	22	51	40017607	28	57
40013126	40	39	40016891	22	55	40017608	28	60
40013172	2	1	40016892	22	56	40017608	56	23
40013173	2	7	40016893	22	57	40017609	28	51
40013174	2	9	40016894	22	58	40017610	26	46
40013175	6	30	40016895	22	60	40017611	26	29
40013198	4	49	40016896	22	62	40017611	56	26
40013198	56	20	40016897	22	63	40017612	32	23
40014098	6	29	40016898	22	64	40017612	50	41
40014098	50	40	40016900	22	66	40017615	32	5
40014170	40	6	40016900	56	21	40017616	28	93
40014254	42	50·51	40016901	22	67	40017619	26	37
40014837	36	16	40016901	56	22	40017630	42	55
40015522	42	54	40016902	2	30	40017675	32	37
40015794	50	26	40016903	22	87	40017676	42	52
40015795	50	27	40016904	22	89	40017696	40	41
40015796	50	28	40016905	22	80	40017697	40	43
40015806	52	46	40016906	22	91	40017733	50	1~3
40016194	56	6	40016908	34	1	40017734	50	1~3
40016435	44	27	40016908	50	39	40017736	44	17
40016435	50	16	40016909	34	5	40017736	50	5
40016436	46	64	40016910	34	8	40017737	50	25
40016436	50	18	40016911	34	11	40017738	50	23
40016702	50	22	40016933	6	16	40017738	54	51
40016702	52	24	40016934	6	17	40017739	50	31

NUMERICAL INDEX OF PARTS

PART NO	PAGE	REF NO.	PART NO	PAGE	REF NO.	PART NO	PAGE	REF NO.
40017740	50	29	40133275	32	24	CM600100101	4	51
40017741	50	30	A3906010000	48	22	CM600100201	56	28
40017742	50	32	A39500100A0	48	19	CS0800971TP	16	6
40017743	44	38	B1116804000	12	4	CS1201171TP	28	85
40017743	50	8	B1414555000	8	22	CS1701011SZ	16	21
40017744	50	44	B1432761000	16	46	D2468555B00	16	19
40017755	26	1·2	B1432761000	32	14	D2588L8WB00	32	12
40017756	2	21	B1453761000	16	45	D7133555B00	36	28
40017757	8	36	B1453771000	32	13	D8113555B00	40	25
40017759	16	36	B1513210D00	16	17	D8115555B00	56	19
40017760	20	1	B1515210D00	16	18	D8204555D00	40	37
40017794	12	8~10	B1636581A00	12	14~17	E2067715000	28	86
40017795	12	8~10	B1636581B00	12	14~17	E2613700000	20	22
40017823	16	13	B1636581C00	12	14~17	E9567319000	46	63
40017823	50	43	B1636581D00	12	14~17	E9607603000	52	22
40017831	20	47	B1652210D00	16	16	EA9500B0100	6	39
40017832	22	48	B3008141H00	12	24	EA9500B0100	52	20·21
40018058	6	12	B3009141H0A	12	25	G5523880000	16	20
40018124	52	25	B3010141H00	12	26	G6505880000	16	26
40018344	52	1	B3033141H00	12	45	GPF01016000	40	28
40018458	6	31	B3034141H00	12	44	GPF06017000	40	27
40019398	22	73	B3035141H00	12	43	GPF060600A0	40	24
40019593	22	76	B3036141H00	12	46	GPF06080000	40	32
40019594	24	96	B3126012000	36	27	HA004250000	50	19
40019605	22	94	B3406180000	28	64	HA004250000	52	13
40019976	54	52	B3417180000	22	49	HF001301000	52	2·3
40021363	6	27	B81085550A0	40	18	HF0013020P0	52	2·3
40023021	36	1	B8112552000	40	30	HK016590060	6	37
40023022	36	17	B8206012000	56	4	HK034610020	16	14
40035301	22	50	B8209012000	56	3	HK034610040	6	14
40036120	22	65	B8213012000	56	1	HK03464000B	32	34
40039946	8	34	B9113012000	56	17·18	HM000480010	44	28
40041232	6	38	B9117552A00	28	52	HM001940000	22	70
40041854	28	10·50	B9141372000	56	16	HM001940000	50	35
40043341	26	35	B9143372000	56	17·18	HX00065000A	52	20·21
40043705	28	48	BT0400251AB	18	49	HX00150000H	22	78
40044877	28	94	CM200100001	46	66	HX00188000D	46	59
40044906	8	11	CM300100003	46	70	HX00188000E	4	57
40046684	26	1·2	CM300100401	46	68	HX00222000A	46	62
40048536	56	8	CM300200001	2	35	HX00337000B	44	22
40051473	8	31	CM300200003	4	59	HX004070000	44	12
40051474	8	32	CM300300002	4	60	HX00410000A	44	37
40056602	2	14	CM300400601	46	69·71	HX005110000	46	61
40057937	50	45	CM300400701	46	69·71	KM000000350	22	68
40065512	22	54	CM301300001	2	34	KM000000350	28	53

NUMERICAL INDEX OF PARTS

PART NO	PAGE	REF NO.	PART NO	PAGE	REF NO.	PART NO	PAGE	REF NO.
KM000000350	50	34	NM6060001SD	12	38	SD0800756TH	12	52
KM000000470	8	30	NM6080002SC	44	10	SD0800756TH	14	52
KM000000470	50	36	NM6080002SC	52	12	SD0801007TP	26	39
M2010110000	46	50	NM6100003SC	4	55	SD0850756TH	12	37
M2010110000	52	30	NM6100003SC	8	42	SK1382501SE	42	49
M3801476000	44	6	NM6120001SE	40	19	SK3311600SC	40	36
M4001461000	44	46	NM6160511SE	38	18	SK3381601SC	40	44
M4001461000	52	26	NS6110310SP	32	9	SK3382001SC	40	5
M4002461000	44	47	NS6110530SP	36	29	SK3413201SE	54	54
M4002461000	52	27	NS6120310SP	32	21	SK3512001SE	52	6
M4004461000	46	48	NS6150430SP	16	47	SK3513200SC	40	38
M4004461000	52	28	NS6150430SP	32	19	SL4030691SC	48	10
M4005461000	46	49	NS6660410SH	32	28	SL4030881SC	48	18
M4005461000	52	29	NS6660430SP	32	29	SL4030891SC	22	90
M4007351000	46	51	NS6680320SP	12	47	SL4032081SC	22	75
M4007351000	52	31	PC022404000	16	15	SL4033091SC	44	31
M4008351000	52	32	PJ032052503	18	48	SL4040691SC	22	93
M4008351000A	46	52	RC0560711KP	36	18	SL4040881SC	44	21
M4009351000A	46	53	RC1200001KP	8	39	SL4040891SC	2	31
M4011351000	46	55	RC1600002KP	26	44	SL4040891SC	22	95
M4011351000	52	33	RC2200002KP	26	45	SL4040891SC	24	95
M4012351000	46	56	RE0400000K0	36	19	SL4040891SC	34	4
M4012351000	52	34	RE0400000KP	20	40	SL4040891SC	44	67
M4206461000	44	11	RE0600000K0	32	8	SL4040891SC	46	67
M90175800A0	50	20·21	RO037180100	16	41	SL4041091SC	6	10
M90245800A0	50	20·21	RO080150200	2	28	SL4041091SC	44	14
MAO11532000	52	5	SB108000100	26	47	SL4041281SC	52	44
MAT80230T00	54	47	SB108000400	28	49	SL4041681SF	46	58
MAT80231T00	54	48	SB108000700	16	4	SL4041691SC	34	7
MDP170B1100	8	24	SB112000600	28	80	SL4043591SC	44	29
MDP170B1102	56	13	SB112000700	28	81	SL4052581SC	54	53
MTSHJ100003	52	7	SB112001500	8	40	SL6030642TN	20	9
NM3040520SF	44	30	SB120000800	8	10	SL6031242TN	6	23
NM6020001SC	34	10	SB120000900	10	49	SL6032092TN	34	12
NM6030001SC	34	14	SB120001000	28	68	SL6041092TN	14	49
NM6030002SN	22	53	SB125000300	26	24	SL6041292TN	22	71
NM6040000SN	32	26	SB305000100	14	50	SL6042092TN	22	72
NM6040001SC	22	82	SB307000200	8	5	SL6042092TN	28	59
NM6050001SC	2	44	SB408000200	26	33	SL6051292TN	6	40
NM6050001SC	16	28	SD0500205TH	26	28	SL6051292TN	26	18
NM6050001SC	20	43	SD0500256TH	32	1	SL6051492TN	2	17
NM6050001SC	32	41	SD0600271SP	2	38	SL6051492TN	6	28
NM6050001SE	38	17	SD0640325SP	32	20	SL6051692TN	2	10
NM6060001SC	26	41	SD0750946TH	12	42	SL6052592TN	10	50
NM6060001SC	52	41	SD0800426TP	16	25	SL6054592TN	2	42

NUMERICAL INDEX OF PARTS

PART NO	PAGE	REF NO.	PART NO	PAGE	REF NO.	PART NO	PAGE	REF NO.
SL6061692TN	16	44	SM6050802TP	14	68	SS8110422TP	10	48
SL6062092TN	4	52	SM6050802TP	32	39	SS8110520TP	28	91
SL6062092TN	8	45	SM6051202TP	14	56	SS8660610TP	8	18
SL6063092TN	28	82	SM6051402TP	14	53	SS8660610TP	32	18
SL6063092TN	40	42	SM6051602TP	12	2	SS8660810TP	28	78
SL6082092TN	42	57	SM6051802TP	16	29	SS8661030SP	28	66
SL6084092TN	42	56	SM6061200SP	22	84	SS8681650TP	8	17
SL9061291SE	40	33	SM6061200SP	32	35	SS9661120CP	12	27
SL9082091SE	40	29	SM6061610SC	38	6	SV4030601SR	46	54
SM0020401SC	20	14	SM6064002TN	52	17	SV4030601SR	52	37
SM0040801SC	2	48	SM6083502TN	44	7	TA0550604R0	48	13
SM0040801SC	4	48	SM6084002TN	52	8	TA0750404R0	12	21
SM0051201SC	36	34	SM6850802TN	26	6	TA0750704R0	12	35
SM0061601SC	42	53	SM8030412TP	34	3	TA0850604R0	2	12
SM1040652TP	26	31	SM8040412TP	12	13	TA1250406R0	2	13
SM1040852TP	20	34	SM8040802TP	22	61	TA1250705R0	2	29
SM4020401SC	6	13	SM8040802TP	28	61	TA1450404R0	2	40
SM4021201SC	6	9	SM8040802TP	36	21	WP0320500SC	26	23
SM4030401SC	36	33	SM8040802TP	44	44	WP0320501SC	6	19
SM4030801SF	46	57	SM8040802TP	52	36	WP0320501SC	34	13
SM4030801SF	52	35	SM8050502TP	16	8	WP0371026SD	34	43
SM4031201SN	22	52	SM8050502TP	36	22	WP0430800SC	20	12
SM4042501SC	2	33	SM8050552TP	34	36	WP0430800SC	32	25
SM4051055SP	2	8	SM8050612TP	28	84	WP0430801SC	14	72
SM4051405SE	38	12	SM8060602TP	12	31	WP0430801SC	16	40
SM4060801SE	36	32	SM8060612TP	12	34	WP0430801SC	20	97
SM4062001SC	52	40	SM8060612TP	26	14	WP0430801SC	22	97
SM5040655SN	34	40	SM8060812TP	8	35	WP0430801SC	24	97
SM5040655SN	36	20	SM8060812TP	16	32	WP0431005SP	52	45
SM5040855SN	20	45	SM8060812TP	28	87	WP0450826SC	2	25
SM5041055SN	2	24	SM80608A2TP	8	33	WP0450826SC	36	23
SM6020350SP	20	20	SM8061212TP	8	7	WP0451016SP	4	50
SM6020350SP	26	36	SM9030650SN	6	26	WP0482086SD	16	12
SM6030510SC	26	22	SM9061403SE	24	98	WP0531001SC	2	43
SM6030602TP	12	18	SS6090670TP	8	21	WP0531001SC	16	30
SM6040600SP	26	27	SS6110650TP	30	96	WP0531001SC	32	40
SM6040602TP	22	74	SS6111610SP	16	11	WP0550800SP	14	69
SM6040650TP	26	11	SS6151220SP	54	49	WP0611626SP	26	42
SM6040802TN	20	36	SS6151412TP	12	23	WP0612056SD	16	3
SM6040802TN	26	4	SS6660610TP	28	88	WP0621016SD	20	41
SM6040802TP	14	71	SS7080510TP	8	25	WP0621026SP	52	42
SM6041000SP	14	63	SS7110740TP	6	35	WP0641600SC	52	18
SM6041402TP	28	54	SS7110740TP	32	33	WP0641601SC	12	28
SM6041602TP	16	42	SS7111410SP	54	50	WP0641601SC	22	85
SM6042002TN	20	11	SS7681650TP	8	16	WP0820516SP	16	5

NUMERICAL INDEX OF PARTS

PART NO	PAGE	REF NO.
WP0841601SC	44	9
WP0841601SC	52	10
WP0850002SP	16	7
WP0852086SC	52	9
WP1052001SC	4	56
WP1052001SC	8	41
WP1302501SE	40	16
WP1612616SE	38	19
WS0410002KN	20	37
WS0510002KN	20	42
WS0510002KN	38	16
WS0610002KN	52	19
WS0610002KP	26	43
WS0631510KP	52	43
WS0820002KR	44	8
WS0820002KR	52	11
WS1253010KN	40	17
WS1643202KR	38	20
WZ0620550KP	2	39