

MODEL : MF-7800

List No : 1380-06

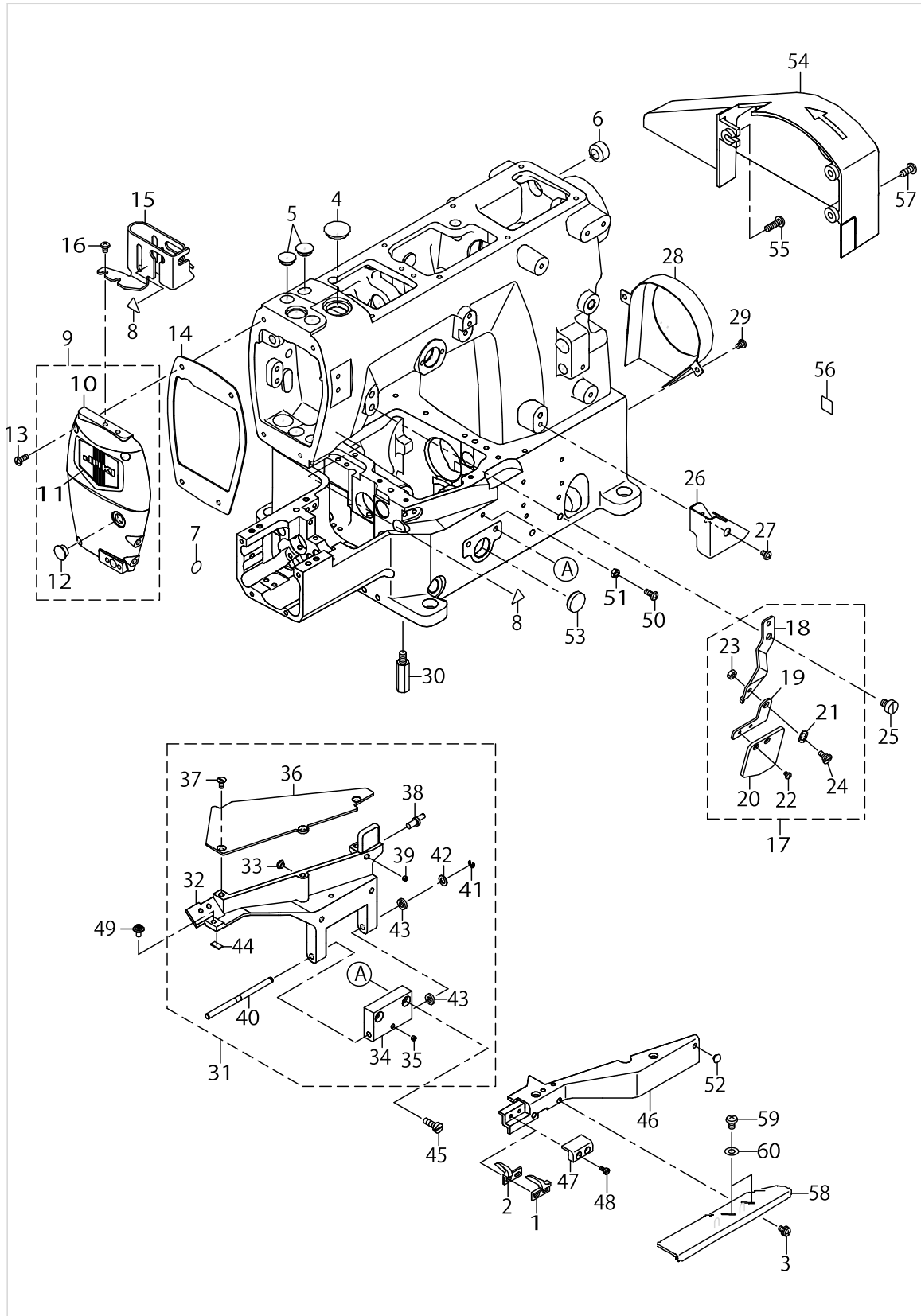
PARTS LIST

Published:09/10/2017

CONTENTS

FRAME & MISCELLANEOUS COVER COMPONENTS (1)	1
FRAME & MISCELLANEOUS COVER COMPONENTS (2)	5
MAIN SHAFT COMPONENTS	9
NEEDLE BAR & PRESSER COMPONENTS.....	13
FEED DRIVE COMPONENTS (1)	17
FEED DRIVE COMPONENTS (2)	21
THREAD TAKE-UP LEVER COMPONENTS.....	25
SPREADER COMPONENTS.....	29
LOWER THREAD CAM COMPONENTS.....	31
NEEDLE GUARD COMPONENTS.....	33
LOOPER COMPONENTS	35
THREAD TENSION COMPONENTS	39
LUBRICATION COMPONENTS	41
THREAD STAND COMPONENTS.....	45
GAUGE PARTS COMPONENTS	47
NEEDLE COOLING MECHANISM COMPONENTS.....	51
ACCESSORIES PARTS COMPONENTS	53
LIST FOR INFORMATION OF CHANGE.....	55
HOW TO MAKE USE OF THIS PARTS LIST	56

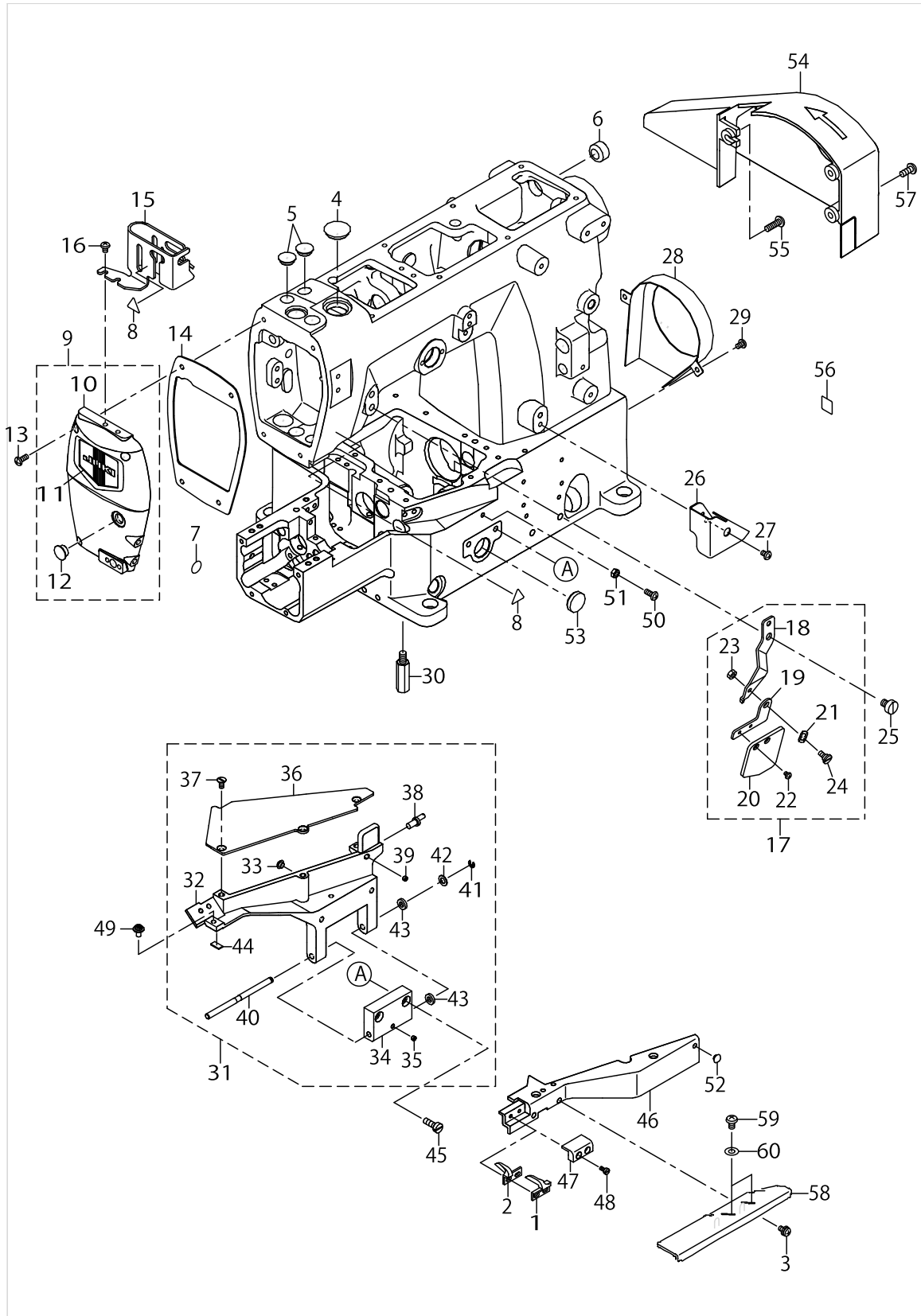
FRAME & MISCELLANEOUS COVER COMPONENTS (1)



FRAME & MISCELLANEOUS COVER COMPONENTS (1)

No.	Parts No.	Parts name	Remarks	Level	Cons	Qty
1	13438007	COVERING_GUARD_R	FOR MF-7800-K10			1
2	13438106	COVERING_GUARD_L	FOR MF-7800-K10			1
3	SL4040805SC	SCREW				2
4	TA2050406R0	RUBBER PLUG				1
5	TA1250406R0	RUBBER PLUG D=12.5 L=4				2
6	TA1701002R0	RUBBER PLUG				1
7	22901805	GROUND MARK				1
8	CM300200001	ATTENTION SEAL				2
9	13300959	ASSY_HEAD_COVER				1
10	13300900	HEAD COVER		*		1
11	22902506	FACE PLATE		*		1
12	TA1050504R0	RUBBER PLUG		*		1
13	SM4041055SP	SCREW				4
14	13301007	GASKET H				1
15	13301304	NEEDLE BAR GUARD				1
16	SM4040655SP	SCREW M4 L=6				2
17	40033518	PROTECTION_SHIELD_ASSY				1
18	40033340	BRACKET HOLDER		*		1
19	40033341	BRACKET		*		1
20	13301700	PROTECTION SHIELD		*		1
21	WZ0641510KP	WAVED WASHER 6.4X11X0.3		*		1
22	SM4030455SN	SCREW		*		2
23	NM6040001SP	NUT M4X0.7		*		1
24	SD0640246SP	HINGE SCREW D=6.35 H=2.4		*		1
25	SM6060800SP	SCREW M6 L=8				1
26	13301403	THREAD COVER				1
27	SM4040655SP	SCREW M4 L=6				1
28	13302401	LMS_FAN_COVER				1
29	SM4040655SP	SCREW M4 L=6				2
30	13301809	SUPPORT STUD				4
31	13400957	SWING_DOWN_COVER_ASSY				1
32	13400908	SWING DOWN COVER		*		1
33	13302302	RUBBER BUMPER		*		1
34	13401203	HINGE		*		1
35	SM8040360TP	SCREW		*		1
36	13401005	CLOTH PLATE FRONT		*		1
37	SM1040800SP	SCREW		*		3
38	13402706	PIN FOR COVER		*		1
39	SM8040360TP	SCREW		*		1
40	13403506	PIN_FOR_S_D_COVER		*		1
41	RE0300000K0	E-RING 3		*		1
42	WP0550800SP	WASHER 5.5X10X0.8		*		1
43	13302708	RUBBER_WASHER		*		2
44	13403605	RUBBER_PLATE		*		1
45	SM6051400SP	SCREW				2
46	13402904	BRACKET N				1
47	13401104	BRACKET	FOR MF-7800-U10			1

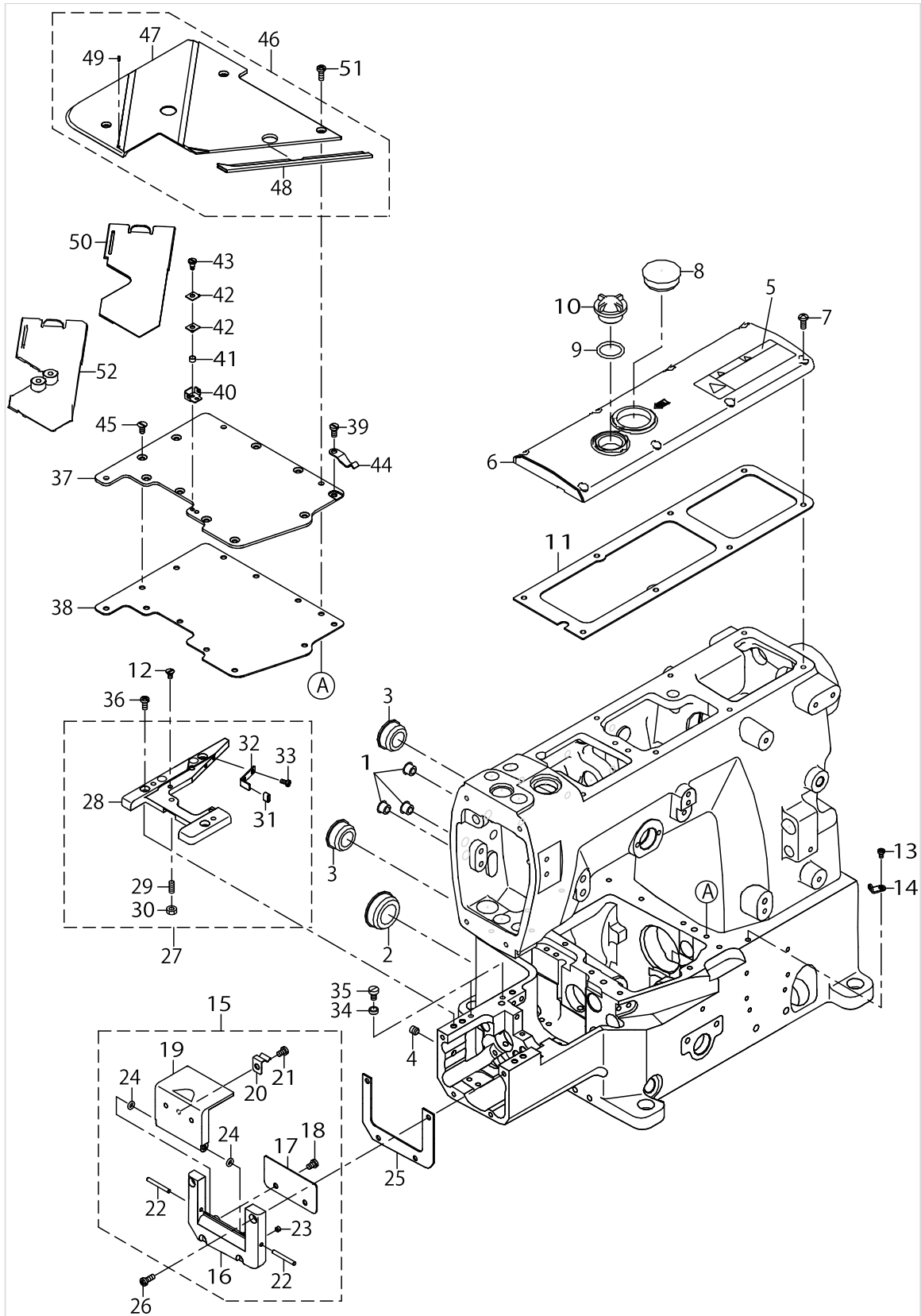
FRAME & MISCELLANEOUS COVER COMPONENTS (1)



FRAME & MISCELLANEOUS COVER COMPONENTS (1)

No.	Parts No.	Parts name	Remarks	Level	Cons	Qty
48	SM6030600SP	SCREW M3X0.5 L=6				2
49	SL4040805SC	SCREW				2
50	SM4041055SP	SCREW				1
51	NM6040001SP	NUT M4X0.7				1
52	13302302	RUBBER BUMPER				1
53	TA1900502R0	RUBBER PLUG				1
54	40023349	BELT_COVER_ASSY				1
55	SM4051655SP	SCREW M5 L=16				1
56	CM600100101	WEEE MARK LABEL S				1
57	SM4051255SP	SCREW.,M5 L=12.				2
58	40022406	BINDER_BRACKET				1
59	SM5050855SN	SCREW M5 L=8				2
60	WP0550836SC	WASHER 5.5X12X0.8				2

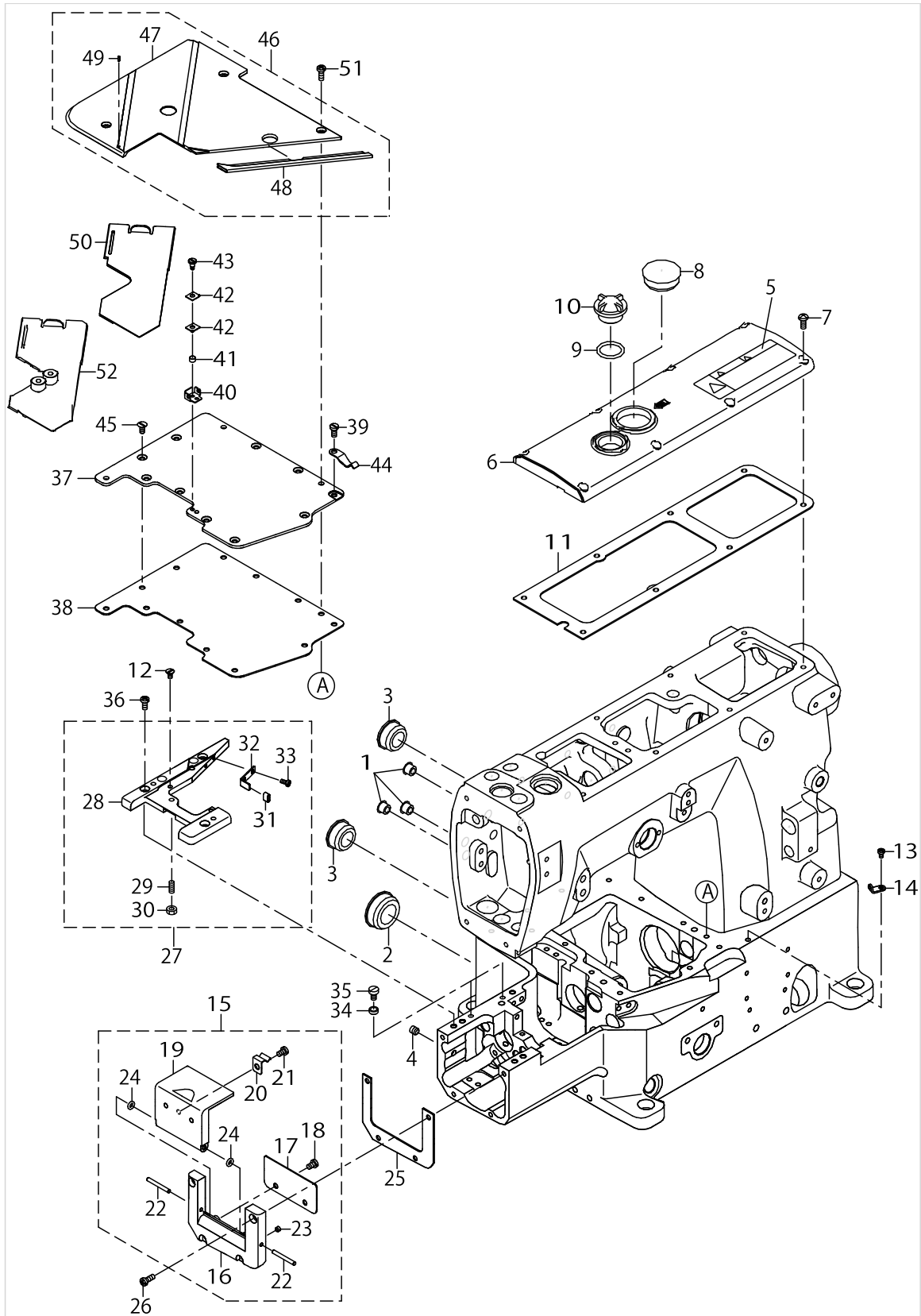
FRAME & MISCELLANEOUS COVER COMPONENTS (2)



FRAME & MISCELLANEOUS COVER COMPONENTS (2)

No.	Parts No.	Parts name	Remarks	Level	Cons	Qty
1	TA0850604R0	RUBBER PLUG				3
2	10753309	WINDOW PLATE RUBBER PLUG				1
3	TA2351004R0	RUBBER PLUG				2
4	SM8060612TP	SCREW M6 L=6				2
5	CM3002001B1	SAFETY LABEL 12				1
6	13300702	TOP COVER				1
7	SM4041055SP	SCREW				8
8	10753309	WINDOW PLATE RUBBER PLUG				1
9	RO195240100	RUBBER RING				1
10	22924708	OIL SIGHT WINDOW				1
11	13300801	GASKET T				1
12	13302203	SCREW				2
13	13402201	LOOPER THD GUIDE				1
14	SM4040655SP	SCREW M4 L=6				1
15	13401757	SIDE_COVER_ASSY				1
16	13401500	CYLINDER COVER		*		1
17	13401807	CYLINDER COVER PLATE		*		1
18	SM4040655SP	SCREW M4 L=6		*		2
19	13401708	SIDE COVER		*		1
20	13401906	LATCH SPRING 2		*		1
21	SM4040655SP	SCREW M4 L=6		*		1
22	PH0300252C0	PARALLEL PIN		*		2
23	SM8040360TP	SCREW		*		2
24	RO037180100	RUBBER RING		*		2
25	13401609	GASKET				1
26	SM4041055SP	SCREW				4
27	13400650	ASSY_TP_SUPPORT				1
28	13400601	THROAT PLATE SUPPORT		*		1
29	SM8041012TP	SCREW M4 L=10		*		1
30	NM6040001SP	NUT M4X0.7		*		1
31	23630007	TUBE		*		0.01
32	13403407	SLIDE_COVER_SUPPORT		*		1
33	SM4030655SP	SCREW		*		2
34	40082196	ADJUSTING_COLLAR				2
35	SM6040750TP	SCREW M4 L=7				2
36	SM4040855SP	SCREW				3
37	13400700	BED TOP COVER				1
38	13400809	GASKET B				1
39	SM6040860TP	SCREW M4 L=8				1
40	13402300	NIPPER PLATE				1
41	13402805	SPRING				1
42	13402409	NIPPER SPRING PLATE				2
43	13326202	SHOULDER SCREW				1
44	13402003	LATCH SPRING				1
45	SM1040860SP	SCREW				9
46	13401351	CLOTH_PLATE_ASSY				1
47	13401302	CLOTH PLATE REAR		*		1

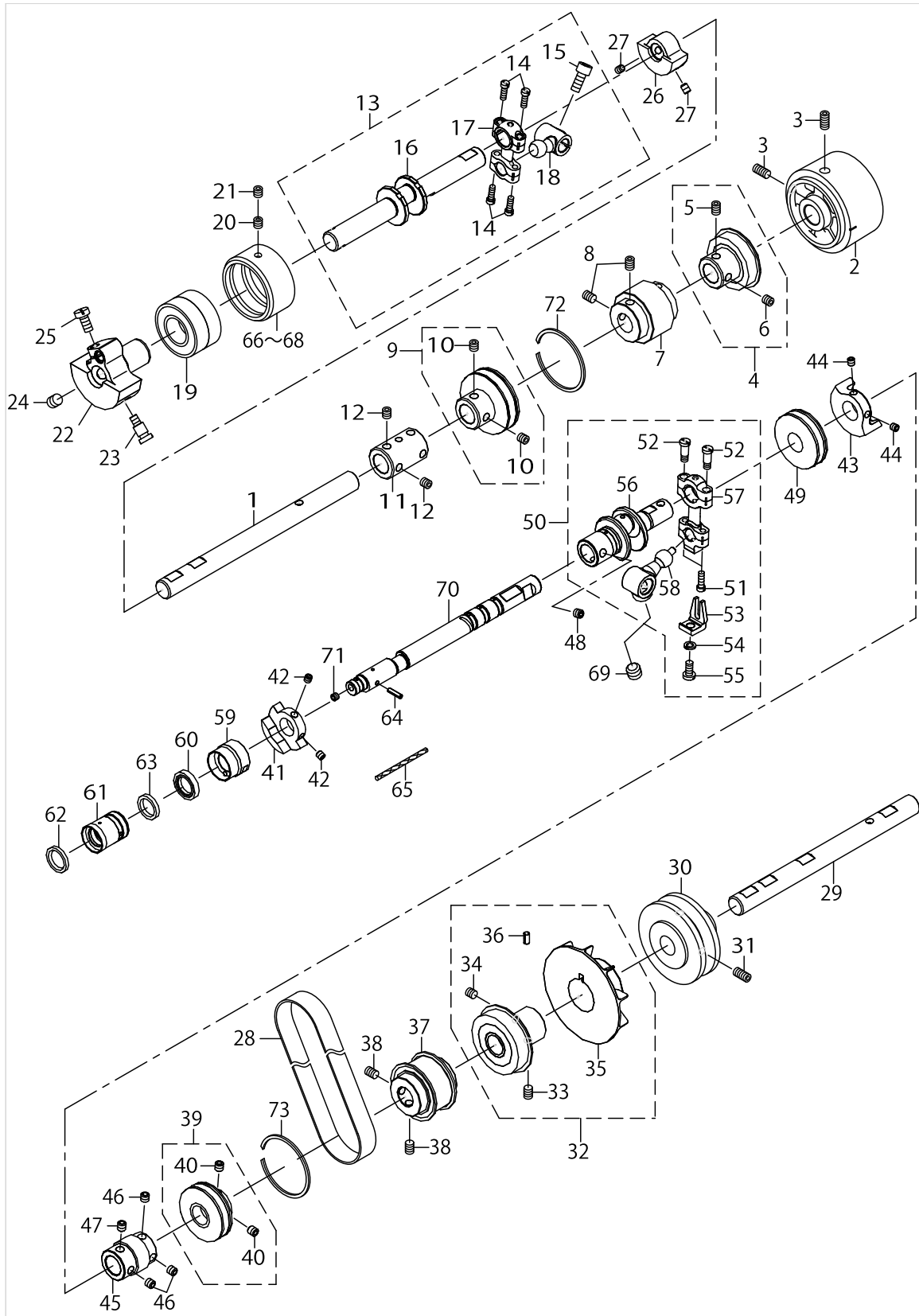
FRAME & MISCELLANEOUS COVER COMPONENTS (2)



FRAME & MISCELLANEOUS COVER COMPONENTS (2)

No.	Parts No.	Parts name	Remarks	Level	Cons	Qty
48	13402102	THD GUIDE		*		1
49	PS0150042K0	SPRING PIN 1.5X 4		*		1
50	13401401	SLIDE COVER				1
51	SM4041055SP	SCREW				3
52	40053156	SLIDE_COVER_ASSY_U10_AH	FOR HEM GUIDE(OPTIONAL PARTS)			1

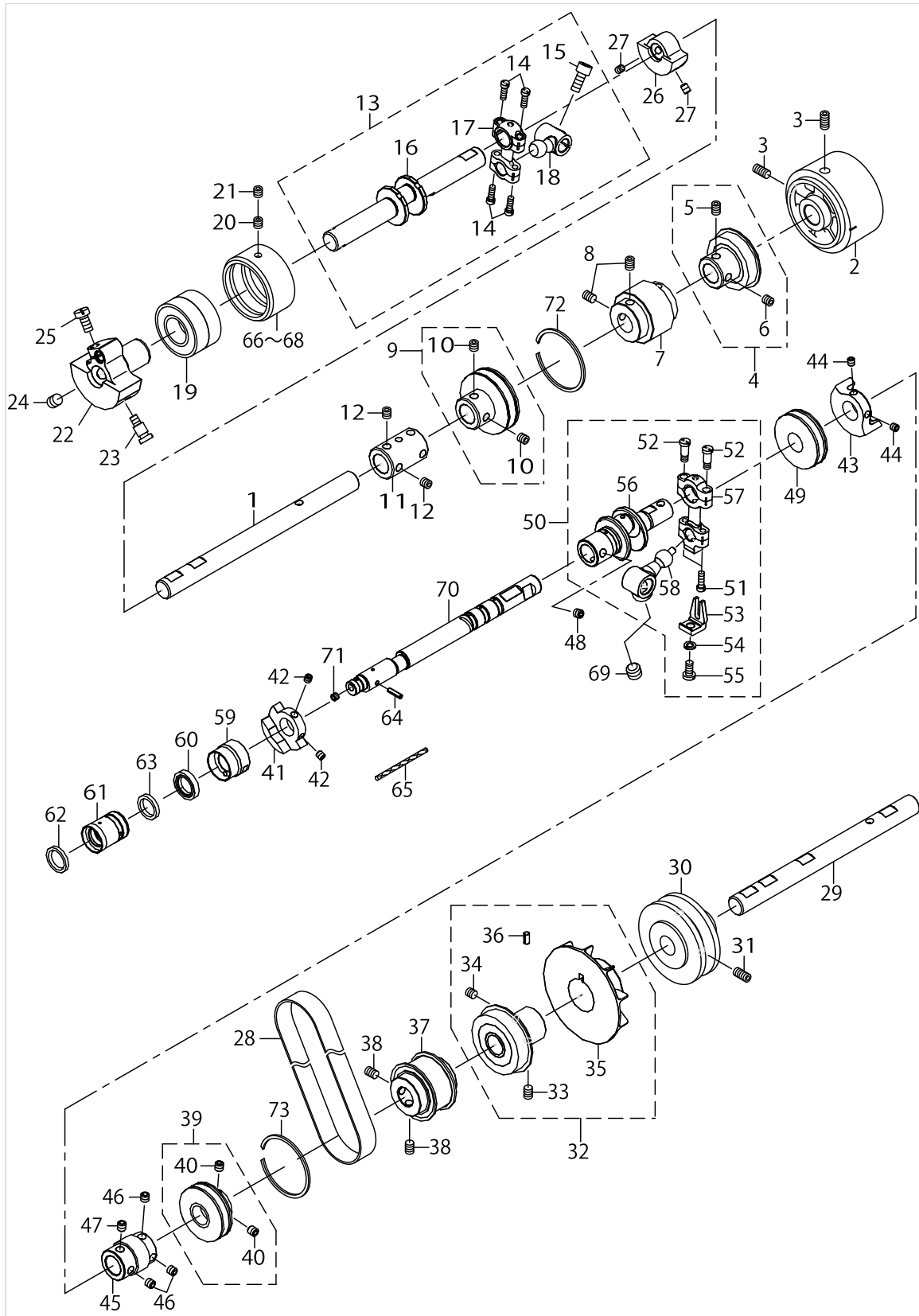
MAIN SHAFT COMPONENTS



MAIN SHAFT COMPONENTS

No.	Parts No.	Parts name	Remarks	Level	Cons	Qty
1	13307004	UPPER MAINSHAFT RIGHT				1
2	13406608	UPPER_PULLEY				1
3	SM8061212TP	SCREW M6X12				2
4	13307251	BEARING ASSY A				1
5	SM8060842TP	SCREW M6 L=8		*		1
6	SM8060612TP	SCREW M6 L=6		*		1
7	13307301	UMS_SPROCKET				1
8	SM8060812TP	SCREW M6 L=8				4
9	13307459	BEARING ASSY B				1
10	SM8060612TP	SCREW M6 L=6		*		2
11	13307509	JOINT				1
12	SM8060612TP	SCREW M6 L=6				4
13	13307657	UMS_LEFT_ROD_ASSY				1
14	13324108	SCREW		*		4
15	SM6061402TP	SCREW M6 L=14		*		1
16	13307608	UPPER MAINSHAFT LEFT		*		1
17	13324009	ROD		*		1
18	13324207	CRANK		*		1
19	SB120001900	BEARING				1
20	SM8060842TP	SCREW M6 L=8				1
21	SM8060612TP	SCREW M6 L=6				1
22	13307707	COUNTER WEIGHT				1
23	13309208	SCREW_FOR_COUNTERWEIGHT				1
24	SM8080812TP	SCREW M8X8				1
25	SM6061200SP	SCREW				1
26	13408307	BALANCE_WEIGHT_UMS				1
27	SM8060812TP	SCREW M6 L=8				2
28	13406905	TIMING_BELT				1
29	13407101	LOWER MAINSHAFT RIGHT				1
30	13406707	LOWER_PULLEY				1
31	SM8061212TP	SCREW M6X12				2
32	13309158	BEARING_ASSY_F				1
33	SM8060842TP	SCREW M6 L=8		*		1
34	SM8060612TP	SCREW M6 L=6		*		1
35	13309000	LMS_FAN		*		1
36	PS0400082KP	SPRING PIN		*		1
37	13308309	LMS_SPROCKET				1
38	SM8060812TP	SCREW M6 L=8				4
39	13407457	BEARING_ASSY_E				1
40	SM8060612TP	SCREW M6 L=6		*		2
41	13408406	BALANCE_WEIGHT_LMS_1				1
42	SM8050512TP	SCREW				2
43	13408505	BALANCE_WEIGHT_LMS_2				1
44	SM8050512TP	SCREW				2
45	13407507	JOINT GEAR				1
46	SM8060552TP	SCREW M6 L=5				3
47	SM8060842TP	SCREW M6 L=8				1

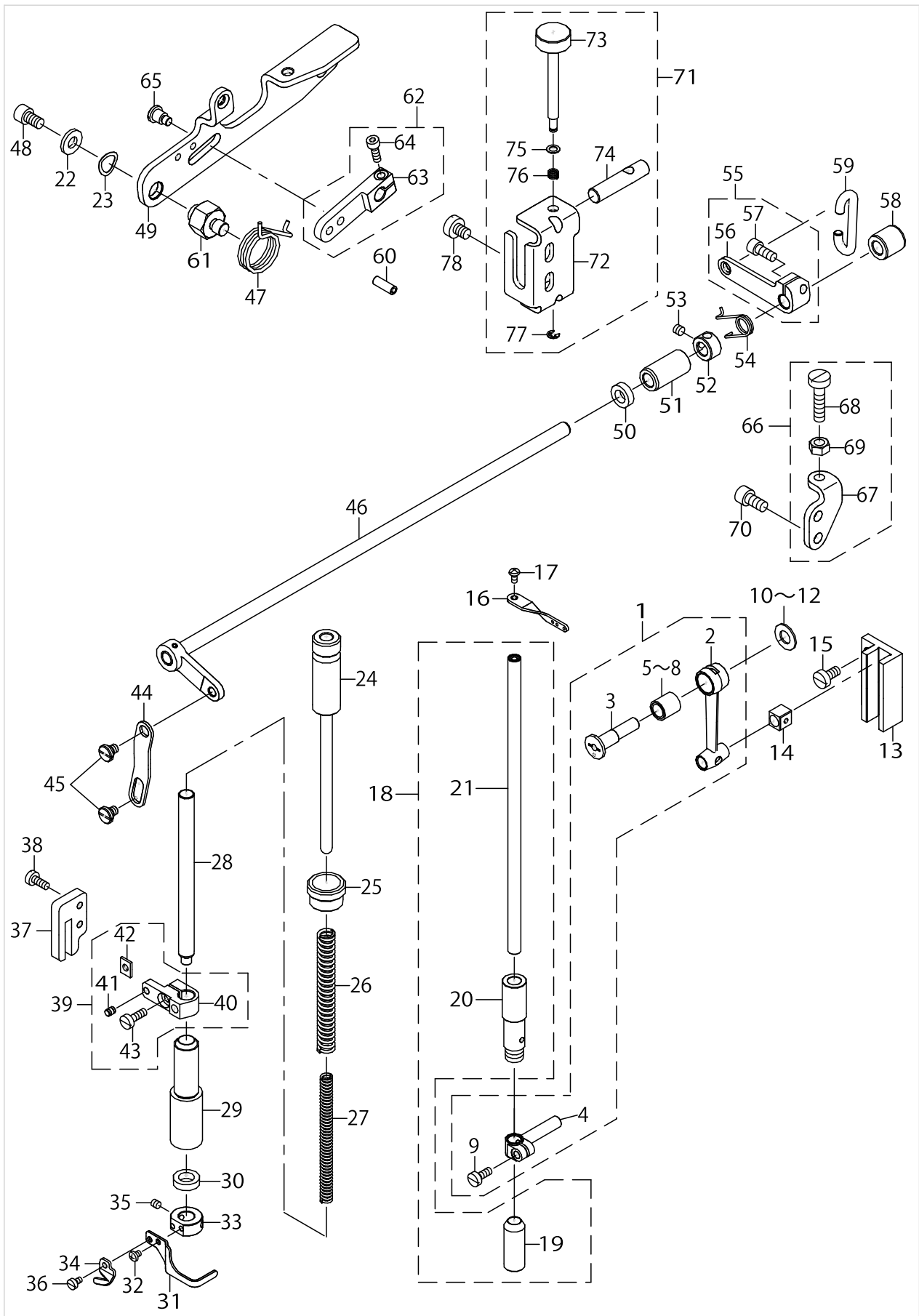
MAIN SHAFT COMPONENTS



MAIN SHAFT COMPONENTS

No.	Parts No.	Parts name	Remarks	Level	Cons	Qty
48	SM8060552TP	SCREW M6 L=5				2
49	SB115002300	BEARING				1
50	13407259	CRANK_JOINT_ROD_ASSY				1
51	13324108	SCREW		*		2
52	SD0550906TP	SHOULDER SCREW		*		2
53	13337100	GUIDE LOOPER ROD		*		1
54	WS0510002KP	SPRING WASHER 5.1X9.2X1.3		*		1
55	SM4051055SP	SCREW		*		1
56	13407200	CRANK JOINT		*		1
57	13424205	ROD		*		1
58	13424106	CRANK		*		1
59	40088113	BUSHING_LMS_MIDDLE				1
60	13408703	OIL_SEAL				1
61	13407804	BUSHING LMS LEFT				1
62	13407903	OIL SEAL				1
63	13408604	FELT_LMS_LEFT_BUSH				1
64	PS0300122KH	SPRING PIN 3X12				1
65	CQ300000001	OIL WICK				0.05
66	13307806	HOUSING A	SELECTIVE PARTS			1
67	13309307	HOUSING B	SELECTIVE PARTS			1
68	13309406	HOUSING C	SELECTIVE PARTS			1
69	SM8550952TP	SCREW				1
70	13407606	LOWER MAINSHAFT LEFT				1
71	SM8050412TP	SCREW M5 L=4				1
72	RC4881514KP	C-RING				1
73	RC4381514KP	C-RING				1

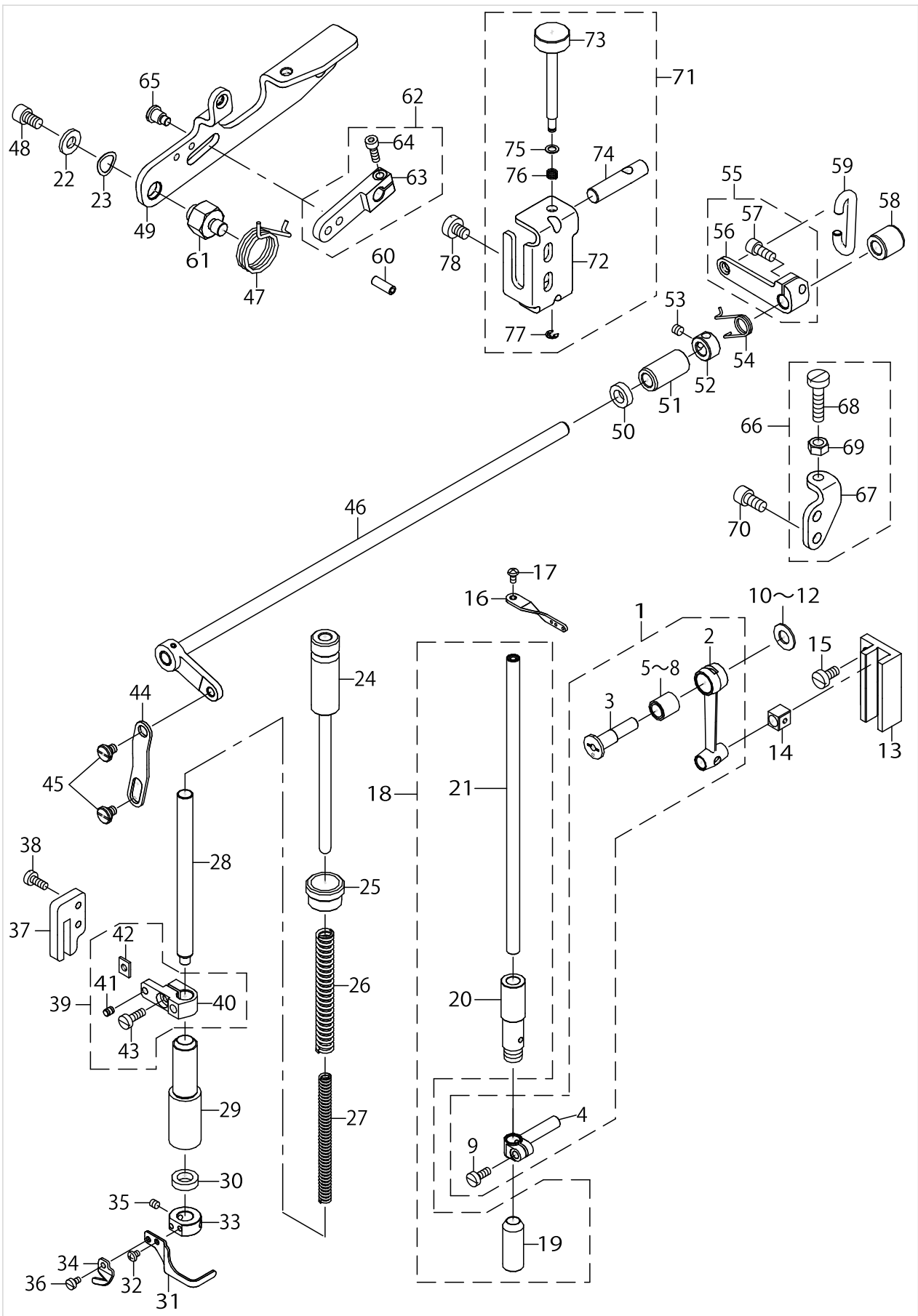
NEEDLE BAR & PRESSER COMPONENTS



NEEDLE BAR & PRESSER COMPONENTS

No.	Parts No.	Parts name	Remarks	Level	Cons	Qty
1	13311253	ASSY_NEEDLE_MECH				1
2	13311204	CONNECTING ROD		*		1
3	13311006	ECCENTRIC PIN		*		1
4	13311303	NEEDLE BAR CLAMP		*		1
5	SB30800110A	BEARING	SELECTIVE PARTS	*		1
6	SB30800110B	BEARING	SELECTIVE PARTS	*		1
7	SB30800110C	BEARING	SELECTIVE PARTS	*		1
8	SB30800110D	BEARING	SELECTIVE PARTS	*		1
9	SM6041000SP	SCREW M4 L=10		*		1
10	13312103	THRUST_WASHER	SELECTIVE PARTS			1
11	13312202	THRUST_WASHER	SELECTIVE PARTS			1
12	13312301	THRUST_WASHER	SELECTIVE PARTS			1
13	13311600	NEEDLE BAR GUIDE				1
14	13311501	SLIDE BLOCK				1
15	SM6051000SP	SCREW				3
16	13326806	NEEDLE BAR EYELET				1
17	SM4030655SP	SCREW				1
18	13311956	ASSY_BUSHING_NB				1
19	13311907	BUSHING NB LOWER		*		1
20	13311808	BUSHING NB UPPER		*		1
21	13311451	NEEDLE BAR ASSY		*		1
22	WP0702026SP	WASHER 7X15X2				1
23	WZ1052010KP	WAVED WASHER				1
24	40070573	ADJ SCREW P B ASSY				1
25	13313101	LOCKING NUT				1
26	13313309	SPRING PRESSER BAR A				1
27	13313408	SPRING PRESSER BAR B				1
28	40070559	PRESSER BAR				1
29	13313705	BUSHING PRESSER BAR				1
30	13315908	OIL SEAL				1
31	40018259	FINGER_GUARD				1
32	SM4030455SP	SCREW				1
33	13313606	COLLAR				1
34	13316302	THREAD_TRIMMER				1
35	SM8040412TP	SET SCREW M4 L=4				2
36	SM6030500SN	SCREW M3 L=5				1
37	13313804	GUIDE PLATE				1
38	SM6041000SP	SCREW M4 L=10				2
39	13313952	P_B_BRACKET_ASSY				1
40	13313903	PRESSER BAR BRACKET		*		1
41	13316203	P_B_BRACKET_PIN		*		1
42	13333208	WASHER		*		1
43	SM6041200SP	SCREW M4 L=12		*		1
44	13314109	LINK				1
45	SD0700206TP	SHOULDER SCREW				2
46	13314356	ASSY LIFTER SHAFT				1
47	13315205	SPRING LIFTER LEVER				1

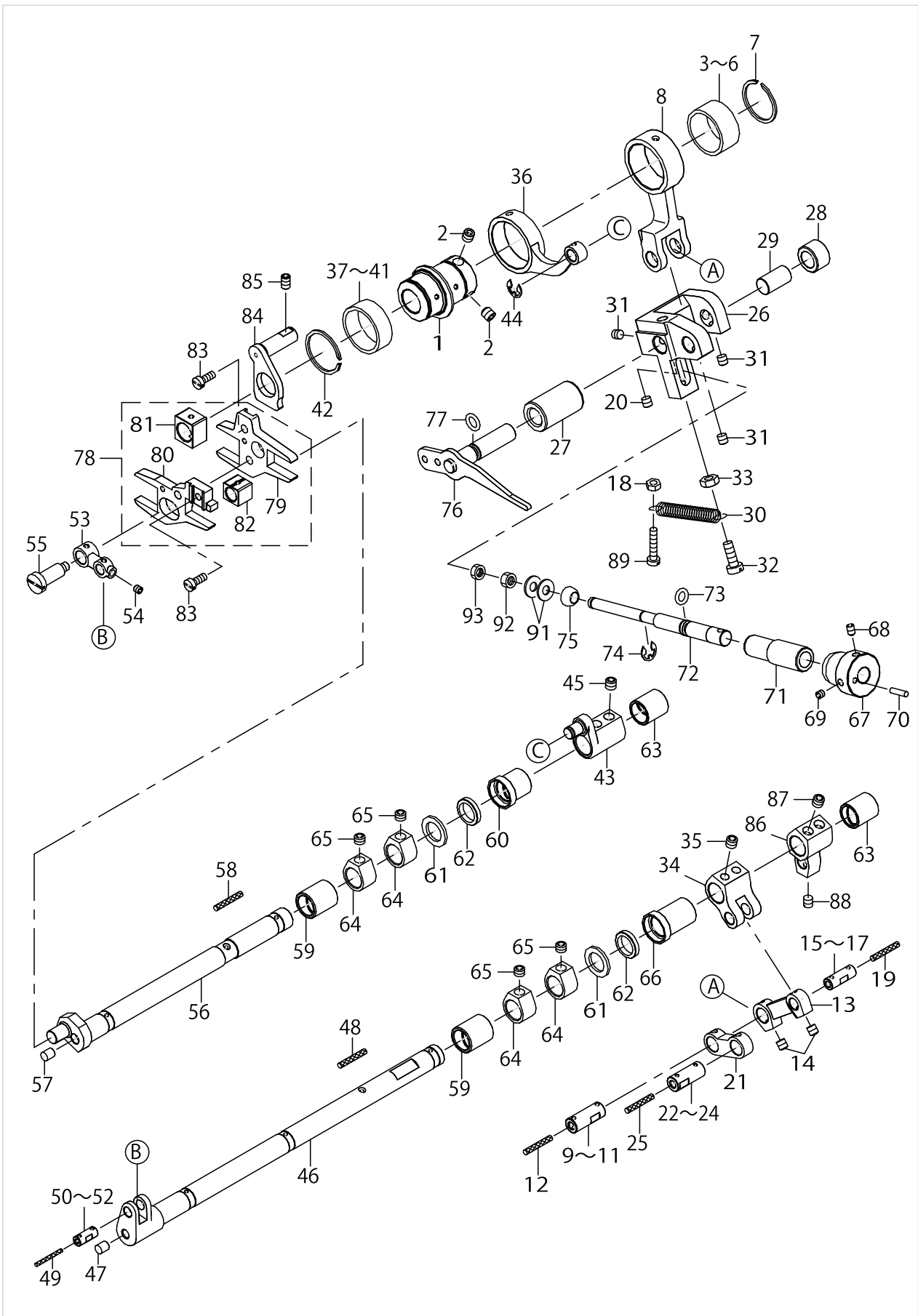
NEEDLE BAR & PRESSER COMPONENTS



NEEDLE BAR & PRESSER COMPONENTS

No.	Parts No.	Parts name	Remarks	Level	Cons	Qty
48	SM6061002TP	SCREW M6 L=10				1
49	13315007	LIFTER LEVER				1
50	23537202	HOOK SHAFT OIL SEAL				1
51	13314406	BUSHING LIFTER FRONT				1
52	CS0800881TP	THRUST COLLAR				1
53	SM8050412TP	SCREW M5 L=4				2
54	13314802	SPRING PF LIFT				1
55	13314752	LIFTER_SHAFT_LEVER_ASSY				1
56	13314703	LIFTER SHAFT LEVER		*		1
57	SM6051202TP	SCREW M5X0.8 L=12		*		1
58	13314505	BUSHING LIFTER REAR				1
59	13314901	LIFTER HOOK				1
60	PS0500142KP	SPRING PIN				1
61	13315106	LIFTER LEVER HOLDER				1
62	13315353	TENS_RELEASE_LEVER_ASSY				1
63	13315304	TENSION RELEASE LEVER		*		1
64	SM6041202TP	SCREW M4X0.7 L=12		*		1
65	SD0700586TP	SHOULDER SCREW				1
66	13315551	STOPPER_ASSY				1
67	13315502	LIFTER LEVER STOPPER		*		1
68	SM6062550TP	SCREW M6 L=25		*		1
69	NM6060001CP	NUT M6		*		1
70	SM6061202TP	SCREW M6 L=12				2
71	13315650	MINUTE_LIFTING_ASSY				1
72	13315601	BRACKET		*		1
73	13315700	SCREW		*		1
74	13315809	SLIDER		*		1
75	WP0460556SD	WASHER 4.6X7.5X0.5		*		1
76	13123302	ADJUSTING SPRING		*		1
77	RE0300000K0	E-RING 3		*		1
78	SM6060800SP	SCREW M6 L=8				2

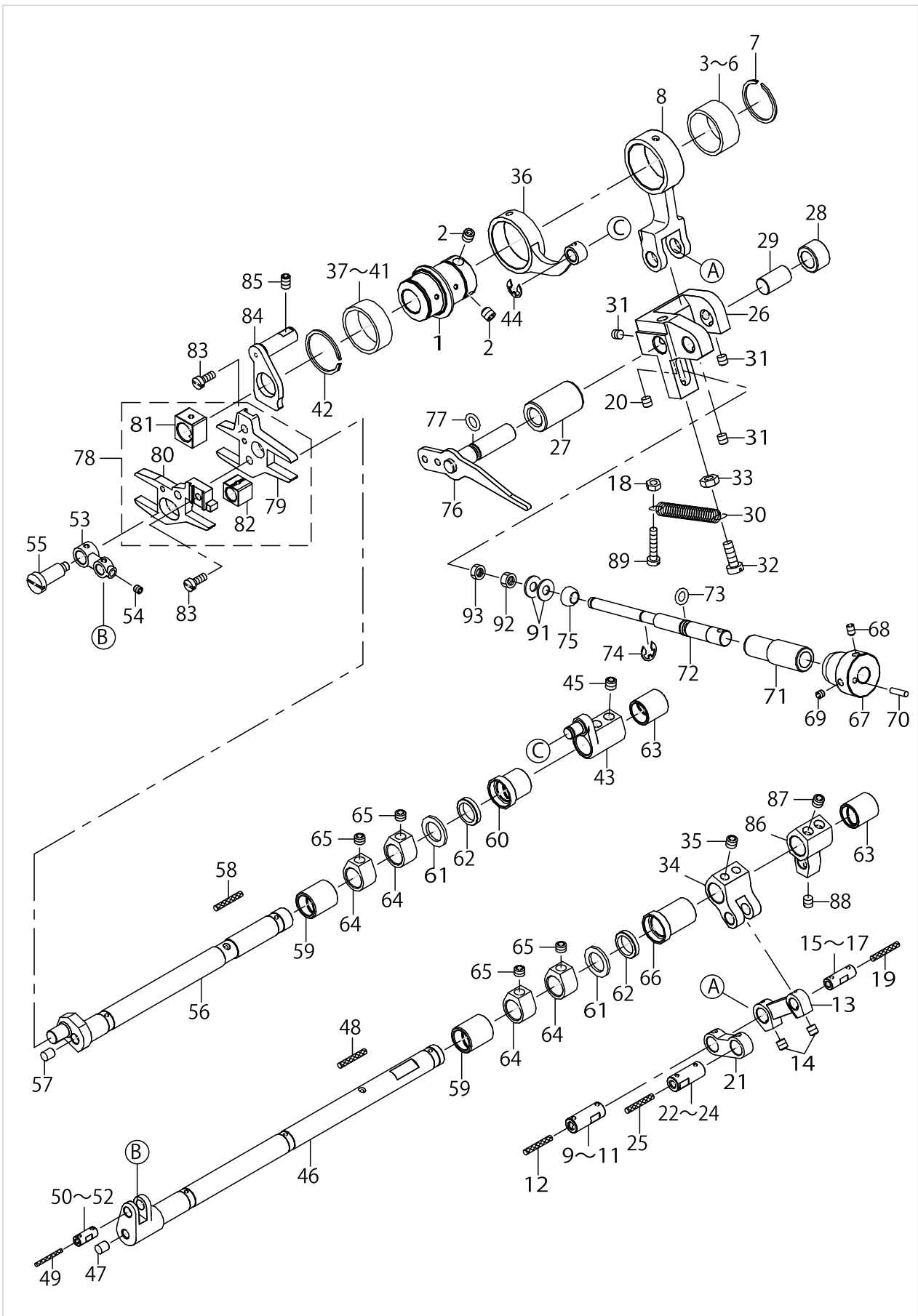
FEED DRIVE COMPONENTS (1)



FEED DRIVE COMPONENTS (1)

No.	Parts No.	Parts name	Remarks	Level	Cons	Qty
1	13410006	FEED ECCENTRIC				1
2	SM8060612TP	SCREW M6 L=6				2
3	B1426180A00	NEEDLE BEARING (A)	SELECTIVE PARTS			1
4	B1426180B00	NEEDLE BEARING (B)	SELECTIVE PARTS			1
5	B1426180C00	NEEDLE BEARING (C)	SELECTIVE PARTS			1
6	B1426180D00	NEEDLE BEARING (D)	SELECTIVE PARTS			1
7	RC2251213KP	C-RING				1
8	13410105	CRANK_ROD				1
9	13323308	FEED_ADJ_LINK_PIN_A	SELECTIVE PARTS			1
10	13323407	FEED_ADJ_LINK_PIN_B	SELECTIVE PARTS			1
11	13323506	FEED_ADJ_LINK_PIN_C	SELECTIVE PARTS			1
12	CQ303000000	OIL WICK				0.07
13	13410204	MAIN ADJ LINK				1
14	SM8050512TP	SCREW				2
15	13318704	MAIN FEED CRANK PIN A	SELECTIVE PARTS			1
16	13318803	MAIN FEED CRANK PIN B	SELECTIVE PARTS			1
17	13318902	MAIN FEED CRANK PIN C	SELECTIVE PARTS			1
18	NM6040001SP	NUT M4X0.7				1
19	CQ303000000	OIL WICK				0.04
20	SM8050512TP	SCREW				1
21	13317300	ADJUST LINK				1
22	13410600	FEED ADJ LINK PIN A	SELECTIVE PARTS			1
23	13410709	FEED ADJ LINK PIN B	SELECTIVE PARTS			1
24	13410808	FEED ADJ LINK PIN C	SELECTIVE PARTS			1
25	CQ303000000	OIL WICK				0.07
26	13415708	FEED_ADJ_BLOCK				1
27	13411004	BUSHING MAIN FEED ADJ				1
28	13415807	BUSHING_MAIN_FEED_ADJ				1
29	13415906	SHAFT_FEED_ADJ_BLOCK				1
30	B2546232000	PRESSURE SPRING				1
31	SM8050512TP	SCREW				4
32	SM6051400SP	SCREW				1
33	NM6050001SP	NUT M5				1
34	13411509	MAIN_FEED_CRANK				1
35	SM8060552TP	SCREW M6 L=5				2
36	13414305	FEED LIFT ROD				1
37	12116604	NEEDLE BEARING	SELECTIVE PARTS			1
38	12116703	NEEDLE BEARING B	SELECTIVE PARTS			1
39	12116802	NEEDLE BEARING.,C.	SELECTIVE PARTS			1
40	12116901	NEEDLE BEARING.,D.	SELECTIVE PARTS			1
41	12117008	NEEDLE BEARING.,E.	SELECTIVE PARTS			1
42	B1248280000	STOP RING				1
43	13414404	FEED LIFT LEVER				1
44	RE0500000K0	E-RING				1
45	SM8060552TP	SCREW M6 L=5				2
46	13411608	MAIN FEED SHAFT				1
47	TA0500601M0	PLUG D=5X5.4 L=6				1

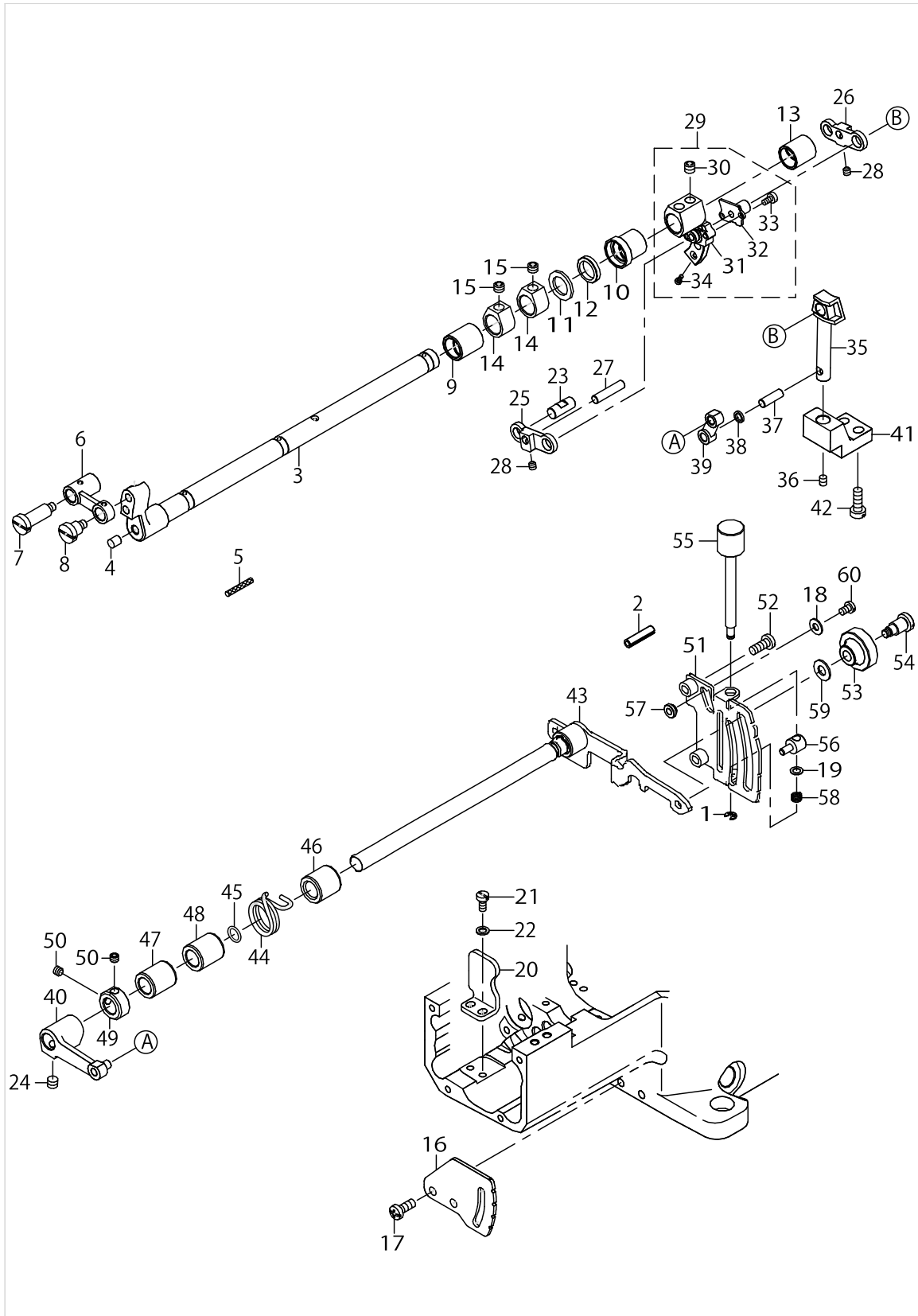
FEED DRIVE COMPONENTS (1)



FEED DRIVE COMPONENTS (1)

No.	Parts No.	Parts name	Remarks	Level	Cons	Qty
48	CQ300000001	OIL WICK				1
49	CQ202000000	OIL WICK				0.6
50	13412002	MAIN FEED LINK PIN A	SELECTIVE PARTS			1
51	13412101	MAIN FEED LINK PIN B	SELECTIVE PARTS			1
52	13412200	MAIN FEED LINK PIN C	SELECTIVE PARTS			1
53	13411905	MAIN FEED LINK				1
54	SM8040412TP	SET SCREW M4 L=4				1
55	SD0801636TH	SHOULDER SCREW				1
56	13414503	FEED LIFT SHAFT				1
57	TA0500601M0	PLUG D=5X5.4 L=6				1
58	CQ300000001	OIL WICK				0.67
59	13411707	BUSHING FEED MECH				2
60	13409206	BUSHING_FEED_MECH				1
61	13409107	WASHER				2
62	E3025721000	OIL SEAL				2
63	13415500	BUSHING_FEED_MECH				2
64	13411806	COLLAR				4
65	SM8060412TP	SCREW				4
66	13408802	BUSHING_FEED_MECH				1
67	13318001	KNOB FEED ADJUST				1
68	SM8040602TP	SCREW M4X0.7 L=6				1
69	SM8040412TP	SET SCREW M4 L=4				1
70	B3215470000	PIN				1
71	13411400	BUSHING FEED ADJ				1
72	13411301	SHAFT FEED ADJ				1
73	RO055200100	RUBBER RING				1
74	RE0500000K0	E-RING				1
75	13318308	STOPPER FEED ADJUST				1
76	13411152	INDICATOR ASSY				1
77	RO068190100	RUBBER RING				1
78	13413950	FEED_BAR_ASSY				1
79	13413901	MAIN FEED BAR		*		1
80	13414008	DIFF FEED BAR		*		1
81	13413703	SLIDE BLOCK 1		*		1
82	13413802	SLIDE BLOCK 2		*		1
83	SM6041000SP	SCREW M4 L=10				2
84	13414107	FEED BAR GUIDE 1				1
85	SM8050812TP	SCREW M5X8				1
86	13413307	DIFF_FEED_CRANK				1
87	SM8060552TP	SCREW M6 L=5				2
88	SM8050512TP	SCREW				1
89	SM6042000SP	SCREW				1
90	NM6040001SP	NUT M4X0.7				1
91	13120605	WASHER				2
92	NM6050001SC	NUT M5				1
93	NM6050003SC	NUT M5X0.8				1

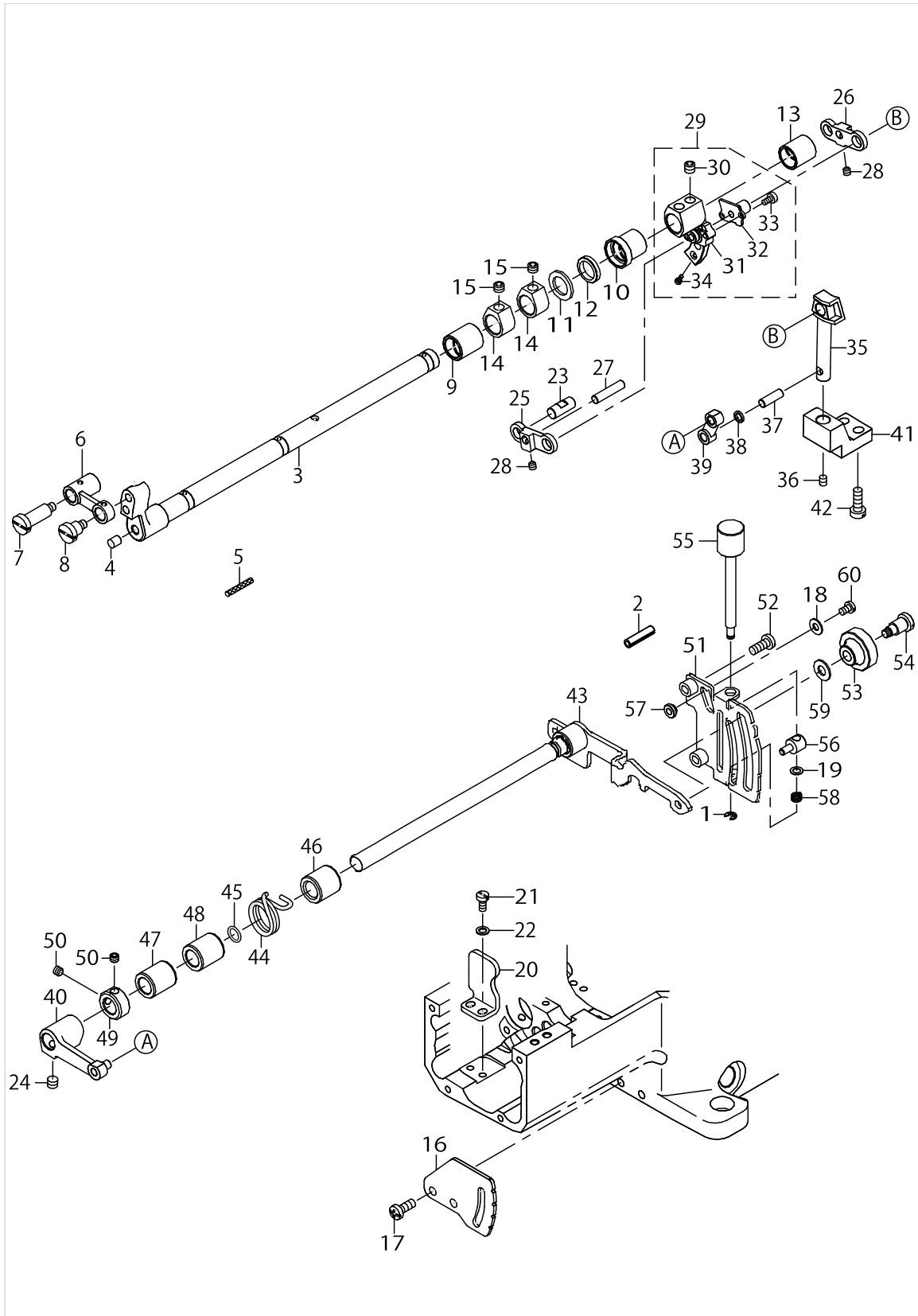
FEED DRIVE COMPONENTS (2)



FEED DRIVE COMPONENTS (2)

No.	Parts No.	Parts name	Remarks	Level	Cons	Qty
1	RE030000K0	E-RING 3				1
2	PS0500202KP	SPRING PIN 5X20				1
3	13413406	DIFF FEED SHAFT				1
4	TA0500601M0	PLUG D=5X5.4 L=6				1
5	CQ300000001	OIL WICK				1
6	13413604	DIFF FEED LINK				1
7	SD0801866TH	SHOULDER SCREW				1
8	SD0800626TH	SHOULDER SCREW				1
9	13411707	BUSHING FEED MECH				1
10	13409206	BUSHING_FEED_MECH				1
11	13409107	WASHER				1
12	E3025721000	OIL SEAL				1
13	13415500	BUSHING_FEED_MECH				1
14	13411806	COLLAR				2
15	SM8060412TP	SCREW				2
16	13411202	PLATE MAIN FEED ADJ				1
17	SM4051255SP	SCREW.,M5 L=12.				2
18	WP0450826SC	WASHER 4.5X10X0.8				1
19	WP0460556SD	WASHER 4.6X7.5X0.5				1
20	13414206	FEED BAR GUIDE 2				1
21	SM6040800SP	SCREW				2
22	WP0450846SP	WASHER				2
23	13409909	DIFF_FEED_CRANK_PIN				1
24	SM8060552TP	SCREW M6 L=5				2
25	13409602	DIFF_DRIVE_LINK_L				1
26	13409701	DIFF_DRIVE_LINK_R				1
27	13409800	DIFF_LINK_PIN				1
28	SM8040412TP	SET SCREW M4 L=4				2
29	13416052	DIFF_FEED_ARM_ASSY				1
30	SM8060552TP	SCREW M6 L=5		*		2
31	13416102	DIFF_FEED_PIN_1		*		1
32	13416201	DIFF_FEED_PIN_2		*		1
33	SM6030650TP	SCREW		*		2
34	SM4850455SP	SCREW		*		1
35	13416458	SLIDER_GUIDE_ASSY				1
36	SM8040512TP	SCREW				1
37	13416508	PIN_DIFF_ADJ				1
38	13412705	SPACER				1
39	13413208	DIFF ADJ LINK				1
40	13416854	DIFF_ADJ_LEVER_ASSY				1
41	13416706	SLIDER_GUIDE_BLOCK				1
42	SM6051400SP	SCREW				2
43	40040154	DIFF_ADJ_LEVER_ASSY				1
44	40040208	TORSION_SPRING				1
45	RO068190100	RUBBER RING				1
46	13415104	BUSHING FEED ADJ				1
47	13414701	BUSHING FEED ADJ				1

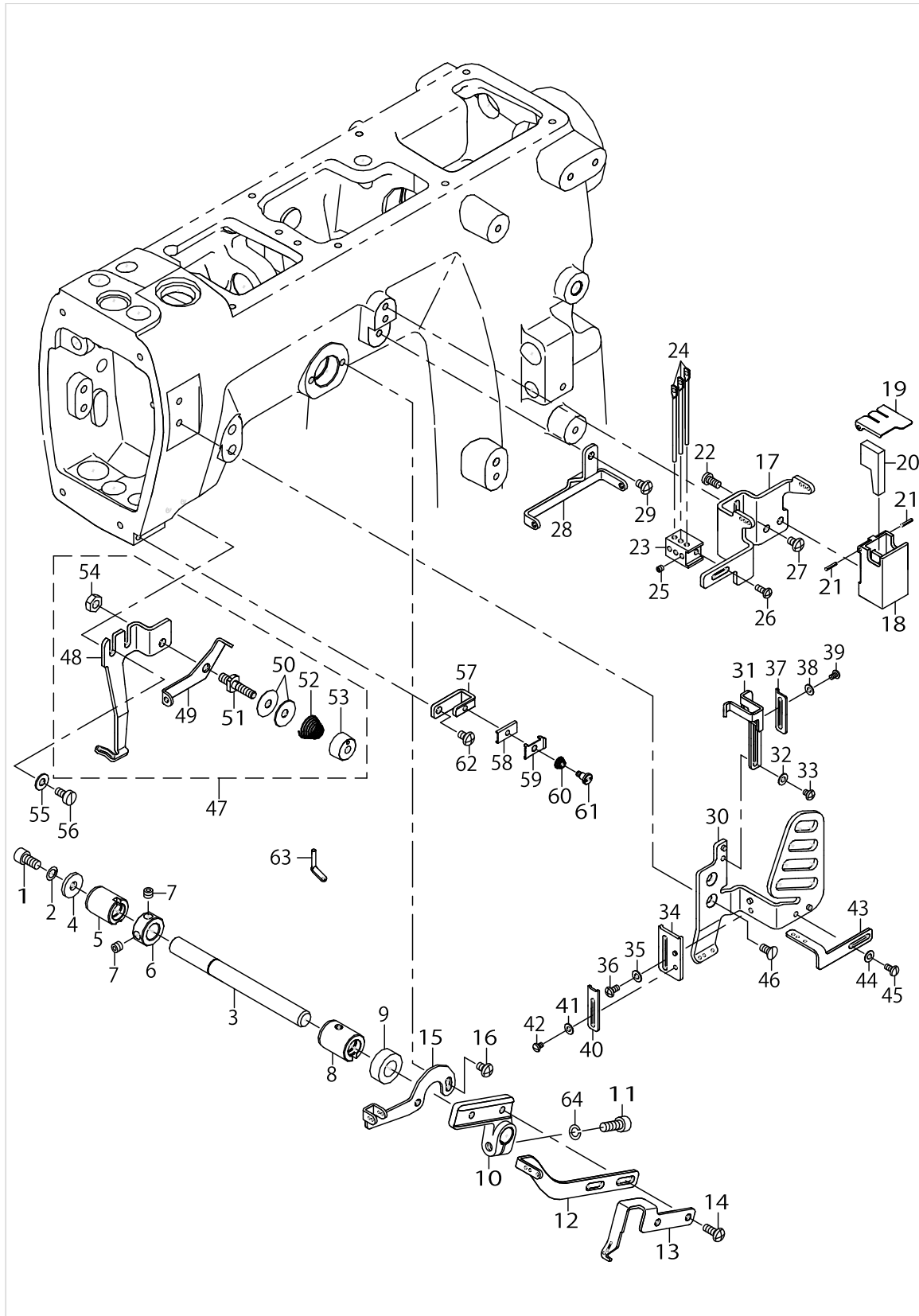
FEED DRIVE COMPONENTS (2)



FEED DRIVE COMPONENTS (2)

No.	Parts No.	Parts name	Remarks	Level	Cons	Qty
48	13409305	BUSHING_FEED_ADJ				1
49	CS1000881TP	THRUST COLLAR				1
50	SM8050412TP	SCREW M5 L=4				2
51	40040155	PLATE_DIFF_ADJ_LEVER				1
52	SM4051255SP	SCREW.,M5 L=12.				2
53	13217500	DIFFERENTIAL FEED LOCK NUT				1
54	13217401	DIFFERENTIAL FEED HINGE SCREW				1
55	13417100	SCREW				1
56	13217708	DIFFERENTIAL FEED BLOCK				1
57	13321203	STOPPER DIFF ADJ				1
58	13123302	ADJUSTING SPRING				1
59	WP0621016SD	WASHER 6.2X13X1				1
60	SM4040655SP	SCREW M4 L=6				1

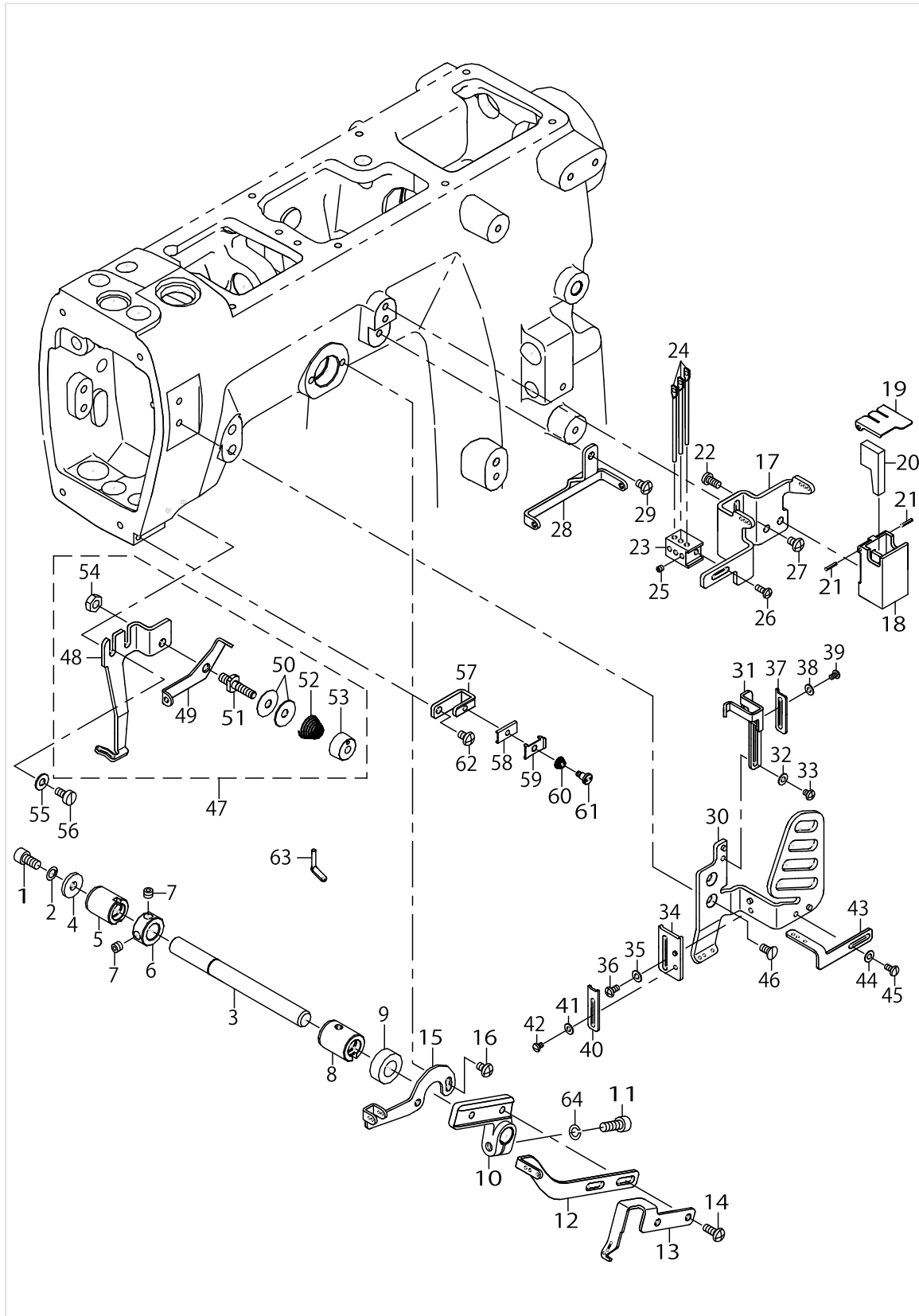
THREAD TAKE-UP LEVER COMPONENTS



THREAD TAKE-UP LEVER COMPONENTS

No.	Parts No.	Parts name	Remarks	Level	Cons	Qty
1	SM6051002TP	SCREW M5X0.8 L=10				1
2	WS0510002KP	SPRING WASHER 5.1X9.2X1.3				1
3	13324306	SHAFT				1
4	WP0522016SH	WASHER				1
5	13324504	BUSHING REAR				1
6	CS1000881TP	THRUST COLLAR				1
7	SM8050412TP	SCREW M5 L=4				2
8	13324603	BUSHING FRONT				1
9	23612609	FEED CHANGING SHAFT OIL SEAL				1
10	13324702	HOLDER TAKE UP EYELET				1
11	SM6051402TP	SCREW M5X0.8 L=14				1
12	13324801	NDL THREAD TAKE UP				1
13	13324900	UP LPR THREAD TAKE UP				1
14	SM4041055SP	SCREW				2
15	13325006	THREAD GUIDE				1
16	SM4040655SP	SCREW M4 L=6				2
17	13325105	THREAD TENSION GUIDE				1
18	13348008	TANK				1
19	B9213850000	SILICONE OIL TANK COVER, UPPER				1
20	B9214850000	HEAT REMOVING FELT				1
21	PS0150082KH	SPRING PIN				2
22	ST4040851SN	TAPPING SCREW M4X8				2
23	13325204	HOLDER				1
24	30391601	NEEDLE THREAD EYELET				3
25	SM8030312TP	SCREW M3 L=3				3
26	SM4030855SN	SCREW M3 L=8.0				1
27	SM4040655SP	SCREW M4 L=6				2
28	13325402	THREAD GUIDE				1
29	SM4040655SP	SCREW M4 L=6				1
30	13325501	COVER				1
31	13325709	NDL THD STRIKE OFF				1
32	WP0320501SC	WASHER M3				1
33	SM4030455SP	SCREW				1
34	13325600	THD STRIKE OFF PLATE				1
35	WP0320501SC	WASHER M3				1
36	SM4030655SP	SCREW				1
37	13326905	NDL THD STRIKE OFF R				1
38	WP0280501SC	WASHER M2.6				1
39	SM4850455SP	SCREW				1
40	13327002	THD STRIKE OFF PLATE R				1
41	WP0280501SC	WASHER M2.6				1
42	SM4850455SP	SCREW				1
43	13327101	THREAD_GUIDE				1
44	WP0320501SC	WASHER M3				1
45	SM4030655SP	SCREW				1
46	SM1040800SP	SCREW				2
47	13326350	UP_LPR_TENSION_ASSY				1

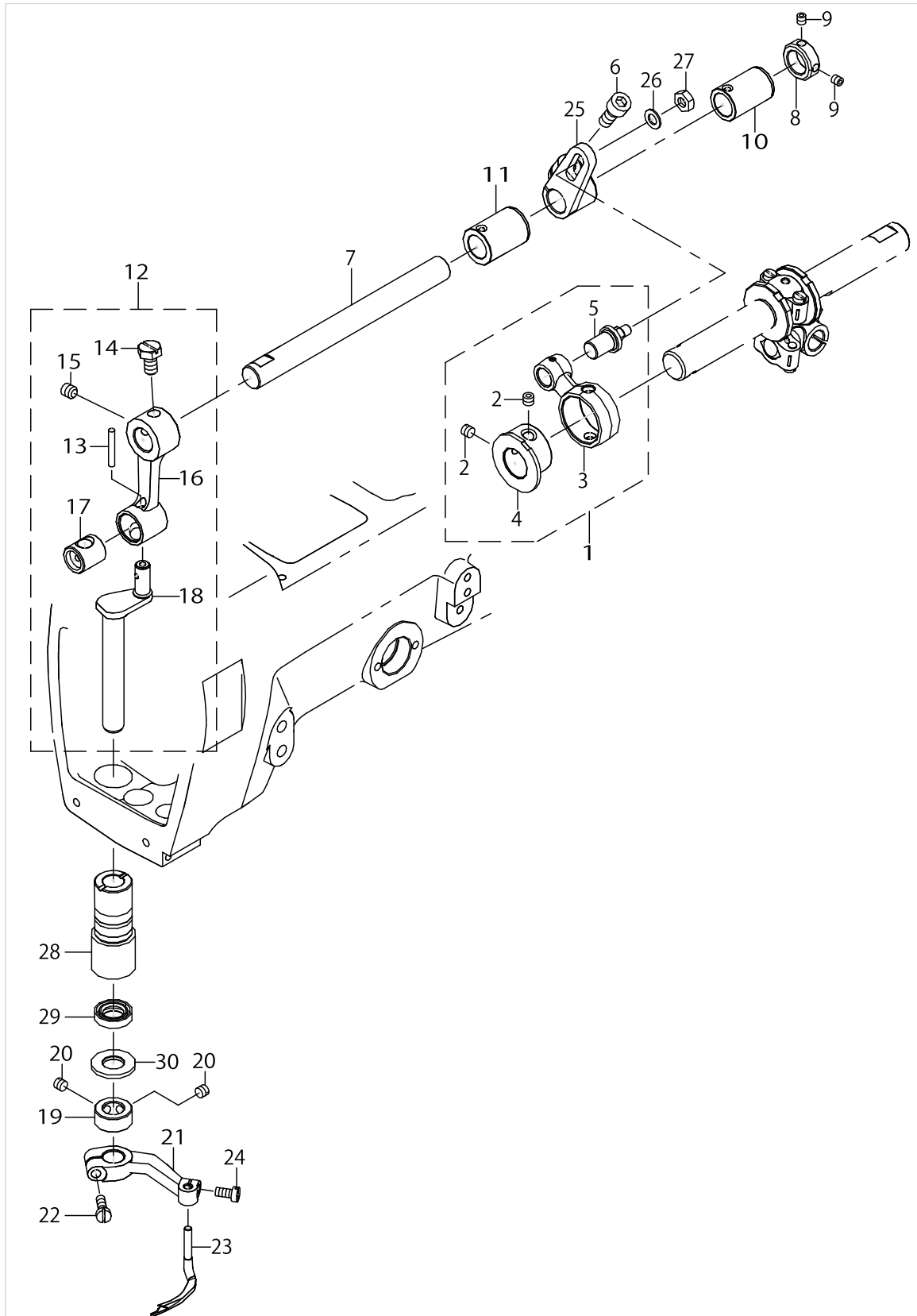
THREAD TAKE-UP LEVER COMPONENTS



THREAD TAKE-UP LEVER COMPONENTS

No.	Parts No.	Parts name	Remarks	Level	Cons	Qty
48	13326301	THREAD GUIDE UPPER LPR		*		1
49	13326400	THREAD GUIDE		*		1
50	22945802	THREAD TENSION DISK		*		2
51	13326509	TENSION POST		*		1
52	22945505	THREAD TENSION SPRING		*		1
53	13326608	TENSION NUT		*		1
54	NM6050001SP	NUT M5		*		1
55	WP0450826SC	WASHER 4.5X10X0.8				2
56	SM6040800SP	SCREW				2
57	13325808	NIPPER PLATE SUPPORT				1
58	13325907	NIPPER PLATE				1
59	13326004	NIPPER GUIDE PLATE				1
60	13326103	SPRING				1
61	13326202	SHOULDER SCREW				1
62	SM4040655SP	SCREW M4 L=6				1
63	13326707	THREAD GUIDE				1
64	WS0510002KN	SPRING WASHER				1

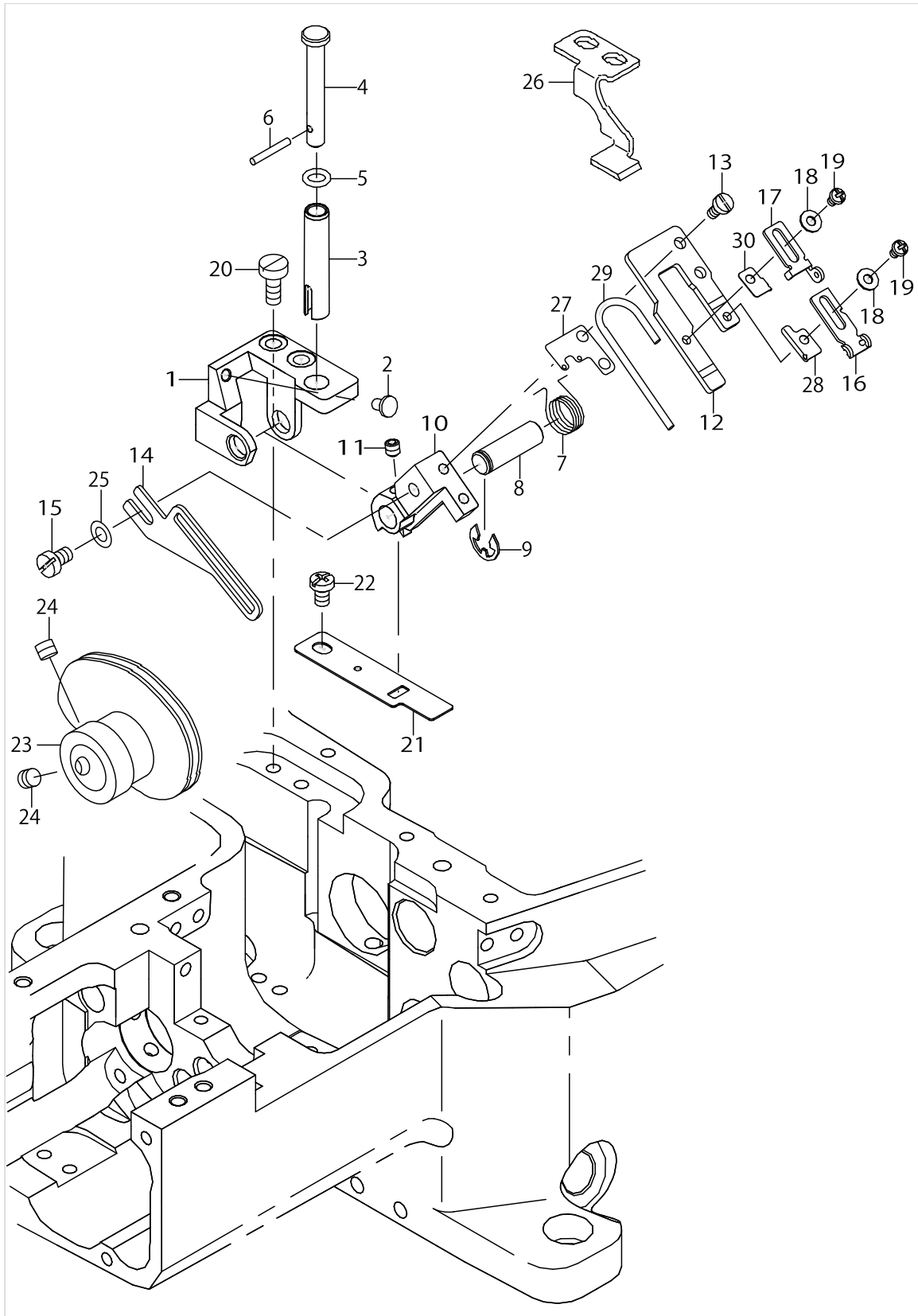
SPREADER COMPONENTS



SPREADER COMPONENTS

No.	Parts No.	Parts name	Remarks	Level	Cons	Qty
1	13328158	ASSY_UPPPER_LPR_MECH				1
2	SM8050412TP	SCREW M5 L=4		*		2
3	13328109	CONNROD FOR UPPER LPR		*		1
4	13328000	UPPER LOOPER ECCENTRIC		*		1
5	13328208	STUD		*		1
6	SM6061402TP	SCREW M6 L=14				1
7	13328406	UPPER LOOPER SHAFT				1
8	13399209	COLLAR				1
9	SM8040412TP	SET SCREW M4 L=4				2
10	13329008	BUSHING REAR				1
11	13329107	BUSHING FRONT				1
12	13328554	ASSY_UPPER_LPR_MECH_2				1
13	CQ303000000	OIL WICK		*		0.05
14	SM9061050TP	SCREW M6 L=10		*		1
15	SM8060612TP	SCREW M6 L=6		*		1
16	13328505	CRANK ROD		*		1
17	13328604	UPPER LOOPER ROCKER		*		1
18	13328703	UP LPR SHAFT VERTICAL		*		1
19	CS1000881TP	THRUST COLLAR				1
20	SM8050412TP	SCREW M5 L=4				2
21	13328802	UPPER LOOPER HOLDER				1
22	SM6041200SP	SCREW M4 L=12				1
23	13329404	UPPER_LOOPER				1
24	SM6041000SP	SCREW M4 L=10				1
25	13328307	DRIVING ARM				1
26	WP0550800SP	WASHER 5.5X10X0.8				1
27	NM6050001SP	NUT M5				1
28	13329206	BUSHING VERTICAL				1
29	13338900	OIL SEAL				1
30	WP1022016SH	WASHER				1

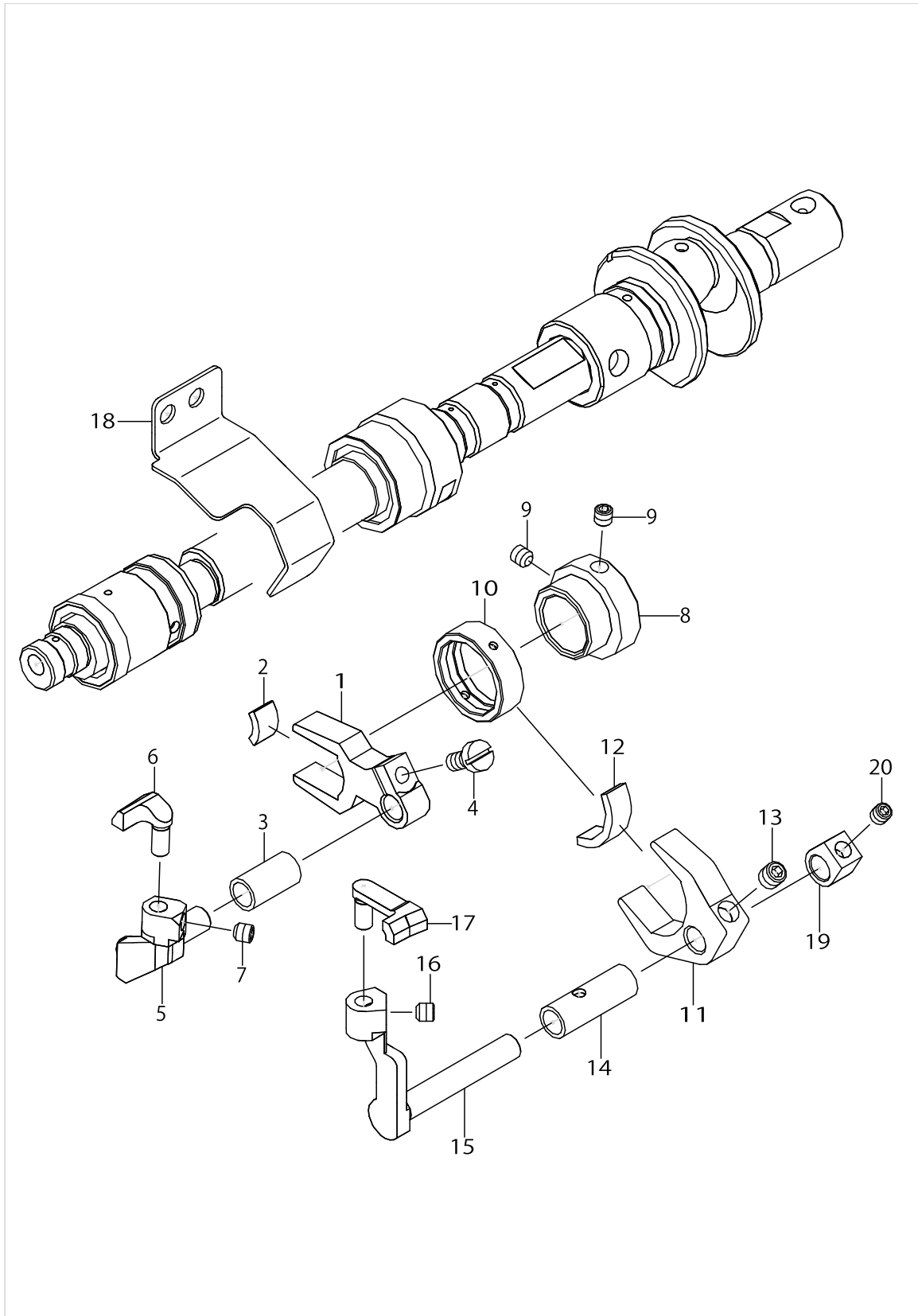
LOWER THREAD CAM COMPONENTS



LOWER THREAD CAM COMPONENTS

No.	Parts No.	Parts name	Remarks	Level	Cons	Qty
1	13417209	TAKE UP BASE				1
2	13418306	BUMPER				1
3	13417308	TAKE UP BASE GUIDE				1
4	13417407	RESET KNOB				1
5	RO037180100	RUBBER RING				1
6	PS0200142K0	SPRING PIN 2.0X14				1
7	13417704	SPRING TAKE UP				1
8	13417902	TAKE UP PLATE SHAFT				1
9	RE0500000K0	E-RING				1
10	13417506	BASE TAKE UP PLATE				1
11	SM8040412TP	SET SCREW M4 L=4				1
12	40064971	TAKE_UP_PLATE				1
13	SM6030600SP	SCREW M3X0.5 L=6				2
14	13417803	THREAD GUIDE				1
15	SM6040602TP	SCREW M4 L=6				1
16	40064970	EYELET_A				1
17	13418207	EYELET B				1
18	WP0280501SC	WASHER M2.6				2
19	SM4850455SP	SCREW				2
20	SM6041000SP	SCREW M4 L=10				2
21	13418009	LOCATION SPRING				1
22	SM4040655SP	SCREW M4 L=6				1
23	40088112	TAKE_UP_ASSY				1
24	SM8050412TP	SCREW M5 L=4				2
25	WP0430800SC	WASHER M4				1
26	40064969	THREAD_CUTTER				1
27	40087053	FIXED PLATE				1
28	40087054	MOUNTING PLATE RIGHT				1
29	40087068	CAM THREAD CATCH				1
30	40087055	MOUNTING PLATE LEFT				1

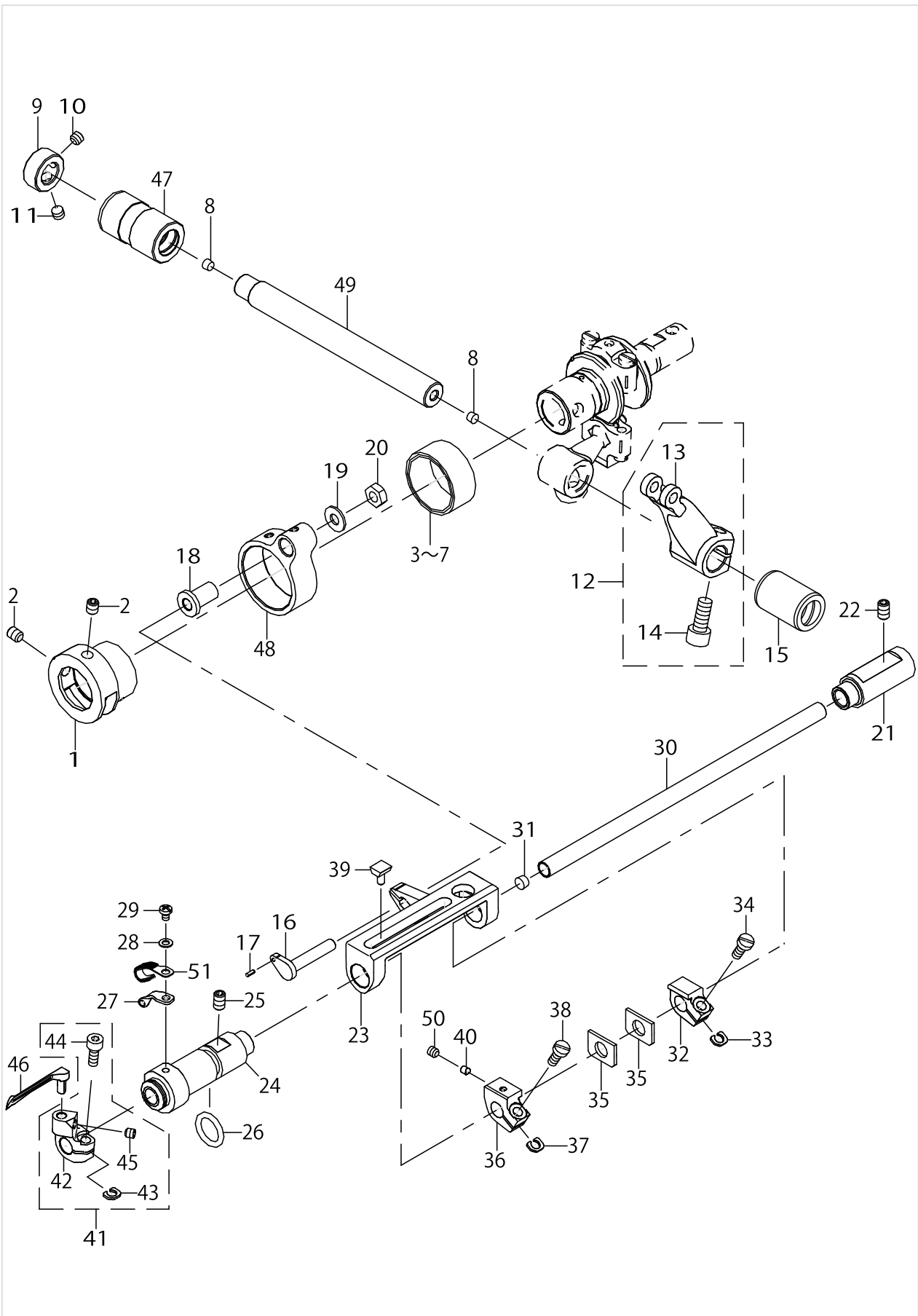
NEEDLE GUARD COMPONENTS



NEEDLE GUARD COMPONENTS

No.	Parts No.	Parts name	Remarks	Level	Cons	Qty
1	13420401	FORK FRONT NDL GUARD				1
2	13421201	FELT_FRONT_NDL_GUARD				1
3	13420807	BUSH FRONT NDL GUARD				1
4	SM6040800SP	SCREW				1
5	13420500	HOLDER FRONT NDL GUARD				1
6	13420609	FRONT NDL GUARD				1
7	SM8040412TP	SET SCREW M4 L=4				1
8	13420005	CAM REAR NDL GUARD				1
9	SM8040412TP	SET SCREW M4 L=4				2
10	13421003	REAR NEEDLE GUARD BLOCK				1
11	13420104	FORK REAR N GUARD				1
12	13421300	FELT_REAR_NDL_GUARD				1
13	SM8050512TP	SCREW				1
14	13420708	BUSH REAR NDL GUARD				1
15	13420203	REAR N GUARD HOLDER				1
16	SM8040412TP	SET SCREW M4 L=4				1
17	13420302	REAR NEEDLE GUARD				1
18	13420906	NDL GUARD COVER				1
19	13421409	COLLER_FOR_NDL_GUARD				1
20	SM8040412TP	SET SCREW M4 L=4				1

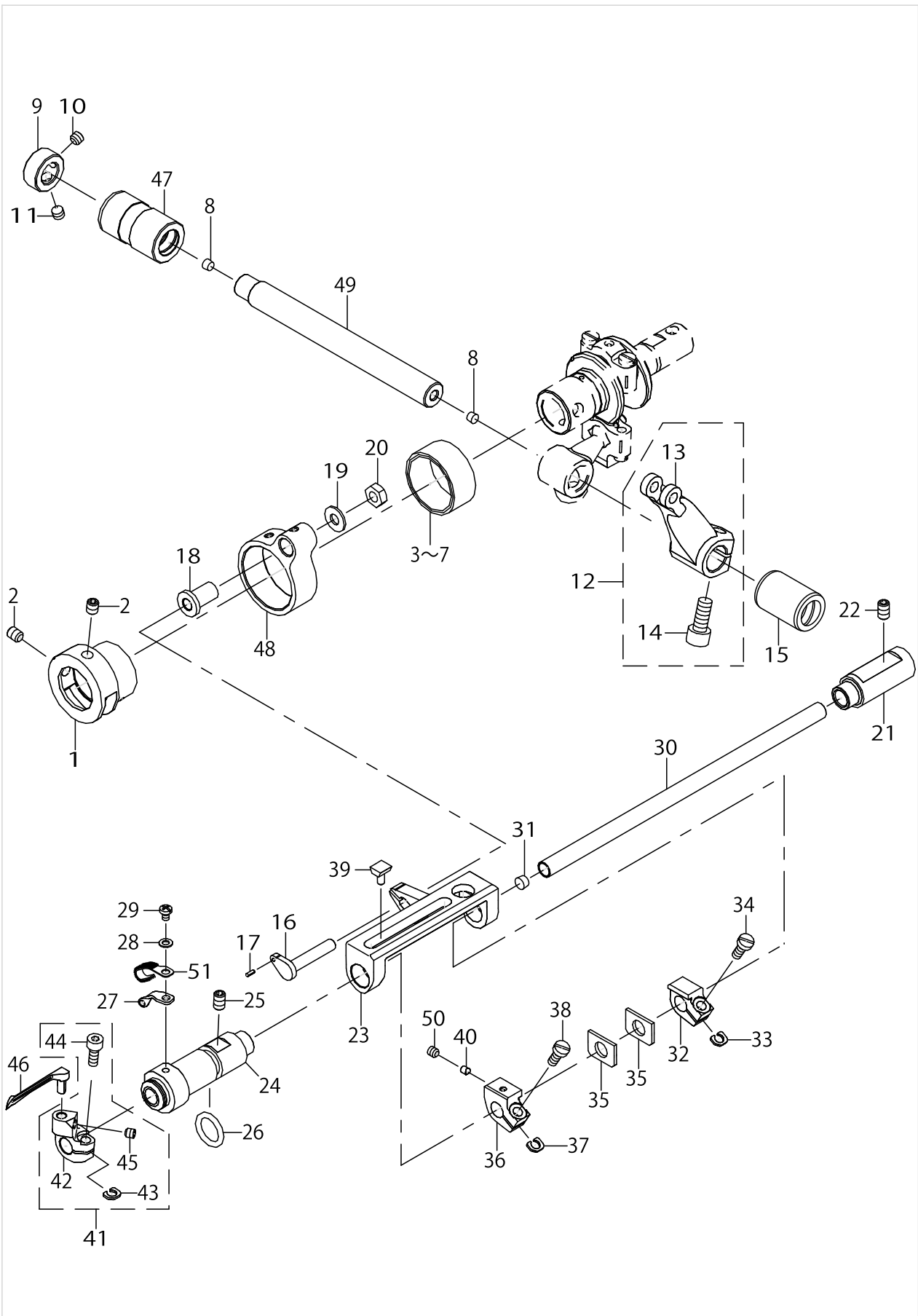
LOOPER COMPONENTS



LOOPER COMPONENTS

No.	Parts No.	Parts name	Remarks	Level	Cons	Qty
1	13422001	LOOPER ADOID ECCENTRIC				1
2	SM8050612TP	SCREW M5X6				2
3	SB32600020A	BEARING	SELECTIVE PARTS			1
4	SB32600020B	BEARING	SELECTIVE PARTS			1
5	SB32600020C	BEARING	SELECTIVE PARTS			1
6	SB32600020D	BEARING	SELECTIVE PARTS			1
7	SB32600020E	BEARING	SELECTIVE PARTS			1
8	TA0400301M0	PLUG D=4X4.5 L=3				2
9	CS1000881TP	THRUST COLLAR				1
10	SM8050412TP	SCREW M5 L=4				1
11	SM8050642TP	SCREW				1
12	13424452	LEVER_ASSY				1
13	13424403	LEVER		*		1
14	SM6061402TP	SCREW M6 L=14		*		1
15	13424502	BUSHING FRONT				1
16	13422704	LOOPER AVOID PIN				1
17	PS0150042K0	SPRING PIN 1.5X 4				1
18	13422803	BUSHING				1
19	13120605	WASHER				1
20	NM6050001SP	NUT M5				1
21	13423009	BUSHING RIGHT				1
22	SM8050812TP	SCREW M5X8				1
23	13422902	GUIDE LOOPER BAR				1
24	13423108	BUSHING LEFT				1
25	SM8050812TP	SCREW M5X8				1
26	RO118240100	O-RING				1
27	13425202	LPR_THREAD_GUIDE				1
28	WP0320500SC	WASHER M3				1
29	SM4030455SP	SCREW				1
30	13424601	LOOPER BAR				1
31	TA0600401R0	PLUG				1
32	13423405	HOLDER				1
33	13423801	WASHER				1
34	SM6041000SP	SCREW M4 L=10				1
35	13423603	WASHER				2
36	13423504	SLIDER HOLDER				1
37	13423801	WASHER				1
38	SM6041000SP	SCREW M4 L=10				1
39	13423306	SLIDER				1
40	13423702	PIN				1
41	40022804	LOOPER_HOLDER_ASSY				1
42	13424700	LOOPER HOLDER		*		1
43	13423801	WASHER		*		1
44	SM6041002TP	SCREW M4 L=10		*		1
45	SM8040412TP	SET SCREW M4 L=4		*		1
46	13424809	LOOPER				1
47	13423900	BUSHING REAR				1

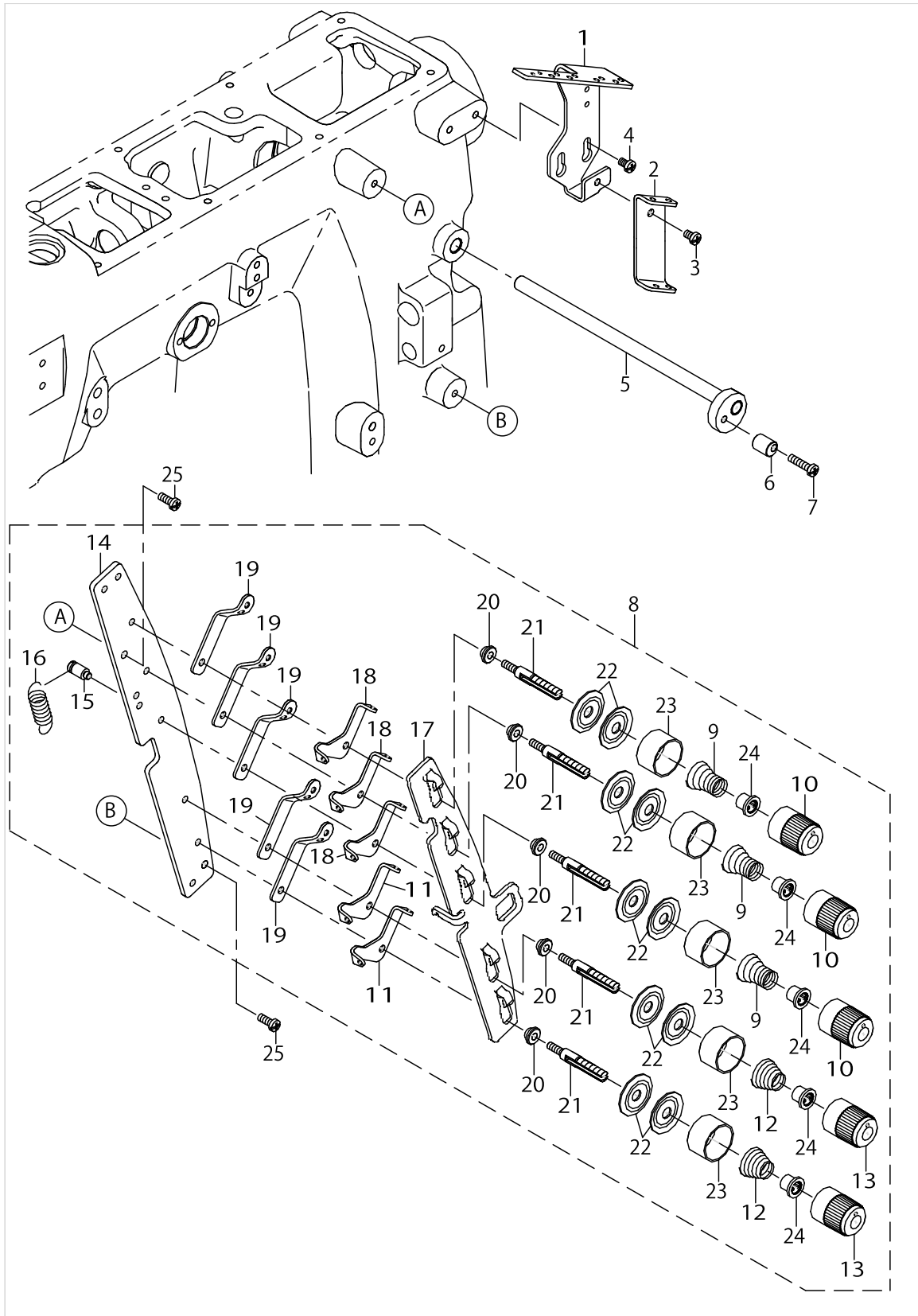
LOOPER COMPONENTS



LOOPER COMPONENTS

No.	Parts No.	Parts name	Remarks	Level	Cons	Qty
48	13422605	LOOPER AVOID LINK				1
49	13424304	LOOPER SHAFT				1
50	SM8040412TP	SET SCREW M4 L=4				1
51	40087067	THREAD GUIDE COVER ASSY				1

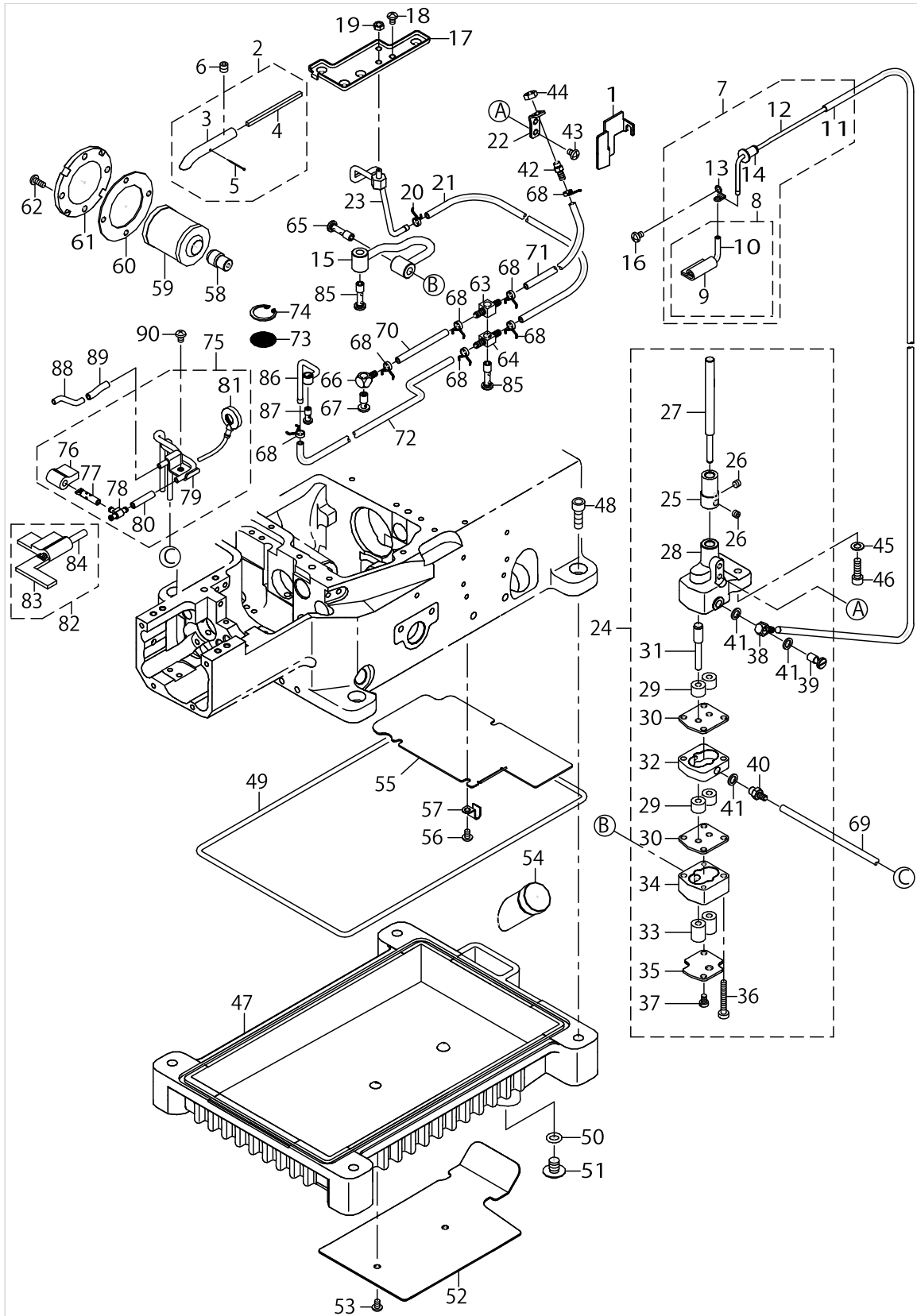
THREAD TENSION COMPONENTS



THREAD TENSION COMPONENTS

No.	Parts No.	Parts name	Remarks	Level	Cons	Qty
1	13340005	THREAD GUIDE PLATE				1
2	13340104	THREAD GUIDE				1
3	SM4040655SP	SCREW M4 L=6				1
4	SM4040655SP	SCREW M4 L=6				2
5	13341359	ASSY PULL OFF LEVER				1
6	40065785	TENS_RELEASE_ADJ_ECC				1
7	SM4041655SP	SCREW M4 L=16				1
8	40066136	THREAD_TENSION_ASSY				1
9	13140504	TENSION SPRING		*		3
10	40042364	KNOB GREEN		*		3
11	13340500	TENSION DISC EYELET		*		2
12	B3121804000	TENSION SPRING		*		2
13	40042363	KNOB		*		2
14	13340203	TENSION POST SUPPORT		*		1
15	13340302	SHOULDER SCREW		*		1
16	B2008372000	THREAD TENSION SPRING		*		1
17	40065784	TENSION_DISC_SEPARATOR		*		1
18	13341607	TENSION_DISC_EYELET_2		*		3
19	13340609	THREAD LEAD IN GUIDE		*		5
20	13340708	SPACER		*		5
21	40042362	TENSION POST		*		5
22	13138201	THREAD TENSION DISK		*		10
23	40042366	THREAD TENSION DISK PRESSER		*		5
24	40042365	SPRING BUSHING		*		5
25	SM4041055SP	SCREW				2

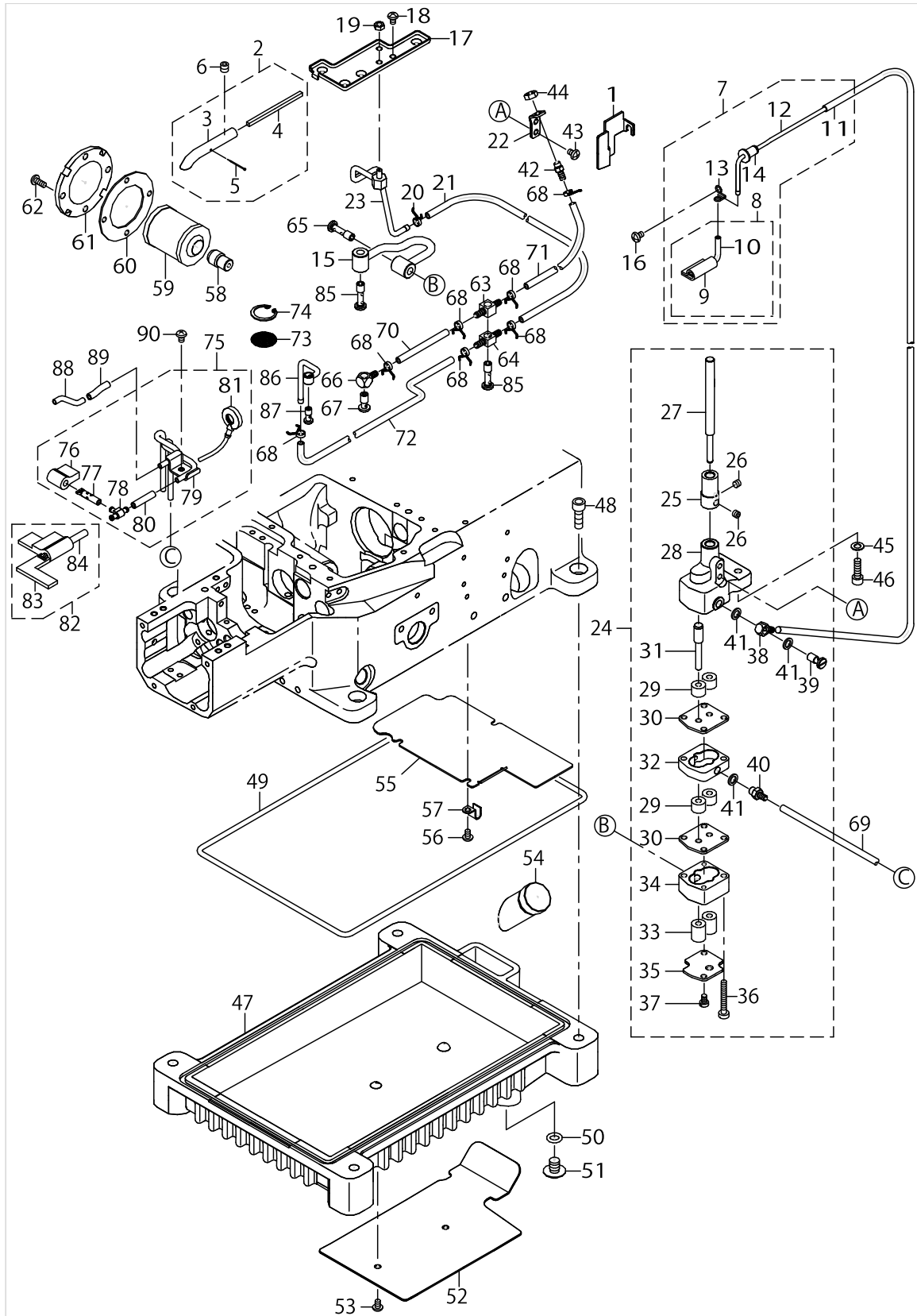
LUBRICATION COMPONENTS



LUBRICATION COMPONENTS

No.	Parts No.	Parts name	Remarks	Level	Cons	Qty
1	13343900	OIL_PROTECTION_SHIELD				1
2	13343652	ASSY_OIL_TUBE				1
3	13343603	OIL TUBE		*		1
4	13344205	FELT_FOR_HEAD_LUB		*		1
5	11856101	NEEDLE COOLER PIN		*		1
6	SM8060812TP	SCREW M6 L=8				1
7	13344056	ASSY_HEAD_SUCTION				1
8	13344155	ASSY_HEAD_SUCTION 2		*		1
9	40019163	FELT_FOR_HEAD_SUCTION		*		1
10	13346408	OIL TUBE FOR SUCTION		*		1
11	23630007	TUBE		*		0.43
12	13344601	SUCTION PIPE		*		1
13	13344502	PIPE CLAMP		*		1
14	13344700	BUSHING FOR SUCTION		*		1
15	13427257	ASSY_OIL_PIPE				1
16	SM4040655SP	SCREW M4 L=6				1
17	40028110	OIL_SAUCER				1
18	SM4040655SP	SCREW M4 L=6				2
19	NM6040001SP	NUT M4X0.7				1
20	23629306	PIPE STOPPER A				1
21	BP30000010R	VINYL PIPE				0.5
22	13427307	CONNECTING_SCR_BRACKET				1
23	13345053	ASSY_OIL_SUPPLY_FOR_TOP				1
24	13426051	ASSY_PUMP_3-STAGE				1
25	13343009	WORM WHEEL		*		1
26	SM8050412TP	SCREW M5 L=4		*		2
27	13426002	OIL PUMP SHAFT LARGE		*		1
28	13343108	OIL PUMP HOUSING		*		1
29	13228309	OIL PUMP PINION		*		4
30	13343405	OIL PUMP SPACER		*		2
31	13426101	OIL PUMP SHAFT SMALL		*		1
32	13426200	OIL PUMP CASING UPPER		*		1
33	13228200	OIL PUMP PINION		*		2
34	13343207	OIL PUMP CASING		*		1
35	13343306	OIL PUMP COVER		*		1
36	SM6043000SP	SCREW		*		2
37	SM6040600SP	SCREW M4 L=6		*		2
38	SQ0000451MZ	CONNECTING SCREW		*		1
39	SQ2060443SD	CONNECTING SCREW		*		1
40	SQ2060451MZ	CONNECTING SCREW		*		1
41	40004749	GASKET		*		3
42	SQ2050452MZ	CONNECTING SCREW				1
43	SM4040655SP	SCREW M4 L=6				2
44	NM6050001SP	NUT M5				1
45	WP0550800SP	WASHER 5.5X10X0.8				2
46	SM6051602TP	SCREW M5X0.8 L=16				2
47	13426309	OIL PAN				1

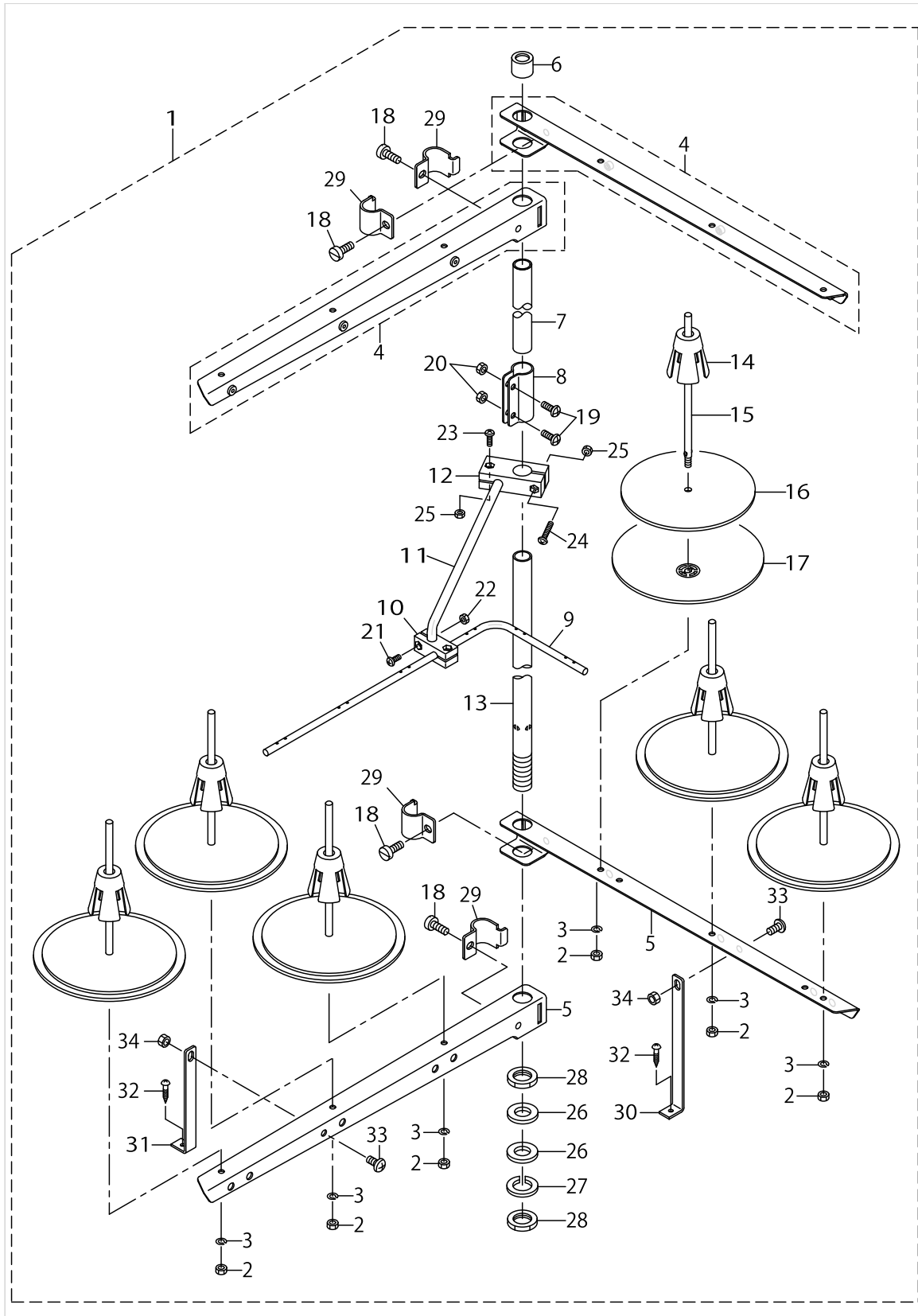
LUBRICATION COMPONENTS



LUBRICATION COMPONENTS

No.	Parts No.	Parts name	Remarks	Level	Cons	Qty
48	SM6081802TP	SCREW				4
49	13426408	O RING				1
50	13170105	RUBBER RING				1
51	SM0081001SD	SCREW				1
52	13346309	BREEZE_PLATE				1
53	SM4040655SP	SCREW M4 L=6				2
54	13346101	OIL SIGHT GAUGE				1
55	13426606	DUSTPROOF PLATE				1
56	SM4040655SP	SCREW M4 L=6				3
57	13427604	TUBE HOLDER				1
58	13343801	FITTING FILTER				1
59	13142500	CARTRIDGE_FILTER				1
60	13344809	GASKET O				1
61	13345202	FILTER_COVER				1
62	SM4041055SP	SCREW				4
63	SQ0000453MZ	CONNECTING SCREW				1
64	SQ0000454MZ	CONNECTING SCREW				1
65	SQ2060442SD	CONNECTING SCREW				1
66	SQ0000452MZ	CONNECTING SCREW				1
67	SQ2060443SD	CONNECTING SCREW				1
68	23629306	PIPE STOPPER A				7
69	23630007	TUBE				0.2
70	BP30000010R	VINYL PIPE				0.09
71	BP30000010R	VINYL PIPE				0.14
72	BP30000010R	VINYL PIPE				0.13
73	13426903	MESH PLATE				1
74	RC1900002KP	RETAIN IG-PIN				1
75	13427851	ASSY_BED_SUCTION				1
76	13427802	FELT_FOR_BED_SUCTION		*		1
77	13428305	OIL_TUBE_FOR_SUCTION		*		1
78	13765607	OIL CONNEC. ARM		*		1
79	13426754	OIL SUCTION ASSY		*		1
80	23630007	TUBE		*		0.03
81	13428255	ASSY_LOOPER_SUCTION		*		1
82	13427752	ASSY_CYLINDER_SUCTION				1
83	13427703	FELT_FOR_C_SUCTION		*		1
84	13346408	OIL TUBE FOR SUCTION		*		1
85	SQ2060442SD	CONNECTING SCREW				2
86	13427455	ASSY_OIL_SUPPLY_FOR_LMS				1
87	SQ2050391SD	CONNECTING SCREW				1
88	13428008	OIL_SUCTION_FOR_BUSHING				1
89	23630007	TUBE				0.02
90	SM4040655SP	SCREW M4 L=6				1

THREAD STAND COMPONENTS

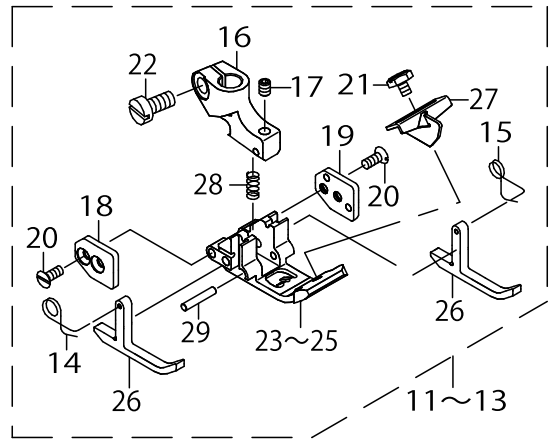
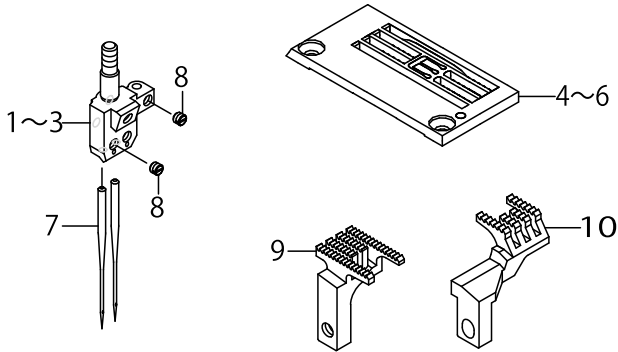


THREAD STAND COMPONENTS

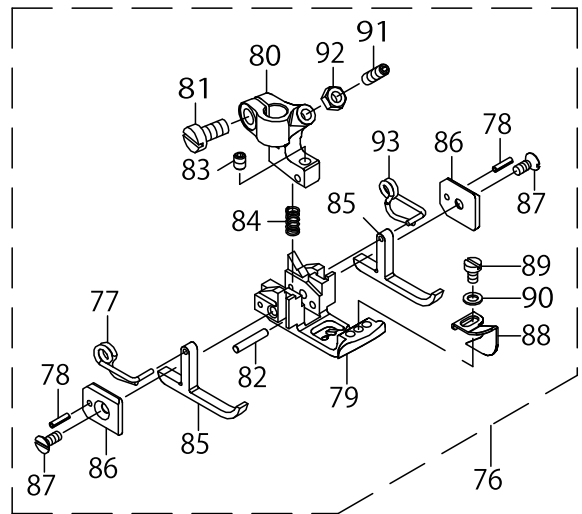
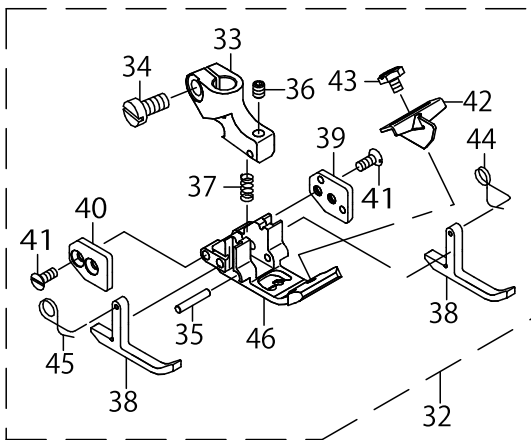
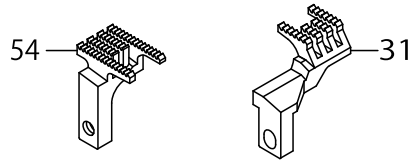
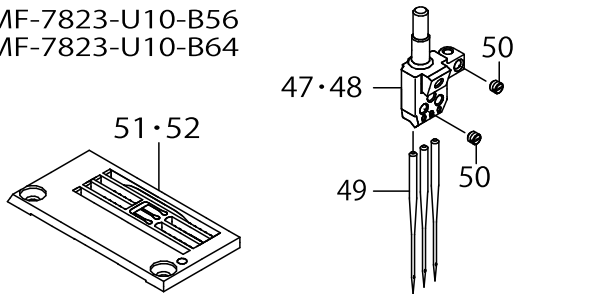
No.	Parts No.	Parts name	Remarks	Level	Cons	Qty
1	40072506	THREAD STAND ASM.				1
2	NM6050001SE	NUT M5		*		6
3	WS0510002KN	SPRING WASHER		*		6
4	13168356	THREAD STANDING ARM ASM. ,LONG		*		2
5	13168802	THREAD STANDING ARM ,LONG		*		2
6	22931406	THREAD STANDING ROD RUBBER CAP		*		1
7	22930408	THREAD STANDING ROD, UPPER		*		1
8	22931307	THREAD STANDING ROD JOINT		*		1
9	13167903	THREAD STANDING THREAD GUIDE		*		1
10	13168000	THREAD GUIDE BASE, LOWER		*		1
11	40086675	FEED_LEVER_ARM		*		1
12	13168208	THREAD GUIDE ARM BASE		*		1
13	22930309	THREAD STANDING ROD, LOWER		*		1
14	22931109	SPOOL RETAINER		*		6
15	22931000	SPOOL PIN		*		6
16	22930903	SPOOL REST CUSHION		*		6
17	22930804	SPOOL REST		*		6
18	SM6061610SC	SCREW M6 L=16		*		4
19	SM4051405SE	SCREW M5 L=14		*		2
20	NM6050001SE	NUT M5		*		2
21	SM4041001SC	SCREW M4X0.7 L=10		*		2
22	NM6040002SE	NUT M4X0.7		*		2
23	SM4041201SC	SCREW M4 L=12		*		1
24	SM4042001SC	SCREW M4 X 20		*		1
25	NM6040002SE	NUT M4X0.7		*		2
26	WP1612616SE	WASHER 16X30X2.6		*		2
27	WS1643202KR	SPRING WASHER		*		1
28	NM6160511SE	NUT M16X1.5		*		2
29	22930705	THREAD GUIDE ARM JOINT		*		4
30	13168505	THREAD STANDING ARM SUPPORT B		*		1
31	13168406	THREAD STANDING ARM SUPPORT A		*		1
32	SK3382001SE	SCREW D=3.8 L=20		*		2
33	SM4061201SE	SCREW M6 L=12		*		2
34	NM6060001SE	NUT M6		*		2

GAUGE PARTS COMPONENTS

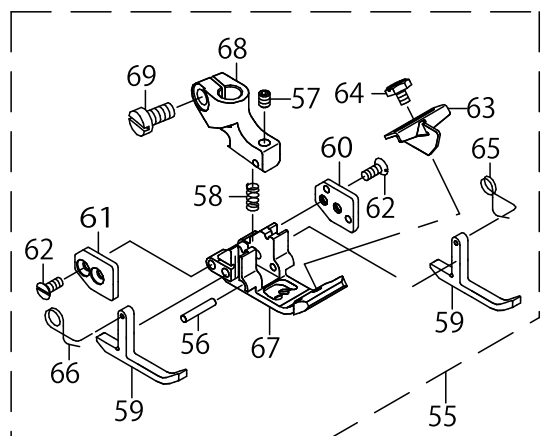
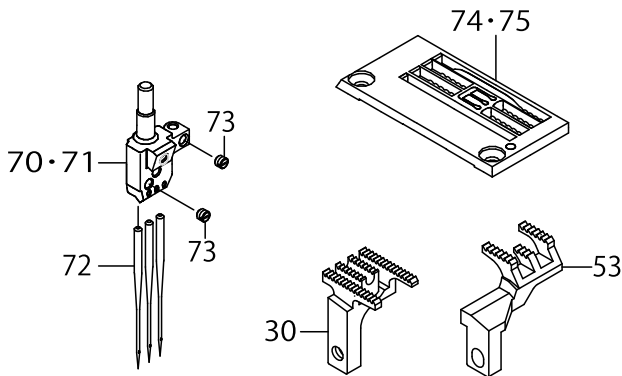
MF-7822-U10-B32
MF-7822-U10-B40
MF-7822-U10-B48



MF-7823-U10-B56
MF-7823-U10-B64



MF-7823-K10-B56
MF-7823-K10-B64

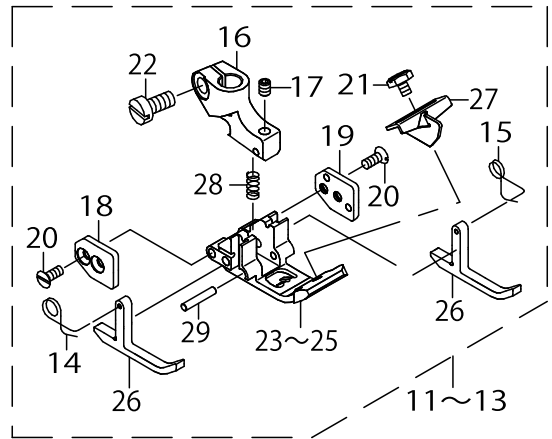
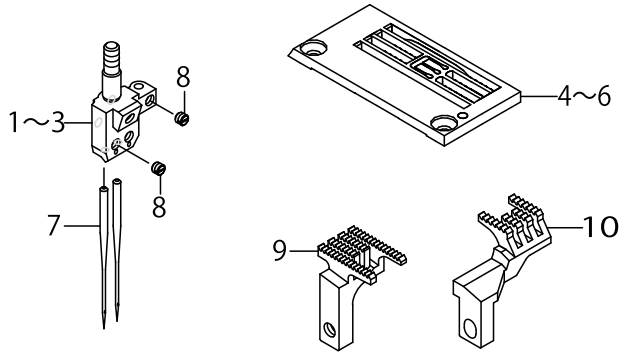


GAUGE PARTS COMPONENTS

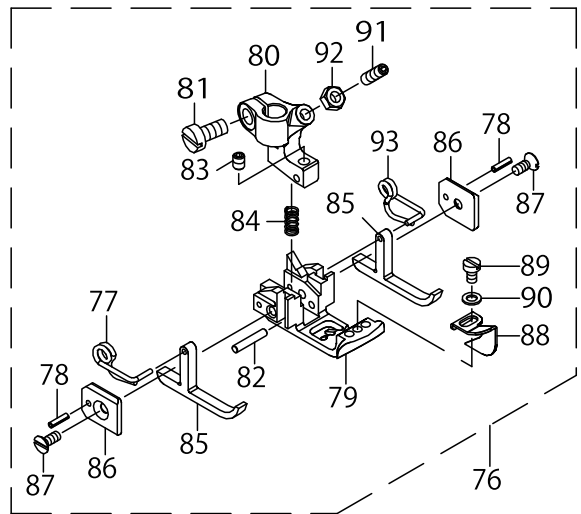
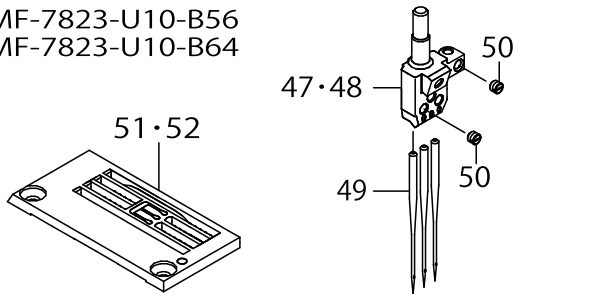
No.	Parts No.	Parts name	Remarks	Level	Cons	Qty
1	13350509	NEEDLE_HEAD_48	FOR MF-7822-U10-B48			1
2	13350004	NEEDLE_HEAD_32	FOR MF-7822-U10-B32 MF-782			1
3	13350103	NEEDLE_HEAD_40	FOR MF-7822-U10-B40 MF-782			1
4	40040514	THROAT PLATE	FOR MF-7822-U10-B48			1
5	40058587	THROAT_PLATE	FOR MF-7822-U10-B32 MF-782			1
6	40058706	THROAT_PLATE	FOR MF-7822-U10-B40 MF-782			1
7	MUY128S1000	NEEDLE UYX128GAS #10				2
8	SM8030350TP	SCREW				3
9	13431200	MAIN_FEED_DOG				1
10	13433503	DIFF_FEED_DOG				1
11	13376058	PRESSER_FOOT_ASSY	FOR MF-7822-U10-B48			1
12	40058589	PRESSER_FOOT_ASSY	FOR MF-7822-U10-B32 MF-782			1
13	40058708	PRESSER_FOOT_ASSY	FOR MF-7822-U10-B40 MF-782			1
14	13375308	SPRING_L		*		1
15	13375407	SPRING_R		*		1
16	13375506	PRESSER_FOOT_HINGE		*		1
17	SM8030412TP	SCREW		*		1
18	13375605	GUIDE_PLATE_L		*		1
19	13375704	GUIDE_PLATE_R		*		1
20	SM1850600SP	SCREW		*		4
21	13377007	SCREW		*		1
22	SM6040800SP	SCREW		*		1
23	13376009	PRESSER_FOOT_BOTTOM	FOR MF-7822-U10-B48	*		1
24	40058588	PRESSER_FOOT_BOTTOM	FOR MF-7822-U10-B32 MF-782	*		1
25	40058707	PRESSER_FOOT_BOTTOM_40	FOR MF-7822-U10-B40 MF-782	*		1
26	13375100	P_F_YIELDING_SECTION		*		2
27	13376900	PRESSER_FOOT_GUIDE		*		1
28	13377106	SPRING		*		1
29	13375209	PIVOT_PIN		*		1
30	13430707	MAIN_FEED_DOG				1
31	13432109	DIFF_FEED_DOG				1
32	13375050	PRESSER_FOOT_ASSY	TYPE TURKEY			1
33	13375506	PRESSER_FOOT_HINGE		*		1
34	SM6040800SP	SCREW		*		1
35	13375209	PIVOT_PIN		*		1
36	SM8030412TP	SCREW		*		1
37	13377106	SPRING		*		1
38	13375100	P_F_YIELDING_SECTION		*		2
39	13375704	GUIDE_PLATE_R		*		1
40	13375605	GUIDE_PLATE_L		*		1
41	SM1850600SP	SCREW		*		4
42	13376900	PRESSER_FOOT_GUIDE		*		1
43	13377007	SCREW		*		1
44	13375407	SPRING_R		*		1
45	13375308	SPRING_L		*		1
46	13375001	PRESSER_FOOT_BOTTOM		*		1
47	13350301	NEEDLE_HEAD_56	FOR MF-7823-U10-B56			1

GAUGE PARTS COMPONENTS

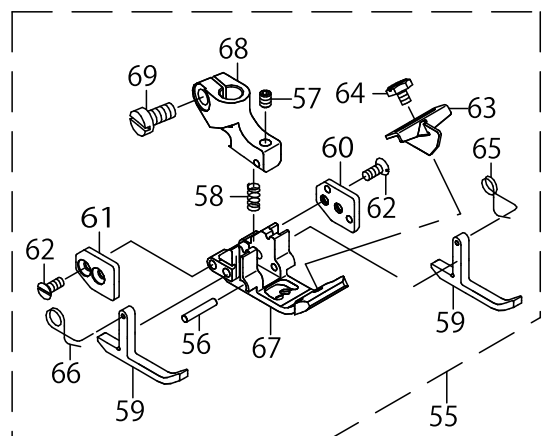
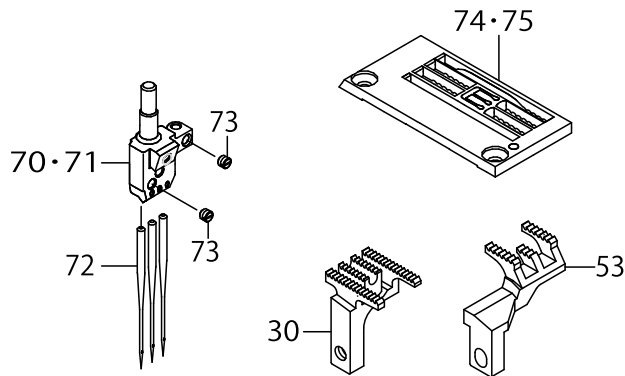
MF-7822-U10-B32
MF-7822-U10-B40
MF-7822-U10-B48



MF-7823-U10-B56
MF-7823-U10-B64



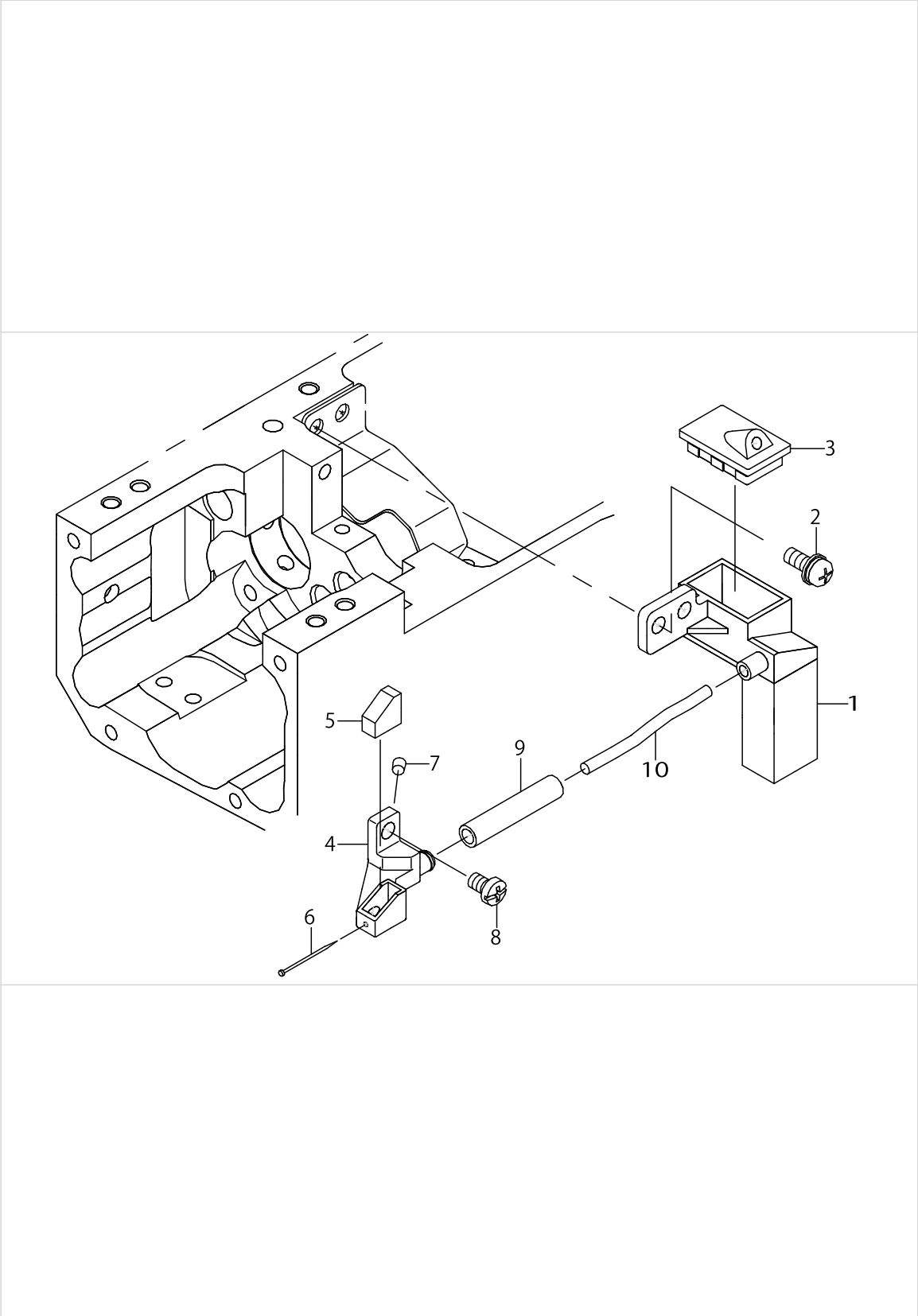
MF-7823-K10-B56
MF-7823-K10-B64



GAUGE PARTS COMPONENTS

No.	Parts No.	Parts name	Remarks	Level	Cons	Qty
48	13350400	NEEDLE_HEAD_64	FOR MF-7823-U10-B64			1
49	MUY128S1000	NEEDLE UYX128GAS #10				3
50	SM8030350TP	SCREW				4
51	40058033	THROAT_PLATE	FOR MF-7823-U10-B56			1
52	40040513	THROAT PLATE	FOR MF-7823-U10-B64			1
53	13432901	DIFF_FEED_DOG				1
54	13430103	MAIN_FEED_DOG				1
55	13375050	PRESSER_FOOT_ASSY	TYPE TURKEY			1
56	13375209	PIVOT_PIN		*		1
57	SM8030412TP	SCREW		*		1
58	13377106	SPRING		*		1
59	13375100	P_F_YIELDING_SECTION		*		2
60	13375704	GUIDE_PLATE_R		*		1
61	13375605	GUIDE_PLATE_L		*		1
62	SM1850600SP	SCREW		*		4
63	13376900	PRESSER_FOOT_GUIDE		*		1
64	13377007	SCREW		*		1
65	13375407	SPRING_R		*		1
66	13375308	SPRING_L		*		1
67	13375001	PRESSER_FOOT_BOTTOM		*		1
68	13375506	PRESSER_FOOT_HINGE		*		1
69	SM6040800SP	SCREW		*		1
70	13350301	NEEDLE_HEAD_56	FOR MF-7823-K10-B56			1
71	13350400	NEEDLE_HEAD_64	FOR MF-7823-K10-B64			1
72	MUY128S1000	NEEDLE UYX128GAS #10				3
73	SM8030350TP	SCREW				4
74	13352307	THROAT PLATE	FOR MF-7823-K10-B56			1
75	13352406	THROAT_PLATE	FOR MF-7823-K10-B64			1
76	40082974	PRESSER_FOOT_ASSY	EXCEPT TYPE TURKEY			1
77	40070229	SPRING_L		*		1
78	PS0150065KP	SPRING PIN 1.5X6		*		2
79	40082975	PRESSER_FOOT_BOTTOM		*		1
80	40070224	PRESSER_FOOT_HINGE		*		1
81	SM6040800SP	SCREW		*		1
82	13375209	PIVOT_PIN		*		1
83	SM8030412TP	SCREW		*		1
84	13377106	SPRING		*		1
85	40070226	P_F_YIELDING_SECTION		*		2
86	40070227	GUIDE_PLATE		*		2
87	SM1850600SP	SCREW		*		2
88	40070231	PRESSER_FOOT_GUIDE		*		1
89	SM6850400SP	SCREW M2.5 L=4		*		1
90	WP0280500SC	WASHER		*		1
91	SM8031002TP	SCREW		*		1
92	NM6030001SD	NUT M3X0.5		*		1
93	40070230	SPRING_R		*		1

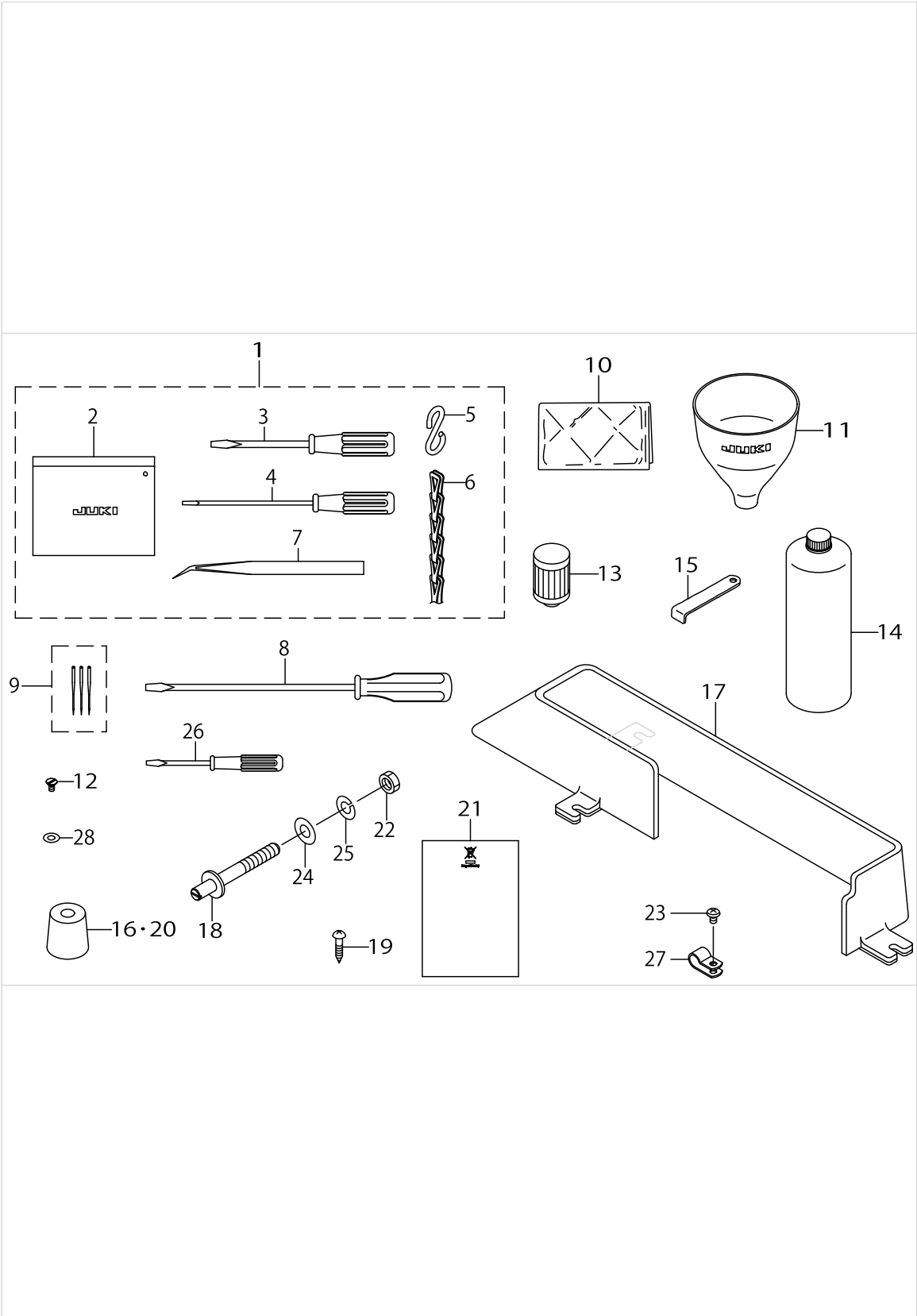
NEEDLE COOLING MECHANISM COMPONENTS



NEEDLE COOLING MECHANISM COMPONENTS

No.	Parts No.	Parts name	Remarks	Level	Cons	Qty
1	13429055	SILICONE OIL TANK ASSY				1
2	SL4041081SC	SCREW M4 L=10				2
3	13429105	SILICONE OIL TANK CAP				1
4	13429204	SILICONE OIL CUP				1
5	13429303	FELT				1
6	11856101	NEEDLE COOLER PIN				1
7	TA0290301M0	PLUG				1
8	SM4040655SP	SCREW M4 L=6				1
9	BT0600402EA	OIL TUBE				0.03
10	CQ303000000	OIL WICK				0.1

ACCESSORIES PARTS COMPONENTS



ACCESSORIES PARTS COMPONENTS

No.	Parts No.	Parts name	Remarks	Level	Cons	Qty
1	40013913	ACCESSORY_BAG_ASSY				1
2	22932800	ACCESSORIE BAG		*		1
3	22933105	SCREW DRIVER,MIDDLE		*		1
4	12347308	SCREW DRIVER (SMALL)		*		1
5	13160304	S SHAPED HOOK		*		2
6	26037903	CHAIN		*		1
7	12288403	TWEEZERS		*		1
8	22933006	SCREW DRIVER,LARGE				1
9	MUY128S1003	NEEDLES(PACKAGE_OF_3)				1
10	40066645	HEAD_COVER				1
11	13160601	FUNNEL				1
12	13302203	SCREW				1
13	13142500	CARTRIDGE_FILTER				1
14	MML018900CA	JUKI MACHINE OIL 18				1
15	B9101490000	DRIVER				1
16	13155403	DUST-PROOF RUBBER				3
17	13429709	BELT_COVER				1
18	13349600	PIN_FOR_RUBBER_CUSHION				4
19	SK3412001SE	WOOD SCREW D=4.1 L=20				3
20	40072505	ISOLATOR				1
21	CM600100201	WEEE INFORMATION SHEET				1
22	NM6080003SC	NUT M8				4
23	SM4040655SP	SCREW M4 L=6				1
24	WP0851216SC	WASHER 8.5X18.0X1.2				4
25	WS0820002KR	SPRING WASHER, M8				4
26	22933204	SCREW DRIVER,SMALL				1
27	HX00150000C	CABLE CLIP				1
28	WP0450826SC	WASHER 4.5X10X0.8				3

LIST FOR INFORMATION OF CHANGE

As to the place changed, refer to the corresponding Rev.No.
 When previous parts(Obsoleted part)and new parts(Added parts)are
 not interchangeable with each other:
 In this case,even obsoleted parts(D.)can be ordered with the
 obsoleted part number,so select the parts with changed dates and
 place your orders.

変更箇所は、該当Rev.No.版をご参照ください。
 部品の互換性がない変更の場合は、削除された品番でも、ご注文できます。

13450200
 No.1380-06 Rev.No.

*A:Added parts追加部品/D:Obsoleted parts削除部品/E:Erratum訂正

* Rev. No.	Page 頁	Ref. No.	Parts No. 品番	* Rev. No.	Page 頁	Ref. No.	Parts No. 品番
D 05	2	3	SM-8040412-TP				
D 05	4	29	133-01908				
D 05	4	30	133-02500				
D 05	4	39	SM-6040870-SP	A 06	4	39	SM-6040860-TP
				A 06	4	34	400-82196
				A 06	4	35	SM-6040750-TP
				A 06	4	52	400-53156
D 05	6	59	400-64975	A 06	6	59	400-88113
D 05	8	35	SM-8040410-TP	A 06	8	35	SM-8040412-TP
D 05	8	68	SM-9062550-TP	A 06	8	68	SM-6062550-TP
D 05	12	60	SM-4040655-SN	A 06	12	60	SM-4040655-SP
D 05	16	24	SM-6040800-SP	A 06	16	24	SM-6041000-SP
D 05	18	15	SM-6040600-SP	A 06	18	15	SM-6040602-TP
D 05	18	23	400-64974	A 06	18	23	400-88112
				A 06	18	27	400-87053
				A 06	18	28	400-87054
				A 06	18	29	400-87068
				A 06	18	30	400-87055
D 05	22	19	B2107-816-000	A 06	22	19	131-20605
				A 06	22	51	400-87067
D 05	28	5	131-68307	A 06	28	5	131-68802
D 05	28	9	400-56675	A 06	28	9	131-67903
D 05	28	11	131-68109	A 06	28	11	400-86675
				A 06	28	30	131-68505
				A 06	28	31	131-68406
				A 06	28	32	SK-3382001-SE
				A 06	28	33	SM-4061201-SE
				A 06	28	34	NM-6060001-SE
D 05	30	30	134-33503				
D 05	30	51	400-40515	A 06	30	51	400-58033
D 05	30	53	134-31200				
				A 06	30	76	400-82974

HOW TO MAKE USE OF THIS PARTS LIST

1.Explanation of codes

1)"*"mark.....means this part is changed from the previous parts book.

As to the details of the change, refer to the "List for information of change".

2)"#01".....refer to "Note" explanation at bottom of page.

2.Codes on the "Qty" column

- Each numeral indicates the number of parts required.
- "0.1" and "2.5" indicate the length (in meters) of the respective parts.

3.Parentheses mean that the corresponding part is a subpart that constructs an assembly part.

4.Dotted lines on the Figures indicate assembly parts.

1."注記"欄の記号説明

1) "*"印.....前回のパーツブックに比較して今回変更された部品を意味します。

変更内容は、"変更情報リスト"を参照してください。

2) "#01".....ページ下の"注記"の説明を参照してください。

2.数量欄の数字は、個数を表し、0.1、2.5等の数値は、長さ（単位メートル）を表します。

3.数量欄の（ ）は、組部品を構成している子部品であることを意味します。

4.イラストページの-----枠は、組構成であることを意味します。

NUMERICAL INDEX OF PARTS

PART NO	PAGE	REF NO.	PART NO	PAGE	REF NO.	PART NO	PAGE	REF NO.
10753309	6	8	13302302	2	52	13314752	16	55
11856101	42	5	13302302	4	52	13314802	16	54
11856101	52	6	13302401	2	28	13314901	16	59
12116604	18	37~41	13302708	2	43	13315007	16	49
12116703	18	37~41	13307004	10	1	13315106	16	61
12116802	18	37~41	13307251	10	4	13315205	14	47
12116901	18	37~41	13307301	10	7	13315304	16	63
12117008	18	37~41	13307459	10	9	13315353	16	62
12288403	54	7	13307509	10	11	13315502	16	67
12347308	54	4	13307608	10	16	13315551	16	66
13120605	20	91	13307657	10	13	13315601	16	72
13120605	36	19	13307707	10	22	13315650	16	71
13123302	16	76	13307806	12	66~68	13315700	16	73
13123302	24	58	13308309	10	37	13315809	16	74
13138201	40	22	13309000	10	35	13315908	14	30
13140504	40	9	13309158	10	32	13316203	14	41
13142500	44	59	13309208	10	23	13316302	14	34
13142500	54	13	13309307	12	66~68	13317300	18	21
13155403	54	16·20	13309406	12	66~68	13318001	20	67
13160304	54	5	13311006	14	3	13318308	20	75
13160601	54	11	13311204	14	2	13318704	18	15~17
13167903	46	9	13311253	14	1	13318803	18	15~17
13168000	46	10	13311303	14	4	13318902	18	15~17
13168208	46	12	13311451	14	21	13321203	24	57
13168356	46	4	13311501	14	14	13323308	18	9~11
13168406	46	31	13311600	14	13	13323407	18	9~11
13168505	46	30	13311808	14	20	13323506	18	9~11
13168802	46	5	13311907	14	19	13324009	10	17
13170105	44	50	13311956	14	18	13324108	10	51
13217401	24	54	13312103	14	10~12	13324108	12	51
13217500	24	53	13312202	14	10~12	13324207	10	18
13217708	24	56	13312301	14	10~12	13324306	26	3
13228200	42	33	13313101	14	25	13324504	26	5
13228309	42	29	13313309	14	26	13324603	26	8
13300702	6	6	13313408	14	27	13324702	26	10
13300801	6	11	13313606	14	33	13324801	26	12
13300900	2	10~12	13313705	14	29	13324900	26	13
13300959	2	9	13313804	14	37	13325006	26	15
13301007	2	14	13313903	14	40	13325105	26	17
13301304	2	15	13313952	14	39	13325204	26	23
13301403	2	26	13314109	14	44	13325402	26	28
13301700	2	20	13314356	14	46	13325501	26	30
13301809	2	30	13314406	16	51	13325600	26	34
13302203	6	12	13314505	16	58	13325709	26	31
13302203	54	12	13314703	16	56	13325808	28	57

NUMERICAL INDEX OF PARTS

PART NO	PAGE	REF NO.	PART NO	PAGE	REF NO.	PART NO	PAGE	REF NO.
13325907	28	58	13343306	42	35	13375704	48	60
13326004	28	59	13343405	42	30	13375704	50	60
13326103	28	60	13343603	42	3	13376009	48	23~25
13326202	6	43	13343652	42	2	13376058	48	11~13
13326202	28	61	13343801	44	58	13376900	48	63
13326301	28	48	13343900	42	1	13376900	50	63
13326350	26	47	13344056	42	7	13377007	48	64
13326400	28	49	13344155	42	8	13377007	50	64
13326509	28	51	13344205	42	4	13377106	48	84
13326608	28	53	13344502	42	13	13377106	50	84
13326707	28	63	13344601	42	12	13399209	30	8
13326806	14	16	13344700	42	14	13400601	6	28
13326905	26	37	13344809	44	60	13400650	6	27
13327002	26	40	13345053	42	23	13400700	6	37
13327101	26	43	13345202	44	61	13400809	6	38
13328000	30	4	13346101	44	54	13400908	2	32
13328109	30	3	13346309	44	52	13400957	2	31
13328158	30	1	13346408	42	84	13401005	2	36
13328208	30	5	13346408	44	84	13401104	2	47
13328307	30	25	13348008	26	18	13401203	2	34
13328406	30	7	13349600	54	18	13401302	6	47
13328505	30	16	13350004	48	1~3	13401351	6	46
13328554	30	12	13350103	48	1~3	13401401	8	50
13328604	30	17	13350301	48	70·71	13401500	6	16
13328703	30	18	13350301	50	70·71	13401609	6	25
13328802	30	21	13350400	50	70·71	13401708	6	19
13329008	30	10	13350509	48	1~3	13401757	6	15
13329107	30	11	13352307	50	74·75	13401807	6	17
13329206	30	28	13352406	50	74·75	13401906	6	20
13329404	30	23	13375001	48	67	13402003	6	44
13333208	14	42	13375001	50	67	13402102	8	48
13337100	12	53	13375050	48	55	13402201	6	13
13338900	30	29	13375050	50	55	13402300	6	40
13340005	40	1	13375100	48	59	13402409	6	42
13340104	40	2	13375100	50	59	13402706	2	38
13340203	40	14	13375209	48	82	13402805	6	41
13340302	40	15	13375209	50	82	13402904	2	46
13340500	40	11	13375308	48	66	13403407	6	32
13340609	40	19	13375308	50	66	13403506	2	40
13340708	40	20	13375407	48	65	13403605	2	44
13341359	40	5	13375407	50	65	13406608	10	2
13341607	40	18	13375506	48	68	13406707	10	30
13343009	42	25	13375506	50	68	13406905	10	28
13343108	42	28	13375605	48	61	13407101	10	29
13343207	42	34	13375605	50	61	13407200	12	56

NUMERICAL INDEX OF PARTS

PART NO	PAGE	REF NO.	PART NO	PAGE	REF NO.	PART NO	PAGE	REF NO.
13407259	12	50	13413406	22	3	13420807	34	3
13407457	10	39	13413604	22	6	13420906	34	18
13407507	10	45	13413703	20	81	13421003	34	10
13407606	12	70	13413802	20	82	13421201	34	2
13407804	12	61	13413901	20	79	13421300	34	12
13407903	12	62	13413950	20	78	13421409	34	19
13408307	10	26	13414008	20	80	13422001	36	1
13408406	10	41	13414107	20	84	13422605	38	48
13408505	10	43	13414206	22	20	13422704	36	16
13408604	12	63	13414305	18	36	13422803	36	18
13408703	12	60	13414404	18	43	13422902	36	23
13408802	20	66	13414503	20	56	13423009	36	21
13409107	20	61	13414701	22	47	13423108	36	24
13409107	22	11	13415104	22	46	13423306	36	39
13409206	20	60	13415500	20	63	13423405	36	32
13409206	22	10	13415500	22	13	13423504	36	36
13409305	24	48	13415708	18	26	13423603	36	35
13409602	22	25	13415807	18	28	13423702	36	40
13409701	22	26	13415906	18	29	13423801	36	43
13409800	22	27	13416052	22	29	13423900	36	47
13409909	22	23	13416102	22	31	13424106	12	58
13410006	18	1	13416201	22	32	13424205	12	57
13410105	18	8	13416458	22	35	13424304	38	49
13410204	18	13	13416508	22	37	13424403	36	13
13410600	18	22~24	13416706	22	41	13424452	36	12
13410709	18	22~24	13416854	22	40	13424502	36	15
13410808	18	22~24	13417100	24	55	13424601	36	30
13411004	18	27	13417209	32	1	13424700	36	42
13411152	20	76	13417308	32	3	13424809	36	46
13411202	22	16	13417407	32	4	13425202	36	27
13411301	20	72	13417506	32	10	13426002	42	27
13411400	20	71	13417704	32	7	13426051	42	24
13411509	18	34	13417803	32	14	13426101	42	31
13411608	18	46	13417902	32	8	13426200	42	32
13411707	20	59	13418009	32	21	13426309	42	47
13411707	22	9	13418207	32	17	13426408	44	49
13411806	20	64	13418306	32	2	13426606	44	55
13411806	22	14	13420005	34	8	13426754	44	79
13411905	20	53	13420104	34	11	13426903	44	73
13412002	20	50~52	13420203	34	15	13427257	42	15
13412101	20	50~52	13420302	34	17	13427307	42	22
13412200	20	50~52	13420401	34	1	13427455	44	86
13412705	22	38	13420500	34	5	13427604	44	57
13413208	22	39	13420609	34	6	13427703	44	83
13413307	20	86	13420708	34	14	13427752	44	82

NUMERICAL INDEX OF PARTS

PART NO	PAGE	REF NO.	PART NO	PAGE	REF NO.	PART NO	PAGE	REF NO.
13427802	44	76	30391601	26	24	40072505	54	16·20
13427851	44	75	40004749	42	41	40072506	46	1
13428008	44	88	40013913	54	1	40082196	6	34
13428255	44	81	40018259	14	31	40082974	50	76
13428305	44	77	40019163	42	9	40082975	50	79
13429055	52	1	40022406	4	58	40086675	46	11
13429105	52	3	40022804	36	41	40087053	32	27
13429204	52	4	40023349	4	54	40087054	32	28
13429303	52	5	40028110	42	17	40087055	32	30
13429709	54	17	40033340	2	18	40087067	38	51
13430103	50	54	40033341	2	19	40087068	32	29
13430707	48	30	40033518	2	17	40088112	32	23
13431200	48	9	40040154	22	43	40088113	12	59
13432109	48	31	40040155	24	51	B1248280000	18	42
13432901	50	53	40040208	22	44	B1426180A00	18	3~6
13433503	48	10	40040513	50	51·52	B1426180B00	18	3~6
13438007	2	1	40040514	48	4~6	B1426180C00	18	3~6
13438106	2	2	40042362	40	21	B1426180D00	18	3~6
13765607	44	78	40042363	40	13	B2008372000	40	16
22901805	2	5~8	40042364	40	10	B2546232000	18	30
22902506	2	10~12	40042365	40	24	B3121804000	40	12
22924708	6	10	40042366	40	23	B3215470000	20	70
22930309	46	13	40053156	8	52	B9101490000	54	15
22930408	46	7	40058033	50	51·52	B9213850000	26	19
22930705	46	29	40058587	48	4~6	B9214850000	26	20
22930804	46	17	40058588	48	23~25	BP30000010R	42	72
22930903	46	16	40058589	48	11~13	BP30000010R	44	72
22931000	46	15	40058706	48	4~6	BT0600402EA	52	9
22931109	46	14	40058707	48	23~25	CM300200001	2	5~8
22931307	46	8	40058708	48	11~13	CM3002001B1	6	5
22931406	46	6	40064969	32	26	CM600100101	4	56
22932800	54	2	40064970	32	16	CM600100201	54	21
22933006	54	8	40064971	32	12	CQ202000000	20	49
22933105	54	3	40065784	40	17	CQ300000001	12	65
22933204	54	26	40065785	40	6	CQ300000001	20	58
22945505	28	52	40066136	40	8	CQ300000001	22	5
22945802	28	50	40066645	54	10	CQ303000000	18	25
23537202	16	50	40070224	50	80	CQ303000000	30	13
23612609	26	9	40070226	50	85	CQ303000000	52	10
23629306	42	68	40070227	50	86	CS0800881TP	16	52
23629306	44	68	40070229	50	77	CS1000881TP	24	49
23630007	6	31	40070230	50	93	CS1000881TP	26	6
23630007	42	89	40070231	50	88	CS1000881TP	30	19
23630007	44	89	40070559	14	28	CS1000881TP	36	9
26037903	54	6	40070573	14	24	E3025721000	20	62

NUMERICAL INDEX OF PARTS

PART NO	PAGE	REF NO.	PART NO	PAGE	REF NO.	PART NO	PAGE	REF NO.
E3025721000	22	12	RE0500000K0	32	9	SM4040655SP	2	29
HX00150000C	54	27	RO037180100	6	24	SM4040655SP	6	21
MML018900CA	54	14	RO037180100	32	5	SM4040655SP	24	60
MUY128S1000	48	72	RO055200100	20	73	SM4040655SP	26	62
MUY128S1000	50	72	RO068190100	20	77	SM4040655SP	28	62
MUY128S1003	54	9	RO068190100	22	45	SM4040655SP	32	22
NM6030001SD	50	92	RO118240100	36	26	SM4040655SP	40	4
NM6040001SP	2	51	RO195240100	6	9	SM4040655SP	42	90
NM6040001SP	4	51	SB115002300	12	49	SM4040655SP	44	90
NM6040001SP	6	30	SB120001900	10	19	SM4040655SP	52	8
NM6040001SP	18	90	SB30800110A	14	5~8	SM4040655SP	54	23
NM6040001SP	20	90	SB30800110B	14	5~8	SM4040855SP	6	36
NM6040001SP	42	19	SB30800110C	14	5~8	SM4041001SC	46	21
NM6040002SE	46	25	SB30800110D	14	5~8	SM4041055SP	2	50
NM6050001SC	20	92	SB32600020A	36	3~7	SM4041055SP	4	50
NM6050001SE	46	20	SB32600020B	36	3~7	SM4041055SP	6	51
NM6050001SP	18	33	SB32600020C	36	3~7	SM4041055SP	8	51
NM6050001SP	28	54	SB32600020D	36	3~7	SM4041055SP	26	14
NM6050001SP	30	27	SB32600020E	36	3~7	SM4041055SP	40	25
NM6050001SP	36	20	SD0550906TP	12	52	SM4041055SP	44	62
NM6050001SP	42	44	SD0640246SP	2	24	SM4041201SC	46	23
NM6050003SC	20	93	SD0700206TP	14	45	SM4041655SP	40	7
NM6060001CP	16	69	SD0700586TP	16	65	SM4042001SC	46	24
NM6060001SE	46	34	SD0800626TH	22	8	SM4051055SP	12	55
NM6080003SC	54	22	SD0801636TH	20	55	SM4051255SP	4	57
NM6160511SE	46	28	SD0801866TH	22	7	SM4051255SP	22	52
PH0300252C0	6	22	SK3382001SE	46	32	SM4051255SP	24	52
PS0150042K0	8	49	SK3412001SE	54	19	SM4051405SE	46	19
PS0150042K0	36	17	SL4040805SC	2	49	SM4051655SP	4	55
PS0150065KP	50	78	SL4040805SC	4	49	SM4061201SE	46	33
PS0150082KH	26	21	SL4041081SC	52	2	SM4850455SP	22	34
PS0200142K0	32	6	SM0081001SD	44	51	SM4850455SP	26	42
PS0300122KH	12	64	SM1040800SP	2	37	SM4850455SP	32	19
PS0400082KP	10	36	SM1040800SP	26	46	SM5050855SN	4	59
PS0500142KP	16	60	SM1040860SP	6	45	SM6030500SN	14	36
PS0500202KP	22	2	SM1850600SP	48	87	SM6030600SP	4	48
RC1900002KP	44	74	SM1850600SP	50	87	SM6030600SP	32	13
RC2251213KP	18	7	SM4030455SN	2	22	SM6030650TP	22	33
RC4381514KP	12	73	SM4030455SP	14	32	SM6040600SP	42	37
RC4881514KP	12	72	SM4030455SP	26	33	SM6040602TP	32	15
RE0300000K0	2	41	SM4030455SP	36	29	SM6040750TP	6	35
RE0300000K0	16	77	SM4030655SP	6	33	SM6040800SP	22	21
RE0300000K0	22	1	SM4030655SP	14	17	SM6040800SP	28	56
RE0500000K0	18	74	SM4030655SP	26	45	SM6040800SP	34	4
RE0500000K0	20	74	SM4030855SN	26	26	SM6040800SP	48	81

NUMERICAL INDEX OF PARTS

PART NO	PAGE	REF NO.	PART NO	PAGE	REF NO.	PART NO	PAGE	REF NO.
SM6040800SP	50	81	SM8040412TP	32	11	SQ2050391SD	44	87
SM6040860TP	6	39	SM8040412TP	34	20	SQ2050452MZ	42	42
SM6041000SP	14	38	SM8040412TP	36	50	SQ2060442SD	44	85
SM6041000SP	20	83	SM8040412TP	38	50	SQ2060443SD	42	67
SM6041000SP	30	24	SM8040512TP	22	36	SQ2060443SD	44	67
SM6041000SP	32	20	SM8040602TP	20	68	SQ2060451MZ	42	40
SM6041000SP	36	38	SM8041012TP	6	29	ST4040851SN	26	22
SM6041002TP	36	44	SM8050412TP	12	71	TA0290301M0	52	7
SM6041200SP	14	43	SM8050412TP	16	53	TA0400301M0	36	8
SM6041200SP	30	22	SM8050412TP	24	50	TA0500601M0	18	57
SM6041202TP	16	64	SM8050412TP	26	7	TA0500601M0	20	57
SM6042000SP	20	89	SM8050412TP	30	20	TA0500601M0	22	4
SM6043000SP	42	36	SM8050412TP	32	24	TA0600401R0	36	31
SM6051000SP	14	15	SM8050412TP	36	10	TA0850604R0	6	1
SM6051002TP	26	1	SM8050412TP	42	26	TA1050504R0	2	10~12
SM6051202TP	16	57	SM8050512TP	10	44	TA1250406R0	2	5~8
SM6051400SP	2	45	SM8050512TP	18	88	TA1701002R0	2	5~8
SM6051400SP	18	32	SM8050512TP	20	88	TA1900502R0	4	53
SM6051400SP	22	42	SM8050512TP	34	13	TA2050406R0	2	4
SM6051402TP	26	11	SM8050612TP	36	2	TA2351004R0	6	3
SM6051602TP	42	46	SM8050642TP	36	11	WP0280500SC	50	90
SM6060800SP	2	25	SM8050812TP	20	85	WP0280501SC	26	41
SM6060800SP	16	78	SM8050812TP	36	25	WP0280501SC	32	18
SM6061002TP	16	48	SM8060412TP	20	65	WP0320500SC	36	28
SM6061200SP	10	25	SM8060412TP	22	15	WP0320501SC	26	44
SM6061202TP	16	70	SM8060552TP	10	48	WP0430800SC	32	25
SM6061402TP	10	15	SM8060552TP	12	48	WP0450826SC	22	18
SM6061402TP	30	6	SM8060552TP	18	87	WP0450826SC	28	55
SM6061402TP	36	14	SM8060552TP	20	87	WP0450826SC	54	28
SM6061610SC	46	18	SM8060552TP	22	30	WP0450846SP	22	22
SM6062550TP	16	68	SM8060612TP	6	4	WP0460556SD	16	75
SM6081802TP	44	48	SM8060612TP	10	40	WP0460556SD	22	19
SM6850400SP	50	89	SM8060612TP	18	2	WP0522016SH	26	4
SM8030312TP	26	25	SM8060612TP	30	15	WP0550800SP	2	42
SM8030350TP	48	73	SM8060812TP	10	38	WP0550800SP	30	26
SM8030350TP	50	73	SM8060812TP	42	6	WP0550800SP	42	45
SM8030412TP	48	83	SM8060842TP	10	47	WP0550836SC	4	60
SM8030412TP	50	83	SM8061212TP	10	31	WP0621016SD	24	59
SM8031002TP	50	91	SM8080812TP	10	24	WP0702026SP	14	22
SM8040360TP	2	39	SM8550952TP	12	69	WP0851216SC	54	24
SM8040360TP	6	23	SM9061050TP	30	14	WP1022016SH	30	30
SM8040412TP	14	35	SQ0000451MZ	42	38	WP1612616SE	46	26
SM8040412TP	20	69	SQ0000452MZ	44	66	WS0510002KN	28	64
SM8040412TP	22	28	SQ0000453MZ	44	63	WS0510002KN	46	3
SM8040412TP	30	9	SQ0000454MZ	44	64	WS0510002KP	12	54

NUMERICAL INDEX OF PARTS

PART NO	PAGE	REF NO.
WS0510002KP	26	2
WS0820002KR	54	25
WS1643202KR	46	27
WZ0641510KP	2	21
WZ1052010KP	14	23