

MODEL : MP-200N

List No : 1369-04

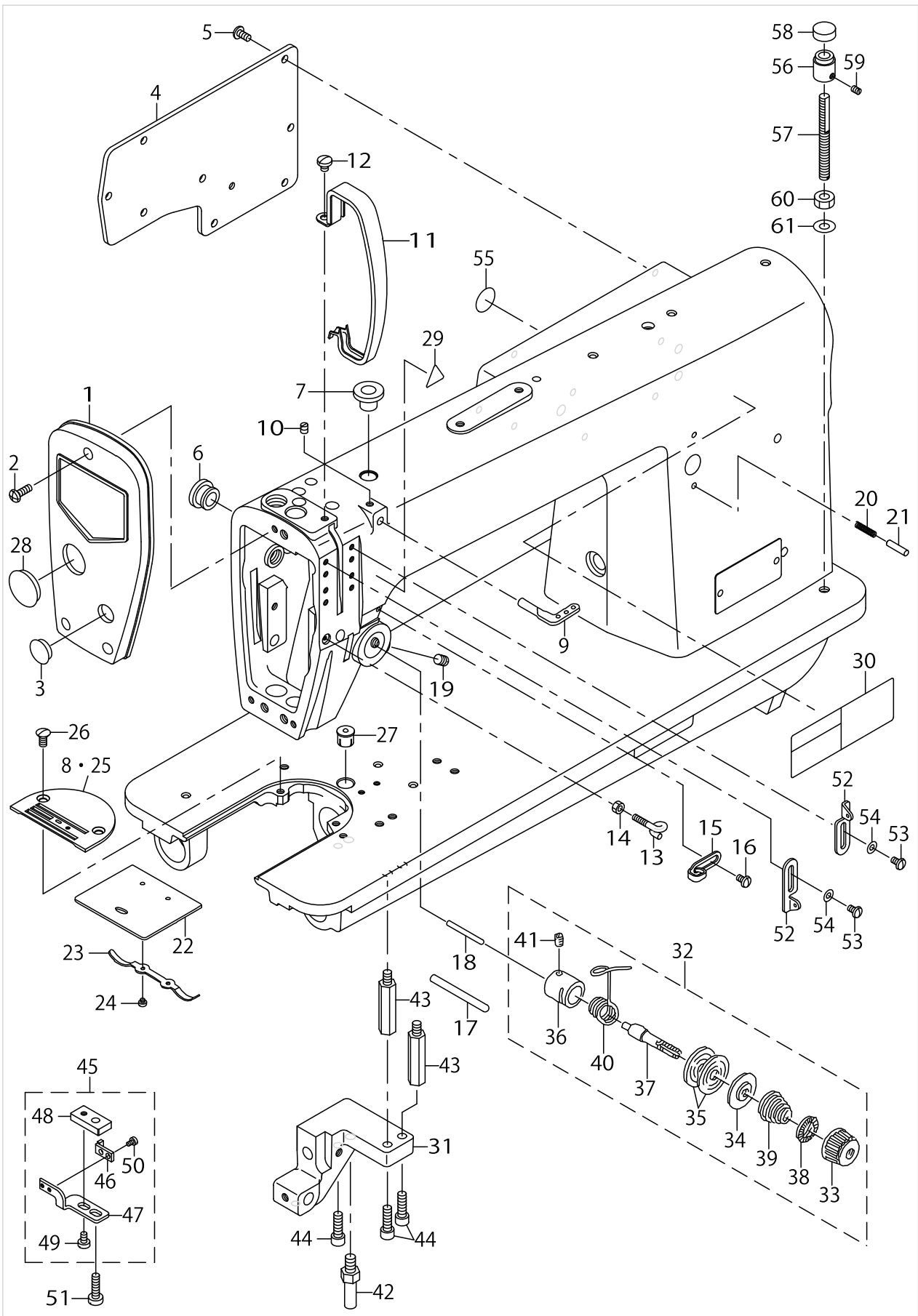
PARTS LIST

Published:09/10/2017

CONTENTS

| | |
|---|----|
| FRAME & MISCELLANEOUS COVER COMPONENTS | 1 |
| MAIN SHAFT & NEEDLE BAR COMPONENTS | 5 |
| UPRIGHT SHAFT & HOOK DRIVING SHAFT COMPONENTS | 9 |
| PRESSER BAR & KNEE LIFTER COMPONENTS..... | 11 |
| FEED MECHANISM COMPONENTS..... | 13 |
| LOOPER & SPREADER COMPONENTS | 17 |
| OIL LUBRICATION COMPONENTS | 21 |
| THREAD STAND COMPONENTS..... | 23 |
| ACCESSORIE PARTS COMPONENTS | 25 |
| OPTIONAL PARTS | 29 |
| LIST FOR INFORMATION OF CHANGE..... | 31 |
| HOW TO MAKE USE OF THIS PARTS LIST | 32 |

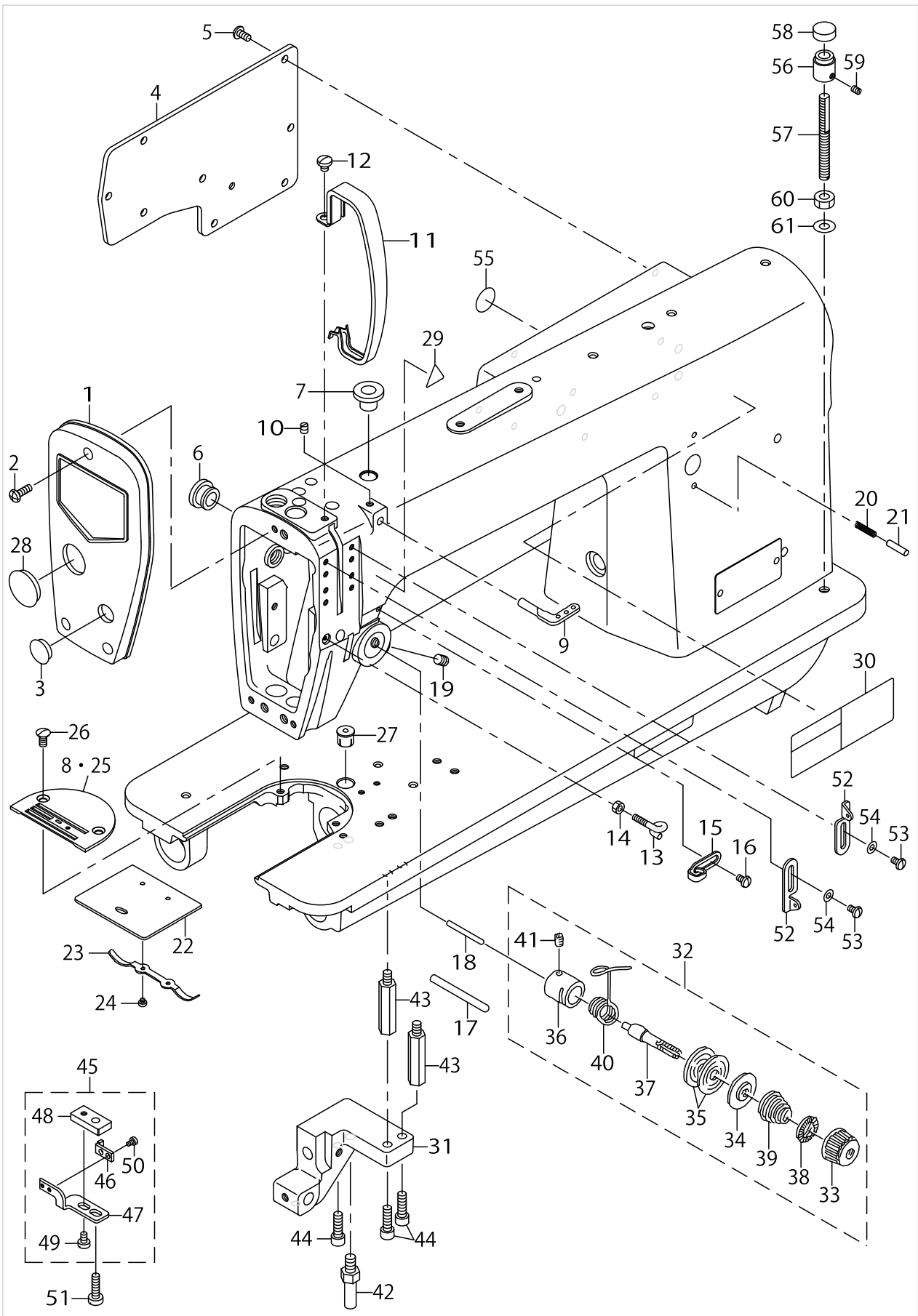
FRAME & MISCELLANEOUS COVER COMPONENTS



FRAME & MISCELLANEOUS COVER COMPONENTS

| No. | Parts No. | Parts name | Remarks | Level | Cons | Qty |
|-----|-------------|------------------------------|---------|-------|------|-----|
| 1 | 40114236 | FACE PLATE ASM. | | | | 1 |
| 2 | SS4111215SP | SCREW 11/64-40 L=12 | | | | 3 |
| 3 | TA1250406R0 | RUBBER PLUG D=12.5 L=4 | | | | 1 |
| 4 | B111852200A | SIDE PLATE | | | | 1 |
| 5 | SS4110815SP | SCREW 11/64-40 L=8 | | | | 8 |
| 6 | TA1250705R0 | RUBBER PLUG | | | | 1 |
| 7 | B1156115000 | RUBBER PLUG | | | | 1 |
| 8 | 23123508 | NEEDLE PLATE (2.2X7.6) | L TYPE | | | 1 |
| 9 | B1128522000 | THREE HOLE THREAD EYELET | | | | 1 |
| 10 | SS8110510SP | SCREW 11/64-40 L=5 | | | | 1 |
| 11 | 11415205 | THREAD TAKE-UP LEVER COVER | | | | 1 |
| 12 | SS7110510SP | SCREW 11/64-40 L=5 | | | | 1 |
| 13 | B3114771000 | THREAD GUIDE | | | | 1 |
| 14 | NS6090310SP | NUT 9/64-40 | | | | 1 |
| 15 | B1126552000 | ARM THREAD GUIDE A | | | | 1 |
| 16 | SS5090610SP | SCREW 9/64-40 L=6 | | | | 1 |
| 17 | B3127127000 | THREAD RELEASE AUXILIARY PIN | | | | 1 |
| 18 | B3118552F00 | TENSION RELEASING PIN | | | | 1 |
| 19 | SS8150710SP | SCREW 15/64-28 L=7 | | | | 1 |
| 20 | 22912109 | SPRING | | | | 1 |
| 21 | 22912000 | FEED REGULATOR PIN | | | | 1 |
| 22 | B1110012000 | SLIDE PLATE | | | | 1 |
| 23 | B1111012000 | BED SLIDE SPRING | | | | 1 |
| 24 | SS6060210SP | SCREW 3/32-56 L=1.9 | | | | 2 |
| 25 | 23123102 | NEEDLE PLATE (1.6X4.2) | S TYPE | | | 1 |
| 26 | SS2110920TP | SCREW 11/64-40 L=8.5 | | | | 2 |
| 27 | 40130708 | OIL CUP | | | | 1 |
| 28 | TA2050406R0 | RUBBER PLUG | | | | 1 |
| 29 | CM300200001 | ATTENTION SEAL | | | | 1 |
| 30 | CM301300001 | SAFETY LABEL | | | | 1 |
| 31 | 23120801 | LOOPER BASE | | | | 1 |
| 32 | 40011503 | THREAD TENSION ASM. | | | | 1 |
| 33 | 22921308 | THREAD TENSION NUT | | * | | 1 |
| 34 | 22921803 | DISK STOPPER | | * | | 1 |
| 35 | 22921506 | THREAD TENSION DISK | | * | | 2 |
| 36 | 22945307 | THREAD TENSION POST BASE | | * | | 1 |
| 37 | 22921209 | THREAD TENSION POST | | * | | 1 |
| 38 | 22921407 | ROTATION STOPPER | | * | | 1 |
| 39 | 40054785 | THREAD TENSION SPRING | | * | | 1 |
| 40 | 40054784 | THREAD TAKE-UP SPRING | | * | | 1 |
| 41 | SS8090670SP | SCREW 9/64-40 L=5.5 | | * | | 1 |
| 42 | 22602601 | BED SCREW STUD | | | | 1 |
| 43 | 23132301 | BASE FOOT | | | | 2 |
| 44 | SM6051602TP | SCREW M5X0.8 L=16 | | | | 3 |
| 45 | 23120959 | LOOP GUIDE ASM. | | | | 1 |
| 46 | 23131808 | LOOP GUIDE | | * | | 1 |
| 47 | 23120900 | LOOP GUIDE FITTING PLATE | | * | | 1 |

FRAME & MISCELLANEOUS COVER COMPONENTS



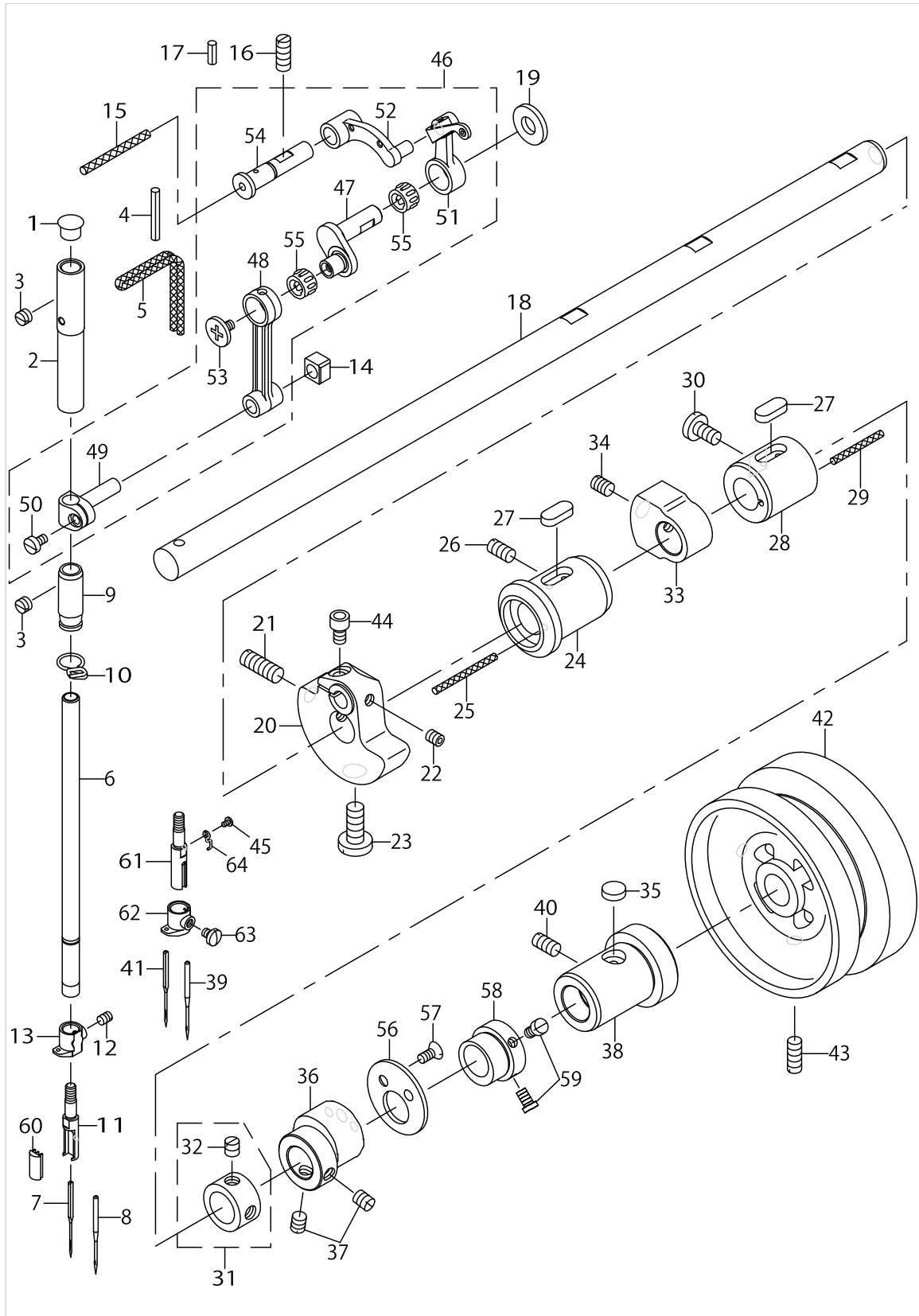
FRAME & MISCELLANEOUS COVER COMPONENTS

| No. | Parts No. | Parts name | Remarks | Level | Cons | Qty |
|-----|-------------|--------------------------|---------|-------|------|-----|
| 48 | B1835111000 | NEEDLE HOLDER BASE | | * | | 1 |
| 49 | SS6090630SP | SCREW 9/64-40 L=6 | | * | | 1 |
| 50 | SS6060440TP | SCREW 3/32-56 L=3.5 | | * | | 2 |
| 51 | SS6111620SP | SCREW 11/64-40 L=16.0 | | | | 1 |
| 52 | 23126501 | BALANCE THREAD GUIDE | | | | 2 |
| 53 | SS5090610SP | SCREW 9/64-40 L=6 | | | | 4 |
| 54 | WP0370316SD | WASHER 3.7X8X0.3 | | | | 4 |
| 55 | 22901805 | GROUND MARK | | | | 1 |
| 56 | B1660481000 | STOPPER | | | | 1 |
| 57 | B1661481000 | SCREW | | | | 1 |
| 58 | B1662481000 | LEVER STOPPER RUBBER CAP | | | | 1 |
| 59 | SS8090540SP | SCREW 9/64-40 L=5 | | | | 1 |
| 60 | NS6150430SP | NUT 15/64-28 | | | | 1 |
| 61 | WP0621016SD | WASHER 6.2X13X1 | | | | 1 |

MAIN SHAFT & NEEDLE BAR COMPONENTS

| No. | Parts No. | Parts name | Remarks | Level | Cons | Qty |
|-----|--------------|--------------------------------|---------|-------|------|------|
| 1 | 22901409 | NEEDLE BAR UPPER BUSH CAP | | | | 1 |
| 2 | 22906101 | NEEDLE BAR BUSHING UPPER | | | | 1 |
| 3 | SS8150310SP | SCREW 15/64-28 L=3.4 | | | | 2 |
| 4 | PS0350252KR | SPRING PIN 3.5X25 | | | | 1 |
| 5 | CQ202000000 | OIL WICK | | | | 0.23 |
| 6 | 23124001 | NEEDLE BAR | | | | 1 |
| 7 | MC231000900 | NEEDLE 29-C-150 NM90 | S TYPE | | | 1 |
| 8 | MC276001000 | NEEDLE 29-C-151 NM100 | S TYPE | | | 1 |
| 9 | B1403553000 | NEEDLE BAR BUSHING LOWER | | | | 1 |
| 10 | 40023223 | NEEDLE BAR THREAD GUIDE | | | | 1 |
| 11 | 23124100 | NEEDLE CLAMP S | S TYPE | | | 1 |
| 12 | SS8090540SP | SCREW 9/64-40 L=5 | S TYPE | | | 1 |
| 13 | 23124209 | NEEDLE HOLDER S | S TYPE | | | 1 |
| 14 | B1414555000 | SLIDE BLOCK | | | | 1 |
| 15 | CQ202000000 | OIL WICK | | | | 0.08 |
| 16 | SS8151550SP | SCREW 15/64-28 L=15 | | | | 1 |
| 17 | PS0350102KR | SPRING PIN 3.5X10 | | | | 1 |
| 18 | B1201201000A | MAIN SHAFT | | | | 1 |
| 19 | B2529352000 | PROTECTION PLATE | | | | 1 |
| 20 | 23121007 | COUNTER WEIGHT | | | | 1 |
| 21 | SS8681950SP | SCREW 9/32-28 L=19 | | | | 1 |
| 22 | SM8050612TP | SCREW M5X6 | | | | 1 |
| 23 | SS7681750TP | SCREW 9/32-28 L=16.5 | | | | 1 |
| 24 | B1202201000 | MAIN SHAFT BUSHING FRONT | | | | 1 |
| 25 | CQ202000000 | OIL WICK | | | | 0.18 |
| 26 | SS8151150SP | SCREW 15/64-28 L=10.5 | | | | 1 |
| 27 | B1702012000 | OIL FELT | | | | 2 |
| 28 | B1203201000 | MAIN SHAFT BUSHING INTERMEDIA | | | | 1 |
| 29 | CQ202000000 | OIL WICK | | | | 0.18 |
| 30 | SS7151120SP | SCREW 15/64-28 L=11 | | | | 1 |
| 31 | 22904155 | MAIN SHAFT THRUST COLLAR ASM. | | | | 1 |
| 32 | SS8660610TP | SCREW 1/4-40 L=6 | | * | | 2 |
| 33 | 23122401 | BALANCER | | | | 1 |
| 34 | SS8660810TP | SCREW 1/4-40 L=8 | | | | 1 |
| 35 | B3511280000 | OIL FELT | | | | 1 |
| 36 | 23121601 | HORIZONTAL FEED TRIANGULAR CAM | | | | 1 |
| 37 | SS8150710TP | SCREW 15/64-28 L=7 | | | | 2 |
| 38 | B1204141H00 | ARM SHAFT BUSHING REAR | | | | 1 |
| 39 | MCP12JB2300 | NEEDLE CPX12J #23 | L TYPE | | | 1 |
| 40 | SS8151150SP | SCREW 15/64-28 L=10.5 | | | | 1 |
| 41 | MCP1JJB2200 | NEEDLE CPX1J #22U | L TYPE | | | 1 |
| 42 | 23122302 | HAND WHEEL | | | | 1 |
| 43 | SS8151550SP | SCREW 15/64-28 L=15 | | | | 2 |
| 44 | SM6050802TP | SCREW M5X0.8 L=8 | | | | 1 |
| 45 | SS5060310SP | SCREW 3/32-56 L=2.8 | L TYPE | | | 1 |
| 46 | 23121155 | BALANCE ASM. | | | | 1 |
| 47 | 23121106 | NEEDLE BAR CRANK (10MM) | | * | | 1 |

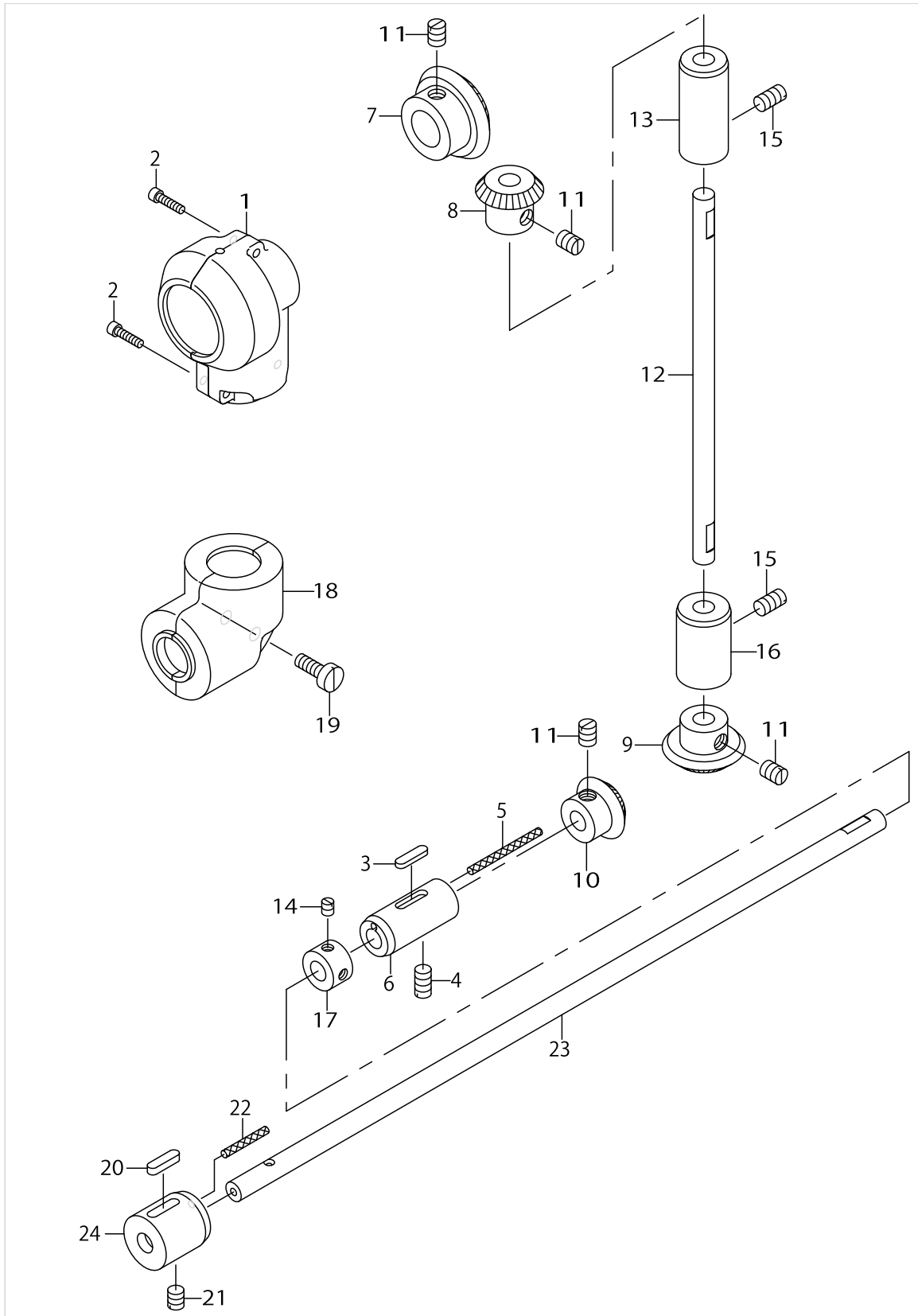
MAIN SHAFT & NEEDLE BAR COMPONENTS



MAIN SHAFT & NEEDLE BAR COMPONENTS

| No. | Parts No. | Parts name | Remarks | Level | Cons | Qty |
|-----|-------------|-----------------------------|---------|-------|------|-----|
| 48 | B1408201000 | NEEDLE BAR CRANK ROD | | * | | 1 |
| 49 | B1411552000 | NEEDLE BAR CLAMP | | * | | 1 |
| 50 | SS6090670TP | SCREW 9/64-40 L=6 | | * | | 1 |
| 51 | 23132806 | THREAD TAKE-UP LEVER | | * | | 1 |
| 52 | B1902552000 | THREAD TAKE-UP CRANK | | * | | 1 |
| 53 | B1903552000 | LEFT SCREW | | * | | 1 |
| 54 | B1904201000 | THREAD TAKE-UP CRANK SHAFT | | * | | 1 |
| 55 | B1905541B00 | NEEDLE BEARING | | * | | 2 |
| 56 | 21045505 | SIDE PLATE | | | | 1 |
| 57 | SS2110915SP | SCREW 11/64-40 L=8.5 | | | | 2 |
| 58 | B1208141H00 | FEED CAM ASM. | | | | 1 |
| 59 | SS6110710TP | SCREW 11/64-40 L=6.5 | | | | 2 |
| 60 | 23124407 | NEEDLE CLAMP SPACER (1.6MM) | S TYPE | | | 1 |
| 61 | 23125008 | NEEDLE CLAMP (5MM) | L TYPE | | | 1 |
| 62 | 23125305 | NEEDLE HOLDER (5MM) | L TYPE | | | 1 |
| 63 | SS7090530SP | SCREW 9/64-40 L=4.5 | L TYPE | | | 1 |
| 64 | 23125404 | NEEDLE CLAMP HOOK | L TYPE | | | 1 |

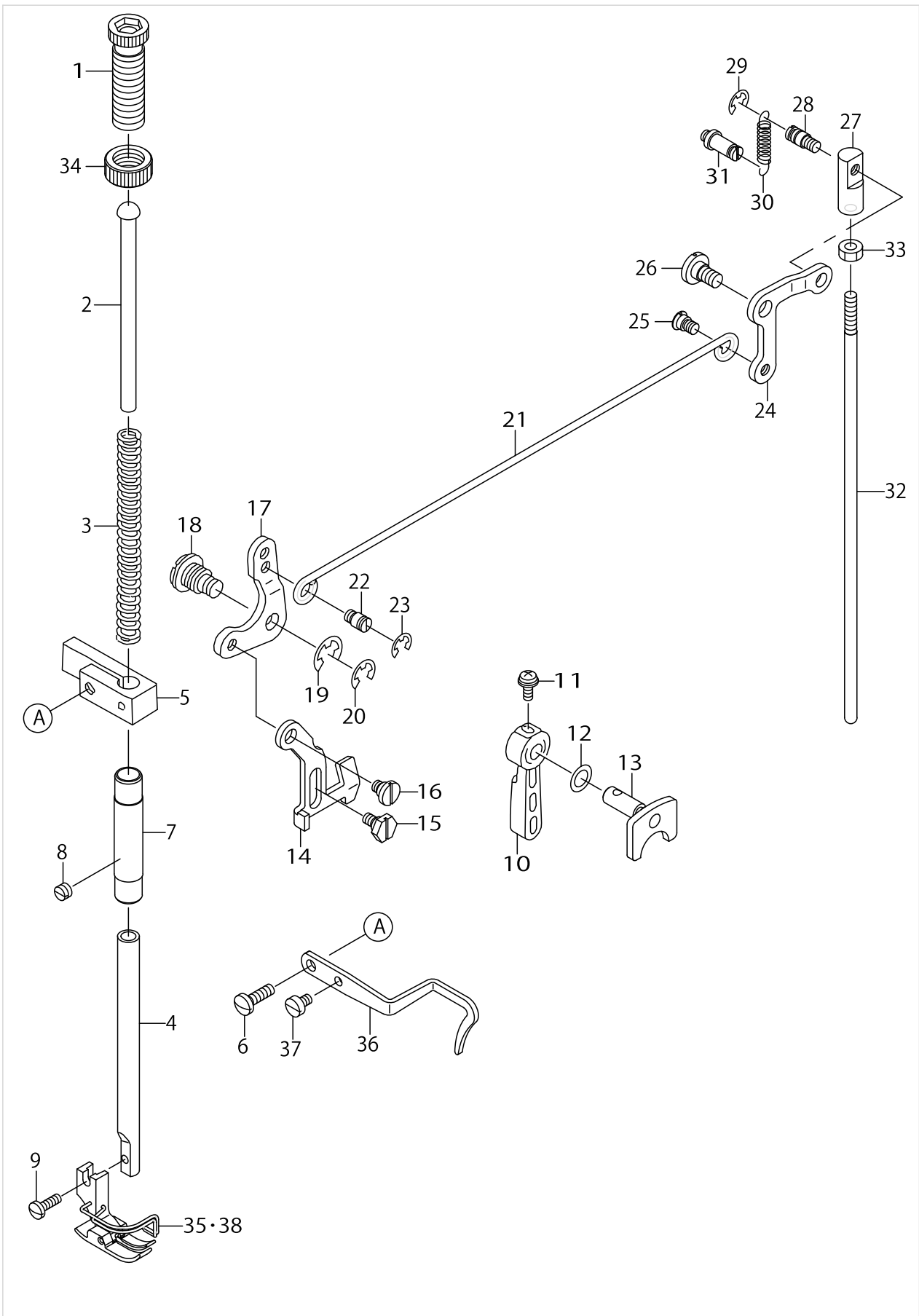
UPRIGHT SHAFT & HOOK DRIVING SHAFT COMPONENTS



UPRIGHT SHAFT & HOOK DRIVING SHAFT COMPONENTS

| No. | Parts No. | Parts name | Remarks | Level | Cons | Qty |
|-----|-------------|----------------------------------|---------|-------|------|------|
| 1 | B13052710A0 | GEAR CASE ASM. UPPER | | | | 1 |
| 2 | SM6031202TP | SCREW M3X0.5 L=12 | | | | 2 |
| 3 | B1806038000 | OIL FELT | | | | 1 |
| 4 | SS8151150SP | SCREW 15/64-28 L=10.5 | | | | 1 |
| 5 | CQ252000000 | OIL WICK | | | | 0.07 |
| 6 | B1804201000 | HOOK DRIVING SHAFT BUSHING REAR | | | | 1 |
| 7 | B1305012000 | GEAR | | | | 1 |
| 8 | B1306155000 | PINION | | | | 1 |
| 9 | B1307155000 | MITRE GEAR LARGE | | | | 1 |
| 10 | B1308155000 | MITRE GEAR SMALL | | | | 1 |
| 11 | SS8660810TP | SCREW 1/4-40 L=8 | | | | 8 |
| 12 | B1301201000 | UPRIGHT SHAFT | | | | 1 |
| 13 | B1302271000 | UPRIGHT SHAFT BUSHING UPPER | | | | 1 |
| 14 | SS8110520TP | SCREW 11/64-40 L=4.5 | | | | 2 |
| 15 | SS8151150SP | SCREW 15/64-28 L=10.5 | | | | 2 |
| 16 | B1303271000 | BUSHING LOWER | | | | 1 |
| 17 | CS0791016SH | THRUST HOLDER D=7.94 W=10 | | | | 1 |
| 18 | B13072710A0 | PINION CASE ASM. | | | | 1 |
| 19 | SM6051410SC | SCREW M5X0.8 L=14 | | | | 1 |
| 20 | B1805201000 | OIL FELT | | | | 1 |
| 21 | SS8150710TP | SCREW 15/64-28 L=7 | | | | 1 |
| 22 | CQ252000000 | OIL WICK | | | | 0.07 |
| 23 | 23133804 | HOOK DRIVING SHAFT | | | | 1 |
| 24 | 23133903 | HOOK DRIVING SHAFT BUSHING FRONT | | | | 1 |

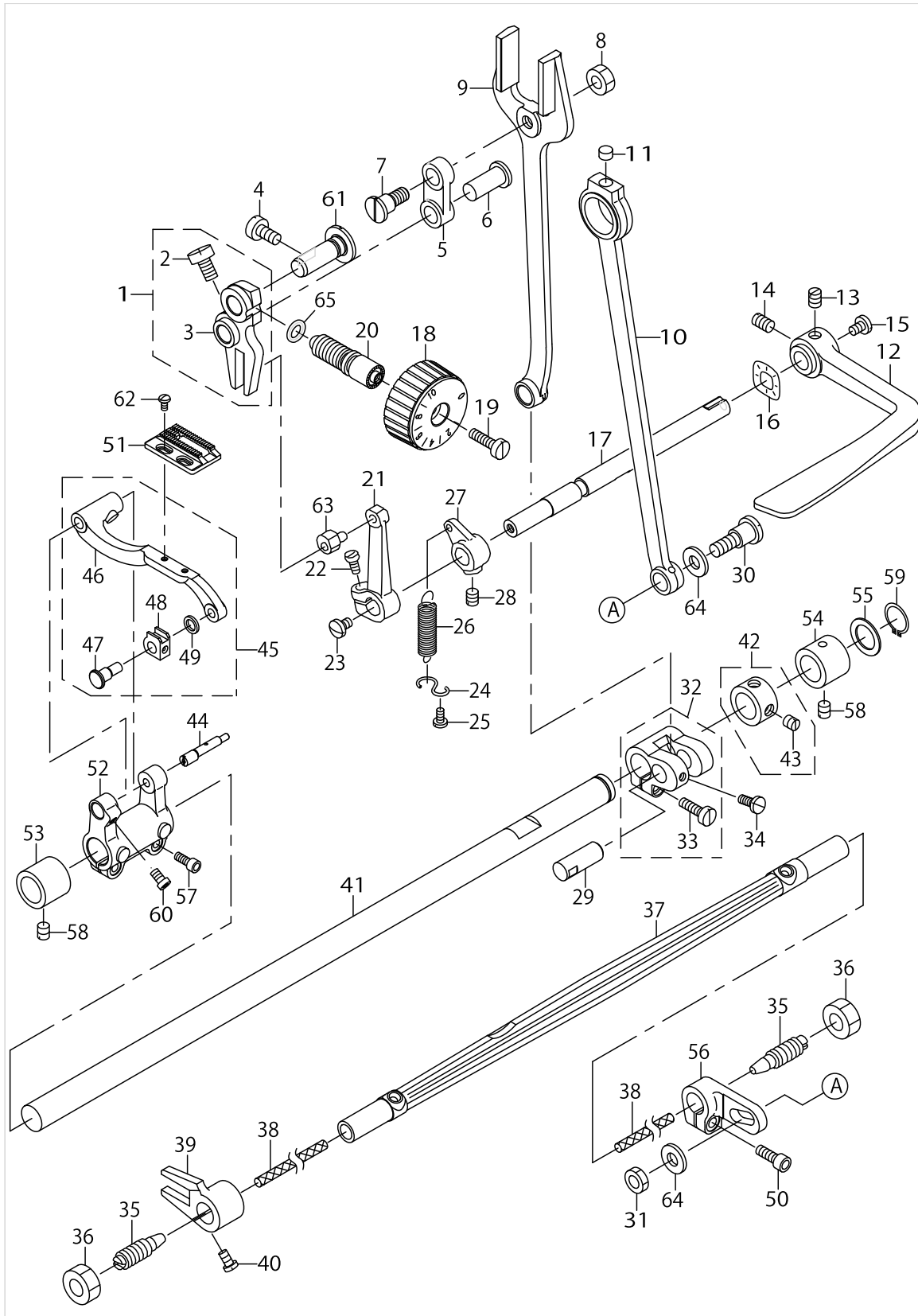
PRESSER BAR & KNEE LIFTER COMPONENTS



PRESSER BAR & KNEE LIFTER COMPONENTS

| No. | Parts No. | Parts name | Remarks | Level | Cons | Qty |
|-----|--------------|------------------------------|---------|-------|------|-----|
| 1 | 22907505 | PRESSER SPRING REGULATOR | | | | 1 |
| 2 | 22907703 | PRESSER GUIDE BAR | | | | 1 |
| 3 | B1505227T00A | PRESSER SPRING T | | | | 1 |
| 4 | 22907000 | PRESSER BAR | | | | 1 |
| 5 | B1507552000 | PRESSER BAR GUIDE BRACKET | | | | 1 |
| 6 | SS7111410SP | SCREW 11/64-40 L=14 | | | | 1 |
| 7 | 22907109 | PRESSER BAR BUSHING LOWER | | | | 1 |
| 8 | SS8150310SP | SCREW 15/64-28 L= 3.4 | | | | 1 |
| 9 | SS7091110SP | SCREW 9/64-40 L=10.5 | | | | 1 |
| 10 | 22907802 | HAND LIFTER | | | | 1 |
| 11 | B1521555000 | SCREW | | | | 1 |
| 12 | WP0740516SP | WASHER 7.4X11.8X0.5 | | | | 1 |
| 13 | B15185550A0 | HAND LIFTER CAM ASM. | | | | 1 |
| 14 | B1515201000 | LIFTING LEVER | | | | 1 |
| 15 | SD0630275SP | HINGE SCREW D=6.35 H=2.7 | | | | 1 |
| 16 | SD0630301SP | HINGE SCREW D=6.35 H=3 | | | | 1 |
| 17 | B1516552000 | LIFTING LEVER LINK | | | | 1 |
| 18 | B1517552000 | HINGE PIN | | | | 1 |
| 19 | B1523226000 | SNAP RING | | | | 1 |
| 20 | RE0600000K0 | E-RING 6 | | | | 1 |
| 21 | B3412552000 | LIFTING LEVER CONNECTING ROD | | | | 1 |
| 22 | B3416552000 | CONNECTING ROD HINGE SCREW | | | | 1 |
| 23 | RE0500000K0 | E-RING | | | | 1 |
| 24 | B3414555000 | LIFTING LEVER LINK ARM | | | | 1 |
| 25 | 22908909 | HINGE SCREW | | | | 1 |
| 26 | SD0720331SP | HINGE SCREW D=7.24 H=3.3 | | | | 1 |
| 27 | B3416555000 | SWIVEL | | | | 1 |
| 28 | B3418555000 | SWIVEL SCREW | | | | 1 |
| 29 | RE0500000K0 | E-RING | | | | 1 |
| 30 | B3417552000 | LIFTING LEVER LINK SPRING | | | | 1 |
| 31 | B3413227000 | SPRING SUSPENSION | | | | 1 |
| 32 | B3415552000 | CONNECTING ROD VERTICAL | | | | 1 |
| 33 | NS6620310SP | NUT 3/16-32 | | | | 1 |
| 34 | 22907604 | PRESSER SPRING REGULATOR NUT | | | | 1 |
| 35 | 23122658 | PRESSER ASM. | S TYPE | | | 1 |
| 36 | B1521552000 | PRESSER BAR THREAD GUIDE | | | | 1 |
| 37 | SS6090650SP | SCREW 9/64-40 L=6 | | | | 1 |
| 38 | 23122757 | PRESSER ASM. | L TYPE | | | 1 |

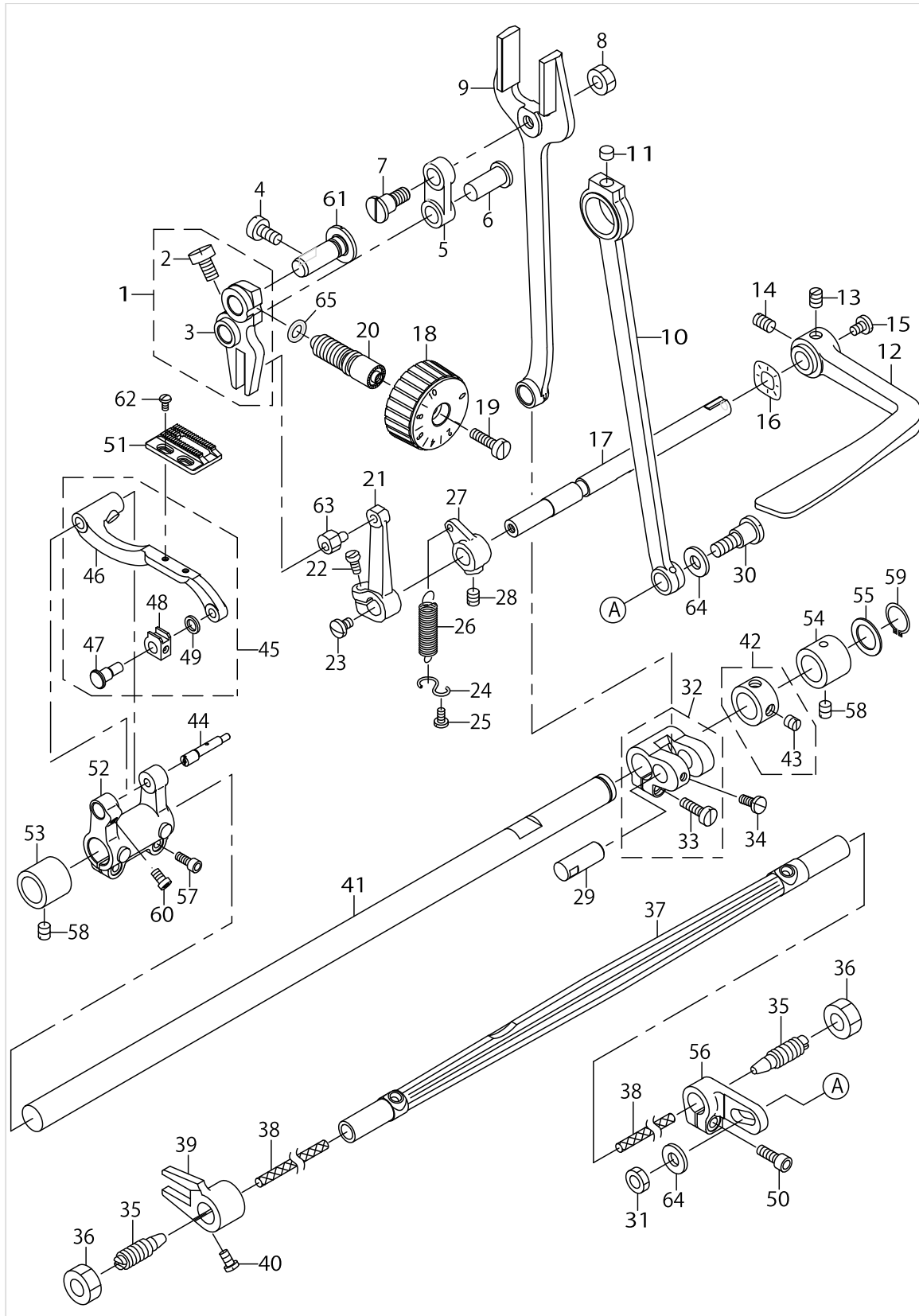
FEED MECHANISM COMPONENTS



FEED MECHANISM COMPONENTS

| No. | Parts No. | Parts name | Remarks | Level | Cons | Qty |
|-----|--------------|--------------------------------|---------|-------|------|------|
| 1 | 23127152 | FEED ADJUSTING BODY ASM. | | | | 1 |
| 2 | SS6661110SP | SCREW 1/4-40 L=11 | | * | | 1 |
| 3 | 23127103 | FEED ADJUSTING BODY | | * | | 1 |
| 4 | SS6151220SP | SCREW 15/64-28 L=11.5 | | | | 1 |
| 5 | B1619141H00 | BRANCH LINK | | | | 1 |
| 6 | 21272802 | BRANCH LINK SHAFT | | | | 1 |
| 7 | SD0950802SH | HINGE SCREW D=9.53 H=8 | | | | 1 |
| 8 | NS6680410SP | NUT 9/32-28 | | | | 1 |
| 9 | 23121700 | HORIZONTAL FEED ROD | | | | 1 |
| 10 | B1701115000 | FEED DRIVING SHAFT CONNECTING | | | | 1 |
| 11 | 11002904 | ROLLER FELT | | | | 1 |
| 12 | B1624141H0A | FEED LEVER | | | | 1 |
| 13 | SS8660810TP | SCREW 1/4-40 L=8 | | | | 1 |
| 14 | SS8661040TP | SCREW 1/4-40 L=10 | | | | 1 |
| 15 | SS7620750SP | SCREW 3/16-32 L=6.5 | | | | 1 |
| 16 | WZ1052010KP | WAVED WASHER | | | | 1 |
| 17 | B1621201000 | REVERSEFEEDCONTROLLEVERSHAFT | | | | 1 |
| 18 | 23127004 | FEED DIAL | | | | 1 |
| 19 | SS6121860SP | SCREW 3/16-28 L=18 | | | | 1 |
| 20 | 23127301 | STITCH LENGTH REGULATING SCREW | | | | 1 |
| 21 | B1627226000 | REVERSEFEEDCONTROLLEVERCRANK | | | | 1 |
| 22 | SS6121210SP | SCREW 3/16-28 L=12 | | | | 1 |
| 23 | SS7620750SP | SCREW 3/16-32 L=6.5 | | | | 1 |
| 24 | B1648122000 | SUSPENSION HOOK (B) | | | | 1 |
| 25 | SS7090710SP | SCREW 9/64-40 L=6.8 | | | | 1 |
| 26 | B1646201000 | TENSION SPRING | | | | 1 |
| 27 | B1647226000 | SUSPENSION BRACKET (A) | | | | 1 |
| 28 | SS8150710SP | SCREW 15/64-28 L=7 | | | | 1 |
| 29 | B1611155000A | HINGE STUD FOR PITMAN | | | | 1 |
| 30 | SD1020961SP | HINGE SCREW D=10.2 H=9.6 | | | | 1 |
| 31 | NS6680410SP | NUT 9/32-28 | | | | 1 |
| 32 | B16072010A0A | HORIZONTAL FEED ARM ASM. | | | | 1 |
| 33 | SS6121610SP | SCREW 3/16-28 L=15.5 | | * | | 2 |
| 34 | SS7111110TP | SCREW 11/64-40 L=10.5 | | | | 1 |
| 35 | B1113012000 | CENTER SCREW | | | | 2 |
| 36 | NS6740510SP | NUT 3/8-28 | | | | 2 |
| 37 | 23134307 | FEED DRIVING SHAFT ASM. | | | | 1 |
| 38 | CQ202000000 | OIL WICK | | | | 0.17 |
| 39 | B1704141H00 | FEED LIFTING FORK | | | | 1 |
| 40 | SS7111120SP | SCREW 11/64-40 L=10.5 | | | | 1 |
| 41 | B1601201000A | FEED SHAFT | | | | 1 |
| 42 | 22904155 | MAIN SHAFT THRUST COLLAR ASM. | | | | 1 |
| 43 | SS8660610TP | SCREW 1/4-40 L=6 | | * | | 2 |
| 44 | 23200702 | FEED BASE SHAFT | | | | 1 |
| 45 | 23122054 | FEED BASE ASM. | | | | 1 |
| 46 | 23122005 | FEED BASE | | * | | 1 |
| 47 | B1706155000 | FEED DRIVING SLIDE BLOCK HINGE | | * | | 1 |

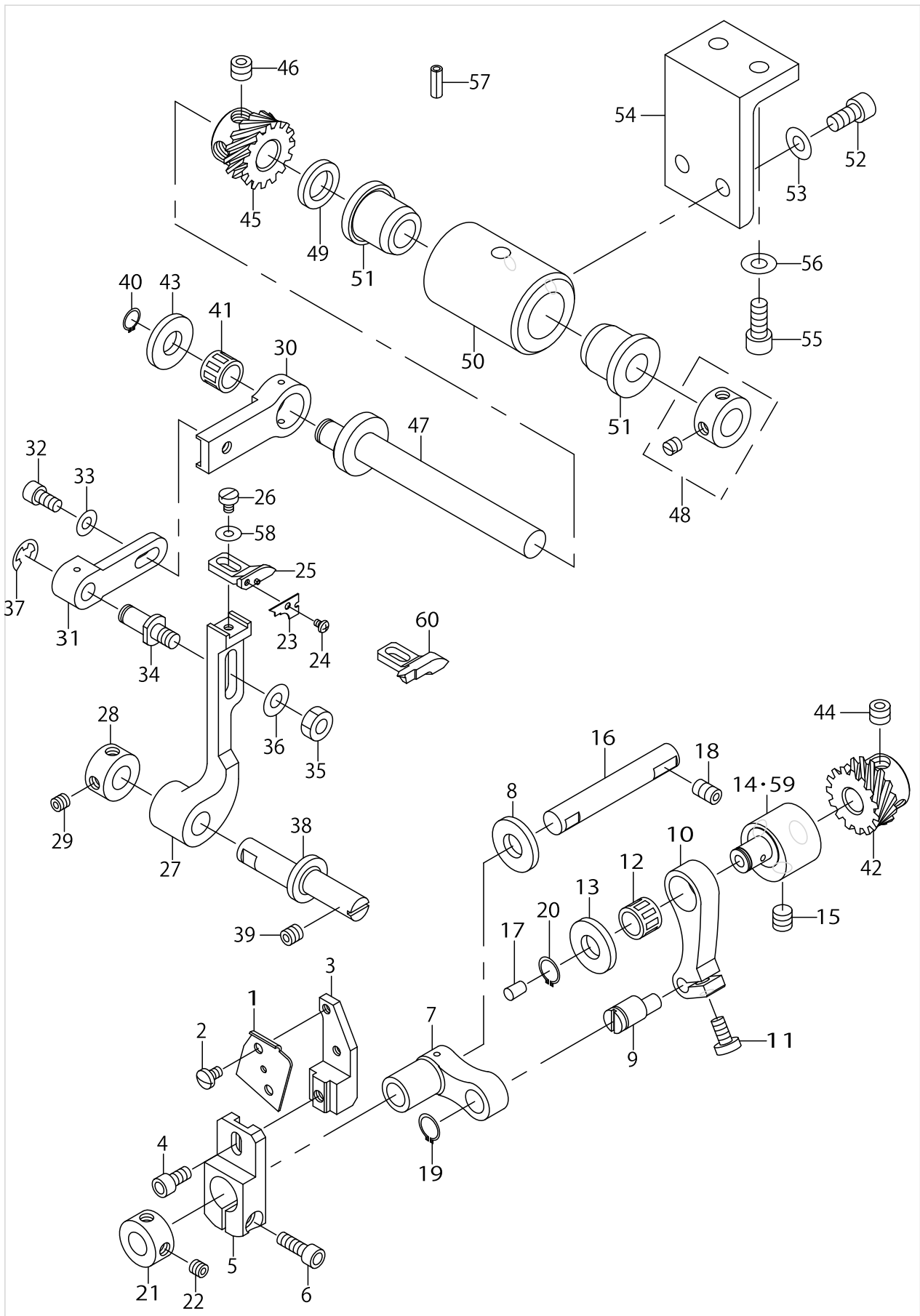
FEED MECHANISM COMPONENTS



FEED MECHANISM COMPONENTS

| No. | Parts No. | Parts name | Remarks | Level | Cons | Qty |
|-----|-------------|---------------------------------|---------|-------|------|-----|
| 48 | B1705155000 | FEED DRIVING SLIDE BLOCK | | * | | 1 |
| 49 | B1707155000 | FEED DRIVING SLIDE BLOCK WASHER | | * | | 1 |
| 50 | SM6051402TP | SCREW M5X0.8 L=14 | | | | 1 |
| 51 | 23122203 | FEED L | | | | 1 |
| 52 | 23121908 | FEED BASE ARM | | | | 1 |
| 53 | B1604141H00 | BUSHING FRONT | | | | 1 |
| 54 | B1651141H00 | BUSHING INTERMEDIATE | | | | 1 |
| 55 | B1605201000 | METAL WASHER | | | | 1 |
| 56 | 23121809 | VERTICAL FEED ARM REAR | | | | 1 |
| 57 | SM6041012TP | SCREW M4X0.7 L=10 | | | | 2 |
| 58 | SS8150710SP | SCREW 15/64-28 L=7 | | | | 2 |
| 59 | RC0150001KP | RETAINING RING 13.8 | | | | 1 |
| 60 | SS6110710TP | SCREW 11/64-40 L=6.5 | | | | 1 |
| 61 | 23127202 | FEED ADJUSTING BODY SHAFT | | | | 1 |
| 62 | SS4080620TP | SCREW 1/8-44 L=6 | | | | 2 |
| 63 | B16331220A0 | CRANK SLIDE BLOCK STUD ASM. | | | | 1 |
| 64 | WP0742016SP | WASHER | | | | 2 |
| 65 | RO074240100 | RUBBER RING | | | | 1 |

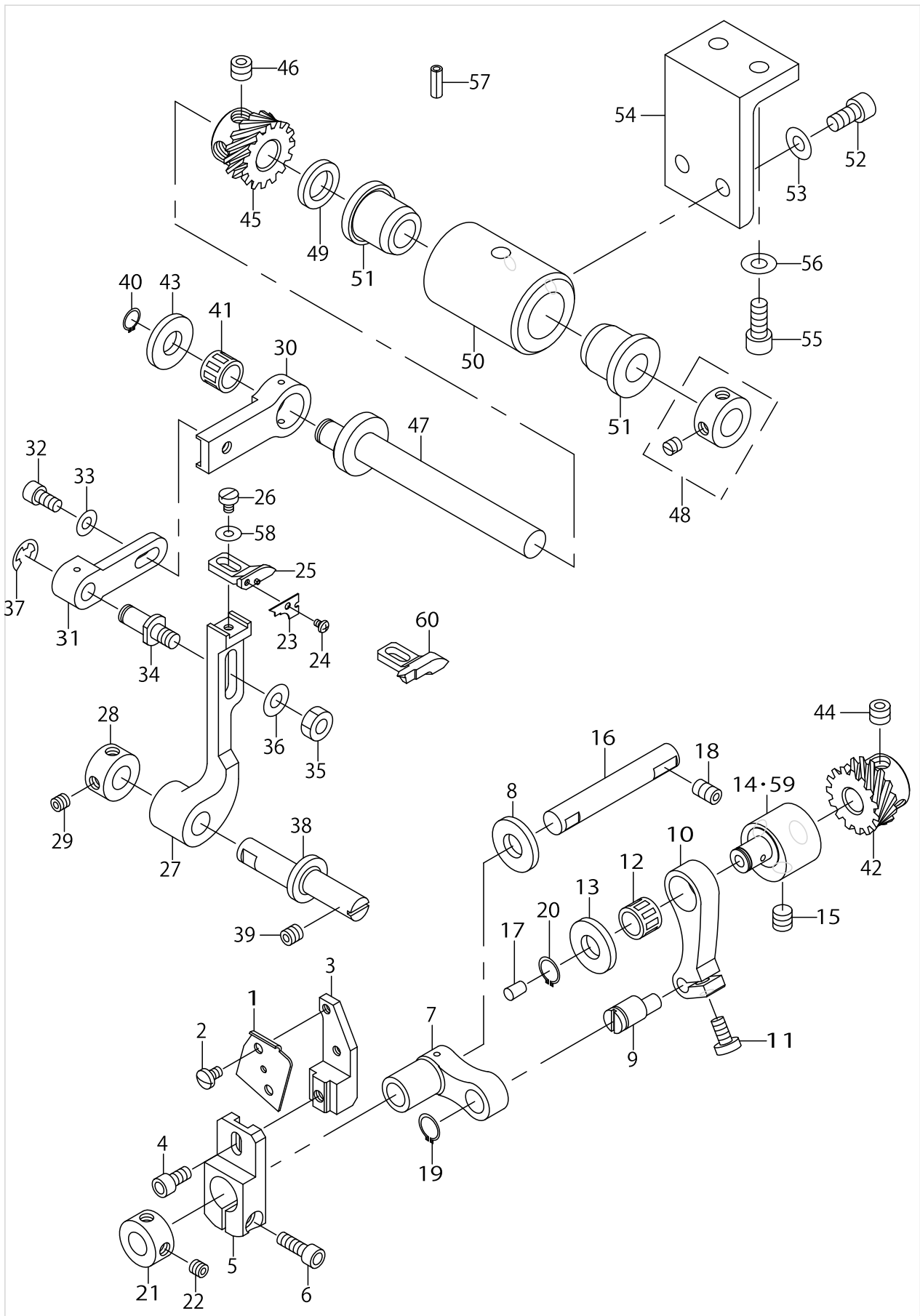
LOOPER & SPREADER COMPONENTS



LOOPER & SPREADER COMPONENTS

| No. | Parts No. | Parts name | Remarks | Level | Cons | Qty |
|-----|-------------|----------------------------|---------|-------|------|-----|
| 1 | 23136005 | LOOPER(JC1008P) | | | | 1 |
| 2 | SS6080410SP | SCREW 1/8-44 L=4 | | | | 2 |
| 3 | 23136708 | LOOPER INSTALLING BASE | | | | 1 |
| 4 | SM6040802TP | SCREW M4X0.7 L=8 | | | | 1 |
| 5 | 23136609 | LOOPER ARM | | | | 1 |
| 6 | SM6041202TP | SCREW M4X0.7 L=12 | | | | 1 |
| 7 | 23136401 | LOOPER LINK | | | | 1 |
| 8 | B2529352000 | PROTECTION PLATE | | | | 1 |
| 9 | 23136302 | LOOPER LINK ECCENTRIC PIN | | | | 1 |
| 10 | 23136203 | LOOPER DRIVING LINK | | | | 1 |
| 11 | SM6040802TP | SCREW M4X0.7 L=8 | | | | 1 |
| 12 | B1905541B00 | NEEDLE BEARING | | | | 1 |
| 13 | B2529352000 | PROTECTION PLATE | | | | 1 |
| 14 | 23136104 | LOOPER CRANK | S TYPE | | | 1 |
| 15 | SM8060612TP | SCREW M6 L=6 | | | | 2 |
| 16 | 23136500 | LOOPER FULCRUM SHAFT | | | | 1 |
| 17 | TA0370601M0 | PLUG D=3.9X4 L=6 | | | | 1 |
| 18 | SM8050812TP | SCREW M5X8 | | | | 1 |
| 19 | RC0740811KP | C-RING | | | | 1 |
| 20 | RC0740811KP | C-RING | | | | 1 |
| 21 | CS0800816SH | THRUST HOLDER D=8 W=8 | | | | 1 |
| 22 | SS8110422TP | SCREW 11/64-40 L=4 | | | | 2 |
| 23 | 23138209 | SPREADER(JC1023) | S TYPE | | | 1 |
| 24 | SM4020301SC | SCREW M2X0.4 L=3 | S TYPE | | | 1 |
| 25 | 23125750 | SPREADER FITTING BASE ASM. | S TYPE | | | 1 |
| 26 | SS6090910SP | SCREW 9/64-40 L=9 | | | | 1 |
| 27 | 23138605 | SPREADER ARM | | | | 1 |
| 28 | CS0800816SH | THRUST HOLDER D=8 W=8 | | | | 1 |
| 29 | SS8110422TP | SCREW 11/64-40 L=4 | | | | 2 |
| 30 | 23138308 | SPREADER DRIVING LINK A | | | | 1 |
| 31 | 23138407 | SPREADER DRIVING LINK B | | | | 1 |
| 32 | SM6040802TP | SCREW M4X0.7 L=8 | | | | 1 |
| 33 | WP0430801SE | WASHER 4.3X9X0.8 | | | | 1 |
| 34 | 23138506 | SPREADER ADJUSTING PIN | | | | 1 |
| 35 | NM6050003SC | NUT M5X0.8 | | | | 1 |
| 36 | WP0531001SE | WASHER 5.3X9.5X0.6 | | | | 1 |
| 37 | RE0500711KP | SNAP RING 5 | | | | 1 |
| 38 | 23138704 | SPREADER FULCRUM SHAFT | | | | 1 |
| 39 | SM8050502TP | SCREW M5 L=5 | | | | 2 |
| 40 | RC0740811KP | C-RING | | | | 1 |
| 41 | B1905541B00 | NEEDLE BEARING | | | | 1 |
| 42 | 23125503 | SPREADER LOWER SHAFT WHEEL | | | | 1 |
| 43 | B2529352000 | PROTECTION PLATE | | | | 1 |
| 44 | SS8660512TP | SCREW 1/4-40 L=5 | | | | 2 |
| 45 | 23125602 | SPREADER CRANK SHAFT WHEEL | | | | 1 |
| 46 | SS8660512TP | SCREW 1/4-40 L=5 | | | | 2 |
| 47 | 23137508 | SPREADER CRANK SHAFT | | | | 1 |

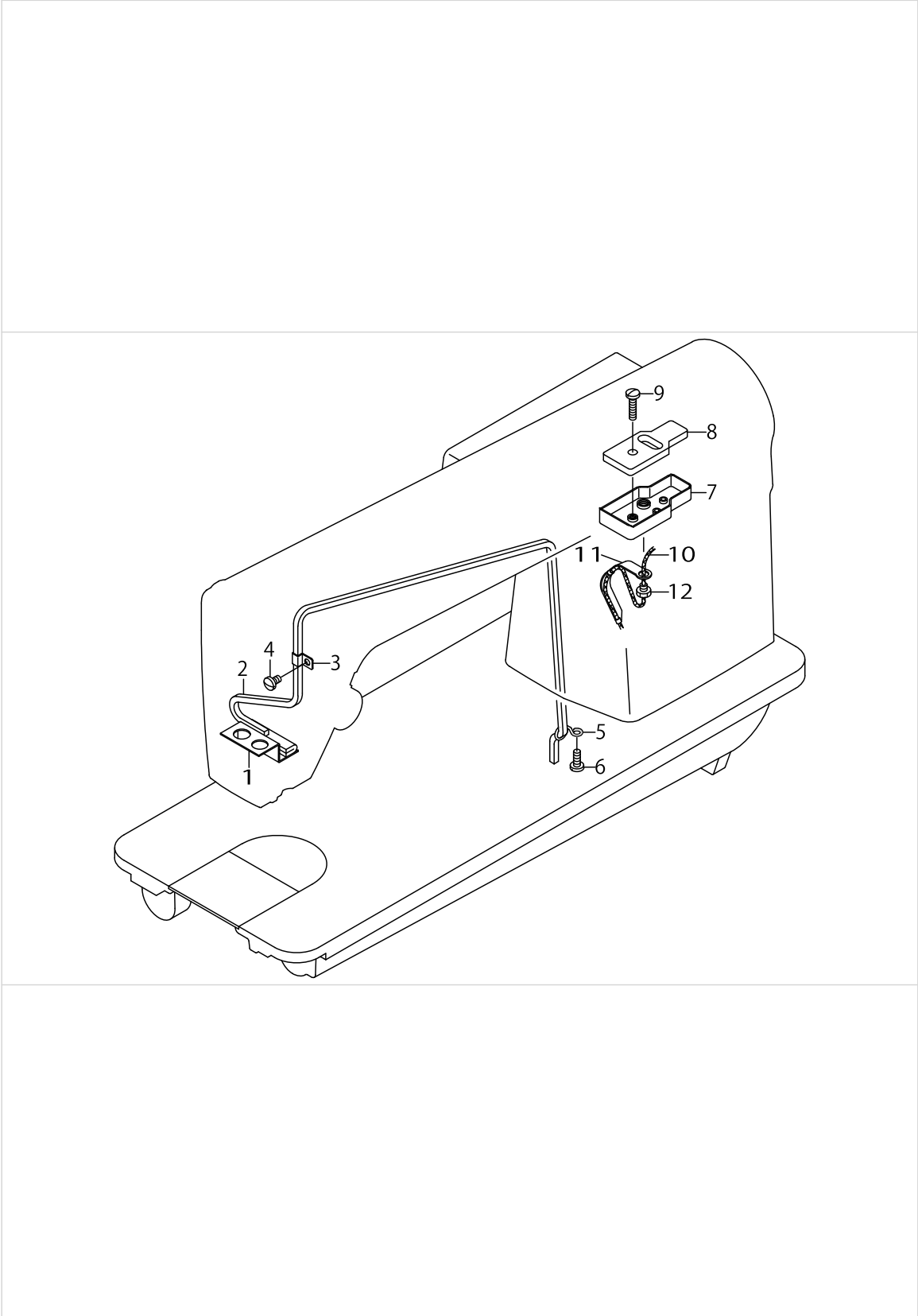
LOOPER & SPREADER COMPONENTS



LOOPER & SPREADER COMPONENTS

| No. | Parts No. | Parts name | Remarks | Level | Cons | Qty |
|-----|-------------|-------------------------------|---------|-------|------|-----|
| 48 | CS095081ASH | THRUST COLLAR ASM. D=9.53 W=8 | | | | 1 |
| 49 | 22614507 | SPACER F | | | | 1 |
| 50 | 23137607 | SPREADER CRANKSHAFT CASE | | | | 1 |
| 51 | 22613400 | HOOK DRIVING SHAFT BUSHING | | | | 2 |
| 52 | SM6051002TP | SCREW M5X0.8 L=10 | | | | 2 |
| 53 | WP0531001SE | WASHER 5.3X9.5X0.6 | | | | 2 |
| 54 | 23137409 | CRANK SHAFT BASE | | | | 1 |
| 55 | SM6051202TP | SCREW M5X0.8 L=12 | | | | 2 |
| 56 | WP0531001SE | WASHER 5.3X9.5X0.6 | | | | 2 |
| 57 | PS0350102KR | SPRING PIN 3.5X10 | | | | 1 |
| 58 | WP0371016SD | WASHER 3.7X8X1 | | | | 1 |
| 59 | 23121502 | LOOPER CRANK B | L TYPE | | | 1 |
| 60 | 23126006 | SPREADER (5MM) | L TYPE | | | 1 |

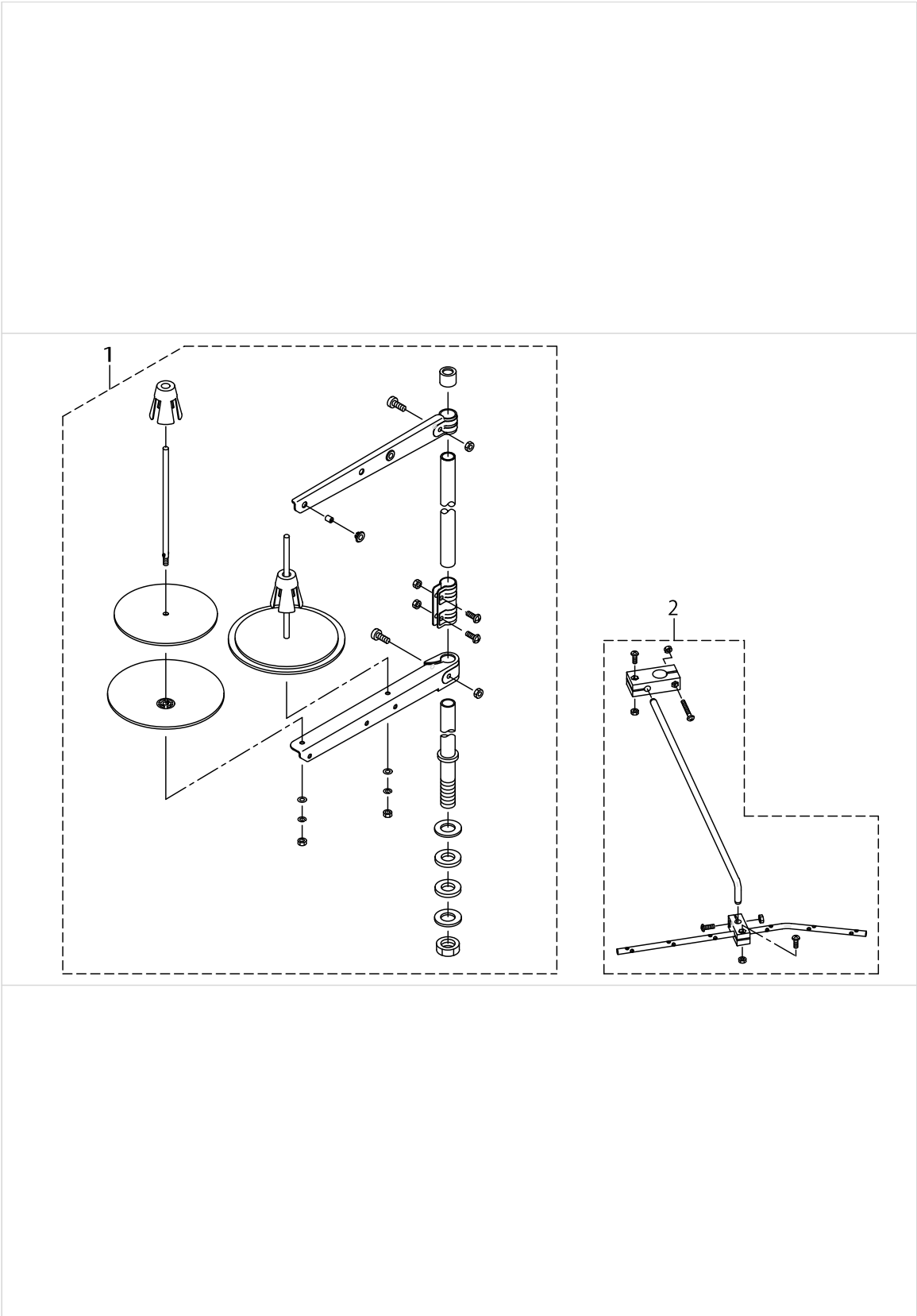
OIL LUBRICATION COMPONENTS



OIL LUBRICATION COMPONENTS

| No. | Parts No. | Parts name | Remarks | Level | Cons | Qty |
|-----|-------------|-----------------------|---------|-------|------|------|
| 1 | B3528201000 | OIL RETURN FELT | | | | 1 |
| 2 | B35102010A0 | OIL FELT ASM. | | | | 1 |
| 3 | B3508512000 | OIL FELT HOLDER | | | | 1 |
| 4 | SS7110710SP | SCREW 11/64-40 L=7 | | | | 1 |
| 5 | B3537201000 | OIL FELT HOLDER | | | | 1 |
| 6 | SS7111120SP | SCREW 11/64-40 L=10.5 | | | | 1 |
| 7 | B3503201000 | OIL RESERVOIR | | | | 1 |
| 8 | B3504201000 | OIL FELT | | | | 1 |
| 9 | SS7111810SP | SCREW 11/64-40 L=18 | | | | 1 |
| 10 | CQ202000000 | OIL WICK | | | | 0.25 |
| 11 | B3527012000 | HOLDER | | | | 1 |
| 12 | B3515201000 | CLAMP SLEEVE NUT | | | | 1 |

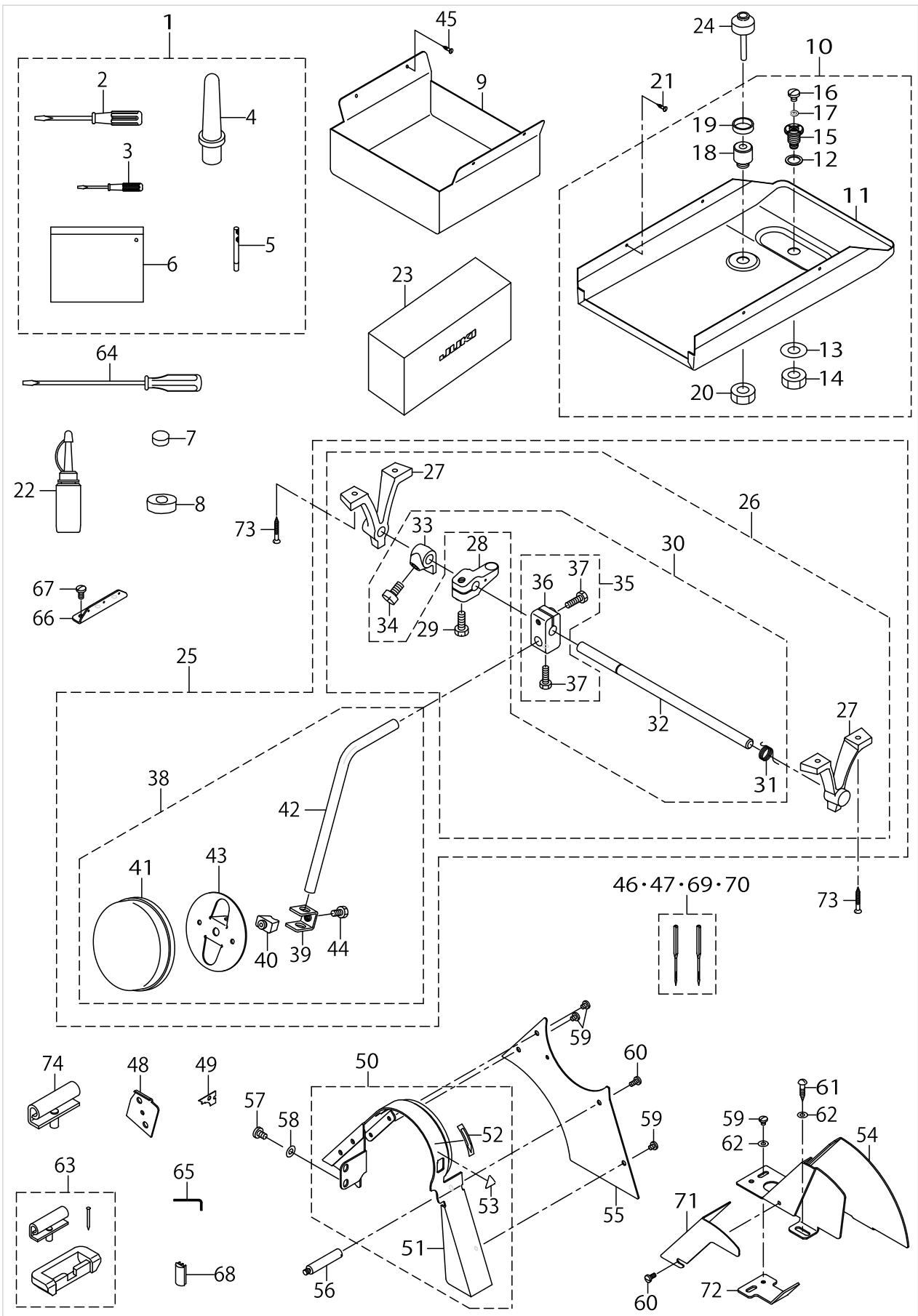
THREAD STAND COMPONENTS



THREAD STAND COMPONENTS

| No. | Parts No. | Parts name | Remarks | Level | Cons | Qty |
|-----|-----------|-----------------------|---------|-------|------|-----|
| 1 | 40096354 | THREAD STAND ASM. | | | | 1 |
| 2 | 26910059 | THREAD GUIDE ARM ASM. | L TYPE | | | 1 |

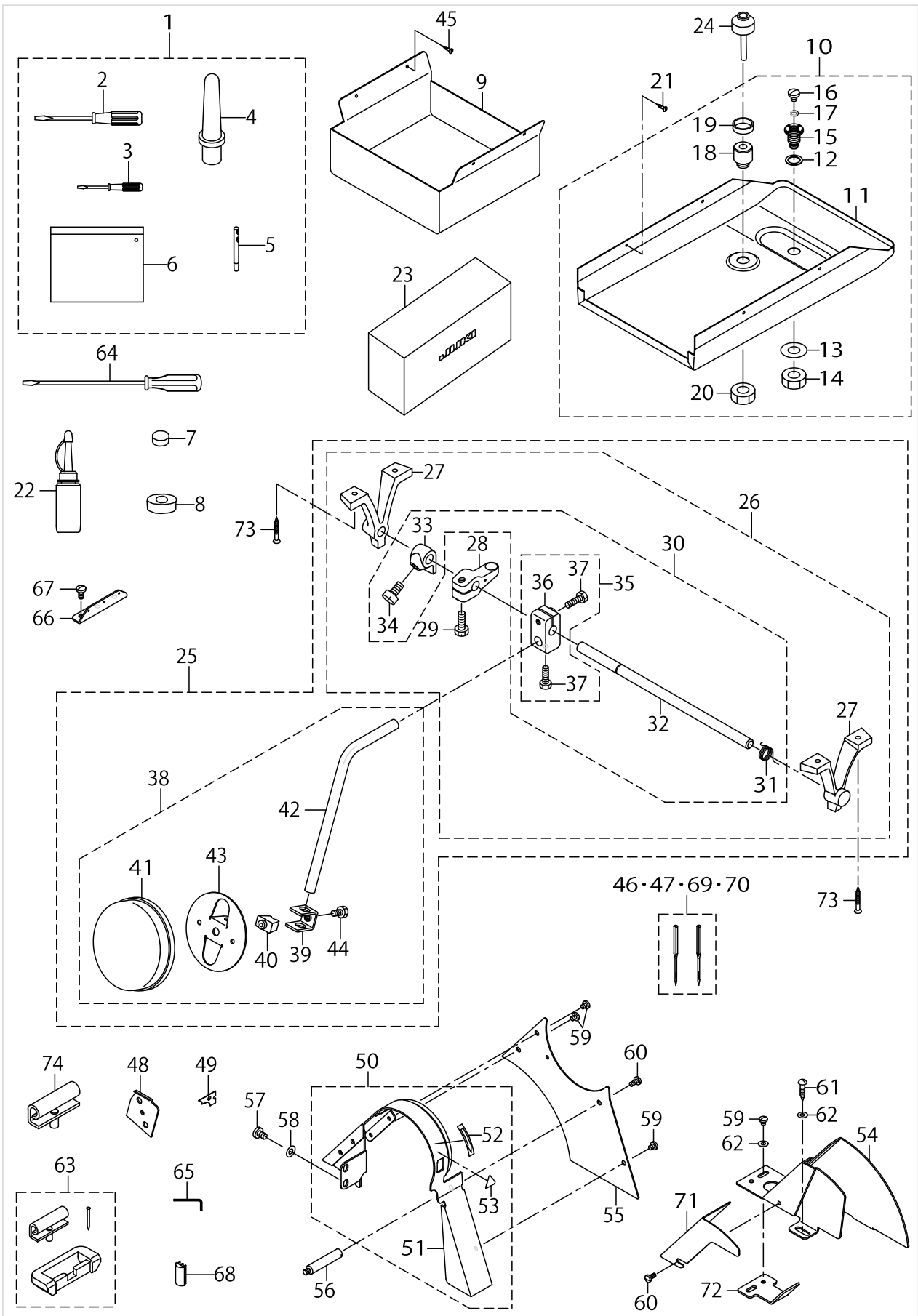
ACCESSORIE PARTS COMPONENTS



ACCESSORIE PARTS COMPONENTS

| No. | Parts No. | Parts name | Remarks | Level | Cons | Qty |
|-----|-------------|-----------------------------|---------|-------|------|-----|
| 1 | 21413158 | ACCESSORY BAG ASM. | | | | 1 |
| 2 | 22933105 | SCREW DRIVER MIDDLE | | * | | 1 |
| 3 | 22933204 | SCREW DRIVER SMALL | | * | | 1 |
| 4 | 22931604 | FRAME SUPPORT BAR | | * | | 1 |
| 5 | 22958300 | NEEDLE THREAD GUIDE PIN | | * | | 1 |
| 6 | 22932800 | ACCESSORIE BAG | | * | | 1 |
| 7 | B8206012000 | FELT CUSHION | | | | 4 |
| 8 | B8209012000 | RUBBER CUSHION | | | | 4 |
| 9 | B1839563000 | OIL RECEIVING COVER | | | | 1 |
| 10 | 23142052 | OIL RESERVOIR ASM. | | | | 1 |
| 11 | 23142003 | OIL RESERVOIR | | * | | 1 |
| 12 | B1532581000 | GASKET | | * | | 1 |
| 13 | WP1352616SZ | WASHER 13.5X24.0X2.6 | | * | | 1 |
| 14 | NS6320640SP | NUT 1/2-20 | | * | | 1 |
| 15 | B8220115000 | SCREW | | * | | 1 |
| 16 | SS7150740SP | SCREW 15/64-28 L=7 | | * | | 1 |
| 17 | RO060150100 | RUBBER RING | | * | | 1 |
| 18 | B8218115000 | OIL PAN BOSS | | * | | 1 |
| 19 | B8219115000 | OIL PAN BOSS RUBBER RING | | * | | 1 |
| 20 | NS6320640SP | NUT 1/2-20 | | * | | 1 |
| 21 | SK1271300SC | WOOD SCREW D=2.7 L=13 | | | | 4 |
| 22 | B91212200A0 | OILER (CONTAINING NO.2 OIL) | | | | 1 |
| 23 | 22933303 | VINYL COVER | | | | 1 |
| 24 | B3421555000 | KNEE PRESS LIFTER ROD | | | | 1 |
| 25 | B34192010A0 | KNEE LIFTER ASM | | | | 1 |
| 26 | B34192010B0 | KNEE PAD SHAFT ARM ASM. | | * | | 1 |
| 27 | 40032132 | SUPPORT | | * | | 2 |
| 28 | B3425122000 | KNEE PRESS LIFTER LEVER | | * | | 1 |
| 29 | SS9182010SN | SCREW 9/32-20 L=20 | | * | | 1 |
| 30 | 40033893 | KNEE LIFTER ASM. | | * | | 1 |
| 31 | 40130335 | KNEE TOP ROTARY SPRING | | * | | 1 |
| 32 | B3420141H0A | KNEE PRESS ROD | | * | | 1 |
| 33 | B3434141H00 | KNEE PRESS ROD THRUST BLOCK | | * | | 1 |
| 34 | B3425141H00 | MOUNTING BRACKET SET SCREW | | * | | 1 |
| 35 | 22932453 | BRACKET ASM. | | * | | 1 |
| 36 | 22932404 | BRACKET | | * | | 1 |
| 37 | 22934707 | SCREW | | * | | 2 |
| 38 | 22934251 | KNEE PAD PLATE ASM. | | * | | 1 |
| 39 | 22934301 | KNEE PAD PLATE SUPPORT | | * | | 1 |
| 40 | 22934400 | KNEE PAD PLATE RUBBER | | * | | 1 |
| 41 | 22934509 | KNEE PAD PLATE COVER | | * | | 1 |
| 42 | 22934608 | KNEE PAD UPRIGHT SHAFT | | * | | 1 |
| 43 | 22934202 | KNEE PAD PLATE | | * | | 1 |
| 44 | SM9061203SE | SCREW M6 L=12 | | * | | 1 |
| 45 | 10539906 | SET NAIL | | | | 4 |
| 46 | MC231000902 | NEEDLE 29-C-150 NM90-2 | S TYPE | | | 1 |
| 47 | MC276001002 | NEEDLE 29-C-151 NM100-2 | S TYPE | | | 1 |


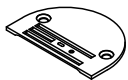


ACCESSORIE PARTS COMPONENTS










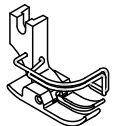
ACCESSORIE PARTS COMPONENTS

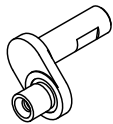
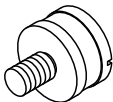
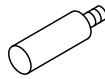

| No. | Parts No. | Parts name | Remarks | Level | Cons | Qty |
|-----|-------------|-----------------------------|---------|-------|------|-----|
| 48 | 23136005 | LOOPER (JC1008P) | | | | 1 |
| 49 | 23138209 | SPREADER(JC1023) | S TYPE | | | 1 |
| 50 | 23128358 | BELT COVER A ASM. | | | | 1 |
| 51 | 23128309 | BELT COVER A | | * | | 1 |
| 52 | CM500300001 | DIRECTION LABEL | | * | | 1 |
| 53 | CM300800001 | CAUTION LABEL 2(16) | | * | | 1 |
| 54 | 23128507 | BELT COVER C | | | | 1 |
| 55 | 23128408 | BELT COVER B | | | | 1 |
| 56 | B8233555000 | BELT COVER SUPPORT STUD | | | | 1 |
| 57 | SS7150940SP | SCREW 15/64-28 L=9 | | | | 2 |
| 58 | WP0621016SD | WASHER 6.2X13X1 | | | | 2 |
| 59 | SS7110510SP | SCREW 11/64-40 L=5 | | | | 4 |
| 60 | SS7110910TP | SCREW 11/64-40 L=8.5 | | | | 2 |
| 61 | SK3482500SC | WOOD SCREW D=4.8 L=25 | | | | 2 |
| 62 | WP0501016SC | WASHER 5X10.5X1 | | | | 3 |
| 63 | 21413257 | RUBBER HINGE WASHER ASM | | | | 1 |
| 64 | 22933006 | SCREW DRIVER LARGE | | | | 1 |
| 65 | B9141372000 | HEXAGONAL WRENCH LARGE | | | | 1 |
| 66 | 23126402 | NEEDLE THREAD GUIDE | | | | 1 |
| 67 | SS7621040SP | SCREW 3/16-32 L=9.5 | | | | 2 |
| 68 | 23124506 | NEEDLE CLAMP SPACER (2.0MM) | S TYPE | | | 1 |
| 69 | MCP1JJB2202 | NEEDLE (CPX1)#22U | L TYPE | | | 1 |
| 70 | MCP12JB2302 | NEEDLE (CPX12)#23 | L TYPE | | | 1 |
| 71 | 23128606 | BELT COVER D | | | | 1 |
| 72 | B8235038000 | BOTTOM PLATE | | | | 1 |
| 73 | SK3483201SE | WOOD SCREW D=4.8 L=32 | | | | 4 |
| 74 | B8213125AA0 | HINGE ASM. | | | | 2 |

OPTIONAL PARTS

| Item 品名 | Gage set ゲージセット | | | | Throat plate 針板 | | Needle clamp 針留 | | Spacer スペーサ | |
|--|--------------------|----------|---------------|----------|---|----------|---|----------|---|----------|
| Needle gauge size 針幅  | S Type S仕様 | | L Type L仕様 | |  | |  | |  | |
| mm | Ref.No | Part No | Ref.No | Part No | Ref.No | Part No | Ref.No | Part No | Ref.No | Part No |
| 1.2 | 1 | 23124357 | 6 | 23124366 | 12 | 23123003 | 18 | 23124100 | 22 | 23124308 |
| 1.6 | | | 7 | 23124456 | 13 | 23123102 | | | 23 | 23124407 |
| 2.0 | | | 8 | 23124555 | | | | | 24 | 23124506 |
| 2.5 | 2 | 23124654 | 9 | 23124663 | 14 | 23123201 | | | 25 | 23124605 |
| 3.0 | 3 | 23124852 | 10 | 23124861 | 15 | 23123300 | | | 19 | 23124803 |
| 4.0 | 4 | 23124951 | 11 | 23124960 | 16 | 23123409 | 20 | 23124902 | | |
| 5.0 | 5 | 23125057 | | | 17 | 23123508 | 21 | 23125008 | | |

| Item 品名 | Needle clamp bracket 針抱き | | Needle clamp hook 針留フック | | Spreader installing base asm. スプレッタ取付台(組) | | Spreader スプレッタ | | Looper crank ルーパー crank | |
|--|---|----------|---|----------|---|----------|---|----------|---|----------|
| Needle gauge size 針幅  |  | |  | |  | |  | |  | |
| mm | Ref.No | Part No | Ref.No | Part No | Ref.No | Part No | Ref.No | Part No | Ref.No | Part No |
| 1.2 | 26 | 23124209 | / | | 31 | 23125750 | 32 | 23138209 | 36 | 23136104 |
| 1.6 | | | | | | | | | | |
| 2.0 | | | | | | | | | | |
| 2.5 | | | | | | | | | | |
| 3.0 | 27 | 23125107 | 30 | 23125404 | | | 33 | 23125800 | 37 | 23121502 |
| 4.0 | 28 | 23125206 | | | | | 34 | 23125909 | | |
| 5.0 | 29 | 23125305 | | | | | 35 | 23126006 | | |

| Item 品名 | Presser foot asm. 押え(組) | |
|--|---|----------|
| Needle gauge size 針幅  |  | |
| mm | Ref.No | Part No |
| 1.2 | 38 | 23122658 |
| 1.6 | | |
| 2.0 | | |
| 2.5 | | |
| 3.0 | 39 | 23122757 |
| 4.0 | | |
| 5.0 | | |

| Needle bar crank 針棒クランク | | | Synchronizer boss シンクロナイザボス | | Synchronizer fitting rod シンクロナイザ取付棒 | | Synchronizer fitting rod nut シンクロナイザ取付棒ナット | |
|---|----------|----------------------------------|---|----------|---|----------|---|-------------|
|  | | |  | |  | |  | |
| Ref.No | Part No | Thread take-up timing 天秤タイミング | Ref.No | Part No | Ref.No | Part No | Ref.No | Part No |
| 40 | 23121205 | 標準-10° Standard -10° | 43 | 22622401 | 44 | 23141906 | 45 | NM6040001SC |
| 41 | 23121304 | 標準+10° Standard +10° | | | | | | |
| 42 | 23121403 | 自由設定 Free setting | | | | | | |

OPTIONAL PARTS

| No. | Parts No. | Parts name | Remarks | Level | Cons | Qty |
|-----|-------------|-------------------------------|---------|-------|------|-----|
| 1 | 23124357 | NEEDLE GAUGE SIZE 1.2MM S SET | | | | 1 |
| 2 | 23124654 | NEEDLE GAUGE SIZE 2.5MM S SET | | | | 1 |
| 3 | 23124852 | NEEDLE GAUGE SIZE 3.0MM S SET | | | | 1 |
| 4 | 23124951 | NEEDLE GAUGE SIZE 4.0MM S SET | | | | 1 |
| 5 | 23125057 | NEEDLE GAUGE SIZE 5.0MM S SET | | | | 1 |
| 6 | 23124366 | NEEDLE GAUGE SIZE 1.2MM L SET | | | | 1 |
| 7 | 23124456 | NEEDLE GAUGE SIZE 1.6MM L SET | | | | 1 |
| 8 | 23124555 | 2.0MM GAGE SET(FOR L-TYPE) | | | | 1 |
| 9 | 23124663 | NEEDLE GAUGE SIZE 2.5MM L SET | | | | 1 |
| 10 | 23124861 | NEEDLE GAUGE SIZE 3.0MM L SET | | | | 1 |
| 11 | 23124960 | NEEDLE GAUGE SIZE 4.0MM L SET | | | | 1 |
| 12 | 23123003 | NEEDLE PLATE (1.4X3.0) | | | | 1 |
| 13 | 23123102 | NEEDLE PLATE (1.3X4.2) | | | | 1 |
| 14 | 23123201 | NEEDLE PLATE (1.6X4.7) | | | | 1 |
| 15 | 23123300 | NEEDLE PLATE (2.2X5.6) | | | | 1 |
| 16 | 23123409 | NEEDLE PLATE (2.2X6.6) | | | | 1 |
| 17 | 23123508 | NEEDLE PLATE (2.2X7.6) | | | | 1 |
| 18 | 23124100 | NEEDLE CLAMP S | | | | 1 |
| 19 | 23124803 | NEEDLE CLAMP (3.0MM) | | | | 1 |
| 20 | 23124902 | NEEDLE CLAMP (4.0MM) | | | | 1 |
| 21 | 23125008 | NEEDLE CLAMP (5.0MM) | | | | 1 |
| 22 | 23124308 | NEEDLE CRAMP SPACER (1.2MM) | | | | 1 |
| 23 | 23124407 | NEEDLE CRAMP SPACER (1.6MM) | | | | 1 |
| 24 | 23124506 | NEEDLE CRAMP SPACER (2.0MM) | | | | 1 |
| 25 | 23124605 | NEEDLE CRAMP SPACER (2.5MM) | | | | 1 |
| 26 | 23124209 | NEEDLE HOLDER S | | | | 1 |
| 27 | 23125107 | NEEDLE HOLDER (3.0MM) | | | | 1 |
| 28 | 23125206 | NEEDLE HOLDER (4.0MM) | | | | 1 |
| 29 | 23125305 | NEEDLE HOLDER (5.0MM) | | | | 1 |
| 30 | 23125404 | NEEDLE SPACER HOOK | | | | 1 |
| 31 | 23125750 | SPREADER FITTING BASE ASM. | | | | 1 |
| 32 | 23138209 | SPREADER(JC1023) | | | | 1 |
| 33 | 23125800 | SPREADER (3.0MM) | | | | 1 |
| 34 | 23125909 | SPREADER (4.0MM) | | | | 1 |
| 35 | 23126006 | SPREADER (5.0MM) | | | | 1 |
| 36 | 23136104 | LOOPER CRANK | | | | 1 |
| 37 | 23121502 | LOOPER CRANK B | | | | 1 |
| 38 | 23122658 | PRESSER S ASM. | | | | 1 |
| 39 | 23122757 | PRESSER L ASM. | | | | 1 |
| 40 | 23121205 | NEEDLE BAR CRANK (8MM) | | | | 1 |
| 41 | 23121304 | NEEDLE BAR CRANK (12MM) | | | | 1 |
| 42 | 23121403 | NEEDLE BAR CRANK (FREE) | | | | 1 |
| 43 | 22622401 | SYNCRO FRNGE | | | | 1 |
| 44 | 23141906 | SENSOR ROD | | | | 1 |
| 45 | NM6040001SC | NUT M4 | | | | 1 |

HOW TO MAKE USE OF THIS PARTS LIST

1.Explanation of codes

1)"*"mark.....means this part is changed from the previous parts book.

As to the details of the change, refer to the "List for information of change".

2)"#01".....refer to "Note" explanation at bottom of page.

2.Codes on the "Qty" column

- Each numeral indicates the number of parts required.
- "0.1" and "2.5" indicate the length (in meters) of the respective parts.

3.Parentheses mean that the corresponding part is a subpart that constructs an assembly part.

4.Dotted lines on the Figures indicate assembly parts.

1."注記"欄の記号説明

1) "*"印.....前回のパーツブックに比較して今回変更された部品を意味します。

変更内容は、"変更情報リスト"を参照してください。

2) "#01".....ページ下の"注記"の説明を参照してください。

2.数量欄の数字は、個数を表し、0.1、2.5等の数値は、長さ（単位メートル）を表します。

3.数量欄の（ ）は、組部品を構成している子部品であることを意味します。

4.イラストページの-----枠は、組構成であることを意味します。

NUMERICAL INDEX OF PARTS

| PART NO | PAGE | REF NO. | PART NO | PAGE | REF NO. | PART NO | PAGE | REF NO. |
|----------|------|---------|----------|------|---------|----------|------|---------|
| 10539906 | 26 | 45 | 22945307 | 2 | 36 | 23124506 | 28 | 68 |
| 11002904 | 14 | 11 | 22958300 | 26 | 5 | 23124506 | 30 | 24 |
| 11415205 | 2 | 11 | 23120801 | 2 | 31 | 23124555 | 30 | 8 |
| 21045505 | 8 | 56 | 23120900 | 2 | 47 | 23124605 | 30 | 25 |
| 21272802 | 14 | 6 | 23120959 | 2 | 45 | 23124654 | 30 | 2 |
| 21413158 | 26 | 1 | 23121007 | 6 | 20 | 23124663 | 30 | 9 |
| 21413257 | 28 | 63 | 23121106 | 6 | 47 | 23124803 | 30 | 19 |
| 22602601 | 2 | 42 | 23121155 | 6 | 46 | 23124852 | 30 | 3 |
| 22613400 | 20 | 51 | 23121205 | 30 | 40 | 23124861 | 30 | 10 |
| 22614507 | 20 | 49 | 23121304 | 30 | 41 | 23124902 | 30 | 20 |
| 22622401 | 30 | 43 | 23121403 | 30 | 42 | 23124951 | 30 | 4 |
| 22901409 | 6 | 1 | 23121502 | 20 | 14-59 | 23124960 | 30 | 11 |
| 22901805 | 4 | 55 | 23121502 | 30 | 37 | 23125008 | 8 | 61 |
| 22904155 | 6 | 31 | 23121601 | 6 | 36 | 23125008 | 30 | 21 |
| 22904155 | 14 | 42 | 23121700 | 14 | 9 | 23125057 | 30 | 5 |
| 22906101 | 6 | 2 | 23121809 | 16 | 56 | 23125107 | 30 | 27 |
| 22907000 | 12 | 4 | 23121908 | 16 | 52 | 23125206 | 30 | 28 |
| 22907109 | 12 | 7 | 23122005 | 14 | 46 | 23125305 | 8 | 62 |
| 22907505 | 12 | 1 | 23122054 | 14 | 45 | 23125305 | 30 | 29 |
| 22907604 | 12 | 34 | 23122203 | 16 | 51 | 23125404 | 8 | 64 |
| 22907703 | 12 | 2 | 23122302 | 6 | 42 | 23125404 | 30 | 30 |
| 22907802 | 12 | 10 | 23122401 | 6 | 33 | 23125503 | 18 | 42 |
| 22908909 | 12 | 25 | 23122658 | 12 | 35-38 | 23125602 | 18 | 45 |
| 22912000 | 2 | 21 | 23122658 | 30 | 38 | 23125750 | 18 | 25 |
| 22912109 | 2 | 20 | 23122757 | 12 | 35-38 | 23125750 | 30 | 31 |
| 22921209 | 2 | 37 | 23122757 | 30 | 39 | 23125800 | 30 | 33 |
| 22921308 | 2 | 33 | 23123003 | 30 | 12 | 23125909 | 30 | 34 |
| 22921407 | 2 | 38 | 23123102 | 2 | 8-25 | 23126006 | 20 | 60 |
| 22921506 | 2 | 35 | 23123102 | 30 | 13 | 23126006 | 30 | 35 |
| 22921803 | 2 | 34 | 23123201 | 30 | 14 | 23126402 | 28 | 66 |
| 22931604 | 26 | 4 | 23123300 | 30 | 15 | 23126501 | 4 | 52 |
| 22932404 | 26 | 36 | 23123409 | 30 | 16 | 23127004 | 14 | 18 |
| 22932453 | 26 | 35 | 23123508 | 2 | 8-25 | 23127103 | 14 | 3 |
| 22932800 | 26 | 6 | 23123508 | 30 | 17 | 23127152 | 14 | 1 |
| 22933006 | 28 | 64 | 23124001 | 6 | 6 | 23127202 | 16 | 61 |
| 22933105 | 26 | 2 | 23124100 | 6 | 11 | 23127301 | 14 | 20 |
| 22933204 | 26 | 3 | 23124100 | 30 | 18 | 23128309 | 28 | 51 |
| 22933303 | 26 | 23 | 23124209 | 6 | 13 | 23128358 | 28 | 50 |
| 22934202 | 26 | 43 | 23124209 | 30 | 26 | 23128408 | 28 | 55 |
| 22934251 | 26 | 38 | 23124308 | 30 | 22 | 23128507 | 28 | 54 |
| 22934301 | 26 | 39 | 23124357 | 30 | 1 | 23128606 | 28 | 71 |
| 22934400 | 26 | 40 | 23124366 | 30 | 6 | 23131808 | 2 | 46 |
| 22934509 | 26 | 41 | 23124407 | 8 | 60 | 23132301 | 2 | 43 |
| 22934608 | 26 | 42 | 23124407 | 30 | 23 | 23132806 | 8 | 51 |
| 22934707 | 26 | 37 | 23124456 | 30 | 7 | 23133804 | 10 | 23 |

NUMERICAL INDEX OF PARTS

| PART NO | PAGE | REF NO. | PART NO | PAGE | REF NO. | PART NO | PAGE | REF NO. |
|-------------|------|---------|--------------|------|---------|-------------|------|---------|
| 23133903 | 10 | 24 | B1201201000A | 6 | 18 | B1701115000 | 14 | 10 |
| 23134307 | 14 | 37 | B1202201000 | 6 | 24 | B1702012000 | 6 | 27 |
| 23136005 | 18 | 1 | B1203201000 | 6 | 28 | B1704141H00 | 14 | 39 |
| 23136005 | 28 | 48 | B1204141H00 | 6 | 38 | B1705155000 | 16 | 48 |
| 23136104 | 18 | 14-59 | B1208141H00 | 8 | 58 | B1706155000 | 14 | 47 |
| 23136104 | 30 | 36 | B1301201000 | 10 | 12 | B1707155000 | 16 | 49 |
| 23136203 | 18 | 10 | B1302271000 | 10 | 13 | B1804201000 | 10 | 6 |
| 23136302 | 18 | 9 | B1303271000 | 10 | 16 | B1805201000 | 10 | 20 |
| 23136401 | 18 | 7 | B1305012000 | 10 | 7 | B1806038000 | 10 | 3 |
| 23136500 | 18 | 16 | B13052710A0 | 10 | 1 | B1835111000 | 4 | 48 |
| 23136609 | 18 | 5 | B1306155000 | 10 | 8 | B1839563000 | 26 | 9 |
| 23136708 | 18 | 3 | B1307155000 | 10 | 9 | B1902552000 | 8 | 52 |
| 23137409 | 20 | 54 | B13072710A0 | 10 | 18 | B1903552000 | 8 | 53 |
| 23137508 | 18 | 47 | B1308155000 | 10 | 10 | B1904201000 | 8 | 54 |
| 23137607 | 20 | 50 | B1403553000 | 6 | 9 | B1905541B00 | 8 | 55 |
| 23138209 | 18 | 23 | B1408201000 | 8 | 48 | B1905541B00 | 18 | 41 |
| 23138209 | 28 | 49 | B1411552000 | 8 | 49 | B2529352000 | 6 | 19 |
| 23138209 | 30 | 32 | B1414555000 | 6 | 14 | B2529352000 | 18 | 43 |
| 23138308 | 18 | 30 | B1505227T00A | 12 | 3 | B3114771000 | 2 | 13 |
| 23138407 | 18 | 31 | B1507552000 | 12 | 5 | B3118552F00 | 2 | 18 |
| 23138506 | 18 | 34 | B1515201000 | 12 | 14 | B3127127000 | 2 | 17 |
| 23138605 | 18 | 27 | B1516552000 | 12 | 17 | B3412552000 | 12 | 21 |
| 23138704 | 18 | 38 | B1517552000 | 12 | 18 | B3413227000 | 12 | 31 |
| 23141906 | 30 | 44 | B15185550A0 | 12 | 13 | B3414555000 | 12 | 24 |
| 23142003 | 26 | 11 | B1521552000 | 12 | 36 | B3415552000 | 12 | 32 |
| 23142052 | 26 | 10 | B1521555000 | 12 | 11 | B3416552000 | 12 | 22 |
| 23200702 | 14 | 44 | B1523226000 | 12 | 19 | B3416555000 | 12 | 27 |
| 26910059 | 24 | 2 | B1532581000 | 26 | 12 | B3417552000 | 12 | 30 |
| 40011503 | 2 | 32 | B1601201000A | 14 | 41 | B3418555000 | 12 | 28 |
| 40023223 | 6 | 10 | B1604141H00 | 16 | 53 | B34192010A0 | 26 | 25 |
| 40032132 | 26 | 27 | B1605201000 | 16 | 55 | B34192010B0 | 26 | 26 |
| 40033893 | 26 | 30 | B16072010A0A | 14 | 32 | B3420141H0A | 26 | 32 |
| 40054784 | 2 | 40 | B1611155000A | 14 | 29 | B3421555000 | 26 | 24 |
| 40054785 | 2 | 39 | B1619141H00 | 14 | 5 | B3425122000 | 26 | 28 |
| 40096354 | 24 | 1 | B1621201000 | 14 | 17 | B3425141H00 | 26 | 34 |
| 40114236 | 2 | 1 | B1624141H0A | 14 | 12 | B3434141H00 | 26 | 33 |
| 40130335 | 26 | 31 | B1627226000 | 14 | 21 | B3503201000 | 22 | 7 |
| 40130708 | 2 | 27 | B16331220A0 | 16 | 63 | B3504201000 | 22 | 8 |
| B1110012000 | 2 | 22 | B1646201000 | 14 | 26 | B3508512000 | 22 | 3 |
| B1111012000 | 2 | 23 | B1647226000 | 14 | 27 | B35102010A0 | 22 | 2 |
| B1113012000 | 14 | 35 | B1648122000 | 14 | 24 | B3511280000 | 6 | 35 |
| B111852200A | 2 | 4 | B1651141H00 | 16 | 54 | B3515201000 | 22 | 12 |
| B1126552000 | 2 | 15 | B1660481000 | 4 | 56 | B3527012000 | 22 | 11 |
| B1128522000 | 2 | 9 | B1661481000 | 4 | 57 | B3528201000 | 22 | 1 |
| B1156115000 | 2 | 7 | B1662481000 | 4 | 58 | B3537201000 | 22 | 5 |

NUMERICAL INDEX OF PARTS

| PART NO | PAGE | REF NO. | PART NO | PAGE | REF NO. | PART NO | PAGE | REF NO. |
|-------------|------|------------------|-------------|------|---------|-------------|------|---------|
| B8206012000 | 26 | 7 | RE0500000K0 | 12 | 29 | SS6110710TP | 16 | 60 |
| B8209012000 | 26 | 8 | RE0500711KP | 18 | 37 | SS6111620SP | 4 | 51 |
| B8213125AA0 | 28 | 74 | RE0600000K0 | 12 | 20 | SS6121210SP | 14 | 22 |
| B8218115000 | 26 | 18 | RO060150100 | 26 | 17 | SS6121610SP | 14 | 33 |
| B8219115000 | 26 | 19 | RO074240100 | 16 | 65 | SS6121860SP | 14 | 19 |
| B8220115000 | 26 | 15 | SD0630275SP | 12 | 15 | SS6151220SP | 14 | 4 |
| B8233555000 | 28 | 56 | SD0630301SP | 12 | 16 | SS6661110SP | 14 | 2 |
| B8235038000 | 28 | 72 | SD0720331SP | 12 | 26 | SS7090530SP | 8 | 63 |
| B91212200A0 | 26 | 22 | SD0950802SH | 14 | 7 | SS7090710SP | 14 | 25 |
| B9141372000 | 28 | 65 | SD1020961SP | 14 | 30 | SS7091110SP | 12 | 9 |
| CM300200001 | 2 | 29 | SK1271300SC | 26 | 21 | SS7110510SP | 2 | 12 |
| CM300800001 | 28 | 53 | SK3482500SC | 28 | 61 | SS7110510SP | 28 | 59 |
| CM301300001 | 2 | 30 | SK3483201SE | 28 | 73 | SS7110710SP | 22 | 4 |
| CM500300001 | 28 | 52 | SM4020301SC | 18 | 24 | SS7110910TP | 28 | 60 |
| CQ202000000 | 6 | 29 | SM6031202TP | 10 | 2 | SS7111110TP | 14 | 34 |
| CQ202000000 | 14 | 38 | SM6040802TP | 18 | 32 | SS7111120SP | 14 | 40 |
| CQ202000000 | 22 | 10 | SM6041012TP | 16 | 57 | SS7111120SP | 22 | 6 |
| CQ252000000 | 10 | 22 | SM6041202TP | 18 | 6 | SS7111410SP | 12 | 6 |
| CS0791016SH | 10 | 17 | SM6050802TP | 6 | 44 | SS7111810SP | 22 | 9 |
| CS0800816SH | 18 | 28 | SM6051002TP | 20 | 52 | SS7150740SP | 26 | 16 |
| CS095081ASH | 20 | 48 | SM6051202TP | 20 | 55 | SS7150940SP | 28 | 57 |
| MC231000900 | 6 | 7 | SM6051402TP | 16 | 50 | SS7151120SP | 6 | 30 |
| MC231000902 | 26 | 46-47-69- .70 | SM6051410SC | 10 | 19 | SS7620750SP | 14 | 23 |
| MC276001000 | 6 | 8 | SM6051602TP | 2 | 44 | SS7621040SP | 28 | 67 |
| MC276001002 | 26 | 46-47-69- .70 | SM8050502TP | 18 | 39 | SS7681750TP | 6 | 23 |
| MCP12JB2300 | 6 | 39 | SM8050612TP | 6 | 22 | SS8090540SP | 4 | 59 |
| MCP12JB2302 | 28 | 46-47-69- .70 | SM8050812TP | 18 | 18 | SS8090540SP | 6 | 12 |
| MCP1JJB2200 | 6 | 41 | SM8060612TP | 18 | 15 | SS8090670SP | 2 | 41 |
| MCP1JJB2202 | 28 | 46-47-69- .70 | SM9061203SE | 26 | 44 | SS8110422TP | 18 | 29 |
| NM6040001SC | 30 | 45 | SS2110915SP | 8 | 57 | SS8110510SP | 2 | 10 |
| NM6050003SC | 18 | 35 | SS2110920TP | 2 | 26 | SS8110520TP | 10 | 14 |
| NS6090310SP | 2 | 14 | SS4080620TP | 16 | 62 | SS8150310SP | 6 | 3 |
| NS6150430SP | 4 | 60 | SS4110815SP | 2 | 5 | SS8150310SP | 12 | 8 |
| NS6320640SP | 26 | 20 | SS4111215SP | 2 | 2 | SS8150710SP | 2 | 19 |
| NS6620310SP | 12 | 33 | SS5060310SP | 6 | 45 | SS8150710SP | 14 | 58 |
| NS6680410SP | 14 | 31 | SS5090610SP | 2 | 53 | SS8150710SP | 16 | 58 |
| NS6740510SP | 14 | 36 | SS5090610SP | 4 | 53 | SS8150710TP | 6 | 37 |
| PS0350102KR | 6 | 17 | SS6060210SP | 2 | 24 | SS8150710TP | 10 | 21 |
| PS0350102KR | 20 | 57 | SS6060440TP | 4 | 50 | SS8151150SP | 6 | 40 |
| PS0350252KR | 6 | 4 | SS6080410SP | 18 | 2 | SS8151150SP | 10 | 15 |
| RC0150001KP | 16 | 59 | SS6090630SP | 4 | 49 | SS8151550SP | 6 | 43 |
| RC0740811KP | 18 | 40 | SS6090650SP | 12 | 37 | SS8660512TP | 18 | 46 |
| | | | SS6090670TP | 8 | 50 | SS8660610TP | 6 | 32 |
| | | | SS6090910SP | 18 | 26 | SS8660610TP | 14 | 43 |
| | | | SS6110710TP | 8 | 59 | SS8660810TP | 6 | 34 |

NUMERICAL INDEX OF PARTS

| PART NO | PAGE | REF NO. |
|-------------|------|---------|
| SS8660810TP | 10 | 11 |
| SS8660810TP | 14 | 13 |
| SS8661040TP | 14 | 14 |
| SS8681950SP | 6 | 21 |
| SS9182010SN | 26 | 29 |
| TA0370601M0 | 18 | 17 |
| TA1250406R0 | 2 | 3 |
| TA1250705R0 | 2 | 6 |
| TA2050406R0 | 2 | 28 |
| WP0370316SD | 4 | 54 |
| WP0371016SD | 20 | 58 |
| WP0430801SE | 18 | 33 |
| WP0501016SC | 28 | 62 |
| WP0531001SE | 18 | 56 |
| WP0531001SE | 20 | 56 |
| WP0621016SD | 4 | 61 |
| WP0621016SD | 28 | 58 |
| WP0740516SP | 12 | 12 |
| WP0742016SP | 16 | 64 |
| WP1352616SZ | 26 | 13 |
| WZ1052010KP | 14 | 16 |