

MODEL : LK-1900A

List No : 1368-05

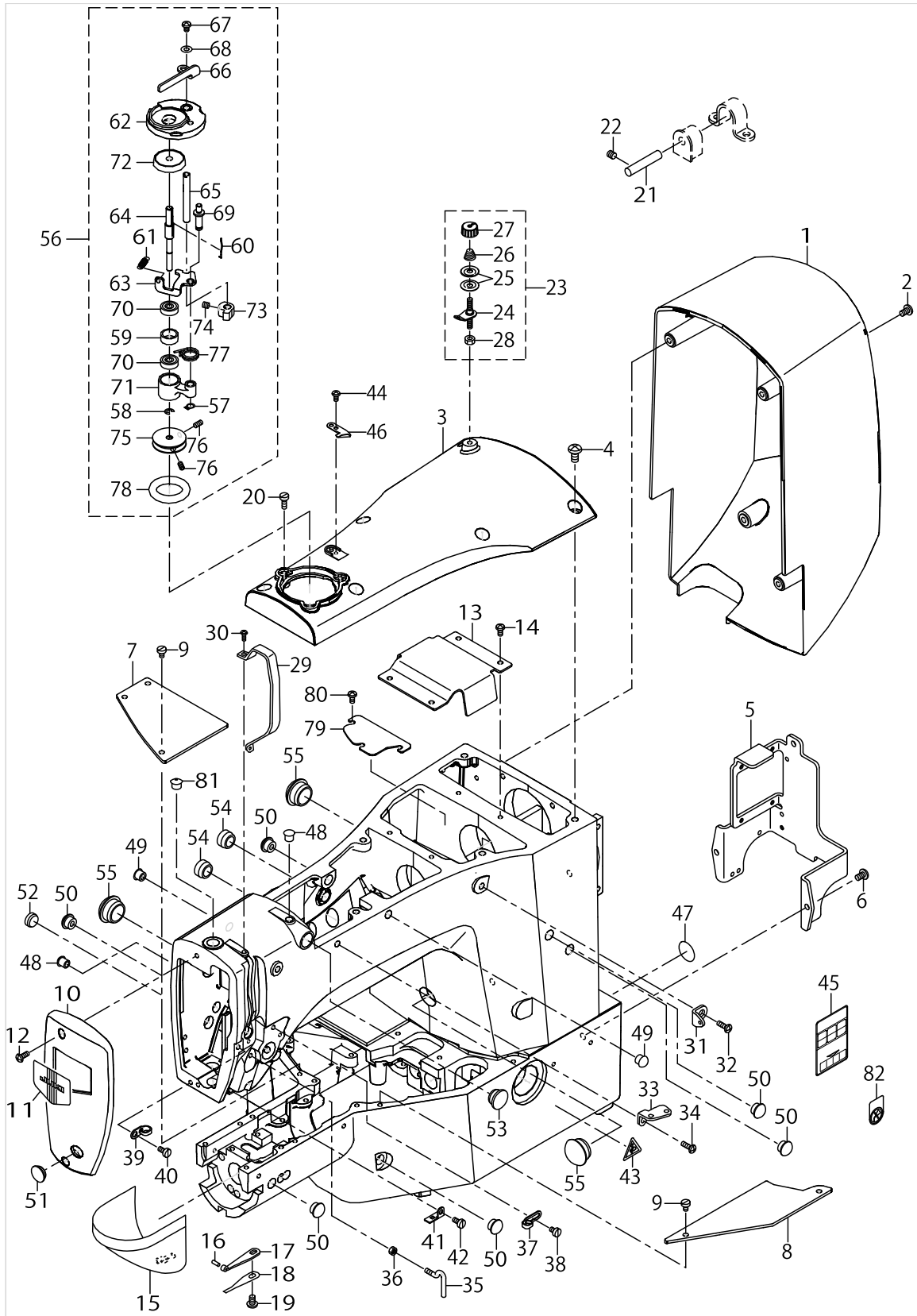
PARTS LIST

Published:09/10/2017

CONTENTS

FRAME & MISCELLANEOUS COVER COMPONENTS	1
MAIN SHAFT & NEEDLE BAR COMPONENTS	5
PRESSER LIFTER & WIPER COMPONENTS	9
SHUTTLE DRIVER SHAFT COMPONENTS.....	13
THREAD TENSION COMPONENTS	17
THREAD TRIMMER MECHANISM COMPONENTS.....	19
FEED MECHANISM COMPONENTS.....	21
TC CLAMP COMPONENTS.....	25
SENSOR COMPONENTS.....	27
THREAD STAND COMPONENTS.....	29
TABLE STAND COMPONENTS (JT-K44).....	31
CONTROL BOX COMPONENTS	33
OPERATION PANEL COMPONENTS.....	37
WIRING DIAGRAM.....	39
ACCESSORIE PART COMPONENTS.....	41
EXCLUSIVE PARTS FOR LK-1901AS (1).....	43
EXCLUSIVE PARTS FOR LK-1901AS (2).....	47
EXCLUSIVE PARTS FOR LK-1902AS,LK-1902AH (1).....	49
EXCLUSIVE PARTS FOR LK-1902AS,LK-1902AH (2)(TABLE STAND COMPONENTS/JT-K43)....	53
EXCLUSIVE PARTS FOR LK-1903AS-301,LK-1903AS-302 (1).....	55
EXCLUSIVE PARTS FOR LK-1903AS-301,LK-1903AS-302 (2).....	59
ACCESSORIES PARTS FOR LK-1900A SUBCLASSES.....	63
OPTION COMPONENTS (1).....	65
OPTION COMPONENTS (2) (FOR LK-1902A,LK-1903A).....	71
LK-1903A:OPTION COMPONENTS(FOR SHANK BUTTON).....	73
LIST FOR INFORMATION OF CHANGE (1).....	77
HOW TO MAKE USE OF THIS PARTS LIST	78

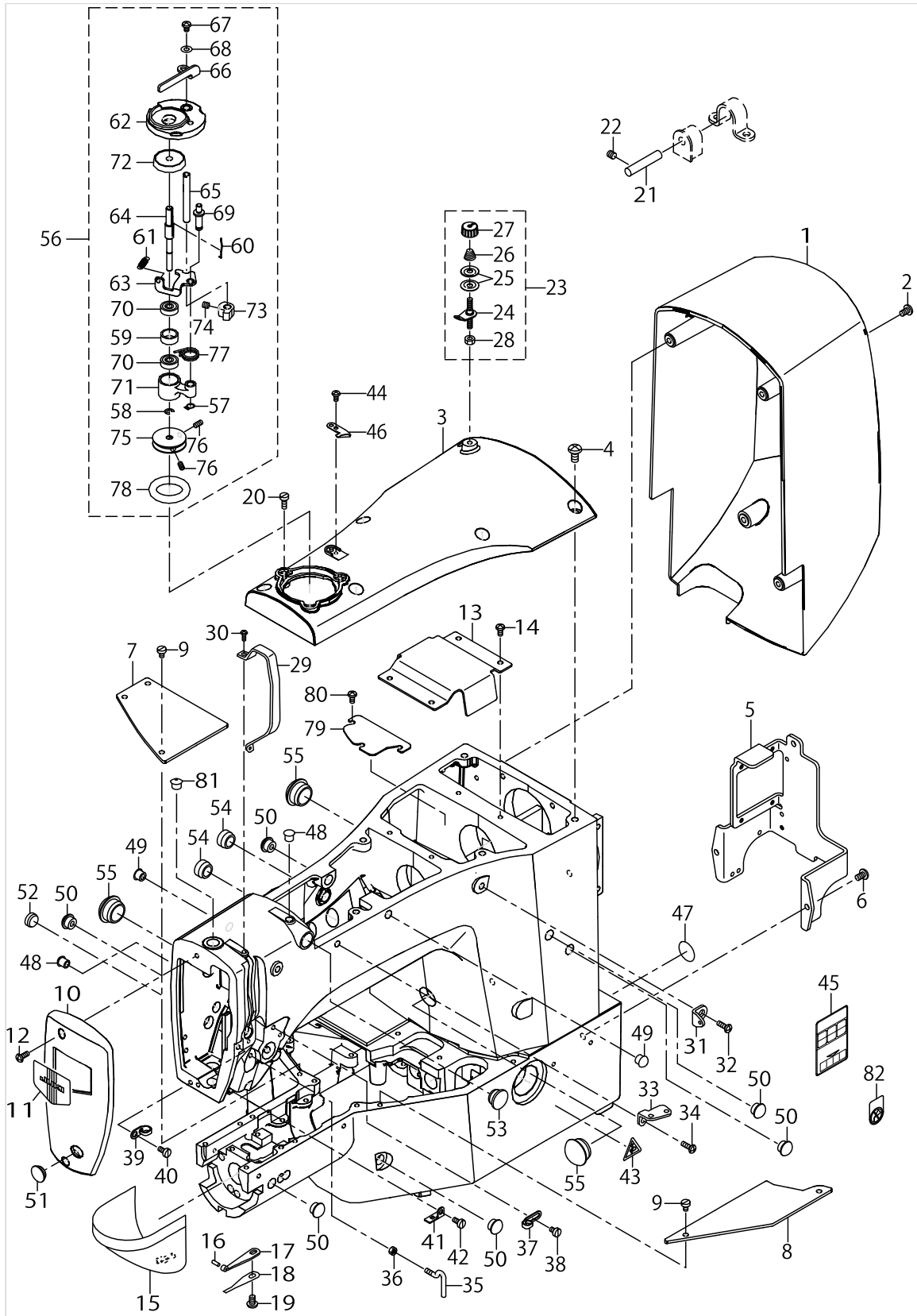
FRAME & MISCELLANEOUS COVER COMPONENTS



FRAME & MISCELLANEOUS COVER COMPONENTS

No.	Parts No.	Parts name	Remarks	Level	Cons	Qty
1	40006475	MOTOR COVER				1
2	SM5040855SN	SCREW				4
3	40006478	UPSIDE COVER				1
4	SM4061255SP	SCREW M6 L=12				6
5	40010404	PROTECTION_PLATE				1
6	SM4050855SP	SCREW				3
7	40006487	BED COVER LEFT				1
8	40006488	BED COVER RIGHT				1
9	SM6040650TP	SCREW M4 L=6				5
10	40006481	FACE COVER				1
11	22902506	FACE PLATE				1
12	SM4041055SP	SCREW				2
13	40010405	CRANK_ROD_COVER				1
14	SM5040855SN	SCREW				4
15	13816855	CYLINDER ARM CAP				1
16	13508700	HOOK COVER PRESSER SPRING PIN				1
17	13508809	HOOK COVER PRESSER SPRING A				1
18	13508908	HOOK COVER PRESSER SPRING B				1
19	SM5040855SN	SCREW				1
20	SM6041150TP	SCREW M4 L=11				3
21	B2707761000	HINGE STUD				2
22	SM8060612TP	SCREW M6 L=6				4
23	14113468	BOBBIN THREAD TENSION ASM.				1
24	14113450	BOBBIN THREAD TENSION ROD ASM.		*		1
25	B3126012000	THREAD TENSION DISK		*		2
26	D7133555B00	CONNECTING ROD SPRING		*		1
27	11072402	THREAD TENSION NUT		*		1
28	NS6110310SP	NUT 11/64-40		*		1
29	13816608	BALANCE COVER				1
30	SM4030855SN	SCREW M3 L=8.0				2
31	40010414	THREAD_GUIDE_NO.1				1
32	SM4061255SP	SCREW M6 L=12				1
33	B1111232000	THREAD GUIDE PLATE				1
34	SM4061255SP	SCREW M6 L=12				1
35	40010571	L_SHAPED_THREAD_GUIDE_A				1
36	NM6040000SN	NUT M4				1
37	22920508	ARM THREAD GUIDE A				1
38	SM6040650TP	SCREW M4 L=6				1
39	13705108	TAKE-UP THREAD GUIDE B				1
40	SM6040860TP	SCREW M4 L=8				1
41	B1129210000	FRAME THREAD GUIDE (B)				1
42	SM6040860TP	SCREW M4 L=8				1
43	CM300200002	CAUTION LABEL(25)				1
44	SM4030601SN	SCREW M3X6				1
45	CM301200001	SAFETY LABEL_S				1
46	10502300	THREAD CUTTER				1
47	10004109	GROUND MARK				1

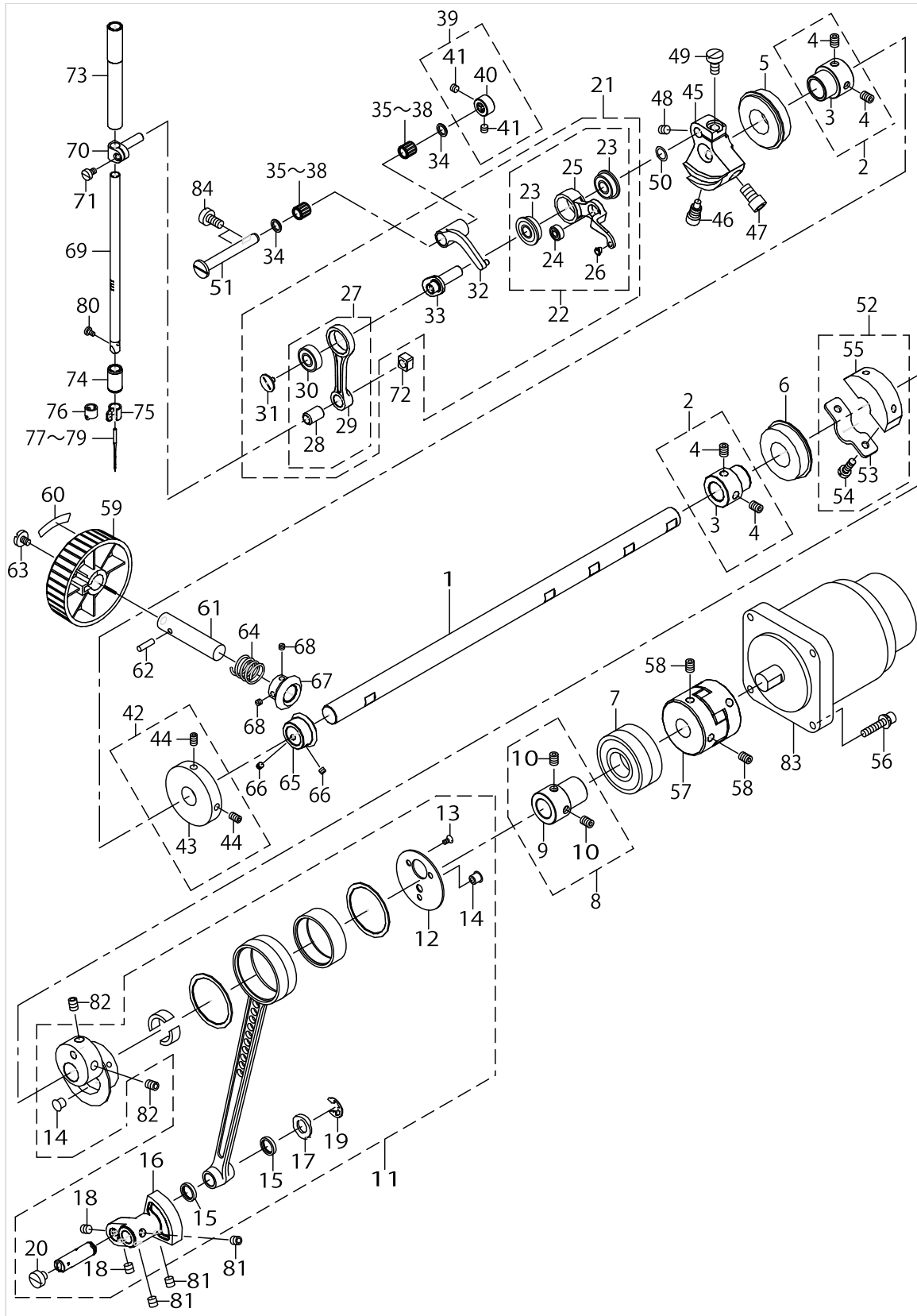
FRAME & MISCELLANEOUS COVER COMPONENTS



FRAME & MISCELLANEOUS COVER COMPONENTS

No.	Parts No.	Parts name	Remarks	Level	Cons	Qty
48	TA0750704R0	RUBBER PLUG				2
49	TA0850604R0	RUBBER PLUG				2
50	TA1050504R0	RUBBER PLUG				6
51	TA1250406R0	RUBBER PLUG D=12.5 L=4				1
52	TA1270502R0	RUBBER PLUG				1
53	TA1470704R0	RUBBER PLUG				1
54	TA1550902R0	PLUG				2
55	TA2100904R0	RUBBER PLUG				3
56	26260000	BOBBIN WINDER UNIT				1
57	RC0560711KP	RETAINING RING		*		1
58	RE0400000K0	E-RING 4		*		1
59	26260802	BTW BEARING SPACER		*		1
60	26261602	BOBBIN SPRING		*		1
61	26261701	BTW SPRING		*		1
62	26260109	BTW BASE		*		1
63	26260208	BTW CAM PLATE		*		1
64	26260901	BTW SHAFT		*		1
65	26261008	BTW LEVER SHAFT		*		1
66	26261107	BTW LEVER		*		1
67	SM5040655SN	SCREW		*		1
68	WP0450826SC	WASHER 4.5X10X0.8		*		1
69	26260307	BTW BASE SHAFT		*		1
70	26261305	BTW BEARING		*		2
71	26260406	BTW SHAFT BASE		*		1
72	26261206	BTW SPACER		*		1
73	26260505	BTW CAM LEVER		*		1
74	SM8050502TP	SCREW M5 L=5		*		1
75	26260604	BTW WHEEL		*		1
76	SM8040802TP	SCREW M4X8		*		2
77	26260703	BTW TORSION SPRING		*		1
78	26261503	BTW WHEEL RUBBER		*		1
79	40011928	CRANK ROD UNDER COVER				1
80	SM5040855SN	SCREW				2
81	22901409	NEEDLE BAR UPPER BUSH CAP				1
82	CM100100001	OIL INJECTION PROHIBITION LABEL				1

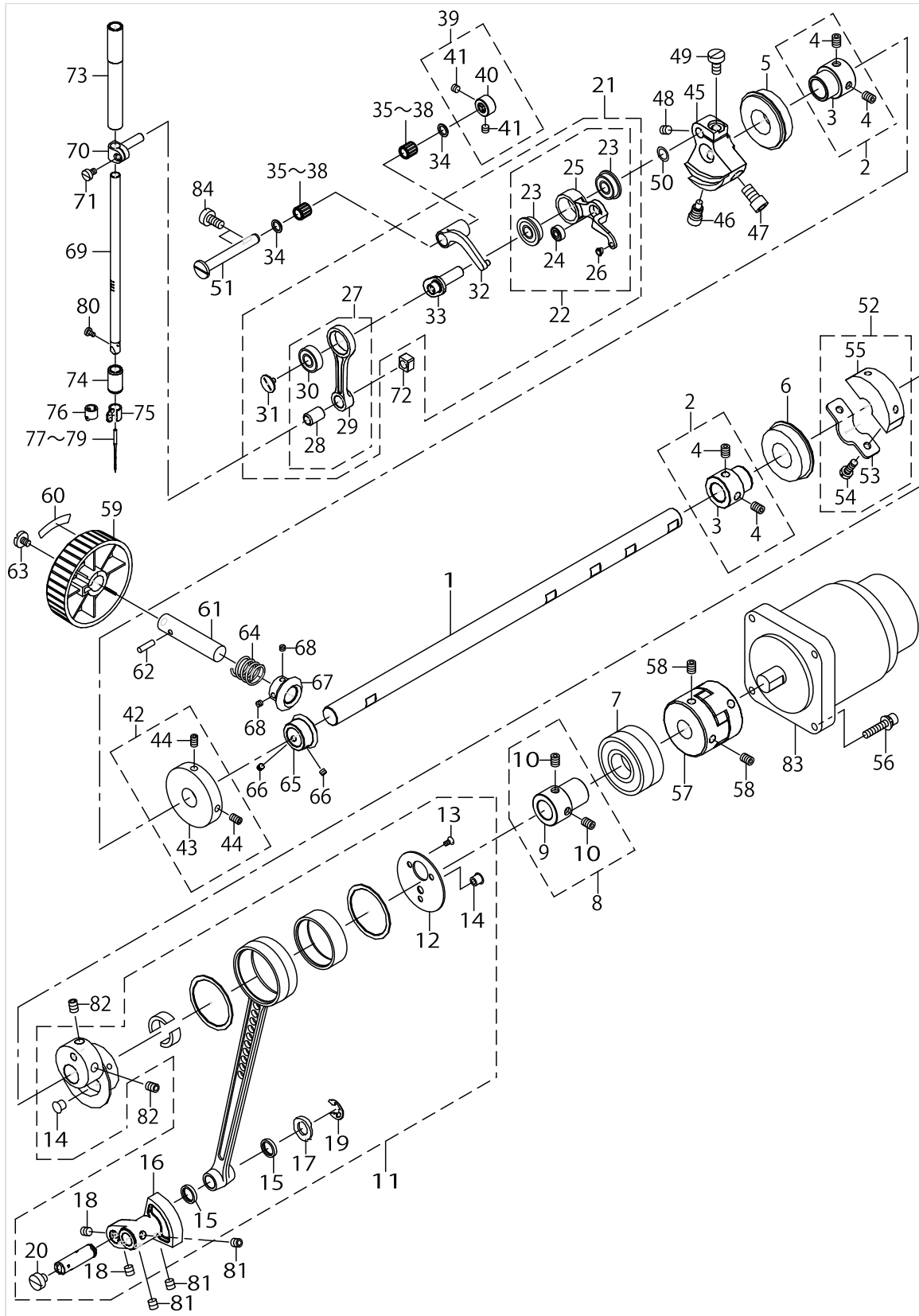
MAIM SHAFT & NEEDLE BAR COMPONENTS



MAIM SHAFT & NEEDLE BAR COMPONENTS

No.	Parts No.	Parts name	Remarks	Level	Cons	Qty
1	40010572	MAIN SHAFT				1
2	40010415	BEARING_BUSH_A_ASM.				2
3	40010416	BEARING_BUSH_A		*		2
4	SM8060812TP	SCREW M6 L=8		*		4
5	SB120001800	BEARING				1
6	SB120001800	BEARING				1
7	SB120001700	BEARING				1
8	40010418	BEARING_BUSH_B_ASM.				1
9	40010419	BEARING_BUSH_B		*		1
10	SM8060812TP	SCREW M6 L=8		*		2
11	40031136	CRANK_ROD_ALL_ASM.				1
12	40010421	CRANK_ROD_SUPPORT_PLATE		*		1
13	SM1030601SP	SCREW M3 L=6		*		3
14	TA0670604R0	PLUG D=6.7 L=6		*		2
15	10108009	OIL SEAL		*		2
16	40006561	OSCILLATOR		*		1
17	40026818	WASHER		*		1
18	SM8480652TP	SCREW		*		2
19	RE0800000K0	E-SHAPED SNAP RING (8MM)		*		1
20	SM6060550TP	SCREW M6 L=4.5		*		1
21	40006529	THREAD TAKE UP COMPL.				1
22	40006530	THREAD TAKE UP LEVER ASM.		*		1
23	SB108002200	BEARING		*		2
24	SB104001600	BEARING		*		1
25	40006531	THREAD TAKE UP LEVER		*		1
26	B1908505000	THREAD PASS BUSH		*		1
27	40006534	NEEDLE BAR CRANK ROD ASM.		*		1
28	22891006	NEEDLE BAR CRANK ROD METAL		*		1
29	40006535	NEEDLE BAR CRANK ROD		*		1
30	SB108002300	BEARING		*		1
31	B1903552000	LEFT SCREW		*		1
32	40006532	THREAD TAKE UP CRANK		*		1
33	40006537	NEEDLE ROD CRANK		*		1
34	22891204	BEARING SUPPORT				2
35	SB30700020A	BEARING	SELECTIVE PARTS			2
36	SB30700020B	BEARING	SELECTIVE PARTS			2
37	SB30700020C	BEARING	SELECTIVE PARTS			2
38	SB30700020D	BEARING	SELECTIVE PARTS			2
39	40010434	THRUST_COLLAR_ASM.				1
40	40010435	THRUST_COLLAR		*		1
41	40010436	THRUST_COLLAR_SCREW		*		2
42	40010533	BTW_DRIVING_WHEEL_ASM.				1
43	40010534	BTW_DRIVING_WHEEL		*		1
44	40010533	BTW_DRIVING_WHEEL_ASM.		*		2
45	40010423	COUNTER_WEIGHT				1
46	40006517	COUNTER_WEIGHT SCREW A				1
47	SM6081252TP	BOLT M8 L=12				1

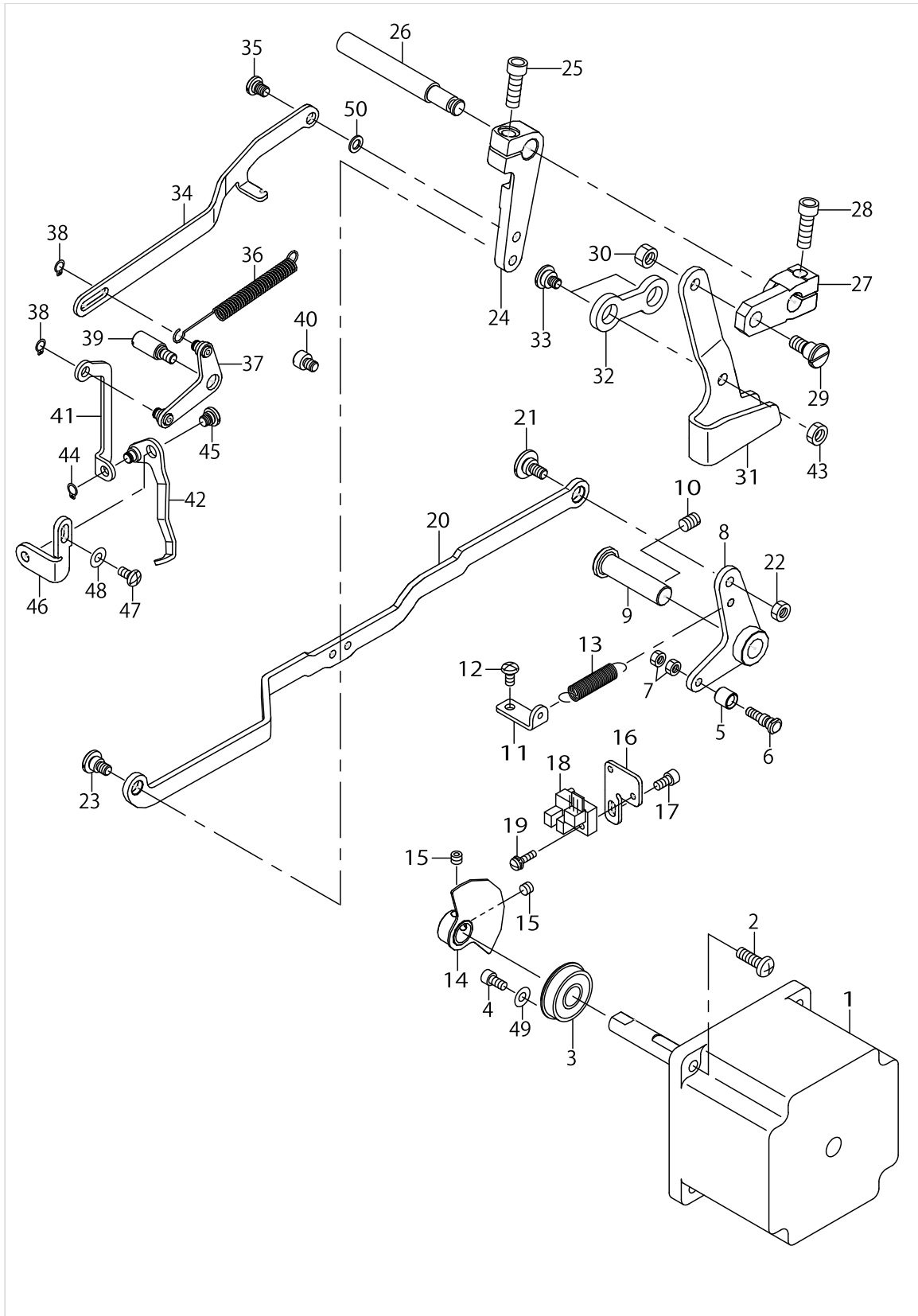
MAIM SHAFT & NEEDLE BAR COMPONENTS



MAIM SHAFT & NEEDLE BAR COMPONENTS

No.	Parts No.	Parts name	Remarks	Level	Cons	Qty
48	SM8480652TP	SCREW M6X0.75 L=6				1
49	SM6061200SP	SCREW				1
50	WP0820516SP	WASHER 11.6X8.2X0.6				1
51	40011902	THREAD_TAKE_UP_CRANK_SHAFT				1
52	40010437	CRANK_BALANCER_ASM.				1
53	40010439	CRANK_BALANCER_FIX_PLATE		*		1
54	40010440	CRANK_BALANCER_FIX_PLATE_SCREW		*		2
55	40010438	CRANK_BALANCER		*		1
56	SL6052592TN	BOLT				4
57	23604309	COUPLING				1
58	SM8060812TP	SCREW M6 L=8				4
59	B1212210D00	PULLEY				1
60	B1144210000	REVOLVING DIRECTION LABEL				1
61	26500306	HAND PULLEY SHAFT				1
62	PS0400142KH	SPRING PIN 4X14				1
63	A123050000A	SET-SCREW				1
64	GAF01007000	SPRING				1
65	40006515	GEAR A				1
66	SM8040310SS	SCREW M4 L=3				2
67	40006516	GEAR B				1
68	SM8040310SS	SCREW M4 L=3				2
69	40010573	NEEDLE BAR				1
70	B1411552000	NEEDLE BAR CLAMP				1
71	SS6090670TP	SCREW 9/64-40 L=6				1
72	B1414555000	SLIDE BLOCK				1
73	40010441	NEEDLE ROD METAL				1
74	40010442	NEEDLE ROD LOWER METAL				1
75	40010574	THREAD_GUIDE	EXCEPT LK-1900AH,AW			1
76	D1405L7AM00	NEEDLE BAR THREAD GUIDE	FOR LK-1900AH,AW			1
77	MDP500B1100	NEEDLE DPX5 #11	FOR LK-1900AF,AM			1
78	MDP500B1400	NEEDLE DPX5 #14	FOR LK-1900AS			1
79	MDP170B2100	NEEDLE DPX17 #21	FOR LK-1900AH,AW			1
80	SM7030550TP	SCREW M3 L=4.5				1
81	SM8480652TP	SCREW M6X0.75 L=6				3
82	SM8060812TP	SCREW M6 L=8				2
83	40028015	AC SERVO MOTOR				1
84	SM6061250TP	SCREW M6 L=12				2

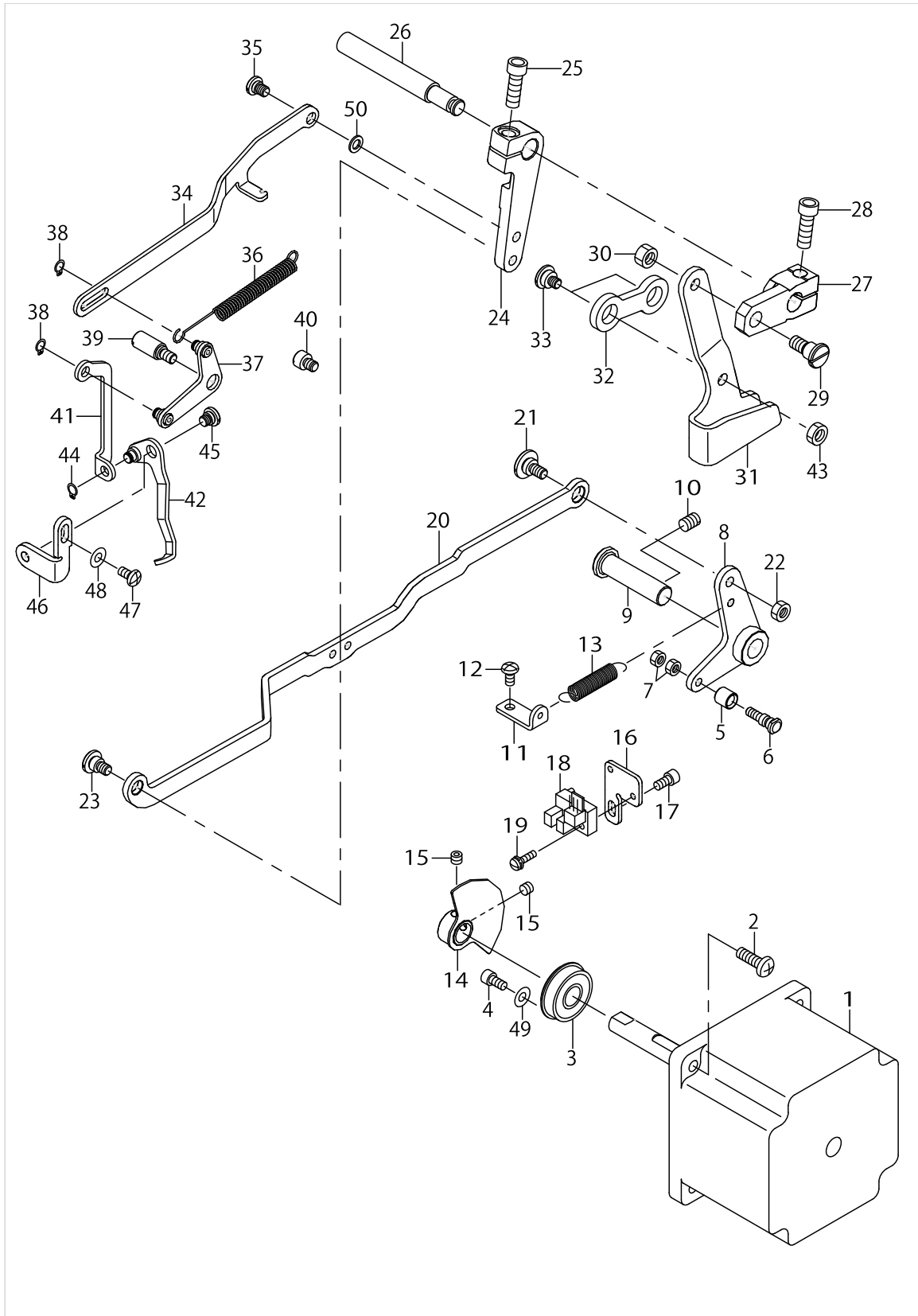
PRESSER LIFTER & WIPER COMPONENTS



PRESSER LIFTER & WIPER COMPONENTS

No.	Parts No.	Parts name	Remarks	Level	Cons	Qty
1	40029903	PRESSER LIFTING MOTOR				1
2	SM4051655SP	SCREW M5 L=16				4
3	SB110002400	BEARING				1
4	SM6040802TP	SCREW M4X0.7 L=8				1
5	23517501	NEEDLE CAM ROLLER A				1
6	40040256	CAM ROLLER SHAFT				1
7	NM6040001SP	NUT M4X0.7				2
8	40006661	LIFTER LINK A ASM.				1
9	40006716	THREAD TRIMMER SHAFT				1
10	SM8060812TP	SCREW M6 L=8				1
11	40023831	SPRING_RACK				1
12	SM4040855SP	SCREW				1
13	13515606	SPRING				1
14	40006666	SENSOR SLIT ASM.				1
15	SM8050402TP	SCREW				2
16	40010443	SENSOR_INSTALLING_BASE				1
17	SM6040802TP	SCREW M4X0.7 L=8				1
18	HD00057000A	PHOTO SENSOR				1
19	SL4031291SC	SCREW M3X12				1
20	40006665	LIFTER LINK B				1
21	SD0800327TP	HINGE SCREW D=8 H=3.2				1
22	NM6050001SP	NUT M5				1
23	SD0700406TP	HINGE SCREW D=7 H=4				1
24	40006671	CONNECTING ARM				1
25	SM6061802TP	SCREW M6 L=18				1
26	40083882	CONNECTING SHAFT				1
27	40008693	LOWERING ARM				1
28	SM6061802TP	SCREW M6 L=18				1
29	SD0790606TP	HINGE SCREW D=7.94 H=6				1
30	NM6060001CP	NUT M6				1
31	40006672	LOWERING FOOT				1
32	14104400	CONNECTING LINK				1
33	SD1000406TP	HINGE SCREW D=10 H=4				2
34	40006674	WIPER CONNECTING LINK				1
35	SD0600206TP	HINGE SCREW D=6 H=2				1
36	13509708	SPRING				1
37	40010451	WIPER_CONNECTING_ARM_ASM				1
38	RC0470611KP	RETAINING RING 4.7				2
39	40010455	WIPER_CONNECTING_LINK_SHAFT				1
40	40010457	WIPER_STOPPER				1
41	40010458	WIPER_CONNECTING_PLATE				1
42	40017202	WIPER C ASM.				1
43	NM6060003SC	NUT M6				1
44	RC0470611KP	RETAINING RING 4.7				1
45	SD0640216TP	HINGE SCREW D=6.35 H=2.1				1
46	40006678	WIPER BASE PLATE				1
47	SM4040855SP	SCREW				1

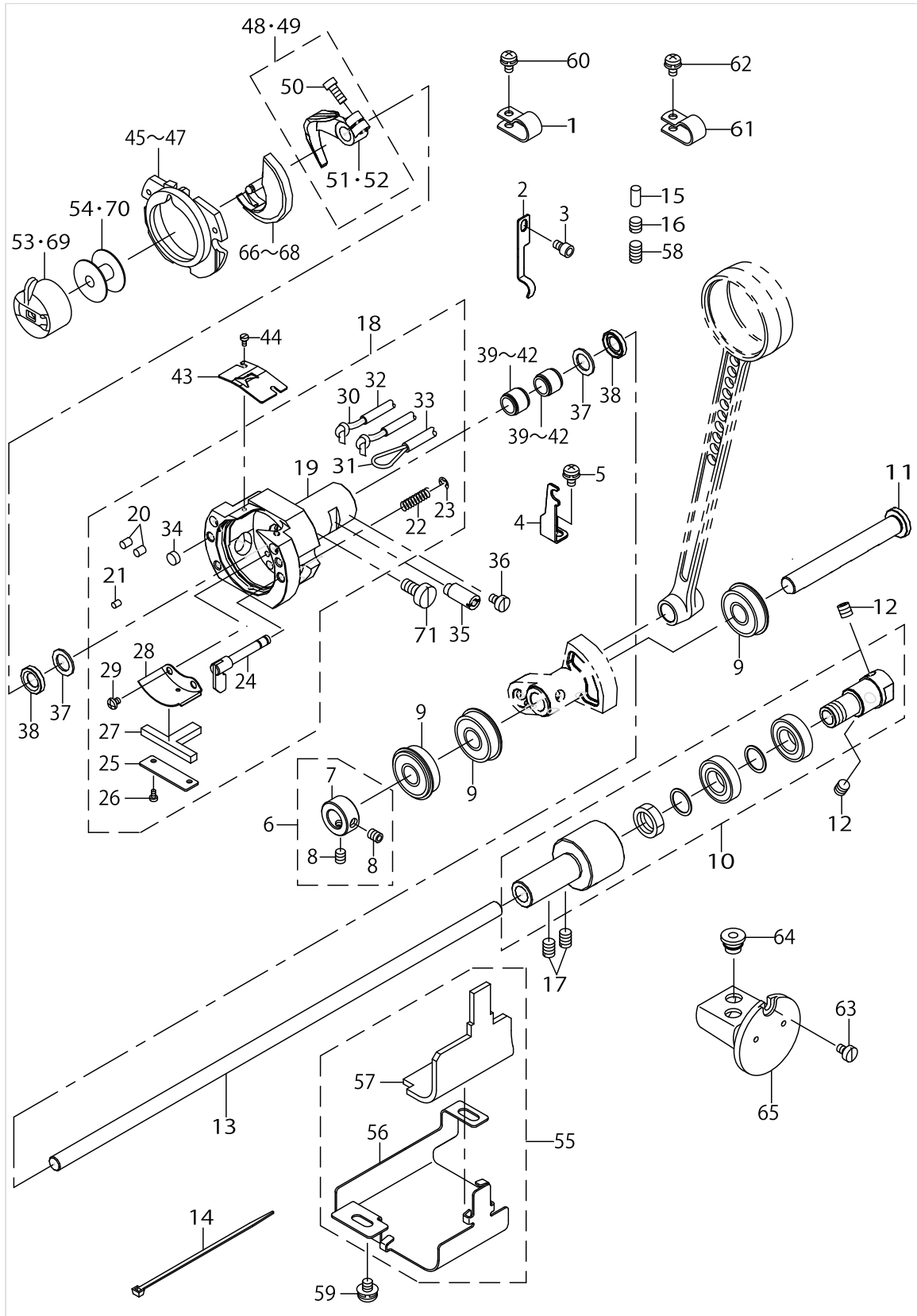
PRESSER LIFTER & WIPER COMPONENTS



PRESSER LIFTER & WIPER COMPONENTS

No.	Parts No.	Parts name	Remarks	Level	Cons	Qty
48	WP0450801SP	WASHER				1
49	WP0450801SP	WASHER				1
50	WP0480856SP	WASHER 4.8X8.4X0.8				1

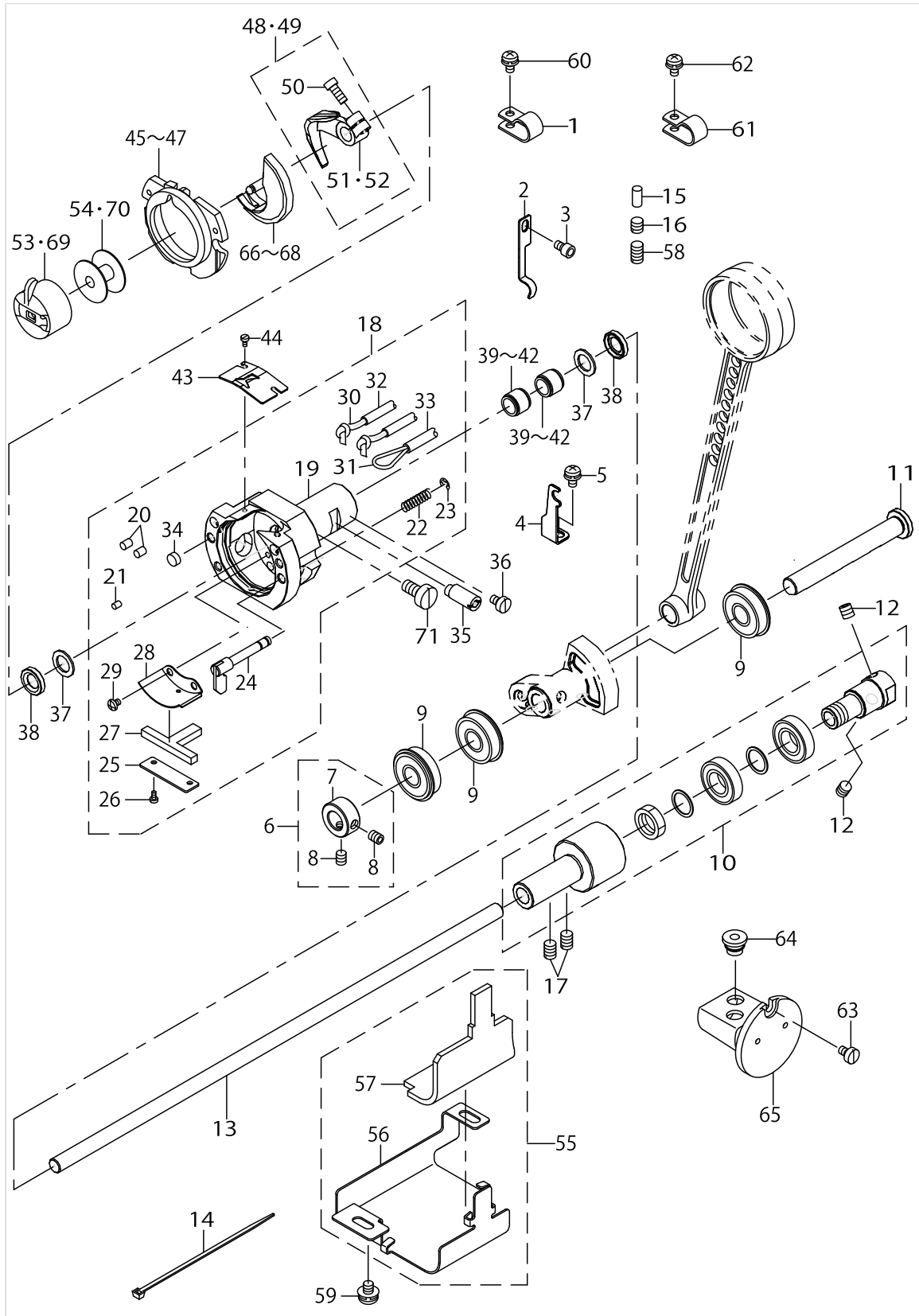
SHUTTLE DRIVER SHAFT COMPONENTS



SHUTTLE DRIVER SHAFT COMPONENTS

No.	Parts No.	Parts name	Remarks	Level	Cons	Qty
1	HX00150000D	CABLE CLIP				1
2	40012127	OIL_PIPE_HOLDER				1
3	SM6040602TP	SCREW M4 L=6				1
4	40013721	TUBE_CLAMP				1
5	SL4040891SC	SCREW M4 L=8				1
6	40010464	THRUST_COLLAR_ASM.				1
7	40010467	THRUST_COLLAR		*		1
8	40010469	THRUST_COLLAR_SCREW		*		2
9	SB110002400	BEARING				3
10	40016077	LOWER_SHAFT_GEAR_ASM.				1
11	40006563	OSCILLATOR SHAFT				1
12	SM8060612TP	SCREW M6 L=6				2
13	40010575	LOWER SHAFT				1
14	EA9500B0100	CABLE BAND				2
15	40006578	OIL WICK PRESSER				1
16	SM8060610TP	SCREW				1
17	SM8060812TP	SCREW M6 L=8				2
18	40006573	SHUTTLE_ASM.				1
19	40089365	SHUTTLE		*		1
20	B1820210D00	SHUTTLE OIL FELT,A		*		2
21	B1821210D00	SHUTTLE OIL FELT,B		*		1
22	B1822215P00	INNER HOOK PRESSER SPRING		*		2
23	RE0300000K0	E-RING 3		*		2
24	26501858	INNER-HOOK-PRESSER_ASM.		*		2
25	14104004	ONCE THROUGH OIL FELT PRESSER		*		1
26	SM6020460TP	SCREW M2 L=3.5		*		2
27	14103907	SHUTTLE ONCE THROUGH OIL FELT		*		1
28	40006577	SHUTTLE LUBRICATING PLATE		*		1
29	SM4030455SP	SCREW		*		2
30	CQ200000000	OIL WICK		*		2.6
31	CQ200000000	OIL WICK		*		1.4
32	23630007	TUBE		*		1
33	23630007	TUBE		*		0.6
34	13529607	SHUTTLE PACKING		*		2
35	40010471	SHUTTLE_RACE_ADJUSTING_SHAFT				1
36	SM6040650TP	SCREW M4 L=6				1
37	40006575	SHUTTLE BEARING RING				2
38	40006576	SHUTTLE OIL SEAL				2
39	SB30800100A	BEARING	SELECTIVE PARTS			2
40	SB30800100B	BEARING	SELECTIVE PARTS			2
41	SB30800100C	BEARING	SELECTIVE PARTS			2
42	SB30800100D	BEARING	SELECTIVE PARTS			2
43	B1815210000	INNER HOOK UPPER SPRING				1
44	SM6020460TP	SCREW M2 L=3.5				2
45	14103253	INNER HOOK PRESSER_ASM., A	FOR LK-1900AF,AM			1
46	14103352	INNER HOOK PRESSER_ASM., B	FOR LK-1900AS			1
47	14103659	SHUTTLE RACE RING_ASM.,C	FOR LK-1900AH,AW			1

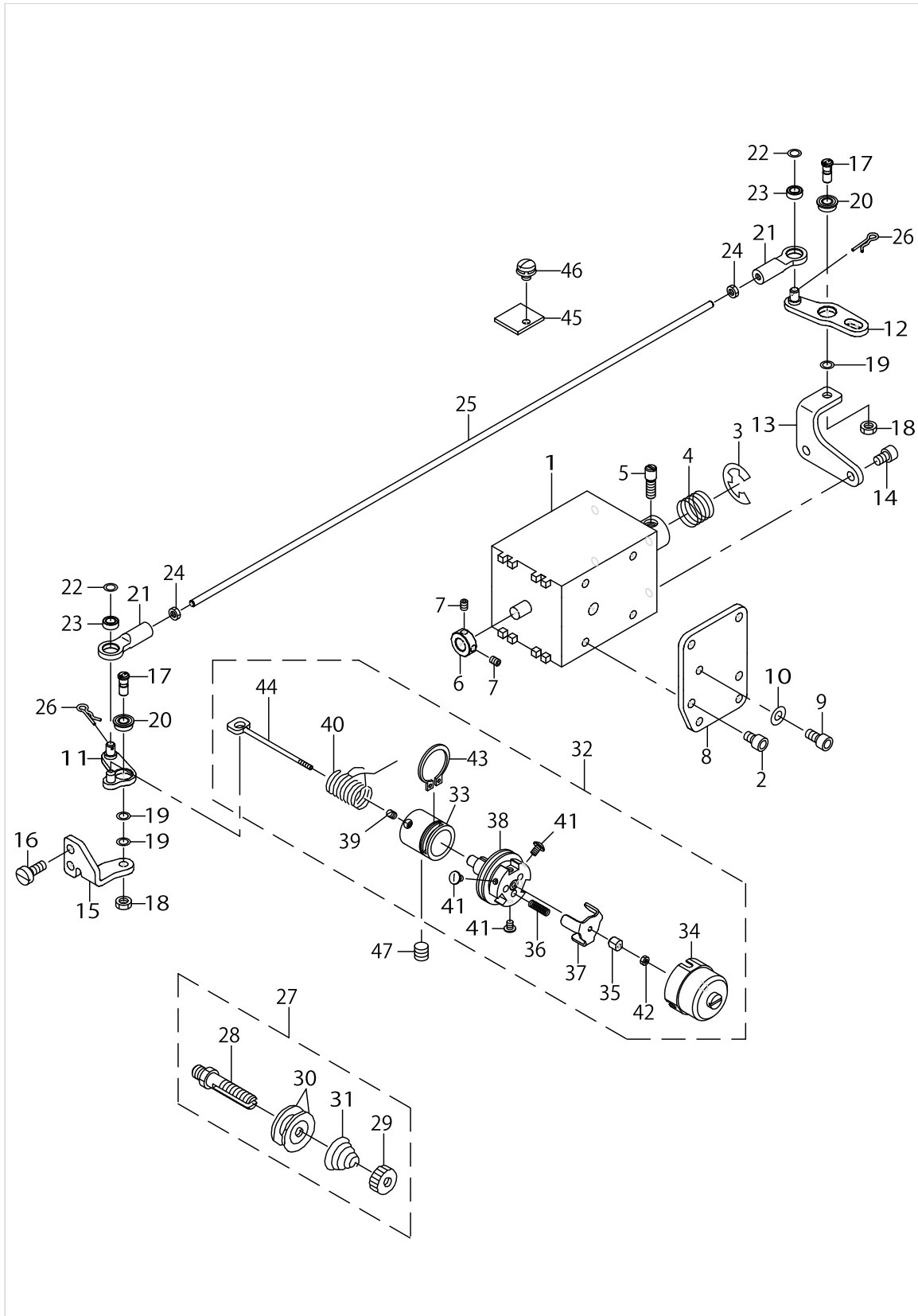
SHUTTLE DRIVER SHAFT COMPONENTS



SHUTTLE DRIVER SHAFT COMPONENTS

No.	Parts No.	Parts name	Remarks	Level	Cons	Qty
48	40011512	DRIVER_ASM.	EXCEPT LK-1900AW			1
49	40014963	SHUTTLE DRIVER ASM.	FOR LK-1900AW			1
50	SS6121212TP	SCREW 3/16-28 L=12.0		*		1
51	40011511	SHUTTLE_DRIVER	EXCEPT LK-1900AW	*		1
52	40010879	SHUTTLE DRIVER	FOR LK-1900AW	*		1
53	B18289800BB	BOBBIN CASE ASM. (RACING PREVE)	EXCEPT LK-1900AW			1
54	13812102	BOBBIN	EXCEPT LK-1900AW			1
55	40010473	LOWER_SHAFT_GEAR_COVER_ASM.				1
56	40010474	LOWER_SHAFT_GEAR_COVER		*		1
57	40010475	LOWER_SHAFT_GEAR_FELT		*		1
58	SM8061050TP	SCREW				1
59	SL4040891SC	SCREW M4 L=8				2
60	SL4040891SC	SCREW M4 L=8				1
61	HX00150000B	CABLE CLIP				2
62	SL4040891SC	SCREW M4 L=8				2
63	SM6040650TP	SCREW M4 L=6				1
64	40006840	RUBBER BUSH				2
65	40006836	OIL TANK ASM.				1
66	40006580	SHUTTLE	EXCEPT LK-1900AH,AW			1
67	40006581	SHUTTLE (H)	FOR LK-1900AH			1
68	40014965	SHUTTLE(H)	FOR LK-1900AW			1
69	B1828210DAA	BOBBIN CASE ASM.	FOR LK-1900AW			1
70	B1806210D00	BOBBIN	FOR LK-1900AW			1
71	40010470	SHUTTLE_ASM_SCREW				1

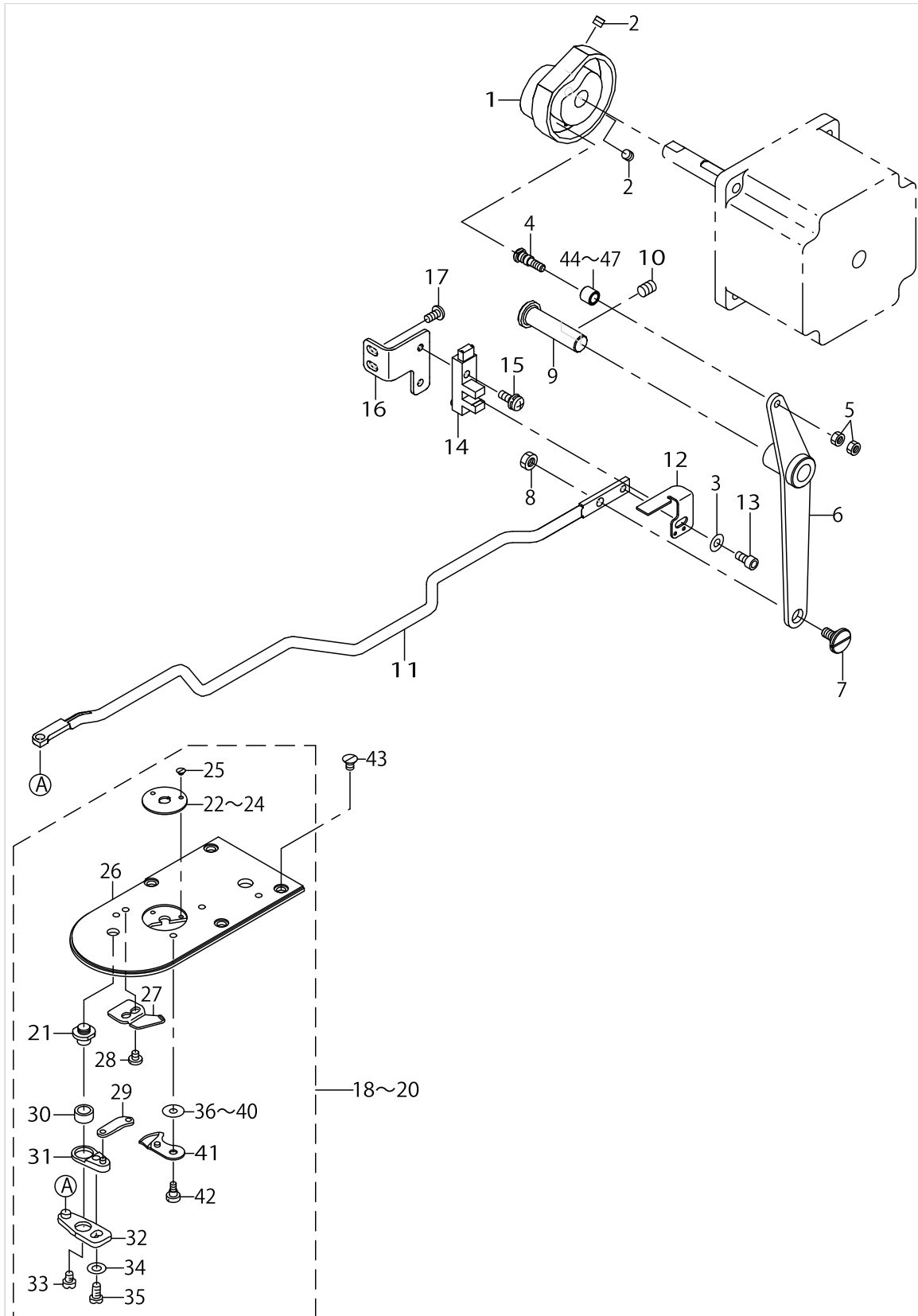
THREAD TENSION COMPONENTS



THREAD TENSION COMPONENTS

No.	Parts No.	Parts name	Remarks	Level	Cons	Qty
1	40006628	AT SOLENOID				1
2	SM6040602TP	SCREW M4 L=6				4
3	RE0900000K0	E-RING 9				1
4	40006625	SPRING				1
5	40006617	AT SOL PIN				1
6	40010477	AT_SOL_COLLAR				1
7	SM8030412TP	SCREW				2
8	40010479	AT_PLATE				1
9	SM6040802TN	SCREW				2
10	WP0430801SC	WASHER 4.3X9X0.8				2
11	40010482	AT_DRIVE_LINK(F)_ASM				1
12	40010492	AT_DRIVE_LINK(R)_ASM				1
13	40010495	AT_PIVOT_BASE(R)				1
14	SM6040602TP	SCREW M4 L=6				2
15	40010486	AT_PIVOT_BASE(F)				1
16	SM6041050TP	SCREW M4 L=10				2
17	40010487	AT_PIVOT_SCREW				2
18	NM6040003SC	NUT M4				2
19	WP0400516UZ	PLAIN WASHER				3
20	40010490	AT_PIVOT_BEARING				2
21	40010497	AT_JOINT				2
22	WP0400516UZ	PLAIN WASHER				2
23	40010498	AT_JOINT_BEARING				2
24	NM6030003SC	NUT M3				2
25	40010500	AT_CONNECTION_BAR				1
26	40006622	AT SNAP PIN				2
27	40010503	THREAD_TENSION_1_ASM				1
28	40010504	THREAD_TENSION_SHAFT		*		1
29	22928808	NUT		*		1
30	22921506	THREAD TENSION DISK		*		2
31	26218602	FIRST_THREAD_TENSION_SPRING		*		1
32	40010508	THREAD_TENSION_2_ASM				1
33	40010510	THREAD_TENSION_POST_BASE		*		1
34	40010511	DISK_STOPPER HOLDER_CAP		*		1
35	40010512	THREAD_TENSION_SHAFT_COLLAR		*		1
36	40010513	DISK_STOPPER_SP		*		3
37	40010514	DISK_STOPPER		*		1
38	40010515	ASSY_THREAD_TENSION_POST		*		1
39	40010478	AT_SOL_COLLAR_SCREW		*		1
40	22921605	THREAD TAKE-UP SPRING		*		1
41	40010521	HOLD_CAP_SCREW		*		3
42	40010522	SHAFT_NUT		*		1
43	40010523	POST_BASE_C_RING		*		1
44	40010509	THREAD_TENSION_SHAFT		*		1
45	40013967	AT-FELT				1
46	SL4040681SC	COMBINATION SCREW M4 X 8				1
47	SM8061612TP	SCREW M6X16				1

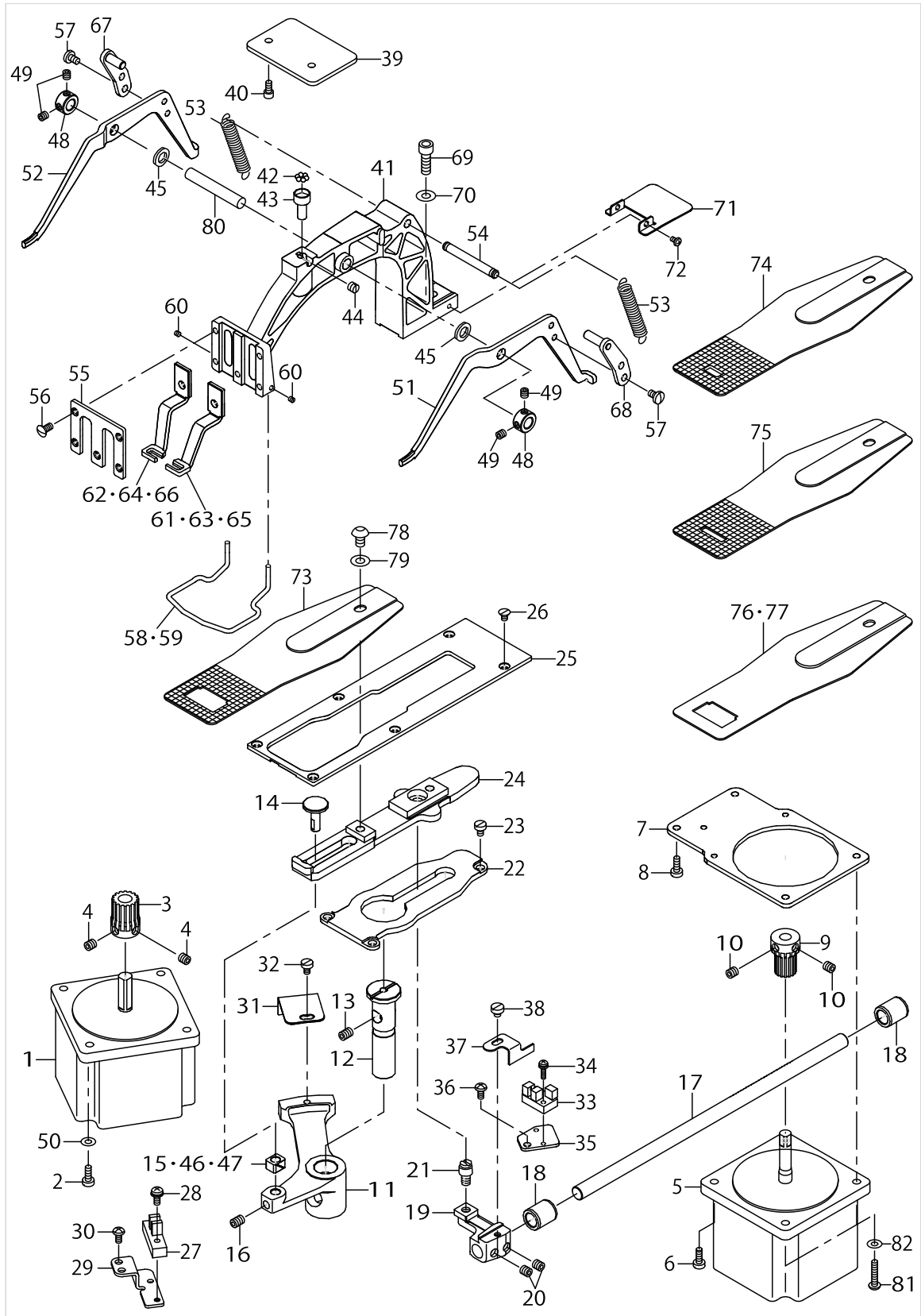
THREAD TRIMMER MECHANISM COMPONENTS



THREAD TRIMMER MECHANISM COMPONENTS

No.	Parts No.	Parts name	Remarks	Level	Cons	Qty
1	40006711	THREAD TRIMMER CAM				1
2	SM8050592TP	SCREW				2
3	WP0450801SP	WASHER				1
4	40040256	CAM ROLLER SHAFT				1
5	NM6040001SP	NUT M4X0.7				2
6	40006712	THREAD TRIMMER LINK ASM.				1
7	SD0800327TP	HINGE SCREW D=8 H=3.2				1
8	NM6050001SP	NUT M5				1
9	40006716	THREAD TRIMMER SHAFT				1
10	SM8060812TP	SCREW M6 L=8				1
11	40006717	CONNECTING BAR				1
12	40010525	THREAD_TRIMMER_SENSOR_SLIT				1
13	SM6040802TP	SCREW M4X0.7 L=8				1
14	HD002230000	PHOTO SENSOR				1
15	SL4041291SC	SCREW M4 L=12				1
16	40010526	THREAD_TRIMMER_SENSOR_BASE				1
17	SM4040855SP	SCREW				2
18	40006722	NEEDLE PLATE ASM.,A	FOR LK-1900AS			1
19	40006723	NEEDLE PLATE ASM.,H	FOR LK-1900AH,AW			1
20	40006724	NEEDLE PLATE ASM.,E	FOR LK-1900AF,AM			1
21	B2417280000	THREAD CUTTER LEVER SHAFT		*		1
22	B2426280000	NEEDLE HOLE GUIDE	FOR LK-1900AS	*		1
23	14109607	NEEDLE HOLE GUIDE	FOR LK-1900AH,AW	*		1
24	D2426282C00	NEEDLE HOLE GUIDE	FOR LK-1900AF,AM	*		1
25	SS1060210TP	SCREW 3/32-56 L=2.2		*		2
26	40006721	NEEDLE PLATE		*		1
27	B2424280000	FIXING KNIFE		*		1
28	SS7090410SP	SCREW 9/64-40 L= 3.5		*		2
29	B2418280000	MOVING KNIFE LINK		*		1
30	B2416280000	THREAD CUTTING LEVER RING		*		1
31	B24152800A0	THREAD CUTTER LEVER ASM.,SMALL		*		1
32	B24142800A0	THREAD CUTTER LEVER ASM.,LARGE		*		1
33	SS6110430TP	SCREW 11/64-40 L= 4.0		*		1
34	WP0450846SP	WASHER		*		1
35	SS7110740TP	SCREW 11/64-40 L=7		*		1
36	B242328000C	MOVING KNIFE WASHER C	SELECTIVE PARTS	*		1
37	B242328000A	MOVING KNIFE WASHER A	SELECTIVE PARTS	*		1
38	B242328000B	MOVING KNIFE WASHER B	SELECTIVE PARTS	*		1
39	B242328000D	MOVING KNIFE WASHER D	SELECTIVE PARTS	*		1
40	B242328000E	MOVING KNIFE WASHER E	SELECTIVE PARTS	*		1
41	B24212800A0	MOVING KNIFE ASM.		*		1
42	SD0500091TP	HINGE SCREW D= 5.0 H= 0.9		*		1
43	SM1040650TP	SCREW M4 L=6				4
44	26315606	NEEDLE CAM ROLLER A				1
45	26315705	NEEDLE CAM ROLLER B				1
46	26315804	NEEDLE CAM ROLLER C				1
47	26315903	NEEDLE CAM ROLLER D				1

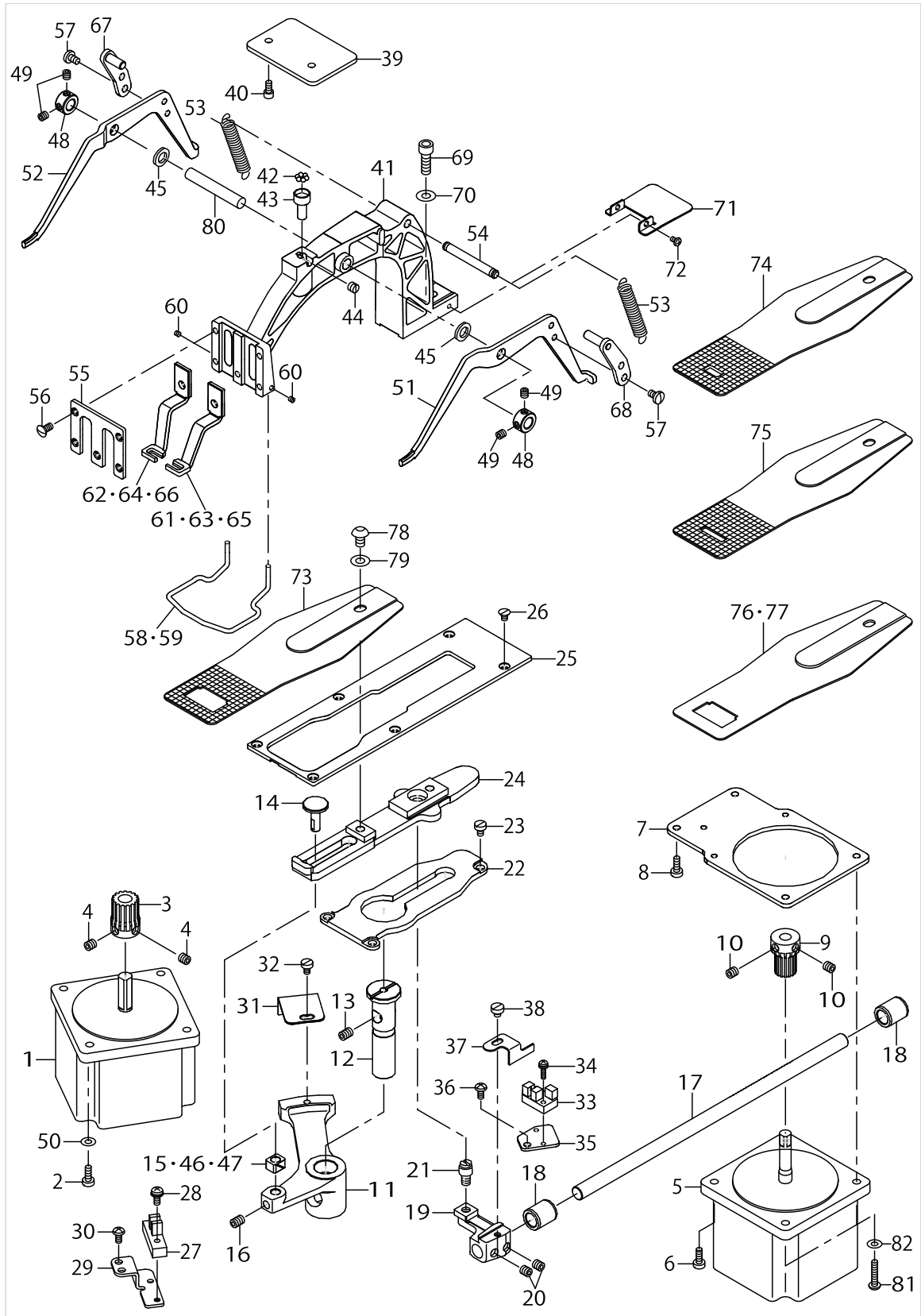
FEED MECHANISM COMPONENTS



FEED MECHANISM COMPONENTS

No.	Parts No.	Parts name	Remarks	Level	Cons	Qty
1	40029901	X FEED MOTOR				1
2	SM4041655SP	SCREW M4 L=16				4
3	26501403	X FEED GEAR				1
4	SM8060602TP	SCREW M6X6				2
5	40029902	Y FEED MOTOR				1
6	SM6041150TP	SCREW M4 L=11				2
7	40010536	Y_FEED_MOTOR_BASE				1
8	SM6041150TP	SCREW M4 L=11				2
9	26501502	Y FEED GEAR				1
10	SM8060602TP	SCREW M6X6				2
11	40006736	CLOTH FEED ARM				1
12	13516208	FEED DRIVING ARM SHAFT				1
13	SM8060812TP	SCREW M6 L=8				1
14	26223305	SLIDE BLOCK STUD				1
15	B1414232000	SQUARE BLOCK				1
16	SM8060812TP	SCREW M6 L=8				1
17	40006738	Y FEED SHAFT				1
18	B2509704000	BUSHING, REAR				2
19	26500009	Y FEED ARM				1
20	SS8660612TP	SCREW 1/4-40 L=6				2
21	13517404	HINGE STUD				1
22	40006740	CLOTH FEED SUPPORT PLATE				1
23	SM6040650TP	SCREW				3
24	40006737	CLOTH FEED PLATE				1
25	40006739	CLOTH FEED PRESSER PLATE				1
26	SM1040650TP	SCREW M4 L=6				4
27	HD002230000	PHOTO SENSOR				1
28	SL4041281SC	SCREW M4X0.7 L=12				1
29	14111702	SENSOR INSTALLING BASE				1
30	SM4040855SP	SCREW				2
31	14111504	CROSSFEED SENSOR SLIT				1
32	SM6040650TP	SCREW M4 L=6				1
33	HD00057000A	PHOTO SENSOR				1
34	SL4031291SC	SCREW M3X12				1
35	14111801	SENSOR INSTALLING BASE				1
36	SM4040855SP	SCREW				1
37	14136402	LENGTHWISE FEED SENSOR SLIT				1
38	SS6110480SP	SCREW 11/64-40 L=4.3				1
39	40039255	SUPPORT PLATE				1
40	SM6040802TP	SCREW M4X0.7 L=8				2
41	40039013	FEED BRACKET B				1
42	B2549280000	WORK CLAMP FOOT MOUNTING BASE				7
43	B2548280000	BALL RETAINER				1
44	SS8150510TP	SCREW 15/64-28 L= 4.7				1
45	40083885	WASHER				2
46	B141423200A	CRANK SLIDE BLOCK	SELECTIVE PARTS			1
47	B141423200B	GUIDE ROLLER	SELECTIVE PARTS			1

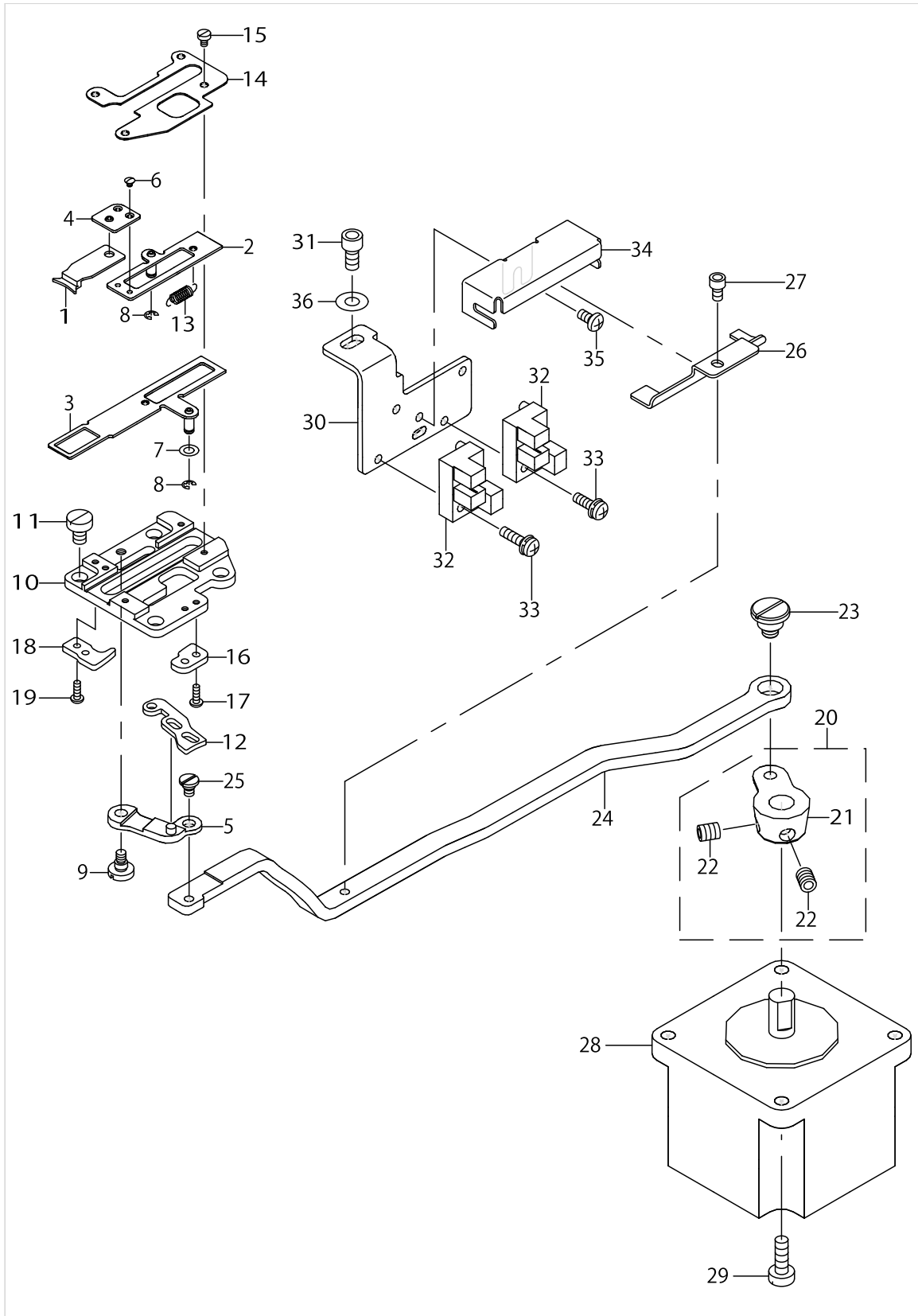
FEED MECHANISM COMPONENTS



FEED MECHANISM COMPONENTS

No.	Parts No.	Parts name	Remarks	Level	Cons	Qty
48	40083884	THRUST COLLAR D=8 W=8				2
49	SM8050512TP	SCREW M5 L=5				4
50	WP0450801SP	WASHER				4
51	26204008	LIFTING LEVER RIGHT				1
52	26204107	LIFTING LEVER LEFT				1
53	14105407	CLOTH PRESSER SPRING				2
54	13518501	SPRING SUSPENSION				1
55	13518808	WORK CLAMP FOOT FACE PLATE				1
56	SS2110930SP	SCREW 11/64-40 L=8.7				5
57	SS7110740TP	SCREW 11/64-40 L=7				4
58	13533104	FINGER GUARD	EXCEPT LK-1900AH,AW			1
59	13548300	FINGER GUARD	FOR LK-1900AH,AW			1
60	SS8080310TP	SCREW 1/8-44 L=2.8				2
61	13518600	WORK CLAMP FOOT, RIGHT	FOR LK-1900AS,AF			1
62	13518709	WORK CLAMP FOOT, LEFT	FOR LK-1900AS,AF			1
63	13548102	WORK CLAMP FOOT, RIGHT	FOR LK-1900AH,AW			1
64	13548201	WORK CLAMP FOOT LEFT	FOR LK-1900AH,AW			1
65	13542915	WORK CLAMP FOOT, RIGHT	FOR LK-1900AM			1
66	13543012	WORK CLAMP FOOT, LEFT	FOR LK-1900AM			1
67	40006745	LEVER DRIVING PLATE L ASM.				1
68	40006747	LEVER DRIVING PLATE R ASM.				1
69	SM6061802TP	SCREW M6 L=18				1
70	WP0621016SD	WASHER 6.2X13X1				1
71	40010570	HIDDEN_PLATE				1
72	SM5030501SC	SCREW M3 L=5				2
73	14116107	FEED PLATE A	FOR LK-1900AS			1
74	14116206	FEED PLATE B	FOR LK-1900AM			1
75	13554803	FEED PLATE	FOR LK-1900AH,AW			1
76	14116800	FEED PLATE H	FOR LK-1900AF(EXCEPT JE)			1
77	14116404	FEED PLATE D	FOR LK-1900AF,JE			1
78	SM3061052TP	SCREW M6 L=10				1
79	WP0621016SD	WASHER 6.2X13X1				1
80	40083883	LIFTING LEVER SHAFT B				1
81	SM4042055SP	SCREW M4 L=20				2
82	WP0450801SP	WASHER				2

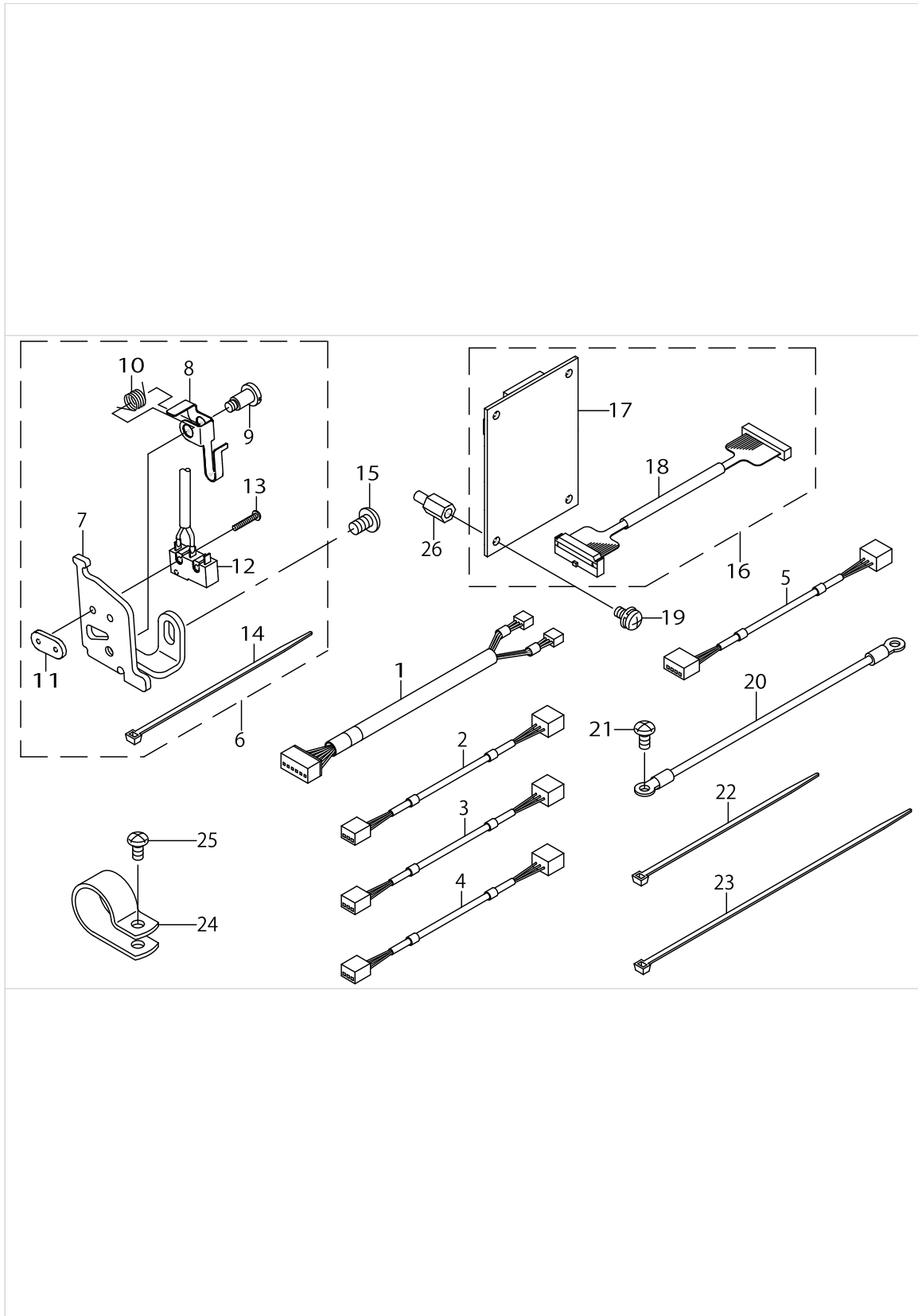
TC CLAMP COMPONENTS



TC CLAMP COMPONENTS

No.	Parts No.	Parts name	Remarks	Level	Cons	Qty
1	40006761	TC CLAMP				1
2	40006762	TC CLAMP PLATE ASM.				1
3	40006765	TC SUPPERT PLATE ASM.				1
4	40006768	TC JOINT ASM.				1
5	40015800	TC-LINK_ASM				1
6	SM2360110TP	SCREW M1.6X0.2 L=1.35				2
7	WP0320500SC	WASHER M3				1
8	RE0200000K0	E-RING				2
9	SD0400266TP	HINGE SCREW D=4 H=2.6				1
10	40010589	TC BASE				1
11	SM6040650TP	SCREW M4 L=6				4
12	40006772	TC CAM PLATE				1
13	40006780	TC SPRING				1
14	40006781	TC BASE COVER				1
15	SM6020350SP	SCREW M2 L=2.5				4
16	40006782	TC NOTCH R				1
17	SM4020600SP	SCREW M2 L=6				2
18	40006777	TC NOTCH F				1
19	SM6020450TP	SCREW				2
20	40010527	TC_DRIVING_ARM_ASM.				1
21	40010528	TC_DRIVING_ARM		*		1
22	40011152	TC_ARM_SCREW		*		2
23	SD0800406TP	SHOULDER SCREW D8 H4				1
24	40006776	TC CONNECTING LINK				1
25	SD0350156TP	SHOULDER SCREW				1
26	40010530	SENSOR_SLIT				1
27	SM6030502TP	BOLT M3X5				1
28	40006864	THREAD CLAMP MOTOR				1
29	SM6041200SP	SCREW M4 L=12				4
30	40010531	SENSOR_INSTALLING_BASE				1
31	SM6040802TP	SCREW M4X0.7 L=8				1
32	HD00057000A	PHOTO SENSOR				2
33	SL4031091SC	SCREW M3 X 10				2
34	40010532	DUST_GUARD				1
35	SM4030601SN	SCREW M3 X 6				1
36	WP0450801SP	WASHER				1

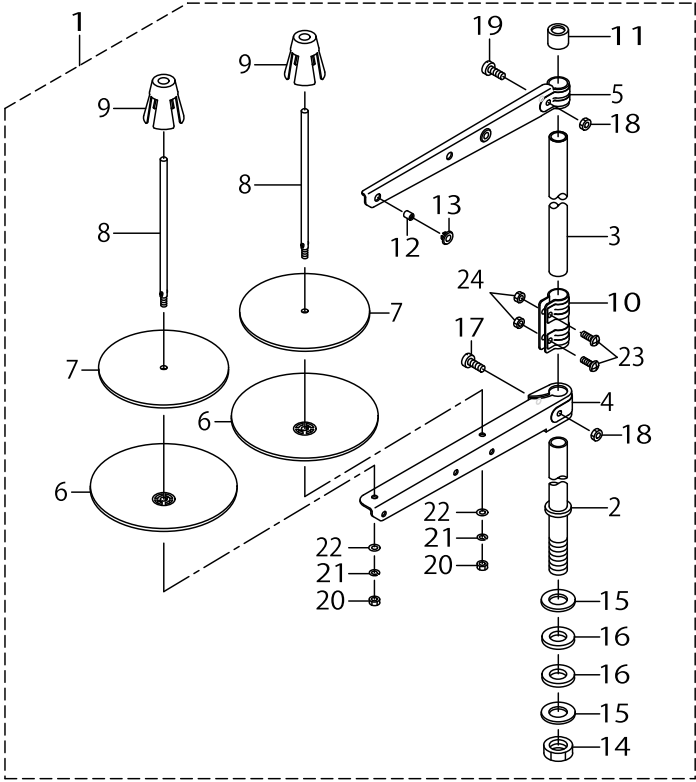
SENSOR COMPONENTS



SENSOR COMPONENTS

No.	Parts No.	Parts name	Remarks	Level	Cons	Qty
1	40005729	TH SENSOR CABLE ASM.				1
2	40005731	Y SENSOR CABLE ASM.				1
3	40005732	PF SENSOR CABLE ASM.				1
4	40005730	X SENSOR CABLE ASM.				1
5	40005733	TT SENSOR CABLE ASM.				1
6	40006495	SAFETY SW ASM.				1
7	40006496	SAFETY SW BASE		*		1
8	23638109	SAFETY SWITCH ARM.		*		1
9	40006497	SAFETY SW ARM SHAFT		*		1
10	23638208	SAFETY SWITCH SPRING		*		1
11	23638406	SAFETY SWITCH NUT		*		1
12	40005734	SAFETY SW CABLE ASM.		*		1
13	SM4021201SC	SCREW M2 L=12		*		2
14	EA9500B0100	CABLE BAND		*		1
15	SM4050855SP	SCREW				1
16	40005664	INT PCB ASM.				1
17	40005660	INT PCB		*		1
18	40005725	INT CABLE ASM.		*		1
19	SL4040881SF	SCREW M4 L=8				4
20	14115554	HEAD GROUND CABLE A ASM.				1
21	SM4040855SP	SCREW				1
22	EA9500B0100	CABLE BAND				6
23	EA9500B0200	CABLE BAND 150				3
24	HX00150000K	CABLE CLIP				1
25	SM4040855SP	SCREW				1
26	HX003390000	STUD				4

THREAD STAND COMPONENTS



THREAD STAND COMPONENTS

No.	Parts No.	Parts name	Remarks	Level	Cons	Qty
1	40096354	THREAD STAND ASM.				2
2	40085784	SPOOL REST ROD LOWER		*		2
3	40085785	SPOOL REST ROD UPPER		*		2
4	40085786	SPOOL REST ARM LOWER		*		2
5	40085787	SPOOL REST ARM UPPER		*		2
6	40085788	SPOOL REST		*		4
7	40085789	SPOOL REST CUSHION		*		4
8	40085790	SPOOL PIN		*		4
9	40085791	SPOOL RETAINER		*		4
10	40085792	SPOOL REST ROD JOINT		*		2
11	40085793	SPOOL REST ROD RUBBER CAP		*		2
12	40085794	THREAD GUIDE		*		4
13	40085795	THREAD GUIDE BUSHING		*		4
14	40096325	SPOOL REST ROD NUT		*		2
15	WP1612616SE	WASHER 16X30X2.6		*		4
16	40085796	SPOOL REST ROD RUBBER CUSHION		*		4
17	40096326	SPOOL REST ARM LOWER SCREW		*		2
18	NM6050001SE	NUT M5		*		4
19	40096327	SPOOL REST ARM UPPER SCREW		*		2
20	NM6050001SE	NUT M5		*		4
21	WS0510002KN	SPRING WASHER M5		*		4
22	WP0531001SC	WASHER M5		*		4
23	SM4051405SE	SCREW M5 L=14		*		4
24	NM6050001SE	NUT M5		*		4

TABLE STAND COMPONENTS (JT-K44)

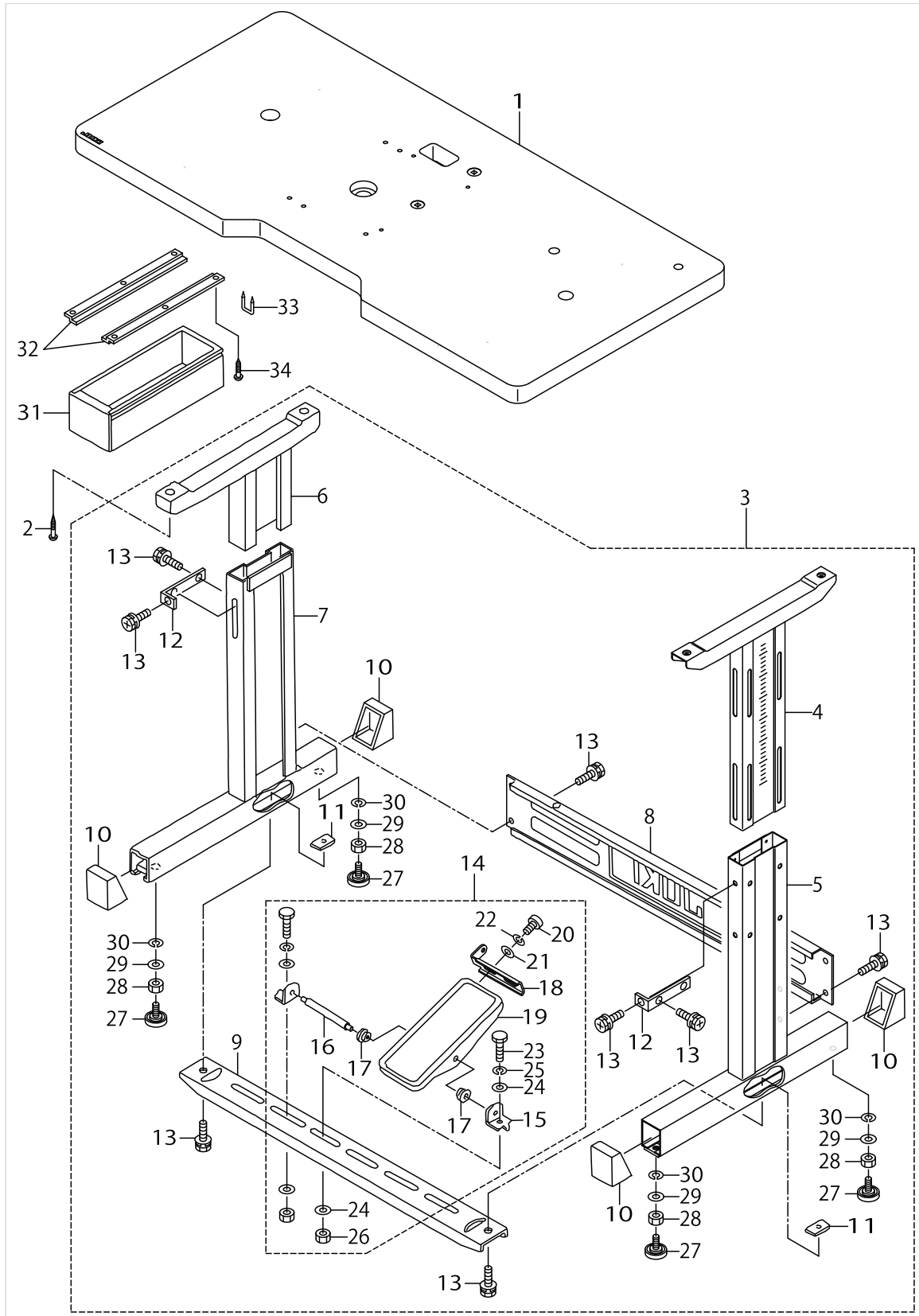
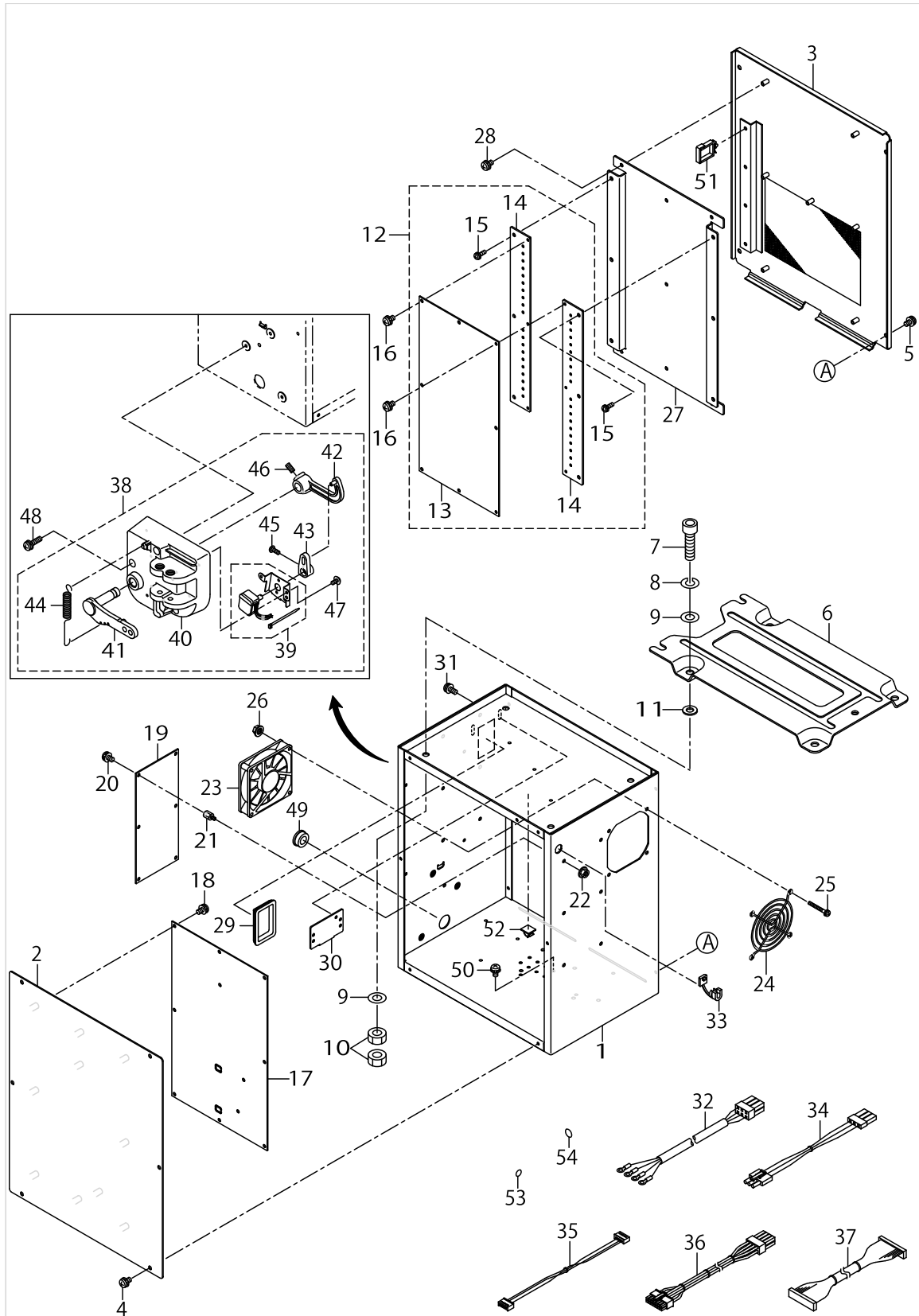


TABLE STAND COMPONENTS (JT-K44)

No.	Parts No.	Parts name	Remarks	Level	Cons	Qty
1	40006886	TABLE				1
2	SK3513201SE	WOOD SCREW D=5.1 L=32				4
3	14118053	T-STAND COMPL.				1
4	14118152	UPPER STAND ASM.,RIGHT		*		1
5	14118251	STAND ASM.,RIGHT		*		1
6	B8101210AAB	UPPER STAND ASM.		*		1
7	B8105210AAA	STAND ASM.		*		1
8	11158300	STAND SIDE SUPPORT		*		1
9	11158409	STAND SIDE SUPPORT		*		1
10	11158607	RUBBER CAP		*		4
11	17007402	NUT		*		2
12	11158516	UPPER STAND PLATE		*		2
13	SL9082091SE	WASHER HEXAGONAL BOLT		*		12
14	13817754	Z-STAND PEDAL ASM.		*		1
15	11159001	PEDAL SHAFT BRACKET		*		2
16	B8153771000	PEDAL CONNECTING ROD		*		1
17	D8113555B00	PEDAL BUSHING		*		2
18	GPF06080000	PEDAL ADJUSTING PLATE		*		1
19	GPF060600A0	PEDAL ASM.		*		1
20	SM9061203SE	SCREW M6 L=12		*		2
21	WP0671016SE	WASHER 6.7X13X1		*		2
22	WS0621210KR	SPRING WASHER 6.2X11.4X1.2		*		2
23	SM9082023SE	SCREW M8 L=20		*		2
24	WP0871602SE	WASHER 8.7X18X1.6		*		4
25	WS0861410KR	SPRING WASHER 8.6X15X1.4		*		2
26	NM6080721SE	NUT M8		*		2
27	B81085550A0	ADJUSTING SCREW ASM. WITH CAP		*		4
28	NM6120001SE	NUT M12		*		4
29	WP1302501SE	WASHER M12		*		4
30	WS1253010KN	SPRING WASHER 12.5X21.5X3		*		4
31	11155108	DRAWER				1
32	11155207	DRAWER SUPPORT				2
33	D8204555D00	DRAWER STOPPER				1
34	SK3311601SE	WOOD SCREW D=3.1 L=16				6

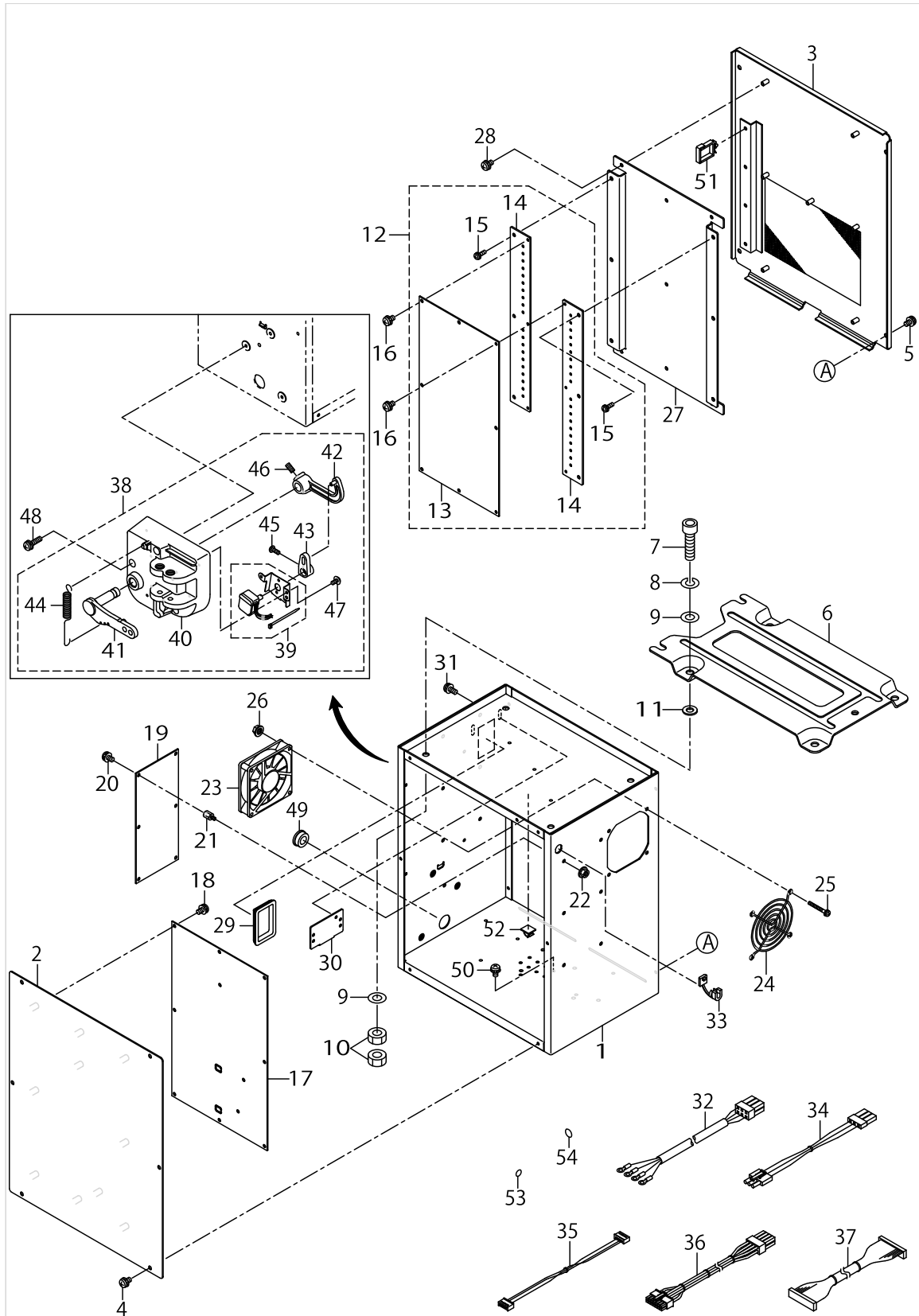
CONTROL BOX COMPONENTS



CONTROL BOX COMPONENTS

No.	Parts No.	Parts name	Remarks	Level	Cons	Qty
1	40055355	CONTROL BOX				1
2	40055356	CONTROL BOX FRONT COVER				1
3	40055357	CONTROL BOX REAR COVER				1
4	SL4040891SC	SCREW M4 L=8				6
5	SL4040891SC	SCREW M4 L=8				4
6	M3801476000	TRANSMISSION BOX FITTING PLATE				1
7	SM6083002TN	SCREW M8 L=30				4
8	WS0820002KR	SPRING WASHER, M8				4
9	WP0841601SC	WASHER 8.4X17.4X1.6				8
10	NM6080001SC	NUT M8X1.25				8
11	M4206461000	WASHER				4
12	40005648	MAIN PCB ASS'Y				1
13	40005641	MAIN PCB		*		1
14	40005705	MAIN PCB HEAT SINK		*		2
15	SL4031081SF	SCREW M3 L=10		*		6
16	SL4040881SC	SCREW M4 L=8				6
17	40000029	SDC PCB A ASS'Y				1
18	SL4040881SC	SCREW M4 L=8				10
19	40000056	FLT-T PCB A ASS'Y				1
20	SL4040881SC	SCREW M4 L=8				6
21	HX003390000	STUD				6
22	NM3040520SC	NUT M4				6
23	40005401	FAN MOTOR ASS'Y				1
24	KM000000480	FAN MOTOR				1
25	SL4043591SC	SCREW				4
26	NM3040520SC	NUT M4				4
27	40005706	MAIN PCB HOLDER PLATE				1
28	SL4040881SC	SCREW M4 L=8				5
29	HX004070000	BUSH				1
30	17845009	CORD FITTING PLATE				1
31	SL4041091SC	SCREW M4 L=10				2
32	40005391	POWER CORD 3P ASS'Y				1
33	HX00410000A	STRAIN RELIEF BUSHING				1
34	40005393	FLT-SDC CORD P ASS'Y				1
35	40005394	FLT-SDC CORD S ASS'Y				1
36	40005726	SDC-MAIN CORD P ASS'Y				1
37	40005727	SDC-MAIN CORD S ASS'Y				1
38	40003484	PEDAL SENSOR ASM.				1
39	40003485	SENSOR FITTING PLATE A ASM.		*		1
40	M4001461000	PEDAL SENSOR BASE		*		1
41	M4002461000	PEDAL LEVER		*		1
42	M4004461000	PEDAL RING		*		1
43	M4005461000	VOLUME LINK		*		1
44	M4007351000	FRONT SPRING		*		1
45	SM4030801SF	SCREW M3X0.5 L=8		*		1
46	SM8040802TP	SCREW M4X8		*		2
47	SV4030601SR	SCREW M3 L=6		*		2

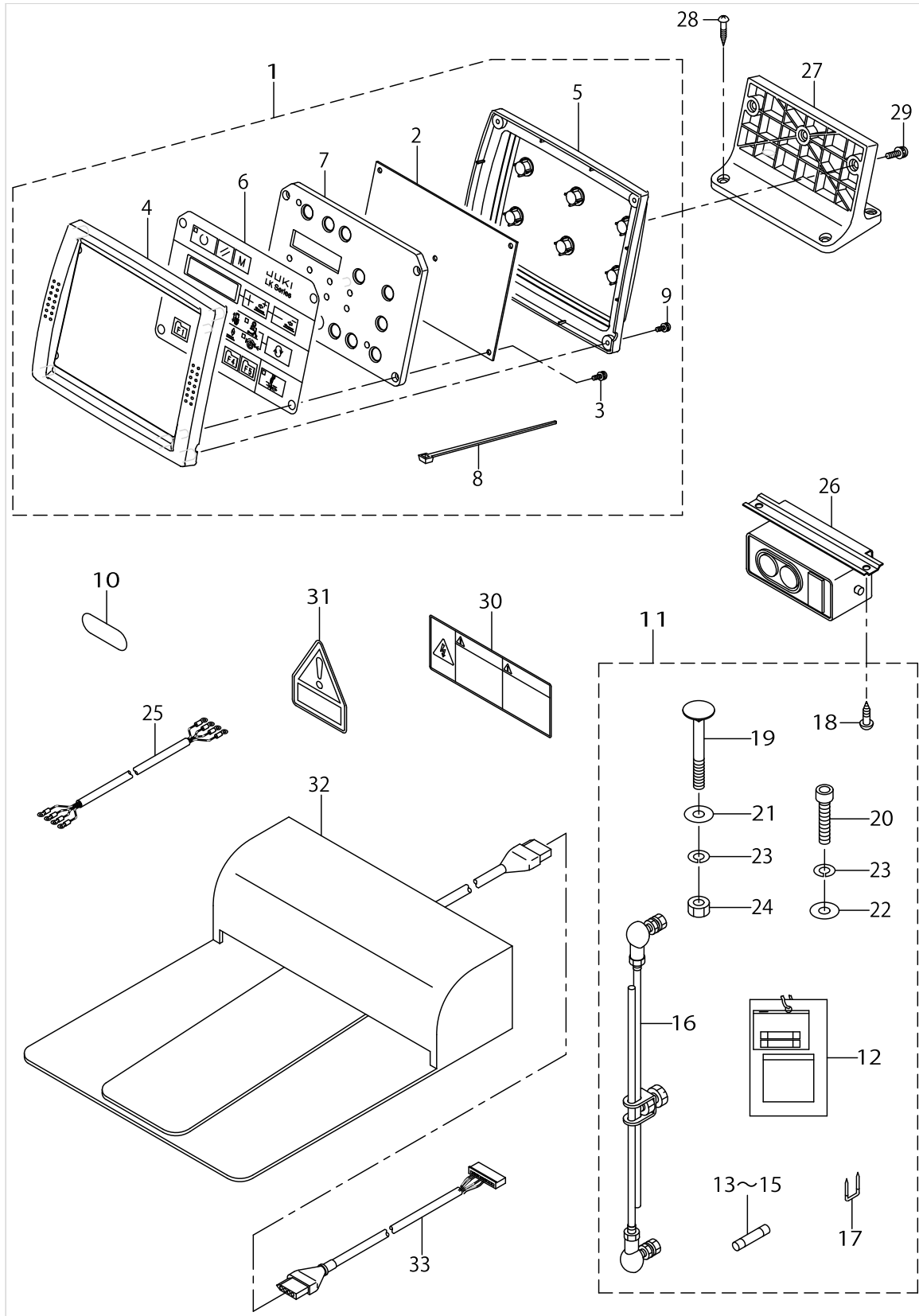
CONTROL BOX COMPONENTS



CONTROL BOX COMPONENTS

No.	Parts No.	Parts name	Remarks	Level	Cons	Qty
48	SL4041681SF	SCREW M4 L=16				3
49	HX00188000D	BUSH				1
50	SL4040891SC	SCREW M4 L=8				2
51	HX005110000	WIRE SADDLE				3
52	E9607603000	STICKER (SMALL)				1
53	E9567319000	EARTH MARK				1
54	40003458	MASK SEAL				10

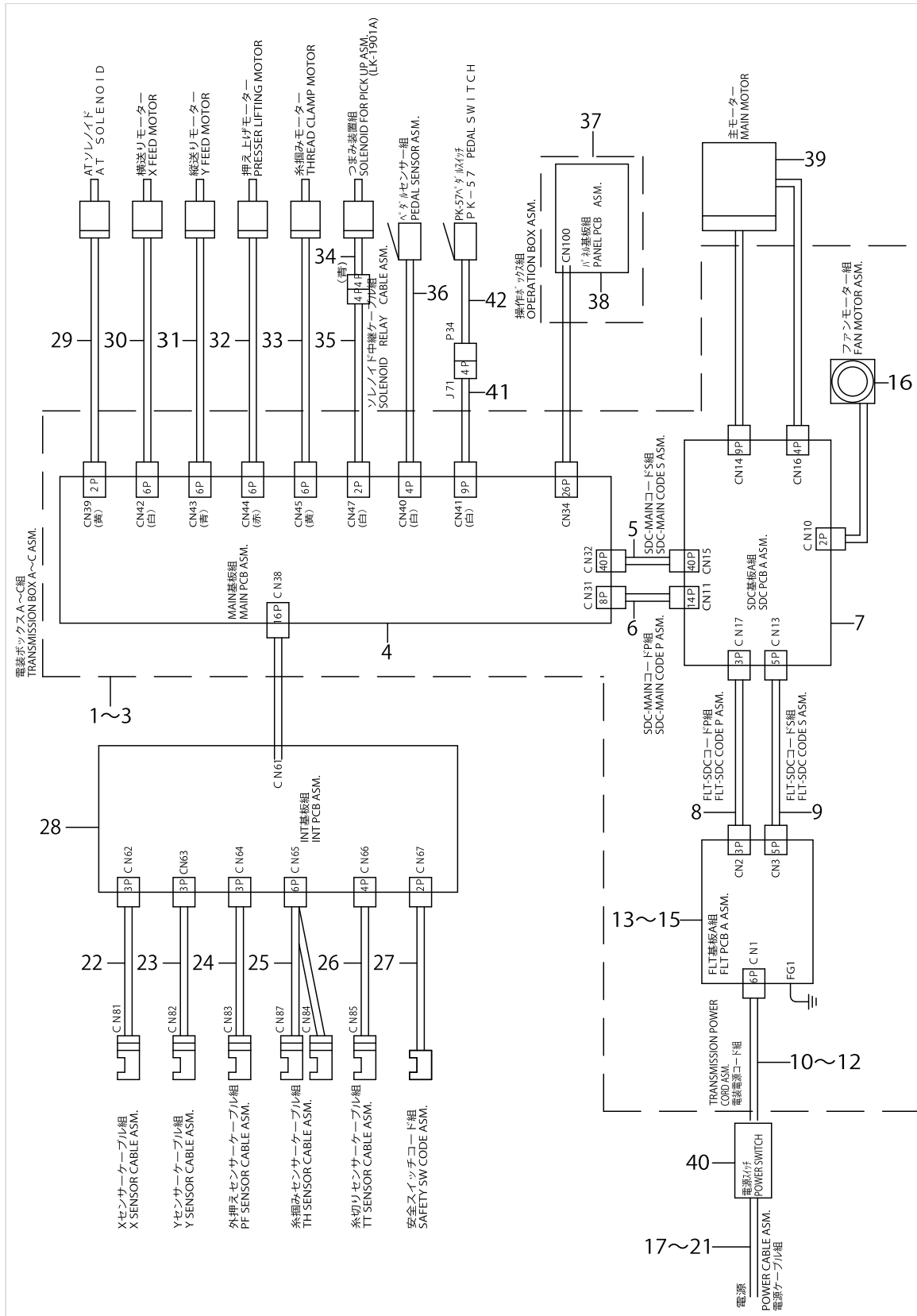
OPERATION PANEL COMPONENTS



OPERATION PANEL COMPONENTS

No.	Parts No.	Parts name	Remarks	Level	Cons	Qty
1	40005695	OPERATION BOX A ASM.				1
2	40005677	PANEL PCB ASS'Y		*		1
3	SL4031081SC	SCREW M3 X 10		*		4
4	40005692	OPERATION BOX FRONT CASE		*		1
5	40005693	OPERATION BOX REAR CASE		*		1
6	40005691	OPERATION PANEL SHEET		*		1
7	40005694	PANEL PCB HOLDER PLATE		*		1
8	EA9500B0100	CABLE BAND		*		1
9	SL4031081SC	SCREW M3 X 10		*		4
10	BME03200000	VOLTAGE INDICATION SEAL				1
11	40005385	ACCESSORIE PARTS A ASM.				1
12	M300451100A	VOLTAGE INDICATION CARD,A		*		1
13	HF00130315S	FUSE 3.15A 250V REF. NO.112		*		1
14	HF003000200	FUSE 2A (220/240V)		*		1
15	HF0013050P0	FUSE 5A		*		1
16	22958458	CONNECTING ROD ASM. B		*		1
17	MAO11532000	CORD STAPLE		*		3
18	SK3512001SE	WOOD SCREW D=5.1 L=20		*		2
19	MTSHJ100003	BOLT		*		2
20	SM6084002TN	SCREW M8 L=40		*		1
21	WP0852086SC	WASHER M8		*		2
22	WP0841601SC	WASHER 8.4X17.4X1.6		*		1
23	WS0820002KR	SPRING WASHER, M8		*		3
24	NM6080002SC	NUT M8		*		2
25	M90175800A0	POWER CABLE ASM.				1
26	HA004250000	SWITCH				1
27	40005697	OPERATION BOX FITTING PLATE				1
28	SK3382001SE	SCREW D=3.8 L=20				4
29	SL4041691SC	SCREW M4 L=16				3
30	CM300100401	LABEL 3 (LARGE)				1
31	CM300400601	VOLTAGE CAUTION LABEL				1
32	GPK570010B0	PEDAL SWITCH ASM.	OPTIONAL PARTS			1
33	M90135900A0	PK57 TRANSFER CABLE ASM.	OPTIONAL PARTS			1

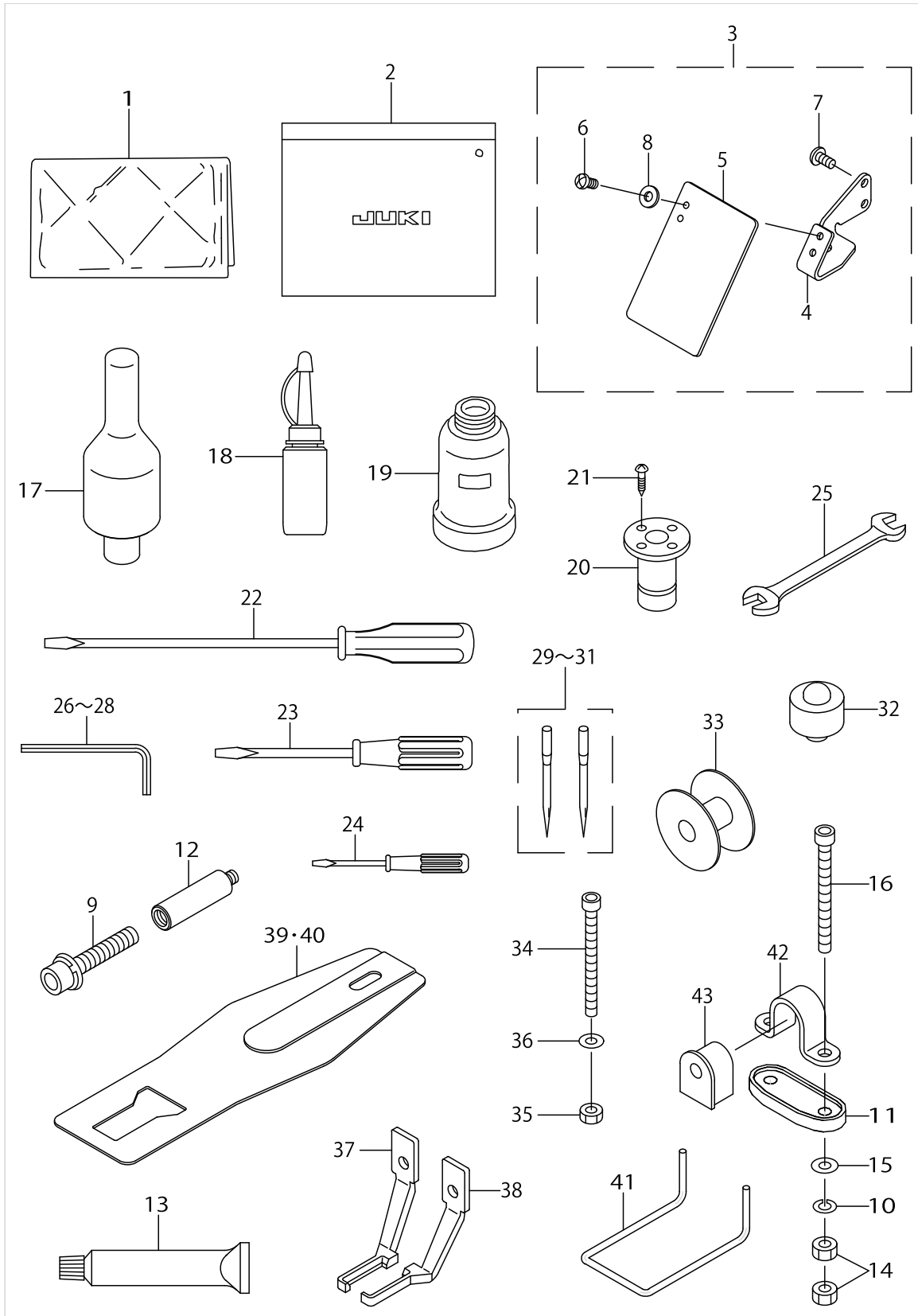
WIRING DIAGRAM



WIRING DIAGRAM

No.	Parts No.	Parts name	Remarks	Level	Cons	Qty
1	40005700	CONTROL BOX A ASM.	FOR EXPORT/USE IN JAPAN (3-PHASE)			1
2	40005701	CONTROL BOX B ASM.	FOR JE(1-PHASE)			1
3	40005702	CONTROL BOX C ASM.	FOR GENERAL EXPORT(1-PHASE)			1
4	40005648	MAIN PCB ASS'Y		*		1
5	40005727	SDC-MAIN CORD S ASS'Y		*		1
6	40005726	SDC-MAIN CORD P ASS'Y		*		1
7	40000029	SDC PCB A ASS'Y		*		1
8	40005393	FLT-SDC CORD P ASS'Y		*		1
9	40005394	FLT-SDC CORD S ASS'Y		*		1
10	40005391	POWER CORD 3P ASS'Y	FOR EXPORT/USE IN JAPAN (3-PHASE)	*		1
11	40005392	POWER CORD 1P ASS'Y	FOR JE(1-PHASE)	*		1
12	40005388	POWER CORD 1P220V ASS'Y	FOR GENERAL EXPORT(1-PHASE)	*		1
13	40000056	FLT-T PCB A ASS'Y	FOR EXPORT/USE IN JAPAN (3-PHASE)	*		1
14	40000046	FLT-S PCB A ASS'Y	FOR JE(1-PHASE)	*		1
15	40000046	FLT-S PCB A ASS'Y	FOR GENERAL EXPORT(1-PHASE)	*		1
16	40005401	FAN MOTOR ASS'Y		*		1
17	M90175800A0	POWER CABLE ASM.	FOR EXPORT/USE IN JAPAN (3-PHASE)			1
18	M90355800A0	POWER SOURCE CORD ASM.	FOR 100V			1
19	M90345800A0	GROUND CORD ASM.	FOR USE IN JAPAN 100V(1-PHASE)			1
20	40005390	POWER CABLE JE ASS'Y	FOR CE(1-PHASE)			1
21	M90245800A0	POWER CABLE ASM.,100V	FOR GENERAL EXPORT(1-PHASE)			1
22	40005730	X SENSOR CABLE ASM.				1
23	40005731	Y SENSOR CABLE ASM.				1
24	40005732	PF SENSOR CABLE ASM.				1
25	40005729	TH SENSOR CABLE ASM.				1
26	40005733	TT SENSOR CABLE ASM.				1
27	40005734	SAFETY SW CABLE ASM.				1
28	40005664	INT PCB ASM.				1
29	40006628	AT SOLENOID				1
30	40029901	X FEED MOTOR				1
31	40029902	Y FEED MOTOR				1
32	40029903	PRESSER LIFTING MOTOR				1
33	40006864	THREAD CLAMP MOTOR				1
34	40006912	SOLENOID FOR PICK UP ASM.	FOR LK-1901A			1
35	40005728	SOLENOID RELAY CABLE ASM.	FOR LK-1901A			1
36	40003484	PEDAL SENSOR ASM.				1
37	40005695	OPERATION BOX A ASM.				1
38	40005677	PANEL PCB ASS'Y		*		1
39	40028015	AC SERVO MOTOR				1
40	HA004250000	SWITCH	EXCEPT CE(1-PHASE)			1
41	M90135900A0	PK57 TRANSFER CABLE ASM.	OPTIONAL PARTS			1
42	GPK570010B0	PEDAL SWITCH ASM.	OPTIONAL PARTS			1

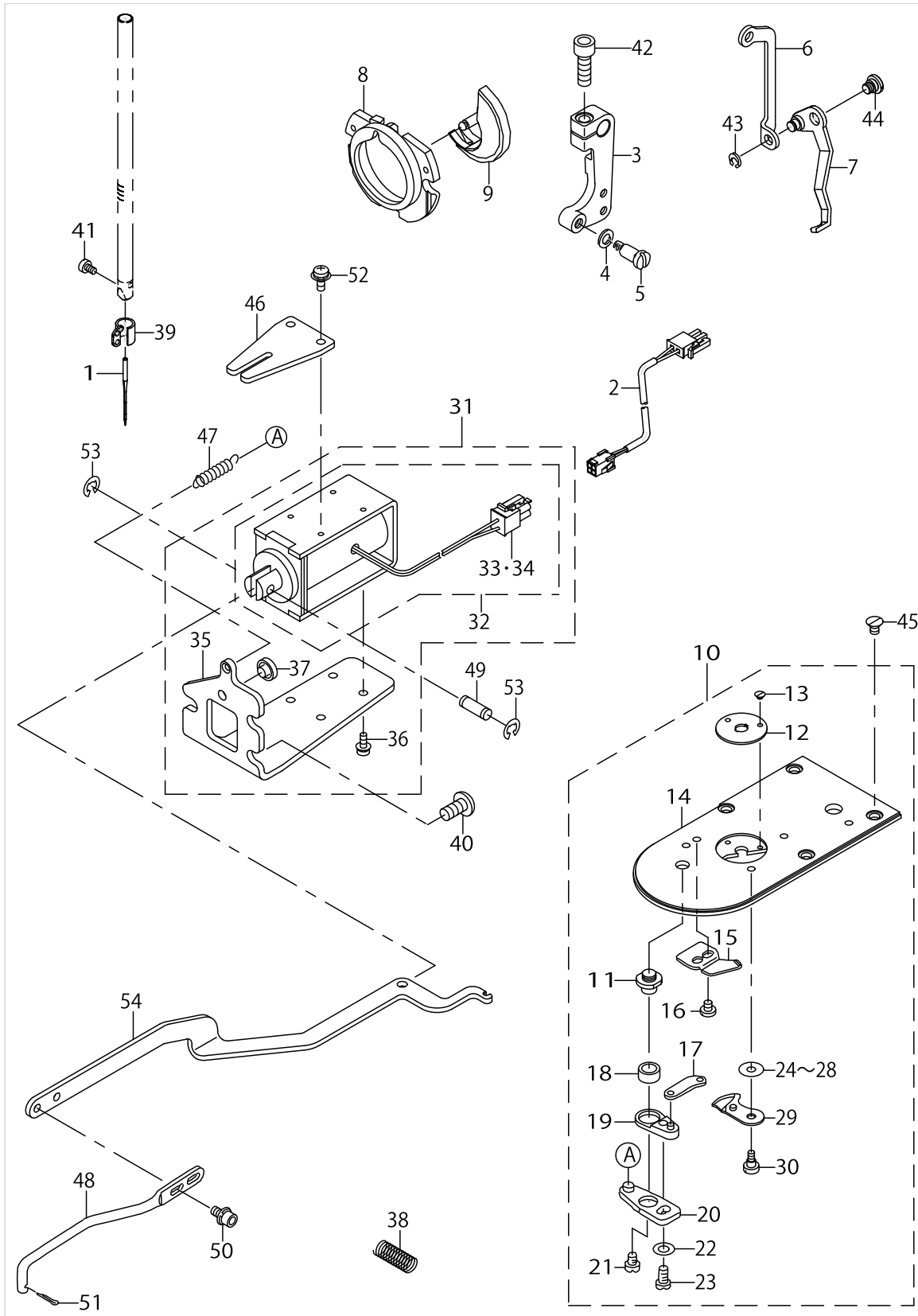
ACCESSORIE PART COMPONENTS



ACCESSORIE PART COMPONENTS

No.	Parts No.	Parts name	Remarks	Level	Cons	Qty
1	40048536	HEAD_COVER				1
2	22932800	ACCESSORIE BAG				1
3	40006484	SAFETY PLATE ASM				1
4	40051987	SAFETY PLATE BASE		*		1
5	26037200	SAFETY PLATE		*		1
6	SM4040655SP	SCREW M4 L=6		*		2
7	SM4040855SP	SCREW		*		1
8	WP0450801SD	WASHER 4.5X10X0.8		*		2
9	SL6084092TN	BOLT				1
10	WS0610002KN	SPRING WASHER 6.1X12.2X1.5				4
11	40016195	BED_HINGE_RUBBER				2
12	40036110	GREASE JOINT B				1
13	40013640	JUKI_GREASE_B_TUBE				1
14	NM6060001SC	NUT M6				8
15	WP0651646SC	WASHER				4
16	SM6066002TN	BOLT M6 L=60				4
17	14101208	HEAD SUPPORT BAR				1
18	B91212200A0	OILER (CONTAINING NO.2 OIL)				1
19	B9121012000	OIL CAN				1
20	B8202205000	OIL MANAGEMENT				1
21	SK3311601SE	WOOD SCREW D=3.1 L=16				4
22	22933006	SCREW DRIVER,LARGE				1
23	22933105	SCREW DRIVER,MIDDLE				1
24	22933204	SCREW DRIVER,SMALL				1
25	B9113012000	WRENCH (9X10)				1
26	B9140372000	HEXAGONAL WRENCH, SMALL				1
27	B9141372000	HEXAGONAL WRENCH, LARGE				1
28	GCT02906000	HEXAGONAL SPANNER				1
29	MDP500B1402	NEEDLE DPX5#14-2	FOR LK-1900AS			1
30	MDP170B2102	NEEDLE DPX17#21-2	FOR LK-1900AH,AW			1
31	MDP500B1102	DPX5#11-2	FOR LK-1900AF,AM			1
32	40016194	FRAME_SUPPORT_RUBBER				2
33	13812102	BOBBIN				1
34	SM6066002TN	BOLT M6 L=60				1
35	NM6060001SC	NUT M6				1
36	WP0651646SC	WASHER				1
37	13571906	CLOTH PRESSER FOOT (RIGHT)	FOR LK-1900AF			1
38	13572003	CLOTH PRESSER FOOT (LEFT)	FOR LK-1900AF			1
39	14116503	FEED PLATE E	FOR LK-1900AF,JE			1
40	14116909	FEED PLATE I	FOR LK-1900AF(EXCEPT JE)			1
41	13573407	FINGER GUARD	FOR LK-1900AF			1
42	B1111210D00	BED HINGE				2
43	B1115210D00	HINGE RUBBER				2

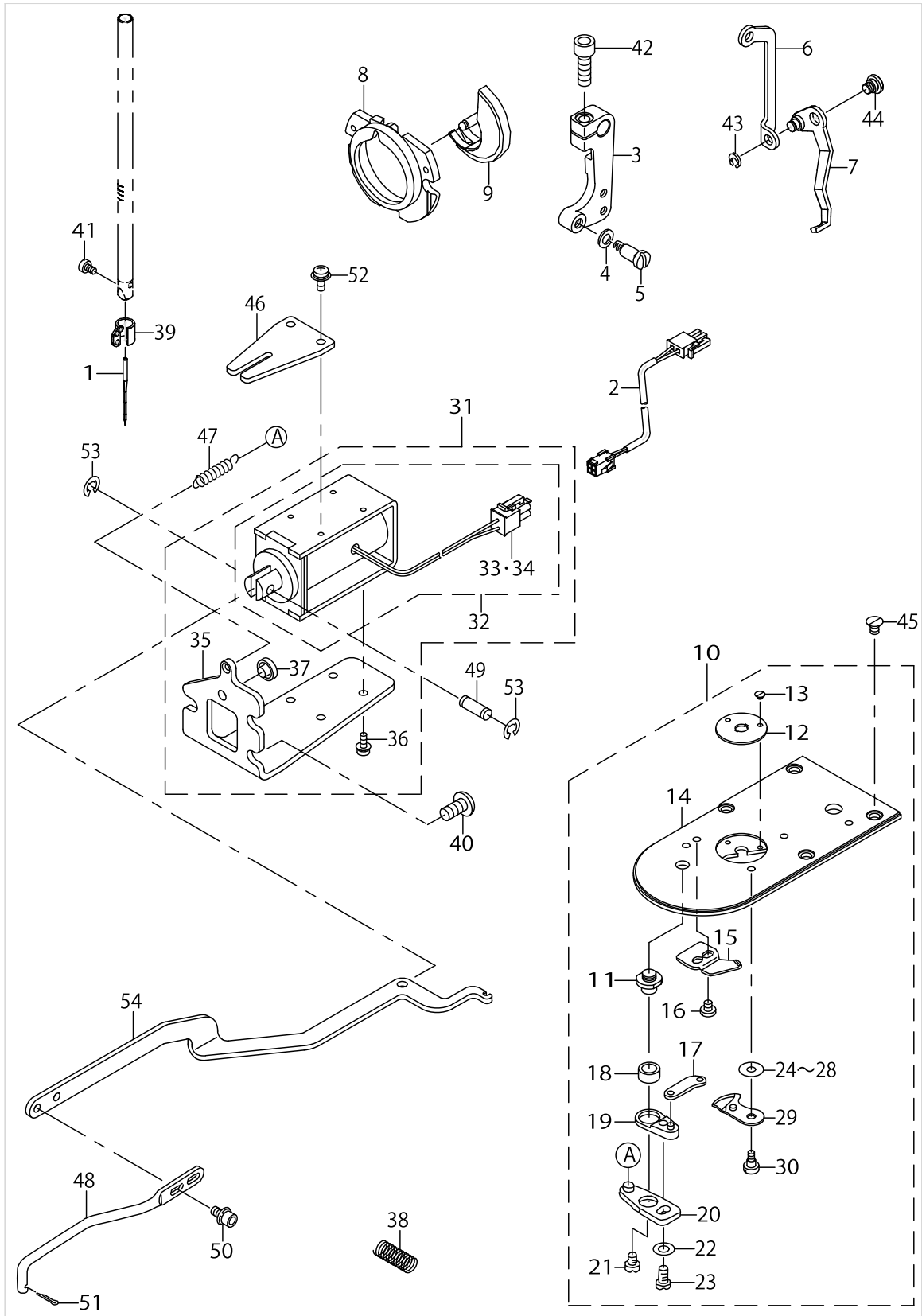
EXCLUSIVE PARTS FOR LK-1901AS (1)



EXCLUSIVE PARTS FOR LK-1901AS (1)

No.	Parts No.	Parts name	Remarks	Level	Cons	Qty
1	MDP500B1400	NEEDLE DPX5 #14				1
2	40005728	SOLENOID RELAY CABLE ASM.				1
3	40011949	CONNECTING ARM B				1
4	WP0651056SH	WASHER 6.5X11X1				1
5	SD1201506TP	SHOULDER SCREW				1
6	40010458	WIPER_CONNECTING_PLATE				1
7	B21012800A0	WIPER ASM.				1
8	14103352	INNER HOOK PRESSER ASM., B				1
9	40006580	SHUTTLE				1
10	40006722	NEEDLE PLATE ASM.,A				1
11	B2417280000	THREAD CUTTER LEVER SHAFT		*		1
12	B2426280000	NEEDLE HOLE GUIDE		*		1
13	SS1060210TP	SCREW 3/32-56 L=2.2		*		2
14	40006721	NEEDLE PLATE		*		1
15	B2424280000	FIXING KNIFE		*		1
16	SS7090410SP	SCREW 9/64-40 L= 3.5		*		1
17	B2418280000	MOVING KNIFE LINK		*		1
18	B2416280000	THREAD CUTTING LEVER RING		*		1
19	B24152800A0	THREAD CUTTER LEVER ASM., SMALL		*		1
20	B24142800A0	THREAD CUTTER LEVER ASM., LARGE		*		1
21	SS6110430TP	SCREW 11/64-40 L= 4.0		*		1
22	WP0450846SP	WASHER		*		1
23	SS7110740TP	SCREW 11/64-40 L=7		*		1
24	B242328000C	MOVING KNIFE WASHER C	SELECTIVE PARTS	*		1
25	B242328000A	MOVING KNIFE WASHER A	SELECTIVE PARTS	*		1
26	B242328000B	MOVING KNIFE WASHER B	SELECTIVE PARTS	*		1
27	B242328000D	MOVING KNIFE WASHER D	SELECTIVE PARTS	*		1
28	B242328000E	MOVING KNIFE WASHER E	SELECTIVE PARTS	*		1
29	B24212800A0	MOVING KNIFE ASM.		*		1
30	SD0500091TP	HINGE SCREW D= 5.0 H= 0.9		*		1
31	40006912	SOLENOID FOR PICK UP ASM.				1
32	14141758	SOLENOID FOR PICK-UP COMPL.		*		1
33	HK03461004A	HOUSING,BLUE 4P		*		1
34	HK034640000	PIN CONTACT		*		2
35	40006913	SOLENOID INSTALLING BASE		*		1
36	SL4030881SC	SCREW M3X8		*		4
37	12258000	BUSH		*		1
38	14148407	VERTICAL FEED SHAFT SPRING				2
39	40006525	NEEDLE BAR THREAD GUIDE				1
40	SM4061255SP	SCREW M6 L=12				3
41	SM6030500SN	SCREW M3 L=5				1
42	SM6061802TP	SCREW M6 L=18				1
43	B1229232000	SNAP RING				1
44	SD0640216TP	SHOULDER SCREW				1
45	SM1040650TP	SCREW				4
46	14142103	CONNECTING LINK GUIDE				1
47	B1657506E00	SPRING				1

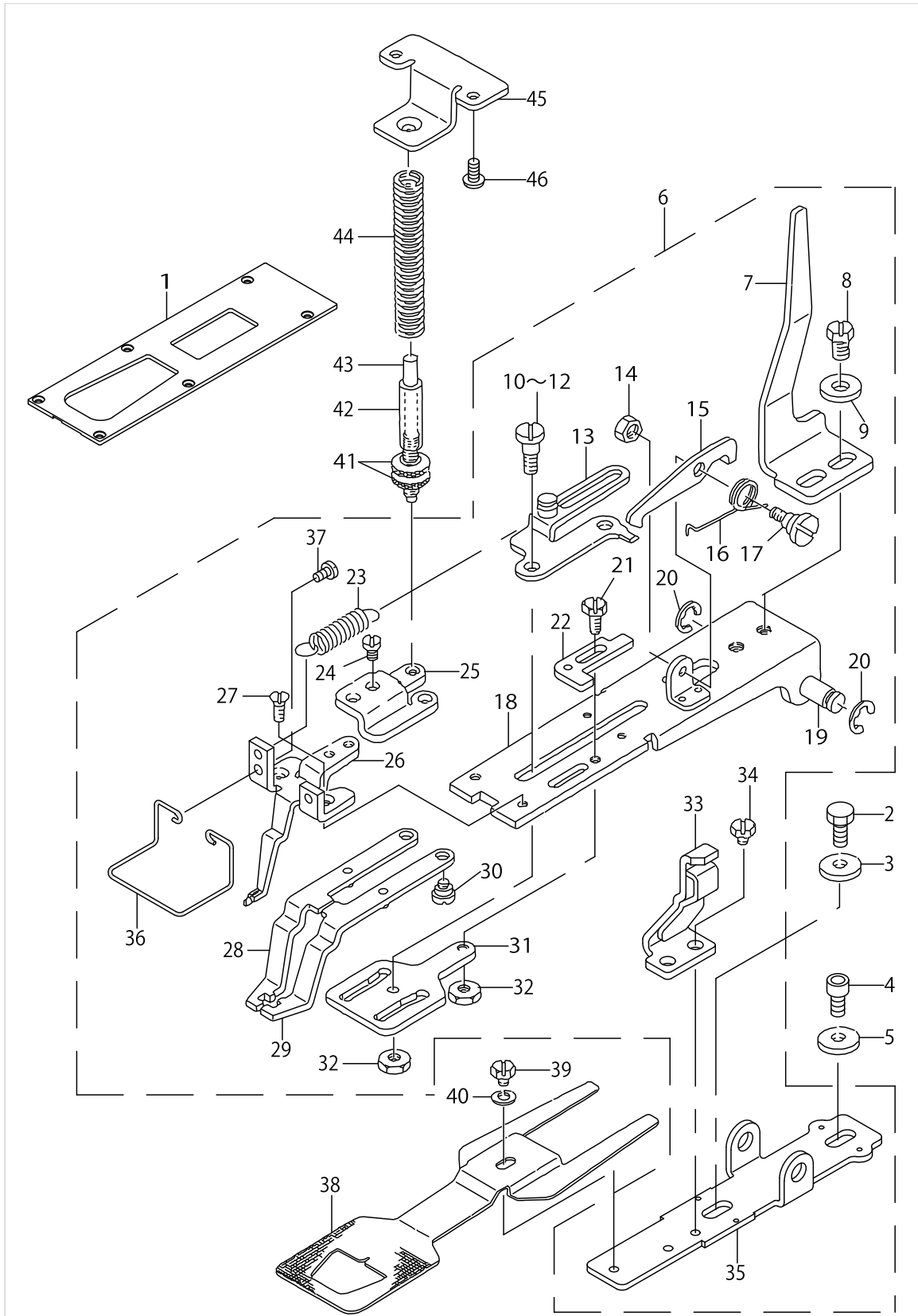
EXCLUSIVE PARTS FOR LK-1901AS (1)



EXCLUSIVE PARTS FOR LK-1901AS (1)

No.	Parts No.	Parts name	Remarks	Level	Cons	Qty
48	13540604	DRIVING BAR B				1
49	B302745000B	PIN				1
50	SL6040892TN	BOLT				2
51	PD02010000B	SPLIT PIN				1
52	SL4030681SC	SCREW M3 L=6				2
53	RC0410415KP	C-RING				2
54	40006914	WORK CLAMP CONNECTING LINK				1

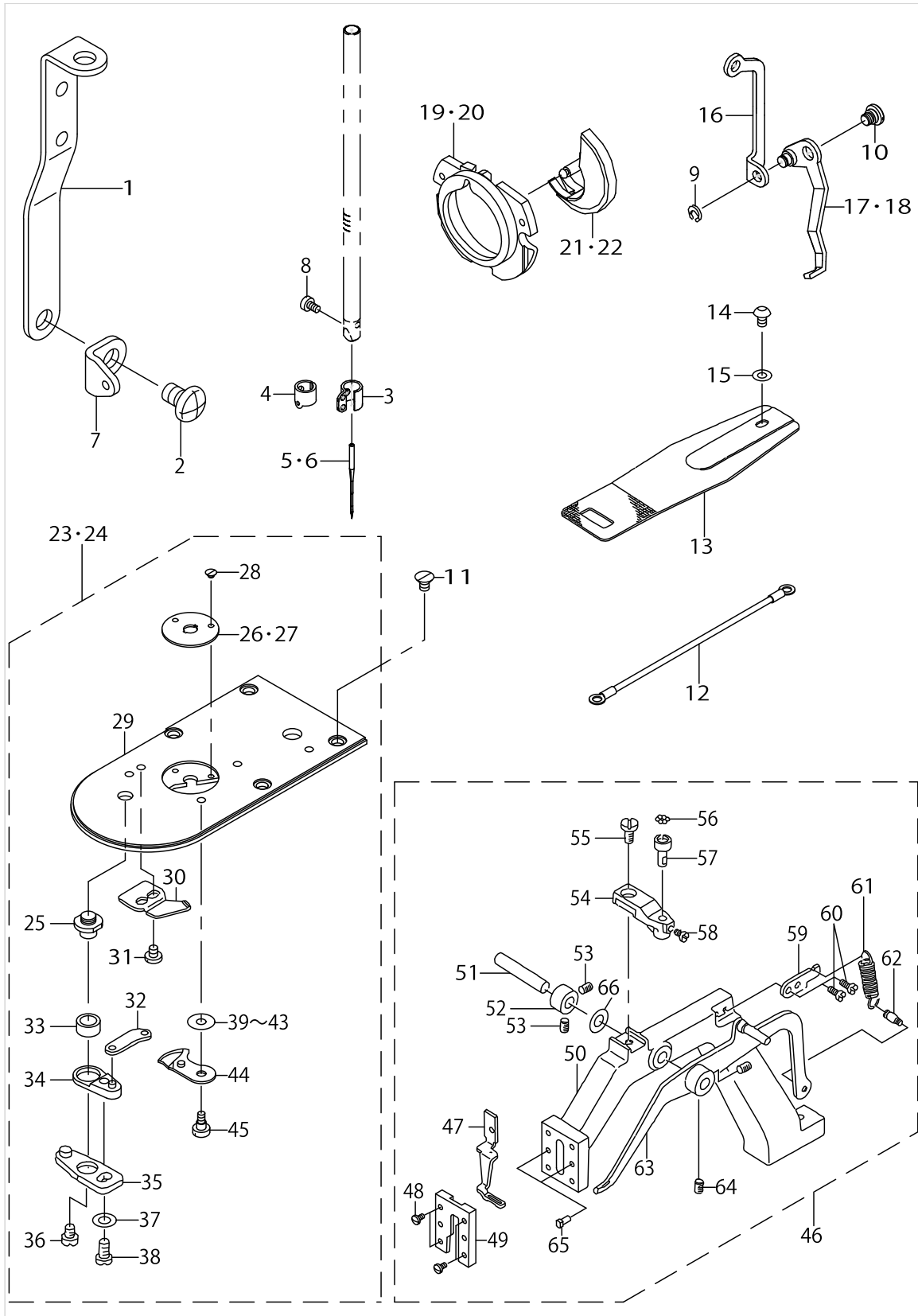
EXCLUSIVE PARTS FOR LK-1901AS (2)



EXCLUSIVE PARTS FOR LK-1901AS (2)

No.	Parts No.	Parts name	Remarks	Level	Cons	Qty
1	40006935	CROTH FEED PRESSER PLATE B				1
2	SM9061403CP	SCREW M6 L=14				1
3	WP0612516SD	WASHER 6.1X15.2X2.5				1
4	SM6061202TP	SCREW M6 L=12				1
5	WP0612516SD	WASHER 6.1X15.2X2.5				1
6	14140255	WORK CLAMP FOOT BRACKET COMPL.				1
7	13541404	WORK CLAMP FOOT LIFTING PLATE		*		1
8	SS9151120CP	SCREW 15/64-28 L=11		*		2
9	WP0612516SD	WASHER 6.1X15.2X2.5		*		2
10	D2545232D0A	HINGE SCREW	SELECTIVE PARTS	*		2
11	D2545232D0B	HINGE SCREW	SELECTIVE PARTS	*		2
12	D2545232D0C	HINGE SCREW	SELECTIVE PARTS	*		2
13	14141055	PULLING PLATE COMPL.		*		1
14	NS6110530SP	NUT 11/64-40		*		1
15	14141105	FIXING HOOK		*		1
16	D2512232D00	TORSION SPRING		*		1
17	D2511232D00	SCREW		*		1
18	14140354	INSTALLING BASE COMPL.		*		1
19	14141402	INSTALLING SHAFT		*		1
20	RE0700000K0	E-RING 7		*		2
21	SS9110920CP	SCREW 11/64-40 L=9		*		1
22	14140909	ADJUSTING PLATE		*		1
23	D2515232D00	TORSION SPRING		*		1
24	SS7110510SP	SCREW 11/64-40 L=5		*		2
25	13541107	WORK CLAMP FOOT SPRING HOLDER		*		1
26	14140552	PICK-UP GUIDE COMPL.		*		1
27	SS1110640TP	SCREW 11/64-40 L= 5.5		*		2
28	D2520232DA0	WORK CLAMP FOOT(LEFT)ASM.		*		1
29	D2521232DA0	WORK CLAMP FOOT(RIGHT)ASM.		*		1
30	SD0550271TP	HINGE SCREW D= 5.50 H= 2.7		*		2
31	14141204	PLATE CAM		*		1
32	NS6120480SP	NUT 3/16-28		*		2
33	14140750	PREVENTING PLATE COMPL.		*		1
34	SS9110460CP	SCREW 11/64-40 L=4		*		2
35	14140206	PICK-UP INSTALLING BASE		*		1
36	14141501	FINGER GUARD		*		1
37	SS7090610SP	SCREW 9/64-40 L=6		*		2
38	13541503	FEED PLATE				1
39	SS9110460CP	SCREW 11/64-40 L=4				1
40	WP0501016SD	WASHER 5X10.5X1				1
41	B3117352000	THREAD TENSION POST NUT				2
42	D2527232D00	SLEEVE				1
43	D2528232D00	SHAFT				1
44	D2529232D00	PRESSER SPRING				1
45	13541602	WORK CLAMP FOOT SPRING HOLDER				1
46	SM5040855SN	SCREW				2

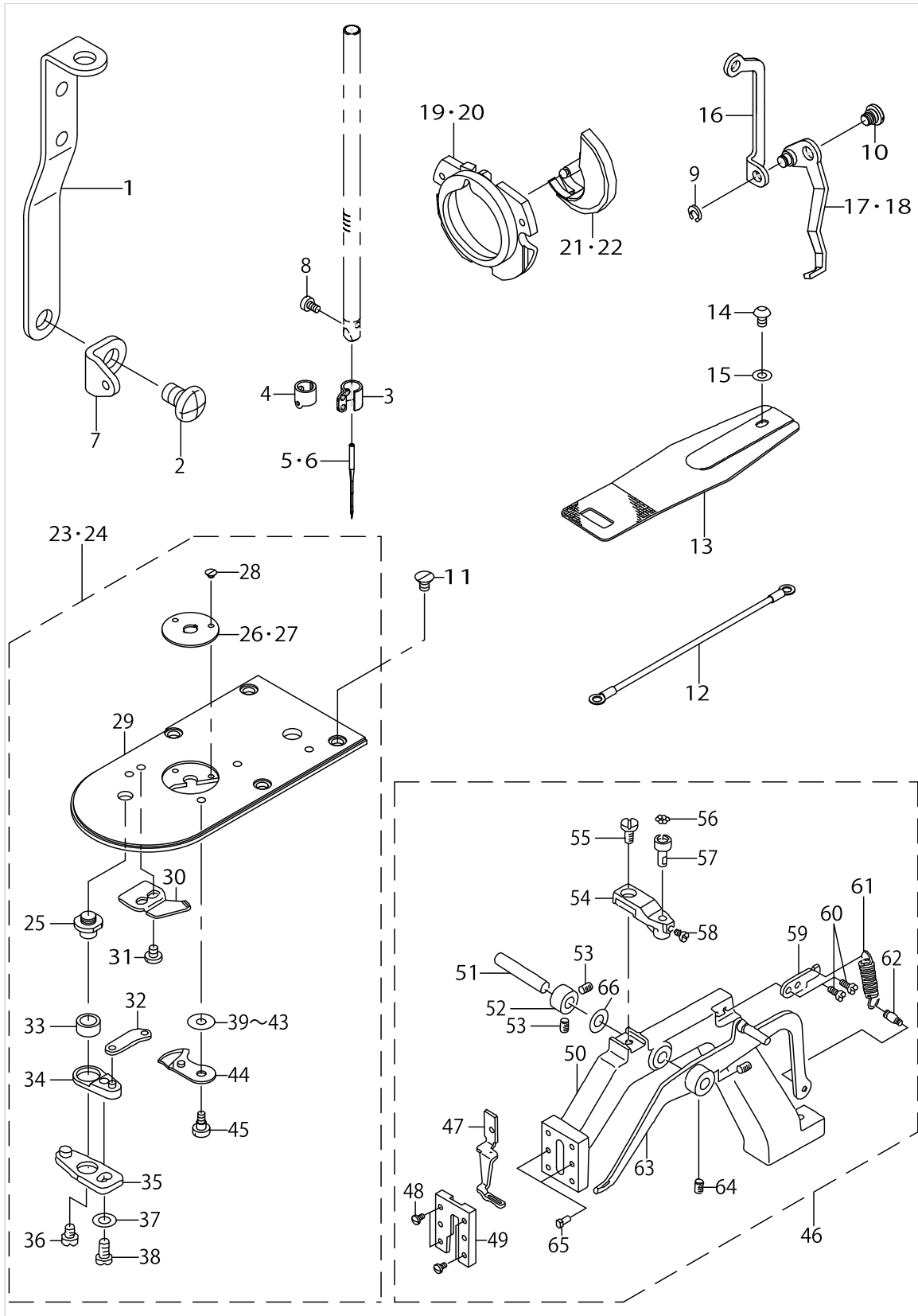
EXCLUSIVE PARTS FOR LK-1902AS,LK-1902AH (1)



EXCLUSIVE PARTS FOR LK-1902AS,LK-1902AH (1)

No.	Parts No.	Parts name	Remarks	Level	Cons	Qty
1	B1114581000	THREAD GUIDE PLATE				1
2	SM4061255SP	SCREW M6 L=12				1
3	40006525	NEEDLE BAR THREAD GUIDE	FOR LK-1902AS			1
4	D1405L7AM00	NEEDLE BAR THREAD GUIDE	FOR LK-1902AH			1
5	MDP500B1400	NEEDLE DPX5 #14	FOR LK-1902AS			1
6	MDP170B2100	NEEDLE DPX17 #21	FOR LK-1902AH			1
7	13786306	THREAD GUIDE NO.1				1
8	SM6030500SN	SCREW M3 L=5				1
9	B1229232000	SNAP RING				1
10	SD0640216TP	SHOULDER SCREW				1
11	SM1040650TP	SCREW				4
12	40005712	EARTH CODE ASM.				1
13	14143002	FEED PLATE				1
14	SM3061052TP	SCREW M6 L=10				1
15	WP0621016SD	WASHER 6.2X13X1				1
16	40006677	WIPER CONNECTING PLATE				1
17	B21012800A0	WIPER ASM.	FOR LK-1902AS			1
18	D2101L7AMA0	WIPER ASM.	FOR LK-1902AH			1
19	14103352	INNER HOOK PRESSER ASM., B	FOR LK-1902AS			1
20	14103659	SHUTTLE RACE RING ASM.,C	FOR LK-1902AH			1
21	40006580	SHUTTLE	FOR LK-1902AS			1
22	40006581	SHUTTLE (H)	FOR LK-1902AH			1
23	40006722	NEEDLE PLATE ASM.,A	FOR LK-1902AS			1
24	40006723	NEEDLE PLATE ASM.,H	FOR LK-1902AH			1
25	B2417280000	THREAD CUTTER LEVER SHAFT		*		1
26	B2426280000	NEEDLE HOLE GUIDE	FOR LK-1902AS	*		1
27	14109607	NEEDLE HOLE GUIDE	FOR LK-1902AH	*		1
28	SS1060210TP	SCREW 3/32-56 L=2.2		*		2
29	40006721	NEEDLE PLATE		*		1
30	B2424280000	FIXING KNIFE		*		1
31	SS7090410SP	SCREW 9/64-40 L= 3.5		*		2
32	B2418280000	MOVING KNIFE LINK		*		1
33	B2416280000	THREAD CUTTING LEVER RING		*		1
34	B24152800A0	THREAD CUTTER LEVER ASM., SMALL		*		1
35	B24142800A0	THREAD CUTTER LEVER ASM., LARGE		*		1
36	SS6110430TP	SCREW 11/64-40 L= 4.0		*		1
37	WP0450846SP	WASHER		*		1
38	SS7110740TP	SCREW 11/64-40 L=7		*		1
39	B242328000C	MOVING KNIFE WASHER C	SELECTIVE PARTS	*		1
40	B242328000A	MOVING KNIFE WASHER A	SELECTIVE PARTS	*		1
41	B242328000B	MOVING KNIFE WASHER B	SELECTIVE PARTS	*		1
42	B242328000D	MOVING KNIFE WASHER D	SELECTIVE PARTS	*		1
43	B242328000E	MOVING KNIFE WASHER E	SELECTIVE PARTS	*		1
44	B24212800A0	MOVING KNIFE ASM.		*		1
45	SD0500091TP	HINGE SCREW D= 5.0 H= 0.9		*		1
46	40090012	CLOTH FEED BASE ASM.				1
47	13544416	CLOTH PRESSER FOOT		*		1

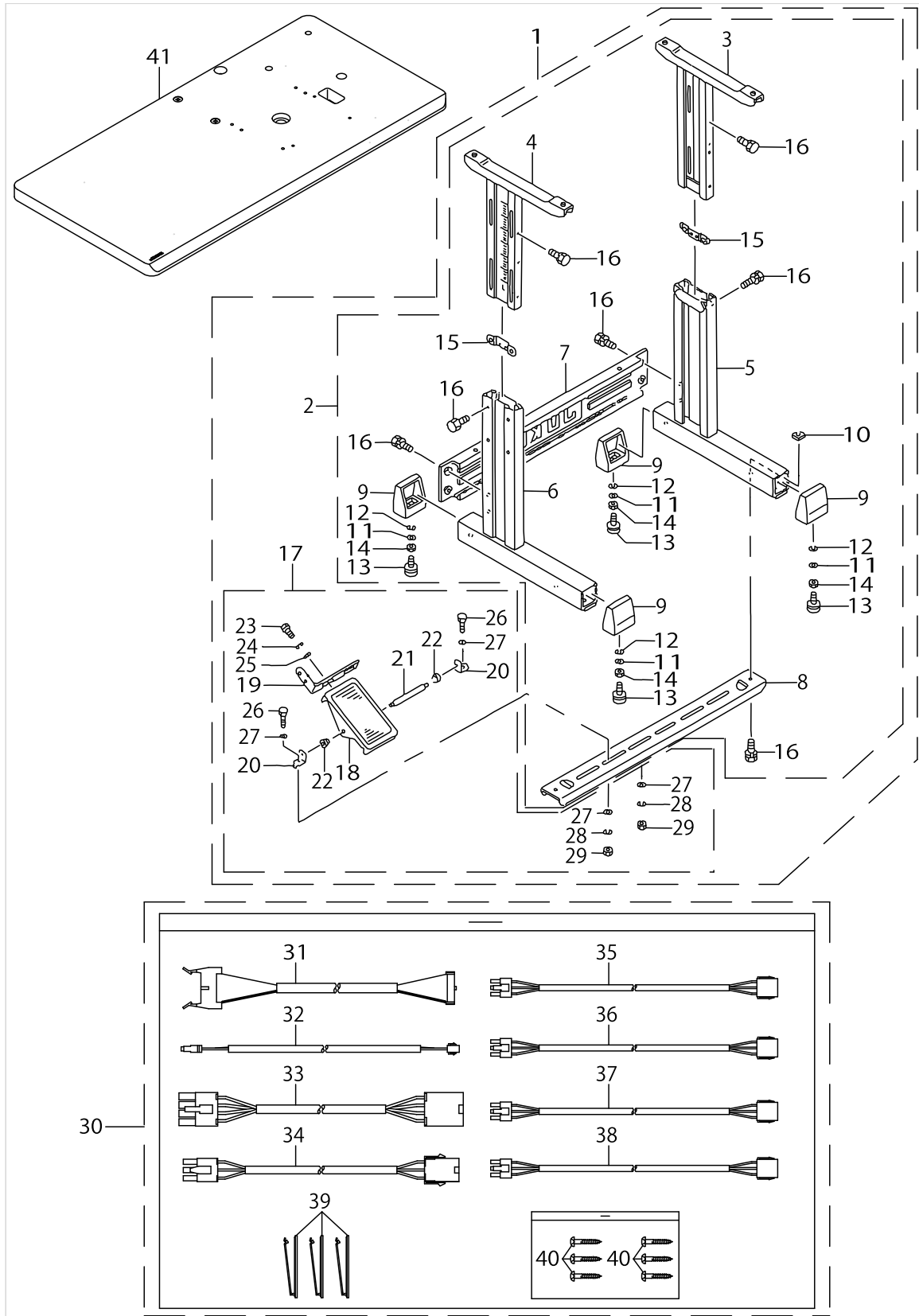
EXCLUSIVE PARTS FOR LK-1902AS,LK-1902AH (1)



EXCLUSIVE PARTS FOR LK-1902AS,LK-1902AH (1)

No.	Parts No.	Parts name	Remarks	Level	Cons	Qty
48	SS7120910TP	SCREW 3/16-28 L=9		*		4
49	13544614	CLOTH FEED BASE COVER		*		1
50	13543715	CLOTH FEED BASE		*		1
51	40089982	LIFTING LEVER SHAFT D		*		1
52	40090010	THRUST COLLAR D		*		1
53	SM8060612TP	SCREW M6 L=6		*		2
54	13543806	BALL HOLDER		*		1
55	SS7151210SP	SCREW 15/64-28 L=12		*		1
56	B2549280000	WORK CLAMP FOOT MOUNTING BASE		*		7
57	B2548280000	BALL RETAINER		*		1
58	SS7110740TP	SCREW 11/64-40 L=7		*		1
59	13543905	SPRING SUSPENSION		*		1
60	SS6120940SP	SCREW 3/16-28 L=9		*		2
61	13544705	SPRING		*		1
62	B3413552000	SUSPENSION SCREW		*		1
63	13544051	LIFTING LEVER ASM.		*		1
64	SS8150822TP	SCREW 15/64-28 L=8		*		2
65	B1816280000	GUIDE PIN		*		2
66	40090011	WASHER D		*		1

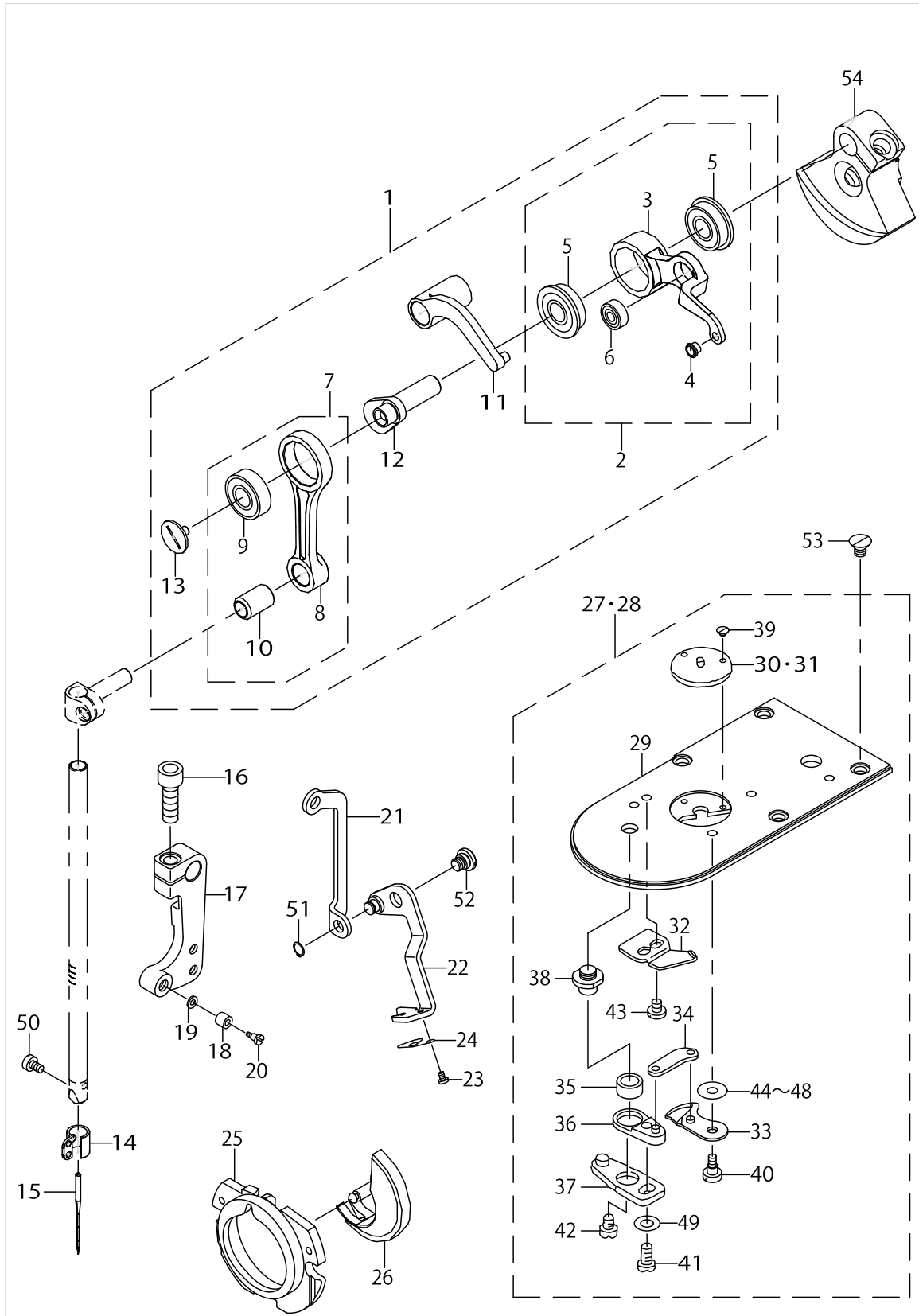
EXCLUSIVE PARTS FOR LK-1902AS,LK-1902AH (2)(TABLE STAND COMPONENTS/JT-K43)



EXCLUSIVE PARTS FOR LK-1902AS,LK-1902AH (2)(TABLE STAND COMPONENTS/JT-K43)

No.	Parts No.	Parts name	Remarks	Level	Cons	Qty
1	13508056	T-STAND COMPL.				1
2	11157559	T-STAND ASM.		*		1
3	11157658	STAND UPPER, RIGHT		*		1
4	11157757	STAND UPPER, LEFT		*		1
5	11157955	STUD ASM., RIGHT		*		1
6	11158052	STRUT JUNCTION (LEFT)		*		1
7	11158300	STAND SIDE SUPPORT		*		1
8	11158409	STAND SIDE SUPPORT		*		1
9	11158607	RUBBER CAP		*		4
10	17007402	NUT		*		2
11	WP1302501SE	WASHER M12		*		4
12	WS1253010KN	SPRING WASHER 12.5X21.5X3		*		4
13	B81085550A0	ADJUSTING SCREW ASM. WITH CAP		*		4
14	NM6120003SE	NUT M12		*		4
15	11158508	PLATE		*		2
16	SL9082091SE	WASHER HEXAGONAL BOLT		*		12
17	13817754	Z-STAND PEDAL ASM.		*		1
18	GPF060600A0	PEDAL ASM.		*		1
19	GPF06080000	PEDAL ADJUSTING PLATE		*		1
20	11159001	PEDAL SHAFT BRACKET		*		2
21	B8153771000	PEDAL CONNECTING ROD		*		1
22	D8113555B00	PEDAL BUSHING		*		2
23	SM9061203SE	SCREW M6 L=12		*		2
24	WP0671016SE	WASHER 6.7X13X1		*		2
25	WS0621210KR	SPRING WASHER 6.2X11.4X1.2		*		2
26	SM9082023SE	SCREW M8 L=20		*		2
27	WP0871602SE	WASHER 8.7X18X1.6		*		4
28	WS0861410KR	SPRING WASHER 8.6X15X1.4		*		2
29	NM6080721SE	NUT M8		*		2
30	40005709	RELAY CODE ASM.				1
31	40005739	INT PCB CODE ASM.		*		1
32	40005740	AC CODE ASM.		*		1
33	40005711	SERVO MOTOR P CODE ASM.		*		1
34	40005710	SERVO MOTOR S CODE ASM.		*		1
35	40005735	X MOTOR CODE ASM.		*		1
36	40005736	Y MOTOR CODE ASM.		*		1
37	40005737	P MOTOR CODE ASM.		*		1
38	40005738	T MOTOR CODE ASM.		*		1
39	M964051000A	CABLE CLIP		*		3
40	SK3382001SE	SCREW D=3.8 L=20		*		6
41	40006887	TABLE B				1

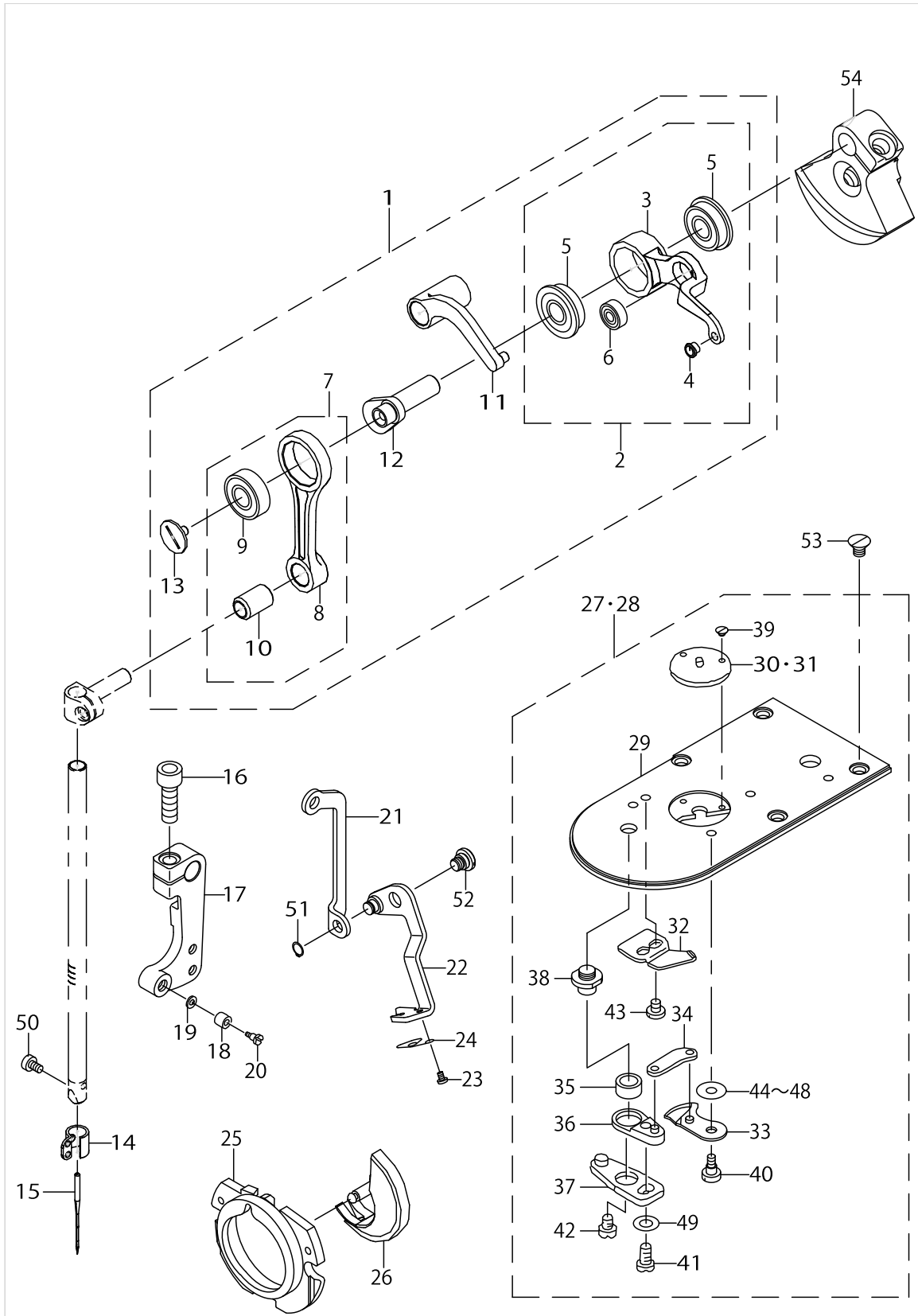
EXCLUSIVE PARTS FOR LK-1903AS-301,LK-1903AS-302 (1)



EXCLUSIVE PARTS FOR LK-1903AS-301,LK-1903AS-302 (1)

No.	Parts No.	Parts name	Remarks	Level	Cons	Qty
1	40006923	THREAD TAKE UP B COMPL.				1
2	40006924	THREAD TAKE UP LEVER B ASM.		*		1
3	40006925	THREAD TAKE UP LEVER B		*		1
4	B1908505000	THREAD PASS BUSH		*		1
5	SB108002200	BEARING		*		2
6	SB104001600	BEARING		*		1
7	40006534	NEEDLE BAR CRANK ROD ASM.		*		1
8	40006535	NEEDLE BAR CRANK ROD		*		1
9	SB108002300	BEARING		*		1
10	22891006	NEEDLE BAR CRANK ROD BUSH		*		1
11	40006532	THREAD TAKE UP CRANK		*		1
12	40006926	NEEDLE ROD CRANK B		*		1
13	B1903552000	LEFT SCREW		*		1
14	40006525	NEEDLE BAR THREAD GUIDE				1
15	MDP170B1400	NEEDLE DPX17 #14				1
16	SM6061802TP	SCREW M6 L=18				1
17	40011949	CONNECTING ARM B				1
18	B2619372000	STOP MOTION TRIPPING LEVER CAM				1
19	B185351200E	HOOK SHAFT WASHER				1
20	SD0791271SP	HINGE SCREW D= 7.94 H=12.7				1
21	40006937	WIPER CONNECTING PLATE B				1
22	40033047	WIPER ASM.				1
23	SS5060310SP	SCREW 3/32-56 L=2.8				2
24	40009860	WIPER THREAD CATCH SPRING				1
25	14103352	INNER HOOK PRESSER ASM., B				1
26	40006580	SHUTTLE				1
27	40006725	NEEDLE PLATE ASM.,M	FOR LK-1903AS-301			1
28	40006726	NEEDLE PLATE ASM.,K	FOR LK-1903AS-302			1
29	40006721	NEEDLE PLATE		*		1
30	MAZ15801000	GUIDE	FOR LK-1903AS-301	*		1
31	MAZ15601000	GUIDE	FOR LK-1903AS-302	*		1
32	B2424280000	FIXING KNIFE		*		1
33	B24212800A0	MOVING KNIFE ASM.		*		1
34	B2418280000	MOVING KNIFE LINK		*		1
35	B2416280000	THREAD CUTTING LEVER RING		*		1
36	B24152800A0	THREAD CUTTER LEVER ASM., SMALL		*		1
37	B24142800A0	THREAD CUTTER LEVER ASM., LARGE		*		1
38	B2417280000	THREAD CUTTER LEVER SHAFT		*		1
39	SS1060210TP	SCREW 3/32-56 L=2.2		*		2
40	SD0500091TP	HINGE SCREW D= 5.0 H= 0.9		*		1
41	SS7110740TP	SCREW 11/64-40 L=7		*		1
42	SS6110430TP	SCREW 11/64-40 L= 4.0		*		1
43	SS7090410SP	SCREW 9/64-40 L= 3.5		*		2
44	B242328000A	MOVING KNIFE WASHER A	SELECTIVE PARTS	*		1
45	B242328000B	MOVING KNIFE WASHER B	SELECTIVE PARTS	*		1
46	B242328000C	MOVING KNIFE WASHER C	SELECTIVE PARTS	*		1
47	B242328000D	MOVING KNIFE WASHER D	SELECTIVE PARTS	*		1

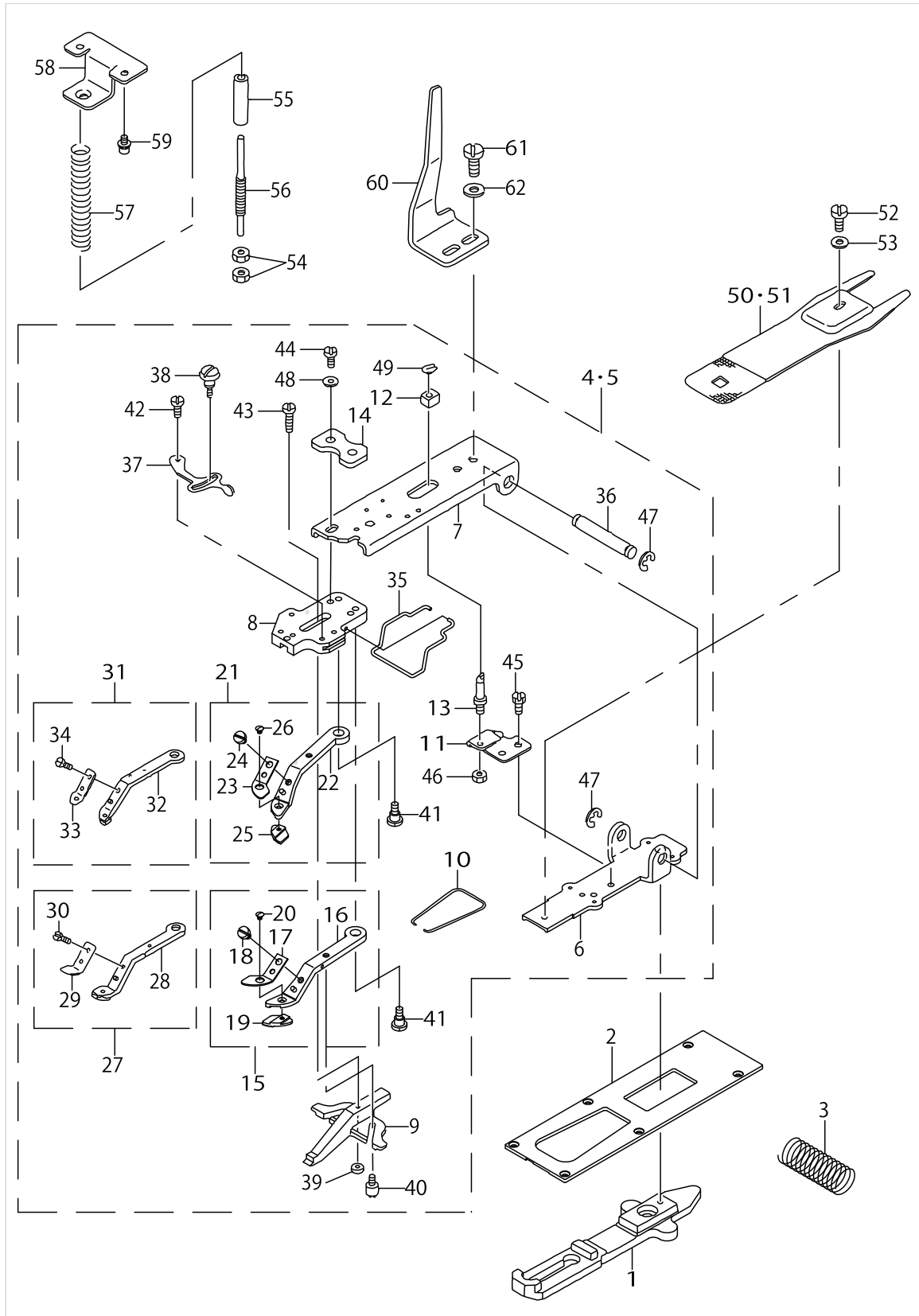
EXCLUSIVE PARTS FOR LK-1903AS-301,LK-1903AS-302 (1)



EXCLUSIVE PARTS FOR LK-1903AS-301,LK-1903AS-302 (1)

No.	Parts No.	Parts name	Remarks	Level	Cons	Qty
48	B242328000E	MOVING KNIFE WASHER E	SELECTIVE PARTS	*		1
49	WP0450846SP	WASHER		*		1
50	SM6030500SN	SCREW M3 L=5				1
51	RC0470611KP	RETAINING RING 4.7				1
52	SD0640216TP	SHOULDER SCREW				1
53	SM1040650TP	SCREW				4
54	40010429	COUNTER_WEIGHT_B				1

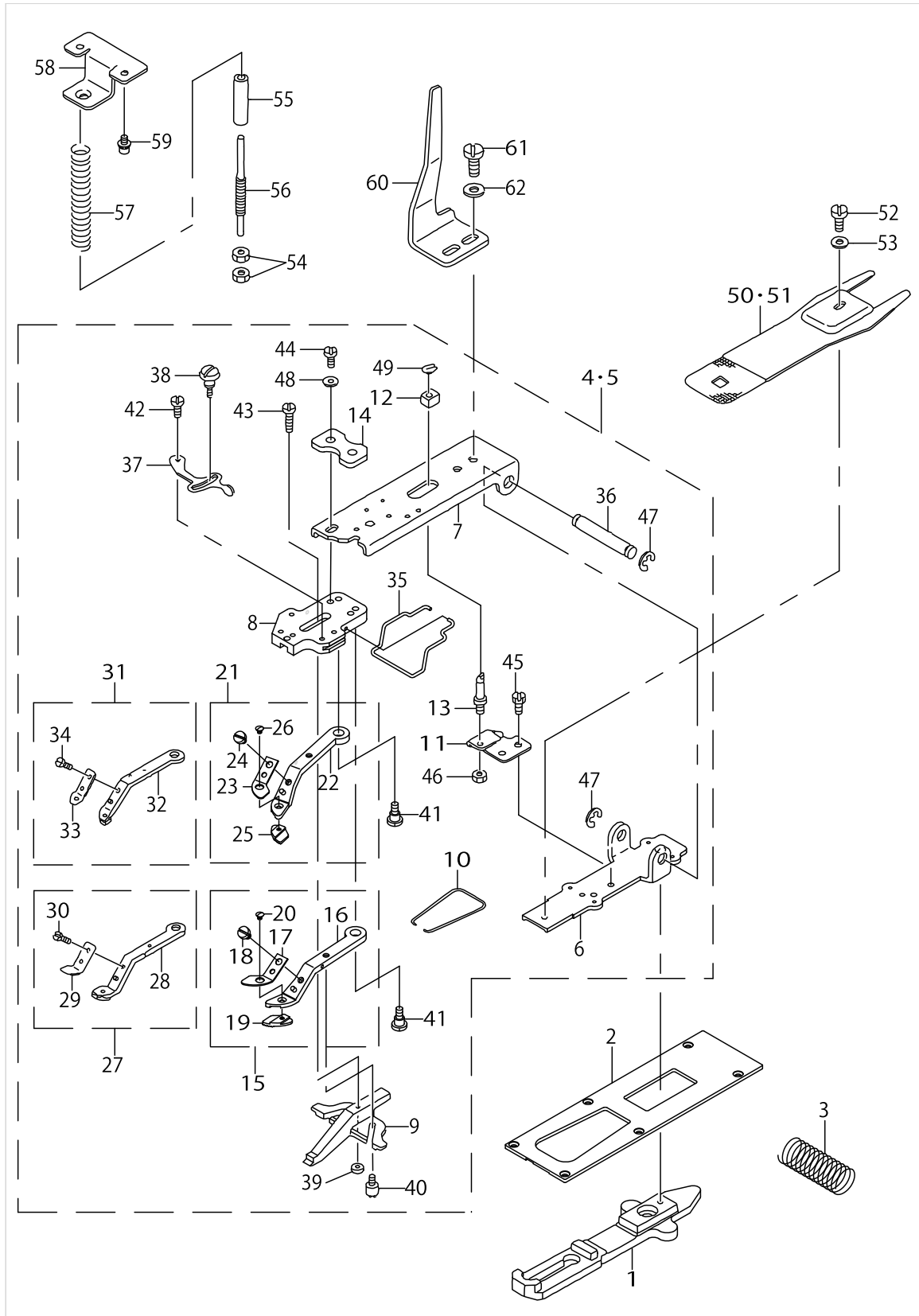
EXCLUSIVE PARTS FOR LK-1903AS-301,LK-1903AS-302 (2)



EXCLUSIVE PARTS FOR LK-1903AS-301,LK-1903AS-302 (2)

No.	Parts No.	Parts name	Remarks	Level	Cons	Qty
1	14145106	CLOTH FEED PLATE				1
2	40006935	CROTH FEED PRESSER PLATE B				1
3	14148407	VERTICAL FEED SHAFT SPRING				1
4	14145858	VERY SMALL CLAMP MECHANISM ASM	FOR LK-1903AS-301			1
5	14145650	MEDIUM CLAMP MECHANISM ASM.	FOR LK-1903AS-302			1
6	14146104	PICK-UP INSTALLING BASE		*		1
7	14146203	PICK-UP FOOT INSTALLING BASE		*		1
8	14146302	PICK-UP FOOT INSTALLING BASE		*		1
9	B2552372000	BUTTON CLAMP SLIDE		*		1
10	MAZ15513000	BUTTON CLAMP JAW LEVER SPRING		*		1
11	MAZ15514000	SUPPORT PLATE		*		1
12	MAZ15515000	SLIDE BLOCK		*		1
13	13540901	STATIONING BLOCK SHAFT		*		1
14	14146401	PRESSER PLATE		*		1
15	14149058	MIDDLE CLAMP JAW LEVER ASM.,R	FOR LK-1903AS-302	*		1
16	MAZ15507000	SMALL CLAMP JAW LEVER ASM.,L		*		1
17	MAZ15509000	SPRING, RIGHT		*		1
18	SS7090410SP	SCREW 9/64-40 L= 3.5		*		1
19	14149009	PLATE L, R		*		1
20	SS2060310SP	SCREW 3/32-56 L=3		*		1
21	14149157	MIDDLE CLAMP JAW LEVER ASM.,L	FOR LK-1903AS-302	*		1
22	MAZ15508000	SMALL CLAMP JAW LEVER, L		*		1
23	MAZ15510000	SPRING, LEFT		*		1
24	SS7090410SP	SCREW 9/64-40 L= 3.5		*		1
25	14149108	PLATE L, L		*		1
26	SS2060310SP	SCREW 3/32-56 L=3		*		1
27	MAZ158070BB	EXTRA SMALL CLAMP LEVER ASM.,L	FOR LK-1903AS-301	*		1
28	MAZ158070AB	EXTRA SMALL CLAMP LEVER ASM.,L		*		1
29	MAZ15809000	SPRING,RIGHT		*		1
30	SS7090410SP	SCREW 9/64-40 L= 3.5		*		1
31	MAZ158080BB	EXTRA SMALL CLAMP LEVER ASM.,L	FOR LK-1903AS-301	*		1
32	MAZ158080AB	EXTRA SMALL CLAMP LEVER ASM.,L		*		1
33	MAZ15810000	SPRING,LEFT		*		1
34	SS7090410SP	SCREW 9/64-40 L= 3.5		*		1
35	D3130M1YC00	FINGER GUARD		*		1
36	14141402	INSTALLING SHAFT		*		1
37	B2548372000	SNAP FASTENER CLAMP STOP LEVER		*		1
38	B2549372000	CLAMP SCREW A		*		1
39	B2553372000	NUT		*		1
40	B2560372000	BUTTON CLAMP STOP PIN		*		2
41	SD0640391TP	HINGE SCREW D= 6.35 H= 3.9		*		2
42	SD0550181SP	HINGE SCREW D= 5.50 H= 1.8		*		1
43	SD0550301SP	HINGE SCREW D=5.5 H=3		*		1
44	SS9621413SP	SCREW 3/16-32 L=13.5		*		2
45	SS9110460CP	SCREW 11/64-40 L=4		*		2
46	NS6150310SP	NUT 15/64-28		*		1
47	RE0700000K0	E-RING 7		*		2

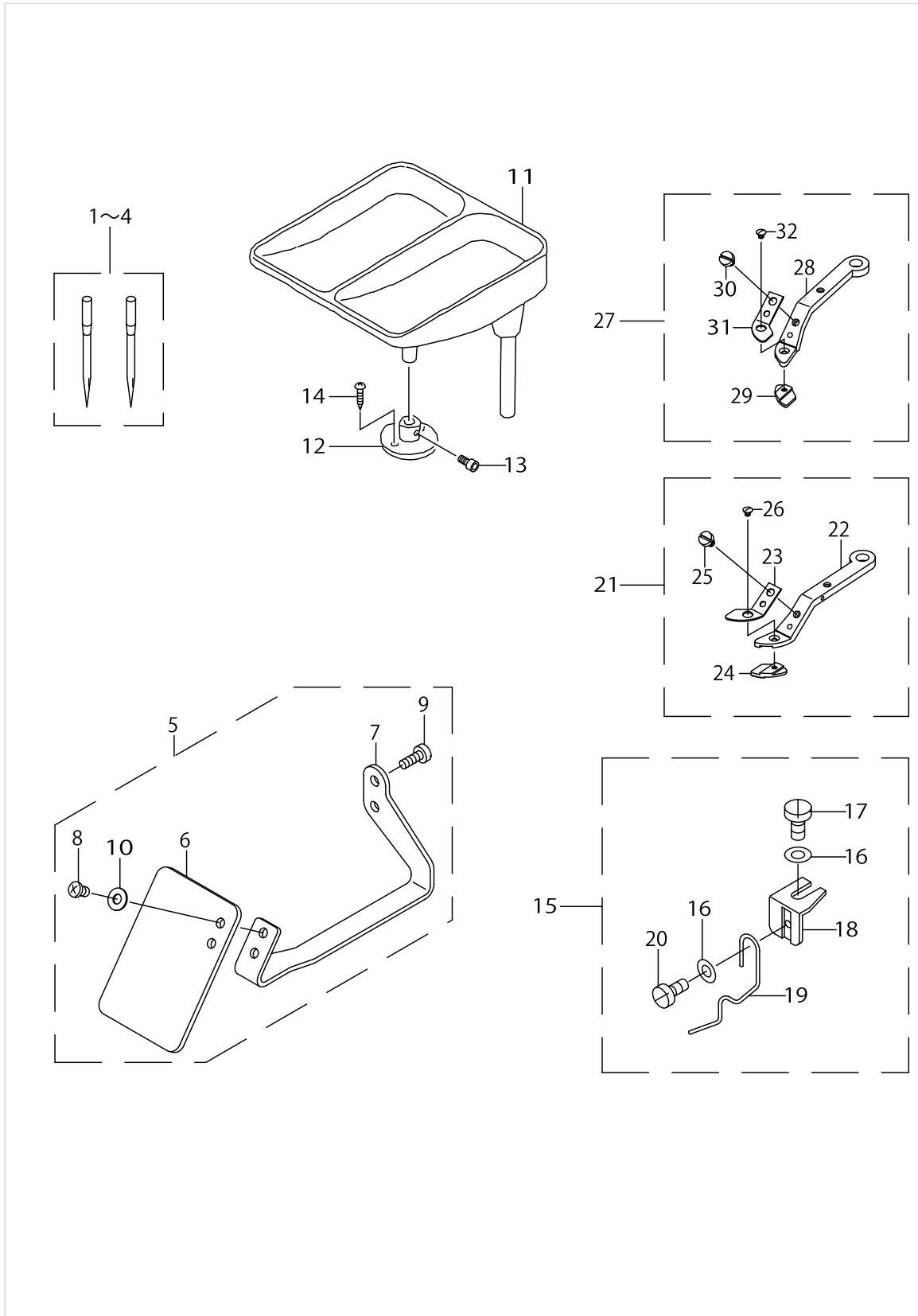
EXCLUSIVE PARTS FOR LK-1903AS-301,LK-1903AS-302 (2)



EXCLUSIVE PARTS FOR LK-1903AS-301,LK-1903AS-302 (2)

No.	Parts No.	Parts name	Remarks	Level	Cons	Qty
48	WP0501016SD	WASHER 5X10.5X1		*		2
49	D2548232D00	SNAP RING,FOR CONNECTING ROD		*		1
50	MAZ15502000	PRESSURE PLATE	FOR LK-1903AS-301			1
51	MAZ15602000	PRESSURE PLATE	FOR LK-1903AS-302			1
52	SS9110543CP	SCREW 11/64-40 L=5.3				1
53	WP0501016SD	WASHER 5X10.5X1				1
54	B3125012000	THREAD TENSION NUT				2
55	D2527232D00	SLEEVE				1
56	14146906	ADJUSTING SHAFT				1
57	13812003	PRESSURE SPRING				1
58	13811906	ACCEPT PLATE, UPPER				1
59	SL6040892TN	BOLT				2
60	MAZ15516000	MOVING PLATE				1
61	SS9151120CP	SCREW 15/64-28 L=11				2
62	WP0612516SD	WASHER 6.1X15.2X2.5				2

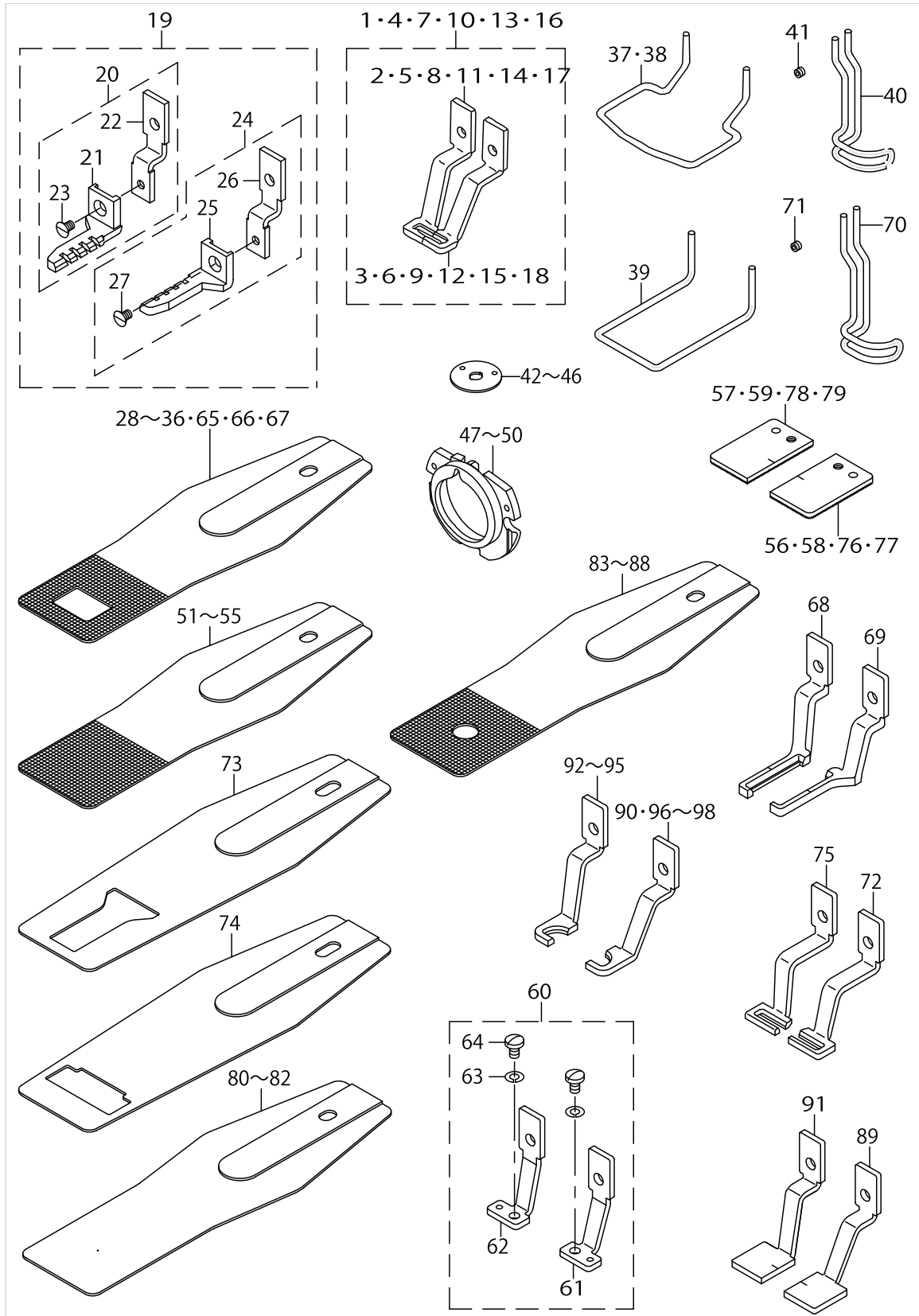
ACCESSORIES PARTS FOR LK-1900A SUBCLASSES



ACCESSORIES PARTS FOR LK-1900A SUBCLASSES

No.	Parts No.	Parts name	Remarks	Level	Cons	Qty
1	MDP500B1402	NEEDLE DPX5#14-2	FOR LK-1901AS,LK-1902AS, USE IN JAPAN			1
2	MDP500B1602	NEEDLE DPX5#16-2	FOR LK-1901AS,LK-1902AS (EXCEPT USE IN JAPAN)			1
3	MDP170B2102	NEEDLE DPX17#21-2	FOR LK-1902AH			1
4	MDP170B1402	NEEDLE DPX17#14-2	FOR LK-1903AS-301, LK-1903AS-302			1
5	40006485	SAFETY PLATE ASM B	FOR LK-1902AS,LK-1902AH			1
6	13889407	SAFETY PLATE		*		1
7	40052810	SAFETY PLATE INSTALLING BASE		*		1
8	SM4040655SP	SCREW M4 L=6		*		2
9	SM6041150TP	SCREW		*		2
10	WP0450801SD	WASHER 4.5X10X0.8		*		2
11	17848458	BUTTON TRAY ASM.	FOR LK-1903AS-301, LK-1903AS-302			1
12	40033635	BUTTON TRAY BASE	FOR LK-1903AS-301, LK-1903AS-302			1
13	SM6061202TP	SCREW M6 L=12	FOR LK-1903AS-301, LK-1903AS-302			1
14	SK3412001SE	WOOD SCREW D=4.1 L=20	FOR LK-1903AS-301, LK-1903AS-302			2
15	14146757	BUTTON RISING BAR ASM.	FOR LK-1903AS-301, LK-1903AS-302			1
16	WP0370316SD	WASHER 3.7X8X0.3		*		2
17	SS9090813TP	SCREW 9/64-40 L=8		*		1
18	14146807	INSTALLING BASE		*		1
19	14146708	BUTTON RISING BAR		*		1
20	SS6080340SP	SCREW 1/8-44 L=2.9		*		1
21	14148852	SMALL CLAMP JAW LEVER ASM.,R	FOR LK-1903AS-301			1
22	MAZ15507000	SMALL CLAMP JAW LEVER ASM.,L		*		1
23	MAZ15509000	SPRING, RIGHT		*		1
24	14148803	PLATE K, R		*		1
25	SS7090410SP	SCREW 9/64-40 L= 3.5		*		1
26	SS2060310SP	SCREW 3/32-56 L=3		*		1
27	14148951	SMALL CLAMP JAW LEVER ASM.,L	FOR LK-1903AS-301			1
28	MAZ15508000	SMALL CLAMP JAW LEVER, L		*		1
29	14148902	PLATE K, L		*		1
30	SS7090410SP	SCREW 9/64-40 L= 3.5		*		1
31	MAZ15510000	SPRING, LEFT		*		1
32	SS2060310SP	SCREW 3/32-56 L=3		*		1

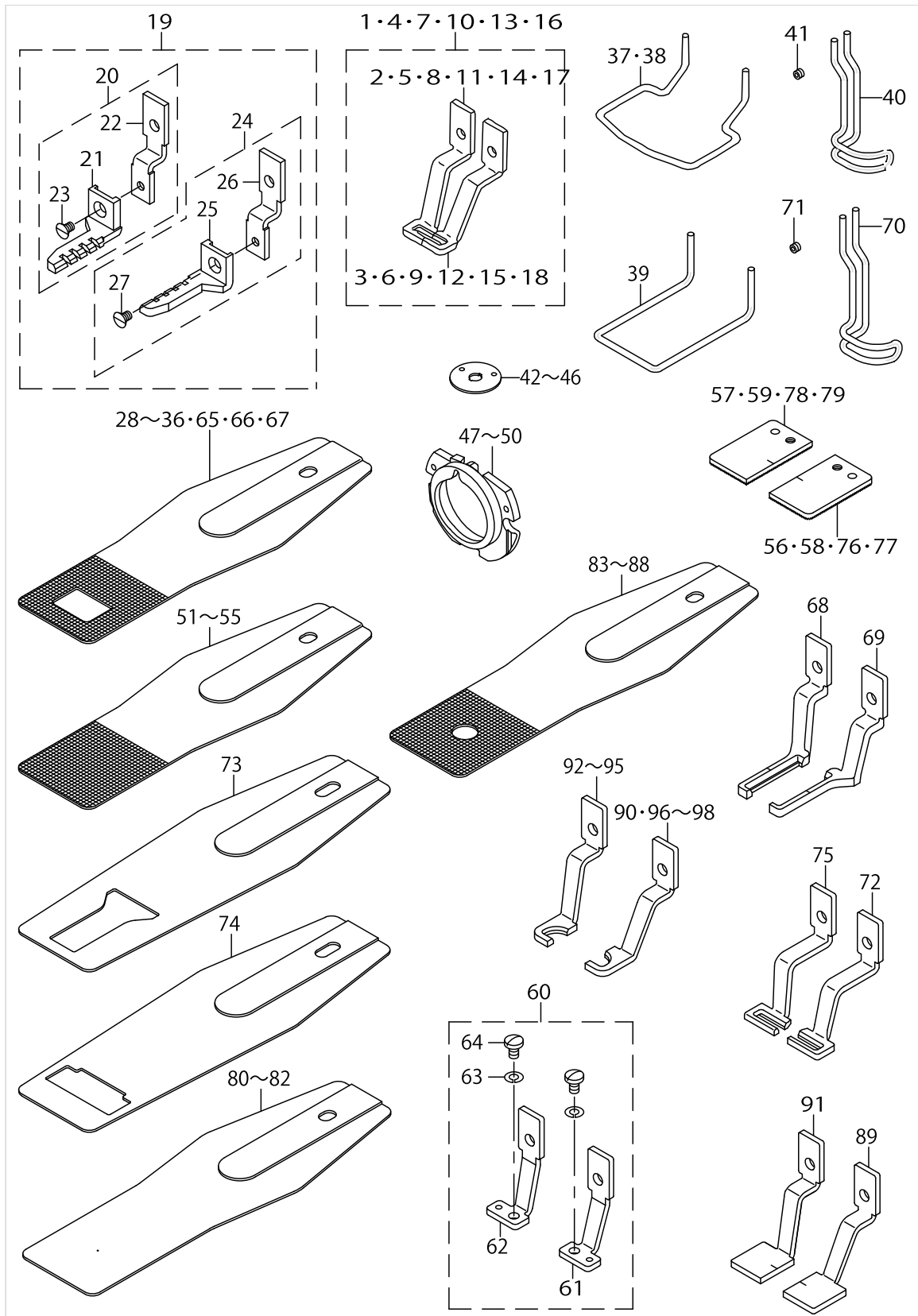
OPTION COMPONENTS (1)



OPTION COMPONENTS (1)

No.	Parts No.	Parts name	Remarks	Level	Cons	Qty
1	13518659	WORK CLAMP FOOT ASM.				1
2	13518600	WORK CLAMP FOOT, RIGHT		*		1
3	13518709	WORK CLAMP FOOT, LEFT		*		1
4	13548557	WORK CLAMP FOOT ASM.				1
5	13548508	WORK CLAMP FOOT. RIGHT		*		1
6	13548607	WORK CLAMP FOOT. LEFT		*		1
7	13548151	CLOTH PRESSER FOOT ASM.				1
8	13548102	WORK CLAMR FOOT. RIGHT		*		1
9	13548201	WORK CLAMR FOOT LEFT		*		1
10	13542451	WORK CLAMP FOOT ASM.				1
11	13542402	WORK CLAMP FOOT, RIGHT		*		1
12	13542501	WORK CLAMP FOOT, LEFT		*		1
13	13542964	PRESSER ASM.				1
14	13542915	WORK CLAMP FOOT, RIGHT		*		1
15	13543012	WORK CLAMP FOOT, LEFT		*		1
16	13571955	WORK CLAMP FOOT ASM.				1
17	13571906	CLOTH PRESSER FOOT (RIGHT)		*		1
18	13572003	CLOTH PRESSER FOOT (LEFT)		*		1
19	13561360	WORK CLAMP FOOT ASM.				1
20	13561352	WORK CLAMP FOOT ASM.,RIGHT		*		1
21	13561303	CLOTH PRESSER FOOT (RIGHT)		*		1
22	13562509	PRESSER FOOT SLIDING PLATE (R)		*		1
23	SS1110640TP	SCREW 11/64-40 L= 5.5		*		1
24	13561451	WORK CLAMP FOOT ASM.,LEFT		*		1
25	13561402	CLOTH PRESSER FOOT (LEFT)		*		1
26	13562608	PRESSER FOOT SLIDING PLATE (L)		*		1
27	SS1110640TP	SCREW 11/64-40 L= 5.5		*		1
28	14116107	FEED PLATE A				1
29	14116404	FEED PLATE D				1
30	14116305	FEED PLATE C				1
31	13548003	FEED PLATE				1
32	13554506	FEED PLATE				1
33	14116602	FEED PLATE F				1
34	14116206	FEED PLATE B				1
35	14116503	FEED PLATE E				1
36	14116701	FEED PLATE G				1
37	13533104	FINGER GUARDE				1
38	13548300	FINGER GUARD				1
39	13573407	FINGER GUARD				1
40	14120000	FINGER GUARD				1
41	SM8040302TP	SETSCREW				1
42	B2426280000	NEEDLE HOLE GUIDE				1
43	B242628000B	NEEDLE HOLE GUIDE B				1
44	14109607	NEEDLE HOLE GUIDE				1
45	D2426282C00	NEEDLE HOLE GUIDE				1
46	D2426MMCK00	NEEDLE HOLE GUIDE				1
47	14103253	INNER HOOK PRESSER ASM., A				1

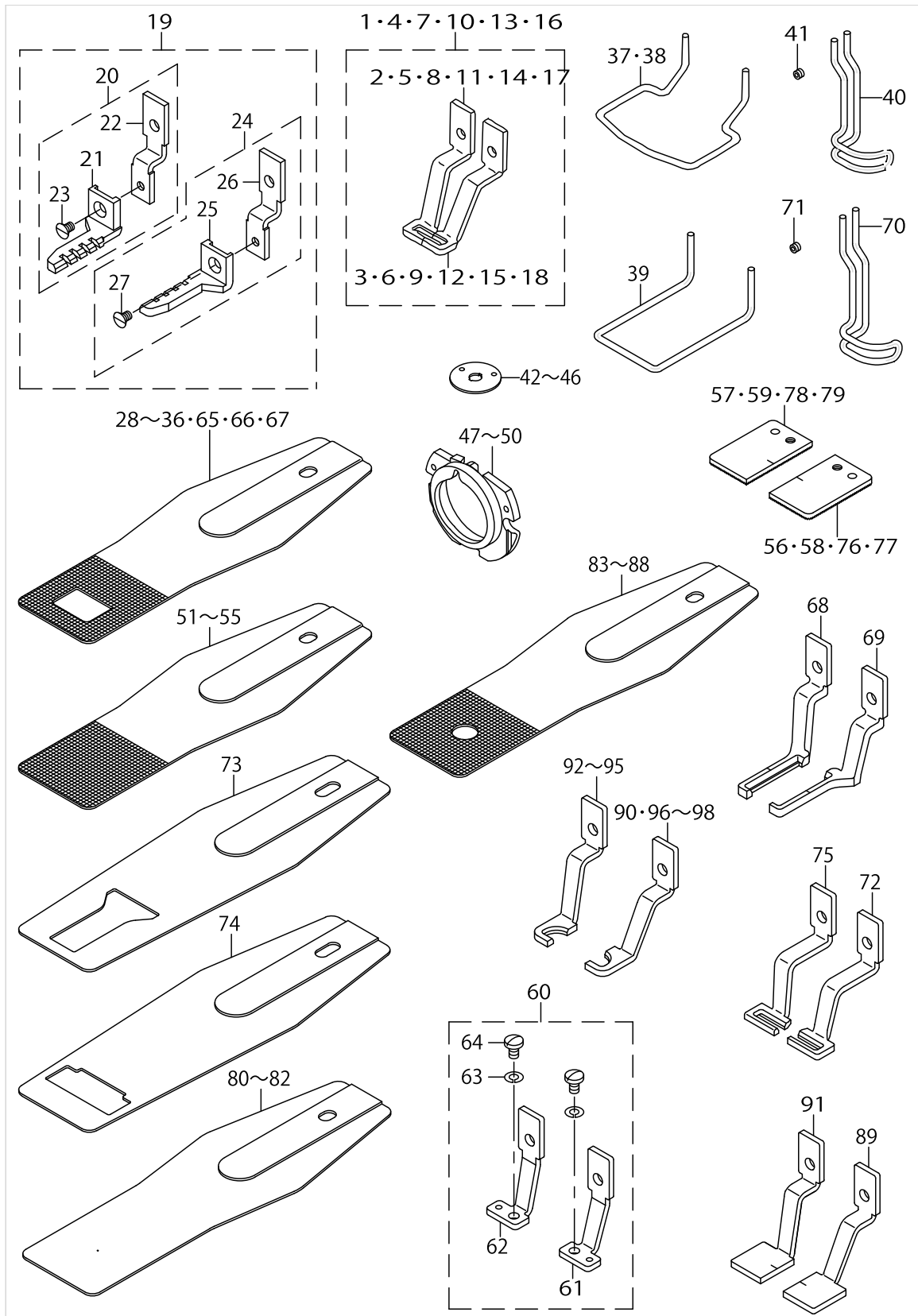
OPTION COMPONENTS (1)



OPTION COMPONENTS (1)

No.	Parts No.	Parts name	Remarks	Level	Cons	Qty
48	14103352	INNER HOOK PRESSER ASM., B				1
49	14103659	SHUTTLE RACE RING ASM.,C				1
50	B1817210DAD	SHUTTLE RACE RING ASM.,D				1
51	14120109	FEED PLATE BLANK A				1
52	14120208	FEED PLATE BLANK B				1
53	14120505	FEED PLATE BLANK C				1
54	14120307	FEED PLATE BLANK D				1
55	14120406	FEED PLATE BLANK E				1
56	14121701	CLOTH PRESSER BLANK,R(SURFACE)				1
57	14121800	CLOTH PRESSER BLANK,L(SURFACE)				1
58	14121909	CLOTH PRESSER BLANK,RIGHT				1
59	14122006	CLOTH PRESSER BLANK,LEFT				1
60	14121263	WORK CLAMP FOOT ASM.				1
61	14121255	WORK CLAMP FOOT ASM.,RIGHT		*		1
62	14121354	WORK CLAMP FOOT ASM.,LEFT		*		1
63	WS0451040KP	SPRING WASHER 4.5X8.5X1		*		2
64	SS7110710SP	SCREW 11/64-40 L=7		*		2
65	14116800	FEED PLATE H				1
66	14116909	FEED PLATE I				1
67	13554803	FEED PLATE				1
68	14137608	WORK CLAMP FOOT A ,LEFT				1
69	14137509	WORK CLAMP FOOT A ,RIGHT				1
70	14135305	FINGER GUARDE				1
71	SM8040302TP	SETSCREW				1
72	14137806	CLOTH PRESSER FOOT B ,RIGHT				1
73	14137707	CLOTH PRESSER LOWER PLATE A				1
74	14138002	CLOTH PRESSER LOWER PLATE B				1
75	14137905	CLOTH PRESSER FOOT B ,LEFT				1
76	40021851	WORK CLAMP BLANK RIGHT(PLATING)				1
77	40021853	WORK CLAMP BLANK RIGHT(NO PLATING)				1
78	40021852	WORK CLAMP BLANK LEFT(PLATING)				1
79	40021854	WORKCLAMPBLANKLEFT(NOPLATING)				1
80	40021855	FEED PLATE A(NO GIZA/PLATING)				1
81	40021856	FEED PLATE B(NO GIZA/NO PLATING)				1
82	40021857	FEED PLATE C(NO GIZA/SUS)				1
83	40021858	FEED PLATE D(GIZA/PLATING)				1
84	40021859	FEED PLATE E(GIZA/NO PLATING)				1
85	40021873	FEED PLATE D9-14				1
86	40021876	FEED PLATE 12				1
87	40021879	FEED PLATE 10				1
88	40021882	FEED PLATE 14				1
89	40021870	WORK CLAMP FOOT BLANK LEFT				1
90	40021872	WORK CLAMP FOOT D9-14 LEFT				1
91	40021869	WORK CLAMP FOOT BLANK RIGHT				1
92	40021871	WORK CLAMP FOOT D9-14 RIGHT				1
93	40021874	WORK CLAMP FOOT 12 RIGHT				1
94	40021877	WORK CLAMP FOOT 10 RIGHT				1

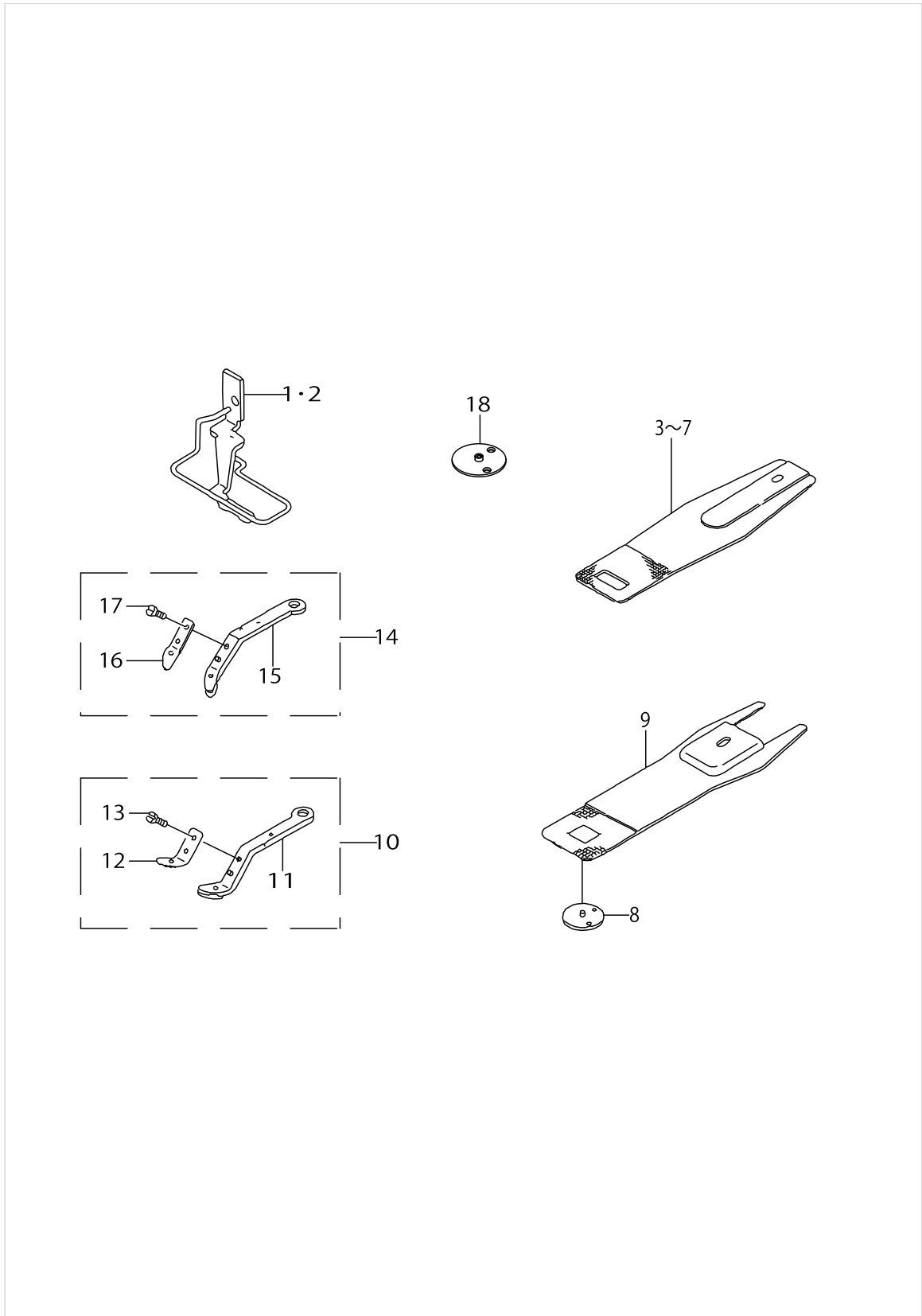
OPTION COMPONENTS (1)



OPTION COMPONENTS (1)

No.	Parts No.	Parts name	Remarks	Level	Cons	Qty
95	40021880	WORK CLAMP FOOT 14 RIGHT				1
96	40021875	WORK CLAMP FOOT 12 LEFT				1
97	40021878	WORK CLAMP FOOT 10 LEFT				1
98	40021881	WORK CLAMP FOOT 14 LEFT				1

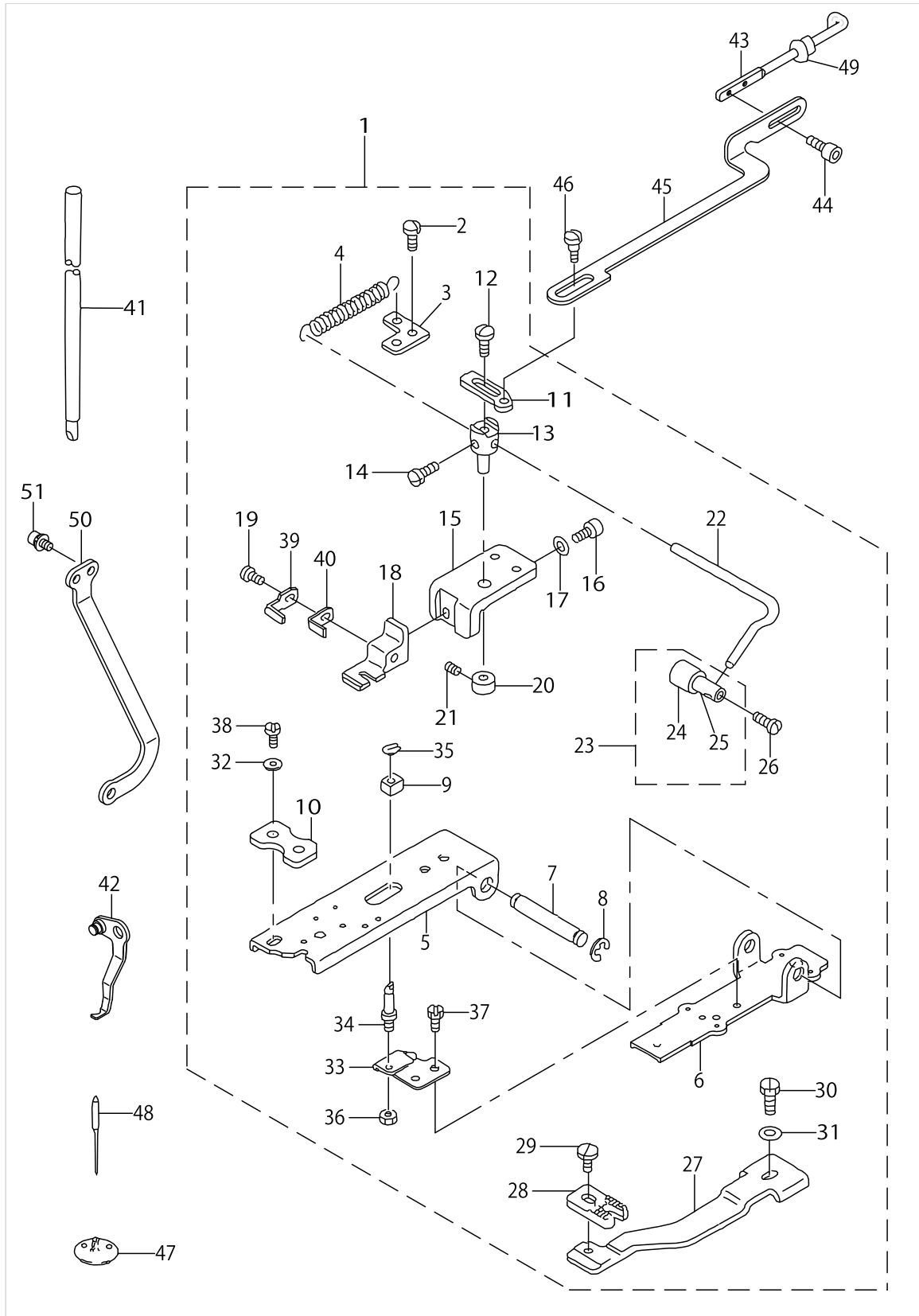
OPTION COMPONENTS (2) (FOR LK-1902A,LK-1903A)



OPTION COMPONENTS (2) (FOR LK-1902A,LK-1903A)

No.	Parts No.	Parts name	Remarks	Level	Cons	Qty
1	13545660	WORK CLAMP FOOT ASM.	FOR LK-1902A			1
2	13547161	WORK CLAMP FOOT ASM.	FOR LK-1902A			1
3	13545504	FEED PLATE	FOR LK-1902A			1
4	13545801	FEED PLATE	FOR LK-1902A			1
5	13547005	FEED PLATE	FOR LK-1902A			1
6	13546700	CLOTH PRESSER PLATE	FOR LK-1902A			1
7	13548706	CLOTH PRESSER LOWER PLATE	FOR LK-1902A			1
8	MAZ15701000	GUIDE	FOR LK-1903A			1
9	MAZ15702000	PRESSURE PLATE	FOR LK-1903A			1
10	MAZ157070BB	LARGE CLAMP JAW LEVER ASM.,R	FOR LK-1903A			1
11	MAZ157070AB	LARGE CLAMP JAW LEVER ASM.,R		*		1
12	MAZ15709000	SPRING,RIGHT		*		1
13	SS7090410SP	SCREW 9/64-40 L= 3.5		*		1
14	MAZ157080BB	LARGE CLAMP JAW LEVER ASM.,L	FOR LK-1903A			1
15	MAZ157080AB	LARGE CLAMP JAW LEVER ASM.,R		*		1
16	MAZ15710000	SPRING,LEFT		*		1
17	SS7090410SP	SCREW 9/64-40 L= 3.5		*		1
18	14149603	GUIDE	FOR LK-1903A			1

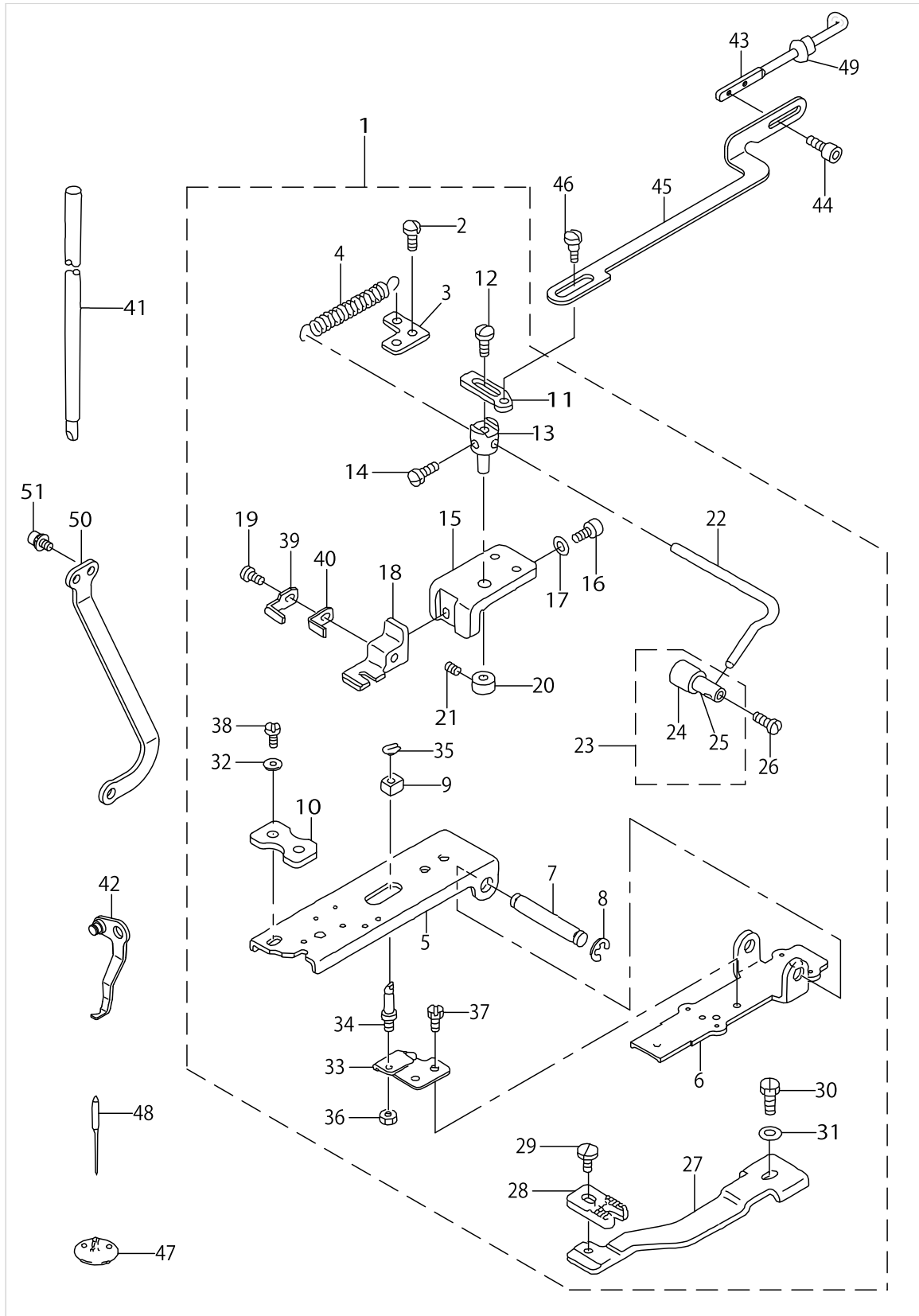
LK-1903A:OPTION COMPONENTS(FOR SHANK BUTTON)



LK-1903A:OPTION COMPONENTS(FOR SHANK BUTTON)

No.	Parts No.	Parts name	Remarks	Level	Cons	Qty
1	14146054	PICK-UP DEVICE COMPL.				1
2	SS7110740TP	SCREW 11/64-40 L=7		*		2
3	MAZ16012000	LEVER SPRING HOOK		*		1
4	MAZ16013000	BUTTON SUPPORT LEVER SPRING		*		1
5	14146203	PICK-UP FOOT INSTALLING BASE		*		1
6	14146104	PICK-UP INSTALLING BASE		*		1
7	14141402	INSTALLING SHAFT		*		1
8	RE0700000K0	E-RING 7		*		2
9	MAZ15515000	SLIDE BLOCK		*		1
10	14146401	PRESSER PLATE		*		1
11	MAZ16014000	BUTTON SUPPORT RELEASE LEVER		*		1
12	SS7110740TP	SCREW 11/64-40 L=7		*		1
13	MAZ16011000	BUTTON SUPPORT LEVER SHAFT		*		1
14	SS7110740TP	SCREW 11/64-40 L=7		*		1
15	MAZ16004000	BUTTON CLAMP BASE		*		1
16	SS6111052TP	SCREW		*		1
17	WP0482086SD	WASHER 4.8X11.5X2		*		1
18	MAZ16005000	BUTTON CLAMP BASE		*		1
19	SS7090510SP	SCREW 9/64-40 L= 4.6		*		1
20	CS0640811SP	THRUST COLLAR D=6.35 W=8		*		1
21	SS8110410TP	SCREW 11/64-40 L= 3.5		*		1
22	MAZ16010000	BUTTON SUPPORT LEVER		*		1
23	MAZ160090A0	BUTTON SUPPORT RUBBER ASM.		*		1
24	MAZ16009000	BUTTON SUPPORT RUBBER		*		1
25	B2406372000	SHANK BUTTON HOLDING CLAMP		*		1
26	SS7110740TP	SCREW 11/64-40 L=7		*		1
27	MAZ16002000	FEED PLATE		*		1
28	MAZ1600300A	FEED PLATE, A		*		1
29	SS6110480SP	SCREW 11/64-40 L=4.3		*		1
30	SS9111010SP	SCREW 11/64-40 L=9.5		*		1
31	WP0482086SD	WASHER 4.8X11.5X2		*		1
32	WP0501016SD	WASHER 5X10.5X1		*		2
33	MAZ15514000	SUPPORT PLATE		*		1
34	13540901	STATIONING BLOCK SHAFT		*		1
35	D2548232D00	SNAP RING, FOR CONNECTING ROD		*		1
36	NS6150310SP	NUT 15/64-28		*		1
37	SS9110460CP	SCREW 11/64-40 L=4		*		2
38	SS9621413SP	SCREW 3/16-32 L=13.5		*		2
39	MAZ16022000	BUTTON CLAMP SUPPORT, FRONT		*		1
40	MAZ16023000	BUTTON CLAMP SUPPORT, REAR		*		1
41	D1401M1YC0A	NEEDLE BAR				1
42	MAZ160170A0	WIPER ASM.				1
43	13810908	MOVING PLATE LINK A				1
44	SS6090612TP	SCREW 9/64-40 L=6				2
45	MAZ16015000	BUTTON SUPPORT LINK				1
46	SD0640321TP	HINGE SCREW D=6.35 H=3.2				1
47	MAZ16021000	NEEDLE HOLE GUIDE				1

LK-1903A:OPTION COMPONENTS(FOR SHANK BUTTON)



LK-1903A:OPTION COMPONENTS(FOR SHANK BUTTON)

No.	Parts No.	Parts name	Remarks	Level	Cons	Qty
48	MTQ300B1400	NEEDLE TQX3 #14				1
49	14148209	BUSHING				1
50	40010103	CONNECTING LINK				1
51	SL6040892TN	BOLT				2

HOW TO MAKE USE OF THIS PARTS LIST

1.Explanation of codes

1)"*"mark.....means this part is changed from the previous parts book.

As to the details of the change, refer to the "List for information of change".

2)"#01".....refer to "Note" explanation at bottom of page.

2.Codes on the "Qty" column

• Each numeral indicates the number of parts required.

• "0.1" and "2.5" indicate the length (in meters) of the respective parts.

3.Parentheses mean that the corresponding part is a subpart that constructs an assembly part.

4.Dotted lines on the Figures indicate assembly parts.

1."注記"欄の記号説明

1) "*"印.....前回のパーツブックに比較して今回変更された部品を意味します。

変更内容は、"変更情報リスト"を参照してください。

2) "#01".....ページ下の"注記"の説明を参照してください。

2.数量欄の数字は、個数を表し、0.1、2.5等の数値は、長さ（単位メートル）を表します。

3.数量欄の（ ）は、組部品を構成している子部品であることを意味します。

4.イラストページの-----枠は、組構成であることを意味します。

NUMERICAL INDEX OF PARTS

PART NO	PAGE	REF NO.	PART NO	PAGE	REF NO.	PART NO	PAGE	REF NO.
10004109	2	47	13541107	48	25	13548706	72	3~7
10108009	6	15	13541404	48	7	13554506	66	28~ 36·65·66·67
10502300	2	46	13541503	48	38	13554803	24	75
11072402	2	27	13541602	48	45	13554803	68	28~ 36·65·66·67
11155108	32	31	13542402	66	2·5·8·11-- 14·17	13561303	66	21
11155207	32	32	13542451	66	1·4·7·10-- 13·16	13561352	66	20
11157559	54	2	13542501	66	3·6·9·12-- 15·18	13561360	66	19
11157658	54	3	13542915	24	61·63·65	13561402	66	25
11157757	54	4	13542915	66	2·5·8·11-- 14·17	13561451	66	24
11157955	54	5	13542915	66	1·4·7·10-- 13·16	13562509	66	22
11158052	54	6	13542964	66	62·64·66	13562608	66	26
11158300	32	8	13543012	24	3·6·9·12-- 15·18	13571906	42	37
11158300	54	7	13543012	66	62·64·66	13571906	66	2·5·8·11-- 14·17
11158409	32	9	13543715	52	50	13571955	66	1·4·7·10-- 13·16
11158409	54	8	13543806	52	54	13572003	42	38
11158508	54	15	13543905	52	59	13572003	66	3·6·9·12-- 15·18
11158516	32	12	13544051	52	63	13573407	42	41
11158607	32	10	13544416	50	47	13573407	66	39
11158607	54	9	13544614	52	49	13705108	2	39
11159001	32	15	13544705	52	61	13786306	50	7
11159001	54	20	13545504	72	3~7	13810908	74	43
12258000	44	37	13545660	72	1·2	13811906	62	58
13508056	54	1	13545801	72	3~7	13812003	62	57
13508700	2	16	13546700	72	3~7	13812102	16	54·70
13508809	2	17	13547005	72	3~7	13812102	42	33
13508908	2	18	13547161	72	1·2	13816608	2	29
13509708	10	36	13548003	66	28~ 36·65·66·67	13816855	2	15
13515606	10	13	13548102	24	61·63·65	13817754	32	14
13516208	22	12	13548102	66	2·5·8·11-- 14·17	13817754	54	17
13517404	22	21	13548151	66	1·4·7·10-- 13·16	13889407	64	6
13518501	24	54	13548201	24	62·64·66	14101208	42	17
13518600	24	61·63·65	13548201	66	3·6·9·12-- 15·18	14103253	14	45~47
13518600	66	2·5·8·11-- 14·17	13548300	24	58·59	14103253	66	47~50
13518659	66	1·4·7·10-- 13·16	13548300	66	37·38	14103352	14	45~47
13518709	24	62·64·66	13548508	66	2·5·8·11-- 14·17	14103352	44	8
13518709	66	3·6·9·12-- 15·18	13548557	66	1·4·7·10-- 13·16	14103352	50	19·20
13518808	24	55	13548607	66	3·6·9·12-- 15·18	14103352	56	25
13529607	14	34				14103352	68	47~50
13533104	24	58·59				14103659	14	45~47
13533104	66	37·38				14103659	50	19·20
13540604	46	48				14103659	68	47~50
13540901	60	13				14103907	14	27
13540901	74	34						

NUMERICAL INDEX OF PARTS

PART NO	PAGE	REF NO.	PART NO	PAGE	REF NO.	PART NO	PAGE	REF NO.
14104004	14	25	14121701	68	56·58·76·77	14148407	60	3
14104400	10	32	14121800	68	57·59·78·79	14148803	64	24
14105407	24	53	14121909	68	56·58·76·77	14148852	64	21
14109607	20	22~24	14122006	68	57·59·78·79	14148902	64	29
14109607	50	26·27	14135305	68	70	14148951	64	27
14109607	66	42~46	14136402	22	37	14149009	60	19
14111504	22	31	14137509	68	69	14149058	60	15
14111702	22	29	14137608	68	68	14149108	60	25
14111801	22	35	14137707	68	73	14149157	60	21
14113450	2	24	14137806	68	72	14149603	72	18
14113468	2	23	14137905	68	75	17007402	32	11
14115554	28	20	14138002	68	74	17007402	54	10
14116107	24	73	14140206	48	35	17845009	34	30
14116107	66	28~ 36·65·66·67	14140255	48	6	17848458	64	11
14116206	24	74	14140354	48	18	22891006	6	28
14116206	66	28~ 36·65·66·67	14140552	48	26	22891006	56	10
14116305	66	28~ 36·65·66·67	14140750	48	33	22891204	6	34
14116404	24	76·77	14140909	48	22	22901409	4	81
14116404	66	28~ 36·65·66·67	14141055	48	13	22902506	2	11
14116503	42	39·40	14141105	48	15	22920508	2	37
14116503	66	28~ 36·65·66·67	14141204	48	31	22921506	18	30
14116602	66	28~ 36·65·66·67	14141402	48	19	22921605	18	40
14116701	66	28~ 36·65·66·67	14141402	60	36	22928808	18	29
14116800	24	76·77	14141402	74	7	22932800	42	2
14116800	68	28~ 36·65·66·67	14141501	48	36	22933006	42	22
14116909	42	39·40	14141758	44	32	22933105	42	23
14116909	68	28~ 36·65·66·67	14142103	44	46	22933204	42	24
14118053	32	3	14143002	50	13	22958458	38	16
14118152	32	4	14145106	60	1	23517501	10	5
14118251	32	5	14145650	60	4·5	23604309	8	57
14120000	66	40	14145858	60	4·5	23630007	14	33
14120109	68	51~55	14146054	74	1	23638109	28	8
14120208	68	51~55	14146104	60	6	23638208	28	10
14120307	68	51~55	14146104	74	6	23638406	28	11
14120406	68	51~55	14146203	60	7	26037200	42	5
14120505	68	51~55	14146203	74	5	26204008	24	51
14121255	68	61	14146302	60	8	26204107	24	52
14121263	68	60	14146401	60	14	26218602	18	31
14121354	68	62	14146401	74	10	26223305	22	14
			14146708	64	19	26260000	4	56
			14146757	64	15	26260109	4	62
			14146807	64	18	26260208	4	63
			14146906	62	56	26260307	4	69
			14148209	76	49	26260406	4	71
			14148407	44	38	26260505	4	73

NUMERICAL INDEX OF PARTS

PART NO	PAGE	REF NO.	PART NO	PAGE	REF NO.	PART NO	PAGE	REF NO.
26260604	4	75	40005664	28	16	40006475	2	1
26260703	4	77	40005664	40	28	40006478	2	3
26260802	4	59	40005677	38	2	40006481	2	10
26260901	4	64	40005677	40	38	40006484	42	3
26261008	4	65	40005691	38	6	40006485	64	5
26261107	4	66	40005692	38	4	40006487	2	7
26261206	4	72	40005693	38	5	40006488	2	8
26261305	4	70	40005694	38	7	40006495	28	6
26261503	4	78	40005695	38	1	40006496	28	7
26261602	4	60	40005695	40	37	40006497	28	9
26261701	4	61	40005697	38	27	40006515	8	65
26315606	20	44~47	40005700	40	1~3	40006516	8	67
26315705	20	44~47	40005701	40	1~3	40006517	6	46
26315804	20	44~47	40005702	40	1~3	40006525	44	39
26315903	20	44~47	40005705	34	14	40006525	50	3
26500009	22	19	40005706	34	27	40006525	56	14
26500306	8	61	40005709	54	30	40006529	6	21
26501403	22	3	40005710	54	34	40006530	6	22
26501502	22	9	40005711	54	33	40006531	6	25
26501858	14	24	40005712	50	12	40006532	6	32
40000029	34	17	40005725	28	18	40006532	56	11
40000029	40	7	40005726	34	36	40006534	6	27
40000046	40	13~15	40005726	40	6	40006534	56	7
40000056	34	19	40005727	34	37	40006535	6	29
40000056	40	13~15	40005727	40	5	40006535	56	8
40003458	36	54	40005728	40	35	40006537	6	33
40003484	34	38	40005728	44	2	40006561	6	16
40003484	40	36	40005729	28	1	40006563	14	11
40003485	34	39	40005729	40	25	40006573	14	18
40005385	38	11	40005730	28	4	40006575	14	37
40005388	40	10~12	40005730	40	22	40006576	14	38
40005390	40	17~21	40005731	28	2	40006577	14	28
40005391	34	32	40005731	40	23	40006578	14	15
40005391	40	10~12	40005732	28	3	40006580	16	66~68
40005392	40	10~12	40005732	40	24	40006580	44	9
40005393	34	34	40005733	28	5	40006580	50	21·22
40005393	40	8	40005733	40	26	40006580	56	26
40005394	34	35	40005734	28	12	40006581	16	66~68
40005394	40	9	40005734	40	27	40006581	50	21·22
40005401	34	23	40005735	54	35	40006617	18	5
40005401	40	16	40005736	54	36	40006622	18	26
40005641	34	13	40005737	54	37	40006625	18	4
40005648	34	12	40005738	54	38	40006628	18	1
40005648	40	4	40005739	54	31	40006628	40	29
40005660	28	17	40005740	54	32	40006661	10	8

NUMERICAL INDEX OF PARTS

PART NO	PAGE	REF NO.	PART NO	PAGE	REF NO.	PART NO	PAGE	REF NO.
40006665	10	20	40006886	32	1	40010471	14	35
40006666	10	14	40006887	54	41	40010473	16	55
40006671	10	24	40006912	40	34	40010474	16	56
40006672	10	31	40006912	44	31	40010475	16	57
40006674	10	34	40006913	44	35	40010477	18	6
40006677	50	16	40006914	46	54	40010478	18	39
40006678	10	46	40006923	56	1	40010479	18	8
40006711	20	1	40006924	56	2	40010482	18	11
40006712	20	6	40006925	56	3	40010486	18	15
40006716	10	9	40006926	56	12	40010487	18	17
40006716	20	9	40006935	48	1	40010490	18	20
40006717	20	11	40006935	60	2	40010492	18	12
40006721	20	26	40006937	56	21	40010495	18	13
40006721	44	14	40008693	10	27	40010497	18	21
40006721	50	29	40009860	56	24	40010498	18	23
40006721	56	29	40010103	76	50	40010500	18	25
40006722	20	18~20	40010404	2	5	40010503	18	27
40006722	44	10	40010405	2	13	40010504	18	28
40006722	50	23·24	40010414	2	31	40010508	18	32
40006723	20	18~20	40010415	6	2	40010509	18	44
40006723	50	23·24	40010416	6	3	40010510	18	33
40006724	20	18~20	40010418	6	8	40010511	18	34
40006725	56	27·28	40010419	6	9	40010512	18	35
40006726	56	27·28	40010421	6	12	40010513	18	36
40006736	22	11	40010423	6	45	40010514	18	37
40006737	22	24	40010429	58	54	40010515	18	38
40006738	22	17	40010434	6	39	40010521	18	41
40006739	22	25	40010435	6	40	40010522	18	42
40006740	22	22	40010436	6	41	40010523	18	43
40006745	24	67	40010437	8	52	40010525	20	12
40006747	24	68	40010438	8	55	40010526	20	16
40006761	26	1	40010439	8	53	40010527	26	20
40006762	26	2	40010440	8	54	40010528	26	21
40006765	26	3	40010441	8	73	40010530	26	26
40006768	26	4	40010442	8	74	40010531	26	30
40006772	26	12	40010443	10	16	40010532	26	34
40006776	26	24	40010451	10	37	40010533	6	44
40006777	26	18	40010455	10	39	40010534	6	43
40006780	26	13	40010457	10	40	40010536	22	7
40006781	26	14	40010458	10	41	40010570	24	71
40006782	26	16	40010458	44	6	40010571	2	35
40006836	16	65	40010464	14	6	40010572	6	1
40006840	16	64	40010467	14	7	40010573	8	69
40006864	26	28	40010469	14	8	40010574	8	75
40006864	40	33	40010470	16	71	40010575	14	13

NUMERICAL INDEX OF PARTS

PART NO	PAGE	REF NO.	PART NO	PAGE	REF NO.	PART NO	PAGE	REF NO.
40010589	26	10	40028015	8	83	40096326	30	17
40010879	16	51·52	40028015	40	39	40096327	30	19
40011152	26	22	40029901	22	1	40096354	30	1
40011511	16	51·52	40029901	40	30	A123050000A	8	63
40011512	16	48·49	40029902	22	5	B1111210D00	42	42
40011902	8	51	40029902	40	31	B1111232000	2	33
40011928	4	79	40029903	10	1	B1114581000	50	1
40011949	44	3	40029903	40	32	B1115210D00	42	43
40011949	56	17	40031136	6	11	B1129210000	2	41
40012127	14	2	40033047	56	22	B1144210000	8	60
40013640	42	13	40033635	64	12	B1212210D00	8	59
40013721	14	4	40036110	42	12	B1229232000	44	43
40013967	18	45	40039013	22	41	B1229232000	50	9
40014963	16	48·49	40039255	22	39	B1411552000	8	70
40014965	16	66~68	40040256	10	6	B1414232000	22	15·46·47
40015800	26	5	40040256	20	4	B141423200A	22	15·46·47
40016077	14	10	40048536	42	1	B141423200B	22	15·46·47
40016194	42	32	40051987	42	4	B1414555000	8	72
40016195	42	11	40052810	64	7	B1657506E00	44	47
40017202	10	42	40055355	34	1	B1806210D00	16	54·70
40021851	68	56·58·76·77	40055356	34	2	B1815210000	14	43
40021852	68	57·59·78·79	40055357	34	3	B1816280000	52	65
40021853	68	56·58·76·77	40083882	10	26	B1817210DAD	68	47~50
40021854	68	57·59·78·79	40083883	24	80	B1820210D00	14	20
40021855	68	80~82	40083884	24	48	B1821210D00	14	21
40021856	68	80~82	40083885	22	45	B1822215P00	14	22
40021857	68	80~82	40085784	30	2	B1828210DAA	16	53·69
40021858	68	83~88	40085785	30	3	B18289800BB	16	53·69
40021859	68	83~88	40085786	30	4	B185351200E	56	19
40021869	68	91	40085787	30	5	B1903552000	6	31
40021870	68	89	40085788	30	6	B1903552000	56	13
40021871	68	92~95	40085789	30	7	B1908505000	6	26
40021872	68	90·96~98	40085790	30	8	B1908505000	56	4
40021873	68	83~88	40085791	30	9	B21012800A0	44	7
40021874	68	92~95	40085792	30	10	B21012800A0	50	17·18
40021875	70	90·96~98	40085793	30	11	B2406372000	74	25
40021876	68	83~88	40085794	30	12	B24142800A0	20	32
40021877	68	92~95	40085795	30	13	B24142800A0	44	20
40021878	70	90·96~98	40085796	30	16	B24142800A0	50	35
40021879	68	83~88	40089365	14	19	B24142800A0	56	37
40021880	70	92~95	40089982	52	51	B24152800A0	20	31
40021881	70	90·96~98	40090010	52	52	B24152800A0	44	19
40021882	68	83~88	40090011	52	66	B24152800A0	50	34
40023831	10	11	40090012	50	46	B24152800A0	56	36
40026818	6	17	40096325	30	14	B2416280000	20	30

NUMERICAL INDEX OF PARTS

PART NO	PAGE	REF NO.	PART NO	PAGE	REF NO.	PART NO	PAGE	REF NO.
B2416280000	44	18	B2548280000	22	43	D2515232D00	48	23
B2416280000	50	33	B2548280000	52	57	D2520232DA0	48	28
B2416280000	56	35	B2548372000	60	37	D2521232DA0	48	29
B2417280000	20	21	B2549280000	22	42	D2527232D00	48	42
B2417280000	44	11	B2549280000	52	56	D2527232D00	62	55
B2417280000	50	25	B2549372000	60	38	D2528232D00	48	43
B2417280000	56	38	B2552372000	60	9	D2529232D00	48	44
B2418280000	20	29	B2553372000	60	39	D2545232D0A	48	10~12
B2418280000	44	17	B2560372000	60	40	D2545232D0B	48	10~12
B2418280000	50	32	B2619372000	56	18	D2545232D0C	48	10~12
B2418280000	56	34	B2707761000	2	21	D2548232D00	62	49
B24212800A0	20	41	B302745000B	46	49	D2548232D00	74	35
B24212800A0	44	29	B3117352000	48	41	D3130M1YC00	60	35
B24212800A0	50	44	B3125012000	62	54	D7133555B00	2	26
B24212800A0	56	33	B3126012000	2	25	D8113555B00	32	17
B242328000A	20	36~40	B3413552000	52	62	D8113555B00	54	22
B242328000A	44	24~28	B8101210AAB	32	6	D8204555D00	32	33
B242328000A	50	39~43	B8105210AAA	32	7	E9567319000	36	53
B242328000A	56	44~48	B81085550A0	32	27	E9607603000	36	52
B242328000B	20	36~40	B81085550A0	54	13	EA9500B0100	14	14
B242328000B	44	24~28	B8153771000	32	16	EA9500B0100	28	22
B242328000B	50	39~43	B8153771000	54	21	EA9500B0100	38	8
B242328000B	56	44~48	B8202205000	42	20	EA9500B0200	28	23
B242328000C	20	36~40	B9113012000	42	25	GAF01007000	8	64
B242328000C	44	24~28	B9121012000	42	19	GCT02906000	42	26~28
B242328000C	50	39~43	B91212200A0	42	18	GPF060600A0	32	19
B242328000C	56	44~48	B9140372000	42	26~28	GPF060600A0	54	18
B242328000D	20	36~40	B9141372000	42	26~28	GPF06080000	32	18
B242328000D	44	24~28	BME03200000	38	10	GPF06080000	54	19
B242328000D	50	39~43	CM100100001	4	82	GPK570010B0	38	32
B242328000D	56	44~48	CM300100401	38	30	GPK570010B0	40	42
B242328000E	20	36~40	CM300200002	2	43	HA004250000	38	26
B242328000E	44	24~28	CM300400601	38	31	HA004250000	40	40
B242328000E	50	39~43	CM301200001	2	45	HD00057000A	10	18
B242328000E	58	44~48	CQ200000000	14	31	HD00057000A	22	33
B2424280000	20	27	CS0640811SP	74	20	HD00057000A	26	32
B2424280000	44	15	D1401M1YC0A	74	41	HD002230000	20	14
B2424280000	50	30	D1405L7AM00	8	76	HD002230000	22	27
B2424280000	56	32	D1405L7AM00	50	4	HF00130315S	38	13~15
B2426280000	20	22~24	D2101L7AMA0	50	17·18	HF0013050P0	38	13~15
B2426280000	44	12	D2426282C00	20	22~24	HF003000200	38	13~15
B2426280000	50	26·27	D2426282C00	66	42~46	HK03461004A	44	33·34
B2426280000	66	42~46	D2426MMCK00	66	42~46	HK034640000	44	33·34
B242628000B	66	42~46	D2511232D00	48	17	HX00150000B	16	61
B2509704000	22	18	D2512232D00	48	16	HX00150000D	14	1

NUMERICAL INDEX OF PARTS

PART NO	PAGE	REF NO.	PART NO	PAGE	REF NO.	PART NO	PAGE	REF NO.
HX0015000K	28	24	MAZ157070BB	72	10	NM6030003SC	18	24
HX00188000D	36	49	MAZ157080AB	72	15	NM6040000SN	2	36
HX003390000	28	26	MAZ157080BB	72	14	NM6040001SP	10	7
HX003390000	34	21	MAZ15709000	72	12	NM6040001SP	20	5
HX004070000	34	29	MAZ15710000	72	16	NM6040003SC	18	18
HX00410000A	34	33	MAZ15801000	56	30-31	NM6050001SE	30	24
HX005110000	36	51	MAZ158070AB	60	28	NM6050001SP	10	22
KM000000480	34	24	MAZ158070BB	60	27	NM6050001SP	20	8
M300451100A	38	12	MAZ158080AB	60	32	NM6060001CP	10	30
M3801476000	34	6	MAZ158080BB	60	31	NM6060001SC	42	35
M4001461000	34	40	MAZ15809000	60	29	NM6060003SC	10	43
M4002461000	34	41	MAZ15810000	60	33	NM6080001SC	34	10
M4004461000	34	42	MAZ16002000	74	27	NM6080002SC	38	24
M4005461000	34	43	MAZ1600300A	74	28	NM6080721SE	32	26
M4007351000	34	44	MAZ16004000	74	15	NM6080721SE	54	29
M4206461000	34	11	MAZ16005000	74	18	NM6120001SE	32	28
M90135900A0	38	33	MAZ16009000	74	24	NM6120003SE	54	14
M90135900A0	40	41	MAZ160090A0	74	23	NS6110310SP	2	28
M90175800A0	38	25	MAZ16010000	74	22	NS6110530SP	48	14
M90175800A0	40	17~21	MAZ16011000	74	13	NS6120480SP	48	32
M90245800A0	40	17~21	MAZ16012000	74	3	NS6150310SP	60	46
M90345800A0	40	17~21	MAZ16013000	74	4	NS6150310SP	74	36
M90355800A0	40	17~21	MAZ16014000	74	11	PD02010000B	46	51
M964051000A	54	39	MAZ16015000	74	45	PS0400142KH	8	62
MAO11532000	38	17	MAZ160170A0	74	42	RC0410415KP	46	53
MAZ15502000	62	50-51	MAZ16021000	74	47	RC0470611KP	10	44
MAZ15507000	60	16	MAZ16022000	74	39	RC0470611KP	58	51
MAZ15507000	64	22	MAZ16023000	74	40	RC0560711KP	4	57
MAZ15508000	60	22	MDP170B1400	56	15	RE0200000K0	26	8
MAZ15508000	64	28	MDP170B1402	64	1~4	RE0300000K0	14	23
MAZ15509000	60	17	MDP170B2100	8	77~79	RE0400000K0	4	58
MAZ15509000	64	23	MDP170B2100	50	5-6	RE0700000K0	48	20
MAZ15510000	60	23	MDP170B2102	42	29~31	RE0700000K0	60	47
MAZ15510000	64	31	MDP170B2102	64	1~4	RE0700000K0	74	8
MAZ15513000	60	10	MDP500B1100	8	77~79	RE0800000K0	6	19
MAZ15514000	60	11	MDP500B1102	42	29~31	RE0900000K0	18	3
MAZ15514000	74	33	MDP500B1400	8	77~79	SB104001600	6	24
MAZ15515000	60	12	MDP500B1400	44	1	SB104001600	56	6
MAZ15515000	74	9	MDP500B1400	50	5-6	SB108002200	6	23
MAZ15516000	62	60	MDP500B1402	42	29~31	SB108002200	56	5
MAZ15601000	56	30-31	MDP500B1402	64	1~4	SB108002300	6	30
MAZ15602000	62	50-51	MDP500B1602	64	1~4	SB108002300	56	9
MAZ15701000	72	8	MTQ300B1400	76	48	SB110002400	10	3
MAZ15702000	72	9	MTSHJ100003	38	19	SB110002400	14	9
MAZ157070AB	72	11	NM3040520SC	34	26	SB120001700	6	7

NUMERICAL INDEX OF PARTS

PART NO	PAGE	REF NO.	PART NO	PAGE	REF NO.	PART NO	PAGE	REF NO.
SB120001800	6	6	SL4031291SC	10	19	SM4041055SP	2	12
SB30700020A	6	35~38	SL4031291SC	22	34	SM4041655SP	22	2
SB30700020B	6	35~38	SL4040681SC	18	46	SM4042055SP	24	81
SB30700020C	6	35~38	SL4040881SC	34	28	SM4050855SP	2	6
SB30700020D	6	35~38	SL4040881SF	28	19	SM4050855SP	28	15
SB30800100A	14	39~42	SL4040891SC	14	62	SM4051405SE	30	23
SB30800100B	14	39~42	SL4040891SC	16	62	SM4051655SP	10	2
SB30800100C	14	39~42	SL4040891SC	34	50	SM4061255SP	2	34
SB30800100D	14	39~42	SL4040891SC	36	50	SM4061255SP	44	40
SD0350156TP	26	25	SL4041091SC	34	31	SM4061255SP	50	2
SD0400266TP	26	9	SL4041281SC	22	28	SM5030501SC	24	72
SD0500091TP	20	42	SL4041291SC	20	15	SM5040655SN	4	67
SD0500091TP	44	30	SL4041681SF	36	48	SM5040855SN	2	80
SD0500091TP	50	45	SL4041691SC	38	29	SM5040855SN	4	80
SD0500091TP	56	40	SL4043591SC	34	25	SM5040855SN	48	46
SD0550181SP	60	42	SL6040892TN	46	50	SM6020350SP	26	15
SD0550271TP	48	30	SL6040892TN	62	59	SM6020450TP	26	19
SD0550301SP	60	43	SL6040892TN	76	51	SM6020460TP	14	44
SD0600206TP	10	35	SL6052592TN	8	56	SM6030500SN	44	41
SD0640216TP	10	45	SL6084092TN	42	9	SM6030500SN	50	8
SD0640216TP	44	44	SL9082091SE	32	13	SM6030500SN	58	50
SD0640216TP	50	10	SL9082091SE	54	16	SM6030502TP	26	27
SD0640216TP	58	52	SM1030601SP	6	13	SM6040602TP	14	3
SD0640321TP	74	46	SM1040650TP	20	43	SM6040602TP	18	14
SD0640391TP	60	41	SM1040650TP	22	26	SM6040650TP	2	38
SD0700406TP	10	23	SM1040650TP	44	45	SM6040650TP	14	63
SD0790606TP	10	29	SM1040650TP	50	11	SM6040650TP	16	63
SD0791271SP	56	20	SM1040650TP	58	53	SM6040650TP	22	32
SD0800327TP	10	21	SM2360110TP	26	6	SM6040650TP	26	11
SD0800327TP	20	7	SM3061052TP	24	78	SM6040802TN	18	9
SD0800406TP	26	23	SM3061052TP	50	14	SM6040802TP	10	17
SD1000406TP	10	33	SM4020600SP	26	17	SM6040802TP	20	13
SD1201506TP	44	5	SM4021201SC	28	13	SM6040802TP	22	40
SK3311601SE	32	34	SM4030455SP	14	29	SM6040802TP	26	31
SK3311601SE	42	21	SM4030601SN	2	44	SM6040860TP	2	42
SK3382001SE	38	28	SM4030601SN	26	35	SM6041050TP	18	16
SK3382001SE	54	40	SM4030801SF	34	45	SM6041150TP	2	20
SK3412001SE	64	14	SM4030855SN	2	30	SM6041150TP	22	8
SK3512001SE	38	18	SM4040655SP	42	6	SM6041150TP	64	9
SK3513201SE	32	2	SM4040655SP	64	8	SM6041200SP	26	29
SL4030681SC	46	52	SM4040855SP	10	47	SM6060550TP	6	20
SL4030881SC	44	36	SM4040855SP	20	17	SM6061200SP	8	49
SL4031081SC	38	9	SM4040855SP	22	36	SM6061202TP	48	4
SL4031081SF	34	15	SM4040855SP	28	25	SM6061202TP	64	13
SL4031091SC	26	33	SM4040855SP	42	7	SM6061250TP	8	84

NUMERICAL INDEX OF PARTS

PART NO	PAGE	REF NO.	PART NO	PAGE	REF NO.	PART NO	PAGE	REF NO.
SM6061802TP	10	28	SS2060310SP	60	26	SS9110543CP	62	52
SM6061802TP	24	69	SS2060310SP	64	32	SS9110920CP	48	21
SM6061802TP	44	42	SS2110930SP	24	56	SS9111010SP	74	30
SM6061802TP	56	16	SS5060310SP	56	23	SS9151120CP	48	8
SM6066002TN	42	34	SS6080340SP	64	20	SS9151120CP	62	61
SM6081252TP	6	47	SS6090612TP	74	44	SS9621413SP	60	44
SM6083002TN	34	7	SS6090670TP	8	71	SS9621413SP	74	38
SM6084002TN	38	20	SS6110430TP	20	33	SV4030601SR	34	47
SM7030550TP	8	80	SS6110430TP	44	21	TA0670604R0	6	14
SM8030412TP	18	7	SS6110430TP	50	36	TA0750704R0	4	48
SM8040302TP	66	71	SS6110430TP	56	42	TA0850604R0	4	49
SM8040302TP	68	71	SS6110480SP	22	38	TA1050504R0	4	50
SM8040310SS	8	68	SS6110480SP	74	29	TA1250406R0	4	51
SM8040802TP	4	76	SS6111052TP	74	16	TA1270502R0	4	52
SM8040802TP	34	46	SS6120940SP	52	60	TA1470704R0	4	53
SM8050402TP	10	15	SS6121212TP	16	50	TA1550902R0	4	54
SM8050502TP	4	74	SS7090410SP	20	28	TA2100904R0	4	55
SM8050512TP	24	49	SS7090410SP	44	16	WP0320500SC	26	7
SM8050592TP	20	2	SS7090410SP	50	31	WP0370316SD	64	16
SM8060602TP	22	10	SS7090410SP	56	43	WP0400516UZ	18	22
SM8060610TP	14	16	SS7090410SP	60	34	WP0430801SC	18	10
SM8060612TP	2	22	SS7090410SP	64	30	WP0450801SD	42	8
SM8060612TP	14	12	SS7090410SP	72	17	WP0450801SD	64	10
SM8060612TP	52	53	SS7090510SP	74	19	WP0450801SP	12	49
SM8060812TP	6	82	SS7090610SP	48	37	WP0450801SP	20	3
SM8060812TP	8	82	SS7110510SP	48	24	WP0450801SP	24	82
SM8060812TP	10	10	SS7110710SP	68	64	WP0450801SP	26	36
SM8060812TP	14	17	SS7110740TP	20	35	WP0450826SC	4	68
SM8060812TP	20	10	SS7110740TP	24	57	WP0450846SP	20	34
SM8060812TP	22	16	SS7110740TP	44	23	WP0450846SP	44	22
SM8061050TP	16	58	SS7110740TP	50	58	WP0450846SP	50	37
SM8061612TP	18	47	SS7110740TP	52	58	WP0450846SP	58	49
SM8480652TP	6	81	SS7110740TP	56	41	WP0480856SP	12	50
SM8480652TP	8	81	SS7110740TP	74	26	WP0482086SD	74	31
SM9061203SE	32	20	SS7120910TP	52	48	WP0501016SD	48	40
SM9061203SE	54	23	SS7151210SP	52	55	WP0501016SD	62	53
SM9061403CP	48	2	SS8080310TP	24	60	WP0501016SD	74	32
SM9082023SE	32	23	SS8110410TP	74	21	WP0531001SC	30	22
SM9082023SE	54	26	SS8150510TP	22	44	WP0612516SD	48	9
SS1060210TP	20	25	SS8150822TP	52	64	WP0612516SD	62	62
SS1060210TP	44	13	SS8660612TP	22	20	WP0621016SD	24	79
SS1060210TP	50	28	SS9090813TP	64	17	WP0621016SD	50	15
SS1060210TP	56	39	SS9110460CP	48	39	WP0651056SH	44	4
SS1110640TP	48	27	SS9110460CP	60	45	WP0651646SC	42	36
SS1110640TP	66	27	SS9110460CP	74	37	WP0671016SE	32	21

NUMERICAL INDEX OF PARTS

PART NO	PAGE	REF NO.
WP0671016SE	54	24
WP0820516SP	8	50
WP0841601SC	34	9
WP0841601SC	38	22
WP0852086SC	38	21
WP0871602SE	32	24
WP0871602SE	54	27
WP1302501SE	32	29
WP1302501SE	54	11
WP1612616SE	30	15
WS0451040KP	68	63
WS0510002KN	30	21
WS0610002KN	42	10
WS0621210KR	32	22
WS0621210KR	54	25
WS0820002KR	34	8
WS0820002KR	38	23
WS0861410KR	32	25
WS0861410KR	54	28
WS1253010KN	32	30
WS1253010KN	54	12