

MODEL : MO-6900G SUBCLASSES

List No : 1365-02

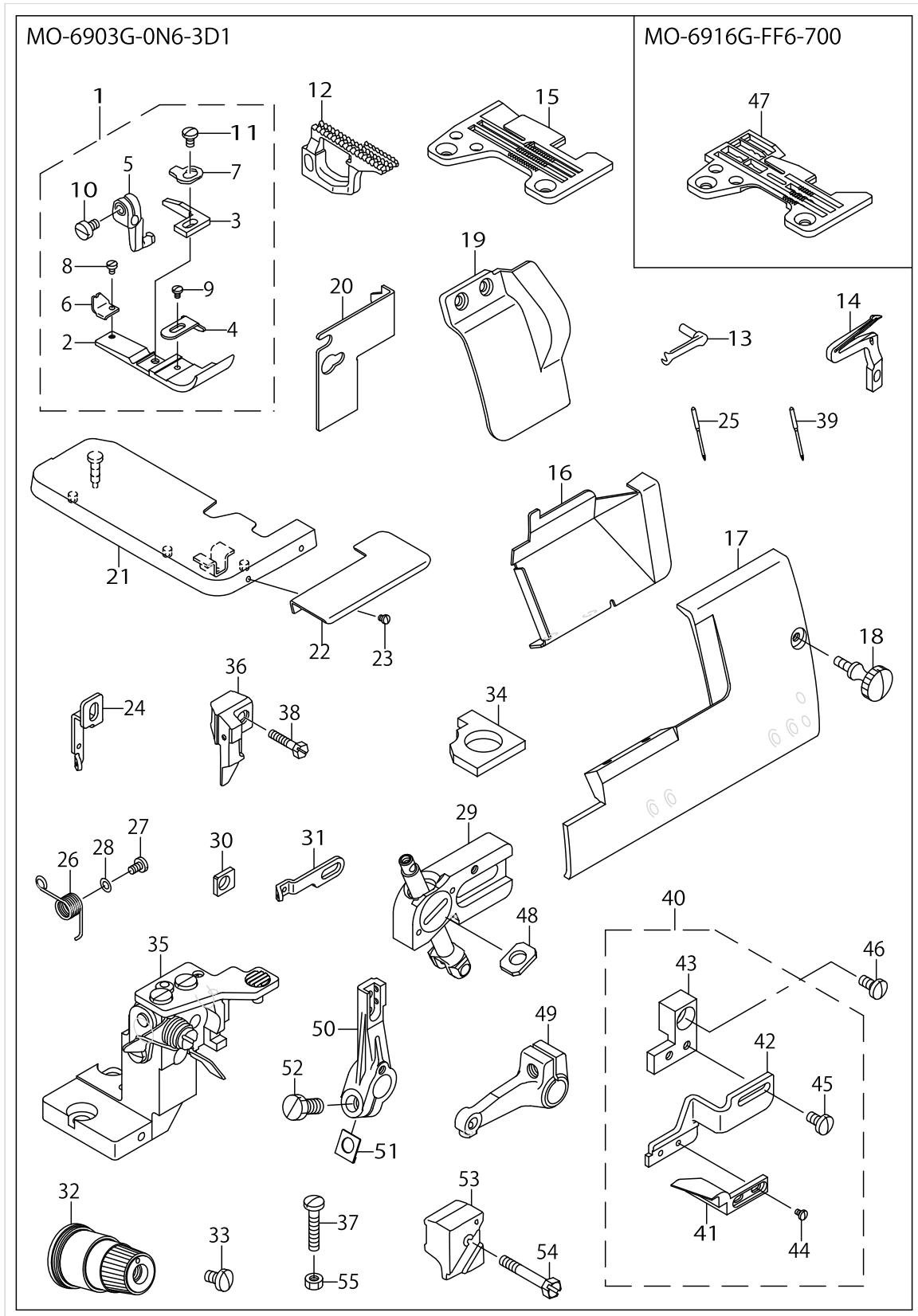
PARTS LIST

Published:09/10/2017

CONTENTS

MO-6900G SUBCLASSES (1).....	1
MO-6900G SUBCLASSES (2).....	5
HOW TO MAKE USE OF THIS PARTS LIST	9

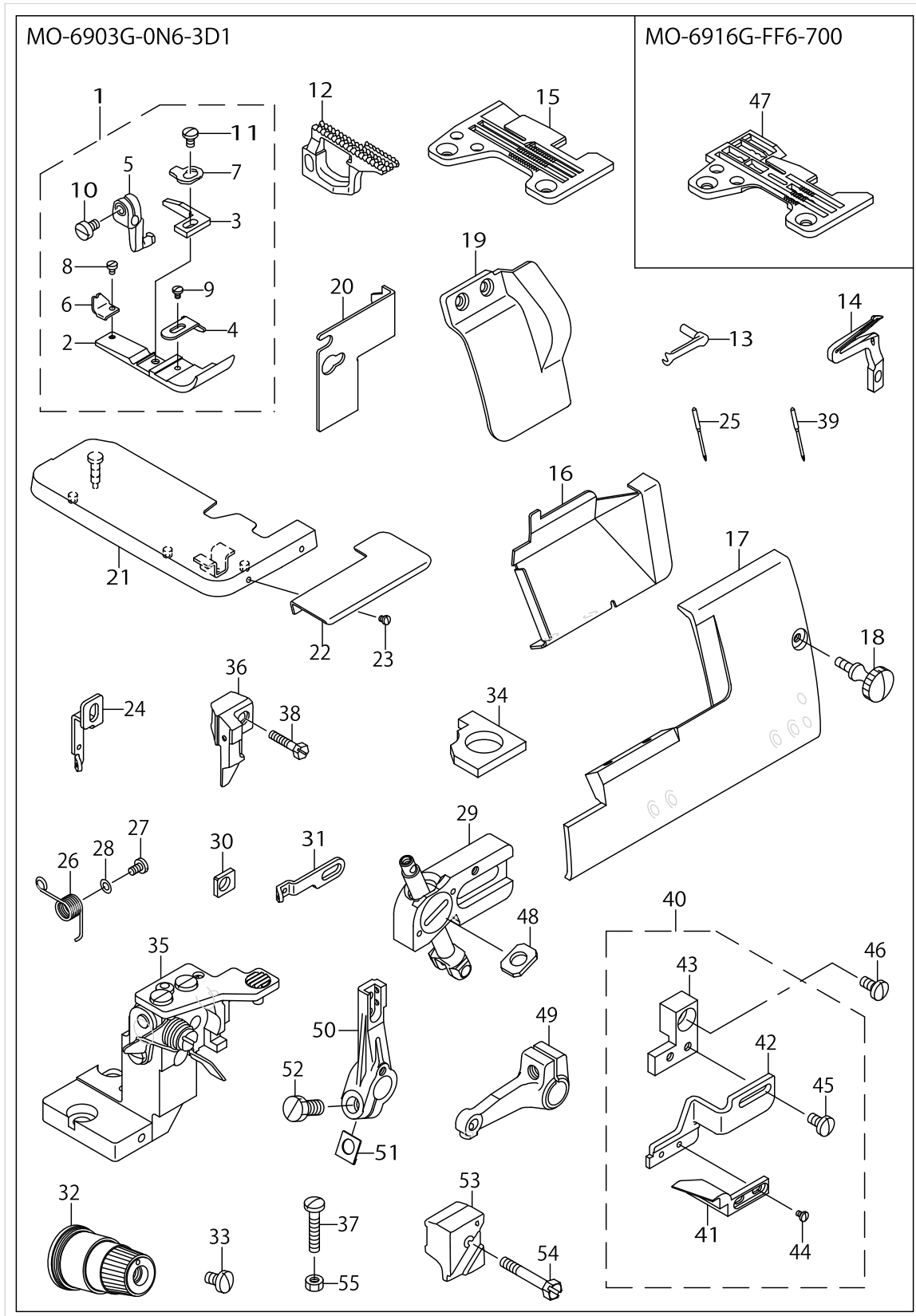
MO-6900G SUBCLASSES (1)



MO-6900G SUBCLASSES (1)

No.	Parts No.	Parts name	Remarks	Level	Cons	Qty
1	12381554	PRESSER FOOT ASM.				1
2	12012704	PRESSER FOOT		*		1
3	12381505	STITCH TONGUE		*		1
4	12012902	CLOTH PRESSER		*		1
5	11651304	PRESSER FOOT HINGE		*		1
6	11693801	REAR PRESSER PLATE		*		1
7	B1508804000	SPRING		*		1
8	SS6060340SP	SCREW 3/32-56 L= 2.5		*		1
9	SS7060310SP	SCREW 3/32-56 L=3		*		1
10	SS6090670TP	SCREW 9/64-40 L=6		*		1
11	SS7080520SP	SCREW 1/8-44 L=4.9		*		1
12	12013504	FEED DOG				1
13	12014817	UPPER HOOK LOOPER				1
14	12384301	LOWER LOOPER				1
15	R4300J6NJ00	NEEDLE PLATE				1
16	12379707	CHIP GUARD COVER				1
17	12371308	LOOPER COVER				1
18	B2549372000	CLAMP SCREW A				1
19	13201306	SAFETY PLATE				1
20	13101605	CLOTH WASTE COVER , LEFT				1
21	13106455	CLOTH PLATE COMPL.				1
22	12006813	CLOTH GUIDE BASE	ACCESSORIES PARTS			1
23	SS7110510SP	SCREW 11/64-40 L=5	ACCESSORIES PARTS			2
24	12372504	NEEDLE THREAD BALANCE GUIDE				1
25	MDO500S1600	DOX5 S #16S				1
26	40023562	TORSION SPRING				1
27	SS7080520SP	SCREW 1/8-44 L=4.9				1
28	WP0320500SD	M3 WASHER				1
29	40026019	GUIDE SUPPORT ASM.				1
30	12375606	GUIDE SUPPORT GAUGE				1
31	12376000	LOOPER BALANCE (RIGHT)				1
32	13138656	THREAD TENSION SPRING COMPL.				2
33	SS7110710SL	SCREW 11/64-40 L=7.0				1
34	13229802	OIL FELT B				1
35	12377586	LOWER KNIFE BRACKET ASM.				1
36	12004800	UPPER KNIFE SUPPORT	EXCEPT JE			1
37	SS7090510SP	SCREW 9/64-40 L= 4.6	FOR JE			1
38	SS6111610SP	SCREW 11/64-40 L=16	EXCEPT JE			1
39	MDO500S1604	NEEDLE DOX5 S #16S-4	ACCESSORIES PARTS			1
40	13244256	SUPPORT CLICK ASM.				1
41	12382107	SUPPORT CLICK		*		1
42	13244306	SUPPORT CLICK BASE		*		1
43	13244405	SUPPORT CLICK FITTING PLATE		*		1
44	SS7060310SP	SCREW 3/32-56 L=3		*		2
45	SS7090710SP	SCREW 9/64-40 L= 6.8		*		2
46	SS7110840SP	SCREW 11/64-40 L=7.8				1
47	R4612J6FL00	NEEDLE PLATE				1

MO-6900G SUBCLASSES (1)

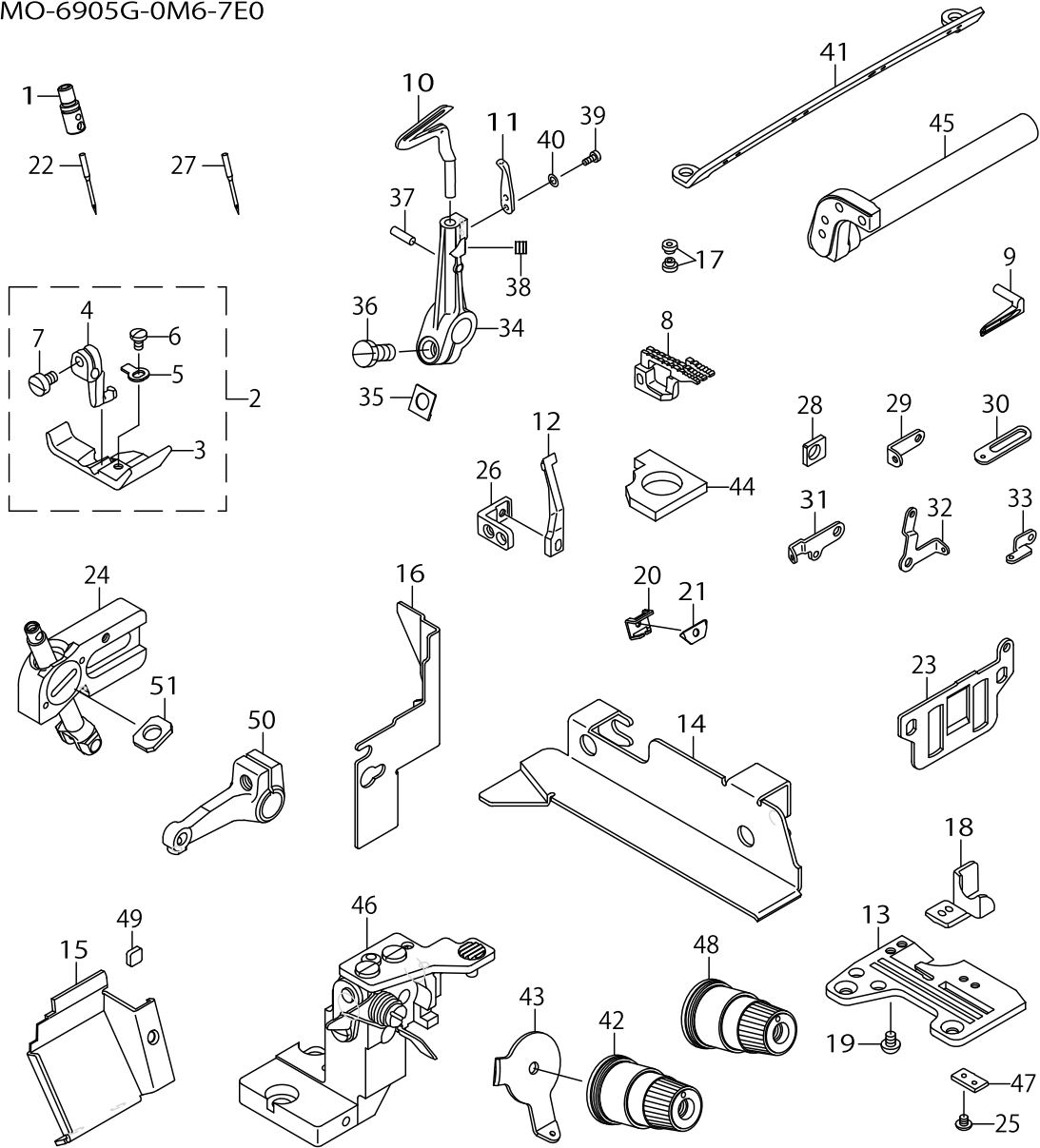


MO-6900G SUBCLASSES (1)

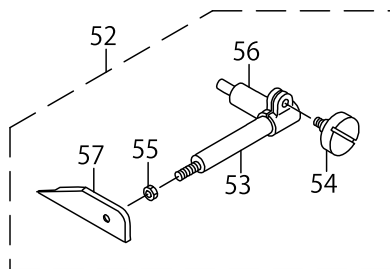
No.	Parts No.	Parts name	Remarks	Level	Cons	Qty
48	40011234	DUST SEALING FELT				1
49	13221205	UPPER LOOPER ARM				1
50	40019571	LOWER LOOPER SUPPORT ARM				1
51	13129309	WASHER				1
52	SS9151210TP	SCREW 15/64-28 L=11.8				1
53	11565405	UPPER KNIFE SUPPORT	FOR JE			1
54	SS9112420TP	SCREW 11/64-40 L=24	FOR JE			1
55	NS6090310TP	NUT	FOR JE			1

MO-6900G SUBCLASSES (2)

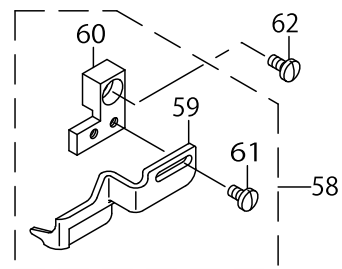
MO-6905G-0M6-700
MO-6905G-0M6-7E0



MO-6905G-0M6-700



MO-6905G-0M6-7E0

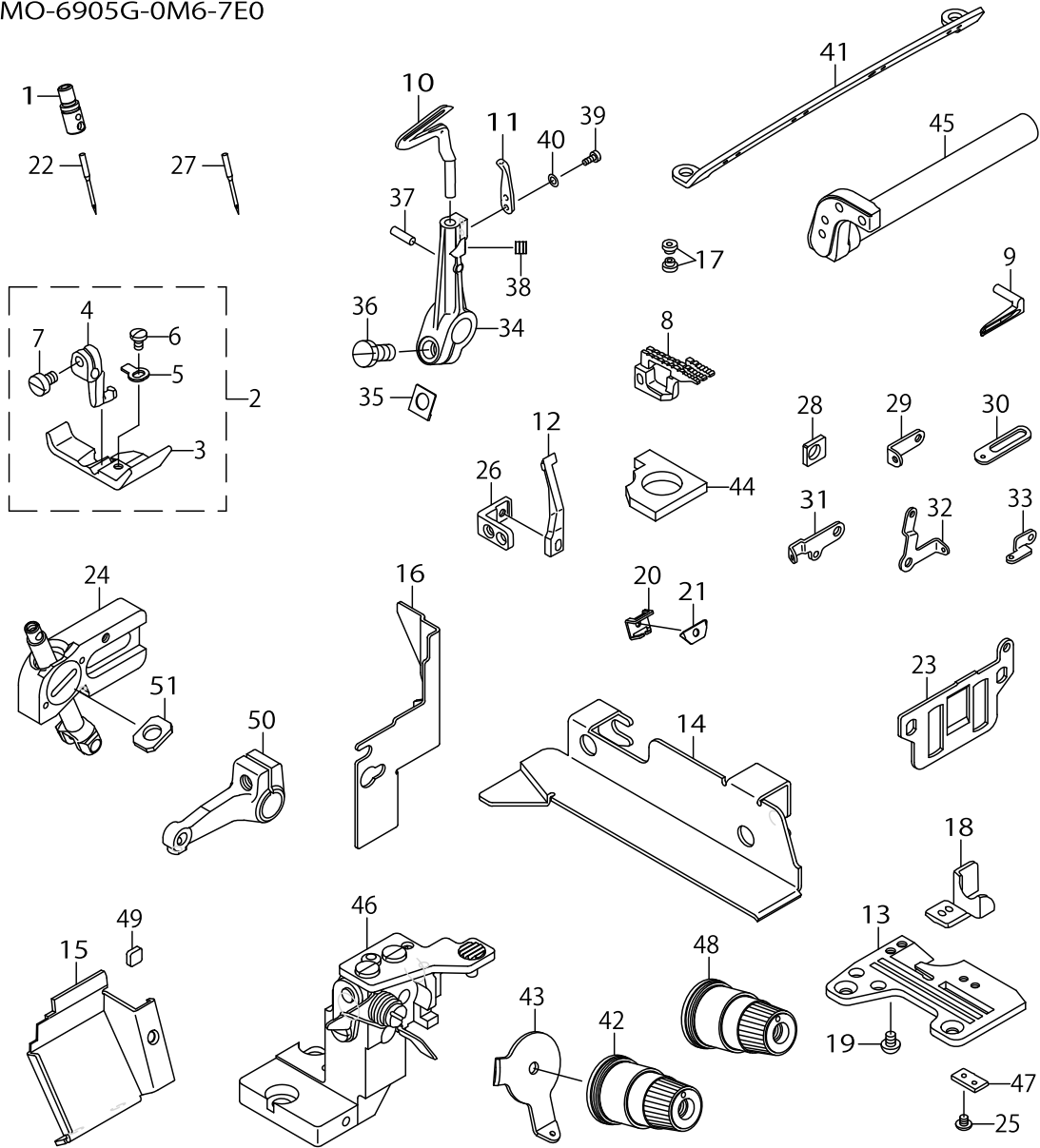


MO-6900G SUBCLASSES (2)

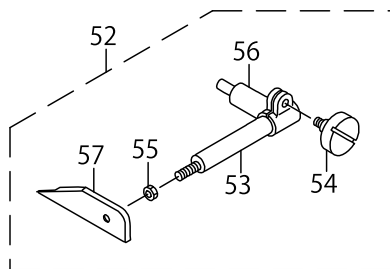
No.	Parts No.	Parts name	Remarks	Level	Cons	Qty
1	13255302	NEEDLE CLAMP, 1-NEEDLE				1
2	12381653	PRESSER FOOT ASM.				1
3	12381604	PRESSER FOOT		*		1
4	11651304	PRESSER FOOT HINGE		*		1
5	B150880400B	SPRING		*		1
6	SS7080520SP	SCREW 1/8-44 L=4.9		*		1
7	SS6090670TP	SCREW 9/64-40 L=6		*		1
8	11681004	FEED DOG				1
9	12383709	UPPER LOOPER				1
10	11544905	LOWER LOOPER				1
11	11566908	TRAVELING NEEDLE GUARD				1
12	11681400	NEEDLE GUARD				1
13	R4300J6MQ00	NEEDLE PLATE				1
14	12371407	CLOTH PLATE SIDE COVER				1
15	13105705	CHIP CUARD COVER				1
16	13105804	CHIP CUARD COVER, LEFT				1
17	YE0450510MB	UPPER LOOPER THREAD GUIDE				2
18	11681715	UPPER LOOPER COVER				1
19	SS3090520SP	SCREW 9/64-40 L=4.5				2
20	13210406	PRESSER THREAD GUIDE				1
21	13210505	NEEDLE THREAD PRESSER PLATE				1
22	MDC100B2400	NEEDLE DCX1 #24				1
23	13217203	NEEDLE THREAD SUPPORT				1
24	40026019	GUIDE SUPPORT ASM.				1
25	SS4080310SP	SCREW 1/8-44 L=3.4				2
26	12008603	NEEDLE GUARD HOLDER				1
27	MDC100B2404	NEEDLE DCX1 #24-4	ACCESSORIES PARTS			1
28	12375606	SUPPORT GAUGE				1
29	12008009	LOOPER THREAD GUIDE				1
30	12008306	LOOPER THREAD GUIDE, RIGHT				1
31	12008108	LOOPER THREAD TAKE-UP, RIGHT				1
32	12008207	LOOPER THREAD TAKE-UP, LEFT				1
33	11691607	UPPER LOOPER THREAD GUIDE				1
34	12375804	LOWER LOOPER SUPPORT ARM				1
35	13129309	WASHER				1
36	SS9151210TP	SCREW 15/64-28 L=11.8				1
37	PS0300102KH	SPRING PIN 3X10				1
38	SS8110422TP	SCREW 11/64-40 L=4				1
39	SS6060510TP	SCREW 3/32-56 L=4.5				2
40	WP0280500SC	WASHER				2
41	13225404	CENTER THREAD GUIDE				1
42	13138656	THREAD TENSION SPRING COMPL.				1
43	13225503	TESION DISK THREAD GUIDE				1
44	13229802	OIL FELT B				1
45	12378600	KNIFE ARM SHAFT				1
46	12377594	LOWER KNIFE BRACKET ASM.				1
47	11681905	NEEDLE GUARD SUPPORT PLATE				1

MO-6900G SUBCLASSES (2)

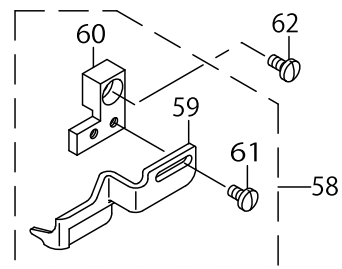
MO-6905G-0M6-700
MO-6905G-0M6-7E0



MO-6905G-0M6-700



MO-6905G-0M6-7E0



MO-6900G SUBCLASSES (2)

No.	Parts No.	Parts name	Remarks	Level	Cons	Qty
48	13140652	THREAD TENSION SPRING COMPL.				1
49	40032602	SPACE PLATE				1
50	13221205	UPPER LOOPER ARM				1
51	40011234	DUST SEALING FELT				1
52	11690450	CLOTH GUIDE ASM.				1
53	11691003	CLOTH GUIDE SHAFT		*		1
54	MAT80110L00	CLAMP SCREW		*		1
55	NS6110310SP	NUT 11/64-40		*		1
56	MAT80109L00	SUPPORTER		*		1
57	11690401	CLOTH GUIDE		*		1
58	13244553	SUPPORT CLICK ASM.				1
59	13244504	SUPPORT CLICK		*		1
60	13244405	SUPPORT CLICK FITTING PLATE		*		1
61	SS7090710SP	SCREW 9/64-40 L= 6.8		*		2
62	SS7110840SP	SCREW 11/64-40 L=7.8				1

HOW TO MAKE USE OF THIS PARTS LIST

1.As to "#01" and "#02" refer to the "Note" given at the bottom of the respective pages.

2.Codes on the "Qty" column

- Each numeral indicates the number of parts required.
- "0.1" and "2.5" indicate the length (in meters) of the respective parts.

3.Parentheses mean that the corresponding part is a subpart that constructs an assembly part.

4.Dotted lines on the Figures indicate assembly parts.

1. リストページの# 0 1、# 0 2の印は、ページ下の"注記"の説明を参照下さい。
2. 数量欄の数字は、個数を表し、0. 1、2. 5等の数値は、長さ（単位メートル）を表します。
3. 数量欄の（ ）は、組部品を構成している子部品であることを意味します。
4. イラストページの-----枠は、組構成であることを意味します。

NUMERICAL INDEX OF PARTS

PART NO	PAGE	REF NO.	PART NO	PAGE	REF NO.	PART NO	PAGE	REF NO.
11544905	6	10	13105804	6	16	R4612J6FL00	2	47
11565405	4	53	13106455	2	21	SS3090520SP	6	19
11566908	6	11	13129309	4	51	SS4080310SP	6	25
11651304	2	5	13129309	6	35	SS6060340SP	2	8
11651304	6	4	13138656	2	32	SS6060510TP	6	39
11681004	6	8	13138656	6	42	SS6090670TP	2	10
11681400	6	12	13140652	8	48	SS6090670TP	6	7
11681715	6	18	13201306	2	19	SS6111610SP	2	38
11681905	6	47	13210406	6	20	SS7060310SP	2	44
11690401	8	57	13210505	6	21	SS7080520SP	2	27
11690450	8	52	13217203	6	23	SS7080520SP	6	6
11691003	8	53	13221205	4	49	SS7090510SP	2	37
11691607	6	33	13221205	8	50	SS7090710SP	2	45
11693801	2	6	13225404	6	41	SS7090710SP	8	61
12004800	2	36	13225503	6	43	SS7110510SP	2	23
12006813	2	22	13229802	2	34	SS7110710SL	2	33
12008009	6	29	13229802	6	44	SS7110840SP	2	46
12008108	6	31	13244256	2	40	SS7110840SP	8	62
12008207	6	32	13244306	2	42	SS8110422TP	6	38
12008306	6	30	13244405	2	43	SS9112420TP	4	54
12008603	6	26	13244405	8	60	SS9151210TP	4	52
12012704	2	2	13244504	8	59	SS9151210TP	6	36
12012902	2	4	13244553	8	58	WP0280500SC	6	40
12013504	2	12	13255302	6	1	WP0320500SD	2	28
12014817	2	13	40011234	4	48	YE0450510MB	6	17
12371308	2	17	40011234	8	51			
12371407	6	14	40019571	4	50			
12372504	2	24	40023562	2	26			
12375606	2	30	40026019	2	29			
12375606	6	28	40026019	6	24			
12375804	6	34	40032602	8	49			
12376000	2	31	B1508804000	2	7			
12377586	2	35	B150880400B	6	5			
12377594	6	46	B2549372000	2	18			
12378600	6	45	MAT80109L00	8	56			
12379707	2	16	MAT80110L00	8	54			
12381505	2	3	MDC100B2400	6	22			
12381554	2	1	MDC100B2404	6	27			
12381604	6	3	MDO500S1600	2	25			
12381653	6	2	MDO500S1604	2	39			
12382107	2	41	NS6090310TP	4	55			
12383709	6	9	NS6110310SP	8	55			
12384301	2	14	PS0300102KH	6	37			
13101605	2	20	R4300J6MQ00	6	13			
13105705	6	15	R4300J6NJ00	2	15			