

MODEL : MO-6904G-0F6/MO-6914G-CH6/MO-6916G-FH6

List No : 1363-06

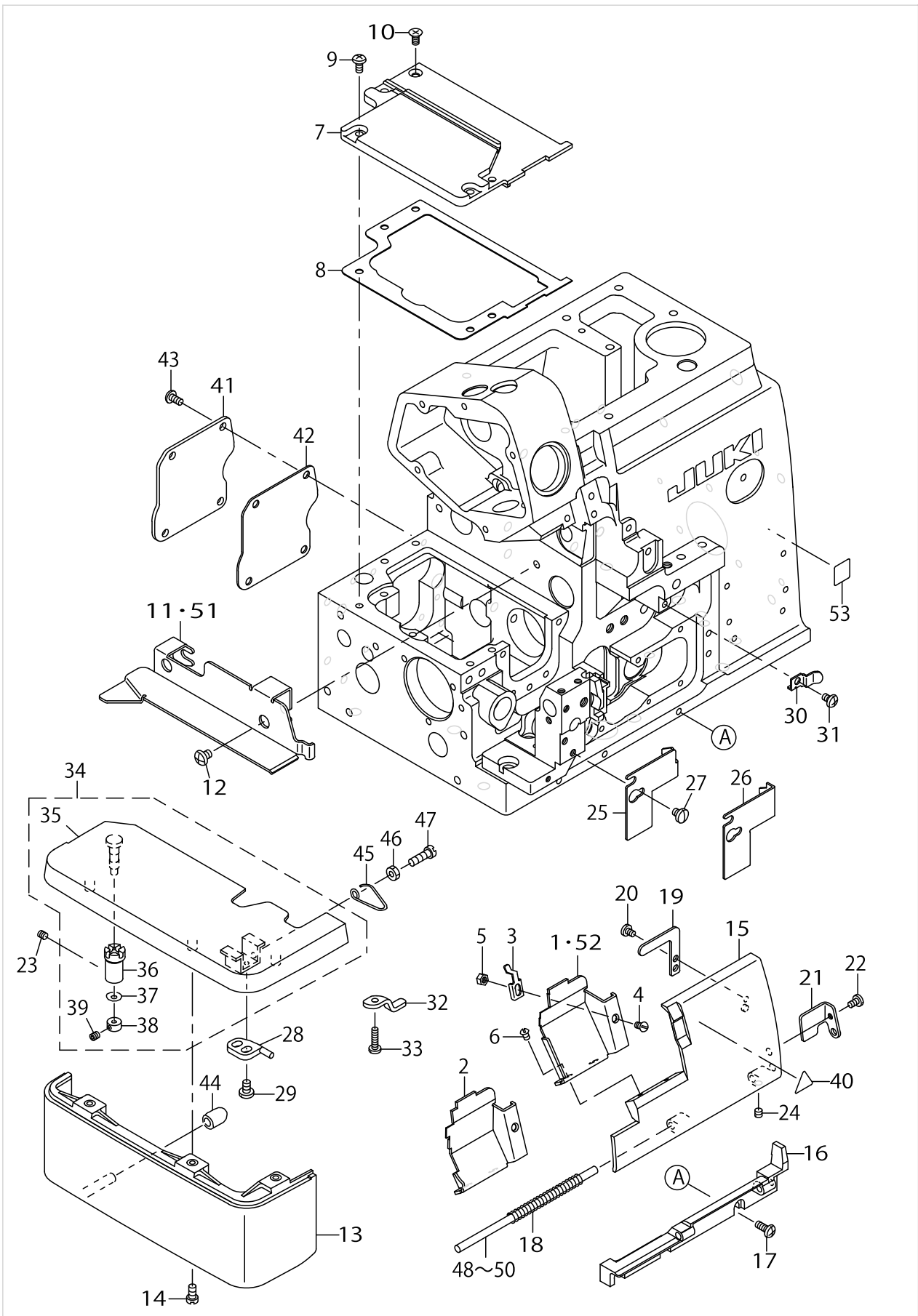
PARTS LIST

Published:09/10/2017

CONTENTS

MISCELLANEOUS COVER COMPONENTS (1).....	1
MISCELLANEOUS COVER COMPONENTS (2).....	5
CRANKSHAFT COMPONENTS	7
NEEDLE DRIVING SHAFT COMPONENTS.....	11
FEED MECHANISM COMPONENTS (1).....	15
FEED MECHANISM COMPONENTS (2).....	17
UPPER & LOWER LOOPER COMPONENTS.....	21
CHAIN LOOPER COMPONENTS (FOR MO-6916G).....	25
PRESSER FOOT COMPONENTS (1).....	27
PRESSER FOOT COMPONENTS (2).....	31
THREAD TENSION COMPONENTS	33
LOWER KNIFE COMPONENTS.....	37
UPPER KNIFE COMPONENTS	41
NEEDLE COOLING MECHANISM COMPONENTS.....	43
LUBRICATION MECHANISM COMPONENTS.....	45
SEMI-SUNKEN TYPE TABLE COMPONENTS.....	49
FULLY-SUNKEN TYPE TABLE COMPONENTS.....	51
STAND COMPONENTS (ZAET).....	53
THREAD STAND COMPONENTS (FOR MO-6904G,MO-6914G).....	55
THREAD STAND COMPONENTS (FOR MO-6916G)	57
SPECIAL ORDER PARTS COMPONENTS.....	59
ACCESSORIES PARTS COMPONENTS	61
LIST FOR INFORMATION OF CHANGE.....	63
HOW TO MAKE USE OF THIS PARTS LIST	64

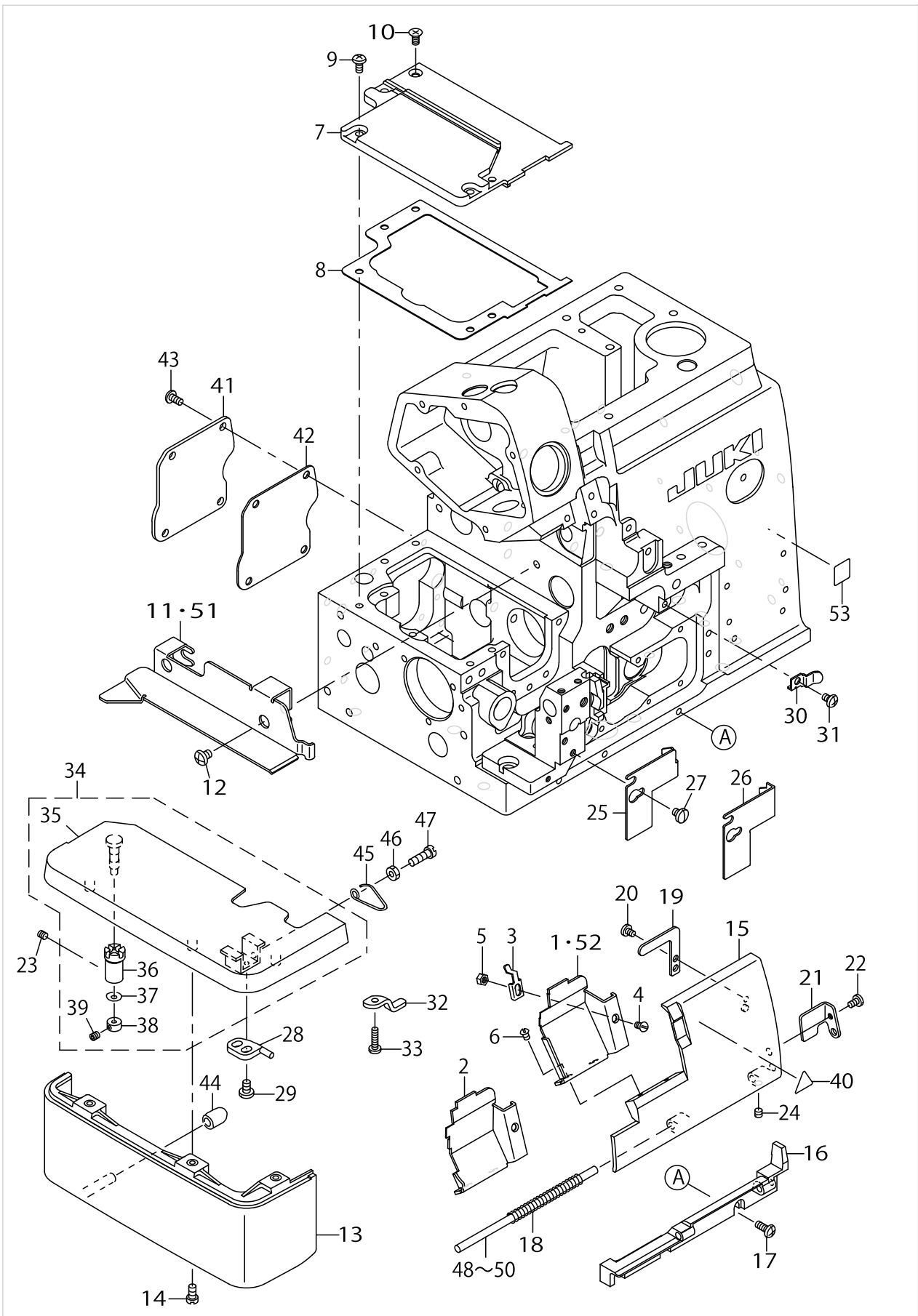
MISCELLANEOUS COVER COMPONENTS (1)



MISCELLANEOUS COVER COMPONENTS (1)

No.	Parts No.	Parts name	Remarks	Level	Cons	Qty
1	13104104	CLOTH WASTE COVER	FOR MO-6904G			1
2	13105507	CLOTH WASTE COVER	FOR MO-6916G			1
3	13102405	CROTH WASTE COVER STOPPER				1
4	SS2090520SL	SCREW 9/64-40 L=5				1
5	NS6090310SN	NUT 9/64-40				1
6	SS3090610SP	SCREW 9/64-40 L=6				2
7	13200704	FEED MECHANISM COVER				1
8	13200803	FEED MECHANISM COVER GASKET				1
9	SM4040855SP	SCREW				4
10	SM1040801SC	SCREW M4X0.7 L=8				1
11	12370201	CLOTH BASE SIDE COVER (OVER)	FOR MO-6904G,MO-6914G			1
12	SS4120615SP	SCREW 3/16-28 L=6				2
13	13103809	CLOTH BASE COVER				1
14	SS4091015SP	SCREW 9/64-40 L=10				2
15	13100904	LOOPER COVER				1
16	13100805	LOOPER COVER BRACKET				1
17	SM4041055SP	SCREW M4 L=10				3
18	13101209	LOOPER COVER SPRING				1
19	13101407	LOOPER COVER PRESSER PLATE				1
20	SS7090530SP	SCREW 9/64-40 L=4.5				1
21	13101001	LOOPER COVER GUIDE PLATE				1
22	SS7090610SP	SCREW 9/64-40 L=6				1
23	SS8110410TP	SCREW 11/64-40 L=3.5				1
24	SS8110410TP	SCREW 11/64-40 L=3.5				1
25	13101506	CLOTH WASTE COVER LEFT	FOR MO-6904G,MO-6914G			1
26	13101605	CLOTH WASTE COVER LEFT	FOR MO-6916G			1
27	SS7110510SP	SCREW 11/64-40 L=5				2
28	13101704	CLOTH BASE SWITCH-TYPE STOPPER				1
29	SS7110710SP	SCREW 11/64-40 L=7				2
30	13101308	LOOPER COVER PRESSER SPRING				1
31	SM4040655SP	SCREW M4 L=6				1
32	13101803	CROTH BASE SUPPORT PLATE				1
33	SS7091410SP	SCREW 9/64-40 L=13.5				1
34	13103650	CLOTH BASE CMPL.				1
35	13102058	CLOTH BASE ASM.		*		1
36	13101902	CLOTH BASE ECCENTRIC BUSHING		*		1
37	WZ0420350KP	DISC SPRING		*		1
38	13172903	CLOTH BASE HINGE SHAFT COLLAR		*		1
39	SM8040302TP	SETSCREW		*		1
40	CM300200001	ATTENTION SEAL				1
41	40102307	ADJUSTING_HOLE_COVER				1
42	13201603	ADJUSTING HOLE COVER GASKET				1
43	SM4040855SP	SCREW				4
44	13104302	CLOTH BASE COVER RUBBER PLUG				1
45	13102207	CLOTH BASE SWITCH-TYPE SPRING				1
46	NS6110420SP	NUT 11/64-40				1
47	SS6111440SP	SCREW 11/64-40 L=14.0				1

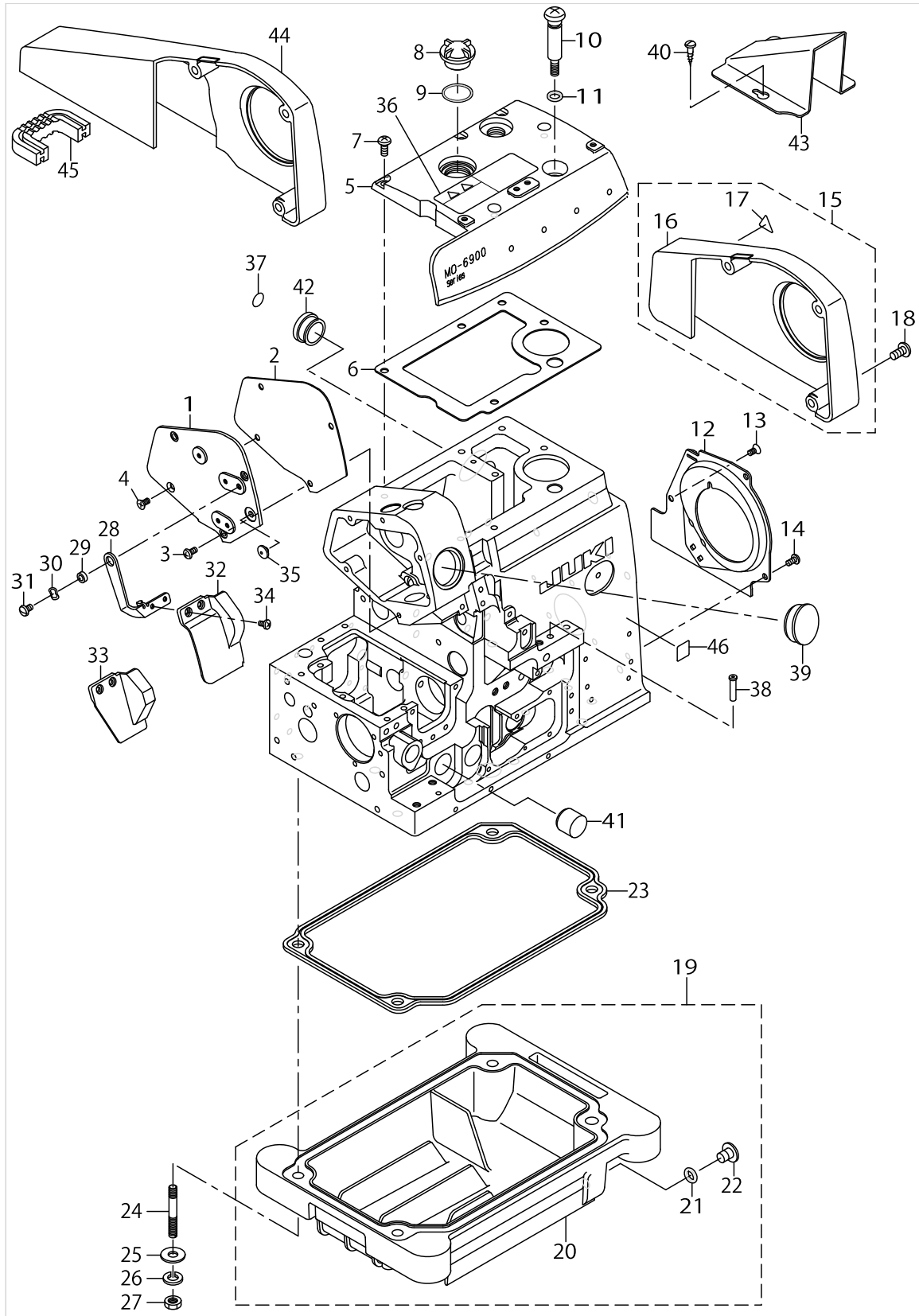
MISCELLANEOUS COVER COMPONENTS (1)



MISCELLANEOUS COVER COMPONENTS (1)

No.	Parts No.	Parts name	Remarks	Level	Cons	Qty
48	13240007	LOOPER COVER HINGE SHAFT A	SELECTIVE PARTS			1
49	13240106	LOOPER COVER HINGE SHAFT B	SELECTIVE PARTS			1
50	13240205	LOOPER COVER HINGE SHAFT C	SELECTIVE PARTS			1
51	12370300	CLOTH BASE SIDE COVER (INTER)	FOR MO-6916G			1
52	31200900	CLOTH WASTE COVER	FOR MO-6914G			1
53	40150131	EAC_MARK_LABEL_S	FOR JE			1

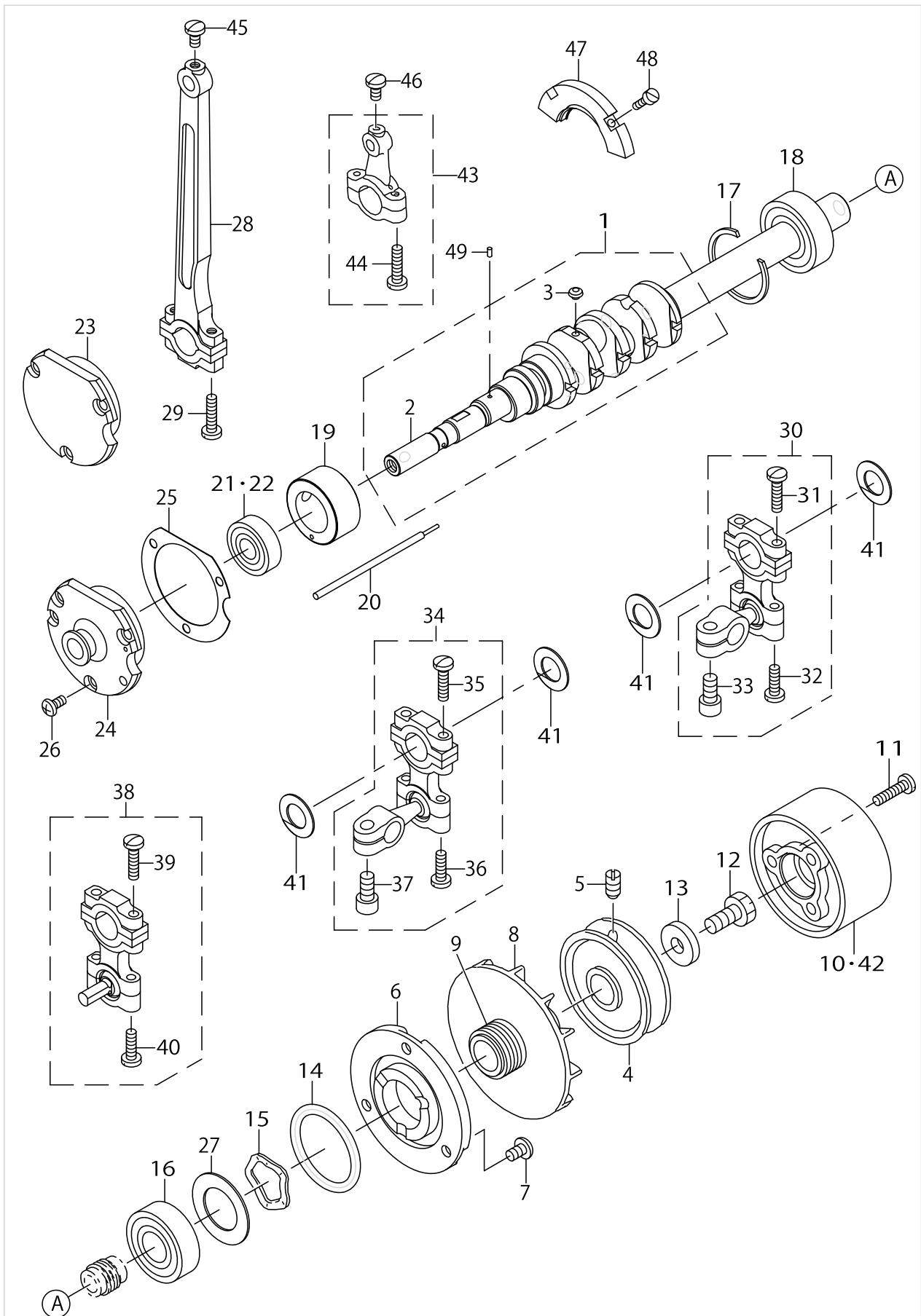
MISCELLANEOUS COVER COMPONENTS (2)



MISCELLANEOUS COVER COMPONENTS (2)

No.	Parts No.	Parts name	Remarks	Level	Cons	Qty
1	13200209	SIDE COVER				1
2	13200308	SIDE COVER GASKET				1
3	SM4040855SP	SCREW				3
4	SM1040801SC	SCREW M4X0.7 L=8				1
5	13200407	UPPER COVER				1
6	13200605	UPPER COVER GASKET				1
7	SM4051255SP	SCREW M5 L=12				5
8	22924708	OIL SIGHT WINDOW				1
9	13170006	RUBBER RING				1
10	13104500	OIL DRAIN SCREW				1
11	13170204	RUBBER RING				1
12	13201009	COOLING FAN PLATE				1
13	SM1040801SC	SCREW M4X0.7 L=8				1
14	SM4040855SP	SCREW				2
15	13201454	BELT COVER ASM.	VARIOUS NOS. FOR DESTINATIONS			1
16	13201405	BELT COVER		*		1
17	CM300200001	ATTENTION SEAL		*		1
18	SS4151215SP	SCREW 15/64-28 L=12				3
19	13102553	OIL RESERVOIR ASM.				1
20	13102504	OIL RESERVOIR		*		1
21	13170105	RUBBER RING		*		1
22	13171004	DRAIN SCREW		*		1
23	13102603	OIL RESERVOIR GASKET				1
24	13103908	SCREW STUD				4
25	WP0751576SD	WASHER 7.5X19X1.5				4
26	WS0822010KP	SPRING WASHER 8.2X15X2				4
27	NS6680410SP	NUT 9/32-28				4
28	13201108	SAFETY PLATE BRACKET				1
29	13104807	SAFETY PLATE BRACKET COLLAR				1
30	WZ0850302K0	WAVED WASHER 8.5X12.5X0.3				1
31	SS5110710SP	SCREW 11/64-40 L=7				1
32	13201306	SAFETY PLATE	FOR MO-6916G			1
33	13201207	SAFETY PLATE	FOR MO-6904G,MO-6914G			1
34	SS7090611SL	SCREW 9/64-40 L=6.1				2
35	13204003	SAFETY PLATE BUSH				1
36	CM301300001	SAFETY LABEL				1
37	22901805	GROUND MARK				1
38	13102900	THREAD GUIDE LARGE				2
39	10753309	WINDOW PLATE RUBBER PLUG				1
40	SK3412001SE	WOOD SCREW D=4.1 L=20	ACCESSORIES PARTS(FOR JE,JUS)			2
41	TA1871602R0	RUBBER PLUG	FOR MO-6904G,MO-6914G			1
42	TA2050805R0	RUBBER PLUG				1
43	13160700	BELT COVER (B)	ACCESSORIES PARTS(FOR JE,JUS)			1
44	40037392	BELT COVER C	VARIOUS NOS. FOR DESTINATIONS			1
45	40040065	VIBRATION PROOF RUBBER	VARIOUS NOS. FOR DESTINATIONS			1
46	CM600100101	WEEE MARK LABEL S	FOR JE			1

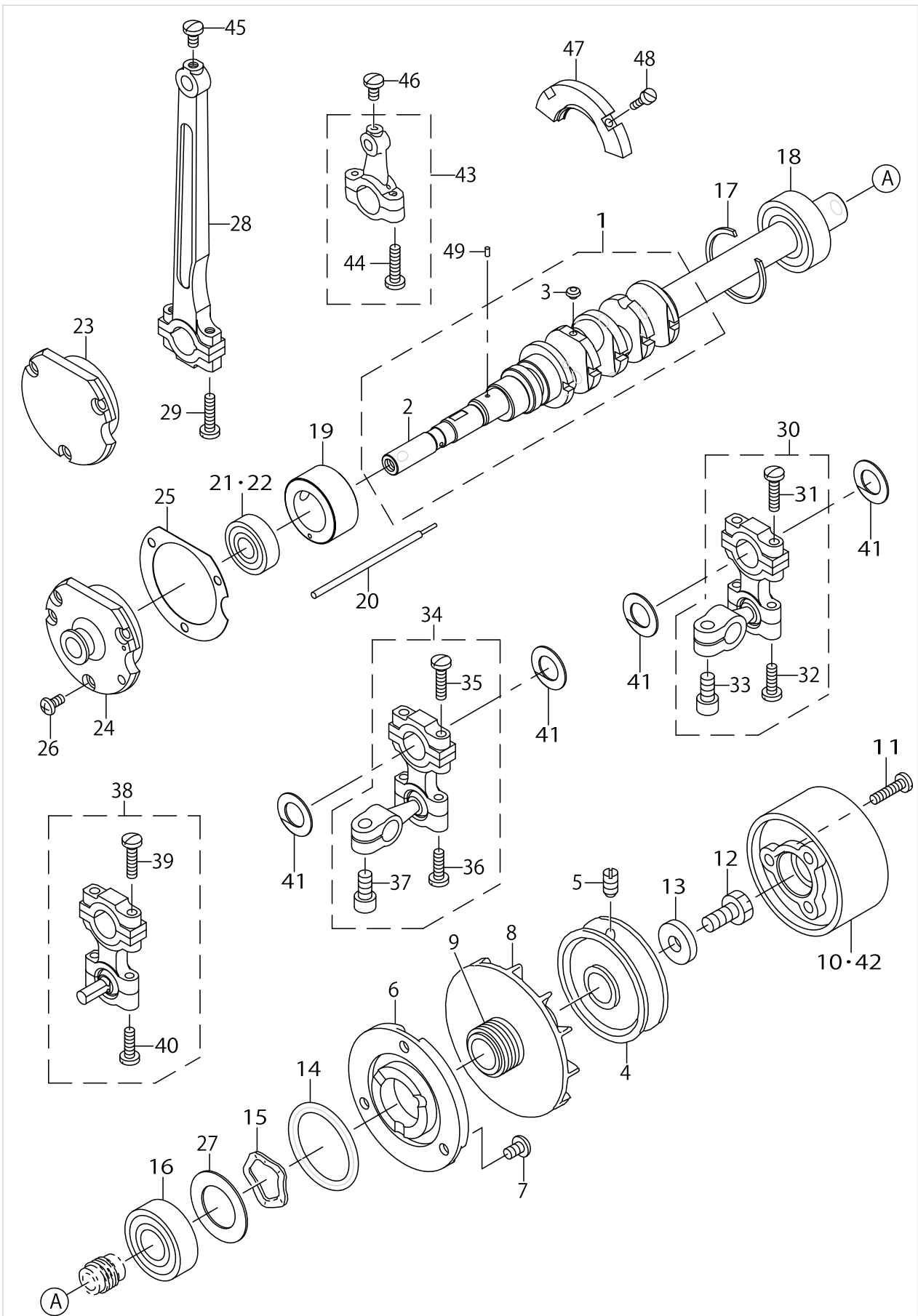
CRANKSHAFT COMPONENTS



CRANKSHAFT COMPONENTS

No.	Parts No.	Parts name	Remarks	Level	Cons	Qty
1	13205554	CRANKSHAFT ASM.				1
2	13205505	CRANKSHAFT		*		1
3	SS5080212TP	SCREW 1/8-44 L=2		*		5
4	12002606	HANDWHEEL A				1
5	SS8151150TP	SCREW 15/64-28 L=10.5				2
6	13107800	THRUST COLLAR				1
7	SM4050855SP	SCREW M5 L=8				3
8	13108402	COOLING FAN				1
9	13108501	CRANKSHFT OIL SHIELD				1
10	12025706	FLYWHEEL (C)	FOR MO-6904G,MO-6916G			1
11	SS7111810TP	SCREW 11/64-40 L=18				3
12	SS9681610TP	SCREW 9/32-28 L=16				1
13	WP0764016SP	WASHER				1
14	13170303	RUBBER RING				1
15	WZ2640310KH	WAVED WASHER 26.4X33.9X3.5				1
16	13108600	CRANKSHAFT BALL BEARING B				1
17	40022239	BEARING RETAINER				1
18	13108600	CRANKSHAFT BALL BEARING B				1
19	13205406	CRANKSHAFT BUSHING C				1
20	13104906	OIL ADJUSTING BAR				1
21	B1215804000	BALL BEARING D	FOR MO-6904G,MO-6914G			1
22	SB110000300	BALL BEARING	FOR MO-6916G			1
23	13108006	CRANKSHAFT BUSHING D	FOR MO-6904G,MO-6914G			1
24	13108105	CRANKSHAFT BUSHING D	FOR MO-6916G			1
25	12108403	CRANKSHAFT BUSHING D GASKET				1
26	SM4040855SP	SCREW				3
27	13108303	BEARING HOLDING PLATE				1
28	12372603	CONNECTING ROD				1
29	SS7111810TP	SCREW 11/64-40 L=18				2
30	12375051	UPPER LOOPER ARM ASM.				1
31	SS7111810TP	SCREW 11/64-40 L=18		*		2
32	SS7111410TP	SCREW 11/64-40 L=14		*		2
33	SM6061202TP	SCREW M6 L=12		*		1
34	12375150	LOWER LOOPER ARM A ASM.	FOR MO-6904G,MO-6914G			1
35	SS7111810TP	SCREW 11/64-40 L=18		*		2
36	SS7111410TP	SCREW 11/64-40 L=14		*		2
37	SM6061202TP	SCREW M6 L=12		*		1
38	12375259	LOWER LOOPER ARM B ASM.	FOR MO-6916G			1
39	SS7111810TP	SCREW 11/64-40 L=18		*		2
40	SS7111410TP	SCREW 11/64-40 L=14		*		2
41	40017824	LOOPER LOD STOPPER				4
42	13107701	HANDWHEEL	FOR MO-6914G			1
43	12132155	KNIFE DRIVING ROD ASM.				1
44	SS7111810TP	SCREW 11/64-40 L=18		*		2
45	SS7110840SP	SCREW 11/64-40 L=7.8				1
46	SS7110840SP	SCREW 11/64-40 L=7.8				1
47	40017714	BALANCER				1

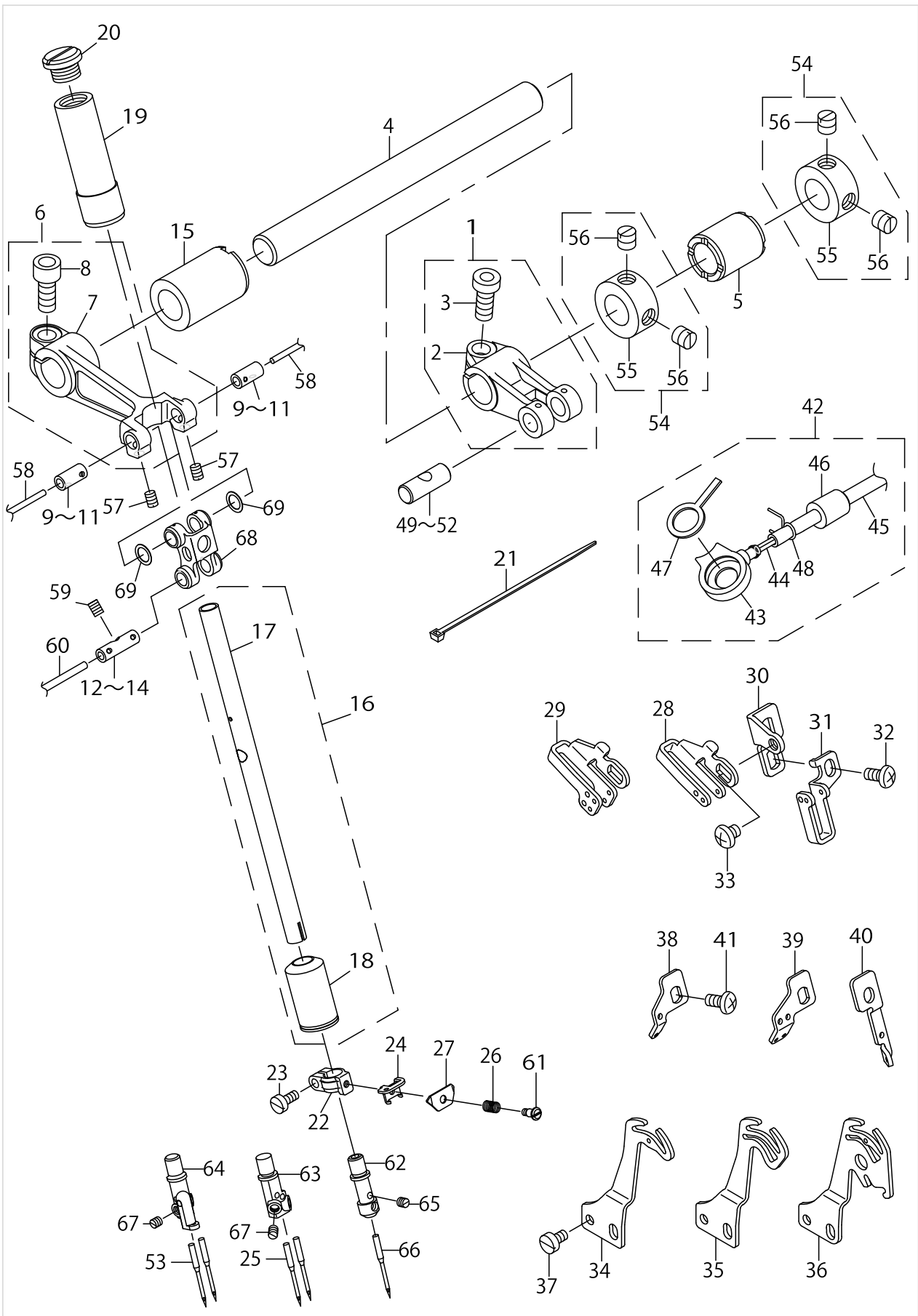
CRANKSHAFT COMPONENTS



CRANKSHAFT COMPONENTS

No.	Parts No.	Parts name	Remarks	Level	Cons	Qty
48	SS6081210TP	SCREW 1/8-44 L=12				2
49	40035711	OIL WICK				1

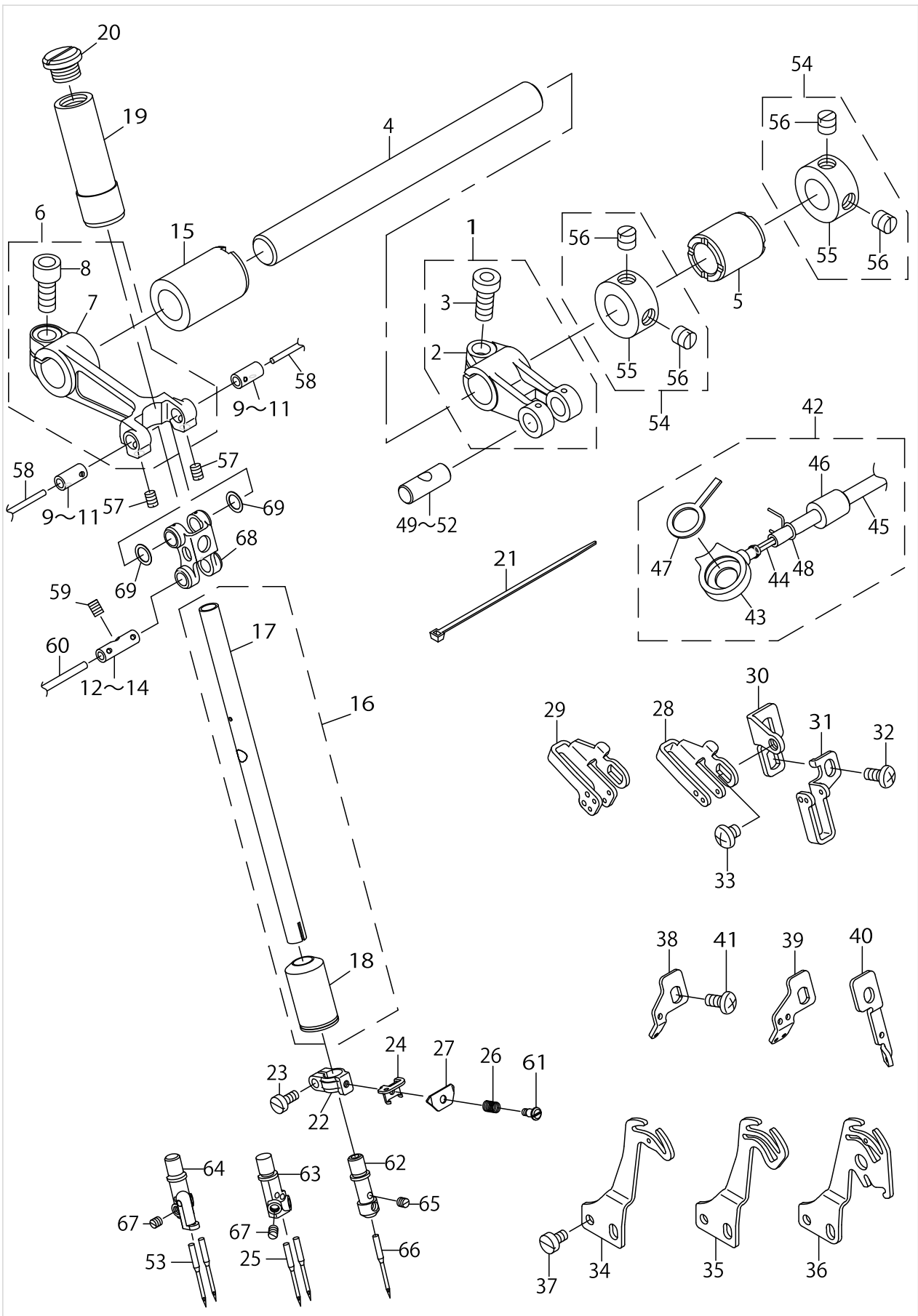
NEEDLE DRIVING SHAFT COMPONENTS



NEEDLE DRIVING SHAFT COMPONENTS

No.	Parts No.	Parts name	Remarks	Level	Cons	Qty
1	13110556	FEED FORKED CRANK ASM.				1
2	13110507	NEEDLE DRIVING BRANCH CRANK		*		1
3	SM6061402TP	SCREW M6 L=14		*		1
4	13110606	NEEDLE DRIVING SHAFT				1
5	12280301	BUSHING REAR				1
6	13207956	NEEDLE DRIVING ARM ASM.				1
7	13207907	NEEDLE DRIVING ARM		*		1
8	SM6061402TP	SCREW M6 L=14		*		1
9	13209101	NEEDLE DRIVING ARM PIN A	SELECTIVE PARTS			2
10	13209200	NEEDLE DRIVING ARM PIN B	SELECTIVE PARTS			2
11	13209309	NEEDLE DRIVING ARM PIN C	SELECTIVE PARTS			2
12	13209408	NEEDLE DRIVING PIN A	SELECTIVE PARTS			1
13	13209507	NEEDLE DRIVING PIN B	SELECTIVE PARTS			1
14	13209606	NEEDLE DRIVING PIN C	SELECTIVE PARTS			1
15	13110002	BUSHING REAR				1
16	13210158	NEEDLE ROD (C) ASM.				1
17	13210109	NEEDLE ROD (C)		*		1
18	13207709	NEEDLE ROD BUSHING LOWER		*		1
19	13207600	NEEDLE HOLDER BUSHING UPPER				1
20	13207808	NEEDLE ROD BUSHING CAP SCREW				1
21	EA9500B0100	CABLE BAND				1
22	12304309	NEEDLE CLAMP HOLDER				1
23	SS6080720SP	SCREW 1/8-44 L=7				1
24	31203201	NEEDLE THREAD PRESSER GUIDE				1
25	MDO500S1800	DOX5 S #18S	FOR MO-6914G			2
26	40014730	NEEDLE THREAD PRESSER SPRING				1
27	31203300	NEEDLE THREAD PRESSER PLATE				1
28	13208806	NEEDLE THREAD GUIDE	FOR MO-6904G,MO-6916G			1
29	13208905	THREAD GUIDE 2-NEEDLE	FOR MO-6914G			1
30	13208707	NEEDLE THREAD GUIDE BASE				1
31	12386603	THREAD GUIDE CHAIN LOOPER	FOR MO-6916G			1
32	SM4040855SP	SCREW				2
33	SS4110515SP	SCREW 11/64-40 L=5				1
34	13111208	NEEDLE THREAD TAKE-UP LEVER	FOR MO-6904G			1
35	13111307	TAKE-UP LEVER 2-NEEDLE	FOR MO-6914G			1
36	12372207	THREAD TAKE-UP LEVER	FOR MO-6916G			1
37	SS6090670TP	SCREW 9/64-40 L=6				2
38	13210208	NEEDLE THREAD BALANCE GUIDE	FOR MO-6904G,MO-6916G			1
39	13210307	TAKE-UP LEVER GUIDE 2-NEEDLE	FOR MO-6914G			1
40	12372405	CHAIN LOOP	FOR MO-6916G			1
41	SM4040855SP	SCREW				1
42	13208459	ONCE THROUGH OIL PIPE ASM.				1
43	13208509	ONCE THROUGH OIL COVER		*		1
44	CQ200000000	OIL WICK		*		0.8
45	23630007	TUBE		*		0.39
46	13244009	ONCE THROUGH OIL PIPE BUSHING		*		1
47	13208608	ONCE THROUGH OIL FELT		*		1

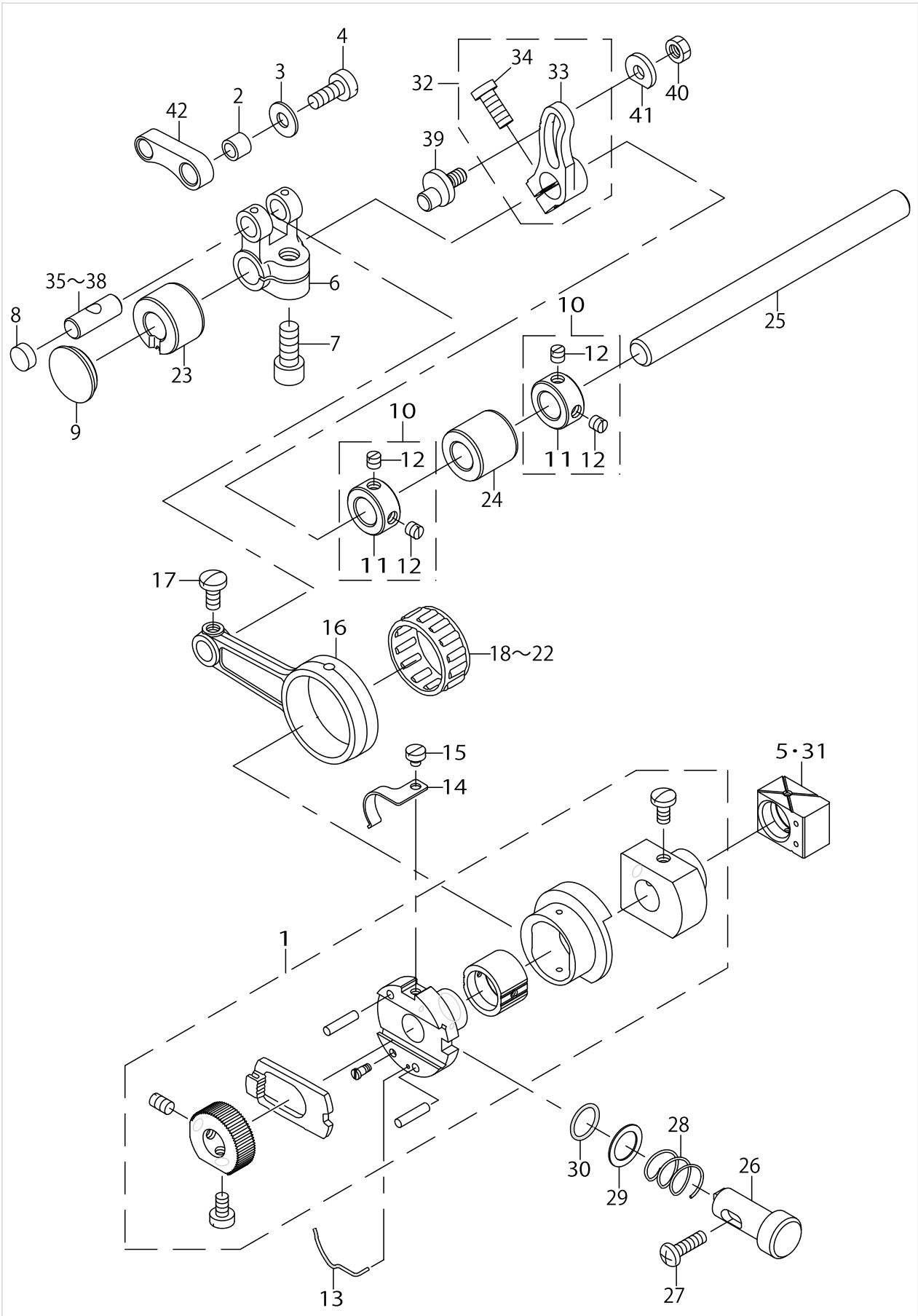
NEEDLE DRIVING SHAFT COMPONENTS



NEEDLE DRIVING SHAFT COMPONENTS

No.	Parts No.	Parts name	Remarks	Level	Cons	Qty
48	13142609	PIPE CLAMP		*		1
49	13122007	FEED BRANCH CRANK PIN A	SELECTIVE PARTS			1
50	13122106	FEED BRANCH CRANK PIN B	SELECTIVE PARTS			1
51	13122205	FEED BRANCH CRANK PIN C	SELECTIVE PARTS			1
52	13122304	FEED BRANCH CRANK PIN D	SELECTIVE PARTS			1
53	MDO500S2100	DOX5 S #21S	FOR MO-6916G			2
54	13172754	THRUST COLLAR ASM.				2
55	13172705	THRUST COLLAR		*		1
56	SS8660610TP	SCREW 1/4-40 L=6		*		2
57	SS8090530TP	SCREW 9/64-40 L=5.0				2
58	CQ202000000	OIL WICK				0.09
59	SS8090530TP	SCREW 9/64-40 L=5.0				1
60	CQ252000000	OIL WICK				0.04
61	40014729	NEEDLE THREAD PRESSER SCREW				1
62	13255005	NEEDLE CLAMP 1-NEEDLE	FOR MO-6904G			1
63	13255104	NEEDLE CLAMP 2-NEEDLE	FOR MO-6914G			1
64	13255203	CHAIN LOOPER NEEDLE CLAMP	FOR MO-6916G			1
65	SS8080310TP	SCREW 1/8-44 L=2.8	FOR MO-6904G			1
66	MDO500S2100	DOX5 S #21S	FOR MO-6904G			1
67	SS8080310TP	SCREW 1/8-44 L=2.8	FOR MO-6914G,MO-6916G			2
68	13208004	NEEDLE DRIVING LINK				1
69	13208103	NEEDLE DRIVING LINK WASHER				2

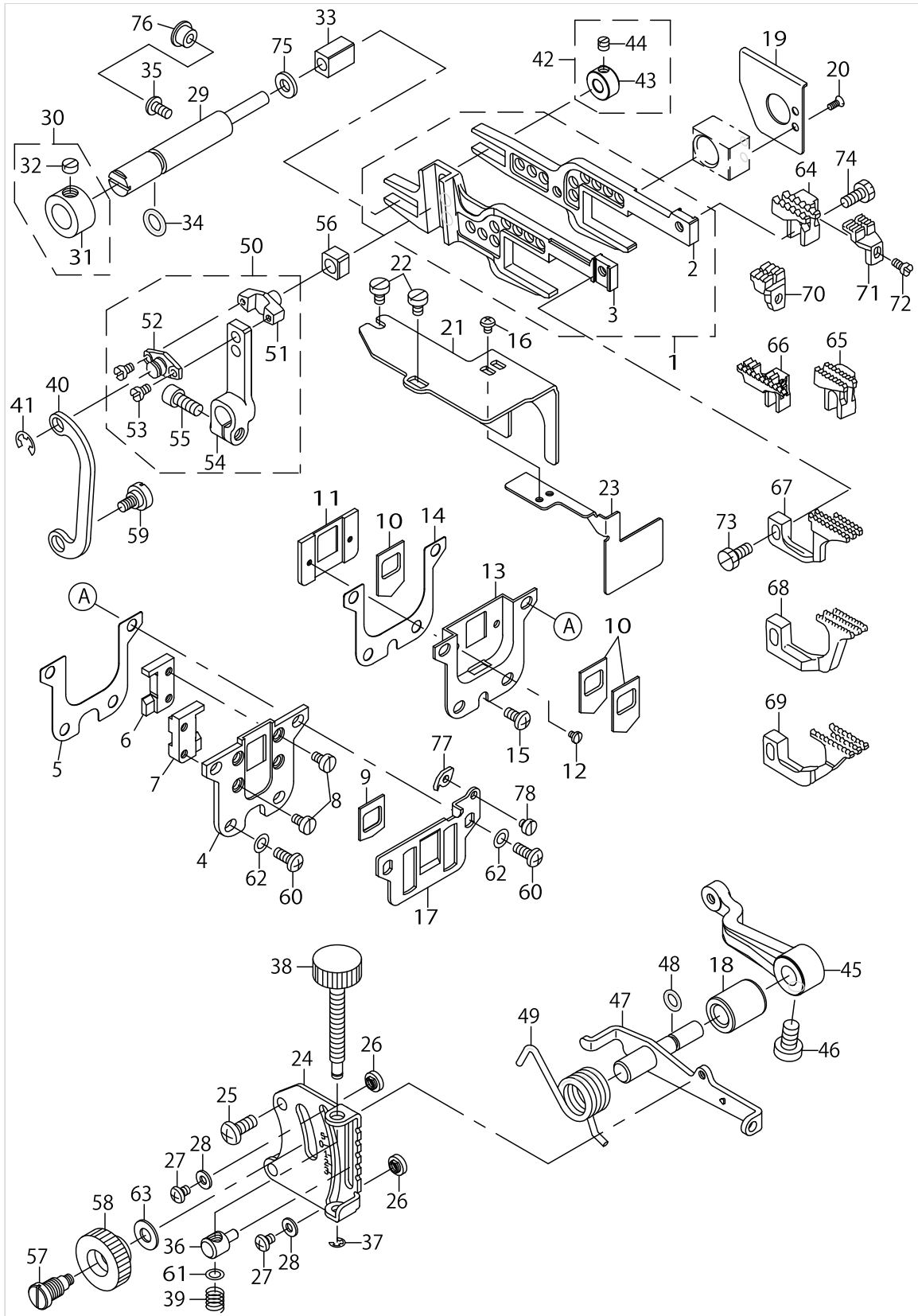
FEED MECHANISM COMPONENTS (1)



FEED MECHANISM COMPONENTS (1)

No.	Parts No.	Parts name	Remarks	Level	Cons	Qty
1	13118054	FEED ECCENTRIC BODY ASM.				1
2	13120506	PIN COLLAR				1
3	13120605	WASHER				1
4	SS6121220TP	SCREW 3/16-28 L=11.5				1
5	13217807	SLIDE BLOCK A	SELECTIVE PARTS			1
6	12119210	FORKED CRANK				1
7	SM6061402TP	SCREW M6 L=14				1
8	TA1030402R0	RUBBER PLUG D=10.3 L=4				1
9	TA2050416R0	RUBBER PLUG				1
10	13172556	FEED SHAFT THRUST COLLAR ASM.				2
11	13172507	FEED SHAFT THRUST COLLAR		*		1
12	SS8110410TP	SCREW 11/64-40 L=3.5		*		2
13	13122502	RATCHET PAWL SPRING				1
14	13119300	RATCHET GEAR SPRING				1
15	SS6080320SP	SCREW 1/8-44 L=2.5				1
16	13118708	FEED CRANK ROD				1
17	SS7110910TP	SCREW 11/64-40 L=8.5				1
18	12116604	NEEDLE BEARING	SELECTIVE PARTS			1
19	12116703	NEEDLE BEARING B	SELECTIVE PARTS			1
20	12116802	NEEDLE BEARING C	SELECTIVE PARTS			1
21	12116901	NEEDLE BEARING D	SELECTIVE PARTS			1
22	12117008	NEEDLE BEARING E	SELECTIVE PARTS			1
23	13119409	FEED SHAFT METAL FRONT				1
24	13119508	FEED SHAFT METAL REAR				1
25	13119607	FEED SHAFT				1
26	13216809	PUSH BUTTON SHAFT				1
27	SM4041455SN	SCREW M4 L=14				1
28	13216601	PUSH BUTTON SPRING				1
29	13216700	PUSH BUTTON SHAFT WASHER				1
30	13244108	RUBBER RING				1
31	13217906	SLIDE BLOCK B	SELECTIVE PARTS			1
32	13119953	MAIN FEED ARM ASM.				1
33	13119904	MAIN FEED ARM		*		1
34	SM6051202TP	SCREW M5X0.8 L=12		*		1
35	13122007	CRANK PIN A	SELECTIVE PARTS			1
36	13122106	CRANK PIN B	SELECTIVE PARTS			1
37	13122205	CRANK PIN C	SELECTIVE PARTS			1
38	13122304	CRANK PIN D	SELECTIVE PARTS			1
39	13119706	MAIN FEED ARM PIN				1
40	NS6620320SP	NUT 3/16-32				1
41	13120001	WASHER B				1
42	13119805	MAIN FEED LINK				1

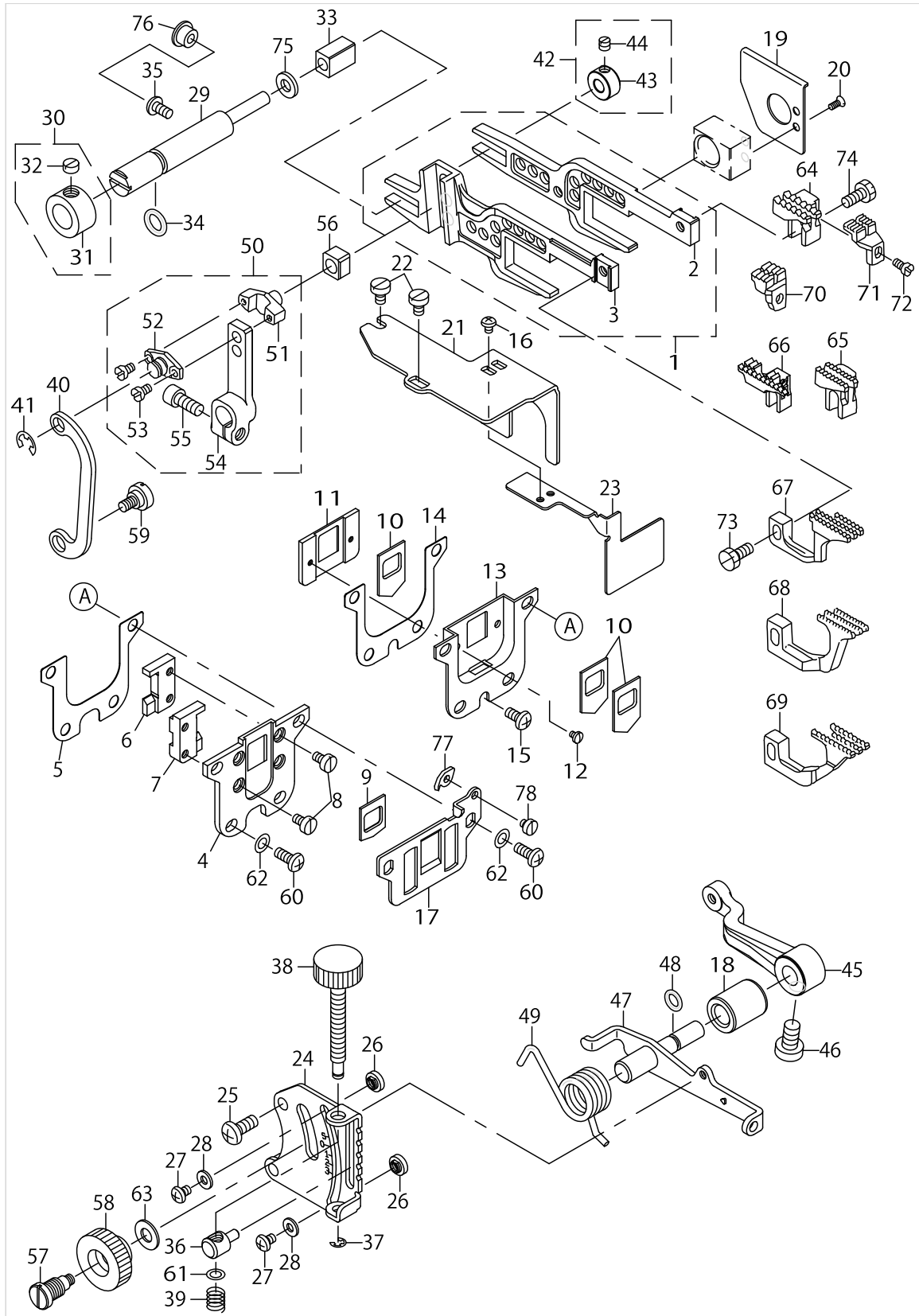
FEED MECHANISM COMPONENTS (2)



FEED MECHANISM COMPONENTS (2)

No.	Parts No.	Parts name	Remarks	Level	Cons	Qty
1	13215157	FEED ROCKER ASM.				1
2	13215108	MAIN FEED BAR		*		1
3	13215207	DIFFERENTIAL FEED BAR		*		1
4	13215306	RUBBER CASE				1
5	13215405	RUBBER CASE GASKET				1
6	13215504	FEED BAR SUPPORT RIGHT				1
7	13215603	FEED BAR SUPPORT LEFT				1
8	SS6090620TP	SCREW				4
9	12118303	DUST-PROOF RUBBER				1
10	70004244	OIL SHIELD RUBBER				3
11	13215702	RUBBER HOLDING PLATE				1
12	SS7060310SP	SCREW 3/32-56 L=3				2
13	13215900	OIL SHIELD CASE				1
14	13216007	OIL SHIELD CASE GASKET				1
15	SM4040855SP	SCREW				1
16	SM4030455SP	SCREW				2
17	13217104	THROAT PLATE SUPPORT				1
18	13122700	ADJUSTING SHAFT METAL				1
19	13216106	OIL SHIELD PLATE				1
20	SS1060610SP	SCREW 3/32-56 L=5.5				2
21	13216205	FEED CAM OIL SHIELD PLATE				1
22	SM6040600SP	SCREW M4 L=6				2
23	13216304	OIL SHIELD PLATE				1
24	13122809	DIFFERENTIAL FEED GRADUATION				1
25	SM4051255SP	SCREW M5 L=12				2
26	13121405	ADJUSTING STOPPER				2
27	SS4090515SP	SCREW 9/64-40 L=5				2
28	WP0371016SD	WASHER 3.7X8X1				2
29	13120902	SUPPORT SHAFT				1
30	13121058	BRUST COLLAR ASM.				1
31	13121009	BRUST COLLAR		*		1
32	SS8660330SP	SCREW 1/4-40 L=3.0		*		1
33	13120803	SLIDE BLOCK				1
34	13170204	RUBBER RING				1
35	SM4040855SP	SCREW				1
36	13217708	DIFFERENTIAL FEED BLOCK				1
37	RE0300000K0	E-RING 3				1
38	13213012	ADJUSTING SCREW				1
39	13123302	DIFFERENTIAL FEED SCREW SPRING				1
40	13121306	ADJUSTING LINK				1
41	RE0500000K0	E-RING 5				1
42	13121256	SUPPORT SHAFT COLLAR ASM.				1
43	13121207	SUPPORT SHAFT COLLAR		*		1
44	SS8110410TP	SCREW 11/64-40 L=3.5		*		1
45	13121900	DIFFERENTIAL FEED ROCKER				1
46	SS6661110SP	SCREW 1/4-40 L=11				1
47	13217351	ROCKER SHAFT ASM.				1

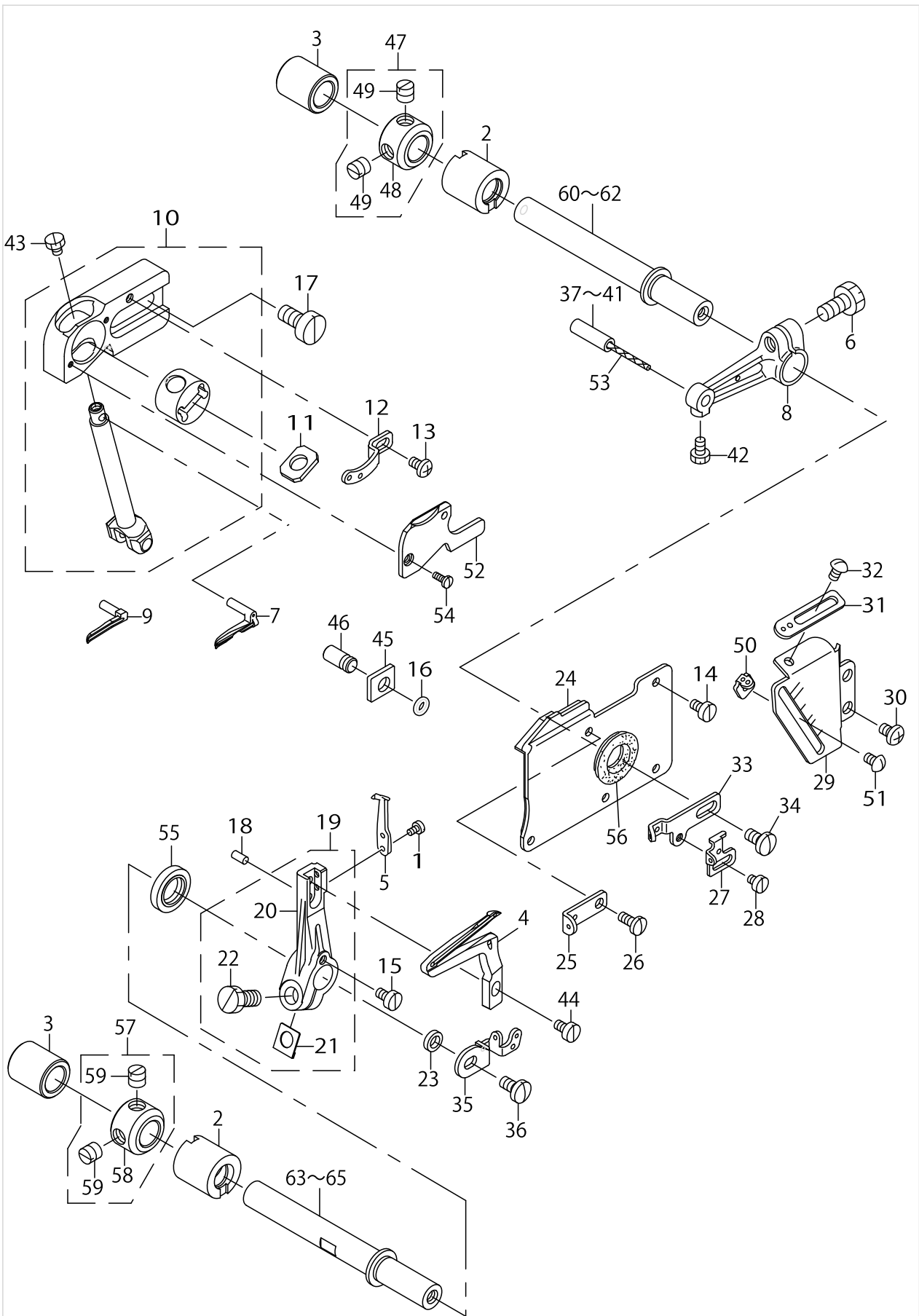
FEED MECHANISM COMPONENTS (2)



FEED MECHANISM COMPONENTS (2)

No.	Parts No.	Parts name	Remarks	Level	Cons	Qty
48	13170501	RUBBER RING				1
49	13121603	ADJUSTING LEVER SPRING				1
50	13218052	DIFFERENTIAL FEED ARM ASM.				1
51	11825304	DIFFERENTIAL FEED PIN		*		1
52	11826401	DIFFERENTIAL FEED PIN COVER		*		1
53	SS6080410SP	SCREW 1/8-44 L=4		*		2
54	13218003	DIFFERENTIAL FEED ARM		*		1
55	SM6051202TP	SCREW M5X0.8 L=12		*		1
56	13218102	SLIDE BLOCK				1
57	13217401	DIFFERENTIAL FEED HINGE SCREW				1
58	13217500	DIFFERENTIAL FEED LOCK NUT				1
59	SD0720271SP	HINGE SCREW D=7.2 H=2.7				1
60	SM4041055SP	SCREW M4 L=10				4
61	WP0460556SD	WASHER 4.6X7.5X0.5				1
62	WP0480856SP	WASHER 4.8X8.4X0.8				4
63	WP0621016SD	WASHER 6.2X13X1				1
64	11701604	MAIN FEED DOG	FOR MO-6904G			1
65	12013306	MAIN FEED DOG	FOR MO-6914G			1
66	12382503	MAIN FEED DOG	FOR MO-6916G			1
67	11700507	DIFFERENTIAL FEED DOG	FOR MO-6904G			1
68	12013405	SUB FEED DOG	FOR MO-6914G			1
69	11528403	DIFFERENTIAL FEED DOG	FOR MO-6916G			1
70	11528502	AUXILIARY FEED DOG	FOR MO-6916G			1
71	11651809	AUXILIARY FEED DOG	FOR MO-6904G,MO-6914G			1
72	SS4080620TP	SCREW 1/8-44 L=6				1
73	SS9111010SP	SCREW 11/64-40 L=9.5				1
74	SS9111050SP	SCREW 11/64-40 L=9.5				1
75	13121108	WASHER				1
76	TA0800504R0	PLUG D=8 L=4.5				1
77	13200902	FEED MECHANISM COVER PRESSER				1
78	SS6080340SP	SCREW 1/8-44 L=2.9				1

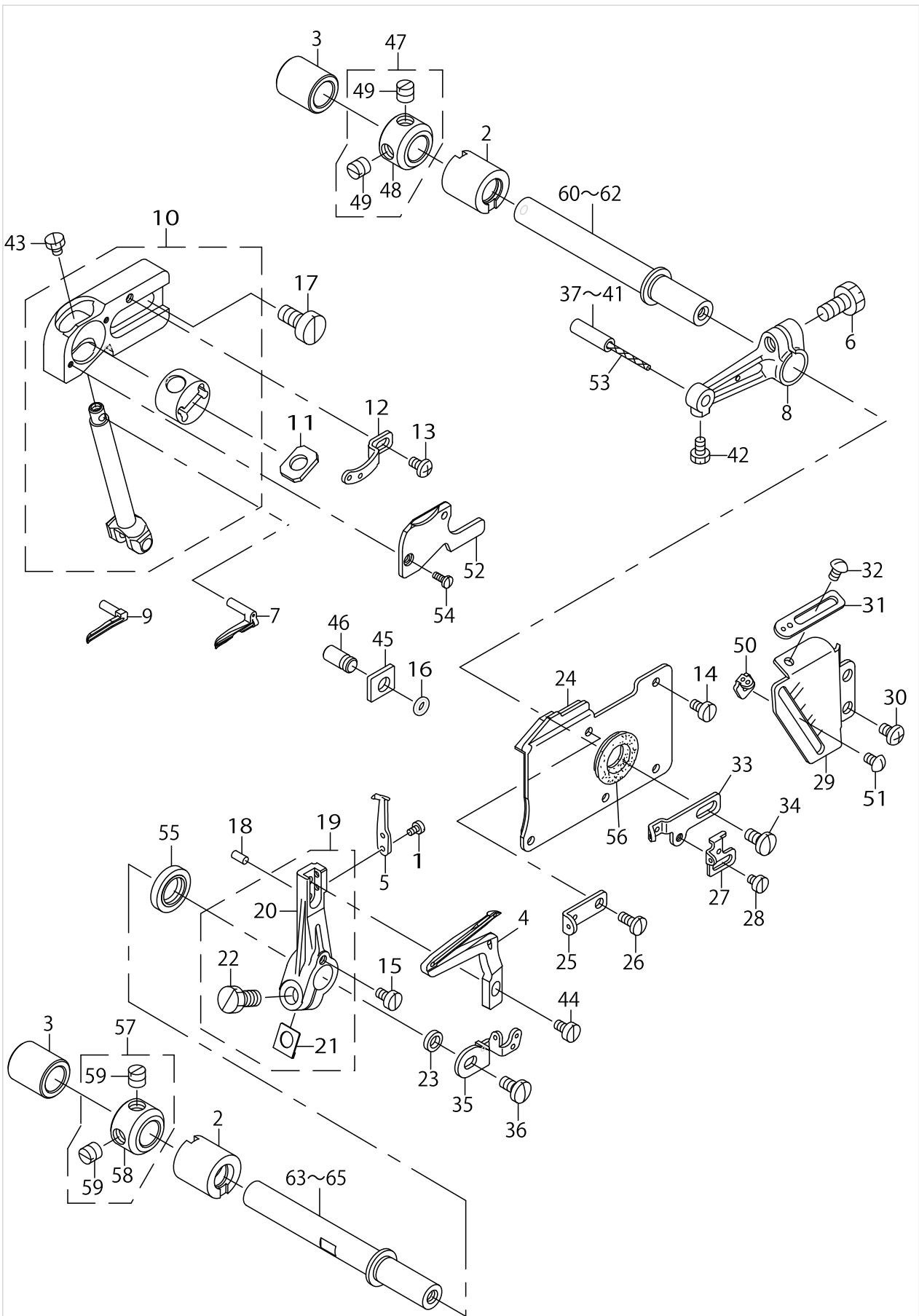
UPPER & LOWER LOOPER COMPONENTS



UPPER & LOWER LOOPER COMPONENTS

No.	Parts No.	Parts name	Remarks	Level	Cons	Qty
1	SS6060440TP	SCREW 3/32-56 L=3.5				2
2	13222609	LOOPER SHAFT FRONT BUSHING				2
3	13222708	LOOPER SHAFT REAR BUSHING				2
4	12384202	LOWER LOOPER				1
5	11890001	TRAVELING NEEDLE GUARD				1
6	SS9151210TP	SCREW 15/64-28 L=11.8				1
7	12383600	UPPER LOOPER	FOR MO-6914G			1
8	13221304	UPPER LOOPER ARM				1
9	12383501	UPPER LOOPER	FOR MO-6904G,MO-6916G			1
10	40026021	GUIDE SUPPORT ASM.				1
11	40011234	DUST SEALING FELT				1
12	12340501	THREAD GUIDE UPPER				1
13	SS4090615SP	SCREW 9/64-40 L=6				1
14	SS6090630TP	SCREW 9/64-40 L=6				4
15	SS6090630TP	SCREW 9/64-40 L=6				1
16	13170600	RUBBER RING				1
17	SM6061200SP	SCREW M6 L=12				2
18	PS0300062KH	SPRING PIN 3X6				1
19	40059766	LOWER LOOPER SUPPORT ARM ASM.				1
20	40059765	LOWER LOOPER SUPPORT ARM		*		1
21	13129309	WASHER		*		1
22	SS9151210TP	SCREW 15/64-28 L=11.8		*		1
23	13132600	COLLAR				1
24	12375952	OIL SHIELD ASM.				1
25	12340600	UPPER LOOPER THREAD GUIDE				1
26	SS7090850SP	SCREW 9/64-40 L=8				1
27	12340709	LOWER LOOPER THREAD TAKE-UP				1
28	SS6080410SP	SCREW 1/8-44 L=4				1
29	13222401	LOOPER THREAD TAKE-UP COVER				1
30	SM4040655SP	SCREW M4 L=6				2
31	12340303	THREAD GUIDE RIGHT				1
32	SS3090610SP	SCREW 9/64-40 L=6				1
33	12340402	THREAD TAKE-UP RIGHT				1
34	SS7110840SP	SCREW 11/64-40 L=7.8				1
35	12375705	LOOPER THREAD TAKE-UP LEFT				1
36	SS7110840SP	SCREW 11/64-40 L=7.8				1
37	B1422804A00	PIN (A)	SELECTIVE PARTS			1
38	B1422804B00	PIN (B)	SELECTIVE PARTS			1
39	B1422804C00	PIN (C)	SELECTIVE PARTS			1
40	B1422804D00	PIN (D)	SELECTIVE PARTS			1
41	B1422804E00	PIN(E)	SELECTIVE PARTS			1
42	SS9090610TP	SCREW 9/64-40 L=5.5				1
43	SS9090410TP	SCREW				1
44	SS6090620TP	SCREW				1
45	11545100	GAUGE				1
46	13131800	GAUGE FIXING PIN				1
47	CS1031210SH	THRUST COLLAR ASM. D=10.32 W=12	FOR MO-6904G,MO-6914G			2

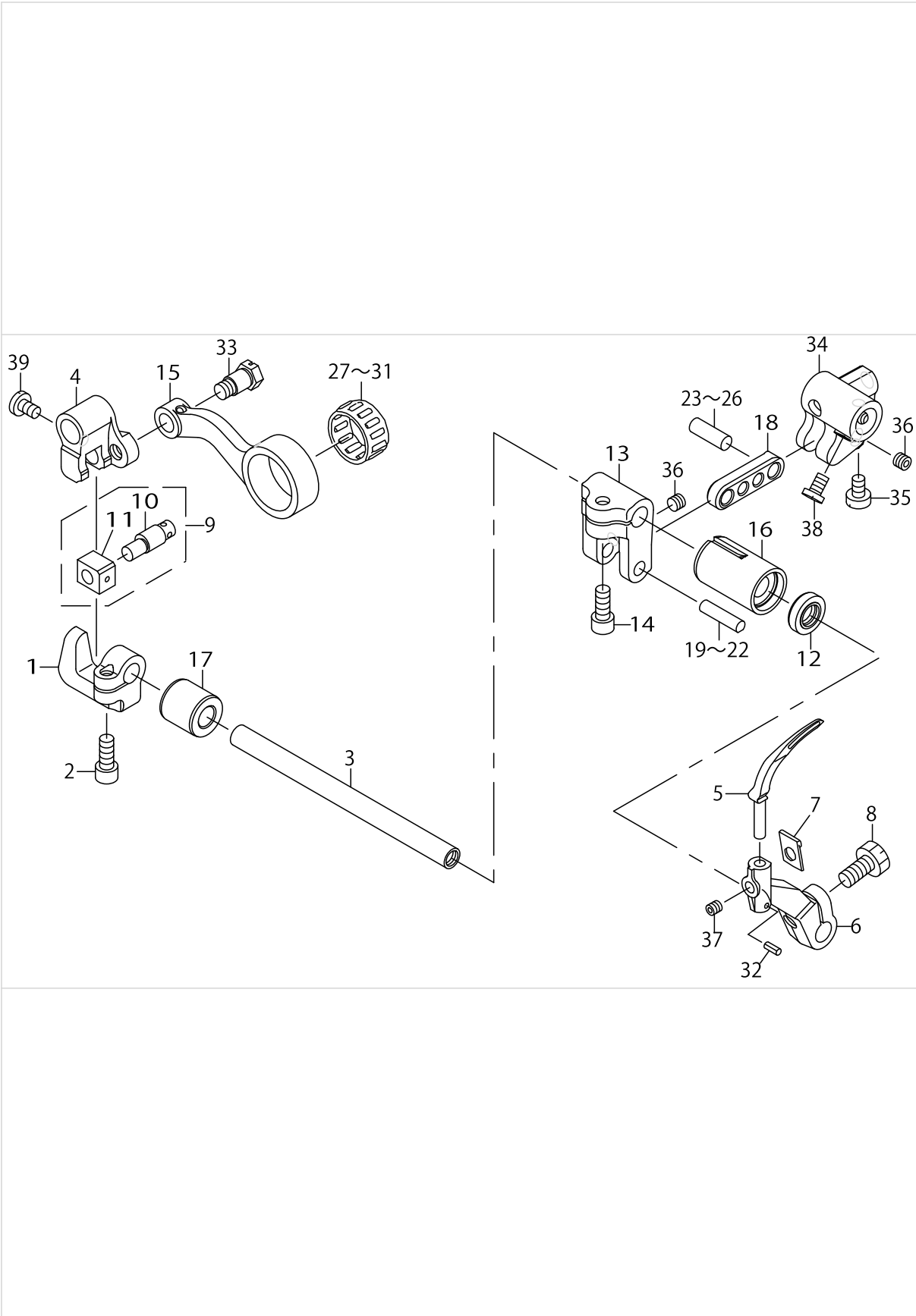
UPPER & LOWER LOOPER COMPONENTS



UPPER & LOWER LOOPER COMPONENTS

No.	Parts No.	Parts name	Remarks	Level	Cons	Qty
48	CS1031219SH	THRUST COLLAR D=10.32 W=12		*		1
49	SS8660610TP	SCREW 1/4-40 L=6		*		2
50	12340808	THREAD GUIDE				1
51	SS3090610SP	SCREW 9/64-40 L=6				1
52	13224001	UPPER LOOPER GUIDE COVER				1
53	CQ202000000	OIL WICK				0.05
54	SS7060610SP	SCREW 3/32-56 L=5.5				2
55	40010804	OIL SEAL RING				1
56	B2530704000	UPPER LOOPER SHAFT RUBBER RING				1
57	CS1031210SH	THRUST COLLAR ASM. D=10.32 W=12	FOR MO-6916G			1
58	CS1031219SH	THRUST COLLAR D=10.32 W=12		*		1
59	SS8660610TP	SCREW 1/4-40 L=6		*		2
60	13221403	UPPER LOOPER SHAFT A	SELECTIVE PARTS			1
61	13221502	UPPER LOOPER SHAFT B	SELECTIVE PARTS			1
62	13221601	UPPER LOOPER SHAFT C	SELECTIVE PARTS			1
63	13221700	UPPER LOOPER SHAFT A	SELECTIVE PARTS			1
64	13221809	UPPER LOOPER SHAFT B	SELECTIVE PARTS			1
65	13221908	UPPER LOOPER SHAFT C	SELECTIVE PARTS			1

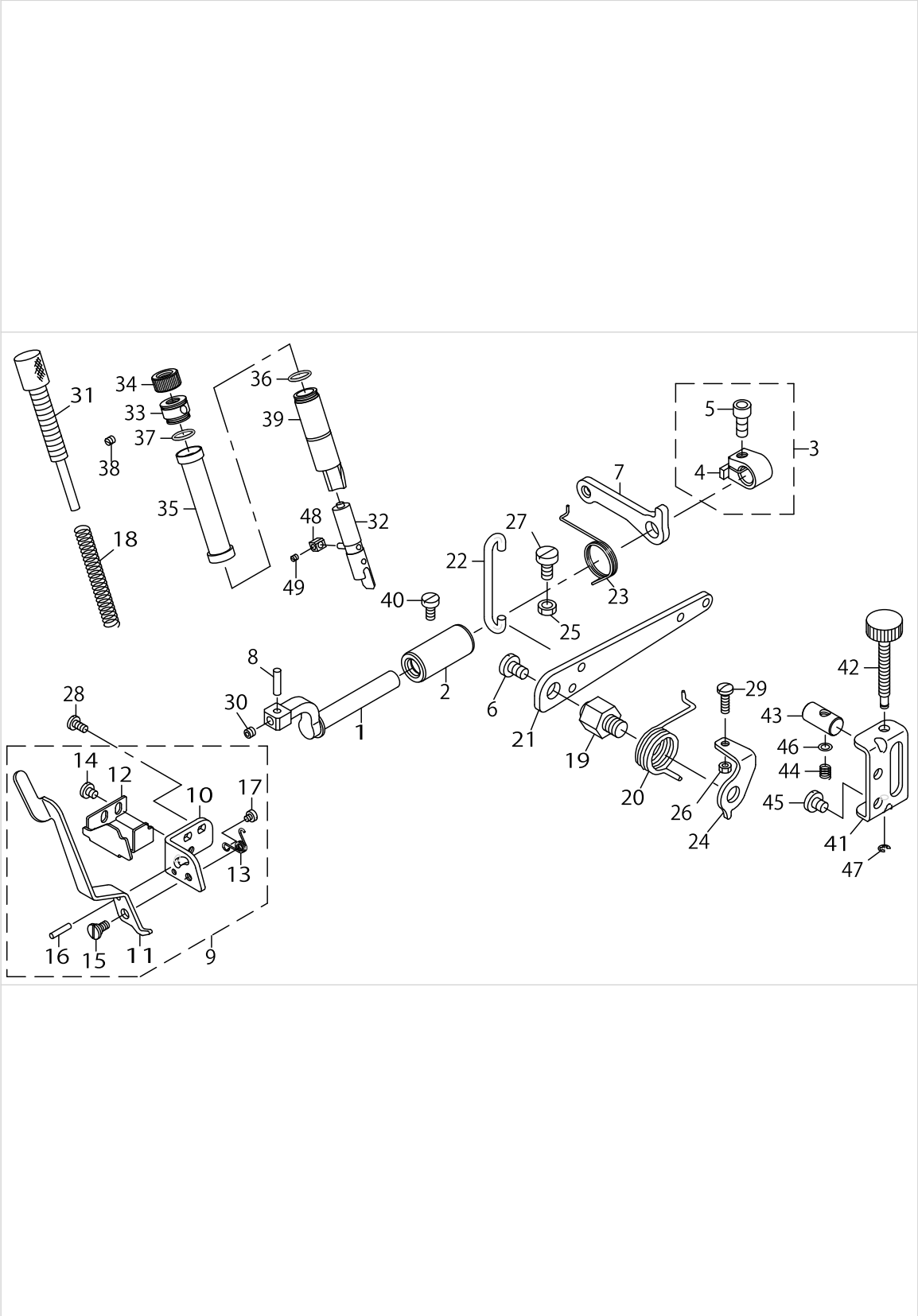
CHAIN LOOPER COMPONENTS (FOR MO-6916G)



CHAIN LOOPER COMPONENTS (FOR MO-6916G)

No.	Parts No.	Parts name	Remarks	Level	Cons	Qty
1	12342309	BRACKET				1
2	SM6051202TP	SCREW M5X0.8 L=12				1
3	13126909	CHAIN LOOPER SHAFT				1
4	13126008	FRONT-AND-REAR ARM				1
5	12384400	CHAIN LOOPER				1
6	11829314	CHAIN LOOPER DRIVING ARM				1
7	13129309	WASHER				1
8	SS9151210TP	SCREW 15/64-28 L=11.8				1
9	13126354	SLIDE BLOCK PIN ASM.				1
10	13126206	CHAIN LOOPER SLIDE BLOCK PIN		*		1
11	13126305	CHAIN LOOPER SLIDE BLOCK		*		1
12	40010805	OIL SEAL RING				1
13	12374104	DRIVING ARM				1
14	SM6051202TP	SCREW M5X0.8 L=12				1
15	13220009	CHAIN LOOPER ROD				1
16	13128103	BUSHING FORNT				1
17	13127006	BUSHING REAR				1
18	12374203	DRIVING LINK				1
19	13126503	PIN LONG A	SELECTIVE PARTS			1
20	13126602	PIN LONG B	SELECTIVE PARTS			1
21	13126701	PIN LONG C	SELECTIVE PARTS			1
22	13126800	PIN LONG D	SELECTIVE PARTS			1
23	13127204	PIN SHORT A	SELECTIVE PARTS			1
24	13127303	PIN SHORT B	SELECTIVE PARTS			1
25	13127402	PIN SHORT C	SELECTIVE PARTS			1
26	13127501	PIN SHORT D	SELECTIVE PARTS			1
27	B2119816A00	BEARING A	SELECTIVE PARTS			1
28	B2119816B00	BEARING B	SELECTIVE PARTS			1
29	B2119816C00	BEARING C	SELECTIVE PARTS			1
30	B2119816D00	BEARING D	SELECTIVE PARTS			1
31	B2119816E00	BEARING E	SELECTIVE PARTS			1
32	PS0200062KH	SPRING PIN 2X6				1
33	SD0720803TH	STEP-SCREW D=7.24 H=8				1
34	13220108	DRIVING BALL ARM BRACKET				1
35	SM8050602TP	SCREW M5 L=6				1
36	SM8050402TP	SCREW				2
37	SS8110422TP	SCREW 11/64-40 L=4				1
38	SS6110710TP	SCREW 11/64-40 L=6.5				2
39	SS7110720TP	SCREW 11/64-40 L=7				1

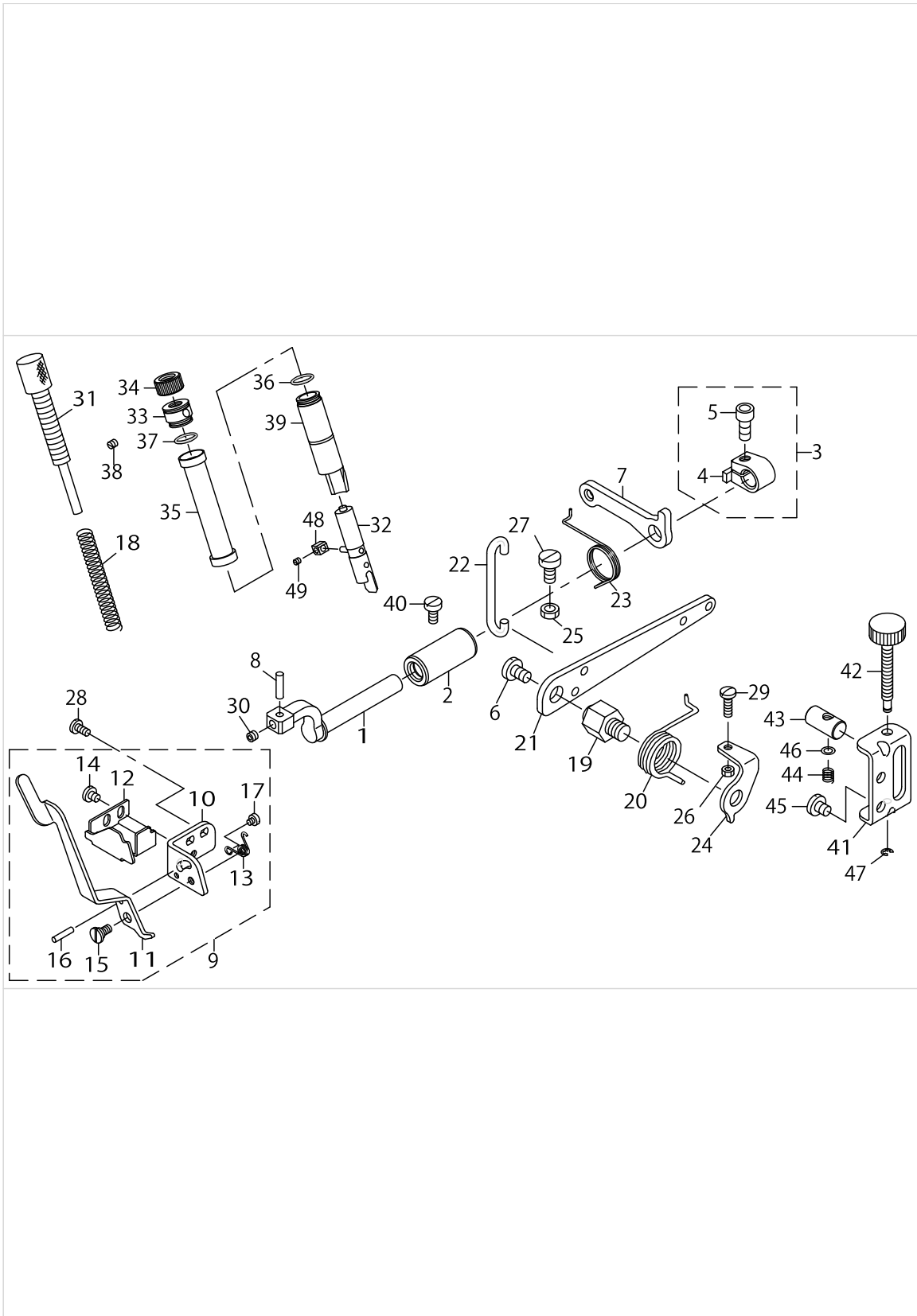
PRESSER FOOT COMPONENTS (1)



PRESSER FOOT COMPONENTS (1)

No.	Parts No.	Parts name	Remarks	Level	Cons	Qty
1	13115001	PRESSER FOOT SHAFT				1
2	13115100	PRESSER FOOT SHAFT BUSHING				1
3	40096182	THRUST ARM ASM.				1
4	40096181	THRUST ARM		*		1
5	SM6061402TP	SCREW M6 L=14		*		1
6	SS7161040SP	SCREW 1/4-24 L=9.5				1
7	13116801	LIFTING ARM				1
8	13115407	PRESSER FOOT ARM HINGE SHAFT				1
9	13115753	PRESSER LIFTING LEVER BASE ASM.				1
10	13115803	PRESSER LIFTING LEVER BASE		*		1
11	13115902	PRESSER LIFTING LEVER		*		1
12	13116009	PRESSER ARM STOPPER		*		1
13	13116108	PRESSER FOOT LIFTING SPRING		*		1
14	SS7110510SP	SCREW 11/64-40 L=5		*		2
15	SD0640241SP	HINGE SCREW D=6.35 H=2.4		*		1
16	PS0300142KH	SPRING PIN 0.3X14		*		1
17	SS6080340SP	SCREW 1/8-44 L=2.9		*		1
18	13116207	PRESSER FOOT SPRING				1
19	13117007	PRESSER LIFTING LEVER SCREW				1
20	13116306	PRESSER LIFTING LEVER SPRING				1
21	13116900	PRESSER LIFTING LEVER				1
22	13116405	PRESSER LIFTING HOOK				1
23	13116504	LIFTING LEVER ARM SPRING				1
24	13116603	PRESSER LIFTING LEVER SPRING				1
25	NM6060003SC	NUT M6				1
26	NS6110420SP	NUT 11/64-40				1
27	SM6061200SP	SCREW M6 L=12				1
28	SS7110840SP	SCREW 11/64-40 L=7.8				2
29	SS7111410TP	SCREW 11/64-40 L=14				1
30	SM8050412TP	SCREW M5 L=4				1
31	40034897	PRESSER ADJUSTING SCREW				1
32	13115654	PRESSER BAR ASM.				1
33	12288700	PRESSER REGULATOR SCREW WASHER				1
34	13117106	PRESSER REGULATOR NUT				1
35	13212709	PRESSER BAR COVER				1
36	13170402	RUBBER RING				2
37	13170402	RUBBER RING				1
38	SM8040402TP	SCREW M4X0.7 L=4				1
39	13213301	PRESSER BAR BUSHING				1
40	SS6121020SP	SCREW 3/16-28 L=9.5				1
41	13212808	ADJUSTING BASE				1
42	13213012	ADJUSTING SCREW				1
43	13212915	ADJUSTING BLOCK				1
44	13123302	ADJUSTING SPRING				1
45	SS7150740SP	SCREW 15/64-28 L=7				2
46	WP0460556SD	WASHER 4.6X7.5X0.5				1
47	RE0300000K0	E-RING 3				1

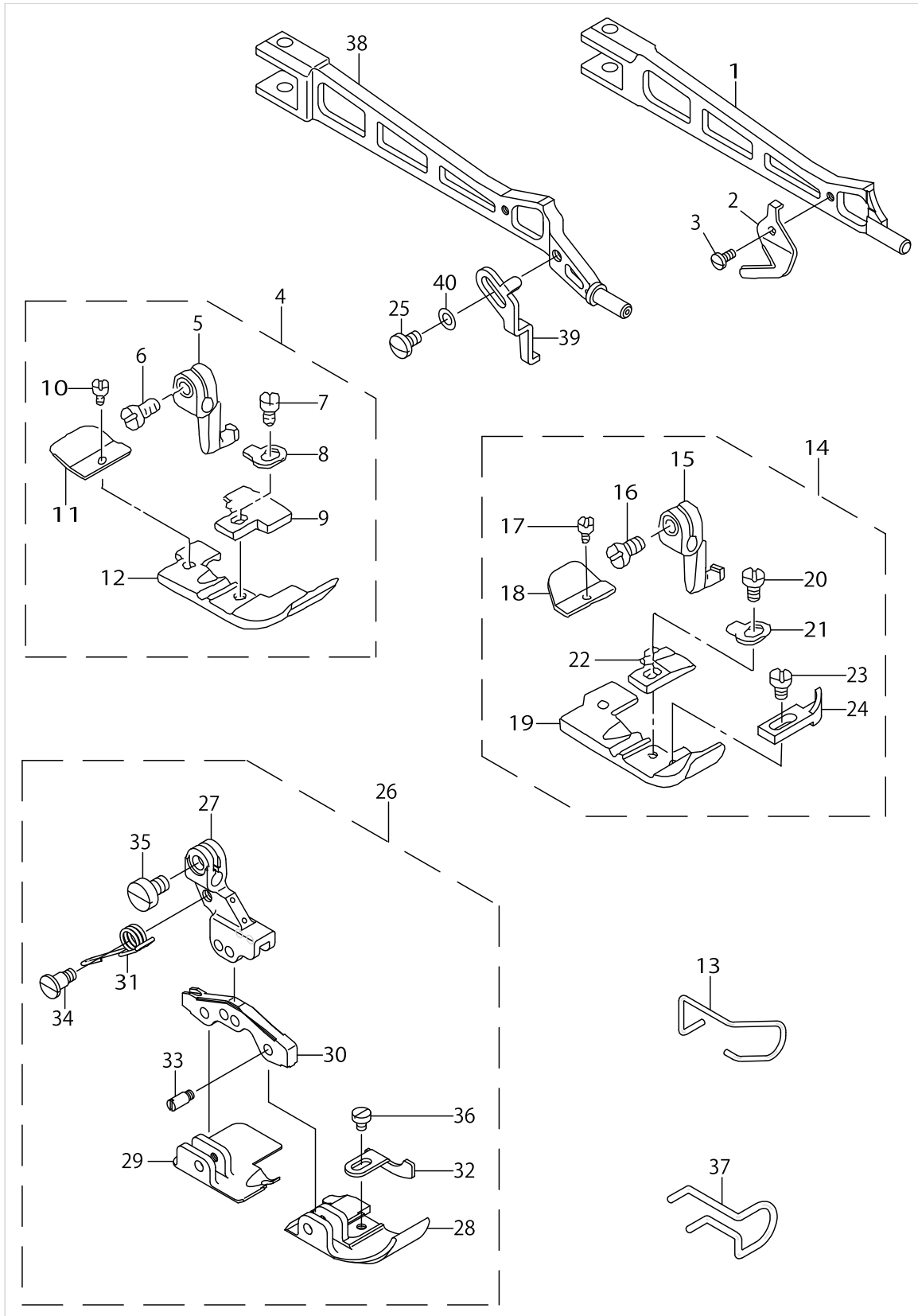
PRESSER FOOT COMPONENTS (1)



PRESSER FOOT COMPONENTS (1)

No.	Parts No.	Parts name	Remarks	Level	Cons	Qty
48	70004672	SLIDE BLOCK				1
49	SS8080310TP	SCREW 1/8-44 L=2.8				1

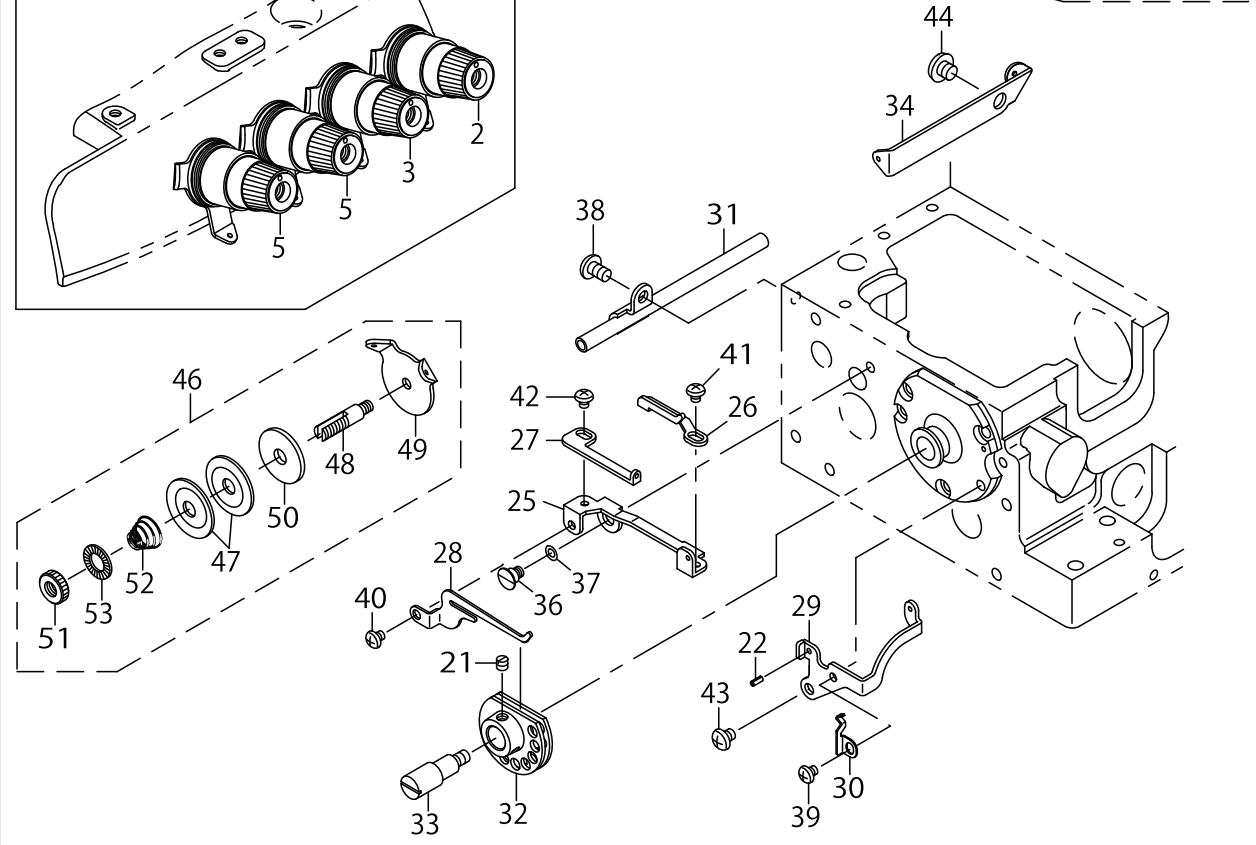
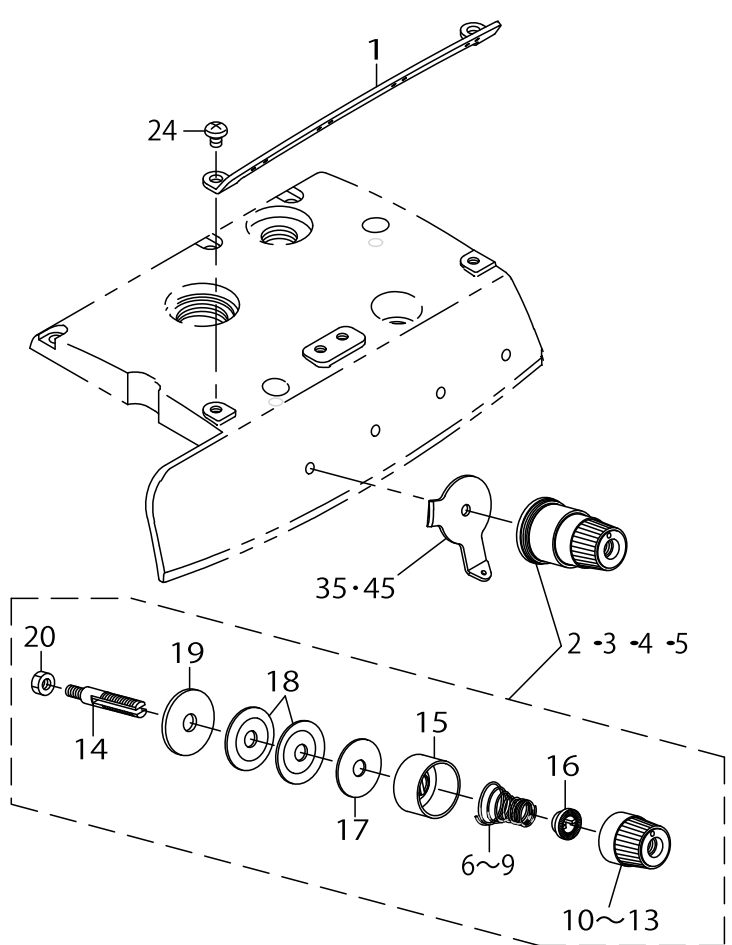
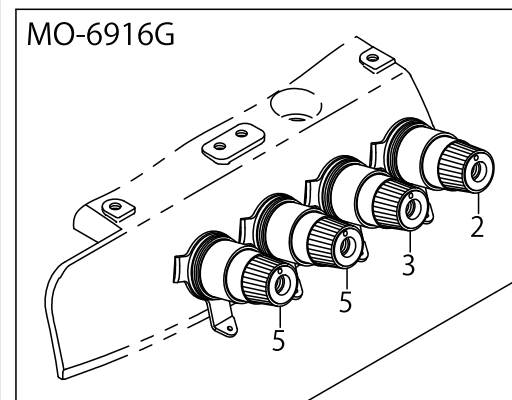
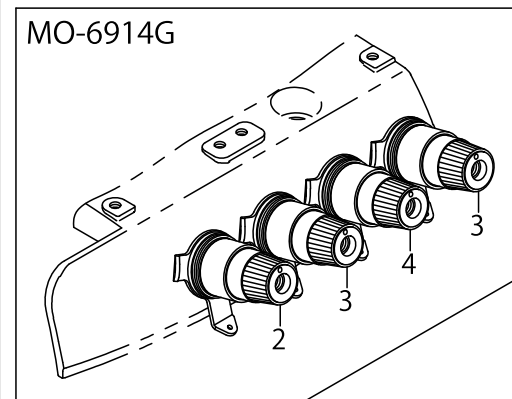
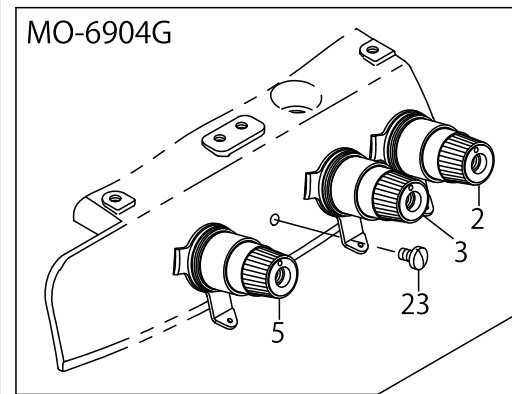
PRESSER FOOT COMPONENTS (2)



PRESSER FOOT COMPONENTS (2)

No.	Parts No.	Parts name	Remarks	Level	Cons	Qty
1	12253829	PRESSER FOOT ARM	FOR MO-6916G			1
2	13116702	THREAD TRIMMER				1
3	SS7060510SP	SCREW 3/32-56 L=4.8				1
4	12381752	PRESSER FOOT COMPL.	FOR MO-6904G			1
5	11651304	PRESSER FOOT HINGE		*		1
6	SS6090670TP	SCREW 9/64-40 L=6		*		1
7	SS7080520SP	SCREW 1/8-44 L=4.9		*		1
8	B1508804000	SPRING		*		1
9	11700408	STITCH TONGUE		*		1
10	SS6060340SP	SCREW 3/32-56 L=2.5		*		1
11	11680709	REAR PRESSER FOOT		*		1
12	11680501	PRESSER FOOT		*		1
13	11522802	FINGER GUARD	FOR MO-6904G,MO-6914G			1
14	12381158	PRESSER FOOT COMPL.	FOR MO-6914G			1
15	11651304	PRESSER FOOT HINGE		*		1
16	SS6090670TP	SCREW 9/64-40 L=6		*		1
17	SS6060210SP	SCREW 3/32-56 L=1.9		*		1
18	B1511814000	REAR PRESSER FOOT		*		1
19	12010807	PRESSER FOOT		*		1
20	SS7080520SP	SCREW 1/8-44 L=4.9		*		1
21	B1508804000	SPRING		*		1
22	11700101	STITCH TONGUE		*		1
23	SS6060440TP	SCREW 3/32-56 L=3.5		*		1
24	B1510814000	CURL GUARD		*		1
25	SS7080520SP	SCREW 1/8-44 L=4.9	FOR MO-6904G,MO-6914G			1
26	12381257	PRESSER FOOT ASM.	FOR MO-6916G			1
27	12157319	PRESSER FOOT HINGE ARM		*		1
28	12381208	FRONT PRESSER (FOR 16)		*		1
29	12381307	REAR PRESSER (FOR 16)		*		1
30	12168407	PRESSER FOOT HINGE		*		1
31	12168506	PRESSER FOOT ARM SPRING		*		1
32	12381406	CLOTH PRESSER		*		1
33	11930708	PRESSER FOOT HINGE PIN		*		3
34	B1514816000	SCREW		*		1
35	SS6090670TP	SCREW 9/64-40 L=6		*		1
36	SS6060340SP	SCREW 3/32-56 L=2.5		*		1
37	12168803	FINGER GUARD	FOR MO-6916G			1
38	12114120	PRESSER FOOT ARM	FOR MO-6904G,MO-6914G			1
39	12160800	STOPPER	FOR MO-6904G,MO-6914G			1
40	WP0320500SD	M3 WASHER	FOR MO-6904G,MO-6914G			1

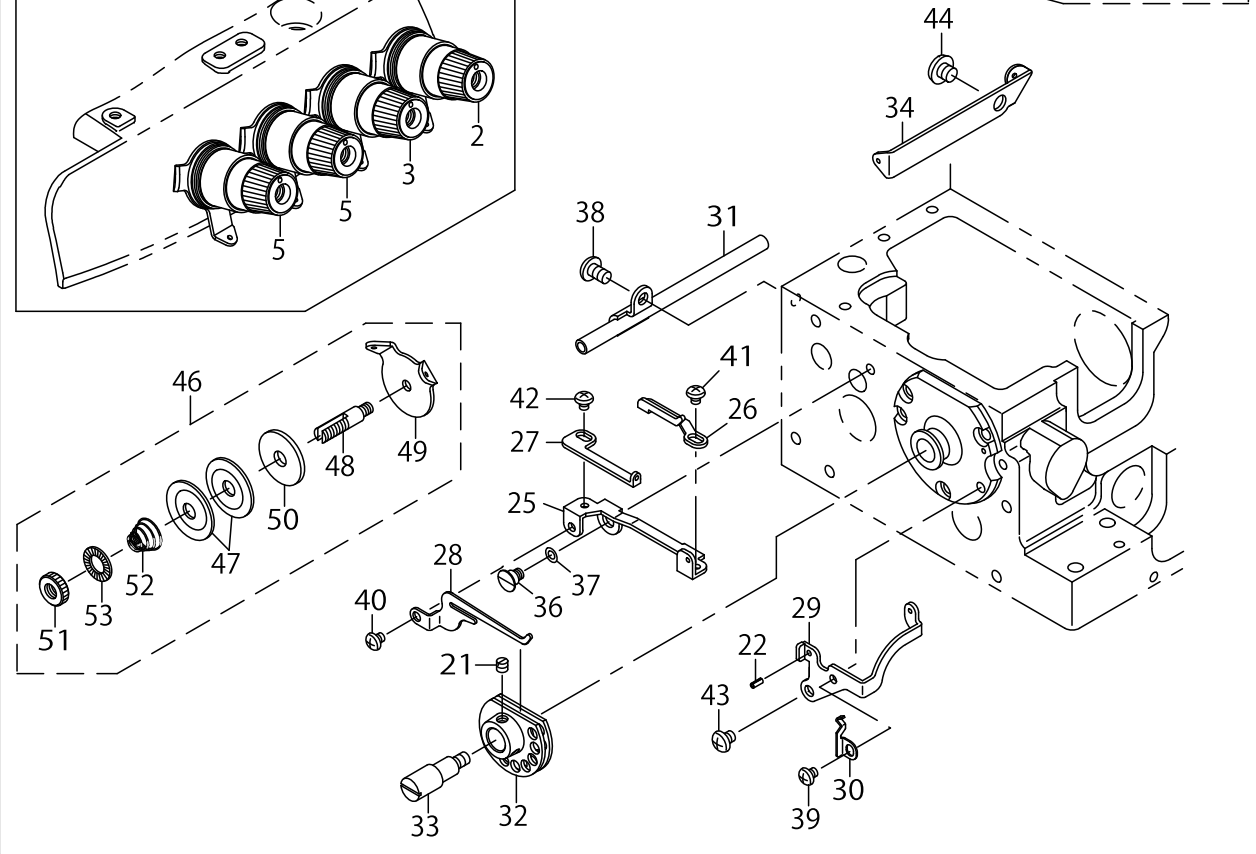
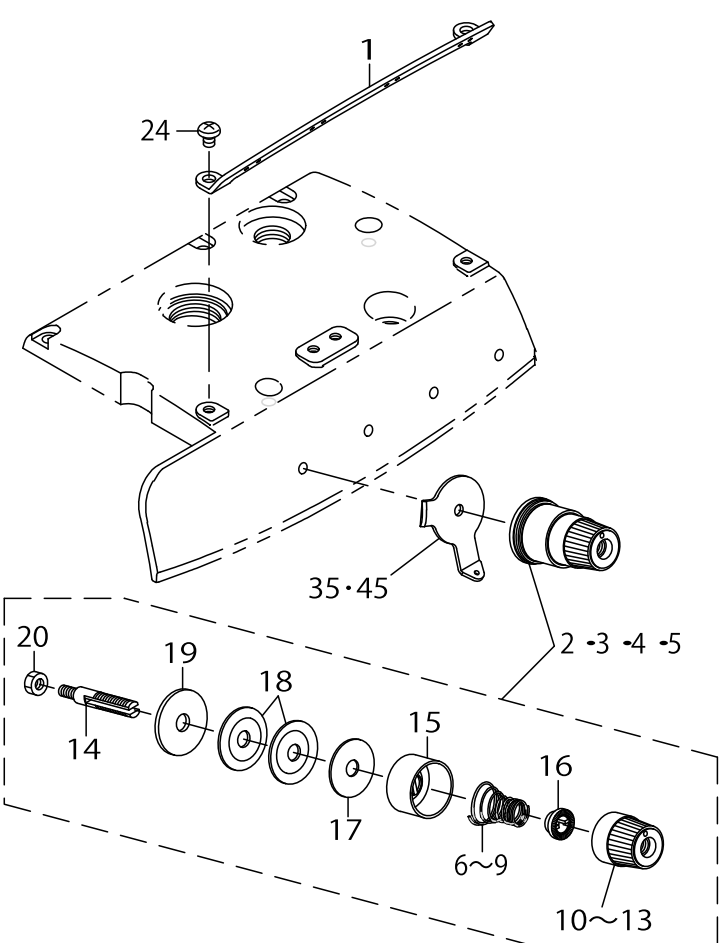
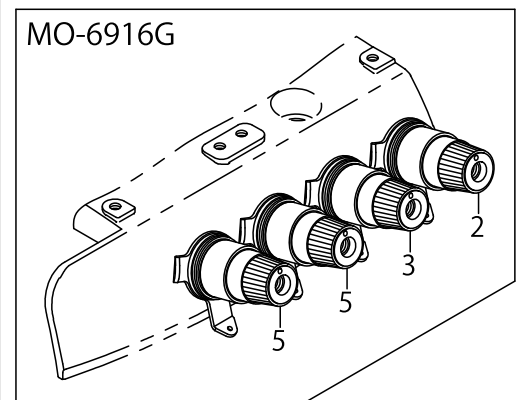
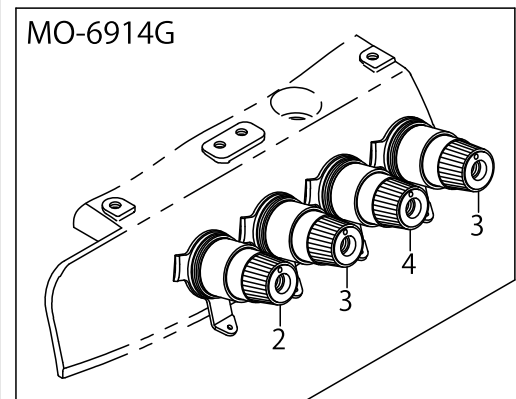
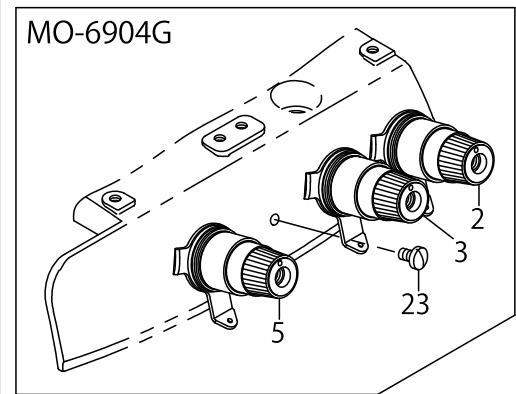
THREAD TENSION COMPONENTS



THREAD TENSION COMPONENTS

No.	Parts No.	Parts name	Remarks	Level	Cons	Qty
1	13225008	CENTER THREAD GUIDE				1
2	13137559	THREAD TENSION SPRING COMPL.				1
3	13138359	THREAD TENSION SPRING COMPL.	FOR MO-6904G,MO-6916G (1 P-C. IS USED.) FOR MO-6914G(2 PC. ARE USED.)			1
4	13138656	THREAD TENSION SPRING COMPL.	FOR MO-6916G			1
5	13140355	THREAD TENSION SPRING COMPL.	FOR MO-6904G(1 PC. IS USED.) FOR MO-6916G(2 PC. ARE USED.)			1
6	13138508	THREAD TENSION SPRING YELLOW		*		1
7	13137807	THREAD TENSION SPRING RED		*		1
8	13138805	THREAD TENSION SPRING BLUE		*		1
9	13140207	THREAD TENSION SPRING PURPLE		*		1
10	13137708	THREAD TENSION KNOB RED		*		1
11	13138409	THREAD TENSION KNOB YELLOW		*		1
12	13138706	THREAD TENSION KNOB BLUE		*		1
13	13140108	THREAD TENSION KNOB PURPLE		*		1
14	13138904	THREAD TENSION BAR		*		1
15	13137609	THREAD TENSION DISK PRESSER		*		1
16	13137906	SPRING BUSHING		*		1
17	13138102	THREAD TENSION SPRING FELT		*		1
18	13138201	THREAD TENSION DISK		*		2
19	13138003	THREAD TENSION RUBBER WASHER		*		1
20	NS6110420SP	NUT 11/64-40		*		1
21	SS8110410TP	SCREW 11/64-40 L=3.5	FOR MO-6916G			2
22	PS0200052KH	SPRING PIN 2.3X5	FOR MO-6916G			1
23	SS7110710SL	SCREW 11/64-40 L=7.0	FOR MO-6904G			1
24	SS4110615SP	SCREW 11/64-40 L=6				2
25	12283602	THREAD GUIDE BASE	FOR MO-6916G			1
26	12283701	THREAD GUIDE A	FOR MO-6916G			1
27	12283800	THREAD GUIDE B	FOR MO-6916G			1
28	13128509	LOWER THREAD CAM HOOK	FOR MO-6916G			1
29	13128608	LOWER THREAD GUIDE	FOR MO-6916G			1
30	13128707	THREAD GUIDE BASE SPRING	FOR MO-6916G			1
31	13129259	MOUNTING BRACKET ASM.	FOR MO-6916G			1
32	12347555	LOWER THREAD CAM COMPL.	FOR MO-6916G			1
33	13130000	LOWER THREAD CAM SHAFT	FOR MO-6916G			1
34	13129101	LOWER THREAD CONDUIT GUIDE	FOR MO-6916G			1
35	13225107	TESION DISK THREAD GUIDE	FOR MO-6914G,MO-6916G			4
36	SD0600341TP	HINGE SCREW D=6.0 H=3.4	FOR MO-6916G			1
37	WZ0640312K0	WAVED WASHER	FOR MO-6916G			1
38	SM4050855SP	SCREW M5 L=8	FOR MO-6916G			1
39	SS4090415SP	SCREW 9/64-40 L=4	FOR MO-6916G			1
40	SS4090415SP	SCREW 9/64-40 L=4	FOR MO-6916G			1
41	SS4090415SP	SCREW 9/64-40 L=4	FOR MO-6916G			1
42	SS4090415SP	SCREW 9/64-40 L=4	FOR MO-6916G			1
43	SS4110515SP	SCREW 11/64-40 L=5	FOR MO-6916G			1
44	SS5150510SP	SCREW 15/64-28 L=5	FOR MO-6916G			1
45	13225107	TESION DISK THREAD GUIDE	FOR MO-6904G			3
46	13139555	THREAD TENSION POST CONPL.	FOR MO-6916G			1

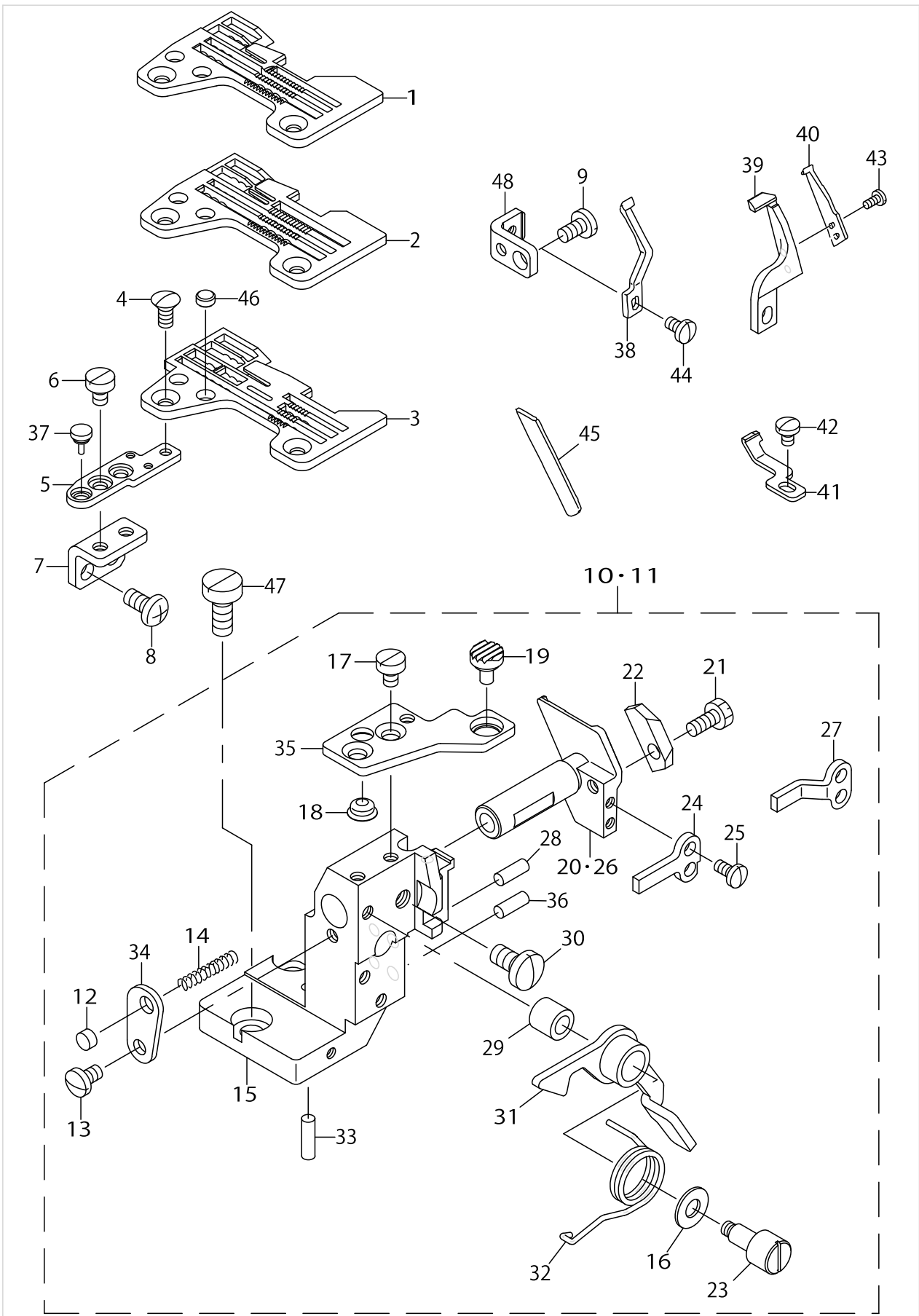
THREAD TENSION COMPONENTS



THREAD TENSION COMPONENTS

No.	Parts No.	Parts name	Remarks	Level	Cons	Qty
47	13138201	THREAD TENSION DISK		*		2
48	13140009	THREAD TENSION POST		*		1
49	13139605	TESION DISK THREAD GUIDE		*		1
50	13139902	THREAD TENSION SPRING FELT		*		1
51	13139803	THREAD TENSION NUT		*		1
52	13139704	THREAD TENSION SPRING		*		1
53	22921407	ROTATION STOPPER		*		1

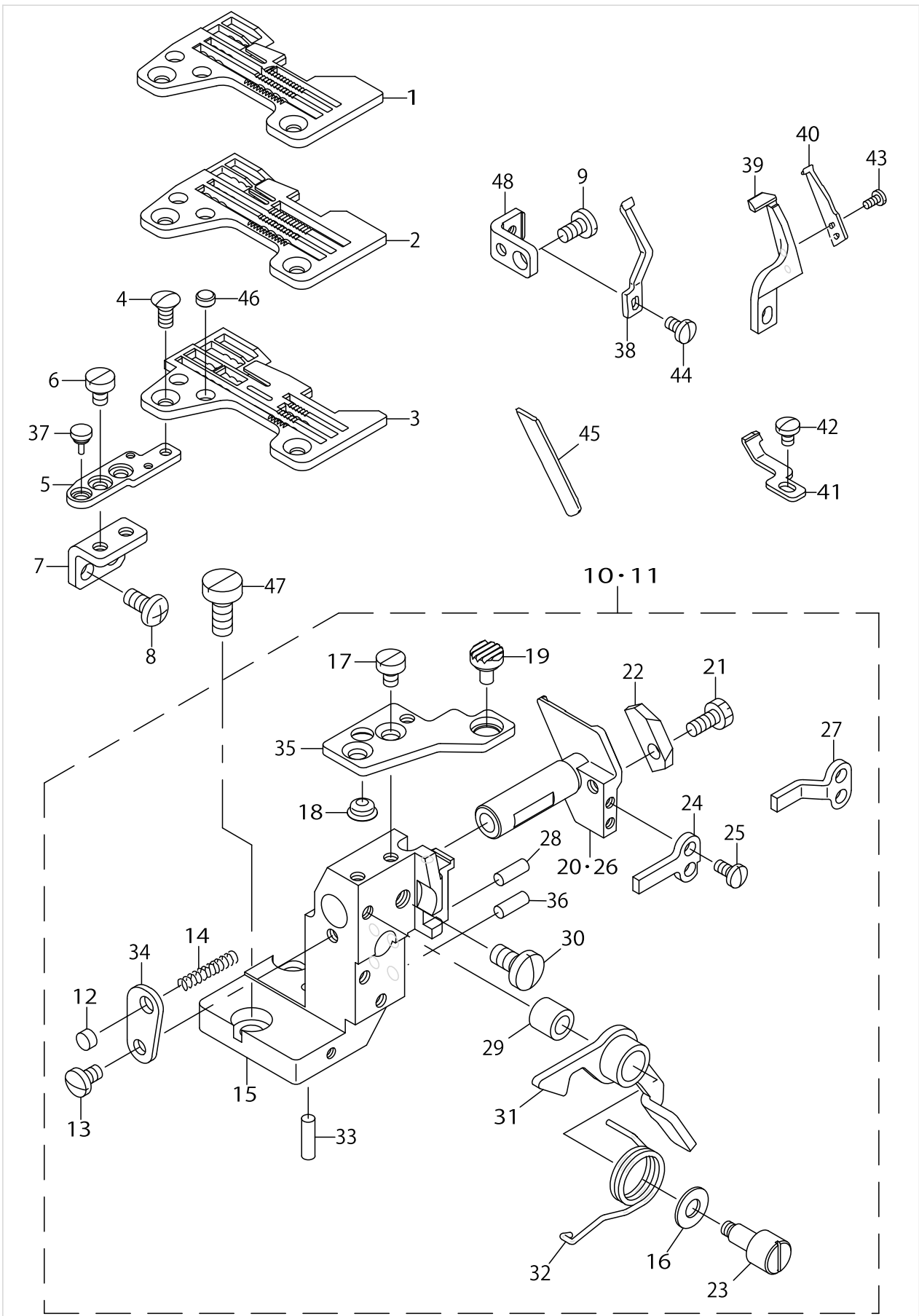
LOWER KNIFE COMPONENTS



LOWER KNIFE COMPONENTS

No.	Parts No.	Parts name	Remarks	Level	Cons	Qty
1	R4300J6FL00	THROAT PLATE	FOR MO-6904G			1
2	R4306J6HJ00	THROAT PLATE	FOR MO-6914G			1
3	R4612J6HL00	THROAT PLATE	FOR MO-6916G			1
4	SS2110910SL	SCREW 11/64-40 L=9				2
5	11848603	THROAT PLATE BASE C				1
6	SS6110610TP	SCREW 11/64-40 L=6				2
7	12378303	THROAT PLATE BASE B RETAINER				1
8	SM4051055SP	SCREW				2
9	SS7110840SP	SCREW 11/64-40 L=7.8				1
10	12377552	LOWER KNIFE BRACKET ASM.	FOR MO-6904G,MO-6914G			1
11	12377586	LOWER KNIFE BRACKET ASM.	FOR MO-6916G			1
12	11806304	PLUG		*		1
13	SS7110720SP	SCREW 11/64-40 L=7		*		1
14	11846607	SPRING		*		1
15	12132619	LOWER KNIFE BRACKET		*		1
16	WP0621036SP	WASHER		*		1
17	SS6110610TP	SCREW 11/64-40 L=6		*		2
18	12103701	RUBBER PLUG B		*		1
19	12103602	RUBBER PLUG A		*		1
20	12132700	LOWER KNIFE SLIDE STUD	FOR MO-6904G,MO-6914G	*		1
21	SS9111010SP	SCREW 11/64-40 L=9.5		*		1
22	12377602	LOWER KNIFE PRESSER		*		1
23	12378204	LEVER SHAFT		*		1
24	12377701	ROTATING STOPPER	FOR MO-6904G,MO-6914G	*		1
25	SS7090710SP	SCREW 9/64-40 L=6.8		*		2
26	12377800	LOWER KNIFE SLIDE SHAFT	FOR MO-6916G	*		1
27	12377909	ROTATING STOPPER	FOR MO-6916G	*		1
28	11846805	HOLDER PIN		*		1
29	12103107	RUBBER PLUG		*		1
30	SS7151120SP	SCREW 15/64-28 L=11		*		1
31	12102950	LEVER ASM.		*		1
32	12378006	SPRING		*		1
33	12133708	HOLDER PIN		*		1
34	12133211	SPRING STOPPER		*		1
35	12378105	THROAT PLATE BASE A	FOR MO-6914G,MO-6916G	*		1
36	12133708	HOLDER PIN		*		1
37	11804606	RUBBER PLUG				1
38	12015509	NEEDLE GUARD	FOR MO-6904G,MO-6914G			1
39	12015301	NEEDLE HOLDER	FOR MO-6916G			1
40	12015400	NEEDLE HOLDER	FOR MO-6916G			1
41	12384509	NEEDLE HOLDER	FOR MO-6916G			1
42	SS7090510SP	SCREW 9/64-40 L=4.6	FOR MO-6916G			1
43	SS7060510SP	SCREW 3/32-56 L=4.8	FOR MO-6916G			2
44	SS7090610SP	SCREW 9/64-40 L=6				1
45	11566502	LOWER KNIFE				1
46	13102702	THROAT PLATE COVER				2
47	SS6151440SP	SCREW 15/64-28 L=14				2

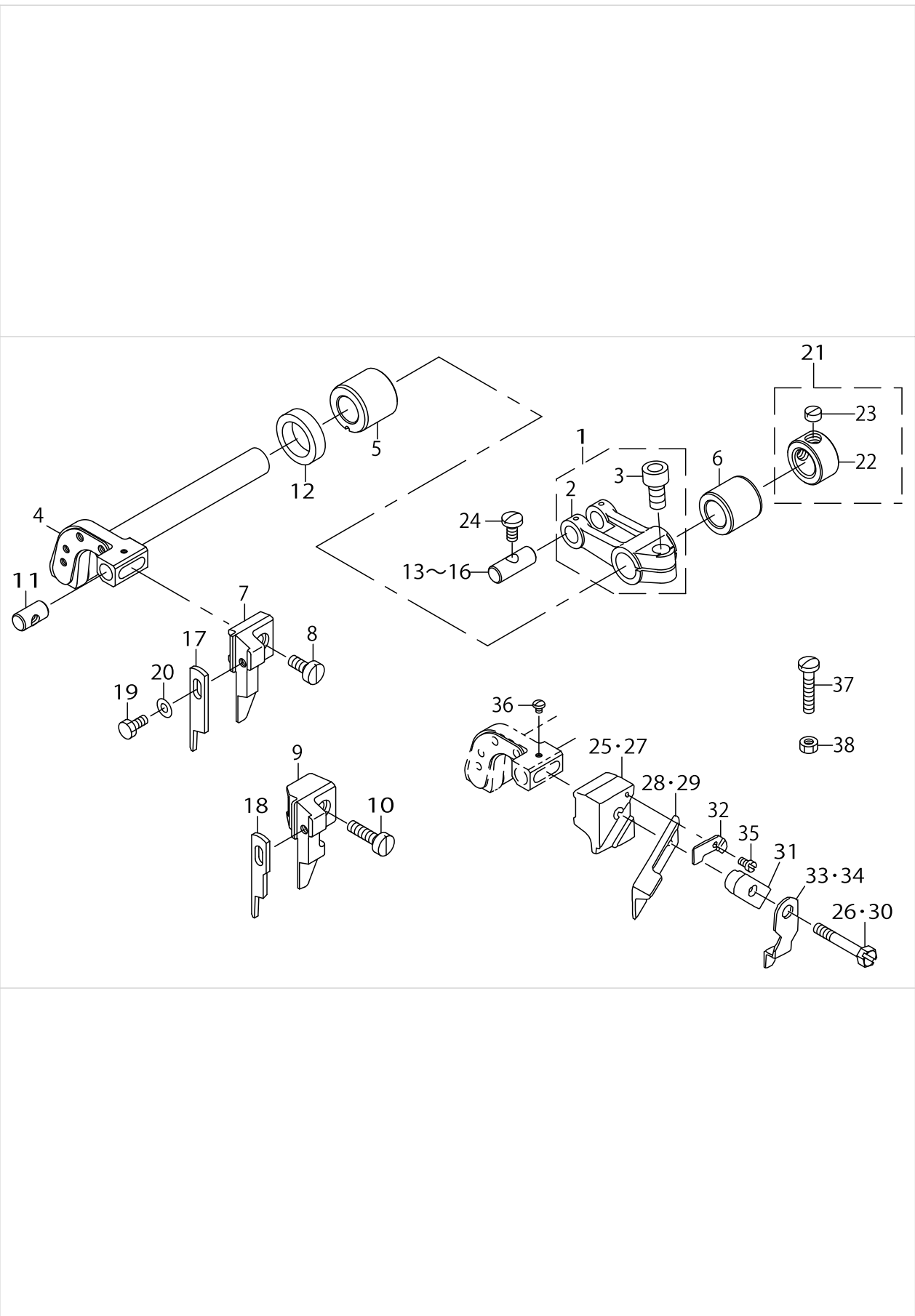
LOWER KNIFE COMPONENTS



LOWER KNIFE COMPONENTS

No.	Parts No.	Parts name	Remarks	Level	Cons	Qty
48	13151105	NEEDLE HOLDER SUPPORT				1

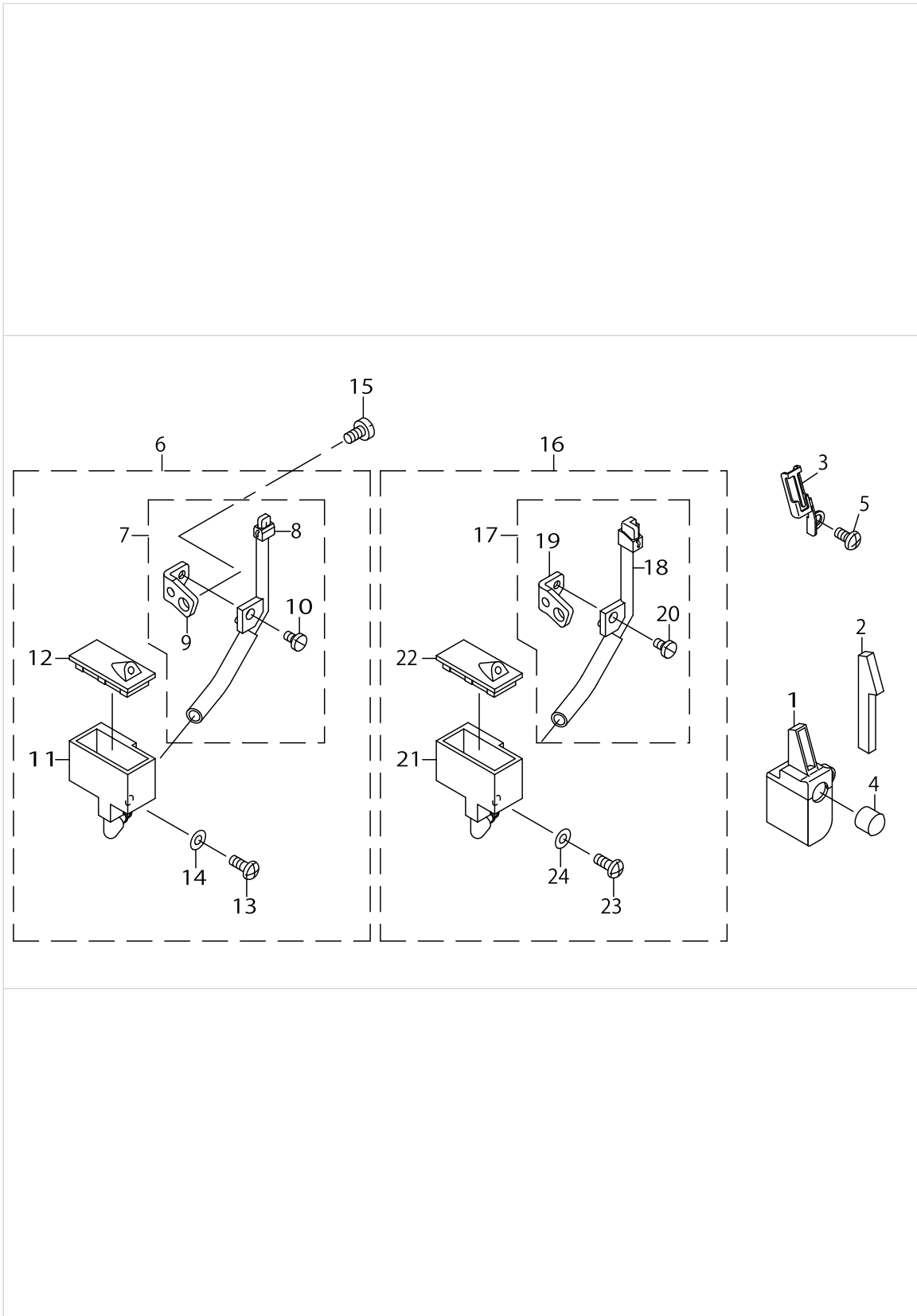
UPPER KNIFE COMPONENTS



UPPER KNIFE COMPONENTS

No.	Parts No.	Parts name	Remarks	Level	Cons	Qty
1	13147558	FEED FORKED ARM ASM.				1
2	13147509	FEED FORKED ARM		*		1
3	SM6061402TP	SCREW M6 L=14		*		1
4	13151303	KNIFE DRIVING ARM SHAFT				1
5	13150909	BUSHING FRONT				1
6	13151006	BUSHING REAR				1
7	13147400	PLAIN KNIFE SUPPORT A	FOR MO-6904G,MO-6914G (EXCEPT JE)			1
8	SS6111040SP	SCREW 11/64-40 L=9.5	FOR MO-6904G,MO-6914G (EXCEPT JE)			1
9	12004800	UPPER KNIFE SUPPORT	FOR MO-6916G(EXCEPT JE)			1
10	SS6111610SP	SCREW 11/64-40 L=16	FOR MO-6916G(EXCEPT JE)			1
11	13150800	UPPER KNIFE GUIDE SHAFT				1
12	11566809	OIL SEAL				1
13	13122007	CRANK PIN A	SELECTIVE PARTS			1
14	13122106	CRANK PIN B	SELECTIVE PARTS			1
15	13122205	CRANK PIN C	SELECTIVE PARTS			1
16	13122304	CRANK PIN D	SELECTIVE PARTS			1
17	13150503	PLAIN KNIFE	FOR MO-6914G(EXCEPT JE)			1
18	12004909	KNIFE	FOR MO-6904G,MO-6916G (EXCEPT JE)			1
19	SS9090823TP	SCREW 9/64-40 L=8	EXCEPT JE			1
20	WP0370316SD	WASHER 3.7X8X0.3	EXCEPT JE			1
21	CS111101HSH	THRUST COLLAR ASM.				1
22	CS1111019SH	THRUST COLLAR D=11.11 W=10		*		1
23	SS8660330SP	SCREW 1/4-40 L=3.0		*		2
24	SS7110840SP	SCREW 11/64-40 L=7.8				1
25	11598000	UPPER KNIFE SUPPORT	FOR MO-6904G,MO-6914G(FOR JE)			1
26	SS9111610SP	SCREW 11/64-40 L=16	FOR MO-6904G,MO-6914G(FOR JE)			1
27	11565405	UPPER KNIFE SUPPORT	FOR MO-6916G(FOR JE)			1
28	11565900	UPPER KNIFE	FOR MO-6904G,MO-6916G(FOR JE)			1
29	B411180400E	UPPER KNIFE	FOR MO-6914G(FOR JE)			1
30	SS9112420TP	SCREW 11/64-40 L=24	FOR MO-6916G(FOR JE)			1
31	11565504	UPPER KNIFE PRESSER PLATE	FOR JE			1
32	11565702	WASHER	FOR JE			1
33	11565603	UPPER KNIFE COVER	FOR MO-6904G,MO-6916G(FOR JE)			1
34	11848405	UPPER KNIFE COVER	FOR MO-6914G(FOR JE)			1
35	SS4060310SP	SCREW 3/32-56 L=2.5	FOR JE			1
36	SS4060310SP	SCREW 3/32-56 L=2.5	FOR JE			1
37	SS7092110TP	SCREW 9/64-40 L=21	FOR MO-6916G(FOR JE)			1
38	NS6090310SP	NUT 9/64-40	FOR MO-6916G(FOR JE)			1

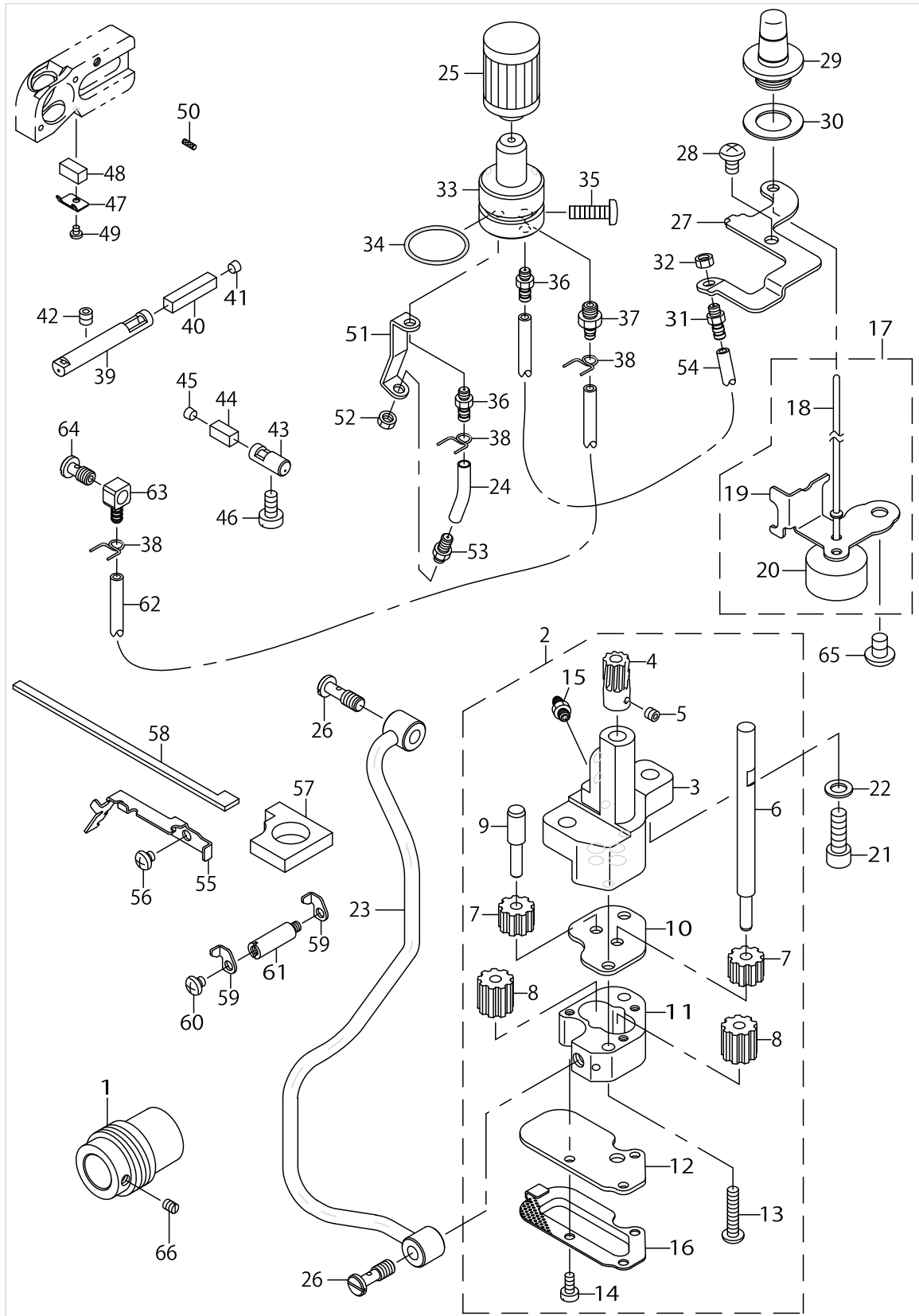
NEEDLE COOLING MECHANISM COMPONENTS



NEEDLE COOLING MECHANISM COMPONENTS

No.	Parts No.	Parts name	Remarks	Level	Cons	Qty
1	13163456	SILICON TANK ASM.				1
2	13163803	NEEDLE THREAD FELT				1
3	13163902	NEEDLE THREAD FELT PRESSER				1
4	TA0950806R0	RUBBER PLUG				1
5	SM4041055SP	SCREW				1
6	13162557	NEEDLE COOLER UNIT ASM. (OVER)	FOR MO-6904G,MO-6914G			1
7	13162565	NEEDLE COOLER UNIT COMPL.		*		1
8	13162573	NEEDLE COOLER UNIT ASM. (OVER)		*		1
9	13162805	NEEDLE COOLER SUPPORT		*		1
10	SS7090610SP	SCREW 9/64-40 L=6		*		1
11	13162904	TANK		*		1
12	13163001	TANK COVER		*		1
13	SS4091015SP	SCREW 9/64-40 L=10		*		1
14	WP0371026SD	WASHER 3.7X7X1		*		1
15	SS7110840SP	SCREW 11/64-40 L=7.8				1
16	13163159	NEEDLE COOLER UNIT ASM.(INTER)	FOR MO-6916G			1
17	13163167	NEEDLE COOLER COMPL.(INTER)		*		1
18	13163175	NEEDLE COOLER ASM.(INTER)		*		1
19	13162805	NEEDLE COOLER SUPPORT		*		1
20	SS7090610SP	SCREW 9/64-40 L=6		*		1
21	13162904	TANK		*		1
22	13163001	TANK COVER		*		1
23	SS4091015SP	SCREW 9/64-40 L=10		*		1
24	WP0371026SD	WASHER 3.7X7X1		*		1

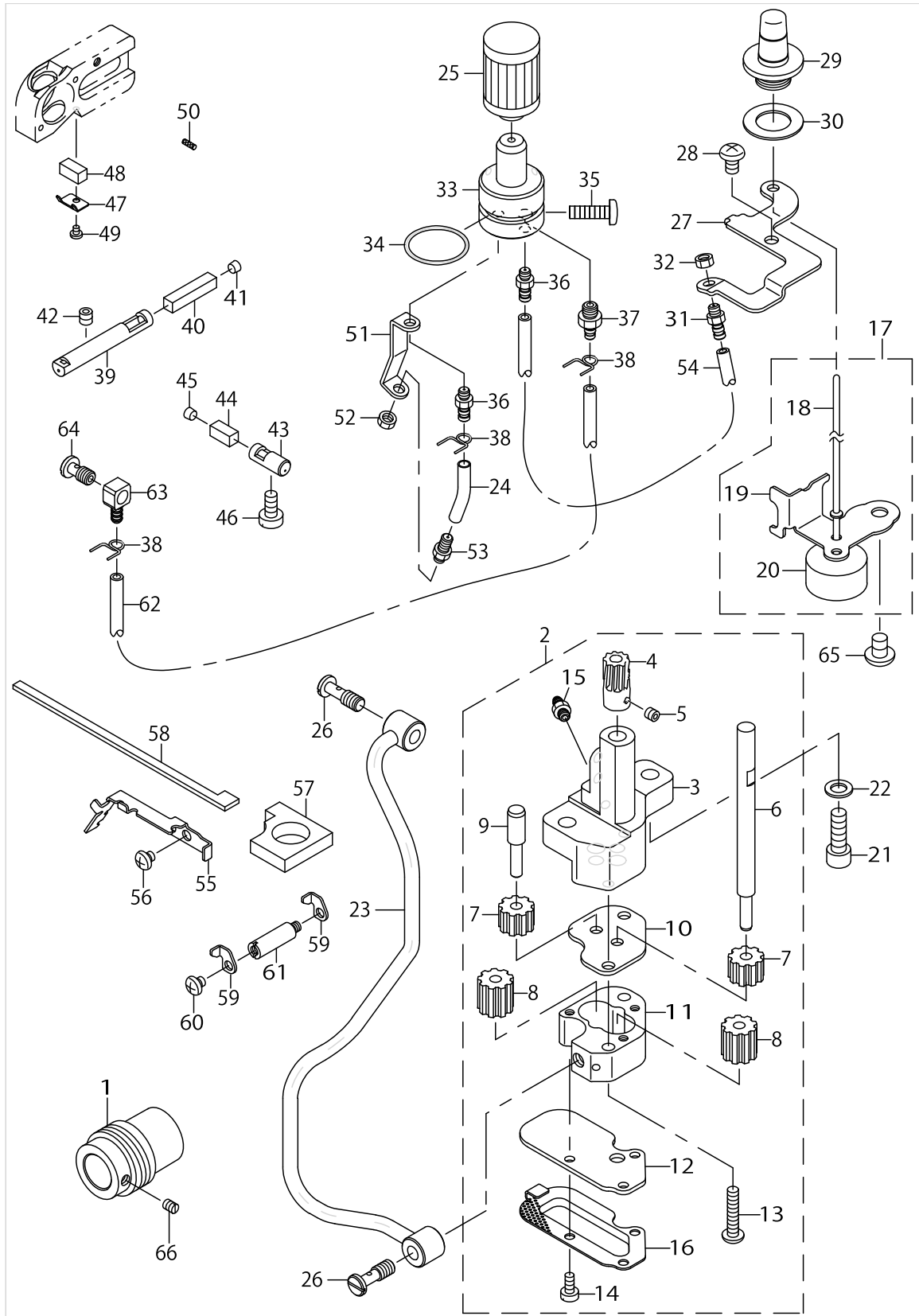
LUBRICATION MECHANISM COMPONENTS



LUBRICATION MECHANISM COMPONENTS

No.	Parts No.	Parts name	Remarks	Level	Cons	Qty
1	40019900	WORM				1
2	40018044	OIL PUMP ASM.				1
3	12315909	OIL PUMP		*		1
4	13343009	WORM WHEEL		*		1
5	SM8050412TP	SCREW M5 L=4		*		2
6	11918109	GEAR PUMP SHAFT LARGE		*		1
7	B3534352000	PINION GEAR		*		2
8	11840303	OIL PUMP PINION		*		2
9	12317004	GEAR PUMP SHAFT		*		1
10	12316006	PINION SPACER		*		1
11	12316105	CASING		*		1
12	40016762	PUMP COVER		*		1
13	SS4112215SP	SCREW 11/64-40 L=22		*		2
14	SS6090810SP	SCREW 9/64-40 L=7.5		*		3
15	SQ1110401MZ	CONNECTING SCREW		*		1
16	40016763	PUMP NET		*		1
17	13229356	FLOAT ASM.				1
18	12129904	OIL GAUGE BAR		*		1
19	13229307	FLOAT SUPPORT		*		1
20	12129805	FLOAT		*		1
21	SM6061802TP	SCREW M6 L=18				2
22	WP0651056SD	WASHER 6.5X11X1				2
23	13228655	LUBRICATION MECHANISM PIPE ASM.				1
24	BP30000010R	VINYL PIPE				0.03
25	13142500	CARTRIDGE FILTER				1
26	SQ1150454SD	CONNECTING SCREW				2
27	13143805	EXHAUST PORT SUPPORT				1
28	SM4050855SP	SCREW				1
29	13143300	OIL GAUGE				1
30	13144001	OIL GAUGE GASKET				1
31	SQ1110451MZ	CONNECTING SCREW				1
32	NS6110310SP	NUT 11/64-40				1
33	13142955	FILTER GUIDE ASM.				1
34	13170808	RUBBER RING				1
35	SM4051601SC	SCREW M5X0.8 L=16				1
36	SQ1110451MZ	CONNECTING SCREW				2
37	SQ1150451MZ	CONNECTING SCREW				1
38	13142609	OIL TUBE HOLDER				3
39	13144100	OILING PIN				1
40	13144209	OIL FELT				1
41	TA0400301M0	PLUG D=4X4.5 L=3				1
42	SM8050502TP	SCREW M5 L=5				1
43	13143417	OILING PIN				1
44	13143508	OIL FELT				1
45	13230107	OIL PLUG				1
46	SS6121020SP	SCREW 3/16-28 L=9.5				1
47	13230008	OIL FELT PRESSER				1

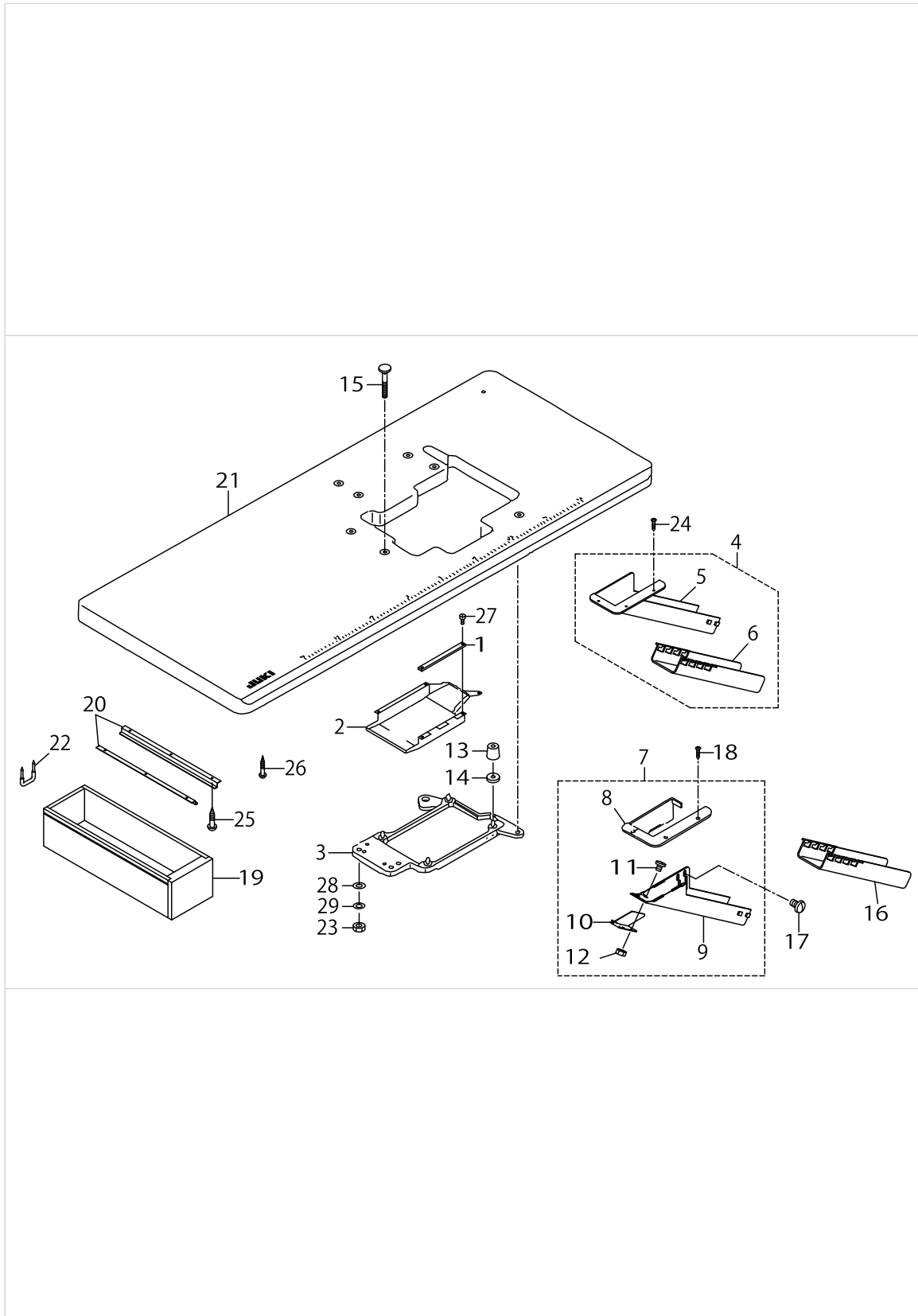
LUBRICATION MECHANISM COMPONENTS



LUBRICATION MECHANISM COMPONENTS

No.	Parts No.	Parts name	Remarks	Level	Cons	Qty
48	13143706	OIL FELT				1
49	SS7060310SP	SCREW 3/32-56 L=3				1
50	CQ202000000	OIL WICK				0.06
51	13229208	WORM EXHAUST PORT GUIDE				1
52	NS6110310SP	NUT 11/64-40				1
53	SQ1110451MZ	CONNECTING SCREW				1
54	23630007	TUBE				0.17
55	13228804	OIL FELT GUIDE				1
56	31018005	SCREW				2
57	13229109	OIL FELT B				1
58	13229406	OIL FELT A				1
59	13228903	OIL FELT PRESSER				2
60	31018005	SCREW				1
61	13229000	FELT PRESSER SPACER				1
62	BP30000010R	VINYL PIPE				0.29
63	SQ0000451MZ	CONNECTING SCREW				1
64	SQ1150441SD	CONNECTING SCREW				1
65	SM4060801SE	SCREW				1
66	SS8110520TP	SCREW 11/64-40 L=4.5				1

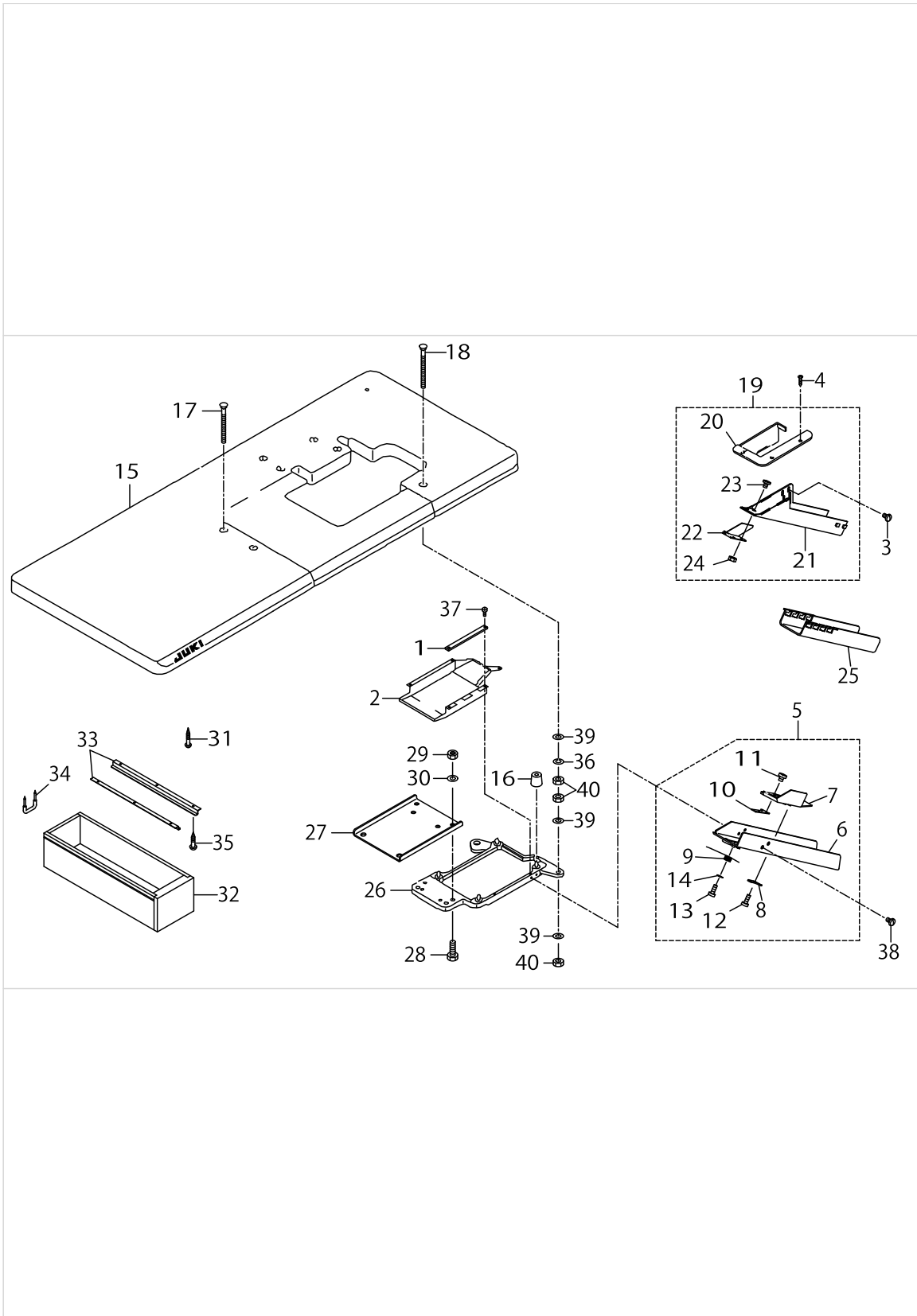
SEMI-SUNKEN TYPE TABLE COMPONENTS



SEMI-SUNKEN TYPE TABLE COMPONENTS

No.	Parts No.	Parts name	Remarks	Level	Cons	Qty
1	13161005	CASE SPONGE				1
2	13160908	COOLING FAN CASE				1
3	13161153	FRAME SUPPORT PLATE ASM.				1
4	12341954	CLOTH WASTE CHUTE ASM.	EXCEPT JE			1
5	12341905	CLOTH WASTE CHUTE(SEMI-SUNKEN)		*		1
6	12341806	CLOTH WASTE CHUTE		*		1
7	13155759	CLOTH WASTE CHUTE ASM.	FOR JE			1
8	13155601	CLOTH WASTE CHUTE INLET		*		1
9	13155700	CLOTH WASTE CHUTE UPPER		*		1
10	13155502	CHUTE SUPPORT		*		1
11	SS5090610SP	SCREW 9/64-40 L=6		*		3
12	NS6090310SP	NUT 9/64-40		*		3
13	13155403	DUST-PROOF RUBBER				4
14	13156500	DUST-PROOF RUBBER SPACER				4
15	13155007	HOLDING PLATE BOLT				4
16	12341806	CLOTH WASTE CHUTE	FOR JE			1
17	SS5110710SP	SCREW 11/64-40 L=7	FOR JE			2
18	SK2351601SE	SCREW	FOR JE			3
19	11155108	DRAWER				1
20	11155207	DRAWER SUPPORT				2
21	11959400	TABLE (SEMI-SUNKEN)				1
22	D8204555D00	DRAWER STOPPER				1
23	NS6240630SE	NUT 3/8-18				4
24	SK2351601SE	SCREW	EXCEPT JE			3
25	SK3311500SC	WOOD SCREW D=3.1 L=15				6
26	SK3513200SC	WOOD SCREW D=5.1 L=32				4
27	SS6090630TP	SCREW 9/64-40 L=6				5
28	WP1002036SE	WASHER 10X21X2				4
29	WS1002560KR	SPRING WASHER 10X18X2.5				4

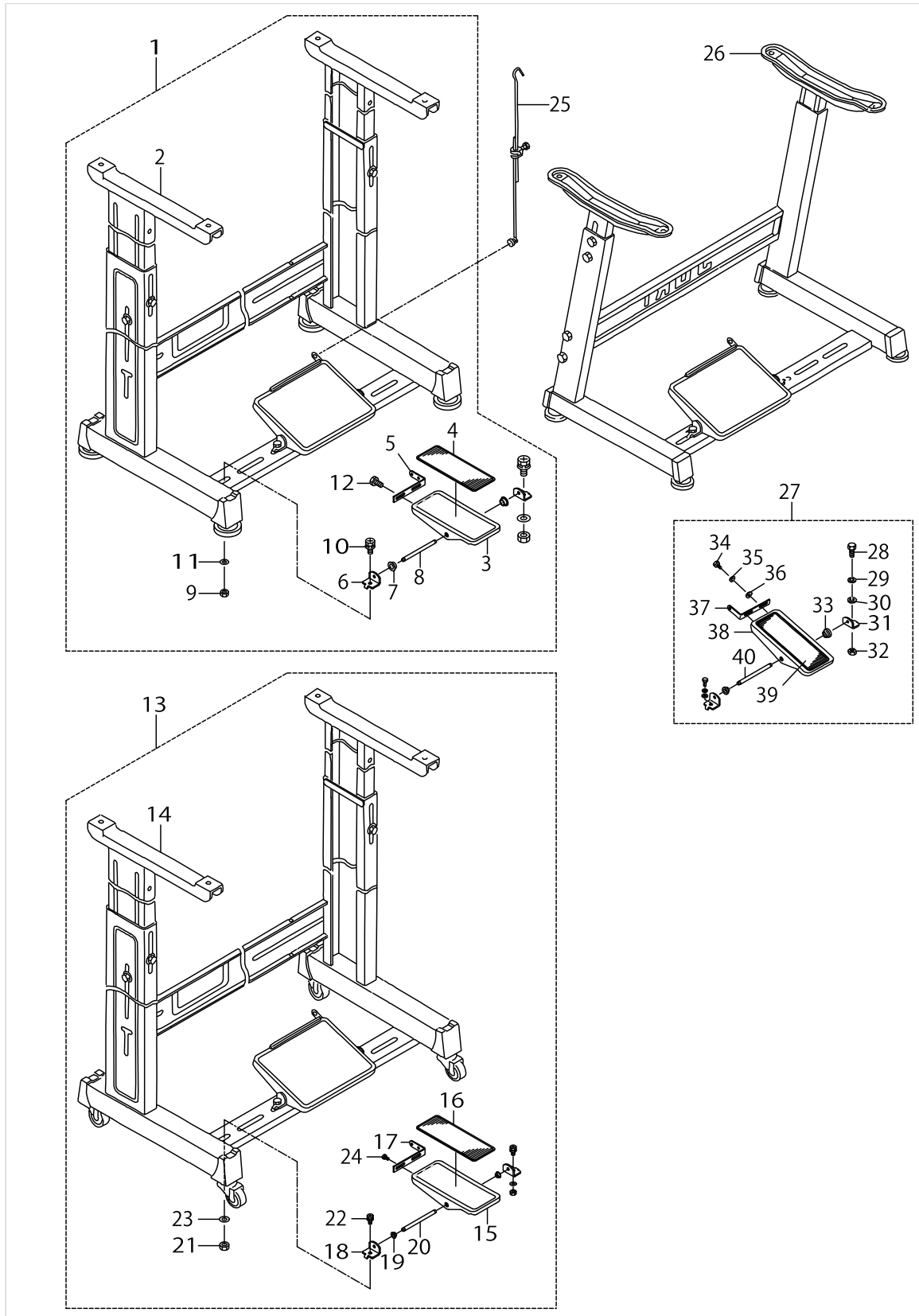
FULLY-SUNKEN TYPE TABLE COMPONENTS



FULLY-SUNKEN TYPE TABLE COMPONENTS

No.	Parts No.	Parts name	Remarks	Level	Cons	Qty
1	13161005	CASE SPONGE				1
2	13160908	COOLING FAN CASE				1
3	SS5110710SP	SCREW 11/64-40 L=7	FOR JE			2
4	SK2351601SE	SCREW	FOR JE			3
5	13155858	CLOTH WASTE CHUTE ASM.	EXCEPT JE			1
6	13156203	CLOTH WASTE CHUTE		*		1
7	13156302	CLOTH WASTE CHUTE INLET		*		1
8	13155908	CHUTE INLET LEVER		*		1
9	13156005	CHUTE INLET SPRING		*		1
10	13156104	CHUTE INLET RUBBER		*		1
11	SS6090420SP	SCREW 9/64-40 L=4.0		*		2
12	ST60308210A	SCREW D=3-24 L=8		*		2
13	ST60308210A	SCREW D=3-24 L=8		*		1
14	WP0370316SD	WASHER 3.7X8X0.3		*		1
15	11959558	TABLE ASM.				1
16	13155403	DUST-PROOF RUBBER				4
17	13155106	HOLDING PLATE BOLT C				2
18	13155205	HOLDING PLATE BOLT D				2
19	13155759	CLOTH WASTE CHUTE ASM.	FOR JE			1
20	13155601	CLOTH WASTE CHUTE INLET		*		1
21	13155700	CLOTH WASTE CHUTE UPPER		*		1
22	13155502	CHUTE SUPPORT		*		1
23	SS5090610SP	SCREW 9/64-40 L=6		*		3
24	NS6090310SP	NUT 9/64-40		*		3
25	12341806	CLOTH WASTE CHUTE	FOR JE			1
26	13161153	FRAME SUPPORT PLATE ASM.				1
27	13155304	FRAME HOLDING PLATE COUPLING				1
28	SM9082513CF	SCREW M8 L=25				4
29	NM6080600SM	NUT M8				4
30	WP0850002SC	WASHER 8.5X18X1.6				4
31	SK3513200SC	WOOD SCREW D=5.1 L=32				4
32	11155108	DRAWER				1
33	11155207	DRAWER SUPPORT				2
34	D8204555D00	DRAWER STOPPER				1
35	SK3311500SC	WOOD SCREW D=3.1 L=15				6
36	WS1002560KR	SPRING WASHER 10X18X2.5				4
37	SS6090630TP	SCREW 9/64-40 L=6				5
38	SS5110710SP	SCREW 11/64-40 L=7	EXCEPT JE			2
39	WP1002036SE	WASHER 10X21X2				12
40	NS6240630SE	NUT 3/8-18				12

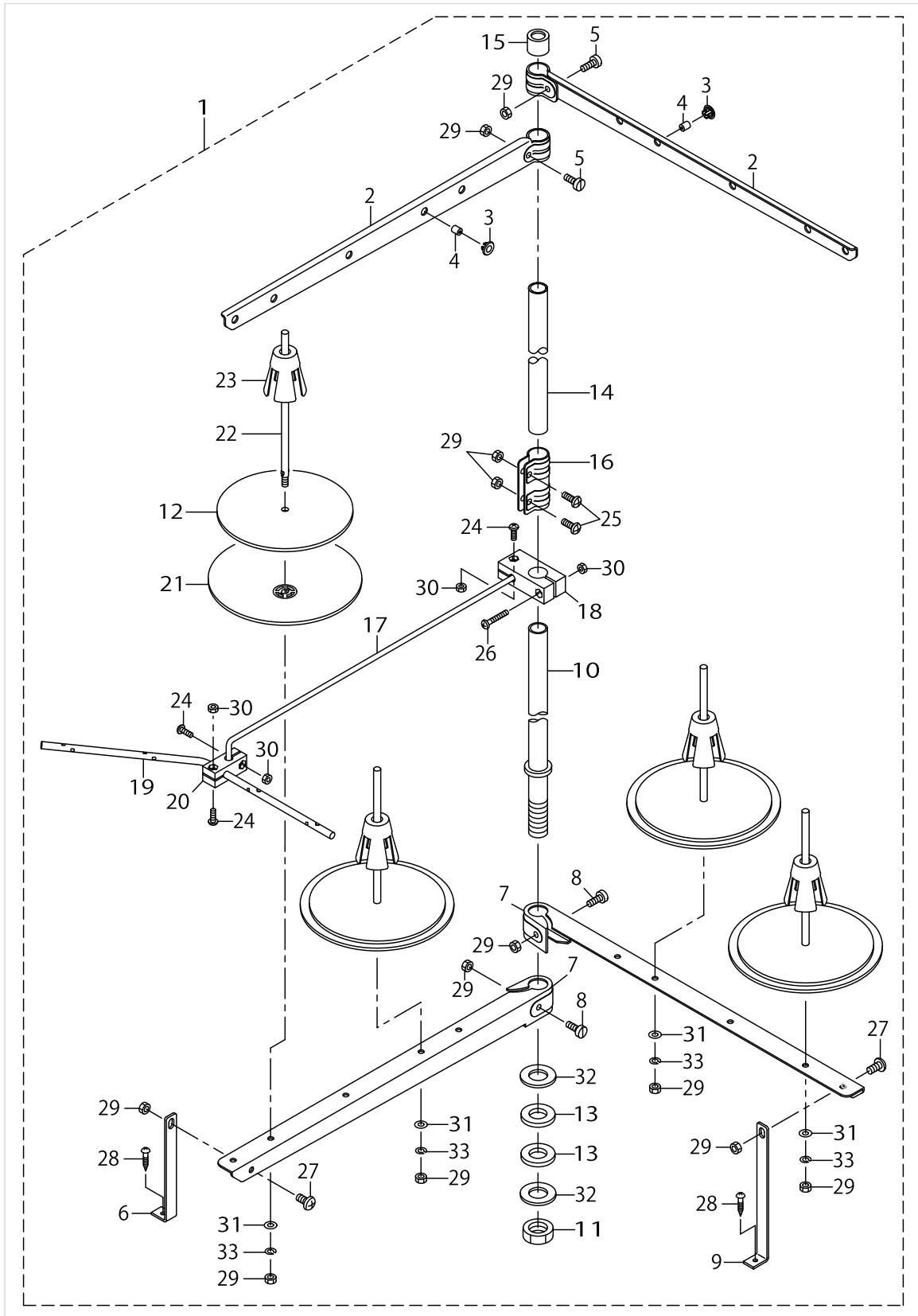
STAND COMPONENTS (ZAET)



STAND COMPONENTS (ZAET)

No.	Parts No.	Parts name	Remarks	Level	Cons	Qty
1	11960655	T STAND JUNCTION				1
2	11157567	T LEG JUNCTION		*		1
3	GPF06060000	PEDAL		*		1
4	GPF06070000	PEDAL MAT		*		1
5	GPF06080000	PEDAL ADJUSTING PLATE		*		1
6	11159001	PEDAL SHAFT BRACKET		*		2
7	D8113555B00	PEDAL BUSHING		*		2
8	B8153771000	PEDAL CONNECTING ROD		*		1
9	NM6080001SE	NUT M8		*		2
10	SL9082091SE	WASHER HEXAGONAL BOLT		*		2
11	WP0871602SE	WASHER 8.7X18X1.6		*		2
12	SL9061291SE	WASHER HEXAGONAL BOLT M6 L=12		*		2
13	11960754	T STAND JUNCTION(WITH CASTER)				1
14	11159365	T STAND JUNCTION		*		1
15	GPF06060000	PEDAL		*		1
16	GPF06070000	PEDAL MAT		*		1
17	GPF06080000	PEDAL ADJUSTING PLATE		*		1
18	11159001	PEDAL SHAFT BRACKET		*		2
19	D8113555B00	PEDAL BUSHING		*		2
20	B8153771000	PEDAL CONNECTING ROD		*		1
21	NM6080001SE	NUT M8		*		2
22	SL9082091SE	WASHER HEXAGONAL BOLT		*		2
23	WP0871602SE	WASHER 8.7X18X1.6		*		2
24	SL9061291SE	WASHER HEXAGONAL BOLT M6 L=12		*		2
25	B71140120A0	MOTOR CONNECTING ROD ASM.				1
26	11151065	Z LEG JUNCTION (B)				1
27	B81517710A0	PEDAL ASM.				1
28	SM9082023SE	SCREW M8 L=20		*		2
29	WS0861410KR	SPRING WASHER 8.6X15X1.4		*		2
30	WP0871602SE	WASHER 8.7X18X1.6		*		4
31	11151909	PEDAL SHAFT BRACKET		*		2
32	NM6080721SE	NUT M8		*		2
33	D8113555B00	PEDAL BUSHING		*		2
34	SM9061203SE	SCREW M6 L=12		*		2
35	WS0621210KR	SPRING WASHER 6.2X11.4X1.2		*		2
36	WP0671016SE	WASHER 6.7X13X1		*		2
37	11246600	PEDAL ADJUSTING PLATE		*		1
38	11246501	PEDAL		*		1
39	B8152771000	PEDAL MAT		*		1
40	B8153771000	PEDAL CONNECTING ROD		*		1

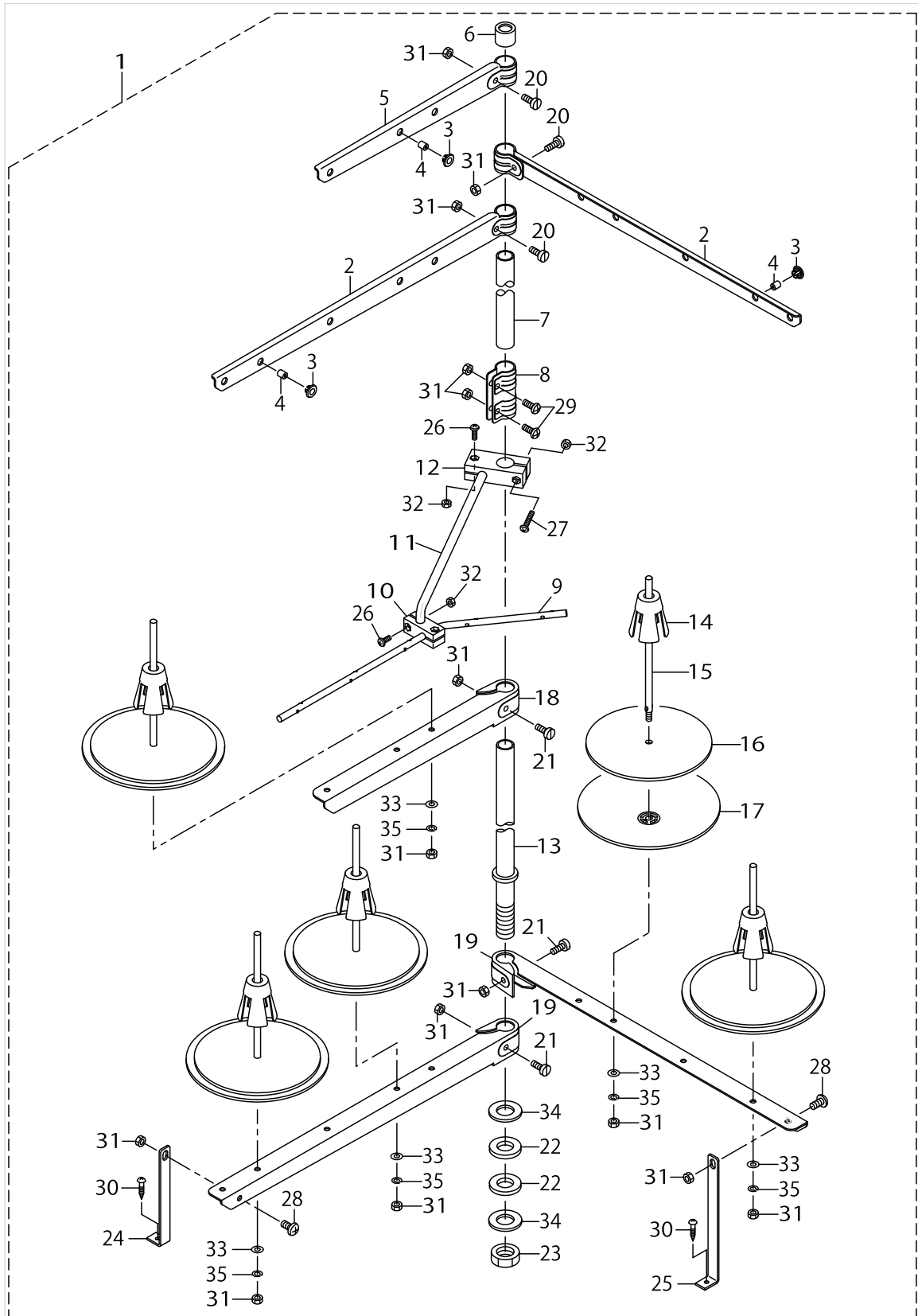
THREAD STAND COMPONENTS (FOR MO-6904G,MO-6914G)



THREAD STAND COMPONENTS (FOR MO-6904G,MO-6914G)

No.	Parts No.	Parts name	Remarks	Level	Cons	Qty
1	40106593	THREAD STAND ASM.				1
2	40106575	SPOOL REST LONG ARM UPPER		*		2
3	40085795	THREAD GUIDE BUSHING		*		4
4	40085794	THREAD GUIDE		*		4
5	40096327	SPOOL REST ARM UPPER SCREW		*		2
6	40106577	SPOOL REST ARM LOWER A		*		1
7	40106574	SPOOL REST LONG ARM LOWER		*		2
8	40096326	SPOOL REST ARM LOWER SCREW		*		2
9	40106578	SPOOL REST ARM LOWER B		*		1
10	40085784	SPOOL REST ROD LOWER		*		1
11	40096325	SPOOL REST ROD NUT		*		1
12	40085789	SPOOL REST CUSHION		*		4
13	40085796	SPOOL REST ROD RUBBER CUSHION		*		2
14	40085785	SPOOL REST ROD UPPER		*		1
15	40085793	SPOOL REST ROD RUBBER CAP		*		1
16	40085792	SPOOL REST ROD JOINT		*		1
17	40106576	THREAD GUIDE ARM		*		1
18	40106579	THREAD GUIDE ARM BASE		*		1
19	40106582	THREAD GUIDE 4		*		1
20	40106580	THREAD GUIDE UNDER BASE		*		1
21	40085788	SPOOL REST		*		4
22	40085790	SPOOL PIN		*		4
23	40085791	SPOOL RETAINER		*		4
24	SM4041201SC	SCREW M4 L=12		*		3
25	SM4051405SE	SCREW M5 L=14		*		2
26	SM4042501SC	SCREW M4X0.7 L=25		*		1
27	SM4051001SE	SCREW M5 L=10		*		2
28	SK3412001SE	WOOD SCREW D=4.1 L=20		*		2
29	NM6050001SE	NUT M5		*		12
30	NM6040002SC	NUT M4		*		4
31	WP0531001SC	WASHER M5		*		4
32	WP1612616SE	WASHER 16X30X2.6		*		2
33	WS0510002KN	SPRING WASHER M5		*		4

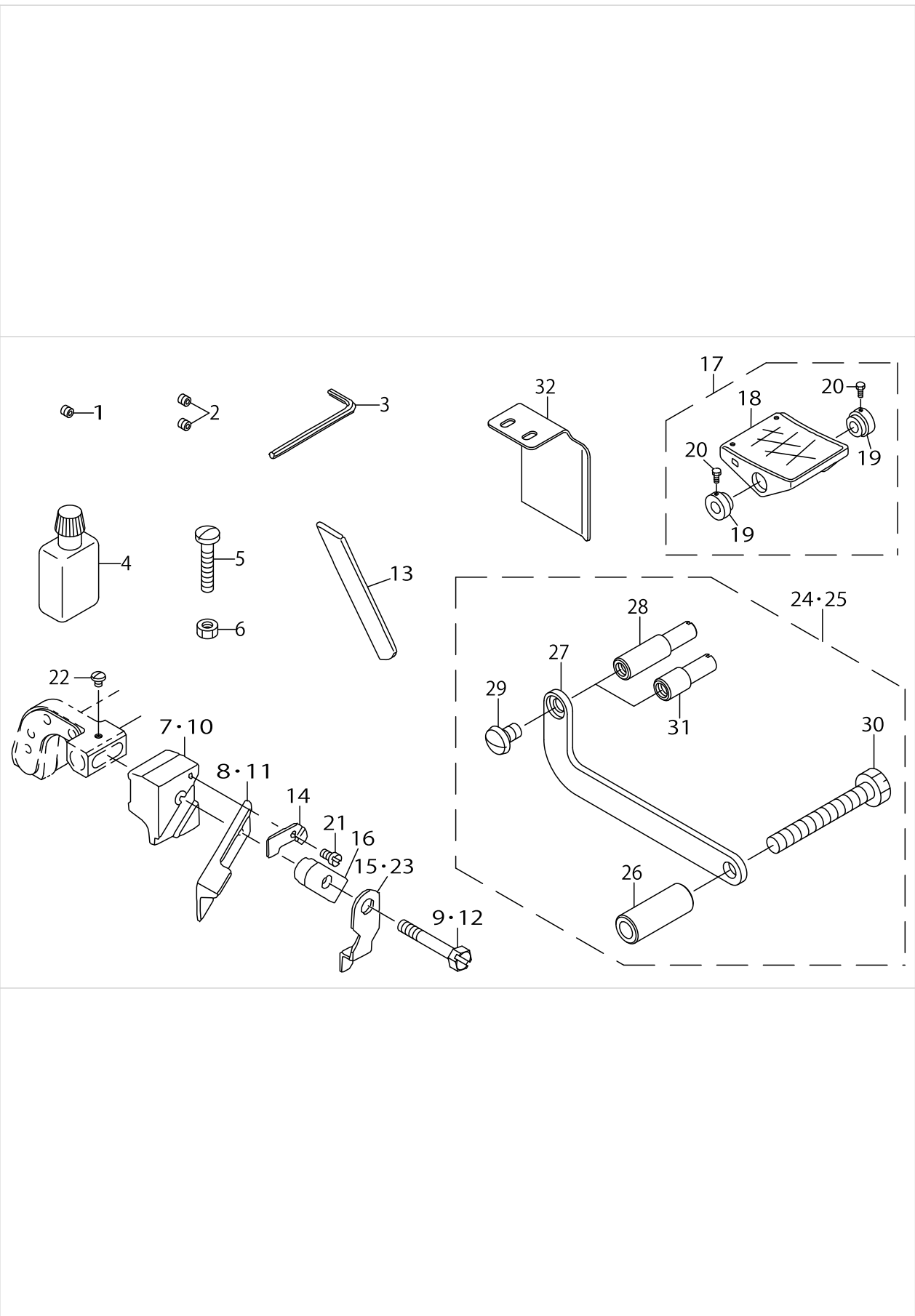
THREAD STAND COMPONENTS (FOR MO-6916G)



THREAD STAND COMPONENTS (FOR MO-6916G)

No.	Parts No.	Parts name	Remarks	Level	Cons	Qty
1	40106604	THREAD STAND ASM.				1
2	40106575	SPOOL REST LONG ARM UPPER		*		2
3	40085794	THREAD GUIDE		*		5
4	40085795	THREAD GUIDE BUSHING		*		5
5	40085787	SPOOL REST ARM UPPER		*		1
6	40085793	SPOOL REST ROD RUBBER CAP		*		1
7	40085785	SPOOL REST ROD UPPER		*		1
8	40085792	SPOOL REST ROD JOINT		*		1
9	40106581	THREAD GUIDE 5		*		1
10	40106580	THREAD GUIDE UNDER BASE		*		1
11	40106576	THREAD GUIDE ARM		*		1
12	40106579	THREAD GUIDE ARM BASE		*		1
13	40085784	SPOOL REST ROD LOWER		*		1
14	40085791	SPOOL RETAINER		*		5
15	40085790	SPOOL PIN		*		5
16	40085789	SPOOL REST CUSHION		*		5
17	40085788	SPOOL REST		*		5
18	40085786	SPOOL REST ARM LOWER		*		1
19	40106574	SPOOL REST LONG ARM LOWER		*		2
20	40096327	SPOOL REST ARM UPPER SCREW		*		3
21	40096326	SPOOL REST ARM LOWER SCREW		*		3
22	40085796	SPOOL REST ROD RUBBER CUSHION		*		2
23	40096325	SPOOL REST ROD NUT		*		1
24	40106577	SPOOL REST ARM LOWER A		*		1
25	40106578	SPOOL REST ARM LOWER B		*		1
26	SM4041201SC	SCREW M4 L=12		*		3
27	SM4042501SC	SCREW M4X0.7 L=25		*		1
28	SM4051001SE	SCREW M5 L=10		*		2
29	SM4051405SE	SCREW M5 L=14		*		2
30	SK3412001SE	WOOD SCREW D=4.1 L=20		*		2
31	NM6050001SE	NUT M5		*		15
32	NM6040002SC	NUT M4		*		4
33	WP0531001SC	WASHER M5		*		5
34	WP1612616SE	WASHER 16X30X2.6		*		2
35	WS0510002KN	SPRING WASHER M5		*		5

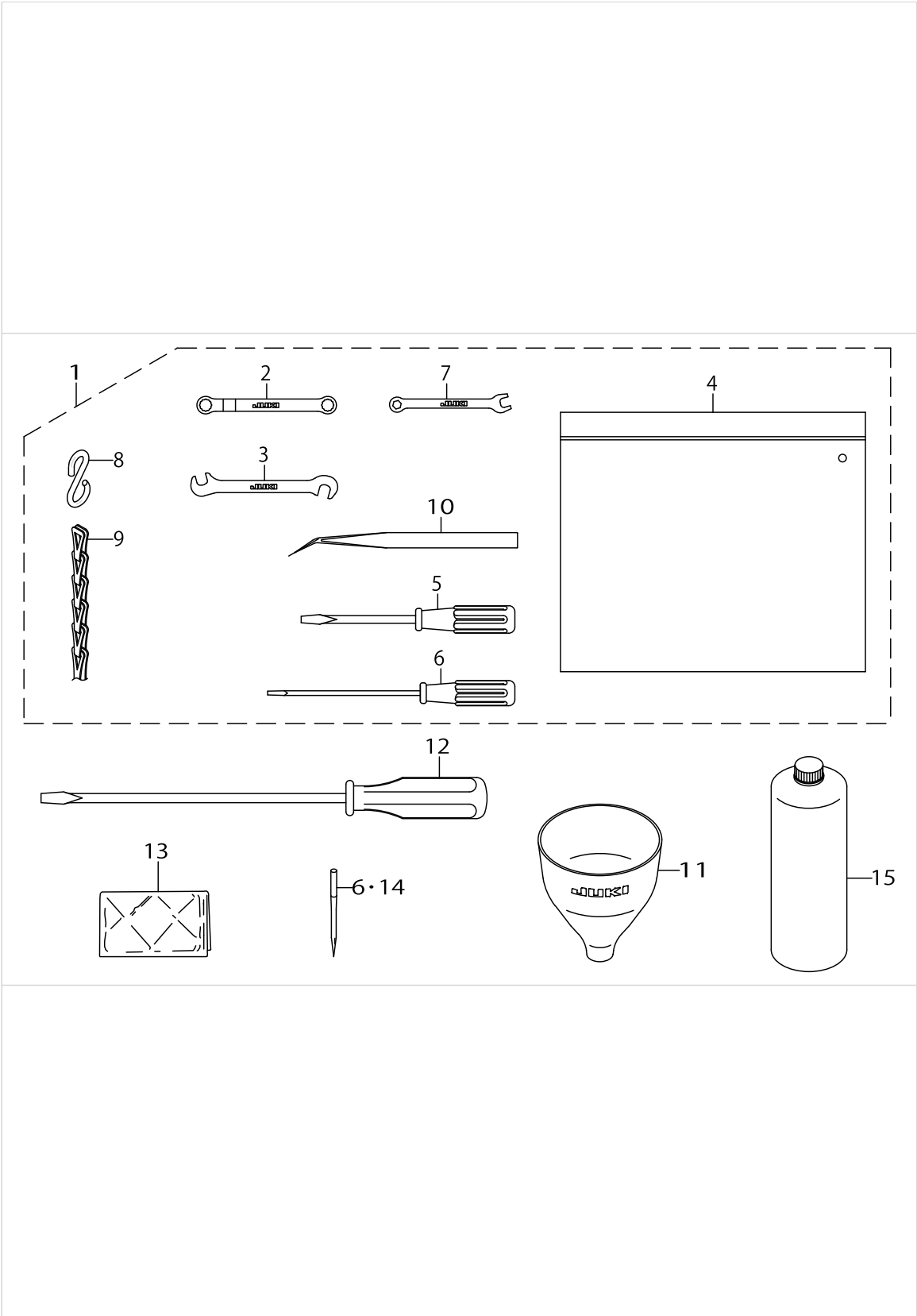
SPECIAL ORDER PARTS COMPONENTS



SPECIAL ORDER PARTS COMPONENTS

No.	Parts No.	Parts name	Remarks	Level	Cons	Qty
1	SS8080322TP	SCREW 1/8-44 L=3.2	FOR MO-6904G			1
2	SS8080322TP	SCREW 1/8-44 L=3.2	FOR MO-6914G,MO-6916G			2
3	B9112804000	SPANNER				1
4	B91351230B0	SILICON OIL LUBRICANT ASM. (30CC)				1
5	SS7092110TP	SCREW 9/64-40 L=21	FOR MO-6916G			1
6	NS6090310SP	NUT 9/64-40	FOR MO-6916G			1
7	11598000	UPPER KNIFE SUPPORT	FOR MO-6904G,MO-6914G			1
8	11565900	UPPER KNIFE	FOR MO-6904G,MO-6916G			1
9	SS9111610SP	SCREW 11/64-40 L=16	FOR MO-6904G,MO-6914G			1
10	11565405	UPPER KNIFE SUPPORT	FOR MO-6916G			1
11	B411180400E	UPPER KNIFE	FOR MO-6914G			1
12	SS9112420TP	SCREW 11/64-40 L=24	FOR MO-6916G			1
13	12005302	SINTERED LOWER KNIFE				1
14	11565702	WASHER				1
15	11565603	UPPER KNIFE COVER	FOR MO-6904G,MO-6916G			1
16	11565504	UPPER KNIFE PRESSER PLATE				1
17	11965753	PEDAL ASM.				1
18	11965704	PEDAL		*		1
19	11965803	PEDAL THRUST COLLAR		*		2
20	SM9061203SE	SCREW M6 L=12		*		2
21	SS4060310SP	SCREW 3/32-56 L=2.5				1
22	SS4060310SP	SCREW 3/32-56 L=2.5				1
23	11848405	UPPER KNIFE COVER	FOR MO-6914G			1
24	40011755	SYNCHRONIZER TURN STOPPER ASM.	FOR FOR SC-380			1
25	40025294	SYNCHRONIZER STOPPER ASM.				1
26	40011758	SYNCHRONIZER BASE COLLAR		*		1
27	40011757	SYNCHRONIZER STOPPER BASE		*		1
28	40022255	SYNCHRONIZER STOPPER		*		1
29	SS5120810SP	SCREW		*		1
30	SS9154540SP	SCREW 15/64-28 L=45		*		1
31	40011756	SYNCHRONIZER STOPPER	FOR FOR SC-380	*		1
32	40036778	V_BELT SLIDER				1

ACCESSORIES PARTS COMPONENTS



ACCESSORIES PARTS COMPONENTS

No.	Parts No.	Parts name	Remarks	Level	Cons	Qty
1	13160858	ACCESSORIE BAG ASM.				1
2	13160007	RING SPANNER		*		1
3	13160205	PIN SPANNER		*		1
4	22932800	ACCESSORIE BAG		*		1
5	22933105	SCREW DRIVER MIDDLE		*		1
6	12347308	SCREW DRIVER (SMALL)		*		1
7	13160106	SPANNER (5X6)		*		1
8	13160304	S SHAPED HOOK		*		2
9	13160403	CHAIN		*		1
10	12288403	TWEEZERS		*		1
11	13160601	FUNNEL				1
12	22933006	SCREW DRIVER LARGE				1
13	40048535	HEAD_COVER				1
14	MDO500S2104	NEEDLE DOX5 S #21S-4	FOR MO-6904G,MO-6916G			1
15	MML018900CA	JUKI MACHINE OIL 18				1
16	MDO500S1804	NEEDLE DOX5 S #18S-4	FOR MO-6914G			1

LIST FOR INFORMATION OF CHANGE

As to the place changed, refer to the corresponding Rev.No.
 When previous parts(Obsoleted part)and new parts(Added parts)are
 not interchangeable with each other:
 In this case,even obsoleted parts(D.)can be ordered with the
 obsoleted part number,so select the parts with changed dates and
 place your orders.

変更箇所は、該当Rev.No.版をご参照ください。
 部品の互換性がない変更の場合は、削除された品番でも、ご注文できます。

29362704
 No.1363-06 Rev.No.

*A:Added parts追加部品/D:Obsoleted parts削除部品/E:Erratum訂正

* Rev. No.	Page 頁	Ref. No.	Parts No. 品番	* Rev. No.	Page 頁	Ref. No.	Parts No. 品番
D 05	2	41	132-01504	A 06	2	41	401-02307
				A 06	2	53	401-50131
D 05	4	17	CM-3002000-A1	A 06	4	17	CM-3002000-01
D 05	4	36	CM-3002001-B1	A 06	4	36	CM-3013000-01
D 05	10	24	122-82802	A 06	10	24	131-19508
D 05	12	10	121-18204	A 06	12	10	700-04244
D 05	14	19	131-32550	A 06	14	19	400-59766
D 05	14	20	131-32501	A 06	14	20	400-59765
D 05	14	47	131-72853	A 06	14	47	CS-1031210-SH
D 05	14	48	131-72804	A 06	14	48	CS-1031219-SH
D 05	14	57	131-72853	A 06	14	57	CS-1031210-SH
D 05	14	58	131-72804	A 06	14	58	CS-1031219-SH
D 05	16	3	131-15258	A 06	16	3	400-96182
D 05	16	4	131-15209	A 06	16	4	400-96181
D 05	16	5	SS-6110710-TP				
D 05	16	6	SS-9151210-TP	A 06	16	5	SM-6061402-TP
D 05	16	32	121-14468	A 06	16	32	131-15654
				A 06	16	48	700-04672
				A 06	16	49	SS-8080310-TP
D 05	20	28	122-83909	A 06	20	28	131-28509
D 05	20	29	122-84006	A 06	20	29	131-28608
D 05	20	33	B2202-816-000	A 06	20	33	131-30000
D 05	24	5	SM-4040855-SP	A 06	24	5	SM-4041055-SP
D 05	27	18	SK-2351600-SC	A 06	27	18	SK-2351601-SE
D 05	27	24	SK-2351600-SC	A 06	27	24	SK-2351601-SE
D 05	28	4	SK-2351600-SC	A 06	28	4	SK-2351601-SE
D 05	32	1	131-67754	A 06	32	1	401-06593
D 05	34	1	131-67853	A 06	34	1	401-06604
D 05	36	16	131-42500				

HOW TO MAKE USE OF THIS PARTS LIST

1.Explanation of codes

1)"*"mark.....means this part is changed from the previous parts book.

As to the details of the change, refer to the "List for information of change".

2)"#01".....refer to "Note" explanation at bottom of page.

2.Codes on the "Qty" column

- Each numeral indicates the number of parts required.
- "0.1" and "2.5" indicate the length (in meters) of the respective parts.

3.Parentheses mean that the corresponding part is a subpart that constructs an assembly part.

4.Dotted lines on the Figures indicate assembly parts.

1."注記"欄の記号説明

1) "*"印.....前回のパーツブックに比較して今回変更された部品を意味します。

変更内容は、"変更情報リスト"を参照してください。

2) "#01".....ページ下の"注記"の説明を参照してください。

2.数量欄の数字は、個数を表し、0.1、2.5等の数値は、長さ（単位メートル）を表します。

3.数量欄の（ ）は、組部品を構成している子部品であることを意味します。

4.イラストページの-----枠は、組構成であることを意味します。

NUMERICAL INDEX OF PARTS

PART NO	PAGE	REF NO.	PART NO	PAGE	REF NO.	PART NO	PAGE	REF NO.
10753309	6	39	11846805	38	28	12157319	32	27
11151065	54	26	11848405	42	33·34	12160800	32	39
11151909	54	31	11848405	60	15·23	12168407	32	30
11155108	50	19	11848603	38	5	12168506	32	31
11155108	52	32	11890001	22	5	12168803	32	37
11155207	50	20	11918109	46	6	12253829	32	1
11155207	52	33	11930708	32	33	12280301	12	5
11157567	54	2	11959400	50	21	12283602	34	25
11159001	54	18	11959558	52	15	12283701	34	26
11159365	54	14	11960655	54	1	12283800	34	27
11246501	54	38	11960754	54	13	12288403	62	10
11246600	54	37	11965704	60	18	12288700	28	33
11522802	32	13	11965753	60	17	12304309	12	22
11528403	20	69	11965803	60	19	12315909	46	3
11528502	20	70	12002606	8	4	12316006	46	10
11545100	22	45	12004800	42	9	12316105	46	11
11565405	42	25·27	12004909	42	18	12317004	46	9
11565405	60	7·10	12005302	60	13	12340303	22	31
11565504	42	31	12010807	32	19	12340402	22	33
11565504	60	16	12013306	20	65	12340501	22	12
11565603	42	33·34	12013405	20	68	12340600	22	25
11565603	60	15·23	12015301	38	39	12340709	22	27
11565702	42	32	12015400	38	40	12340808	24	50
11565702	60	14	12015509	38	38	12341806	50	16
11565900	42	28·29	12025706	8	10·42	12341806	52	25
11565900	60	8·11	12102950	38	31	12341905	50	5
11566502	38	45	12103107	38	29	12341954	50	4
11566809	42	12	12103602	38	19	12342309	26	1
11598000	42	25·27	12103701	38	18	12347308	62	6·14
11598000	60	7·10	12108403	8	25	12347555	34	32
11651304	32	15	12114120	32	38	12370201	2	11·51
11651809	20	71	12116604	16	18~22	12370300	4	11·51
11680501	32	12	12116703	16	18~22	12372207	12	36
11680709	32	11	12116802	16	18~22	12372405	12	40
11700101	32	22	12116901	16	18~22	12372603	8	28
11700408	32	9	12117008	16	18~22	12374104	26	13
11700507	20	67	12118303	18	9	12374203	26	18
11701604	20	64	12119210	16	6	12375051	8	30
11804606	38	37	12129805	46	20	12375150	8	34
11806304	38	12	12129904	46	18	12375259	8	38
11825304	20	51	12132155	8	43	12375705	22	35
11826401	20	52	12132619	38	15	12375952	22	24
11829314	26	6	12132700	38	20·26	12377552	38	10·11
11840303	46	8	12133211	38	34	12377586	38	10·11
11846607	38	14	12133708	38	36	12377602	38	22

NUMERICAL INDEX OF PARTS

PART NO	PAGE	REF NO.	PART NO	PAGE	REF NO.	PART NO	PAGE	REF NO.
12377701	38	24	13104807	6	29	13119953	16	32
12377800	38	20·26	13104906	8	20	13120001	16	41
12377909	38	27	13105507	2	2	13120506	16	2
12378006	38	32	13107701	8	10·42	13120605	16	3
12378105	38	35	13107800	8	6	13120803	18	33
12378204	38	23	13108006	8	23	13120902	18	29
12378303	38	7	13108105	8	24	13121009	18	31
12381158	32	14	13108303	8	27	13121058	18	30
12381208	32	28	13108402	8	8	13121108	20	75
12381257	32	26	13108501	8	9	13121207	18	43
12381307	32	29	13108600	8	18	13121256	18	42
12381406	32	32	13110002	12	15	13121306	18	40
12381752	32	4	13110507	12	2	13121405	18	26
12382503	20	66	13110556	12	1	13121603	20	49
12383501	22	9	13110606	12	4	13121900	18	45
12383600	22	7	13111208	12	34	13122007	14	49~52
12384202	22	4	13111307	12	35	13122007	16	35~38
12384400	26	5	13115001	28	1	13122007	42	13~16
12384509	38	41	13115100	28	2	13122106	14	49~52
12386603	12	31	13115407	28	8	13122106	16	35~38
13100805	2	16	13115654	28	32	13122106	42	13~16
13100904	2	15	13115753	28	9	13122205	14	49~52
13101001	2	21	13115803	28	10	13122205	16	35~38
13101209	2	18	13115902	28	11	13122205	42	13~16
13101308	2	30	13116009	28	12	13122304	14	49~52
13101407	2	19	13116108	28	13	13122304	16	35~38
13101506	2	25	13116207	28	18	13122304	42	13~16
13101605	2	26	13116306	28	20	13122502	16	13
13101704	2	28	13116405	28	22	13122700	18	18
13101803	2	32	13116504	28	23	13122809	18	24
13101902	2	36	13116603	28	24	13123302	18	39
13102058	2	35	13116702	32	2	13123302	28	44
13102207	2	45	13116801	28	7	13126008	26	4
13102405	2	3	13116900	28	21	13126206	26	10
13102504	6	20	13117007	28	19	13126305	26	11
13102553	6	19	13117106	28	34	13126354	26	9
13102603	6	23	13118054	16	1	13126503	26	19~22
13102702	38	46	13118708	16	16	13126602	26	19~22
13102900	6	38	13119300	16	14	13126701	26	19~22
13103650	2	34	13119409	16	23	13126800	26	19~22
13103809	2	13	13119508	16	24	13126909	26	3
13103908	6	24	13119607	16	25	13127006	26	17
13104104	2	1·52	13119706	16	39	13127204	26	23~26
13104302	2	44	13119805	16	42	13127303	26	23~26
13104500	6	10	13119904	16	33	13127402	26	23~26

NUMERICAL INDEX OF PARTS

PART NO	PAGE	REF NO.	PART NO	PAGE	REF NO.	PART NO	PAGE	REF NO.
13127501	26	23~26	13143805	46	27	13161005	52	1
13128103	26	16	13144001	46	30	13161153	50	3
13128509	34	28	13144100	46	39	13161153	52	26
13128608	34	29	13144209	46	40	13162557	44	6
13128707	34	30	13147400	42	7	13162565	44	7
13129101	34	34·35	13147509	42	2	13162573	44	8
13129259	34	31	13147558	42	1	13162805	44	19
13129309	22	21	13150503	42	17	13162904	44	21
13129309	26	7	13150800	42	11	13163001	44	22
13130000	34	33	13150909	42	5	13163159	44	16
13131800	22	46	13151006	42	6	13163167	44	17
13132600	22	23	13151105	40	48	13163175	44	18
13137559	34	2	13151303	42	4	13163456	44	1
13137609	34	15	13155007	50	15	13163803	44	2
13137708	34	10~13	13155106	52	17	13163902	44	3
13137807	34	6~9	13155205	52	18	13170006	6	9
13137906	34	16	13155304	52	27	13170105	6	21
13138003	34	19	13155403	50	13	13170204	6	11
13138102	34	17	13155403	52	16	13170204	18	34
13138201	34	47	13155502	50	10	13170303	8	14
13138201	36	47	13155502	52	22	13170402	28	37
13138359	34	3	13155601	50	8	13170501	20	48
13138409	34	10~13	13155601	52	20	13170600	22	16
13138508	34	6~9	13155700	50	9	13170808	46	34
13138656	34	4	13155700	52	21	13171004	6	22
13138706	34	10~13	13155759	50	7	13172507	16	11
13138805	34	6~9	13155759	52	19	13172556	16	10
13138904	34	14	13155858	52	5	13172705	14	55
13139555	34	46	13155908	52	8	13172754	14	54
13139605	36	49	13156005	52	9	13172903	2	38
13139704	36	52	13156104	52	10	13200209	6	1
13139803	36	51	13156203	52	6	13200308	6	2
13139902	36	50	13156302	52	7	13200407	6	5
13140009	36	48	13156500	50	14	13200605	6	6
13140108	34	10~13	13160007	62	2	13200704	2	7
13140207	34	6~9	13160106	62	7	13200803	2	8
13140355	34	5	13160205	62	3	13200902	20	77
13142500	46	25	13160304	62	8	13201009	6	12
13142609	14	48	13160403	62	9	13201108	6	28
13142609	46	38	13160601	62	11	13201207	6	33
13142955	46	33	13160700	6	43	13201306	6	32
13143300	46	29	13160858	62	1	13201405	6	16
13143417	46	43	13160908	50	2	13201454	6	15
13143508	46	44	13160908	52	2	13201603	2	42
13143706	48	48	13161005	50	1	13204003	6	35

NUMERICAL INDEX OF PARTS

PART NO	PAGE	REF NO.	PART NO	PAGE	REF NO.	PART NO	PAGE	REF NO.
13205406	8	19	13216601	16	28	13255104	14	63
13205505	8	2	13216700	16	29	13255203	14	64
13205554	8	1	13216809	16	26	13343009	46	4
13207600	12	19	13217104	18	17	22901805	6	37
13207709	12	18	13217351	18	47	22921407	36	53
13207808	12	20	13217401	20	57	22924708	6	8
13207907	12	7	13217500	20	58	22932800	62	4
13207956	12	6	13217708	18	36	22933006	62	12
13208004	14	68	13217807	16	5·31	22933105	62	5
13208103	14	69	13217906	16	5·31	23630007	12	45
13208459	12	42	13218003	20	54	23630007	48	54
13208509	12	43	13218052	20	50	31018005	48	60
13208608	12	47	13218102	20	56	31200900	4	1·52
13208707	12	30	13220009	26	15	31203201	12	24
13208806	12	28	13220108	26	34	31203300	12	27
13208905	12	29	13221304	22	8	40010804	24	55
13209101	12	9~11	13221403	24	60~62	40010805	26	12
13209200	12	9~11	13221502	24	60~62	40011234	22	11
13209309	12	9~11	13221601	24	60~62	40011755	60	24·25
13209408	12	12~14	13221700	24	63~65	40011756	60	31
13209507	12	12~14	13221809	24	63~65	40011757	60	27
13209606	12	12~14	13221908	24	63~65	40011758	60	26
13210109	12	17	13222401	22	29	40014729	14	61
13210158	12	16	13222609	22	2	40014730	12	26
13210208	12	38	13222708	22	3	40016762	46	12
13210307	12	39	13224001	24	52	40016763	46	16
13212709	28	35	13225008	34	1	40017714	8	47
13212808	28	41	13225107	34	45	40017824	8	41
13212915	28	43	13228655	46	23	40018044	46	2
13213012	18	38	13228804	48	55	40019900	46	1
13213012	28	42	13228903	48	59	40022239	8	17
13213301	28	39	13229000	48	61	40022255	60	28
13215108	18	2	13229109	48	57	40025294	60	24·25
13215157	18	1	13229208	48	51	40026021	22	10
13215207	18	3	13229307	46	19	40034897	28	31
13215306	18	4	13229356	46	17	40035711	10	49
13215405	18	5	13229406	48	58	40036778	60	32
13215504	18	6	13230008	46	47	40037392	6	44
13215603	18	7	13230107	46	45	40040065	6	45
13215702	18	11	13240007	4	48~50	40048535	62	13
13215900	18	13	13240106	4	48~50	40059765	22	20
13216007	18	14	13240205	4	48~50	40059766	22	19
13216106	18	19	13244009	12	46	40085784	56	10
13216205	18	21	13244108	16	30	40085784	58	13
13216304	18	23	13255005	14	62	40085785	56	14

NUMERICAL INDEX OF PARTS

PART NO	PAGE	REF NO.	PART NO	PAGE	REF NO.	PART NO	PAGE	REF NO.
40085785	58	7	40106582	56	19	CS1111019SH	42	22
40085786	58	18	40106593	56	1	CS111101HSH	42	21
40085787	58	5	40106604	58	1	D8113555B00	54	33
40085788	56	21	40150131	4	53	D8204555D00	50	22
40085788	58	17	70004244	18	10	D8204555D00	52	34
40085789	56	12	70004672	30	48	EA9500B0100	12	21
40085789	58	16	B1215804000	8	21·22	GPF06060000	54	15
40085790	56	22	B1422804A00	22	37~41	GPF06070000	54	16
40085790	58	15	B1422804B00	22	37~41	GPF06080000	54	17
40085791	56	23	B1422804C00	22	37~41	MDO500S1800	12	25
40085791	58	14	B1422804D00	22	37~41	MDO500S1804	62	16
40085792	56	16	B1422804E00	22	37~41	MDO500S2100	14	66
40085792	58	8	B1508804000	32	21	MDO500S2104	62	6·14
40085793	56	15	B1510814000	32	24	MML018900CA	62	15
40085793	58	6	B1511814000	32	18	NM6040002SC	56	30
40085794	56	4	B1514816000	32	34	NM6040002SC	58	32
40085794	58	3	B2119816A00	26	27~31	NM6050001SE	56	29
40085795	56	3	B2119816B00	26	27~31	NM6050001SE	58	31
40085795	58	4	B2119816C00	26	27~31	NM6060003SC	28	25
40085796	56	13	B2119816D00	26	27~31	NM6080001SE	54	21
40085796	58	22	B2119816E00	26	27~31	NM6080600SM	52	29
40096181	28	4	B2530704000	24	56	NM6080721SE	54	32
40096182	28	3	B3534352000	46	7	NS6090310SN	2	5
40096325	56	11	B411180400E	42	28·29	NS6090310SP	42	38
40096325	58	23	B411180400E	60	8·11	NS6090310SP	50	12
40096326	56	8	B71140120A0	54	25	NS6090310SP	52	24
40096326	58	21	B81517710A0	54	27	NS6090310SP	60	6
40096327	56	5	B8152771000	54	39	NS6110310SP	46	52
40096327	58	20	B8153771000	54	40	NS6110310SP	48	52
40102307	2	41	B9112804000	60	3	NS6110420SP	2	46
40106574	56	7	B91351230B0	60	4	NS6110420SP	28	26
40106574	58	19	BP30000010R	46	62	NS6110420SP	34	20
40106575	56	2	BP30000010R	48	62	NS6240630SE	50	23
40106575	58	2	CM300200001	2	40	NS6240630SE	52	40
40106576	56	17	CM300200001	6	17	NS6620320SP	16	40
40106576	58	11	CM301300001	6	36	NS6680410SP	6	27
40106577	56	6	CM600100101	6	46	PS0200052KH	34	22
40106577	58	24	CQ200000000	12	44	PS0200062KH	26	32
40106578	56	9	CQ202000000	14	58	PS0300062KH	22	18
40106578	58	25	CQ202000000	24	53	PS0300142KH	28	16
40106579	56	18	CQ202000000	48	50	R4300J6FL00	38	1
40106579	58	12	CQ252000000	14	60	R4306J6HJ00	38	2
40106580	56	20	CS1031210SH	22	57	R4612J6HL00	38	3
40106580	58	10	CS1031210SH	24	57	RE0300000K0	18	37
40106581	58	9	CS1031219SH	24	58	RE0300000K0	28	47

NUMERICAL INDEX OF PARTS

PART NO	PAGE	REF NO.	PART NO	PAGE	REF NO.	PART NO	PAGE	REF NO.
RE050000K0	18	41	SM4051601SC	46	35	SS4091015SP	44	23
SB110000300	8	21-22	SM4060801SE	48	65	SS4110515SP	12	33
SD0600341TP	34	36	SM6040600SP	18	22	SS4110515SP	34	43
SD0640241SP	28	15	SM6051202TP	16	34	SS4110615SP	34	24
SD0720271SP	20	59	SM6051202TP	20	55	SS4112215SP	46	13
SD0720803TH	26	33	SM6051202TP	26	14	SS4120615SP	2	12
SK2351601SE	50	24	SM6061200SP	22	17	SS4151215SP	6	18
SK2351601SE	52	4	SM6061200SP	28	27	SS5080212TP	8	3
SK3311500SC	50	25	SM6061202TP	8	37	SS5090610SP	50	11
SK3311500SC	52	35	SM6061402TP	12	8	SS5090610SP	52	23
SK3412001SE	6	40	SM6061402TP	16	7	SS5110710SP	6	31
SK3412001SE	56	28	SM6061402TP	28	5	SS5110710SP	50	17
SK3412001SE	58	30	SM6061402TP	42	3	SS5110710SP	52	38
SK3513200SC	50	26	SM6061802TP	46	21	SS5120810SP	60	29
SK3513200SC	52	31	SM8040302TP	2	39	SS5150510SP	34	44
SL9061291SE	54	24	SM8040402TP	28	38	SS6060210SP	32	17
SL9082091SE	54	22	SM8050402TP	26	36	SS6060340SP	32	36
SM1040801SC	2	10	SM8050412TP	28	30	SS6060440TP	22	1
SM1040801SC	6	13	SM8050412TP	46	5	SS6060440TP	32	23
SM4030455SP	18	16	SM8050502TP	46	42	SS6080320SP	16	15
SM4040655SP	2	31	SM8050602TP	26	35	SS6080340SP	20	78
SM4040655SP	22	30	SM9061203SE	54	34	SS6080340SP	28	17
SM4040855SP	2	43	SM9061203SE	60	20	SS6080410SP	20	53
SM4040855SP	6	14	SM9082023SE	54	28	SS6080410SP	22	28
SM4040855SP	8	26	SM9082513CF	52	28	SS6080720SP	12	23
SM4040855SP	12	41	SQ0000451MZ	48	63	SS6081210TP	10	48
SM4040855SP	18	35	SQ1110401MZ	46	15	SS6090420SP	52	11
SM4041055SP	2	17	SQ1110451MZ	46	53	SS6090620TP	18	8
SM4041055SP	20	60	SQ1110451MZ	48	53	SS6090620TP	22	44
SM4041055SP	44	5	SQ1150441SD	48	64	SS6090630TP	22	15
SM4041201SC	56	24	SQ1150451MZ	46	37	SS6090630TP	50	27
SM4041201SC	58	26	SQ1150454SD	46	26	SS6090630TP	52	37
SM4041455SN	16	27	SS1060610SP	18	20	SS6090670TP	12	37
SM4042501SC	56	26	SS2090520SL	2	4	SS6090670TP	32	35
SM4042501SC	58	27	SS2110910SL	38	4	SS6090810SP	46	14
SM4050855SP	8	7	SS3090610SP	2	6	SS6110610TP	38	17
SM4050855SP	34	38	SS3090610SP	22	51	SS6110710TP	26	38
SM4050855SP	46	28	SS3090610SP	24	51	SS6111040SP	42	8
SM4051001SE	56	27	SS4060310SP	42	36	SS6111440SP	2	47
SM4051001SE	58	28	SS4060310SP	60	22	SS6111610SP	42	10
SM4051055SP	38	8	SS4080620TP	20	72	SS6121020SP	28	40
SM4051255SP	6	7	SS4090415SP	34	42	SS6121020SP	46	46
SM4051255SP	18	25	SS4090515SP	18	27	SS6121220TP	16	4
SM4051405SE	56	25	SS4090615SP	22	13	SS6151440SP	38	47
SM4051405SE	58	29	SS4091015SP	2	14	SS6661110SP	18	46

NUMERICAL INDEX OF PARTS

PART NO	PAGE	REF NO.	PART NO	PAGE	REF NO.	PART NO	PAGE	REF NO.
SS7060310SP	18	12	SS8110520TP	48	66	WP0871602SE	54	30
SS7060310SP	48	49	SS8151150TP	8	5	WP1002036SE	50	28
SS7060510SP	32	3	SS8660330SP	18	32	WP1002036SE	52	39
SS7060510SP	38	43	SS8660330SP	42	23	WP1612616SE	56	32
SS7060610SP	24	54	SS8660610TP	14	56	WP1612616SE	58	34
SS7080520SP	32	25	SS8660610TP	24	59	WS0510002KN	56	33
SS7090510SP	38	42	SS9090410TP	22	43	WS0510002KN	58	35
SS7090530SP	2	20	SS9090610TP	22	42	WS0621210KR	54	35
SS7090610SP	2	22	SS9090823TP	42	19	WS0822010KP	6	26
SS7090610SP	38	44	SS9111010SP	20	73	WS0861410KR	54	29
SS7090610SP	44	20	SS9111010SP	38	21	WS1002560KR	50	29
SS7090611SL	6	34	SS9111050SP	20	74	WS1002560KR	52	36
SS7090710SP	38	25	SS9111610SP	42	26-30	WZ0420350KP	2	37
SS7090850SP	22	26	SS9111610SP	60	9-12	WZ0640312K0	34	37
SS7091410SP	2	33	SS9112420TP	42	26-30	WZ0850302K0	6	30
SS7092110TP	42	37	SS9112420TP	60	9-12	WZ2640310KH	8	15
SS7092110TP	60	5	SS9151210TP	22	22			
SS7110510SP	2	27	SS9151210TP	26	8			
SS7110510SP	28	14	SS9154540SP	60	30			
SS7110710SL	34	23	SS9681610TP	8	12			
SS7110710SP	2	29	ST60308210A	52	13			
SS7110720SP	38	13	TA0400301M0	46	41			
SS7110720TP	26	39	TA0800504R0	20	76			
SS7110840SP	8	46	TA0950806R0	44	4			
SS7110840SP	22	36	TA1030402R0	16	8			
SS7110840SP	28	28	TA1871602R0	6	41			
SS7110840SP	38	9	TA2050416R0	16	9			
SS7110840SP	42	24	TA2050805R0	6	42			
SS7110840SP	44	15	WP0320500SD	32	40			
SS7110910TP	16	17	WP0370316SD	42	20			
SS7111410TP	8	40	WP0370316SD	52	14			
SS7111410TP	28	29	WP0371016SD	18	28			
SS7111810TP	8	44	WP0371026SD	44	24			
SS7150740SP	28	45	WP0460556SD	20	61			
SS7151120SP	38	30	WP0460556SD	28	46			
SS7161040SP	28	6	WP0480856SP	20	62			
SS8080310TP	14	67	WP0531001SC	56	31			
SS8080310TP	30	49	WP0531001SC	58	33			
SS8080322TP	60	2	WP0621016SD	20	63			
SS8090530TP	14	59	WP0621036SP	38	16			
SS8110410TP	2	24	WP0651056SD	46	22			
SS8110410TP	16	12	WP0671016SE	54	36			
SS8110410TP	18	44	WP0751576SD	6	25			
SS8110410TP	34	21	WP0764016SP	8	13			
SS8110422TP	26	37	WP0850002SC	52	30			