

MODEL : LZ-2290A/LZ-2290A-7/LZ-2290A-SR-7

List No : 1361-13

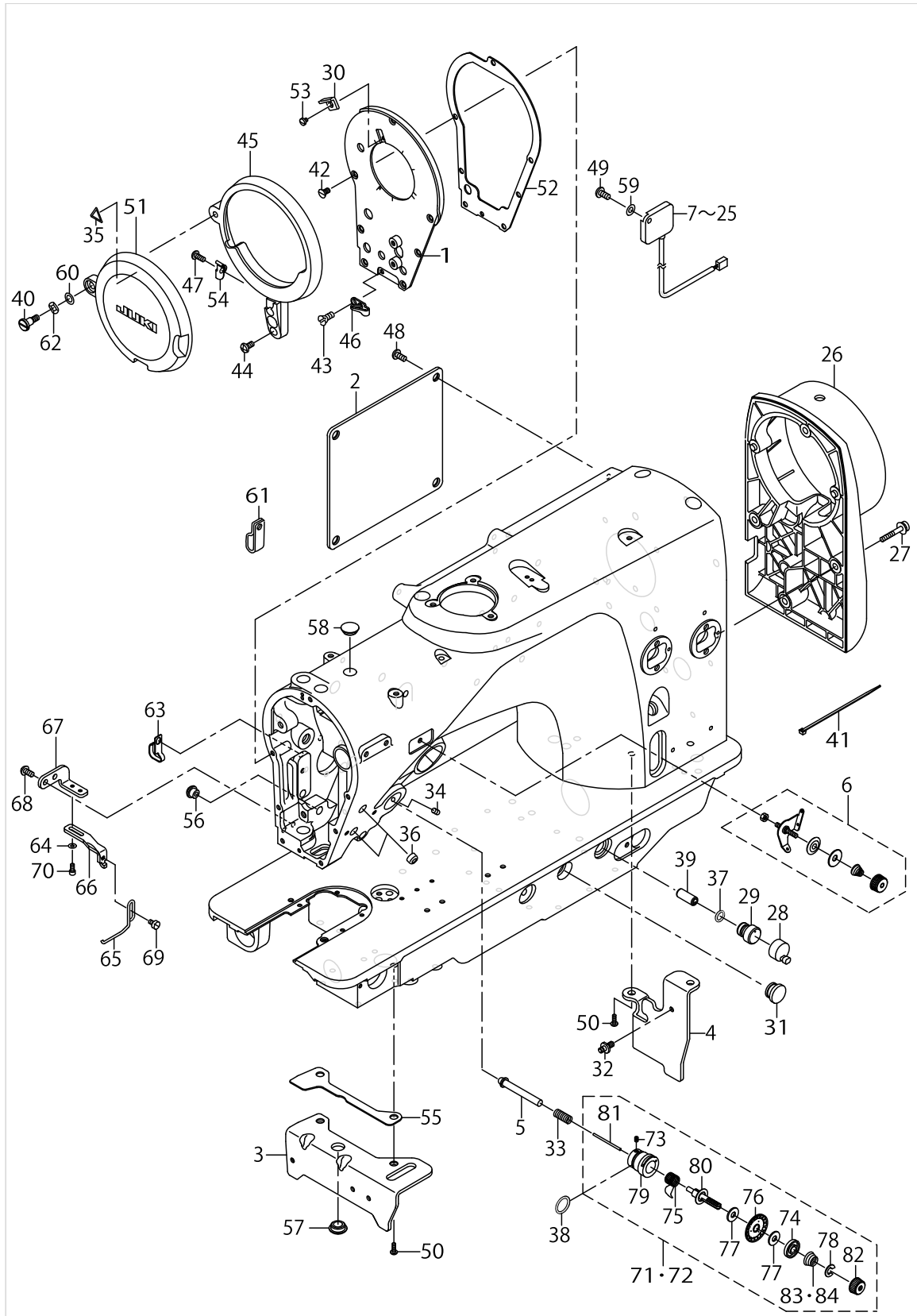
PARTS LIST

Published:11/30/2017

CONTENTS

FRAME & MISCELLANEOUS COVER COMPONENTS (1)	1
FRAME & MISCELLANEOUS COVER COMPONENTS (2)	5
MAIN SHAFT & THREAD TAKE-UP & NEEDLE BAR COMPONENTS	11
NEEDLE VIBRATOR COMPONENTS.....	15
HAND LIFTER COMPONENTS	17
FEED MECHANISM COMPONENTS (1).....	19
FEED MECHANISM COMPONENTS (2)(EXCEPT LZ-2290A-SR-7)	23
FEED MECHANISM COMPONENTS (3)(FOR LZ-2290A-SR-7).....	25
FEED MECHANISM COMPONENTS (4)(FOR LZ-2290A-SR-7).....	29
HOOK DRIVING SHAFT COMPONENTS (1)	31
HOOK DRIVING SHAFT COMPONENTS (2)	33
THREAD TRIMMER MECHANISM COMPONENTS(FOR LZ-2290A-SS-7,LZ-2290A-SU-7,	35
LZ-2290A-SR-7)	
FEED MECHANISM COMPONENTS(FOR LZ-2290A-SU,LZ-2290A-SU-7,LZ-2290A-DU,	39
LZ-2290A-DU-7)	
AUTOMATIC REVERSE FEED MECHANISM COMPONENTS(FOR LZ-2290A-SS-7,LZ-2290A-	41
SU-7)	
THREAD FEEDER COMPONENTS.....	43
MANUAL SWITCH COMPONENTS (FOR LZ-2290A-SS,LZ-2290A-SU)	45
MANUAL SWITCH COMPONENTS (FOR LZ-2290A-SS-0B,LZ-2290A-SU-0B).....	47
THREAD RELEASE SOLENOID COMPONENTS(FOR LZ-2290A-SS-7,LZ-2290A-SU-7,	49
LZ-2290A-SR-7)	
LUBRICATION COMPONENTS(EXCEPT LZ-2290A-DS,LZ-2290A-DS-7,LZ2290A-DU,	53
LZ-2290A-DU-7)	
WIPER MECHANISM COMPONENTS(FOR LZ-2290A-SS-7-WB,LZ-2290A-SU-7-WB,	57
LZ-2290A-SR-7-WB)	
UNDER COVER COMPONENTS	59
THREAD STAND COMPONENTS.....	61
IT-110 PANEL COMPONENTS	63
SC-915/SC-916 TRANSMISSION COMPONENTS (1).....	65
SC-915/SC-916 TRANSMISSION COMPONENTS (2).....	69
SC-915/SC-916 ACCESSORIE PARTS COMPONENTS.....	71
ACCESSORIE PARTS COMPONENTS	73
COMMON PARTS FOR LZ-2290A-DS,LZ-2290A-DS-7,LZ-2290A-DU,LZ-2290A-DU-7	75
CB TYPE (1) (PRESSER FOOT COMPONENTS).....	77
CB TYPE (2) (THREAD HOLDER & AIR COMPONENTS)	79
CB TYPE (3) (WIPER MECHANISM COMPONENTS)	81
SPECIAL ORDER PARTS LZ-2290A (1).....	83
SPECIAL ORDER PARTS LZ-2290A (2).....	87
SPECIAL ORDER PARTS LZ-2290A (3).....	89
LIST FOR INFORMATION OF CHANGE.....	91
HOW TO MAKE USE OF THIS PARTS LIST	92

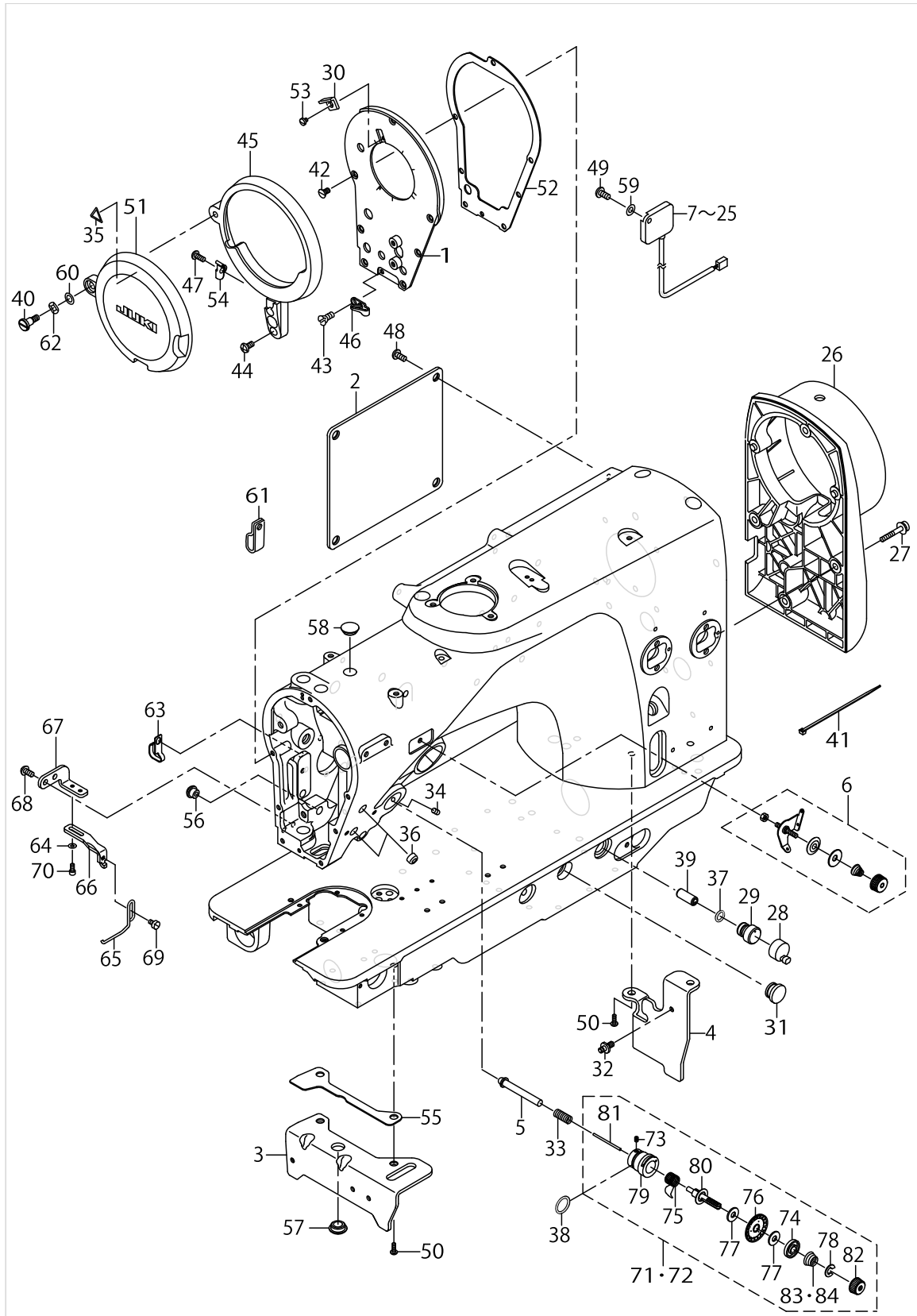
FRAME & MISCELLANEOUS COVER COMPONENTS (1)



FRAME & MISCELLANEOUS COVER COMPONENTS (1)

No.	Parts No.	Parts name	Remarks	Level	Cons	Qty
1	23500978	FACE PLATE COMPL.				1
2	23526205	SIDE PLATE				1
3	40003586	BED SUPPORT PLATE				1
4	23526403	BED SUPPORT PLATE B				1
5	40011123	THREAD RELEASE AUXILIARY PIN				1
6	22528764	PRE-TENSION CONTROLLER ASM.				1
7	M6095350CAA	RESISTANCE PACK CA ASM.	FOR LZ-2290A-SU-OB/ LZ-2290-A-SU-7-WB VARIOUS NOS.FOR DESTINATIONS			1
8	M6096350CAL	RESISTANCE PACK CL ASM.	FOR LZ-2290A-SS-7-OB/ LZ-229-0A-SS-7-WB VARIOUS NOS.FOR DESTINATIONS			1
9	M6095350CAF	RESISTANCE PACK CF ASM.	FOR LZ-2290A-SU-OB/ LZ-2290-A-SU-7-WB VARIOUS NOS.FOR DESTINATIONS			1
10	M6096350CAF	RESISTANCE PACK CF ASM.	FOR LZ-2290A-SS-7-OB/ LZ-229-0A-SS-7-WB VARIOUS NOS.FOR DESTINATIONS			1
11	40003625	RESISTANCE PACK CB 40	FOR LZ-2290A-SS-7-CB VARIOUS NOS.FOR DESTINATIONS			1
12	40003626	RESISTANCE PACK CB 45	FOR LZ-2290A-SS-7-CB VARIOUS NOS.FOR DESTINATIONS			1
13	40003623	RESISTANCE PACK CB 40U	FOR LZ-2290A-SU-7-CB VARIOUS NOS.FOR DESTINATION			1
14	40003624	RESISTANCE PACK CB 45U	FOR LZ-2290A-SU-7-CB VARIOUS NOS.FOR DESTINATION			1
15	M6100350CAA	RESISTANCE PACK CA ASM.	FOR LZ-2290A-DS/ LZ-2290A-DS-0B/ LZ-2290A-DU/ LZ-2290A-DU-0B			1
16	M6097350CAA	RESISTANCE PACK CA ASM.	FOR LZ-2290A-DS-7-WB/ LZ-2290A-DU-7-WB			1
17	40003627	RESISTANCE PACK CB 45D	FOR LZ-2290A-DS-7-CB/ LZ-2290A-DU-7-CB			1
18	M6099350CAF	RESISTANCE PACK CF ASM.	FOR LZ-2290A-SS/ LZ-2290A-SS-0B VARIOUS NOS.FOR DESTINATIONS			1
19	M6099350CAL	RESISTANCE PACK CL ASM.	FOR LZ-2290A-SS/ LZ-2290A-SS-0B VARIOUS NOS.FOR DESTINATIONS			1
20	M6098350CAF	RESISTANCE PACK CF ASM.	FOR LZ-2290A-SU/ LZ-2290A-SU-0B VARIOUS NOS.FOR DESTINATIONS			1
21	M6098350CAA	RESISTANCE PACK CA ASM.	FOR LZ-2290A-SU/ LZ-2290A-SU-0B VARIOUS NOS.FOR DESTINATIONS			1
22	40017100	RESISTANCE PACK WB40	FOR LZ-2290A-SR-7-WB VARIOUS NOS.FOR DESTINATIONS			1
23	40017101	RESISTANCE PACK CB40	FOR LZ-2290A-SR-7-CB VARIOUS NOS.FOR DESTINATIONS			1
24	40017102	RESISTANCE PACK WB45	FOR LZ-2290A-SR-7-WB VARIOUS NOS.FOR DESTINATIONS			1
25	40017103	RESISTANCE PACK CB45	FOR LZ-2290A-SR-7-CB VARIOUS NOS.FOR DESTINATIONS			1
26	23600604	PULLEY COVER				1
27	SL6052592TN	BOLT				4
28	23601305	AIR-DISCHARGING CAP				1
29	23629900	AIR-DISCHARGING				1
30	10001709	TAKE-UP THREAD CUTTER				1
31	TA1250705R0	RUBBER PLUG				1
32	13747308	SUSPENSION SCREW				1
33	22920409	THREAD RELEASE PIN SPRING				1
34	SS8110750SP	SCREW 11/64-40 L=6.5				1
35	CM300200001	ATTENTION SEAL				1
36	GPR01015000	DRIVING STOPPER RUBBER				2
37	RO080150200	RUBBER RING				1
38	RO133170100	RUBBER RING				1
39	PS0800202KH	SPRING PIN 8X20				1
40	SD0640751SP	HINGE SCREW D=6.35 H=7.5				1
41	EA9500B0100	CABLE BAND				1

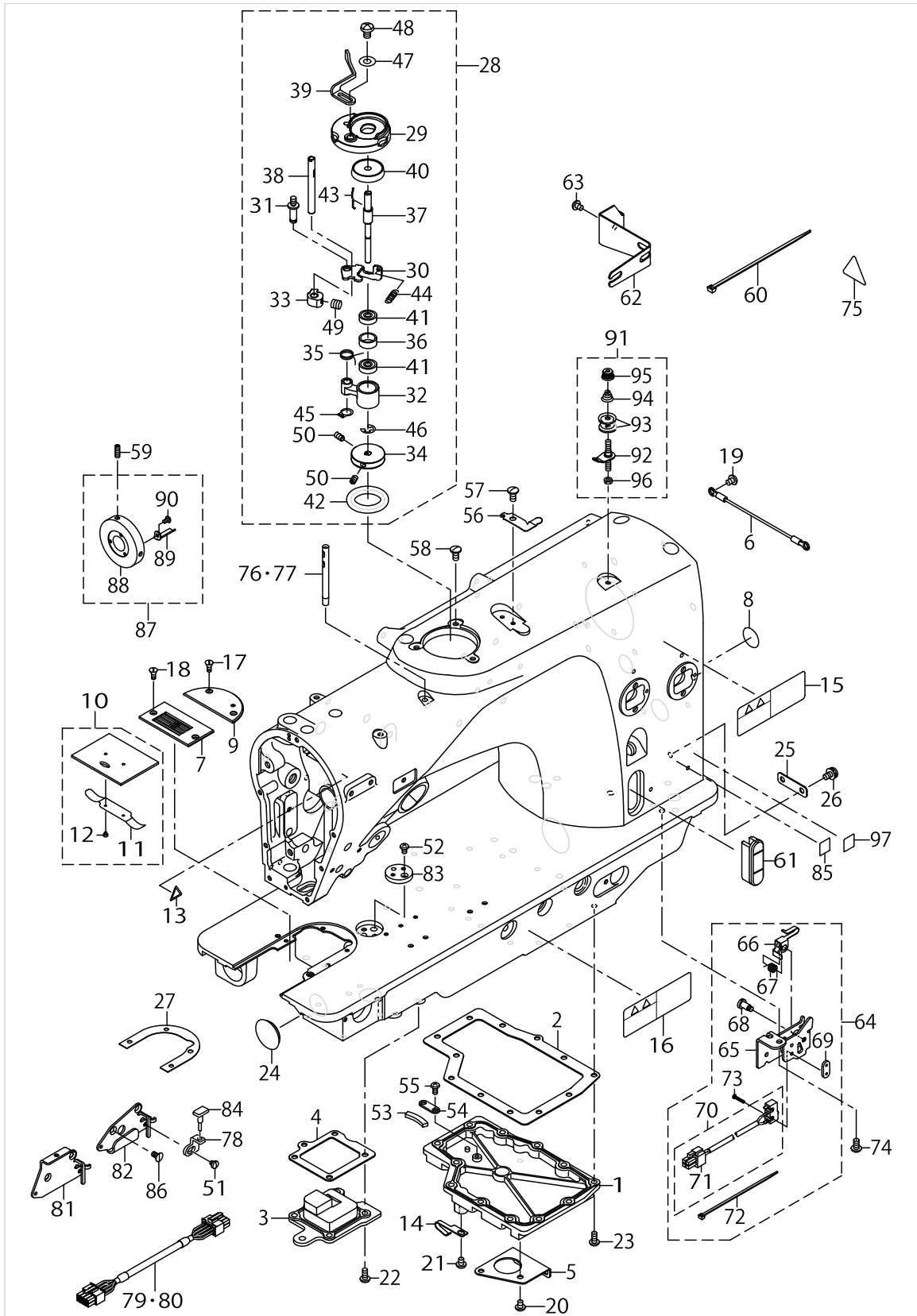
FRAME & MISCELLANEOUS COVER COMPONENTS (1)



FRAME & MISCELLANEOUS COVER COMPONENTS (1)

No.	Parts No.	Parts name	Remarks	Level	Cons	Qty
42	SS1110710SP	SCREW 11/64-40 L=7				7
43	SS2090710TP	SCREW 9/64-40 L=7.2				1
44	SS4110915SP	SCREW 11/64-40 L=9				2
45	26305102	BALANCE COVER BASE				1
46	26305409	BALANCE THREAD GUIDE B				1
47	SS4120615SP	SCREW 3/16-28 L=6				1
48	SS4120915SP	SCREW 3/16-28 L=9				4
49	SS4121015SP	SCREW 3/16-28 L=10				1
50	SS4150915SP	SCREW 15/64-28 L=9				4
51	22502108	BALANCE COVER				1
52	23527401	FACE PLATE PACKING				1
53	SS7080410SP	SCREW 1/8-44 L=3.8				1
54	26305300	BALANCE COVER STOPPER SPRING				1
55	40003588	HEAD SUPPORT A PAKING				1
56	TA0800504R0	PLUG D=8 L=4.5				1
57	TA1250406R0	RUBBER PLUG D=12.5 L=4				1
58	TA1250406R0	RUBBER PLUG D=12.5 L=4				3
59	WP0501016SD	WASHER 5X10.5X1				1
60	WP0651056SD	WASHER 6.5X11X1				1
61	D2112555B00	CORD HOLDER LARGE				2
62	WZ0641510KP	WAVED WASHER 6.4X11X0.3				1
63	40022407	CORD HOLDER				1
64	WP03305000E	WASHER 3.3X6X0.5	VARIOUS NOS.FOR DESTINATIONS			2
65	22529002	SUPPORT BALANCE	VARIOUS NOS.FOR DESTINATIONS			1
66	22529101	SUPPORT BALANCE BASE	VARIOUS NOS.FOR DESTINATIONS			1
67	22529200	MOUNTING BASE	VARIOUS NOS.FOR DESTINATIONS			1
68	SS4110915SP	SCREW 11/64-40 L=9	VARIOUS NOS.FOR DESTINATIONS			2
69	SS6090540SP	SCREW 9/64-40 L=5.0	VARIOUS NOS.FOR DESTINATIONS			1
70	SS6580752TP	SCREW 1/8-40 L=7	VARIOUS NOS.FOR DESTINATIONS			2
71	40003633	THREAD TENSION ASM. A	VARIOUS NOS.FOR DESTINATIONS			1
72	40003634	THREAD TENSION ASM. B	VARIOUS NOS.FOR DESTINATIONS			1
73	SS8090670SP	SCREW 9/64-40 L=5.5		*		1
74	10006005	TENSION DISC HOLDER		*		1
75	23538309	THREAD TAKE-UP SPRING		*		1
76	23547557	THREAD TENSION T COMPL.		*		1
77	22528509	FELT		*		4
78	22921407	ROTATION STOPPER		*		1
79	23537665	THREAD TENSION ROD BASE ASM.		*		1
80	23537756	THREAD TENSION ROD COMPL.		*		1
81	23537814	THREAD RELEASE PIN		*		1
82	23626005	THREAD TENSION NUT		*		1
83	B3121352000	TENSION SPRING	VARIOUS NOS.FOR DESTINATIONS	*		1
84	B3129012A00	TENSION SPRING	VARIOUS NOS.FOR DESTINATIONS	*		1

FRAME & MISCELLANEOUS COVER COMPONENTS (2)



FRAME & MISCELLANEOUS COVER COMPONENTS (2)

No.	Parts No.	Parts name	Remarks	Level	Cons	Qty
1	40011345	GEAR BOX (LARGE) COVER				1
2	23526601	GEAR BOX (LARGE) PACKING				1
3	40028463	GEAR BOX (SMALL) COVER				1
4	23526809	GEAR BOX (SMALL) PACKING				1
5	23527203	PIPE GUIDE PLATE				1
6	M8524476AA0	GROUND WIRE A ASM.				1
7	22582407	NEEDLE PLATE				1
8	22901805	GROUND MARK				1
9	26300103	SEMILUNAR PLATE				1
10	26314757	BED SLIDE ASM.				1
11	11001609	BED SLIDE SPRING		*		1
12	SS6060210SP	SCREW 3/32-56 L=1.9		*		2
13	CM300200001	ATTENTION SEAL	VARIOUS NOS.FOR DESTINATIONS			1
14	26230409	LUBRICATING OIL WICK STOPPER				1
15	CM301300001	SAFETY LABEL				1
16	CM301300001	SAFETY LABEL				1
17	SS2090810SP	SCREW 9/64-40 L=7.5				2
18	SS2090810SP	SCREW 9/64-40 L=7.5				2
19	SS4120615SP	SCREW 3/16-28 L=6				1
20	SS4120615SP	SCREW 3/16-28 L=6				1
21	SS4120615SP	SCREW 3/16-28 L=6				1
22	SS4120915SP	SCREW 3/16-28 L=9				4
23	SS4120915SP	SCREW 3/16-28 L=9				12
24	40028294	FEED_ADJUSTING_CAP				1
25	26025106	SPACER PLATE				1
26	SL4051091SC	SCREW M5X0.8 L=10				1
27	22503908	SPACER	FOR LZ-2290A-SU-7			1
28	40026835	BOBBIN WINDER UNIT				1
29	26260109	BTW_BASE		*		1
30	26260208	BTW_CAM_PLATE		*		1
31	26260307	BTW_BASE_SHAFT		*		1
32	26260406	BTW_SHAFT_BASE		*		1
33	26260505	BTW_CAM_LEVER		*		1
34	26260604	BTW_WHEEL		*		1
35	40011144	BTW_TORSION_SPRING		*		1
36	26260802	BTW_BEARING_SPACER		*		1
37	40014837	BTW_SHAFT		*		1
38	26261008	BTW_LEVER_SHAFT		*		1
39	40021933	BTW_LEVER		*		1
40	26261206	BTW_SPACER		*		1
41	26261305	BTW_BEARING		*		2
42	26261503	BTW_WHEEL_RUBBER		*		1
43	26261602	BOBBIN_SPRING		*		1
44	26261701	BTW_SPRING		*		1
45	RC0560711KP	RETAINING RING		*		1
46	RE0400000K0	E-RING 4		*		1
47	WP0450826SC	WASHER 4.5X10X0.8		*		1

FRAME & MISCELLANEOUS COVER COMPONENTS (2)

No.	Parts No.	Parts name	Remarks	Level	Cons	Qty
48	SM5040655SN	SCREW		*		3
49	SM8050502TP	SCREW M5 L=5		*		1
50	SM8040802TP	SCREW M4X8		*		2
51	SS7090410SP	SCREW 9/64-40 L=3.5				1
52	SM4040655SP	SCREW M4 L=6				1
53	11033008	MAGNET				1
54	40024644	MAGNET WASHER				1
55	ST4040821SS	TAPPING SCREW				1
56	40037008	THREAD_CUTTER				1
57	SM0051001SC	SCREW				2
58	SM0051001SC	SCREW				3
59	SS8111251SP	SCREW 11/64-40 L=12.0				2
60	EA9500B0200	CABLE BAND 150				1
61	23629108	OIL SIGHT WINDOW				1
62	23539901	HEAD LUBRICATION PIPE STOPPER				1
63	SS4120615SP	SCREW 3/16-28 L=6				1
64	23541352	SAFETY SWITCH ASM.				1
65	23541303	SAFETY SWITCH BASE		*		1
66	23638109	SAFETY SWITCH ARM		*		1
67	23638208	SAFETY SWITCH SPRING		*		1
68	23638307	SAFETY SWITCH ARM SHAFT		*		1
69	23638406	SAFETY SWITCH STOPPER PLATE		*		1
70	23541451	SAFETY SWITCH CORD ASM.		*		1
71	HK034610060	HOUSING 6P		*		1
72	EA9500B0100	CABLE BAND		*		1
73	SM4021201SC	SCREW M2 L=12		*		2
74	SS4120915SP	SCREW 3/16-28 L=9				2
75	CM300200003	ATTENTION LABEL				1
76	22958300	NEEDLE THREAD GUIDE PIN	FOR LZ-2290A-SS/LZ-2290A-SU			1
77	22502504	THREAD GUIDE BAR	FOR LZ-2290A-SS-7/LZ-2290A-SU-7			1
78	22502702	SPRING GUARD				1
79	40006012	PM RELAY CABLE A ASM.	FOR LZ-2290A-SS-7/LZ-2290A-SU-7/ LZ-2290A-DS-7/LZ-2290A-DU-7			1
80	40006013	PM RELAY CABLE B ASM.	FOR LZ-2290A-SS/LZ-2290A-SS-0-B/ LZ-2290A-SU/LZ-2290A-SU-0B/ LZ-2290A-DS/LZ-2290A-DS-0B/ LZ- Z-2290A-DU/LZ-2290A-DU-0B			1
81	26312504	BALANCE THREAD GUIDE	FOR LZ-2290A-SS/LZ-2290A-SU			1
82	22504104	BALANCE THREAD GUIDE A	VARIOUS NOS.FOR DESTINATIONS			1
83	40035589	RULER PLATE				1
84	11043601	RUBBER STOPPER				1
85	40116677	GOST_SAFTY_LABEL_S	VARIOUS NOS.FOR DESTINATIONS			1
86	SS1110840SP	SCREW 11/64-40 L=8				2
87	40026836	BOBBIN WINDER DRIVING WHEEL ASM.				1
88	40020454	BTW DRIVING WHEEL ASM.		*		1
89	23528607	BOBBIN DRIVING WHEEL BLADE		*		3
90	SM4030501SN	SCREW M3 L=5		*		3
91	22529481	BOBBIN THREAD TENSION ASM.				1
92	22529473	BOBBIN THREAD TENSION ROD ASM.		*		1

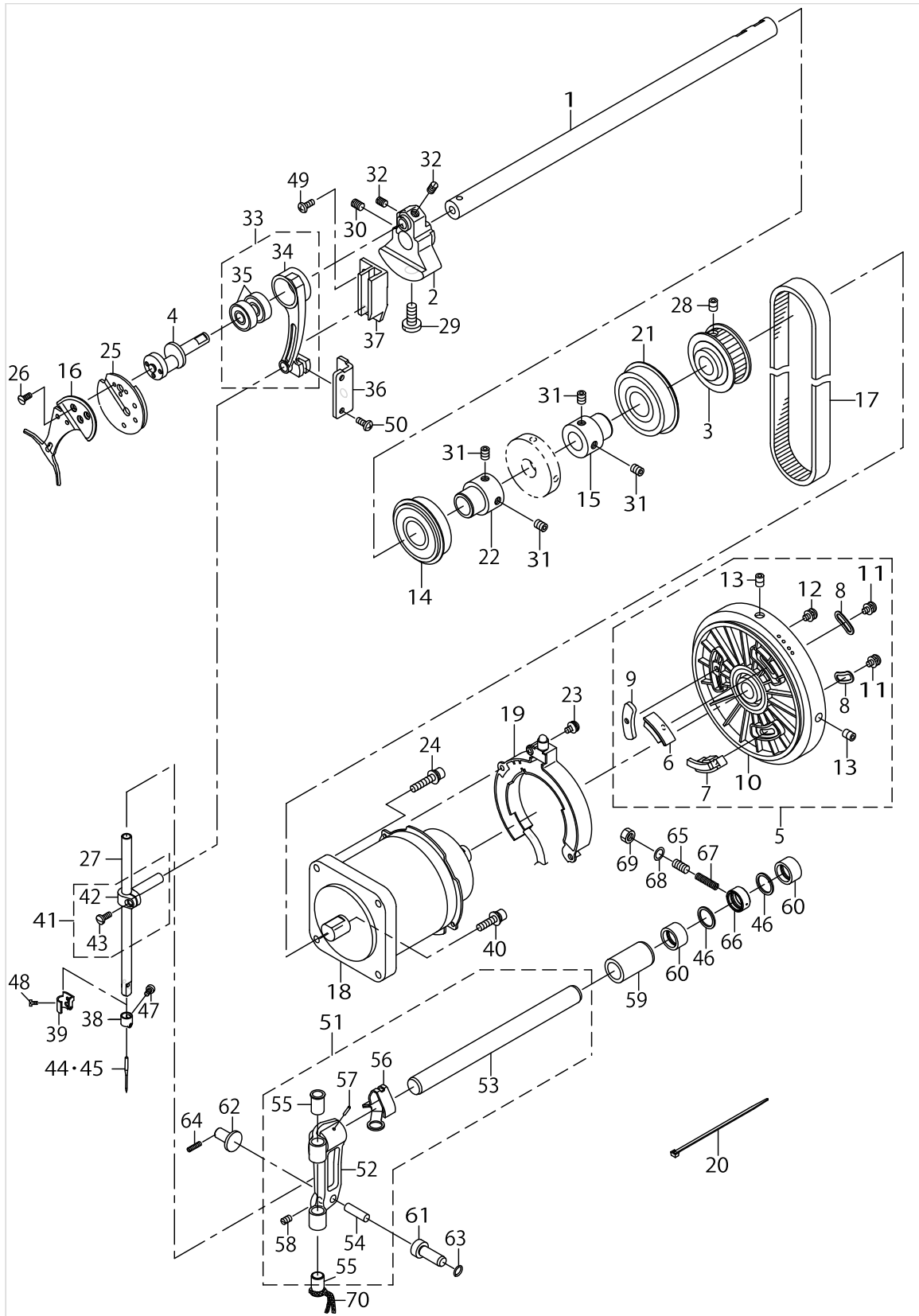
FRAME & MISCELLANEOUS COVER COMPONENTS (2)

No.	Parts No.	Parts name	Remarks	Level	Cons	Qty
93	B3214047000	BOBBIN WINDER TENSION DISC		*		2
94	11093606	THREAD TENSION SPRING		*		1
95	11072402	THREAD TENSION NUT		*		1
96	NS6110310SP	NUT 11/64-40		*		1
97	CM600100101	WEEE MARK LABEL S	VARIOUS NOS.FOR DESTINATIONS			1

MAIN SHAFT & THREAD TAKE-UP & NEEDLE BAR COMPONENTS

No.	Parts No.	Parts name	Remarks	Level	Cons	Qty
1	23527906	UPPER SHAFT				1
2	40010324	COUNTER WEIGHT				1
3	40160261	UPPER_SHAFT_SPROCKET				1
4	23528102	NEEDLE ROD CRANK				1
5	23528250	HAND WHEEL ASM.				1
6	23528359	MAGNET FITTING BASE COMPL. U		*		1
7	23528458	MAGNET FITTING BASE COMPL. D		*		1
8	23605009	HAND WHEEL WASHER		*		2
9	23604804	BALANCE PLATE		*		1
10	23528201	HAND WHEEL		*		1
11	SL4040881SC	SCREW M4 L=8		*		2
12	SL4040881SC	SCREW M4 L=8		*		1
13	SM8060812TP	SCREW M6 L=8		*		2
14	SB1200013C0	BEARING				1
15	23604200	MAIN SHAFT BEARING SUPPORT				1
16	22506208	BALANCE V				1
17	22505705	TIMING BELT				1
18	40028014	AC SERVO MOTOR				1
19	M68014710A0	SYNC ASM.				1
20	EA9500B0100	CABLE BAND				1
21	SB1200008C0	BEARING				1
22	23605207	BEARING HOLDER				1
23	SL4040881SC	SCREW M4 L=8				2
24	SL6052592TN	BOLT				3
25	10008753	TAKE-UP COUNTERWEIGHT ASM.				1
26	SS1090930SP	SCREW 9/64-40 L=8.6				3
27	40015494	NEEDLE BAR				1
28	SM8060812TP	SCREW M6 L=8				2
29	SS7681650TP	SCREW 9/32-28 L=16				1
30	SS8680730SP	SCREW 9/32-28 L=7				1
31	SM8060812TP	SCREW M6 L=8				4
32	SS8660610TP	SCREW 1/4-40 L=6				2
33	23528755	NEEDLE ROD CRANK ROD ASM.				1
34	23528706	NEEDLE ROD CRANK ROD		*		1
35	SB108001900	BEARING		*		2
36	40010281	NEEDLE ROD CRANK ROD GUIDE				1
37	22508006	NEEDLE BAR CONNECTION GUIDE				1
38	22507701	THRED RACK RIGHT	VARIOUS NOS.FOR DESTINATIONS			1
39	22507404	THREAD RACK	VARIOUS NOS.FOR DESTINATIONS			1
40	SL6052092TN	SCREW				1
41	40070532	NEEDLE_BAR_CONNECTION_ASM.				1
42	40056873	NEEDLE BAR CONNECTION		*		1
43	SS7090910TP	SCREW 9/64-40 L=8.5		*		1
44	MC2005F0700	NEEDLE 134SUK 70	VARIOUS NOS.FOR DESTINATIONS			1
45	MDP500B1000	NEEDLE DPX5 #10	VARIOUS NOS.FOR DESTINATIONS			1

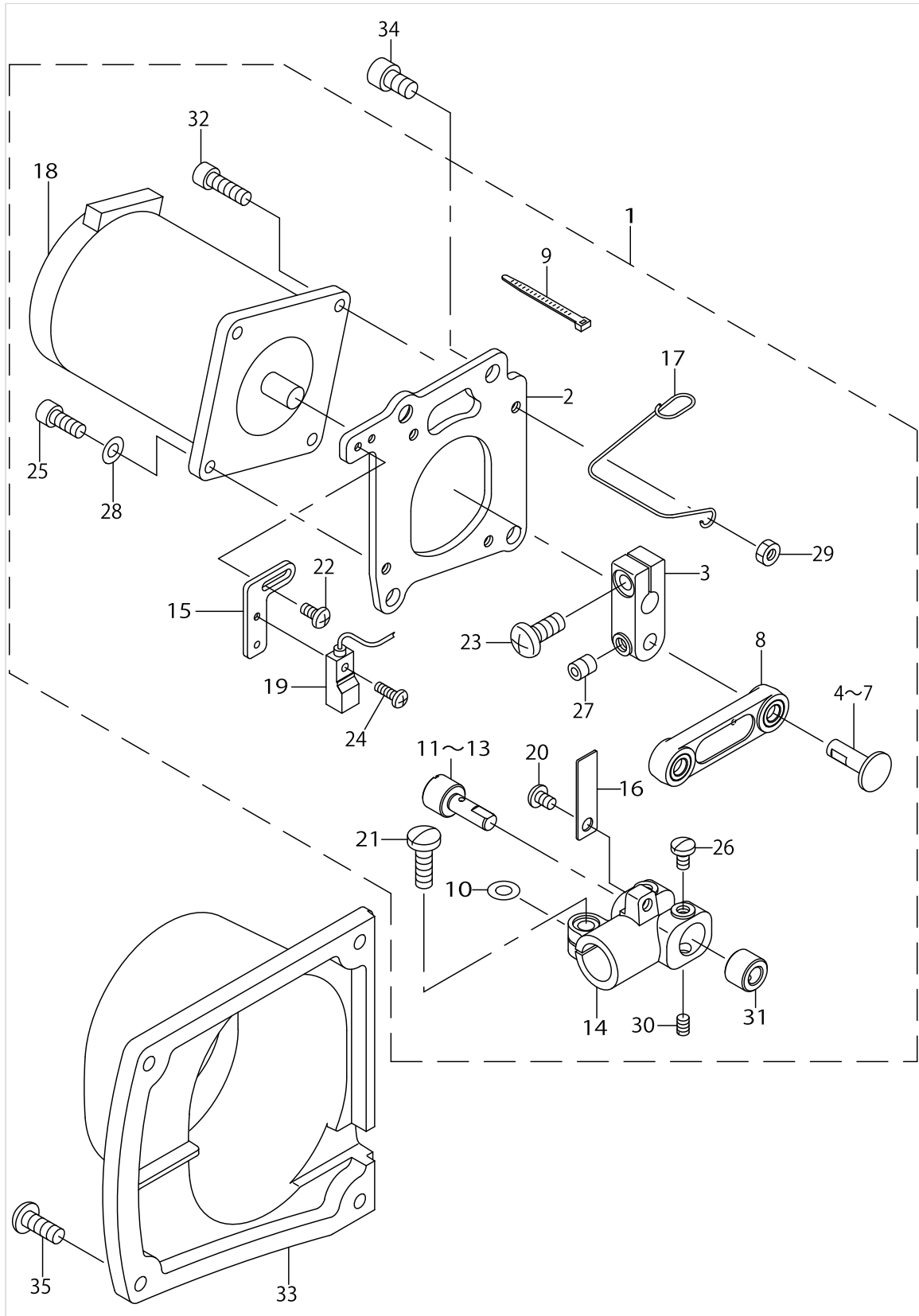
MAIN SHAFT & THREAD TAKE-UP & NEEDLE BAR COMPONENTS



MAIN SHAFT & THREAD TAKE-UP & NEEDLE BAR COMPONENTS

No.	Parts No.	Parts name	Remarks	Level	Cons	Qty
46	23544901	THRUST BUSH				2
47	SS7080520SP	SCREW 1/8-44 L=4.9				1
48	SS7060310SP	SCREW 3/32-56 L=3	VARIOUS NOS.FOR DESTINATIONS			1
49	SS4110915SP	SCREW 11/64-40 L=9				2
50	SS4110915SP	SCREW 11/64-40 L=9				2
51	23529159	NEEDLE ROD SUPPORT BASE ASM.				1
52	23529100	NEEDLE ROD SUPPORT BASE		*		1
53	23529209	NEEDLE ROD SUPPORT BASE SHAFT	*		1	
54	23529308	SUPPORT BASE GUIDE SHAFT	*		1	
55	23529506	NEEDLE ROD METAL	*		2	
56	23529407	NEEDLE ROD SUPPORT BASE FELT	*		1	
57	PS0400222K0	SPRING PIN	*		1	
58	SS8120740SP	SCREW 3/16-28 L=7	*		1	
59	40010315	SUPPORT BASE SHAFT FRONT METAL			1	
60	23531114	SUPPORT BASE SHAFT REAR METAL			2	
61	40010297	SUPPORT BASE GUIDE PIN A			1	
62	40010296	SUPPORT BASE GUIDE PIN B			1	
63	RO037180100	RUBBER RING			1	
64	SS8151230SP	SCREW 15/64-28 L=12			1	
65	SM8061212TP	SCREW M6X12			1	
66	40003618	METAL B			1	
67	40010322	SPRING			1	
68	WP0720516SD	PLAIN WASHER			1	
69	NM6060001SC	NUT M6			1	
70	CQ202000000	OIL WICK			0.15	

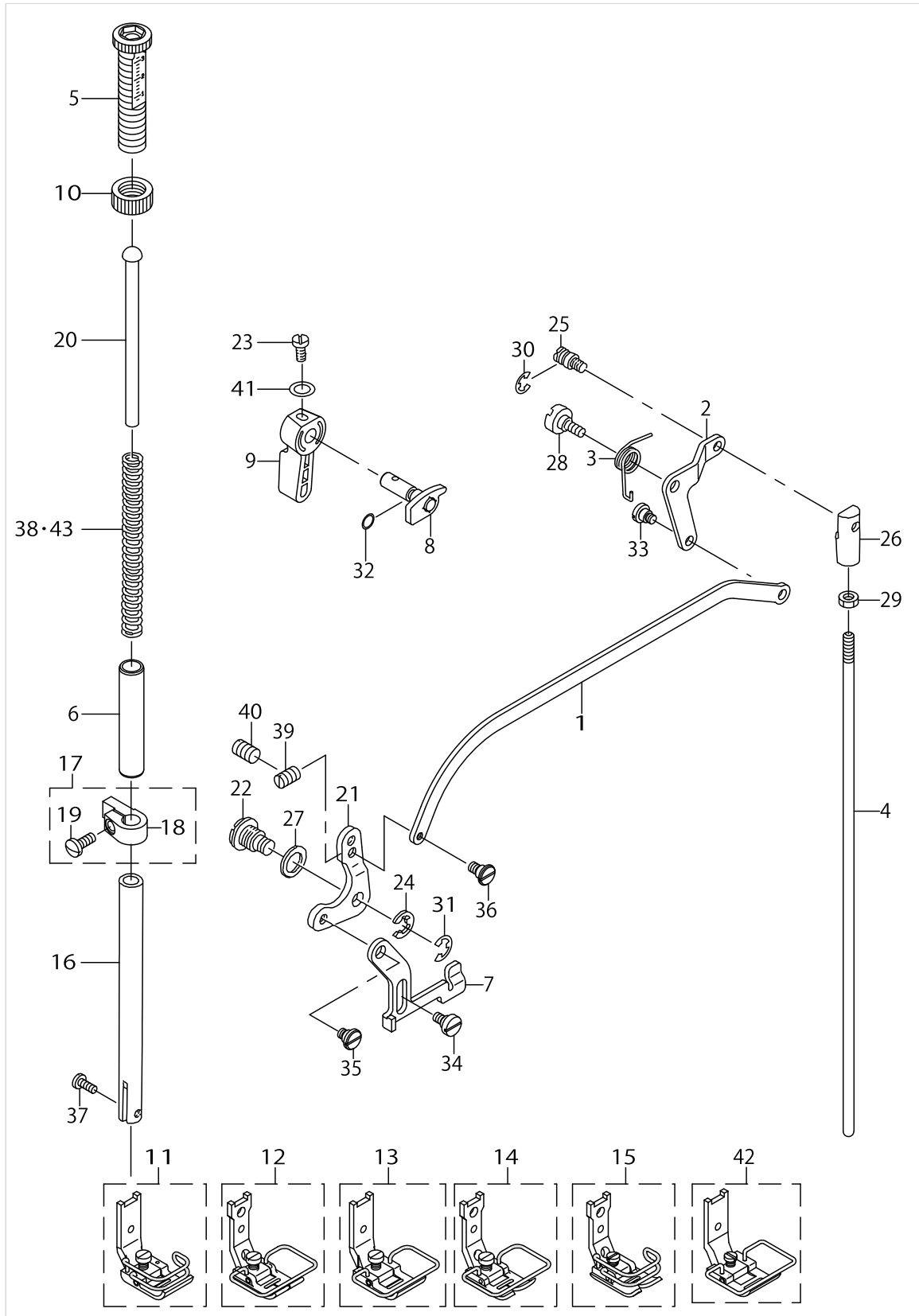
NEEDLE VIBRATOR COMPONENTS



NEEDLE VIBRATOR COMPONENTS

No.	Parts No.	Parts name	Remarks	Level	Cons	Qty
1	40149235	NEEDLE_VIBRATOR_UNIT				1
2	40149234	NEEDLE_VIBRATOR_UNIT_BASIS		*		1
3	40010278	MOTOR LINK		*		1
4	40010286	JUNCTION SHAFT A	SELECTIVE PARTS	*		1
5	40010287	JUNCTION SHAFT B	SELECTIVE PARTS	*		1
6	40010288	JUNCTION SHAFT C	SELECTIVE PARTS	*		1
7	40010289	JUNCTION SHAFT D	SELECTIVE PARTS	*		1
8	40008169	SHAFT CONNECTION LINK		*		1
9	EA9500B0100	CABLE BAND		*		2
10	WP0520656SA	WASHER 5.2X9.5X0.6		*		1
11	40008119	JUNCTION SHAFT A	SELECTIVE PARTS	*		1
12	40008120	JUNCTION SHAFT B	SELECTIVE PARTS	*		1
13	40008121	JUNCTION SHAFT C	SELECTIVE PARTS	*		1
14	40008118	SUPPORT BASE SHAFT CONNECTION		*		1
15	23530702	SENSOR FITTING PLATE		*		1
16	23530801	SENSOR SLIT		*		1
17	23531007	CORD CLAMP		*		1
18	KM000000350	PULSE MOTOR		*		1
19	M8523476AA0	ZERO SENSOR A ASM.		*		1
20	SS4110615SP	SCREW 11/64-40 L=6		*		1
21	SS7121410TP	SCREW 3/16-28 L=14		*		1
22	SM4030655SP	SCREW		*		2
23	SM4051255SP	SCREW M5 L=12		*		1
24	SM4860801SN	SCRER M2.6 L=8		*		1
25	SM6041002TP	SCREW M4 L=10		*		3
26	SS7110740TP	SCREW 11/64-40 L=7		*		2
27	SM8050612TP	SCREW M5X6		*		1
28	WP0482016SZ	WASHER		*		2
29	NM6040001SN	NUT M4X0.7		*		1
30	SS8090670SP	SCREW 9/64-40 L=5.5		*		1
31	40010298	JUNCTION SHAFT COLLAR		*		1
32	SM6041402TP	SCREW M4 L=14		*		1
33	40149236	NEEDLE_VIBRATOR_UNIT_COVER				1
34	SM6061002TP	SCREW M6 L=10				3
35	SS4121215SP	SCREW 3/16-28 L=12				4

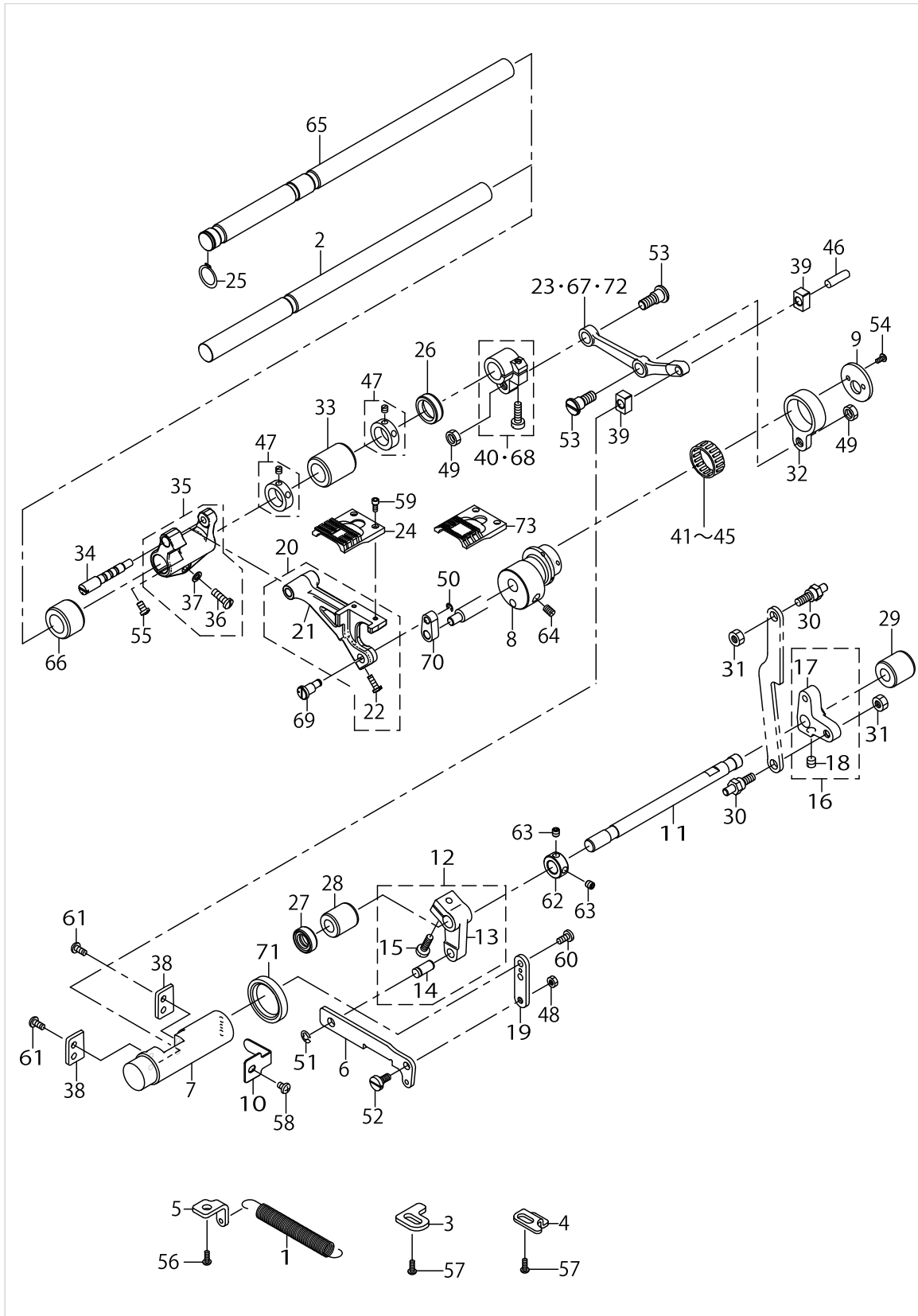
HAND LIFTER COMPONENTS



HAND LIFTER COMPONENTS

No.	Parts No.	Parts name	Remarks	Level	Cons	Qty
1	23531304	KNEE LIFTING SIDE ROD LINK				1
2	23531403	KNEE LIFTING LINK				1
3	23531502	KNEE LIFTING LINK SPRING				1
4	40003601	KNEE LIFTING JUNCTION ROD				1
5	23609209	PRESSER SPRING REGULATOR				1
6	23609001	BUSHING				1
7	26308007	LIFTING PLATE				1
8	26307850	PRESSER LIFTER CAM COMPL.				1
9	22907802	HAND LIFTER				1
10	22907604	PRESSER SPRING REGULATOR NUT				1
11	10055051	PRESSER FOOT ASM.	FOR LZ-2290A-SS/ LZ-2290A-SS- -7-OB VARIOUS NOS.FOR DESTINATIONS			1
12	22584965	PRESSER FOOT ASM.	FOR LZ-2290A-SS/ LZ-2290A-SS- -7 VARIOUS NOS.FOR DESTINATIONS			1
13	22580864	PRESSER ASM.	FOR LZ-2290A-SS-7-OB VARIOUS NOS.FOR DESTINATIONS			1
14	23503154	PRESSER ASM.	FOR LZ-2290A-SU/ LZ-2290A-SU- -7 VARIOUS NOS.FOR DESTINATIONS			1
15	23503162	PRESSER ASM.	FOR LZ-2290A-SU/ LZ-2290A-SU- -7 VARIOUS NOS.FOR DESTINATIONS			1
16	40125469	PRESSER_BAR				1
17	40070531	PRESSER_BAR_CONNECTION_ASM.				1
18	26302901	PRESSER BAR HOLDER		*		1
19	SS7111110TP	SCREW 11/64-40 L=10.5		*		1
20	22907703	PRESSER GUIDE BAR				1
21	B1516552000	LIFTING LEVER LINK				1
22	B1517552000	HINGE PIN				1
23	B1521555000	SCREW				1
24	B1523226000	SNAP RING				1
25	B3416552000	CONNECTING ROD HINGE SCREW				1
26	B3416555000	SWIVEL				1
27	B3431581000	LIFTING LEVER GASKET				1
28	GAK33041000	KNEE LIFTING LINK STEP-SCREW				1
29	NS6620310SP	NUT 3/16-32				1
30	RE0500000K0	E-RING				1
31	RE0600000K0	E-RING 6				1
32	RO037180100	RUBBER RING				1
33	SD0600341TP	HINGE SCREW D=6.0 H=3.4				1
34	SD0630275SP	HINGE SCREW D=6.35 H=2.7				1
35	SD0630301SP	HINGE SCREW D=6.35 H=3				1
36	SD0630371SP	HINGE SCREW				1
37	SS7090910TP	SCREW 9/64-40 L=8.5				1
38	B1505227T00A	PRESSER SPRING T	VARIOUS NOS.FOR DESTINATIONS			1
39	SS8150510TP	SCREW 15/64-28 L=4.7				1
40	SS8152030SP	SCREW 15/64-28 L=20				1
41	WP0740516SP	WASHER 7.4X11.8X0.5				1
42	22580369	PRESSER FOOT ASM.	FOR LZ-2290A-SR-7			1
43	22907406	PRESSER SPRING	VARIOUS NOS.FOR DESTINATIONS			1

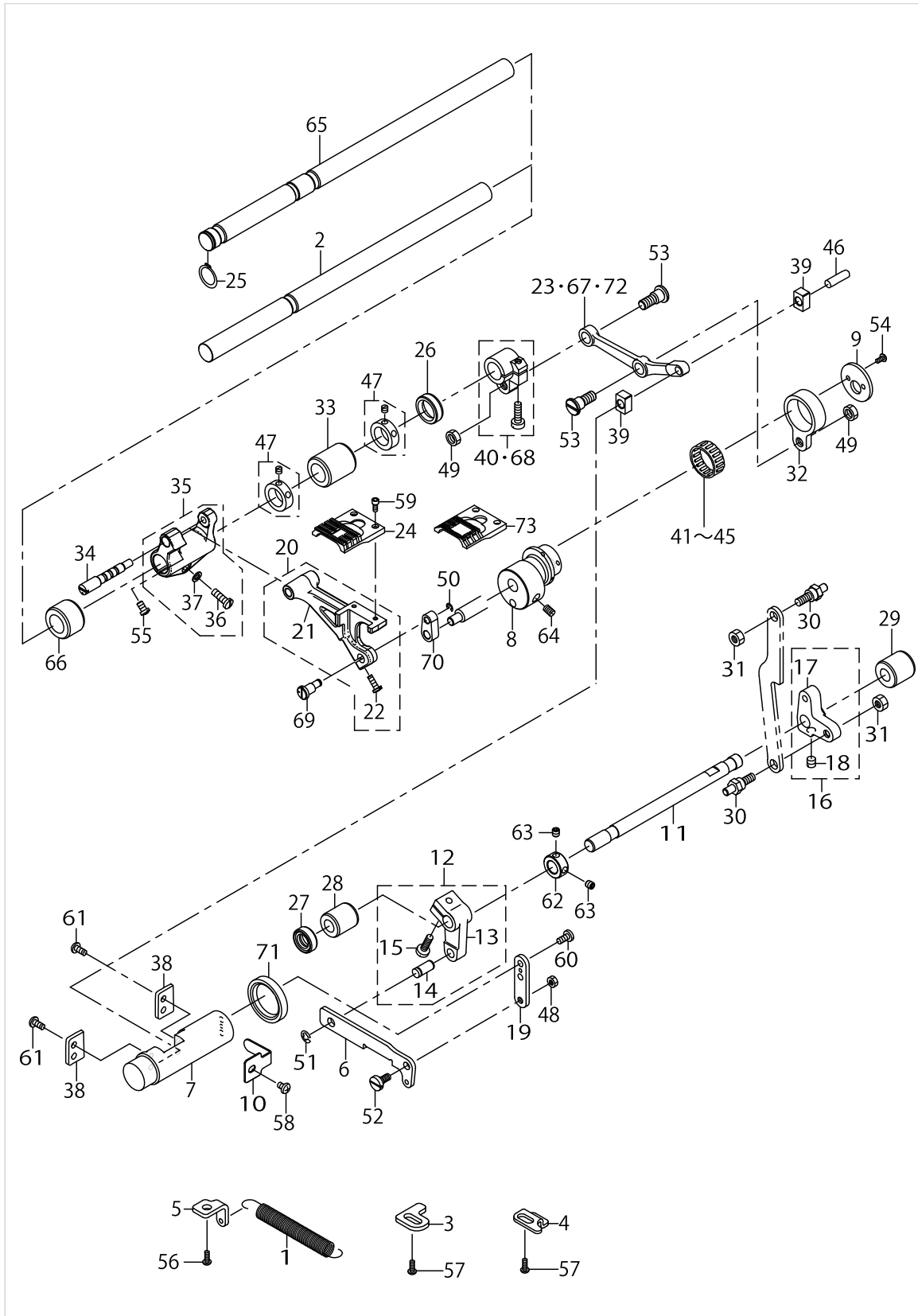
FEED MECHANISM COMPONENTS (1)



FEED MECHANISM COMPONENTS (1)

No.	Parts No.	Parts name	Remarks	Level	Cons	Qty
1	23532500	FEED ADJUSTING SPRING	FOR LZ-2290A-SS/ LZ-2290A-S-U/ LZ-2290A-SS-7/ LZ-2290A-SU-7			1
2	40010311	HORIZONTAL FEED SHAFT	FOR LZ-2290A-SS/ LZ-2290A-SS-7/ LZ-2290A-SR-7			1
3	23532906	REGULATE PLATE	FOR LZ-2290A-SS/ LZ-2290A-S-U/ LZ-2290A-SS-7/ LZ-2290A-SU-7			1
4	23533003	REGULATE PLATE	FOR LZ-2290A-SS/ LZ-2290A-S-U/ LZ-2290A-SS-7/ LZ-2290A-SU-7			1
5	23532609	FEED SPRING RACK	FOR LZ-2290A-SS/ LZ-2290A-S-U/ LZ-2290A-SS-7/ LZ-2290A-SU-7			1
6	23532807	FEED REVERSAL LINK	FOR LZ-2290A-SS/ LZ-2290A-S-U/ LZ-2290A-SS-7/ LZ-2290A-SU-7			1
7	40010318	FEED ADJUSTING A				1
8	40149246	HORIZONTAL_FEED_CAM				1
9	23532401	HORIZONTAL FEED CAM COVER				1
10	23532203	FEED ADJUSTING PRESSER				1
11	40010313	FEED CHANGE SHAFT	FOR LZ-2290A-SS/ LZ-2290A-S-U/ LZ-2290A-SS-7/ LZ-2290A-SU-7			1
12	40010268	FEED CHANGE ARM A ASM.	FOR LZ-2290A-SS/ LZ-2290A-S-U/ LZ-2290A-SS-7/ LZ-2290A-SU-7			1
13	40010269	FEED CHANGE ARM A		*		1
14	22910509	FEED ADJUSTING LINK PIN		*		1
15	SS7121410TP	SCREW 3/16-28 L=14		*		1
16	40010270	FEED CHANGE ARM B ASM.	FOR LZ-2290A-SS/ LZ-2290A-S-U/ LZ-2290A-SS-7/ LZ-2290A-SU-7			1
17	40010271	FEED CHANGE ARM B		*		1
18	SS8660612TP	SCREW 1/4-40 L=6		*		1
19	23532708	FEED ADJUSTING ARM	FOR LZ-2290A-SS/ LZ-2290A-S-U/ LZ-2290A-SS-7/ LZ-2290A-SU-7			1
20	40149244	FEED_BASE_ASM	FOR LZ-2290A-SS/ LZ-2290A-SS-7/ LZ-2290A-SR-7			1
21	40149245	FEED_BASE		*		1
22	SS7091110TP	SCREW 9/64-40 L=10.5		*		1
23	40010276	HORIZONTAL FEED JUNCTION ROD	FOR LZ-2290A-SS/ LZ-2290A-SS-7/ LZ-2290A-SR-7			1
24	22581508	FEED DOG				1
25	RC0150001KP	RETAINING RING 13.8	FOR LZ-2290A-SU/ LZ-2290A-SU-7			1
26	40139216	OIL_SEAL				1
27	23612609	FEED CHANGING SHAFT OIL SEAL	FOR LZ-2290A-SS/ LZ-2290A-S-U/ LZ-2290A-SS-7/ LZ-2290A-SU-7			1
28	23612807	METAL A	FOR LZ-2290A-SS/ LZ-2290A-S-U/ LZ-2290A-SS-7/ LZ-2290A-SU-7			1
29	23612906	METAL B	FOR LZ-2290A-SS/ LZ-2290A-S-U/ LZ-2290A-SS-7/ LZ-2290A-SU-7			1
30	23613102	FEED CHANGING SHAFT ARM B PIN	FOR LZ-2290A-SS/ LZ-2290A-S-U/ LZ-2290A-SS-7/ LZ-2290A-SU-7			2
31	NS6150310SP	NUT 15/64-28	FOR LZ-2290A-SS/ LZ-2290A-S-U/ LZ-2290A-SS-7/ LZ-2290A-SU-7			2
32	26300509	HORIZONTAL FEED ROD				1
33	23616709	FEED ROCKER SHAFT METAL				1
34	40125485	FEED_BASE_SHAFT	FOR LZ-2290A-SS/ LZ-2290A-SS-7/ LZ-2290A-SR-7			1
35	22940654	FEED ROCKER ASM.	FOR LZ-2290A-SS/ LZ-2290A-SS-7/ LZ-2290A-SR-7			1
36	SS7121410TP	SCREW 3/16-28 L=14		*		1
37	WP0480856SD	WASHER 4.8X8.4X0.8		*		1
38	10027308	PLATE A				2
39	40050457	FEED DRIVING ROCKER BLOCK				2
40	B16085550A0	FEED ROCKER SHAFT CRANK ASM.	FOR LZ-2290A-SS/ LZ-2290A-SS-7/ LZ-2290A-SR-7			1
41	SB3220002CA	BEARING	SELECTIVE PARTS			1
42	SB3220002CB	BEARING	SELECTIVE PARTS			1

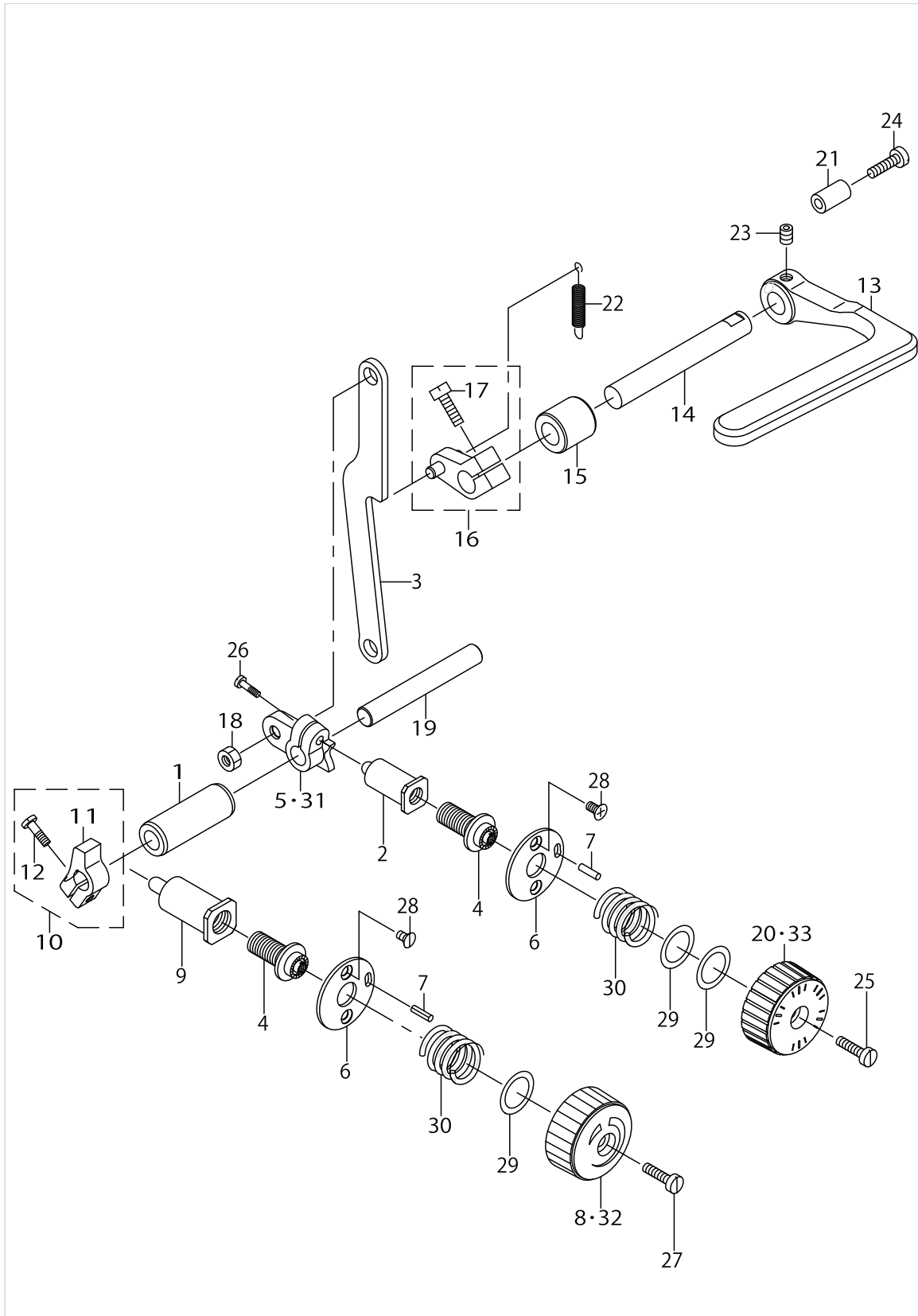
FEED MECHANISM COMPONENTS (1)



FEED MECHANISM COMPONENTS (1)

No.	Parts No.	Parts name	Remarks	Level	Cons	Qty
43	SB3220002CC	BEARING	SELECTIVE PARTS			1
44	SB3220002CD	BEARING	SELECTIVE PARTS			1
45	SB3220002CE	BEARING	SELECTIVE PARTS			1
46	B1653470000	PIN				1
47	CS1470710SH	THRUST COLLAR ASM. D=14.72 W=7				2
48	NS6120310SP	NUT 3/16-28	FOR LZ-2290A-SS/ LZ-2290A-S-U/ LZ-2290A-SS-7/ LZ-2290A-SU-7			1
49	NS6680410SP	NUT 9/32-28				2
50	RE0300000K0	E-RING 3				1
51	RE0500000K0	E-RING	FOR LZ-2290A-SS/ LZ-2290A-S-U/ LZ-2290A-SS-7/ LZ-2290A-SU-7			1
52	SD0600321SP	HINGE SCREW D=6 H=3.2	FOR LZ-2290A-SS/ LZ-2290A-S-U/ LZ-2290A-SS-7/ LZ-2290A-SU-7			1
53	SD0900701TP	HINGE SCREW D=9 H=7				2
54	SS4080620TP	SCREW 1/8-44 L=6				2
55	SS7110740TP	SCREW 11/64-40 L=7	FOR LZ-2290A-SS/ LZ-2290A-SS-7/ LZ-2290A-SR-7			1
56	SS4150915SP	SCREW 15/64-28 L=9	FOR LZ-2290A-SS/ LZ-2290A-S-U/ LZ-2290A-SS-7/ LZ-2290A-SU-7			1
57	SS4150915SP	SCREW 15/64-28 L=9	FOR LZ-2290A-SS/ LZ-2290A-S-U/ LZ-2290A-SS-7/ LZ-2290A-SU-7			2
58	SS4110615SP	SCREW 11/64-40 L=6				1
59	SS6580752TP	SCREW 1/8-40 L=7				2
60	SS7110910TP	SCREW 11/64-40 L=8.5	FOR LZ-2290A-SS/ LZ-2290A-S-U/ LZ-2290A-SS-7/ LZ-2290A-SU-7			2
61	SS4110915SP	SCREW 11/64-40 L=9				4
62	CS1000881TP	THRUST COLLAR	FOR LZ-2290A-SS/ LZ-2290A-S-U/ LZ-2290A-SS-7/ LZ-2290A-SU-7			1
63	SM80506A2TP	SCREW M5 L=6	FOR LZ-2290A-SS/ LZ-2290A-S-U/ LZ-2290A-SS-7/ LZ-2290A-SU-7			2
64	SS8660810TP	SCREW 1/4-40 L=8				2
65	40010312	HORIZONTAL FEED SHAFT U	FOR LZ-2290A-SU/ LZ-2290A-SU-7			1
66	23545304	HORIZONTAL FEED SHAFT METAL B	FOR LZ-2290A-SU/ LZ-2290A-SU-7			1
67	26303206	HORIZONTAL FEED JUNCTION ROD	FOR LZ-2290A-SU/ LZ-2290A-SU-7			1
68	10027100	FEED ROCKER SHAFT CRANK	FOR LZ-2290A-SU/ LZ-2290A-SU-7			1
69	26303107	VERTICAL FEED LINK SHAFT				1
70	40125483	VERTICAL_FEED_LINK				1
71	23532005	FEED ADJUSTING OIL SEAL				1
72	40011850	CONNECTING ROD	FOR LZ-2290A-SR-7			1
73	40018430	FEED DOG	FOR LZ-2290A-SR-7			1

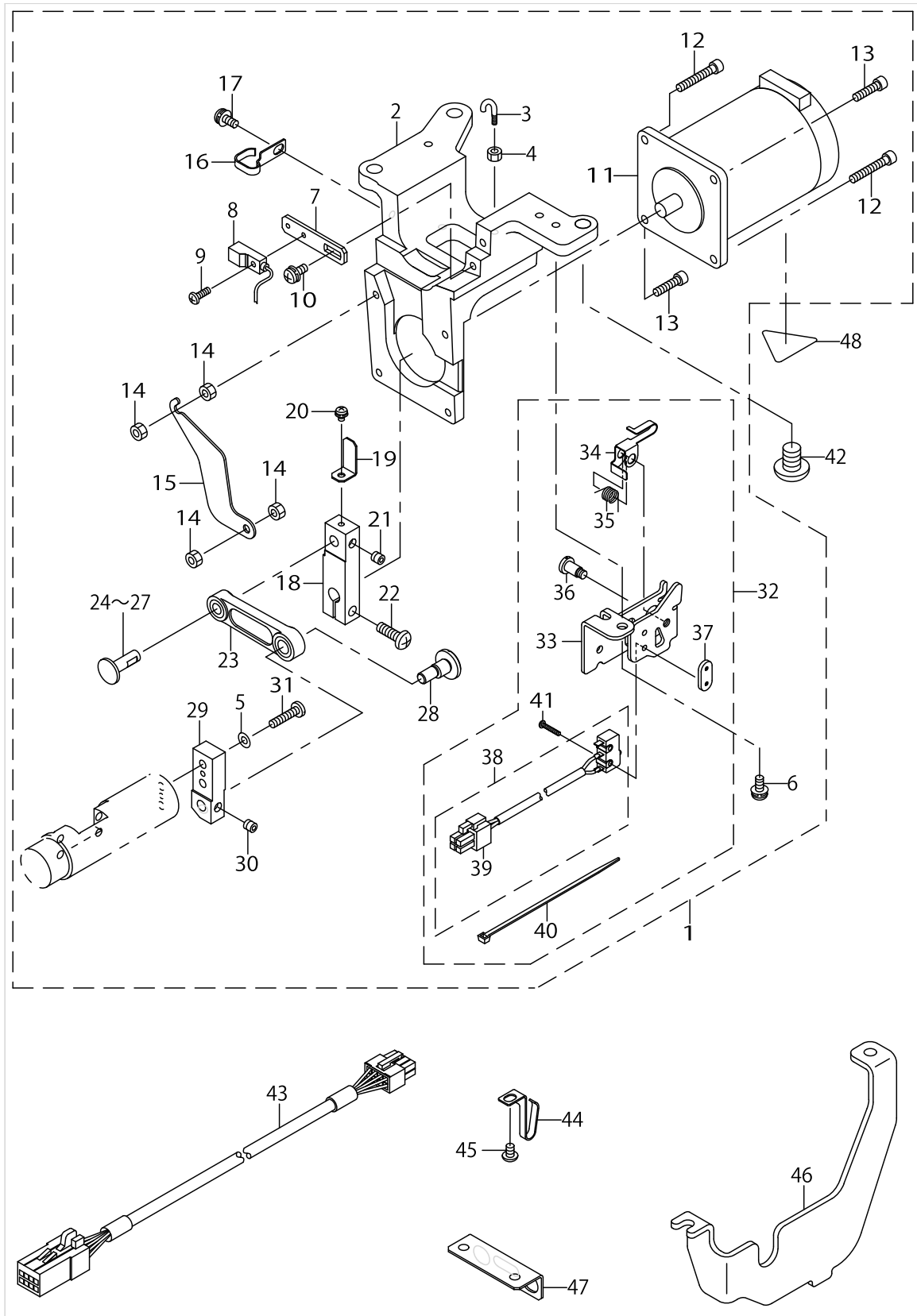
FEED MECHANISM COMPONENTS (2)(EXCEPT LZ-2290A-SR-7)



FEED MECHANISM COMPONENTS (2)(EXCEPT LZ-2290A-SR-7)

No.	Parts No.	Parts name	Remarks	Level	Cons	Qty
1	23533706	FEED ADJUSTING SHAFT METAL				1
2	23533805	FEED ADJUSTING SHAFT				1
3	23533409	FEED ADJUSTING ROD				1
4	23533904	FEED ADJUSTING SCREW				2
5	40010272	FEED BLIND CONTROLLER				1
6	23534019	FEED ADJUSTING BASE				2
7	PS0300122KH	SPRING PIN 3X12				2
8	23534407	CONDENS DIAL	FOR LZ-2290A-SS/ LZ-2290A-SS-7			1
9	23534308	CONDENS ADJUSTING SHAFT				1
10	23534258	CONDENS STOPPER ASM.				1
11	23534209	CONDENS STOPPER		*		1
12	SS7121410TP	SCREW 3/16-28 L=14		*		1
13	23613607	FEED LEVER				1
14	23613706	FEED LEVER SHAFT				1
15	23613805	FEED LEVER SHAFT METAL				1
16	23613953	FEED LEVER ARM ASM.				1
17	SS6121610SP	SCREW 3/16-28 L=15.5		*		1
18	NS6150310SP	NUT 15/64-28				1
19	23533607	FEED ADJUSTING SHAFT				1
20	11071909	FEED DIAL	FOR LZ-2290A-SS/ LZ-2290A-SS-7			1
21	22952501	BACK LEVER STOPPER				1
22	11302700	SPRING				1
23	SM8060812TP	SCREW M6 L=8				2
24	SS6121840SP	SCREW 3/16-28 L=18				1
25	SS6121860SP	SCREW 3/16-28 L=18				1
26	SS7121410TP	SCREW 3/16-28 L=14				1
27	SS6121860SP	SCREW 3/16-28 L=18				1
28	SS1110710SP	SCREW 11/64-40 L=7				4
29	WP1651616SD	WASHER				3
30	23534506	FEED DIAL SPRING				2
31	40010273	FEED BLIND CONTROLLER U	FOR LZ-2290A-SU/ LZ-2290A-SU-7			1
32	23545007	CONDENS DIAL U	FOR LZ-2290A-SU/ LZ-2290A-SU-7			1
33	26302000	FEED DIAL	FOR LZ-2290A-SU/ LZ-2290A-SU-7			1

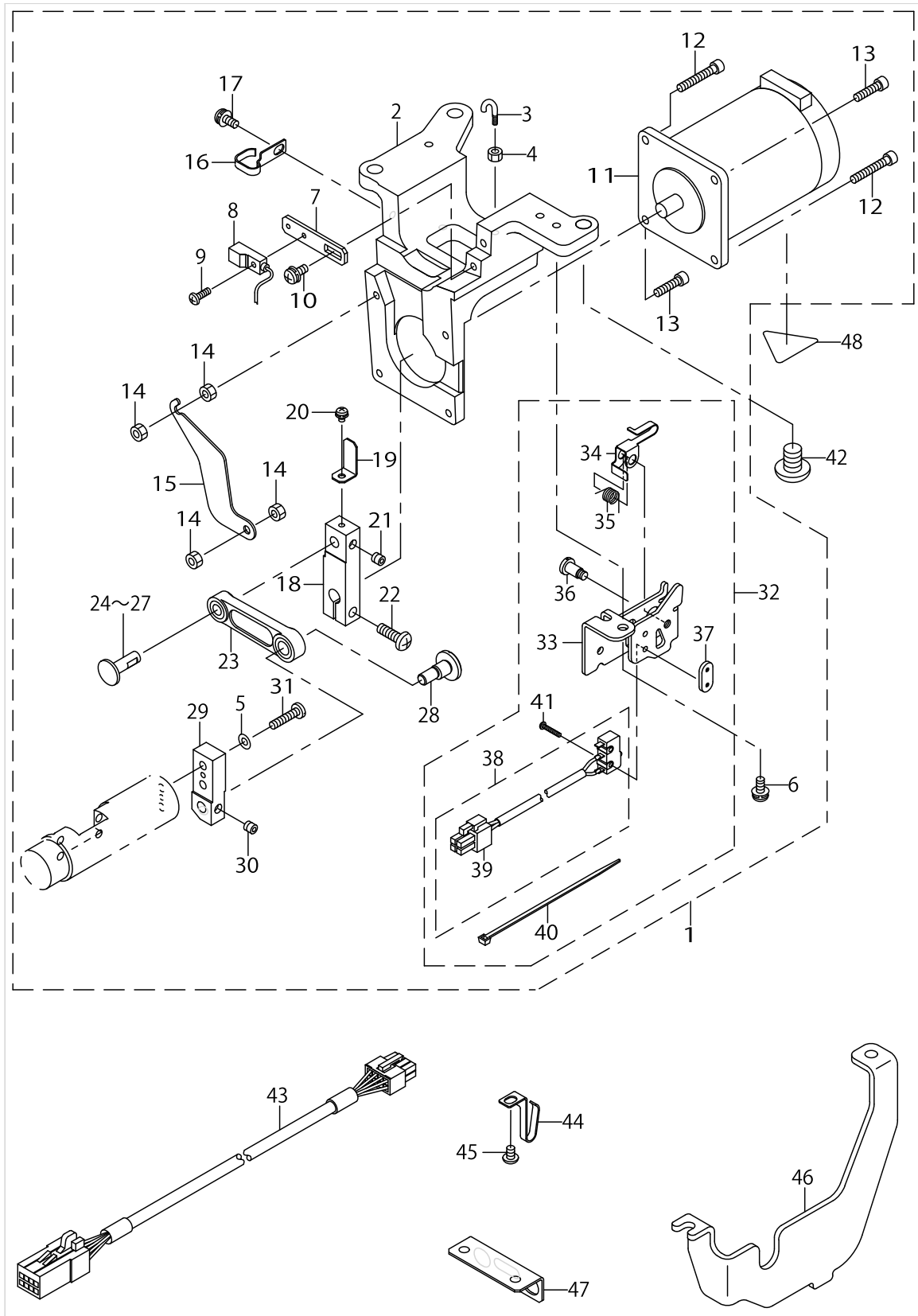
FEED MECHANISM COMPONENTS (3)(FOR LZ-2290A-SR-7)



FEED MECHANISM COMPONENTS (3)(FOR LZ-2290A-SR-7)

No.	Parts No.	Parts name	Remarks	Level	Cons	Qty
1	40011831	ASSY FEED PULSE MOTOR UNIT				1
2	40011832	FEED PULSE MOTOR BASE		*		1
3	40009305	SUSPENSION SCREW		*		1
4	NS6090310SP	NUT 9/64-40		*		1
5	WP0460556SD	WASHER 4.6X7.5X0.5		*		2
6	SL4040891SC	SCREW M4 L=8		*		2
7	40011839	SENSOR BASE		*		1
8	M8523476AA0	ZERO SENSOR A ASM.		*		1
9	SM4860801SN	SCRER M2.6 L=8		*		1
10	SL4040891SC	SCREW M4 L=8		*		1
11	KM000000350	PULSE MOTOR		*		1
12	SM6042502TP	SCREW M4X0.7 L=25		*		2
13	SM6041602TP	SCREW M4X0.7 L=16		*		2
14	NM6040000SN	NUT M4		*		4
15	40011843	PIPE GUIDE PLATE C		*		1
16	40022407	CORD HOLDER		*		4
17	SL4040891SC	SCREW M4 L=8		*		4
18	40011836	PULSE MOTOR LINK B		*		1
19	40011840	SENSOR SLIT		*		1
20	SL4030581SC	COMBINATION SCREW M3X5		*		1
21	SM8050612TP	SCREW M5X6		*		1
22	SM4051655SP	SCREW M5 L=16		*		1
23	40011833	ASSY PULSE MOTOR LINK A		*		1
24	40010286	JUNCTION SHAFT A	SELECTIVE PARTS	*		1
25	40010287	JUNCTION SHAFT B	SELECTIVE PARTS	*		1
26	40010288	JUNCTION SHAFT C	SELECTIVE PARTS	*		1
27	40010289	JUNCTION SHAFT D	SELECTIVE PARTS	*		1
28	40011838	FEED LINK SHAFT		*		1
29	40011837	PULSE MOTOR LINK C		*		1
30	SM8050612TP	SCREW M5X6		*		2
31	SS7111810TP	SCREW 11/64-40 L=18		*		2
32	23541352	SAFETY SWITCH ASM.		*		1
33	23541303	SAFETY SWITCH BASE		*		1
34	23638109	SAFETY SWITCH ARM		*		1
35	23638208	SAFETY SWITCH SPRING		*		1
36	23638307	SAFETY SWITCH ARM SHAFT		*		1
37	23638406	SAFETY SWITCH NUT		*		1
38	23541451	SAFETY SWITCH CORD ASM.		*		1
39	HK034610060	HOUSING 6P		*		1
40	EA9500B0100	CABLE BAND		*		1
41	SM4021201SC	SCREW M2 L=12		*		2
42	SS4151215SP	SCREW 15/64-28 L=12				3
43	40017098	BTPM RELAY CABLE ASM.				1
44	B3508220000	OIL TUBE HOLDER				1
45	SS4120615SP	SCREW 3/16-28 L=6				1
46	40011841	BED SUPPORT PLATE B				1
47	40011842	PIPE GUIDE PLATE B				1

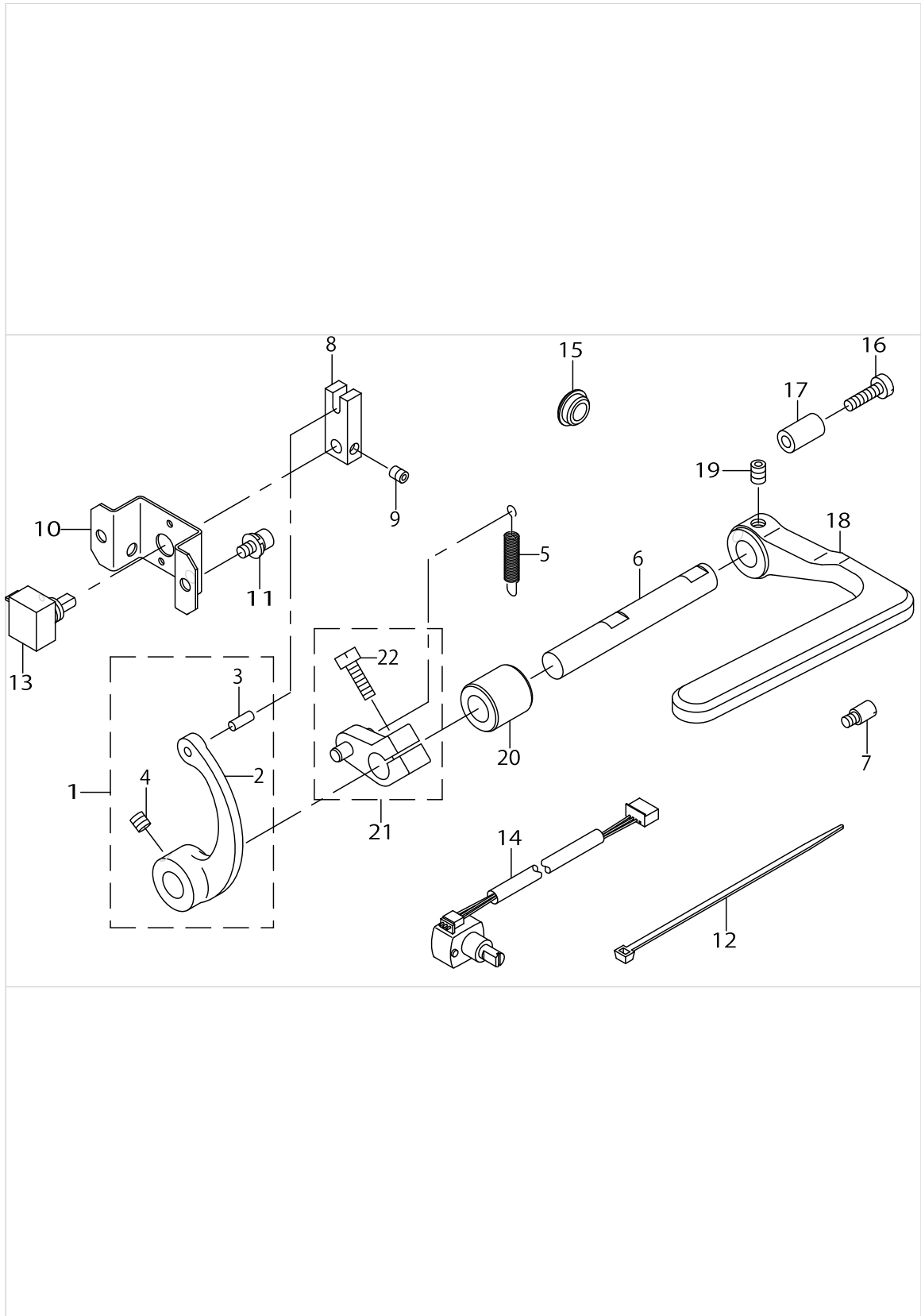
FEED MECHANISM COMPONENTS (3)(FOR LZ-2290A-SR-7)



FEED MECHANISM COMPONENTS (3)(FOR LZ-2290A-SR-7)

No.	Parts No.	Parts name	Remarks	Level	Cons	Qty
48	CM300300003	ATTENTION SEAL 2(31.5)				1

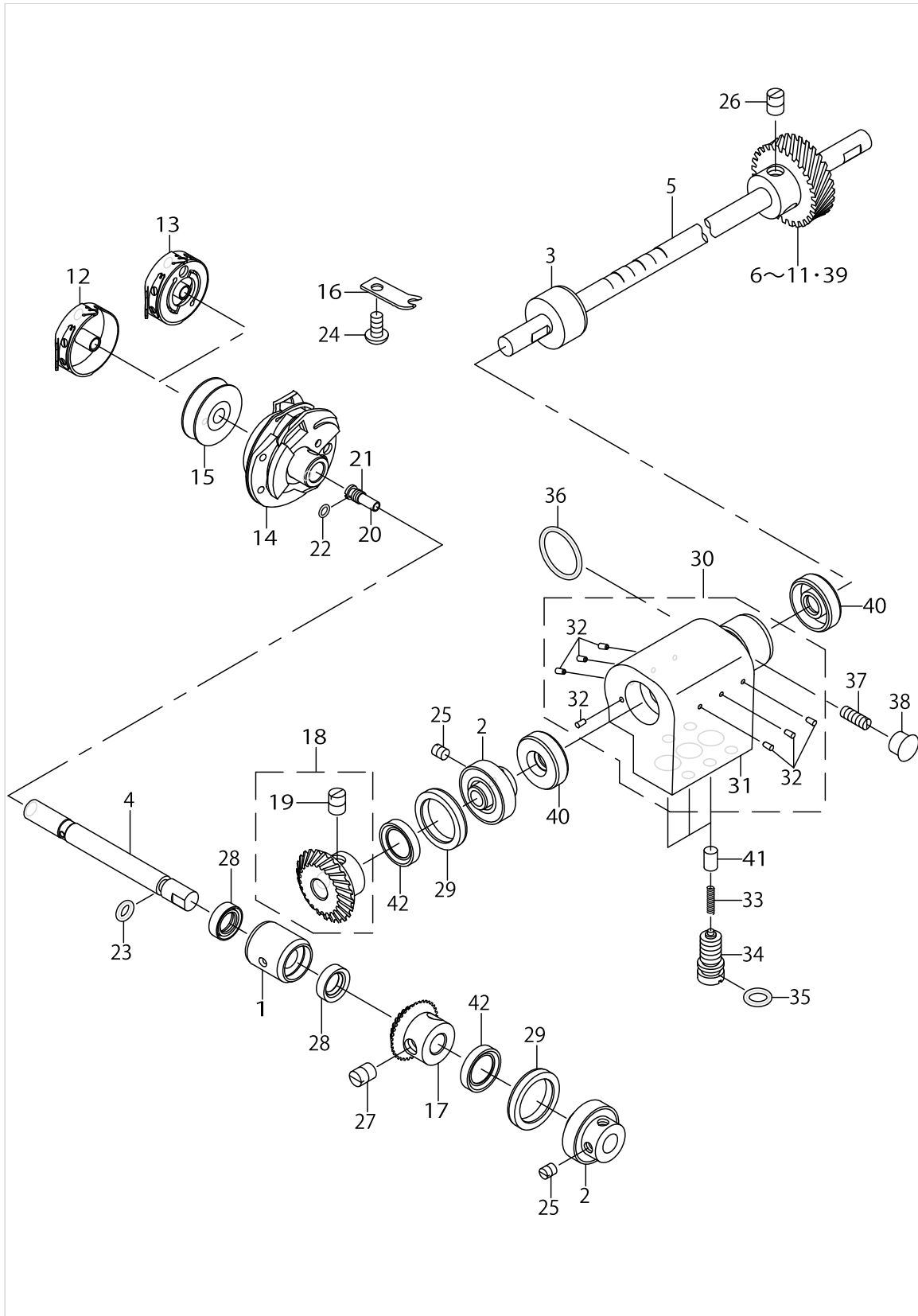
FEED MECHANISM COMPONENTS (4)(FOR LZ-2290A-SR-7)



FEED MECHANISM COMPONENTS (4)(FOR LZ-2290A-SR-7)

No.	Parts No.	Parts name	Remarks	Level	Cons	Qty
1	40011847	ASSY FEED LEVER ROD				1
2	40011848	FEED LEVER ROD		*		1
3	11846805	HOLDER PIN		*		1
4	SM8060612TP	SCREW M6 L=6		*		1
5	11050705	LEVER RETURN SPRING				1
6	40011849	FEED LEVER SHAFT				1
7	B1114280000	PIN				1
8	40011844	VOLUME LINK				1
9	SM8050612TP	SCREW M5X6				1
10	40011846	LEVER SENSOR PLATE				1
11	SL6051092TN	BOLT				2
12	EA9500B0100	CABLE BAND				2
13	HD001530000	SENSOR				1
14	40016039	FEED LEVER SENSOR ASSY				1
15	TA1250406R0	RUBBER PLUG D=12.5 L=4				1
16	SS6121860SP	SCREW 3/16-28 L=18				1
17	22952501	BACK LEVER STOPPER				1
18	23613607	FEED LEVER				1
19	SM8060812TP	SCREW M6 L=8				2
20	23613805	FEED LEVER SHAFT METAL				1
21	23613953	FEED LEVER ARM ASM.				1
22	SS6121610SP	SCREW 3/16-28 L=15.5		*		1

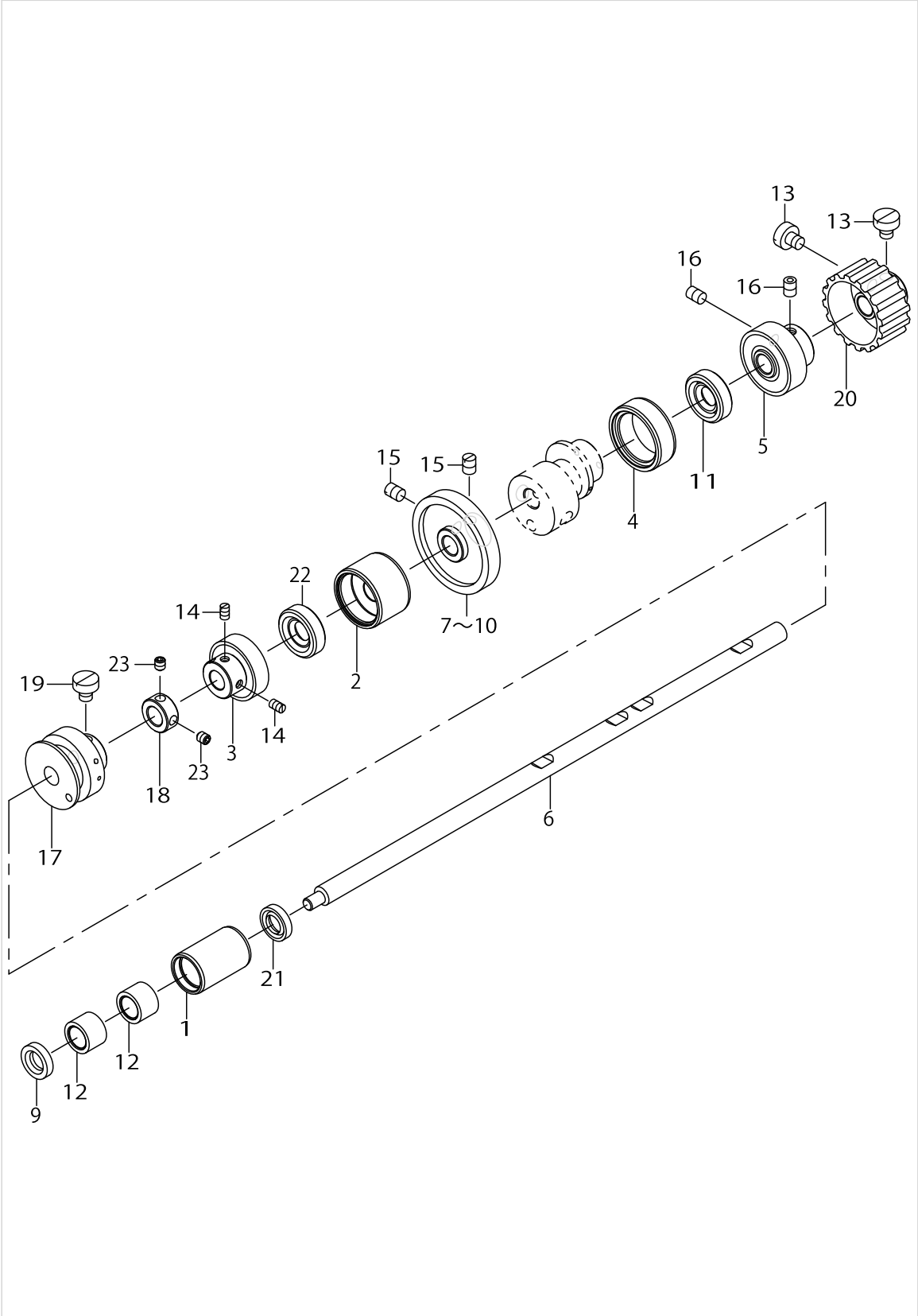
HOOK DRIVING SHAFT COMPONENTS (1)



HOOK DRIVING SHAFT COMPONENTS (1)

No.	Parts No.	Parts name	Remarks	Level	Cons	Qty
1	23535107	HOOK SHAFT FRONT METAL				1
2	40003590	HOOK SHAFT BEARING ASM.				2
3	23535602	HOOK DRIVING SHAFT REAR METAL				1
4	40010283	HOOK SHAFT				1
5	40003567	HOOK DRIVING SHAFT	SELECTIVE PARTS			1
6	23536303	HOOK DRIVING GEAR (SMALL) A	SELECTIVE PARTS			1
7	23536402	HOOK DRIVING GEAR (SMALL) B	SELECTIVE PARTS			1
8	23536501	HOOK DRIVING GEAR (SMALL) C	SELECTIVE PARTS			1
9	23536600	HOOK DRIVING GEAR (SMALL) D	SELECTIVE PARTS			1
10	23536709	HOOK DRIVING GEAR (SMALL) E	SELECTIVE PARTS			1
11	23536808	HOOK DRIVING GEAR (SMALL) F	SELECTIVE PARTS			1
12	40003599	BOBBIN CASE COMPL.				1
13	40003598	BOBBIN CASE ASM.	FOR LZ-2290A-SS/ LZ-2290A-S- U/ LZ-2290A-SS-7/ LZ-2290A-SU-7/ LZ-2290A-SR-7			1
14	22525877	HOOK COMPL. V				1
15	22596704	BOBBIN S				1
16	23503402	INNER HOOK STOPPER				1
17	B1308155000	MITRE GEAR SMALL				1
18	B13071550A0	GEAR ASM. LARGE				1
19	SS8660810TP	SCREW 1/4-40 L=8		*		2
20	11015906	OIL WICK				1
21	22916506	SET SCREW				1
22	RO036080200	RUBBER RING				1
23	RO048190100	RUBBER RING				1
24	SS4110915SP	SCREW 11/64-40 L=9				1
25	SS8110520TP	SCREW 11/64-40 L=4.5				4
26	SS8660810TP	SCREW 1/4-40 L=8				2
27	SS8660810TP	SCREW 1/4-40 L=8				2
28	40120730	HOOK SHAFT OIL SEAL				2
29	40010282	OIL SEAL COLLAR				2
30	40010261	PUMP METAL ASM.				1
31	40010262	PUMP METAL		*		1
32	TA0180401M0	NEEDLE COOLER PLUG CAP		*		7
33	23628902	PLUNGER SPRING				3
34	23629009	PLUNGER SCREW				3
35	RO068190100	RUBBER RING				3
36	RO172180100	RUBBER RING				1
37	SS8111251SP	SCREW 11/64-40 L=12.0				1
38	TA0850604R0	RUBBER PLUG				1
39	23538903	HOOK DRIVING GEAR (SMALL) S	SELECTIVE PARTS			1
40	22890008	HOOK DRIVING SHAFT OIL SEAL				2
41	23628803	PLUNGER				3
42	40011424	HOOK GEAR BOX OIL SEAL				2

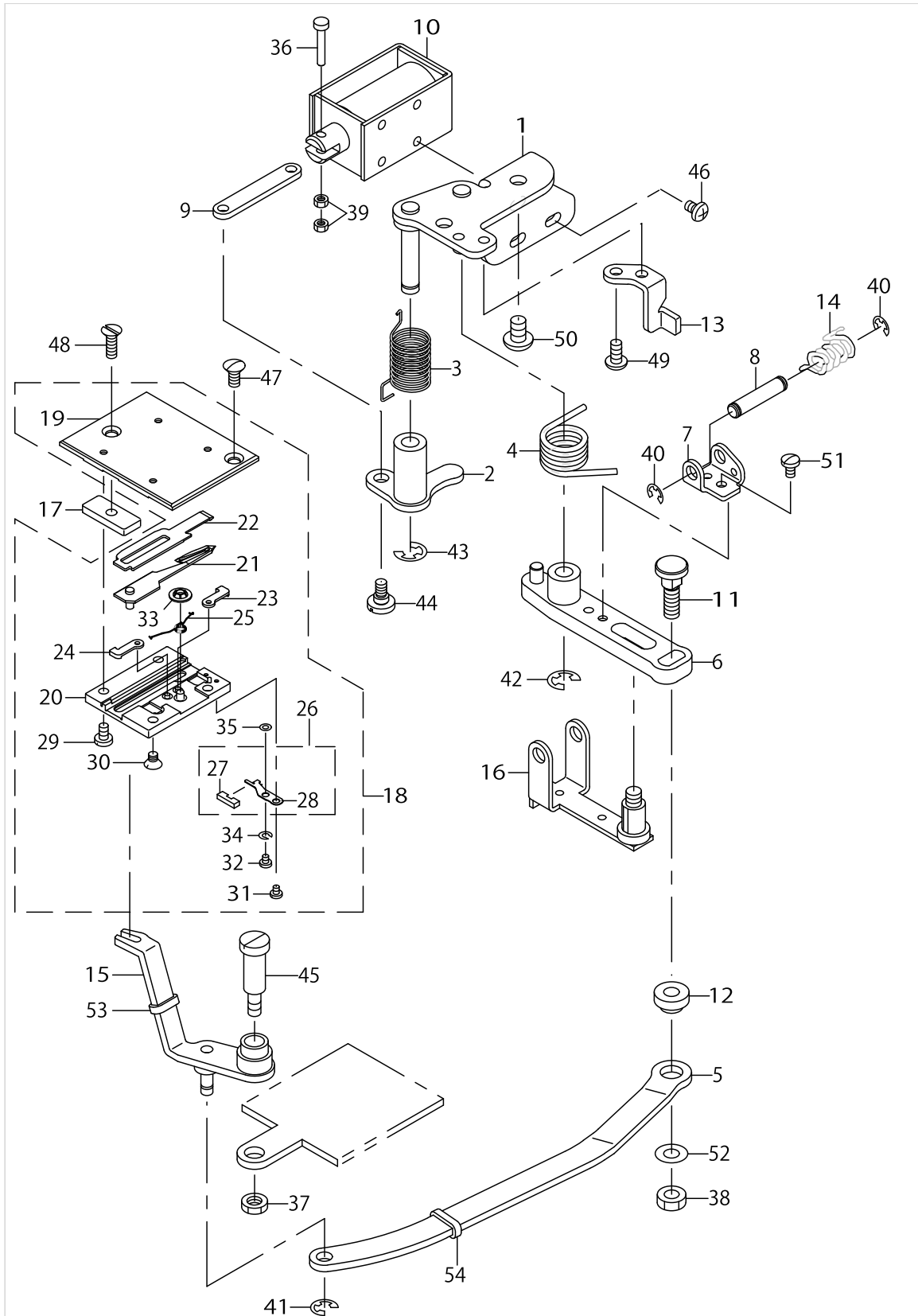
HOOK DRIVING SHAFT COMPONENTS (2)



HOOK DRIVING SHAFT COMPONENTS (2)

No.	Parts No.	Parts name	Remarks	Level	Cons	Qty
1	40010316	LOWER SHAFT FRONT BEARING BUSH				1
2	40010314	LOWER SHAFT INNER METAL				1
3	23536055	LOWER SHAFT INNER BEARING ASM.				1
4	23536105	LOWER SHAFT REAR BUSH				1
5	23536253	LOWER SHAFT REAR BEARING ASM.				1
6	40010303	LOWER SHAFT	FOR LZ-2290A-SS/ LZ-2290A- -SS-7/ LZ-2290A-SR-7			1
7	40149251	HELICAL_GEAR_A	SELECTIVE PARTS			1
8	40149252	HELICAL_GEAR_B	SELECTIVE PARTS			1
9	40149253	HELICAL_GEAR_C	SELECTIVE PARTS			1
10	40149254	HELICAL_GEAR_D	SELECTIVE PARTS			1
11	G1615880000	OIL SEAL				1
12	SB3100010C0	BEARING				2
13	SS6660710TP	SCREW 1/4-40 L=7				2
14	SS8110750SP	SCREW 11/64-40 L=6.5				2
15	SS8660810TP	SCREW 1/4-40 L=8				2
16	SM8060812TP	SCREW M6 L=8				2
17	23541709	THREAD TRIMMER CAM				1
18	CS1000881TP	THRUST COLLAR				1
19	SS6660710TP	SCREW 1/4-40 L=7				2
20	40160262	LOWER_SHAFT_SPROCKET				1
21	B2508704000	OIL SEAL				2
22	G1615880000	OIL SEAL				1
23	SM80506A2TP	SCREW M5 L=6				2

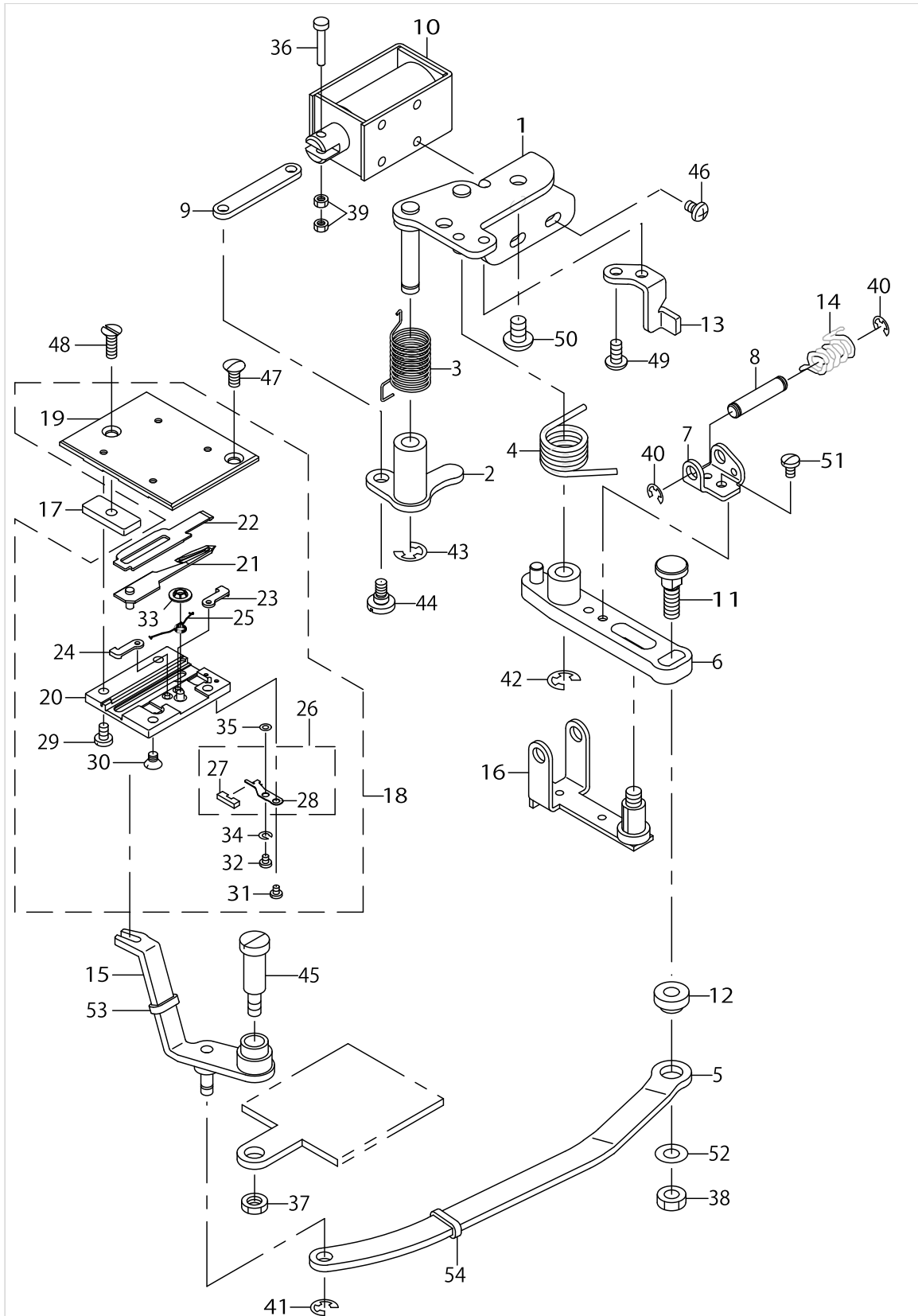
THREAD TRIMMER MECHANISM COMPONENTS(FOR LZ-2290A-SS-7,LZ-2290A-SU-7,LZ-2290A-SR-7)



THREAD TRIMMER MECHANISM COMPONENTS(FOR LZ-2290A-SS-7,LZ-2290A-SU-7,LZ-2290A-SR-7)

No.	Parts No.	Parts name	Remarks	Level	Cons	Qty
1	40010290	BASE PLATE ASM.				1
2	23542053	CLUTCH PLATE ASM.				1
3	23542103	CLUTCH RETURN SPRING				1
4	23542202	KNIFE RETURN SPARING				1
5	23541808	MOVING KNIFE LINK				1
6	11040854	KNIFE DRIVING ARM ASM.				1
7	22949002	ROLLER ARM SEAT				1
8	22949101	ROLLER FULCRUM SHAFT				1
9	22554505	CLUTCH LINK				1
10	23542301	THREAD TRIMMER SOLENOID				1
11	40010295	MOVING KNIFE LINK PIN				1
12	22554802	MOVING KNIFE LINK BASE				1
13	22554901	DRIVING ARM STOPPER				1
14	22555304	ROLLER RETURN SPRING				1
15	22555551	FORK KNIFE ASM.				1
16	22555858	ROLLER ARM ASM.				1
17	22556906	FIXED PLATE				1
18	22557458	KNIFE UNIT				1
19	22558308	SLIDING PLATE		*		1
20	22558407	KNIFE BASE		*		1
21	22557557	DRIVING KNIFE ASM.		*		1
22	22557706	FIXED KNIFE		*		1
23	22557805	KNIFE STOPPER RIGHT		*		1
24	22557904	KNIFE STOPPER LEFT		*		1
25	22558209	SPRING		*		1
26	22558159	CLAMP PLATE ASM.		*		1
27	22558001	FELT		*		1
28	22558100	CLAMP PLATE		*		1
29	SS7090610SP	SCREW 9/64-40 L=6		*		2
30	SS1090510SP	SCREW 9/64-40 L=5		*		2
31	SS7060310SP	SCREW 3/32-56 L=3		*		1
32	SS7060310SP	SCREW 3/32-56 L=3		*		1
33	NP210300000	LOCATING SPRING WASHER		*		1
34	WS0270002KN	SPRING WASHER M2.6		*		1
35	D2056772B0B	WASHER B T=0.4		*		1
36	23542418	CLUTCH LINK PIN				1
37	NS6150310SP	NUT 15/64-28				1
38	NS6150430SP	NUT 15/64-28				1
39	NM6030001SB	NUT M3				2
40	RE0400000K0	E-RING 4				2
41	RE0500000K0	E-RING				1
42	RE0600000K0	E-RING 6				1
43	RE0600000K0	E-RING 6				1
44	SD0600291TP	HINGE SCKEW D=6 H=2.9				1
45	SD0791503SP	HINGE SCREW D=7.94 H=15				1
46	SM4040601SC	SCREW M4X0.7 L=6				3
47	SS2110920TP	SCREW 11/64-40 L=8.5				1

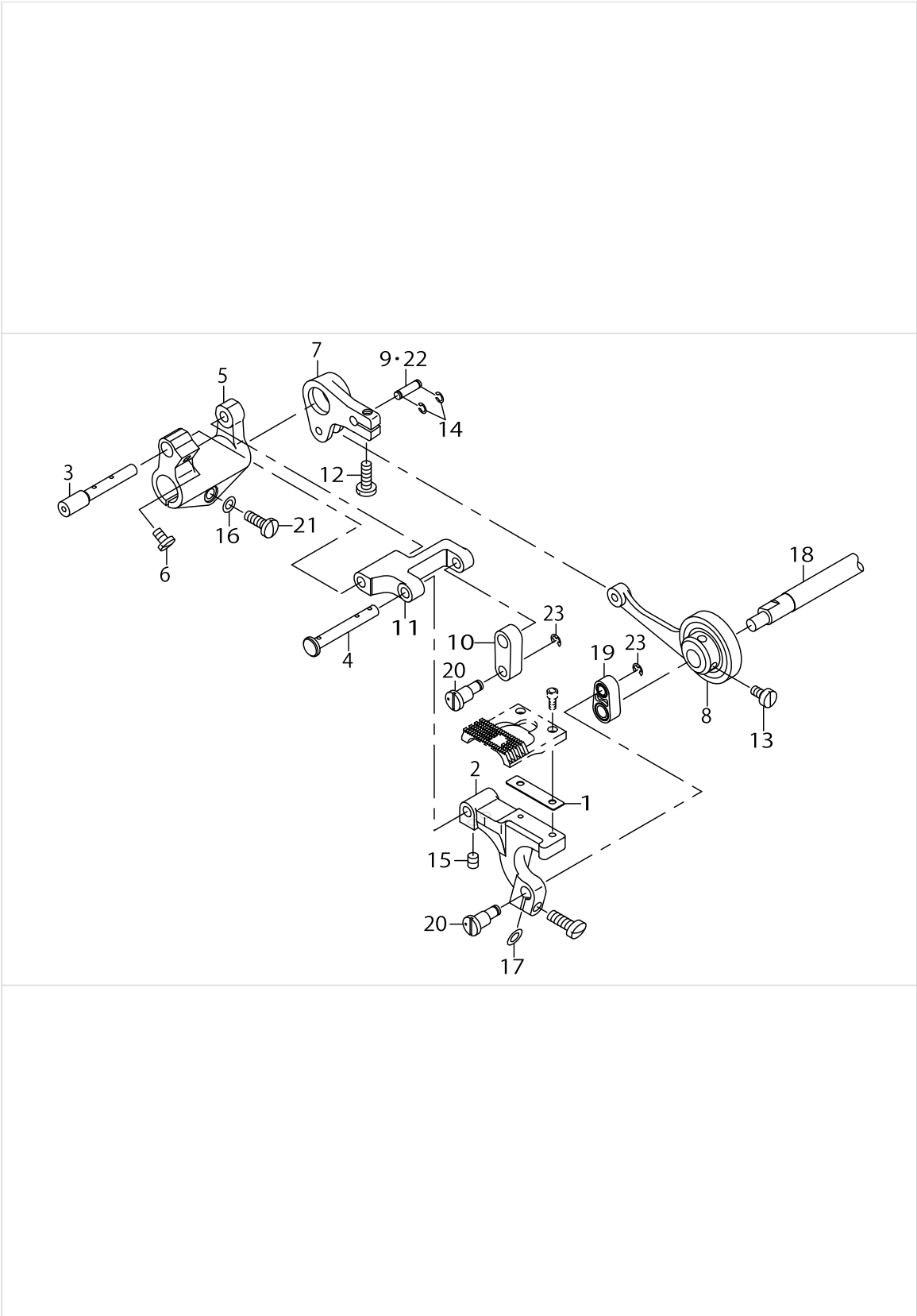
THREAD TRIMMER MECHANISM COMPONENTS(FOR LZ-2290A-SS-7,LZ-2290A-SU-7,LZ-2290A-SR-7)



THREAD TRIMMER MECHANISM COMPONENTS(FOR LZ-2290A-SS-7,LZ-2290A-SU-7,LZ-2290A-SR-7)

No.	Parts No.	Parts name	Remarks	Level	Cons	Qty
48	SS2111010TP	SCREW 11/64-40 L=9.5				1
49	SS4110915SP	SCREW 11/64-40 L=9				2
50	SS4150915SP	SCREW 15/64-28 L=9				2
51	SS7090610SP	SCREW 9/64-40 L=6				1
52	WP0621016SH	WASHER				1
53	22919203	OIL PROTECTING RUBBER				1
54	BP600000000	VINYL PIPE				1

FEED MECHANISM COMPONENTS(FOR LZ-2290A-SU,LZ-2290A-SU-7,LZ-2290A-DU,LZ-2290A-DU-7)



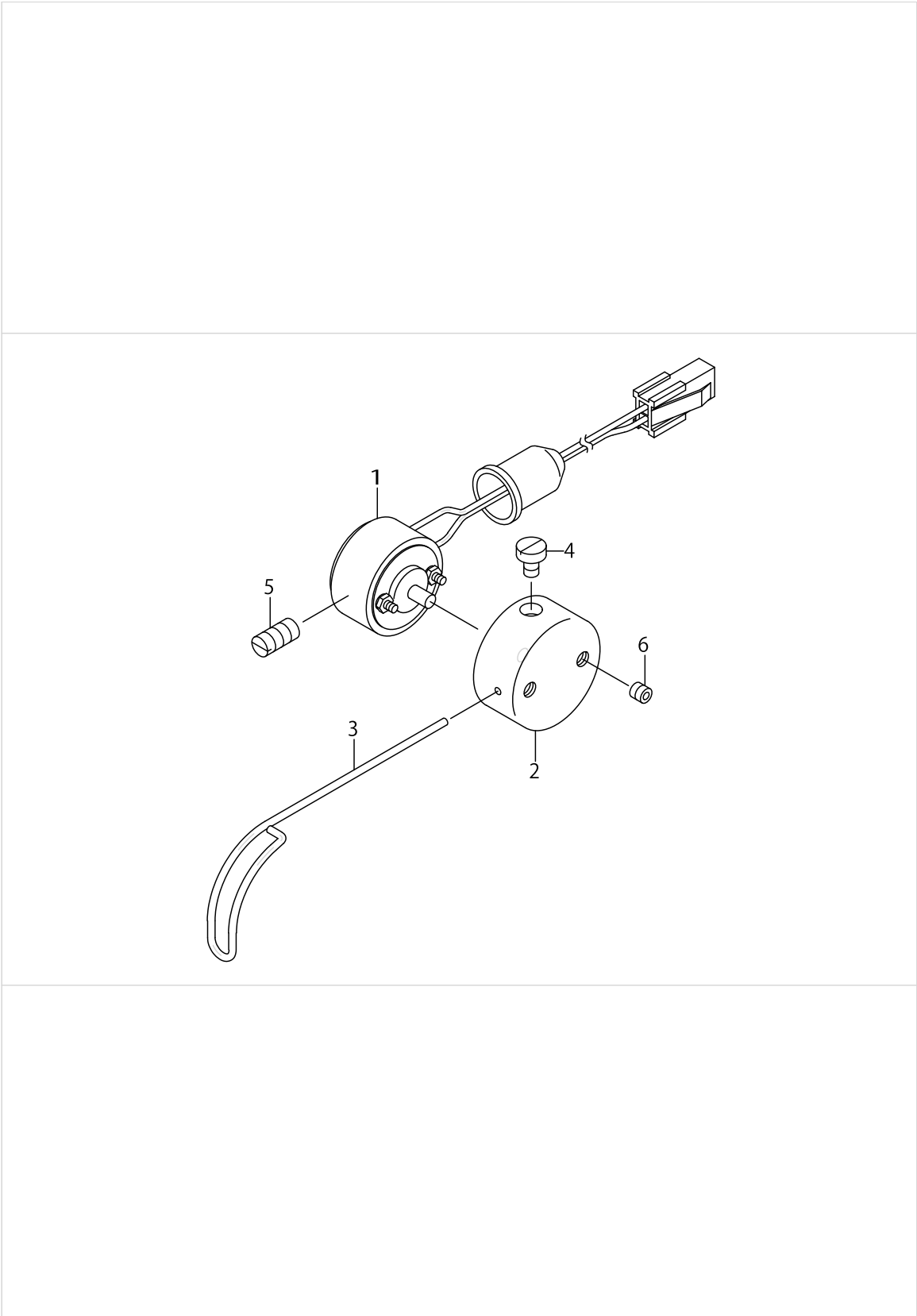
FEED MECHANISM COMPONENTS(FOR LZ-2290A-SU,LZ-2290A-SU-7,LZ-2290A-DU,LZ-2290A-DU-7)

No.	Parts No.	Parts name	Remarks	Level	Cons	Qty
1	10025906	SPACER	FOR LZ-2290A-SU/ LZ-2290A-SU-7			1
2	23501901	FEED BASE				1
3	22913206	FEED BASE SHAFT				1
4	23501802	FEED BASE SHAFT B				1
5	22913107	FEED BASE ARM				1
6	SS7110740TP	SCREW 11/64-40 L=7				1
7	23545403	VERTICAL FEED ARM				1
8	23501356	VERTICAL FEED CAM ASM.	FOR LZ-2290A-SU/ LZ-2290A-SU-7			1
9	11214806	PIN	FOR LZ-2290A-SU/ LZ-2290A-SU-7			1
10	23501703	LINK B				1
11	23501604	FEED BASE LINK				1
12	SS7121410TP	SCREW 3/16-28 L=14				1
13	SS6110820TP	SCREW 11/64-40 L=8	FOR LZ-2290A-SU/ LZ-2290A-SU-7			2
14	RC0330415KP	SNAP RING	FOR LZ-2290A-SU/ LZ-2290A-SU-7			2
15	SM8050612TP	SCREW M5X6				2
16	WP0480856SP	WASHER 4.8X8.4X0.8				1
17	WP0500916SD	WASHER 5X7X0.9				1
18	23545106	LOWER SHAFT U	FOR LZ-2290A-SU/ LZ-2290A-SU-7			1
19	40010264	VERTICAL FEED LINK	FOR LZ-2290A-DU/ LZ-2290A-DU-7			1
20	23558406	VERTICAL FEED LINK SHAFT D	FOR LZ-2290A-DU/ LZ-2290A-DU-7			2
21	SS7121410TP	SCREW 3/16-28 L=14				1
22	23559909	VERTICAL FEED ROD PIN DU	FOR LZ-2290A-DU/ LZ-2290A-DU-7			1
23	RE0300000K0	E-RING 3				2

AUTOMATIC REVERSE FEED MECHANISM COMPONENTS(FOR LZ-2290A-SS-7,LZ-2290A-SU-7)

No.	Parts No.	Parts name	Remarks	Level	Cons	Qty
1	23542509	AUTOMATIC REVERSE FEED LINK				1
2	40010307	AUTOMATIC REVERSE FEED ARM				1
3	40008596	SOLENOID BASE ASM.				1
4	40108063	REVERSE FEED SOLENOID		*		1
5	40108064	REVERSE FEED SOLENOID PLUNGER		*		1
6	23542707	REVERSE FEED SOLENOID BASE		*		1
7	D2468555B00	RUBBER PLUNGER		*		1
8	RE1200000K0	E-RING 12		*		1
9	SS7110740TP	SCREW 11/64-40 L=7		*		3
10	WP1703001SC	WASHER 17X30X3		*		1
11	HK03464000B	PIN CONTACT		*		2
12	CM300300003	ATTENTION SEAL 2(3.15)		*		1
13	11314408	PLUNGER ARM PIN				1
14	NS6110350SP	NUT 11/64-40				2
15	SD0600452TP	HINGE SCREW D=6 H=4.5				2
16	SD0951501SP	HINGE SCREW D=9.53 H=15				1
17	SS4150915SP	SCREW 15/64-28 L=9				2
18	40010280	SOLENOID BASE STUD				2

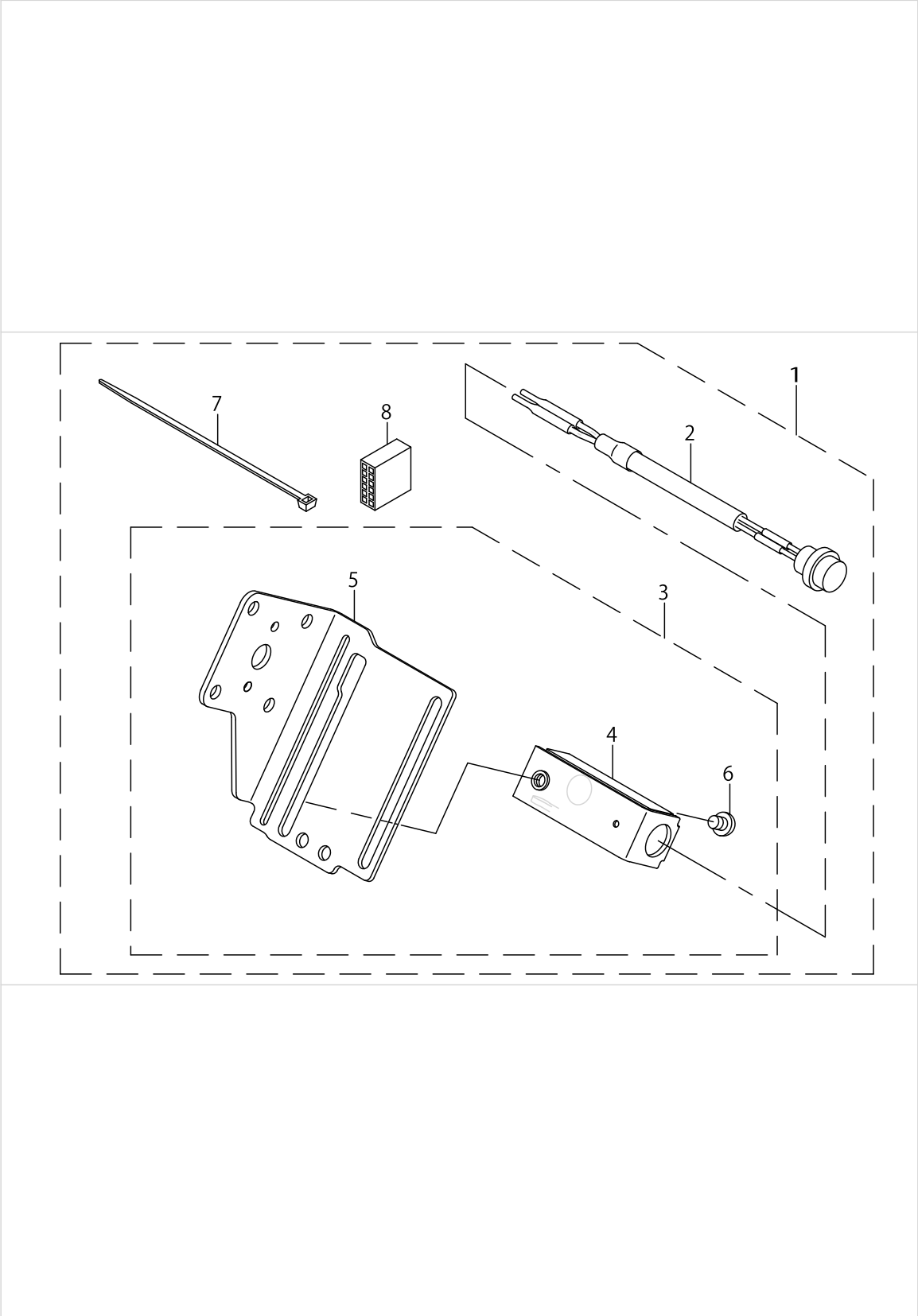
THREAD FEEDER COMPONENTS



THREAD FEEDER COMPONENTS

No.	Parts No.	Parts name	Remarks	Level	Cons	Qty
1	23538457	FEEDER SOLENOID ASM.	FOR LZ-2290A-SS-7/ LZ-2290-A-SU-7/ LZ-2290A-SR-7			1
2	40010321	FEEDER WIRE FITTING BASE	FOR LZ-2290A-SS-7/ LZ-2290-A-SU-7/ LZ-2290A-SR-7			1
3	23538606	FEEDER WIRE	FOR LZ-2290A-SS-7/ LZ-2290-A-SU-7/ LZ-2290A-SR-7			1
4	SS6110650TP	SCREW 11/64-40 L=5.5	FOR LZ-2290A-SS-7/ LZ-2290-A-SU-7/ LZ-2290A-SR-7			1
5	SS8151230SP	SCREW 15/64-28 L=12	FOR LZ-2290A-SS-7/ LZ-2290-A-SU-7/ LZ-2290A-SR-7			1
6	SS8110422TP	SCREW 11/64-40 L=4	FOR LZ-2290A-SS-7/ LZ-2290-A-SU-7/ LZ-2290A-SR-7			2

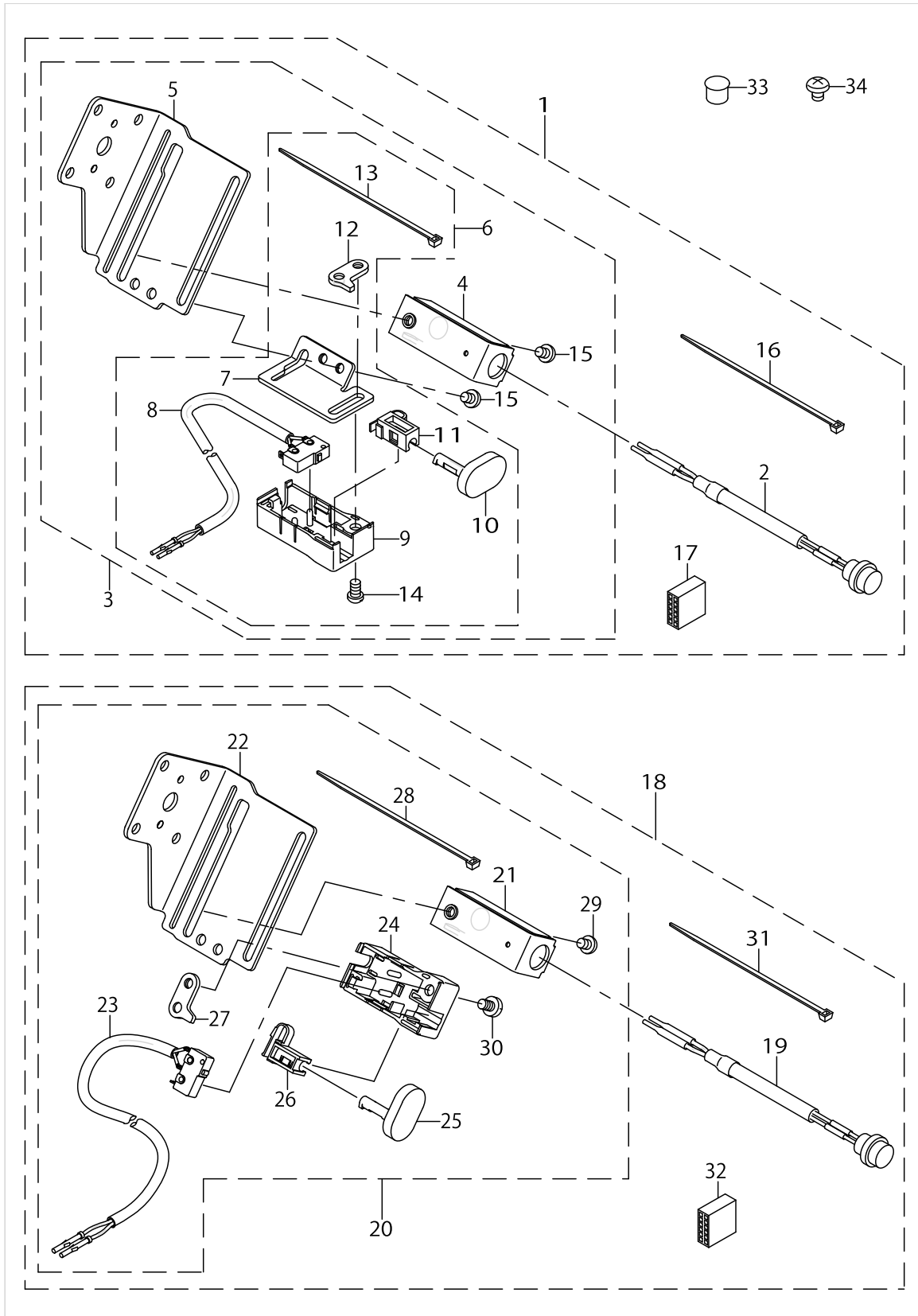
MANUAL SWITCH COMPONENTS (FOR LZ-2290A-SS,LZ-2290A-SU)



MANUAL SWITCH COMPONENTS (FOR LZ-2290A-SS,LZ-2290A-SU)

No.	Parts No.	Parts name	Remarks	Level	Cons	Qty
1	40003582	MANUAL SWITCH BASE COMPL.				1
2	40003570	SWLED CABLE A ASM.		*		1
3	40003583	MANUAL SWITCH BASE ASM.		*		1
4	40003575	UP-AND-DOWN SWITCH BASE		*		1
5	40003578	MANUAL SWITCH BASE		*		1
6	SS4110515SP	SCREW 11/64-40 L=5		*		1
7	EA9500B0100	CABLE BAND		*		1
8	HK034610120	HOUSING 12P		*		1

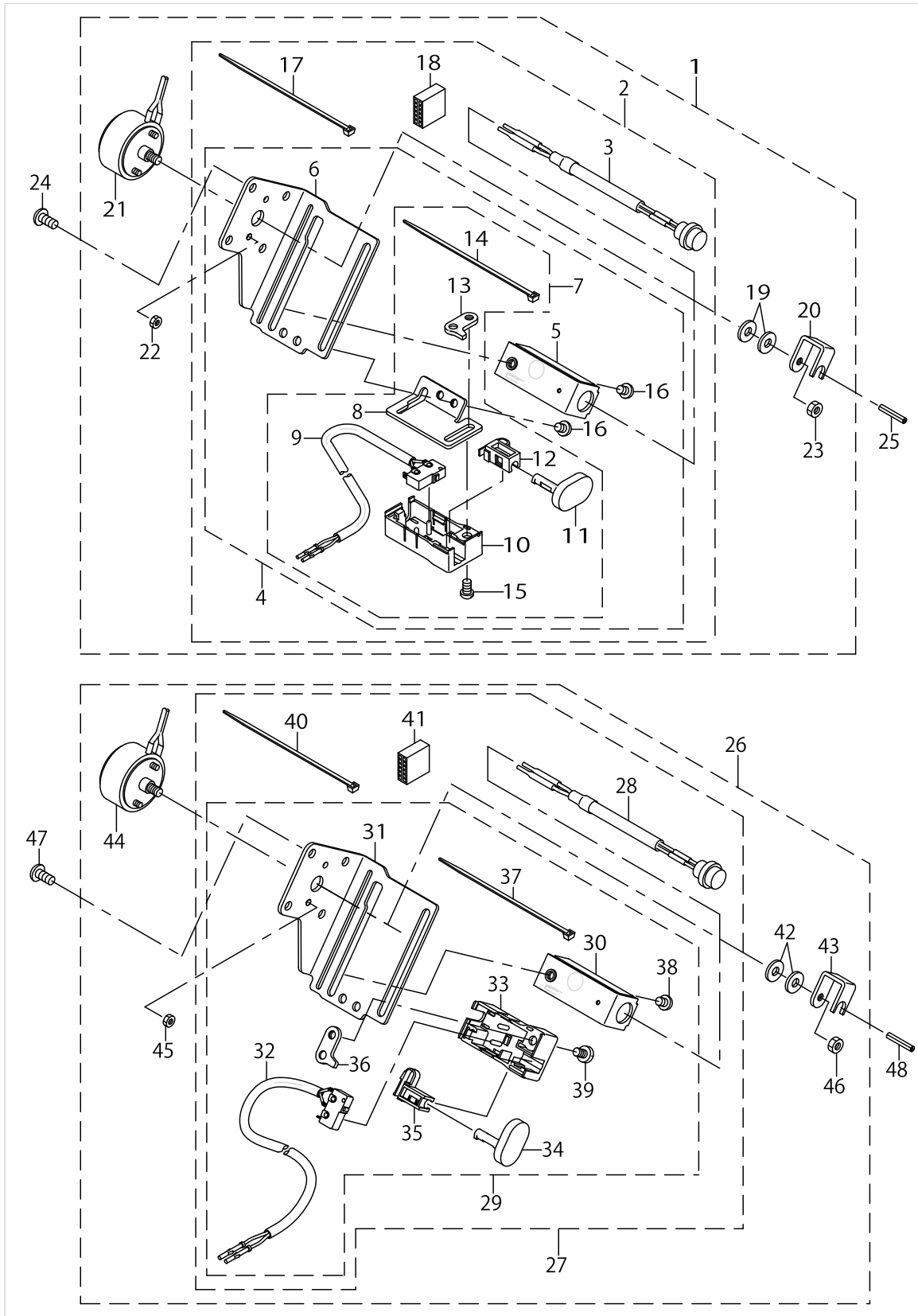
MANUAL SWITCH COMPONENTS (FOR LZ-2290A-SS-0B,LZ-2290A-SU-0B)



MANUAL SWITCH COMPONENTS (FOR LZ-2290A-SS-0B,LZ-2290A-SU-0B)

No.	Parts No.	Parts name	Remarks	Level	Cons	Qty
1	40003574	MANUAL SWITCH BASE COMPL. A	VARIOUS NOS.FOR DESTINATIONS			1
2	40003570	SWLED CABLE A ASM.		*		1
3	40003577	MANUAL SWITCH BASE ASM. A		*		1
4	40003575	UP-AND-DOWN SWITCH BASE		*		1
5	40003578	MANUAL SWITCH BASE		*		1
6	40003579	TOUCH BACK SWITCH BASE ASM.		*		1
7	40003580	TOUCH BACK SWITCH BASE		*		1
8	40003581	REVERSE FEED CORD ASM.		*		1
9	23631708	REVERSE FEED SWITCH COVER		*		1
10	23631807	REVERSE FEED SWITCH SHAFT		*		1
11	23631906	REVERSE FEED SWITCH SUPPORT		*		1
12	23632102	REVERSE FEED SWITCH BASE GUIDE		*		1
13	EA9500B0100	CABLE BAND		*		1
14	SS7110740TP	SCREW 11/64-40 L=7		*		1
15	SS4110515SP	SCREW 11/64-40 L=5		*		3
16	EA9500B0100	CABLE BAND		*		1
17	HK034610120	HOUSING 12P		*		1
18	40003573	MANUAL SWITCH BASE COMPL. B	VARIOUS NOS.FOR DESTINATIONS			1
19	40003570	SWLED CABLE A ASM.		*		1
20	40003576	MANUAL SWITCH BASE ASM. B		*		1
21	40003575	UP-AND-DOWN SWITCH BASE		*		1
22	40003578	MANUAL SWITCH BASE		*		1
23	40003581	REVERSE FEED CORD ASM.		*		1
24	23631708	REVERSE FEED SWITCH COVER		*		1
25	23631807	REVERSE FEED SWITCH SHAFT		*		1
26	23631906	REVERSE FEED SWITCH SUPPORT		*		1
27	23632102	REVERSE FEED SWITCH BASE GUIDE		*		1
28	EA9500B0100	CABLE BAND		*		1
29	SS4110515SP	SCREW 11/64-40 L=5		*		1
30	SS7110740TP	SCREW 11/64-40 L=7		*		1
31	EA9500B0100	CABLE BAND		*		1
32	HK034610120	HOUSING 12P		*		1
33	TA0950806R0	RUBBER PLUG				1
34	SS4120615SP	SCREW 3/16-28 L=6				2

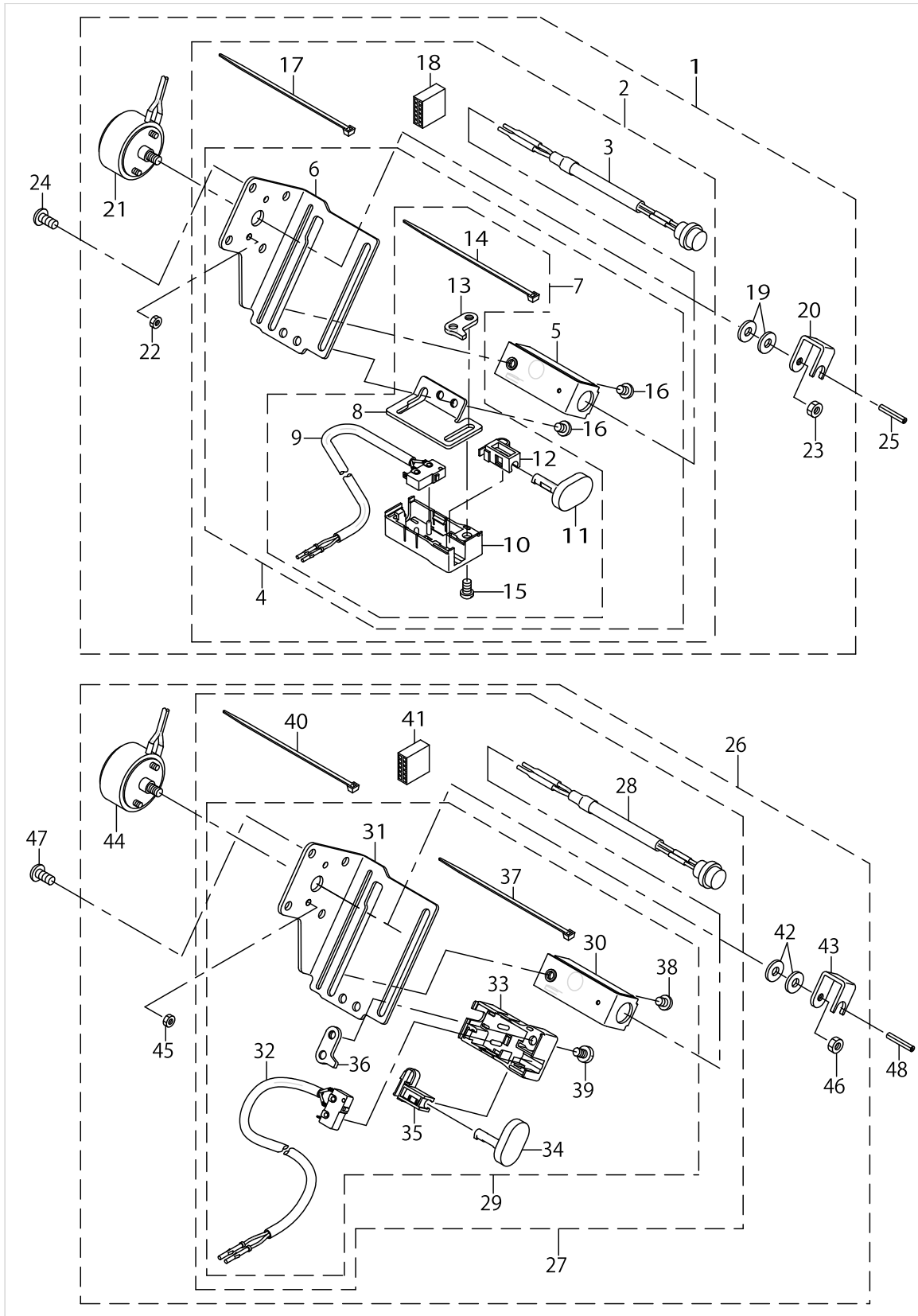
THREAD RELEASE SOLENOID COMPONENTS(FOR LZ-2290A-SS-7,LZ-2290A-SU-7,LZ-2290A-SR-7)



THREAD RELEASE SOLENOID COMPONENTS(FOR LZ-2290A-SS-7,LZ-2290A-SU-7,LZ-2290A-SR-7)

No.	Parts No.	Parts name	Remarks	Level	Cons	Qty
1	40003572	SOLENOID COMPL. A	VARIOUS NOS.FOR DESTINATIONS			1
2	40003574	MANUAL SWITCH BASE COMPL. A		*		1
3	40003570	SWLED CABLE A ASM.		*		1
4	40003577	MANUAL SWITCH BASE ASM. A		*		1
5	40003575	UP-AND-DOWN SWITCH BASE		*		1
6	40003578	MANUAL SWITCH BASE		*		1
7	40003579	TOUCH BACK SWITCH BASE ASM.		*		1
8	40003580	TOUCH BACK SWITCH BASE		*		1
9	40003581	REVERSE FEED CORD ASM.		*		1
10	23631708	REVERSE FEED SWITCH COVER		*		1
11	23631807	REVERSE FEED SWITCH SHAFT		*		1
12	23631906	REVERSE FEED SWITCH SUPPORT		*		1
13	23632102	REVERSE FEED SWITCH BASE GUIDE		*		1
14	EA9500B0100	CABLE BAND		*		1
15	SS7110740TP	SCREW 11/64-40 L=7		*		1
16	SS4110515SP	SCREW 11/64-40 L=5		*		3
17	EA9500B0100	CABLE BAND		*		1
18	HK034610120	HOUSING 12P		*		1
19	13705603	FRAME SIDE COVER GASKET		*		2
20	22552905	THREAD RELEASE PUSH PLATE		*		1
21	40003651	THREAD RELEASE SOLENOID ASM.		*		1
22	NM6030001SC	NUT M3		*		2
23	NM6040001SN	NUT M4X0.7		*		1
24	SS4121015SP	SCREW 3/16-28 L=10				4
25	PS0300182KF	SPRING PIN 3X18				1
26	40003571	SOLENOID COMPL. B	VARIOUS NOS.FOR DESTINATIONS			1
27	40003573	MANUAL SWITCH BASE COMPL. B		*		1
28	40003570	SWLED CABLE A ASM.		*		1
29	40003576	MANUAL SWITCH BASE ASM. B		*		1
30	40003575	UP-AND-DOWN SWITCH BASE		*		1
31	40003578	MANUAL SWITCH BASE		*		1
32	40003581	REVERSE FEED CORD ASM.		*		1
33	23631708	REVERSE FEED SWITCH COVER		*		1
34	23631807	REVERSE FEED SWITCH SHAFT		*		1
35	23631906	REVERSE FEED SWITCH SUPPORT		*		1
36	23632102	REVERSE FEED SWITCH BASE GUIDE		*		1
37	EA9500B0100	CABLE BAND		*		1
38	SS4110515SP	SCREW 11/64-40 L=5		*		1
39	SS7110740TP	SCREW 11/64-40 L=7		*		1
40	EA9500B0100	CABLE BAND		*		1
41	HK034610120	HOUSING 12P		*		1
42	13705603	FRAME SIDE COVER GASKET		*		1
43	22552905	THREAD RELEASE PUSH PLATE		*		1
44	40003651	THREAD RELEASE SOLENOID ASM.		*		1
45	NM6030001SC	NUT M3		*		2
46	NM6040001SN	NUT M4X0.7		*		1

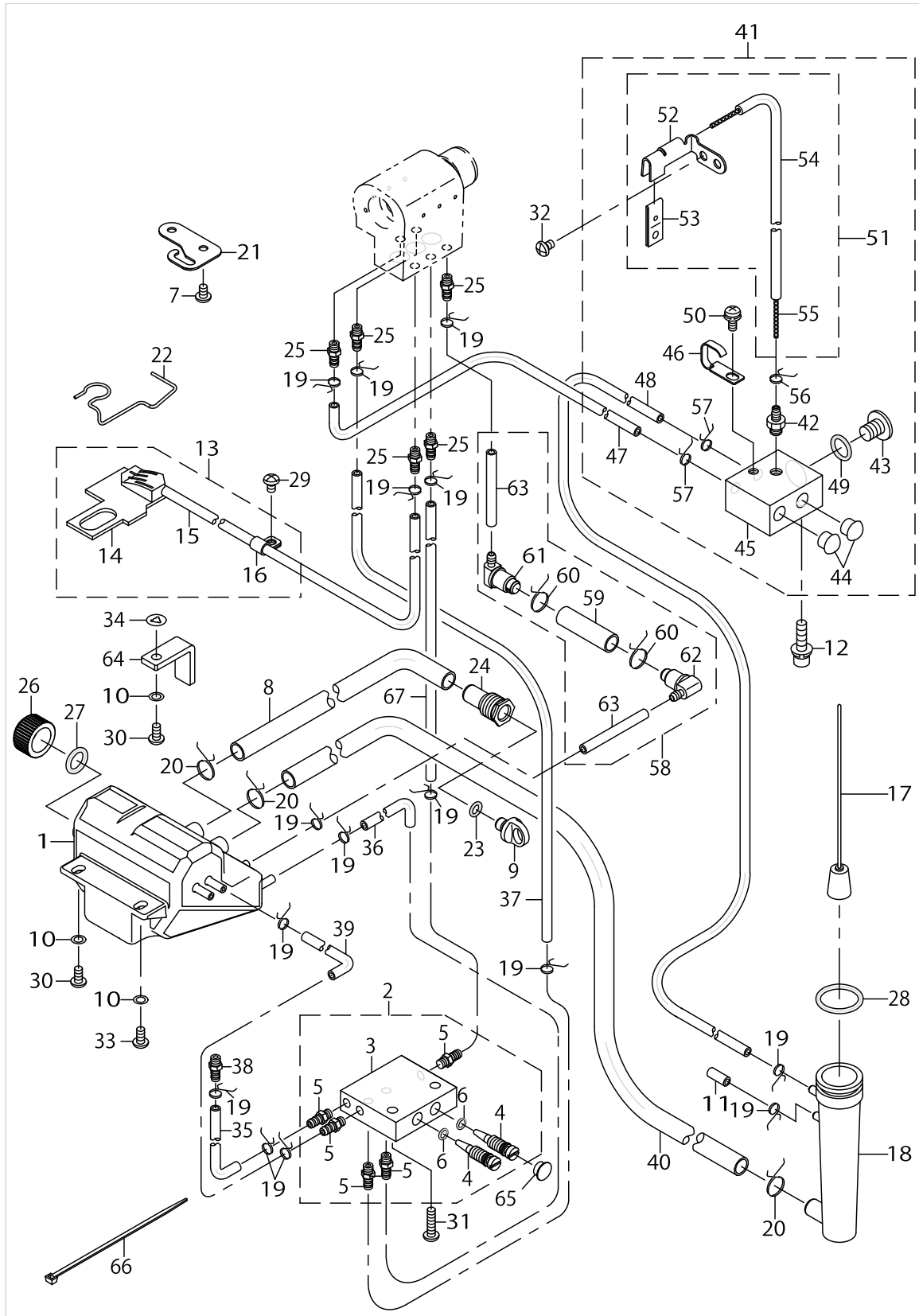
THREAD RELEASE SOLENOID COMPONENTS(FOR LZ-2290A-SS-7,LZ-2290A-SU-7,LZ-2290A-SR-7)



THREAD RELEASE SOLENOID COMPONENTS(FOR LZ-2290A-SS-7,LZ-2290A-SU-7,LZ-2290A-SR-7)

No.	Parts No.	Parts name	Remarks	Level	Cons	Qty
47	SS4121015SP	SCREW 3/16-28 L=10				4
48	PS0300182KF	SPRING PIN 3X18				1

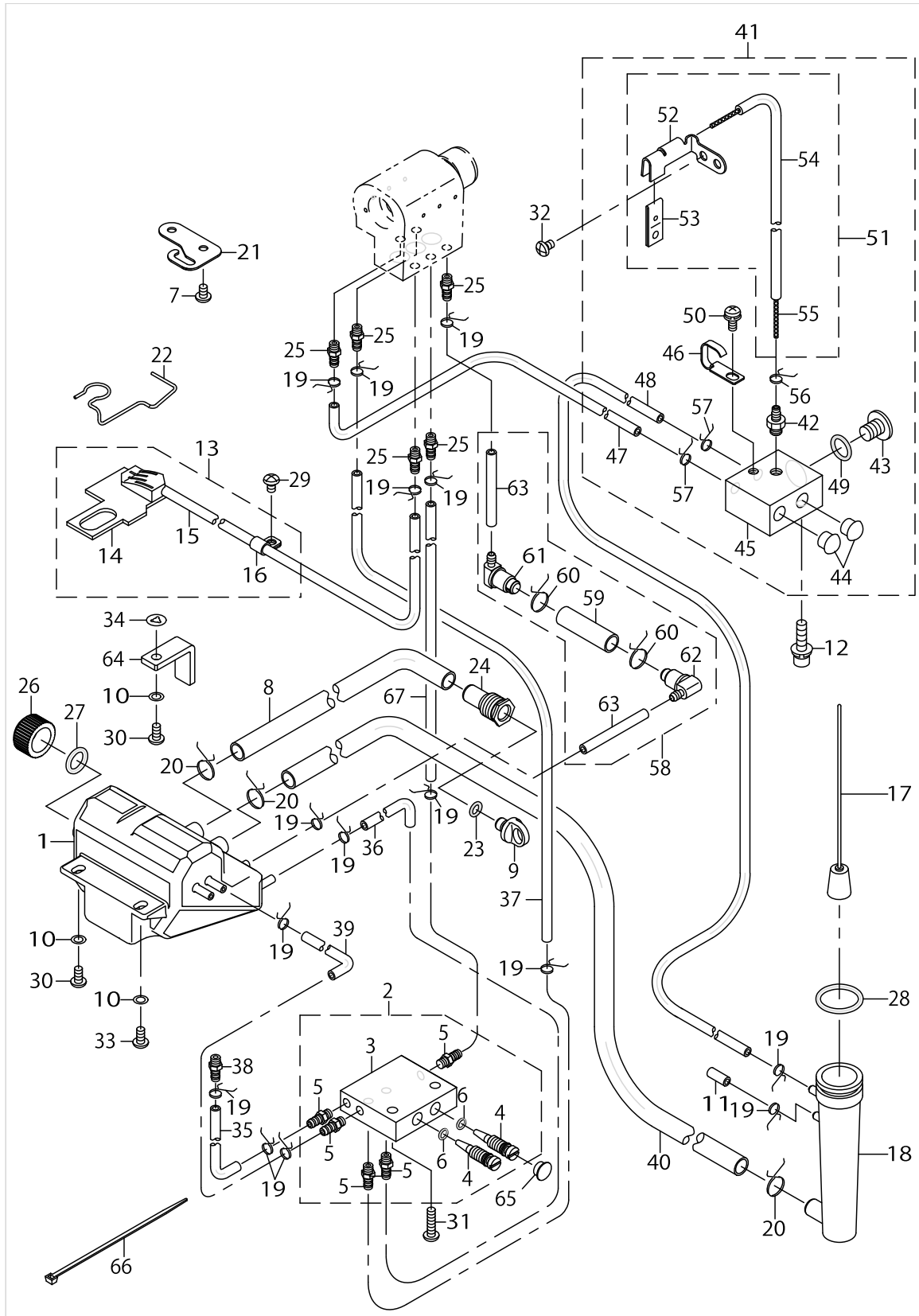
LUBRICATION COMPONENTS(EXCEPT LZ-2290A-DS,LZ-2290A-DS-7,LZ2290A-DU,LZ-2290A-DU-7)



LUBRICATION COMPONENTS(EXCEPT LZ-2290A-DS,LZ-2290A-DS-7,LZ2290A-DU,LZ-2290A-DU-7)

No.	Parts No.	Parts name	Remarks	Level	Cons	Qty
1	40175861	OIL_TANK				1
2	23539372	HOOK OIL REGULATING ASM.				1
3	23539315	HOOK OIL REGULATING		*		1
4	23539414	HOOK OIL REGULATING SCREW		*		2
5	23629801	LUBRICATION CONNECTOR		*		5
6	RO037180100	RUBBER RING		*		2
7	SS4120615SP	SCREW 3/16-28 L=6				2
8	23630106	TUBE B				0.39
9	40000344	LUBRICATING INLET CAP				1
10	WP0460556SD	WASHER 4.6X7.5X0.5				3
11	23540305	FLOATER CASE CAP				1
12	SL6052092TN	SCREW				2
13	23540057	ONCE THROUGH OIL FELT ASM.				1
14	23540008	ONCE THROUGH OIL FELT		*		1
15	23630007	TUBE		*		1.07
16	B3536122000	HOLDER		*		1
17	23628357	FLOATER ASM.				1
18	23628704	FLOATER CASE				1
19	23629306	PIPE STOPPER A				15
20	23629405	PIPE STOPPER B				3
21	23539703	LUBRICATION TANK PIPE GUIDE				1
22	23540107	ONCE THROUGH OIL FELT PRESSER				1
23	RO048190100	RUBBER RING				1
24	40000343	LUBRICATING INLET				1
25	23629801	LUBRICATION CONNECTOR				5
26	40013595	OIL_EXIT_CAP				1
27	RO098240100	RUBBER RING				1
28	RO195240100	RUBBER RING				1
29	SS4110615SP	SCREW 11/64-40 L=6				1
30	SS4110815SP	SCREW 11/64-40 L=8				2
31	SS4121615SP	SCREW 3/16-28 L=16				2
32	SS4110615SP	SCREW 11/64-40 L=6				2
33	SS4111415SP	SCREW 11/64-40 L=14				1
34	M8002430000	STOPPER				1
35	23630007	TUBE				0.07
36	23630007	TUBE				0.16
37	23630007	TUBE				0.16
38	23629801	LUBRICATION CONNECTOR				1
39	23630007	TUBE				0.18
40	23630106	TUBE B				0.3
41	40149239	FACE LUBRICATION TANK ASM.				1
42	40050598	LUBRICATION CONNECTOR		*		1
43	SM0081001SD	SCREW		*		1
44	TA0850604R0	RUBBER PLUG		*		2
45	40149240	FACE LUBRICATION TANK		*		1
46	40022407	CORD HOLDER		*		1
47	23630007	TUBE		*		0.475

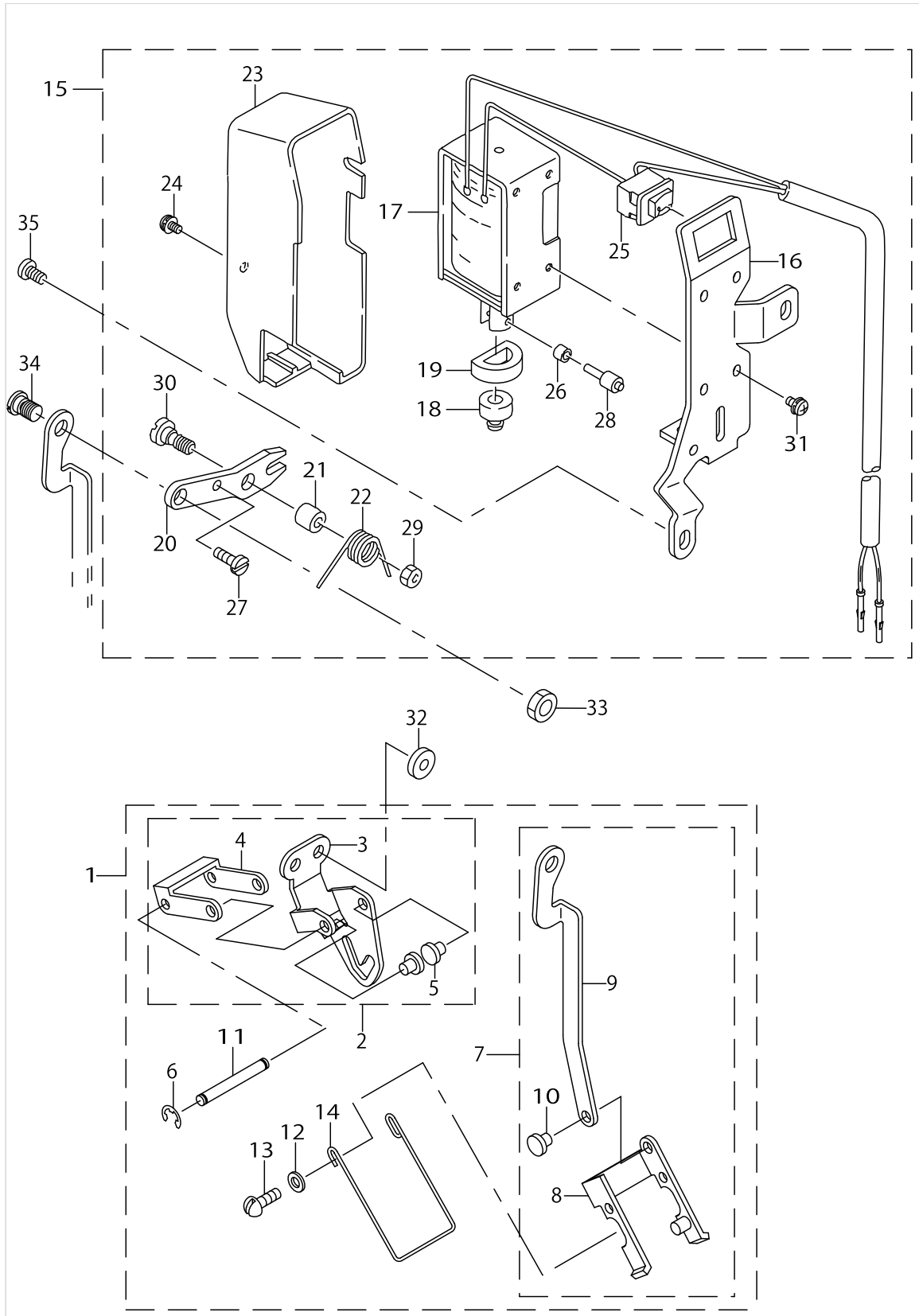
LUBRICATION COMPONENTS(EXCEPT LZ-2290A-DS,LZ-2290A-DS-7,LZ2290A-DU,LZ-2290A-DU-7)



LUBRICATION COMPONENTS(EXCEPT LZ-2290A-DS,LZ-2290A-DS-7,LZ2290A-DU,LZ-2290A-DU-7)

No.	Parts No.	Parts name	Remarks	Level	Cons	Qty
48	23630007	TUBE		*		0.188
49	RO098240100	RUBBER RING		*		1
50	SL4051091SC	SCREW M5X0.8 L=10		*		1
51	23539562	FACE LUBRICATION PRESSER ASM.		*		1
52	23539513	FACE LUBRICATION PRESSER		*		1
53	B3518280000	BALANCE LUBRICATING		*		1
54	23630007	TUBE		*		0.42
55	CQ220000000	OUL WICK		*		0.46
56	23629306	PIPE STOPPER A		*		1
57	10126803	OIL TUBE HOLDER		*		2
58	23630452	OIL FILTER ASM.				1
59	23630106	TUBE B		*		0.04
60	23629405	PIPE STOPPER B		*		2
61	23630650	OIL FILTER JOINT ASM.		*		1
62	23630601	OIL FILTER JOINT		*		1
63	23630007	TUBE		*		0.09
64	40176805	OIL_TANK_PLATE				1
65	TA0750404R0	PLUG D=7.5 L=3.5				1
66	EA9500B0100	CABLE BAND				1
67	23630007	TUBE				0.11

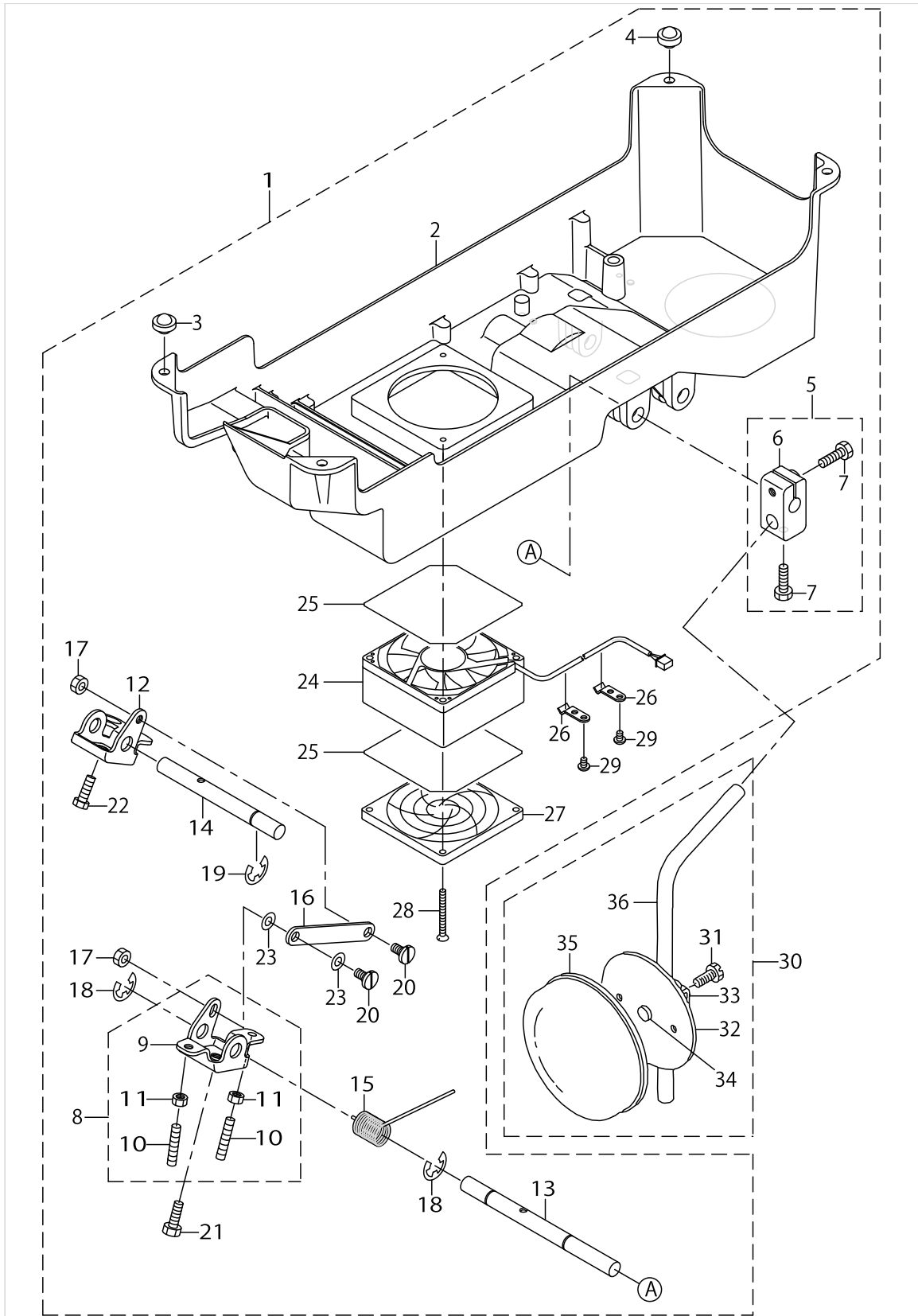
WIPER MECHANISM COMPONENTS(FOR LZ-2290A-SS-7-WB,LZ-2290A-SU-7-WB,LZ-2290A-SR-7-WB)



WIPER MECHANISM COMPONENTS(FOR LZ-2290A-SS-7-WB,LZ-2290A-SU-7-WB,LZ-2290A-SR-7-WB)

No.	Parts No.	Parts name	Remarks	Level	Cons	Qty
1	22561757	WIPER ASM.				1
2	22561856	WIPER BASE ASM.		*		1
3	22561807	WIPER BASE		*		1
4	10208601	WIPER LINK 1		*		1
5	D2107490D00	PIN		*		2
6	RE0320000K0	E-RING 3.2		*		2
7	22561955	WIPER LINK COMPL.		*		1
8	10208858	WIPER LINK ASM. 2		*		1
9	22561906	WIPER LINK		*		1
10	D2107490D00	PIN		*		1
11	10208700	WIPER LINK SHAFT		*		1
12	WP0371016SD	WASHER 3.7X8X1		*		2
13	SS3090520SP	SCREW 9/64-40 L=4.5		*		2
14	22561708	WIPER		*		1
15	40003653	WIPER SOLENOID ASM.				1
16	22562102	WIPER BASE		*		1
17	40106937	WIPER SOLENOID ASM.		*		1
18	22955900	WIPER RUBBER A		*		1
19	22956007	WIPER RUBBER B		*		1
20	22562201	WIPER LINK		*		1
21	22956205	WIPER HINGE SCREW COLLAR		*		1
22	22956304	WIPER SPRING		*		1
23	22955504	WIPER COVER		*		1
24	SL4030631SC	SCREW M3X6		*		1
25	HA00600000A	SWITCH		*		1
26	22957203	WIPER LINK COLLAR		*		1
27	SD0500481TP	HINGE SCREW D=5 H=4.8		*		1
28	22957104	WIPER SOLENOID SHAFT		*		1
29	NS6110310SP	NUT 11/64-40		*		1
30	SD0650321TP	HINGE SCREW D=6.5 H=3.2		*		1
31	SL4030641SE	SCREW		*		4
32	MAO91003000	BSW PRESSER PLATE WASHER				2
33	NS6110310SP	NUT 11/64-40				1
34	SD0600271SP	HINGE SCREW D=6 H=2.7				1
35	SS4120615SP	SCREW 3/16-28 L=6				2

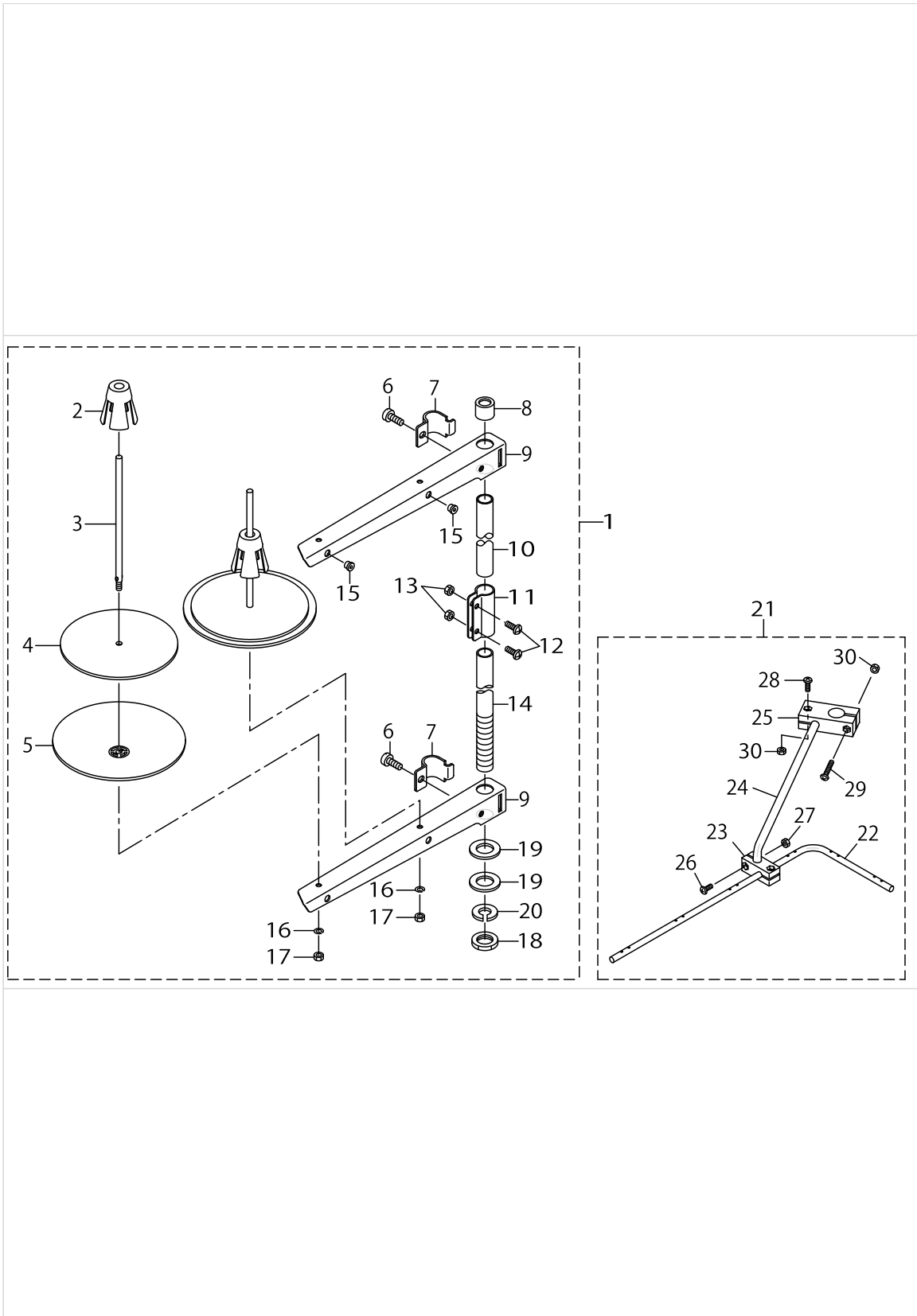
UNDER COVER COMPONENTS



UNDER COVER COMPONENTS

No.	Parts No.	Parts name	Remarks	Level	Cons	Qty
1	40003603	UNDER COVER ASM.				1
2	40003604	UNDER COVER		*		1
3	11047107	RUBBER CUSHION		*		2
4	10162600	RUBBER CUSHION		*		2
5	22932453	BRACKET ASM.		*		1
6	22932404	BRACKET		*		1
7	SM9062053SR	SCREW M6 L=20		*		2
8	40003606	KNEE LIFTER ROTATING ARM ASM.		*		1
9	23639107	BRACKET		*		1
10	SM8063012TR	SCREW M6 L=30		*		2
11	NM6060001SE	NUT M6		*		2
12	23639206	CONNECTING ROT		*		1
13	23639305	KNEE PRESS ROD		*		1
14	23639404	SHAFT		*		1
15	23639503	SPRING		*		1
16	23639602	CONNECTING ROD		*		1
17	NS6150310SP	NUT 15/64-28		*		2
18	RE1000000K0	E-RING 10		*		2
19	RE1000000K0	E-RING 10		*		1
20	SD0720331SP	HINGE SCREW D=7.24 H=3.3		*		2
21	SM9061853SR	SCREW M6 L=17.5		*		1
22	SM9061853SR	SCREW M6 L=17.5		*		1
23	WP0650876SD	WASHER 6.5X13X0.8		*		2
24	40003605	COOLING FAN		*		1
25	40003607	FILTER		*		2
26	22944508	WIRE PRESSER A		*		2
27	HM000860010	FAN FILTER		*		1
28	SM1044050SM	SCREW M4X0.7 L=40		*		2
29	SM4040601SC	SCREW M4X0.7 L=6		*		2
30	22934251	KNEE PAD PLATE ASM.				1
31	SM9061203SE	SCREW M6 L=12		*		1
32	22934202	KNEE PAD PLATE		*		1
33	22934301	KNEE PAD PLATE SUPPORT		*		1
34	22934400	KNEE PAD PLATE RUBBER		*		1
35	22934509	KNEE PAD PLATE COVER		*		1
36	22934608	KNEE PAD UPRIGHT SHAFT		*		1

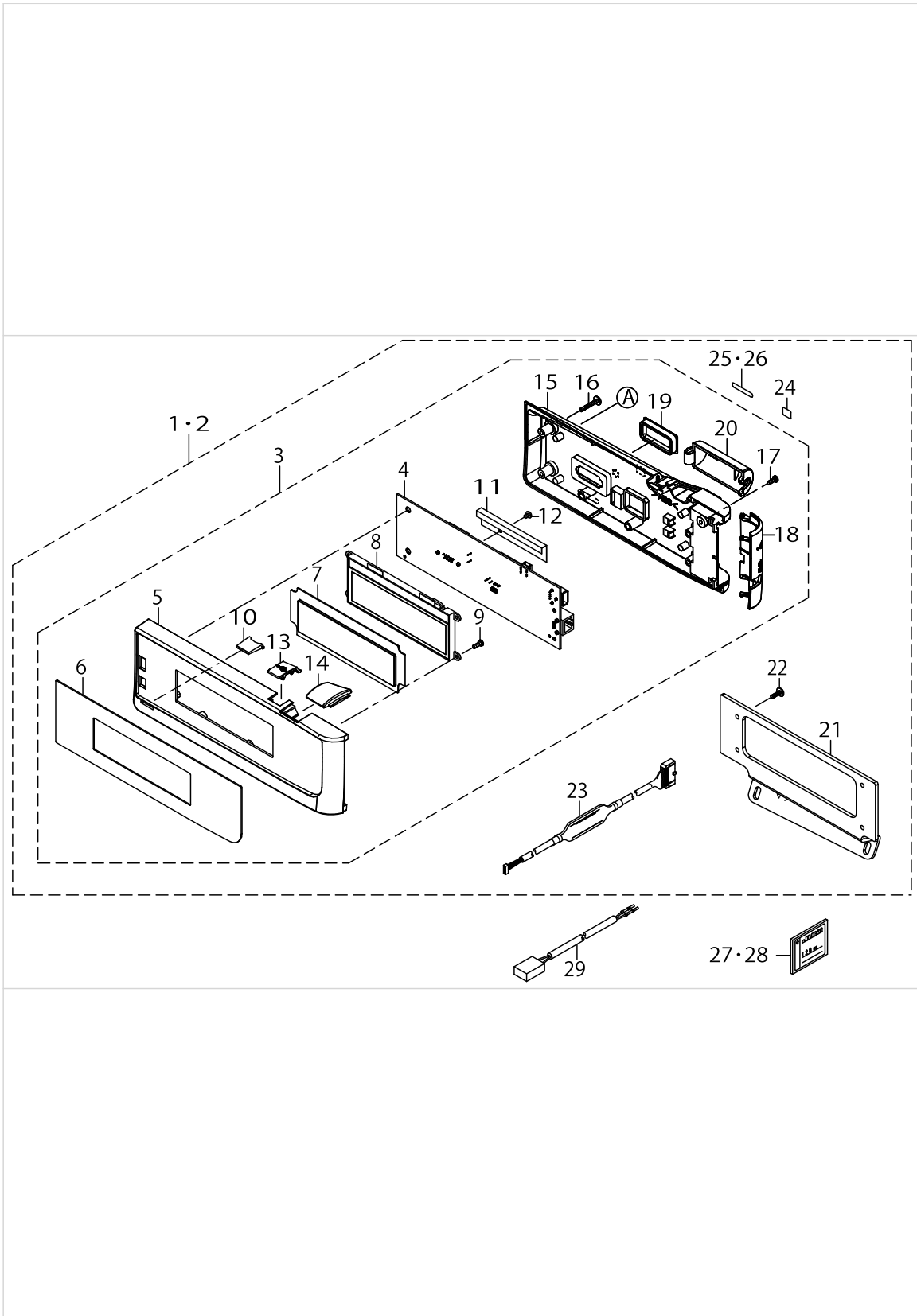
THREAD STAND COMPONENTS



THREAD STAND COMPONENTS

No.	Parts No.	Parts name	Remarks	Level	Cons	Qty
1	22930358	THREAD STAND ASM.				1
2	22931109	SPOOL RETAINER		*		2
3	22931000	SPOOL PIN		*		2
4	22930903	SPOOL REST CUSHION		*		2
5	22930804	SPOOL REST		*		2
6	SM6061610SC	SCREW M6 L=16		*		2
7	22930705	THREAD GUIDE ARM JOINT		*		2
8	22931406	SPOOL REST ROD RUBBER CAP		*		1
9	22930507	SPOOL REST ARM		*		2
10	22930408	SPOOL REST ROD UPPER		*		1
11	22931307	SPOOL REST ROD JOINT		*		1
12	SM4051405SE	SCREW M5 L=14		*		2
13	NM6050001SE	NUT M5		*		2
14	22930309	SPOOL REST ROD LOWER		*		1
15	22931208	THREAD GUIDE		*		2
16	WS0510002KN	SPRING WASHER		*		2
17	NM6050001SE	NUT M5		*		2
18	NM6160511SE	NUT M16X1.5		*		1
19	WP1702600S0	WASHER 17X30X2.6		*		2
20	WS1643202KR	SPRING WASHER		*		1
21	26910059	THREAD GUIDE ARM ASM.				1
22	40106583	THREAD GUIDE 6		*		1
23	40106580	THREAD GUIDE UNDER BASE		*		1
24	40106576	THREAD GUIDE ARM		*		1
25	40106579	THREAD GUIDE ARM BASE		*		1
26	SM4041201SC	SCREW.M4X0.7_L=12		*		2
27	NM6040002SE	NUT M4X0.7		*		2
28	SM4041201SC	SCREW.M4X0.7_L=12		*		1
29	SM4042501SC	SCREW M4X0.7 L=25		*		1
30	NM6040002SE	NUT M4X0.7		*		2

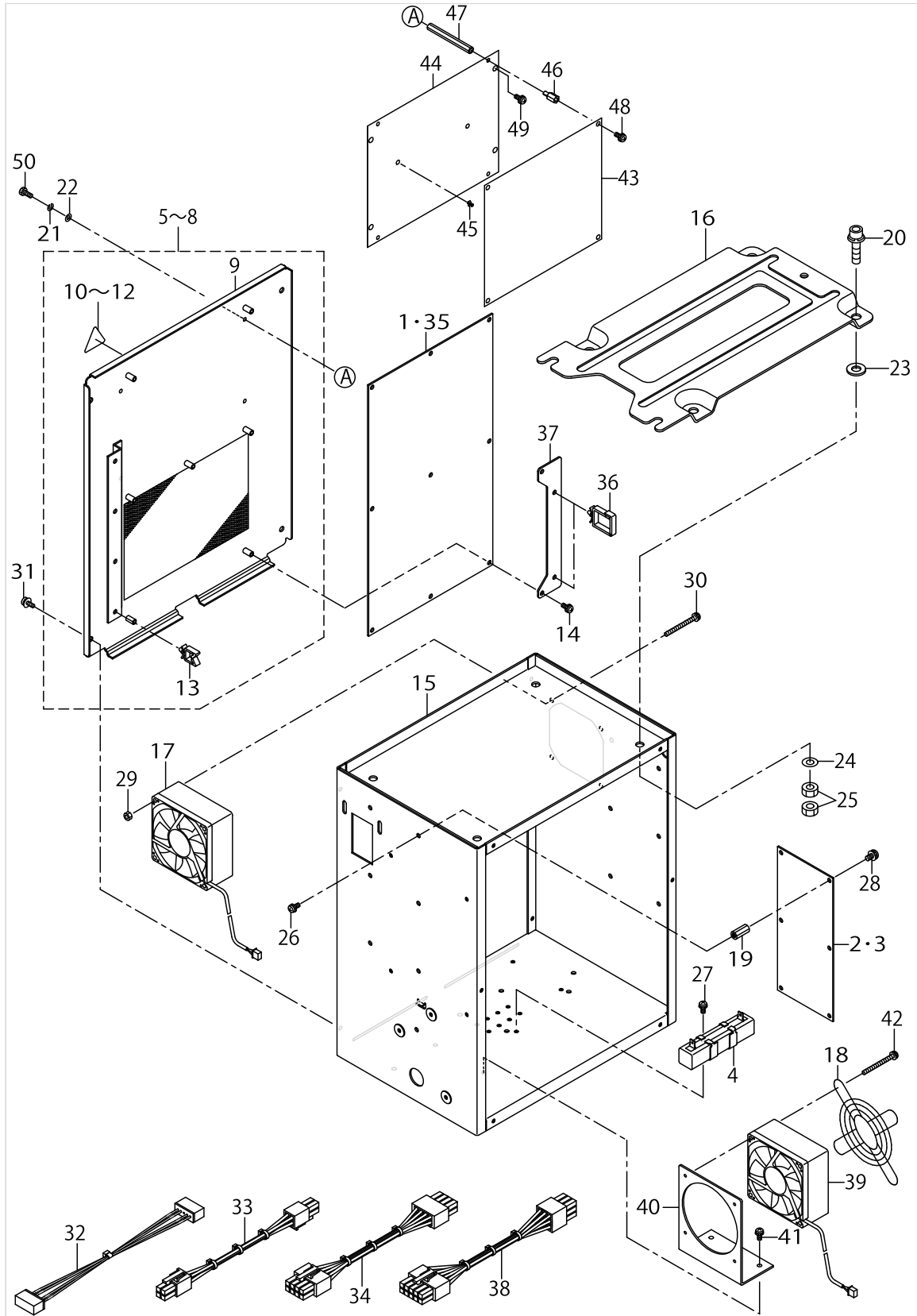
IT-110 PANEL COMPONENTS



IT-110 PANEL COMPONENTS

No.	Parts No.	Parts name	Remarks	Level	Cons	Qty
1	40122922	PANEL_D_ASSY	FOR SC-915			1
2	40122923	PANEL_E_ASSY	FOR SC-916			1
3	40108879	PANEL_ASSY		*		1
4	40108880	PANEL_PCB_ASSY		*		1
5	40105708	FRONT_PANEL		*		1
6	40106354	MEMBRANE SWITCH		*		1
7	40105715	LCD_COVER		*		1
8	40105720	LCD_MODULE		*		1
9	ST4030851SN	SCREW		*		4
10	40105717	ONLINE_INDICATOR		*		1
11	40109555	METAL_FOIL_SHEET		*		1
12	SM4030401SN	SCREW M3 L=4		*		1
13	40105714	CONNECTOR_COVER_B		*		1
14	40105716	POWER_INDICATOR		*		1
15	40105707	BACK_PANEL		*		1
16	SV4032001SN	SCREW		*		4
17	ST4030851SN	SCREW		*		1
18	40105713	CONNECTOR_COVER_A		*		1
19	40005848	D-SUB 9P COVER		*		1
20	40105188	CORD_EXIT_COVER		*		1
21	40123001	PANEL_BRACKET		*		1
22	SV4031001SN	SCREW		*		4
23	40119704	CONVERTER_CABLE_ASSY		*		1
24	CM500100003	CE LABEL		*		1
25	40115767	TYPE LABEL D0C		*		1
26	40024479	TYPE LABEL E0A		*		1
27	40055293	CF TYPE-A	FOR SC-915 OPTIONAL PARTS			1
28	40055295	CF TYPE-D	FOR SC-916 OPTIONAL PARTS			1
29	40008168	OP SWITCH CABLE A ASSY				1

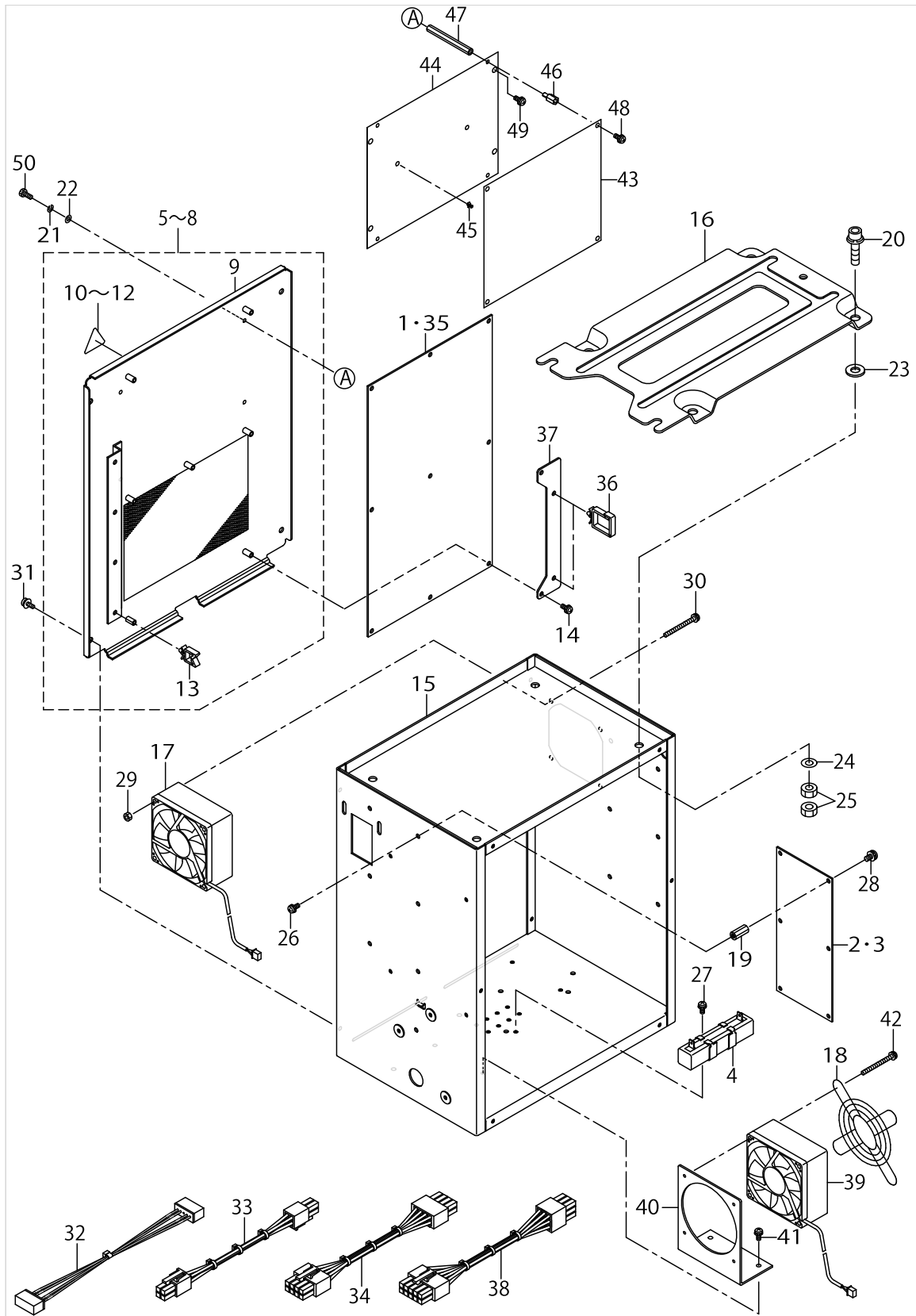
SC-915/SC-916 TRANSMISSION COMPONENTS (1)



SC-915/SC-916 TRANSMISSION COMPONENTS (1)

No.	Parts No.	Parts name	Remarks	Level	Cons	Qty
1	40005951	CTL PCB A ASM.	FOR SC-915			1
2	40000056	FLT-T PCB A ASS'Y	FOR USE IN JAPAN/JUS/EXPORT (3-PHASE)			1
3	40000046	FLT-S PCB A ASS'Y	FOR EXPORT(1-PHASE)/CE			1
4	40005979	REGENERATIVE RESISTANCE A ASM.				1
5	40006000	REAR COVER A ASM.	FOR SC-915 USE IN JAPAN/J- US/EXPORT (3-PHASE)			1
6	40006001	REAR COVER 200V 1-PHASE ASM.	FOR SC-915 EXPORT(1-PHASE)/CE			1
7	40012697	REAR COVER A ASSY	FOR SC-916 USE IN JAPAN/J- US/EXPORT (3-PHASE)			1
8	40012698	REAR COVER B ASSY	FOR SC-916 EXPORT(1-PHASE)/CE			1
9	40015548	REAR COVER		*		1
10	CM300100401	LABEL 3 (LARGE)	FOR USE IN JAPAN/JUS/EXPORT (3-PHASE)	*		1
11	CM300100003	VOLTAGE WARNING LABEL(25)	FOR EXPORT(1-PHASE)/CE	*		1
12	CM300400601	VOLTAGE CAUTION LABEL	FOR EXPORT(1-PHASE)/CE	*		1
13	HX00222000B	CABLE CLAMP		*		1
14	SL4040881SC	SCREW M4 L=8				7
15	40003451	CONTROL BOX				1
16	M3801476000	TRANSMISSION BOX FITTING PLATE				1
17	40154492	FAN ASSY				1
18	HM000480010	FINGER GUARD				1
19	HX00337000B	SPACER				6
20	SL6083092TN	SCREW				4
21	WS0410002KN	SPRING WASHER	FOR SC-916			4
22	WP0430801SC	WASHER 4.3X9X0.8	FOR SC-916			4
23	M4206461000	WASHER				4
24	WP0841601SC	WASHER 8.4X17.4X1.6				4
25	NM6080001SC	NUT M8X1.25				8
26	SL4040891SC	SCREW M4 L=8				6
27	SL4040891SC	SCREW M4 L=8				1
28	SL4040881SC	SCREW M4 L=8				1
29	NM3040520SF	FLANGE NUT M4				4
30	SL4044091SE	SCREW M4 L=40				4
31	SL4040891SC	SCREW M4 L=8				4
32	40005987	PDD RELAY CORD A ASM.				1
33	40005985	DC85 VOLT CORD A ASM.				1
34	40005986	DC33 VOLT CORD A ASM.				1
35	40016451	CTL PCB A ASSY	FOR SC-916			1
36	HX005110000	WIRE SADDLE				2
37	40006003	CTL CLAMP HOLDER PLATE				1
38	40015544	BTPM POWER CABLE ASSY	FOR SC-916			1
39	40154493	FAN ASSY	FOR SC-916			1
40	40005404	FAN MOTOR BRACKET	FOR SC-916			1
41	SL4040891SC	SCREW M4 L=8	FOR SC-916			2
42	SL4033091SC	SCREW M3 L=30	FOR SC-916			4
43	40013881	BTPM PCB A ASSY	FOR SC-916			1
44	40013864	BTPM PCB HOLDER BOARD	FOR SC-916			1
45	HX00147000C	SPACER	FOR SC-916			2
46	HX003390000	STUD	FOR SC-916			4

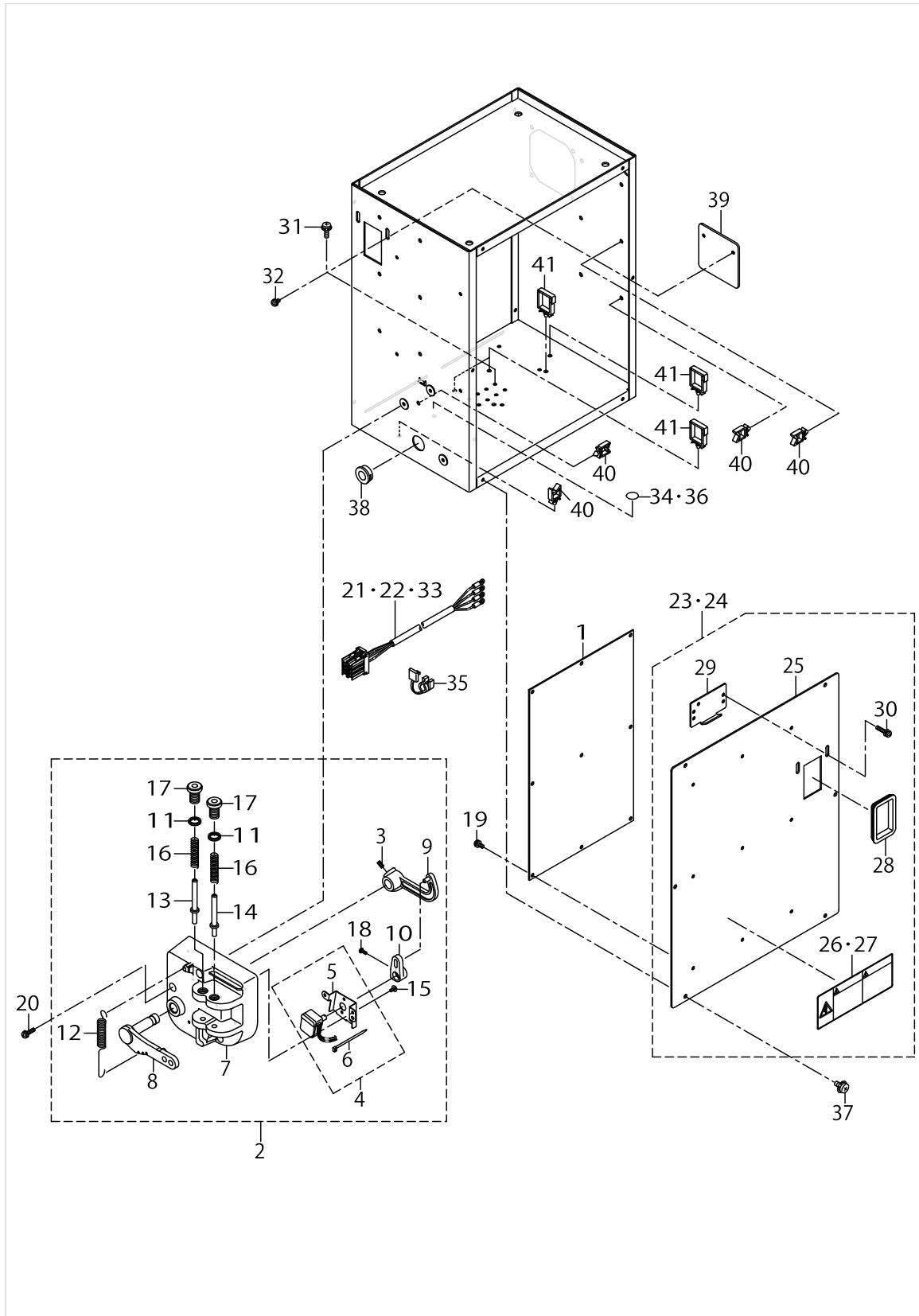
SC-915/SC-916 TRANSMISSION COMPONENTS (1)



SC-915/SC-916 TRANSMISSION COMPONENTS (1)

No.	Parts No.	Parts name	Remarks	Level	Cons	Qty
47	HX005940000	SPACER	FOR SC-916			4
48	SL4040881SC	SCREW M4 L=8	FOR SC-916			4
49	SL4040891SC	SCREW M4 L=8	FOR SC-916			4
50	SM9041050SC	SCREW M4X0.7 L=10	FOR SC-916			4

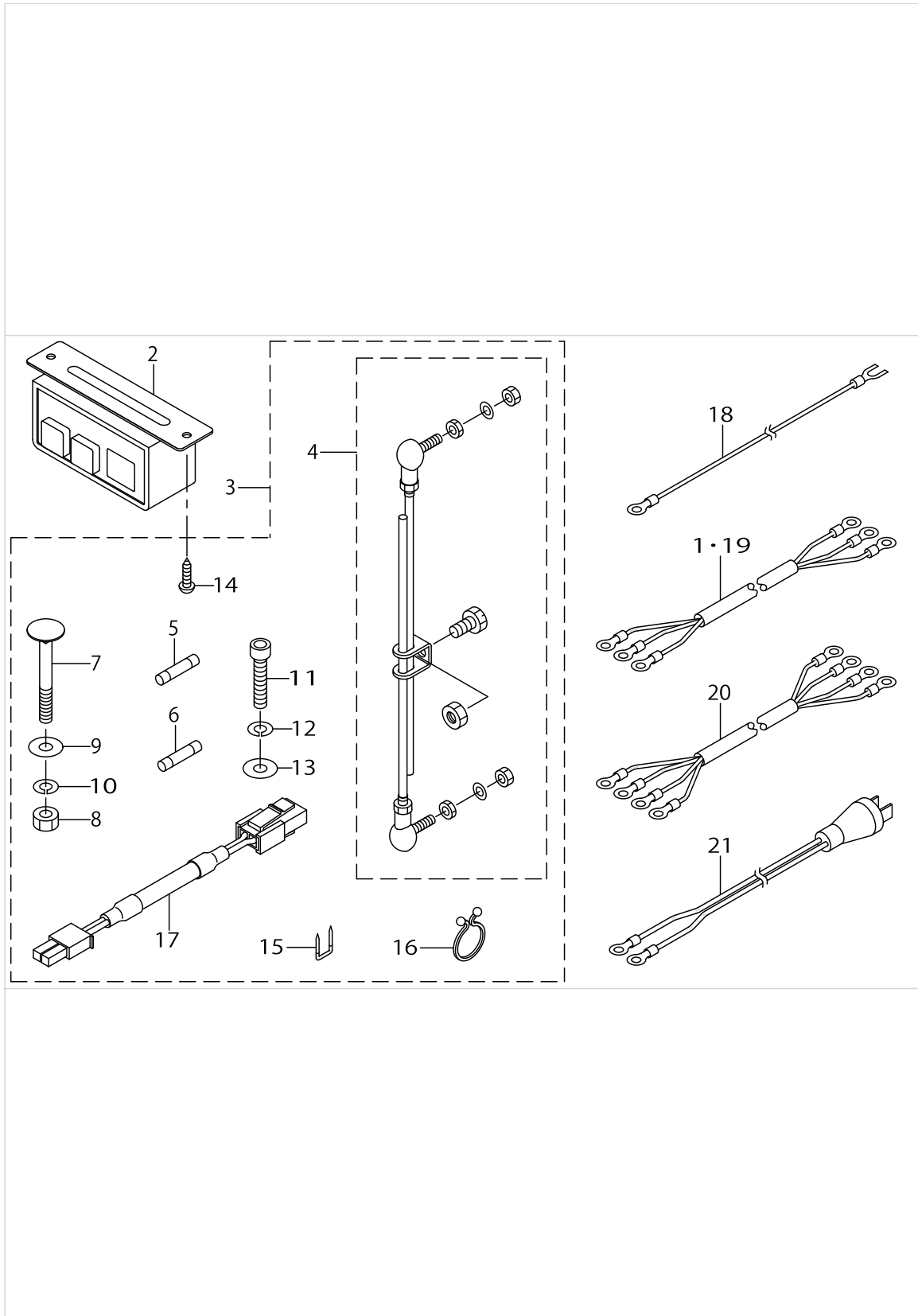
SC-915/SC-916 TRANSMISSION COMPONENTS (2)



SC-915/SC-916 TRANSMISSION COMPONENTS (2)

No.	Parts No.	Parts name	Remarks	Level	Cons	Qty
1	40006021	PWR CIRCUIT BOARD A ASM.	FOR SC-916(FROM REV.03)			1
2	40005980	PEDAL SENSOR UNIT A ASM.				1
3	SM8040802TP	SCREW M4X8		*		2
4	40005981	SENSOR FITTING PLATE A ASM.		*		1
5	M4006461000	SENSOR INSTALLING PLATE		*		1
6	EA9500B0100	CABLE BAND		*		1
7	M4001461000	PEDAL SENSOR BASE		*		1
8	M4002461000	PEDAL LEVER		*		1
9	M4004461000	PEDAL RING		*		1
10	M4005461000	VOLUME LINK		*		1
11	M2010110000	ADJUST NUT		*		2
12	M4007351000	FRONT SPRING		*		1
13	M4008351000A	SPRING SHAFT A		*		1
14	M4009351000A	SPRING SHAFT B		*		1
15	SV4030601SR	SCREW M3 L=6		*		2
16	M4011351000	SPRING B		*		2
17	M4012351000	ADJUST SCREW		*		2
18	SM4030801SF	SCREW M3X0.5 L=8		*		1
19	SL4040881SC	SCREW M4 L=8				9
20	SL4041681SF	SCREW M4 L=16				3
21	40005975	AC INPUT 3-PHASE CORD A ASM.	FOR USE IN JAPAN/JUS/EXPORT (3-PHASE)			1
22	40005976	AC INPUT 1-PHASE CORD A ASM.	FOR EXPORT(1-PHASE)			1
23	40005990	FRONT COVER A ASM.	FOR USE IN JAPAN/JUS/EXPORT (3-PHASE)			1
24	40005992	FRONT COVER 200V 1-PHASE ASM.	FOR EXPORT(1-PHASE)/CE			1
25	40005991	TRANSMISSION BOX FRONT COVER		*		1
26	CM300100003	VOLTAGE WARNING LABEL(25)	FOR EXPORT(1-PHASE)/CE	*		1
27	CM300100401	LABEL 3 (LARGE)	FOR USE IN JAPAN/JUS/EXPORT (3-PHASE)	*		1
28	HX004070000	BUSH		*		1
29	17845009	CORD FITTING PLATE		*		1
30	SL4042091SC	SCREW M4X0.7 L=20		*		2
31	SL4041091SE	SCREW M4 L=10				3
32	SL4040891SC	SCREW M4 L=8				2
33	40005977	AC INPUT 1-PHASE CORD CE ASM.	FOR CE			1
34	CM200100001	PE MARK LABEL	FOR CE			1
35	HX00410000A	STRAIN RELIEF BUSHING				1
36	E9567319000	EARTH MARK	EXCEPT CE			1
37	SL4040891SC	SCREW M4 L=8				6
38	HX00188000D	BUSH				1
39	40006002	BOX HORIZONTAL COVER				1
40	HX00222000A	CABLE CLAMP				4
41	HX005110000	WIRE SADDLE				4

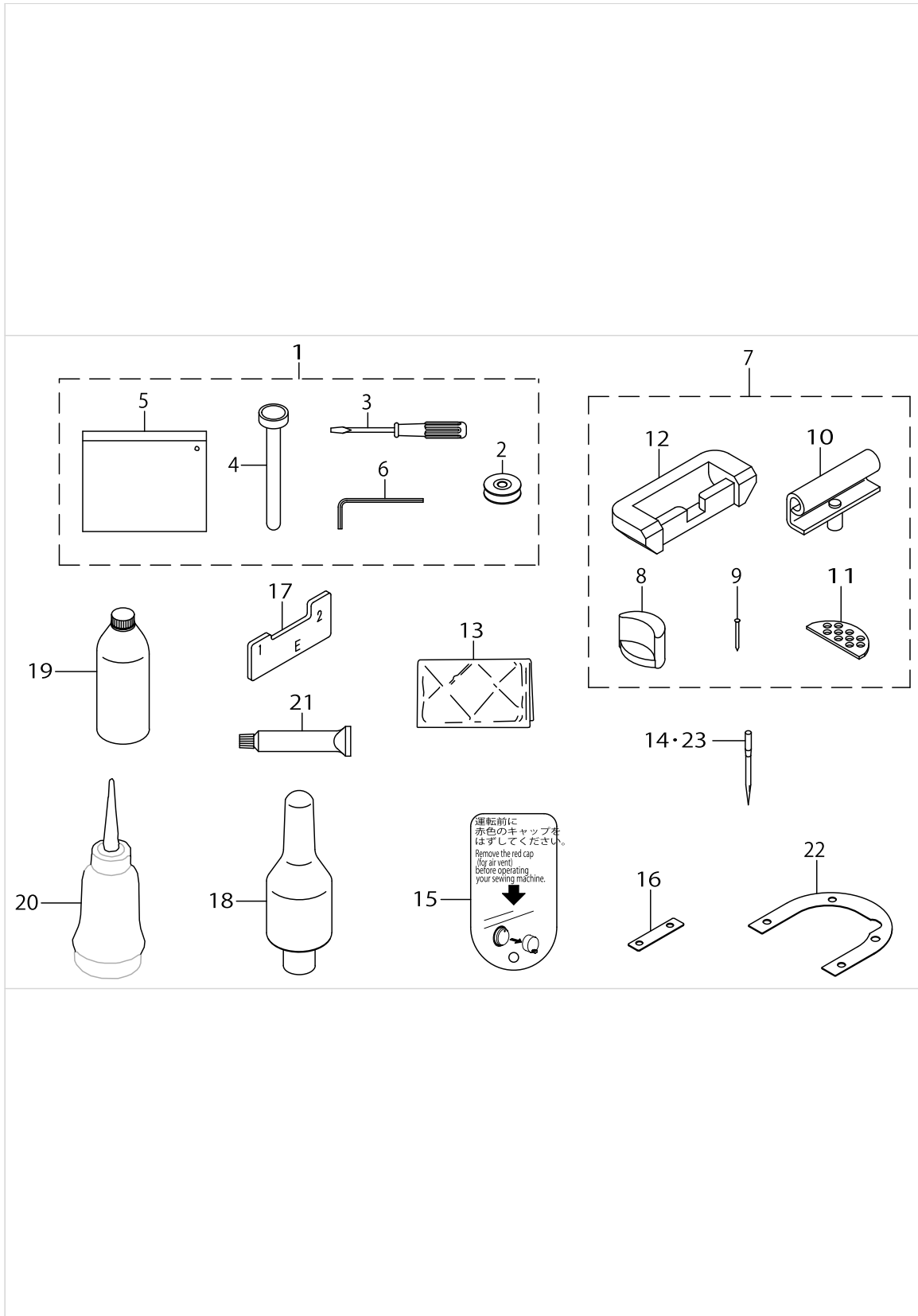
SC-915/SC-916 ACCESSORIE PARTS COMPONENTS



SC-915/SC-916 ACCESSORIE PARTS COMPONENTS

No.	Parts No.	Parts name	Remarks	Level	Cons	Qty
1	40005390	POWER CABLE JE ASM.	FOR CE			1
2	40113427	POWER SWITCH	EXCEPT CE			1
3	40006010	BOX ACCESSORIE PART A ASM.				1
4	22958458	CONNECTING ROD ASM. B		*		1
5	HF001301000	TIMING LAG FUSE 10A		*		1
6	HF0078020P0	FUSE 2A		*		1
7	MTSHJ100003	BOLT		*		2
8	NM6080002SC	NUT M8		*		2
9	WP0852086SC	WASHER M8		*		2
10	WS0820002KR	SPRING WASHER M8		*		2
11	SM6084002TN	SCREW M8 L=40		*		1
12	WS0820002KR	SPRING WASHER M8		*		1
13	WP0841601SC	WASHER 8.4X17.4X1.6		*		1
14	SK3512001SE	WOOD SCREW D=5.1 L=20		*		2
15	MAO11532000	CORD STAPLE		*		5
16	HX005100000	OMEGALOCK		*		1
17	40005988	HEAD FAN RELAY CORD A ASM.		*		1
18	M90345800A0	GROUND CORD ASM.	FOR 1-PHASE(USE IN JAPAN/JUS)			1
19	M90245800A0	POWER CABLE ASM. 100V	FOR EXPORT(1-PHASE)			1
20	M90175800A0	POWER CABLE ASM.	FOR 3-PHASE (USE IN JAPAN/JUS/EXPORT)			1
21	M90355800A0	POWER SOURCE CORD ASM.	FOR 1-PHASE(USE IN JAPAN/JUS)			1

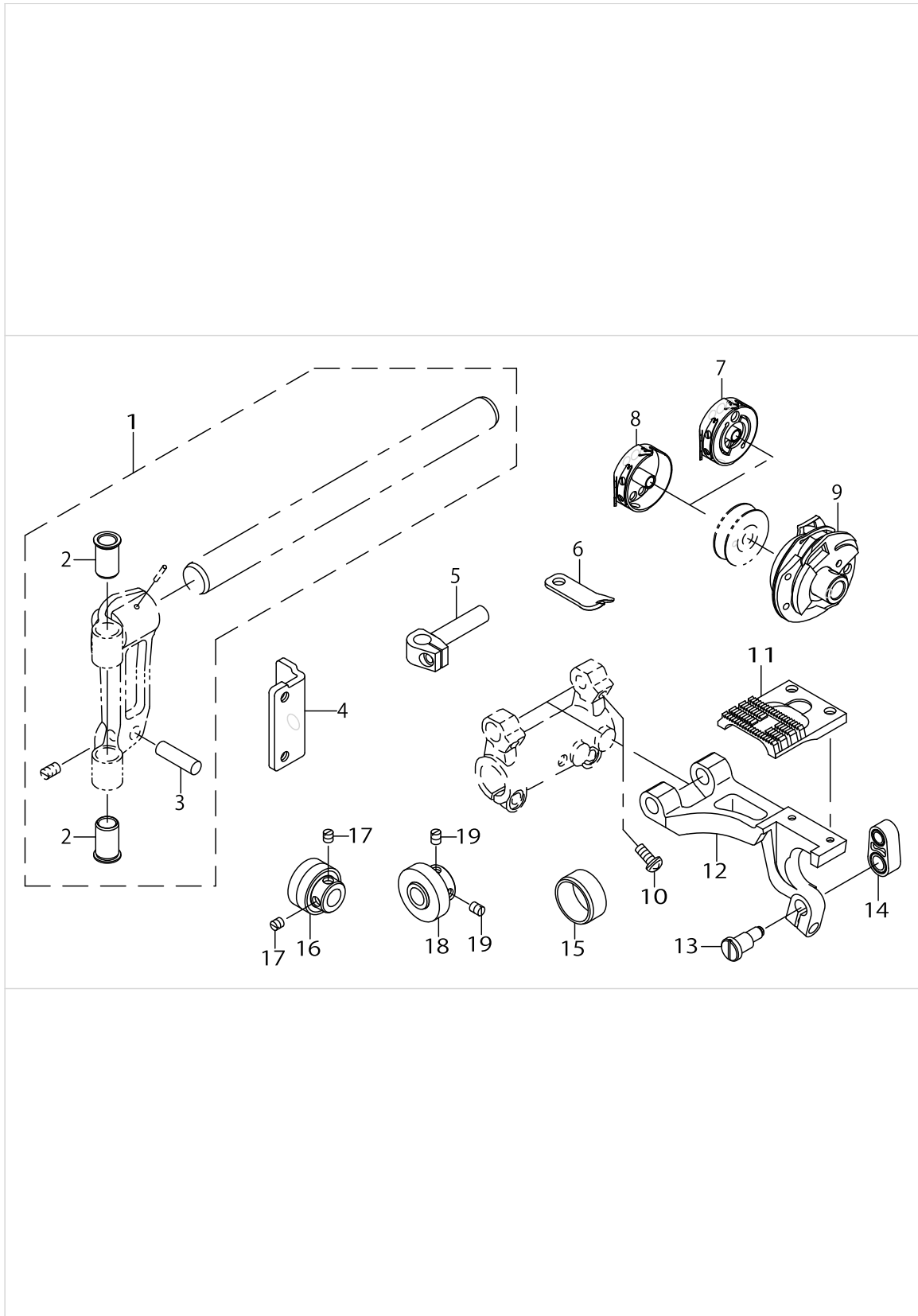
ACCESSORIE PARTS COMPONENTS



ACCESSORIE PARTS COMPONENTS

No.	Parts No.	Parts name	Remarks	Level	Cons	Qty
1	22587174	ACCESSORIE BAG				1
2	22596704	BOBBIN S		*		1
3	22933204	SCREW DRIVER SMALL		*		1
4	23639701	KNEE LIFTER PRESSER ROD		*		1
5	22932800	ACCESSORIE BAG		*		1
6	B9102057000	WRENCH (3/32)		*		1
7	22958052	RUBBER HINGE ASM.	VARIOUS NOS.FOR DESTINATIONS			1
8	22958003	FRAME BUBBER CUSHION		*		2
9	22926208	NAIL		*		8
10	22926356	HINGE COMPL.		*		2
11	22926505	WASHER		*		2
12	22926000	RUBBER CUSHION		*		2
13	26234005	VINYL COVER	VARIOUS NOS.FOR DESTINATIONS			1
14	MDP500B1002	NEEDLE DPX5 #10-2	VARIOUS NOS.FOR DESTINATIONS			1
15	23640006	SHEET				1
16	10025906	SPACER	FOR LZ-2290A-SU-7/ LZ-2290A-DU-7			1
17	22536502	TIMING GAUGE E				1
18	14101208	HEAD SUPPORT BAR				1
19	MDFRX1200C0	NEW DEFRIX OIL NO.1 (200ML)				1
20	B91210120A0	OILER ASM.				1
21	40006323	JUKI GREASE A TUBE				1
22	22503908	SPACER	FOR LZ-2290A-SU-7/ LZ-2290A-DU-7			1
23	MC192300752	NEEDLE 438 #75-2	VARIOUS NOS.FOR DESTINATIONS			1

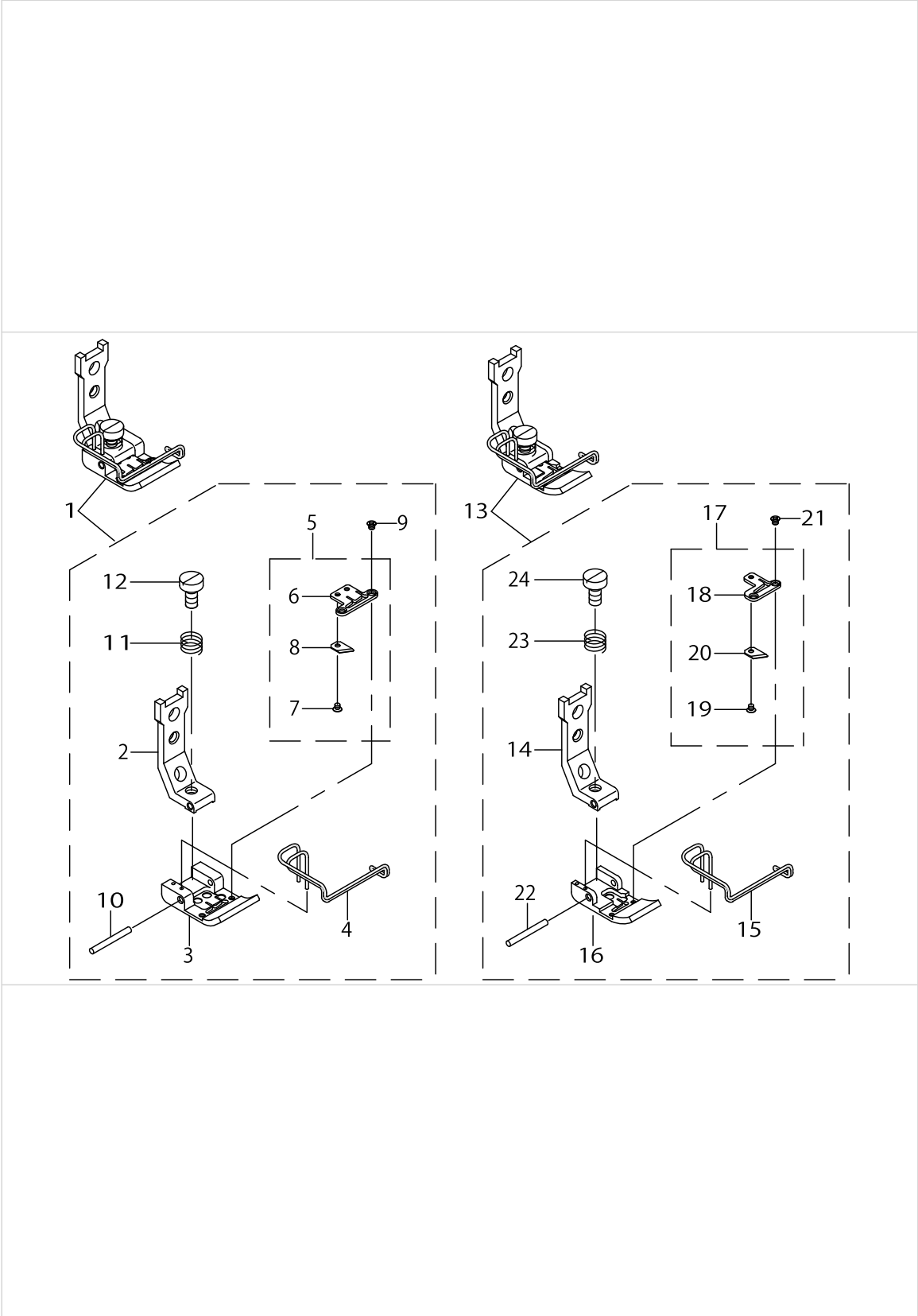
COMMON PARTS FOR LZ-2290A-DS,LZ-2290A-DS-7,LZ-2290A-DU,LZ-2290A-DU-7



COMMON PARTS FOR LZ-2290A-DS,LZ-2290A-DS-7,LZ-2290A-DU,LZ-2290A-DU-7

No.	Parts No.	Parts name	Remarks	Level	Cons	Qty
1	23556053	NEEDLE ROD SUPPORT BASE D ASM.				1
2	23556004	NEEDLE ROD METAL D		*		2
3	23556301	SUPPORT BASE GUIDE SHAFT D		*		1
4	23556202	NEEDLE ROD CRANK ROD GUIDE D				1
5	23556103	NEEDLE ROD HOLDER D				1
6	23558109	INNER HOOK STOPPER D				1
7	40003609	BOBBIN CASE D3 COMPL.				1
8	40003610	BOBBIN CASE D3 ASM.				1
9	23557259	HOOK COMPL. D				1
10	SS4120915SP	SCREW 3/16-28 L=9	FOR LZ-2290A-DS/ LZ-2290A-DS-7			2
11	23558208	FEED D				1
12	23558000	FEED BASE D	FOR LZ-2290A-DS/ LZ-2290A-DS-7			1
13	23558406	VERTICAL FEED LINK SHAFT D	FOR LZ-2290A-DS/ LZ-2290A-DS-7			1
14	40010264	VERTICAL FEED LINK	FOR LZ-2290A-DS/ LZ-2290A-DS-7			1
15	23557101	OIL SEAL COLLAR D				1
16	23557051	BEARING D AMS.				1
17	SS8110410TP	SCREW 11/64-40 L=3.5				2
18	23535255	HOOK SHAFT BEARING ASM.				1
19	SS8110510SP	SCREW 11/64-40 L=5				2

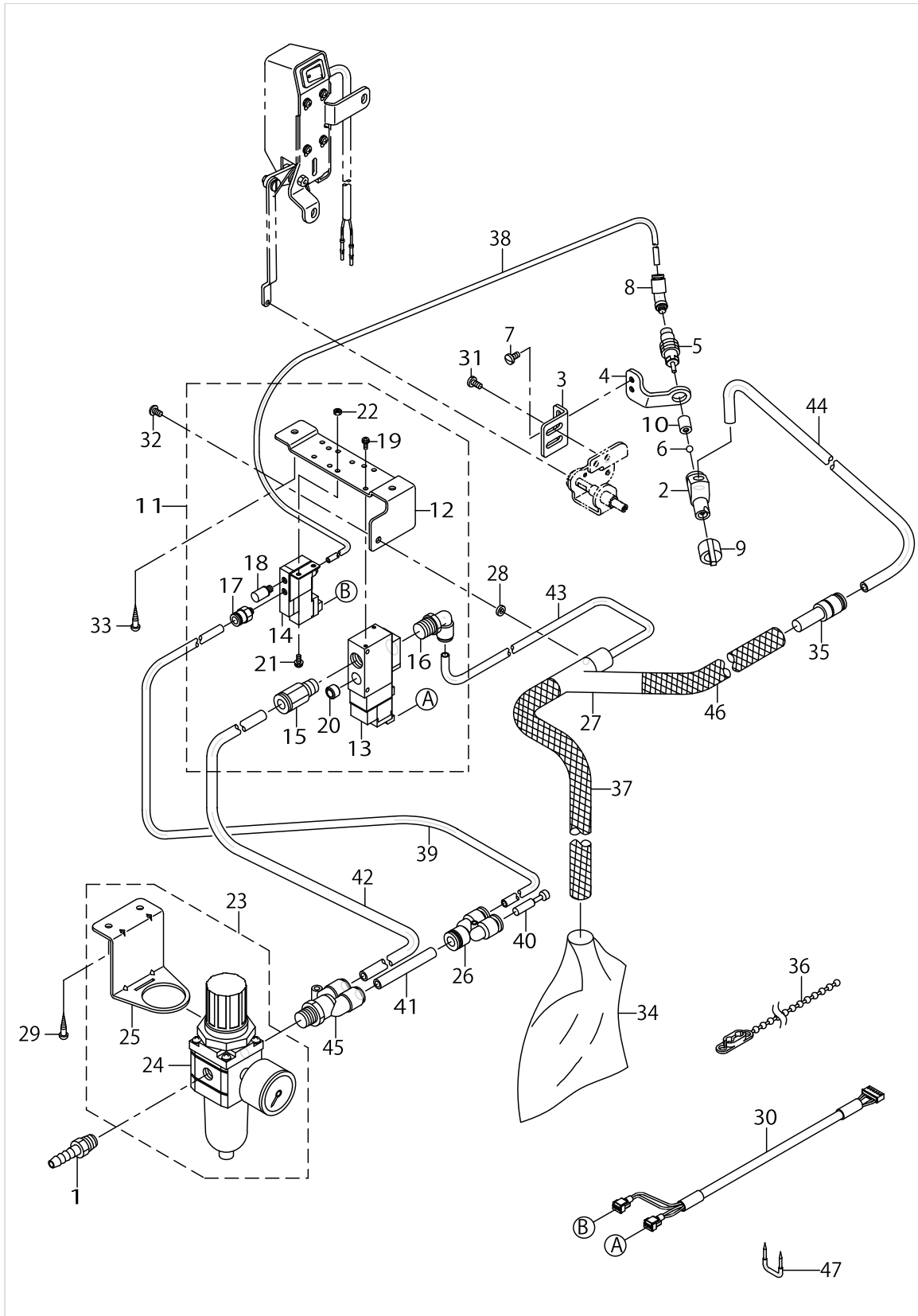
CB TYPE (1) (PRESSER FOOT COMPONENTS)



CB TYPE (1) (PRESSER FOOT COMPONENTS)

No.	Parts No.	Parts name	Remarks	Level	Cons	Qty
1	40003542	WIDE KNIFE PRESSER ASM.				1
2	40003543	PRESSER (UPPER)		*		1
3	40003544	PRESSER (LOWER) WIDE		*		1
4	40003545	FINGER GUARD		*		1
5	40003547	FIXING PLATE (WIDE) COMPL.		*		1
6	40003546	KNIFE FIXING PLATE (WIDE)		*		1
7	40003553	KNIFE STOPPER SCREW		*		2
8	11434206	THREAD CUTTER KNIFE		*		2
9	40003554	STOPPER SCREW		*		2
10	10056109	PRESSER PIN A		*		1
11	B1525582000	SPRING		*		1
12	SS6090810SP	SCREW 9/64-40 L=7.5		*		1
13	40003549	NARROW KNIFE PRESSER ASM.	OPTIONAL PARTS			1
14	40003543	PRESSER (UPPER)		*		1
15	40003545	FINGER GUARD		*		1
16	40003550	PRESSER LOWER (NARROW)		*		1
17	40003552	FIXING PLATE (NARROW) COMPL.		*		1
18	40003551	KNIFE FIXING PLATE (NARROW)		*		1
19	40003553	KNIFE STOPPER SCREW		*		1
20	11434206	THREAD CUTTER KNIFE		*		1
21	40003554	STOPPER SCREW		*		2
22	22547806	PRESSER PIN		*		1
23	B1525582000	SPRING		*		1
24	SS6090810SP	SCREW 9/64-40 L=7.5		*		1

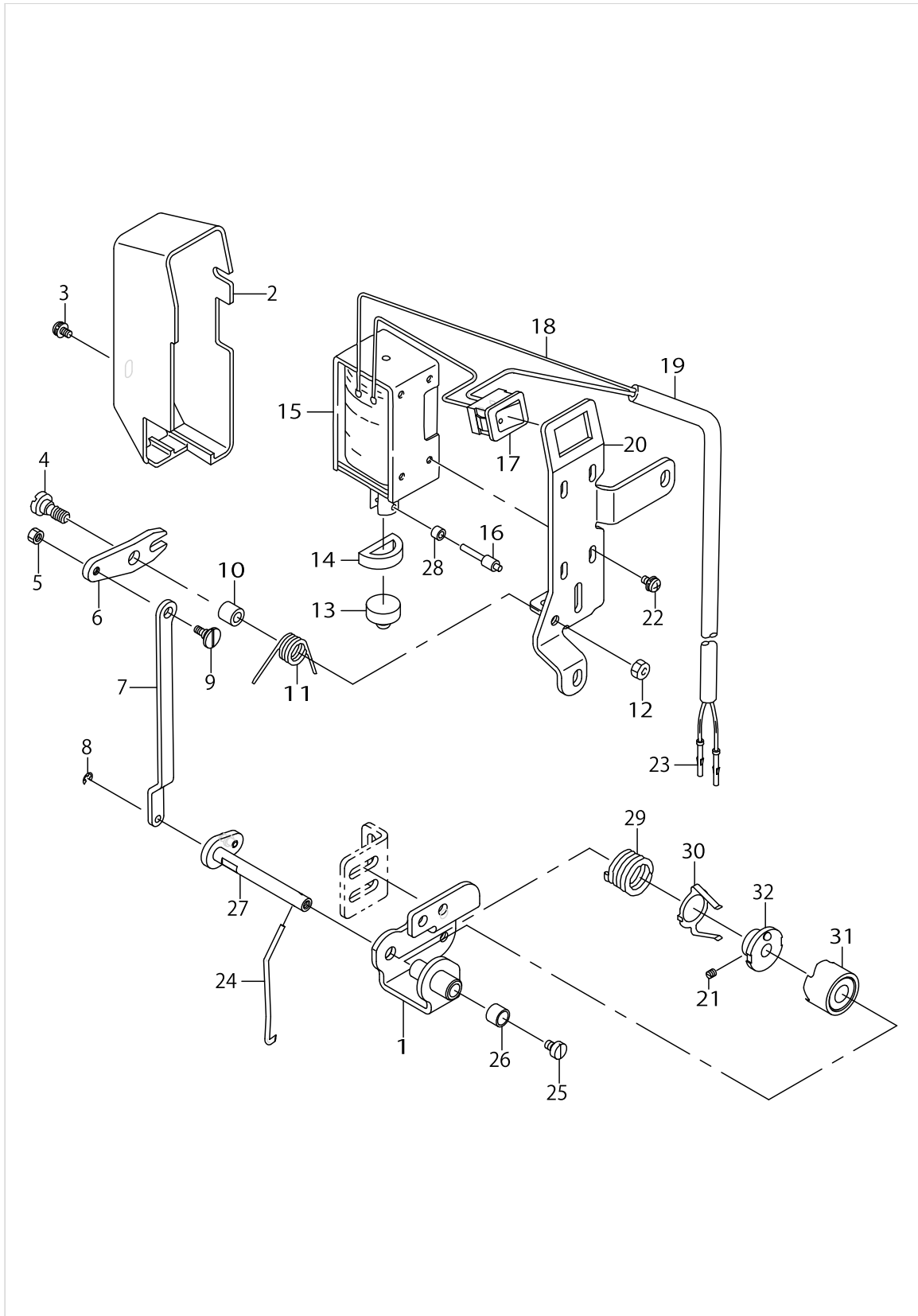
CB TYPE (2) (THREAD HOLDER & AIR COMPONENTS)



CB TYPE (2) (THREAD HOLDER & AIR COMPONENTS)

No.	Parts No.	Parts name	Remarks	Level	Cons	Qty
1	PJ032526001	HOSE NIPPLE				1
2	11429305	CLAMP HEAD				1
3	40003536	CLAMP BASE A				1
4	40003537	CLAMP BASE B				1
5	11429008	CLAMP CYLINDER				1
6	11428505	CLAMP BALL				1
7	SS7110840SP	SCREW 11/64-40 L=7.8				2
8	PJ309040501	ELBOW UNION				1
9	40003538	HEAD COVER				1
10	11427705	HEAD BUSH				1
11	40003562	ELECTROMAGNETIC VALVE COMPL.				1
12	40003565	FITTING PLATE		*		1
13	PV135207000	3-PORT ELECTROMAGNETIC VALVE		*		1
14	PV130539000	3-PORT ELECTROMAGNETIC VALVE		*		1
15	PJ301085201	HALF UNION		*		1
16	PJ304065201	ELBOW UNION 6XPT1/4		*		1
17	PJ301060503	HALF UNION		*		1
18	PX050501000	SILENCER		*		1
19	SL4850891SC	SCREW M2.5 L=8		*		2
20	PJ025100002	PLUG R1/8		*		1
21	SL4030891SC	SCREW M3X8		*		2
22	NM6030001SC	NUT M3		*		2
23	40003560	REGULATOR ASM.				1
24	PF0152030A0	FILTER REGULATOR		*		1
25	PF902005000	REGULATOR BRACKET		*		1
26	PJ308080001	UNION Y				1
27	F10120030A0	NOZZLE ASM.				1
28	B1155771000	CUSHION				1
29	SK3412000SC	WOOD SCREW D=4.1 L=20				2
30	40003564	CORD ASM.				1
31	SS7110840SP	SCREW 11/64-40 L=7.8				2
32	SS4110715SP	SCREW 11/64-40 L=7				1
33	SK3412000SC	WOOD SCREW D=4.1 L=20				2
34	11428802	DUST BAG				1
35	PJ301080001	REDUCER				1
36	HX002890000	BEADE BAND				1
37	BT1601001Z0	TUBE				0.4
38	BT0400251EB	URETHANE HOSE BLACK				1.5
39	BT0600401EB	TUBE				0.14
40	PX950009000	PLUG				1
41	BT0800501EB	VINYL TUBE				0.06
42	BT0800501EB	VINYL TUBE				0.3
43	BT0600401EB	TUBE				0.13
44	BT0800501EB	VINYL TUBE				1.3
45	PJ308085202	UNION Y				1
46	BT1601001Z0	TUBE				0.15
47	D8204555D00	DRAWER STOPPER				2

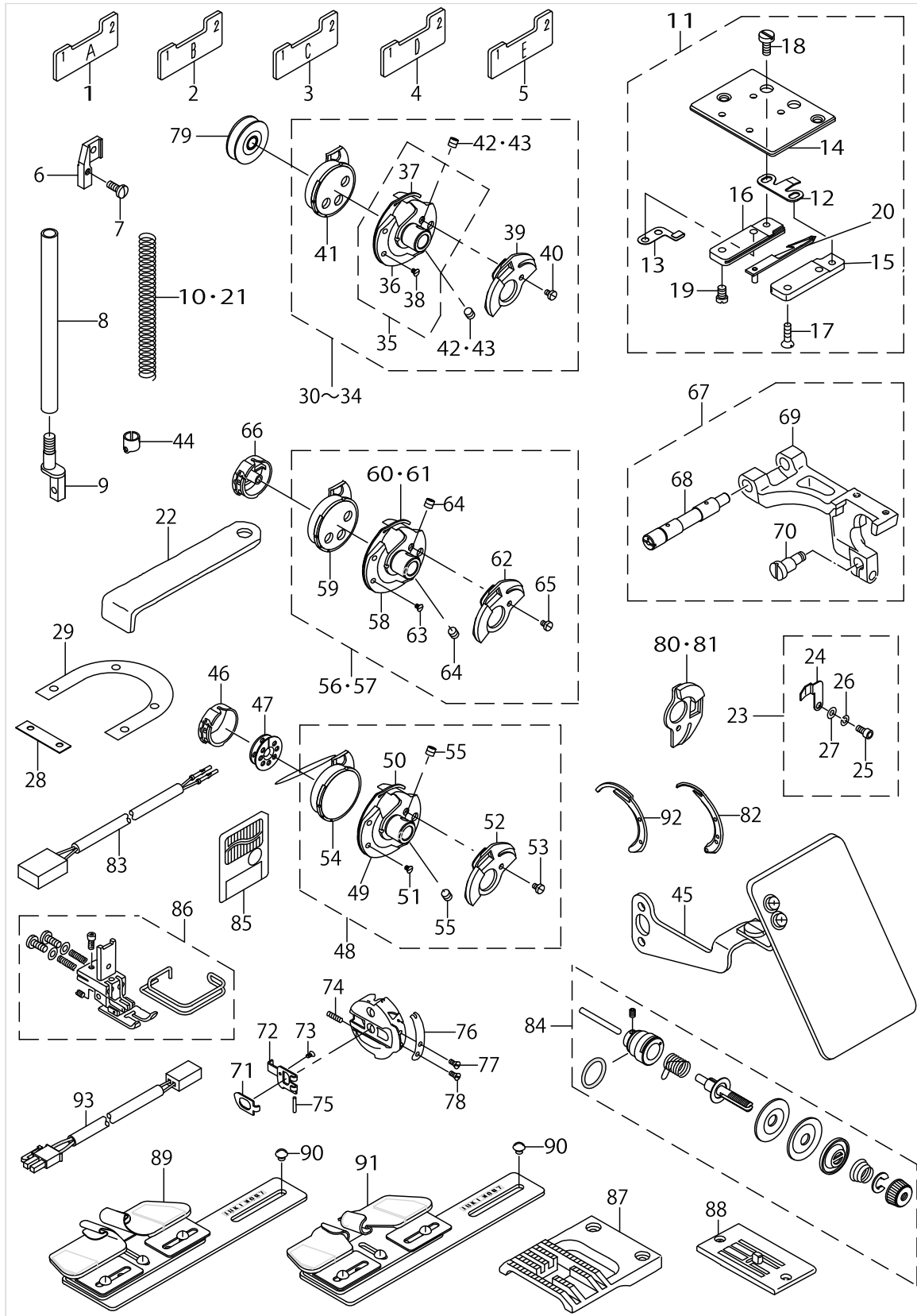
CB TYPE (3) (WIPER MECHANISM COMPONENTS)



CB TYPE (3) (WIPER MECHANISM COMPONENTS)

No.	Parts No.	Parts name	Remarks	Level	Cons	Qty
1	40003534	WIPER FITTING BASE ASM.				1
2	11425907	WIPER COVER				1
3	SL4030631SC	SCREW M3X6				1
4	SD0650321TP	HINGE SCREW D=6.5 H=3.2				1
5	NS6090310SP	NUT 9/64-40				1
6	22956106	WIPER LINK A				1
7	40003529	WIPER LINK B				1
8	RE0250000K0	E-RING 2.5				1
9	22956908	WIPER LINK B HINGE SCREW				1
10	22956205	WIPER HINGE SCREW COLLAR				1
11	22956304	WIPER SPRING				1
12	NS6110310SP	NUT 11/64-40				1
13	22955900	WIPER RUBBER A				1
14	22956007	WIPER RUBBER B				1
15	40106937	WIPER SOLENOID ASM.				1
16	22957104	WIPER SOLENOID SHAFT				1
17	HA00600000A	SWITCH				1
18	HW200390000	ELECTRIC WIRE				0.04
19	HW5F18S1228	TWO-CORE CORD				1.7
20	40003528	WIPER BASE				1
21	SS8080310TP	SCREW 1/8-44 L=2.8				2
22	SL4030641SE	SCREW				4
23	HK03464000B	PIN CONTACT				2
24	40003539	WIPER				1
25	SS6090540SP	SCREW 9/64-40 L=5.0				1
26	22956809	WIPER COLLAR				1
27	40003540	WIPER SHAFT ASM.				1
28	22957203	WIPER LINK COLLAR				1
29	11429107	SLIDE SPRING				1
30	11422706	STOPPER SPRING B				1
31	40003530	RATCHET COMPL.				1
32	11425451	FOLLOWER ASM.				1

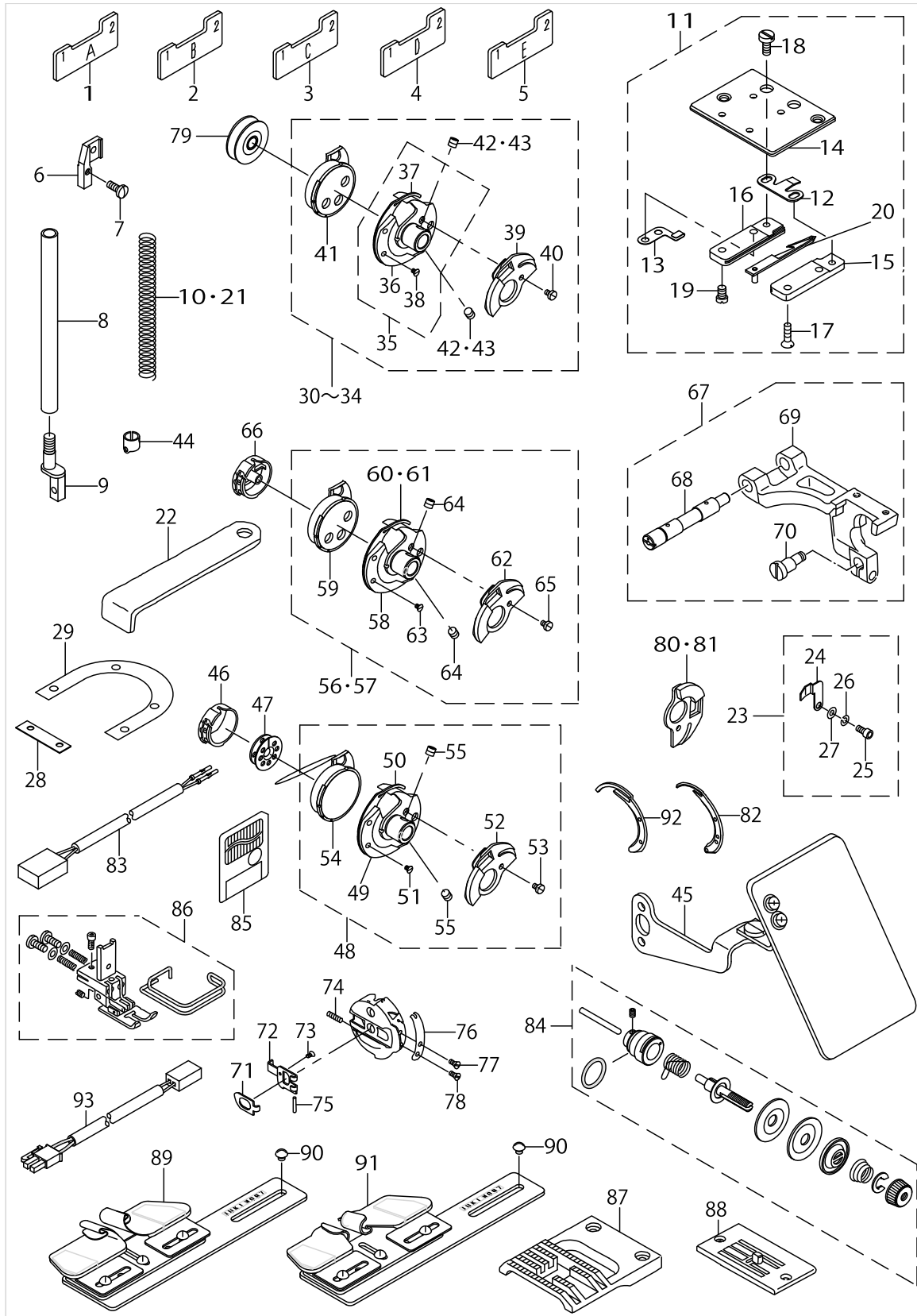
SPECIAL ORDER PARTS LZ-2290A (1)



SPECIAL ORDER PARTS LZ-2290A (1)

No.	Parts No.	Parts name	Remarks	Level	Cons	Qty
1	22535801	TIMING GAUGE				1
2	22586705	TIMING GAUGE				1
3	22535900	TIMMING GAUGE RIGHT				1
4	22536403	TIMMING GAUG D				1
5	22536502	TIMING GAUGE E				1
6	B1551586000	PRESSER FOOT JOINT				1
7	SS7090910SP	SCREW 9/64-40 L=8.5				1
8	D1501583H00	PRESSER BAR				1
9	D1502583H00	PRESSER BAR				1
10	B150522700A	PRESSER ADJUSTING SPRING				1
11	22556054	KNIFE UNIT				1
12	22556302	FIXED KNIFE		*		1
13	22556450	CLAMP PLATE ASM.		*		1
14	22556609	SLIDING PLATE		*		1
15	22556708	DRIVING BASE		*		1
16	22556807	DRIVING BASE		*		1
17	SS1090510SP	SCREW 9/64-40 L=5		*		2
18	SS6090420SP	SCREW 9/64-40 L=4.0		*		2
19	SS7090710SP	SCREW 9/64-40 L=6.8		*		2
20	22556153	DRIVING KNIFE ASM.		*		1
21	11162104	SPRING				1
22	B9101490000	DRIVER				1
23	22525455	NEEDLE HOLDER ASM.				1
24	22525406	NEEDLE GUARD		*		1
25	SM6030602TP	SCREW M3X0.5 L=6		*		1
26	WS0310702KS	SPRING WASHER		*		1
27	WP0320500SC	WASHER M3		*		2
28	10025906	SPACER				1
29	22503908	SPACER				1
30	22525059	HOOK COMPL. RIGHT				1
31	22526677	HOOK COMPL. V(PLASTIC HOOK)				1
32	22526578	HOOK COMPL. V(HARD POINT)				1
33	22525257	HOOK COMBINATION (HARD POINT)				1
34	22525752	HOOK ASM. (PLASTIC)				1
35	22525968	ROTATING HOOK V ASM.		*		1
36	22525919	OUTER HOOK V		*		1
37	23503501	INNER HOOK PRESSER V-S		*		1
38	10033009	HOOK GIB SCREW		*		2
39	22526206	REVERSE PLATE V		*		1
40	10033108	HOOK COUNTER BALANCE SCREW		*		1
41	22526008	INNER HOOK V		*		1
42	SS8110422TP	SCREW 11/64-40 L=4		*		2
43	SS8110520TP	SCREW 11/64-40 L=4.5		*		2
44	22507701	THRED RACK RIGHT				1
45	22503353	SAFETY PLATE ASM.				1
46	23522550	NOT TURN BOBBIN CASE ASM.				1
47	23523004	NOT TURN BOBBIN				1

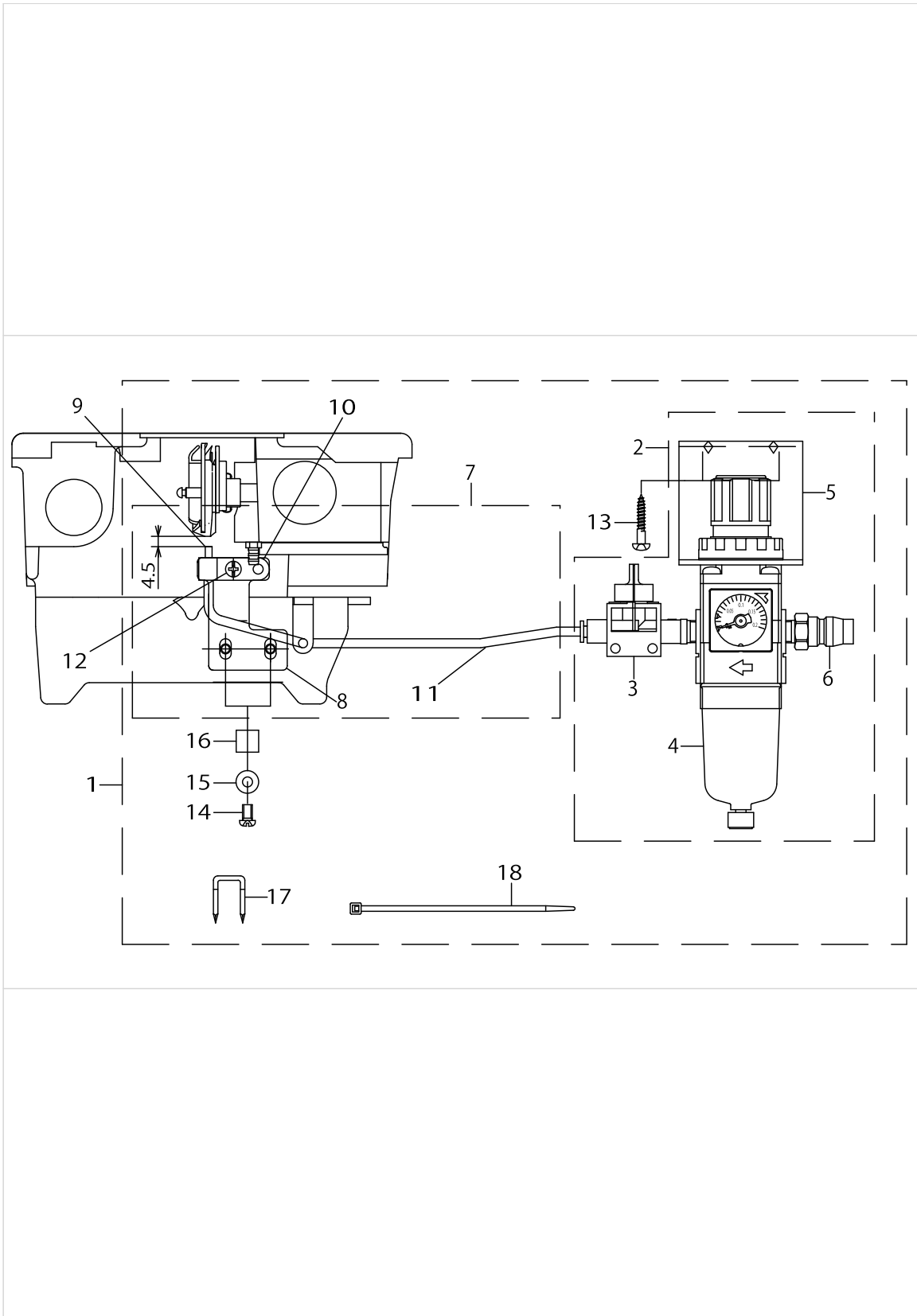
SPECIAL ORDER PARTS LZ-2290A (1)



SPECIAL ORDER PARTS LZ-2290A (1)

No.	Parts No.	Parts name	Remarks	Level	Cons	Qty
48	23523152	NOT TURN BOBBIN HOOK COMPL. V				1
49	22525919	OUTER HOOK V		*		1
50	23503501	INNER HOOK PRESSER V-S		*		1
51	10033009	HOOK GIB SCREW		*		2
52	23523202	NOT TURN BOBBIN INNER HOOK V		*		1
53	10033108	HOOK COUNTER BALANCE SCREW		*		1
54	22526008	INNER HOOK V		*		1
55	SS8110422TP	SCREW 11/64-40 L=4		*		2
56	23503659	HOOK COMPL. S	FOR INNER HOOK S			1
57	23502958	HOOK CONNECTION K	FOR INNER HOOK K			1
58	23503709	OUTER HOOK S		*		1
59	23503808	INNER HOOK S		*		1
60	23503907	INNER HOOK PRESSER S	FOR INNER HOOK S	*		1
61	23503006	INNER HOOK PRESSER K	FOR INNER HOOK K	*		1
62	23504004	BACK PLATE S		*		1
63	23504103	INNER HOOK PRESSER SETSCREW S		*		3
64	23504301	OUTER HOOK SETSCREW S		*		2
65	23504400	HOOK COUNTER BALANCE SCREW S		*		1
66	23504657	BOBBIN CASE WITH SPRING				1
67	23534951	R FEED KITS				1
68	23534902	FEED BASE SHAFT R		*		1
69	22519706	FEED BASE		*		1
70	10026508	LINK PIN		*		1
71	19800903	LC-601-1/ LATCH LEVER				1
72	19801000	LC-602-2/ LATCH				1
73	19801307	SMS-801-B/ SETSCREW PICK-UP				1
74	19801109	LSP-4/ LATCH SPRING				1
75	19801208	LFP-1/ LATCH PIN				1
76	19801406	TSP-604-B/ TENSION SPRING				1
77	19801505	SMS-608-B/ TENSION SCREW				1
78	19801604	SMS-609-B/ SETSCREW TENSION SPRING				1
79	22524201	BOBBIN				1
80	22524805	REVERSE PLATE				1
81	22526206	REVERSE PLATE V				1
82	23503303	INNER PRESSER V-S4				1
83	40008168	OP SWITCH CABLE A ASM.				1
84	40017095	THREAD TENSION DISK ASM				1
85	HX005750000	SMARTMEDIA CARD				1
86	22591564	PRESSER FOOT ASM.	FOR LZ-2290A-SR-7			1
87	10064004	FEED DOG	FOR LZ-2290A-SR-7			1
88	10061554	THROAT PLATE ASM.	FOR LZ-2290A-SR-7			1
89	MAM09700BA0	FAGOTING FOLDER ASM.	FOR LZ-2290A-SR-7			1
90	SS5110710SP	SCREW 11/64-40 L=7	FOR LZ-2290A-SR-7			2
91	MAM097000A0	FAGOTTING FELLER	FOR LZ-2290A-SR-7			1
92	40016408	HOOK GIB VS				1
93	40091888	FAN RELAY CABLE				1

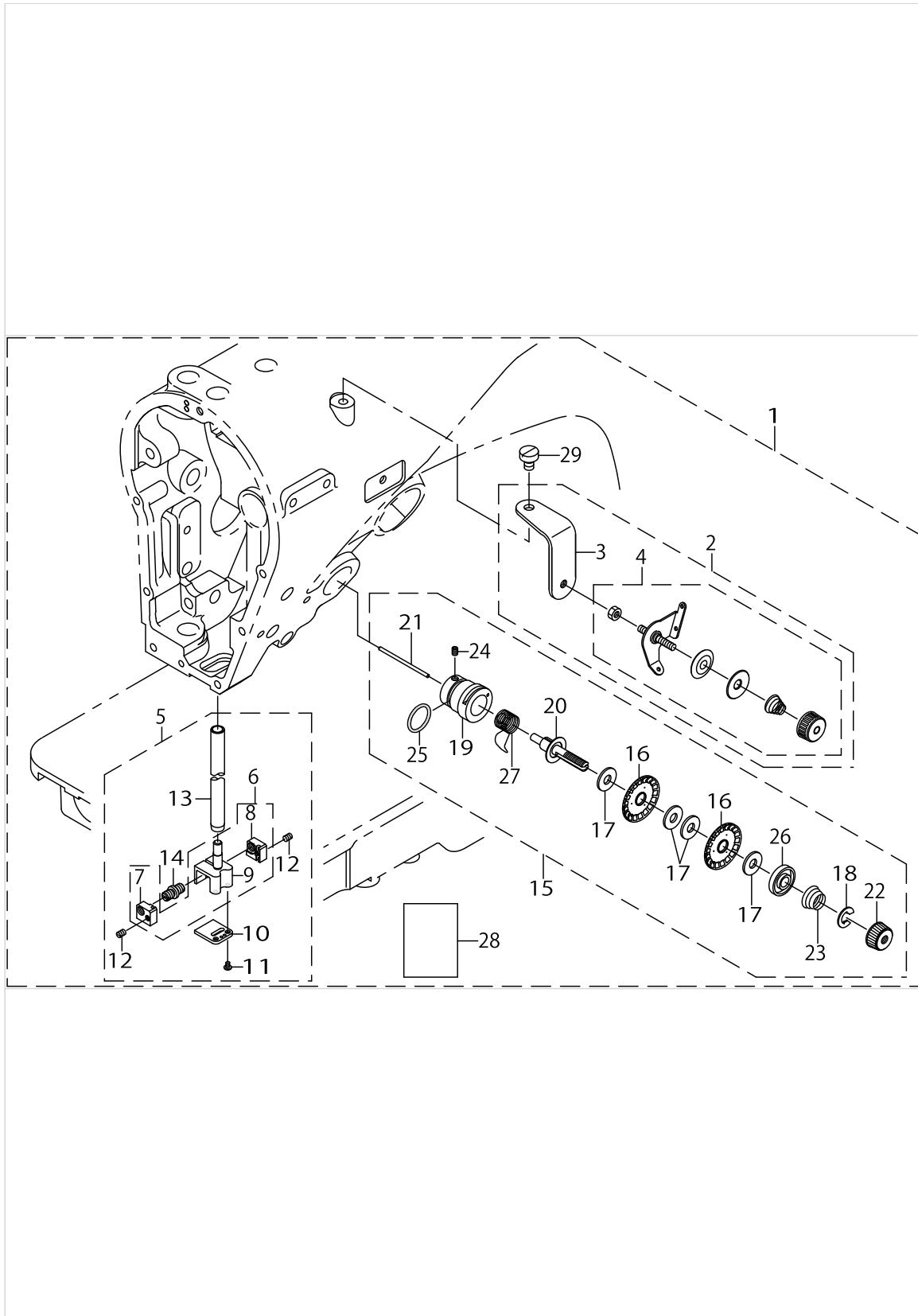
SPECIAL ORDER PARTS LZ-2290A (2)



SPECIAL ORDER PARTS LZ-2290A (2)

No.	Parts No.	Parts name	Remarks	Level	Cons	Qty
1	40023431	HOOK COOLING UNIT				1
2	40023432	FILTER REGULATOR ASM.		*		1
3	PV015122000	FINGER VALVE		*		1
4	PF0551060A0	FILTER REGULATOR		*		1
5	PF902005000	REGULATOR BRACKET		*		1
6	PJ025100003	PLUG		*		1
7	40023433	PIPE BRACKET ASM.		*		1
8	40023434	PIPE BRACKET		*		1
9	40023435	BLOWING PIPE		*		1
10	11045408	WIRE HOLDER A		*		1
11	BT0400251EB	URETHANE HOSE BLACK		*		1
12	SS4110715SP	SCREW 11/64-40 L=7		*		1
13	SK3412001SE	WOOD SCREW D=4.1 L=20		*		2
14	SS4111215SP	SCREW 11/64-40 L=12		*		2
15	WP0450801SD	WASHER 4.5X10X0.8		*		2
16	B4122804000	ROLLER		*		2
17	MA011532000	STAPLE		*		2
18	EA9500B0100	CABLE BAND		*		2

SPECIAL ORDER PARTS LZ-2290A (3)



SPECIAL ORDER PARTS LZ-2290A (3)

No.	Parts No.	Parts name	Remarks	Level	Cons	Qty
1	40025920	TWO NEEDLES BAR SET				1
2	40025762	THREAD TENSION ASM.		*		1
3	40025763	TENSION BASE PLATE		*		1
4	22528764	PRE-TENSION CONTROLLER ASM.		*		1
5	40025764	TWO NEEDLES CLAMP ASM.		*		1
6	40099885	NEEDLE CLAMP ASM.		*		1
7	40025768	GUIDE BLOCK L		*		1
8	40025767	GUIDE BLOCK R		*		1
9	40025765	NEEDLE CLAMP		*		1
10	40025766	TWO NEEDLES CLAMP PLATE		*		1
11	SS4060310SP	SCREW 3/32-56 L=2.5		*		2
12	SS8080410TP	SCREW 1/8-44 L=3.5		*		2
13	B1401380000	NEEDLE BAR		*		1
14	40025769	GUIDE BLOCK SCREW		*		1
15	40025913	THREAD TENSION ASM.C		*		1
16	23547557	THREAD TENSION T COMPL.		*		2
17	22528509	FELT		*		4
18	22921407	ROTATION STOPPER		*		1
19	23537665	THREAD TENSION ROD BASE ASM.		*		1
20	23537756	THREAD TENSION ROD COMPL.		*		1
21	40025915	TENSION RELEASING PIN		*		1
22	23626005	THREAD TENSION NUT		*		1
23	B3129012A00	TENSION SPRING		*		1
24	SS8090670SP	SCREW 9/64-40 L=5.5		*		1
25	RO133170100	RUBBER RING		*		1
26	10006005	TENSION DISC HOLDER		*		1
27	23538309	THREAD TAKE-UP SPRING		*		1
28	40025923	TWO NEEDLES BAR SET INSTRUCTIO		*		1
29	SS6620730SP	SCREW 3/16-32 L=7.0		*		1

HOW TO MAKE USE OF THIS PARTS LIST

1.Explanation of codes

1)"*"mark.....means this part is changed from the previous parts book.

As to the details of the change, refer to the "List for information of change".

2)"#01".....refer to "Note" explanation at bottom of page.

2.Codes on the "Qty" column

• Each numeral indicates the number of parts required.

• "0.1" and "2.5" indicate the length (in meters) of the respective parts.

3.Parentheses mean that the corresponding part is a subpart that constructs an assembly part.

4.Dotted lines on the Figures indicate assembly parts.

1."注記"欄の記号説明

1) "*"印.....前回のパーツブックに比較して今回変更された部品を意味します。

変更内容は、"変更情報リスト"を参照してください。

2) "#01".....ページ下の"注記"の説明を参照してください。

2.数量欄の数字は、個数を表し、0.1、2.5等の数値は、長さ（単位メートル）を表します。

3.数量欄の（ ）は、組部品を構成している子部品であることを意味します。

4.イラストページの-----枠は、組構成であることを意味します。

NUMERICAL INDEX OF PARTS

PART NO	PAGE	REF NO.	PART NO	PAGE	REF NO.	PART NO	PAGE	REF NO.
10001709	2	30	11429107	82	29	22526206	86	80·81
10006005	4	74	11429305	80	2	22526578	84	30~34
10006005	90	26	11434206	78	20	22526677	84	30~34
10008753	12	25	11846805	30	3	22528509	4	77
10025906	40	1	13705603	50	42	22528509	90	17
10025906	74	16	13747308	2	32	22528764	2	6
10025906	84	28	14101208	74	18	22528764	90	4
10026508	86	70	17845009	70	29	22529002	4	65
10027100	22	40·68	19800903	86	71	22529101	4	66
10027308	20	38	19801000	86	72	22529200	4	67
10033009	84	51	19801109	86	74	22529473	8	92
10033009	86	51	19801208	86	75	22529481	8	91
10033108	84	53	19801307	86	73	22535801	84	1
10033108	86	53	19801406	86	76	22535900	84	3
10055051	18	11	19801505	86	77	22536403	84	4
10056109	78	10	19801604	86	78	22536502	74	17
10061554	86	88	22502108	4	51	22536502	84	5
10064004	86	87	22502504	8	76·77	22547806	78	22
10126803	56	57	22502702	8	78	22552905	50	43
10162600	60	4	22503353	84	45	22554505	36	9
10208601	58	4	22503908	6	27	22554802	36	12
10208700	58	11	22503908	74	22	22554901	36	13
10208858	58	8	22503908	84	29	22555304	36	14
11001609	6	11	22504104	8	82	22555551	36	15
11015906	32	20	22505705	12	17	22555858	36	16
11033008	8	53	22506208	12	16	22556054	84	11
11040854	36	6	22507404	12	39	22556153	84	20
11043601	8	84	22507701	12	38	22556302	84	12
11045408	88	10	22507701	84	44	22556450	84	13
11047107	60	3	22508006	12	37	22556609	84	14
11050705	30	5	22519706	86	69	22556708	84	15
11071909	24	20·33	22524201	86	79	22556807	84	16
11072402	10	95	22524805	86	80·81	22556906	36	17
11093606	10	94	22525059	84	30~34	22557458	36	18
11162104	84	10·21	22525257	84	30~34	22557557	36	21
11214806	40	9·22	22525406	84	24	22557706	36	22
11302700	24	22	22525455	84	23	22557805	36	23
11314408	42	13	22525752	84	30~34	22557904	36	24
11422706	82	30	22525877	32	14	22558001	36	27
11425451	82	32	22525919	84	49	22558100	36	28
11425907	82	2	22525919	86	49	22558159	36	26
11427705	80	10	22525968	84	35	22558209	36	25
11428505	80	6	22526008	84	54	22558308	36	19
11428802	80	34	22526008	86	54	22558407	36	20
11429008	80	5	22526206	84	80·81	22561708	58	14

NUMERICAL INDEX OF PARTS

PART NO	PAGE	REF NO.	PART NO	PAGE	REF NO.	PART NO	PAGE	REF NO.
22561757	58	1	22931307	62	11	23503006	86	60-61
22561807	58	3	22931406	62	8	23503154	18	14
22561856	58	2	22932404	60	6	23503162	18	15
22561906	58	9	22932453	60	5	23503303	86	82
22561955	58	7	22932800	74	5	23503402	32	16
22562102	58	16	22933204	74	3	23503501	84	50
22562201	58	20	22934202	60	32	23503501	86	50
22580369	18	42	22934251	60	30	23503659	86	56-57
22580864	18	13	22934301	60	33	23503709	86	58
22581508	20	24	22934400	60	34	23503808	86	59
22582407	6	7	22934509	60	35	23503907	86	60-61
22584965	18	12	22934608	60	36	23504004	86	62
22586705	84	2	22940654	20	35	23504103	86	63
22587174	74	1	22944508	60	26	23504301	86	64
22591564	86	86	22949002	36	7	23504400	86	65
22596704	32	15	22949101	36	8	23504657	86	66
22596704	74	2	22952501	24	21	23522550	84	46
22890008	32	40	22952501	30	17	23523004	84	47
22901805	6	8	22955504	58	23	23523152	86	48
22907406	18	38-43	22955900	58	18	23523202	86	52
22907604	18	10	22955900	82	13	23526205	2	2
22907703	18	20	22956007	58	19	23526403	2	4
22907802	18	9	22956007	82	14	23526601	6	2
22910509	20	14	22956106	82	6	23526809	6	4
22913107	40	5	22956205	58	21	23527203	6	5
22913206	40	3	22956205	82	10	23527401	4	52
22916506	32	21	22956304	58	22	23527906	12	1
22919203	38	53	22956304	82	11	23528102	12	4
22920409	2	33	22956809	82	26	23528201	12	10
22921407	4	78	22956908	82	9	23528250	12	5
22921407	90	18	22957104	58	28	23528359	12	6
22926000	74	12	22957104	82	16	23528458	12	7
22926208	74	9	22957203	58	26	23528607	8	89
22926356	74	10	22957203	82	28	23528706	12	34
22926505	74	11	22958003	74	8	23528755	12	33
22930309	62	14	22958052	74	7	23529100	14	52
22930358	62	1	22958300	8	76-77	23529159	14	51
22930408	62	10	22958458	72	4	23529209	14	53
22930507	62	9	23500978	2	1	23529308	14	54
22930705	62	7	23501356	40	8	23529407	14	56
22930804	62	5	23501604	40	11	23529506	14	55
22930903	62	4	23501703	40	10	23530702	16	15
22931000	62	3	23501802	40	4	23530801	16	16
22931109	62	2	23501901	40	2	23531007	16	17
22931208	62	15	23502958	86	56-57	23531114	14	60

NUMERICAL INDEX OF PARTS

PART NO	PAGE	REF NO.	PART NO	PAGE	REF NO.	PART NO	PAGE	REF NO.
23531304	18	1	23537814	4	81	23557051	76	16
23531403	18	2	23538309	4	75	23557101	76	15
23531502	18	3	23538309	90	27	23557259	76	9
23532005	22	71	23538457	44	1	23558000	76	12
23532203	20	10	23538606	44	3	23558109	76	6
23532401	20	9	23538903	32	6~ 11·39	23558208	76	11
23532500	20	1	23539315	54	3	23558406	40	20
23532609	20	5	23539372	54	2	23558406	76	13
23532708	20	19	23539414	54	4	23559909	40	9·22
23532807	20	6	23539513	56	52	23600604	2	26
23532906	20	3	23539562	56	51	23601305	2	28
23533003	20	4	23539703	54	21	23604200	12	15
23533409	24	3	23539901	8	62	23604804	12	9
23533607	24	19	23540008	54	14	23605009	12	8
23533706	24	1	23540057	54	13	23605207	12	22
23533805	24	2	23540107	54	22	23609001	18	6
23533904	24	4	23540107	54	22	23609209	18	5
23534019	24	6	23540305	54	11	23612609	20	27
23534209	24	11	23541303	8	65	23612807	20	28
23534258	24	10	23541303	26	33	23612906	20	29
23534308	24	9	23541352	8	64	23613102	20	30
23534407	24	8·32	23541352	26	32	23613607	24	13
23534506	24	30	23541451	8	70	23613607	30	18
23534902	86	68	23541451	26	38	23613706	24	14
23534951	86	67	23541709	34	17	23613805	24	15
23535107	32	1	23541808	36	5	23613805	30	20
23535255	76	18	23542053	36	2	23613953	24	16
23535602	32	3	23542103	36	3	23613953	30	21
23536055	34	3	23542202	36	4	23616709	20	33
23536105	34	4	23542301	36	10	23626005	4	82
23536253	34	5	23542418	36	36	23626005	90	22
23536303	32	6~ 11·39	23542509	42	1	23628357	54	17
23536402	32	6~ 11·39	23542707	42	6	23628704	54	18
23536501	32	6~ 11·39	23544901	14	46	23628803	32	41
23536600	32	6~ 11·39	23545007	24	8·32	23628902	32	33
23536709	32	6~ 11·39	23545106	40	18	23629009	32	34
23536808	32	6~ 11·39	23545304	22	66	23629108	8	61
23537665	4	79	23545403	40	7	23629306	54	56
23537665	90	19	23547557	4	76	23629306	56	56
23537756	4	80	23547557	90	16	23629405	54	60
23537756	90	20	23556004	76	2	23629405	56	60
			23556053	76	1	23629801	54	38
			23556103	76	5	23629900	2	29
			23556202	76	4	23630007	54	67
			23556301	76	3	23630007	56	67

NUMERICAL INDEX OF PARTS

PART NO	PAGE	REF NO.	PART NO	PAGE	REF NO.	PART NO	PAGE	REF NO.
23630106	54	59	26300103	6	9	40003570	46	2
23630106	56	59	26300509	20	32	40003570	48	19
23630452	56	58	26302000	24	20·33	40003570	50	28
23630601	56	62	26302901	18	18	40003571	50	26
23630650	56	61	26303107	22	69	40003572	50	1
23631708	48	24	26303206	22	23·67·72	40003573	48	18
23631708	50	33	26305102	4	45	40003573	50	27
23631807	48	25	26305300	4	54	40003574	48	1
23631807	50	34	26305409	4	46	40003574	50	2
23631906	48	26	26307850	18	8	40003575	46	4
23631906	50	35	26308007	18	7	40003575	48	21
23632102	48	27	26312504	8	81	40003575	50	30
23632102	50	36	26314757	6	10	40003576	48	20
23638109	8	66	26910059	62	21	40003576	50	29
23638109	26	34	40000046	66	2·3	40003577	48	3
23638208	8	67	40000056	66	2·3	40003577	50	4
23638208	26	35	40000343	54	24	40003578	46	5
23638307	8	68	40000344	54	9	40003578	48	22
23638307	26	36	40003451	66	15	40003578	50	31
23638406	8	69	40003528	82	20	40003579	48	6
23638406	26	37	40003529	82	7	40003579	50	7
23639107	60	9	40003530	82	31	40003580	48	7
23639206	60	12	40003534	82	1	40003580	50	8
23639305	60	13	40003536	80	3	40003581	48	23
23639404	60	14	40003537	80	4	40003581	50	32
23639503	60	15	40003538	80	9	40003582	46	1
23639602	60	16	40003539	82	24	40003583	46	3
23639701	74	4	40003540	82	27	40003586	2	3
23640006	74	15	40003542	78	1	40003588	4	55
26025106	6	25	40003543	78	14	40003590	32	2
26230409	6	14	40003544	78	3	40003598	32	13
26234005	74	13	40003545	78	15	40003599	32	12
26260109	6	29	40003546	78	6	40003601	18	4
26260208	6	30	40003547	78	5	40003603	60	1
26260307	6	31	40003549	78	13	40003604	60	2
26260406	6	32	40003550	78	16	40003605	60	24
26260505	6	33	40003551	78	18	40003606	60	8
26260604	6	34	40003552	78	17	40003607	60	25
26260802	6	36	40003553	78	19	40003609	76	7
26261008	6	38	40003554	78	21	40003610	76	8
26261206	6	40	40003560	80	23	40003618	14	66
26261305	6	41	40003562	80	11	40003623	2	7~25
26261503	6	42	40003564	80	30	40003624	2	7~25
26261602	6	43	40003565	80	12	40003625	2	7~25
26261701	6	44	40003567	32	5	40003626	2	7~25

NUMERICAL INDEX OF PARTS

PART NO	PAGE	REF NO.	PART NO	PAGE	REF NO.	PART NO	PAGE	REF NO.
40003627	2	7~25	40010269	20	13	40011838	26	28
40003633	4	71·72	40010270	20	16	40011839	26	7
40003634	4	71·72	40010271	20	17	40011840	26	19
40003651	50	44	40010272	24	5·31	40011841	26	46
40003653	58	15	40010273	24	5·31	40011842	26	47
40005390	72	1·19	40010276	20	23·67·72	40011843	26	15
40005404	66	40	40010278	16	3	40011844	30	8
40005848	64	19	40010280	42	18	40011846	30	10
40005951	66	1·35	40010281	12	36	40011847	30	1
40005975	70	21·22·33	40010282	32	29	40011848	30	2
40005976	70	21·22·33	40010283	32	4	40011849	30	6
40005977	70	21·22·33	40010286	16	4~7	40011850	22	23·67·72
40005979	66	4	40010286	26	24~27	40012697	66	5~8
40005980	70	2	40010287	16	4~7	40012698	66	5~8
40005981	70	4	40010287	26	24~27	40013595	54	26
40005985	66	33	40010288	16	4~7	40013864	66	44
40005986	66	34	40010288	26	24~27	40013881	66	43
40005987	66	32	40010289	16	4~7	40014837	6	37
40005988	72	17	40010289	26	24~27	40015494	12	27
40005990	70	23·24	40010290	36	1	40015544	66	38
40005991	70	25	40010295	36	11	40015548	66	9
40005992	70	23·24	40010296	14	62	40016039	30	14
40006000	66	5~8	40010297	14	61	40016408	86	92
40006001	66	5~8	40010298	16	31	40016451	66	1·35
40006002	70	39	40010303	34	6	40017095	86	84
40006003	66	37	40010307	42	2	40017098	26	43
40006010	72	3	40010311	20	2	40017100	2	7~25
40006012	8	79·80	40010312	22	65	40017101	2	7~25
40006013	8	79·80	40010313	20	11	40017102	2	7~25
40006021	70	1	40010314	34	2	40017103	2	7~25
40006323	74	21	40010315	14	59	40018430	22	73
40008118	16	14	40010316	34	1	40020454	8	88
40008119	16	11~13	40010318	20	7	40021933	6	39
40008120	16	11~13	40010321	44	2	40022407	4	63
40008121	16	11~13	40010322	14	67	40022407	26	16
40008168	64	29	40010324	12	2	40022407	54	46
40008168	86	83	40011123	2	5	40023431	88	1
40008169	16	8	40011144	6	35	40023432	88	2
40008596	42	3	40011345	6	1	40023433	88	7
40009305	26	3	40011424	32	42	40023434	88	8
40010261	32	30	40011831	26	1	40023435	88	9
40010262	32	31	40011832	26	2	40024479	64	25·26
40010264	40	19	40011833	26	23	40024644	8	54
40010264	76	14	40011836	26	18	40025762	90	2
40010268	20	12	40011837	26	29	40025763	90	3

NUMERICAL INDEX OF PARTS

PART NO	PAGE	REF NO.	PART NO	PAGE	REF NO.	PART NO	PAGE	REF NO.
40025764	90	5	40108880	64	4	B16085550A0	20	40·68
40025765	90	9	40109555	64	11	B1653470000	22	46
40025766	90	10	40113427	72	2	B2508704000	34	21
40025767	90	8	40115767	64	25·26	B3121352000	4	83·84
40025768	90	7	40116677	8	85	B3129012A00	4	83·84
40025769	90	14	40119704	64	23	B3129012A00	90	23
40025913	90	15	40120730	32	28	B3214047000	10	93
40025915	90	21	40122922	64	1·2	B3416552000	18	25
40025920	90	1	40122923	64	1·2	B3416555000	18	26
40025923	90	28	40123001	64	21	B3431581000	18	27
40026835	6	28	40125469	18	16	B3508220000	26	44
40026836	8	87	40125483	22	70	B3518280000	56	53
40028014	12	18	40125485	20	34	B3536122000	54	16
40028294	6	24	40139216	20	26	B4122804000	88	16
40028463	6	3	40149234	16	2	B9101490000	84	22
40035589	8	83	40149235	16	1	B9102057000	74	6
40037008	8	56	40149236	16	33	B91210120A0	74	20
40050457	20	39	40149239	54	41	BP600000000	38	54
40050598	54	42	40149240	54	45	BT0400251EB	80	38
40055293	64	27·28	40149244	20	20	BT0400251EB	88	11
40055295	64	27·28	40149245	20	21	BT0600401EB	80	43
40056873	12	42	40149246	20	8	BT0800501EB	80	44
40070531	18	17	40149251	34	7~10	BT1601001Z0	80	46
40070532	12	41	40149252	34	7~10	CM200100001	70	34·36
40091888	86	93	40149253	34	7~10	CM300100003	66	10~12
40099885	90	6	40149254	34	7~10	CM300100003	70	26·27
40105188	64	20	40154492	66	17	CM300100401	66	10~12
40105707	64	15	40154493	66	39	CM300100401	70	26·27
40105708	64	5	40160261	12	3	CM300200001	2	35
40105713	64	18	40160262	34	20	CM300200001	6	13
40105714	64	13	40175861	54	1	CM300200003	8	75
40105715	64	7	40176805	56	64	CM300300003	28	48
40105716	64	14	B1114280000	30	7	CM300300003	42	12
40105717	64	10	B1155771000	80	28	CM300400601	66	10~12
40105720	64	8	B13071550A0	32	18	CM301300001	6	16
40106354	64	6	B1308155000	32	17	CM500100003	64	24
40106576	62	24	B1401380000	90	13	CM600100101	10	97
40106579	62	25	B150522700A	84	10·21	CQ202000000	14	70
40106580	62	23	B1505227T00A	18	38·43	CQ220000000	56	55
40106583	62	22	B1516552000	18	21	CS1000881TP	22	62
40106937	58	17	B1517552000	18	22	CS1000881TP	34	18
40106937	82	15	B1521555000	18	23	CS1470710SH	22	47
40108063	42	4	B1523226000	18	24	D1501583H00	84	8
40108064	42	5	B1525582000	78	23	D1502583H00	84	9
40108879	64	3	B1551586000	84	6	D2056772B0B	36	35

NUMERICAL INDEX OF PARTS

PART NO	PAGE	REF NO.	PART NO	PAGE	REF NO.	PART NO	PAGE	REF NO.
D2107490D00	58	10	HX004070000	70	28	MAO91003000	58	32
D2112555B00	4	61	HX00410000A	70	35	MC192300752	74	14·23
D2468555B00	42	7	HX005100000	72	16	MC2005F0700	12	44·45
D8204555D00	80	47	HX005110000	66	36	MDFRX1200C0	74	19
E9567319000	70	34·36	HX005110000	70	41	MDP500B1000	12	44·45
EA9500B0100	2	41	HX005750000	86	85	MDP500B1002	74	14·23
EA9500B0100	8	72	HX005940000	68	47	MTSHJ100003	72	7
EA9500B0100	12	20	KM000000350	16	18	NM3040520SF	66	29
EA9500B0100	16	9	KM000000350	26	11	NM6030001SB	36	39
EA9500B0100	26	40	M2010110000	70	11	NM6030001SC	50	45
EA9500B0100	30	12	M3801476000	66	16	NM6030001SC	80	22
EA9500B0100	46	7	M4001461000	70	7	NM6040000SN	26	14
EA9500B0100	48	31	M4002461000	70	8	NM6040001SN	16	29
EA9500B0100	50	40	M4004461000	70	9	NM6040001SN	50	46
EA9500B0100	56	66	M4005461000	70	10	NM6040002SE	62	30
EA9500B0100	70	6	M4006461000	70	5	NM6050001SE	62	17
EA9500B0100	88	18	M4007351000	70	12	NM6060001SC	14	69
EA9500B0200	8	60	M4008351000A	70	13	NM6060001SE	60	11
F10120030A0	80	27	M4009351000A	70	14	NM6080001SC	66	25
G1615880000	34	22	M4011351000	70	16	NM6080002SC	72	8
GAK33041000	18	28	M4012351000	70	17	NM6160511SE	62	18
GPR01015000	2	36	M4206461000	66	23	NP210300000	36	33
HA00600000A	58	25	M6095350CAA	2	7~25	NS6090310SP	26	4
HA00600000A	82	17	M6095350CAF	2	7~25	NS6090310SP	82	5
HD001530000	30	13	M6096350CAF	2	7~25	NS6110310SP	10	96
HF001301000	72	5	M6096350CAL	2	7~25	NS6110310SP	58	33
HF0078020P0	72	6	M6097350CAA	2	7~25	NS6110310SP	82	12
HK034610060	8	71	M6098350CAA	2	7~25	NS6110350SP	42	14
HK034610060	26	39	M6098350CAF	2	7~25	NS6120310SP	22	48
HK034610120	46	8	M6099350CAF	2	7~25	NS6150310SP	20	31
HK034610120	48	32	M6099350CAL	2	7~25	NS6150310SP	24	18
HK034610120	50	41	M6100350CAA	2	7~25	NS6150310SP	36	37
HK03464000B	42	11	M68014710A0	12	19	NS6150310SP	60	17
HK03464000B	82	23	M8002430000	54	34	NS6150430SP	36	38
HM000480010	66	18	M8523476AA0	16	19	NS6620310SP	18	29
HM000860010	60	27	M8523476AA0	26	8	NS6680410SP	22	49
HW200390000	82	18	M8524476AA0	6	6	PF0152030A0	80	24
HW5F18S1228	82	19	M90175800A0	72	20	PF0551060A0	88	4
HX00147000C	66	45	M90245800A0	72	1·19	PF902005000	80	25
HX00188000D	70	38	M90345800A0	72	18	PF902005000	88	5
HX00222000A	70	40	M90355800A0	72	21	PJ025100002	80	20
HX00222000B	66	13	MA011532000	88	17	PJ025100003	88	6
HX002890000	80	36	MAM097000A0	86	91	PJ032526001	80	1
HX00337000B	66	19	MAM09700BA0	86	89	PJ301060503	80	17
HX003390000	66	46	MAO11532000	72	15	PJ301080001	80	35

NUMERICAL INDEX OF PARTS

PART NO	PAGE	REF NO.	PART NO	PAGE	REF NO.	PART NO	PAGE	REF NO.
PJ301085201	80	15	SB108001900	12	35	SL4042091SC	70	30
PJ304065201	80	16	SB1200008C0	12	21	SL4044091SE	66	30
PJ308080001	80	26	SB1200013C0	12	14	SL4051091SC	6	26
PJ308085202	80	45	SB3100010C0	34	12	SL4051091SC	56	50
PJ309040501	80	8	SB3220002CA	20	41~45	SL4850891SC	80	19
PS0300122KH	24	7	SB3220002CB	20	41~45	SL6051092TN	30	11
PS0300182KF	50	48	SB3220002CC	22	41~45	SL6052092TN	12	40
PS0300182KF	52	48	SB3220002CD	22	41~45	SL6052092TN	54	12
PS0400222K0	14	57	SB3220002CE	22	41~45	SL6052592TN	2	27
PS0800202KH	2	39	SD0500481TP	58	27	SL6052592TN	12	24
PV015122000	88	3	SD0600271SP	58	34	SL6083092TN	66	20
PV130539000	80	14	SD0600291TP	36	44	SM0051001SC	8	58
PV135207000	80	13	SD0600321SP	22	52	SM0081001SD	54	43
PX050501000	80	18	SD0600341TP	18	33	SM1044050SM	60	28
PX950009000	80	40	SD0600452TP	42	15	SM4021201SC	8	73
RC0150001KP	20	25	SD0630275SP	18	34	SM4021201SC	26	41
RC0330415KP	40	14	SD0630301SP	18	35	SM4030401SN	64	12
RC0560711KP	6	45	SD0630371SP	18	36	SM4030501SN	8	90
RE0250000K0	82	8	SD0640751SP	2	40	SM4030655SP	16	22
RE0300000K0	22	50	SD0650321TP	58	30	SM4030801SF	70	18
RE0300000K0	40	23	SD0650321TP	82	4	SM4040601SC	36	46
RE0320000K0	58	6	SD0720331SP	60	20	SM4040601SC	60	29
RE0400000K0	6	46	SD0791503SP	36	45	SM4040655SP	8	52
RE0400000K0	36	40	SD0900701TP	22	53	SM4041201SC	62	28
RE0500000K0	18	30	SD0951501SP	42	16	SM4042501SC	62	29
RE0500000K0	22	51	SK3412000SC	80	33	SM4051255SP	16	23
RE0500000K0	36	41	SK3412001SE	88	13	SM4051405SE	62	12
RE0600000K0	18	31	SK3512001SE	72	14	SM4051655SP	26	22
RE0600000K0	36	43	SL4030581SC	26	20	SM4860801SN	16	24
RE1000000K0	60	19	SL4030631SC	58	24	SM4860801SN	26	9
RE1200000K0	42	8	SL4030631SC	82	3	SM5040655SN	8	48
RO036080200	32	22	SL4030641SE	58	31	SM6030602TP	84	25
RO037180100	14	63	SL4030641SE	82	22	SM6041002TP	16	25
RO037180100	18	32	SL4030891SC	80	21	SM6041402TP	16	32
RO037180100	54	6	SL4033091SC	66	42	SM6041602TP	26	13
RO048190100	32	23	SL4040881SC	12	23	SM6042502TP	26	12
RO048190100	54	23	SL4040881SC	66	48	SM6061002TP	16	34
RO068190100	32	35	SL4040881SC	68	48	SM6061610SC	62	6
RO080150200	2	37	SL4040881SC	70	19	SM6084002TN	72	11
RO098240100	54	49	SL4040891SC	26	17	SM8040802TP	8	50
RO098240100	56	49	SL4040891SC	66	49	SM8040802TP	70	3
RO133170100	2	38	SL4040891SC	68	49	SM8050502TP	8	49
RO133170100	90	25	SL4040891SC	70	37	SM8050612TP	16	27
RO172180100	32	36	SL4041091SE	70	31	SM8050612TP	26	30
RO195240100	54	28	SL4041681SF	70	20	SM8050612TP	30	9

NUMERICAL INDEX OF PARTS

PART NO	PAGE	REF NO.	PART NO	PAGE	REF NO.	PART NO	PAGE	REF NO.
SM8050612TP	40	15	SS4120615SP	8	63	SS7090910TP	12	43
SM80506A2TP	22	63	SS4120615SP	26	45	SS7090910TP	18	37
SM80506A2TP	34	23	SS4120615SP	48	34	SS7091110TP	20	22
SM8060612TP	30	4	SS4120615SP	54	7	SS7110740TP	16	26
SM8060812TP	12	31	SS4120615SP	58	35	SS7110740TP	22	55
SM8060812TP	24	23	SS4120915SP	4	48	SS7110740TP	40	6
SM8060812TP	30	19	SS4120915SP	6	74	SS7110740TP	42	9
SM8060812TP	34	16	SS4120915SP	8	74	SS7110740TP	48	30
SM8061212TP	14	65	SS4120915SP	76	10	SS7110740TP	50	39
SM8063012TR	60	10	SS4121015SP	4	49	SS7110840SP	80	31
SM9041050SC	68	50	SS4121015SP	50	47	SS7110910TP	22	60
SM9061203SE	60	31	SS4121015SP	52	47	SS7111110TP	18	19
SM9061853SR	60	22	SS4121215SP	16	35	SS7111810TP	26	31
SM9062053SR	60	7	SS4121615SP	54	31	SS7121410TP	16	21
SS1090510SP	36	30	SS4150915SP	4	50	SS7121410TP	20	36
SS1090510SP	84	17	SS4150915SP	22	57	SS7121410TP	24	26
SS1090930SP	12	26	SS4150915SP	38	50	SS7121410TP	40	21
SS1110710SP	4	42	SS4150915SP	42	17	SS7681650TP	12	29
SS1110710SP	24	28	SS4151215SP	26	42	SS8080310TP	82	21
SS1110840SP	8	86	SS5110710SP	86	90	SS8080410TP	90	12
SS2090710TP	4	43	SS6060210SP	6	12	SS8090670SP	4	73
SS2090810SP	6	18	SS6090420SP	84	18	SS8090670SP	16	30
SS2110920TP	36	47	SS6090540SP	4	69	SS8090670SP	90	24
SS2111010TP	38	48	SS6090540SP	82	25	SS8110410TP	76	17
SS3090520SP	58	13	SS6090810SP	78	24	SS8110422TP	44	6
SS4060310SP	90	11	SS6110650TP	44	4	SS8110422TP	84	55
SS4080620TP	22	54	SS6110820TP	40	13	SS8110422TP	86	55
SS4110515SP	46	6	SS6121610SP	24	17	SS8110510SP	76	19
SS4110515SP	48	29	SS6121610SP	30	22	SS8110520TP	32	25
SS4110515SP	50	38	SS6121840SP	24	24	SS8110520TP	84	43·43
SS4110615SP	16	20	SS6121860SP	24	27	SS8110750SP	2	34
SS4110615SP	22	58	SS6121860SP	30	16	SS8110750SP	34	14
SS4110615SP	54	32	SS6580752TP	4	70	SS8111251SP	8	59
SS4110715SP	80	32	SS6580752TP	22	59	SS8111251SP	32	37
SS4110715SP	88	12	SS6620730SP	90	29	SS8120740SP	14	58
SS4110815SP	54	30	SS6660710TP	34	19	SS8150510TP	18	39
SS4110915SP	4	68	SS7060310SP	14	48	SS8151230SP	14	64
SS4110915SP	14	50	SS7060310SP	36	32	SS8151230SP	44	5
SS4110915SP	22	61	SS7080410SP	4	53	SS8152030SP	18	40
SS4110915SP	32	24	SS7080520SP	14	47	SS8660610TP	12	32
SS4110915SP	38	49	SS7090410SP	8	51	SS8660612TP	20	18
SS4111215SP	88	14	SS7090610SP	36	51	SS8660810TP	22	64
SS4111415SP	54	33	SS7090610SP	38	51	SS8660810TP	32	27
SS4120615SP	4	47	SS7090710SP	84	19	SS8660810TP	34	15
SS4120615SP	6	63	SS7090910SP	84	7	SS8680730SP	12	30

NUMERICAL INDEX OF PARTS

PART NO	PAGE	REF NO.	PART NO	PAGE	REF NO.
ST4030851SN	64	17	WZ0641510KP	4	62
ST4040821SS	8	55			
SV4030601SR	70	15			
SV4031001SN	64	22			
SV4032001SN	64	16			
TA0180401M0	32	32			
TA0750404R0	56	65			
TA0800504R0	4	56			
TA0850604R0	32	38			
TA0850604R0	54	44			
TA0950806R0	48	33			
TA1250406R0	4	58			
TA1250406R0	30	15			
TA1250705R0	2	31			
WP0320500SC	84	27			
WP03305000E	4	64			
WP0371016SD	58	12			
WP0430801SC	66	22			
WP0450801SD	88	15			
WP0450826SC	6	47			
WP0460556SD	26	5			
WP0460556SD	54	10			
WP0480856SD	20	37			
WP0480856SP	40	16			
WP0482016SZ	16	28			
WP0500916SD	40	17			
WP0501016SD	4	59			
WP0520656SA	16	10			
WP0621016SH	38	52			
WP0650876SD	60	23			
WP0651056SD	4	60			
WP0720516SD	14	68			
WP0740516SP	18	41			
WP0841601SC	66	24			
WP0841601SC	72	13			
WP0852086SC	72	9			
WP1651616SD	24	29			
WP1702600S0	62	19			
WP1703001SC	42	10			
WS0270002KN	36	34			
WS0310702KS	84	26			
WS0410002KN	66	21			
WS0510002KN	62	16			
WS0820002KR	72	12			
WS1643202KR	62	20			