

MODEL : MO-6904C-0E6/MO-6914C-BE6

List No : 1359-06

PARTS LIST

Published:09/10/2017

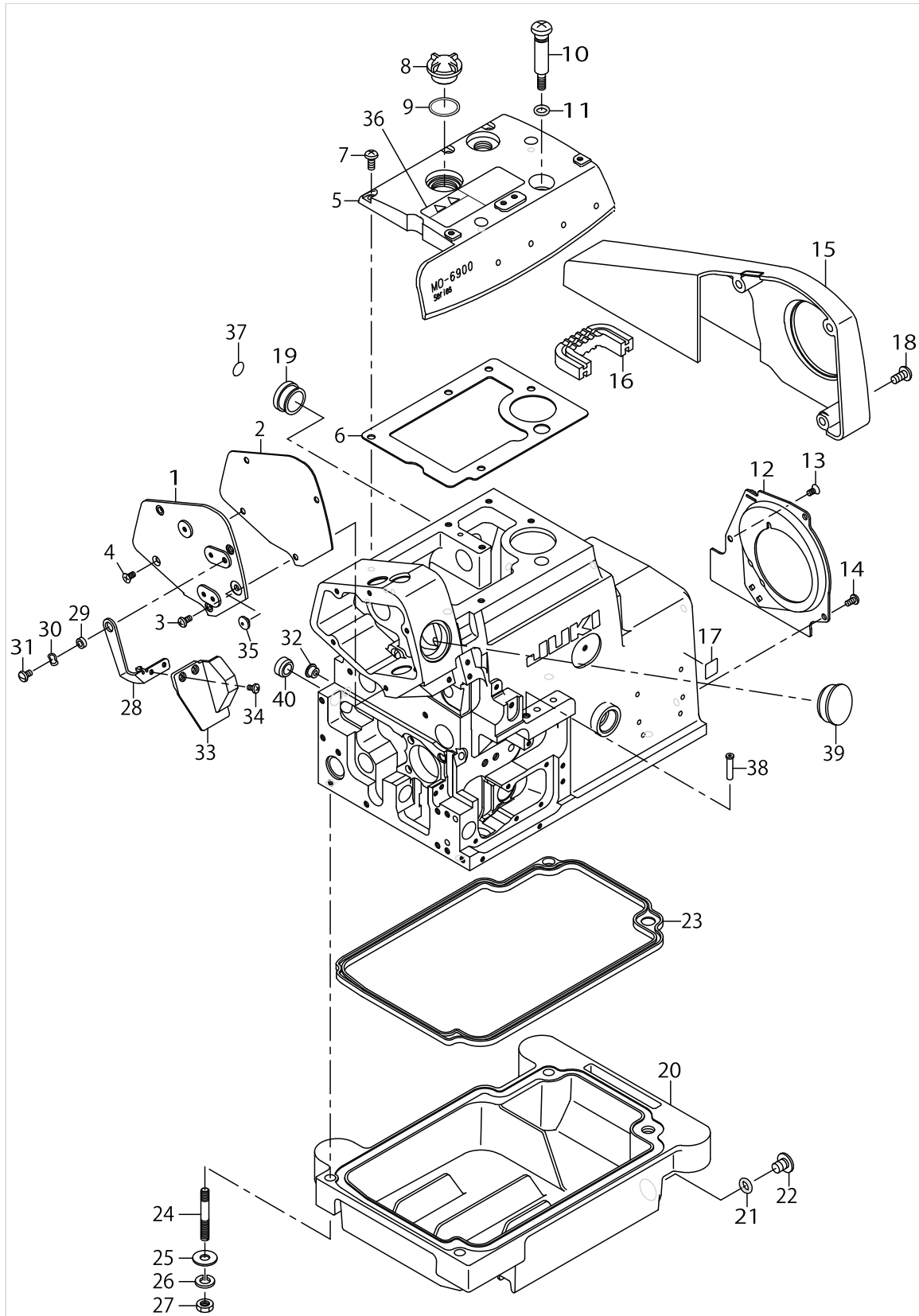
CONTENTS

MISCELLANEOUS COVER COMPONENTS (1).....	1
MISCELLANEOUS COVER COMPONENTS (2).....	3
CRANKSHAFT COMPONENTS	5
NEEDLE DRIVING SHAFT COMPONENTS.....	7
FEED MECHANISM COMPONENTS (1).....	11
FEED MECHANISM COMPONENTS (2).....	13
UPPER & LOWER LOOPER COMPONENTS.....	17
PRESSER FOOT COMPONENTS (1).....	21
PRESSER FOOT COMPONENTS (2).....	25
THREAD TENSION COMPONENTS	27
LOWER KNIFE COMPONENTS.....	29
UPPER KNIFE COMPONENTS	31
NEEDLE COOLING MECHANISM COMPONENTS.....	33
LUBRICATION MECHANISM COMPONENTS.....	35
SEMI-SUNKEN TYPE TABLE COMPONENTS.....	39
STAND COMPONENTS (Z·T).....	41
THREAD STAND COMPONENTS.....	43
THREAD STAND COMPONENTS (SPECIAL ORDER PARTS).....	45
SPECIAL ORDER PARTS COMPONENTS.....	47
ACCESSORIES PARTS COMPONENTS	49
SUBCLASSES.....	51
LIST FOR INFORMATION OF CHANGE.....	53
HOW TO MAKE USE OF THIS PARTS LIST	54

MISCELLANEOUS COVER COMPONENTS (1)

No.	Parts No.	Parts name	Remarks	Level	Cons	Qty
1	12229100	CHIP GUARD COVER				1
2	13102405	CROTH WASTE COVER STOPPER				1
3	SS2090520SL	SCREW 9/64-40 L=5				1
4	NS6090310SN	NUT 9/64-40				1
5	SS3090610SP	SCREW 9/64-40 L=6				2
6	13285903	FEED MECHANISM COVER				1
7	13280201	FEED MECHANISM COVER GASKET A				1
8	SM4050855SP	SCREW				5
9	31250657	SIDE COVER ASM.				1
10	SS4120615SP	SCREW 3/16-28 L=6				2
11	31250806	LOOPER COVER				1
12	31250707	LOOPER COVER BRACKET				1
13	SM4041055SP	SCREW				2
14	13101209	LOOPER COVER SPRING				1
15	13101407	LOOPER COVER PRESSER PLATE				1
16	SS7090530SP	SCREW 9/64-40 L=4.5				1
17	13101001	LOOPER COVER GUIDE PLATE				1
18	SS7090610SP	SCREW 9/64-40 L=6				1
19	13101308	LOOPER COVER PRESSER SPRING				1
20	SM4040655SP	SCREW M4 L=6				1
21	CM300200001	ATTENTION SEAL				1
22	13240007	LOOPER COVER HINGE SHAFT A	SELECTIVE PARTS			1
23	13240106	LOOPER COVER HINGE SHAFT B	SELECTIVE PARTS			1
24	13240205	LOOPER COVER HINGE SHAFT C	SELECTIVE PARTS			1
25	12200408	GASKET B				1
26	12200507	COVER				1
27	RO315200100	RUBBER RING				1
28	SS8110410TP	SCREW 11/64-40 L=3.5				1
29	TA1450404R0	RUBBER PLUG D=14.5 L=4				1
30	TA0980502R0	RUBBER PLUG				2
31	TA2100904R0	RUBBER PLUG				1
32	40011552	OIL SHIELD PLATE				1
33	SM4040655SP	SCREW M4 L=6				2
34	40150131	EAC_MARK_LABEL_S	FOR JE			1

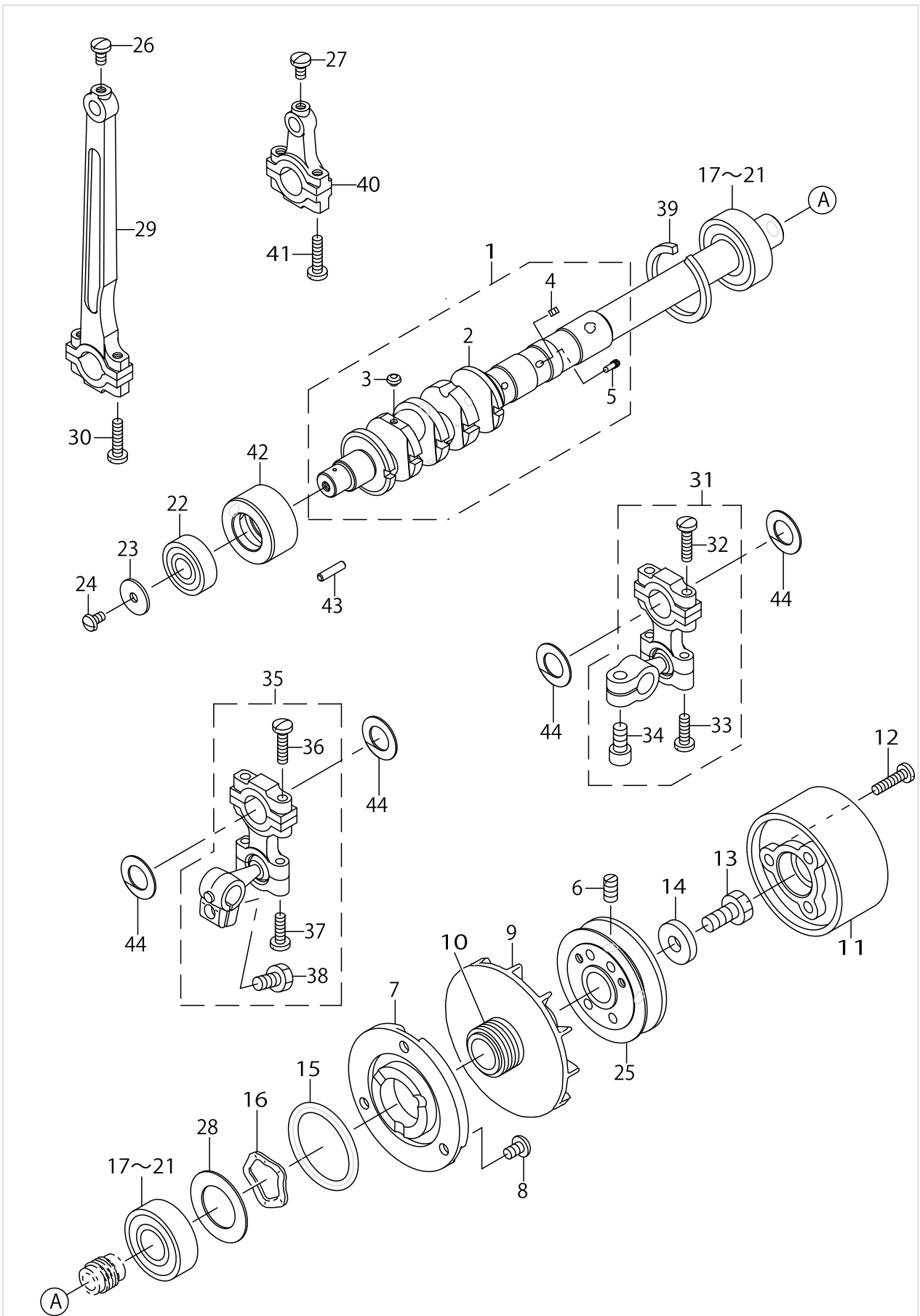
MISCELLANEOUS COVER COMPONENTS (2)



MISCELLANEOUS COVER COMPONENTS (2)

No.	Parts No.	Parts name	Remarks	Level	Cons	Qty
1	13200209	SIDE COVER				1
2	13200308	SIDE COVER GASKET				1
3	SM4040855SP	SCREW				3
4	SM1040801SC	SCREW M4X0.7 L=8				1
5	13200407	UPPER COVER				1
6	13200605	UPPER COVER GASKET				1
7	SM4051255SP	SCREW M5 L=12				5
8	22924708	OIL SIGHT WINDOW				1
9	13170006	RUBBER RING				1
10	13104500	OIL DRAIN SCREW				1
11	13170204	RUBBER RING				1
12	13201009	COOLING FAN PLATE				1
13	SM1040801SC	SCREW M4X0.7 L=8				1
14	SM4040855SP	SCREW				2
15	40037392	BELT COVER C				1
16	40040065	VIBRATION PROOF RUBBER				1
17	CM600100101	WEEE MARK LABEL S	FOR JE			1
18	SS4151215SP	SCREW 15/64-28 L=12				3
19	TA2050805R0	RUBBER PLUG				1
20	12201117	OIL RESERVOIR				1
21	RO074240100	RUBBER RING				1
22	SM0081001SD	SCREW				1
23	12201208	OIL RESERVOIR GASKET				1
24	13103908	SCREW STUD				4
25	WP0751576SD	WASHER 7.5X19X1.5				4
26	WS0822010KP	SPRING WASHER 8.2X15X2				4
27	NS6680410SP	NUT 9/32-28				4
28	13201108	SAFETY PLATE BRACKET				1
29	13104807	SAFETY PLATE BRACKET COLLAR				1
30	WZ0850302K0	WAVED WASHER 8.5X12.5X0.3				1
31	SS5110710SP	SCREW 11/64-40 L=7				1
32	TA0800504R0	PLUG D=8 L=4.5				1
33	13201207	SAFETY PLATE				1
34	SS7090611SL	SCREW 9/64-40 L=6.1				2
35	13204003	SAFETY PLATE BUSH				1
36	CM301300001	SAFETY LABEL				1
37	22901805	GROUND MARK				1
38	13102900	THREAD GUIDE LARGE				2
39	10753309	WINDOW PLATE RUBBER PLUG				1
40	TA1470702R0	RUBBER PLUG				1

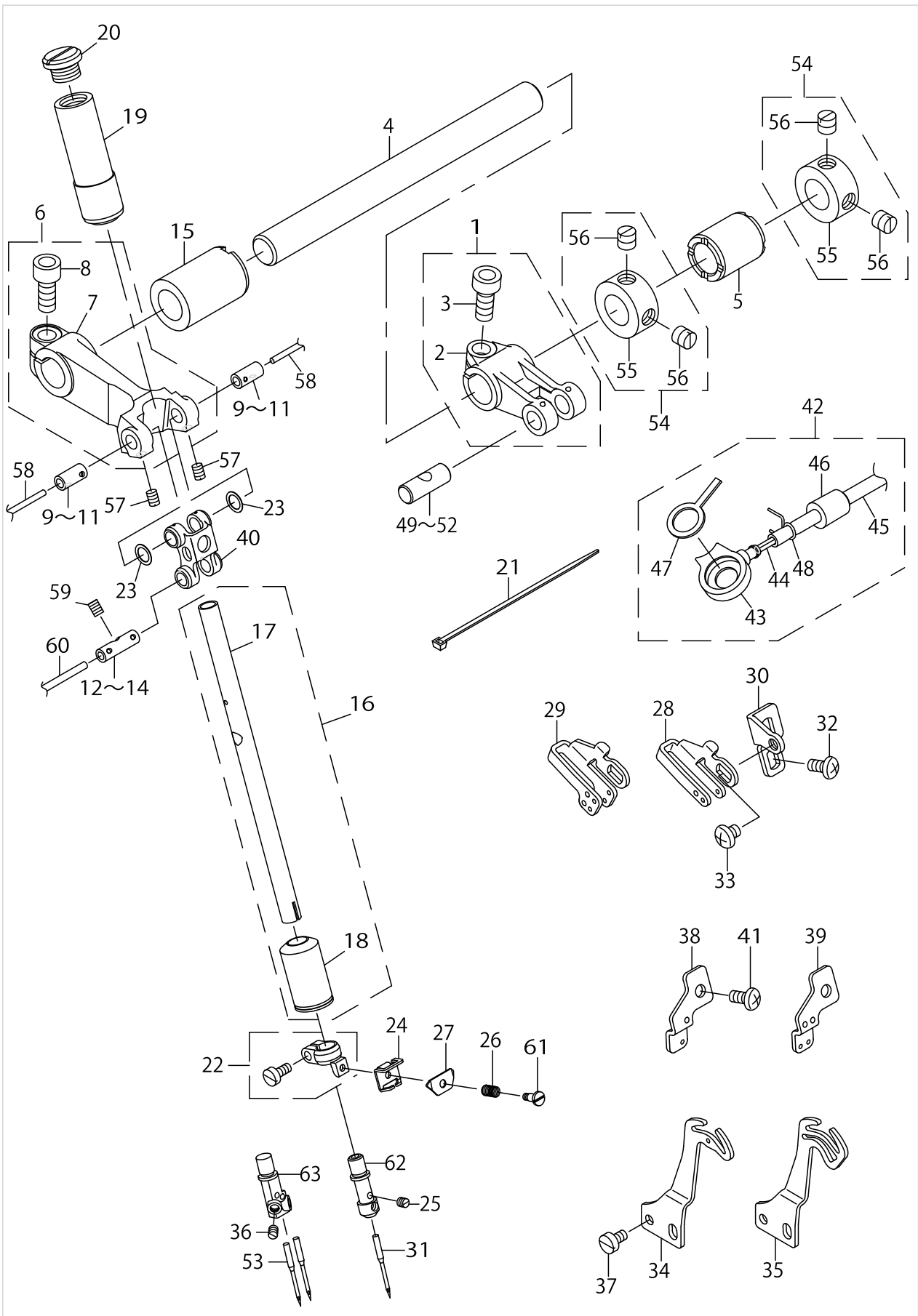
CRANKSHAFT COMPONENTS



CRANKSHAFT COMPONENTS

No.	Parts No.	Parts name	Remarks	Level	Cons	Qty
1	40023373	MAIN SHAFT ASM.				1
2	40023372	MAIN SHAFT		*		1
3	SS5080212TP	SCREW 1/8-44 L=2		*		5
4	SS8080410TP	SCREW 1/8-44 L=3.5		*		1
5	31251804	OIL ADJUSTING SCREW		*		1
6	SS8151150TP	SCREW 15/64-28 L=10.5				2
7	13107800	THRUST COLLAR				1
8	SM4050855SP	SCREW M5 L=8				3
9	13108402	COOLING FAN				1
10	12280103	OIL SHIELD				1
11	31251507	FLYWHEEL C				1
12	SS7111810TP	SCREW 11/64-40 L=18				3
13	SS9681610TP	SCREW 9/32-28 L=16				1
14	WP0764016SP	WASHER				1
15	13170303	RUBBER RING				1
16	WZ2640310KH	WAVED WASHER 26.4X33.9X3.5				1
17	40017703	BEARING A	SELECTIVE PARTS			2
18	40017704	BEARING B	SELECTIVE PARTS			2
19	40017705	BEARING C	SELECTIVE PARTS			2
20	40017706	BEARING D	SELECTIVE PARTS			2
21	40017707	BEARING E	SELECTIVE PARTS			2
22	12204202	CRANKSHAFT BALL BEARING D				1
23	12204004	THRUST HOLDER				1
24	SS5110740TP	SCREW 11/64-40 L=6.5				1
25	13107602	HANDWHEEL (A)				1
26	SS7110840SP	SCREW 11/64-40 L=7.8				1
27	SS7110840SP	SCREW 11/64-40 L=7.8				1
28	13108303	BEARING HOLDING PLATE				1
29	12109104	CONNECTING ROD				1
30	SS7111810TP	SCREW 11/64-40 L=18				2
31	12122362	UPPER LOOPER ROD ASM.				1
32	SS7111810TP	SCREW 11/64-40 L=18		*		2
33	SS7111410TP	SCREW 11/64-40 L=14		*		2
34	SM6061202TP	SCREW M6 L=12		*		1
35	12215158	LOWER LOOPER ROD ASM. A				1
36	SS7111810TP	SCREW 11/64-40 L=18		*		2
37	SS7111410TP	SCREW 11/64-40 L=14		*		2
38	SS9151210TP	SCREW 15/64-28 L=11.8		*		1
39	B1212704000	BEARING RETAINER				1
40	12132106	KNIFE DRIVING ROD ASM.				1
41	SS7111810TP	SCREW 11/64-40 L=18				2
42	40012383	CRANKSHAFT BUSHING C				1
43	13281407	OIL ADJUSTING BAR				1
44	40017824	LOOPER LOD STOPPER				4

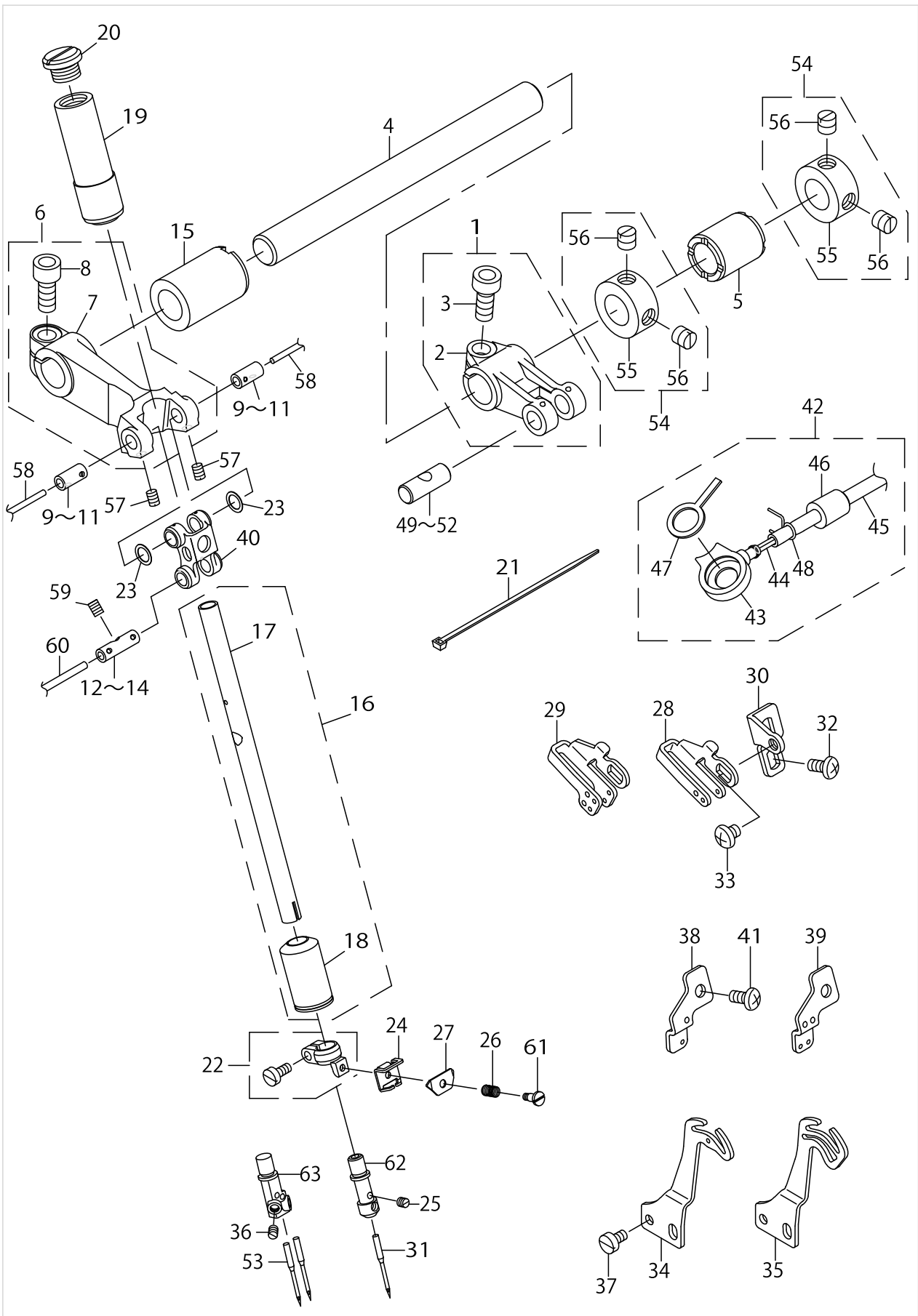
NEEDLE DRIVING SHAFT COMPONENTS



NEEDLE DRIVING SHAFT COMPONENTS

No.	Parts No.	Parts name	Remarks	Level	Cons	Qty
1	13110556	FEED FORKED CRANK ASM.				1
2	13110507	NEEDLE DRIVING BRANCH CRANK		*		1
3	SM6061402TP	SCREW M6 L=14		*		1
4	13110606	NEEDLE DRIVING SHAFT				1
5	12280301	BUSHING REAR				1
6	13209853	NEEDLE DRIVING ARM ASM.				1
7	13209804	NEEDLE DRIVING ARM		*		1
8	SM6061402TP	SCREW M6 L=14		*		1
9	13209101	NEEDLE DRIVING ARM PIN A	SELECTIVE PARTS			2
10	13209200	NEEDLE DRIVING ARM PIN B	SELECTIVE PARTS			2
11	13209309	NEEDLE DRIVING ARM PIN C	SELECTIVE PARTS			2
12	13209408	NEEDLE DRIVING PIN A	SELECTIVE PARTS			1
13	13209507	NEEDLE DRIVING PIN B	SELECTIVE PARTS			1
14	13209606	NEEDLE DRIVING PIN C	SELECTIVE PARTS			1
15	13110002	BUSHING REAR				1
16	13208350	NEEDLE ROD (A) ASM.				1
17	13208301	NEEDLE ROD (A)		*		1
18	13207709	NEEDLE ROD BUSHING LOWER		*		1
19	13209705	NEEDLE ROD BUSHING UPPER				1
20	13207808	NEEDLE ROD BUSHING CAP SCREW				1
21	EA9500B0100	CABLE BAND				1
22	13110259	NEEDLE CLAMP HOLDER ASM.				1
23	13208103	NEEDLE DRIVING LINK WASHER				2
24	12280905	NEEDLE THREAD PRESSER GUIDE A				1
25	SS8080310TP	SCREW 1/8-44 L=2.8	FOR MO-6904C			1
26	13110903	NEEDLE THREAD PRESSER SPRING				1
27	13111000	NEEDLE THREAD PRESSER PLATE A				1
28	13208806	NEEDLE THREAD GUIDE	FOR MO-6904C			1
29	13208905	THREAD GUIDE 2-NEEDLE	FOR MO-6914C			1
30	13208707	NEEDLE THREAD GUIDE BASE				1
31	MDC270B1100	NEEDLE DCX27 #11	FOR MO-6904C			1
32	SM4040855SP	SCREW				2
33	SS4110515SP	SCREW 11/64-40 L=5				1
34	13111208	NEEDLE THREAD TAKE-UP LEVER	FOR MO-6904C			1
35	13111307	TAKE-UP LEVER 2-NEEDLE	FOR MO-6914C			1
36	SS8080310TP	SCREW 1/8-44 L=2.8	FOR MO-6914C			2
37	SS6090670TP	SCREW 9/64-40 L=6				2
38	12281705	TAKE-UP LEVER GUIDE	FOR MO-6904C			1
39	12281804	TAKE-UP LEVER GUIDE 2-NEEDLE	FOR MO-6914C			1
40	13208004	NEEDLE DRIVING LINK				1
41	SM4040855SP	SCREW				1
42	13282454	ONCE THROUGH OIL PIPE ASM.				1
43	13208509	ONCE THROUGH OIL COVER		*		1
44	CQ200000000	OIL WICK		*		1.02
45	23630007	TUBE		*		0.5
46	13244009	ONCE THROUGH OIL PIPE BUSHING		*		1
47	13208608	ONCE THROUGH OIL FELT		*		1

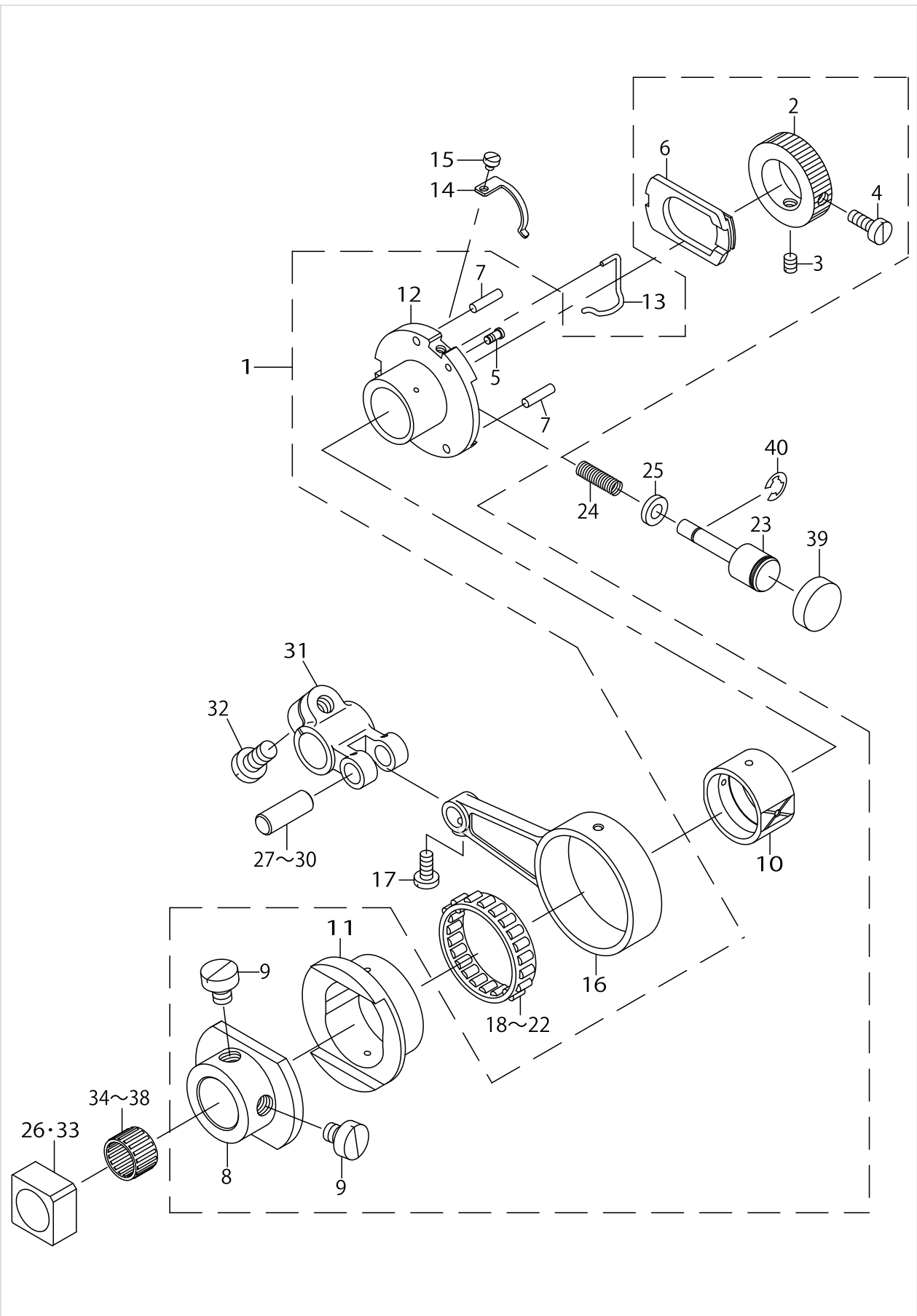
NEEDLE DRIVING SHAFT COMPONENTS



NEEDLE DRIVING SHAFT COMPONENTS

No.	Parts No.	Parts name	Remarks	Level	Cons	Qty
48	13142609	PIPE CLAMP		*		1
49	13122007	FEED BRANCH CRANK PIN A	SELECTIVE PARTS			1
50	13122106	FEED BRANCH CRANK PIN B	SELECTIVE PARTS			1
51	13122205	FEED BRANCH CRANK PIN C	SELECTIVE PARTS			1
52	13122304	FEED BRANCH CRANK PIN D	SELECTIVE PARTS			1
53	MDC270B1100	NEEDLE DCX27 #11	FOR MO-6914C			2
54	13172754	THRUST COLLAR ASM.				2
55	13172705	THRUST COLLAR		*		1
56	SS8660610TP	SCREW 1/4-40 L=6		*		2
57	SS8090530TP	SCREW 9/64-40 L=5.0				2
58	CQ202000000	OIL WICK				0.09
59	SS8090530TP	SCREW 9/64-40 L=5.0				1
60	CQ252000000	OIL WICK				0.04
61	SD0280401SL	HINGE SCREW D=2.8 H=4				1
62	13175005	NEEDLE CLAMP 1-NEEDLE	FOR MO-6904C			1
63	13175203	NEEDLE CLAMP 2-NEEDLE	FOR MO-6914C			1

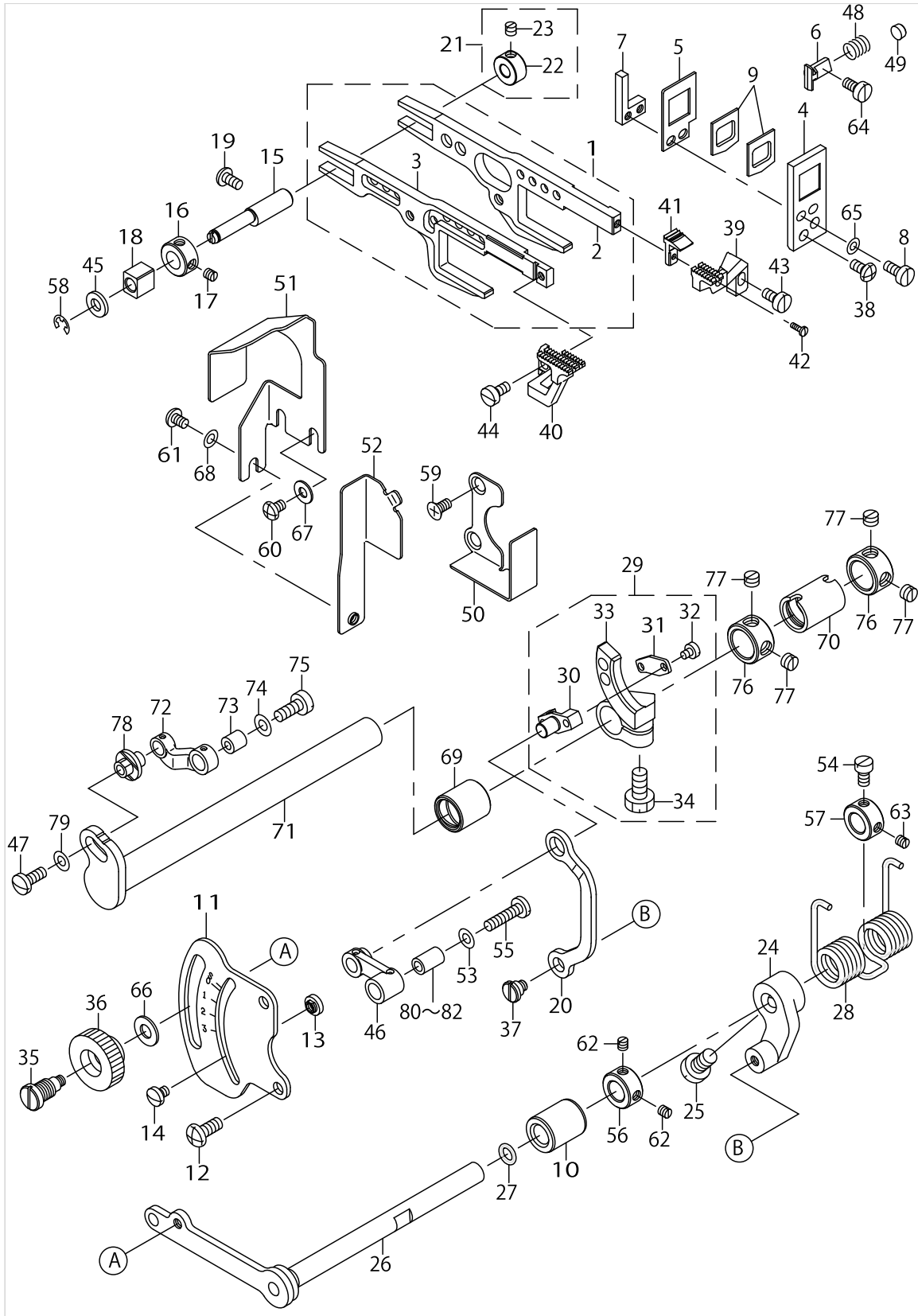
FEED MECHANISM COMPONENTS (1)



FEED MECHANISM COMPONENTS (1)

No.	Parts No.	Parts name	Remarks	Level	Cons	Qty
1	12208153	FEED CAM SUPPORT BASE				1
2	12208708	RATCHET GEAR		*		1
3	SS8110520TP	SCREW 11/64-40 L=4.5		*		1
4	SS6111110SP	SCREW 11/64-40 L=11.0		*		1
5	SD0260271SP	HINGE SCREW D=2.60 H=2.7		*		1
6	12208500	RATCHET PAWL		*		1
7	PS0300132KH	SPRING PIN 3X13		*		2
8	12208104	FEED ECCENTRIC BODY		*		1
9	SS6660710TP	SCREW 1/4-40 L=7		*		2
10	12208302	SLIDE BLOCK		*		1
11	12208203	FEED CAM		*		1
12	12208401	FEED ADJUSTING CAM		*		1
13	12208609	RATCHET PAWL SPRING				1
14	12208807	RATCHET GEAR SPRING				1
15	SS6080320SP	SCREW 1/8-44 L=2.5				1
16	12208906	CRANK ROD				1
17	SS7110910TP	SCREW 11/64-40 L=8.5				1
18	SB33500020A	BEARING	SELECTIVE PARTS			1
19	SB33500020B	BEARING	SELECTIVE PARTS			1
20	SB33500020C	BEARING	SELECTIVE PARTS			1
21	SB33500020D	BEARING	SELECTIVE PARTS			1
22	SB33500020E	BEARING	SELECTIVE PARTS			1
23	31256605	PUSH BOTTON STUD				1
24	31256803	SPRING				1
25	12118600	OIL SHEET				1
26	13286604	SLIDE BLOCK B				1
27	13122007	CRANK PIN A				1
28	13122106	CRANK PIN B				1
29	13122205	CRANK PIN C				1
30	13122304	CRANK PIN D				1
31	13285200	FEED BRANCH CRANK				1
32	SS9151210TP	SCREW 15/64-28 L=11.8				1
33	13286505	SLIDE BLOCK A				1
34	SB31200030A	BEARING	SELECTIVE PARTS			1
35	SB31200030B	BEARING	SELECTIVE PARTS			1
36	SB31200030C	BEARING	SELECTIVE PARTS			1
37	SB31200030D	BEARING	SELECTIVE PARTS			1
38	SB31200030E	BEARING	SELECTIVE PARTS			1
39	12211801	PUSH BOTTON CAP				1
40	RE0320000K0	E-RING 3.2				1

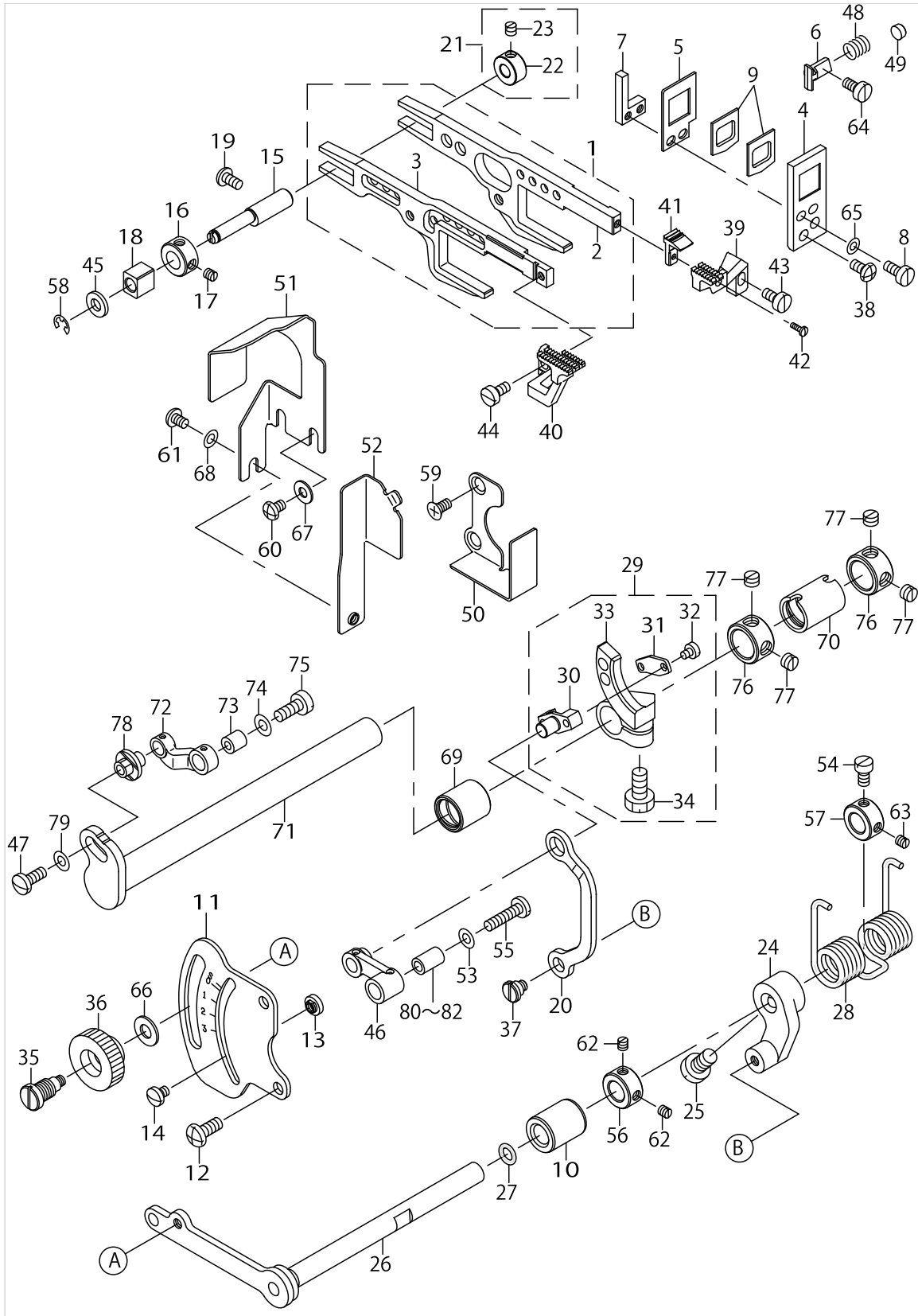
FEED MECHANISM COMPONENTS (2)



FEED MECHANISM COMPONENTS (2)

No.	Parts No.	Parts name	Remarks	Level	Cons	Qty
1	13285051	FEED ROCKER ASM.				1
2	13285002	MAIN FEED BAR		*		1
3	13285101	DIFFERENTIAL FEED BAR		*		1
4	13286000	RUBBER CASE				1
5	13285804	RUBBER PRESSER				1
6	13285606	FEED BAR SUPPORT RIGHT				1
7	13285705	FEED BAR SUPPOR LEFT				1
8	SS6090910TP	SCREW 9/64-40 L=9				2
9	13286109	DUST-PROOF RUBBER				2
10	13122700	ADJUSTING SHAFT METAL				1
11	12211603	DIFFERENTIAL FEED GRADUATION				1
12	SM4050855SP	SCREW				2
13	13121405	ADJUSTING STOPPER				2
14	SS7090540TP	SCREW 9/64-40 L=5				2
15	12210217	FEED BAR SUPPORT SHAFT				1
16	CS0790731SH	THRUST COLLAR				1
17	SS8110410TP	SCREW 11/64-40 L=3.5				1
18	12210308	SLIDE BLOCK				1
19	SM4040855SP	SCREW				1
20	13286406	ADJUSTING LINK				1
21	13121256	SUPPORT SHAFT COLLAR ASM.				1
22	13121207	SUPPORT SHAFT COLLAR		*		1
23	SS8110410TP	SCREW 11/64-40 L=3.5		*		1
24	31256100	DIFFERENTIAL FEED ROCKER				1
25	SS6660610TP	SCREW 1/4-40 L=6				1
26	40011238	ROCKER SHAFT ASM.				1
27	13170501	RUBBER RING				1
28	12211504	SPRING				1
29	12209458	SUB-FEED ARM ASM.				1
30	12209508	PIN		*		1
31	12209607	PIN COVER		*		1
32	SS6080410SP	SCREW 1/8-44 L=4		*		2
33	12209409	FEED ROCKER		*		1
34	SS9151210TP	SCREW 15/64-28 L=11.8		*		1
35	13217401	DIFFERENTIAL FEED HINGE SCREW				1
36	13217500	DIFFERENTIAL FEED LOCK NUT				1
37	40011571	DIFFERENTIAL FEED ADJUST LINK				1
38	SM4040855SP	SCREW				2
39	12235206	MAIN FEED DOG				1
40	12236709	DIFFERENTIAL FEED DOG				1
41	12238101	AUXILIARY FEED DOG				1
42	SS7060610SP	SCREW 3/32-56 L=5.5				1
43	SS6090810TP	SCREW 9/64-40 L=7.5				1
44	SS6090810TP	SCREW 9/64-40 L=7.5				1
45	13121108	WASHER				1
46	12209805	LINK				1
47	SS6111010TP	SCREW 11/64-40 L=9.5				1

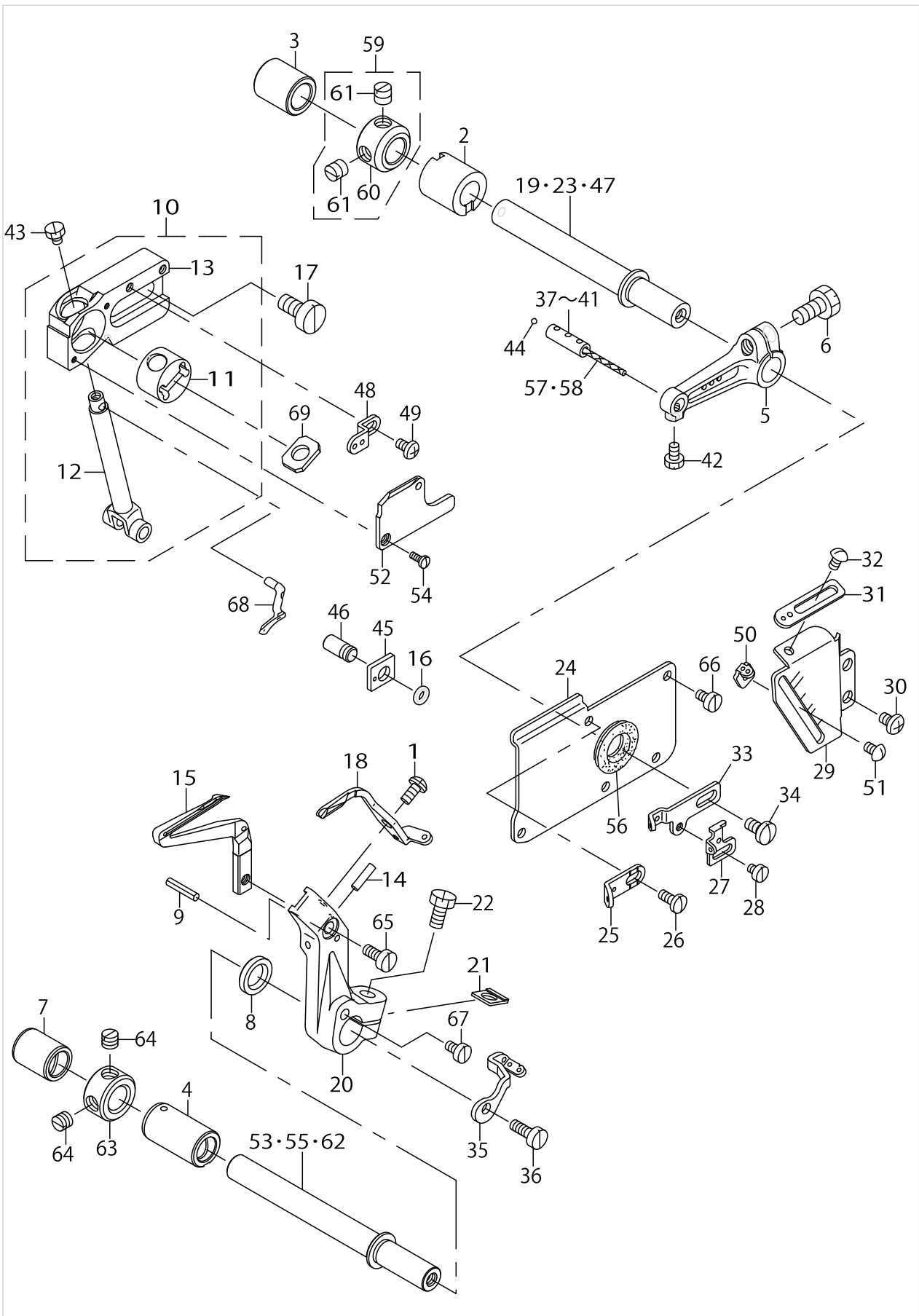
FEED MECHANISM COMPONENTS (2)



FEED MECHANISM COMPONENTS (2)

No.	Parts No.	Parts name	Remarks	Level	Cons	Qty
48	12210803	SPRING				1
49	TA0570301M0	PLUG D=5.7X6.1 L=3				1
50	13285309	OIL SHIELD PLATE A				1
51	13285408	OIL SHIELD PLATE B				1
52	13285507	OIL SHIELD PLATE C				1
53	WP0451026SH	WASHER				1
54	B1536804000	PIN				1
55	SS7111810TP	SCREW 11/64-40 L=18				1
56	CS0870811SH	THRUST COLLAR D=8.73 W=8				1
57	CS0870811SH	THRUST COLLAR D=8.73 W=8				1
58	RE0400000K0	E-RING 4				1
59	SM1040801SP	SCREW M4X0.7 L=8				2
60	SM4040655SP	SCREW M4 L=6				2
61	SM4040655SP	SCREW M4 L=6				1
62	SS8110410TP	SCREW 11/64-40 L=3.5				2
63	SS8110410TP	SCREW 11/64-40 L=3.5				1
64	SS6110820TP	SCREW 11/64-40 L=8				1
65	WP0371026SD	WASHER 3.7X7X1				2
66	WP0621016SD	WASHER 6.2X13X1				1
67	WP0450801SD	WASHER 4.5X10X0.8				2
68	WP0430800SD	WASHER M4				1
69	31255706	BUSHING FRONT				1
70	31255805	BUSHING REAR				1
71	12209102	ROCKER SHAFT				1
72	12209300	MAIN FEED LINK				1
73	B1620804000	COLLAR				1
74	31255300	FEED DRIVING SLIDE BLOCK WASHE				1
75	SS6121220TP	SCREW 3/16-28 L=11.5				1
76	CS1201012SH	THRUST COLLAR				2
77	SS8660410SP	SCREW 1/4-40 L=4.2				4
78	12209201	MAIN FEED PIN				1
79	B322877100B	BOBBIN WINDER SPACER				1
80	40011564	COLLAR A	SELECTIVE PARTS			1
81	40011565	COLLAR B	SELECTIVE PARTS			1
82	40011566	COLLAR C	SELECTIVE PARTS			1

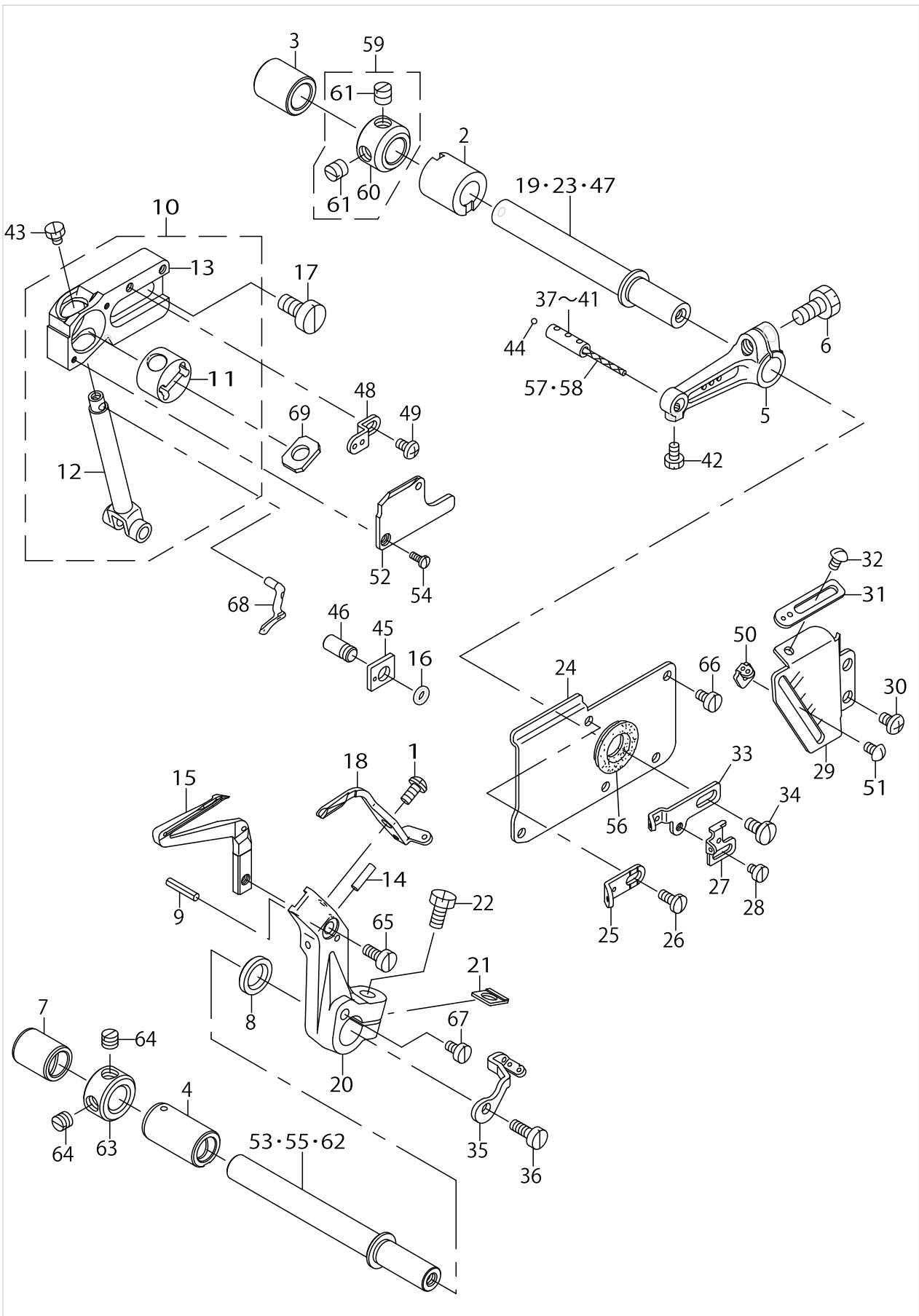
UPPER & LOWER LOOPER COMPONENTS



UPPER & LOWER LOOPER COMPONENTS

No.	Parts No.	Parts name	Remarks	Level	Cons	Qty
1	SS4080620TP	SCREW 1/8-44 L=6				1
2	13222609	LOOPER SHAFT FRONT BUSHING				1
3	13222708	LOOPER SHAFT REAR BUSHING				1
4	13288006	LOOPER SHAFT FRONT BUSHING				1
5	13289004	UPPER LOOPER ARM D				1
6	SS9151210TP	SCREW 15/64-28 L=11.8				1
7	13288105	LOOPER SHAFT REAR BUSHING				1
8	12215406	OIL SEAL				1
9	PS0200062KH	SPRING PIN 2X6				1
10	40026017	GUIDE SUPPORT ASM.				1
11	40011233	UPPER LOOPER GUIDE		*		1
12	40015636	UPPER LOOPER HOLDER		*		1
13	12214706	UPPER LOOPER GUIDE SUPPORT		*		1
14	31262801	HOOK COVER PRESSER SPRING PIN				1
15	12240107	LOWER LOOPER				1
16	13170600	RUBBER RING				1
17	SM6061200SP	SCREW M6 L=12				2
18	12240602	TRAVELING NEEDLE GUARD				1
19	13221403	UPPER LOOPER SHAFT A	SELECTIVE PARTS			1
20	12215307	LOWER LOOPER ARM				1
21	13129309	WASHER				1
22	SS9151210TP	SCREW 15/64-28 L=11.8				1
23	13221502	UPPER LOOPER SHAFT B	SELECTIVE PARTS			1
24	12215554	OIL SHIELD PLATE ASM.				1
25	12124202	UPPER LOOPER THREAD GUIDE				1
26	SS7090850SP	SCREW 9/64-40 L=8				1
27	12340709	LOWER LOOPER THREAD TAKE-UP				1
28	SS6080410SP	SCREW 1/8-44 L=4				1
29	13222401	LOOPER THREAD TAKE-UP COVER				1
30	SM4040655SP	SCREW M4 L=6				2
31	12340303	THREAD GUIDE RIGHT				1
32	SS3090610SP	SCREW 9/64-40 L=6				1
33	12340402	THREAD TAKE-UP RIGHT				1
34	SS7110840SP	SCREW 11/64-40 L=7.8				1
35	13287909	LOOPER THREAD TAKE-UP LEFT				1
36	SS6111140SP	SCREW 11/64-40 L=11				1
37	13131206	UPPER LOOPER HOLDER PIN A	SELECTIVE PARTS			1
38	13131305	UPPER LOOPER HOLDER PIN B	SELECTIVE PARTS			1
39	13131404	UPPER LOOPER HOLDER PIN C	SELECTIVE PARTS			1
40	13131503	UPPER LOOPER HOLDER PIN D	SELECTIVE PARTS			1
41	13131602	UPPER LOOPER HOLDER PIN E	SELECTIVE PARTS			1
42	SS9090610TP	SCREW 9/64-40 L=5.5				1
43	SS9090410TP	SCREW				1
44	13131701	OIL WICK STOPPER BALL				1
45	13131909	GUIDE SUPPORT GAUGE				1
46	13131800	GAUGE FIXING PIN				1
47	13221601	UPPER LOOPER SHAFT C	SELECTIVE PARTS			1

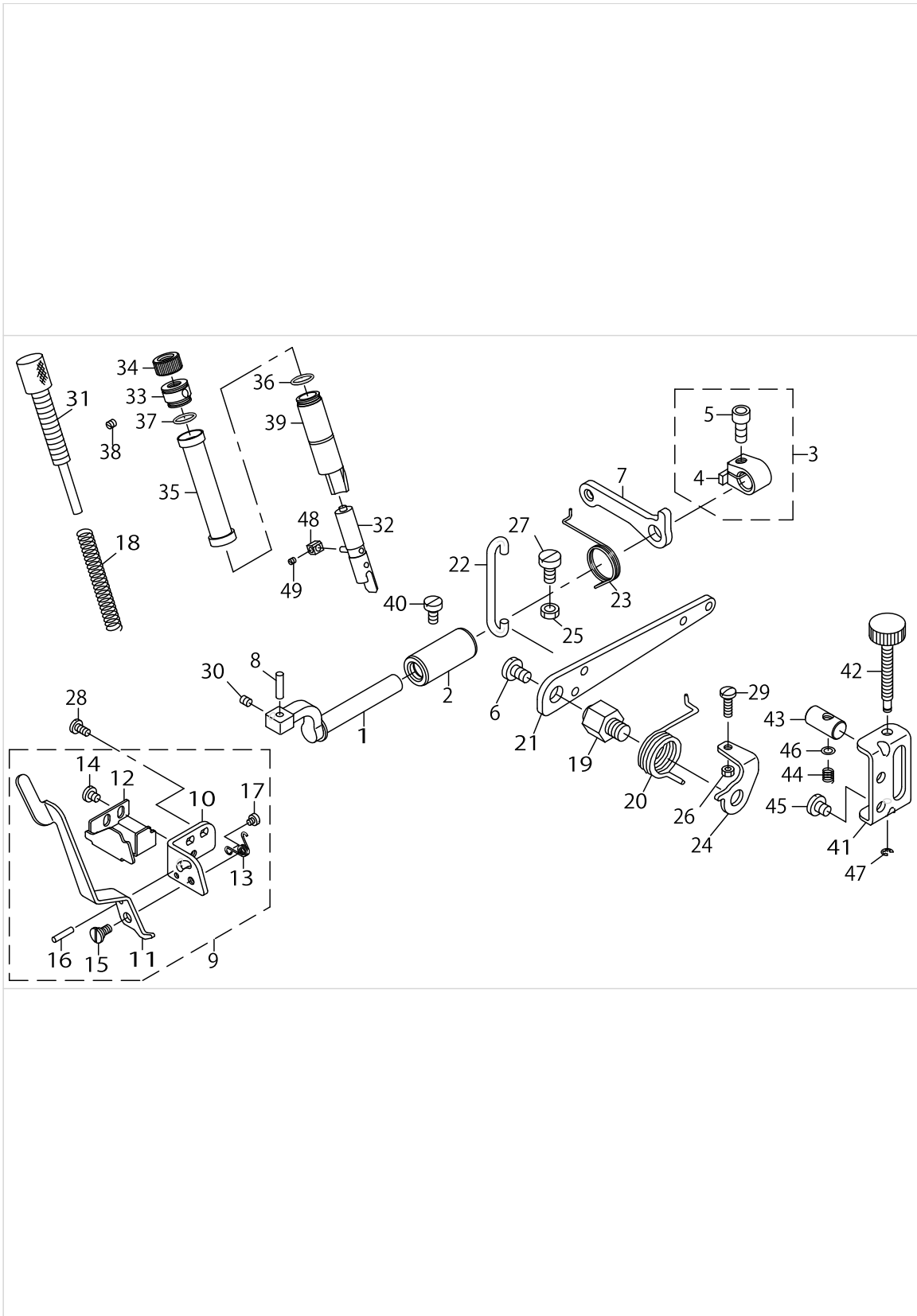
UPPER & LOWER LOOPER COMPONENTS



UPPER & LOWER LOOPER COMPONENTS

No.	Parts No.	Parts name	Remarks	Level	Cons	Qty
48	12215703	LOOPER THREAD GUIDE UPPER				1
49	SS4090615SP	SCREW 9/64-40 L=6				1
50	12340808	THREAD GUIDE				1
51	SS3090610SP	SCREW 9/64-40 L=6				1
52	12214805	UPPER LOOPER GUIDE COVER				1
53	13287503	LOWER LOOPER SHAFT A	SELECTIVE PARTS			1
54	SS7060610SP	SCREW 3/32-56 L=5.5				2
55	13287602	LOWER LOOPER SHAFT B	SELECTIVE PARTS			1
56	B2530704000	UPPER LOOPER SHAFT RUBBER RING				1
57	CQ200000000	OIL WICK				0.04
58	CQ202000000	OIL WICK				0.04
59	CS1031210SH	THRUST COLLAR ASM. D=10.32 W=12				1
60	CS1031219SH	THRUST COLLAR D=10.32 W=12		*		1
61	SS8660610TP	SCREW 1/4-40 L=6		*		2
62	13287701	LOWER LOOPER SHAFT C	SELECTIVE PARTS			1
63	CS1001011SH	THRUST COLLAR				1
64	SS8660530TP	SCREW 1/4-40 L=4.5				2
65	SS6090910TP	SCREW 9/64-40 L=9				1
66	SS6090630TP	SCREW 9/64-40 L=6				4
67	SS6090630TP	SCREW 9/64-40 L=6				1
68	12247102	UPPER LOOPER				1
69	40011234	DUST SEALING FELT				1

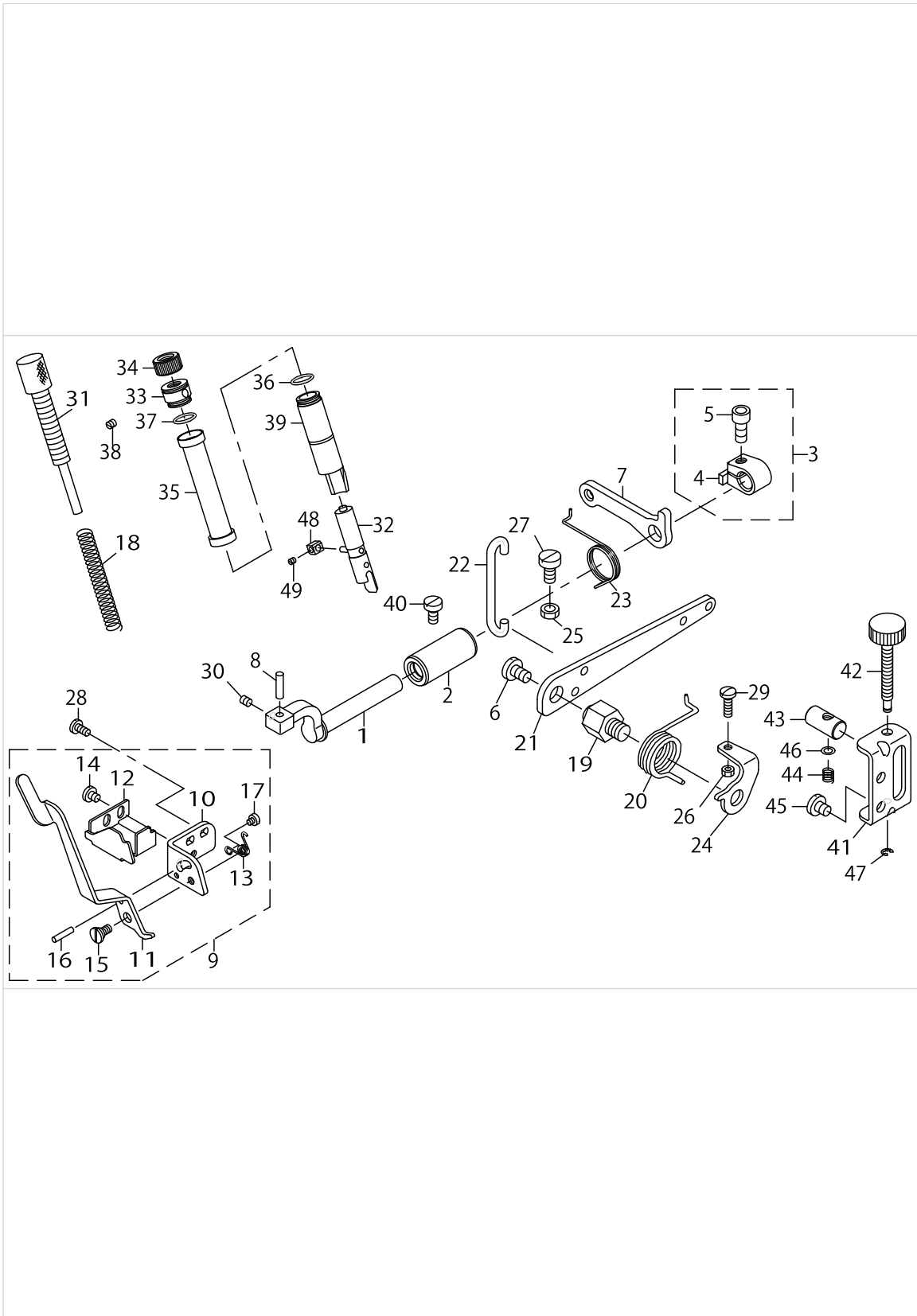
PRESSER FOOT COMPONENTS (1)



PRESSER FOOT COMPONENTS (1)

No.	Parts No.	Parts name	Remarks	Level	Cons	Qty
1	12113205	PRESSER FOOT SHAFT				1
2	13115100	PRESSER FOOT SHAFT BUSHING				1
3	40096182	THRUST ARM ASM.				1
4	40096181	THRUST ARM		*		1
5	SM6061402TP	SCREW M6 L=14		*		1
6	SS7161040SP	SCREW 1/4-24 L=9.5				1
7	13116801	LIFTING ARM				1
8	13115407	PRESSER FOOT ARM HINGE SHAFT				1
9	13115753	PRESSER LIFTING LEVER BASE ASM.				1
10	13115803	PRESSER LIFTING LEVER BASE		*		1
11	13115902	PRESSER LIFTING LEVER		*		1
12	13116009	PRESSER ARM STOPPER		*		1
13	13116108	PRESSER FOOT LIFTING SPRING		*		1
14	SS7110510SP	SCREW 11/64-40 L=5		*		2
15	SD0640241SP	HINGE SCREW D=6.35 H=2.4		*		1
16	PS0300142KH	SPRING PIN 0.3X14		*		1
17	SS6080340SP	SCREW 1/8-44 L=2.9		*		1
18	13116207	PRESSER FOOT SPRING				1
19	13117007	PRESSER LIFTING LEVER SCREW				1
20	12206702	LIFTING LEVER SPRING				1
21	13116900	PRESSER LIFTING LEVER				1
22	11819414	LIFTING HOOK				1
23	13116504	LIFTING LEVER ARM SPRING				1
24	12206603	LEVER STOPPER				1
25	NM6060003SC	NUT M6				1
26	NS6110420SP	NUT 11/64-40				1
27	SM6061200SP	SCREW M6 L=12				1
28	SS7110840SP	SCREW 11/64-40 L=7.8				2
29	SS7111410TP	SCREW 11/64-40 L=14				1
30	SM8050412TP	SCREW M5 L=4				1
31	40034897	PRESSER ADJUSTING SCREW				1
32	13115654	PRESSER BAR ASM.				1
33	12288700	PRESSER REGULATOR SCREW WASHER				1
34	13117106	PRESSER REGULATOR NUT				1
35	13212709	PRESSER BAR COVER				1
36	13170402	RUBBER RING				1
37	13170402	RUBBER RING				2
38	SM8040402TP	SCREW M4X0.7 L=4				1
39	13212501	PRESSER BAR BUSHING				1
40	SS6121020SP	SCREW 3/16-28 L=9.5				1
41	13283700	ADJUSTING BASE				1
42	13213012	ADJUSTING SCREW				1
43	13212915	ADJUSTING BLOCK				1
44	13123302	ADJUSTING SPRING				1
45	SS7150740SP	SCREW 15/64-28 L=7				2
46	WP0460556SD	WASHER 4.6X7.5X0.5				1
47	RE0300000K0	E-RING 3				1

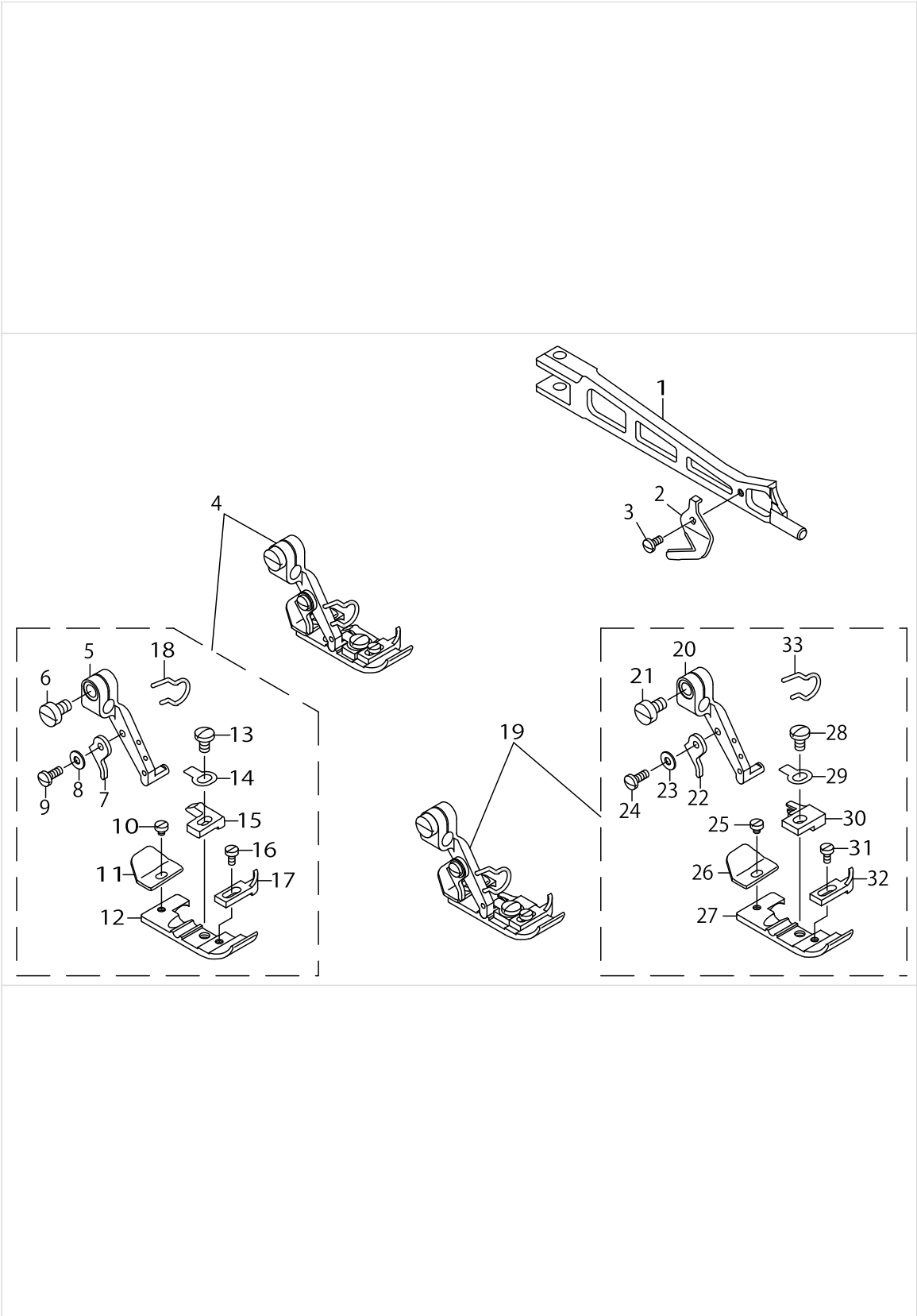
PRESSER FOOT COMPONENTS (1)



PRESSER FOOT COMPONENTS (1)

No.	Parts No.	Parts name	Remarks	Level	Cons	Qty
48	70004672	SLIDE BLOCK				1
49	SS8080310TP	SCREW 1/8-44 L=2.8				1

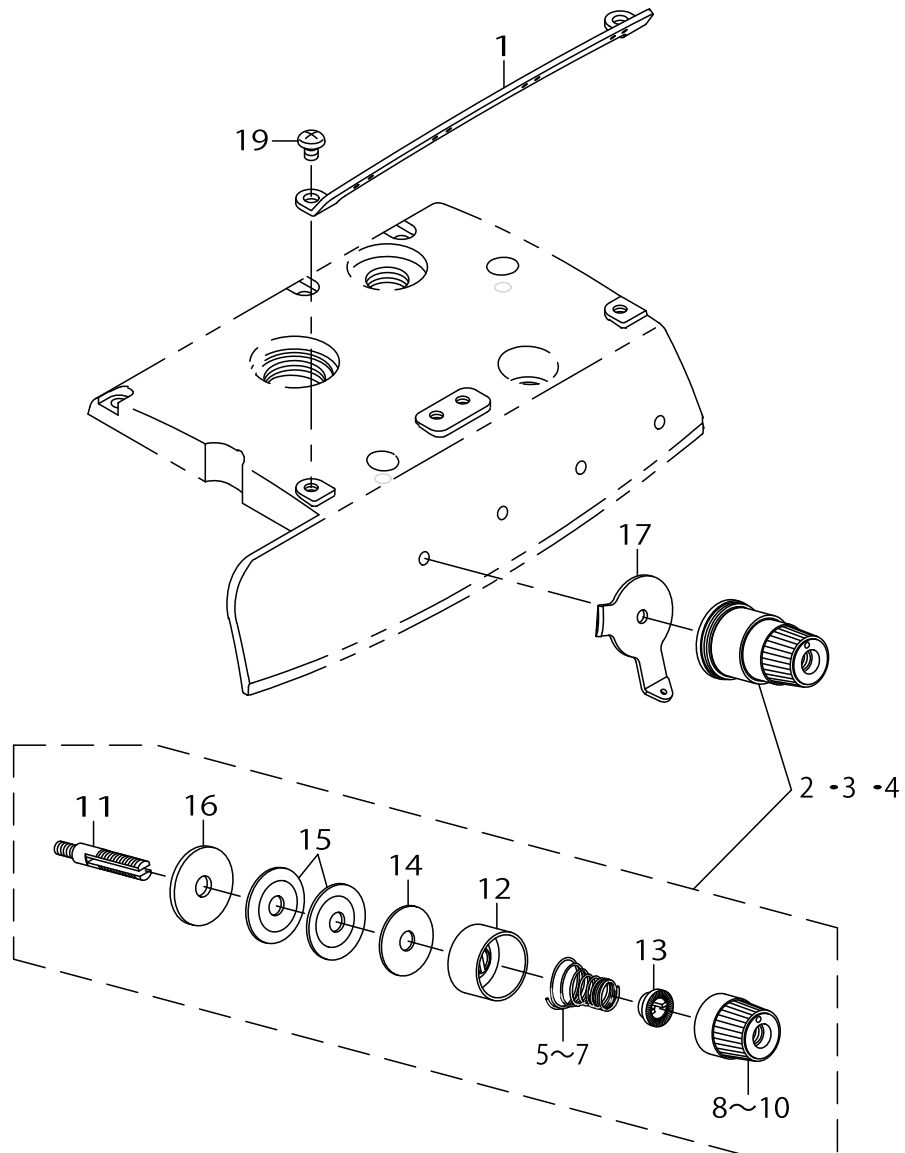
PRESSER FOOT COMPONENTS (2)



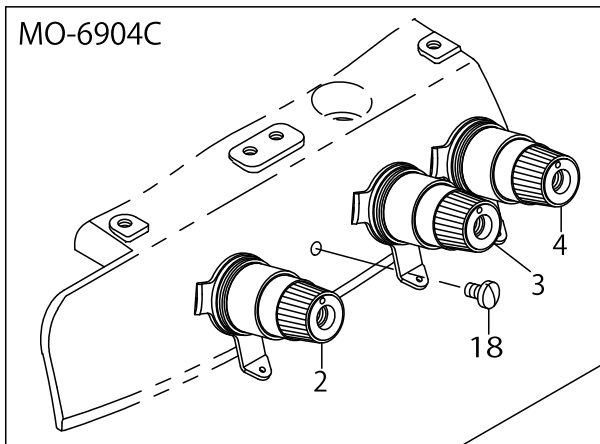
PRESSER FOOT COMPONENTS (2)

No.	Parts No.	Parts name	Remarks	Level	Cons	Qty
1	12253829	PRESSER FOOT ARM				1
2	13116702	THREAD TRIMMER				1
3	SS7060510SP	SCREW 3/32-56 L=4.8				1
4	12230165	PRESSER ASM.	FOR MO-6904C			1
5	11872009	PRESSER FOOT HINGE		*		1
6	SS6090670SP	SCREW 9/64-40 L=6		*		1
7	B1530804000	STOPPER		*		1
8	WP0250516SD	WASHER 2.5X6X0.5		*		1
9	SS7060610SP	SCREW 3/32-56 L=5.5		*		1
10	SS6060210SP	SCREW 3/32-56 L=1.9		*		1
11	B1511814000	REAR PRESSER FOOT		*		1
12	12232104	PRESSER FOOT		*		1
13	SS7080520SP	SCREW 1/8-44 L=4.9		*		1
14	B150880400B	SPRING		*		1
15	B1509804C00	STITCH TONGUE		*		1
16	SS6060440TP	SCREW 3/32-56 L=3.5		*		1
17	B1510814000	CURL GUARD		*		1
18	13178306	FINGER GUIDE		*		1
19	12230264	PRESSER ASM.	FOR MO-6914C			1
20	11872009	PRESSER FOOT HINGE		*		1
21	SS6090670SP	SCREW 9/64-40 L=6		*		1
22	B1530804000	STOPPER		*		1
23	WP0250516SD	WASHER 2.5X6X0.5		*		1
24	SS7060610SP	SCREW 3/32-56 L=5.5		*		1
25	SS6060210SP	SCREW 3/32-56 L=1.9		*		1
26	B1511814000	REAR PRESSER FOOT		*		1
27	12232104	PRESSER FOOT		*		1
28	SS7080520SP	SCREW 1/8-44 L=4.9		*		1
29	B150880400B	SPRING		*		1
30	B150981400P	STITCH TONGUE		*		1
31	SS6060440TP	SCREW 3/32-56 L=3.5		*		1
32	B1510814000	CURL GUARD		*		1
33	13178306	FINGER GUIDE		*		1

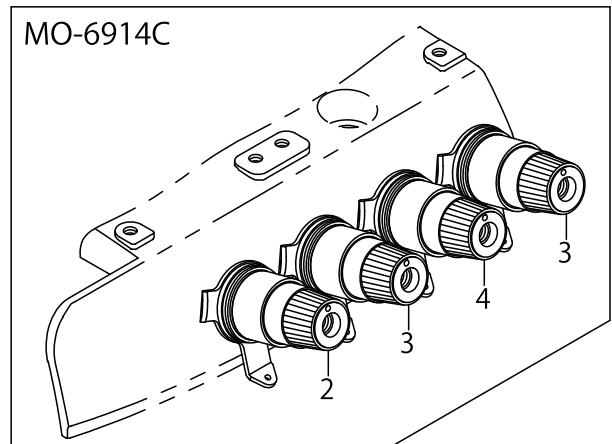
THREAD TENSION COMPONENTS



MO-6904C



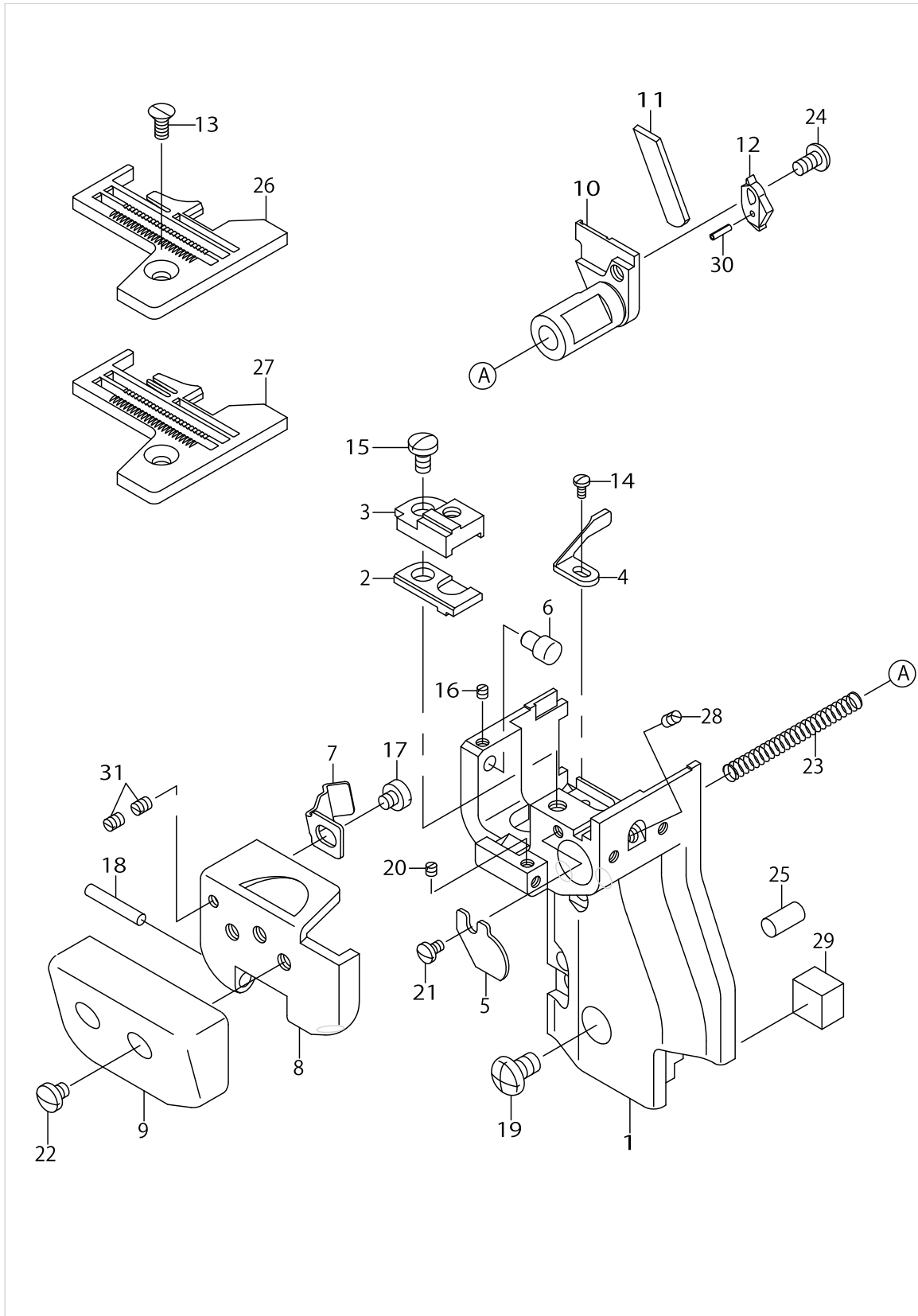
MO-6914C



THREAD TENSION COMPONENTS

No.	Parts No.	Parts name	Remarks	Level	Cons	Qty
1	13225008	CENTER THREAD GUIDE				1
2	12284758	THREAD TENSION SPRING JUNCTION				1
3	12284857	THREAD TENSION SPRING JUNCTION	FOR MO-6904C(1 PC. IS USED.) FOR MO-6914C(2 PC. ARE USED.)			1
4	12284956	THREAD TENSION SPRING JUNCTION				1
5	12284709	TENSION SPRING RED		*		1
6	12284808	TENSION SPRING YELLOW		*		1
7	12284907	TENSION SPRING BLUE	*		1	
8	12285003	THREAD TENSION KNOB RED	*		1	
9	12285102	THREAD TENSION KNOB YELLOW	*		1	
10	12285201	THREAD TENSION KNOB BLUE	*		1	
11	12285300	TENSION POST	*		1	
12	12285409	TENSION DISK PRESSER	*		1	
13	12285508	TENSION SPRING BUSHING	*		1	
14	12285607	THREAD TENSION SPRING FELT	*		1	
15	12285706	THREAD TENSION DISK	*		2	
16	12285805	THREAD TENSION RUBBER	*		1	
17	13225107	TESION DISK THREAD GUIDE				1
18	SS7110710SL	SCREW 11/64-40 L=7.0	FOR MO-6904C			1
19	SS4110615SP	SCREW 11/64-40 L=6				2

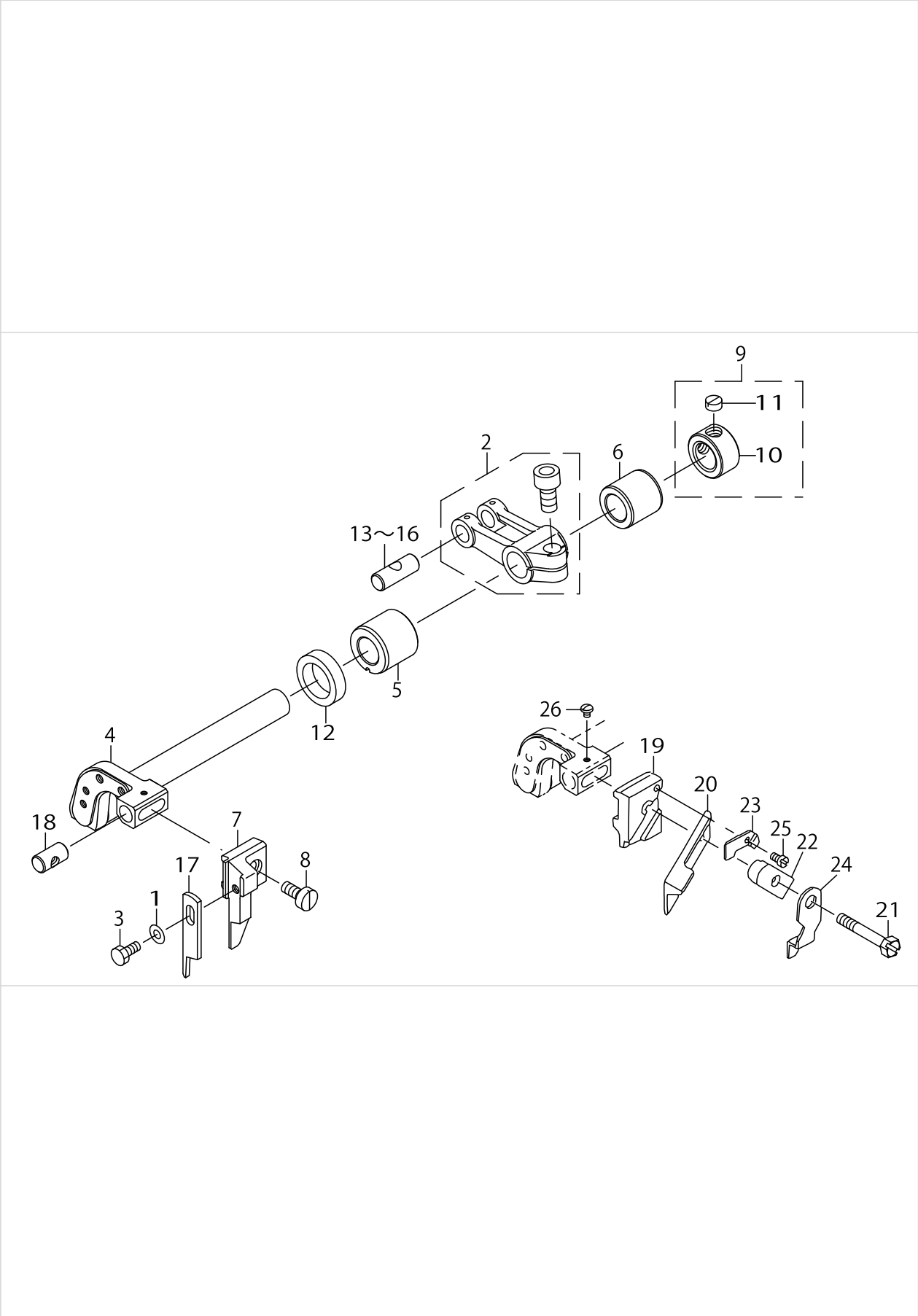
LOWER KNIFE COMPONENTS



LOWER KNIFE COMPONENTS

No.	Parts No.	Parts name	Remarks	Level	Cons	Qty
1	12219101	CYLINDER BRACKET				1
2	12219903	THRORT PLATE BASE LOWER				1
3	12219804	THRORT PLATE BASE UPPER				1
4	12240701	NEEDLE GUARD				1
5	31261100	SPRING STOPPER				1
6	31260607	PIN				1
7	12219507	SPRING				1
8	12219200	COVER BASE				1
9	31260359	CYLINDER COVER ASM.				1
10	31261001	LOWER KNIFE SLIDE STUD				1
11	12220307	LOWER KNIFE				1
12	12220208	LOWER KNIFE PRESSER PRATE				1
13	SS2110910SL	SCREW 11/64-40 L=9				1
14	SS7060510SP	SCREW 3/32-56 L=4.8				1
15	SS7110840SP	SCREW 11/64-40 L=7.8				1
16	SS8080310TP	SCREW 1/8-44 L=2.8				1
17	SS6110480SP	SCREW 11/64-40 L=4.3				1
18	11111705	WIPER SOLENOID PIN				1
19	SM4050855SP	SCREW				3
20	SS8080310TP	SCREW 1/8-44 L=2.8				1
21	SS7080520SP	SCREW 1/8-44 L=4.9				1
22	SS7110510SP	SCREW 11/64-40 L=5				2
23	31261209	SPRING				1
24	SS4110815SP	SCREW 11/64-40 L=8				1
25	12219705	PIN				2
26	R4300K6EE00	THROAT PLATE	FOR MO-6904C			1
27	R4305K6EE00	THROAT PLATE BE6	FOR MO-6914C			1
28	SS8110422TP	SCREW 11/64-40 L=4				1
29	12220604	BRACKET				1
30	PS0150065KP	SPRING PIN 1.5X6				1
31	SS8080410TP	SCREW 1/8-44 L=3.5				1

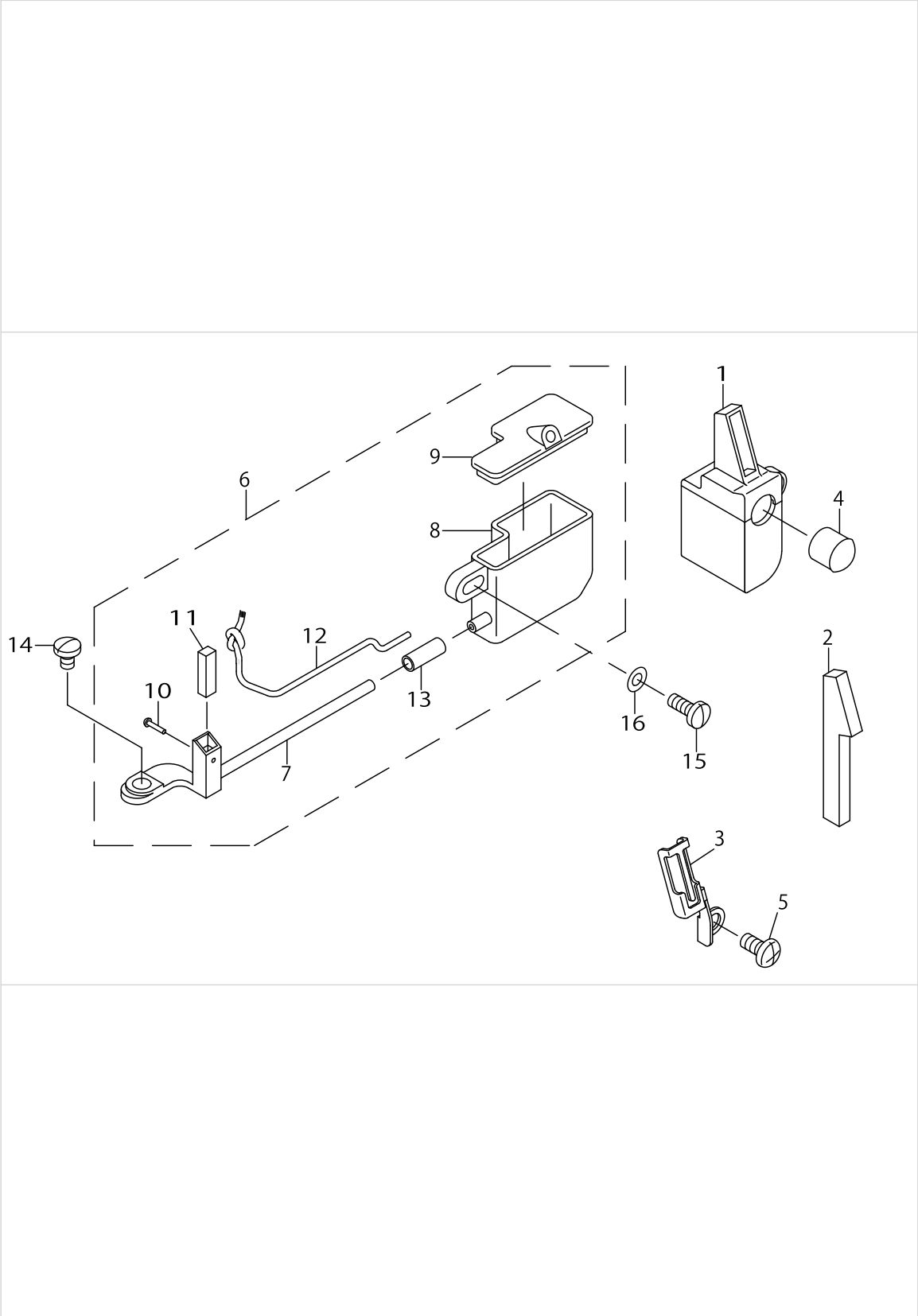
UPPER KNIFE COMPONENTS



UPPER KNIFE COMPONENTS

No.	Parts No.	Parts name	Remarks	Level	Cons	Qty
1	WP0370316SD	WASHER 3.7X8X0.3	EXCEPT JE			1
2	13147558	FEED FORKED ARM ASM.				1
3	SS9090823TP	BOLT 9/64-40 L=8	EXCEPT JE			1
4	13151303	KNIFE DRIVING ARM SHAFT				1
5	13150909	BUSHING FRONT				1
6	13151006	BUSHING REAR				1
7	13147400	PLAIN KNIFE SUPPORT A	EXCEPT JE			1
8	SS6111040SP	SCREW 11/64-40 L=9.5	EXCEPT JE			1
9	CS111101HSH	THRUST COLLAR ASM.				1
10	CS1111019SH	THRUST COLLAR D=11.11 W=10		*		1
11	SS8660330SP	SCREW 1/4-40 L=3.0		*		1
12	11566809	OIL SEAL				1
13	13122007	CRANK PIN A	SELECTIVE PARTS			1
14	13122106	CRANK PIN B	SELECTIVE PARTS			1
15	13122205	CRANK PIN C	SELECTIVE PARTS			1
16	13122304	CRANK PIN D	SELECTIVE PARTS			1
17	13150503	PLAIN KNIFE	EXCEPT JE			1
18	13150800	UPPER KNIFE GUIDE SHAFT				1
19	11598000	UPPER KNIFE SUPPORT	FOR JE			1
20	11845807	UPPER KNIFE	FOR JE			1
21	SS9111610SP	SCREW 11/64-40 L=16	FOR JE			1
22	11565504	UPPER KNIFE PRESSER PLATE	FOR JE			1
23	11565702	WASHER	FOR JE			1
24	11848405	UPPER KNIFE COVER	FOR JE			1
25	SS4060310SP	SCREW 3/32-56 L=2.5	FOR JE			1
26	SS4060310SP	SCREW 3/32-56 L=2.5	FOR JE			1

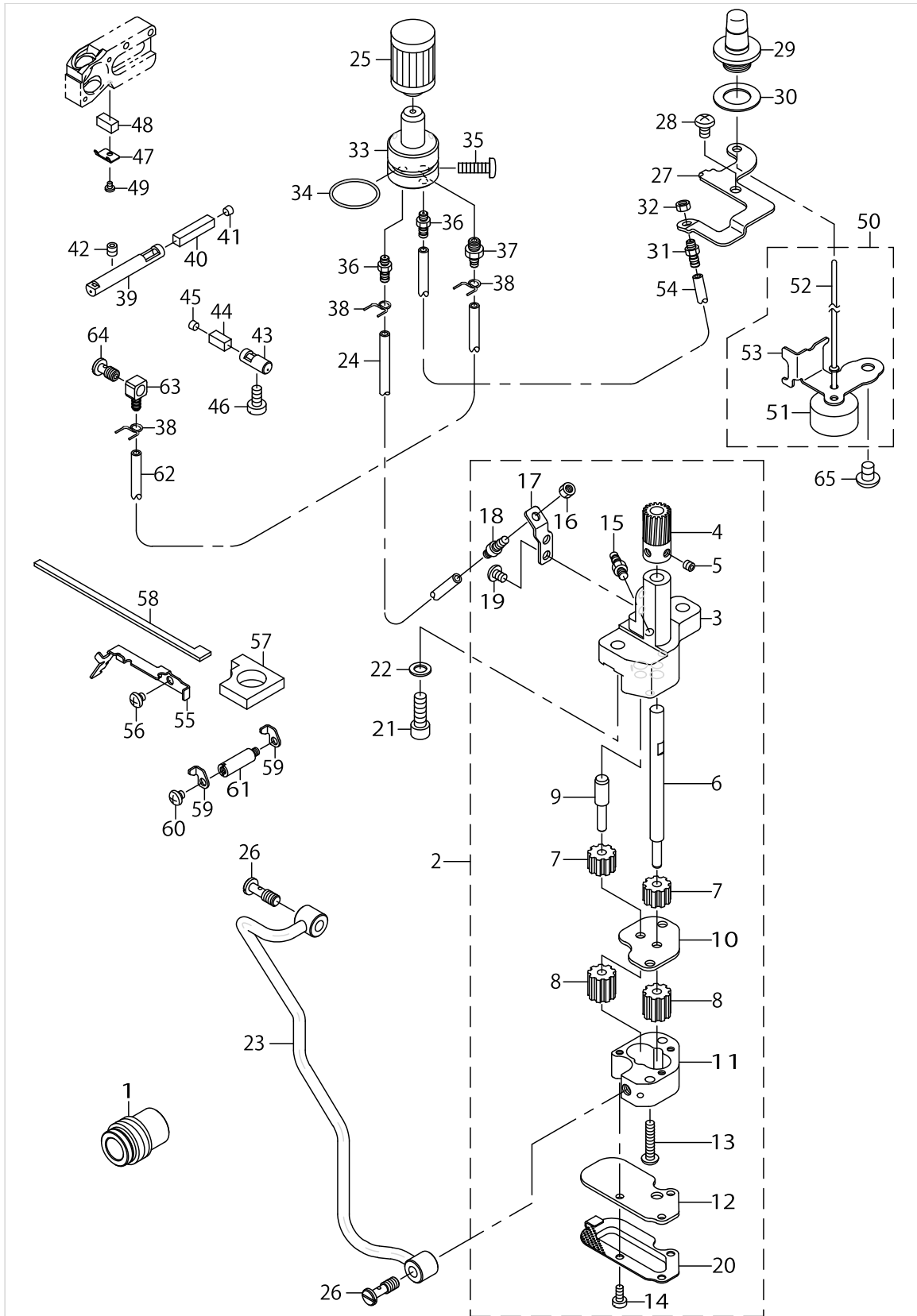
NEEDLE COOLING MECHANISM COMPONENTS



NEEDLE COOLING MECHANISM COMPONENTS

No.	Parts No.	Parts name	Remarks	Level	Cons	Qty
1	13163456	SILICON TANK ASM.				1
2	13163803	NEEDLE THREAD FELT				1
3	13163902	NEEDLE THREAD FELT PRESSER				1
4	TA0950806R0	RUBBER PLUG				1
5	SM4041055SP	SCREW				1
6	12224655	NEEDLE COOLER TANK ASM.				1
7	12224853	NEEDLE COOLER ASM.		*		1
8	12224606	TANK		*		1
9	12224705	TANK COVER		*		1
10	11856101	NEEDLE COOLER PIN		*		1
11	12225009	FELT		*		1
12	CQ200000000	OIL WICK		*		0.15
13	BT0400251ED	TUBE HOSE GREEN		*		0.02
14	SS7090540TP	SCREW 9/64-40 L=5				1
15	SS7090910SP	SCREW 9/64-40 L=8.5				1
16	WP0371026SD	WASHER 3.7X7X1				1

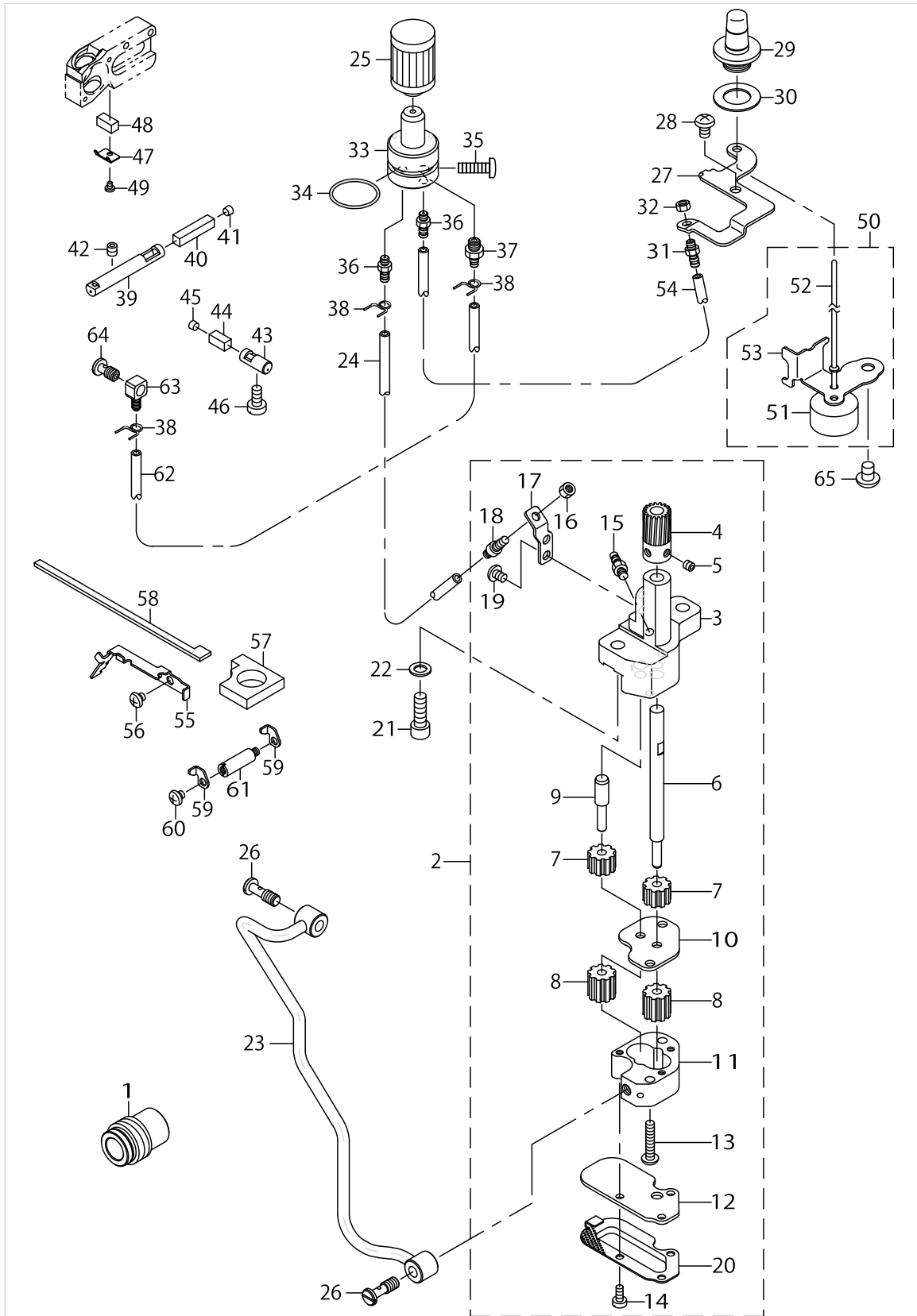
LUBRICATION MECHANISM COMPONENTS



LUBRICATION MECHANISM COMPONENTS

No.	Parts No.	Parts name	Remarks	Level	Cons	Qty
1	13230305	WORM				1
2	40018045	OIL PUMP ASM				1
3	12315909	OIL PUMP		*		1
4	13343009	WORM WHEEL		*		1
5	SM8050412TP	SCREW M5 L=4		*		2
6	11918109	GEAR PUMP SHAFT LARGE		*		1
7	B3534352000	PINION GEAR		*		2
8	11840303	OIL PUMP PINION		*		2
9	12317004	GEAR PUMP SHAFT		*		1
10	12316006	PINION SPACER		*		1
11	12316105	CASING		*		1
12	40016762	PUMP COVER		*		1
13	SS4112215SP	SCREW 11/64-40 L=22		*		2
14	SS6090810SP	SCREW 9/64-40 L=7.5		*		3
15	SQ1110401MZ	CONNECTING SCREW		*		1
16	NS6110310SP	NUT 11/64-40		*		1
17	12129318	CONNECTING SCREW BRACKET		*		1
18	SQ1110451MZ	CONNECTING SCREW		*		1
19	SS4110615SP	SCREW 11/64-40 L=6		*		2
20	40016763	PUMP NET		*		1
21	SM6061802TP	SCREW M6 L=18				2
22	WP0651056SD	WASHER 6.5X11X1				2
23	13294053	LUBRICATING PIPE ASM.				1
24	23630007	TUBE				0.25
25	13142500	CARTRIDGE FILTER				1
26	SQ1150454SD	CONNECTING SCREW				2
27	13143805	EXHAUST PORT SUPPORT				1
28	SM4050855SP	SCREW				1
29	13143300	OIL GAUGE				1
30	13144001	OIL GAUGE GASKET				1
31	SQ1110451MZ	CONNECTING SCREW				1
32	NS6110310SP	NUT 11/64-40				1
33	13142955	FILTER GUIDE ASM.				1
34	13170808	RUBBER RING				1
35	SM4051601SC	SCREW M5X0.8 L=16				1
36	SQ1110451MZ	CONNECTING SCREW				2
37	SQ1150451MZ	CONNECTING SCREW				1
38	13142609	OIL TUBE HOLDER				3
39	13144100	OILING PIN				1
40	13144209	OIL FELT				1
41	TA0400301M0	PLUG D=4X4.5 L=3				1
42	SM8050502TP	SCREW M5 L=5				1
43	13143417	OILING PIN				1
44	13143508	OIL FELT				1
45	13230107	PLUG				1
46	SS6121020SP	SCREW 3/16-28 L=9.5				1
47	13143607	OIL FELT PRESSER				1

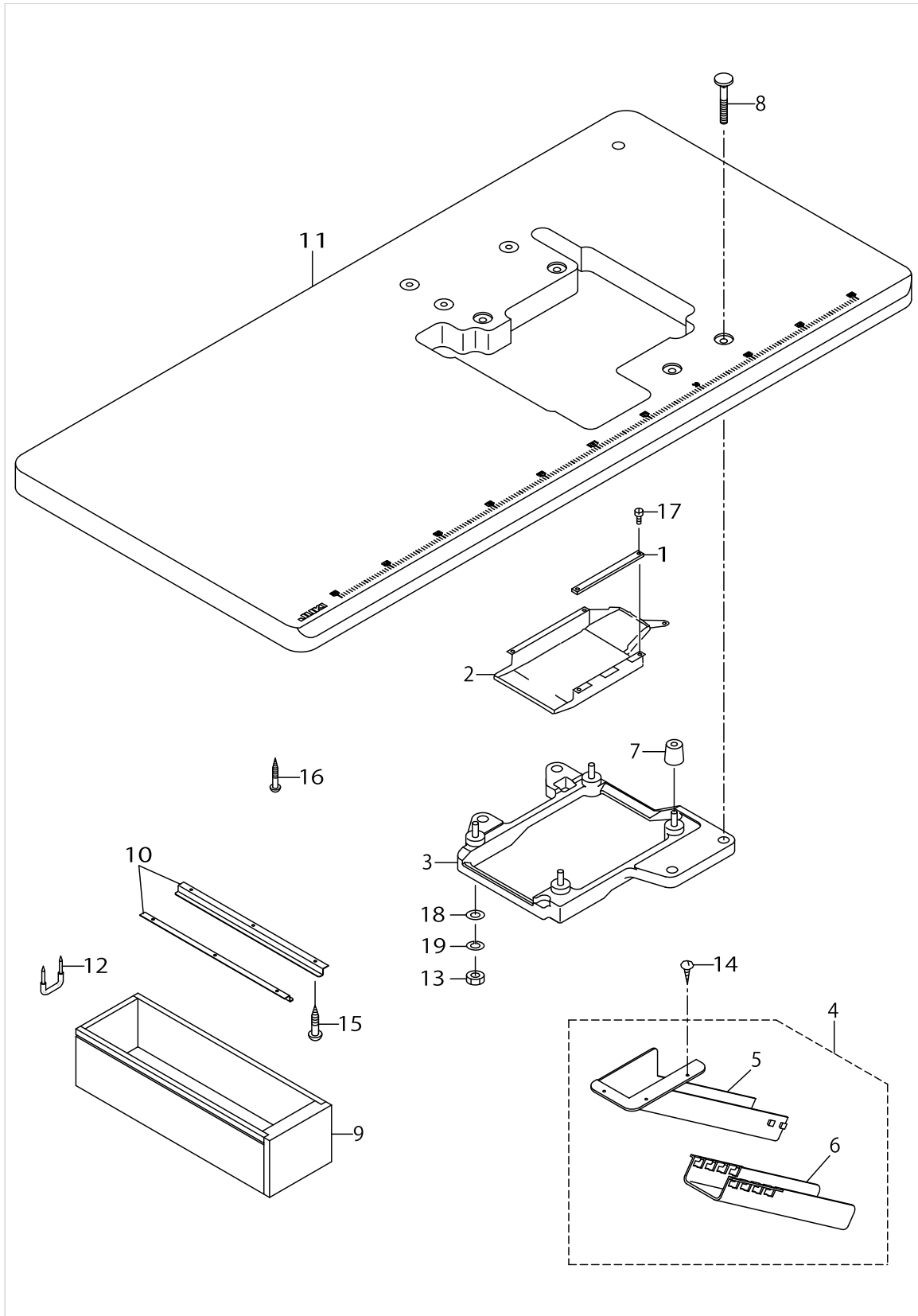
LUBRICATION MECHANISM COMPONENTS



LUBRICATION MECHANISM COMPONENTS

No.	Parts No.	Parts name	Remarks	Level	Cons	Qty
48	13143706	OIL FELT				1
49	SS7060310SP	SCREW 3/32-56 L=3				1
50	13229356	FLOAT ASM.				1
51	12129805	FLOAT		*		1
52	12129904	OIL GAUGE BAR		*		1
53	13229307	FLOAT SUPPORT		*		1
54	23630007	TUBE				0.14
55	13228804	OIL FELT GUIDE				1
56	31018005	SCREW				2
57	13229109	OIL FELT B				1
58	13229406	OIL FELT A				1
59	13228903	OIL FELT PRESSER				2
60	31018005	SCREW				1
61	13229000	FELT PRESSER SPACER				1
62	BP30000010R	VINYL PIPE				0.22
63	SQ0000451MZ	CONNECTING SCREW				1
64	SQ1150441SD	CONNECTING SCREW				1
65	SM4060801SE	SCREW				1

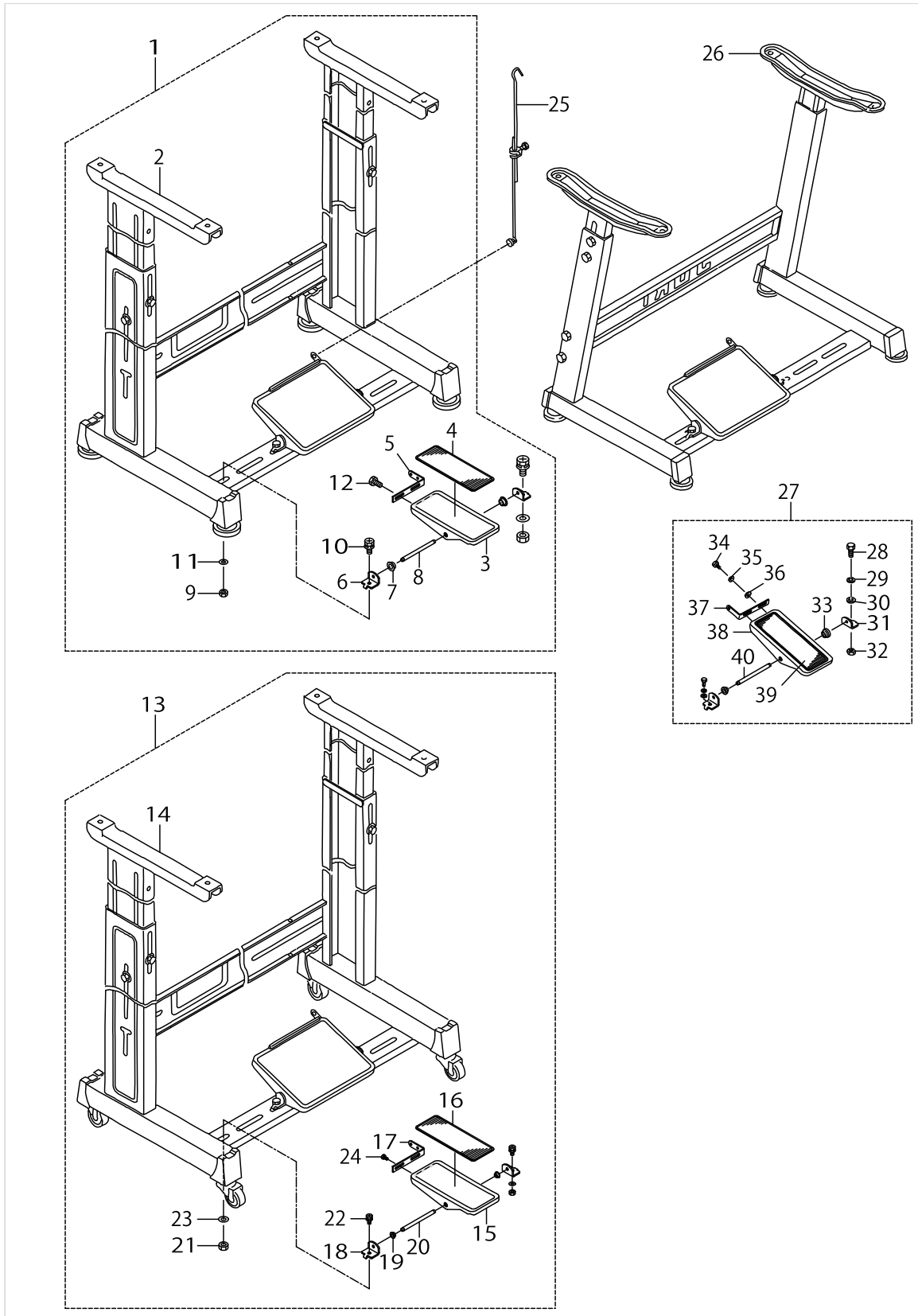
SEMI-SUNKEN TYPE TABLE COMPONENTS



SEMI-SUNKEN TYPE TABLE COMPONENTS

No.	Parts No.	Parts name	Remarks	Level	Cons	Qty
1	11850815	CASE SPONGE				1
2	12221800	COOLING FAN CASE				1
3	12221750	FRAME SUPPORT PLATE ASM.				1
4	12341954	CLOTH WASTE CHUTE ASM.				1
5	12341905	CLOTH WASTE CHUTE(SEMI-SUNKEN)		*		1
6	12341806	CLOTH WASTE CHUTE		*		1
7	13155403	DUST-PROOF RUBBER				4
8	13155007	HOLDING PLATE BOLT				4
9	11155108	DRAWER				1
10	11155207	DRAWER SUPPORT				2
11	12221602	TABLE(SEMI-SUNKEN)				1
12	D8204555D00	DRAWER STOPPER				1
13	NS6240630SE	NUT 3/8-18				4
14	SK2351600SC	WOOD SCREW D=3.5 L=16				3
15	SK3311500SC	WOOD SCREW D=3.1 L=15				6
16	SK3513200SC	WOOD SCREW D=5.1 L=32				4
17	SS6090630TP	SCREW 9/64-40 L=6				4
18	WP1002036SE	WASHER 10X21X2				4
19	WS1002560KR	SPRING WASHER 10X18X2.5				4

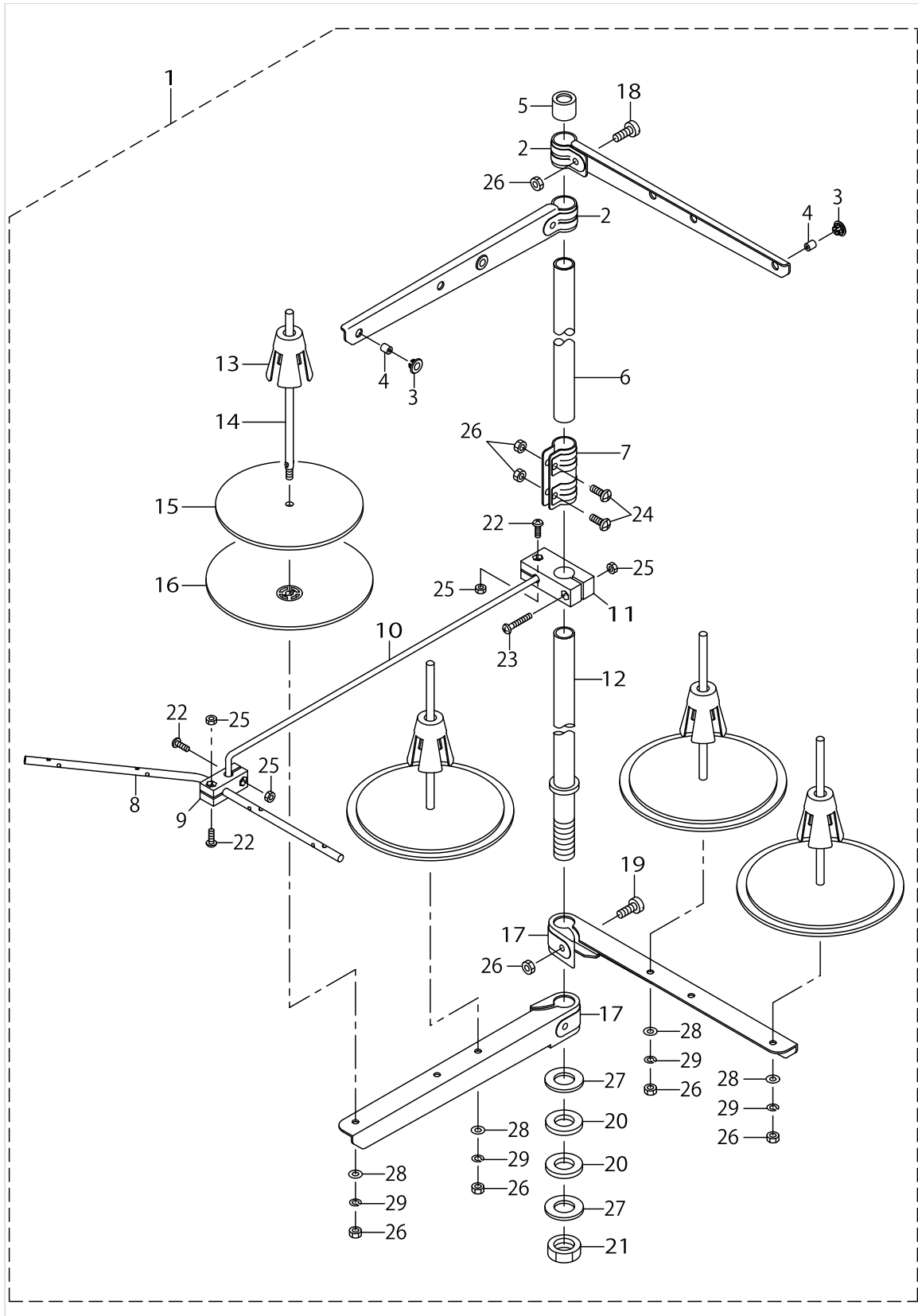
STAND COMPONENTS (Z-T)



STAND COMPONENTS (Z-T)

No.	Parts No.	Parts name	Remarks	Level	Cons	Qty
1	11960655	T STAND JUNCTION				1
2	11157567	T LEG JUNCTION		*		1
3	GPF06060000	PEDAL		*		1
4	GPF06070000	PEDAL MAT		*		1
5	GPF06080000	PEDAL ADJUSTING PLATE		*		1
6	11159001	PEDAL SHAFT BRACKET		*		2
7	D8113555B00	PEDAL BUSHING		*		2
8	B8153771000	PEDAL CONNECTING ROD		*		1
9	NM6080001SE	NUT M8		*		2
10	SL9082091SE	WASHER HEXAGONAL BOLT		*		2
11	WP0871602SE	WASHER 8.7X18X1.6		*		2
12	SL9061291SE	WASHER HEXAGONAL BOLT M6 L=12		*		2
13	11960754	T STAND JUNCTION(WITH CASTER)				1
14	11159365	T STAND JUNCTION		*		1
15	GPF06060000	PEDAL		*		1
16	GPF06070000	PEDAL MAT		*		1
17	GPF06080000	PEDAL ADJUSTING PLATE		*		1
18	11159001	PEDAL SHAFT BRACKET		*		2
19	D8113555B00	PEDAL BUSHING		*		2
20	B8153771000	PEDAL CONNECTING ROD		*		1
21	NM6080001SE	NUT M8		*		2
22	SL9082091SE	WASHER HEXAGONAL BOLT		*		2
23	WP0871602SE	WASHER 8.7X18X1.6		*		2
24	SL9061291SE	WASHER HEXAGONAL BOLT M6 L=12		*		2
25	B71140120A0	MOTOR CONNECTING ROD ASM.				1
26	11151065	Z LEG JUNCTION (B)				1
27	B81517710A0	PEDAL ASM.				1
28	SM9082023SE	SCREW M8 L=20		*		2
29	WS0861410KR	SPRING WASHER 8.6X15X1.4		*		2
30	WP0871602SE	WASHER 8.7X18X1.6		*		4
31	11151909	PEDAL SHAFT BRACKET		*		2
32	NM6080721SE	NUT M8		*		2
33	D8113555B00	PEDAL BUSHING		*		2
34	SM9061203SE	SCREW M6 L=12		*		2
35	WS0621210KR	SPRING WASHER 6.2X11.4X1.2		*		2
36	WP0671016SE	WASHER 6.7X13X1		*		2
37	11246600	PEDAL ADJUSTING PLATE		*		1
38	11246501	PEDAL		*		1
39	B8152771000	PEDAL MAT		*		1
40	B8153771000	PEDAL CONNECTING ROD		*		1

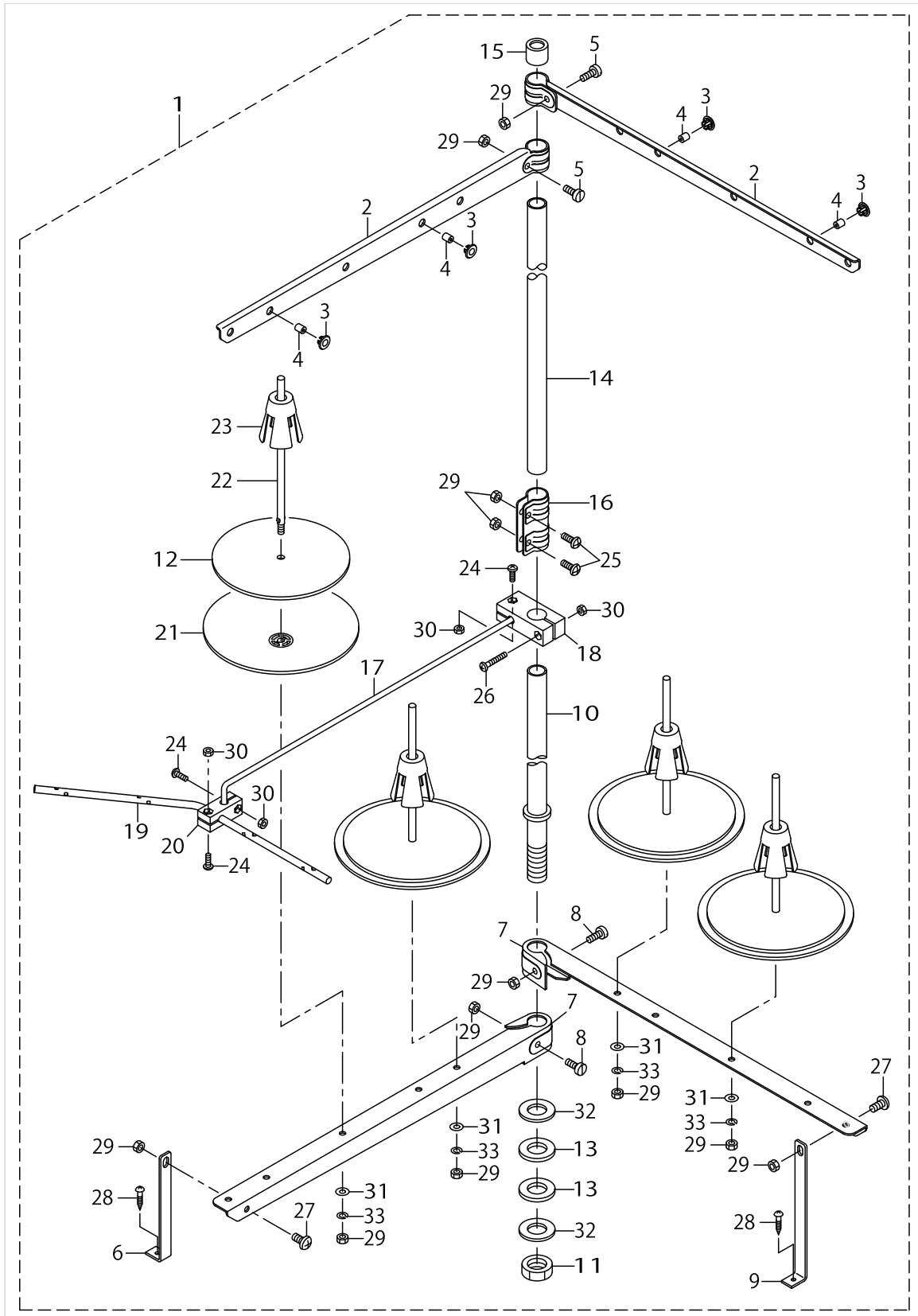
THREAD STAND COMPONENTS



THREAD STAND COMPONENTS

No.	Parts No.	Parts name	Remarks	Level	Cons	Qty
1	40106584	THREAD STAND PACKING				1
2	40085787	SPOOL REST ARM UPPER		*		2
3	40085795	THREAD GUIDE BUSHING		*		4
4	40085794	THREAD GUIDE		*		4
5	40085793	SPOOL REST ROD RUBBER CAP		*		1
6	40085785	SPOOL REST ROD UPPER		*		1
7	40085792	SPOOL REST ROD JOINT		*		1
8	40106582	THREAD GUIDE 4		*		1
9	40106580	THREAD GUIDE UNDER BASE		*		1
10	40106576	THREAD GUIDE ARM		*		1
11	40106579	THREAD GUIDE ARM BASE		*		1
12	40085784	SPOOL REST ROD LOWER		*		1
13	40085791	SPOOL RETAINER		*		4
14	40085790	SPOOL PIN		*		4
15	40085789	SPOOL REST CUSHION		*		4
16	40085788	SPOOL REST		*		4
17	40085786	SPOOL REST ARM LOWER		*		2
18	40096327	SPOOL REST ARM UPPER SCREW		*		2
19	40096326	SPOOL REST ARM LOWER SCREW		*		2
20	40085796	SPOOL REST ROD RUBBER CUSHION		*		2
21	40096325	SPOOL REST ROD NUT		*		1
22	SM4041201SC	SCREW M4 L=12		*		3
23	SM4042501SC	SCREW M4X0.7 L=25		*		1
24	SM4051405SE	SCREW M5 L=14		*		2
25	NM6040002SC	NUT M4		*		4
26	NM6050001SE	NUT M5		*		10
27	WP1612616SE	WASHER 16X30X2.6		*		2
28	WP0531001SC	WASHER M5		*		4
29	WS0510002KN	SPRING WASHER M5		*		4

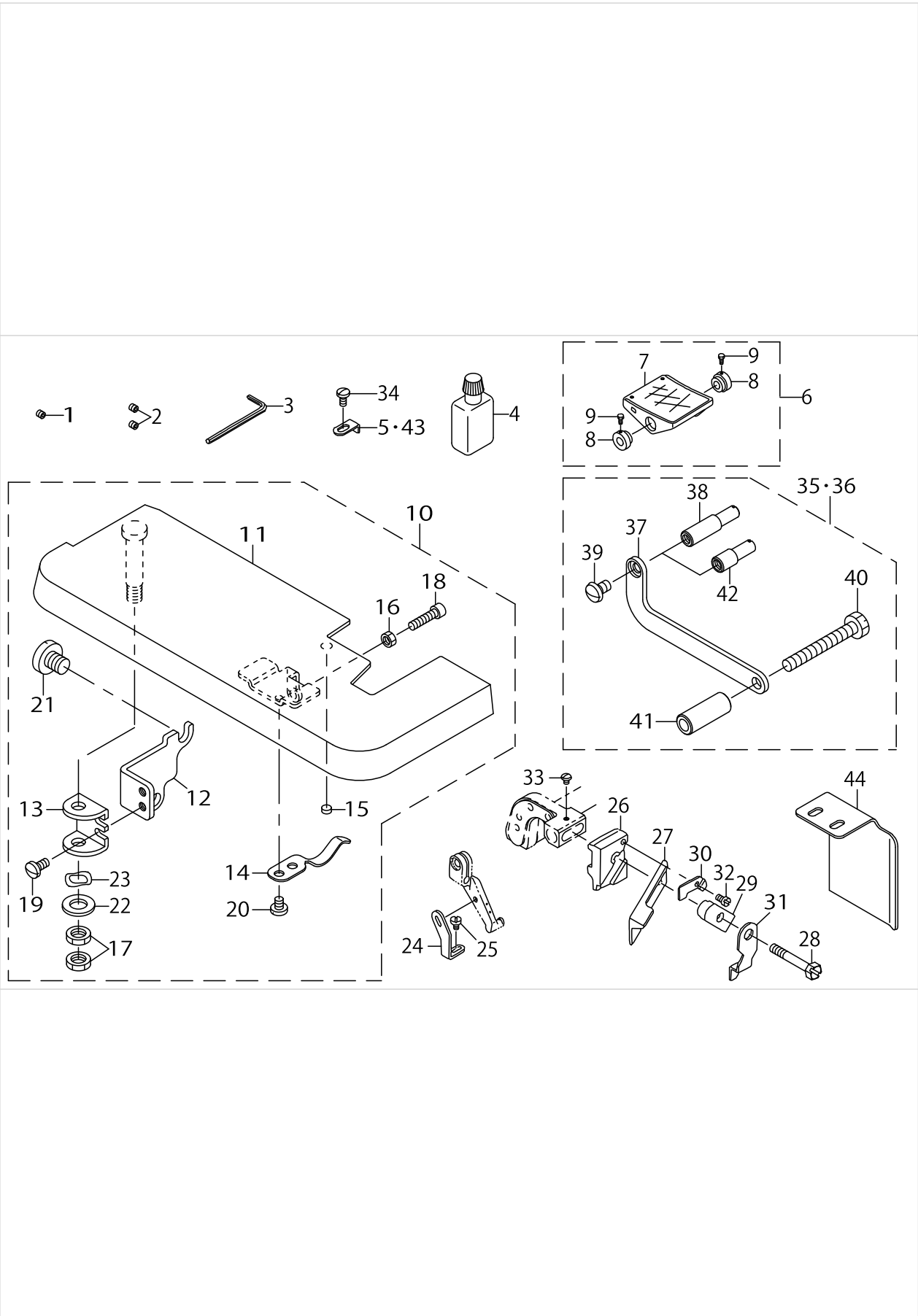
THREAD STAND COMPONENTS (SPECIAL ORDER PARTS)



THREAD STAND COMPONENTS (SPECIAL ORDER PARTS)

No.	Parts No.	Parts name	Remarks	Level	Cons	Qty
1	40106587	THREAD STAND PACKING				1
2	40106575	SPOOL REST LONG ARM UPPER		*		2
3	40085795	THREAD GUIDE BUSHING		*		4
4	40085794	THREAD GUIDE		*		4
5	40096327	SPOOL REST ARM UPPER SCREW		*		2
6	40106577	SPOOL REST ARM LOWER A		*		1
7	40106574	SPOOL REST LONG ARM LOWER		*		2
8	40096326	SPOOL REST ARM LOWER SCREW		*		2
9	40106578	SPOOL REST ARM LOWER B		*		1
10	40085784	SPOOL REST ROD LOWER		*		1
11	40096325	SPOOL REST ROD NUT		*		1
12	40085789	SPOOL REST CUSHION		*		4
13	40085796	SPOOL REST ROD RUBBER CUSHION		*		2
14	40085785	SPOOL REST ROD UPPER		*		1
15	40085793	SPOOL REST ROD RUBBER CAP		*		1
16	40085792	SPOOL REST ROD JOINT		*		1
17	40106576	THREAD GUIDE ARM		*		1
18	40106579	THREAD GUIDE ARM BASE		*		1
19	40106582	THREAD GUIDE 4		*		1
20	40106580	THREAD GUIDE UNDER BASE		*		1
21	40085788	SPOOL REST		*		4
22	40085790	SPOOL PIN		*		4
23	40085791	SPOOL RETAINER		*		4
24	SM4041201SC	SCREW M4 L=12		*		3
25	SM4051405SE	SCREW M5 L=14		*		2
26	SM4042501SC	SCREW M4X0.7 L=25		*		1
27	SM4051001SE	SCREW M5 L=10		*		2
28	SK3412001SE	WOOD SCREW D=4.1 L=20		*		2
29	NM6050001SE	NUT M5		*		12
30	NM6040002SC	NUT M4		*		4
31	WP0531001SC	WASHER M5		*		4
32	WP1612616SE	WASHER 16X30X2.6		*		2
33	WS0510002KN	SPRING WASHER M5		*		4

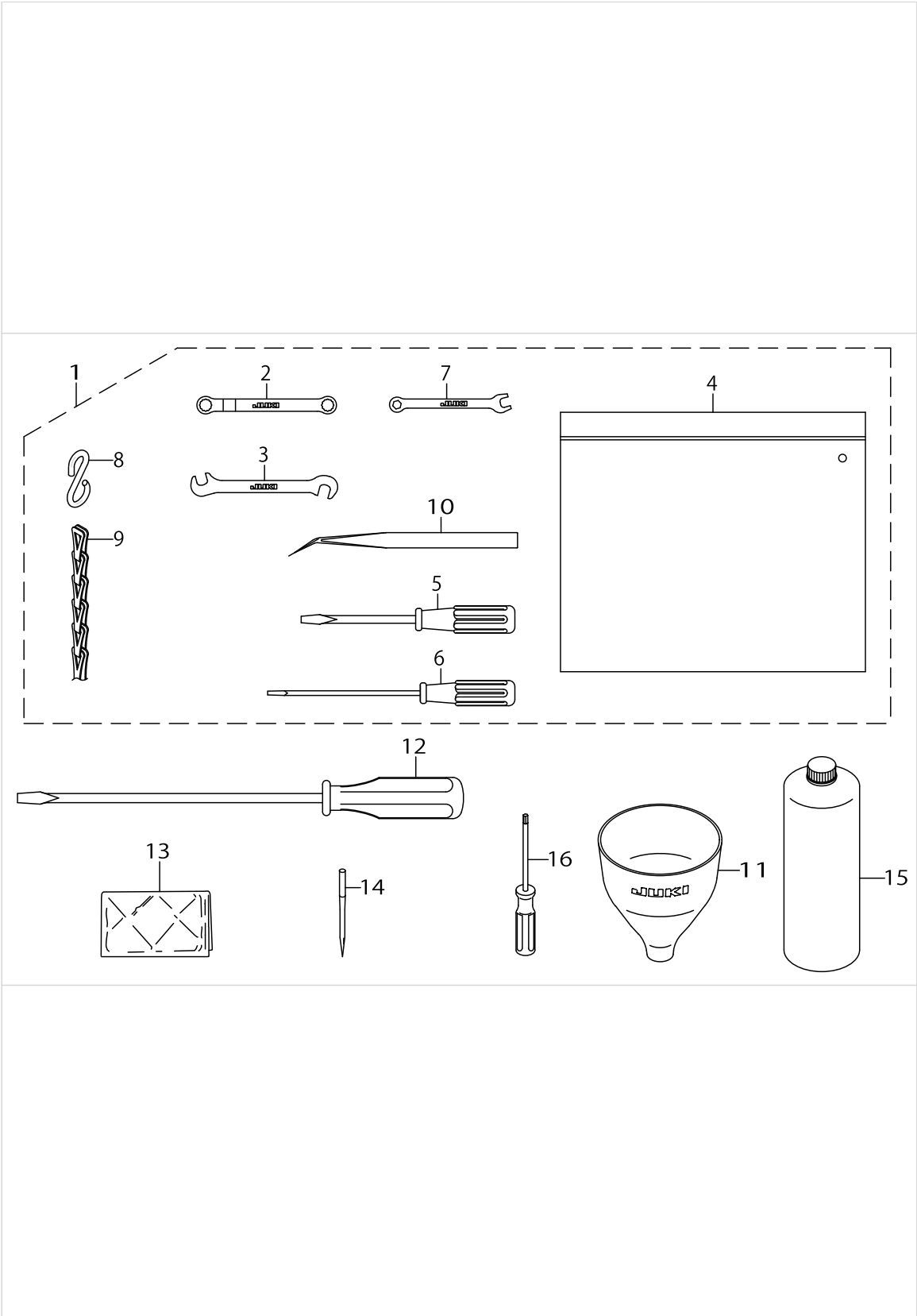
SPECIAL ORDER PARTS COMPONENTS



SPECIAL ORDER PARTS COMPONENTS

No.	Parts No.	Parts name	Remarks	Level	Cons	Qty
1	SS8080322TP	SCREW 1/8-44 L=3.2	FOR MO-6904C			1
2	SS8080322TP	SCREW 1/8-44 L=3.2	FOR MO-6914C			2
3	B9112804000	SPANNER				1
4	B91351230B0	SILICON OIL LUBRICANT ASM. (30CC)				1
5	11898103	PRESSER FOOT AUXILIARY PLATE	FOR MO-6904C			1
6	11965753	PEDAL ASM.				1
7	11965704	PEDAL		*		1
8	11965803	PEDAL THRUST COLLAR		*		2
9	SM9061203SE	SCREW M6 L=12		*		2
10	12226155	CLOTH BASE ASM.				1
11	12226163	CLOTH BASE ASM.		*		1
12	12226304	FITTING PLATE A		*		1
13	12226403	FITTING PLATE B		*		1
14	12226502	CLOTH BASE SPRING		*		1
15	11806304	PLUG		*		1
16	NS6110310SP	NUT 11/64-40		*		1
17	NS6680320SP	NUT 9/32-28		*		2
18	SS6111610SP	SCREW 11/64-40 L=16		*		1
19	SS7110840SP	SCREW 11/64-40 L=7.8		*		2
20	SS7090540TP	SCREW 9/64-40 L=5		*		2
21	SS7150910TP	SCREW 15/64-28 L=9		*		2
22	WP08416000E	WASHER 8.4X15.5X1.6		*		1
23	WZ0850302K0	WAVED WASHER 8.5X12.5X0.3		*		1
24	B1539804000	PRESSER FOOT FIXING PLATE				1
25	SS6060410TP	SCREW 3/32-56 L= 3.5				1
26	11598000	UPPER KNIFE SUPPORT				1
27	11845807	UPPER KNIFE				1
28	SS9111610SP	SCREW 11/64-40 L=16				1
29	11565504	UPPER KNIFE PRESSER PLATE				1
30	11565702	WASHER				1
31	11848405	UPPER KNIFE COVER				1
32	SS4060310SP	SCREW 3/32-56 L=2.5				1
33	SS4060310SP	SCREW 3/32-56 L=2.5				1
34	SS4080620TP	SCREW 1/8-44 L=6				1
35	40025294	SYNCHRONIZER STOPPER ASM.				1
36	40011755	SYNCHRONIZER TURN STOPPER ASM.	FOR SC-380			1
37	40011757	SYNCHRONIZER STOPPER BASE		*		1
38	40022255	SYNCHRONIZER STOPPER		*		1
39	SS5120810SP	SCREW		*		1
40	SS9154540SP	SCREW 15/64-28 L=45		*		1
41	40011758	SYNCHRONIZER BASE COLLAR		*		1
42	40011756	SYNCHRONIZER STOPPER	FOR SC-380	*		1
43	40030533	PRESSER FOOT AUXILIARY PLATE	FOR MO-6914C			1
44	40036778	V_BELT SLIDER				1

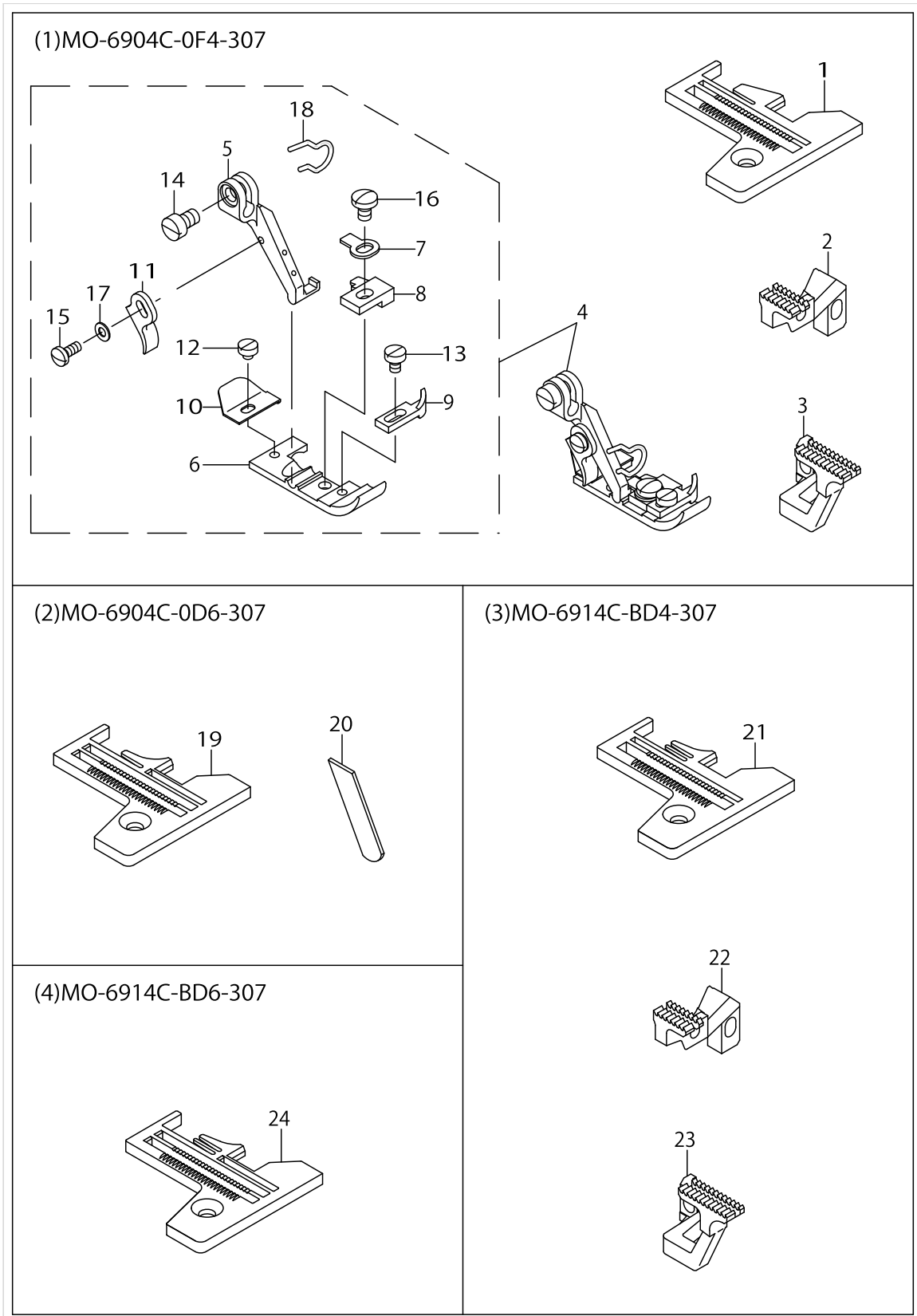
ACCESSORIES PARTS COMPONENTS



ACCESSORIES PARTS COMPONENTS

No.	Parts No.	Parts name	Remarks	Level	Cons	Qty
1	13160858	ACCESSORIE BAG ASM.				1
2	13160007	RING SPANNER		*		1
3	13160205	PIN SPANNER		*		1
4	22932800	ACCESSORIE BAG		*		1
5	22933105	SCREW DRIVER MIDDLE		*		1
6	12347308	SCREW DRIVER (SMALL)		*		1
7	13160106	SPANNER (5X6)		*		1
8	13160304	S SHAPED HOOK		*		2
9	13160403	CHAIN		*		1
10	12288403	TWEEZERS		*		1
11	13160601	FUNNEL				1
12	22933006	SCREW DRIVER LARGE				1
13	40048535	HEAD_COVER				1
14	MDC270B1104	NEEDLE DCX27 #11-4EA.				1
15	MML018900CA	JUKI MACHINE OIL 18				1
16	11851102	SCREW WRENCH				1

SUBCLASSES



SUBCLASSES

No.	Parts No.	Parts name	Remarks	Level	Cons	Qty
1	R4200K6FD00	THROAT PLATE				1
2	12235107	MAIN FEED DOG				1
3	12236600	DIFFERENTIAL FEED DOG				1
4	12230462	PRESSER FOOT ASM.				1
5	11872009	PRESSER FOOT HINGE		*		1
6	12232104	PRESSER FOOT		*		1
7	B150880400B	SPRING		*		1
8	B1509804C0A	STITCH TONGUE		*		1
9	B1510814000	CURL GUARD		*		1
10	B1511814000	REAR PRESSER FOOT		*		1
11	B1530804000	STOPPER		*		1
12	SS6060210SP	SCREW 3/32-56 L=1.9		*		1
13	SS6060440TP	SCREW 3/32-56 L=3.5		*		1
14	SS6090670TP	SCREW 9/64-40 L=6		*		1
15	SS7060610SP	SCREW 3/32-56 L=5.5		*		1
16	SS7080520SP	SCREW 1/8-44 L=4.9		*		1
17	WP0250516SD	WASHER 2.5X6X0.5		*		1
18	13178306	FINGER GUARD		*		1
19	R4300K6DE00	THROAT PLATE				1
20	12220406	LOWER KNIFE				1
21	R4205K6DD00	THROAT PLATE				1
22	12235107	MAIN FEED DOG				1
23	12236600	DIFFERENTIAL FEED DOG				1
24	R4305K6DE00	THROAT PLATE				1

HOW TO MAKE USE OF THIS PARTS LIST

1.Explanation of codes

1)"*"mark.....means this part is changed from the previous parts book.

As to the details of the change, refer to the "List for information of change".

2)"#01".....refer to "Note" explanation at bottom of page.

2.Codes on the "Qty" column

- Each numeral indicates the number of parts required.
- "0.1" and "2.5" indicate the length (in meters) of the respective parts.

3.Parentheses mean that the corresponding part is a subpart that constructs an assembly part.

4.Dotted lines on the Figures indicate assembly parts.

1."注記"欄の記号説明

1) "*"印.....前回のパーツブックに比較して今回変更された部品を意味します。

変更内容は、"変更情報リスト"を参照してください。

2) "#01".....ページ下の"注記"の説明を参照してください。

2.数量欄の数字は、個数を表し、0.1、2.5等の数値は、長さ（単位メートル）を表します。

3.数量欄の（ ）は、組部品を構成している子部品であることを意味します。

4.イラストページの-----枠は、組構成であることを意味します。

NUMERICAL INDEX OF PARTS

PART NO	PAGE	REF NO.	PART NO	PAGE	REF NO.	PART NO	PAGE	REF NO.
10753309	4	39	12132106	6	40	12219903	30	2
11111705	30	18	12200408	2	25	12220208	30	12
11151065	42	26	12200507	2	26	12220307	30	11
11151909	42	31	12201117	4	20	12220406	52	20
11155108	40	9	12201208	4	23	12220604	30	29
11155207	40	10	12204004	6	23	12221602	40	11
11157567	42	2	12204202	6	22	12221750	40	3
11159001	42	18	12206603	22	24	12221800	40	2
11159365	42	14	12206702	22	20	12224606	34	8
11246501	42	38	12208104	12	8	12224655	34	6
11246600	42	37	12208153	12	1	12224705	34	9
11565504	32	22	12208203	12	11	12224853	34	7
11565504	48	29	12208302	12	10	12225009	34	11
11565702	32	23	12208401	12	12	12226155	48	10
11565702	48	30	12208500	12	6	12226163	48	11
11566809	32	12	12208609	12	13	12226304	48	12
11598000	32	19	12208708	12	2	12226403	48	13
11598000	48	26	12208807	12	14	12226502	48	14
11806304	48	15	12208906	12	16	12229100	2	1
11819414	22	22	12209102	16	71	12230165	26	4
11840303	36	8	12209201	16	78	12230264	26	19
11845807	32	20	12209300	16	72	12230462	52	4
11845807	48	27	12209409	14	33	12232104	26	27
11848405	32	24	12209458	14	29	12232104	52	6
11848405	48	31	12209508	14	30	12235107	52	22
11850815	40	1	12209607	14	31	12235206	14	39
11851102	50	16	12209805	14	46	12236600	52	23
11856101	34	10	12210217	14	15	12236709	14	40
11872009	26	20	12210308	14	18	12238101	14	41
11872009	52	5	12210803	16	48	12240107	18	15
11898103	48	5-43	12211504	14	28	12240602	18	18
11918109	36	6	12211603	14	11	12240701	30	4
11960655	42	1	12211801	12	39	12247102	20	68
11960754	42	13	12214706	18	13	12253829	26	1
11965704	48	7	12214805	20	52	12280103	6	10
11965753	48	6	12215158	6	35	12280301	8	5
11965803	48	8	12215307	18	20	12280905	8	24
12109104	6	29	12215406	18	8	12281705	8	38
12113205	22	1	12215554	18	24	12281804	8	39
12118600	12	25	12215703	20	48	12284709	28	5~7
12122362	6	31	12219101	30	1	12284758	28	2
12124202	18	25	12219200	30	8	12284808	28	5~7
12129318	36	17	12219507	30	7	12284857	28	3
12129805	38	51	12219705	30	25	12284907	28	5~7
12129904	38	52	12219804	30	3	12284956	28	4

NUMERICAL INDEX OF PARTS

PART NO	PAGE	REF NO.	PART NO	PAGE	REF NO.	PART NO	PAGE	REF NO.
12285003	28	8~10	13115100	22	2	13142955	36	33
12285102	28	8~10	13115407	22	8	13143300	36	29
12285201	28	8~10	13115654	22	32	13143417	36	43
12285300	28	11	13115753	22	9	13143508	36	44
12285409	28	12	13115803	22	10	13143607	36	47
12285508	28	13	13115902	22	11	13143706	38	48
12285607	28	14	13116009	22	12	13143805	36	27
12285706	28	15	13116108	22	13	13144001	36	30
12285805	28	16	13116207	22	18	13144100	36	39
12288403	50	10	13116504	22	23	13144209	36	40
12288700	22	33	13116702	26	2	13147400	32	7
12315909	36	3	13116801	22	7	13147558	32	2
12316006	36	10	13116900	22	21	13150503	32	17
12316105	36	11	13117007	22	19	13150800	32	18
12317004	36	9	13117106	22	34	13150909	32	5
12340303	18	31	13121108	14	45	13151006	32	6
12340402	18	33	13121207	14	22	13151303	32	4
12340709	18	27	13121256	14	21	13155007	40	8
12340808	20	50	13121405	14	13	13155403	40	7
12341806	40	6	13122007	10	49~52	13160007	50	2
12341905	40	5	13122007	12	27~30	13160106	50	7
12341954	40	4	13122007	32	13~16	13160205	50	3
12347308	50	6	13122106	10	49~52	13160304	50	8
13101001	2	17	13122106	12	27~30	13160403	50	9
13101209	2	14	13122106	32	13~16	13160601	50	11
13101308	2	19	13122205	10	49~52	13160858	50	1
13101407	2	15	13122205	12	27~30	13163456	34	1
13102405	2	2	13122205	32	13~16	13163803	34	2
13102900	4	38	13122304	10	49~52	13163902	34	3
13103908	4	24	13122304	12	27~30	13170006	4	9
13104500	4	10	13122304	32	13~16	13170204	4	11
13104807	4	29	13122700	14	10	13170303	6	15
13107602	6	25	13123302	22	44	13170402	22	37
13107800	6	7	13129309	18	21	13170501	14	27
13108303	6	28	13131206	18	37~41	13170600	18	16
13108402	6	9	13131305	18	37~41	13170808	36	34
13110002	8	15	13131404	18	37~41	13172705	10	55
13110259	8	22	13131503	18	37~41	13172754	10	54
13110507	8	2	13131602	18	37~41	13175005	10	62
13110556	8	1	13131701	18	44	13175203	10	63
13110606	8	4	13131800	18	46	13178306	26	33
13110903	8	26	13131909	18	45	13178306	52	18
13111000	8	27	13142500	36	25	13200209	4	1
13111208	8	34	13142609	10	48	13200308	4	2
13111307	8	35	13142609	36	38	13200407	4	5

NUMERICAL INDEX OF PARTS

PART NO	PAGE	REF NO.	PART NO	PAGE	REF NO.	PART NO	PAGE	REF NO.
13200605	4	6	13229406	38	58	31250657	2	9
13201009	4	12	13230107	36	45	31250707	2	12
13201108	4	28	13230305	36	1	31250806	2	11
13201207	4	33	13240007	2	22~24	31251507	6	11
13204003	4	35	13240106	2	22~24	31251804	6	5
13207709	8	18	13240205	2	22~24	31255300	16	74
13207808	8	20	13244009	8	46	31255706	16	69
13208004	8	40	13280201	2	7	31255805	16	70
13208103	8	23	13281407	6	43	31256100	14	24
13208301	8	17	13282454	8	42	31256605	12	23
13208350	8	16	13283700	22	41	31256803	12	24
13208509	8	43	13285002	14	2	31260359	30	9
13208608	8	47	13285051	14	1	31260607	30	6
13208707	8	30	13285101	14	3	31261001	30	10
13208806	8	28	13285200	12	31	31261100	30	5
13208905	8	29	13285309	16	50	31261209	30	23
13209101	8	9~11	13285408	16	51	31262801	18	14
13209200	8	9~11	13285507	16	52	40011233	18	11
13209309	8	9~11	13285606	14	6	40011234	20	69
13209408	8	12~14	13285705	14	7	40011238	14	26
13209507	8	12~14	13285804	14	5	40011552	2	32
13209606	8	12~14	13285903	2	6	40011564	16	80~82
13209705	8	19	13286000	14	4	40011565	16	80~82
13209804	8	7	13286109	14	9	40011566	16	80~82
13209853	8	6	13286406	14	20	40011571	14	37
13212501	22	39	13286505	12	26·33	40011755	48	35·36
13212709	22	35	13286604	12	26·33	40011756	48	42
13212915	22	43	13287503	20	53·55·62	40011757	48	37
13213012	22	42	13287602	20	53·55·62	40011758	48	41
13217401	14	35	13287701	20	53·55·62	40012383	6	42
13217500	14	36	13287909	18	35	40015636	18	12
13221403	18	19·23·47	13288006	18	4	40016762	36	12
13221502	18	19·23·47	13288105	18	7	40016763	36	20
13221601	18	19·23·47	13289004	18	5	40017703	6	17~21
13222401	18	29	13294053	36	23	40017704	6	17~21
13222609	18	2	13343009	36	4	40017705	6	17~21
13222708	18	3	22901805	4	37	40017706	6	17~21
13225008	28	1	22924708	4	8	40017707	6	17~21
13225107	28	17	22932800	50	4	40017824	6	44
13228804	38	55	22933006	50	12	40018045	36	2
13228903	38	59	22933105	50	5	40022255	48	38
13229000	38	61	23630007	8	45	40023372	6	2
13229109	38	57	23630007	36	54	40023373	6	1
13229307	38	53	23630007	38	54	40025294	48	35·36
13229356	38	50	31018005	38	60	40026017	18	10

NUMERICAL INDEX OF PARTS

PART NO	PAGE	REF NO.	PART NO	PAGE	REF NO.	PART NO	PAGE	REF NO.
40030533	48	5-43	40106579	46	18	CS0870811SH	16	57
40034897	22	31	40106580	44	9	CS1001011SH	20	63
40036778	48	44	40106580	46	20	CS1031210SH	20	59
40037392	4	15	40106582	44	8	CS1031219SH	20	60
40040065	4	16	40106582	46	19	CS1111019SH	32	10
40048535	50	13	40106584	44	1	CS111101HSH	32	9
40085784	44	12	40106587	46	1	CS1201012SH	16	76
40085784	46	10	40150131	2	34	D8113555B00	42	33
40085785	44	6	70004672	24	48	D8204555D00	40	12
40085785	46	14	B1212704000	6	39	EA9500B0100	8	21
40085786	44	17	B150880400B	26	29	GPF06060000	42	15
40085787	44	2	B150880400B	52	7	GPF06070000	42	16
40085788	44	16	B1509804C00	26	15	GPF06080000	42	17
40085788	46	21	B1509804C0A	52	8	MDC270B1100	8	53
40085789	44	15	B150981400P	26	30	MDC270B1100	10	53
40085789	46	12	B1510814000	26	32	MDC270B1104	50	14
40085790	44	14	B1510814000	52	9	MML018900CA	50	15
40085790	46	22	B1511814000	26	26	NM6040002SC	44	25
40085791	44	13	B1511814000	52	10	NM6040002SC	46	30
40085791	46	23	B1530804000	26	22	NM6050001SE	44	26
40085792	44	7	B1530804000	52	11	NM6050001SE	46	29
40085792	46	16	B1536804000	16	54	NM6060003SC	22	25
40085793	44	5	B1539804000	48	24	NM6080001SE	42	21
40085793	46	15	B1620804000	16	73	NM6080721SE	42	32
40085794	44	4	B2530704000	20	56	NS6090310SN	2	4
40085794	46	4	B322877100B	16	79	NS6110310SP	36	32
40085795	44	3	B3534352000	36	7	NS6110310SP	48	16
40085795	46	3	B71140120A0	42	25	NS6110420SP	22	26
40085796	44	20	B81517710A0	42	27	NS6240630SE	40	13
40085796	46	13	B8152771000	42	39	NS6680320SP	48	17
40096181	22	4	B8153771000	42	40	NS6680410SP	4	27
40096182	22	3	B9112804000	48	3	PS0150065KP	30	30
40096325	44	21	B91351230B0	48	4	PS0200062KH	18	9
40096325	46	11	BP30000010R	38	62	PS0300132KH	12	7
40096326	44	19	BT0400251ED	34	13	PS0300142KH	22	16
40096326	46	8	CM300200001	2	21	R4200K6FD00	52	1
40096327	44	18	CM301300001	4	36	R4205K6DD00	52	21
40096327	46	5	CM600100101	4	17	R4300K6DE00	52	19
40106574	46	7	CQ200000000	8	44	R4300K6EE00	30	26
40106575	46	2	CQ200000000	20	57-58	R4305K6DE00	52	24
40106576	44	10	CQ200000000	34	12	R4305K6EE00	30	27
40106576	46	17	CQ202000000	10	58	RE0300000K0	22	47
40106577	46	6	CQ202000000	20	57-58	RE0320000K0	12	40
40106578	46	9	CQ252000000	10	60	RE0400000K0	16	58
40106579	44	11	CS0790731SH	14	16	RO074240100	4	21

NUMERICAL INDEX OF PARTS

PART NO	PAGE	REF NO.	PART NO	PAGE	REF NO.	PART NO	PAGE	REF NO.
RO315200100	2	27	SM4060801SE	38	65	SS6060440TP	52	13
SB31200030A	12	34~38	SM6061200SP	18	17	SS6080320SP	12	15
SB31200030B	12	34~38	SM6061200SP	22	27	SS6080340SP	22	17
SB31200030C	12	34~38	SM6061202TP	6	34	SS6080410SP	14	32
SB31200030D	12	34~38	SM6061402TP	8	8	SS6080410SP	18	28
SB31200030E	12	34~38	SM6061402TP	22	5	SS6090630TP	20	67
SB33500020A	12	18~22	SM6061802TP	36	21	SS6090630TP	40	17
SB33500020B	12	18~22	SM8040402TP	22	38	SS6090670SP	26	21
SB33500020C	12	18~22	SM8050412TP	22	30	SS6090670TP	8	37
SB33500020D	12	18~22	SM8050412TP	36	5	SS6090670TP	52	14
SB33500020E	12	18~22	SM8050502TP	36	42	SS6090810SP	36	14
SD0260271SP	12	5	SM9061203SE	42	34	SS6090810TP	14	44
SD0280401SL	10	61	SM9061203SE	48	9	SS6090910TP	14	8
SD0640241SP	22	15	SM9082023SE	42	28	SS6090910TP	20	65
SK2351600SC	40	14	SQ0000451MZ	38	63	SS6110480SP	30	17
SK3311500SC	40	15	SQ1110401MZ	36	15	SS6110820TP	16	64
SK3412001SE	46	28	SQ1110451MZ	36	36	SS6111010TP	14	47
SK3513200SC	40	16	SQ1150441SD	38	64	SS6111040SP	32	8
SL9061291SE	42	24	SQ1150451MZ	36	37	SS6111110SP	12	4
SL9082091SE	42	22	SQ1150454SD	36	26	SS6111140SP	18	36
SM0081001SD	4	22	SS2090520SL	2	3	SS6111610SP	48	18
SM1040801SC	4	13	SS2110910SL	30	13	SS6121020SP	22	40
SM1040801SP	16	59	SS3090610SP	2	5	SS6121020SP	36	46
SM4040655SP	2	33	SS3090610SP	18	51	SS6121220TP	16	75
SM4040655SP	16	61	SS3090610SP	20	51	SS6660610TP	14	25
SM4040655SP	18	30	SS4060310SP	32	26	SS6660710TP	12	9
SM4040855SP	4	14	SS4060310SP	48	33	SS7060310SP	38	49
SM4040855SP	8	41	SS4080620TP	18	1	SS7060510SP	26	3
SM4040855SP	14	38	SS4080620TP	48	34	SS7060510SP	30	14
SM4041055SP	2	13	SS4090615SP	20	49	SS7060610SP	14	42
SM4041055SP	34	5	SS4110515SP	8	33	SS7060610SP	20	54
SM4041201SC	44	22	SS4110615SP	28	19	SS7060610SP	26	24
SM4041201SC	46	24	SS4110615SP	36	19	SS7060610SP	52	15
SM4042501SC	44	23	SS4110815SP	30	24	SS7080520SP	26	28
SM4042501SC	46	26	SS4112215SP	36	13	SS7080520SP	30	21
SM4050855SP	2	8	SS4120615SP	2	10	SS7080520SP	52	16
SM4050855SP	6	8	SS4151215SP	4	18	SS7090530SP	2	16
SM4050855SP	14	12	SS5080212TP	6	3	SS7090540TP	14	14
SM4050855SP	30	19	SS5110710SP	4	31	SS7090540TP	34	14
SM4050855SP	36	28	SS5110740TP	6	24	SS7090540TP	48	20
SM4051001SE	46	27	SS5120810SP	48	39	SS7090610SP	2	18
SM4051255SP	4	7	SS6060210SP	26	25	SS7090611SL	4	34
SM4051405SE	44	24	SS6060210SP	52	12	SS7090850SP	18	26
SM4051405SE	46	25	SS6060410TP	48	25	SS7090910SP	34	15
SM4051601SC	36	35	SS6060440TP	26	31	SS7110510SP	22	14

NUMERICAL INDEX OF PARTS

PART NO	PAGE	REF NO.	PART NO	PAGE	REF NO.
SS7110510SP	30	22	TA0570301M0	16	49
SS7110710SL	28	18	TA0800504R0	4	32
SS7110840SP	6	27	TA0950806R0	34	4
SS7110840SP	18	34	TA0980502R0	2	30
SS7110840SP	22	28	TA1450404R0	2	29
SS7110840SP	30	15	TA1470702R0	4	40
SS7110840SP	48	19	TA2050805R0	4	19
SS7110910TP	12	17	TA2100904R0	2	31
SS7111410TP	6	37	WP0250516SD	26	23
SS7111410TP	22	29	WP0250516SD	52	17
SS7111810TP	6	41	WP0370316SD	32	1
SS7111810TP	16	55	WP0371026SD	16	65
SS7150740SP	22	45	WP0371026SD	34	16
SS7150910TP	48	21	WP0430800SD	16	68
SS7161040SP	22	6	WP0450801SD	16	67
SS8080310TP	8	36	WP0451026SH	16	53
SS8080310TP	24	49	WP0460556SD	22	46
SS8080310TP	30	20	WP0531001SC	44	28
SS8080322TP	48	2	WP0531001SC	46	31
SS8080410TP	6	4	WP0621016SD	16	66
SS8080410TP	30	31	WP0651056SD	36	22
SS8090530TP	10	59	WP0671016SE	42	36
SS8110410TP	2	28	WP0751576SD	4	25
SS8110410TP	14	63	WP0764016SP	6	14
SS8110410TP	16	63	WP08416000E	48	22
SS8110422TP	30	28	WP0871602SE	42	30
SS8110520TP	12	3	WP1002036SE	40	18
SS8151150TP	6	6	WP1612616SE	44	27
SS8660330SP	32	11	WP1612616SE	46	32
SS8660410SP	16	77	WS0510002KN	44	29
SS8660530TP	20	64	WS0510002KN	46	33
SS8660610TP	10	56	WS0621210KR	42	35
SS8660610TP	20	61	WS0822010KP	4	26
SS9090410TP	18	43	WS0861410KR	42	29
SS9090610TP	18	42	WS1002560KR	40	19
SS9090823TP	32	3	WZ0850302K0	4	30
SS9111610SP	32	21	WZ0850302K0	48	23
SS9111610SP	48	28	WZ2640310KH	6	16
SS9151210TP	6	38			
SS9151210TP	12	32			
SS9151210TP	14	34			
SS9151210TP	18	22			
SS9154540SP	48	40			
SS9681610TP	6	13			
TA0400301M0	36	41			