

MODEL : MO-6114D SUBCLASSES

List No : 1355-00

# PARTS LIST

Published:09/10/2017

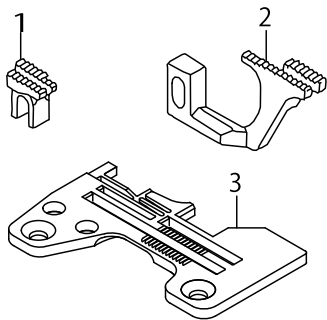
## CONTENTS

---

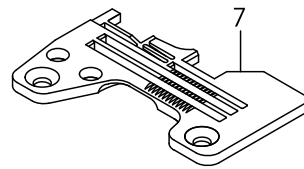
MO-6114D SUBCLASSES (1).....	1
MO-6114D SUBCLASSES (2).....	3
MO-6114D SUBCLASSES (3).....	5
MO-6114D SUBCLASSES (4).....	7
HOW TO MAKE USE OF THIS PARTS LIST .....	9

MO-6114D SUBCLASSES (1)

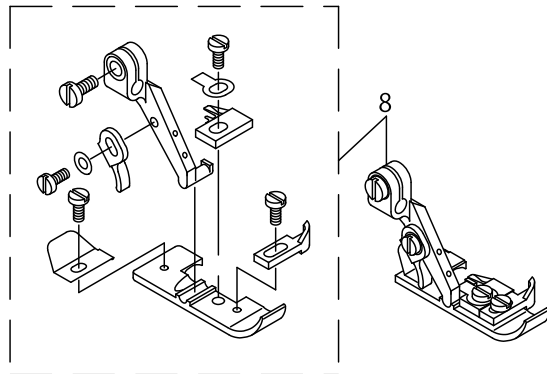
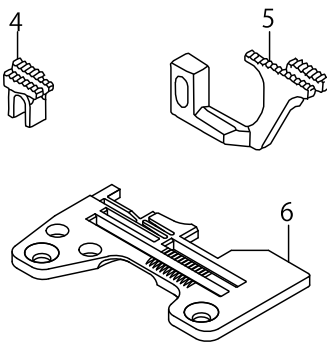
1.MO-6114D-BD4-40H



3.MO-6114D-BD6-40H



2.MO-6114D-BE4-40H

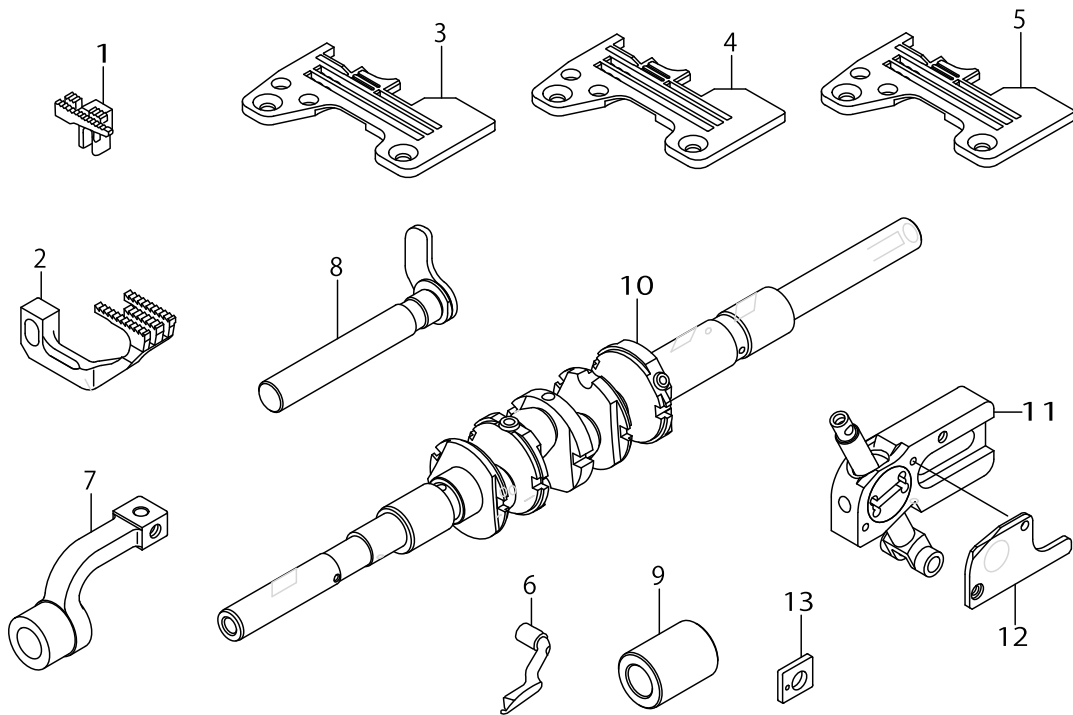


MO-6114D SUBCLASSES (1)

No.	Parts No.	Parts name	Remarks	Level	Cons	Qty
1	11597101	MAIN FEED DOG				1
2	B1657814B0E	DIFFERENTIAL FEED DOG				1
3	R4205J6DE00	THROAT PLATE				1
4	11597101	MAIN FEED DOG				1
5	B1657814B0E	DIFFERENTIAL FEED DOG				1
6	R4205J6EE00	THROAT PLATE				1
7	R4305J6DE00	THROAT PLATE				1
8	12152559	PRESSER FOOT COMPL.				1

MO-6114D SUBCLASSES (2)

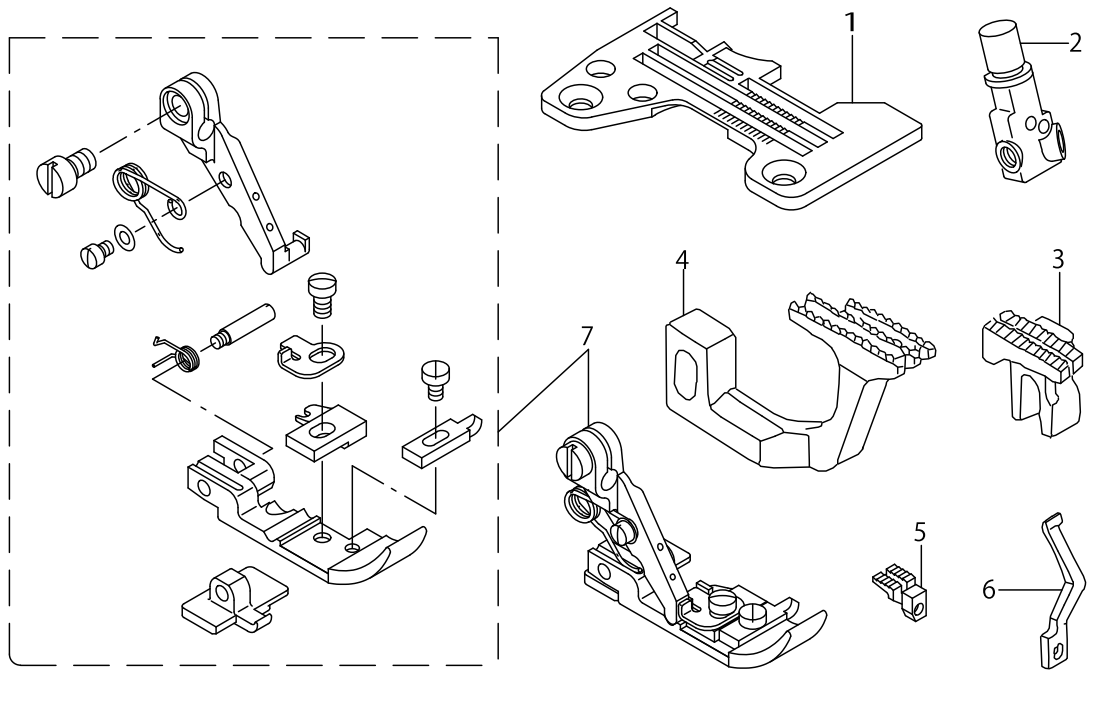
4.MO-6114D-BB6-30P,MO-6114D-BD6-30P,  
MO-6114D-BE6-30P



MO-6114D SUBCLASSES (2)

No.	Parts No.	Parts name	Remarks	Level	Cons	Qty
1	12171500	MAIN FEED DOG				1
2	12172003	DIFF,FEED DOG				1
3	R4305J6BE0A	THROAT PLATE	FOR MO-6114D-BB6-30P			1
4	R4305J6DE0A	THROAT PLATE	FOR MO-6114D-BD6-30P			1
5	R4305J6EE0B	THROAT PLATE	FOR MO-6114D-BE6-30P			1
6	12176004	UPPER LOOPER				1
7	12115515	PRESSER SHAFT ARM				1
8	12115655	PRESSER SHAFT ASM.				1
9	12115812	PRESSER SHAFT METAL				1
10	40004537	MAIN SHAFT (30P) ASM.				1
11	40004710	LOOPER GUIDE SUPPORT B ASM.				1
12	40004714	UPPER LOOPER GUIDE COVER B				1
13	13131909	GUIDE SUPPORT GAUGE				1

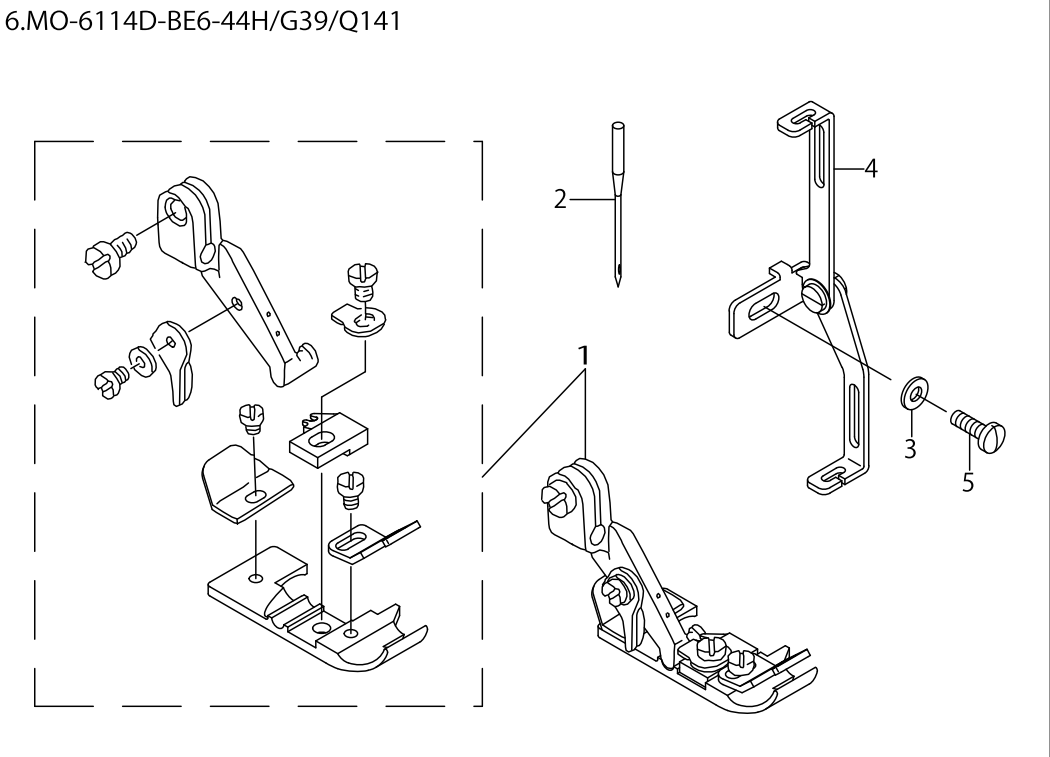
5.MO-6114D-CF6-40H



MO-6114D SUBCLASSES (3)

No.	Parts No.	Parts name	Remarks	Level	Cons	Qty
1	R4306J6FE00	THROAT PLATE				1
2	12149308	NEEDLE CLAMP, 2-NEEDLE				1
3	11882503	MAIN FEED DOG				1
4	11790706	DIFFERENTIAL FEED DOG				1
5	11887205	AUXILIARY FEED DOG				1
6	11890407	NEEDLE GUARD				1
7	11984457	PRESSER ASM.				1





MO-6114D SUBCLASSES (4)

No.	Parts No.	Parts name	Remarks	Level	Cons	Qty
1	12152955	PRESSER FOOT ASM.				1
2	MDC270B1400	NEEDLE DCX27 #14				2
3	WP0371016SD	WASHER 3.7X8X1				1
4	MAQ141000A0	TAPE GUIDE ASM.				1
5	SS7091110TP	SCREW 9/64-40 L=10.5				1

## HOW TO MAKE USE OF THIS PARTS LIST

1.As to "#01" and "#02" refer to the "Note" given at the bottom of the respective pages.

2.Codes on the "Qty" column

- Each numeral indicates the number of parts required.
- "0.1" and "2.5" indicate the length (in meters) of the respective parts.

3.Parentheses mean that the corresponding part is a subpart that constructs an assembly part.

4.Dotted lines on the Figures indicate assembly parts.

1. リストページの# 0 1、# 0 2の印は、ページ下の"注記"の説明を参照下さい。
2. 数量欄の数字は、個数を表し、0. 1、2. 5等の数値は、長さ（単位メートル）を表します。
3. 数量欄の（ ）は、組部品を構成している子部品であることを意味します。
4. イラストページの-----枠は、組構成であることを意味します。

# NUMERICAL INDEX OF PARTS

PART NO	PAGE	REF NO.
11597101	2	4
11790706	6	4
11882503	6	3
11887205	6	5
11890407	6	6
11984457	6	7
12115515	4	7
12115655	4	8
12115812	4	9
12149308	6	2
12152559	2	8
12152955	8	1
12171500	4	1
12172003	4	2
12176004	4	6
13131909	4	13
40004537	4	10
40004710	4	11
40004714	4	12
B1657814B0E	2	5
MAQ141000A0	8	4
MDC270B1400	8	2
R4205J6DE00	2	3
R4205J6EE00	2	6
R4305J6BE0A	4	3
R4305J6DE00	2	7
R4305J6DE0A	4	4
R4305J6EE0B	4	5
R4306J6FE00	6	1
SS7091110TP	8	5
WP0371016SD	8	3