

MODEL : MO-6904R-0E4/MO-6914R-BE6/MO-6916R-DE4

List No : 1348-06

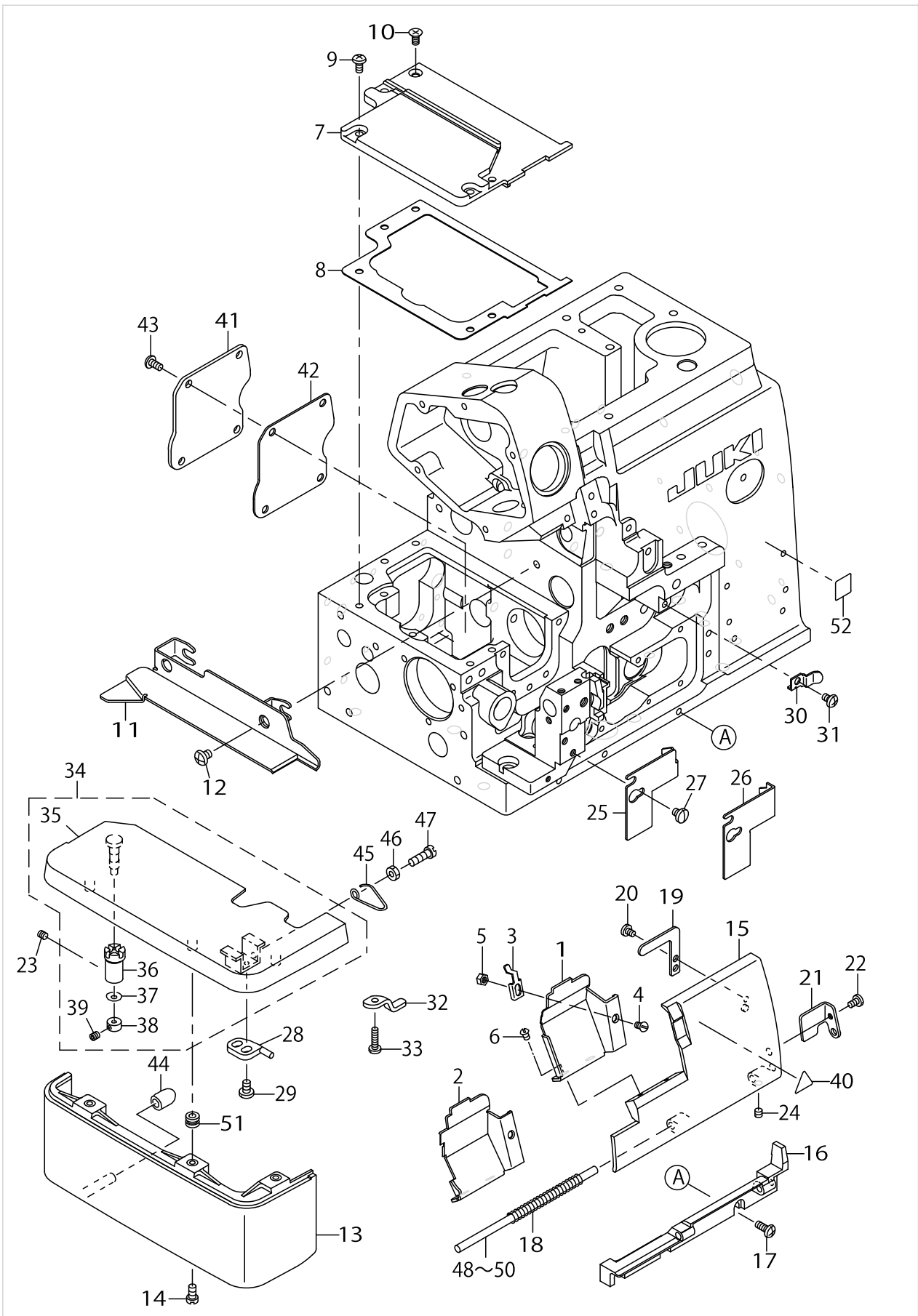
PARTS LIST

Published:09/10/2017

CONTENTS

MISCELLANEOUS COVER COMPONENTS (1).....	1
MISCELLANEOUS COVER COMPONENTS (2).....	5
CRANKSHAFT COMPONENTS	9
NEEDLE DRIVING SHAFT COMPONENTS.....	13
FEED MECHANISM COMPONENTS (1).....	17
FEED MECHANISM COMPONENTS (2).....	19
UPPER FEED MECHANISM COMPONENTS (1).....	23
UPPER FEED MECHANISM COMPONENTS (2).....	27
UPPER & LOWER LOOPER COMPONENTS.....	31
CHAIN LOOPER COMPONENTS (FOR MO-6916R).....	35
PRESSER FOOT COMPONENTS (1).....	37
PRESSER FOOT COMPONENTS (2).....	41
THREAD TENSION COMPONENTS	43
LOWER KNIFE COMPONENTS.....	47
UPPER KNIFE COMPONENTS	49
NEEDLE COOLING MECHANISM COMPONENTS.....	51
LUBRICATION MECHANISM COMPONENTS.....	53
SEMI-SUNKEN TYPE TABLE COMPONENTS.....	57
FULLY-SUNKEN TYPE TABLE COMPONENTS.....	59
STAND COMPONENTS (Z·T).....	61
THREAD STAND COMPONENTS (FOR MO-6904R,MO-6914R)	63
THREAD STAND COMPONENTS (MO-6904R,MO-6914R SPECIAL ORDER PARTS).....	65
THREAD STAND COMPONENTS (FOR MO-6916R).....	67
THREAD STAND COMPONENTS (MO-6916R SPECIAL ORDER PARTS).....	69
SPECIAL ORDER PARTS COMPONENTS.....	71
ACCESSORIES PARTS COMPONENTS	73
LIST FOR INFORMATION OF CHANGE.....	75
HOW TO MAKE USE OF THIS PARTS LIST	76

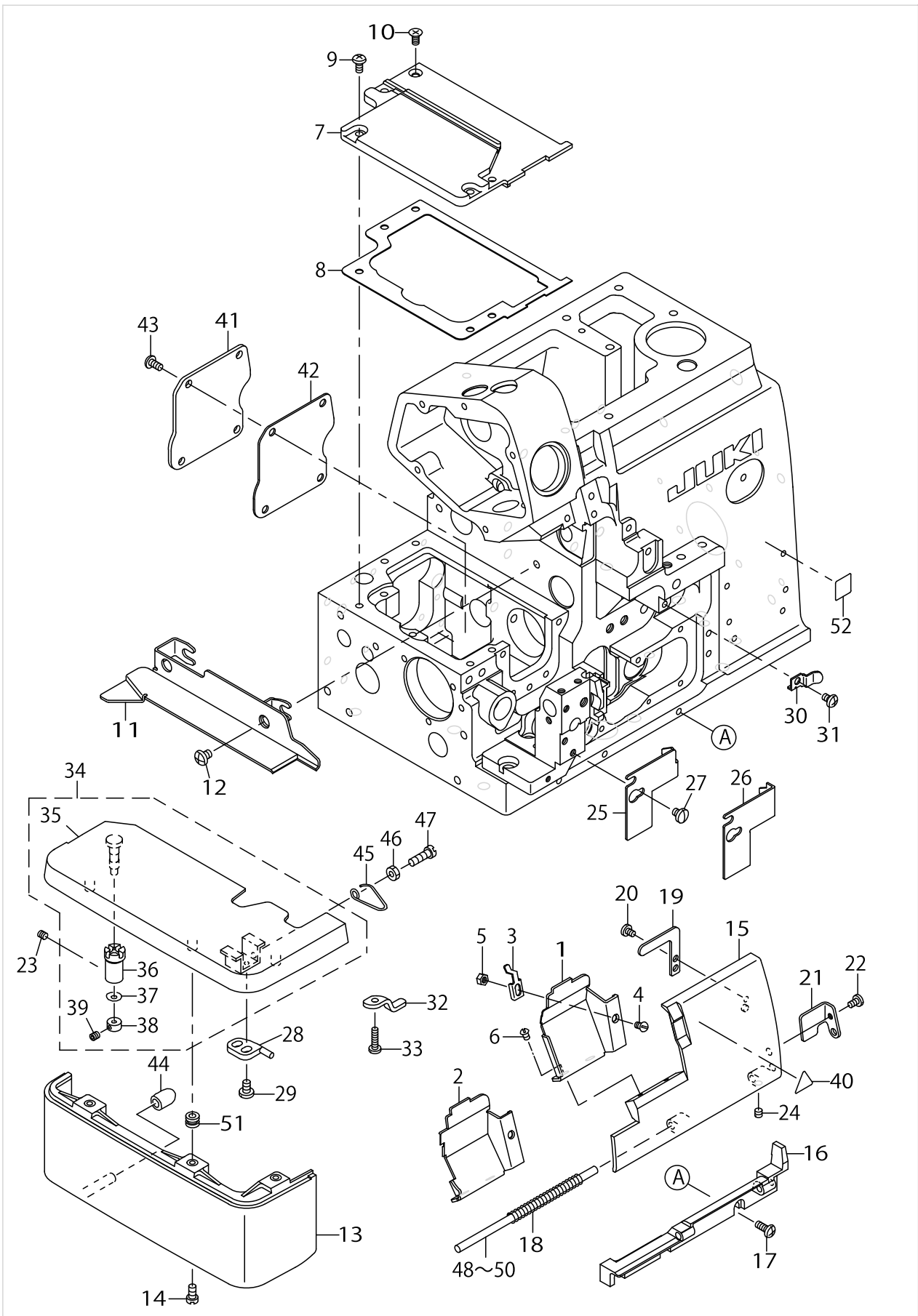
MISCELLANEOUS COVER COMPONENTS (1)



MISCELLANEOUS COVER COMPONENTS (1)

No.	Parts No.	Parts name	Remarks	Level	Cons	Qty
1	13104104	CLOTH WASTE COVER	FOR MO-6904R,MO-6914R			1
2	13104203	CLOTH WASTE COVER	FOR MO-6916R			1
3	13102405	CROTH WASTE COVER STOPPER				1
4	SS2090520SL	SCREW 9/64-40 L=5				1
5	NS6090310SN	NUT 9/64-40				1
6	SS3090610SP	SCREW 9/64-40 L=6				2
7	13200704	FEED MECHANISM COVER				1
8	13200803	FEED MECHANISM COVER GASKET				1
9	SM4040855SP	SCREW				4
10	SM1040801SC	SCREW M4X0.7 L=8				1
11	12300356	CLOTH PLATE SIDE COVER ASM.				1
12	SS4120615SP	SCREW 3/16-28 L=6				2
13	13103809	CLOTH BASE COVER				1
14	SS4091015SP	SCREW 9/64-40 L=10				2
15	13100904	LOOPER COVER				1
16	13100805	LOOPER COVER BRACKET				1
17	SM4041055SP	SCREW M4 L=10				3
18	13101209	LOOPER COVER SPRING				1
19	13101407	LOOPER COVER PRESSER PLATE				1
20	SS7090530SP	SCREW 9/64-40 L=4.5				1
21	13101001	LOOPER COVER GUIDE PLATE				1
22	SS7090610SP	SCREW 9/64-40 L=6				1
23	SS8110410TP	SCREW 11/64-40 L=3.5				1
24	SS8110410TP	SCREW 11/64-40 L=3.5				1
25	13101506	CLOTH WASTE COVER LEFT	FOR MO-6904R,MO-6914R			1
26	13101605	CLOTH WASTE COVER LEFT	FOR MO-6916R			1
27	SS7110510SP	SCREW 11/64-40 L=5				2
28	13101704	CLOTH BASE SWITCH-TYPE STOPPER				1
29	SS7110710SP	SCREW 11/64-40 L=7				2
30	13101308	LOOPER COVER PRESSER SPRING				1
31	SM4040655SP	SCREW M4 L=6				1
32	13101803	CROTH BASE SUPPORT PLATE				1
33	SS7091410SP	SCREW 9/64-40 L=13.5				1
34	13103650	CLOTH BASE CMPL.				1
35	13102058	CLOTH BASE ASM.		*		1
36	13101902	CLOTH BASE ECCENTRIC BUSHING		*		1
37	WZ0420350KP	DISC SPRING		*		1
38	13172903	CLOTH BASE HINGE SHAFT COLLAR		*		1
39	SM8040302TP	SETSCREW		*		1
40	CM300200001	ATTENTION SEAL				1
41	40102307	ADJUSTING_HOLE_COVER				1
42	13201603	ADJUSTING HOLE COVER GASKET				1
43	SM4040855SP	SCREW				4
44	13104302	CLOTH BASE COVER RUBBER PLUG				1
45	13102207	CLOTH BASE SWITCH-TYPE SPRING				1
46	NS6110420SP	NUT 11/64-40				1
47	SS6111440SP	SCREW 11/64-40 L=14.0				1

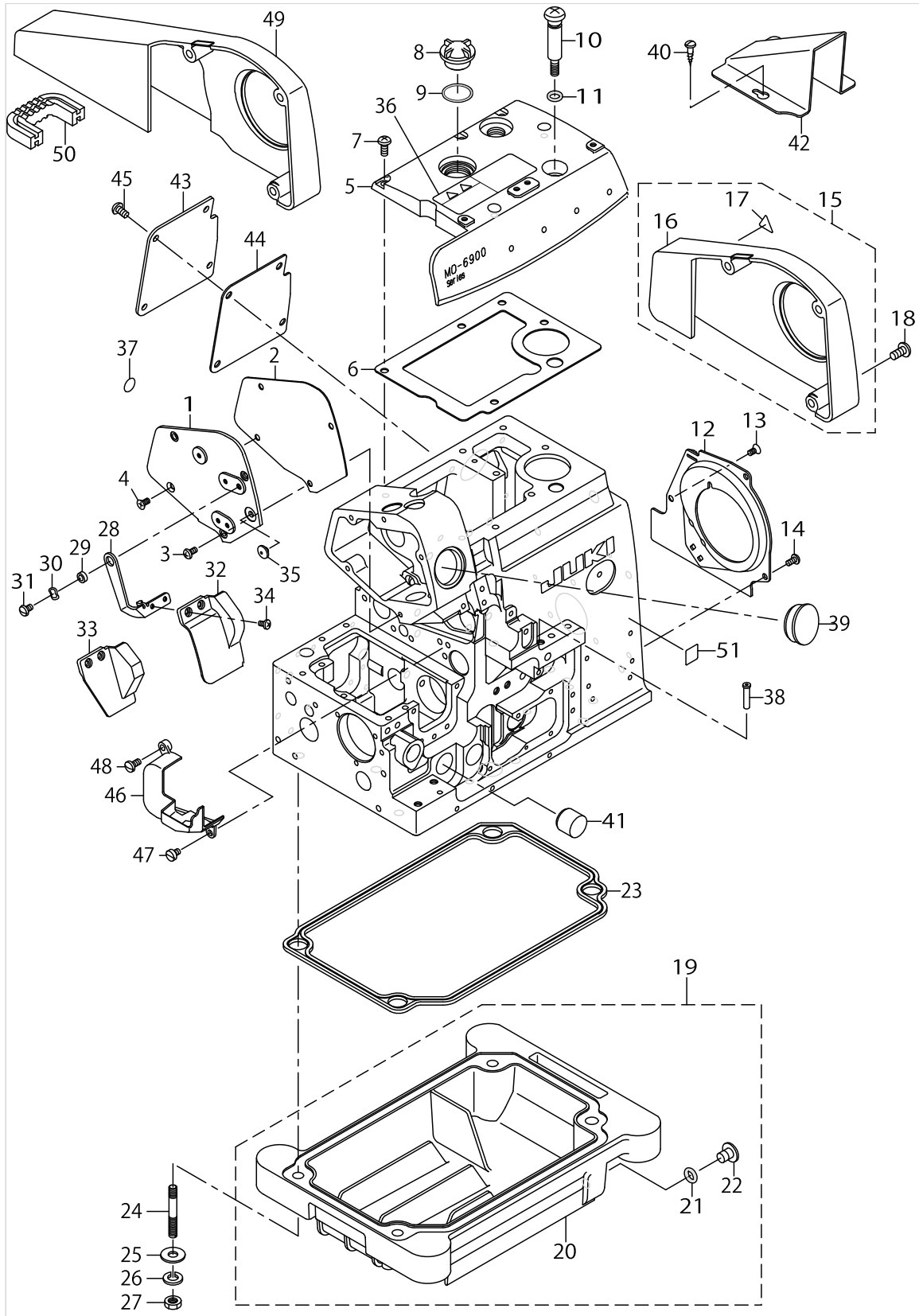
MISCELLANEOUS COVER COMPONENTS (1)



MISCELLANEOUS COVER COMPONENTS (1)

No.	Parts No.	Parts name	Remarks	Level	Cons	Qty
48	13240007	LOOPER COVER HINGE SHAFT A	SELECTIVE PARTS			1
49	13240106	LOOPER COVER HINGE SHAFT B	SELECTIVE PARTS			1
50	13240205	LOOPER COVER HINGE SHAFT C	SELECTIVE PARTS			1
51	13103700	CLOTH BASE COVER BUSHING				3
52	40150131	EAC_MARK_LABEL_S	FOR JE			1

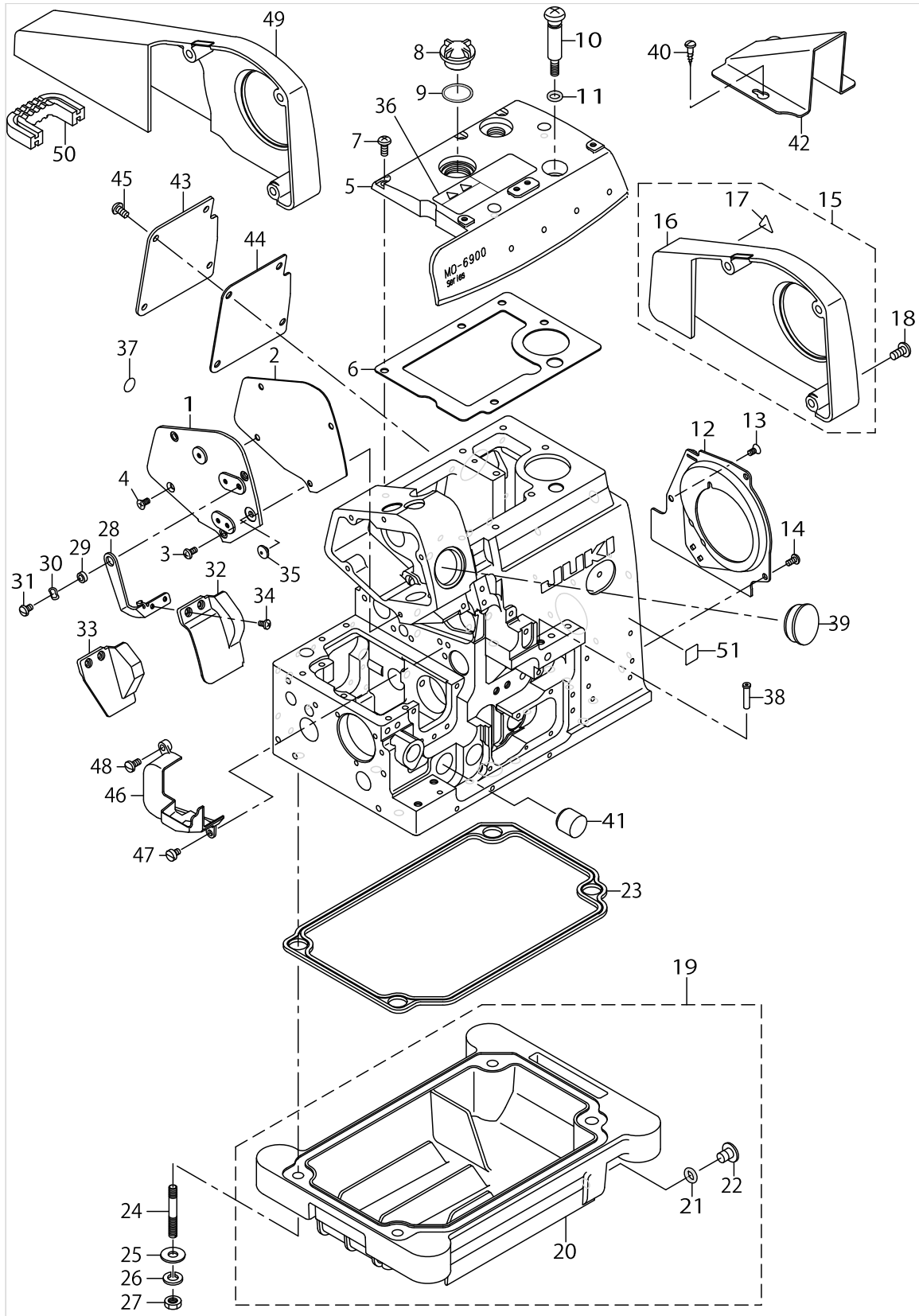
MISCELLANEOUS COVER COMPONENTS (2)



MISCELLANEOUS COVER COMPONENTS (2)

No.	Parts No.	Parts name	Remarks	Level	Cons	Qty
1	13200209	SIDE COVER				1
2	13200308	SIDE COVER GASKET				1
3	SM4040855SP	SCREW				3
4	SM1040801SC	SCREW M4X0.7 L=8				1
5	13200407	UPPER COVER				1
6	13200605	UPPER COVER GASKET				1
7	SM4051255SP	SCREW M5 L=12				5
8	22924708	OIL SIGHT WINDOW				1
9	13170006	RUBBER RING				1
10	13104500	OIL DRAIN SCREW				1
11	13170204	RUBBER RING				1
12	13201009	COOLING FAN PLATE				1
13	SM1040801SC	SCREW M4X0.7 L=8				1
14	SM4040855SP	SCREW				2
15	13201454	BELT COVER ASM.	VARIOUS NOS.FOR DESTINATIONS			1
16	13201405	BELT COVER		*		1
17	CM300200001	ATTENTION SEAL		*		1
18	SS4151215SP	SCREW 15/64-28 L=12				3
19	13102553	OIL RESERVOIR ASM.				1
20	13102504	OIL RESERVOIR		*		1
21	13170105	RUBBER RING		*		1
22	13171004	DRAIN SCREW		*		1
23	13102603	OIL RESERVOIR GASKET				1
24	13103908	SCREW STUD				4
25	WP0751576SD	WASHER 7.5X19X1.5				4
26	WS0822010KP	SPRING WASHER 8.2X15X2				4
27	NS6680410SP	NUT 9/32-28				4
28	13201108	SAFETY PLATE BRACKET				1
29	13104807	SAFETY PLATE BRACKET COLLAR				1
30	WZ0850302K0	WAVED WASHER 8.5X12.5X0.3				1
31	SS5110710SP	SCREW 11/64-40 L=7				1
32	13201306	SAFETY PLATE	FOR MO-6916R			1
33	13201207	SAFETY PLATE	FOR MO-6904R,MO-6914R			1
34	SS7090611SL	SCREW 9/64-40 L=6.1				2
35	13204003	SAFETY PLATE BUSH				1
36	CM301300001	SAFETY LABEL				1
37	22901805	GROUND MARK				1
38	13102900	THREAD GUIDE LARGE				2
39	10753309	WINDOW PLATE RUBBER PLUG				1
40	SK3412001SE	WOOD SCREW D=4.1 L=20				2
41	TA1871602R0	RUBBER PLUG	FOR MO-6904R,MO-6914R			1
42	13160700	BELT COVER (B)				1
43	13270400	REAR COVER				1
44	13270509	REAR COVER GASKET				1
45	SM4051055SP	SCREW				4
46	31200504	UPPER FEED COVER				1

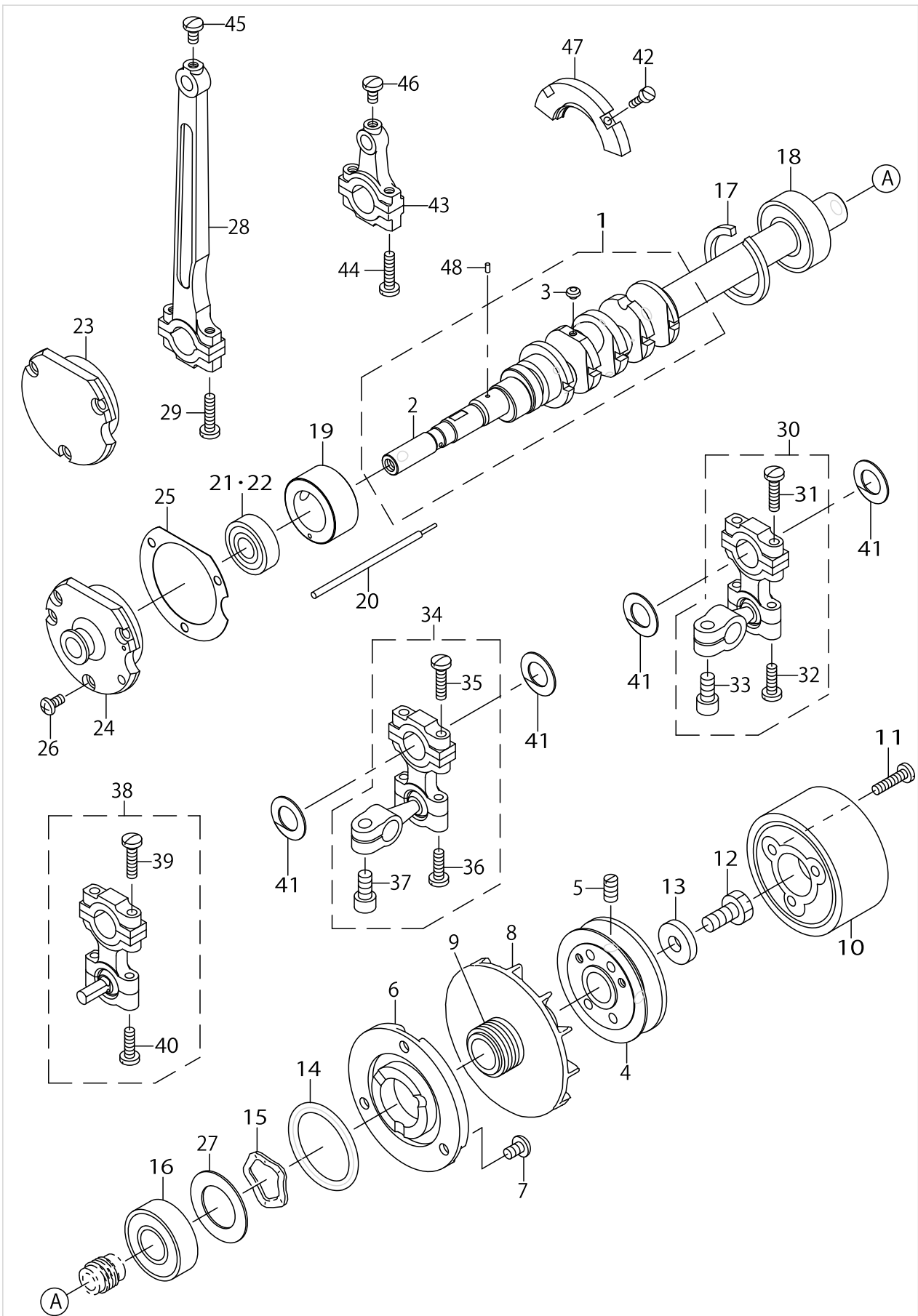
MISCELLANEOUS COVER COMPONENTS (2)



MISCELLANEOUS COVER COMPONENTS (2)

No.	Parts No.	Parts name	Remarks	Level	Cons	Qty
47	SS6110610TP	SCREW 11/64-40 L=6				1
48	SS7110910TP	SCREW 11/64-40 L=8.5				1
49	40037392	BELT COVER C	VARIOUS NOS.FOR DESTINATIONS			1
50	40040065	VIBRATION PROOF RUBBER	VARIOUS NOS.FOR DESTINATIONS			1
51	CM600100101	WEEE MARK LABEL S	FOR JE			1

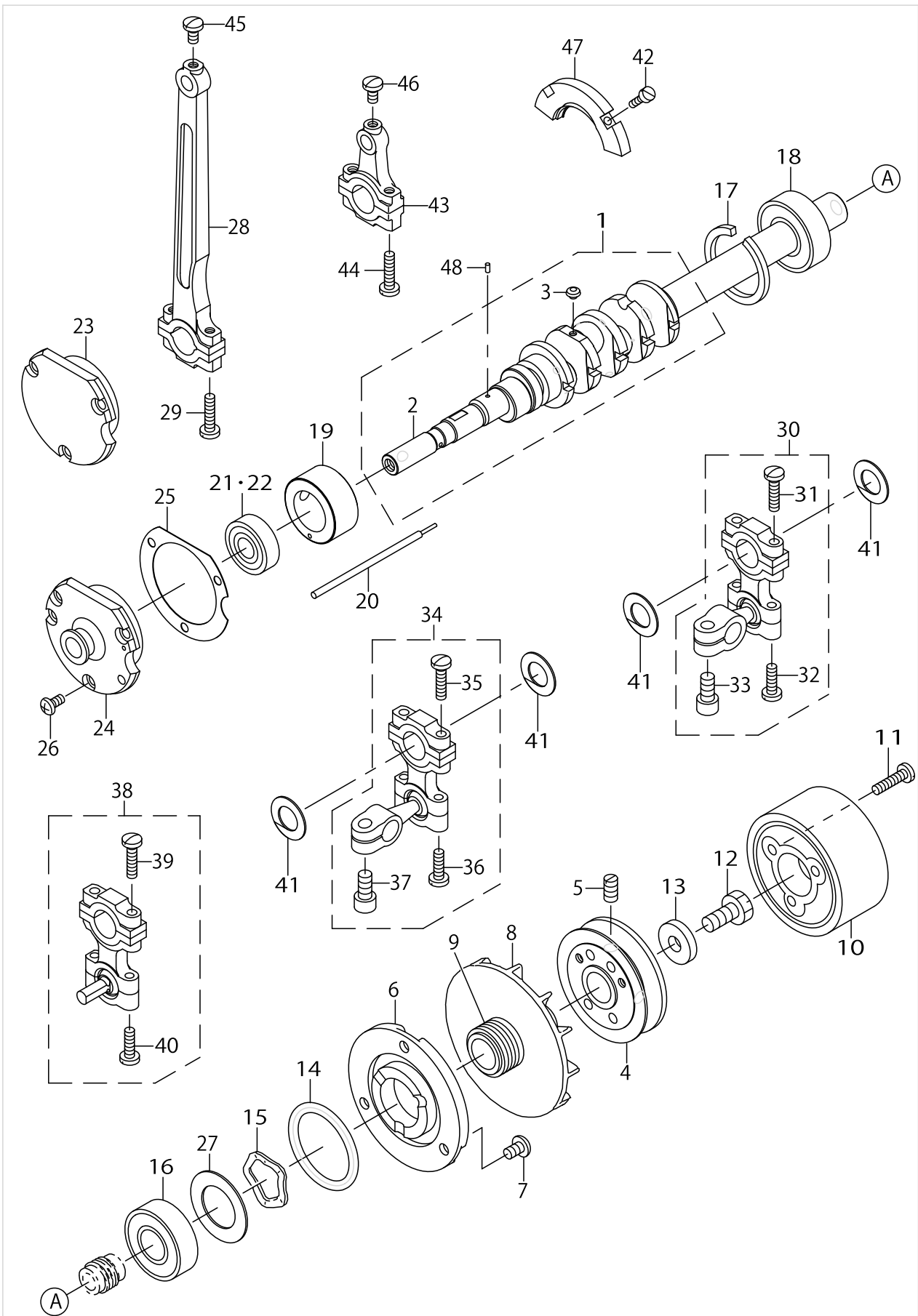
CRANKSHAFT COMPONENTS



CRANKSHAFT COMPONENTS

No.	Parts No.	Parts name	Remarks	Level	Cons	Qty
1	40023235	MAIN SHAFT ASM.				1
2	40023234	MAIN SHAFT (300)		*		1
3	SS5080212TP	SCREW 1/8-44 L=2		*		5
4	13107602	HANDWHEEL (A)				1
5	SS8151150TP	SCREW 15/64-28 L=10.5				2
6	13107800	THRUST COLLAR				1
7	SM4050855SP	SCREW M5 L=8				3
8	13108402	COOLING FAN				1
9	12280103	OIL SHIELD				1
10	13107701	HANDWHEEL				1
11	SS7111810TP	SCREW 11/64-40 L=18				3
12	SS9681610TP	SCREW 9/32-28 L=16				1
13	WP0764016SP	WASHER				1
14	13170303	RUBBER RING				1
15	WZ2640310KH	WAVED WASHER 26.4X33.9X3.5				1
16	B1211804000	BALL BEARING B				1
17	B1212704000	BEARING RETAINER				1
18	B1211804000	BALL BEARING B				1
19	13205406	CRANKSHAFT BUSHING C				1
20	13104906	OIL ADJUSTING BAR				1
21	B1215804000	BALL BEARING D	FOR MO-6904R,MO-6914R			1
22	SB110000300	BALL BEARING	FOR MO-6916R			1
23	12343406	CRANKSHAFT BUSHING D	FOR MO-6904R,MO-6914R			1
24	13108105	CRANKSHAFT BUSHING D	FOR MO-6916R			1
25	12108403	CRANKSHAFT BUSHING D GASKET				1
26	SM4040855SP	SCREW				3
27	13108303	BEARING HOLDING PLATE				1
28	12109104	CONNECTING ROD				1
29	SS7111810TP	SCREW 11/64-40 L=18				2
30	12122362	UPPER LOOPER ROD ASM.				1
31	SS7111810TP	SCREW 11/64-40 L=18		*		2
32	SS7111410TP	SCREW 11/64-40 L=14		*		2
33	SM6061202TP	SCREW M6 L=12		*		1
34	12123360	LOWER LOOPER ROD ASM. A	FOR MO-6904R,MO-6914R			1
35	SS7111810TP	SCREW 11/64-40 L=18		*		2
36	SS7111410TP	SCREW 11/64-40 L=14		*		2
37	SM6061202TP	SCREW M6 L=12		*		1
38	12120150	LOWER LOOPER ROD ASM. B	FOR MO-6916R			1
39	SS7111810TP	SCREW 11/64-40 L=18		*		2
40	SS7111410TP	SCREW 11/64-40 L=14		*		2
41	40017824	LOOPER LOD STOPPER				4
42	SS6081210TP	SCREW 1/8-44 L=12				2
43	12132106	KNIFE DRIVING ROD				1
44	SS7111810TP	SCREW 11/64-40 L=18				2
45	SS7110840SP	SCREW 11/64-40 L=7.8				1
46	SS7110840SP	SCREW 11/64-40 L=7.8				1
47	40017714	BALANCER				1

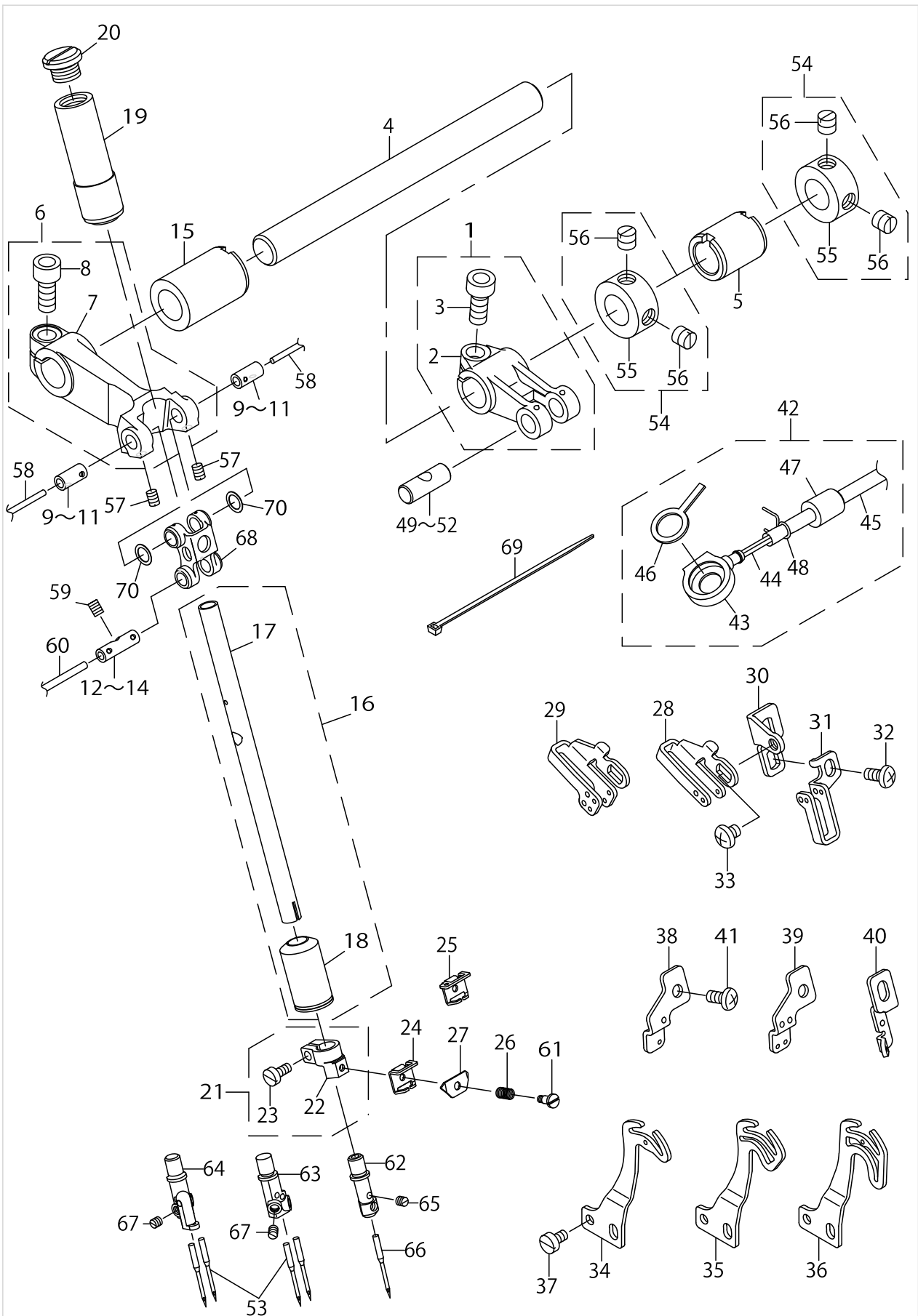
CRANKSHAFT COMPONENTS



CRANKSHAFT COMPONENTS

No.	Parts No.	Parts name	Remarks	Level	Cons	Qty
48	40035711	OIL WICK				1

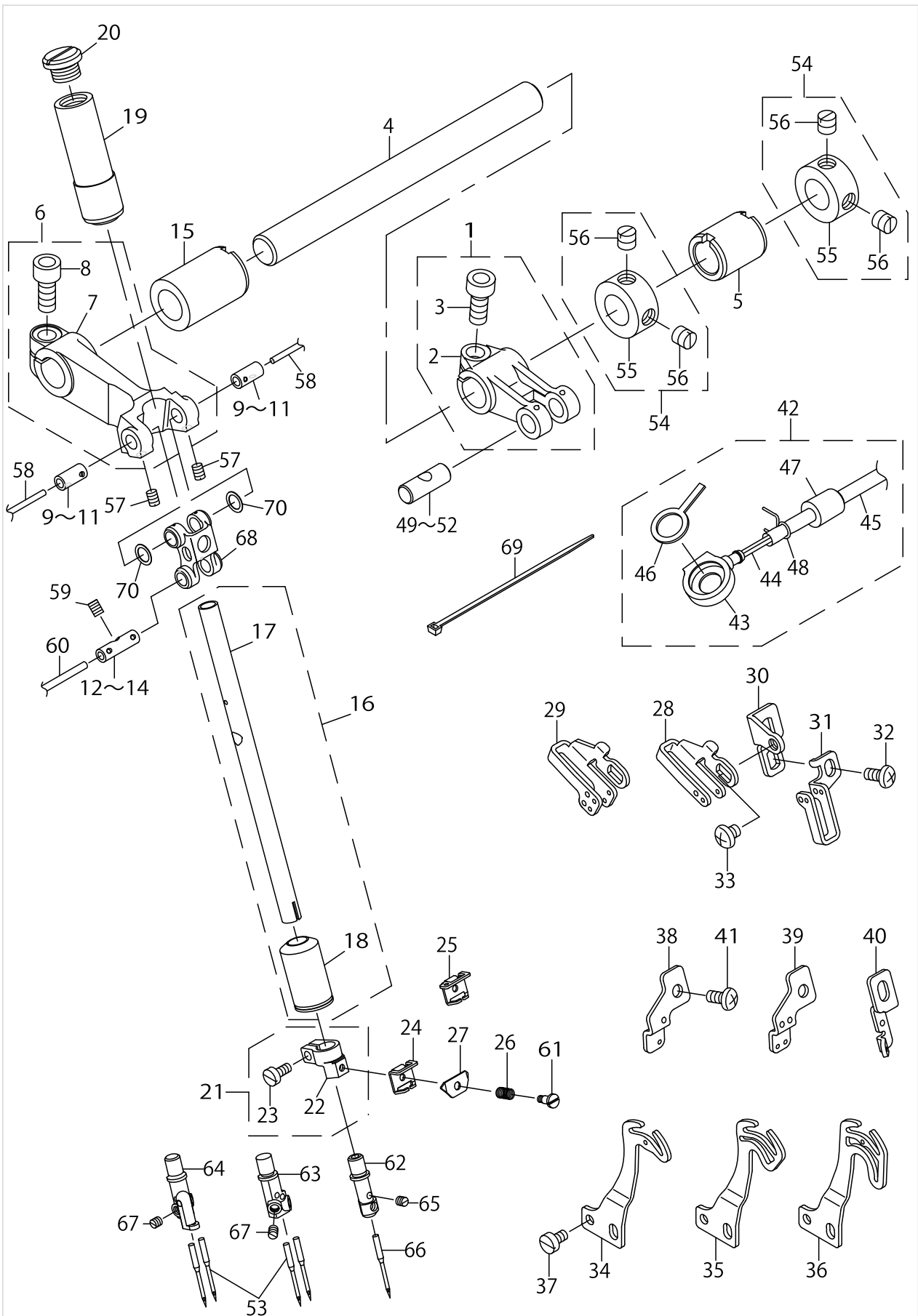
NEEDLE DRIVING SHAFT COMPONENTS



NEEDLE DRIVING SHAFT COMPONENTS

No.	Parts No.	Parts name	Remarks	Level	Cons	Qty
1	12280756	FEED FORKED CRANK ASM.				1
2	12280707	FEED FORKED CRANK		*		1
3	SM6061402TP	SCREW M6 L=14		*		1
4	13110606	NEEDLE DRIVING SHAFT				1
5	13110101	BUSHING REAR				1
6	13209853	NEEDLE DRIVING ARM ASM.				1
7	13209804	NEEDLE DRIVING ARM		*		1
8	SM6061402TP	SCREW M6 L=14		*		1
9	13209101	NEEDLE DRIVING ARM PIN A	SELECTIVE PARTS			2
10	13209200	NEEDLE DRIVING ARM PIN B	SELECTIVE PARTS			2
11	13209309	NEEDLE DRIVING ARM PIN C	SELECTIVE PARTS			2
12	13209408	NEEDLE DRIVING PIN A	SELECTIVE PARTS			1
13	13209507	NEEDLE DRIVING PIN B	SELECTIVE PARTS			1
14	13209606	NEEDLE DRIVING PIN C	SELECTIVE PARTS			1
15	13110002	BUSHING REAR				1
16	13208350	NEEDLE ROD (A) ASM.				1
17	13208301	NEEDLE ROD (A)		*		1
18	13207709	NEEDLE ROD BUSHING LOWER		*		1
19	13209705	NEEDLE ROD BUSHING UPPER				1
20	13207808	NEEDLE ROD BUSHING CAP SCREW				1
21	13110259	NEEDLE CLAMP HOLDER ASM.				1
22	13110200	NEEDLE CLAMP HOLDER		*		1
23	SS6080720SP	SCREW 1/8-44 L=7		*		1
24	12280905	NEEDLE THREAD PRESSER GUIDE A	FOR MO-6904R,MO-6914R			1
25	12281002	NEEDLE THREAD PRESSER GUIDE B	FOR MO-6916R			1
26	13110903	NEEDLE THREAD PRESSER SPRING				1
27	13111000	NEEDLE THREAD PRESSER PLATE A				1
28	13208806	NEEDLE THREAD GUIDE	FOR MO-6904R,MO-6916R			1
29	13208905	THREAD GUIDE 2-NEEDLE	FOR MO-6914R			1
30	13208707	NEEDLE THREAD GUIDE BASE				1
31	13111109	THREAD GUIDE CHAIN LOOPER	FOR MO-6916R			1
32	SM4040855SP	SCREW				2
33	SS4110515SP	SCREW 11/64-40 L=5				1
34	31202609	NEEDLE THREAD TAKE-UP LEVER	FOR MO-6904R			1
35	31202708	TAKE-UP LEVER 2-NEEDLE	FOR MO-6914R			1
36	31202807	TAKE-UP LEVER CHAIN LOOP	FOR MO-6916R			1
37	SS6090670TP	SCREW 9/64-40 L=6				2
38	13111505	NEEDLE THREAD BALANCE GUIDE	FOR MO-6904R,MO-6916R			1
39	13111604	LEVER GUIDE	FOR MO-6914R			1
40	13111703	TAKE-UP LEVER GUIDE CHAIN LOOP	FOR MO-6916R			1
41	SM4040855SP	SCREW				1
42	13272554	ONCE THROUGH OIL PIPE ASM.				1
43	13272505	ONCE THROUGH OIL COVER		*		1
44	CQ200000000	OIL WICK		*		0.68
45	23630007	TUBE		*		0.34
46	13208608	ONCE THROUGH OIL FELT		*		1
47	13244009	ONCE THROUGH OIL PIPE BUSHING		*		1

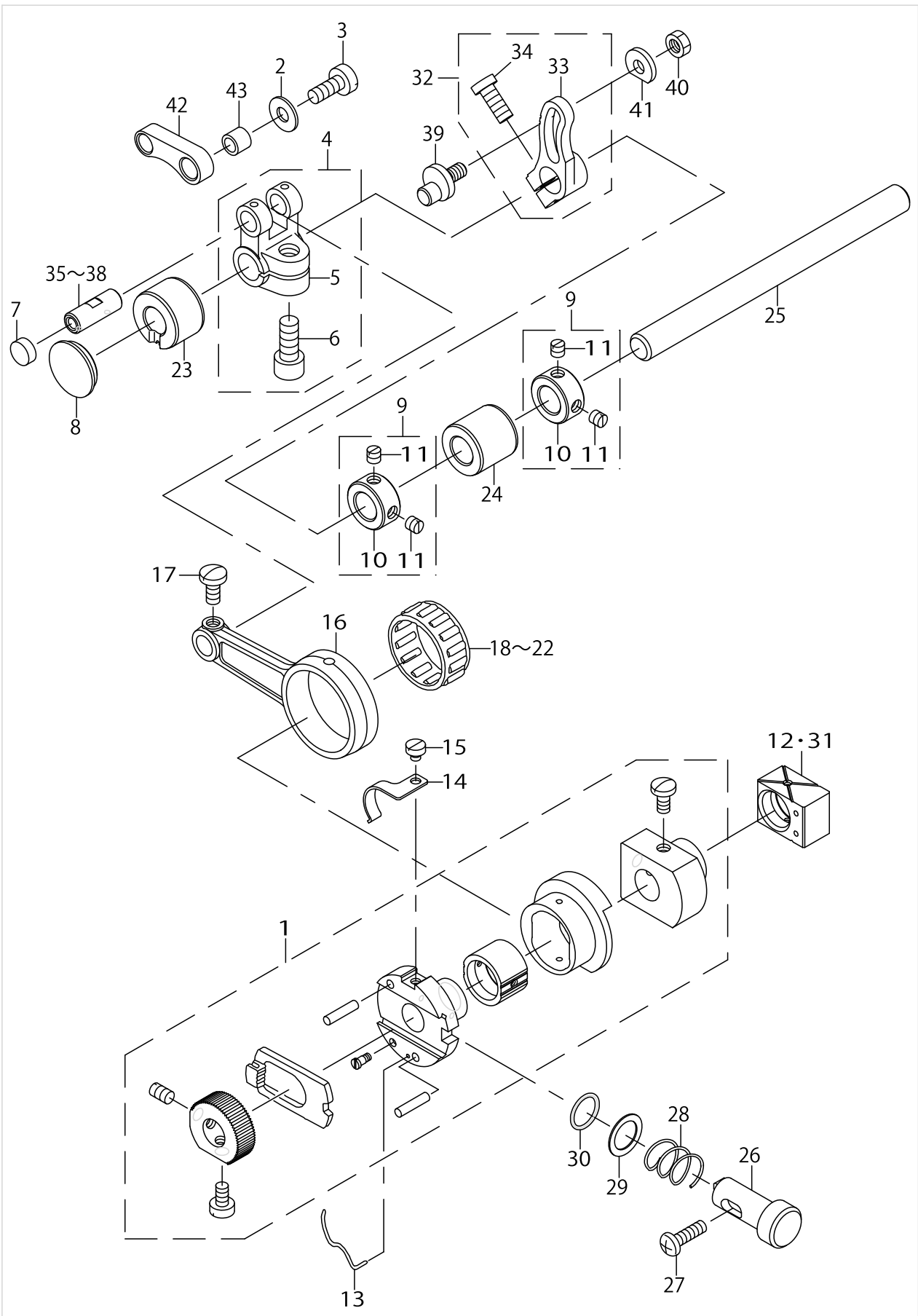
NEEDLE DRIVING SHAFT COMPONENTS



NEEDLE DRIVING SHAFT COMPONENTS

No.	Parts No.	Parts name	Remarks	Level	Cons	Qty
48	13142609	OIL TUBE HOLDER		*		1
49	13122007	FEED BRANCH CRANK PIN A	SELECTIVE PARTS			1
50	13122106	FEED BRANCH CRANK PIN B	SELECTIVE PARTS			1
51	13122205	FEED BRANCH CRANK PIN C	SELECTIVE PARTS			1
52	13122304	FEED BRANCH CRANK PIN D	SELECTIVE PARTS			1
53	MDC270B1100	NEEDLE DCX27 #11	FOR MO-6914R,MO-6916R			2
54	13172754	THRUST COLLAR ASM.				2
55	13172705	THRUST COLLAR		*		1
56	SS8660610TP	SCREW 1/4-40 L=6		*		2
57	SS8090530TP	SCREW 9/64-40 L=5.0				2
58	CQ202000000	OIL WICK				0.09
59	SS8090530TP	SCREW 9/64-40 L=5.0				1
60	CQ252000000	OIL WICK				0.04
61	SD0280401SL	HINGE SCREW D=2.8 H=4				1
62	40010885	NEEDLE CLAMP	FOR MO-6904R			1
63	13175203	NEEDLE CLAMP 2-NEEDLE	FOR MO-6914R			1
64	12257002	CHAIN LOOPER NEEDLE CLAMP DEA	FOR MO-6916R			1
65	SS8080310TP	SCREW 1/8-44 L=2.8	FOR MO-6904R			1
66	MDC270B1100	NEEDLE DCX27 #11	FOR MO-6904R			1
67	SS8080310TP	SCREW 1/8-44 L=2.8	FOR MO-6914R,MO-6916R			2
68	13208004	NEEDLE DRIVING LINK				1
69	EA9500B0100	CABLE BAND				1
70	13208103	NEEDLE DRIVING LINK WASHER				2

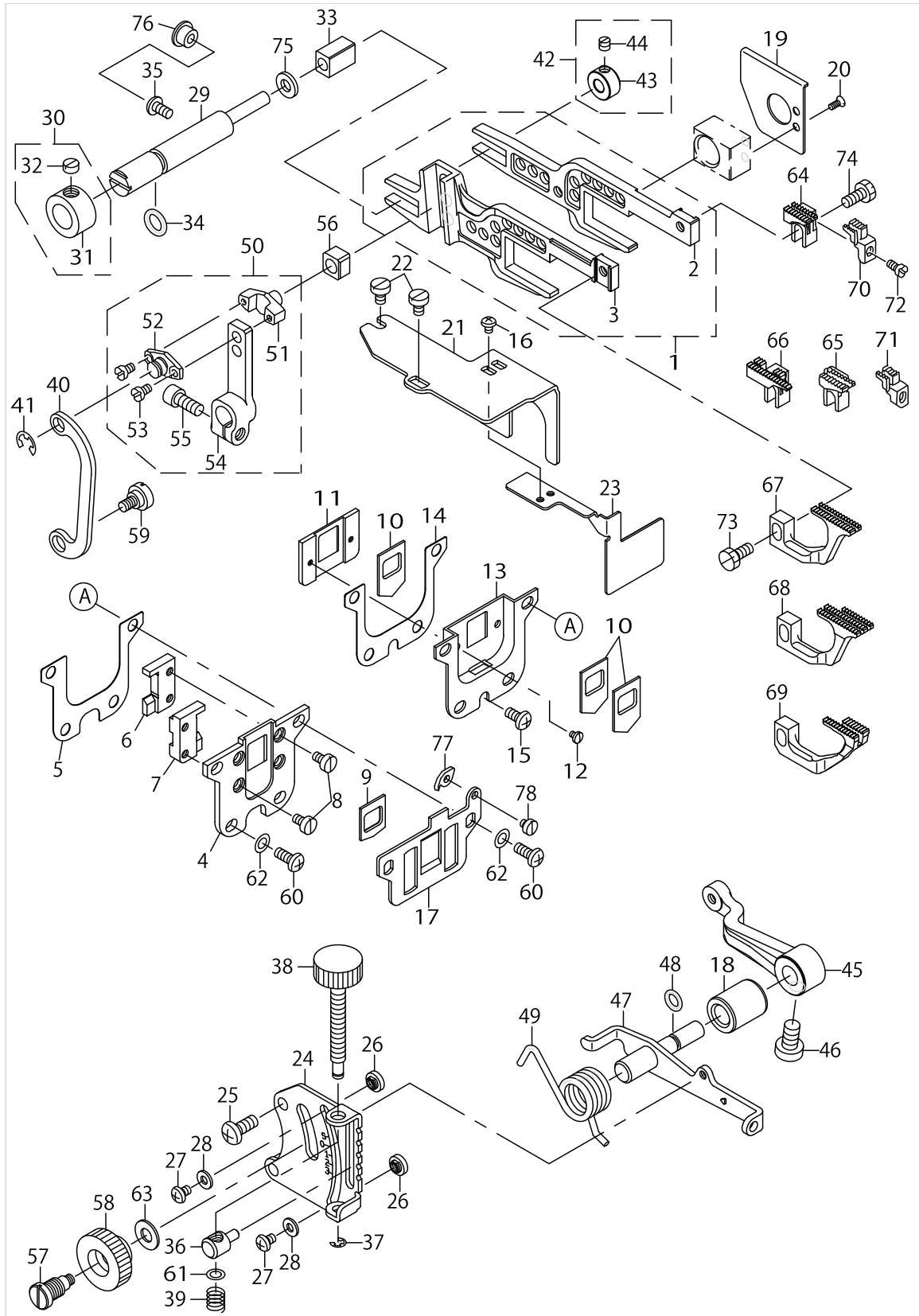
FEED MECHANISM COMPONENTS (1)



FEED MECHANISM COMPONENTS (1)

No.	Parts No.	Parts name	Remarks	Level	Cons	Qty
1	13118054	FEED ECCENTRIC BODY ASM.				1
2	13120605	WASHER				1
3	SS6121220TP	SCREW 3/16-28 L=11.5				1
4	13122452	FEED BRANCH CRANK ASM.				1
5	13122403	FEED BRANCH CRANK		*		1
6	SM6061402TP	SCREW M6 L=14		*		1
7	TA1030402R0	RUBBER PLUG D=10.3 L=4				1
8	TA2050416R0	RUBBER PLUG				1
9	13172556	FEED SHAFT THRUST COLLAR ASM.				2
10	13172507	FEED SHAFT THRUST COLLAR		*		1
11	SS8110410TP	SCREW 11/64-40 L=3.5		*		2
12	13217807	SLIDE BLOCK A	SELECTIVE PARTS			1
13	B1606704000	RATCHET PAWL SPRING				1
14	13119300	RATCHET GEAR SPRING				1
15	SS6080320SP	SCREW 1/8-44 L=2.5				1
16	12282604	CRANK ROD				1
17	SS7110910TP	SCREW 11/64-40 L=8.5				1
18	12116604	NEEDLE BEARING	SELECTIVE PARTS			1
19	12116703	NEEDLE BEARING B	SELECTIVE PARTS			1
20	12116802	NEEDLE BEARING C	SELECTIVE PARTS			1
21	12116901	NEEDLE BEARING D	SELECTIVE PARTS			1
22	12117008	NEEDLE BEARING E	SELECTIVE PARTS			1
23	13119409	FEED SHAFT METAL FRONT				1
24	13119508	FEED SHAFT METAL REAR				1
25	12283008	FEED SHAFT				1
26	13216809	PUSH BUTTON SHAFT				1
27	SM4041455SN	SCREW M4 L=14				1
28	13216601	PUSH BUTTON SPRING				1
29	13216700	PUSH BUTTON SHAFT WASHER				1
30	13244108	RUBBER RING				1
31	13217906	SLIDE BLOCK B	SELECTIVE PARTS			1
32	11824075	MAIN FEED ARM ASM.				1
33	13119904	MAIN FEED ARM		*		1
34	SM6051202TP	SCREW M5X0.8 L=12		*		1
35	B1612804A00	CRANK PIN (A)	SELECTIVE PARTS			1
36	B1612804B00	CRANK PIN (B)	SELECTIVE PARTS			1
37	B1612804C00	CRANK PIN C	SELECTIVE PARTS			1
38	B1612804D00	CRANK PIN (D)	SELECTIVE PARTS			1
39	13119706	MAIN FEED ARM PIN				1
40	NS6620320SP	NUT 3/16-32				1
41	13120001	WASHER B				1
42	13119805	MAIN FEED LINK				1
43	13120506	PIN COLLAR				1

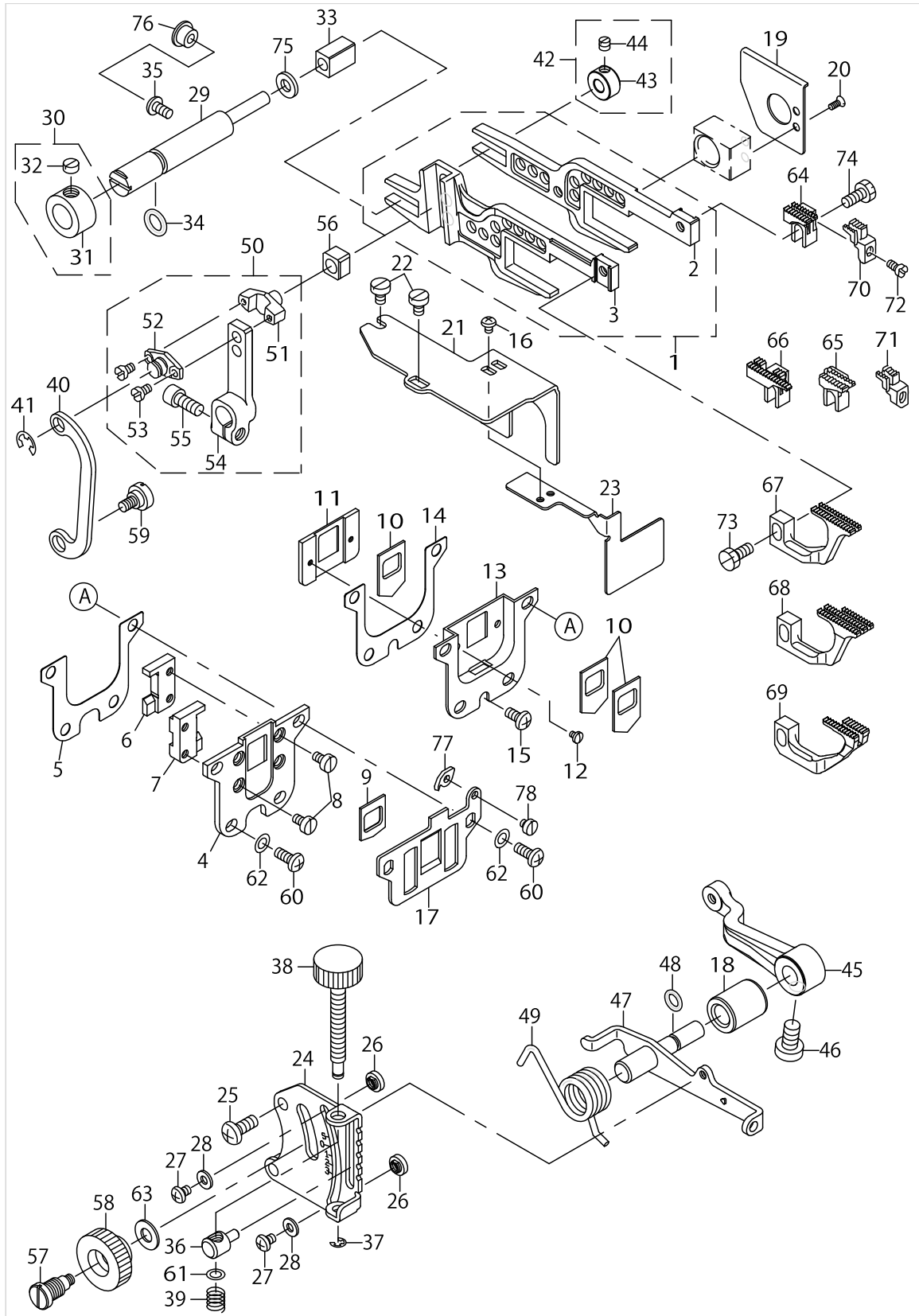
FEED MECHANISM COMPONENTS (2)



FEED MECHANISM COMPONENTS (2)

No.	Parts No.	Parts name	Remarks	Level	Cons	Qty
1	13215157	FEED ROCKER ASM.				1
2	13215108	MAIN FEED BAR		*		1
3	13215207	DIFFERENTIAL FEED BAR		*		1
4	13215306	RUBBER CASE				1
5	13215405	RUBBER CASE GASKET				1
6	13215504	FEED BAR SUPPORT RIGHT				1
7	13215603	FEED BAR SUPPORT LEFT				1
8	SS6090620TP	SCREW				4
9	12118303	DUST-PROOF RUBBER				1
10	70004244	OIL_SHIELD_RUBBER				3
11	13215702	RUBBER HOLDING PLATE				1
12	SS7060310SP	SCREW 3/32-56 L=3				2
13	13215900	OIL SHIELD CASE				1
14	13216007	OIL SHIELD CASE GASKET				1
15	SM4040855SP	SCREW				1
16	SM4030455SP	SCREW				2
17	13215801	THROAT PLATE SUPPORT				1
18	13122700	ADJUSTING SHAFT METAL				1
19	13216106	OIL SHIELD PLATE				1
20	SS1060610SP	SCREW 3/32-56 L=5.5				2
21	13216205	FEED CAM OIL SHIELD PLATE				1
22	SM6040600SP	SCREW M4 L=6				2
23	13216304	OIL SHIELD PLATE				1
24	13122809	DIFFERENTIAL FEED GRADUATION				1
25	SM4051255SP	SCREW M5 L=12				2
26	13121405	ADJUSTING STOPPER				2
27	SS4090515SP	SCREW 9/64-40 L=5				2
28	WP0371016SD	WASHER 3.7X8X1				2
29	13120902	SUPPORT SHAFT				1
30	13121058	HRUST COLLAR ASM.				1
31	13121009	HRUST COLLAR		*		1
32	SS8660330SP	SCREW 1/4-40 L=3.0		*		1
33	13120803	SLIDE BLOCK				1
34	13170204	RUBBER RING				1
35	SM4040855SP	SCREW				1
36	13217708	DIFFERENTIAL FEED BLOCK				1
37	RE0300000K0	E-RING 3				1
38	13213012	ADJUSTING SCREW				1
39	13123302	DIFFERENTIAL FEED SCREW SPRING				1
40	13121306	ADJUSTING LINK				1
41	RE0500000K0	E-RING 5				1
42	13121256	SUPPORT SHAFT COLLAR ASM.				1
43	13121207	SUPPORT SHAFT COLLAR		*		1
44	SS8110410TP	SCREW 11/64-40 L=3.5		*		1
45	13121900	DIFFERENTIAL FEED ROCKER				1
46	SS6661110SP	SCREW 1/4-40 L=11				1
47	13217351	ROCKER SHAFT ASM.				1

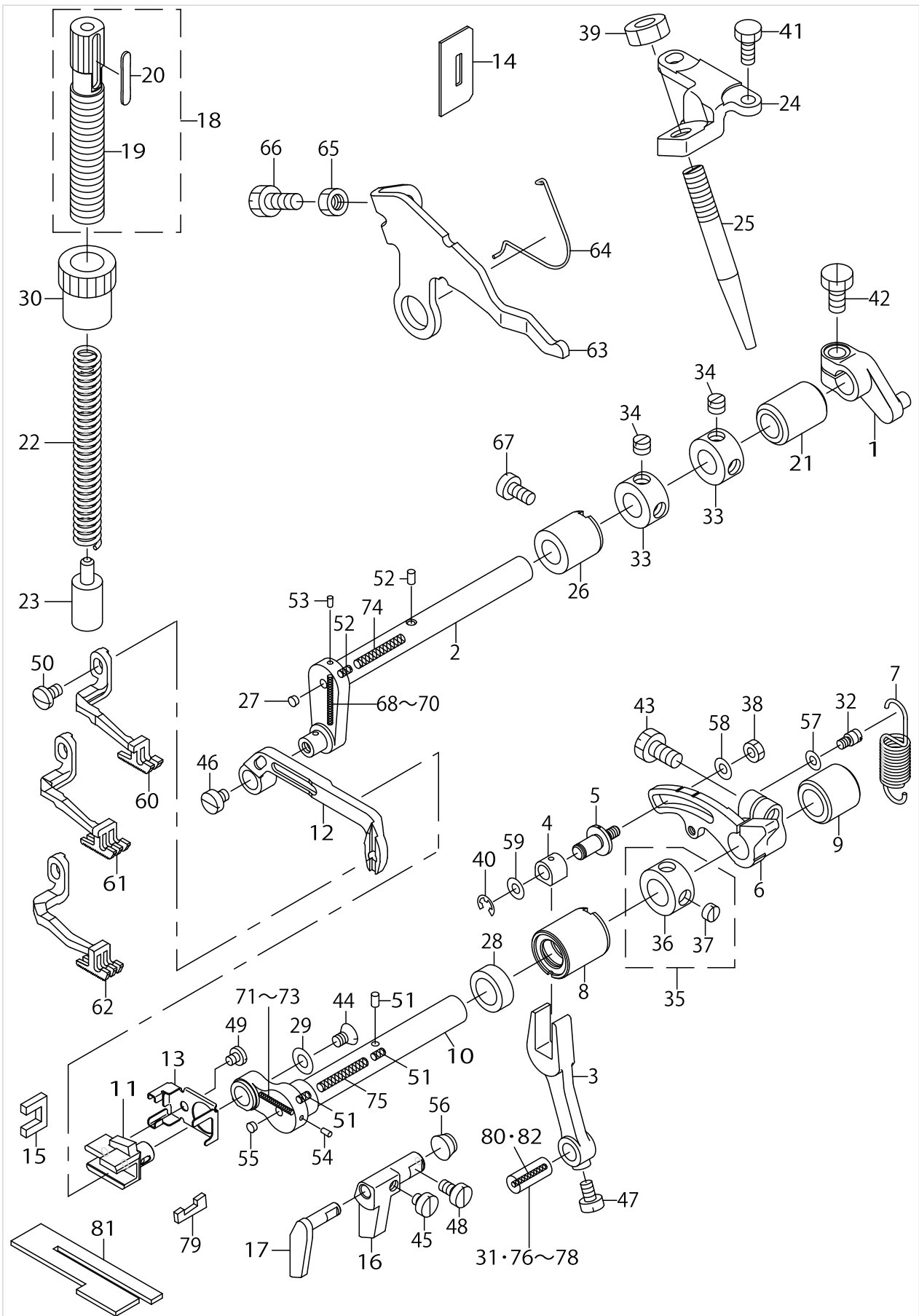
FEED MECHANISM COMPONENTS (2)



FEED MECHANISM COMPONENTS (2)

No.	Parts No.	Parts name	Remarks	Level	Cons	Qty
48	13170501	RUBBER RING				1
49	13121603	ADJUSTING LEVER SPRING				1
50	13218052	DIFFERENTIAL FEED ARM ASM.				1
51	11825304	DIFFERENTIAL FEED PIN		*		1
52	11826401	DIFFERENTIAL FEED PIN COVER		*		1
53	SS6080410SP	SCREW 1/8-44 L=4		*		2
54	13218003	DIFFERENTIAL FEED ARM		*		1
55	SM6051202TP	SCREW M5X0.8 L=12		*		1
56	13218102	SLIDE BLOCK				1
57	13217401	DIFFERENTIAL FEED HINGE SCREW				1
58	13217500	DIFFERENTIAL FEED LOCK NUT				1
59	SD0720271SP	HINGE SCREW D=7.2 H=2.7				1
60	SM4041055SP	SCREW M4 L=10				4
61	WP0460556SD	WASHER 4.6X7.5X0.5				1
62	WP0480856SP	WASHER 4.8X8.4X0.8				4
63	WP0621016SD	WASHER 6.2X13X1				1
64	13191606	MAIN FEED DOG	FOR MO-6904R			1
65	13192000	MAIN FEED DOG	FOR MO-6914R			1
66	13192406	MAIN FEED DOG	FOR MO-6916R			1
67	13192802	DIFFERENTIAL FEED DOG	FOR MO-6904R			1
68	13193206	DIFFERENTIAL FEED DOG	FOR MO-6914R			1
69	13193602	DIFFERENTIAL FEED DOG	FOR MO-6916R			1
70	13191309	AUXILIARY FEED DOG	FOR MO-6904R,MO-6914R			1
71	13191408	AUXILIARY FEED DOG	FOR MO-6916R			1
72	SS4080620TP	SCREW 1/8-44 L=6				1
73	SS9111010SP	SCREW 11/64-40 L=9.5				1
74	SS9111050SP	SCREW 11/64-40 L=9.5				1
75	13121108	WASHER				1
76	TA0800504R0	PLUG D=8 L=4.5				1
77	13200902	FEED MECHANISM COVER PRESSER				1
78	SS6080340SP	SCREW 1/8-44 L=2.9				1

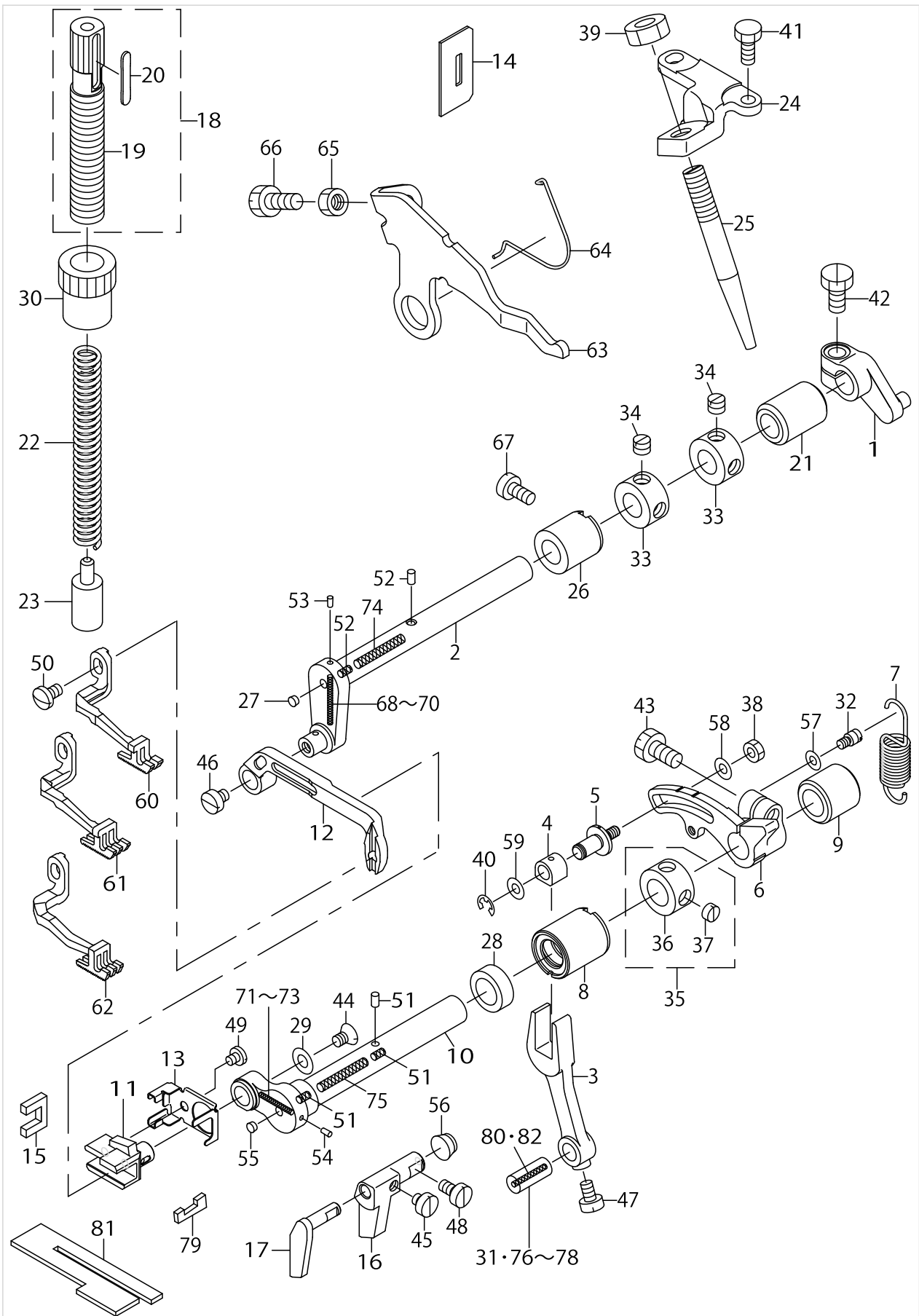
UPPER FEED MECHANISM COMPONENTS (1)



UPPER FEED MECHANISM COMPONENTS (1)

No.	Parts No.	Parts name	Remarks	Level	Cons	Qty
1	31208507	HORIZONTAL ARM C				1
2	31208606	HORIZONTAL SHAFT				1
3	31208705	VERTICAL ROD				1
4	31208804	VERTICAL SLIDE BLOCK				1
5	31208903	VERTICAL ADJUST PIN				1
6	12309605	ADJUST ARM				1
7	12309704	ADJUST ARM SPRING				1
8	13277405	SHAFT METAL FRONT				1
9	12309902	VERTICAL SHAFT REAR METAL				1
10	12310009	SHAFT				1
11	13276308	UPPER FEED SLIDE BLOCK				1
12	13276209	UPPER FEED BAR				1
13	13276704	OIL THROWER RUBBER PRESSER				1
14	12306007	LIFTER RUBBER				1
15	12310504	FEED BAR FELT				1
16	13276407	GUIDE A				1
17	13276506	GUIDE B				1
18	12310850	ADJUST SCREW ASM.				1
19	12310801	ADJUST SCREW		*		1
20	12310900	ADJUST SCREW PLATE		*		1
21	40078183	METAL REAR				1
22	12311007	UPPER PRESSER SPRING				1
23	12311106	UPPER PRESSER SLIDE BLOCK				1
24	31211303	SHAFT SCREW BASE				1
25	31211402	SHAFT SCREW				1
26	12308300	METAL FRONT				1
27	TA0340201R0	PLUG D=3.4X3.9 L=S				1
28	11566809	OIL SEAL				1
29	11913407	SLIDE BLOCK WASHER				1
30	11914405	NUT				1
31	B1612804C00	CRANK PIN C	SELECTIVE PARTS			1
32	B2024771000	SUSPENSION SCREW				1
33	CS1001011SH	THRUST COLLAR				2
34	SS8660530TP	SCREW 1/4-40 L=4.5				2
35	CS111101HSH	THRUST COLLAR ASM.				1
36	CS1111019SH	THRUST COLLAR D=11.11 W=10		*		1
37	SS8660330SP	SCREW 1/4-40 L=3.0		*		1
38	NM6040000SN	NUT M4				1
39	NM6080011SF	NUT M8				1
40	RE0400000K0	E-RING 4				1
41	SM9051203CP	SCREW M5 L=12				2
42	SM9061250TP	SCREW M6 L=12				1
43	SM9061250TP	SCREW M6 L=12				1
44	SS2110710TP	SCREW 11/64-40 L=7				1
45	SS6110420TP	SCREW 11/64-40 L=4.8				1
46	SS6110520TP	SCREW 11/64-40 L=4.5				1
47	SS6110710TP	SCREW 11/64-40 L=6.5				1

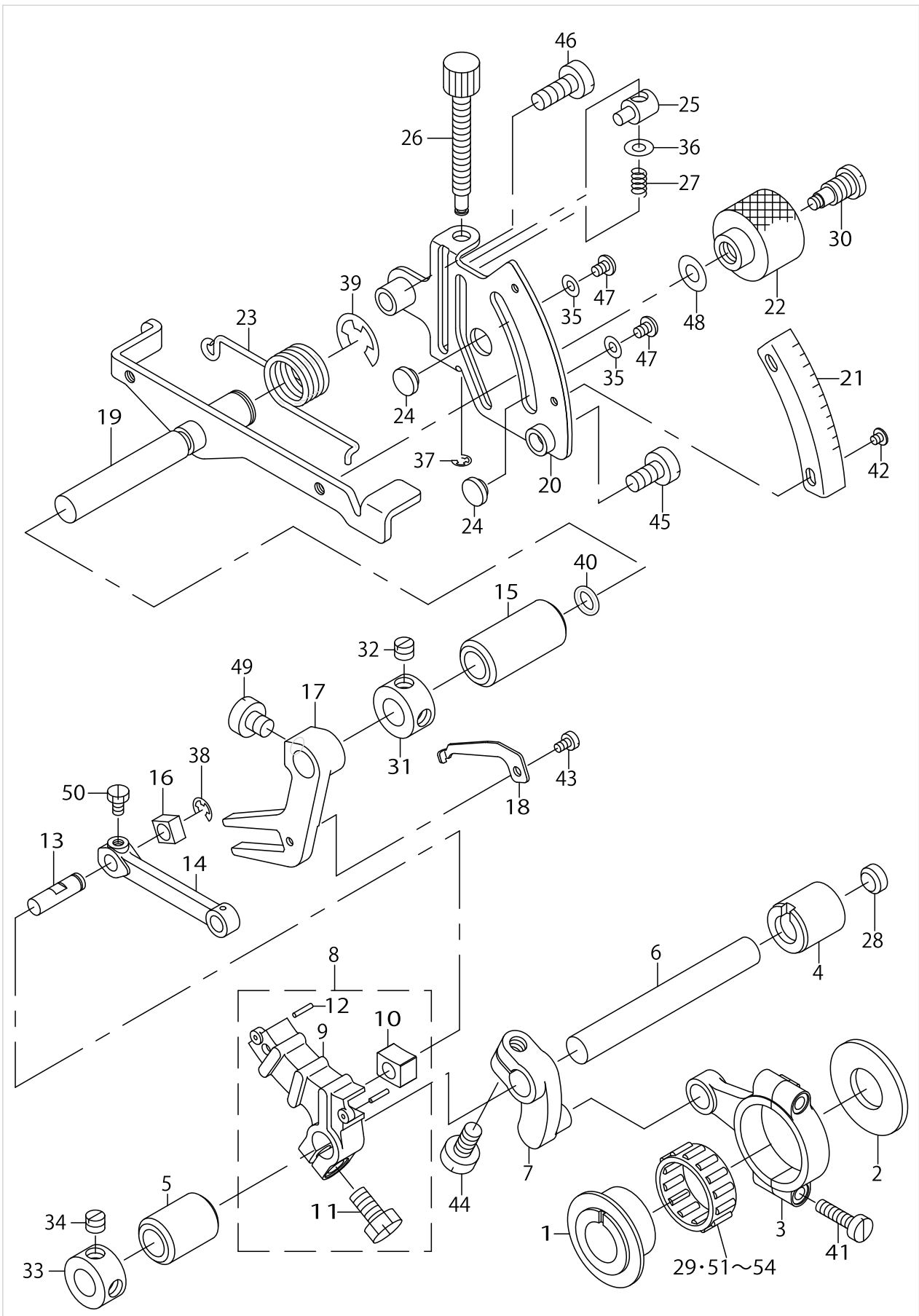
UPPER FEED MECHANISM COMPONENTS (1)



UPPER FEED MECHANISM COMPONENTS (1)

No.	Parts No.	Parts name	Remarks	Level	Cons	Qty
48	SS6110820TP	SCREW 11/64-40 L=8				1
49	SS7090410SP	SCREW 9/64-40 L=3.5				1
50	SS7110740TP	SCREW 11/64-40 L=7				1
51	B3525704000	OIL FELT				3
52	B3525704000	OIL FELT				2
53	TA0180401M0	NEEDLE COOLER PLUG CAP				1
54	TA0180401M0	NEEDLE COOLER PLUG CAP				1
55	TA0340201R0	PLUG D=3.4X3.9 L=2				1
56	TA0800501R0	PLUG D=8X8.2 L=5				1
57	WP0371036SD	WASHER 3.7X6X1				1
58	WP0451026SH	WASHER				1
59	WP0621016SH	WASHER				1
60	13277900	UPPER FEED DOG	FOR MO-3904R			1
61	13278007	UPPER FEED DOG	FOR MO-3914R			1
62	12330007	UPPER FEED DOG	FOR MO-3916R			1
63	31204407	TOP FEED DOG LIFTER B				1
64	12305504	UPPER FEED DOG LIFTER B SPRING				1
65	NS6150430SP	NUT 15/64-28				1
66	SS9151210TP	SCREW 15/64-28 L=11.8				1
67	SS6121020SP	SCREW 3/16-28 L=9.5				1
68	12316402	OIL WICK(VERTICAL A)	SELECTIVE PARTS			1
69	12316501	OIL WICK(VERTICAL B)	SELECTIVE PARTS			1
70	12316600	OIL WICK(VERTICAL C)	SELECTIVE PARTS			1
71	12316709	OIL WICK(VERTICAL A)	SELECTIVE PARTS			1
72	12316808	OIL WICK(VERTICAL B)	SELECTIVE PARTS			1
73	12316907	OIL WICK(VERTICAL C)	SELECTIVE PARTS			1
74	12317103	OIL WICK(HORIZONTAL)				1
75	12317202	OIL WICK (HORIZONTAL)				1
76	B1612804A00	CRANK PIN (A)	SELECTIVE PARTS			1
77	B1612804B00	CRANK PIN (B)	SELECTIVE PARTS			1
78	B1612804D00	CRANK PIN (D)	SELECTIVE PARTS			1
79	13277207	FELT				1
80	CQ252000000	OIL WICK				0.04
81	13276803	ONCE THROUGH OIL FELT A				1
82	CQ202000000	OIL WICK				0.04

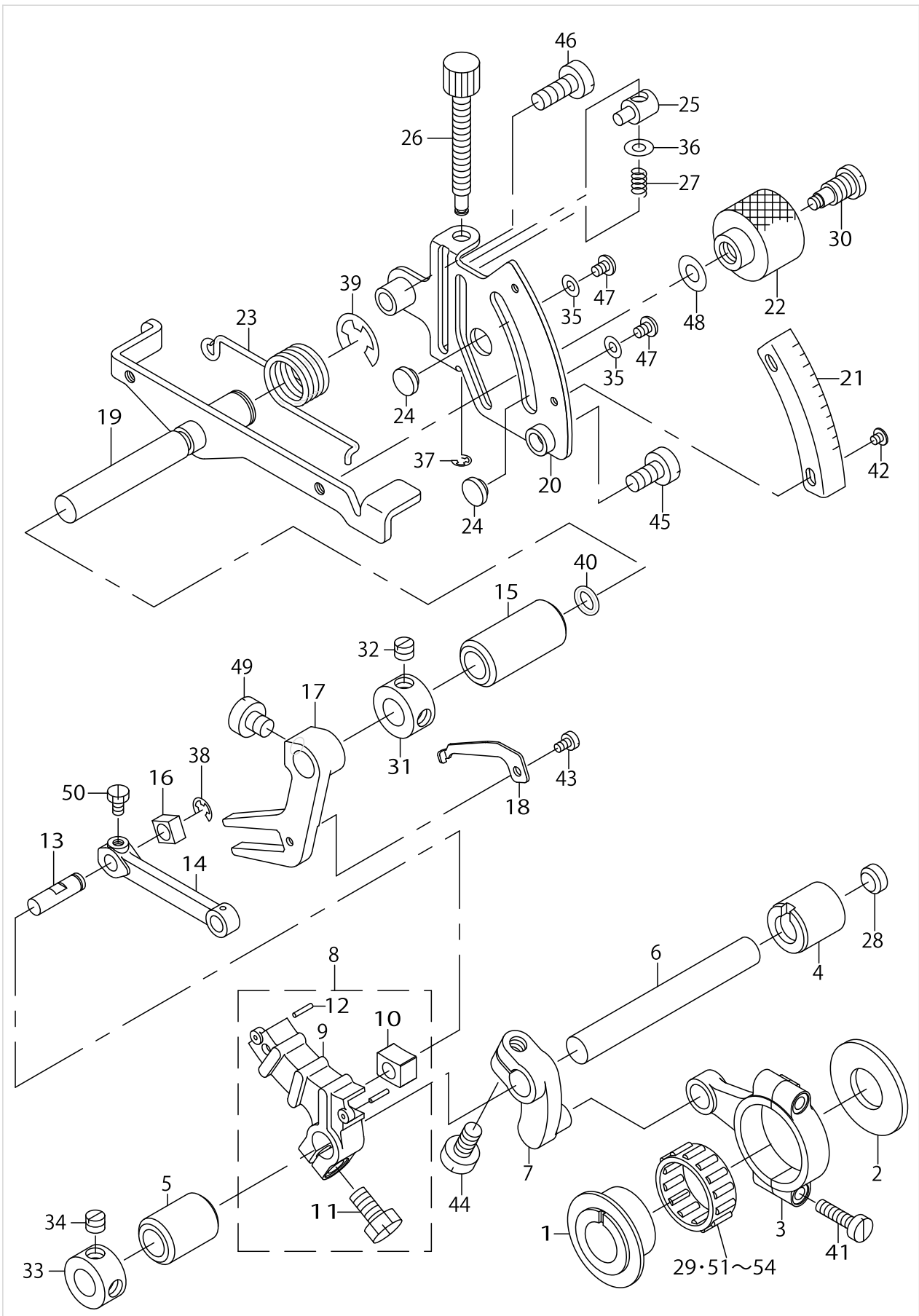
UPPER FEED MECHANISM COMPONENTS (2)



UPPER FEED MECHANISM COMPONENTS (2)

No.	Parts No.	Parts name	Remarks	Level	Cons	Qty
1	31207301	HORIZONTAL FEED CAM				1
2	12308102	CAM SPACER				1
3	12308201	HORIZONTAL ROD				1
4	12308300	METAL FRONT				1
5	12308409	METAL REAR				1
6	12308508	HORIZONTAL DRIVING SHAFT				1
7	31207905	HORIZONTAL ARM A				1
8	12308755	HORIZONTAL ARM B ASM.				1
9	12308706	HORIZONTAL ARM B		*		1
10	12308805	HORIZONTAL SLIDE BLOCK A		*		1
11	SM9061250TP	SCREW M6 L=12		*		1
12	PS0150082KH	SPRING PIN		*		2
13	12308904	HORIZONTAL FEED PIN				1
14	31208408	HORIZONTAL FEED LINK				1
15	12311205	METAL				1
16	31210305	HORIZONTAL SLIDE BLOCK B				1
17	31210404	HORIZONTAL BRANCH ARM				1
18	31210503	HORIZONTAL BRANCH STOPPER				1
19	31210750	ADJUSTING SHAFT COMPL.				1
20	12311809	UPPER FEED SCALE PLATE				1
21	12311908	UPPER FEED GRADUATION B				1
22	12312005	UPPER FEED LOCK NUT				1
23	12312104	UPPER FEED LEVER SPRING				1
24	11529005	STOPPER				2
25	11826005	DIFFERENTIAL FEED BLOCK				1
26	11826104	DIFFERENTIAL FEED SCREW				1
27	11826203	SPRING				1
28	11898400	RUBBER PLUG B				1
29	12116703	NEEDLE BEARING B	SELECTIVE PARTS			1
30	B1646704000A	DIFFERENTIAL FEED HINGE SCREW				1
31	CS1001011SH	THRUST COLLAR				1
32	SS8660530TP	SCREW 1/4-40 L=4.5				1
33	CS1001011SH	THRUST COLLAR				1
34	SS8660530TP	SCREW 1/4-40 L=4.5				1
35	WP0371016SD	WASHER 3.7X8X1				2
36	WP0460556SD	WASHER 4.6X7.5X0.5				1
37	RE0300000K0	E-RING 3				1
38	RE0400000K0	E-RING 4				1
39	RE0900000K0	E-RING 9				1
40	RO068190100	RUBBER RING				1
41	SS7111810TP	SCREW 11/64-40 L=18				2
42	SM0030301SN	SCREW				2
43	SM6030510SC	SCREW M3X0.5 L=5				1
44	SM9061250TP	SCREW M6 L=12				1
45	SM6061210SC	SCREW M6 L=12				1
46	SM6061610SC	SCREW M6 L=16				1
47	SS4090515SP	SCREW 9/64-40 L=5				2

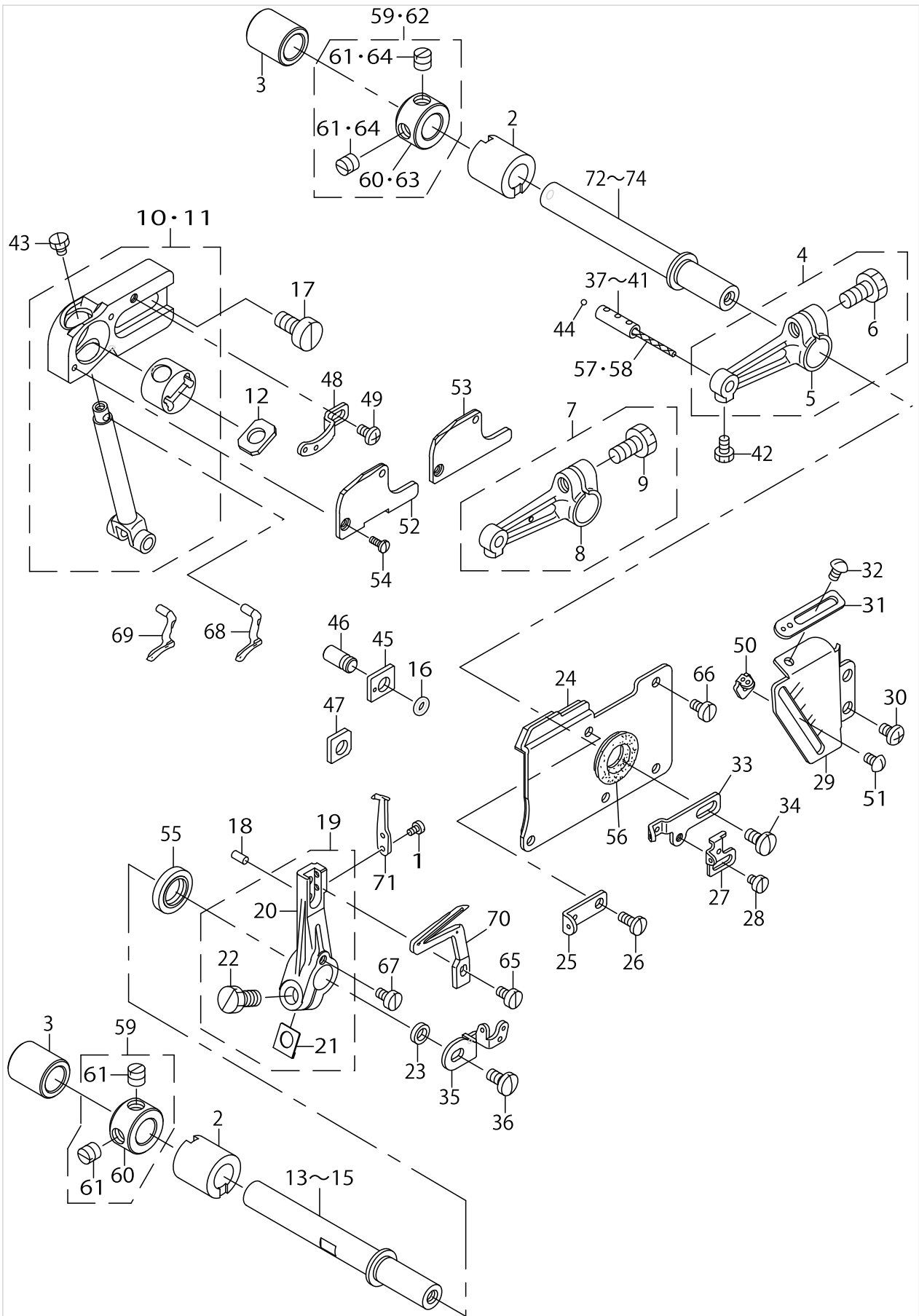
UPPER FEED MECHANISM COMPONENTS (2)



UPPER FEED MECHANISM COMPONENTS (2)

No.	Parts No.	Parts name	Remarks	Level	Cons	Qty
48	WP0621016SD	WASHER 6.2X13X1				1
49	SS6660710TP	SCREW 1/4-40 L=7				1
50	SS9090610TP	SCREW 9/64-40 L=5.5				1
51	12116604	NEEDLE BEARING A	SELECTIVE PARTS			1
52	12116802	NEEDLE BEARING C	SELECTIVE PARTS			1
53	12116901	NEEDLE BEARING D	SELECTIVE PARTS			1
54	12117008	NEEDLE BEARING E	SELECTIVE PARTS			1

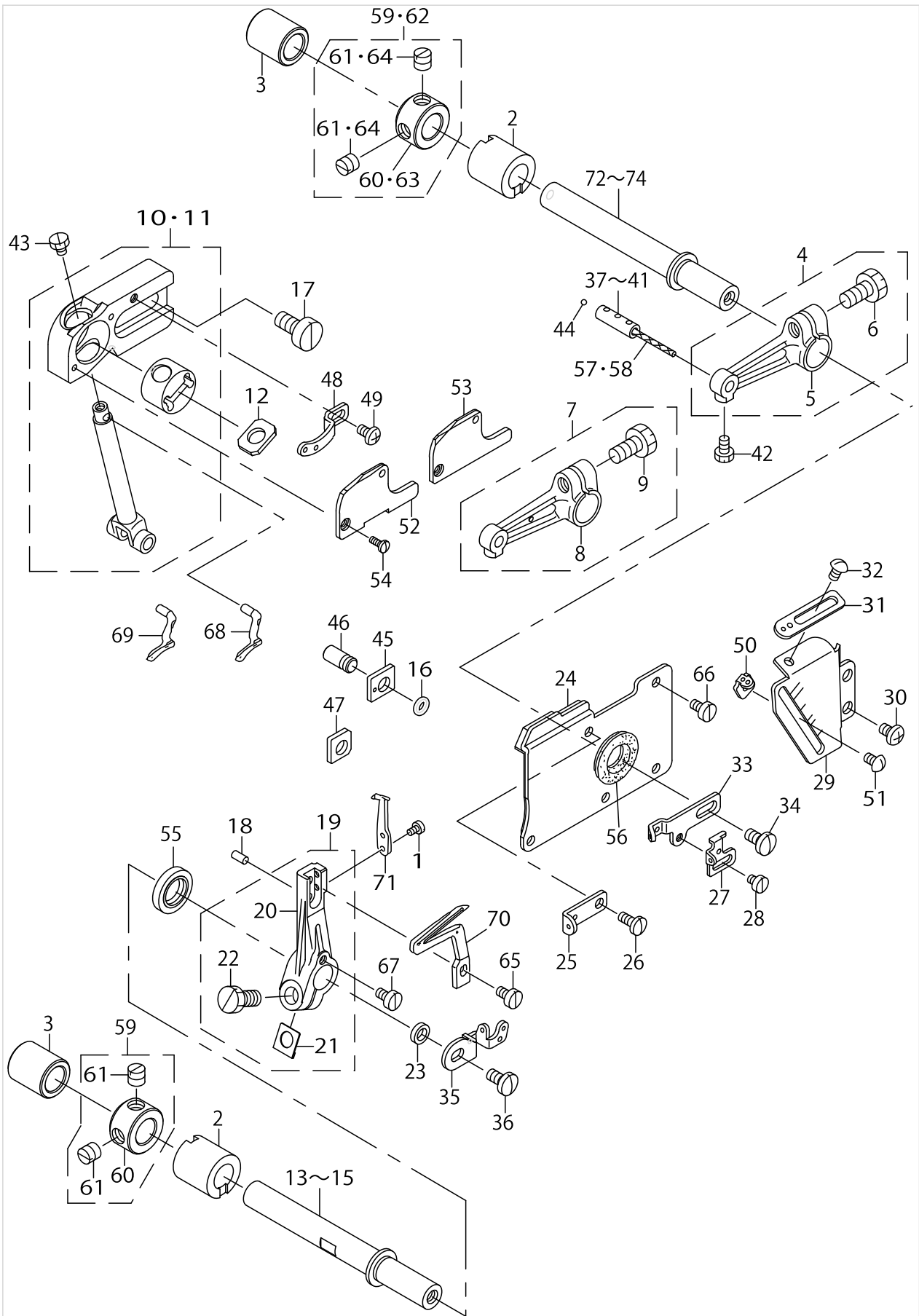
UPPER & LOWER LOOPER COMPONENTS



UPPER & LOWER LOOPER COMPONENTS

No.	Parts No.	Parts name	Remarks	Level	Cons	Qty
1	SS6060440TP	SCREW 3/32-56 L=3.5				2
2	13222609	LOOPER SHAFT FRONT BUSHING				2
3	13222708	LOOPER SHAFT REAR BUSHING				2
4	13131057	UPPER LOOPER ARM A ASM.	FOR MO-6904R,MO-6916R			1
5	13131008	UPPER LOOPER ARM A		*		1
6	SS9151210TP	SCREW 15/64-28 L=11.8		*		1
7	13131156	UPPER LOOPER ARM B ASM.	FOR MO-6914R			1
8	13131107	UPPER LOOPER ARM B		*		1
9	SS9151210TP	SCREW 15/64-28 L=11.8		*		1
10	40015637	GUIDE SUPPORT ASM.	FOR MO-6904R,MO-6916R			1
11	40016841	GUIDE SUPPORT B ASM	FOR MO-6914R			1
12	40011234	DUST SEALING FELT				1
13	13221700	UPPER LOOPER SHAFT A	SELECTIVE PARTS			1
14	13221809	UPPER LOOPER SHAFT B	SELECTIVE PARTS			1
15	13221908	UPPER LOOPER SHAFT C	SELECTIVE PARTS			1
16	13170600	RUBBER RING				1
17	SM6061200SP	SCREW M6 L=12				2
18	PS0300062KH	SPRING PIN 3X6				1
19	13132550	LOWER LOOPER SUPPORT ARM ASM.				1
20	13132501	LOWER LOOPER SUPPORT ARM		*		1
21	13129309	WASHER		*		1
22	SS9151210TP	SCREW 15/64-28 L=11.8		*		1
23	13132600	COLLAR				1
24	13133053	OIL SHIELD PLATE ASM.				1
25	12340600	UPPER LOOPER THREAD GUIDE				1
26	SS7090850SP	SCREW 9/64-40 L=8				1
27	12340709	LOWER LOOPER THREAD TAKE-UP				1
28	SS6080410SP	SCREW 1/8-44 L=4				1
29	13222401	LOOPER THREAD TAKE-UP COVER				1
30	SM4040655SP	SCREW M4 L=6				2
31	12340303	THREAD GUIDE RIGHT				1
32	SS3090610SP	SCREW 9/64-40 L=6				1
33	12340402	THREAD TAKE-UP RIGHT				1
34	SS7110840SP	SCREW 11/64-40 L=7.8				1
35	13132907	LOOPER THREAD TAKE-UP LEFT				1
36	SS7110840SP	SCREW 11/64-40 L=7.8				1
37	13131206	UPPER LOOPER HOLDER PIN A	SELECTIVE PARTS			1
38	13131305	UPPER LOOPER HOLDER PIN B	SELECTIVE PARTS			1
39	13131404	UPPER LOOPER HOLDER PIN C	SELECTIVE PARTS			1
40	13131503	UPPER LOOPER HOLDER PIN D	SELECTIVE PARTS			1
41	13131602	UPPER LOOPER HOLDER PIN E	SELECTIVE PARTS			1
42	SS9090610TP	SCREW 9/64-40 L=5.5				1
43	SS9090410TP	SCREW				1
44	13131701	OIL WICK STOPPER BALL				1
45	13131909	GUIDE SUPPORT GAUGE	FOR MO-6904R,MO-6914R			1
46	13131800	GAUGE FIXING PIN				1
47	13132006	GUIDE SUPPORT GAUGE	FOR MO-6916R			1

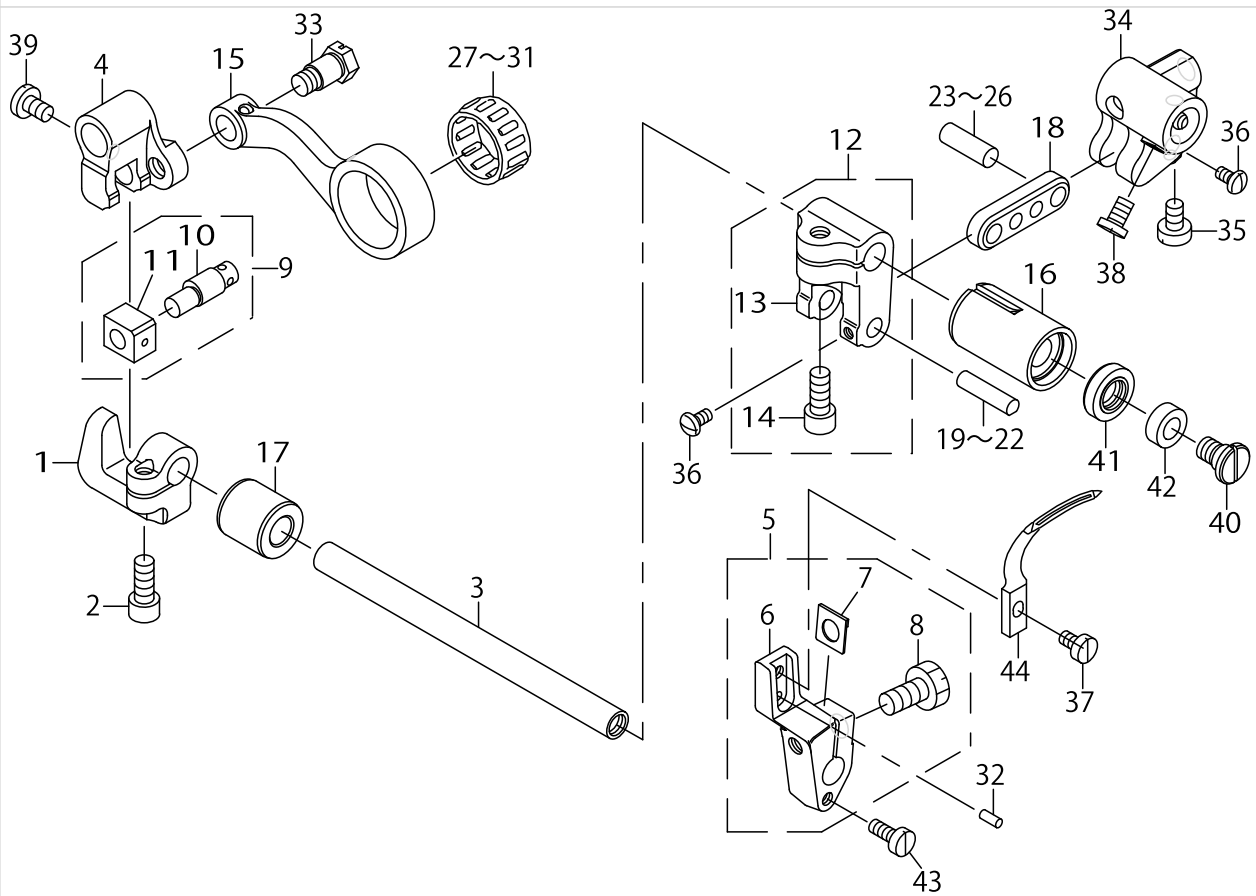
UPPER & LOWER LOOPER COMPONENTS



UPPER & LOWER LOOPER COMPONENTS

No.	Parts No.	Parts name	Remarks	Level	Cons	Qty
48	12340501	THREAD GUIDE UPPER				1
49	SS4090615SP	SCREW 9/64-40 L=6				1
50	12340808	THREAD GUIDE				1
51	SS3090610SP	SCREW 9/64-40 L=6				1
52	13222203	UPPER LOOPER GAUGE COVER	FOR MO-6904R,MO-6916R			1
53	13222302	UPPER LOOPER GAUGE COVER B	FOR MO-6914R			1
54	SS7060610SP	SCREW 3/32-56 L=5.5				2
55	40010804	OIL SEAL RING				1
56	B2530704000	UPPER LOOPER SHAFT RUBBER RING				1
57	CQ200000000	OIL WICK				0.04
58	CQ202000000	OIL WICK				0.04
59	CS1031210SH	THRUST COLLAR ASM. D=10.32 W=12	FOR MO-6904R,MO-6914R			2
60	CS1031219SH	THRUST COLLAR D=10.32 W=12		*		1
61	SS8660610TP	SCREW 1/4-40 L=6		*		2
62	CS1031210SH	THRUST COLLAR ASM. D=10.32 W=12	FOR MO-6916R			1
63	CS1031219SH	THRUST COLLAR D=10.32 W=12		*		1
64	SS8660610TP	SCREW 1/4-40 L=6		*		2
65	SS6090620TP	SCREW				1
66	SS6090630TP	SCREW 9/64-40 L=6				4
67	SS6090630TP	SCREW 9/64-40 L=6				1
68	11888104	UPPER LOOPER	FOR MO-6904R,MO-6916R			1
69	12176004	UPPER LOOPER	FOR MO-6914R			1
70	11999307	LOWER LOOPER				1
71	11890001	TRAVELING NEEDLE GUARD				1
72	13221403	UPPER LOOPER SHAFT A	SELECTIVE PARTS			1
73	13221502	UPPER LOOPER SHAFT B	SELECTIVE PARTS			1
74	13221601	UPPER LOOPER SHAFT C	SELECTIVE PARTS			1

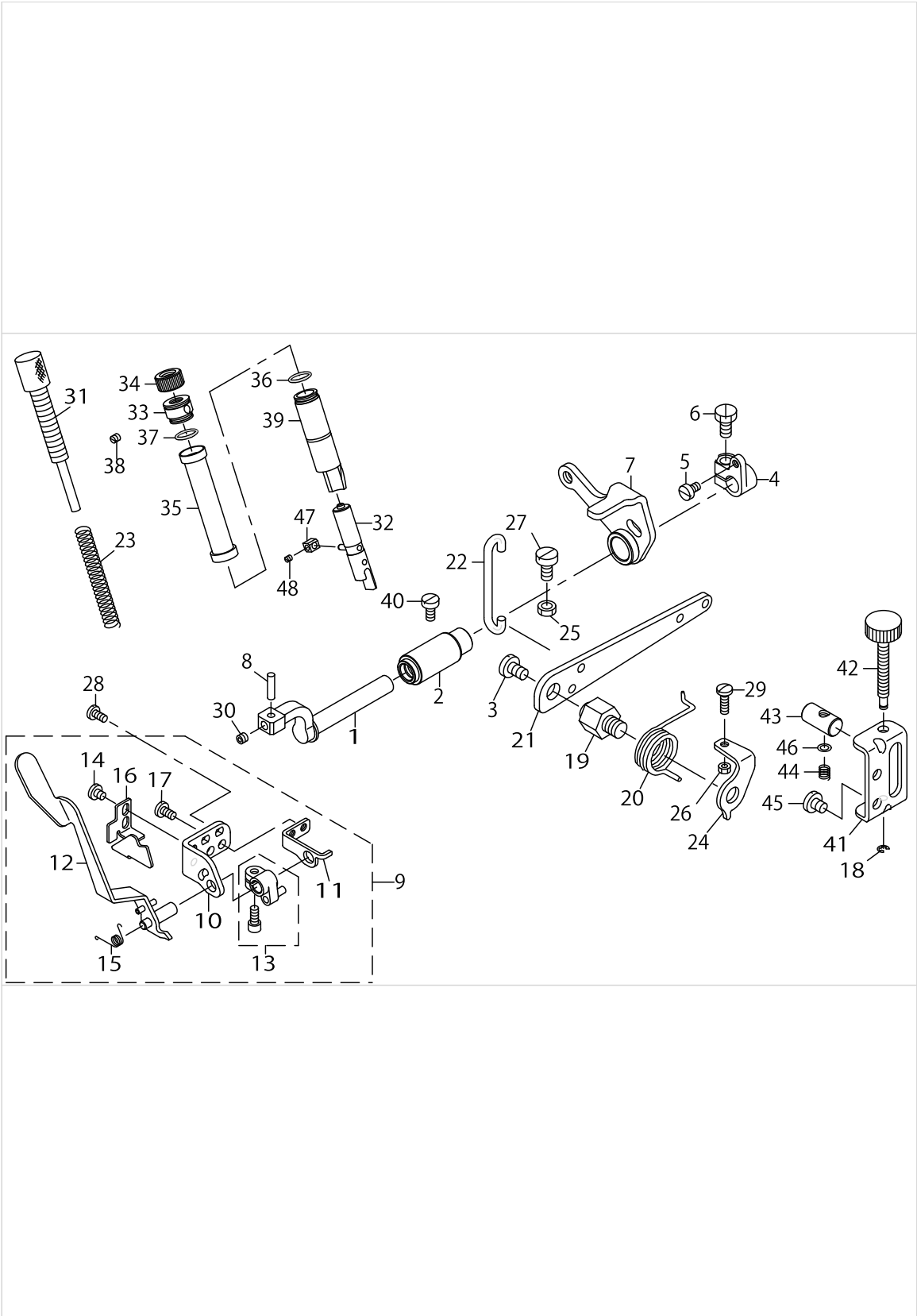
CHAIN LOOPER COMPONENTS (FOR MO-6916R)



CHAIN LOOPER COMPONENTS (FOR MO-6916R)

No.	Parts No.	Parts name	Remarks	Level	Cons	Qty
1	12342309	BRACKET				1
2	SM6051202TP	SCREW M5X0.8 L=12				1
3	13126909	CHAIN LOOPER SHAFT				1
4	13126008	FRONT-AND-REAR ARM				1
5	13129952	CHAIN LOOPER DRIVING ARM ASM.				1
6	13129903	CHAIN LOOPER DRIVING ARM		*		1
7	13129309	WASHER		*		1
8	SS9151210TP	SCREW 15/64-28 L=11.8		*		1
9	11829751	CHAIN LOOPER SLIDE BLOCK PIN				1
10	B2120816000	CHAIN LOOPER SLIDE BLOCK PIN		*		1
11	B2105816000	CHAIN LOOPER SLIDE BLOCK		*		1
12	13125950	CHAIN LOOPER DRIVING ARM ASM.				1
13	13125901	CHAIN LOOPER DRIVING ARM		*		1
14	SM6051202TP	SCREW M5X0.8 L=12		*		1
15	13220009	CHAIN LOOPER ROD				1
16	13128103	BUSHING FORNT				1
17	13127006	BUSHING REAR				1
18	12342200	CHAIN LOOPER SHAFT DRIV LINK				1
19	13126503	PIN LONG A	SELECTIVE PARTS			1
20	13126602	PIN LONG B	SELECTIVE PARTS			1
21	13126701	PIN LONG C	SELECTIVE PARTS			1
22	13126800	PIN LONG D	SELECTIVE PARTS			1
23	13127204	PIN SHORT A	SELECTIVE PARTS			1
24	13127303	PIN SHORT B	SELECTIVE PARTS			1
25	13127402	PIN SHORT C	SELECTIVE PARTS			1
26	13127501	PIN SHORT D	SELECTIVE PARTS			1
27	B2119816A00	BEARING A	SELECTIVE PARTS			1
28	B2119816B00	BEARING B	SELECTIVE PARTS			1
29	B2119816C00	BEARING C	SELECTIVE PARTS			1
30	B2119816D00	BEARING D	SELECTIVE PARTS			1
31	B2119816E00	BEARING E	SELECTIVE PARTS			1
32	PS0250062KH	SPRING PIN 2.5X6				1
33	SD0720803TH	STEP-SCREW D=7.24 H=8				1
34	12121612	DRIVING BALL ARM BRACKET				1
35	SS6110710TP	SCREW 11/64-40 L=6.5				1
36	SS4080620TP	SCREW 1/8-44 L=6				2
37	SS6090620TP	SCREW				1
38	SS6110710TP	SCREW 11/64-40 L=6.5				2
39	SS7110720TP	SCREW 11/64-40 L=7				1
40	SD0720332SP	HINGE SCREW D=7.24 H=3.3				1
41	40010805	OIL SEAL RING				1
42	13130109	ADJUSTING WASHER				1
43	SS6090920SP	SCREW				1
44	12120705	CHAIN LOOPER				1

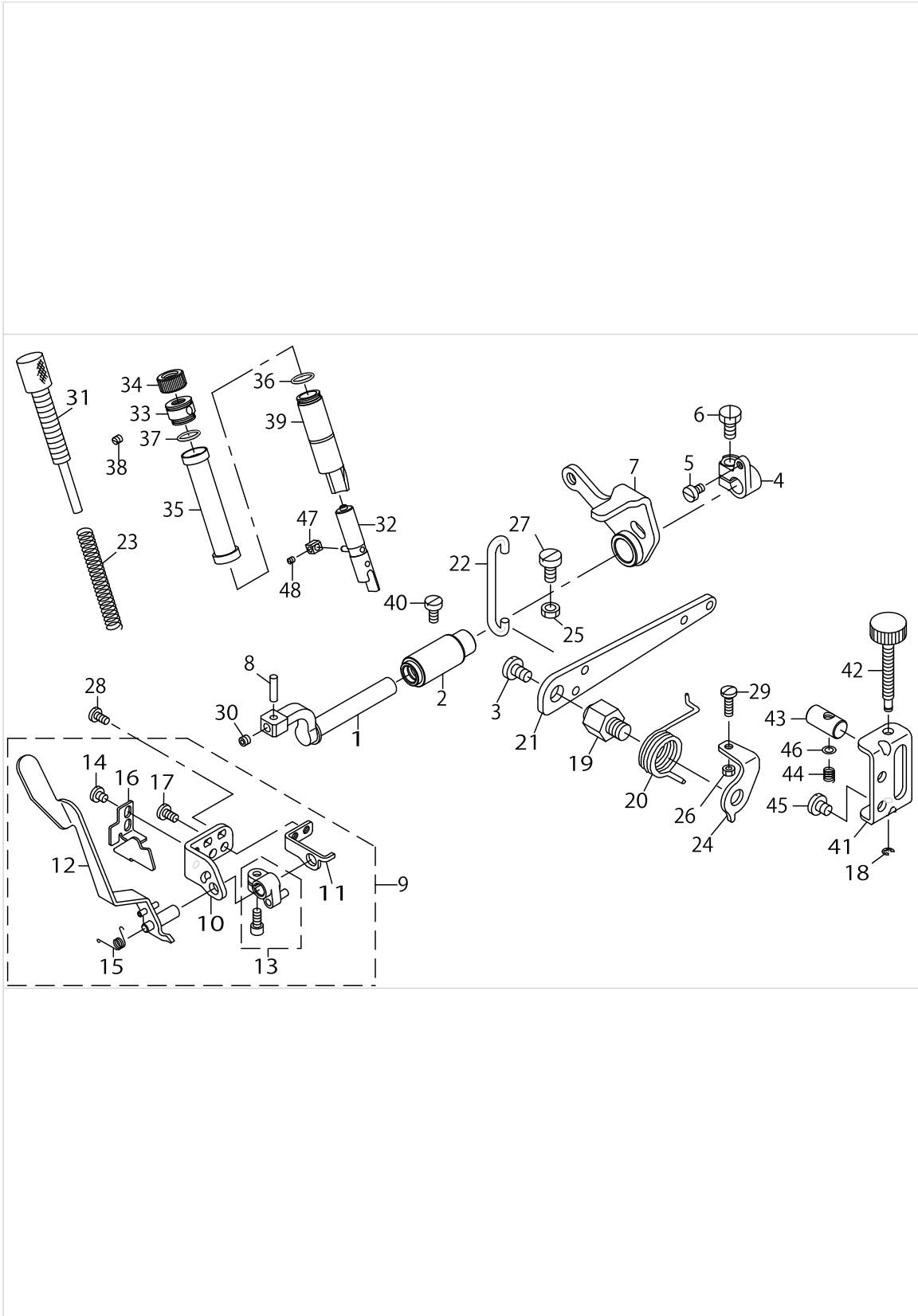
PRESSER FOOT COMPONENTS (1)



PRESSER FOOT COMPONENTS (1)

No.	Parts No.	Parts name	Remarks	Level	Cons	Qty
1	12113205	PRESSER FOOT SHAFT				1
2	13273701	PRESSER FOOT SHAFT BUSHING				1
3	SS7161040SP	SCREW 1/4-24 L=9.5				1
4	12113817	PRESSER FOOT SHAFT THRUST ARM				1
5	SS6110710TP	SCREW 11/64-40 L=6.5				1
6	SS9151210TP	SCREW 15/64-28 L=11.8				1
7	31204258	PRESSER LIFTING ARM ASM.				1
8	13115407	PRESSER FOOT ARM HINGE SHAFT				1
9	13274253	FOOT LIFTING LEVER STAND ASM.				1
10	12306106	FOOT LIFTING LEVER STAND A		*		1
11	13274204	FOOT LIFTING LEVER STAND B		*		1
12	12306353	FOOT LIFTING LEVER JUNCTION		*		1
13	12306551	UPPER FEED DOG LIFTER A ASM.		*		1
14	SS7110510SP	SCREW 11/64-40 L=5		*		2
15	12306601	SPRING		*		1
16	12306700	PRESSER ARM STOPPER		*		1
17	SS7110840SP	SCREW 11/64-40 L=7.8		*		2
18	RE0300000K0	E-RING 3				1
19	13117007	PRESSER LIFTING LEVER SCREW				1
20	13116306	PRESSER LIFTING LEVER SPRING				1
21	13116900	PRESSER LIFTING LEVER				1
22	12306809	LIFTING HOOK				1
23	13116207	PRESSER FOOT SPRING				1
24	13116603	PRESSER LIFTING LEVER SPRING				1
25	NM6060003SC	NUT M6				1
26	NS6110420SP	NUT 11/64-40				1
27	SM6061200SP	SCREW M6 L=12				1
28	SS7110840SP	SCREW 11/64-40 L=7.8				2
29	SS7111410TP	SCREW 11/64-40 L=14				1
30	SM8050412TP	SCREW M5 L=4				1
31	40034897	PRESSER ADJUSTING SCREW				1
32	40011753	PRESSER BAR ASM.				1
33	12288700	RESSER REGULATOR SCREW WASHER				1
34	13117106	PRESSER REGULATOR NUT				1
35	13212709	PRESSER BAR COVER				1
36	13170402	RUBBER RING				2
37	13170402	RUBBER RING				1
38	SM8040402TP	SCREW M4X0.7 L=4				1
39	13213301	PRESSER BAR BUSHING				1
40	SS6121020SP	SCREW 3/16-28 L=9.5				1
41	13212808	ADJUSTING BASE				1
42	13213012	ADJUSTING SCREW				1
43	13212915	ADJUSTING BLOCK				1
44	13123302	ADJUSTING SPRING				1
45	SS7150740SP	SCREW 15/64-28 L=7				2
46	WP0460556SD	WASHER 4.6X7.5X0.5				1
47	70004672	SLIDE BLOCK				1

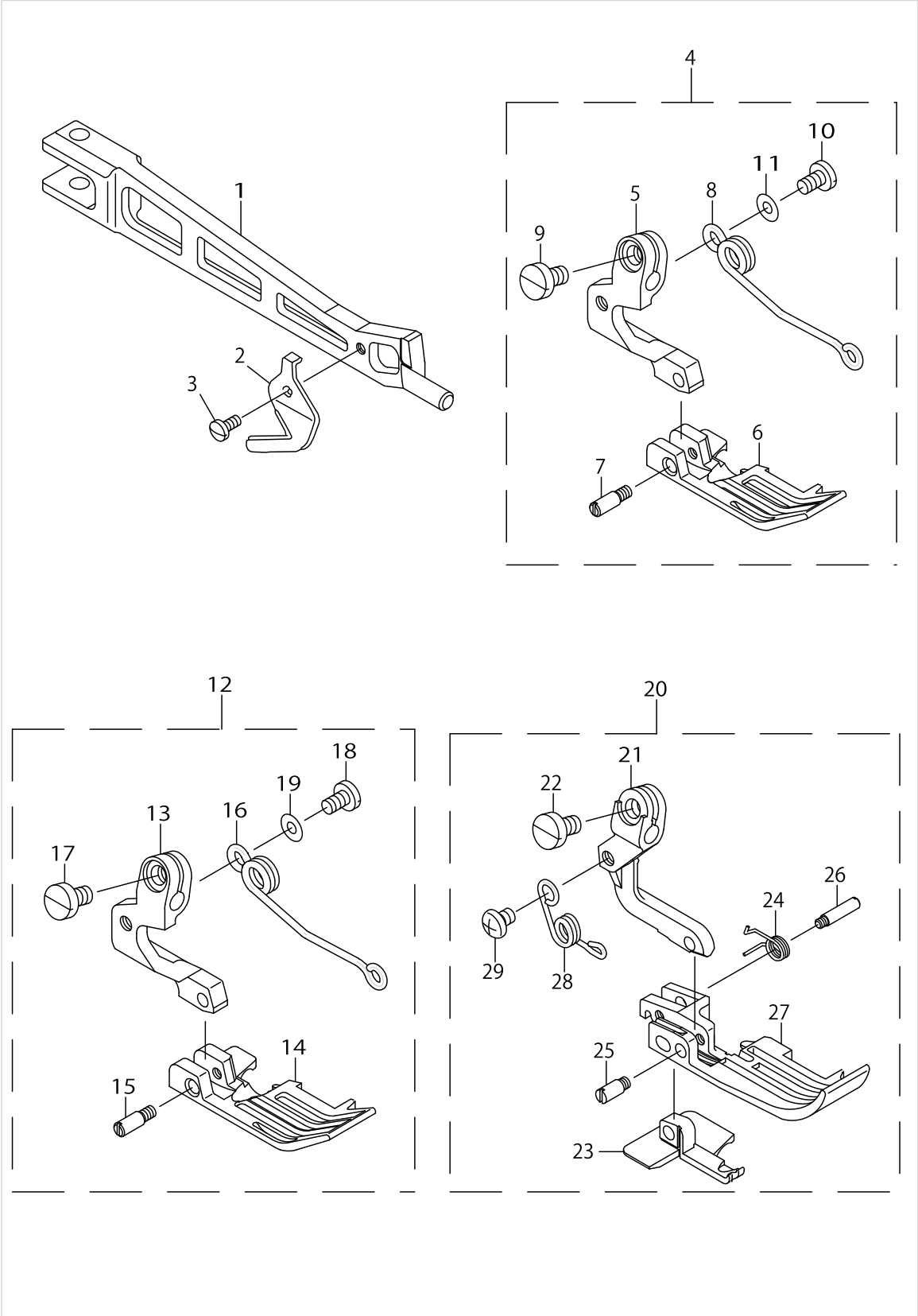
PRESSER FOOT COMPONENTS (1)



PRESSER FOOT COMPONENTS (1)

No.	Parts No.	Parts name	Remarks	Level	Cons	Qty
48	SS8080310TP	SCREW 1/8-44 L=2.8				1

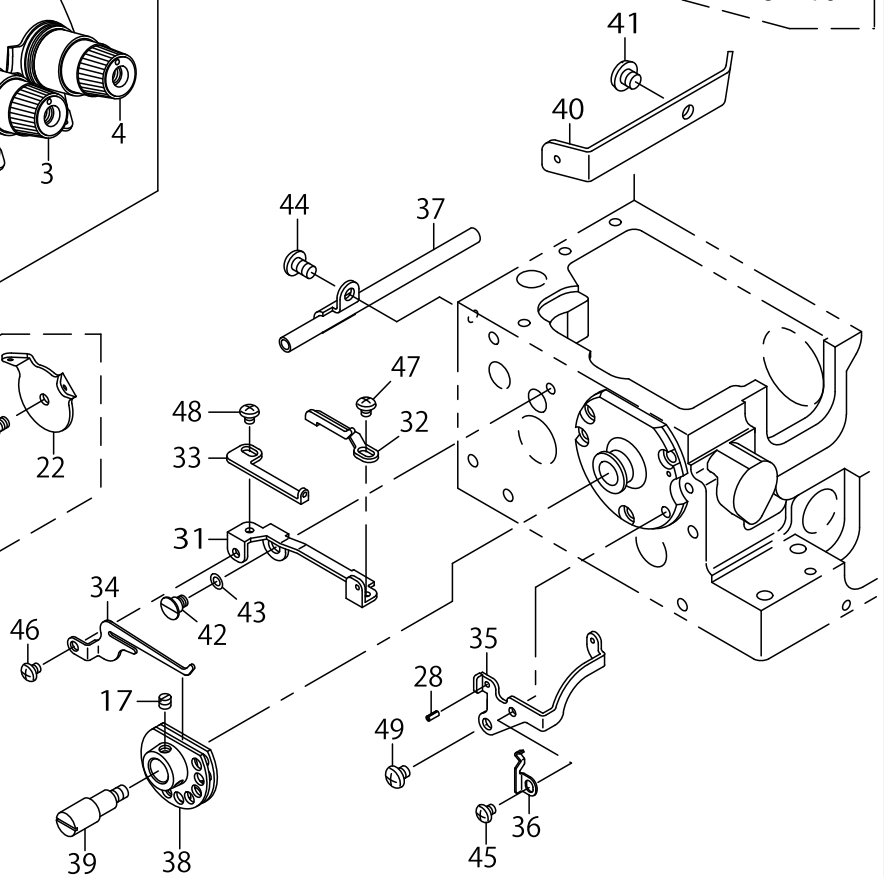
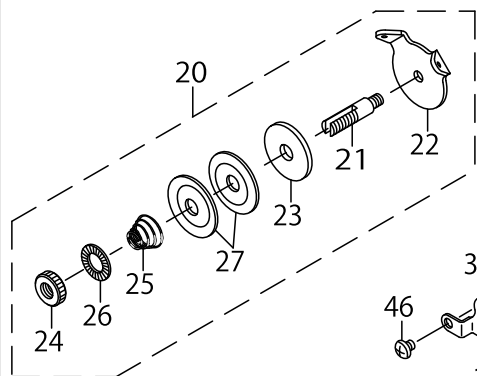
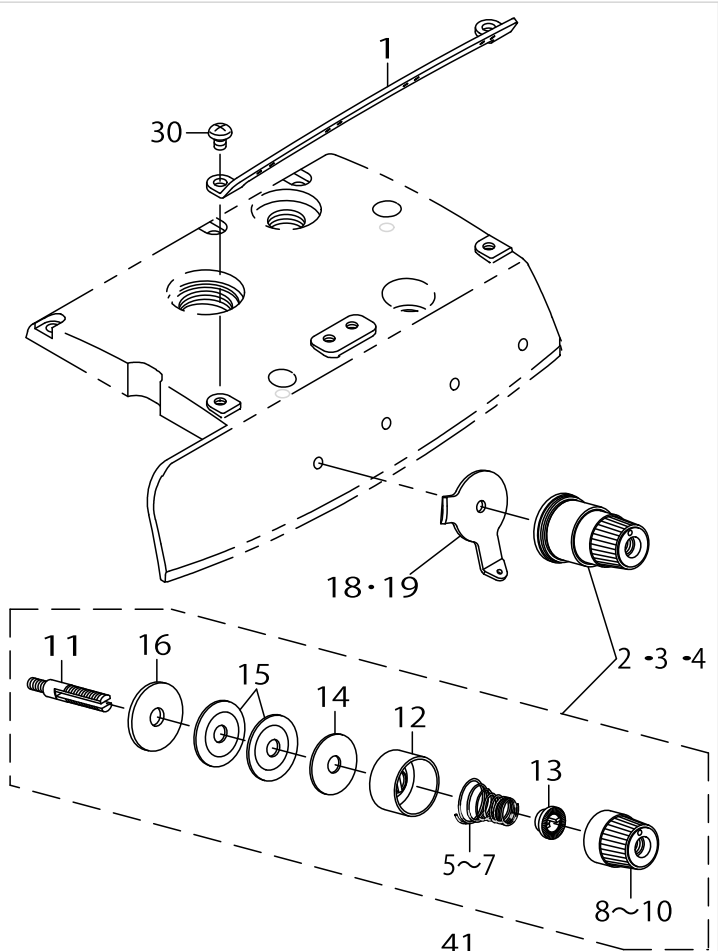
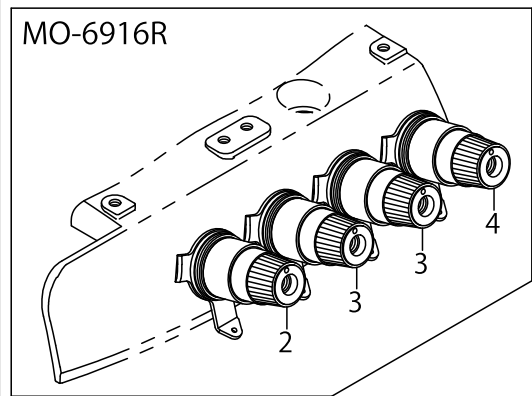
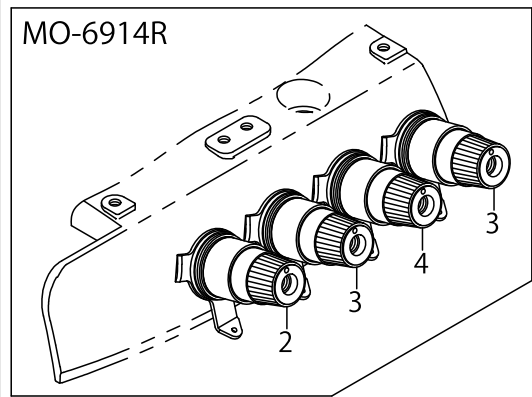
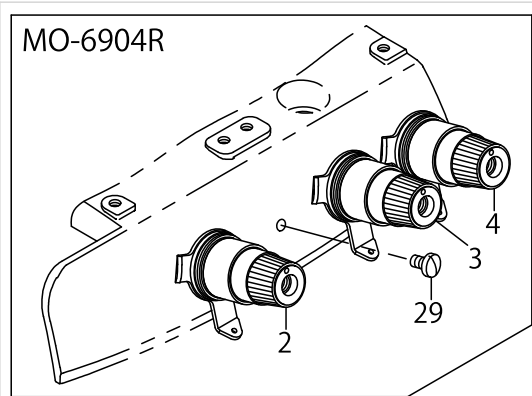
PRESSER FOOT COMPONENTS (2)



PRESSER FOOT COMPONENTS (2)

No.	Parts No.	Parts name	Remarks	Level	Cons	Qty
1	12305611	PURESSER FOOT ARM				1
2	13116702	THREAD TRIMMER				1
3	SS7060510SP	SCREW 3/32-56 L=4.8				1
4	13278759	PRESSER FOOT ASM.	FOR MO-6904R			1
5	13278908	PRESSER FOOT HINGE		*		1
6	13278700	PRESSER FOOT		*		1
7	11930500	PRESSER FOOT HINGE PIN		*		1
8	11930906	PRESSER FOOT SPRING		*		1
9	SS6090670TP	SCREW 9/64-40 L=6		*		1
10	SS7080520SP	SCREW 1/8-44 L=4.9		*		1
11	WP0371026SD	WASHER 3.7X7X1		*		1
12	13278858	PRESSER FOOT ASM.	FOR MO-6914R			1
13	13278908	PRESSER FOOT HINGE		*		1
14	13278809	PRESSER FOOT		*		1
15	11930500	PRESSER FOOT HINGE PIN		*		1
16	11930906	PRESSER FOOT SPRING		*		1
17	SS6090670TP	SCREW 9/64-40 L=6		*		1
18	SS7080520SP	SCREW 1/8-44 L=4.9		*		1
19	WP0371026SD	WASHER 3.7X7X1		*		1
20	12320057	PRESSER FOOT ASM.	FOR MO-6916R			1
21	12320206	PRESSER FOOT HINGE		*		1
22	SS6090670TP	SCREW 9/64-40 L=6		*		1
23	12320107	REAR PRESSER		*		1
24	11931706	SPRING		*		1
25	11930708	PRESSER FOOT HINGE PIN		*		1
26	11930807	HINGE PIN		*		1
27	12320008	PRESSER		*		1
28	12320305	PRESSER FOOT ARM SPRING		*		1
29	SS4080415SP	SCREW 1/8-44 L=4		*		1

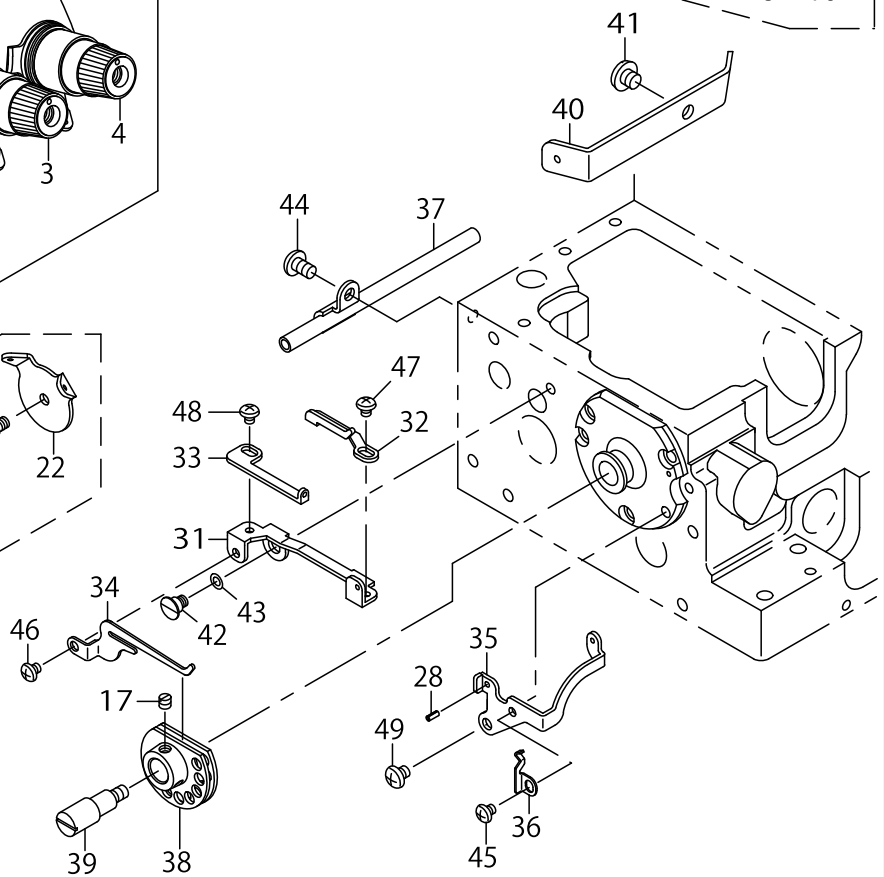
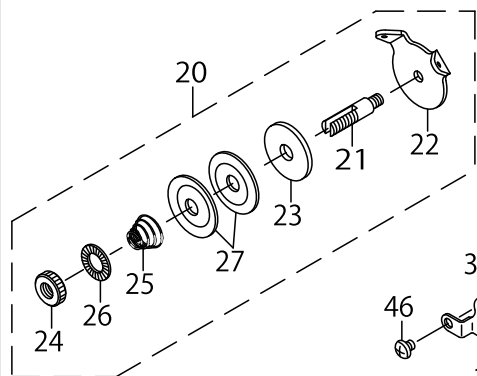
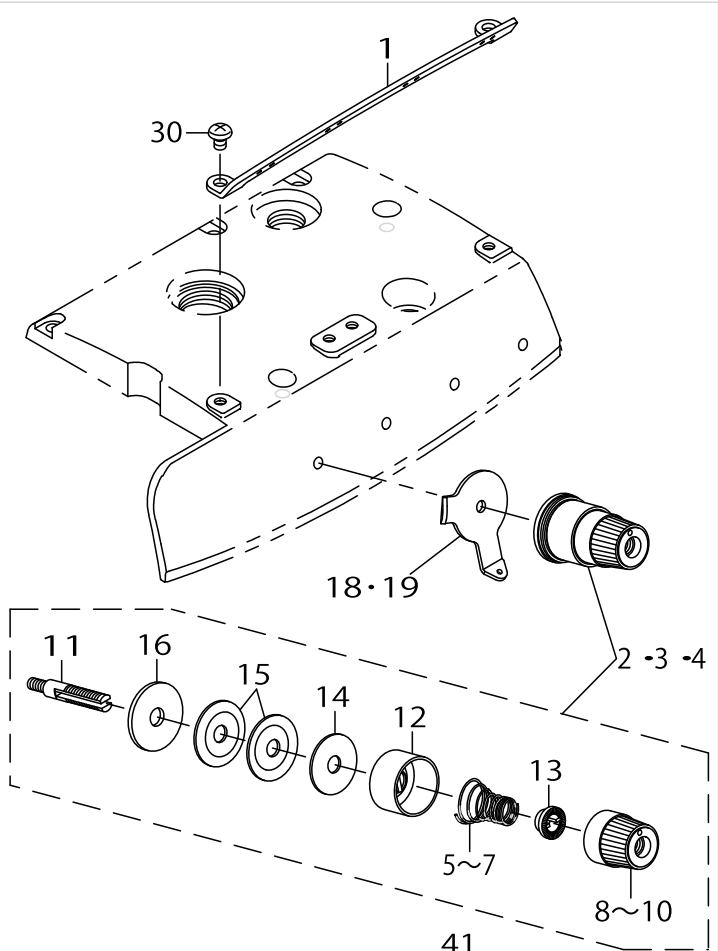
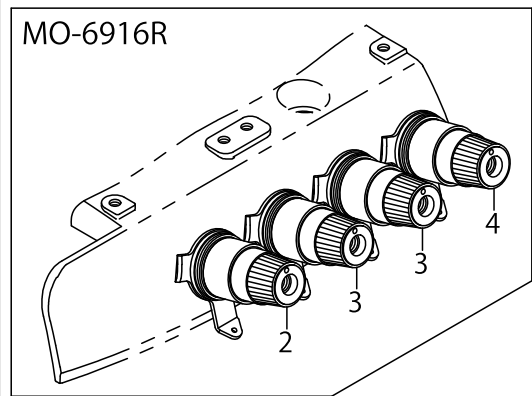
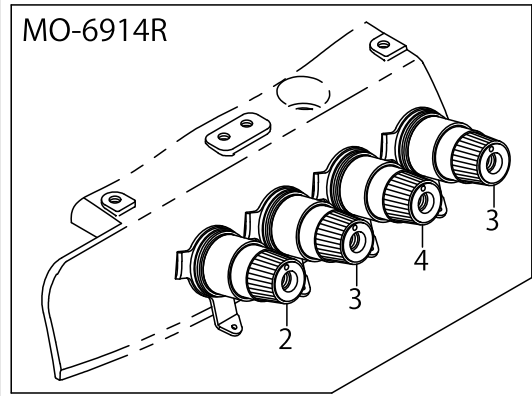
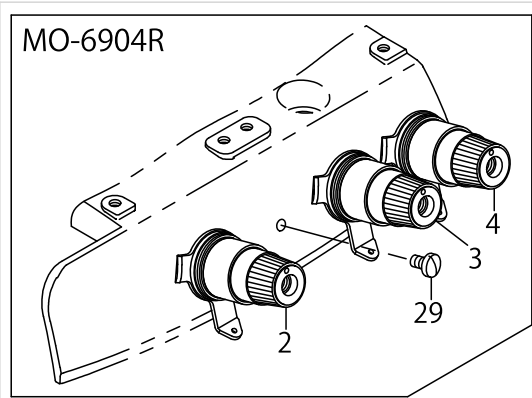
THREAD TENSION COMPONENTS



THREAD TENSION COMPONENTS

No.	Parts No.	Parts name	Remarks	Level	Cons	Qty
1	13225008	CENTER THREAD GUIDE				1
2	13137559	THREAD TENSION SPRING COMPL.				1
3	13138359	THREAD TENSION SPRING COMPL.	FOR MO-6904R(1 PC. IS USED.) FOR MO-6914R,MO-6916R (2 PC. ARE USED.)			1
4	13138656	THREAD TENSION SPRING COMPL.				1
5	13137807	THREAD TENSION SPRING RED		*		1
6	13138508	THREAD TENSION SPRING YELLOW		*		1
7	13138805	THREAD TENSION SPRING BLUE		*		1
8	13137708	THREAD TENSION KNOB RED		*		1
9	13138409	THREAD TENSION KNOB YELLOW		*		1
10	13138706	THREAD TENSION KNOB BLUE		*		1
11	13138904	THREAD TENSION BAR		*		1
12	13137609	THREAD TENSION DISK PRESSER		*		1
13	13137906	SPRING BUSHING		*		1
14	13138102	THREAD TENSION SPRING FELT		*		1
15	13138201	THREAD TENSION DISK		*		2
16	13138003	THREAD TENSION RUBBER WASHER		*		1
17	SS8110410TP	SCREW 11/64-40 L=3.5	FOR MO-6916R			2
18	13225107	TESION DISK THREAD GUIDE	FOR MO-6904R			3
19	13225107	TESION DISK THREAD GUIDE	FOR MO-6914R,MO-6916R			4
20	13139555	THREAD TENSION POST CONPL.	FOR MO-6916R			1
21	13140009	THREAD TENSION POST		*		1
22	13139605	TESION DISK THREAD GUIDE		*		1
23	13139902	THREAD TENSION SPRING FELT		*		1
24	13139803	THREAD TENSION NUT		*		1
25	13139704	THREAD TENSION SPRING		*		1
26	22921407	ROTATION STOPPER		*		1
27	13138201	THREAD TENSION DISK		*		2
28	PS0200052KH	SPRING PIN 2.3X5	FOR MO-6916R			1
29	SS7110710SL	SCREW 11/64-40 L=7.0	FOR MO-6904R			1
30	SS4110615SP	SCREW 11/64-40 L=6				2
31	12283602	THREAD GUIDE BASE	FOR MO-6916R			1
32	12283701	THREAD GUIDE A	FOR MO-6916R			1
33	12283800	THREAD GUIDE B	FOR MO-6916R			1
34	13128509	LOWER THREAD CAM HOOK	FOR MO-6916R			1
35	13128608	LOWER THREAD GUIDE	FOR MO-6916R			1
36	13128707	THREAD GUIDE BASE SPRING	FOR MO-6916R			1
37	13129259	LOWER THREAD CONDUIT BASE ASM.	FOR MO-6916R			1
38	12347555	LOWER THREAD CAM COMPL.	FOR MO-6916R			1
39	B2202816000	SHAFT	FOR MO-6916R			1
40	B2402716000	LOOPER THREAD GUIDE TUBE GUIDE	FOR MO-6916R			1
41	SS5150510SP	SCREW 15/64-28 L=5	FOR MO-6916R			1
42	SD0600341TP	HINGE SCREW D=6.0 H=3.4	FOR MO-6916R			1
43	WZ0640312K0	WAVED WASHER	FOR MO-6916R			1
44	SM4050855SP	SCREW M5 L=8	FOR MO-6916R			1
45	SS4090415SP	SCREW 9/64-40 L=4	FOR MO-6916R			1

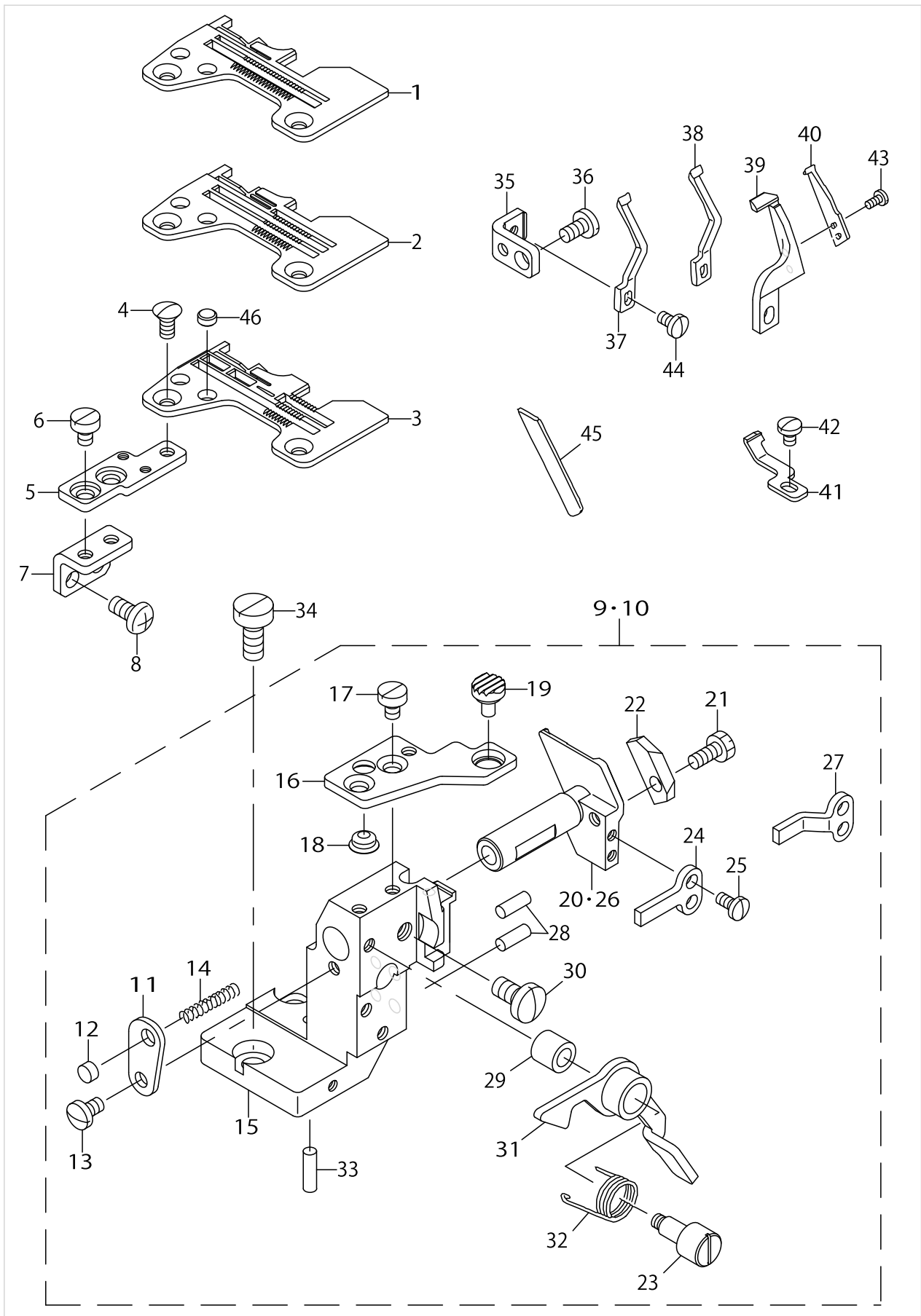
THREAD TENSION COMPONENTS



THREAD TENSION COMPONENTS

No.	Parts No.	Parts name	Remarks	Level	Cons	Qty
46	SS4090415SP	SCREW 9/64-40 L=4	FOR MO-6916R			1
47	SS4090415SP	SCREW 9/64-40 L=4	FOR MO-6916R			1
48	SS4090415SP	SCREW 9/64-40 L=4	FOR MO-6916R			1
49	SS4110515SP	SCREW 11/64-40 L=5	FOR MO-6916R			1

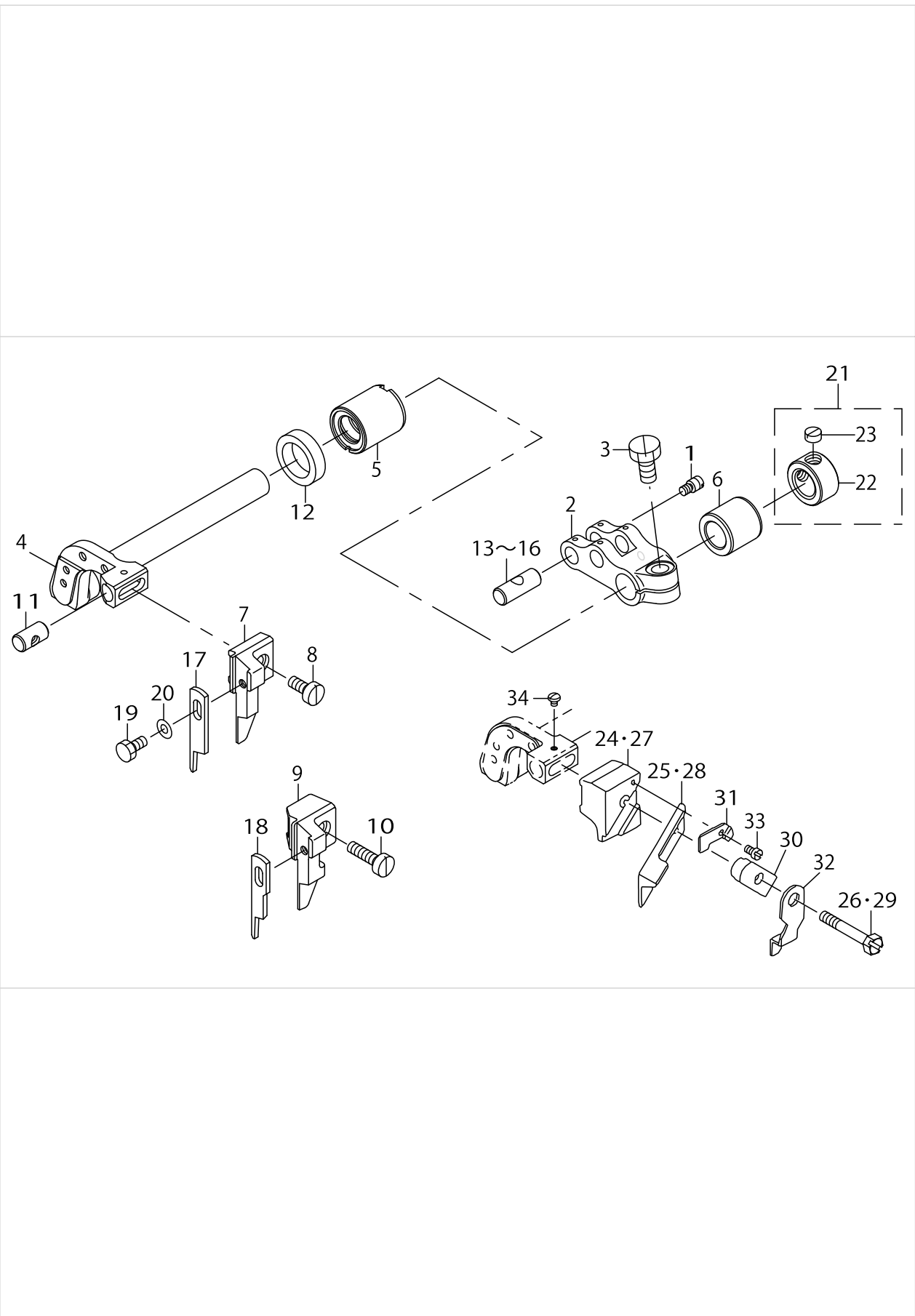
LOWER KNIFE COMPONENTS



LOWER KNIFE COMPONENTS

No.	Parts No.	Parts name	Remarks	Level	Cons	Qty
1	R4200J6ED00	THROAT PLATE	FOR MO-6904R			1
2	R4305J6EE00	THROAT PLATE	FOR MO-6914R			1
3	R4508J6ED00	THROAT PLATE	FOR MO-6916R			1
4	SS2110910SL	SCREW 11/64-40 L=9				2
5	13151204	THROAT PLATE BASE B				1
6	SS6110610TP	SCREW 11/64-40 L=6				2
7	12288908	THROAT PLATE BASE B SUPPORT				1
8	SM4051055SP	SCREW				2
9	13232657	LOWER KNIFE BRACKET ASM.	FOR MO-6904R,MO-6914R			1
10	13232756	LOWER KNIFE BRACKET ASM.	FOR MO-6916R			1
11	12133211	SPRING STOPPER		*		1
12	11806304	PLUG		*		1
13	SS7110720SP	SCREW 11/64-40 L=7		*		1
14	11846607	SPRING		*		1
15	12132619	LOWER KNIFE BRACKET		*		1
16	12102208	THROAT PLATE BASE A		*		1
17	SS6110610TP	SCREW 11/64-40 L=6		*		2
18	12103701	RUBBER PLUG B		*		1
19	13235304	RUBBER PLUG A		*		1
20	12132700	LOWER KNIFE SLIDE STUD	FOR MO-6904R,MO-6914R	*		1
21	SS9111010SP	SCREW 11/64-40 L=9.5		*		1
22	12133104	LOWER KNIFE PRESSER PLATE		*		1
23	12102810	LEVER SHAFT		*		1
24	12132908	ROTATING STOPPER	FOR MO-6904R,MO-6914R	*		1
25	SS7090710SP	SCREW 9/64-40 L=6.8		*		2
26	12132809	LOWER KNIFE SLIDE STUD	FOR MO-6916R	*		1
27	12133005	ROTATING STOPPER	FOR MO-6916R	*		1
28	12133708	HOLDER PIN		*		2
29	12103107	RUBBER PLUG		*		1
30	SS7151120SP	SCREW 15/64-28 L=11		*		1
31	12102950	LEVER ASM.		*		1
32	11802006	LEVER SPRING		*		1
33	11846805	HOLDER PIN		*		1
34	SS6151440SP	SCREW 15/64-28 L=14				2
35	13151105	NEEDLE HOLDER SUPPORT				1
36	SS7110840SP	SCREW 11/64-40 L=7.8				1
37	11890100	NEEDLE GUARD	FOR MO-6904R			1
38	11890308	NEEDLE GUARD	FOR MO-6914R			1
39	12015301	NEEDLE HOLDER	FOR MO-6916R			1
40	12015400	NEEDLE HOLDER	FOR MO-6916R			1
41	12177903	NEEDLE HOLDER	FOR MO-6916R			1
42	SS7090510SP	SCREW 9/64-40 L=4.6	FOR MO-6916R			1
43	SS7060510SP	SCREW 3/32-56 L=4.8	FOR MO-6916R			2
44	SS7090610SP	SCREW 9/64-40 L=6				1
45	13150701	LOWER KNIFE				1
46	13102702	THROAT PLATE COVER				2

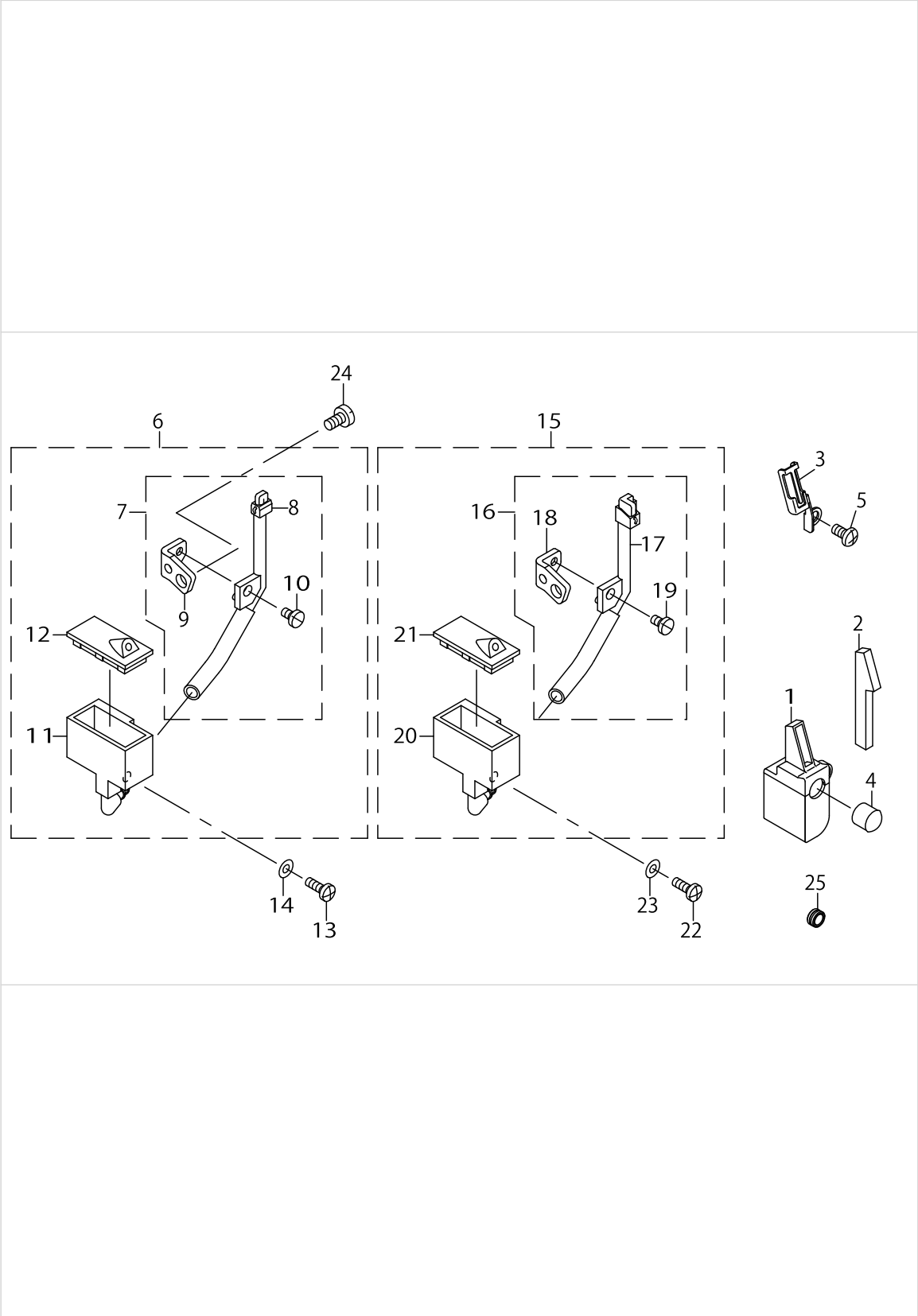
UPPER KNIFE COMPONENTS



UPPER KNIFE COMPONENTS

No.	Parts No.	Parts name	Remarks	Level	Cons	Qty
1	B2024771000	SUSPENSION SCREW				1
2	12318002	UPPER KNIFE DRIVING ARM				1
3	SM9061250TP	SCREW M6 L=12				1
4	31216005	KNIFE ARM SHAFT				1
5	13277405	BUSHING FRONT				1
6	13151006	BUSHING REAR				1
7	13147400	PLAIN KNIFE SUPPORT A	FOR MO-6904R,MO-6914R (EXCEPT JE)			1
8	SS6111040SP	SCREW 11/64-40 L=9.5	FOR MO-6904R,MO-6914R (EXCEPT JE)			1
9	13147301	PLAIN KNIFE SUPPORT	FOR MO-6916R(EXCEPT JE)			1
10	SS6111610SP	SCREW 11/64-40 L=16	FOR MO-6916R(EXCEPT JE)			1
11	13150800	UPPER KNIFE GUIDE SHAFT				1
12	11566809	OIL SEAL				1
13	13122007	CRANK PIN A	SELECTIVE PARTS			1
14	13122106	CRANK PIN B	SELECTIVE PARTS			1
15	13122205	CRANK PIN C	SELECTIVE PARTS			1
16	13122304	CRANK PIN D	SELECTIVE PARTS			1
17	13150503	PLAIN KNIFE	FOR MO-6904R,MO-6914R (EXCEPT JE)			1
18	13150602	PLAIN KNIFE	FOR MO-6916R(EXCEPT JE)			1
19	SS9090823TP	BOLT 9/64-40 L=8	EXCEPT JE			1
20	WP0370316SD	WASHER 3.7X8X0.3	EXCEPT JE			1
21	CS111101HSH	THRUST COLLAR ASM.				1
22	CS1111019SH	THRUST COLLAR D=11.11 W=10		*		1
23	SS8660330SP	SCREW 1/4-40 L=3.0		*		1
24	11598000	UPPER KNIFE SUPPORT	FOR MO-6904R,MO-6914R(FOR JE)			1
25	11845807	UPPER KNIFE	FOR MO-6904R,MO-6914R(FOR JE)			1
26	SS9111610SP	SCREW 11/64-40 L=16	FOR MO-6904R,MO-6914R(FOR JE)			1
27	11845500	UPPER KNIFE SUPPORT	FOR MO-6916R(FOR JE)			1
28	11845906	UPPER KNIFE	FOR MO-6916R(FOR JE)			1
29	SS9112310SP	SCREW 11/64-40 L=23	FOR MO-6916R(FOR JE)			1
30	11565504	UPPER KNIFE PRESSER PLATE	FOR JE			1
31	11565702	WASHER	FOR JE			1
32	11565603	UPPER KNIFE COVER	FOR JE			1
33	SS4060310SP	SCREW 3/32-56 L=2.5	FOR JE			1
34	SS4060310SP	SCREW 3/32-56 L=2.5	FOR JE			1

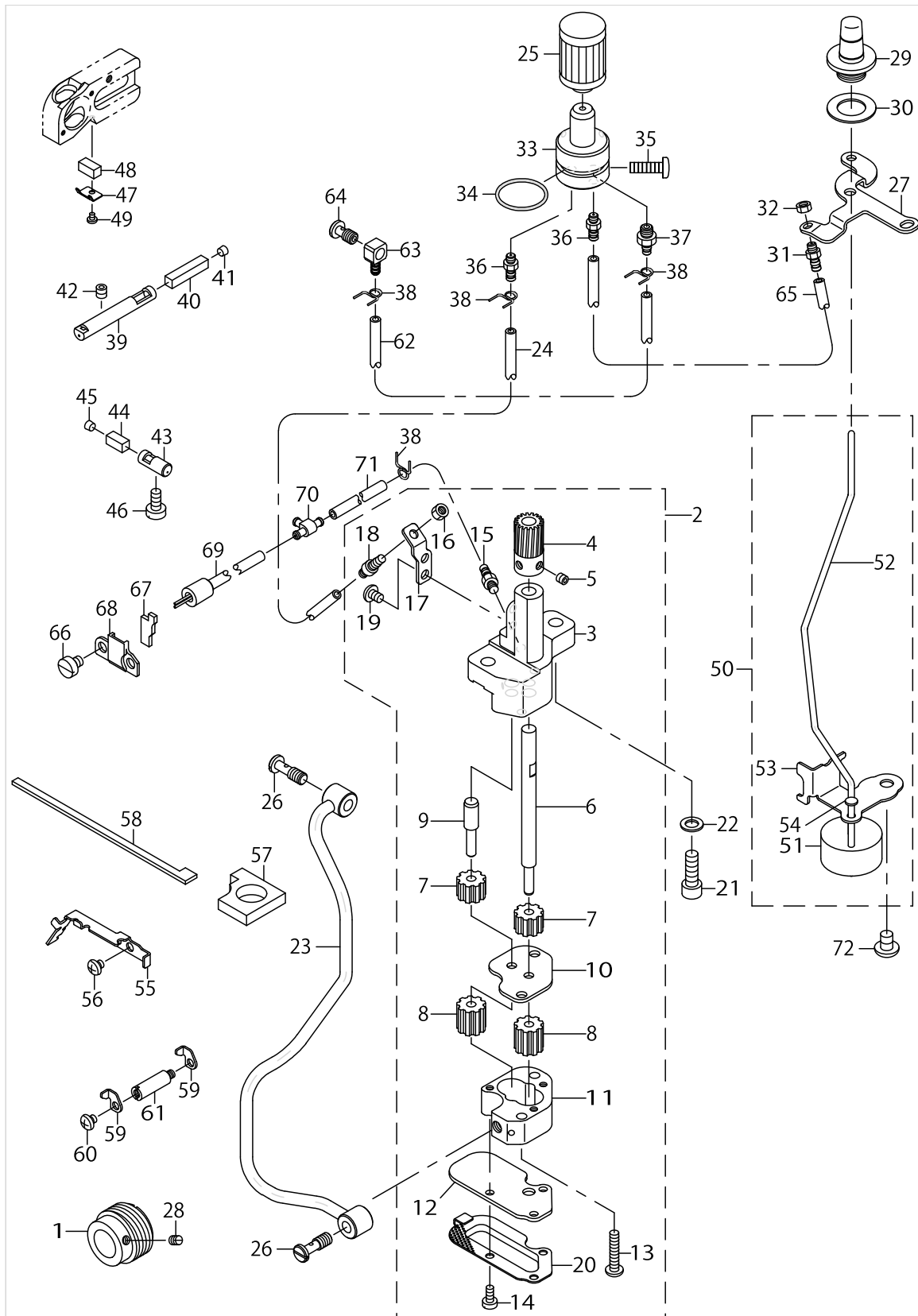
NEEDLE COOLING MECHANISM COMPONENTS



NEEDLE COOLING MECHANISM COMPONENTS

No.	Parts No.	Parts name	Remarks	Level	Cons	Qty
1	13163456	SILICON TANK ASM.				1
2	13163803	NEEDLE THREAD FELT				1
3	13163902	NEEDLE THREAD FELT PRESSER				1
4	TA0950806R0	RUBBER PLUG				1
5	SM4040855SP	SCREW				1
6	13162557	NEEDLE COOLER UNIT ASM. (OVER)	FOR MO-6904R,MO-6914R			1
7	13162565	NEEDLE COOLER UNIT COMPL.		*		1
8	13162573	NEEDLE COOLER UNIT ASM. (OVER)		*		1
9	13162805	NEEDLE COOLER SUPPORT		*		1
10	SS7090610SP	SCREW 9/64-40 L=6		*		1
11	13162904	TANK		*		1
12	13163001	TANK COVER		*		1
13	SS4091015SP	SCREW 9/64-40 L=10				1
14	WP0371026SD	WASHER 3.7X7X1				1
15	13163159	NEEDLE COOLER UNIT ASM.(INTER)	FOR MO-6916R			1
16	13163167	NEEDLE COOLER COMPL.(INTER)		*		1
17	13163175	NEEDLE COOLER ASM.(INTER)		*		1
18	13162805	NEEDLE COOLER SUPPORT		*		1
19	SS7090610SP	SCREW 9/64-40 L=6		*		1
20	13162904	TANK		*		1
21	13163001	TANK COVER		*		1
22	SS4091015SP	SCREW 9/64-40 L=10				1
23	WP0371026SD	WASHER 3.7X7X1				1
24	SS7110840SP	SCREW 11/64-40 L=7.8				1
25	13163704	BUSHING				1

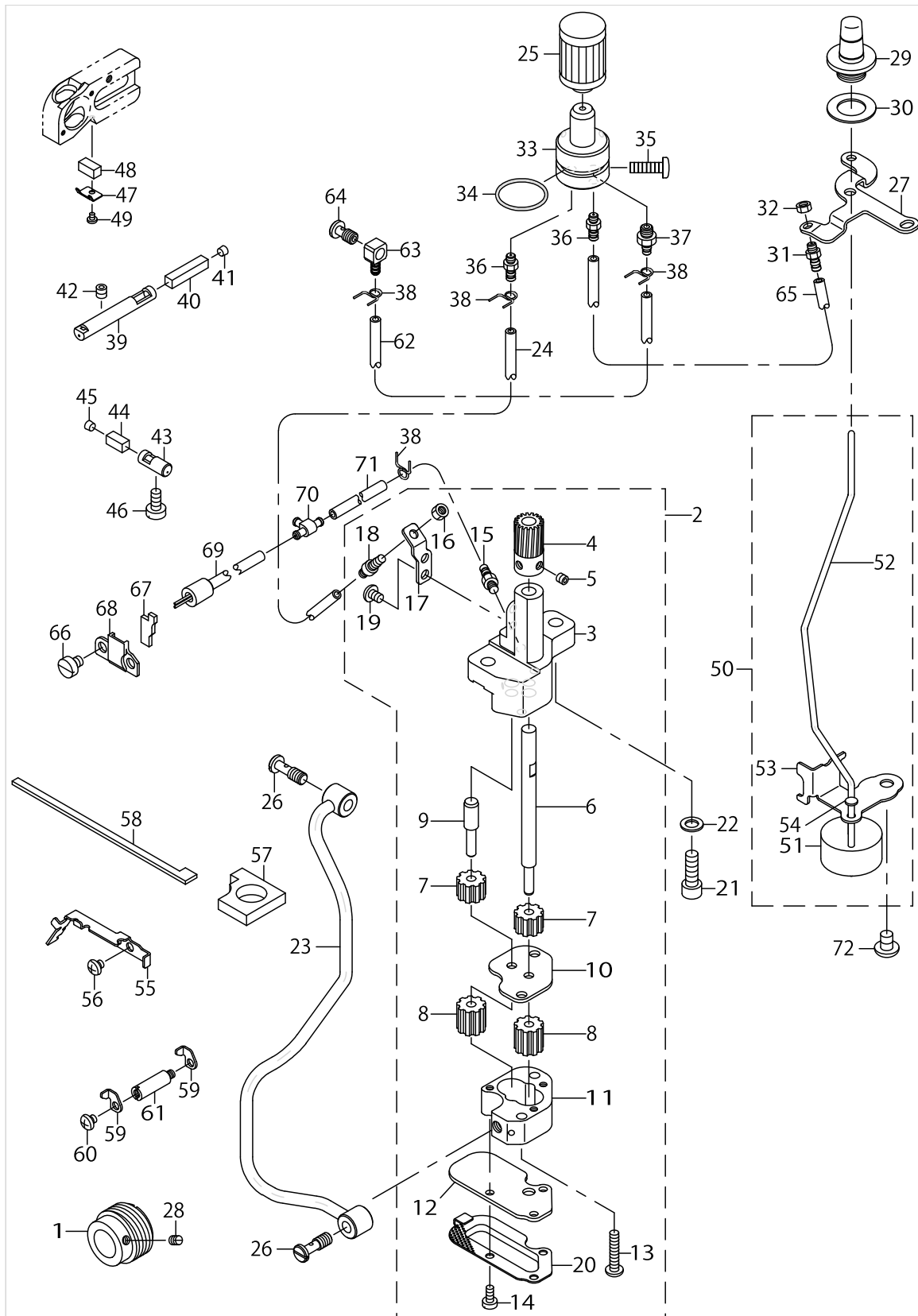
LUBRICATION MECHANISM COMPONENTS



LUBRICATION MECHANISM COMPONENTS

No.	Parts No.	Parts name	Remarks	Level	Cons	Qty
1	12315008	WORM				1
2	40018045	OIL PUMP ASM				1
3	12315909	OIL PUMP		*		1
4	13343009	WORM WHEEL		*		1
5	SM8050412TP	SCREW M5 L=4		*		2
6	11918109	GEAR PUMP SHAFT LARGE		*		1
7	B3534352000	PINION GEAR		*		2
8	11840303	OIL PUMP PINION		*		2
9	12317004	GEAR PUMP SHAFT		*		1
10	12316006	PINION SPACER		*		1
11	12316105	CASING		*		1
12	40016762	PUMP COVER		*		1
13	SS4112215SP	SCREW 11/64-40 L=22		*		2
14	SS6090810SP	SCREW 9/64-40 L=7.5		*		3
15	SQ1110401MZ	CONNECTING SCREW		*		1
16	NS6110310SP	NUT 11/64-40		*		1
17	12129318	CONNECTING SCREW BRACKET		*		1
18	SQ1110451MZ	CONNECTING SCREW		*		1
19	SS4110615SP	SCREW 11/64-40 L=6		*		2
20	40016763	PUMP NET		*		1
21	SM6061802TP	SCREW M6 L=18				2
22	WP0651056SD	WASHER 6.5X11X1				2
23	13228655	LUBRICATION MECHANISM PIPE ASM				1
24	23630007	TUBE				0.21
25	13142500	CARTRIDGE FILTER				1
26	SQ1150454SD	CONNECTING SCREW				2
27	12315800	OILING EXIT SUPPORT				1
28	SS8110520TP	SCREW 11/64-40 L=4.5				1
29	13143300	OIL GAUGE				1
30	13144001	OIL GAUGE GASKET				1
31	SQ1110451MZ	CONNECTING SCREW				1
32	NS6110310SP	NUT 11/64-40				1
33	13142955	FILTER GUIDE ASM.				1
34	13170808	RUBBER RING				1
35	SM4051601SC	SCREW M5X0.8 L=16				1
36	SQ1110451MZ	CONNECTING SCREW				2
37	SQ1150451MZ	CONNECTING SCREW				1
38	13142609	OIL TUBE HOLDER				4
39	13144100	OILING PIN				1
40	13144209	OIL FELT				1
41	TA0400301M0	PLUG D=4X4.5 L=3				1
42	SM8050502TP	SCREW M5 L=5				1
43	13143417	OILING PIN				1
44	13143508	OIL FELT				1
45	13230107	OIL PLUG				1
46	SS6121020SP	SCREW 3/16-28 L=9.5				1
47	13143607	OIL FELT PRESSER				1

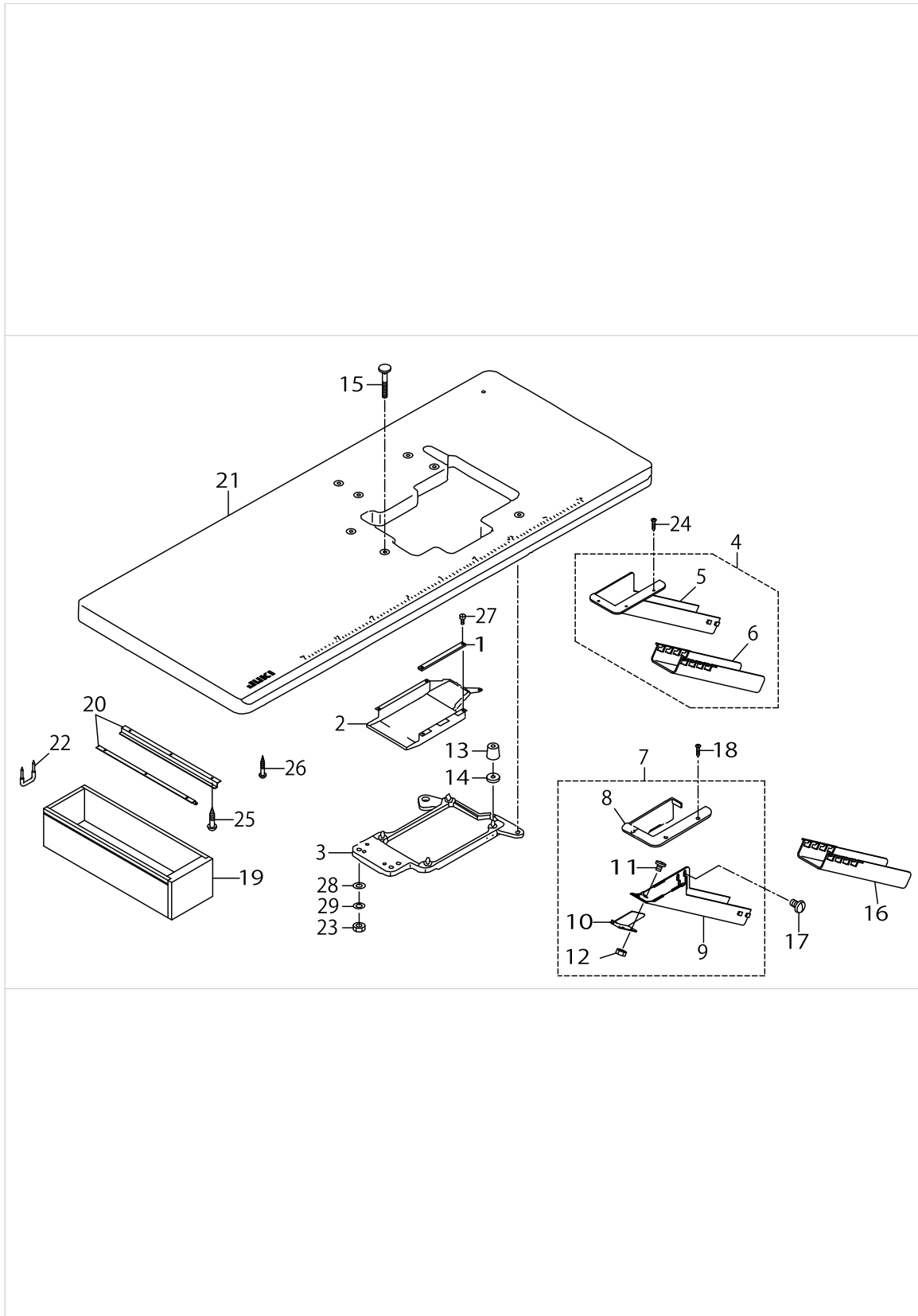
LUBRICATION MECHANISM COMPONENTS



LUBRICATION MECHANISM COMPONENTS

No.	Parts No.	Parts name	Remarks	Level	Cons	Qty
48	13143706	OIL FELT				1
49	SS7060310SP	SCREW 3/32-56 L=3				1
50	13275151	FLOAT ASM.				1
51	13275102	FLOAT		*		1
52	13275003	OIL GAUGE BAR		*		1
53	13229307	FLOAT SUPPORT		*		1
54	13275201	FLOAT GUIDE BAR		*		1
55	13228804	OIL FELT GUIDE				1
56	31018005	SCREW				2
57	13229109	OIL FELT B				1
58	13229406	OIL FELT A				1
59	13228903	OIL FELT PRESSER				2
60	31018005	SCREW				1
61	13229000	FELT PRESSER SPACER				1
62	BP30000010R	VINYL PIPE				0.28
63	SQ0000451MZ	CONNECTING SCREW				1
64	SQ1150441SD	CONNECTING SCREW				1
65	23630007	TUBE				0.17
66	SS6120620TP	SCREW				2
67	13276902	ONCE THROUGH OIL FELT B				1
68	13277009	ONCE THROUGH COVER				1
69	13277157	ONCE THROUGH PIPE ASM.				1
70	13765607	OIL CONNec. ARM				1
71	23630007	TUBE				0.18
72	SM4060801SE	SCREW				1

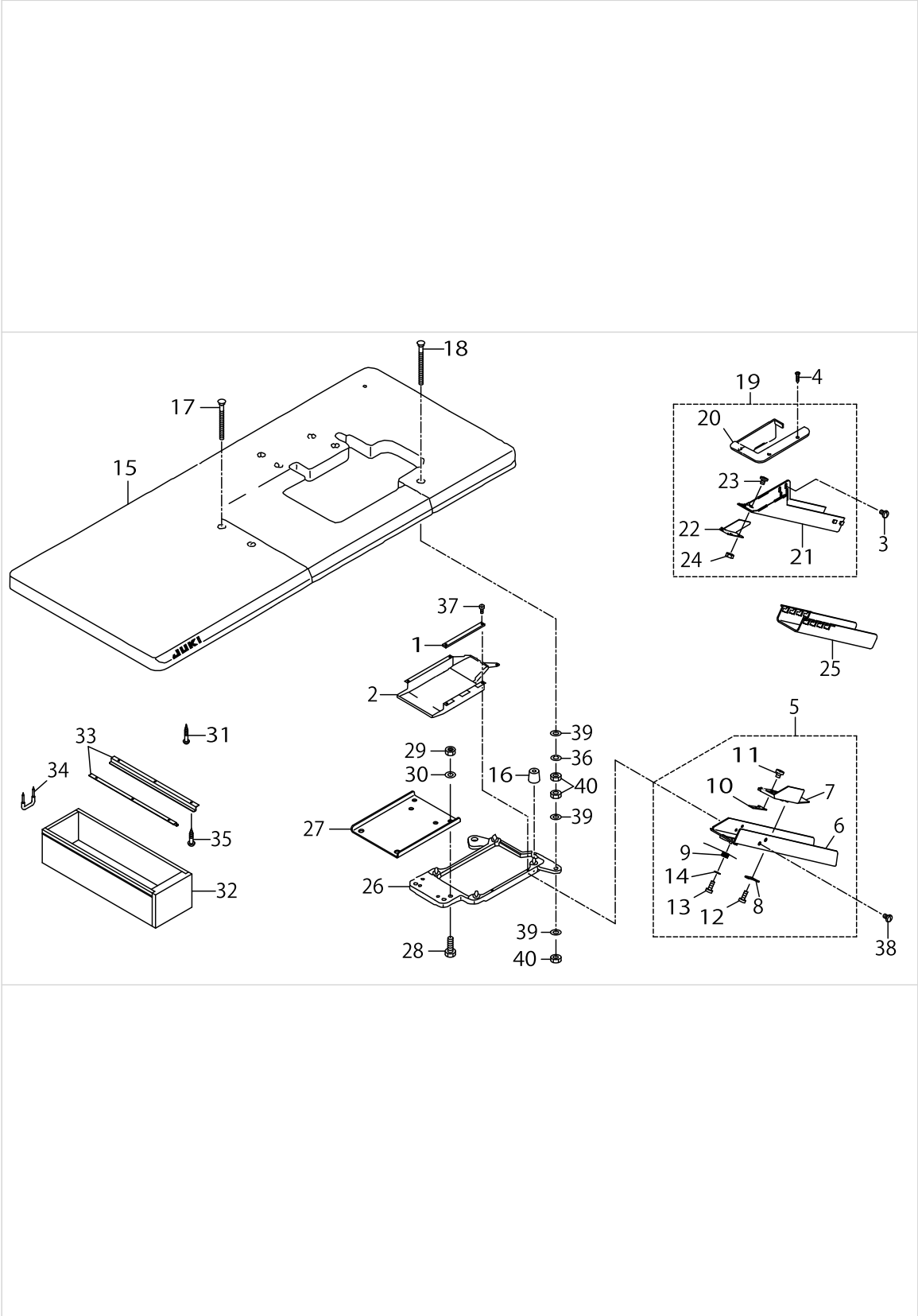
SEMI-SUNKEN TYPE TABLE COMPONENTS



SEMI-SUNKEN TYPE TABLE COMPONENTS

No.	Parts No.	Parts name	Remarks	Level	Cons	Qty
1	13161005	CASE SPONGE				1
2	13160908	COOLING FAN CASE				1
3	13161153	FRAME SUPPORT PLATE ASM.				1
4	12341954	CLOTH WASTE CHUTE ASM.	EXCEPT JE			1
5	12341905	CLOTH WASTE CHUTE(SEMI-SUNKEN)		*		1
6	12341806	CLOTH WASTE CHUTE		*		1
7	13155759	CLOTH WASTE CHUTE ASM.	FOR JE			1
8	13155601	CLOTH WASTE CHUTE INLET		*		1
9	13155700	CLOTH WASTE CHUTE UPPER		*		1
10	13155502	CHUTE SUPPORT		*		1
11	SS5090610SP	SCREW 9/64-40 L=6		*		3
12	NS6090310SP	NUT 9/64-40		*		3
13	13155403	DUST-PROOF RUBBER				4
14	13156500	DUST-PROOF RUBBER SPACER				4
15	13155007	HOLDING PLATE BOLT				4
16	12341806	CLOTH WASTE CHUTE	FOR JE			1
17	SS5110710SP	SCREW 11/64-40 L=7	FOR JE			2
18	SK2351601SE	SCREW	FOR JE			3
19	11155108	DRAWER				1
20	11155207	DRAWER SUPPORT				2
21	11959400	TABLE (SEMI-SUNKEN)				1
22	D8204555D00	DRAWER STOPPER				1
23	NS6240630SE	NUT 3/8-18				4
24	SK2351601SE	SCREW	EXCEPT JE			3
25	SK3311500SC	WOOD SCREW D=3.1 L=15				6
26	SK3513200SC	WOOD SCREW D=5.1 L=32				4
27	SS6090630TP	SCREW 9/64-40 L=6				5
28	WP1002036SE	WASHER 10X21X2				4
29	WS1002560KR	SPRING WASHER 10X18X2.5				4

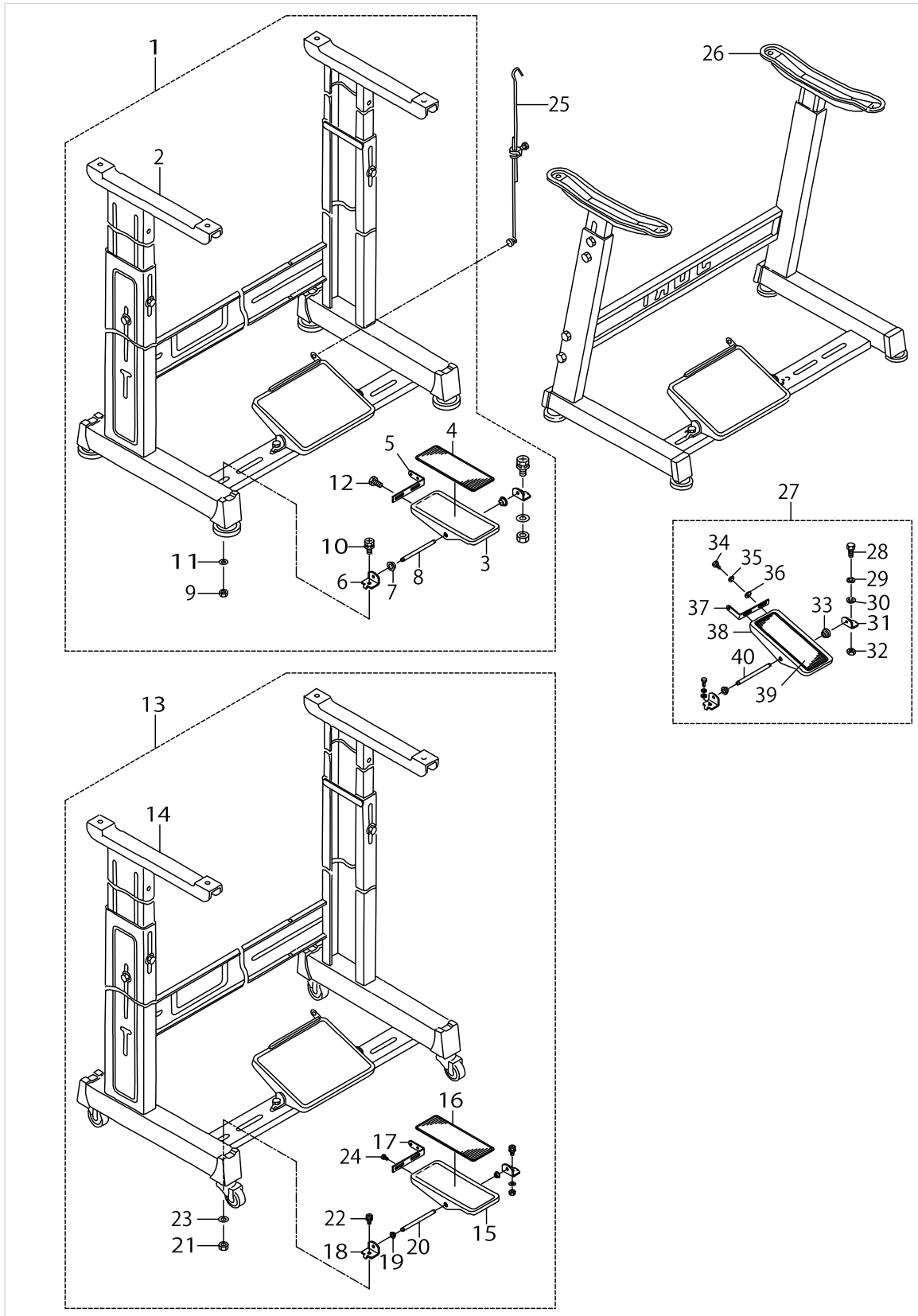
FULLY-SUNKEN TYPE TABLE COMPONENTS



FULLY-SUNKEN TYPE TABLE COMPONENTS

No.	Parts No.	Parts name	Remarks	Level	Cons	Qty
1	13161005	CASE SPONGE				1
2	13160908	COOLING FAN CASE				1
3	SS5110710SP	SCREW 11/64-40 L=7	FOR JE			2
4	SK2351601SE	SCREW	FOR JE			3
5	13155858	CLOTH WASTE CHUTE ASM.	EXCEPT JE			1
6	13156203	CLOTH WASTE CHUTE		*		1
7	13156302	CLOTH WASTE CHUTE INLET		*		1
8	13155908	CHUTE INLET LEVER		*		1
9	13156005	CHUTE INLET SPRING		*		1
10	13156104	CHUTE INLET RUBBER		*		1
11	SS6090420SP	SCREW 9/64-40 L=4.0		*		2
12	ST60308210A	SCREW D=3-24 L=8		*		2
13	ST60308210A	SCREW D=3-24 L=8		*		1
14	WP0370316SD	WASHER 3.7X8X0.3		*		1
15	11959558	TABLE ASM.				1
16	13155403	DUST-PROOF RUBBER				4
17	13155106	HOLDING PLATE BOLT C				2
18	13155205	HOLDING PLATE BOLT D				2
19	13155759	CLOTH WASTE CHUTE ASM.	FOR JE			1
20	13155601	CLOTH WASTE CHUTE INLET		*		1
21	13155700	CLOTH WASTE CHUTE UPPER		*		1
22	13155502	CHUTE SUPPORT		*		1
23	SS5090610SP	SCREW 9/64-40 L=6		*		3
24	NS6090310SP	NUT 9/64-40		*		3
25	12341806	CLOTH WASTE CHUTE	FOR JE			1
26	13161153	FRAME SUPPORT PLATE ASM.				1
27	13155304	FRAME HOLDING PLATE COUPLING				1
28	SM9082513CF	SCREW M8 L=25				4
29	NM6080600SM	NUT M8				4
30	WP0850002SC	WASHER 8.5X18X1.6				4
31	SK3513200SC	WOOD SCREW D=5.1 L=32				4
32	11155108	DRAWER				1
33	11155207	DRAWER SUPPORT				2
34	D8204555D00	DRAWER STOPPER				1
35	SK3311500SC	WOOD SCREW D=3.1 L=15				6
36	WS1002560KR	SPRING WASHER 10X18X2.5				4
37	SS6090630TP	SCREW 9/64-40 L=6				5
38	SS5110710SP	SCREW 11/64-40 L=7	EXCEPT JE			2
39	WP1002036SE	WASHER 10X21X2				12
40	NS6240630SE	NUT 3/8-18				12

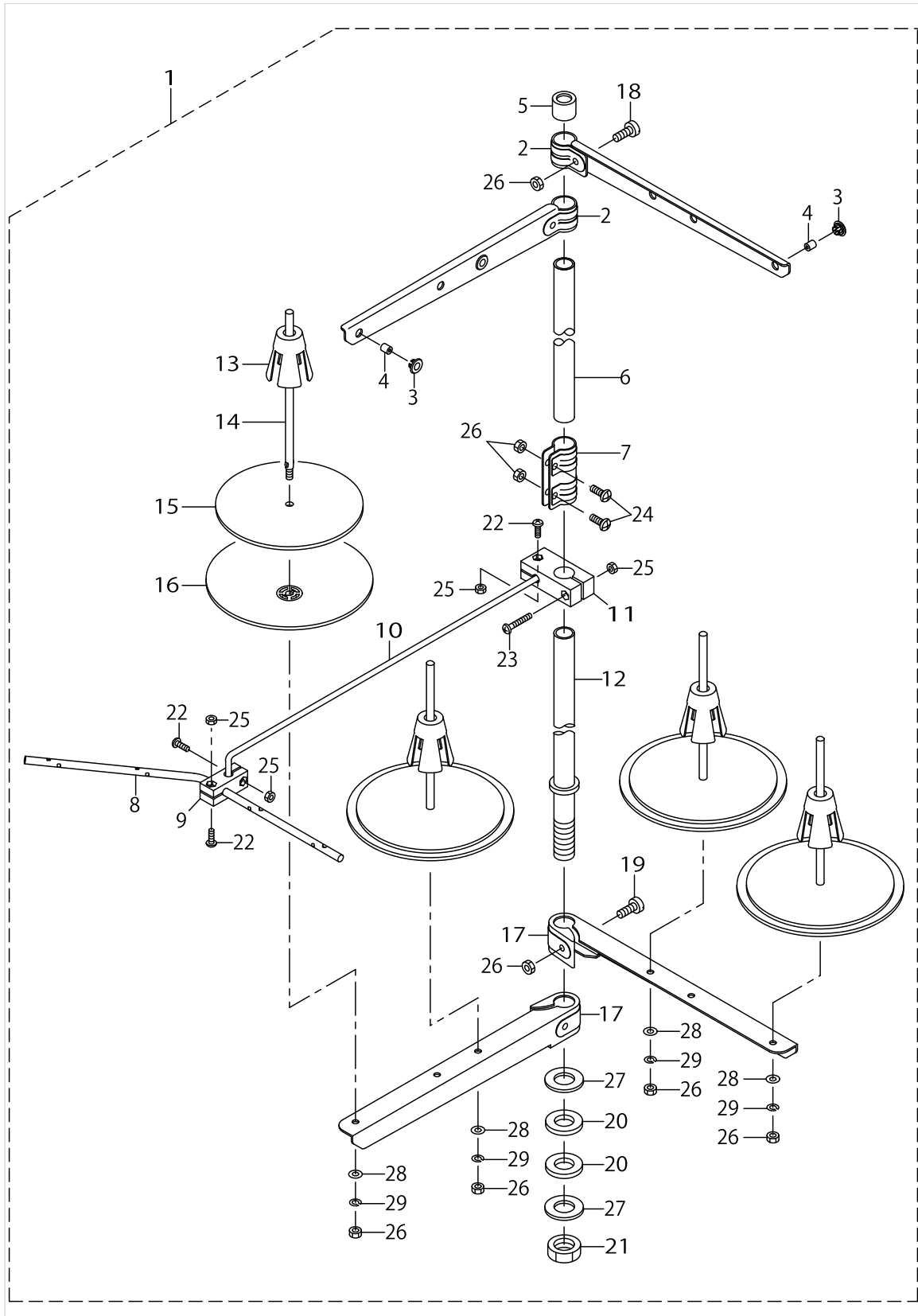
STAND COMPONENTS (Z-T)



STAND COMPONENTS (Z-T)

No.	Parts No.	Parts name	Remarks	Level	Cons	Qty
1	11960655	T STAND JUNCTION				1
2	11157567	T LEG JUNCTION		*		1
3	GPF06060000	PEDAL		*		1
4	GPF06070000	PEDAL MAT		*		1
5	GPF06080000	PEDAL ADJUSTING PLATE		*		1
6	11159001	PEDAL SHAFT BRACKET		*		2
7	D8113555B00	PEDAL BUSHING		*		2
8	B8153771000	PEDAL CONNECTING ROD		*		1
9	NM6080001SE	NUT M8		*		2
10	SL9082091SE	WASHER HEXAGONAL BOLT		*		2
11	WP0871602SE	WASHER 8.7X18X1.6		*		2
12	SL9061291SE	WASHER HEXAGONAL BOLT M6 L=12		*		2
13	11960754	T STAND JUNCTION(WITH CASTER)				1
14	11159365	T STAND JUNCTION		*		1
15	GPF06060000	PEDAL		*		1
16	GPF06070000	PEDAL MAT		*		1
17	GPF06080000	PEDAL ADJUSTING PLATE		*		1
18	11159001	PEDAL SHAFT BRACKET		*		2
19	D8113555B00	PEDAL BUSHING		*		2
20	B8153771000	PEDAL CONNECTING ROD		*		1
21	NM6080001SE	NUT M8		*		2
22	SL9082091SE	WASHER HEXAGONAL BOLT		*		2
23	WP0871602SE	WASHER 8.7X18X1.6		*		2
24	SL9061291SE	WASHER HEXAGONAL BOLT M6 L=12		*		2
25	B71140120A0	MOTOR CONNECTING ROD ASM.				1
26	11151065	Z LEG JUNCTION (B)				1
27	B81517710A0	PEDAL ASM.				1
28	SM9082023SE	SCREW M8 L=20		*		2
29	WS0861410KR	SPRING WASHER 8.6X15X1.4		*		2
30	WP0871602SE	WASHER 8.7X18X1.6		*		4
31	11151909	PEDAL SHAFT BRACKET		*		2
32	NM6080721SE	NUT M8		*		2
33	D8113555B00	PEDAL BUSHING		*		2
34	SM9061203SE	SCREW M6 L=12		*		2
35	WS0621210KR	SPRING WASHER 6.2X11.4X1.2		*		2
36	WP0671016SE	WASHER 6.7X13X1		*		2
37	11246600	PEDAL ADJUSTING PLATE		*		1
38	11246501	PEDAL		*		1
39	B8152771000	PEDAL MAT		*		1
40	B8153771000	PEDAL CONNECTING ROD		*		1

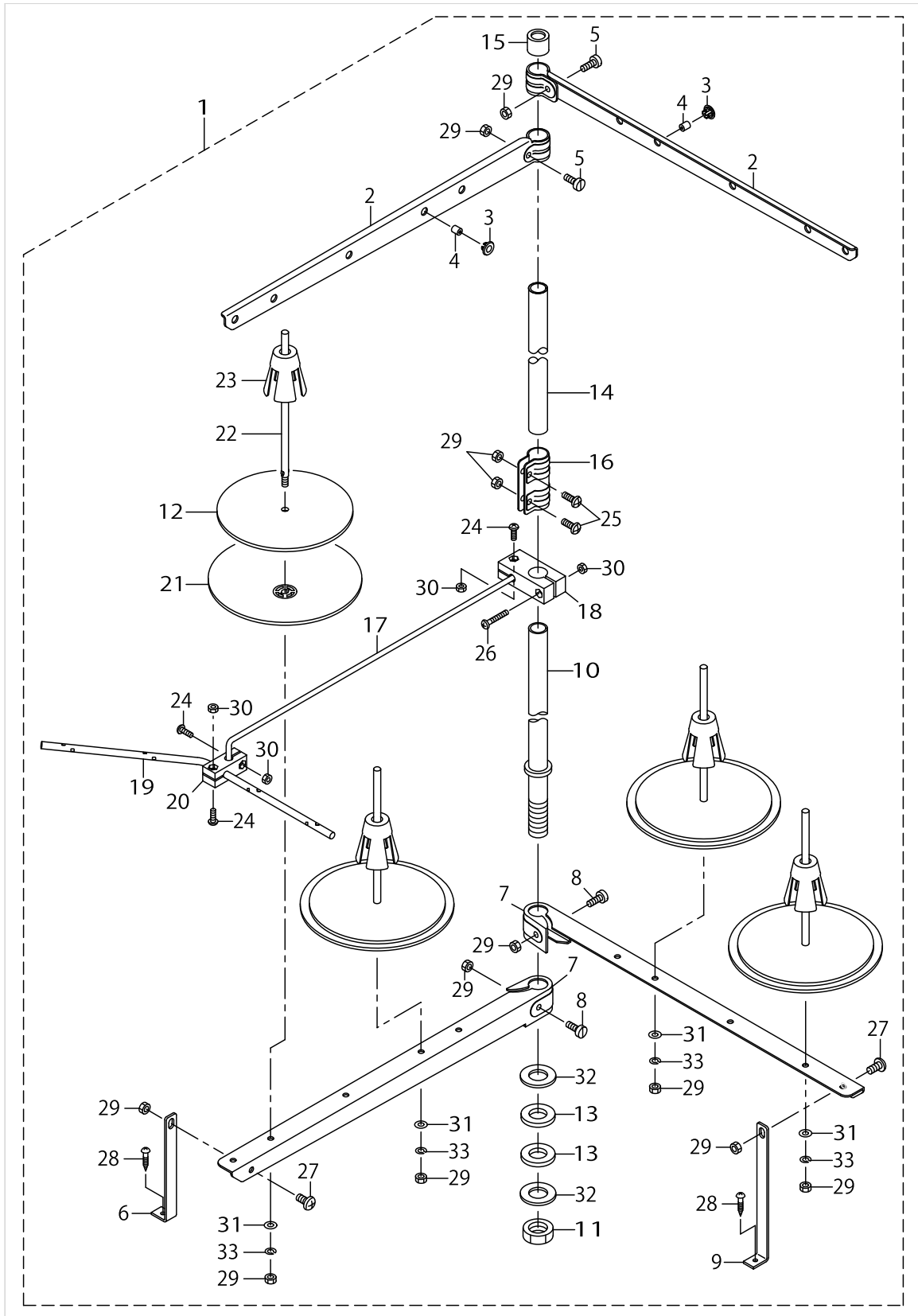
THREAD STAND COMPONENTS (FOR MO-6904R,MO-6914R)



THREAD STAND COMPONENTS (FOR MO-6904R,MO-6914R)

No.	Parts No.	Parts name	Remarks	Level	Cons	Qty
1	40106590	THREAD STAND ASM.				1
2	40085787	SPOOL REST ARM UPPER		*		2
3	40085795	THREAD GUIDE BUSHING		*		4
4	40085794	THREAD GUIDE		*		4
5	40085793	SPOOL REST ROD RUBBER CAP		*		1
6	40085785	SPOOL REST ROD UPPER		*		1
7	40085792	SPOOL REST ROD JOINT		*		1
8	40106582	THREAD GUIDE 4		*		1
9	40106580	THREAD GUIDE UNDER BASE		*		1
10	40106576	THREAD GUIDE ARM		*		1
11	40106579	THREAD GUIDE ARM BASE		*		1
12	40085784	SPOOL REST ROD LOWER		*		1
13	40085791	SPOOL RETAINER		*		4
14	40085790	SPOOL PIN		*		4
15	40085789	SPOOL REST CUSHION		*		4
16	40085788	SPOOL REST		*		4
17	40085786	SPOOL REST ARM LOWER		*		2
18	40096327	SPOOL REST ARM UPPER SCREW		*		2
19	40096326	SPOOL REST ARM LOWER SCREW		*		2
20	40085796	SPOOL REST ROD RUBBER CUSHION		*		2
21	40096325	SPOOL REST ROD NUT		*		1
22	SM4041201SC	SCREW M4 L=12		*		3
23	SM4042501SC	SCREW M4X0.7 L=25		*		1
24	SM4051405SE	SCREW M5 L=14		*		2
25	NM6040002SC	NUT M4		*		4
26	NM6050001SE	NUT M5		*		10
27	WP1612616SE	WASHER 16X30X2.6		*		2
28	WP0531001SC	WASHER M5		*		4
29	WS0510002KN	SPRING WASHER M5		*		4

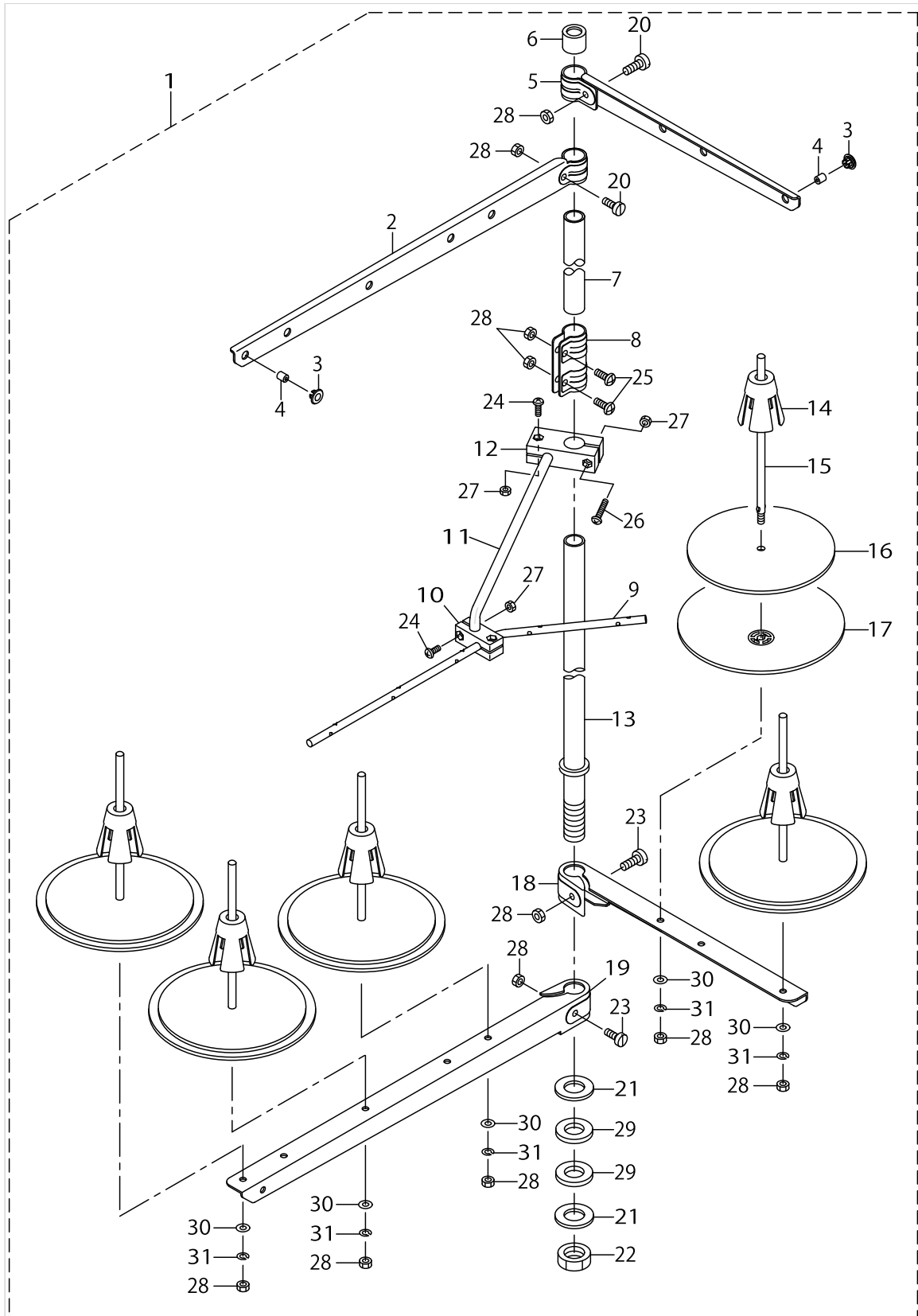
THREAD STAND COMPONENTS (MO-6904R,MO-6914R SPECIAL ORDER PARTS)



THREAD STAND COMPONENTS (MO-6904R,MO-6914R SPECIAL ORDER PARTS)

No.	Parts No.	Parts name	Remarks	Level	Cons	Qty
1	40106593	THREAD STAND ASM.				1
2	40106575	SPOOL REST LONG ARM UPPER		*		2
3	40085795	THREAD GUIDE BUSHING		*		4
4	40085794	THREAD GUIDE		*		4
5	40096327	SPOOL REST ARM UPPER SCREW		*		2
6	40106577	SPOOL REST ARM LOWER A		*		1
7	40106574	SPOOL REST LONG ARM LOWER		*		2
8	40096326	SPOOL REST ARM LOWER SCREW		*		2
9	40106578	SPOOL REST ARM LOWER B		*		1
10	40085784	SPOOL REST ROD LOWER		*		1
11	40096325	SPOOL REST ROD NUT		*		1
12	40085789	SPOOL REST CUSHION		*		4
13	40085796	SPOOL REST ROD RUBBER CUSHION		*		2
14	40085785	SPOOL REST ROD UPPER		*		1
15	40085793	SPOOL REST ROD RUBBER CAP		*		1
16	40085792	SPOOL REST ROD JOINT		*		1
17	40106576	THREAD GUIDE ARM		*		1
18	40106579	THREAD GUIDE ARM BASE		*		1
19	40106582	THREAD GUIDE 4		*		1
20	40106580	THREAD GUIDE UNDER BASE		*		1
21	40085788	SPOOL REST		*		4
22	40085790	SPOOL PIN		*		4
23	40085791	SPOOL RETAINER		*		4
24	SM4041201SC	SCREW M4 L=12		*		3
25	SM4051405SE	SCREW M5 L=14		*		2
26	SM4042501SC	SCREW M4X0.7 L=25		*		1
27	SM4051001SE	SCREW M5 L=10		*		2
28	SK3412001SE	WOOD SCREW D=4.1 L=20		*		2
29	NM6050001SE	NUT M5		*		12
30	NM6040002SC	NUT M4		*		4
31	WP0531001SC	WASHER M5		*		4
32	WP1612616SE	WASHER 16X30X2.6		*		2
33	WS0510002KN	SPRING WASHER M5		*		4

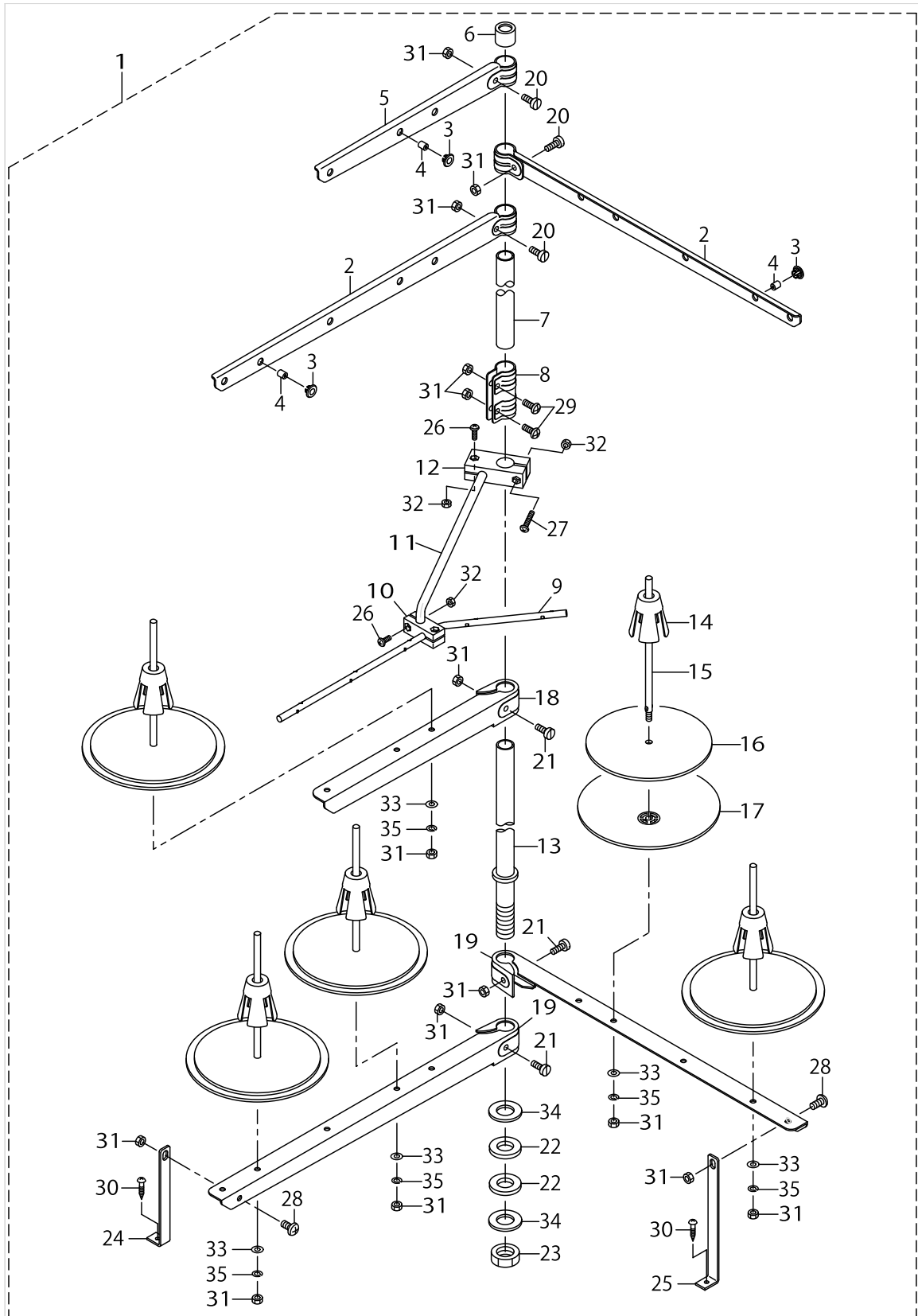
THREAD STAND COMPONENTS (FOR MO-6916R)



THREAD STAND COMPONENTS (FOR MO-6916R)

No.	Parts No.	Parts name	Remarks	Level	Cons	Qty
1	40106591	THREAD STAND ASM.				1
2	40106575	SPOOL REST LONG ARM UPPER		*		1
3	40085794	THREAD GUIDE		*		5
4	40085795	THREAD GUIDE BUSHING		*		5
5	40085787	SPOOL REST ARM UPPER		*		1
6	40085793	SPOOL REST ROD RUBBER CAP		*		1
7	40085785	SPOOL REST ROD UPPER		*		1
8	40085792	SPOOL REST ROD JOINT		*		1
9	40106581	THREAD GUIDE 5		*		1
10	40106580	THREAD GUIDE UNDER BASE		*		1
11	40106576	THREAD GUIDE ARM		*		1
12	40106579	THREAD GUIDE ARM BASE		*		1
13	40085784	SPOOL REST ROD LOWER		*		1
14	40085791	SPOOL RETAINER		*		5
15	40085790	SPOOL PIN		*		5
16	40085789	SPOOL REST CUSHION		*		5
17	40085788	SPOOL REST		*		5
18	40085786	SPOOL REST ARM LOWER		*		1
19	40106574	SPOOL REST LONG ARM LOWER		*		1
20	40096327	SPOOL REST ARM UPPER SCREW		*		2
21	40085796	SPOOL REST ROD RUBBER CUSHION		*		2
22	40096325	SPOOL REST ROD NUT		*		1
23	40096326	SPOOL REST ARM LOWER SCREW		*		2
24	SM4041201SC	SCREW M4 L=12		*		3
25	SM4051405SE	SCREW M5 L=14		*		2
26	SM4042501SC	SCREW M4X0.7 L=25		*		1
27	NM6040002SC	NUT M4		*		4
28	NM6050001SE	NUT M5		*		11
29	WP1612616SE	WASHER 16X30X2.6		*		2
30	WP0531001SC	WASHER M5		*		5
31	WS0510002KN	SPRING WASHER M5		*		5

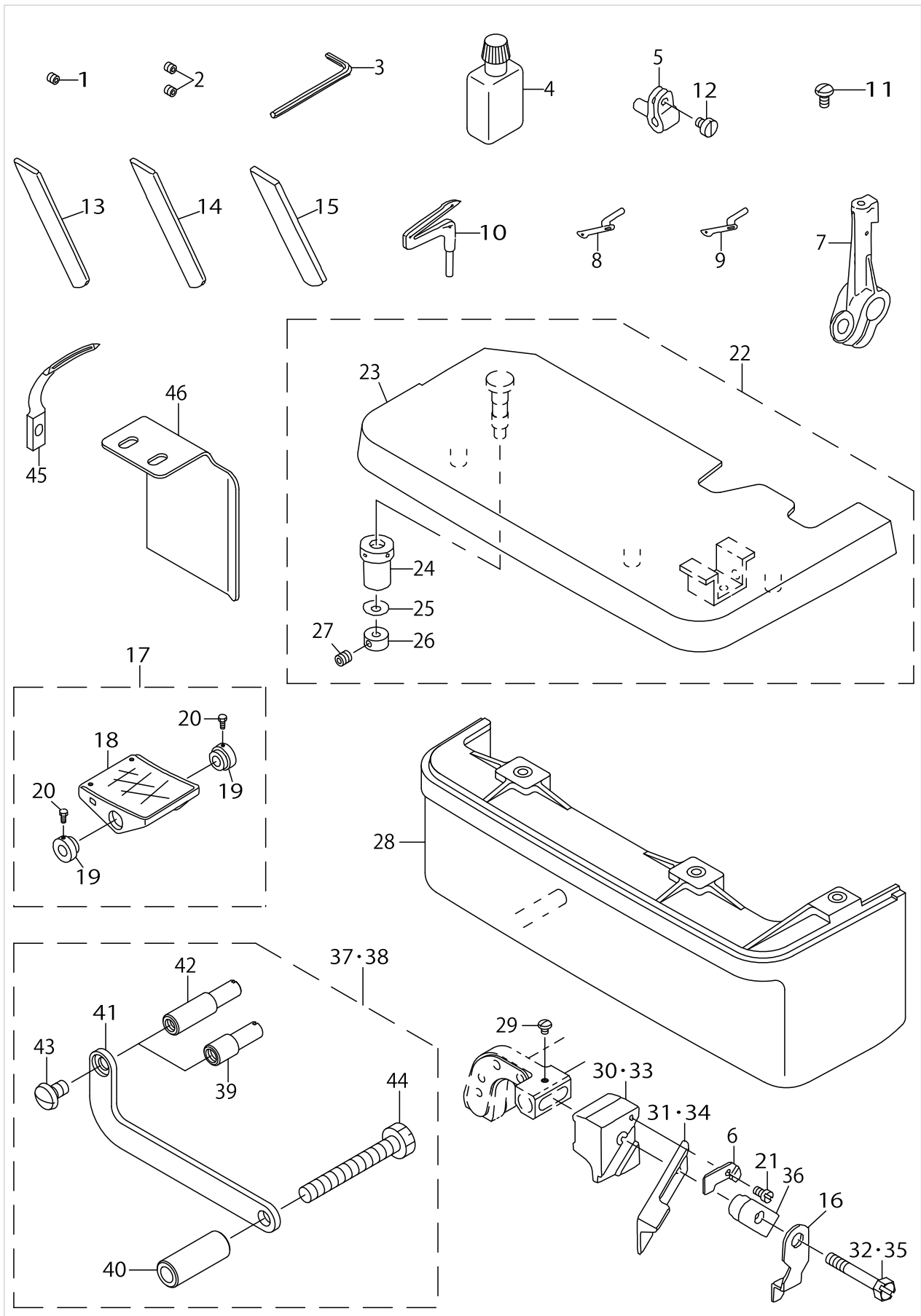
THREAD STAND COMPONENTS (MO-6916R SPECIAL ORDER PARTS)



THREAD STAND COMPONENTS (MO-6916R SPECIAL ORDER PARTS)

No.	Parts No.	Parts name	Remarks	Level	Cons	Qty
1	40106604	THREAD STAND ASM.				1
2	40106575	SPOOL REST LONG ARM UPPER		*		2
3	40085794	THREAD GUIDE		*		5
4	40085795	THREAD GUIDE BUSHING		*		5
5	40085787	SPOOL REST ARM UPPER		*		1
6	40085793	SPOOL REST ROD RUBBER CAP		*		1
7	40085785	SPOOL REST ROD UPPER		*		1
8	40085792	SPOOL REST ROD JOINT		*		1
9	40106581	THREAD GUIDE 5		*		1
10	40106580	THREAD GUIDE UNDER BASE		*		1
11	40106576	THREAD GUIDE ARM		*		1
12	40106579	THREAD GUIDE ARM BASE		*		1
13	40085784	SPOOL REST ROD LOWER		*		1
14	40085791	SPOOL RETAINER		*		5
15	40085790	SPOOL PIN		*		5
16	40085789	SPOOL REST CUSHION		*		5
17	40085788	SPOOL REST		*		5
18	40085786	SPOOL REST ARM LOWER		*		1
19	40106574	SPOOL REST LONG ARM LOWER		*		2
20	40096327	SPOOL REST ARM UPPER SCREW		*		3
21	40096326	SPOOL REST ARM LOWER SCREW		*		3
22	40085796	SPOOL REST ROD RUBBER CUSHION		*		2
23	40096325	SPOOL REST ROD NUT		*		1
24	40106577	SPOOL REST ARM LOWER A		*		1
25	40106578	SPOOL REST ARM LOWER B		*		1
26	SM4041201SC	SCREW M4 L=12		*		3
27	SM4042501SC	SCREW M4X0.7 L=25		*		1
28	SM4051001SE	SCREW M5 L=10		*		2
29	SM4051405SE	SCREW M5 L=14		*		2
30	SK3412001SE	WOOD SCREW D=4.1 L=20		*		2
31	NM6050001SE	NUT M5		*		15
32	NM6040002SC	NUT M4		*		4
33	WP0531001SC	WASHER M5		*		5
34	WP1612616SE	WASHER 16X30X2.6		*		2
35	WS0510002KN	SPRING WASHER M5		*		5

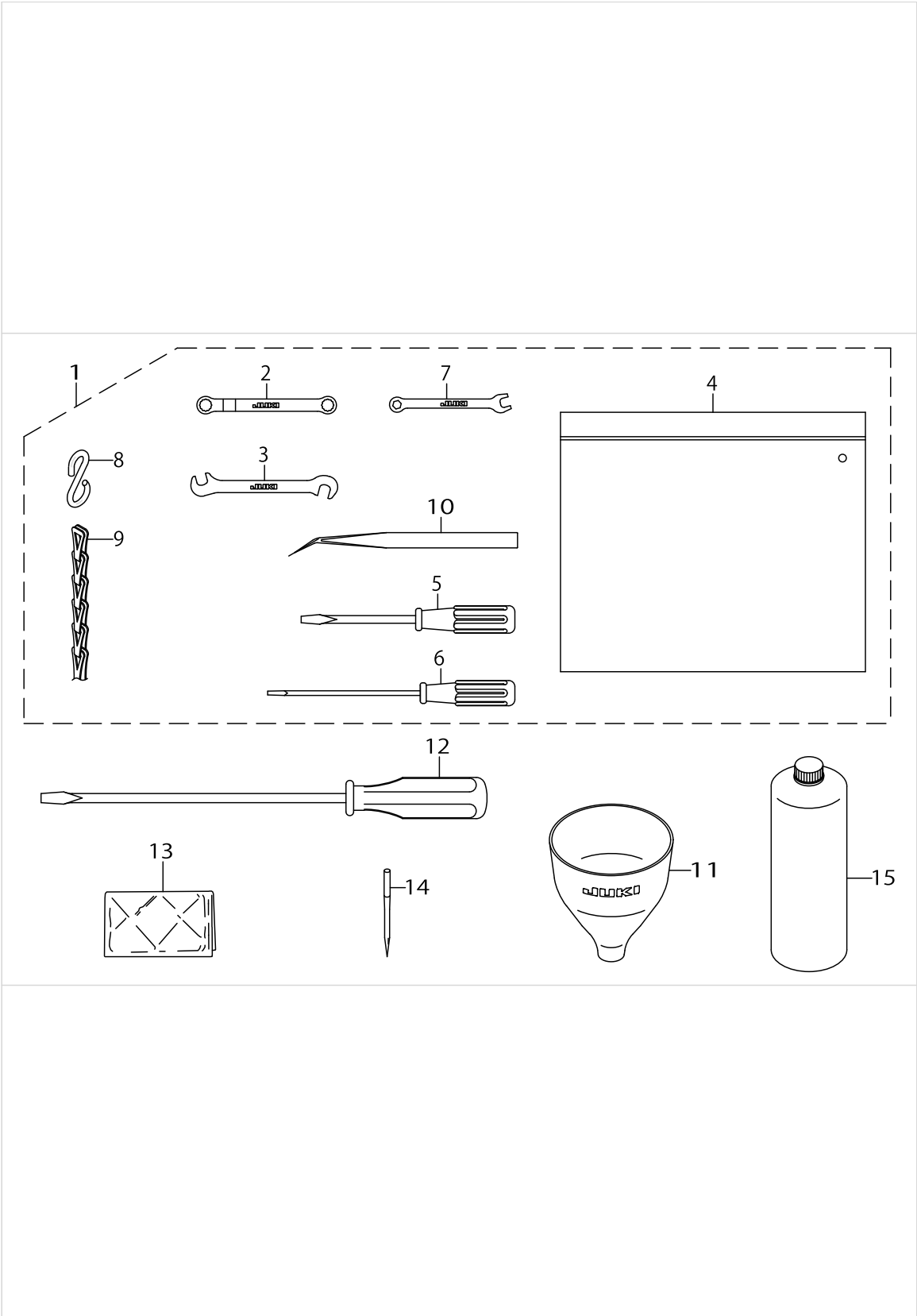
SPECIAL ORDER PARTS COMPONENTS



SPECIAL ORDER PARTS COMPONENTS

No.	Parts No.	Parts name	Remarks	Level	Cons	Qty
1	SS8080322TP	SCREW 1/8-44 L=3.2	FOR MO-6904R			1
2	SS8080322TP	SCREW 1/8-44 L=3.2	FOR MO-6914R,MO-6916R			2
3	B9112804000	SPANNER				1
4	B91351230B0	SILICON OIL LUBRICANT (30CC)				1
5	11544707	UPPER LOOPER SUPPORT ARM				1
6	11565702	WASHER				1
7	12123709	LOWER LOOPER SUPPORT ARM				1
8	B2519804000	UPPER LOOPER	FOR MO-6904R,MO-6916R			1
9	B2519814000	UPPER LOOPER	FOR MO-6914R			1
10	B2521804000	LOWER LOOPER				1
11	SS4080620TP	SCREW 1/8-44 L=6	FOR MO-6904R,MO-6914R			1
12	SS6080410SP	SCREW 1/8-44 L=4				1
13	11847605	LOWER KNIFE				1
14	11964509	CERAMIC LOWER KNIFE				1
15	11992005	LOWER KNIFE				1
16	11848405	UPPER KNIFE COVER				1
17	11965753	PEDAL ASM.				1
18	11965704	PEDAL		*		1
19	11965803	PEDAL THRUST COLLAR		*		2
20	SM9061203SE	SCREW M6 L=12		*		2
21	SS4060310SP	SCREW 3/32-56 L=2.5				1
22	12105458	CLOTH PLATE ASM.	FOR MO-6916R			1
23	12104550	CLOTH PLATE ASM.		*		1
24	11501301	ECCENTRIC BUSHING		*		1
25	WZ0420350KP	DISC SPRING		*		1
26	CS0400671SD	THRUST HOLDER		*		1
27	SM8040302TP	SETSCREW		*		1
28	11949104	CLOTH BASE COVER	FOR MO-6916R			1
29	SS4060310SP	SCREW 3/32-56 L=2.5				1
30	11598000	UPPER KNIFE SUPPORT	FOR MO-6904R,MO-6914R			1
31	11845807	UPPER KNIFE	FOR MO-6904R,MO-6914R			1
32	SS9111610SP	SCREW 11/64-40 L=16	FOR MO-6904R,MO-6914R			1
33	11845500	UPPER KNIFE SUPPORT	FOR MO-6916R			1
34	11845906	UPPER KNIFE	FOR MO-6916R			1
35	SS9112310SP	SCREW 11/64-40 L=23	FOR MO-6916R			1
36	11565504	UPPER KNIFE PRESSER PLATE	FOR MO-6916R			1
37	40011755	SYNCHRONIZER TURN STOPPER ASM.	FOR SC-380			1
38	40025294	SYNCHRONIZER STOPPER ASM.				1
39	40011756	SYNCHRONIZER STOPPER	FOR SC-380	*		1
40	40011758	SYNCHRONIZER BASE COLLAR		*		1
41	40011757	SYNCHRONIZER STOPPER BASE		*		1
42	40022255	SYNCHRONIZER STOPPER		*		1
43	SS5120810SP	SCREW		*		1
44	SS9154540SP	SCREW 15/64-28 L=45		*		1
45	12120713	CHAIN LOOPER	FOR MO-6916R			1
46	40036778	V_BELT SLIDER				1

ACCESSORIES PARTS COMPONENTS



ACCESSORIES PARTS COMPONENTS

No.	Parts No.	Parts name	Remarks	Level	Cons	Qty
1	13160858	ACCESSORIE BAG ASM.				1
2	13160007	RING SPANNER		*		1
3	13160205	PIN SPANNER		*		1
4	22932800	ACCESSORIE BAG		*		1
5	22933105	SCREW DRIVER MIDDLE		*		1
6	12347308	SCREW DRIVER (SMALL)		*		1
7	13160106	SPANNER (5X6)		*		1
8	13160304	S SHAPED HOOK		*		2
9	13160403	CHAIN		*		1
10	12288403	TWEEZERS		*		1
11	13160601	FUNNEL				1
12	22933006	SCREW DRIVER LARGE				1
13	40048535	HEAD_COVER				1
14	MDC270B1104	NEEDLE DCX27 #11-4EA.				1
15	MML018900CA	JUKI MACHINE OIL 18				1

LIST FOR INFORMATION OF CHANGE

As to the place changed, refer to the corresponding Rev.No.
 When previous parts(Obsoleted part)and new parts(Added parts)are
 not interchangeable with each other:
 In this case,even obsoleted parts(D.)can be ordered with the
 obsoleted part number,so select the parts with changed dates and
 place your orders.

変更箇所は、該当Rev.No.版をご参照ください。
 部品の互換性がない変更の場合は、削除された品番でも、ご注文できます。

29362506
 No.1348-06 Rev.No.

*A:Added parts追加部品/D:Obsoleted parts削除部品/E:Erratum訂正

* Rev. No.	Page 頁	Ref. No.	Parts No. 品番	* Rev. No.	Page 頁	Ref. No.	Parts No. 品番
D 05	2	41	132-01504	A 06	2	41	401-02307
				A 06	2	52	401-50131
D 05	4	17	CM-3002000-A1	A 06	4	17	CM-3002000-01
D 05	4	36	CM-3002001-B1	A 06	4	36	CM-3013000-01
D 05	8	38	122-81705	A 06	8	38	131-11505
D 05	8	39	122-81804	A 06	8	39	131-11604
D 05	8	40	122-81903	A 06	8	40	131-11703
D 05	10	23	122-82703	A 06	10	23	131-19409
D 05	10	24	122-82802	A 06	10	24	131-19508
D 05	12	10	121-18204	A 06	12	10	700-04244
D 05	14	21	123-08409	A 06	14	21	400-78183
D 05	16	18	123-11502	A 06	16	18	312-10503
D 05	18	59	131-72853	A 06	18	59	CS-1031210-SH
D 05	18	60	131-72804	A 06	18	60	CS-1031219-SH
D 05	18	62	131-72853	A 06	18	62	CS-1031210-SH
D 05	18	63	131-72804	A 06	18	63	CS-1031219-SH
				A 06	20	47	700-04672
				A 06	20	48	SS-8080310-TP
D 05	24	34	122-83909	A 06	24	34	131-28509
D 05	24	35	122-84006	A 06	24	35	131-28608
D 05	27	4	123-18101	A 06	27	4	312-16005
D 05	31	18	SK-2351600-SC	A 06	31	18	SK-2351601-SE
D 05	31	24	SK-2351600-SC	A 06	31	24	SK-2351601-SE
D 05	32	4	SK-2351600-SC	A 06	32	4	SK-2351601-SE
D 05	36	1	131-67556	A 06	36	1	401-06590
D 05	38	1	131-67754	A 06	38	1	401-06593
D 05	40	1	131-67655	A 06	40	1	401-06591
D 05	42	1	131-67853	A 06	42	1	401-06604
D 05	45	16	131-42500				

HOW TO MAKE USE OF THIS PARTS LIST

1.Explanation of codes

1)"*"mark.....means this part is changed from the previous parts book.

As to the details of the change, refer to the "List for information of change".

2)"#01".....refer to "Note" explanation at bottom of page.

2.Codes on the "Qty" column

• Each numeral indicates the number of parts required.

• "0.1" and "2.5" indicate the length (in meters) of the respective parts.

3.Parentheses mean that the corresponding part is a subpart that constructs an assembly part.

4.Dotted lines on the Figures indicate assembly parts.

1."注記"欄の記号説明

1) "*"印.....前回のパーツブックに比較して今回変更された部品を意味します。

変更内容は、"変更情報リスト"を参照してください。

2) "#01".....ページ下の"注記"の説明を参照してください。

2.数量欄の数字は、個数を表し、0.1、2.5等の数値は、長さ（単位メートル）を表します。

3.数量欄の（ ）は、組部品を構成している子部品であることを意味します。

4.イラストページの-----枠は、組構成であることを意味します。

NUMERICAL INDEX OF PARTS

PART NO	PAGE	REF NO.	PART NO	PAGE	REF NO.	PART NO	PAGE	REF NO.
10753309	6	39	11890001	34	71	12116901	30	29·51~ 54
11151065	62	26	11890100	48	37	12117008	18	18~22
11151909	62	31	11890308	48	38	12117008	30	29·51~ 54
11155108	58	19	11898400	28	28	12118303	20	9
11155108	60	32	11913407	24	29	12120150	10	38
11155207	58	20	11914405	24	30	12120705	36	44
11155207	60	33	11918109	54	6	12120713	72	45
11157567	62	2	11930500	42	15	12121612	36	34
11159001	62	18	11930708	42	25	12122362	10	30
11159365	62	14	11930807	42	26	12123360	10	34
11246501	62	38	11930906	42	16	12123709	72	7
11246600	62	37	11931706	42	24	12129318	54	17
11501301	72	24	11949104	72	28	12132106	10	43
11529005	28	24	11959400	58	21	12132619	48	15
11544707	72	5	11959558	60	15	12132700	48	20·26
11565504	50	30	11960655	62	1	12132809	48	20·26
11565504	72	36	11960754	62	13	12132908	48	24
11565603	50	32	11964509	72	14	12133005	48	27
11565702	50	31	11965704	72	18	12133104	48	22
11565702	72	6	11965753	72	17	12133211	48	11
11566809	24	28	11965803	72	19	12133708	48	28
11566809	50	12	11992005	72	15	12176004	34	69
11598000	50	24·27	11999307	34	70	12177903	48	41
11598000	72	30·33	12015301	48	39	12257002	16	64
11802006	48	32	12015400	48	40	12280103	10	9
11806304	48	12	12102208	48	16	12280707	14	2
11824075	18	32	12102810	48	23	12280756	14	1
11825304	22	51	12102950	48	31	12280905	14	24
11826005	28	25	12103107	48	29	12281002	14	25
11826104	28	26	12103701	48	18	12282604	18	16
11826203	28	27	12104550	72	23	12283008	18	25
11826401	22	52	12105458	72	22	12283602	44	31
11829751	36	9	12108403	10	25	12283701	44	32
11840303	54	8	12109104	10	28	12283800	44	33
11845500	50	24·27	12113205	38	1	12288403	74	10
11845500	72	30·33	12113817	38	4	12288700	38	33
11845807	50	25·28	12116604	18	18~22	12288908	48	7
11845807	72	31·34	12116604	30	29·51~ 54	12300356	2	11
11845906	50	25·28	12116703	18	18~22	12305504	26	64
11845906	72	31·34	12116703	28	29·51~ 54	12305611	42	1
11846607	48	14	12116703	28	29·51~ 54	12306007	24	14
11846805	48	33	12116802	18	18~22	12306106	38	10
11847605	72	13	12116802	30	29·51~ 54	12306353	38	12
11848405	72	16	12116802	30	29·51~ 54	12306551	38	13
11888104	34	68	12116901	18	18~22			

NUMERICAL INDEX OF PARTS

PART NO	PAGE	REF NO.	PART NO	PAGE	REF NO.	PART NO	PAGE	REF NO.
12306601	38	15	12320107	42	23	13104500	6	10
12306700	38	16	12320206	42	21	13104807	6	29
12306809	38	22	12320305	42	28	13104906	10	20
12308102	28	2	12330007	26	62	13107602	10	4
12308201	28	3	12340303	32	31	13107701	10	10
12308300	24	26	12340402	32	33	13107800	10	6
12308300	28	4	12340501	34	48	13108105	10	24
12308409	28	5	12340600	32	25	13108303	10	27
12308508	28	6	12340709	32	27	13108402	10	8
12308706	28	9	12340808	34	50	13110002	14	15
12308755	28	8	12341806	58	16	13110101	14	5
12308805	28	10	12341806	60	25	13110200	14	22
12308904	28	13	12341905	58	5	13110259	14	21
12309605	24	6	12341954	58	4	13110606	14	4
12309704	24	7	12342200	36	18	13110903	14	26
12309902	24	9	12342309	36	1	13111000	14	27
12310009	24	10	12343406	10	23	13111109	14	31
12310504	24	15	12347308	74	6	13111505	14	38
12310801	24	19	12347555	44	38	13111604	14	39
12310850	24	18	13100805	2	16	13111703	14	40
12310900	24	20	13100904	2	15	13115407	38	8
12311007	24	22	13101001	2	21	13116207	38	23
12311106	24	23	13101209	2	18	13116306	38	20
12311205	28	15	13101308	2	30	13116603	38	24
12311809	28	20	13101407	2	19	13116702	42	2
12311908	28	21	13101506	2	25	13116900	38	21
12312005	28	22	13101605	2	26	13117007	38	19
12312104	28	23	13101704	2	28	13117106	38	34
12315008	54	1	13101803	2	32	13118054	18	1
12315800	54	27	13101902	2	36	13119300	18	14
12315909	54	3	13102058	2	35	13119409	18	23
12316006	54	10	13102207	2	45	13119508	18	24
12316105	54	11	13102405	2	3	13119706	18	39
12316402	26	68~70	13102504	6	20	13119805	18	42
12316501	26	68~70	13102553	6	19	13119904	18	33
12316600	26	68~70	13102603	6	23	13120001	18	41
12316709	26	71~73	13102702	48	46	13120506	18	43
12316808	26	71~73	13102900	6	38	13120605	18	2
12316907	26	71~73	13103650	2	34	13120803	20	33
12317004	54	9	13103700	4	51	13120902	20	29
12317103	26	74	13103809	2	13	13121009	20	31
12317202	26	75	13103908	6	24	13121058	20	30
12318002	50	2	13104104	2	1	13121108	22	75
12320008	42	27	13104203	2	2	13121207	20	43
12320057	42	20	13104302	2	44	13121256	20	42

NUMERICAL INDEX OF PARTS

PART NO	PAGE	REF NO.	PART NO	PAGE	REF NO.	PART NO	PAGE	REF NO.
13121306	20	40	13131206	32	37~41	13144100	54	39
13121405	20	26	13131305	32	37~41	13144209	54	40
13121603	22	49	13131404	32	37~41	13147301	50	9
13121900	20	45	13131503	32	37~41	13147400	50	7
13122007	16	49~52	13131602	32	37~41	13150503	50	17
13122007	50	13~16	13131701	32	44	13150602	50	18
13122106	16	49~52	13131800	32	46	13150701	48	45
13122106	50	13~16	13131909	32	45	13150800	50	11
13122205	16	49~52	13132006	32	47	13151006	50	6
13122205	50	13~16	13132501	32	20	13151105	48	35
13122304	16	49~52	13132550	32	19	13151204	48	5
13122304	50	13~16	13132600	32	23	13155007	58	15
13122403	18	5	13132907	32	35	13155106	60	17
13122452	18	4	13133053	32	24	13155205	60	18
13122700	20	18	13137559	44	2	13155304	60	27
13122809	20	24	13137609	44	12	13155403	58	13
13123302	20	39	13137708	44	8~10	13155403	60	16
13123302	38	44	13137807	44	5~7	13155502	58	10
13125901	36	13	13137906	44	13	13155502	60	22
13125950	36	12	13138003	44	16	13155601	58	8
13126008	36	4	13138102	44	14	13155601	60	20
13126503	36	19~22	13138201	44	27	13155700	58	9
13126602	36	19~22	13138359	44	3	13155700	60	21
13126701	36	19~22	13138409	44	8~10	13155759	58	7
13126800	36	19~22	13138508	44	5~7	13155759	60	19
13126909	36	3	13138656	44	4	13155858	60	5
13127006	36	17	13138706	44	8~10	13155908	60	8
13127204	36	23~26	13138805	44	5~7	13156005	60	9
13127303	36	23~26	13138904	44	11	13156104	60	10
13127402	36	23~26	13139555	44	20	13156203	60	6
13127501	36	23~26	13139605	44	22	13156302	60	7
13128103	36	16	13139704	44	25	13156500	58	14
13128509	44	34	13139803	44	24	13160007	74	2
13128608	44	35	13139902	44	23	13160106	74	7
13128707	44	36	13140009	44	21	13160205	74	3
13129259	44	37	13142500	54	25	13160304	74	8
13129309	32	21	13142609	16	48	13160403	74	9
13129309	36	7	13142609	54	38	13160601	74	11
13129903	36	6	13142955	54	33	13160700	6	42
13129952	36	5	13143300	54	29	13160858	74	1
13130109	36	42	13143417	54	43	13160908	58	2
13131008	32	5	13143508	54	44	13160908	60	2
13131057	32	4	13143607	54	47	13161005	58	1
13131107	32	8	13143706	56	48	13161005	60	1
13131156	32	7	13144001	54	30	13161153	58	3

NUMERICAL INDEX OF PARTS

PART NO	PAGE	REF NO.	PART NO	PAGE	REF NO.	PART NO	PAGE	REF NO.
13161153	60	26	13201009	6	12	13216106	20	19
13162557	52	6	13201108	6	28	13216205	20	21
13162565	52	7	13201207	6	33	13216304	20	23
13162573	52	8	13201306	6	32	13216601	18	28
13162805	52	18	13201405	6	16	13216700	18	29
13162904	52	20	13201454	6	15	13216809	18	26
13163001	52	21	13201603	2	42	13217351	20	47
13163159	52	15	13204003	6	35	13217401	22	57
13163167	52	16	13205406	10	19	13217500	22	58
13163175	52	17	13207709	14	18	13217708	20	36
13163456	52	1	13207808	14	20	13217807	18	12·31
13163704	52	25	13208004	16	68	13217906	18	12·31
13163803	52	2	13208103	16	70	13218003	22	54
13163902	52	3	13208301	14	17	13218052	22	50
13170006	6	9	13208350	14	16	13218102	22	56
13170105	6	21	13208608	14	46	13220009	36	15
13170204	6	11	13208707	14	30	13221403	34	72~74
13170204	20	34	13208806	14	28	13221502	34	72~74
13170303	10	14	13208905	14	29	13221601	34	72~74
13170402	38	37	13209101	14	9~11	13221700	32	13~15
13170501	22	48	13209200	14	9~11	13221809	32	13~15
13170600	32	16	13209309	14	9~11	13221908	32	13~15
13170808	54	34	13209408	14	12~14	13222203	34	52
13171004	6	22	13209507	14	12~14	13222302	34	53
13172507	18	10	13209606	14	12~14	13222401	32	29
13172556	18	9	13209705	14	19	13222609	32	2
13172705	16	55	13209804	14	7	13222708	32	3
13172754	16	54	13209853	14	6	13225008	44	1
13172903	2	38	13212709	38	35	13225107	44	18·19
13175203	16	63	13212808	38	41	13228655	54	23
13191309	22	70	13212915	38	43	13228804	56	55
13191408	22	71	13213012	20	38	13228903	56	59
13191606	22	64	13213012	38	42	13229000	56	61
13192000	22	65	13213301	38	39	13229109	56	57
13192406	22	66	13215108	20	2	13229307	56	53
13192802	22	67	13215157	20	1	13229406	56	58
13193206	22	68	13215207	20	3	13230107	54	45
13193602	22	69	13215306	20	4	13232657	48	9·10
13200209	6	1	13215405	20	5	13232756	48	9·10
13200308	6	2	13215504	20	6	13235304	48	19
13200407	6	5	13215603	20	7	13240007	4	48~50
13200605	6	6	13215702	20	11	13240106	4	48~50
13200704	2	7	13215801	20	17	13240205	4	48~50
13200803	2	8	13215900	20	13	13244009	14	47
13200902	22	77	13216007	20	14	13244108	18	30

NUMERICAL INDEX OF PARTS

PART NO	PAGE	REF NO.	PART NO	PAGE	REF NO.	PART NO	PAGE	REF NO.
13270400	6	43	31202807	14	36	40085784	64	12
13270509	6	44	31204258	38	7	40085784	66	10
13272505	14	43	31204407	26	63	40085784	68	13
13272554	14	42	31207301	28	1	40085784	70	13
13273701	38	2	31207905	28	7	40085785	64	6
13274204	38	11	31208408	28	14	40085785	66	14
13274253	38	9	31208507	24	1	40085785	68	7
13275003	56	52	31208606	24	2	40085785	70	7
13275102	56	51	31208705	24	3	40085786	64	17
13275151	56	50	31208804	24	4	40085786	68	18
13275201	56	54	31208903	24	5	40085786	70	18
13276209	24	12	31210305	28	16	40085787	64	2
13276308	24	11	31210404	28	17	40085787	68	5
13276407	24	16	31210503	28	18	40085787	70	5
13276506	24	17	31210750	28	19	40085788	64	16
13276704	24	13	31211303	24	24	40085788	66	21
13276803	26	81	31211402	24	25	40085788	68	17
13276902	56	67	31216005	50	4	40085788	70	17
13277009	56	68	40010804	34	55	40085789	64	15
13277157	56	69	40010805	36	41	40085789	66	12
13277207	26	79	40010885	16	62	40085789	68	16
13277405	24	8	40011234	32	12	40085789	70	16
13277405	50	5	40011753	38	32	40085790	64	14
13277900	26	60	40011755	72	37·38	40085790	66	22
13278007	26	61	40011756	72	39	40085790	68	15
13278700	42	6	40011757	72	41	40085790	70	15
13278759	42	4	40011758	72	40	40085791	64	13
13278809	42	14	40015637	32	10·11	40085791	66	23
13278858	42	12	40016762	54	12	40085791	68	14
13278908	42	13	40016763	54	20	40085791	70	14
13343009	54	4	40016841	32	10·11	40085792	64	7
13765607	56	70	40017714	10	47	40085792	66	16
22901805	6	37	40017824	10	41	40085792	68	8
22921407	44	26	40018045	54	2	40085792	70	8
22924708	6	8	40022255	72	42	40085793	64	5
22932800	74	4	40023234	10	2	40085793	66	15
22933006	74	12	40023235	10	1	40085793	68	6
22933105	74	5	40025294	72	37·38	40085793	70	6
23630007	14	45	40034897	38	31	40085794	64	4
23630007	54	71	40035711	12	48	40085794	66	4
23630007	56	71	40036778	72	46	40085794	68	3
31018005	56	60	40037392	8	49	40085794	70	3
31200504	6	46	40040065	8	50	40085795	64	3
31202609	14	34	40048535	74	13	40085795	66	3
31202708	14	35	40078183	24	21	40085795	68	4

NUMERICAL INDEX OF PARTS

PART NO	PAGE	REF NO.	PART NO	PAGE	REF NO.	PART NO	PAGE	REF NO.
40085795	70	4	40106591	68	1	BP30000010R	56	62
40085796	64	20	40106593	66	1	CM300200001	2	40
40085796	66	13	40106604	70	1	CM300200001	6	17
40085796	68	21	40150131	4	52	CM301300001	6	36
40085796	70	22	70004244	20	10	CM600100101	8	51
40096325	64	21	70004672	38	47	CQ200000000	14	44
40096325	66	11	B1211804000	10	18	CQ200000000	34	57-58
40096325	68	22	B1212704000	10	17	CQ202000000	16	58
40096325	70	23	B1215804000	10	21-22	CQ202000000	26	80-82
40096326	64	19	B1606704000	18	13	CQ202000000	34	57-58
40096326	66	8	B1612804A00	18	35~38	CQ252000000	16	60
40096326	68	23	B1612804A00	26	31-76~ 78	CQ252000000	26	80-82
40096326	70	21	B1612804B00	18	35~38	CS0400671SD	72	26
40096327	64	18	B1612804B00	18	35~38	CS1001011SH	24	33
40096327	66	5	B1612804B00	26	31-76~ 78	CS1001011SH	28	33
40096327	68	20	B1612804C00	18	35~38	CS1031210SH	34	59-62
40096327	70	20	B1612804C00	18	35~38	CS1031219SH	34	60-63
40102307	2	41	B1612804C00	24	31-76~ 78	CS1111019SH	24	36
40106574	66	7	B1612804D00	18	35~38	CS1111019SH	50	22
40106574	68	19	B1612804D00	26	31-76~ 78	CS111101HSH	24	35
40106574	70	19	B1646704000A	28	30	CS111101HSH	50	21
40106575	66	2	B2024771000	24	32	D8113555B00	62	33
40106575	68	2	B2024771000	24	32	D8204555D00	58	22
40106575	70	2	B2024771000	50	1	D8204555D00	60	34
40106576	64	10	B2105816000	36	11	EA9500B0100	16	69
40106576	66	17	B2119816A00	36	27~31	GPF06060000	62	15
40106576	68	11	B2119816B00	36	27~31	GPF06070000	62	16
40106576	70	11	B2119816C00	36	27~31	GPF06080000	62	17
40106577	66	6	B2119816D00	36	27~31	MDC270B1100	16	66
40106577	70	24	B2119816E00	36	27~31	MDC270B1104	74	14
40106578	66	9	B2120816000	36	10	MML018900CA	74	15
40106578	70	25	B2202816000	44	39	NM6040000SN	24	38
40106579	64	11	B2402716000	44	40	NM6040002SC	64	25
40106579	66	18	B2519804000	72	8	NM6040002SC	66	30
40106579	68	12	B2519814000	72	9	NM6040002SC	68	27
40106579	70	12	B2521804000	72	10	NM6040002SC	70	32
40106580	64	9	B2530704000	34	56	NM6050001SE	64	26
40106580	66	20	B3525704000	26	52	NM6050001SE	66	29
40106580	68	10	B3534352000	54	7	NM6050001SE	68	28
40106580	70	10	B71140120A0	62	25	NM6050001SE	70	31
40106581	68	9	B81517710A0	62	27	NM6060003SC	38	25
40106581	70	9	B8152771000	62	39	NM6080001SE	62	21
40106582	64	8	B8153771000	62	40	NM6080011SF	24	39
40106582	66	19	B9112804000	72	3	NM6080600SM	60	29
40106590	64	1	B91351230B0	72	4	NM6080721SE	62	32

NUMERICAL INDEX OF PARTS

PART NO	PAGE	REF NO.	PART NO	PAGE	REF NO.	PART NO	PAGE	REF NO.
NS6090310SN	2	5	SM1040801SC	6	13	SM6061402TP	18	6
NS6090310SP	58	12	SM4030455SP	20	16	SM6061610SC	28	46
NS6090310SP	60	24	SM4040655SP	2	31	SM6061802TP	54	21
NS6110310SP	54	32	SM4040655SP	32	30	SM8040302TP	2	39
NS6110420SP	2	46	SM4040855SP	2	43	SM8040302TP	72	27
NS6110420SP	38	26	SM4040855SP	6	14	SM8040402TP	38	38
NS6150430SP	26	65	SM4040855SP	10	26	SM8050412TP	38	30
NS6240630SE	58	23	SM4040855SP	14	41	SM8050412TP	54	5
NS6240630SE	60	40	SM4040855SP	20	35	SM8050502TP	54	42
NS6620320SP	18	40	SM4040855SP	52	5	SM9051203CP	24	41
NS6680410SP	6	27	SM4041055SP	2	17	SM9061203SE	62	34
PS0150082KH	28	12	SM4041055SP	22	60	SM9061203SE	72	20
PS0200052KH	44	28	SM4041201SC	64	22	SM9061250TP	24	43
PS0250062KH	36	32	SM4041201SC	66	24	SM9061250TP	28	44
PS0300062KH	32	18	SM4041201SC	68	24	SM9061250TP	50	3
R4200J6ED00	48	1	SM4041201SC	70	26	SM9082023SE	62	28
R4305J6EE00	48	2	SM4041455SN	18	27	SM9082513CF	60	28
R4508J6ED00	48	3	SM4042501SC	64	23	SQ0000451MZ	56	63
RE0300000K0	20	37	SM4042501SC	66	26	SQ1110401MZ	54	15
RE0300000K0	28	37	SM4042501SC	68	26	SQ1110451MZ	54	36
RE0300000K0	38	18	SM4042501SC	70	27	SQ1150441SD	56	64
RE0400000K0	24	40	SM4050855SP	10	7	SQ1150451MZ	54	37
RE0400000K0	28	38	SM4050855SP	44	44	SQ1150454SD	54	26
RE0500000K0	20	41	SM4051001SE	66	27	SS1060610SP	20	20
RE0900000K0	28	39	SM4051001SE	70	28	SS2090520SL	2	4
RO068190100	28	40	SM4051055SP	6	45	SS2110710TP	24	44
SB110000300	10	21-22	SM4051055SP	48	8	SS2110910SL	48	4
SD0280401SL	16	61	SM4051255SP	6	7	SS3090610SP	2	6
SD0600341TP	44	42	SM4051255SP	20	25	SS3090610SP	32	51
SD0720271SP	22	59	SM4051405SE	64	24	SS3090610SP	34	51
SD0720332SP	36	40	SM4051405SE	66	25	SS4060310SP	50	34
SD0720803TH	36	33	SM4051405SE	68	25	SS4060310SP	72	29
SK2351601SE	58	24	SM4051405SE	70	29	SS4080415SP	42	29
SK2351601SE	60	4	SM4051601SC	54	35	SS4080620TP	22	72
SK3311500SC	58	25	SM4060801SE	56	72	SS4080620TP	36	36
SK3311500SC	60	35	SM6030510SC	28	43	SS4080620TP	72	11
SK3412001SE	6	40	SM6040600SP	20	22	SS4090415SP	44	48
SK3412001SE	66	28	SM6051202TP	18	34	SS4090415SP	46	48
SK3412001SE	70	30	SM6051202TP	22	55	SS4090515SP	20	27
SK3513200SC	58	26	SM6051202TP	36	14	SS4090515SP	28	47
SK3513200SC	60	31	SM6061200SP	32	17	SS4090615SP	34	49
SL9061291SE	62	24	SM6061200SP	38	27	SS4091015SP	2	14
SL9082091SE	62	22	SM6061202TP	10	37	SS4091015SP	52	22
SM0030301SN	28	42	SM6061210SC	28	45	SS4110515SP	14	33
SM1040801SC	2	10	SM6061402TP	14	8	SS4110515SP	46	49

NUMERICAL INDEX OF PARTS

PART NO	PAGE	REF NO.	PART NO	PAGE	REF NO.	PART NO	PAGE	REF NO.
SS4110615SP	44	30	SS6121020SP	38	40	SS8080322TP	72	2
SS4110615SP	54	19	SS6121020SP	54	46	SS8090530TP	16	59
SS4112215SP	54	13	SS6121220TP	18	3	SS8110410TP	2	24
SS4120615SP	2	12	SS6151440SP	48	34	SS8110410TP	18	11
SS4151215SP	6	18	SS6660710TP	30	49	SS8110410TP	20	44
SS5080212TP	10	3	SS6661110SP	20	46	SS8110410TP	44	17
SS5090610SP	58	11	SS7060310SP	20	12	SS8110520TP	54	28
SS5090610SP	60	23	SS7060310SP	56	49	SS8151150TP	10	5
SS5110710SP	6	31	SS7060510SP	42	3	SS8660330SP	20	32
SS5110710SP	58	17	SS7060510SP	48	43	SS8660330SP	24	37
SS5110710SP	60	38	SS7060610SP	34	54	SS8660330SP	50	23
SS5120810SP	72	43	SS7080520SP	42	18	SS8660530TP	24	34
SS5150510SP	44	41	SS7090410SP	26	49	SS8660530TP	28	34
SS6060440TP	32	1	SS7090510SP	48	42	SS8660610TP	16	56
SS6080320SP	18	15	SS7090530SP	2	20	SS8660610TP	34	61·64
SS6080340SP	22	78	SS7090610SP	2	22	SS9090410TP	32	43
SS6080410SP	22	53	SS7090610SP	48	44	SS9090610TP	30	50
SS6080410SP	32	28	SS7090610SP	52	19	SS9090610TP	32	42
SS6080410SP	72	12	SS7090611SL	6	34	SS9090823TP	50	19
SS6080720SP	14	23	SS7090710SP	48	25	SS9111010SP	22	73
SS6081210TP	10	42	SS7090850SP	32	26	SS9111010SP	48	21
SS6090420SP	60	11	SS7091410SP	2	33	SS9111050SP	22	74
SS6090620TP	20	8	SS7110510SP	2	27	SS9111610SP	50	26·29
SS6090620TP	34	65	SS7110510SP	38	14	SS9111610SP	72	32·35
SS6090620TP	36	37	SS7110710SL	44	29	SS9112310SP	50	26·29
SS6090630TP	34	67	SS7110710SP	2	29	SS9112310SP	72	32·35
SS6090630TP	58	27	SS7110720SP	48	13	SS9151210TP	26	66
SS6090630TP	60	37	SS7110720TP	36	39	SS9151210TP	32	22
SS6090670TP	14	37	SS7110740TP	26	50	SS9151210TP	36	8
SS6090670TP	42	22	SS7110840SP	10	46	SS9151210TP	38	6
SS6090810SP	54	14	SS7110840SP	32	36	SS9154540SP	72	44
SS6090920SP	36	43	SS7110840SP	38	28	SS9681610TP	10	12
SS6110420TP	24	45	SS7110840SP	48	36	ST60308210A	60	13
SS6110520TP	24	46	SS7110840SP	52	24	TA0180401M0	26	54
SS6110610TP	8	47	SS7110910TP	8	48	TA0340201R0	24	55
SS6110610TP	48	17	SS7110910TP	18	17	TA0340201R0	26	55
SS6110710TP	24	47	SS7111410TP	10	40	TA0400301M0	54	41
SS6110710TP	36	38	SS7111410TP	38	29	TA0800501R0	26	56
SS6110710TP	38	5	SS7111810TP	10	44	TA0800504R0	22	76
SS6110820TP	26	48	SS7111810TP	28	41	TA0950806R0	52	4
SS6111040SP	50	8	SS7150740SP	38	45	TA1030402R0	18	7
SS6111440SP	2	47	SS7151120SP	48	30	TA1871602R0	6	41
SS6111610SP	50	10	SS7161040SP	38	3	TA2050416R0	18	8
SS6120620TP	56	66	SS8080310TP	16	67	WP0370316SD	50	20
SS6121020SP	26	67	SS8080310TP	40	48	WP0370316SD	60	14

NUMERICAL INDEX OF PARTS

PART NO	PAGE	REF NO.
WP0371016SD	20	28
WP0371016SD	28	35
WP0371026SD	42	19
WP0371026SD	52	23
WP0371036SD	26	57
WP0451026SH	26	58
WP0460556SD	22	61
WP0460556SD	28	36
WP0460556SD	38	46
WP0480856SP	22	62
WP0531001SC	64	28
WP0531001SC	66	31
WP0531001SC	68	30
WP0531001SC	70	33
WP0621016SD	22	63
WP0621016SD	30	48
WP0621016SH	26	59
WP0651056SD	54	22
WP0671016SE	62	36
WP0751576SD	6	25
WP0764016SP	10	13
WP0850002SC	60	30
WP0871602SE	62	30
WP1002036SE	58	28
WP1002036SE	60	39
WP1612616SE	64	27
WP1612616SE	66	32
WP1612616SE	68	29
WP1612616SE	70	34
WS0510002KN	64	29
WS0510002KN	66	33
WS0510002KN	68	31
WS0510002KN	70	35
WS0621210KR	62	35
WS0822010KP	6	26
WS0861410KR	62	29
WS1002560KR	58	29
WS1002560KR	60	36
WZ0420350KP	2	37
WZ0420350KP	72	25
WZ0640312K0	44	43
WZ0850302K0	6	30
WZ2640310KH	10	15