

MODEL : LU-1560N/LU-1560N-7

List No : 1340-09

# PARTS LIST

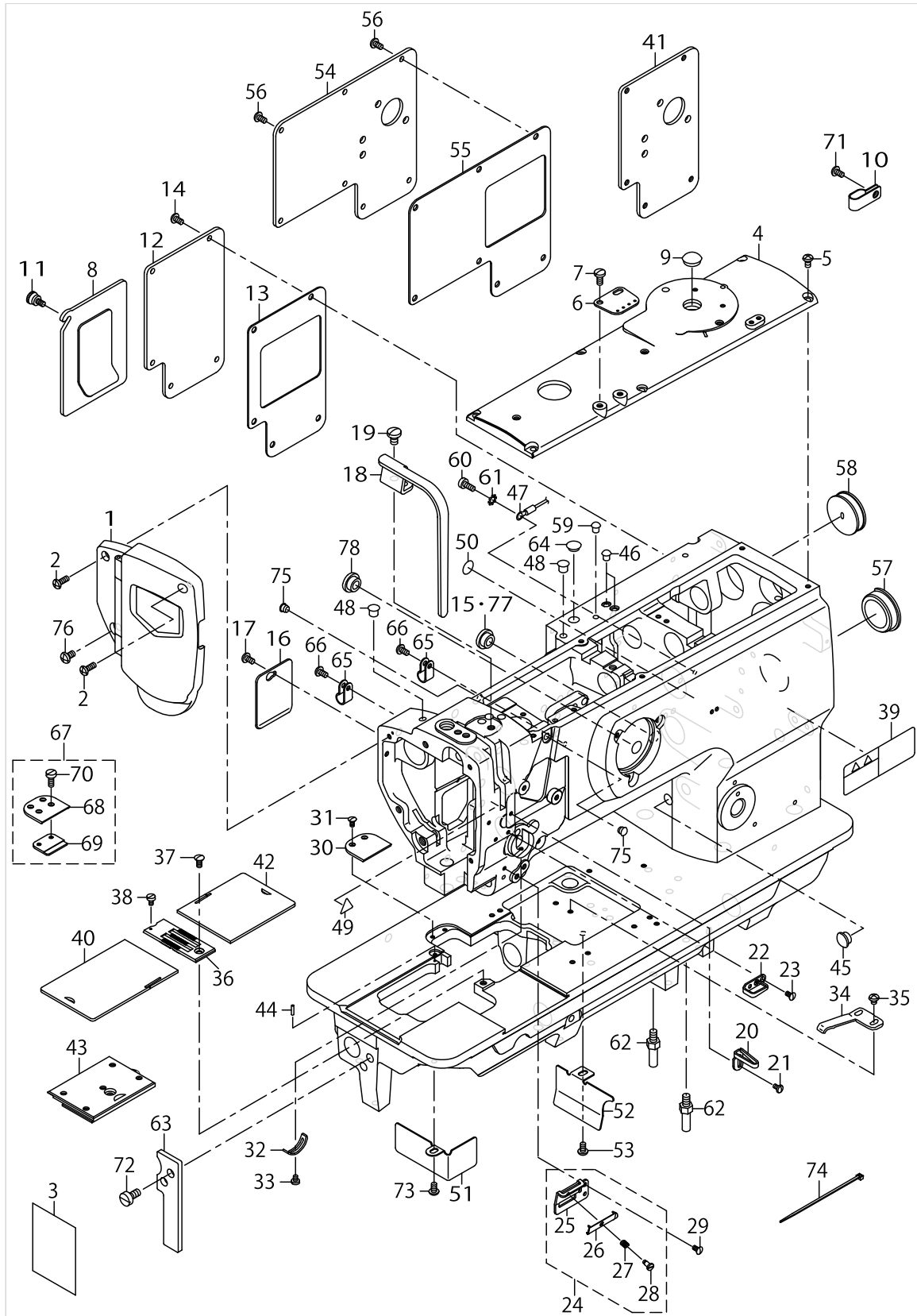
Published:11/30/2017

## CONTENTS

---

FRAME & MISCELLANEOUS COVER COMPONENTS .....	1
UPPER SHAFT,LOWER SHAFT DRIVING & BALANCE COMPONENTS .....	5
NEEDLE BAR ROCKING COMPONENTS .....	9
PRESSURE ADJUSTING & UPPER FEED MECHANISM COMPONENTS.....	11
FEED MECHANISM COMPONENTS.....	17
HOOK SHAFT & LOWER SHAFT COMPONENTS .....	21
THREAD CUTTING COMPONENTS (FOR LU-1560N-7) .....	25
AUTOMATIC BACK COMPONENTS (FOR LU-1560N-7) .....	29
THREAD TENSION COMPONENTS .....	31
THREAD RELEASE COMPONENTS (FOR LU-1560N-7).....	33
KNEE LIFTING COMPONENTS .....	35
LOWER THREAD WINDER MECHANISM COMPONENTS .....	37
AUTOMATIC PRESSER LIFTING MECHANISM COMPONENTS (FOR LU-1560N-7).....	39
AIR MECHANISM COMPONENTS (FOR LU-1560N-7) .....	41
LUBRICATION COMPONENTS .....	43
THREAD STAND COMPONENTS.....	47
OPTIONAL PARTS (ADDITIONAL SPRING FOR PRESSER BAR) COMPONENTS .....	49
AUTOMATIC BACK COMPONENTS (OPTIONAL PARTS).....	51
AUTOMATIC PRESSER LIFTING MECHANISM COMPONENTS (OPTIONAL PARTS).....	55
BELT COVER & OIL RESERVOIR COMPONENTS.....	57
DL MECHANISM COMPONENTS (OPTIONAL PARTS) .....	59
SUSPENSION SQUARE COMPONENTS (OPTIONAL PARTS) .....	61
ACCESSORIES PARTS COMPONENTS .....	63
TABLE OF EXCHANGING GAUGE PARTS.....	65
LIST FOR INFORMATION OF CHANGE.....	69
HOW TO MAKE USE OF THIS PARTS LIST .....	70

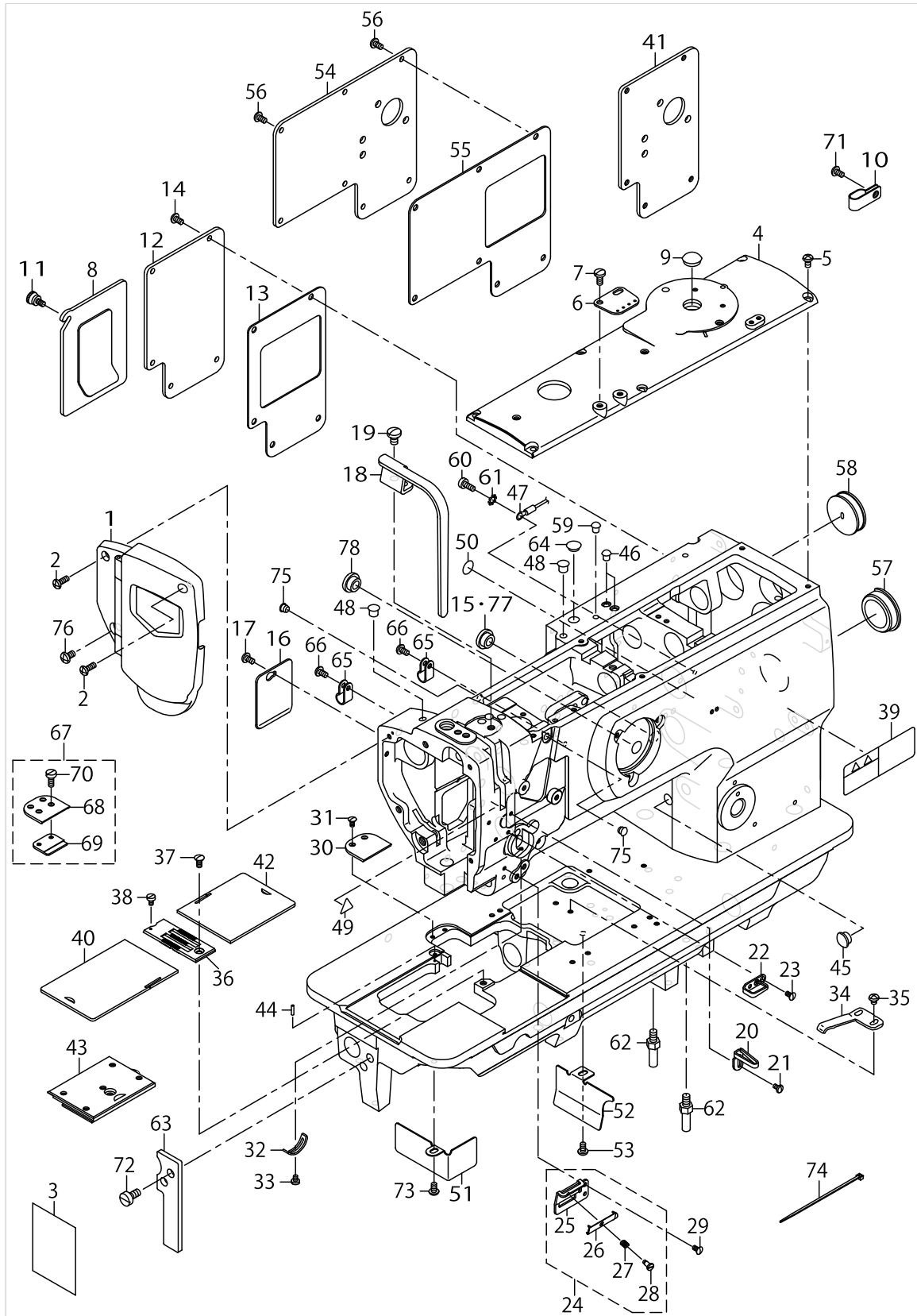
# FRAME & MISCELLANEOUS COVER COMPONENTS



FRAME & MISCELLANEOUS COVER COMPONENTS

No.	Parts No.	Parts name	Remarks	Level	Cons	Qty
1	40016798	FACE PLATE ASM.				1
2	SS4111215SP	SCREW 11/64-40 L=12				2
3	40152631	LUBRICATION SUPPLEMENT				1
4	21331301	TOP COVER B				1
5	SS4110815SP	SCREW 11/64-40 L=8				6
6	21355904	ARM THREAD GUIDE				1
7	SS7621040SP	SCREW 3/16-32 L=9.5				2
8	21331756	WINDOW PLATE A ASM.	FOR LU-1560N			1
9	TA1450404R0	RUBBER PLUG D=14.5 L=4	FOR LU-1560N			1
10	D2112555B00	CORD HOLDER LARGE	FOR LU-1560N-7			1
11	21331202	SETSCREW	FOR LU-1560N			1
12	21331806	WINDOW PLATE B	FOR LU-1560N			1
13	21332002	WINDOW PLATE PACKING B	FOR LU-1560N			1
14	SS4110815SP	SCREW 11/64-40 L=8	FOR LU-1560N			5
15	TA1250504R0	RUBBER PLUG				2
16	21332309	SIDE COVER	FOR LU-1560N			1
17	SS4110815SP	SCREW 11/64-40 L=8	FOR LU-1560N			1
18	21331608	BALANCE COVER				1
19	SS7150910TP	SCREW 15/64-28 L=9				1
20	40108674	THREAD GUIDE				1
21	SS5090610SP	SCREW 9/64-40 L=6				1
22	40108675	FRAME THREAD GUIDE				1
23	SS2090710TP	SCREW 9/64-40 L=7.2				1
24	21408554	THREAD GUIDE ASM.				1
25	21408505	THREAD GUIDE PLATE		*		1
26	17912106	NEEDLE THREAD PRESSER PLATE		*		1
27	B1132521000	THREAD PRESSER PLATE SPRING		*		1
28	SD0380551SL	HINGE SCREW D=3.80 H=5.5		*		1
29	SS2090710TP	SCREW 9/64-40 L=7.2				1
30	22651202	AUXILIARY COVER	FOR LU-1560N-7			1
31	SS2090710TP	SCREW 9/64-40 L=7.2				2
32	B3138512000	TAKE-UP SPRING ADJUSTING PLATE				1
33	SS7090520TP	SCREW 9/64-40 L=4.5				1
34	B1111563000	BED SLIDE SPRING				1
35	SS4110515SP	SCREW 11/64-40 L=5				2
36	21366406	NEEDLE PLATE 3/8	EXCHANGING GAUGE PARTS			1
37	SS2110920TP	SCREW 11/64-40 L=8.5				1
38	SS6090630SP	SCREW 9/64-40 L=6				1
39	GM301300001	SAFETY LABEL				1
40	21365606	BED SLIDE(LEFT) A	SELECTIVE PARTS			1
41	21348909	WIDOW PLATE D	OPTIONAL PARTS			1
42	21365002	BED SLIDE(RIGHT) A	SELECTIVE PARTS			1
43	22650055	BED SLIDE ASM.				1
44	B1104051000	THROAT PLATE PIN				1
45	TA1050504R0	RUBBER PLUG				1
46	TA0550604R0	RUBBER PLUG				2
47	22951552	GROUND WIRE ASM.	FOR LU-1560N-7			1

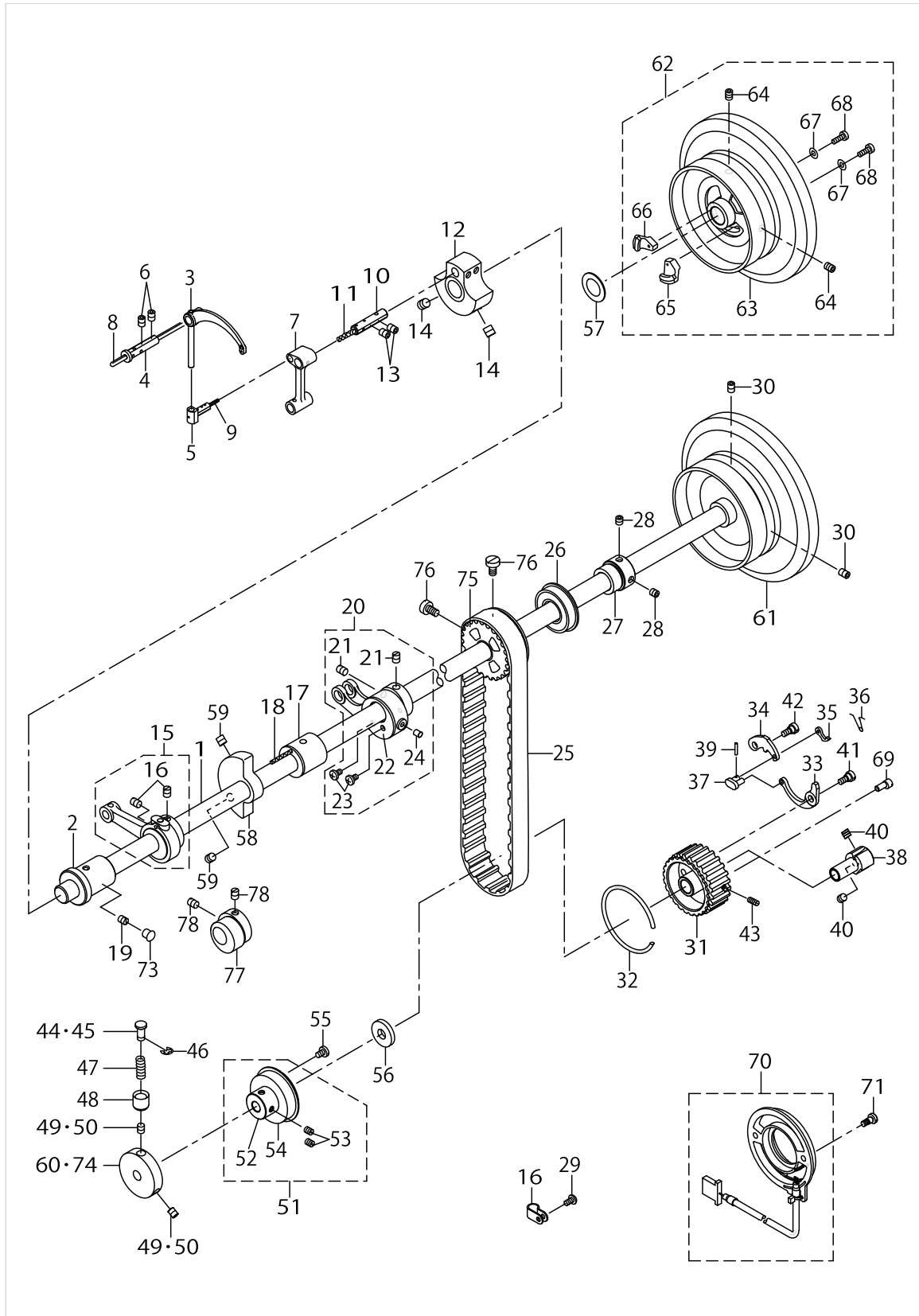
# FRAME & MISCELLANEOUS COVER COMPONENTS



FRAME & MISCELLANEOUS COVER COMPONENTS

No.	Parts No.	Parts name	Remarks	Level	Cons	Qty
48	TA0750704R0	RUBBER PLUG				2
49	CM300200001	ATTENTION SEAL				1
50	22901805	GROUND MARK				1
51	21332200	OIL SHIELD (LEFT)				1
52	22877609	DUST COVER	FOR LU-1560N			1
53	SS4110815SP	SCREW 11/64-40 L=8	FOR LU-1560N			1
54	40107950	WINDOW PLATE C	FOR LU-1560N-7			1
55	21332101	WINDOW PLATE PACKING C	FOR LU-1560N-7			1
56	SS4110815SP	SCREW 11/64-40 L=8	FOR LU-1560N-7			6
57	22619100	CAP				1
58	10201200	RUBBER PLUG				1
59	TA0550604R0	RUBBER PLUG	FOR LU-1560N-7			1
60	SS6111140SP	SCREW 11/64-40 L=11	FOR LU-1560N-7			1
61	WT0530002KS	TOOTHED WASHER D=5.3	FOR LU-1560N-7			1
62	22602601	BED SCREW STUD				2
63	21361407	BED SUPPORT PLATE				1
64	TA1250504R0	RUBBER PLUG				1
65	HX00123000A	CABLE CLIP	FOR LU-1560N-7			2
66	SS4110815SP	SCREW 11/64-40 L=8	FOR LU-1560N-7			2
67	23208556	AUXILIARY COVER ASM.	FOR LU-1560N			1
68	23208507	AUXILIARY COVER	FOR LU-1560N	*		1
69	23208606	SLIDING PLATE SUPPORT	FOR LU-1560N	*		1
70	SS6111140SP	SCREW 11/64-40 L=11	FOR LU-1560N	*		2
71	SS4110815SP	SCREW 11/64-40 L=8	FOR LU-1560N-7			1
72	SS6151210SP	SCREW 15/64-28 L=12				2
73	SS4110815SP	SCREW 11/64-40 L=8				1
74	EA9500B0100	CABLE BAND	FOR LU-1560N-7			1
75	TA0620504R0	CAP	FOR LU-1560N			2
76	SS4150915SP	SCREW 15/64-28 L=9				1
77	TA1250504R0	RUBBER PLUG	FOR LU-1560N-7			1
78	10622009	COAD BUSH	FOR LU-1560N-7			1

UPPER SHAFT, LOWER SHAFT DRIVING & BALANCE COMPONENTS

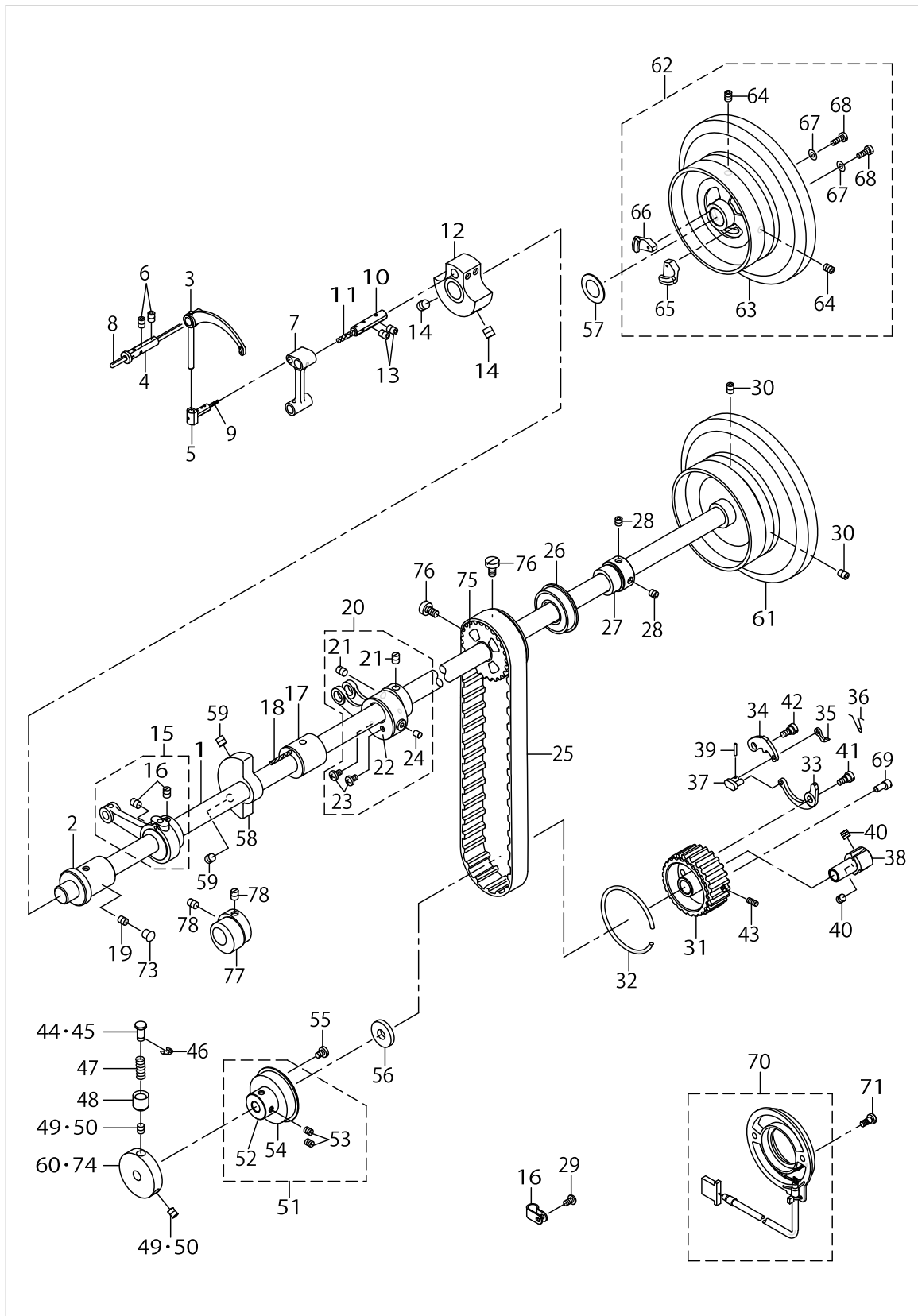


UPPER SHAFT,LOWER SHAFT DRIVING & BALANCE COMPONENTS

No.	Parts No.	Parts name	Remarks	Level	Cons	Qty
1	21332705	UPPER SHAFT				1
2	21333000	UPPER SHAFT FRONT METAL				1
3	B1905520000	THREAD TAKE-UP LEVER				1
4	B1906051000	TAKE-UP LEVER PIN				1
5	B1907057000	THRUST PIN				1
6	SS8150822TP	SCREW 15/64-28 L=8				2
7	21339106	NEEDLE BAR CRANK ROD				1
8	CQ303000000	OIL WICK				0.45
9	CQ202000000	OIL WICK				0.03
10	B1210051000	NEEDLE BAR CRANK PIN				1
11	CQ505000000	OIL WICK				0.03
12	21332507	COUNTER WEIGHT (A) (36MM)				1
13	SS8150822TP	SCREW 15/64-28 L=8				2
14	SM8080812TP	SCREW M8X8				2
15	40197297	UPPER_FEED_CAM_ASM	FOR LU-1560N (WITHOUT THREAD TRIMMER)			1
16	SS8660810TP	SCREW 1/4-40 L=8		*		2
17	21333109	UPPER SHAFT INNER METAL				1
18	CQ202000000	OIL WICK				0.15
19	SS8150710TP	SCREW 15/64-28 L=7				1
20	40197296	HORIZONTAL_FEED_ROD_ASM				1
21	SS8660810TP	SCREW 1/4-40 L=8		*		2
22	21353008	HORIZONTAL FEED CAM COVER		*		1
23	SS7110710SP	SCREW 11/64-40 L=7		*		2
24	21387402	FELT		*		1
25	22604300	TIMING BELT				1
26	40143083	BEARING				1
27	21402300	UPPER SHAFT BEARING HOOK				1
28	SM8060602TP	SCREW M6X6				2
29	SS4110815SP	SCREW 11/64-40 L=8	FOR LU-1560N-7			1
30	SS8150822TP	SCREW 15/64-28 L=8				2
31	21387501	LOWER SPROCKET				1
32	B1214019000	SPROCKET RING				1
33	21387709	SAFETY CLUTCH SPRING				1
34	21387600	SAFETY CLUTCH HOOK				1
35	B1308055000	SAFETY CLUTCH COUNTER-HOOK				1
36	40113224	COUNTER HOOK SPRING				1
37	B1310055000	SAFETY CLUTCH SMALL LINK				1
38	21387808	SAFETY BASE				1
39	B1314055000	SAFETY CLUTCH SMALL LINK PIN				1
40	SS8660612TP	SCREW 1/4-40 L=6				2
41	SD0640322TP	HINGE SCREW D=6.35 H=3.2				1
42	SD0640322TP	HINGE SCREW D=6.35 H=3.2				1
43	SS8111010TP	SCREW 11/64-40 L=9.5				1
44	B1312563000A	SAFETY CLUTCH PUSH BUTTON	FOR LU-1560N			1
45	40104367	SAFETY CLUTCH PUSH BUTTON	FOR LU-1560N-7			1
46	RE0500000K0	E-RING				1



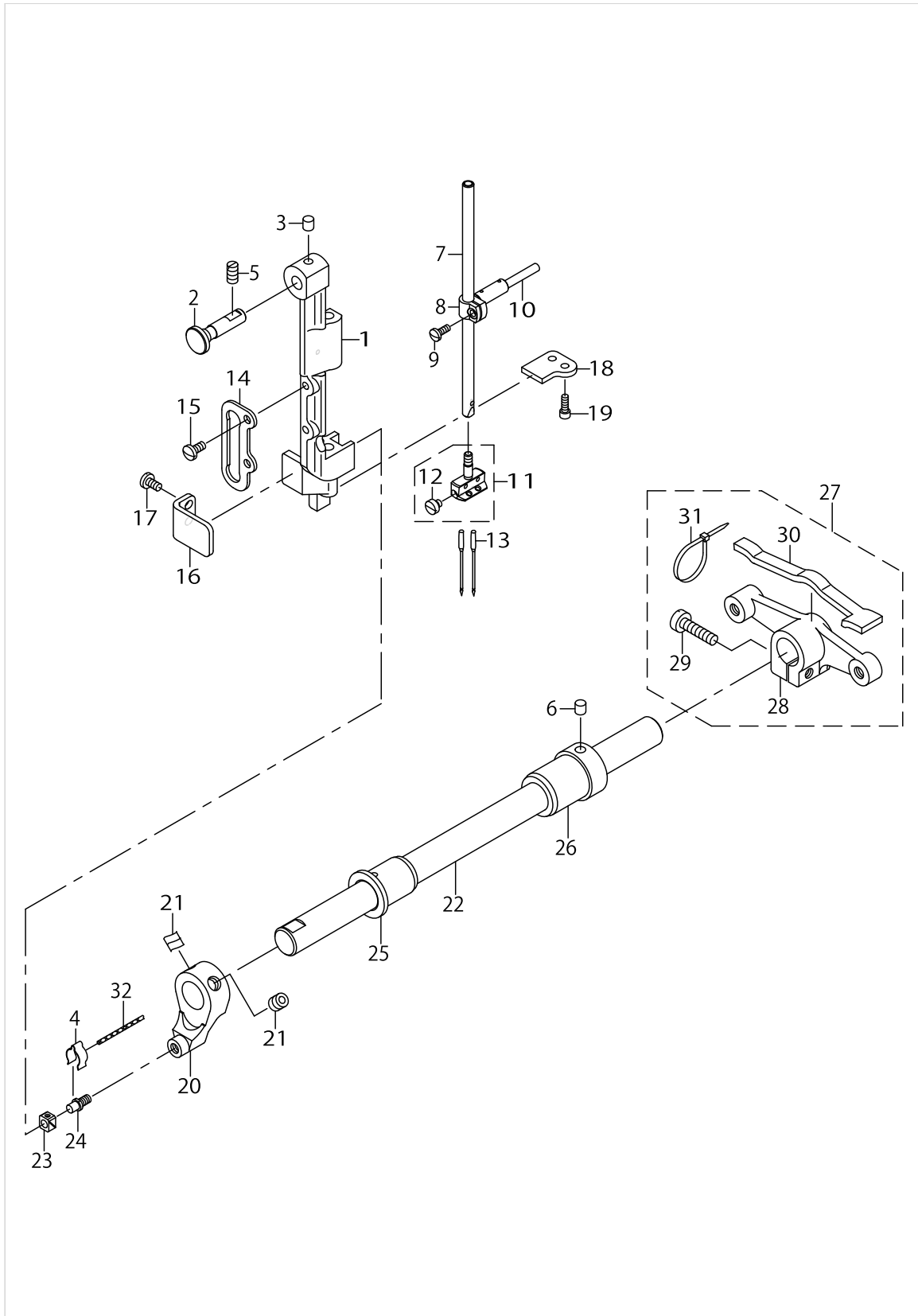
UPPER SHAFT, LOWER SHAFT DRIVING & BALANCE COMPONENTS



UPPER SHAFT,LOWER SHAFT DRIVING & BALANCE COMPONENTS

No.	Parts No.	Parts name	Remarks	Level	Cons	Qty
47	B1639051000	SPRING				1
48	B1313055000	SAFETY CLUTCH KNOB SLEEVE				1
49	SS8150710TP	SCREW 15/64-28 L=7	FOR LU-1560N			2
50	SS8660530TP	SCREW 1/4-40 L=4.5	FOR LU-1560N-7			2
51	40038700	THRUST COLLAR ASM.				1
52	40038702	THRUST COLLAR		*		1
53	SS8661030SP	SCREW 1/4-40 L=10		*		2
54	SB120000200	BEARING 20X42		*		1
55	SS7120760SP	SCREW 3/16-28 L=7.0				2
56	40016148	THRUST COLLAR B WASHER				1
57	22606206	SPACER Y				1
58	21333406	BALANCER	FOR LU-1560N			1
59	SS8151550SP	SCREW 15/64-28 L=15	FOR LU-1560N			2
60	21333901	SAFETY CLUTCH DISC	FOR LU-1560N-7			1
61	21334008	FLYWHEEL	FOR LU-1560N			1
62	21427059	FLYWHEEL ASM.				1
63	21427000	FLYWHEEL		*		1
64	SS8150822TP	SCREW 15/64-28 L=8		*		2
65	M40071100AA	MAGNET FITTING BASE A ASM.		*		1
66	M40071100AB	MAGNET FITTING BASE B ASM.		*		1
67	WP0450801SD	WASHER 4.5X10X0.8		*		2
68	SS6111210SP	SCREW 11/64-40 L=12		*		2
69	21387907	ADJUSTING PIN (1.2)				1
70	40024855	CONTAIN SYNCHRO ASM.	FOR LU-1560N-7			1
71	10604809	SCREW	FOR LU-1560N-7			2
72	HX00123000A	CABLE CLIP	FOR LU-1560N-7			1
73	TA0750704R0	RUBBER PLUG				1
74	21333703	SAFETY CLUTCH DISC	FOR LU-1560N			1
75	40038692	UPPER SPROCKET				1
76	SS6661110SP	SCREW 1/4-40 L=11				2
77	21339502	UPPER FEED CAM (3.5)	FOR LU-1560N-7 (WITH THREAD TRIMMER)			1
78	SS8660810TP	SCREW 1/4-40 L=8	FOR LU-1560N-7 (WITH THREAD TRIMMER)			2

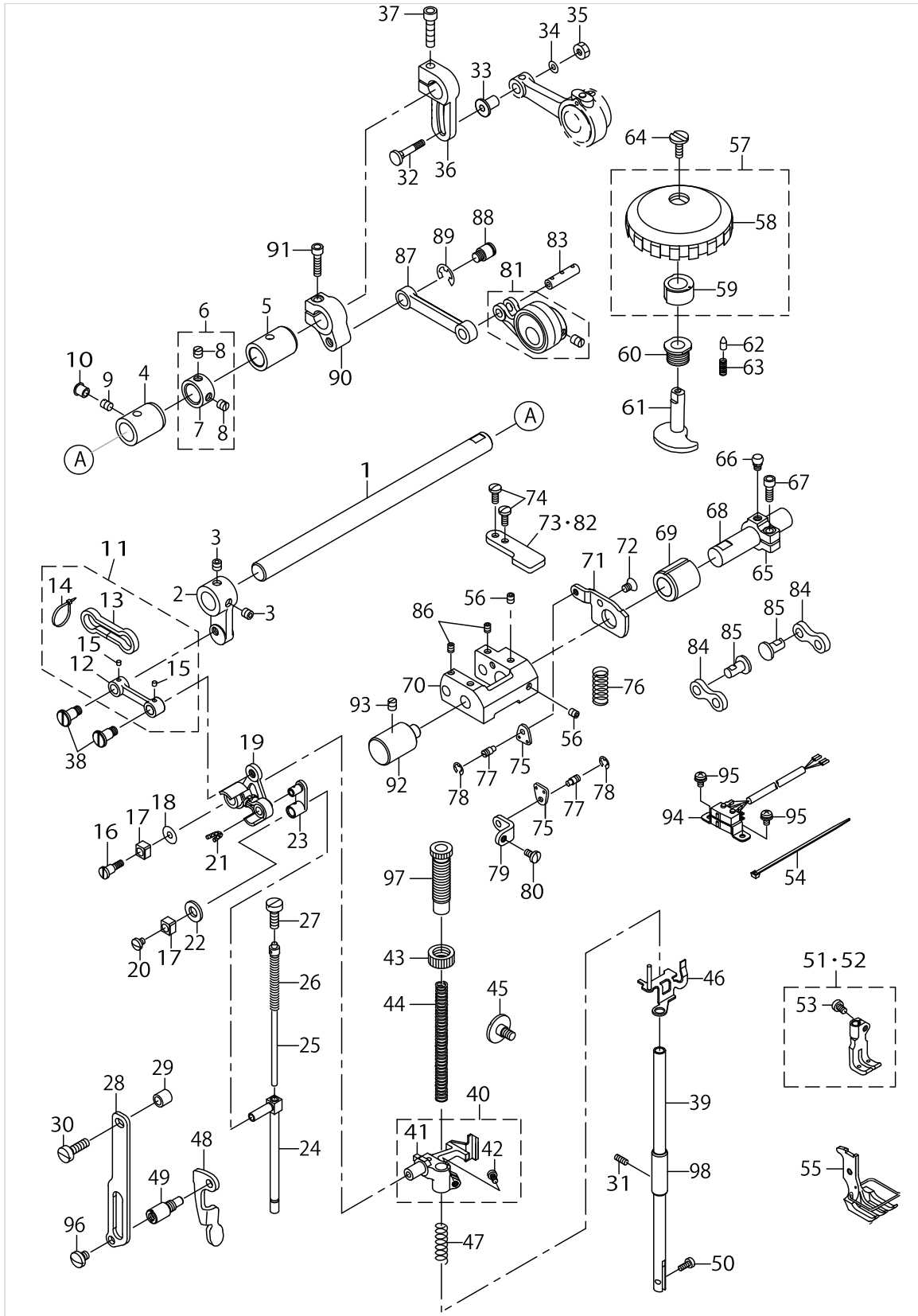
# NEEDLE BAR ROCKING COMPONENTS



NEEDLE BAR ROCKING COMPONENTS

No.	Parts No.	Parts name	Remarks	Level	Cons	Qty
1	21362504	NEEDLE BAR FRAME				1
2	21405204	HINGE STUD				1
3	22814909	FELT				1
4	B1437051000	OIL WICK RETAINER				1
5	SS8151150TP	SCREW 15/64-28 L=10.5				1
6	22814909	FELT				1
7	B1401518000	NEEDLE BAR				1
8	B1411521000	NEEDLE ROD HOLDER				1
9	SS7090910SP	SCREW 9/64-40 L=8.5				1
10	B1412051000	FELT				1
11	21368451	NEEDLE CLAMP 3/8 ASM.	EXCHANGING GAUGE PARTS			1
12	SS6090410TP	SCREW 9/64-40 L=3.5		*		2
13	M13517B1600	NEEDLE 135X17 #160				2
14	B1467563000	UPPER FEED BAR GUIDE				1
15	SS7110910TP	SCREW 11/64-40 L=8.5				2
16	21388400	ROCKING BASE GUIDE				1
17	SS7110830SP	SCREW 11/64-40 L=7.5				2
18	21338603	ROCKING BASE GUIDE (B)				1
19	SS6091022TP	SCREW				2
20	21338801	ROCKING FRONT ARM				1
21	SM8080802TP	SCREW				2
22	21338900	ROCKING SHAFT				1
23	B1414232000	SQUARE BLOCK				1
24	B1410771000	STUD				1
25	21339304	ROCKING SHAFT FRONT METAL				1
26	40027746	BUSHING REAR				1
27	21339056	ROCKING REAR ARM ASM.				1
28	21339007	ROCKING REAR ARM		*		1
29	SS6152440SP	SCREW 15/64-28 L=23.5		*		1
30	21347406	ROCKING REAR ARM FELT		*		1
31	EA9500B0100	CABLE BAND		*		2
32	CQ202000000	OIL WICK				0.05

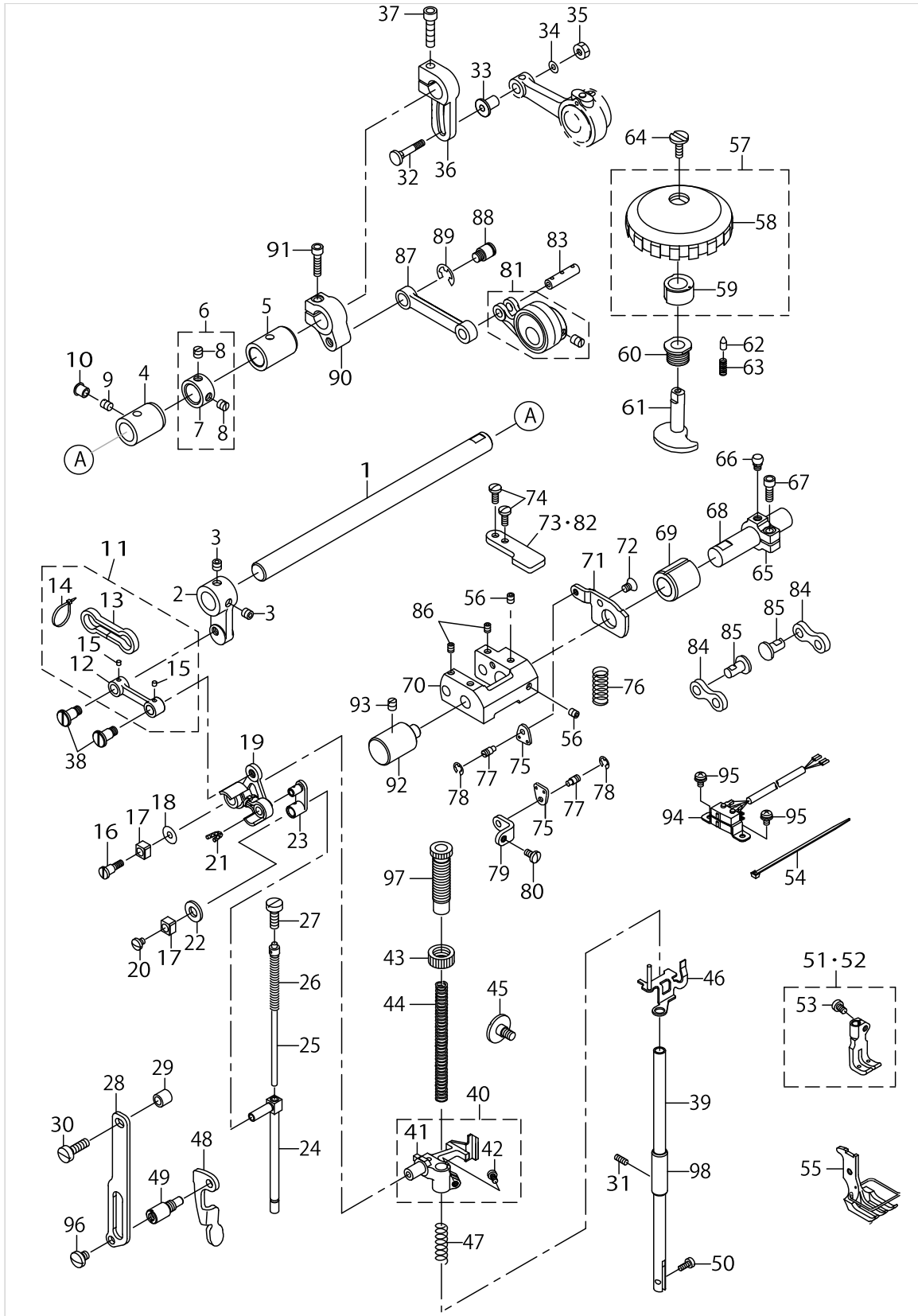
PRESSURE ADJUSTING & UPPER FEED MECHANISM COMPONENTS



PRESSURE ADJUSTING & UPPER FEED MECHANISM COMPONENTS

No.	Parts No.	Parts name	Remarks	Level	Cons	Qty
1	21340401	UPPER FEED SHAFT				1
2	21340500	UPPER FEED FRONT ARM				1
3	SS8660612TP	SCREW 1/4-40 L=6				2
4	40039326	FRONT METAL				1
5	21378302	FEED SHAFT METAL				1
6	22904155	MAIN SHAFT THRUST COLLAR ASM.				1
7	22904106	MAIN SHAFT THRUST COLLAR		*		1
8	SS8660610TP	SCREW 1/4-40 L=6		*		2
9	SS8150710SP	SCREW 15/64-28 L=7				1
10	TA0750704R0	RUBBER PLUG				1
11	40033027	UPPER FEED LINK ASM.				1
12	40033026	UPPER FEED LINK		*		1
13	21347109	FELT		*		1
14	EA9500B0000	CLIP CV-70S		*		2
15	CQ3000000F0	OIL FELT		*		0.0028
16	40018339	SCREW				1
17	B1414555000	SLIDE BLOCK				2
18	WP0501046SC	WASHER 5X13X1				1
19	40033029	TRIANGULAR LEVER ASM.				1
20	SS7110510SP	SCREW 11/64-40 L=5				1
21	CQ252000000	OIL WICK				0.02
22	10509701	FELT				1
23	40018341	WALKING BAR DRIVING LINK				1
24	40033030	WALKING BAR A				1
25	B14670530A0	WALKING BAR ASM.				1
26	B1468053000	WALKING BAR SPRING				1
27	SS6151780SP	SCREW 15/64-28 L=17.0				1
28	21406509	UPPER FEED GUIDE PLATE				1
29	26225201	ROLLER				1
30	SS6151920SP	SCREW 15/64-28 L=19.0				1
31	SS8111010TP	SCREW 11/64-40 L=9.5				1
32	D1456055B00	HINGE SCREW	FOR LU-1560N			1
33	D1455055B00	CONNECTING STUD	FOR LU-1560N			1
34	WP0482086SD	WASHER 4.8X11.5X2	FOR LU-1560N			1
35	NS6110530SP	NUT 11/64-40	FOR LU-1560N			1
36	21437900	UPPER FEED REAR ARM	FOR LU-1560N			1
37	SM6062502TP	SCREW M6 L=25	FOR LU-1560N			1
38	40018340	SCREW				2
39	B1501241H00	PRESSER BAR				1
40	40033032	PRESSER BAR HOLDER A ASM.				1
41	40033031	PRESSER BAR HOLDER A		*		1
42	SS7110910TP	SCREW 11/64-40 L=8.5		*		1
43	22907604	PRESSER SPRING REGULATOR NUT				1
44	B1502246000	PRESSER SPRING				1
45	SD0800481SP	HINGE SCREW D=8 H=4.9				1
46	21341151	HOLDING PLATE COMPL.				1
47	B1462053000	THREAD RELEASE SPRING				1

PRESSURE ADJUSTING & UPPER FEED MECHANISM COMPONENTS

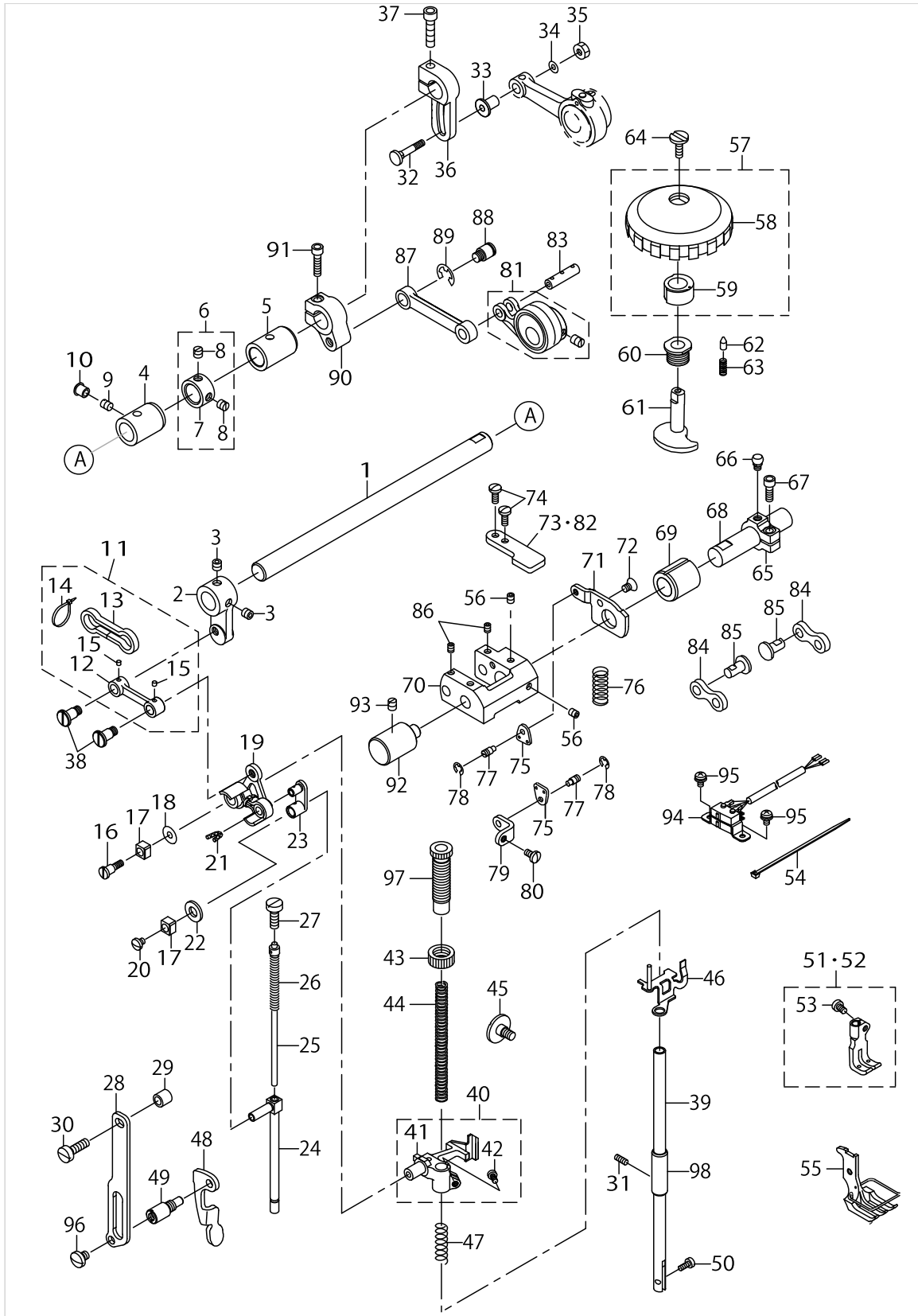


PRESSURE ADJUSTING & UPPER FEED MECHANISM COMPONENTS

No.	Parts No.	Parts name	Remarks	Level	Cons	Qty
48	21406103	PRESSER LIFTER LEVER				1
49	21406608	GUIDE PLATE SPACER				1
50	SS6090910TP	SCREW 9/64-40 L=9				1
51	21372651	WALKING FOOT 1-1/4 ASM.	EXCHANGING GAUGE PARTS			1
52	21367453	WALKING FOOT ASM.	EXCHANGING GAUGE PARTS (FOR LU-1560N-7)			1
53	SS6110710TP	SCREW 11/64-40 L= 6.5		*		1
54	EA9500B0100	CABLE BAND	FOR LU-1560N-7			1
55	21367958	PRESSER FOOT ASM. 3/8	EXCHANGING GAUGE PARTS			1
56	SM8050602TP	SCREW M5 L=6	FOR LU-1560N-7			2
57	10774354	UPPER AND LOWER DIAL ASM.	FOR LU-1560N-7			1
58	10774305	VERTICAL DIAL		*		1
59	10774404	VERTICAL CAM		*		1
60	10715100	VERTICAL DIAL SHAFT BUSHING	FOR LU-1560N-7			1
61	40108542	VERTICAL ADJUSTING CAM	FOR LU-1560N-7			1
62	10715704	VERTICAL DIAL PIN	FOR LU-1560N-7			1
63	B152652700G	SPRING	FOR LU-1560N-7			1
64	SS6110630TP	SCREW 11/64-40 L=6	FOR LU-1560N-7			1
65	21341607	VERTICAL ADJUSTING ARM	FOR LU-1560N-7			1
66	10715308	PIN	FOR LU-1560N-7			1
67	SM6051402TP	SCREW M5X0.8 L=14	FOR LU-1560N-7			1
68	21341508	VERTICAL CHANGE BASE SHAFT	FOR LU-1560N-7			1
69	10718203	FEED SHAFT FRONT METAL	FOR LU-1560N-7			1
70	10714202	VERTICAL CHANGE BELT	FOR LU-1560N-7			1
71	21339601	UPPER FEED STOPPER PLATE (A)	FOR LU-1560N-7			1
72	SM1050801SR	SCREW M5 L=8	FOR LU-1560N-7			1
73	21339700	UPPER FEED STOPPER PLATE (B)				1
74	SS7111120TP	SCREW				2
75	10713501	SPRING HOOK	FOR LU-1560N-7			2
76	10716504	VERTICAL SHAFT SPRING	FOR LU-1560N-7			1
77	B3416552000	CONNECTING ROD HINGE SCREW	FOR LU-1560N-7			2
78	RE0500000K0	E-RING	FOR LU-1560N-7			2
79	21339809	UPPER FEED DOG SPRING HOOK	FOR LU-1560N-7			1
80	SS7110830SP	SCREW 11/64-40 L=7.5	FOR LU-1560N-7			1
81	40075553	ECCENTRIC ROD(SET)	FOR LU-1560N-7			1
82	21438205	UPPER FEED STOPPER PLATE	FOR LU-1560N-7			1
83	10713808	CONNECTION LINK PIN B	FOR LU-1560N-7			1
84	40107949	CONNECTION LINK B	FOR LU-1560N-7			2
85	10714608	CONNECTION LINK B SUPPORT PIN	FOR LU-1560N-7			2
86	SM8050602TP	SCREW M5 L=6	FOR LU-1560N-7			2
87	21340005	UPPER FEED LINK (B)	FOR LU-1560N-7			1
88	21048707	HINGE SCREW	FOR LU-1560N-7			1
89	RE0800000K0	E-SHAPED SNAP RING (8MM)	FOR LU-1560N-7			1
90	21340302	UPPER FEED REAR ARM (B)	FOR LU-1560N-7			1
91	SM6052002TP	SCREW M5 L=20	FOR LU-1560N-7			1
92	21337803	FEED ADJUSTING BASE SUPPORT	FOR LU-1560N-7			1
93	SS8150710SP	SCREW 15/64-28 L=7	FOR LU-1560N-7			1
94	40024852	VERTICAL DETECTOR SWITCH ASM.	FOR LU-1560N-7			1



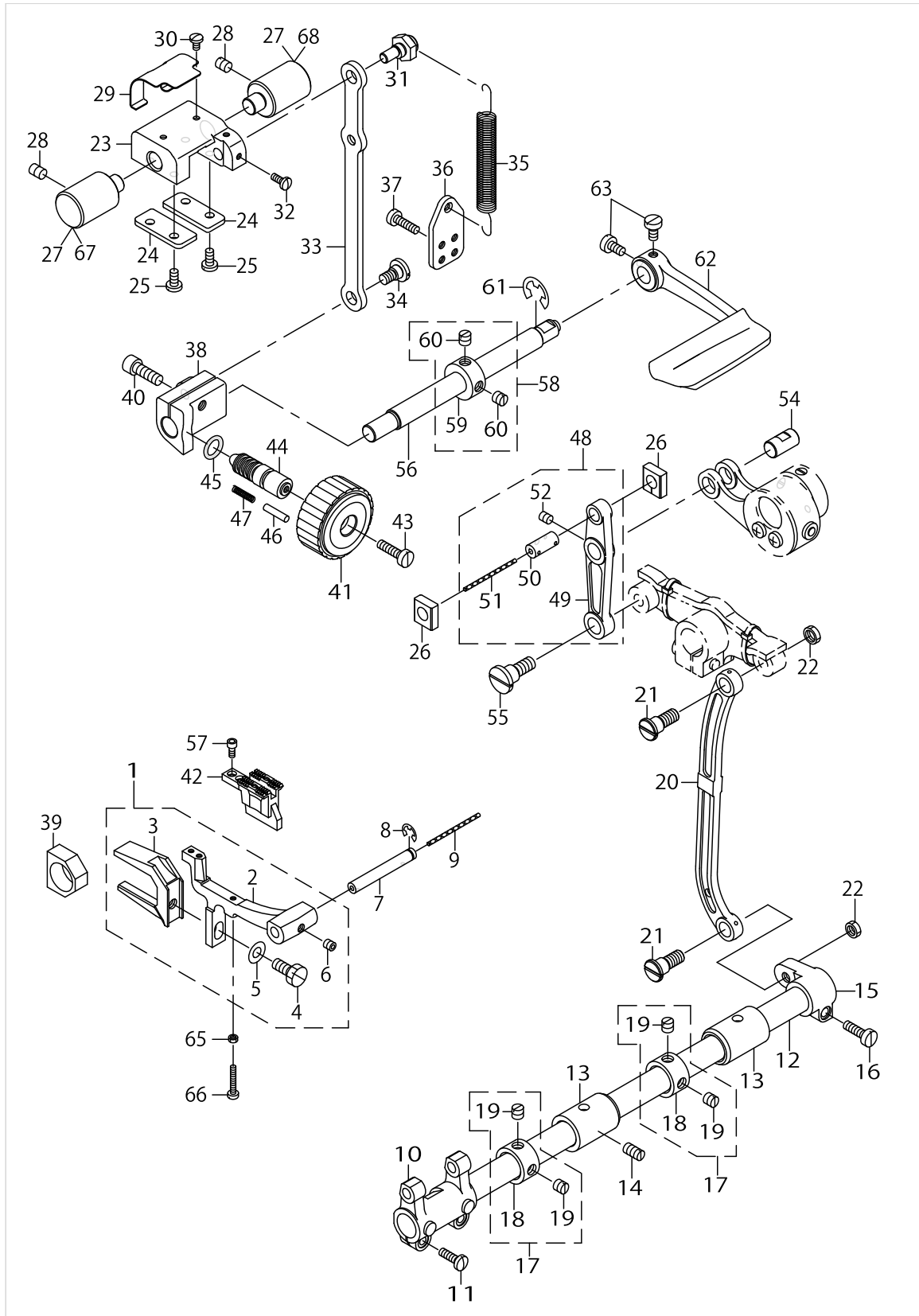
PRESSURE ADJUSTING & UPPER FEED MECHANISM COMPONENTS



PRESSURE ADJUSTING & UPPER FEED MECHANISM COMPONENTS

No.	Parts No.	Parts name	Remarks	Level	Cons	Qty
95	SL4040881SC	SCREW M4 L=8	FOR LU-1560N-7			2
96	SS7150740SP	SCREW 15/64-28 L=7				1
97	21340906	PRESSER ADJUSTING SCREW				1
98	B1510155000	PRESSER BAR LOWER BUSHING				1

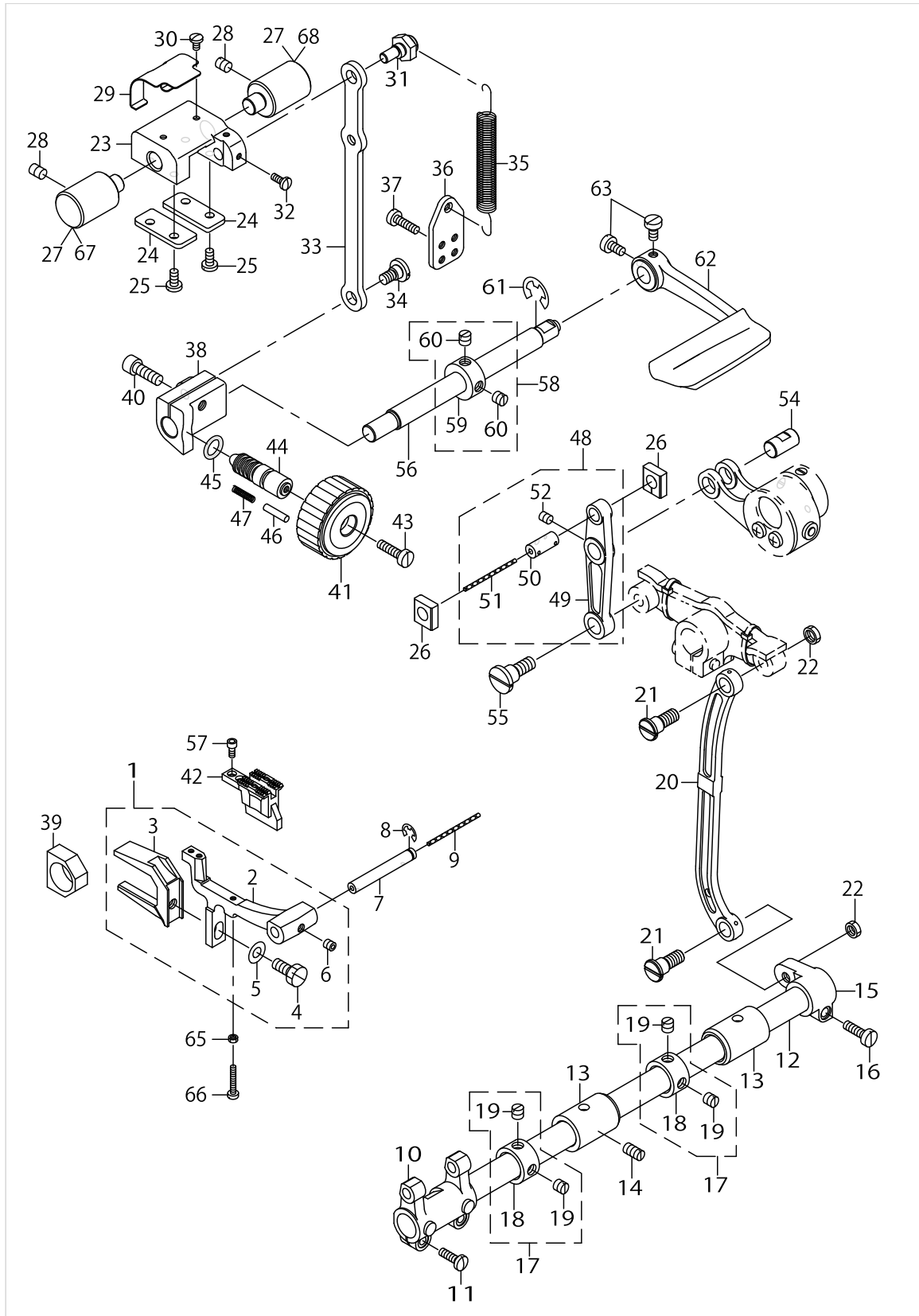
# FEED MECHANISM COMPONENTS



FEED MECHANISM COMPONENTS

No.	Parts No.	Parts name	Remarks	Level	Cons	Qty
1	21364252	FEED BASE ASM.				1
2	21364203	FEED BASE		*		1
3	10107902	FEED BAR FORK		*		1
4	SS9151440CP	SCREW 15/64-28 L=14		*		1
5	WP0621016SD	WASHER 6.2X13X1		*		1
6	SM8050502TP	SCREW M5 L=5		*		1
7	B1604012000A	FEED BAR SHAFT				1
8	RE0500711KP	SNAP RING 5				1
9	CQ202000000	OIL WICK				0.14
10	21364104	FEED ROCKER				1
11	SS7111410SP	SCREW 11/64-40 L=14				2
12	22609408	FEED ROCK SHAFT				1
13	21378302	FEED SHAFT METAL				2
14	SS8151150TP	SCREW 15/64-28 L=10.5				1
15	22609309	FEED ROCKER SHAFT CRANK				1
16	SS6121610TP	SCREW 3/16-28 L=15.5				1
17	22904155	MAIN SHAFT THRUST COLLAR ASM.				2
18	22904106	MAIN SHAFT THRUST COLLAR		*		1
19	SS8660610TP	SCREW 1/4-40 L=6		*		2
20	10205201	NEEDLE BAR FRAME ROD				1
21	SD0900701TP	HINGE SCREW D=9 H= 7				1
22	NS6680320SP	NUT 9/32-28				1
23	21337506	FEED ADJUSTING BASE				1
24	21337704	FEED ADJUSTING BASE COVER				2
25	SS7110910TP	SCREW 11/64-40 L=8.5				4
26	21337407	SQUARE BLOCK				2
27	21337803	FEED ADJUSTING BASE SUPPORT	FOR LU-1560N			2
28	SS8150822TP	SCREW 15/64-28 L=8				2
29	21338306	FELT SUPPORT				1
30	SS7090610SP	SCREW 9/64-40 L=6				2
31	21337902	ECCENTRIC PIN				1
32	SS7090910TP	SCREW 9/64-40 L=8.5				2
33	21337308	FEED ADJUSTING ROD				1
34	SD0800402TP	HINGE SCREW D=8 H= 4				1
35	21337605	SPRING				1
36	40019926	SPRING HOOK				1
37	SS6111610SP	SCREW 11/64-40 L=16				2
38	21337209	FEED ADJUSTING A				1
39	B1610512000	FEED DRIVING SLIDE BLOCK				1
40	SM6061802TP	SCREW M6 L=18				1
41	21336805	FEED DIAL A				1
42	21366901	FEED DOG 3/8	EXCHANGING GAUGE PARTS			1
43	SS6121860SP	SCREW 3/16-28 L=18				1
44	22911804	FEED REGULATOR SCREW				1
45	RO092270200	RUBBER RING				1
46	22912000	FEED REGULATOR PIN				1
47	22912109	FEED REGULATOR PIN SPRING				1

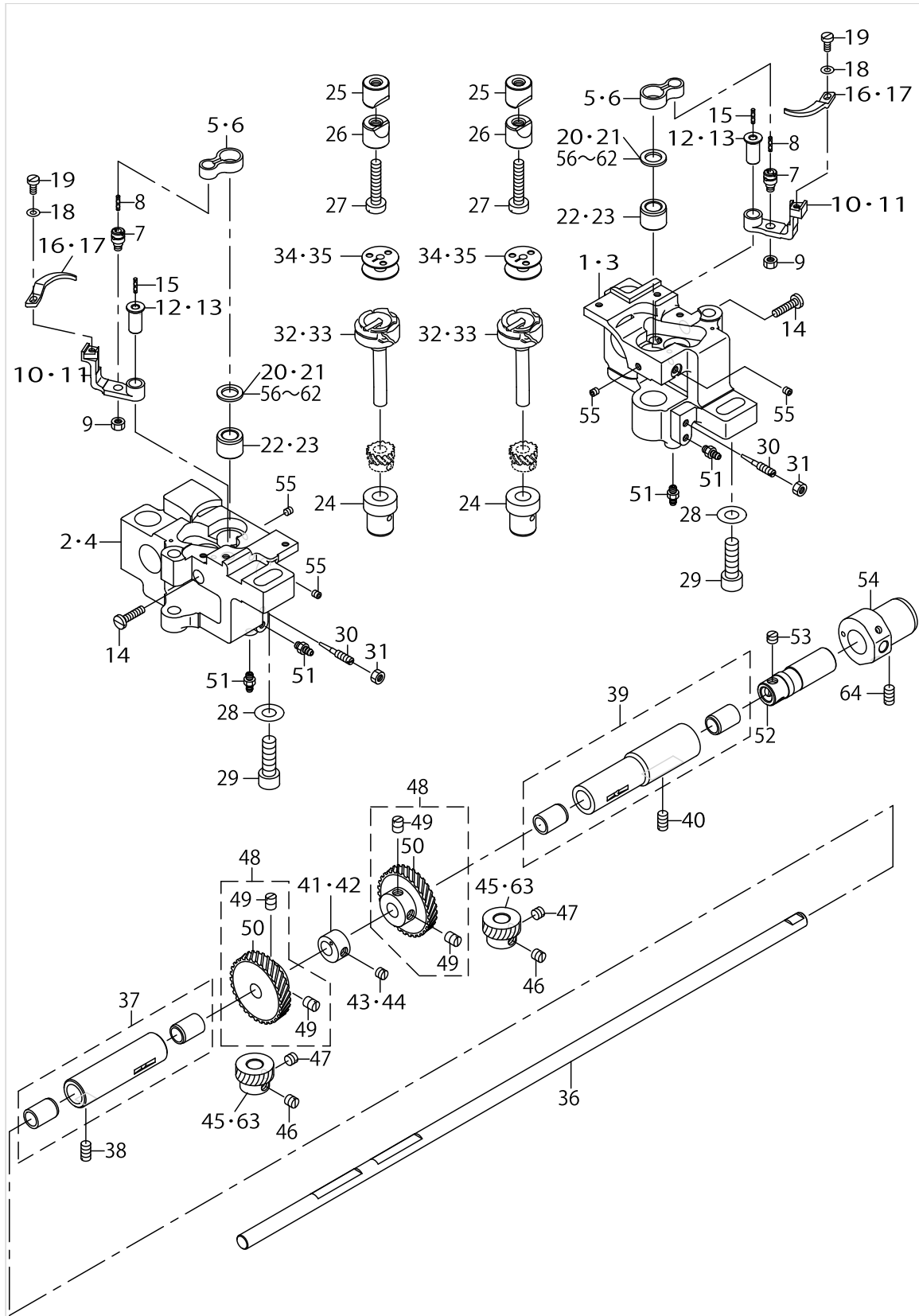
# FEED MECHANISM COMPONENTS



FEED MECHANISM COMPONENTS

No.	Parts No.	Parts name	Remarks	Level	Cons	Qty
48	21336656	FEED LINK ASM.				1
49	21336607	FEED LINK		*		1
50	40009103	CONNECTING FORKED LINK PIN		*		1
51	CQ202000000	OIL WICK		*		0.04
52	SM8050612TP	SCREW M5X6		*		1
53	21430400	FEED ADJUSTER SUPPORT	FOR LU-1560N-7			1
54	21378906	FEED LINK PIN				1
55	SD1000801SH	HINGE SCREW D=10 H=8				1
56	21336300	BACKWARD FEED LEVER SHAFT				1
57	SS6580752TP	SCREW 1/8-40 L=7				2
58	CS1201010SH	THRUST COLLAR ASM. D=12 W=10				1
59	CS1201011SH	THRUST COLLAR D=12 W=10		*		1
60	SS8660610TP	SCREW 1/4-40 L=6		*		2
61	RE0900000K0	E-RING 9				1
62	21388004	REVERSE FEED CONTROL LEVER				1
63	SS6120930TP	SCREW 3/16-28 L=9	FOR LU-1560N			2
64	21337803	FEED ADJUSTING BASE SUPPORT	FOR LU-1560N-7			1
65	NS6080210SP	NUT 1/8-44				1
66	SS6081810SP	SCREW 1/8-44 L=18.0				1

# HOOK SHAFT & LOWER SHAFT COMPONENTS

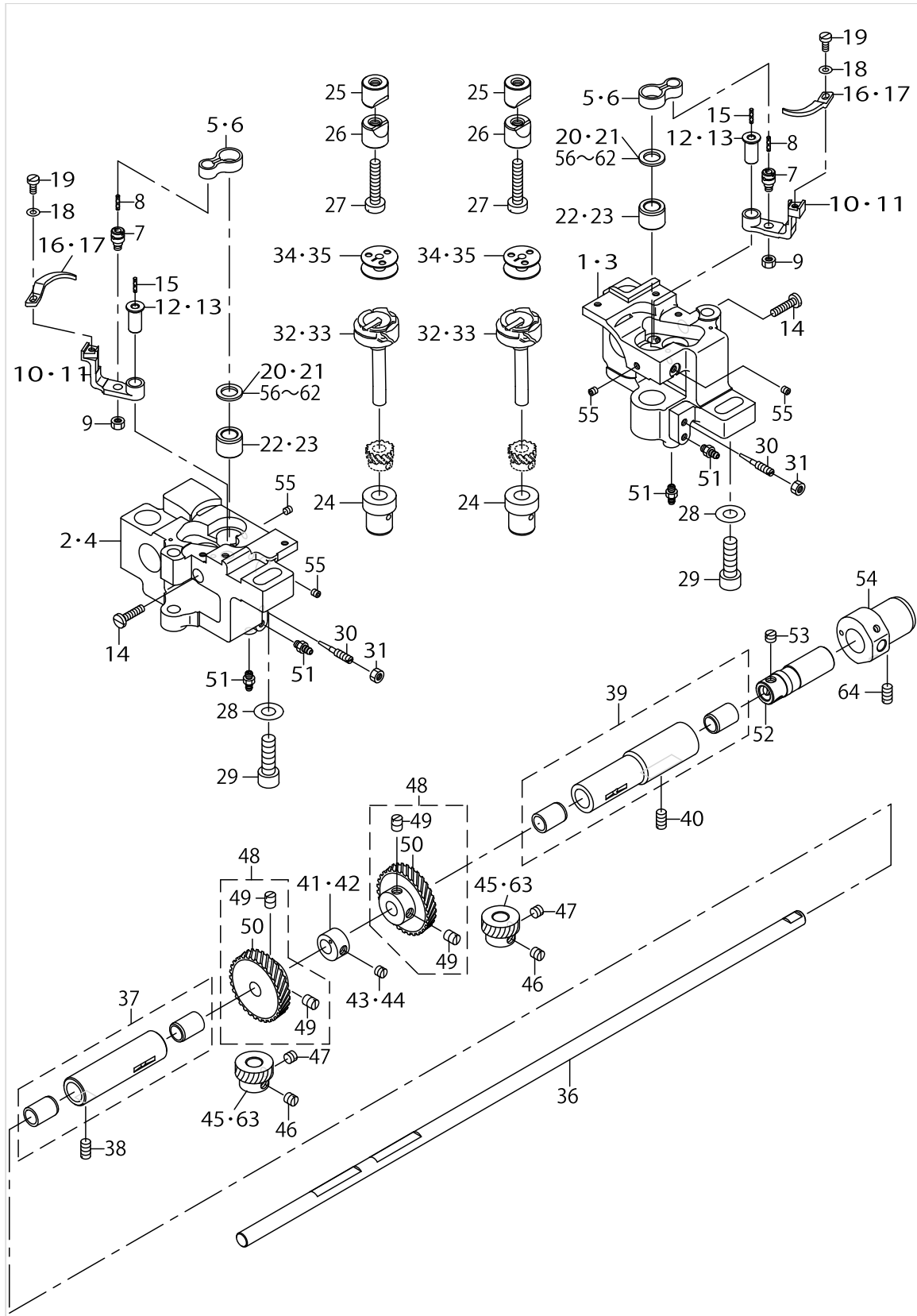


## HOOK SHAFT & LOWER SHAFT COMPONENTS

No.	Parts No.	Parts name	Remarks	Level	Cons	Qty
1	21390000	HOOK SHAFT BASE (RIGHT)	FOR LU-1560N-7			1
2	21390109	HOOK SHAFT BASE (LEFT)	FOR LU-1560N-7			1
3	21335104	HOOK SHAFT BASE (RIGHT)	FOR LU-1560N			1
4	21362108	HOOK SHAFT BASE (LEFT)	FOR LU-1560N			1
5	21334909	INNER HOOK GUIDE LINK	FOR LU-1560N-7			2
6	B1820563000	BOBBIN CASE OPENING LEVER LINK	FOR LU-1560N			2
7	B1821051000	CRANK SCREW STUD				2
8	CQ202000000	OIL WICK				0.02
9	NS6110420SP	NUT 11/64-40				2
10	21335500	GUIDE ARM (FOR THREAD CUTTING)	FOR LU-1560N-7			2
11	B1822563000	BOBBIN CASE OPENING LEVER CRANK	FOR LU-1560N			2
12	21335708	INNER HOOK GUIDE ARM SHAFT	FOR LU-1560N-7			2
13	B1823051000	OPENING LEVER CRANK PIN	FOR LU-1560N			2
14	SS7111810TP	SCREW 11/64-40 L=18				2
15	CQ202000000	OIL WICK				0.02
16	21335807	INNER HOOK GUIDE	FOR LU-1560N-7			2
17	B1824563000	BOBBIN CASE OPENING LEVER	FOR LU-1560N			2
18	WP0371016SD	WASHER 3.7X8X1				2
19	SS6090810SP	SCREW 9/64-40 L=7.5				2
20	10111102	THRUST WASHER 1.3				2
21	10112704	THRUST WASHER 1.8	SELECTIVE PARTS			2
22	21378401	HOOK SHAFT UPPER METAL	FOR LU-1560N-7			2
23	21378500	HOOK SHAFT UPPER METAL	FOR LU-1560N			2
24	21334701	HOOK SHAFT LOWER METAL				2
25	10109908	SADDLE INSTALLING BLOCK UPPER				2
26	10112407	SADDLE INSTALLING BLOCK LOWER				2
27	SS6153040SP	SCREW 15/64-28 L=30				2
28	WP0850002SP	WASHER 8.5X18X1.6				2
29	SM6082502TP	SCREW M8 L=25				2
30	B1834512000A	OIL ADJUSTING SCREW				2
31	NS6110420SP	NUT 11/64-40				2
32	21387055	THREAD TRIMMER HOOK ASM.	FOR LU-1560N-7			2
33	B18305630A0	VERTICAL-AXIS SEWING HOOK ASM.	FOR LU-1560N			2
34	21334800	ALUMINUM BOBBIN WITH KNURL	FOR LU-1560N-7			2
35	B9117563000	BOBBIN	FOR LU-1560N			2
36	21361704	LOWER SHAFT				1
37	B18025120A0A	BUSHING ASM. FRONT				1
38	SS8151150TP	SCREW 15/64-28 L=10.5				1
39	B18035150A0	BUSHING ASM. INTERMEDIATE				1
40	SS8151150TP	SCREW 15/64-28 L=10.5				1
41	21378104	FEED DRIVING ECCENTRIC	FOR LU-1560N-7			1
42	22609804	FEED DRIVING CAM	FOR LU-1560N			1
43	SS8150510TP	SCREW 15/64-28 L=4.7	FOR LU-1560N-7			1
44	SS8660530TP	SCREW 1/4-40 L=4.5	FOR LU-1560N			1
45	B1817051000	HOOK DRIVING SHAFT GEAR SMALL	SELECTIVE PARTS			2
46	SS8660670SP	SCREW 1/4-40 L=6.1				2
47	SS8660530TP	SCREW 1/4-40 L=4.5				2



# HOOK SHAFT & LOWER SHAFT COMPONENTS



## HOOK SHAFT & LOWER SHAFT COMPONENTS

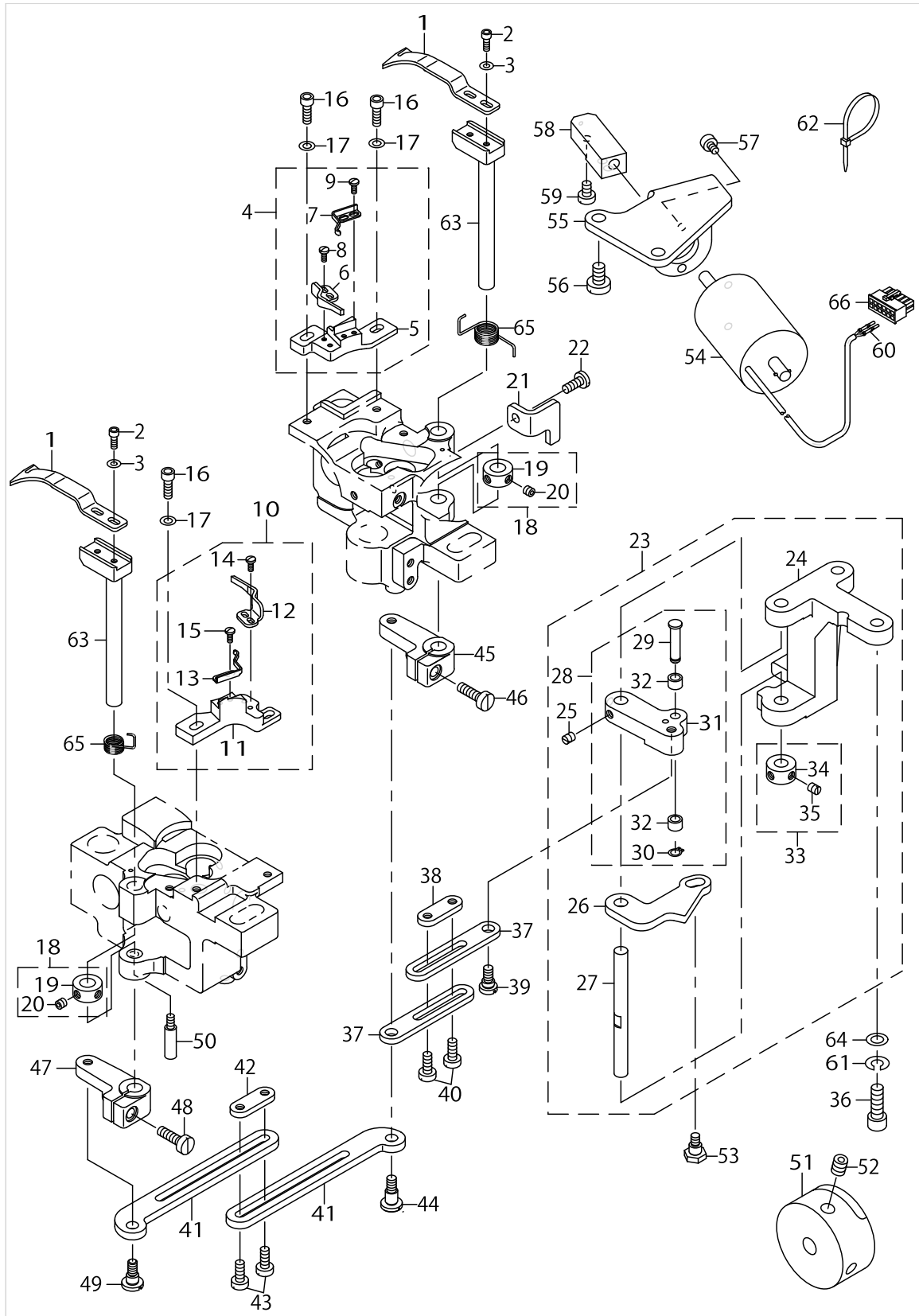
No.	Parts No.	Parts name	Remarks	Level	Cons	Qty
48	40162860	HOOK DRIVING SHAFT GEAR ASM				2
49	SS8660810TP	SCREW 1/4-40 L=8		*		2
50	B1816051000	HOOK DRIVING SHAFT GEAR LARGE		*		1
51	SQ1110401MZ	CONNECTING SCREW				4
52	22611909	OIL PUMP SHAFT				1
53	SS8660530TP	SCREW 1/4-40 L=4.5				3
54	22611701	PLUNGER BUSHING B				1
55	SS8110422TP	SCREW 11/64-40 L=4				4
56	10109700	THRUST WASHER A	SELECTIVE PARTS			2
57	10109809	THRUST WASHER B	SELECTIVE PARTS			2
58	10110906	BUSHING THRUST 1.1	SELECTIVE PARTS			2
59	10111003	THRUST WASHER 1.2	SELECTIVE PARTS			2
60	10111201	THRUST WASHER 1.4	SELECTIVE PARTS			2
61	10112506	THRUST WASHER 1.6	SELECTIVE PARTS			2
62	10112605	THRUST WASHER 1.7	SELECTIVE PARTS			2
63	40042611	HOOK DRIVING SHAFT GEAR	SELECTIVE PARTS			2
64	SS8151150SP	SCREW 15/64-28 L=10.5				1



THREAD CUTTING COMPONENTS (FOR LU-1560N-7)

No.	Parts No.	Parts name	Remarks	Level	Cons	Qty
1	21389200	MOVING KNIFE				2
2	SM6030802TP	SCREW M3X0.5 L=8				4
3	WP0320501SC	WASHER M3				4
4	21389556	FIXED KNIFE BASE (RIGHT) ASM.				1
5	21389507	FIXED KNIFE BASE (RIGHT)		*		1
6	21389309	FIXED KNIFE		*		1
7	21389408	CLAMP SPRING		*		1
8	SS7060610SP	SCREW 3/32-56 L=5.5		*		2
9	SS7060610SP	SCREW 3/32-56 L=5.5		*		2
10	21389655	FIXED KNIFE BASE (LEFT) ASM.				1
11	21389606	FIXED KNIFE BASE (LEFT)		*		1
12	21389309	FIXED KNIFE		*		1
13	21389408	CLAMP SPRING		*		1
14	SS7060610SP	SCREW 3/32-56 L=5.5		*		2
15	SS7060610SP	SCREW 3/32-56 L=5.5		*		2
16	SM6041202TP	SCREW M4X0.7 L=12				4
17	WP0430800SC	WASHER M4				4
18	40101351	THRUST COLLAR ASM.				2
19	22917009	THRUST COLLAR		*		1
20	SS8110422TP	SCREW 11/64-40 L=4		*		2
21	21354501	THREAD CUTTING STOPPER (RIGHT)				1
22	SS7111120SP	SCREW 11/64-40 L=10.5				1
23	21353750	VERTICAL FITTING BASIS ASM.				1
24	21353701	VERTICAL FITTING BASIS		*		1
25	SS8110510SP	SCREW 11/64-40 L=5		*		2
26	21354006	THREAD CUTTING DRIVING PLATE		*		1
27	10116804	SHAFT		*		1
28	40119279	THREAD CUTTING ROLLER ARM ASM.		*		1
29	40104369	CAM ROLLER SHAFT		*		1
30	D2430555B00	SNAP RING		*		1
31	40104368	THREAD CUTTING ROLLER ARM		*		1
32	D2427555B00B	CAM ROLLER		*		2
33	CS070081BSH	THRUST COLLAR ASM. D=7 W=8		*		1
34	CS0700811SH	THRUST COLLAR D=7 W=8		*		1
35	SS8110510SP	SCREW 11/64-40 L=5		*		2
36	SS6151812TP	SCREW 15/64-28 L=18				2
37	21354105	CONNECTING PLATE				2
38	21354204	STOPPING PLATE				1
39	SD0640325SP	HINGE SCREW				1
40	SS6111140SP	SCREW 11/64-40 L=11				2
41	21363601	CONNECTING PLATE				2
42	21354204	STOPPING PLATE				1
43	SS6111140SP	SCREW 11/64-40 L=11				2
44	SD0640751SP	HINGE SCREW D=6.35 H=7.5				1
45	21389705	ROCKING ARM (RIGHT)				1
46	SS6121610TP	SCREW 3/16-28 L=15.5				1
47	21389804	ROCKING ARM (LEFT)				1

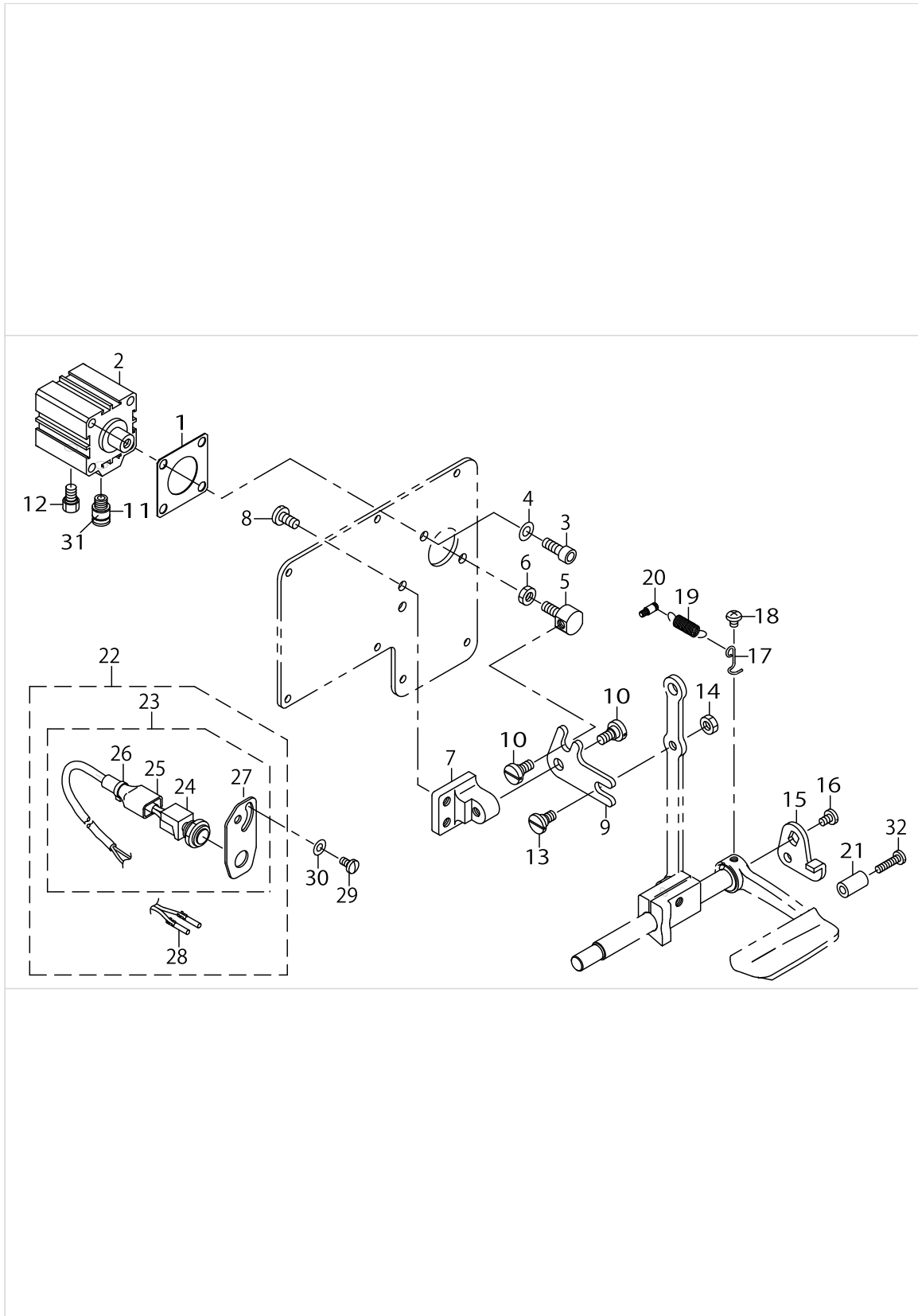
THREAD CUTTING COMPONENTS (FOR LU-1560N-7)



THREAD CUTTING COMPONENTS (FOR LU-1560N-7)

No.	Parts No.	Parts name	Remarks	Level	Cons	Qty
48	SS6121610TP	SCREW 3/16-28 L=15.5				1
49	SD0640451TP	HINGE SCREW D=6.35 H=4.5				1
50	B1515512000	HAND LIFTER SHAFT				1
51	21389911	THREAD TRIMMER CAM				1
52	SS8660612TP	SCREW 1/4-40 L=6				2
53	SD0640482SP	HINGE SCREW D=6.35 H=4.8				1
54	21355102	THREAD CUTTING SOLENOID				1
55	21354600	SOLENOID FITTING PLATE				1
56	SS6151040SP	SCREW 15/64-28 L=10				2
57	SM6040802TP	SCREW M4X0.7 L=8				2
58	21354709	SOLENOID CONNECTING PLATE				1
59	SS6110710TP	SCREW 11/64-40 L=6.5				2
60	HK03464000A	TERMINAL FEMALE				2
61	WS0610002KP	SPRING WASHER				2
62	EA9500B0100	CABLE BAND				1
63	21354907	MOVING KNIFE SHAFT				2
64	WP0651056SD	WASHER 6.5X11X1				2
65	21390208	MAINTENANCE SPRING				2
66	HK034610120	HOUSING 12P				1

AUTOMATIC BACK COMPONENTS (FOR LU-1560N-7)

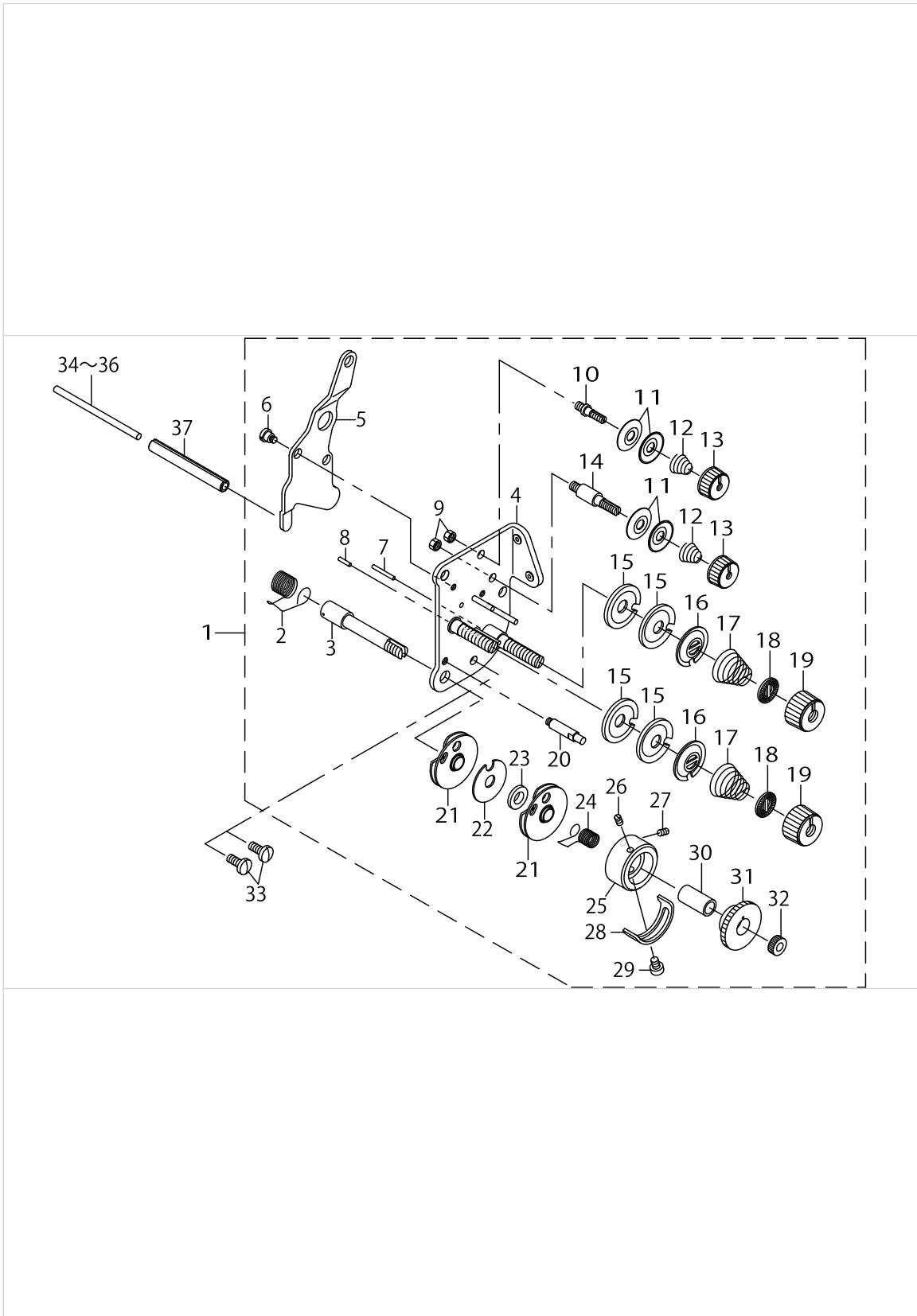


AUTOMATIC BACK COMPONENTS (FOR LU-1560N-7)

No.	Parts No.	Parts name	Remarks	Level	Cons	Qty
1	21349105	CYLINDER PACKING				1
2	PA320150200	JIG CYLINDER				1
3	SM6061602TP	SCREW M6 L=16				2
4	WP0641601SD	WASHER M6				2
5	21348602	CYLINDER CONNECTING SCREW				1
6	NM6060003SC	NUT M6				1
7	21348503	FITTING BASE				1
8	SS7151210SP	SCREW 15/64-28 L=12				2
9	21348701	BACKWARD FEED LINK				1
10	SD0800352SP	HINGE SCREW D=8 H=3.5				2
11	PJ301065104	HALF UNION				1
12	PX015101000	MUFFLER				1
13	SD0800402TP	HINGE SCREW D=8 H=4				1
14	NS6150430SP	NUT 15/64-28				1
15	22656102	REVERSE FEED LINK (1)				1
16	SS7120760SP	SCREW 3/16-28 L=7.0				1
17	22656003	SPRING SUSPENSION				1
18	SS4120615SP	SCREW 3/16-28 L=6				1
19	26226209	SPRING				1
20	40023289	SPRING SUSPENSION				1
21	22952501	BACK LEVER STOPPER				1
22	40056366	BT SWITCH C ASM.				1
23	40056365	BT SWITCH B ASM.		*		1
24	40056364	BT SWITCH A ASM.		*		1
25	GTS01037000	CONNECTOR COVER		*		1
26	EA9500B0100	CABLE BAND		*		1
27	21388608	CABLE BAND		*		1
28	HK03464000A	TERMINAL FEMALE		*		2
29	SS7110840SP	SCREW 11/64-40 L=7.8				2
30	WP0501016SD	WASHER 5X10.5X1				2
31	HX002950000	WIRE MARK(1)				1
32	SS7111810SP	SCREW 11/64-40 L=18				1



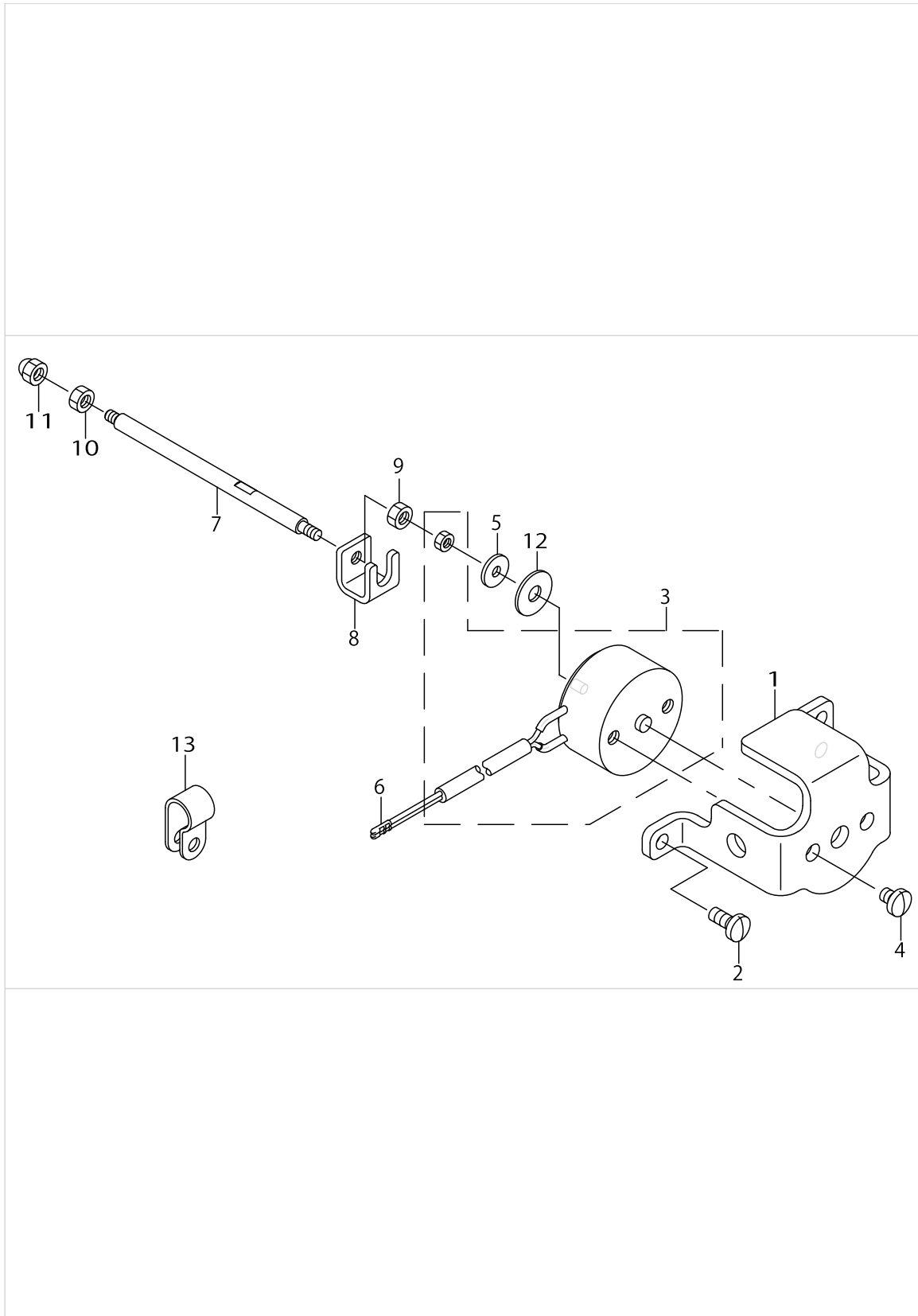
THREAD TENSION COMPONENTS



THREAD TENSION COMPONENTS

No.	Parts No.	Parts name	Remarks	Level	Cons	Qty
1	21390562	THREAD TENSION ASM.				1
2	B3128051000	THREAD TAKE-UP SPRING A		*		1
3	10124501	THREAD TAKE-UP SPRING STUD		*		1
4	21390554	THREAD TENSION BASE COMPL.		*		1
5	21441100	THREAD RELEASE PLATE		*		1
6	SD0470281SP	HINGE SCREW D=4.7 H=2.8		*		2
7	B3127527000	PIN B		*		1
8	B3127051000	TENSION RELEASE PIN SHORT		*		1
9	NS6110310SP	NUT 11/64-40		*		2
10	10124204	THREAD TENSION POST A		*		1
11	B3214047000	BOBBIN WINDER TENSION DISC		*		4
12	D3168555H0B	TENSION SPRING NO.1		*		2
13	11072402	THREAD TENSION NUT		*		2
14	10124303	THREAD TENSION POST B		*		1
15	40121822	THREAD TENSION DISK		*		4
16	B3132051000	TENSION DISC HOLDER		*		2
17	B3129053000	TENSION SPRING		*		2
18	B3120125000	ROTATING STOPPER		*		2
19	11072204	TENSION NUT		*		2
20	B3143527000	TAKE-UP SPRING GUIDE STUD		*		1
21	B31375270A0	TAKE-UP SPRING GUIDE ASM.		*		2
22	B3142527000	TAKE-UP SPRING GUIDE PLATE		*		1
23	B3139527000	COLLAR		*		1
24	B3128527000	THREAD TAKE-UP SPRING B		*		1
25	22617609	THREAD TENSION POST		*		1
26	22618904	SET SCREW		*		1
27	22618904	SET SCREW		*		1
28	B3138527000	ADJUSTING PLATE B		*		1
29	SS7090520SP	SCREW 9/64-40 L=4.5		*		1
30	B3141527000	PRESSER COLLAR		*		1
31	B3125527000	TAKE-UP SPRING GUIDE		*		1
32	B3125012000	THREAD TENSION NUT		*		1
33	SS7110910TP	SCREW 11/64-40 L=8.5				2
34	21348206	TENSION RELEASE BAR	SELECTIVE PARTS			1
35	10321107	TENSION RELEASE BAR	SELECTIVE PARTS			1
36	23006406	TENSION RELEASE BAR				1
37	PS0600502KP	SPRING PIN				1

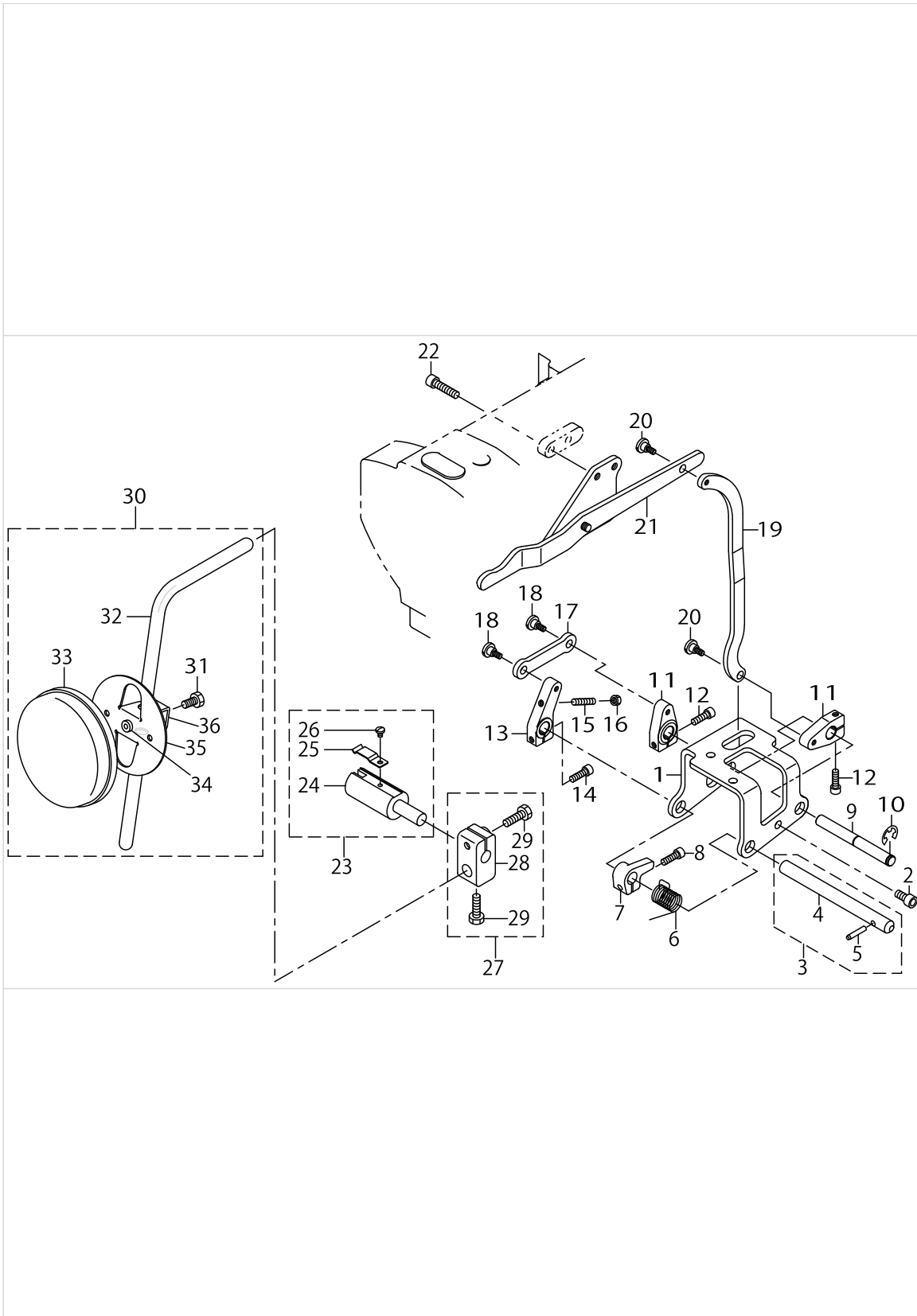
THREAD RELEASE COMPONENTS (FOR LU-1560N-7)



THREAD RELEASE COMPONENTS (FOR LU-1560N-7)

No.	Parts No.	Parts name	Remarks	Level	Cons	Qty
1	21441407	SOLENOID INSTALLING PLATE				1
2	SS7110910TP	SCREW 11/64-40 L=8.5				2
3	21363106	TENSION RELEASE SOLENOID				1
4	SS7110570SP	SCREW 11/64-40 L=4.8				2
5	40062388	WASHER				1
6	HK03464000B	PIN CONTACT				2
7	21441209	TENSION RELEASE BAR				1
8	21441308	COUPLING				1
9	NM6040001SN	NUT M4X0.7				1
10	NM6040001SN	NUT M4X0.7				1
11	NM7040062SB	NUT M4				1
12	WP0501046SC	WASHER 5X14X1				1
13	HX00123000A	CABLE CLIP				1

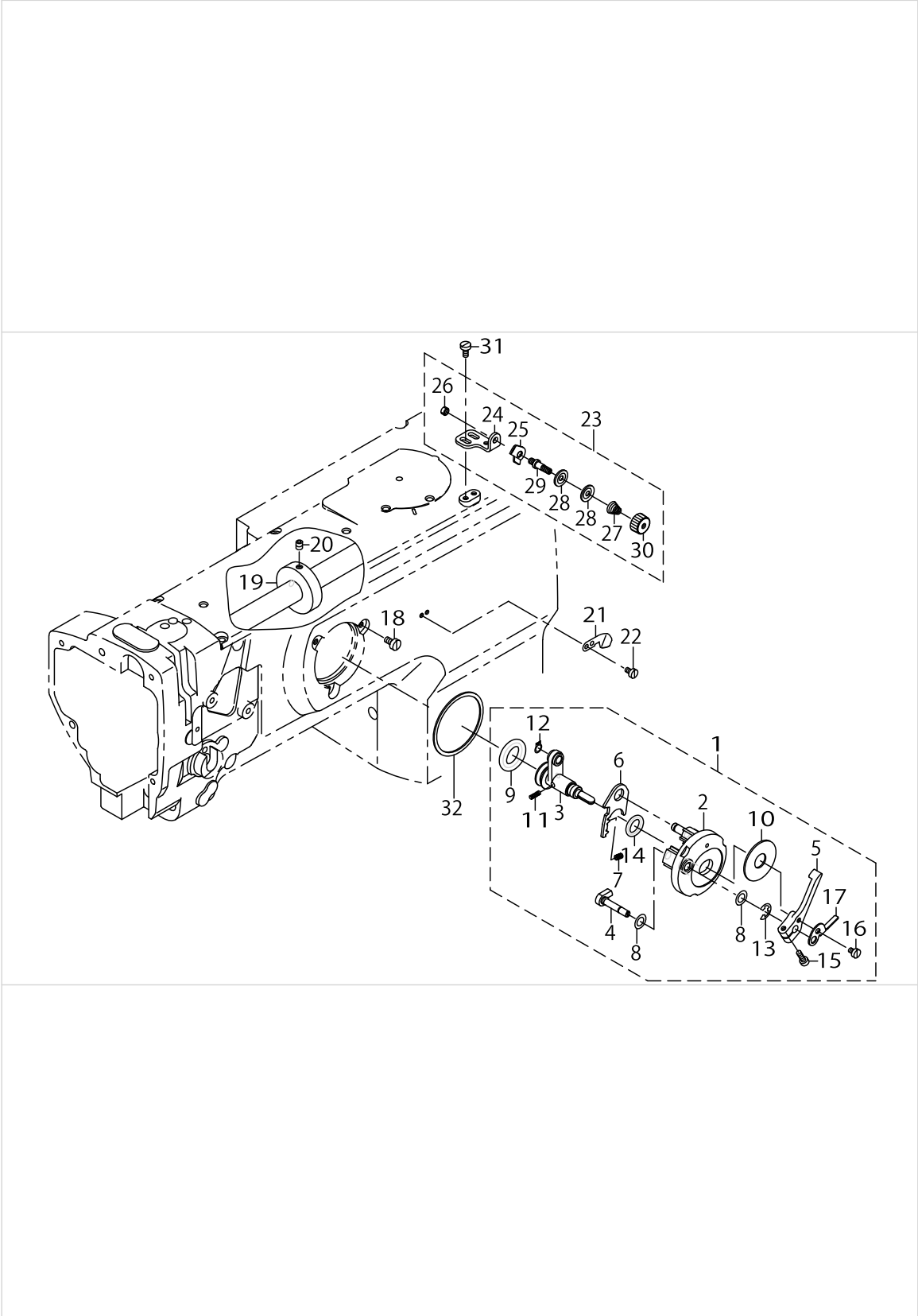
# KNEE LIFTING COMPONENTS



KNEE LIFTING COMPONENTS

No.	Parts No.	Parts name	Remarks	Level	Cons	Qty
1	21343207	KNEE LIFTER SHAFT BASIS				1
2	SM6061202TP	SCREW M6 L=12				3
3	21342555	KNEE LIFTER SHAFT A ASM.	FOR LU-1560N			1
4	21342506	KNEE LIFTER SHAFT A		*		1
5	21342605	KNEE LIFTER SHAFT PIN		*		1
6	21343702	KNEE LIFTER SHAFT A SPRING	FOR LU-1560N			1
7	21343801	KNEE LIFTER SPRING RACK	FOR LU-1560N			1
8	SM6051602TP	SCREW M5X0.8 L=16	FOR LU-1560N			1
9	21342704	KNEE LIFTER SHAFT B	FOR LU-1560N			1
10	RE0800000K0	E-SHAPED SNAP RING (8MM)	FOR LU-1560N			1
11	21343009	KNEE LIFTER LEVER B	FOR LU-1560N			2
12	SM6052002TP	SCREW M5 L=20	FOR LU-1560N			2
13	21342803	KNEE LIFTER LEVER A	FOR LU-1560N			1
14	SM6052002TP	SCREW M5 L=20	FOR LU-1560N			1
15	SM8052502TP	SCREW M5X0.8 L=25	FOR LU-1560N			1
16	NM6050001SD	NUT M5X0.8	FOR LU-1560N			1
17	21342902	KNEE LIFTER LINK	FOR LU-1560N			1
18	SD0700451TP	HINGE SCREW D=7 H=4.5	FOR LU-1560N			2
19	21343405	KNEE LIFTER CONNECTING PLATE	FOR LU-1560N			1
20	SD0700451TP	HINGE SCREW D=7 H=4.5	FOR LU-1560N			2
21	21343355	KNEE LIFTER LEVER	FOR LU-1560N			1
22	SM6062502TP	SCREW M6 L=25	FOR LU-1560N			2
23	22863252	KNEE LIFTER JOINT ASM.	FOR LU-1560N			1
24	22863203	KNEE LIFTER JOINT		*		1
25	B3428521000	PRESSER SPRING		*		1
26	SS7090510SP	SCREW 9/64-40 L=4.6		*		1
27	22932453	BRACKET ASM.	FOR LU-1560N			1
28	22932404	BRACKET		*		1
29	22934707	SCREW		*		2
30	21343157	KNEE PRESS PLATE ASM.	FOR LU-1560N			1
31	SM9061203SE	SCREW M6 L=12		*		1
32	21343108	KNEE PRESS LEVER		*		1
33	22934509	KNEE PAD PLATE COVER		*		1
34	22934400	KNEE PAD PLATE RUBBER		*		1
35	22934202	KNEE PAD PLATE		*		1
36	22934301	KNEE PAD PLATE SUPPORT		*		1

LOWER THREAD WINDER MECHANISM COMPONENTS

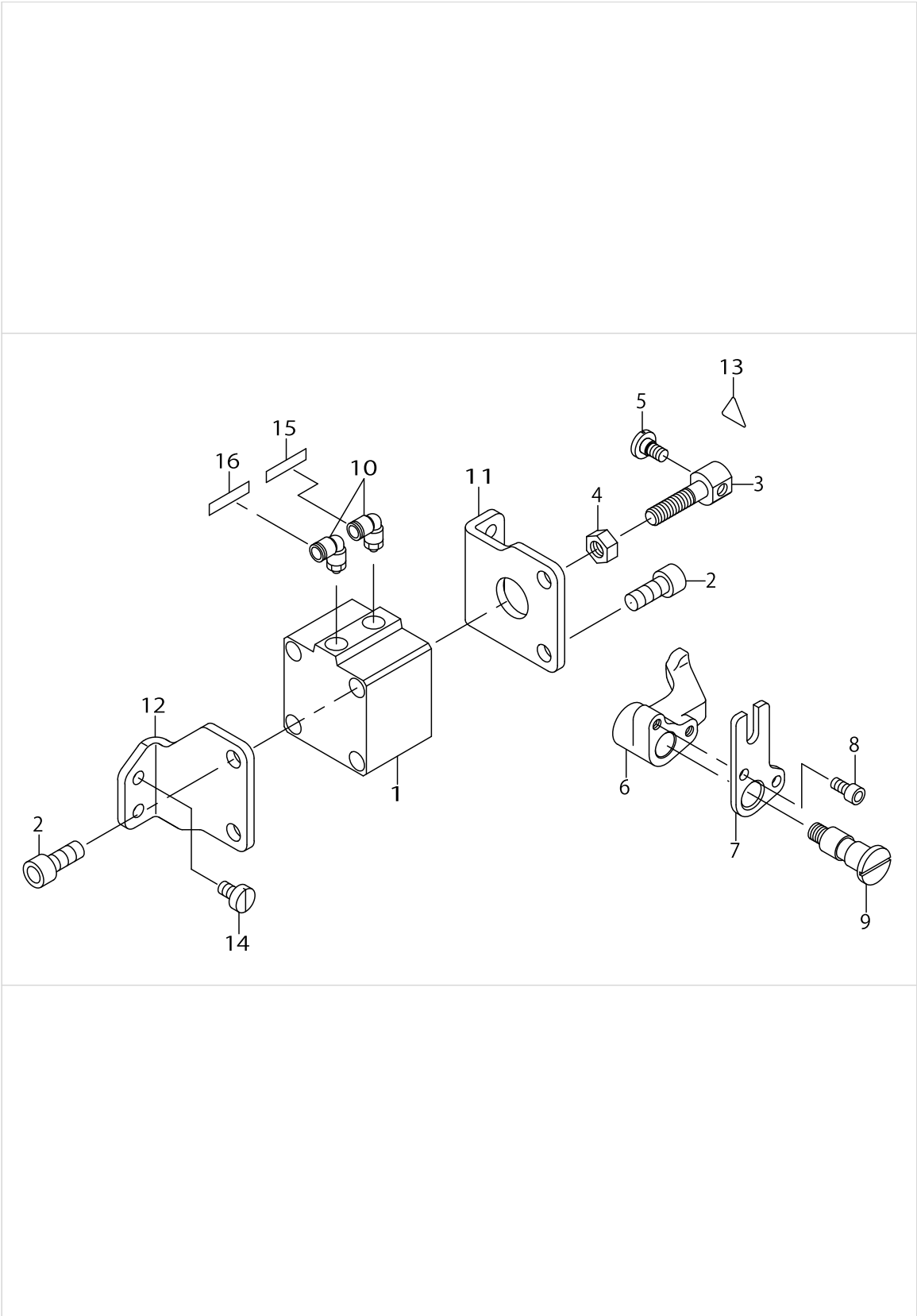


LOWER THREAD WINDER MECHANISM COMPONENTS

No.	Parts No.	Parts name	Remarks	Level	Cons	Qty
1	21357967	BOBBIN DEVICE ASM.				1
2	22537658	BOBBIN FITTING BASIS COMPL.		*		1
3	21357959	BOBIN SHAFT COMPL.		*		1
4	22538151	BOBBIN CAM SHAFT COMPL.		*		1
5	23636202	BOBBIN LEVER		*		1
6	21356001	ADJUSTING PLATE		*		1
7	B152989000CA	PRESSUR FOOT SPRING		*		1
8	10618304	VERTICAL ROLLER WASHER		*		2
9	21358205	RUBBER RING		*		1
10	B3205210000	CUSHION		*		1
11	B1148555000	SPRING		*		1
12	RC0560711KP	RETAINING RING		*		1
13	RE0500000K0	E-RING		*		1
14	RO092270200	RUBBER RING		*		1
15	SS7091410SP	SCREW 9/64-40 L=13.5		*		1
16	SS6090520SP	SCREW 9/64-40 L=5.0		*		1
17	14512503	BOBBIN ADJUSTING PLATE		*		1
18	SS6110810TP	SCREW 11/64-40 L=8				3
19	10704807	BOBBIN FRICTION WHEEL				1
20	SM8050602TP	SCREW M5 L=6				2
21	10502300	THREAD CUTTER				1
22	SS6090620SP	SCREW 9/64-40 L=6				2
23	21355755	LOWER THREAD GUIDE ASM.				1
24	21355706	FITTING BASE		*		1
25	D3162555B00	THREAD GUIDE		*		1
26	NS6110310SP	NUT 11/64-40		*		1
27	22945505	THREAD TENSION SPRING		*		1
28	40113092	THREAD TENSION DISK		*		2
29	21378708	THREAD TENSION POST		*		1
30	22945703	THREAD TENSION NUT		*		1
31	SM6040800SP	SCREW				2
32	22538706	PACKING				1



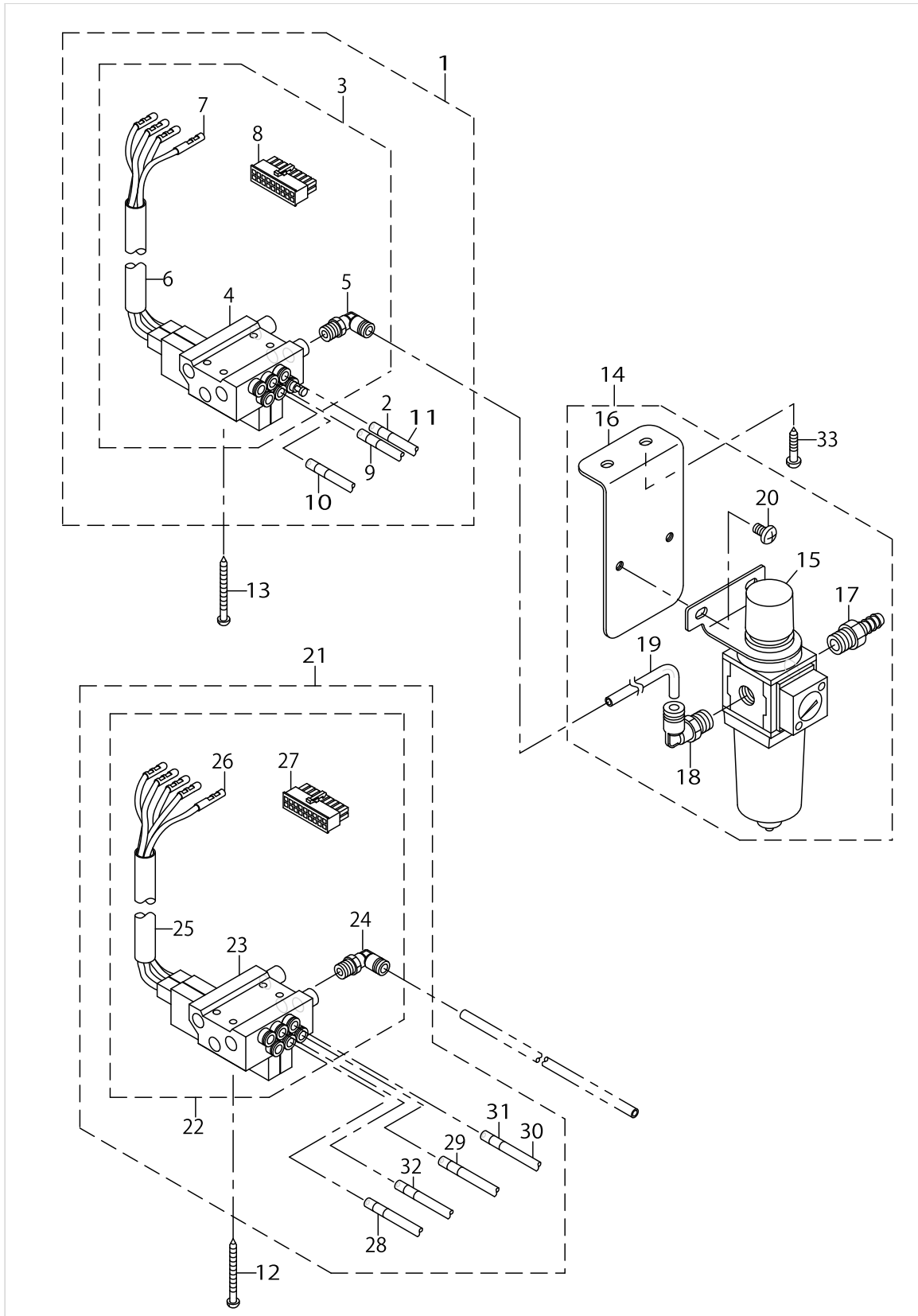
AUTOMATIC PRESSER LIFTING MECHANISM COMPONENTS (FOR LU-1560N-7)



AUTOMATIC PRESSER LIFTING MECHANISM COMPONENTS (FOR LU-1560N-7)

No.	Parts No.	Parts name	Remarks	Level	Cons	Qty
1	PA400150100	AIR CYLINDER				1
2	SM6082002TP	SCREW M8 L=20				4
3	21356506	CYLINDER CONNECTING SCREW				1
4	NM6080001SE	NUT M8				1
5	SD0720331SP	HINGE SCREW D=7.24 H= 3.3				1
6	21388509	PRESSER LIFTER LEVER A				1
7	21356803	PRESSER LIFTER LEVER B				1
8	SM6051002TP	SCREW M5X0.8 L=10				2
9	21356704	SHAFT				1
10	PJ304065101	ELBOW UNION 6XPT1/8				2
11	21356308	CYLINDER STAY(FRONT)				1
12	21356407	CYLINDER STAY(REAR)				1
13	CM300200001	ATTENTION SEAL				1
14	SS6151040SP	SCREW 15/64-28 L=10				4
15	HX00295000A	WIRE MARK(2)				1
16	HX00295000B	WIRE MARK(3)				1

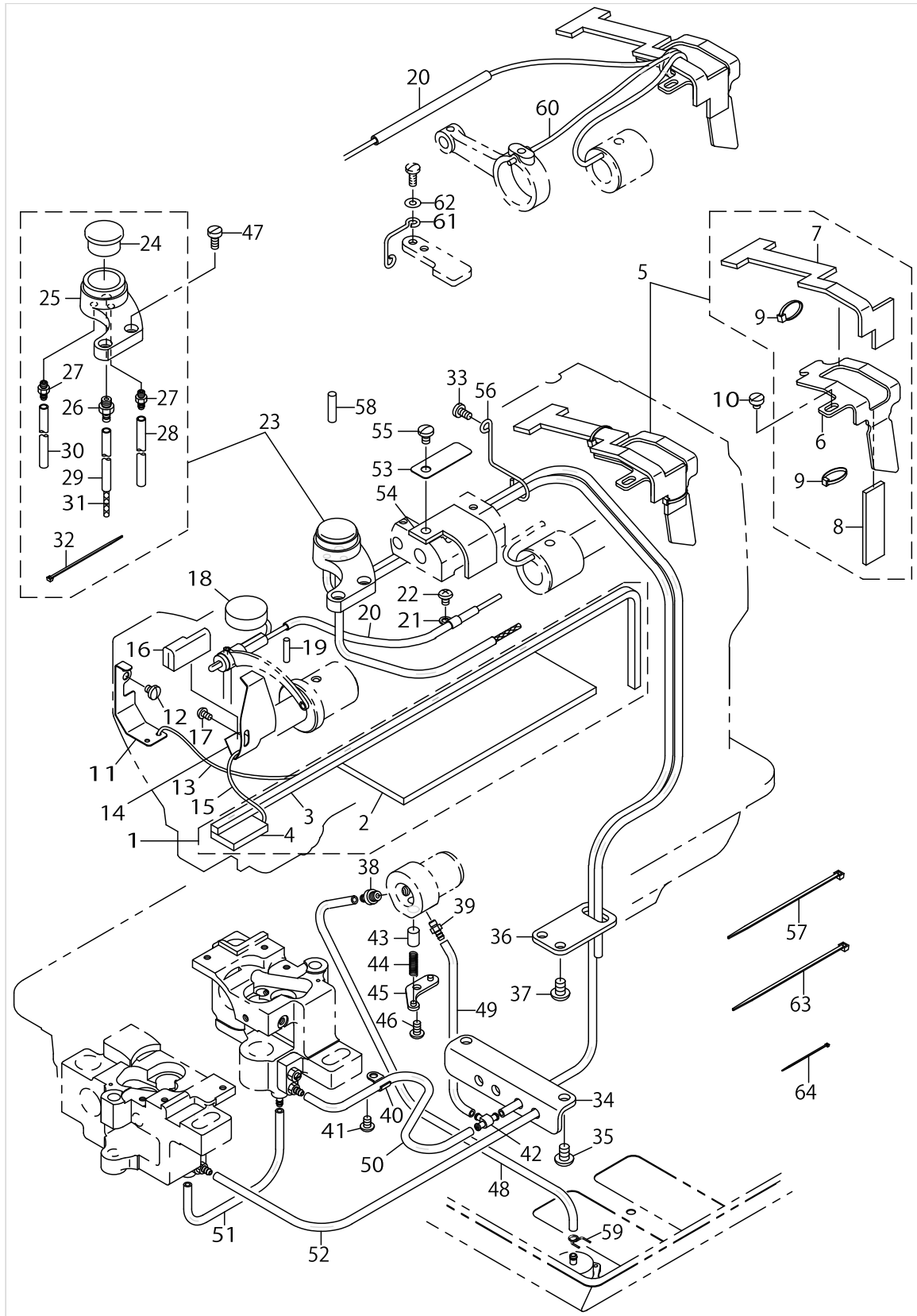
AIR MECHANISM COMPONENTS (FOR LU-1560N-7)



AIR MECHANISM COMPONENTS (FOR LU-1560N-7)

No.	Parts No.	Parts name	Remarks	Level	Cons	Qty
1	40102065	AIR APPARATUS B ASM.				1
2	HX002950000	WIRE MARK(1)		*		4
3	40102063	ELECTROMAGNETIC VALVE B ASM.		*		1
4	GAKA2302B00	ELECTROMAGNETIC VALVE A		*		1
5	GAK29010000	ELBOW B		*		1
6	GAKA1503000	INSULATION TUBE		*		1
7	HK03464000A	TERMINAL FEMALE		*		4
8	HK034610180	CONNECTOR		*		1
9	HX00295000A	WIRE MARK(2)		*		4
10	HX00295000B	WIRE MARK(3)		*		4
11	BT0600401EB	TUBE		*		3
12	SK3385001SE	WOOD SCREW D=3.8 L=50				4
13	SK3385001SE	WOOD SCREW D=3.8 L=50				4
14	40038722	FILTER REGULATAR ASM.				1
15	PF0552170A0	FILTER REGULATOR		*		1
16	40038723	FILTER REGULATOR MOUNTING PLATE		*		1
17	40107618	NIPPLE		*		1
18	GAK29009000	ELBOW		*		1
19	BT0600401EB	TUBE		*		1
20	SM4061001SB	SCREW M6 L=10		*		2
21	40102066	AIR APPARATUS C ASM.	OPTIONAL PARTS			1
22	40102064	ELECTROMAGNETIC VALVE C ASM.		*		1
23	GAKA2302C00	ELECTROMAGNETIC VALVE C		*		1
24	GAK29010000	ELBOW B		*		1
25	GAKA1503000	INSULATION TUBE		*		1
26	HK03464000A	TERMINAL FEMALE		*		1
27	HK034610180	CONNECTOR		*		1
28	HX00295000B	WIRE MARK(3)		*		4
29	HX00295000C	WIRE MARK(4)		*		4
30	BT0600401EB	TUBE		*		4
31	HX002950000	WIRE MARK(1)		*		4
32	HX00295000A	WIRE MARK(2)		*		4
33	SK3482501SE	WOOD SCREW D=4.8 L=25				2

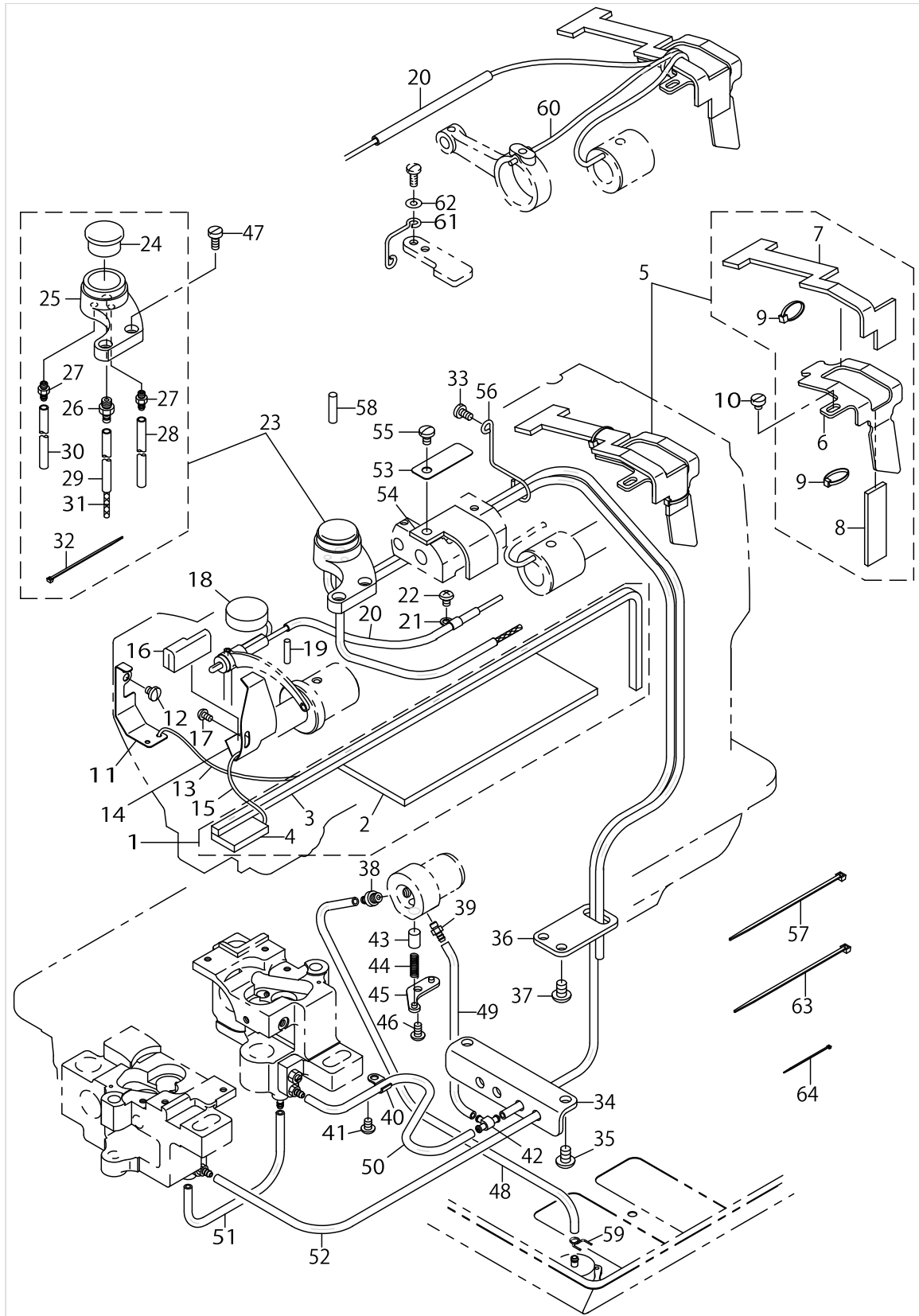
LUBRICATION COMPONENTS



LUBRICATION COMPONENTS

No.	Parts No.	Parts name	Remarks	Level	Cons	Qty
1	21345756	ARM ONCE THROUGH OIL FELT ASM.				1
2	21345707	ARM ONCE THROUGH FELT A		*		1
3	21345806	FELT B		*		1
4	21345905	FACE ONCE THROUGH FELT		*		1
5	21346358	FELT SUPPORT ASM.				1
6	21346309	FELT		*		1
7	21346507	FEED CHANGE FELT		*		1
8	21346408	FELT		*		1
9	EA9500B0000	CLIP CV-70S		*		2
10	SS6110480SP	SCREW 11/64-40 L=4.3				1
11	21340708	UPPER FEED OIL BAR PLATE				1
12	SS7110510SP	SCREW 11/64-40 L=5				1
13	CQ202000000	OIL WICK				0.2
14	21347000	TAKE-UP OIL PLATE				1
15	CQ202000000	OIL WICK				0.25
16	21347208	TAKE-UP LUBRICATION FELT				1
17	SS3090610SP	SCREW 9/64-40 L=6				1
18	21346002	FELT				1
19	B1412051000	FELT				1
20	BT0600402EA	OIL TUBE				0.12
21	B3538112000	OIL RETURN TUBE HOLDER				1
22	SS4110615SP	SCREW 11/64-40 L=6				1
23	40051503	ARM OIL TANK ASM.				1
24	B3520586000	OIL SIGHT WINDOW		*		1
25	21345608	ARM OIL TANK		*		1
26	SQ1110401MZ	CONNECTING SCREW		*		1
27	SQ1150451MZ	CONNECTING SCREW		*		2
28	23630007	TUBE		*		0.5
29	23630007	TUBE		*		0.2
30	23630007	TUBE		*		0.6
31	CQ252000000	OIL WICK		*		0.7
32	EA9500B0100	CABLE BAND		*		3
33	SS7110830SP	SCREW 11/64-40 L=7.5				1
34	21345103	LUBRICATION BRACKET				1
35	SS4150915SP	SCREW 15/64-28 L=9				2
36	21345202	OIL PIPE STAY				1
37	SS4150915SP	SCREW 15/64-28 L=9				2
38	40064409	CONNECTION SCREW ASM.				1
39	SQ1110401MZ	CONNECTING SCREW				1
40	B3538112000	OIL RETURN TUBE HOLDER				1
41	SS4110615SP	SCREW 11/64-40 L=6				1
42	13765607	OIL CONNEC. ARM				1
43	B3534155000	PLUNGER				1
44	B1214038000	PLUNGER SPRING				1
45	B3524552000	PLUNGER THRUST PLATE				1
46	SS4110815SP	SCREW 11/64-40 L=8				1
47	SS6111010TP	SCREW 11/64-40 L=9.5				2

LUBRICATION COMPONENTS

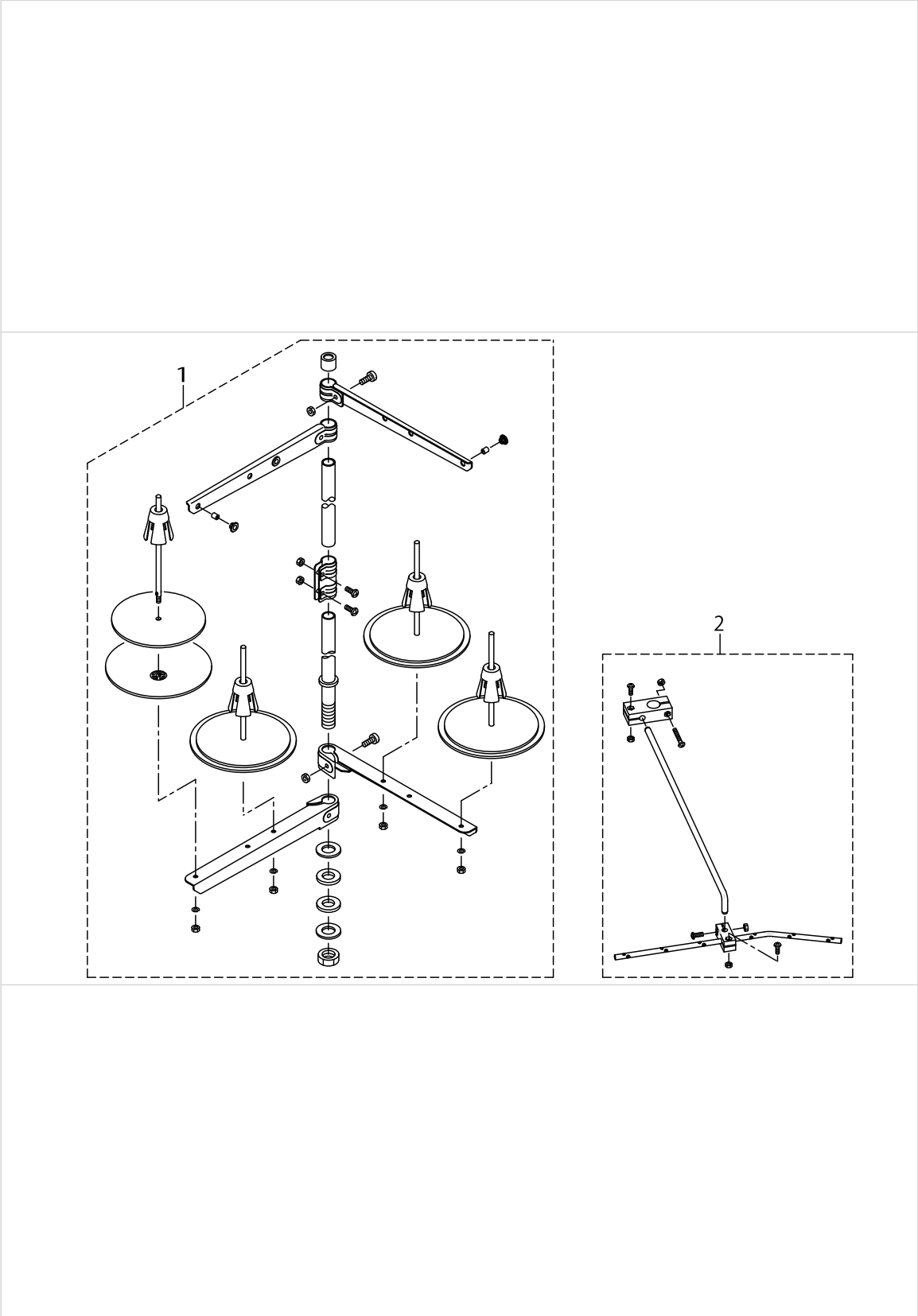


LUBRICATION COMPONENTS

No.	Parts No.	Parts name	Remarks	Level	Cons	Qty
48	23630007	TUBE				0.36
49	23630007	TUBE				0.16
50	23630007	TUBE				0.22
51	23630007	TUBE				0.1
52	23630007	TUBE				0.5
53	21346101	LUBRICATION FELT PRESSER	FOR LU-1560N-7			1
54	21346200	MUTUAL VERTICAL CHANGE FELT	FOR LU-1560N-7			1
55	SS7120760SP	SCREW 3/16-28 L=7.0	FOR LU-1560N-7			1
56	21346606	PIPE SUPPORT				1
57	EA9500B0100	CABLE BAND				1
58	PS0500202KP	SPRING PIN 5X20	FOR LU-1560N			1
59	10126803	OIL TUBE HOLDER				1
60	CQ202000000	OIL WICK	FOR LU-1560N			0.2
61	22620504	OIL WICK HOLDER	FOR LU-1560N			1
62	WP0450801SD	WASHER 4.5X10X0.8	FOR LU-1560N			1
63	A407855000A	CLIP BAND				1
64	EA9500B0100	CABLE BAND				14



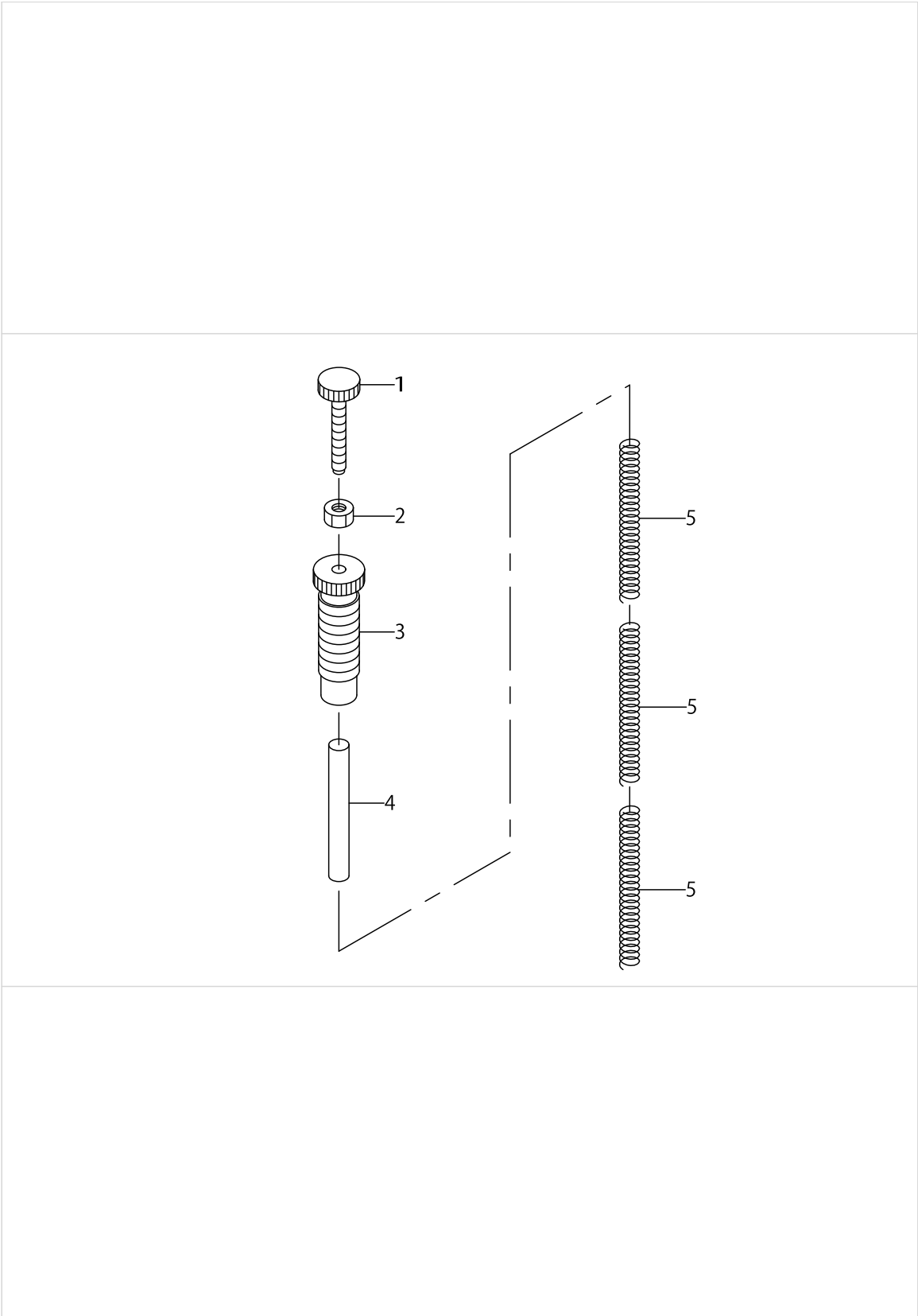
THREAD STAND COMPONENTS



THREAD STAND COMPONENTS

No.	Parts No.	Parts name	Remarks	Level	Cons	Qty
1	26910158	THREAD STANDING DEVICE ASM.				1
2	26910059	THREAD GUIDE ARM ASM.	FOR LU-1560N-7			1

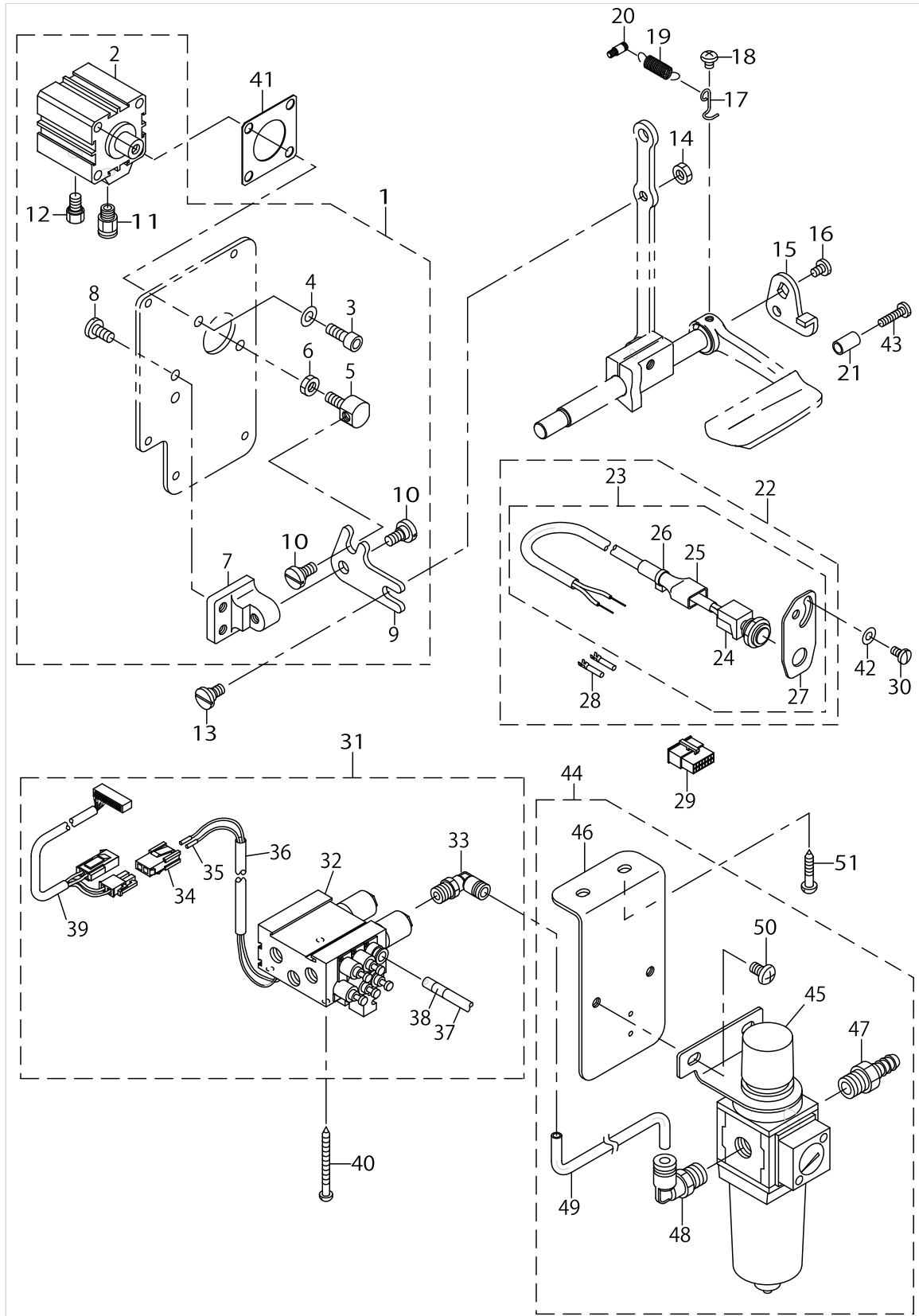
OPTIONAL PARTS (ADDITIONAL SPRING FOR PRESSER BAR) COMPONENTS



OPTIONAL PARTS (ADDITIONAL SPRING FOR PRESSER BAR) COMPONENTS

No.	Parts No.	Parts name	Remarks	Level	Cons	Qty
1	21006507	ADJUST SCREW B				1
2	NS6110530SP	NUT 11/64-40				1
3	21006408	ADJUST SCREW A				1
4	21342407	GUIDE SHAFT				1
5	21006002	ADJUST SPRING B				3

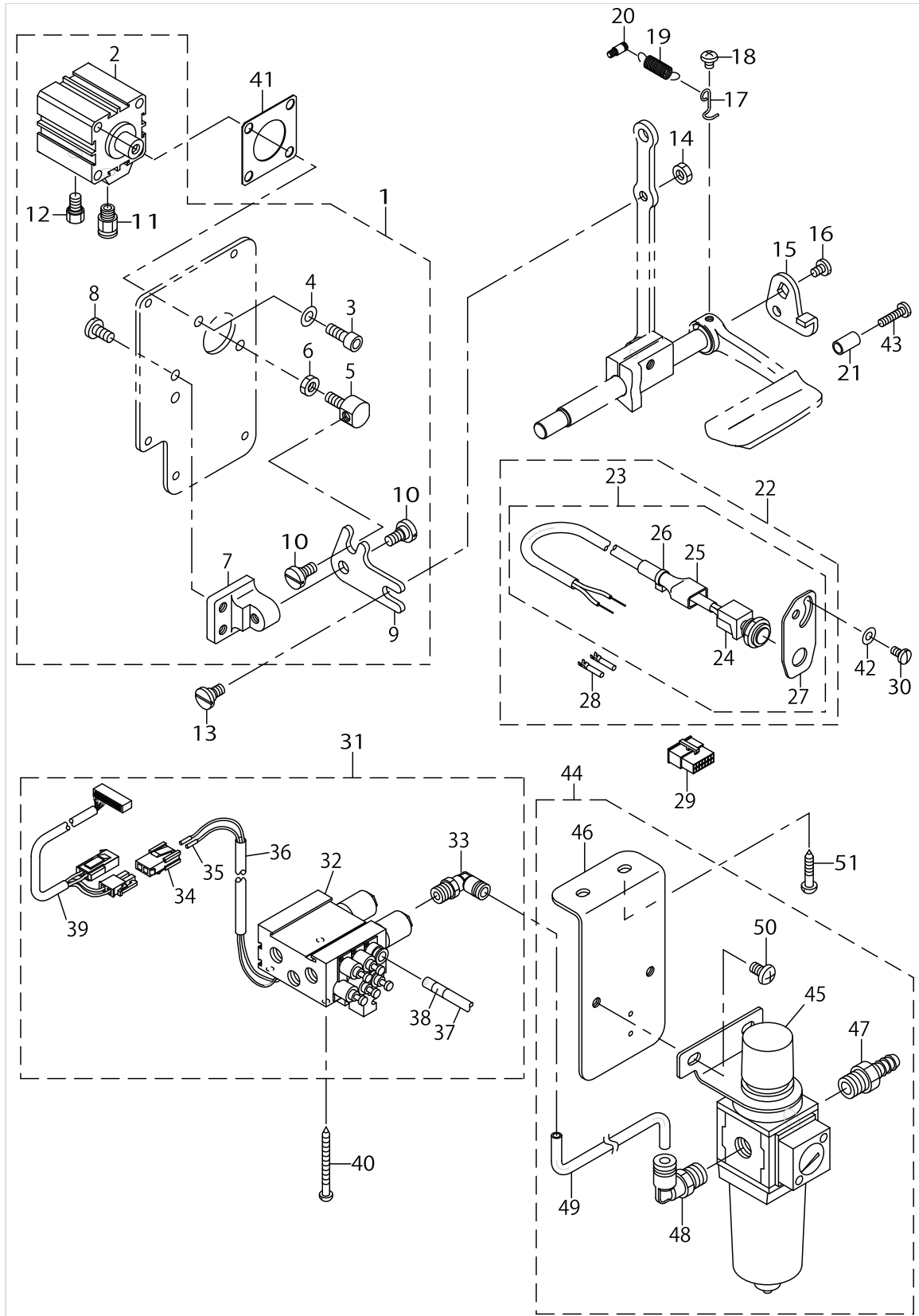
AUTOMATIC BACK COMPONENTS (OPTIONAL PARTS)



AUTOMATIC BACK COMPONENTS (OPTIONAL PARTS)

No.	Parts No.	Parts name	Remarks	Level	Cons	Qty
1	21348958	WINDOW PLATE ASM.				1
2	PA320150200	JIG CYLINDER		*		1
3	SM6061602TP	SCREW M6 L=16		*		2
4	WP0641601SD	WASHER M6		*		2
5	21348602	CYLINDER CONNECTING SCREW		*		1
6	NM6060003SC	NUT M6		*		1
7	21348503	FITTING BASE		*		1
8	SS7151210SP	SCREW 15/64-28 L=12		*		2
9	21348701	BACKWARD FEED LINK		*		1
10	SD0800352SP	HINGE SCREW D=8 H=3.5		*		2
11	PJ301065104	HALF UNION		*		1
12	PX015101000	MUFFLER		*		1
13	SD0800402TP	HINGE SCREW D=8 H=4				1
14	NS6150430SP	NUT 15/64-28				1
15	22656102	REVERSE FEED LINK (1)				1
16	SS7120760SP	SCREW 3/16-28 L=7.0				1
17	22656003	SPRING SUSPENSION				1
18	SS4120615SP	SCREW 3/16-28 L=6				1
19	26226209	SPRING				1
20	40023289	SPRING SUSPENSION				1
21	22952501	BACK LEVER STOPPER				1
22	40056366	BT SWITCH C ASM.				1
23	40056365	BT SWITCH B ASM.		*		1
24	40056364	BT SWITCH A ASM.		*		1
25	GTS01037000	CONNECTOR COVER		*		1
26	EA9500B0100	CABLE BAND		*		1
27	21388608	CABLE BAND		*		1
28	HK03464000A	TERMINAL FEMALE		*		2
29	HK034610140	HOUSING 14P				1
30	SS7110840SP	SCREW 11/64-40 L=7.8				2
31	40107488	AIR APPARATUS ASM.				1
32	40105335	ELECTROMAGNETIC VALVE (F)		*		1
33	GAK29010000	ELBOW B		*		1
34	HK034620020	2P PLUG		*		1
35	HK03463000A	TERMINAL		*		2
36	GAKA1503000	INSULATION TUBE		*		1
37	BT0600401EB	TUBE		*		1.3
38	HX002950000	WIRE MARK(1)		*		4
39	40105811	CORD ASM.		*		1
40	SK3385001SE	WOOD SCREW D=3.8 L=50				4
41	21349105	CYLINDER PACKING				1
42	WP0501016SD	WASHER 5X10.5X1				2
43	SS7111810SP	SCREW 11/64-40 L=18				1
44	40038722	FILTER REGULATAR ASM.				1
45	PF0552170A0	FILTER REGULATOR		*		1
46	40038723	FILTER REGULATOR MOUNTING PLATE		*		1
47	40107618	NIPPLE		*		1

AUTOMATIC BACK COMPONENTS (OPTIONAL PARTS)

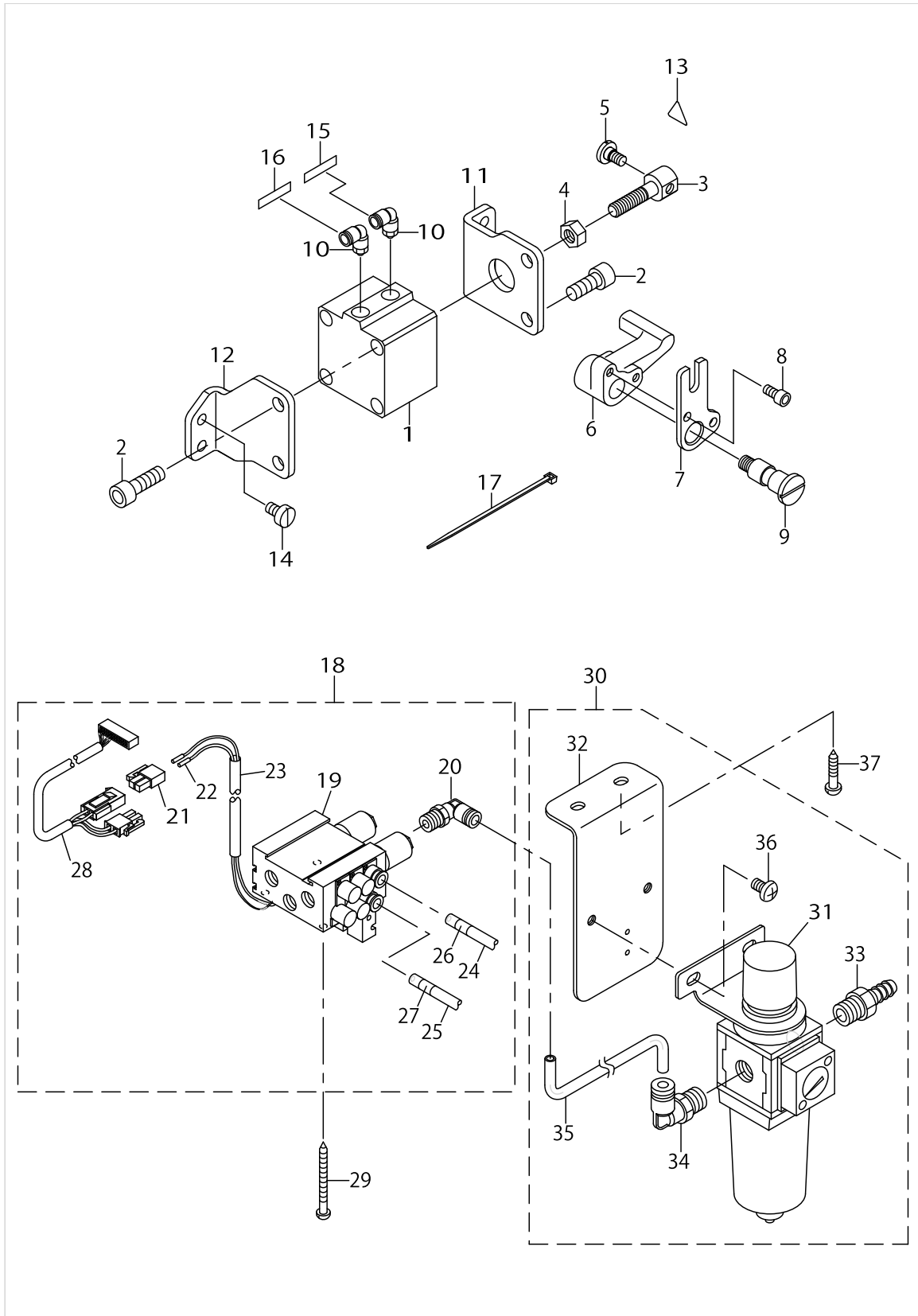


AUTOMATIC BACK COMPONENTS (OPTIONAL PARTS)

No.	Parts No.	Parts name	Remarks	Level	Cons	Qty
48	GAK29009000	ELBOW		*		1
49	BT0600401EB	TUBE		*		0.28
50	SM4061001SB	SCREW M6 L=10		*		2
51	SK3482501SE	WOOD SCREW D=4.8 L=25				2



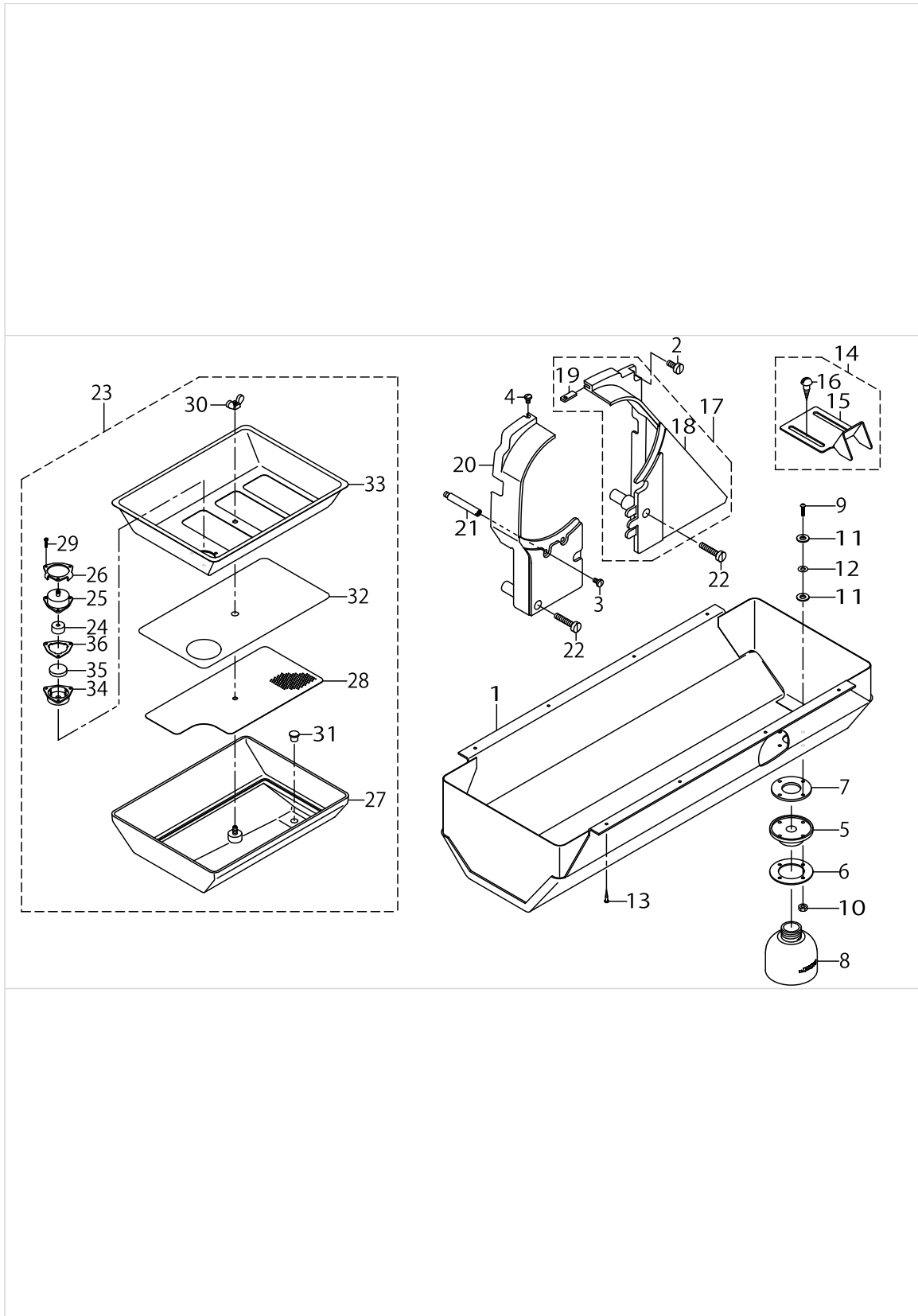
AUTOMATIC PRESSER LIFTING MECHANISM COMPONENTS (OPTIONAL PARTS)



AUTOMATIC PRESSER LIFTING MECHANISM COMPONENTS (OPTIONAL PARTS)

No.	Parts No.	Parts name	Remarks	Level	Cons	Qty
1	PA400150100	AIR CYLINDER				1
2	SM6082002TP	SCREW M8 L=20				4
3	21356506	CYLINDER CONNECTING SCREW				1
4	NM6080001SE	NUT M8				1
5	SD0720331SP	HINGE SCREW D=7.24 H=3.3				1
6	21356605	LEVER A				1
7	21356803	LEVER B				1
8	SM6051002TP	SCREW M5X0.8 L=10				2
9	21356704	SHAFT				1
10	PJ304065101	ELBOW UNION 6XPT1/8				2
11	21356308	CYLINDER STAY(FRONT)				1
12	21356407	CYLINDER STAY(REAR)				1
13	CM300200001	ATTENTION SEAL				1
14	SS6151040SP	SCREW 15/64-28 L=10				4
15	HX002950000	WIRE MARK(1)				1
16	HX00295000A	WIRE MARK(2)				1
17	EA9500B0100	CABLE BAND				3
18	40103003	AIR APPARATUS(P)ASM.				1
19	40038904	MAGNETIC VALVE(P)		*		1
20	GAK29010000	ELBOW B		*		1
21	HK034610020	2-POLE NYLON PLUG		*		1
22	HK03464000A	TERMINAL FEMALE		*		2
23	GAKA1503000	INSULATION TUBE		*		1
24	BT0600401EB	TUBE		*		1.3
25	BT0600401EB	TUBE		*		1.3
26	HX00295000A	WIRE MARK(2)		*		4
27	HX00295000B	WIRE MARK(3)		*		4
28	40105811	CORD ASM.		*		1
29	SK3385001SE	WOOD SCREW D=3.8 L=50				4
30	40038722	FILTER REGULATAR ASM.				1
31	PF0552170A0	FILTER REGULATOR		*		1
32	40038723	FILTER REGULATOR MOUNTING PLATE		*		1
33	40107618	NIPPLE		*		1
34	GAK29009000	ELBOW		*		1
35	BT0600401EB	TUBE		*		0.28
36	SM4061001SB	SCREW M6 L=10		*		2
37	SK3482501SE	WOOD SCREW D=4.8 L=25				2

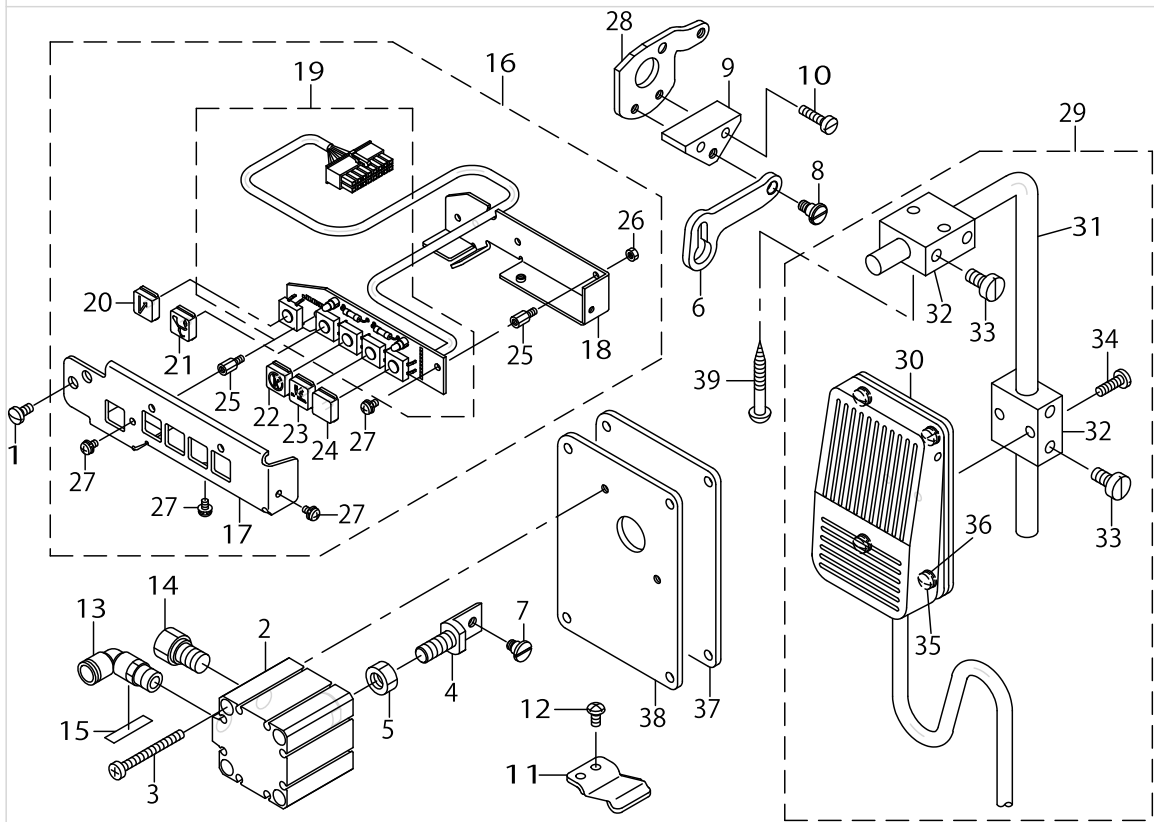
BELT COVER & OIL RESERVOIR COMPONENTS



BELT COVER & OIL RESERVOIR COMPONENTS

No.	Parts No.	Parts name	Remarks	Level	Cons	Qty
1	21351457	OIL RESERVOIR ASM.				1
2	SS6151440SP	SCREW 15/64-28 L=14				1
3	SS7110840SP	SCREW 11/64-40 L=7.8				1
4	SS5110740TP	SCREW 11/64-40 L= 6.5				1
5	40025299	OIL POT JOINT				1
6	21379003	OIL MANAGEMENT WASHER				1
7	B8112220000	OIL SEAL				1
8	40025300	OIL POT				1
9	SM3031401SE	SCREW M3X0.5 L=14				4
10	NM6030001SC	NUT M3				4
11	10748101	OIL REMOVING SETSCREW PACKING				8
12	WP0320501SC	WASHER M3				4
13	SK3241601SC	WOOD SCREW D=2.4 L=16				8
14	10755254	BELT COVER C ASM. (FOR JE)				1
15	10755205	BELT COVER C(JE)		*		1
16	SK3482500SC	WOOD SCREW D=4.8 L=25		*		2
17	21351150	BELT COVER ASM. (RIGHT)				1
18	21351101	BELT COVER (RIGHT)		*		1
19	21351002	BELT COVER AUXILIARY PLATE		*		1
20	21351200	BELT COVER (LEFT)				1
21	D8232241E00	BELT COVER SUPPORT A				1
22	SS6153040SP	SCREW 15/64-28 L=30				2
23	21345350	OIL TANK ASM.				1
24	10727303	FILTER		*		1
25	10727204	FILTER CAP		*		1
26	10753002	FILTER PLATE		*		1
27	21345301	OIL TANK		*		1
28	21346804	COVER(LOWER)		*		1
29	SM6021000TP	SCREW		*		3
30	NM9050001SC	WING NUT M5X0.8		*		1
31	TA0800704R0	RUBBER PLUG		*		1
32	21346903	FILTER		*		1
33	21346705	COVER(REAR)		*		1
34	21345509	FILTER CASE		*		1
35	B8228125000	OIL RESERVOIR MAGNET		*		1
36	10739209	FILTER PACKING		*		1

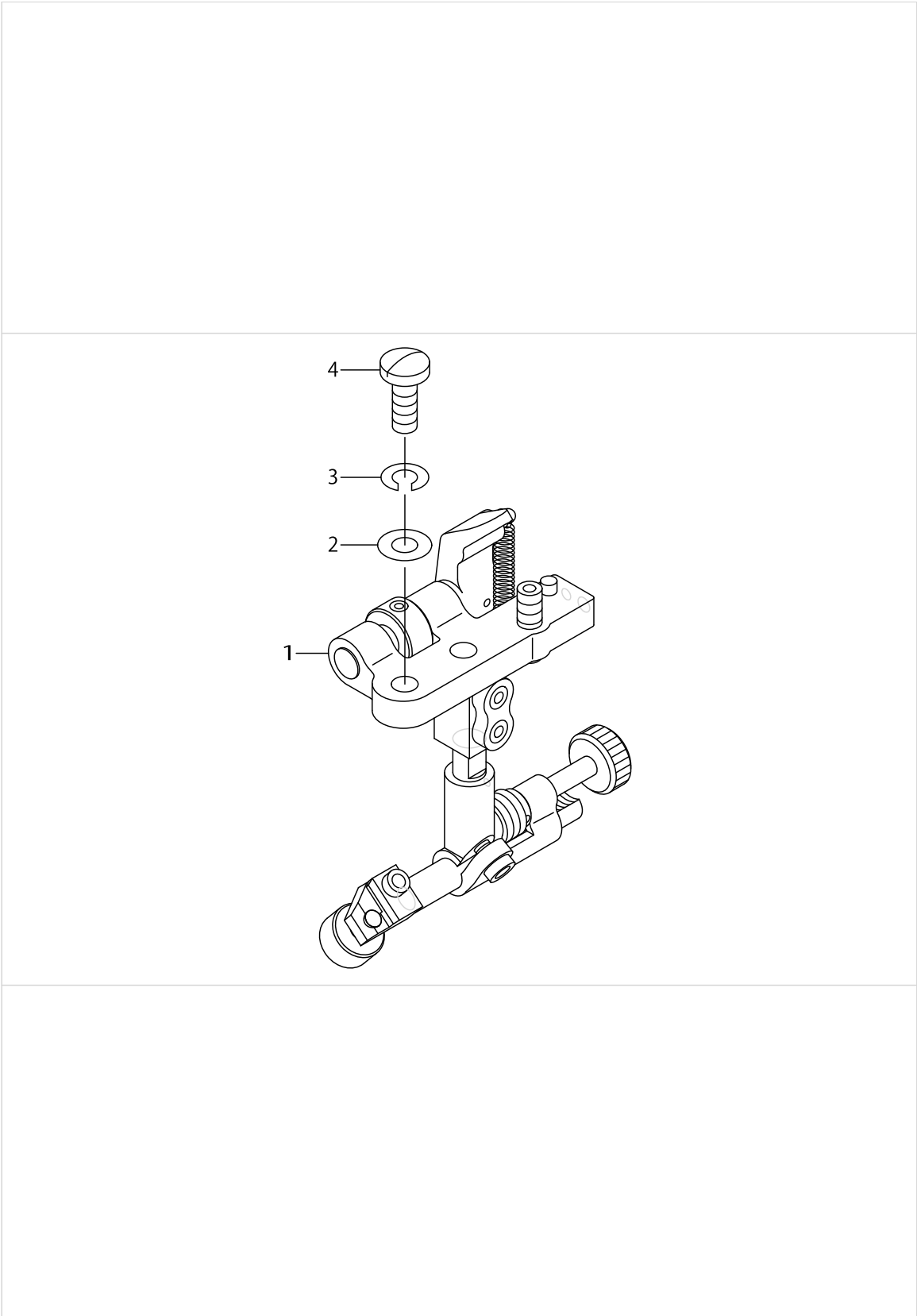
DL MECHANISM COMPONENTS (OPTIONAL PARTS)



## DL MECHANISM COMPONENTS (OPTIONAL PARTS)

No.	Parts No.	Parts name	Remarks	Level	Cons	Qty
1	SS7110840SP	SCREW 11/64-40 L=7.8				2
2	PA320200100	JIG CYLINDER				1
3	SM6044002TP	SCREW				2
4	21438403	CYLYNDER CONNECTING SCREW				1
5	NM6080721SE	NUT M8				1
6	21438502	MUTUAL VERTICAL LINK				1
7	SD0600403TP	HINGE SCREW				1
8	SD0600454TP	SHOULDER SCREW				1
9	21438601	MUTUAL VERTICAL LINK SPACER				1
10	SS6111610SP	SCREW 11/64-40 L=16				2
11	21438700	MUTUAL VERTICAL LINK SUPPORT				1
12	SS4110815SP	SCREW 11/64-40 L=8				2
13	PJ304065101	ELBOW UNION 6XPT1/8				1
14	PX015101000	MUFFLER				1
15	HX00295000C	WIRE MARK(4)				1
16	40102062	5RANGE SWITCH ASM.				1
17	21442603	SWITCH COVER		*		1
18	21442702	SWITCH CIRCUIT FITTING BASE		*		1
19	40102061	5RANGE SWITCH SUB ASM.		*		1
20	21442900	KEY TOP A		*		1
21	21443007	KEY TOP B		*		1
22	21443106	KEY TOP C		*		1
23	21443205	KEY TOP D		*		1
24	21443809	KEY TOP F		*		1
25	HX00354000N	SPACER		*		4
26	NM6030001SC	NUT M3		*		3
27	SL4030631SC	SCREW M3X6		*		4
28	21438106	STOPPER PLATE B				1
29	40025036	KNEE SWITCH ASM.				1
30	40025035	KNEE SWITCH ASM.		*		1
31	MAT80231T00	DRIVING BAR T002		*		1
32	MAT80230T00	KNEE SWITCH SUPPORT BASE		*		2
33	SS6151220SP	SCREW 15/64-28 L=11.5		*		4
34	SS7111410SP	SCREW 11/64-40 L=14		*		2
35	SS7110710SL	SCREW 11/64-40 L=7.0		*		4
36	WP0480856SP	WASHER 4.8X8.4X0.8		*		4
37	21437306	WINDOW PLATE E PACKING				1
38	21437207	WINDOW PLATE F				1
39	SK3514000SC	WOOD SCREW D=5.1 L=40				2

SUSPENSION SQUARE COMPONENTS (OPTIONAL PARTS)

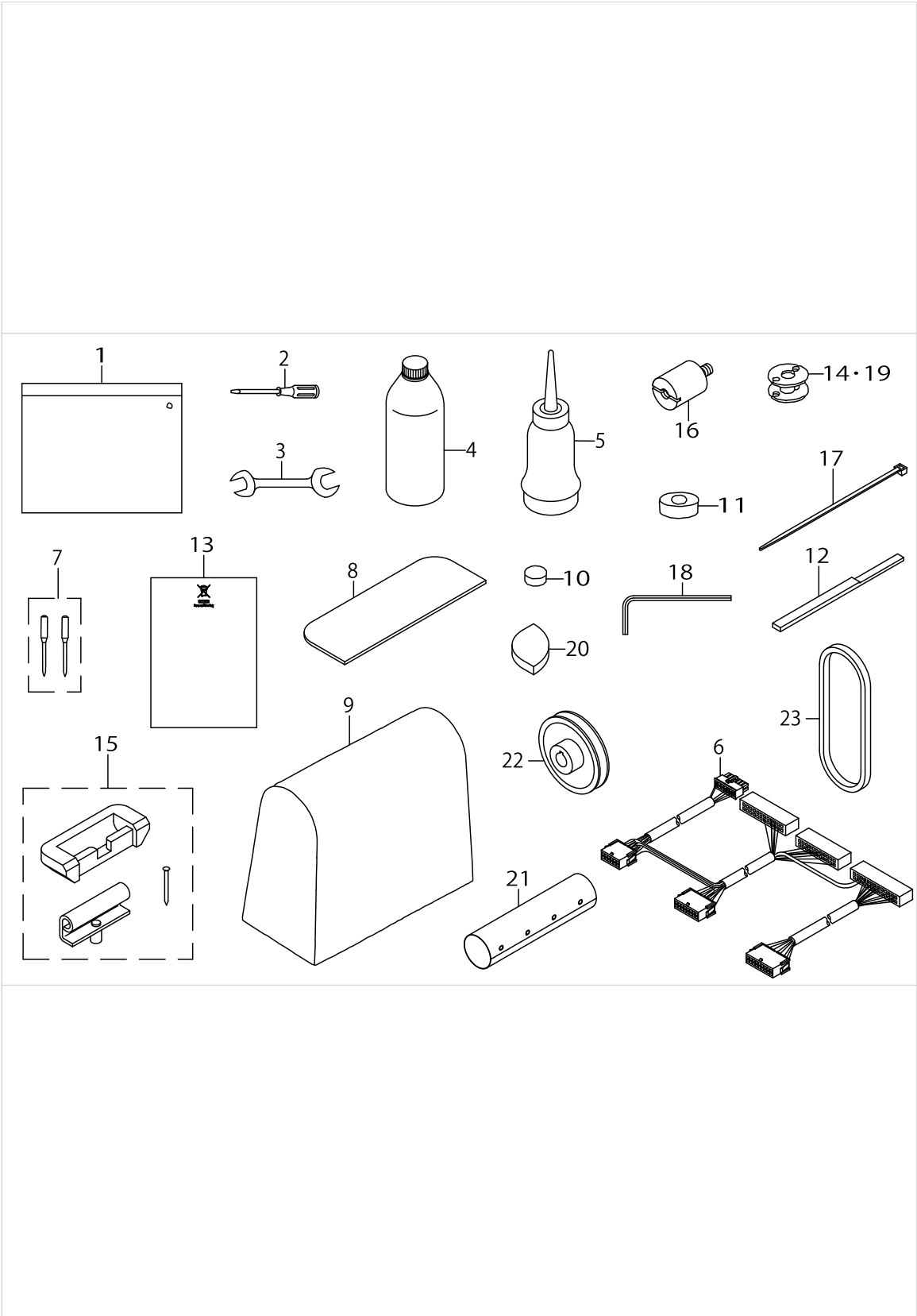


SUSPENSION SQUARE COMPONENTS (OPTIONAL PARTS)

No.	Parts No.	Parts name	Remarks	Level	Cons	Qty
1	MAH152010A0	RULER				1
2	WP0621016SD	WASHER 6.2X13X1				2
3	WS0610002KN	SPRING WASHER 6.1X12.2X1.5				2
4	SS7151610SP	SCREW 15/64-28 L=16				2



ACCESSORIES PARTS COMPONENTS




ACCESSORIES PARTS COMPONENTS


No.	Parts No.	Parts name	Remarks	Level	Cons	Qty
1	21413158	ACCESSORY BAG ASM.				1
2	22933006	SCREW DRIVER LARGE				1
3	B9113012000	WRENCH (9X10)				1
4	MDFRX2700C0	NEW DEFRIX OIL NO.2(700CC)				1
5	J1067000000	OILER				1
6	40101742	RELAY CORD ASM.	FOR LU-1560N-7			1
7	M13517B1602	NEEDLE 135X17 #160-2				1
8	10742005	SPACER				2
9	22933303	COVER				1
10	B8206012000	FELT CUSHION				4
11	B8209012000	RUBBER CUSHION				4
12	21390307	FIXING KNIFE GAUGE				1
13	CM600100201	WEEE INFORMATION SHEET				1
14	21334800	ALUMINUM BOBBIN WITH KNURL	COMPLETE SET DELIVERY ONLY			1
15	21413257	RUBBER HINGE ASM.				1
16	40101368	PANEL STUD	FOR LU-1560N-7			2
17	EA9500B0100	CABLE BAND	FOR LU-1560N-7			3
18	B9102057000	WRENCH (3/32)				1
19	B9117563000	BOBBIN	FOR LU-1560N			2
20	B8207012000	CUSHION (A)				4
21	40102736	BUTTON TUBE	FOR LU-1560N-7			0.35
22	MTSP00900B0	MOTOR PULLEY ASM. P.C.D 90	FOR LU-1560N-7			1
23	MTJVH00430A	V BELT 43INCH	FOR LU-1560N-7			1

TABLE OF EXCHANGING GAUGE PARTS

Common Parts  
共通部品

Needle gauge size 針幅	Throat Plate 針板		Feed Dog 送り歯		Presser Foot asm. 押さえ足組		Presser Foot asm. (with Center guide) 押さえ足組 (センターガイド付)		Needle Clamp asm. 針留組	
	Ref.No	Part No.	Ref.No	Part No.	Ref.No	Part No.	Ref.No	Part No.	Ref.No	Part No.
										
(1/8)	1	213-68709	13	213-69400	25	213-70853			40	213-71554
(3/16)	2	213-66109	14	213-66604	26	213-67651			41	213-68154
(1/4)	3	213-66208	15	213-66703	27	213-67750			42	213-68253
(5/16)	4	213-66307	16	213-66802	28	213-67859	37	213-74657	43	213-68352
(3/8)	5	213-66406	17	213-66901	29	213-67958	38	213-74756	44	213-68451
(1/2)	6	213-66505	18	213-67008	30	213-68055	39	213-74855	45	213-68550
(5/8)	7	213-68808	19	213-69509	31	213-70952			46	213-71653
(3/4)	8	213-68907	20	213-69608	32	213-71059			47	213-71752
(7/8)	9	213-69004	21	213-69707	33	213-71158			48	213-71851
(1)	10	213-69103	22	213-69806	34	213-71257			49	213-71950
(1-1/8)	11	213-69202	23	213-69905	35	213-71356			50	213-72057
(1-1/4)	12	213-69301	24	213-70002	36	213-71455			51	213-72156

For LU-1560-7  
LU-1560-7用

Needle gauge size 針幅	Feed Foot asm. 送り足組		Bed Slide asm. (Left) 滑り板 (左)		Bed Slide asm. (Right) 滑り板 (右)	
	Ref.No	Part No.	Ref.No	Part No.	Ref.No	Part No.
						
(1/8)	52	213-70150	63	213-65606	66	213-65002
(3/16)	53	213-67156				
(1/4)	54	213-67255				
(5/16)	55	213-67354				
(3/8)	56	213-67453				
(1/2)	57	213-67552	64	213-65705	67	213-65101
(5/8)	58	213-70259				
(3/4)	59	213-70358				
(7/8)	60	213-70457	65	213-65804	68	213-65200
(1)	61	213-70556				
(1-1/8)	62	213-70655				

For LU-1560  
LU-1560用



Needle gauge size 針幅	Feed Foot asm. 送り足組		Feed Foot asm. (Option) 送り足組 (オプション)	
	Ref.No	Part No.	Ref.No	Part No.
				
(1/8)	69	213-72255	81	213-73451
(3/16)	70	213-72354	82	213-73550
(1/4)	71	213-72453	83	213-73659
(5/16)	72	213-72552	84	213-73758
(3/8)	73	213-72651	85	213-73857
(1/2)	74	213-72750	86	213-73956
(5/8)	75	213-72859	87	213-74053
(3/4)	76	213-72958	88	213-74152
(7/8)	77	213-73055	89	213-74251
(1)	78	213-73154	90	213-74350
(1-1/8)	79	213-73253	91	213-74459
(1-1/4)	80	213-73352	92	213-74558

TABLE OF EXCHANGING GAUGE PARTS


No.	Parts No.	Parts name	Remarks	Level	Cons	Qty
1	21368709	NEEDLE PLATE 1/8				1
2	21366109	NEEDLE PLATE 3/16				1
3	21366208	NEEDLE PLATE 1/4				1
4	21366307	NEEDLE PLATE 5/16				1
5	21366406	NEEDLE PLATE 3/8				1
6	21366505	NEEDLE PLATE 1/2				1
7	21368808	NEEDLE PLATE 5/8				1
8	21368907	NEEDLE PLATE 3/4				1
9	21369004	NEEDLE PLATE 7/8				1
10	21369103	NEEDLE PLATE 1				1
11	21369202	NEEDLE PLATE 1-1/8				1
12	21369301	NEEDLE PLATE 1-1/4	EXCLSIVE LU-1560N			1
13	21369400	FEED DOG 1/8				1
14	21366604	FEED DOG 3/16				1
15	21366703	FEED DOG 1/4				1
16	21366802	FEED DOG 5/16				1
17	21366901	FEED DOG 3/8				1
18	21367008	FEED DOG 1/2				1
19	21369509	FEED DOG 5/8				1
20	21369608	FEED DOG 3/4				1
21	21369707	FEED DOG 7/8				1
22	21369806	FEED DOG 1				1
23	21369905	FEED DOG 1-1/8				1
24	21370002	FEED DOG 1-1/4	EXCLSIVE LU-1560N			1
25	21370853	PRESSER FOOT ASM. 1/8				1
26	21367651	PRESSER FOOT ASM. 3/16				1
27	21367750	PRESSER FOOT ASM. 1/4				1
28	21367859	PRESSER FOOT ASM. 5/16				1
29	21367958	PRESSER FOOT ASM. 3/8				1
30	21368055	PRESSER FOOT ASM. 1/2				1
31	21370952	PRESSER FOOT ASM. 5/8				1
32	21371059	PRESSER FOOT ASM. 3/4				1
33	21371158	PRESSER FOOT ASM. 7/8				1
34	21371257	PRESSER FOOT ASM. 1				1
35	21371356	PRESSER FOOT ASM. 1-1/8				1
36	21371455	PRESSER FOOT ASM. 1-1/4	EXCLSIVE LU-1560N			1
37	21374657	PRESSER FOOT 5/16 ASM.				1
38	21374756	PRESSER FOOT 3/8 ASM.				1
39	21374855	PRESSER FOOT 1/2 ASM.				1
40	21371554	NEEDLE CLAMP 1/8 ASM.				1
41	21368154	NEEDLE CLAMP 3/16 ASM.				1
42	21368253	NEEDLE CLAMP 1/4 ASM.				1
43	21368352	NEEDLE CLAMP 5/16 ASM.				1
44	21368451	NEEDLE CLAMP 3/8 ASM.				1
45	21368550	NEEDLE CLAMP 1/2 ASM.				1
46	21371653	NEEDLE CLAMP 5/8 ASM.				1
47	21371752	NEEDLE CLAMP 3/4 ASM.				1

TABLE OF EXCHANGING GAUGE PARTS

Common Parts  
共通部品

Needle gauge size 針幅	Throat Plate 針板		Feed Dog 送り歯		Presser Foot asm. 押さえ足組		Presser Foot asm. (with Center guide) 押さえ足組 (センターガイド付)		Needle Clamp asm. 針留組	
	Ref.No	Part No.	Ref.No	Part No.	Ref.No	Part No.	Ref.No	Part No.	Ref.No	Part No.
										
(1/8)	1	213-68709	13	213-69400	25	213-70853			40	213-71554
(3/16)	2	213-66109	14	213-66604	26	213-67651			41	213-68154
(1/4)	3	213-66208	15	213-66703	27	213-67750			42	213-68253
(5/16)	4	213-66307	16	213-66802	28	213-67859	37	213-74657	43	213-68352
(3/8)	5	213-66406	17	213-66901	29	213-67958	38	213-74756	44	213-68451
(1/2)	6	213-66505	18	213-67008	30	213-68055	39	213-74855	45	213-68550
(5/8)	7	213-68808	19	213-69509	31	213-70952			46	213-71653
(3/4)	8	213-68907	20	213-69608	32	213-71059			47	213-71752
(7/8)	9	213-69004	21	213-69707	33	213-71158			48	213-71851
(1)	10	213-69103	22	213-69806	34	213-71257			49	213-71950
(1-1/8)	11	213-69202	23	213-69905	35	213-71356			50	213-72057
(1-1/4)	12	213-69301	24	213-70002	36	213-71455			51	213-72156

For LU-1560-7  
LU-1560-7用

Needle gauge size 針幅	Feed Foot asm. 送り足組		Bed Slide asm. (Left) 滑り板 (左)		Bed Slide asm. (Right) 滑り板 (右)	
	Ref.No	Part No.	Ref.No	Part No.	Ref.No	Part No.
						
(1/8)	52	213-70150	63	213-65606	66	213-65002
(3/16)	53	213-67156				
(1/4)	54	213-67255				
(5/16)	55	213-67354				
(3/8)	56	213-67453				
(1/2)	57	213-67552	64	213-65705	67	213-65101
(5/8)	58	213-70259				
(3/4)	59	213-70358				
(7/8)	60	213-70457	65	213-65804	68	213-65200
(1)	61	213-70556				
(1-1/8)	62	213-70655				

For LU-1560  
LU-1560用

Needle gauge size 針幅	Feed Foot asm. 送り足組		Feed Foot asm. (Option) 送り足組 (オプション)	
	Ref.No	Part No.	Ref.No	Part No.
				
(1/8)	69	213-72255	81	213-73451
(3/16)	70	213-72354	82	213-73550
(1/4)	71	213-72453	83	213-73659
(5/16)	72	213-72552	84	213-73758
(3/8)	73	213-72651	85	213-73857
(1/2)	74	213-72750	86	213-73956
(5/8)	75	213-72859	87	213-74053
(3/4)	76	213-72958	88	213-74152
(7/8)	77	213-73055	89	213-74251
(1)	78	213-73154	90	213-74350
(1-1/8)	79	213-73253	91	213-74459
(1-1/4)	80	213-73352	92	213-74558

TABLE OF EXCHANGING GAUGE PARTS

No.	Parts No.	Parts name	Remarks	Level	Cons	Qty
48	21371851	NEEDLE CLAMP 7/8 ASM.				1
49	21371950	NEEDLE CLAMP 1 ASM.				1
50	21372057	NEEDLE CLAMP 1-1/8 ASM.				1
51	21372156	NEEDLE CLAMP 1-1/4 ASM.	EXCLSIVE LU-1560N			1
52	21370150	WALKING FOOT 1/8 ASM.				1
53	21367156	WALKING FOOT 3/16 ASM.				1
54	21367255	WALKING FOOT 1/4 ASM.				1
55	21367354	WALKING FOOT 5/16 ASM.				1
56	21367453	WALKING FOOT 3/8 ASM.				1
57	21367552	WALKING FOOT 1/2 ASM.				1
58	21370259	WALKING FOOT 5/8 ASM.				1
59	21370358	WALKING FOOT 3/4 ASM.				1
60	21370457	WALKING FOOT 7/8 ASM.				1
61	21370556	WALKING FOOT 1 ASM.				1
62	21370655	WALKING FOOT 1-1/8 ASM.				1
63	21365606	BED SLIDE(LEFT) A				1
64	21365705	BED SLIDE(LEFT) B				1
65	21365804	BED SLIDE(LEFT) C				1
66	21365002	BED SLIDE(RIGHT) A				1
67	21365101	BED SLIDE(RIGHT) B				1
68	21365200	BED SLIDE(RIGHT) C				1
69	21372255	WALKING FOOT 1/8 ASM.				1
70	21372354	WALKING FOOT 3/16 ASM.				1
71	21372453	WALKING FOOT 1/4 ASM.				1
72	21372552	WALKING FOOT 5/16 ASM.				1
73	21372651	WALKING FOOT 3/8 ASM.				1
74	21372750	WALKING FOOT 1/2 ASM.				1
75	21372859	WALKING FOOT 5/8 ASM.				1
76	21372958	WALKING FOOT 3/4 ASM.				1
77	21373055	WALKING FOOT 7/8 ASM.				1
78	21373154	WALKING FOOT 1 ASM.				1
79	21373253	WALKING FOOT 1-1/8 ASM.				1
80	21373352	WALKING FOOT 1-1/4 ASM.				1
81	21373451	WALKING FOOT 1/8 ASM.				1
82	21373550	WALKING FOOT 3/16 ASM.				1
83	21373659	WALKING FOOT 1/4 ASM.				1
84	21373758	WALKING FOOT 5/16 ASM.				1
85	21373857	WALKING FOOT 3/8 ASM.				1
86	21373956	WALKING FOOT 1/2 ASM.				1
87	21374053	WALKING FOOT 5/8 ASM.				1
88	21374152	WALKING FOOT 3/4 ASM.				1
89	21374251	WALKING FOOT 7/8 ASM.				1
90	21374350	WALKING FOOT 1 ASM.				1
91	21374459	WALKING FOOT 1-1/8 ASM.				1
92	21374558	WALKING FOOT 1-1/4 ASM.				1



## HOW TO MAKE USE OF THIS PARTS LIST

### 1.Explanation of codes

1)"\*"mark.....means this part is changed from the previous parts book.

As to the details of the change, refer to the "List for information of change".

2)"#01".....refer to "Note" explanation at bottom of page.

### 2.Codes on the "Qty" column

• Each numeral indicates the number of parts required.

• "0.1" and "2.5" indicate the length (in meters) of the respective parts.

3.Parentheses mean that the corresponding part is a subpart that constructs an assembly part.

4.Dotted lines on the Figures indicate assembly parts.

### 1."注記"欄の記号説明

1) "\*"印.....前回のパーツブックに比較して今回変更された部品を意味します。

変更内容は、"変更情報リスト"を参照してください。

2) "#01".....ページ下の"注記"の説明を参照してください。

2.数量欄の数字は、個数を表し、0.1、2.5等の数値は、長さ（単位メートル）を表します。

3.数量欄の（ ）は、組部品を構成している子部品であることを意味します。

4.イラストページの-----枠は、組構成であることを意味します。



# NUMERICAL INDEX OF PARTS

PART NO	PAGE	REF NO.	PART NO	PAGE	REF NO.	PART NO	PAGE	REF NO.
10107902	18	3	10774404	14	59	21337803	14	92
10109700	24	56~62	11072204	32	19	21337803	18	64
10109809	24	56~62	11072402	32	13	21337803	20	64
10109908	22	25	13765607	44	42	21337902	18	31
10110906	24	56~62	14512503	38	17	21338306	18	29
10111003	24	56~62	17912106	2	26	21338603	10	18
10111102	22	20·21	21006002	50	5	21338801	10	20
10111201	24	56~62	21006408	50	3	21338900	10	22
10112407	22	26	21006507	50	1	21339007	10	28
10112506	24	56~62	21048707	14	88	21339056	10	27
10112605	24	56~62	21331202	2	11	21339106	6	7
10112704	22	20·21	21331301	2	4	21339304	10	25
10116804	26	27	21331608	2	18	21339502	8	77
10124204	32	10	21331756	2	8	21339601	14	71
10124303	32	14	21331806	2	12	21339700	14	73·82
10124501	32	3	21332002	2	13	21339809	14	79
10126803	46	59	21332101	4	55	21340005	14	87
10201200	4	58	21332200	4	51	21340302	14	90
10205201	18	20	21332309	2	16	21340401	12	1
10321107	32	34~36	21332507	6	12	21340500	12	2
10502300	38	21	21332705	6	1	21340708	44	11
10509701	12	22	21333000	6	2	21340906	16	97
10604809	8	71	21333109	6	17	21341151	12	46
10618304	38	8	21333406	8	58	21341508	14	68
10622009	4	78	21333703	8	60·74	21341607	14	65
10704807	38	19	21333901	8	60·74	21342407	50	4
10713501	14	75	21334008	8	61	21342506	36	4
10713808	14	83	21334701	22	24	21342555	36	3
10714202	14	70	21334800	22	34·35	21342605	36	5
10714608	14	85	21334800	64	14·19	21342704	36	9
10715100	14	60	21334909	22	5·6	21342803	36	13
10715308	14	66	21335104	22	1·3	21342902	36	17
10715704	14	62	21335500	22	10·11	21343009	36	11
10716504	14	76	21335708	22	12·13	21343108	36	32
10718203	14	69	21335807	22	16·17	21343157	36	30
10727204	58	25	21336300	20	56	21343207	36	1
10727303	58	24	21336607	20	49	21343355	36	21
10739209	58	36	21336656	20	48	21343405	36	19
10742005	64	8	21336805	18	41	21343702	36	6
10748101	58	11	21337209	18	38	21343801	36	7
10753002	58	26	21337308	18	33	21345103	44	34
10755205	58	15	21337407	18	26	21345202	44	36
10755254	58	14	21337506	18	23	21345301	58	27
10774305	14	58	21337605	18	35	21345350	58	23
10774354	14	57	21337704	18	24	21345509	58	34

# NUMERICAL INDEX OF PARTS

PART NO	PAGE	REF NO.	PART NO	PAGE	REF NO.	PART NO	PAGE	REF NO.
21345608	44	25	21354907	28	63	21366802	66	16
21345707	44	2	21355102	28	54	21366901	18	42
21345756	44	1	21355706	38	24	21366901	66	17
21345806	44	3	21355755	38	23	21367008	66	18
21345905	44	4	21355904	2	6	21367156	68	53
21346002	44	18	21356001	38	6	21367255	68	54
21346101	46	53	21356308	40	11	21367354	68	55
21346200	46	54	21356308	56	11	21367453	14	51・52
21346309	44	6	21356407	40	12	21367453	68	56
21346358	44	5	21356407	56	12	21367552	68	57
21346408	44	8	21356506	40	3	21367651	66	26
21346507	44	7	21356506	56	3	21367750	66	27
21346606	46	56	21356605	56	6	21367859	66	28
21346705	58	33	21356704	40	9	21367958	14	55
21346804	58	28	21356704	56	9	21367958	66	29
21346903	58	32	21356803	40	7	21368055	66	30
21347000	44	14	21356803	56	7	21368154	66	41
21347109	12	13	21357959	38	3	21368253	66	42
21347208	44	16	21357967	38	1	21368352	66	43
21347406	10	30	21358205	38	9	21368451	10	11
21348206	32	34~36	21361407	4	63	21368451	66	44
21348503	30	7	21361704	22	36	21368550	66	45
21348503	52	7	21362108	22	2・4	21368709	66	1
21348602	30	5	21362504	10	1	21368808	66	7
21348602	52	5	21363106	34	3	21368907	66	8
21348701	30	9	21363601	26	41	21369004	66	9
21348701	52	9	21364104	18	10	21369103	66	10
21348909	2	41	21364203	18	2	21369202	66	11
21348958	52	1	21364252	18	1	21369301	66	12
21349105	30	1	21365002	2	42	21369400	66	13
21349105	52	41	21365002	68	66	21369509	66	19
21351002	58	19	21365101	68	67	21369608	66	20
21351101	58	18	21365200	68	68	21369707	66	21
21351150	58	17	21365606	2	40	21369806	66	22
21351200	58	20	21365606	68	63	21369905	66	23
21351457	58	1	21365705	68	64	21370002	66	24
21353008	6	22	21365804	68	65	21370150	68	52
21353701	26	24	21366109	66	2	21370259	68	58
21353750	26	23	21366208	66	3	21370358	68	59
21354006	26	26	21366307	66	4	21370457	68	60
21354105	26	37	21366406	2	36	21370556	68	61
21354204	26	42	21366406	66	5	21370655	68	62
21354501	26	21	21366505	66	6	21370853	66	25
21354600	28	55	21366604	66	14	21370952	66	31
21354709	28	58	21366703	66	15	21371059	66	32

# NUMERICAL INDEX OF PARTS

PART NO	PAGE	REF NO.	PART NO	PAGE	REF NO.	PART NO	PAGE	REF NO.
21371158	66	33	21378906	20	54	21438106	60	28
21371257	66	34	21379003	58	6	21438205	14	73·82
21371356	66	35	21387055	22	32·33	21438403	60	4
21371455	66	36	21387402	6	24	21438502	60	6
21371554	66	40	21387501	6	31	21438601	60	9
21371653	66	46	21387600	6	34	21438700	60	11
21371752	66	47	21387709	6	33	21441100	32	5
21371851	68	48	21387808	6	38	21441209	34	7
21371950	68	49	21387907	8	69	21441308	34	8
21372057	68	50	21388004	20	62	21441407	34	1
21372156	68	51	21388400	10	16	21442603	60	17
21372255	68	69	21388509	40	6	21442702	60	18
21372354	68	70	21388608	30	27	21442900	60	20
21372453	68	71	21388608	52	27	21443007	60	21
21372552	68	72	21389200	26	1	21443106	60	22
21372651	14	51·52	21389309	26	12	21443205	60	23
21372651	68	73	21389408	26	13	21443809	60	24
21372750	68	74	21389507	26	5	22537658	38	2
21372859	68	75	21389556	26	4	22538151	38	4
21372958	68	76	21389606	26	11	22538706	38	32
21373055	68	77	21389655	26	10	22602601	4	62
21373154	68	78	21389705	26	45	22604300	6	25
21373253	68	79	21389804	26	47	22606206	8	57
21373352	68	80	21389911	28	51	22609309	18	15
21373451	68	81	21390000	22	1·3	22609408	18	12
21373550	68	82	21390109	22	2·4	22609804	22	41·42
21373659	68	83	21390208	28	65	22611701	24	54
21373758	68	84	21390307	64	12	22611909	24	52
21373857	68	85	21390554	32	4	22617609	32	25
21373956	68	86	21390562	32	1	22618904	32	27
21374053	68	87	21402300	6	27	22619100	4	57
21374152	68	88	21405204	10	2	22620504	46	61
21374251	68	89	21406103	14	48	22650055	2	43
21374350	68	90	21406509	12	28	22651202	2	30
21374459	68	91	21406608	14	49	22656003	30	17
21374558	68	92	21408505	2	25	22656003	52	17
21374657	66	37	21408554	2	24	22656102	30	15
21374756	66	38	21413158	64	1	22656102	52	15
21374855	66	39	21413257	64	15	22814909	10	6
21378104	22	41·42	21427000	8	63	22863203	36	24
21378302	12	5	21427059	8	62	22863252	36	23
21378302	18	13	21430400	20	53	22877609	4	52
21378401	22	22·23	21437207	60	38	22901805	4	50
21378500	22	22·23	21437306	60	37	22904106	12	7
21378708	38	29	21437900	12	36	22904106	18	18

# NUMERICAL INDEX OF PARTS

PART NO	PAGE	REF NO.	PART NO	PAGE	REF NO.	PART NO	PAGE	REF NO.
22904155	12	6	40025036	60	29	40104369	26	29
22904155	18	17	40025299	58	5	40105335	52	32
22907604	12	43	40025300	58	8	40105811	52	39
22911804	18	44	40027746	10	26	40105811	56	28
22912000	18	46	40033026	12	12	40107488	52	31
22912109	18	47	40033027	12	11	40107618	42	17
22917009	26	19	40033029	12	19	40107618	52	47
22932404	36	28	40033030	12	24	40107618	56	33
22932453	36	27	40033031	12	41	40107949	14	84
22933006	64	2	40033032	12	40	40107950	4	54
22933303	64	9	40038692	8	75	40108542	14	61
22934202	36	35	40038700	8	51	40108674	2	20
22934301	36	36	40038702	8	52	40108675	2	22
22934400	36	34	40038722	42	14	40113092	38	28
22934509	36	33	40038722	52	44	40113224	6	36
22934707	36	29	40038722	56	30	40119279	26	28
22945505	38	27	40038723	42	16	40121822	32	15
22945703	38	30	40038723	52	46	40143083	6	26
22951552	2	47	40038723	56	32	40152631	2	3
22952501	30	21	40038904	56	19	40162860	24	48
22952501	52	21	40039326	12	4	40197296	6	20
23006406	32	34~36	40042611	24	45·63	40197297	6	15
23208507	4	68	40051503	44	23	A407855000A	46	63
23208556	4	67	40056364	30	24	B1104051000	2	44
23208606	4	69	40056364	52	24	B1111563000	2	34
23630007	44	52	40056365	30	23	B1132521000	2	27
23630007	46	52	40056365	52	23	B1148555000	38	11
23636202	38	5	40056366	30	22	B1210051000	6	10
26225201	12	29	40056366	52	22	B1214019000	6	32
26226209	30	19	40062388	34	5	B1214038000	44	44
26226209	52	19	40064409	44	38	B1308055000	6	35
26910059	48	2	40075553	14	81	B1310055000	6	37
26910158	48	1	40101351	26	18	B1312563000A	6	44·45
40009103	20	50	40101368	64	16	B1313055000	8	48
40016148	8	56	40101742	64	6	B1314055000	6	39
40016798	2	1	40102061	60	19	B1401518000	10	7
40018339	12	16	40102062	60	16	B1410771000	10	24
40018340	12	38	40102063	42	3	B1411521000	10	8
40018341	12	23	40102064	42	22	B1412051000	10	10
40019926	18	36	40102065	42	1	B1412051000	44	19
40023289	30	20	40102066	42	21	B1414232000	10	23
40023289	52	20	40102736	64	21	B1414555000	12	17
40024852	14	94	40103003	56	18	B1437051000	10	4
40024855	8	70	40104367	6	44·45	B1462053000	12	47
40025035	60	30	40104368	26	31	B14670530A0	12	25

# NUMERICAL INDEX OF PARTS

PART NO	PAGE	REF NO.	PART NO	PAGE	REF NO.	PART NO	PAGE	REF NO.
B1467563000	10	14	B3520586000	44	24	D3168555H0B	32	12
B1468053000	12	26	B3524552000	44	45	D8232241E00	58	21
B1501241H00	12	39	B3534155000	44	43	EA9500B0000	12	14
B1502246000	12	44	B3538112000	44	40	EA9500B0000	44	9
B1510155000	16	98	B8112220000	58	7	EA9500B0100	4	74
B1515512000	28	50	B8206012000	64	10	EA9500B0100	10	31
B152652700G	14	63	B8207012000	64	20	EA9500B0100	14	54
B152989000CA	38	7	B8209012000	64	11	EA9500B0100	28	62
B1604012000A	18	7	B8228125000	58	35	EA9500B0100	30	26
B1610512000	18	39	B9102057000	64	18	EA9500B0100	44	64
B1639051000	8	47	B9113012000	64	3	EA9500B0100	46	64
B18025120A0A	22	37	B9117563000	22	34·35	EA9500B0100	52	26
B18035150A0	22	39	B9117563000	64	14·19	EA9500B0100	56	17
B1816051000	24	50	BT0600401EB	42	30	EA9500B0100	64	17
B1817051000	22	45·63	BT0600401EB	52	49	GAK29009000	42	18
B1820563000	22	5·6	BT0600401EB	54	49	GAK29009000	54	48
B1821051000	22	7	BT0600401EB	56	35	GAK29009000	56	34
B1822563000	22	10·11	BT0600402EA	44	20	GAK29010000	42	24
B1823051000	22	12·13	CM300200001	4	49	GAK29010000	52	33
B1824563000	22	16·17	CM300200001	40	13	GAK29010000	56	20
B18305630A0	22	32·33	CM300200001	56	13	GAKA1503000	42	25
B1834512000A	22	30	CM301300001	2	39	GAKA1503000	52	36
B1905520000	6	3	CM600100201	64	13	GAKA1503000	56	23
B1906051000	6	4	CQ202000000	6	18	GAKA2302B00	42	4
B1907057000	6	5	CQ202000000	10	32	GAKA2302C00	42	23
B3120125000	32	18	CQ202000000	18	51	GTS01037000	30	25
B3125012000	32	32	CQ202000000	20	51	GTS01037000	52	25
B3125527000	32	31	CQ202000000	22	15	HK034610020	56	21
B3127051000	32	8	CQ202000000	44	60	HK034610120	28	66
B3127527000	32	7	CQ202000000	46	60	HK034610140	52	29
B3128051000	32	2	CQ252000000	12	21	HK034610180	42	27
B3128527000	32	24	CQ252000000	44	31	HK034620020	52	34
B3129053000	32	17	CQ3000000F0	12	15	HK03463000A	52	35
B3132051000	32	16	CQ303000000	6	8	HK03464000A	28	60
B31375270A0	32	21	CQ505000000	6	11	HK03464000A	30	28
B3138512000	2	32	CS0700811SH	26	34	HK03464000A	42	26
B3138527000	32	28	CS070081BSH	26	33	HK03464000A	52	28
B3139527000	32	23	CS1201010SH	20	58	HK03464000A	56	22
B3141527000	32	30	CS1201011SH	20	59	HK03464000B	34	6
B3142527000	32	22	D1455055B00	12	33	HX00123000A	4	65
B3143527000	32	20	D1456055B00	12	32	HX00123000A	8	72
B3205210000	38	10	D2112555B00	2	10	HX00123000A	34	13
B3214047000	32	11	D2427555B00B	26	32	HX002950000	30	31
B3416552000	14	77	D2430555B00	26	30	HX002950000	42	31
B3428521000	36	25	D3162555B00	38	25	HX002950000	52	38

# NUMERICAL INDEX OF PARTS

PART NO	PAGE	REF NO.	PART NO	PAGE	REF NO.	PART NO	PAGE	REF NO.
HX002950000	56	15	PA400150100	56	1	SK3241601SC	58	13
HX00295000A	40	15	PF0552170A0	42	15	SK3385001SE	42	13
HX00295000A	42	32	PF0552170A0	52	45	SK3385001SE	52	40
HX00295000A	56	26	PF0552170A0	56	31	SK3385001SE	56	29
HX00295000B	40	16	PJ301065104	30	11	SK3482500SC	58	16
HX00295000B	42	28	PJ301065104	52	11	SK3482501SE	42	33
HX00295000B	56	27	PJ304065101	40	10	SK3482501SE	54	51
HX00295000C	42	29	PJ304065101	56	10	SK3482501SE	56	37
HX00295000C	60	15	PJ304065101	60	13	SK3514000SC	60	39
HX00354000N	60	25	PS0500202KP	46	58	SL4030631SC	60	27
J1067000000	64	5	PS0600502KP	32	37	SL4040881SC	16	95
M13517B1600	10	13	PX015101000	30	12	SM1050801SR	14	72
M13517B1602	64	7	PX015101000	52	12	SM3031401SE	58	9
M40071100AA	8	65	PX015101000	60	14	SM4061001SB	42	20
M40071100AB	8	66	RC0560711KP	38	12	SM4061001SB	54	50
MAH152010A0	62	1	RE0500000K0	6	46	SM4061001SB	56	36
MAT80230T00	60	32	RE0500000K0	14	78	SM6021000TP	58	29
MAT80231T00	60	31	RE0500000K0	38	13	SM6030802TP	26	2
MDFRX2700C0	64	4	RE0500711KP	18	8	SM6040800SP	38	31
MTJVH00430A	64	23	RE0800000K0	14	89	SM6040802TP	28	57
MTSP00900B0	64	22	RE0800000K0	36	10	SM6041202TP	26	16
NM6030001SC	58	10	RE0900000K0	20	61	SM6044002TP	60	3
NM6030001SC	60	26	RO092270200	18	45	SM6051002TP	40	8
NM6040001SN	34	10	RO092270200	38	14	SM6051002TP	56	8
NM6050001SD	36	16	SB120000200	8	54	SM6051402TP	14	67
NM6060003SC	30	6	SD0380551SL	2	28	SM6051602TP	36	8
NM6060003SC	52	6	SD0470281SP	32	6	SM6052002TP	14	91
NM6080001SE	40	4	SD0600403TP	60	7	SM6052002TP	36	14
NM6080001SE	56	4	SD0600454TP	60	8	SM6061202TP	36	2
NM6080721SE	60	5	SD0640322TP	6	42	SM6061602TP	30	3
NM7040062SB	34	11	SD0640325SP	26	39	SM6061602TP	52	3
NM9050001SC	58	30	SD0640451TP	28	49	SM6061802TP	18	40
NS6080210SP	20	65	SD0640482SP	28	53	SM6062502TP	12	37
NS6110310SP	32	9	SD0640751SP	26	44	SM6062502TP	36	22
NS6110310SP	38	26	SD0700451TP	36	20	SM6082002TP	40	2
NS6110420SP	22	31	SD0720331SP	40	5	SM6082002TP	56	2
NS6110530SP	12	35	SD0720331SP	56	5	SM6082502TP	22	29
NS6110530SP	50	2	SD0800352SP	30	10	SM8050502TP	18	6
NS6150430SP	30	14	SD0800352SP	52	10	SM8050602TP	14	86
NS6150430SP	52	14	SD0800402TP	18	34	SM8050602TP	38	20
NS6680320SP	18	22	SD0800402TP	30	13	SM8050612TP	20	52
PA320150200	30	2	SD0800402TP	52	13	SM8052502TP	36	15
PA320150200	52	2	SD0800481SP	12	45	SM8060602TP	6	28
PA320200100	60	2	SD0900701TP	18	21	SM8080802TP	10	21
PA400150100	40	1	SD1000801SH	20	55	SM8080812TP	6	14

NUMERICAL INDEX OF PARTS

PART NO	PAGE	REF NO.	PART NO	PAGE	REF NO.	PART NO	PAGE	REF NO.
SM9061203SE	36	31	SS6151040SP	28	56	SS7111810TP	22	14
SQ1110401MZ	24	51	SS6151040SP	40	14	SS7120760SP	8	55
SQ1110401MZ	44	39	SS6151040SP	56	14	SS7120760SP	30	16
SQ1150451MZ	44	27	SS6151210SP	4	72	SS7120760SP	46	55
SS2090710TP	2	31	SS6151220SP	60	33	SS7120760SP	52	16
SS2110920TP	2	37	SS6151440SP	58	2	SS7150740SP	16	96
SS3090610SP	44	17	SS6151780SP	12	27	SS7150910TP	2	19
SS4110515SP	2	35	SS6151812TP	26	36	SS7151210SP	30	8
SS4110615SP	44	41	SS6151920SP	12	30	SS7151210SP	52	8
SS4110815SP	2	73	SS6152440SP	10	29	SS7151610SP	62	4
SS4110815SP	4	73	SS6153040SP	22	27	SS7621040SP	2	7
SS4110815SP	6	29	SS6153040SP	58	22	SS8110422TP	24	55
SS4110815SP	44	46	SS6580752TP	20	57	SS8110422TP	26	20
SS4110815SP	60	12	SS6661110SP	8	76	SS8110510SP	26	35
SS4111215SP	2	2	SS7060610SP	26	15	SS8111010TP	6	43
SS4120615SP	30	18	SS7090510SP	36	26	SS8111010TP	12	31
SS4120615SP	52	18	SS7090520SP	32	29	SS8150510TP	22	43-44
SS4150915SP	4	76	SS7090520TP	2	33	SS8150710SP	12	93
SS4150915SP	44	37	SS7090610SP	18	30	SS8150710SP	14	93
SS5090610SP	2	21	SS7090910SP	10	9	SS8150710TP	6	49-50
SS5110740TP	58	4	SS7090910TP	18	32	SS8150710TP	8	49-50
SS6081810SP	20	66	SS7091410SP	38	15	SS8150822TP	6	64
SS6090410TP	10	12	SS7110510SP	12	20	SS8150822TP	8	64
SS6090520SP	38	16	SS7110510SP	44	12	SS8150822TP	18	28
SS6090620SP	38	22	SS7110570SP	34	4	SS8151150SP	24	64
SS6090630SP	2	38	SS7110710SL	60	35	SS8151150TP	10	5
SS6090810SP	22	19	SS7110710SP	6	23	SS8151150TP	18	14
SS6090910TP	14	50	SS7110830SP	10	17	SS8151150TP	22	40
SS6091022TP	10	19	SS7110830SP	14	80	SS8151550SP	8	59
SS6110480SP	44	10	SS7110830SP	44	33	SS8660530TP	8	49-50
SS6110630TP	14	64	SS7110840SP	30	29	SS8660530TP	22	53
SS6110710TP	14	53	SS7110840SP	52	30	SS8660530TP	24	53
SS6110710TP	28	59	SS7110840SP	58	3	SS8660610TP	12	8
SS6110810TP	38	18	SS7110840SP	60	1	SS8660610TP	18	60
SS6111010TP	44	47	SS7110910TP	10	15	SS8660610TP	20	60
SS6111140SP	4	70	SS7110910TP	12	42	SS8660612TP	6	40
SS6111140SP	26	43	SS7110910TP	18	25	SS8660612TP	12	3
SS6111210SP	8	68	SS7110910TP	32	33	SS8660612TP	28	52
SS6111610SP	18	37	SS7110910TP	34	2	SS8660670SP	22	46
SS6111610SP	60	10	SS7111120SP	26	22	SS8660810TP	6	78
SS6120930TP	20	63	SS7111120TP	14	74	SS8660810TP	8	78
SS6121610TP	18	16	SS7111410SP	18	11	SS8660810TP	24	49
SS6121610TP	26	48	SS7111410SP	60	34	SS8661030SP	8	53
SS6121610TP	28	48	SS7111810SP	30	32	SS9151440CP	18	4
SS6121860SP	18	43	SS7111810SP	52	43	TA0550604R0	2	59

# NUMERICAL INDEX OF PARTS

PART NO	PAGE	REF NO.
TA0550604R0	4	59
TA0620504R0	4	75
TA0750704R0	4	48
TA0750704R0	8	73
TA0750704R0	12	10
TA0800704R0	58	31
TA1050504R0	2	45
TA1250504R0	2	15-77
TA1250504R0	4	15-77
TA1450404R0	2	9
WP0320501SC	26	3
WP0320501SC	58	12
WP0371016SD	22	18
WP0430800SC	26	17
WP0450801SD	8	67
WP0450801SD	46	62
WP0480856SP	60	36
WP0482086SD	12	34
WP0501016SD	30	30
WP0501016SD	52	42
WP0501046SC	12	18
WP0501046SC	34	12
WP0621016SD	18	5
WP0621016SD	62	2
WP0641601SD	30	4
WP0641601SD	52	4
WP0651056SD	28	64
WP0850002SP	22	28
WS0610002KN	62	3
WS0610002KP	28	61
WT0530002KS	4	61