

MODEL : LU-1510N-7/LU-1510NA-7

List No : 1338-12

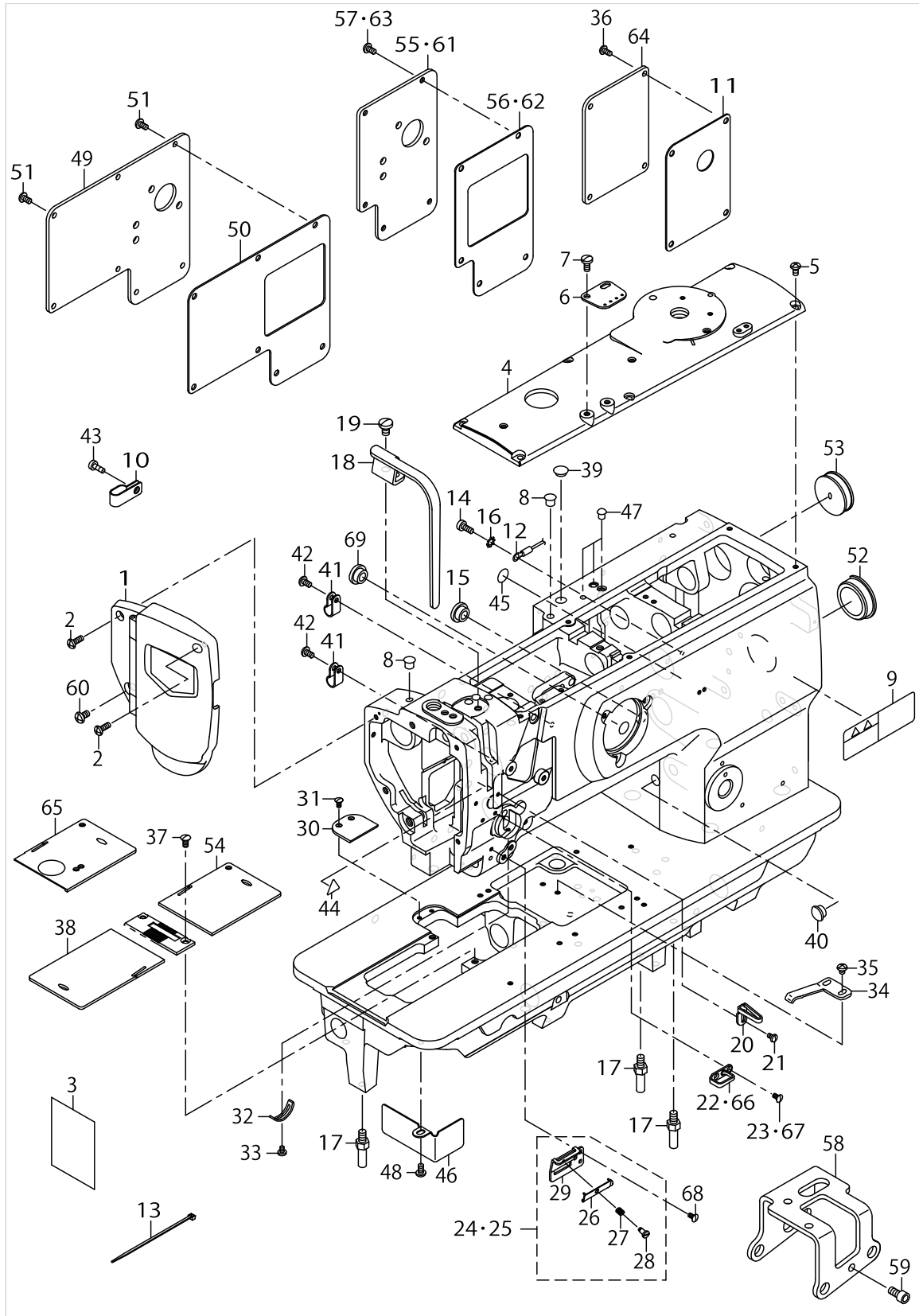
PARTS LIST

Published:11/30/2017

CONTENTS

FRAME & MISCELLANEOUS COVER COMPONENTS	1
UPPER SHAFT,LOWER SHAFT DRIVING & BALANCE COMPONENTS	5
NEEDLE BAR ROCKING COMPONENTS	9
PRESSURE ADJUSTING & UPPER FEED MECHANISM COMPONENTS (1).....	11
PRESSURE ADJUSTING & UPPER FEED MECHANISM COMPONENTS (2).....	15
FEED MECHANISM COMPONENTS.....	17
HOOK SHAFT & LOWER SHAFT COMPONENTS	21
THREAD CUTTING COMPONENTS.....	25
AUTOMATIC BACK COMPONENTS.....	29
THREAD RELEASE COMPONENTS.....	31
THREAD TENSION COMPONENTS (FOR LU-1510N-7).....	33
THREAD TENSION COMPONENTS (FOR LU-1510NA-7).....	35
LOWER THREAD WINDER MECHANISM COMPONENTS	37
AUTOMATIC PRESSER LIFTING MECHANISM COMPONENTS	39
AIR MECHANISM COMPONENTS (FOR LU-1510N-7)	41
AIR MECHANISM COMPONENTS (FOR LU-1510NA-7).....	43
LUBRICATION COMPONENTS	45
GAUGE COMPONENTS.....	49
HOOK COMPONENTS.....	51
BELT COVER & OIL RESERVOIR COMPONENTS.....	53
DL MECHANISM (OPTION) COMPONENTS	55
THREAD STAND COMPONENTS.....	57
OPTIONAL PARTS (ADDITIONAL SPRING FOR PRESSER BAR) COMPONENTS.....	59
SUSPENSION SQUARE (OPTION) COMPONENTS.....	61
ACCESSORIES PARTS COMPONENTS	63
OPTIONAL PARTS COMPONENTS (1).....	65
OPTIONAL PARTS COMPONENTS (2).....	67
LIST FOR INFORMATION OF CHANGE.....	69
HOW TO MAKE USE OF THIS PARTS LIST	70

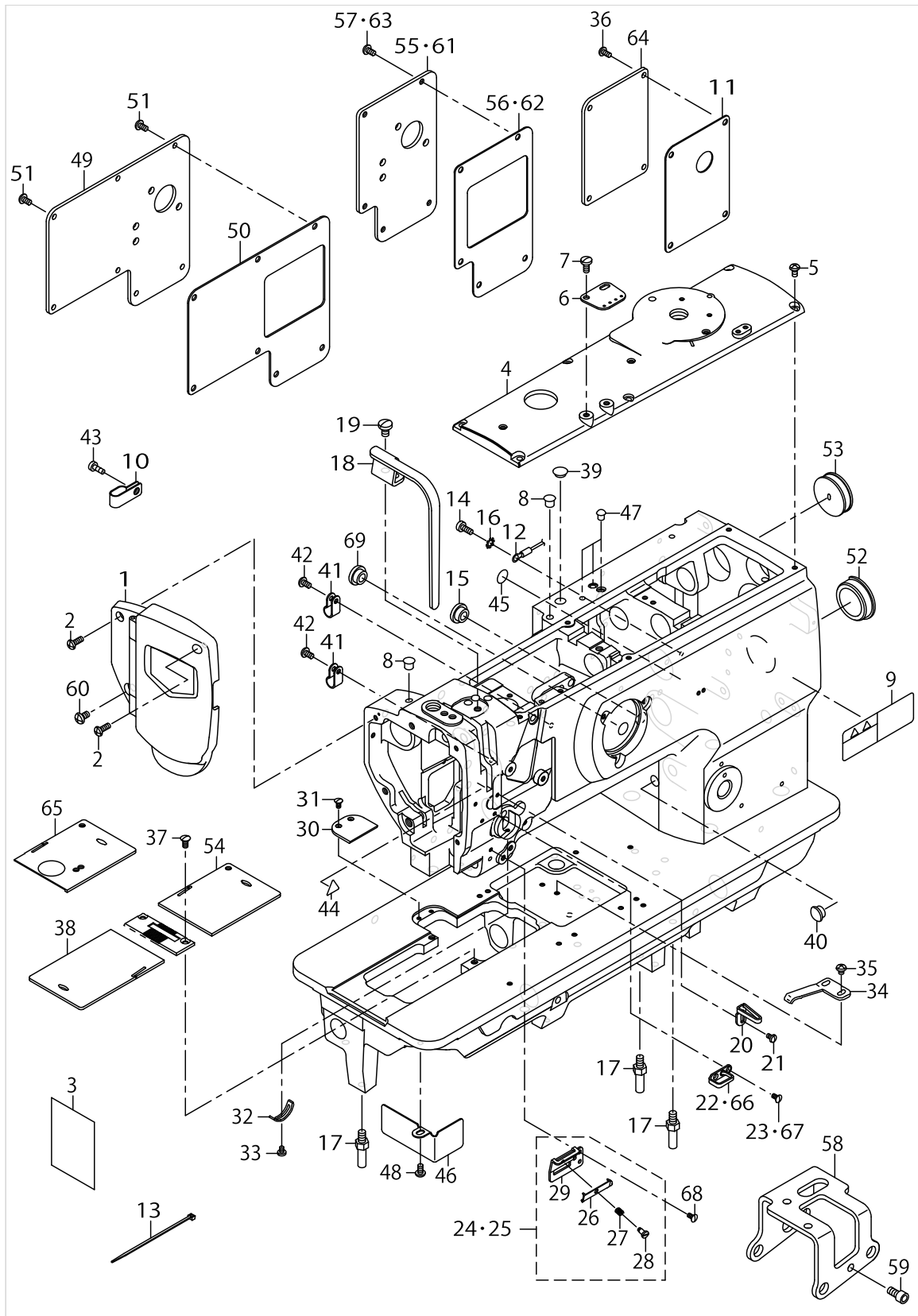
FRAME & MISCELLANEOUS COVER COMPONENTS



FRAME & MISCELLANEOUS COVER COMPONENTS

No.	Parts No.	Parts name	Remarks	Level	Cons	Qty
1	40016798	FACE PLATE ASM.				1
2	SS4111215SP	SCREW 11/64-40 L=12				2
3	40152631	LUBRICATION SUPPLEMENT				1
4	21331301	TOP COVER B				1
5	SS4110815SP	SCREW 11/64-40 L=8				6
6	21355904	ARM THREAD GUIDE				1
7	SS7621040SP	SCREW 3/16-32 L=9.5				2
8	TA0750704R0	RUBBER PLUG				2
9	CM301300001	SAFETY LABEL				1
10	D2112555B00	CORD HOLDER LARGE				1
11	21437306	WINDOW PLATE E PACKING	FOR LU-1510NA-7			1
12	22951552	GROUND WIRE ASM.				1
13	EA9500B0100	CABLE BAND				1
14	SS6111140SP	SCREW 11/64-40 L=11				1
15	TA1250504R0	RUBBER PLUG				1
16	WT0530002KS	TOOTHED WASHER D=5.3				1
17	22602601	BED SCREW STUD				3
18	21331608	BALANCE COVER				1
19	SS7150910TP	SCREW 15/64-28 L=9				1
20	40125273	THREAD_GUIDE				1
21	SS5090610SP	SCREW 9/64-40 L=6				1
22	40108675	FRAME THREAD GUIDE				1
23	SS2090710TP	SCREW 9/64-40 L=7.2				1
24	21408554	THREAD GUIDE ASM.				1
25	40039838	THREAD GUIDE ASM.	FOR LU-1510NA-7			1
26	17912106	NEEDLE THREAD PRESSER PLATE		*		1
27	B1132521000	THREAD PRESSER PLATE SPRING		*		1
28	SD0380551SL	HINGE SCREW D=3.80 H=5.5		*		1
29	21408505	THREAD GUIDE PLATE		*		1
30	22651202	AUXILIARY COVER				1
31	SS2090710TP	SCREW 9/64-40 L=7.2				2
32	B3138512000	TAKE-UP SPRING ADJUSTING PLATE				1
33	SS7090520TP	SCREW 9/64-40 L=4.5				1
34	B1111563000	BED SLIDE SPRING				1
35	SS4110515SP	SCREW 11/64-40 L=5				2
36	SS4110815SP	SCREW 11/64-40 L=8	FOR LU-1510NA-7			4
37	SS2110920TP	SCREW 11/64-40 L=8.5				2
38	21349600	SLIDING PLATE (LEFT)				1
39	TA1250504R0	RUBBER PLUG				1
40	TA1050504R0	RUBBER PLUG				1
41	HX00123000A	CABLE CLIP				2
42	SS4110815SP	SCREW 11/64-40 L=8				2
43	SS6111140SP	SCREW 11/64-40 L=11				1
44	CM300200001	ATTENTION SEAL				1
45	22901805	GROUND MARK				1
46	21332200	OIL SHIELD (LEFT)				1
47	TA0550604R0	RUBBER PLUG				3

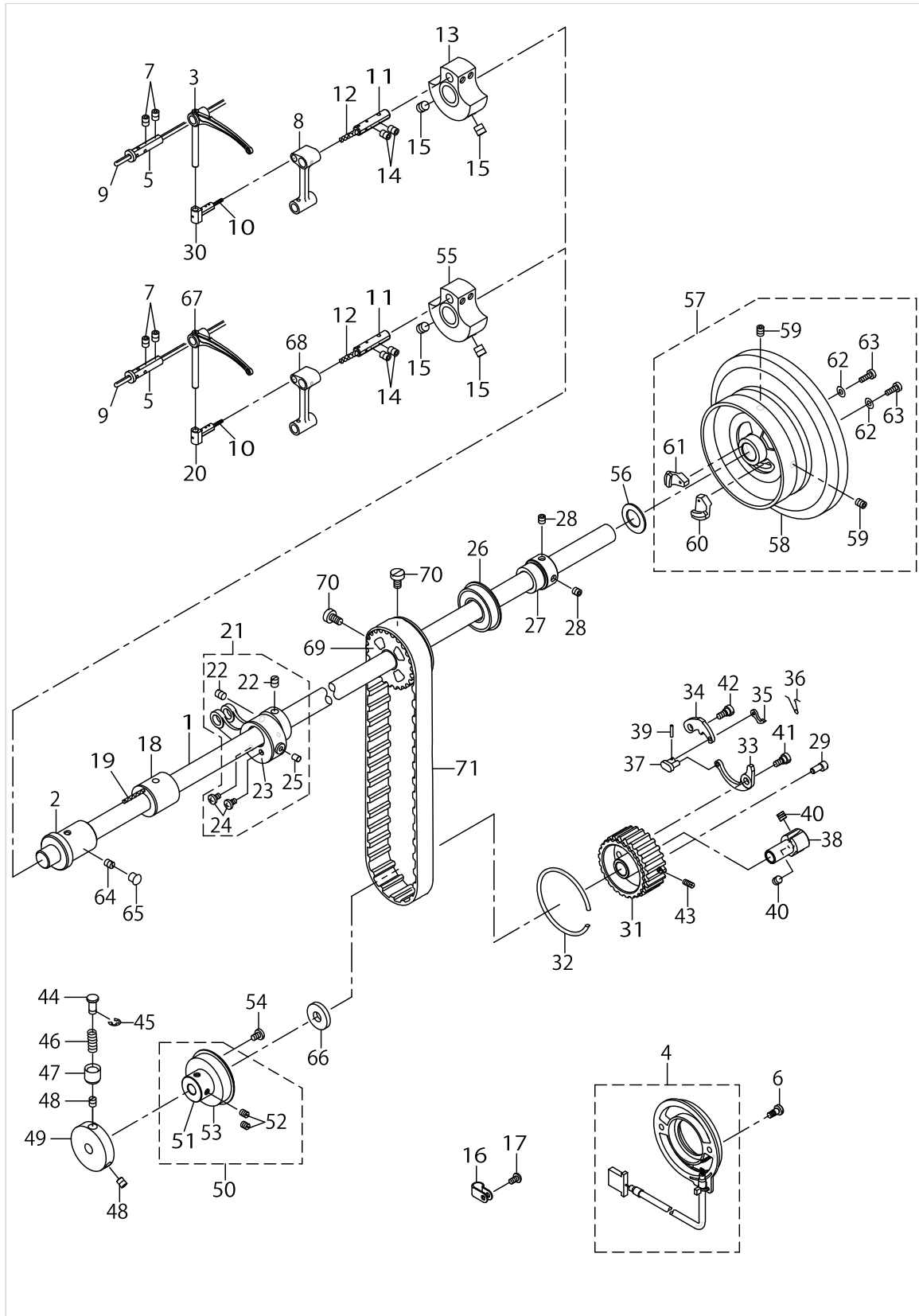
FRAME & MISCELLANEOUS COVER COMPONENTS



FRAME & MISCELLANEOUS COVER COMPONENTS

No.	Parts No.	Parts name	Remarks	Level	Cons	Qty
48	SS4110815SP	SCREW 11/64-40 L=8				1
49	40107950	WINDOW PLATE C				1
50	21332101	WINDOW PLATE PACKING C				1
51	SS4110815SP	SCREW 11/64-40 L=8				7
52	22619100	CAP				1
53	10201200	RUBBER PLUG				1
54	21349808	THREAD CUTTING SLIDING PLATE				1
55	21348909	WIDOW PLATE D	OPTIONAL PARTS (FOR LU-1510N-7)			1
56	21332002	WINDOW PLATE PACKING B	OPTIONAL PARTS (FOR LU-1510N-7)			1
57	SS4110815SP	SCREW 11/64-40 L=8	OPTIONAL PARTS (FOR LU-1510N-7)			5
58	21343207	KNEE LIFTER SHAFT BASIS				1
59	SM6061202TP	SCREW M6 L=12				3
60	SS4150915SP	SCREW 15/64-28 L=9				1
61	21348909	WIDOW PLATE D	FOR LU-1510NA-7			1
62	21332002	WINDOW PLATE PACKING B	FOR LU-1510NA-7			1
63	SS4110815SP	SCREW 11/64-40 L=8	FOR LU-1510NA-7			5
64	21437108	WINDOW PLATE E	FOR LU-1510NA-7			1
65	40092832	THREAD CUTTING SLIDING PLATE(RIGHT) ASM.	OPTIONAL PARTS			1
66	22603112	THREAD GUIDE	FOR LU-1510NA-7			1
67	SS2090710TP	SCREW 9/64-40 L=7.2	FOR LU-1510NA-7			1
68	SS2090710TP	SCREW 9/64-40 L=7.2				1
69	10622009	COAD BUSH				1

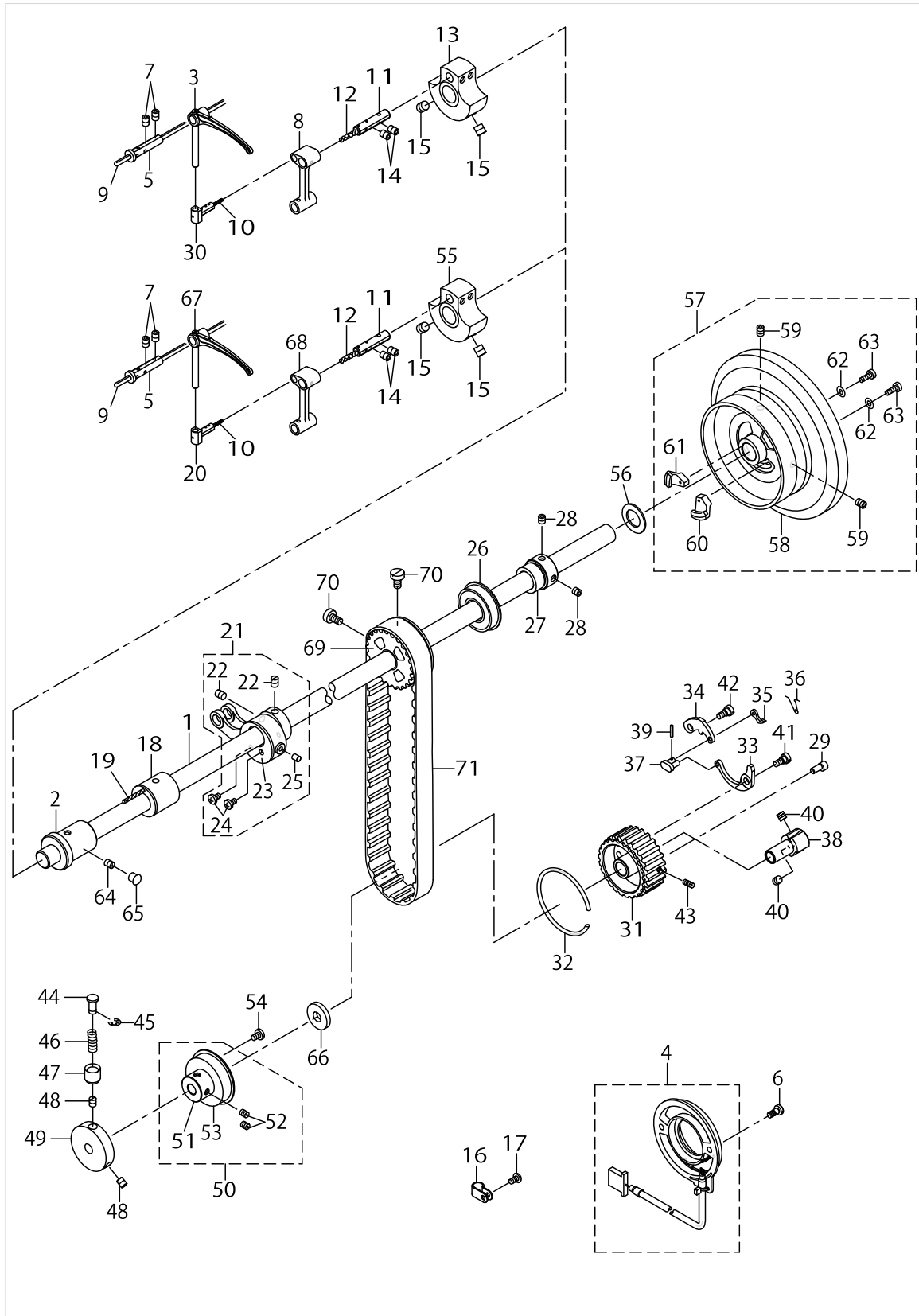
UPPER SHAFT, LOWER SHAFT DRIVING & BALANCE COMPONENTS



UPPER SHAFT,LOWER SHAFT DRIVING & BALANCE COMPONENTS

No.	Parts No.	Parts name	Remarks	Level	Cons	Qty
1	21332705	UPPER SHAFT				1
2	21333000	UPPER SHAFT FRONT METAL				1
3	21333208	BALANCE				1
4	40024855	CONTAIN SYNCHRO ASM.				1
5	B1906051000	TAKE-UP LEVER PIN				1
6	10604809	SCREW				2
7	SS8150822TP	SCREW 15/64-28 L=8				2
8	21339106	NEEDLE BAR CRANK ROD				1
9	CQ303000000	OIL WICK				0.45
10	CQ202000000	OIL WICK				0.03
11	B1210051000	NEEDLE BAR CRANK PIN				1
12	CQ505000000	OIL WICK				0.03
13	21332507	COUNTER WEIGHT (A)(36MM)				1
14	SS8150822TP	SCREW 15/64-28 L=8				2
15	SM8080812TP	SCREW M8X8				2
16	HX00123000A	CABLE CLIP				1
17	SS4110815SP	SCREW 11/64-40 L=8				1
18	21333109	UPPER SHAFT INNER METAL				1
19	CQ202000000	OIL WICK				0.15
20	B1907526000	TAKE-UP LEVER THRUST PIN	FOR LU-1510NA-7			1
21	40197296	HORIZONTAL_FEED_ROD_ASM				1
22	SS8660810TP	SCREW 1/4-40 L=8		*		2
23	21353008	HORIZONTAL FEED CAM COVER		*		1
24	SS7110710SP	SCREW 11/64-40 L=7		*		2
25	21387402	FELT		*		1
26	40143083	BEARING				1
27	21402300	UPPER SHAFT BEARING HOOK				1
28	SM8060602TP	SCREW M6X6				2
29	21387907	ADJUSTING PIN (1.2)				1
30	21333307	BALANCE SLIDE SHAFT				1
31	21387501	LOWER SPROCKET				1
32	B1214019000	SPROCKET RING				1
33	21387709	SAFETY CLUTCH SPRING				1
34	21387600	SAFETY CLUTCH HOOK				1
35	B1308055000	SAFETY CLUTCH COUNTER-HOOK				1
36	40113224	COUNTER HOOK SPRING				1
37	B1310055000	SAFETY CLUTCH SMALL LINK				1
38	21387808	SAFETY BASE				1
39	B1314055000	SAFETY CLUTCH SMALL LINK PIN				1
40	SS8660612TP	SCREW 1/4-40 L=6				2
41	SD0640322TP	HINGE SCREW D=6.35 H=3.2				1
42	SD0640322TP	HINGE SCREW D=6.35 H=3.2				1
43	SS8111010TP	SCREW 11/64-40 L=9.5				1
44	40104367	SAFETY CLUTCH PUSH BUTTON				1
45	RE0500000K0	E-RING 5				1
46	B1639051000	SPRING				1
47	B1313055000	SAFETY CLUTCH KNOB SLEEVE				1

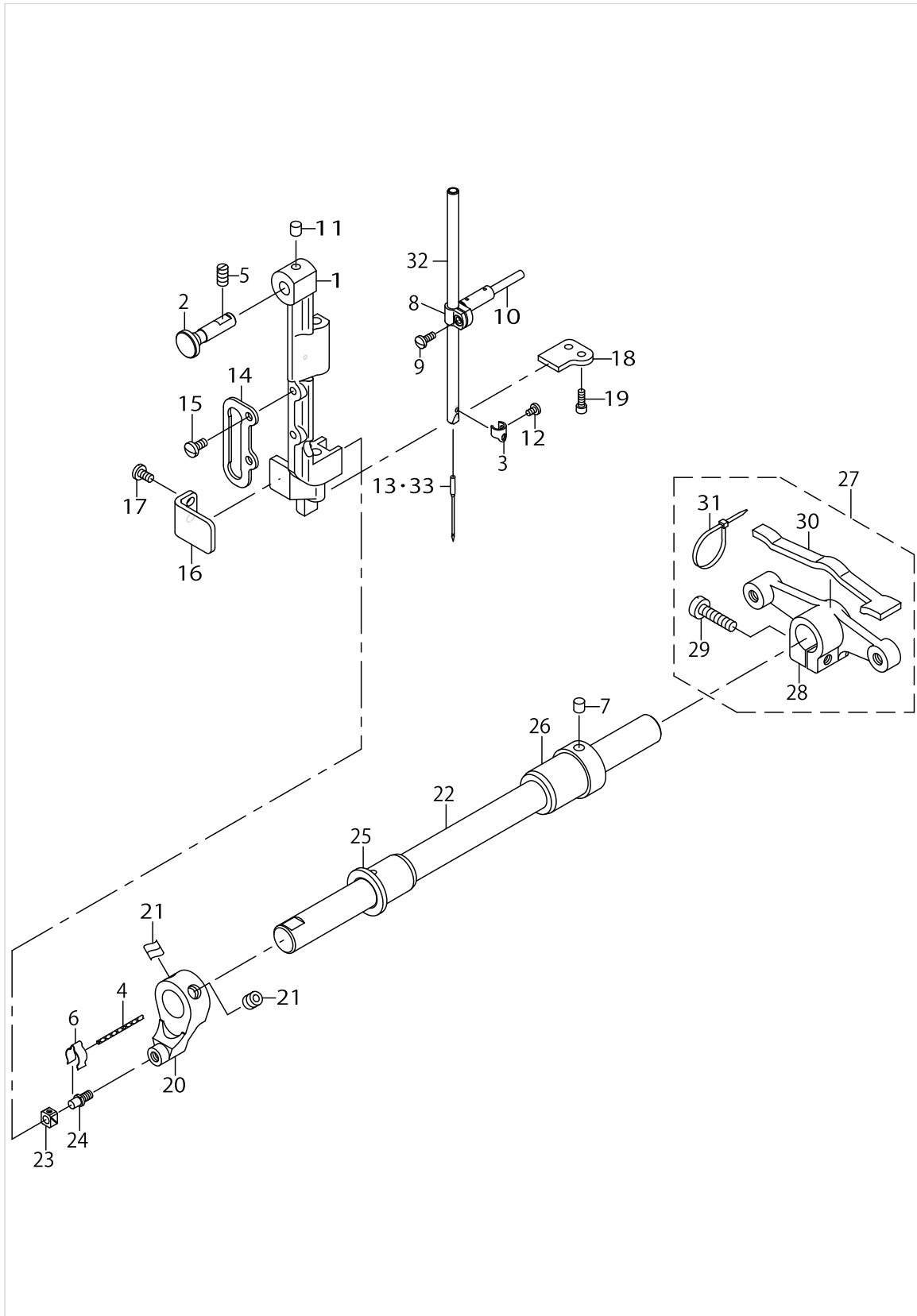
UPPER SHAFT, LOWER SHAFT DRIVING & BALANCE COMPONENTS



UPPER SHAFT,LOWER SHAFT DRIVING & BALANCE COMPONENTS

No.	Parts No.	Parts name	Remarks	Level	Cons	Qty
48	SS8660530TP	SCREW 1/4-40 L=4.5				2
49	21333901	SAFETY CLUTCH DISC				1
50	40038700	THRUST COLLAR ASM.				1
51	40038702	THRUST COLLAR		*		1
52	SS8661030SP	SCREW 1/4-40 L=10		*		2
53	SB120000200	BEARING 20X42		*		1
54	SS7120760SP	SCREW 3/16-28 L=7.0				2
55	21332606	COUNTER WEIGHT (B)(38MM)	FOR LU-1510NA-7			1
56	22606206	SPACER Y				1
57	21427059	FLYWHEEL				1
58	21427000	FLYWHEEL		*		1
59	SS8150822TP	SCREW 15/64-28 L=8		*		2
60	M40071100AA	MAGNET FITTING BASE A ASM.		*		1
61	M40071100AB	MAGNET FITTING BASE B ASM.		*		1
62	WP0450801SD	WASHER 4.5X10X0.8		*		2
63	SS6111210SP	SCREW 11/64-40 L=12		*		2
64	SS8150710TP	SCREW 15/64-28 L=7				1
65	TA0750704R0	RUBBER PLUG				1
66	40016148	THRUST COLLAR B WASHER				1
67	40041734	THREAD TAKE-UP LEVER	FOR LU-1510NA-7			1
68	B1408051000	NEEDLE BAR CRANK ROD	FOR LU-1510NA-7			1
69	40038692	UPPER SPROCKET				1
70	SS6661110SP	SCREW 1/4-40 L=11				2
71	22604300	TIMING BELT				1

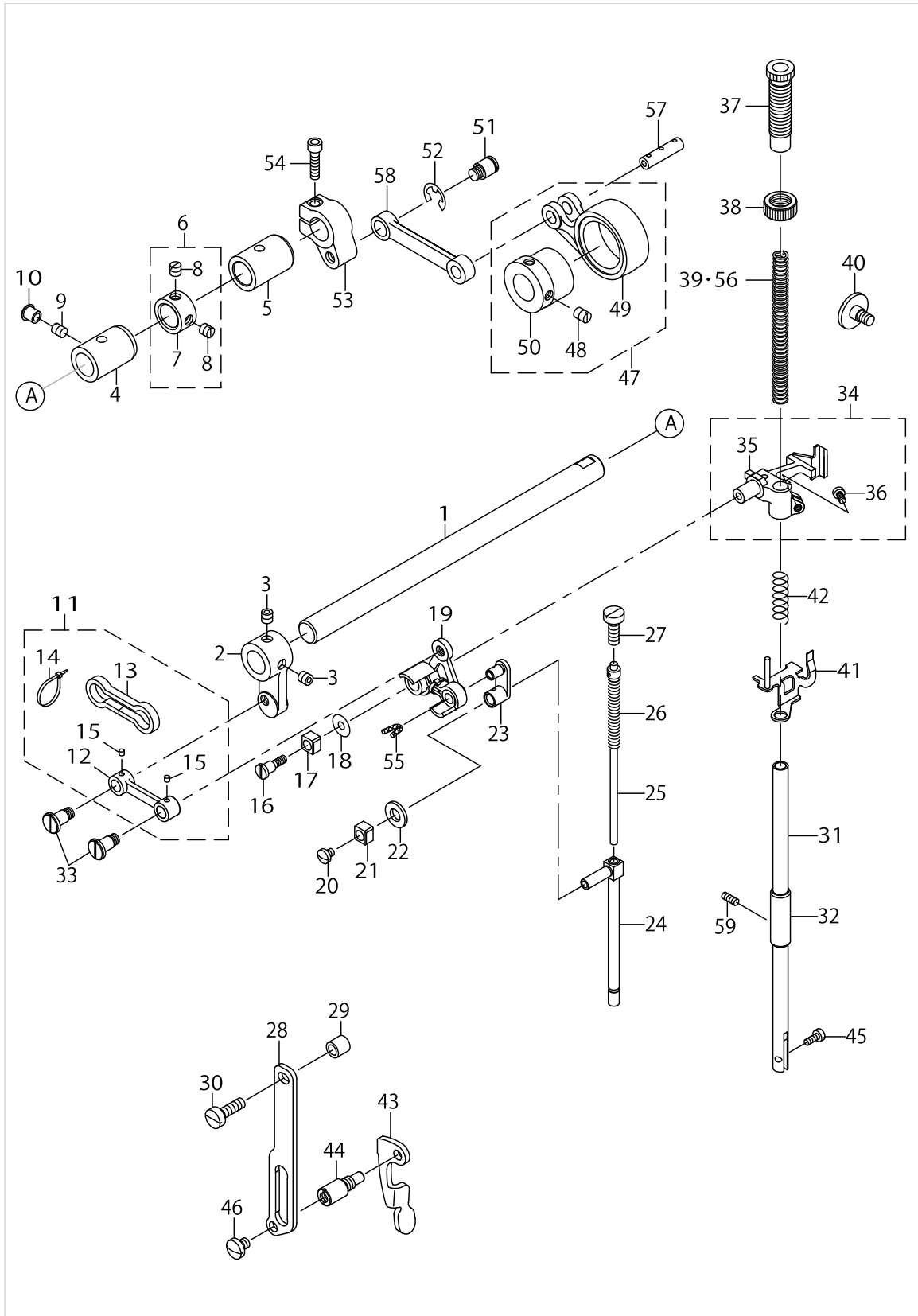
NEEDLE BAR ROCKING COMPONENTS



NEEDLE BAR ROCKING COMPONENTS

No.	Parts No.	Parts name	Remarks	Level	Cons	Qty
1	B1420563000	NEEDLE BAR FRAME				1
2	21405204	HINGE STUD				1
3	21338504	NEEDLE BAR THREAD RACK				1
4	CQ202000000	OIL WICK				0.05
5	SS8151150TP	SCREW 15/64-28 L=10.5				1
6	B1437051000	OIL WICK RETAINER				1
7	21387402	FELT				1
8	B1411053000	NEEDLE BAR CONNECTION				1
9	SS7090910SP	SCREW 9/64-40 L=8.5				1
10	B1412051000	FELT				1
11	22814909	FELT				1
12	SS7080510TP	SCREW 1/8-44 L=4.5				1
13	M13517B1600	NEEDLE 135X17 #160				1
14	B1467563000	UPPER FEED BAR GUIDE				1
15	SS7110910TP	SCREW 11/64-40 L=8.5				2
16	21388400	ROCKING BASE GUIDE				1
17	SS7110830SP	SCREW 11/64-40 L=7.5				2
18	21338603	ROCKING BASE GUIDE (B)				1
19	SS6091022TP	SCREW				2
20	21338801	ROCKING FRONT ARM				1
21	SM8080802TP	SCREW				2
22	21338900	ROCKING SHAFT				1
23	B1414232000	SQUARE BLOCK				1
24	B1410771000	STUD				1
25	21339304	ROCKING SHAFT FRONT METAL				1
26	40027746	BUSHING REAR				1
27	21339056	ROCKING REAR ARM ASM.				1
28	21339007	ROCKING REAR ARM		*		1
29	SS6152440SP	SCREW 15/64-28 L=23.5		*		1
30	21347406	ROCKING REAR ARM FELT		*		1
31	EA9500B0100	CABLE BAND		*		2
32	21338405	NEEDLE BAR THREAD RACK				1
33	M13517B1200	NEEDLE 135X17 #120	FOR LU-1510NA-7			1

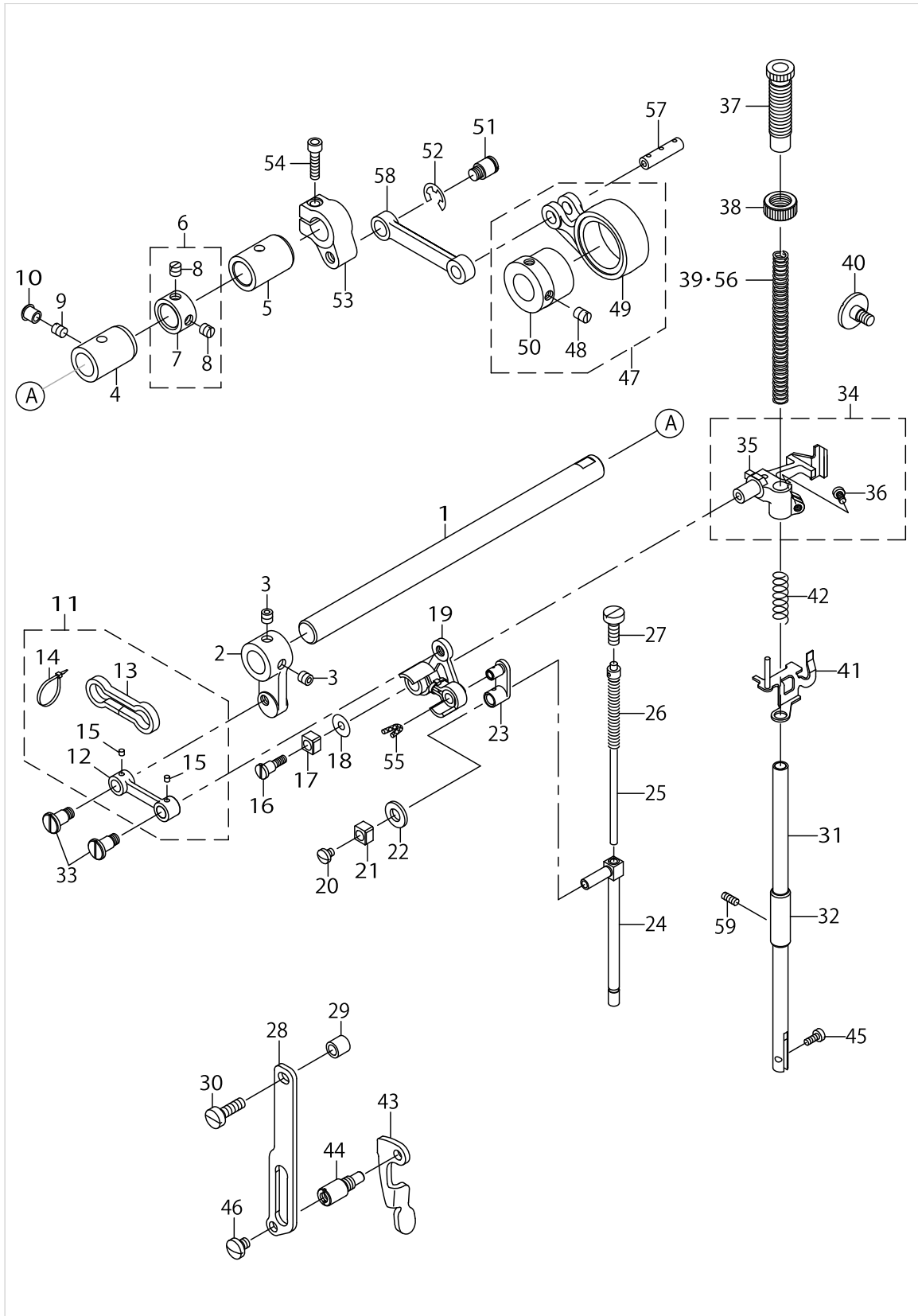
PRESSURE ADJUSTING & UPPER FEED MECHANISM COMPONENTS (1)



PRESSURE ADJUSTING & UPPER FEED MECHANISM COMPONENTS (1)

No.	Parts No.	Parts name	Remarks	Level	Cons	Qty
1	21340401	UPPER FEED SHAFT				1
2	21340500	UPPER FEED FRONT ARM				1
3	SS8660612TP	SCREW 1/4-40 L=6				2
4	40039326	FRONT METAL				1
5	21378302	FEED ROCK SHAFT METAL				1
6	22904155	MAIN SHAFT THRUST COLLAR ASM.				1
7	22904106	MAIN SHAFT THRUST COLLAR		*		1
8	SS8660610TP	SCREW 1/4-40 L=6		*		2
9	SS8150710TP	SCREW 15/64-28 L=7				1
10	TA0750704R0	RUBBER PLUG				1
11	40033027	UPPER FEED LINK ASM.				1
12	40033026	UPPER FEED LINK		*		1
13	21347109	FELT		*		1
14	EA9500B0000	CABLE BAND		*		2
15	CQ3000000F0	OIL FELT		*		0.0028
16	40018339	SCREW				1
17	B1414555000	SLIDE BLOCK				1
18	WP0501046SC	WASHER 5X13X1				1
19	40033029	TRIANGULAR LEVER ASM.				1
20	SS7110510SP	SCREW 11/64-40 L=5				1
21	B1414555000	SLIDE BLOCK				1
22	10509701	FELT				1
23	40018341	WALKING BAR DRIVING LINK				1
24	40033030	WALKING BAR A				1
25	B14670530A0	WALKING BAR ASM.				1
26	B1468053000	WALKING BAR SPRING				1
27	SS6151780SP	SCREW 15/64-28 L=17.0				1
28	21406509	UPPER FEED GUIDE PLATE				1
29	26225201	ROLLER				1
30	SS6151920SP	SCREW 15/64-28 L=19.0				1
31	B1501241H00	PRESSER BAR				1
32	B1510155000	PRESSER BAR LOWER BUSHING				1
33	40018340	SCREW				2
34	40033032	PRESSER BAR HOLDER A ASM.				1
35	40033031	PRESSER BAR HOLDER A		*		1
36	SS7110910TP	SCREW 11/64-40 L=8.5		*		1
37	21340906	PRESSER ADJUSTING SCREW				1
38	22907604	PRESSER SPRING REGULATOR NUT				1
39	B1502246000	PRESSER SPRING				1
40	SD0800481SP	HINGE SCREW D=8 H=4.9				1
41	21341151	THREAD RELEASE HOLDING PLATE				1
42	B1462053000	THREAD RELEASE SPRING				1
43	21406103	PRESSER LIFTER LEVER				1
44	21406608	GUIDE PLATE SPACER				1
45	SS6090910TP	SCREW 9/64-40 L=9				1
46	SS7150740SP	SCREW 15/64-28 L=7				1
47	40075553	ECCENTRIC ROD(SET)				1

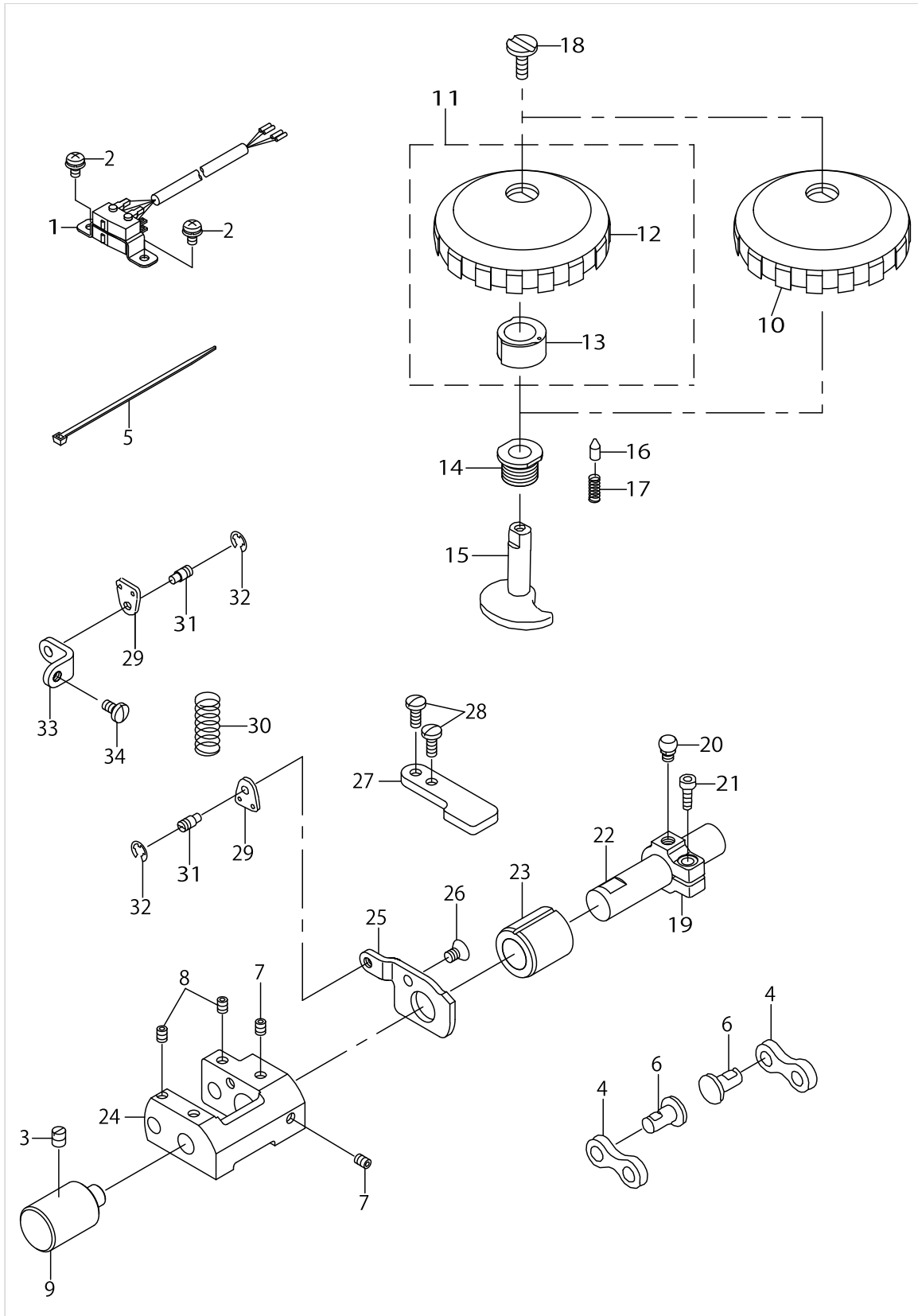
PRESSURE ADJUSTING & UPPER FEED MECHANISM COMPONENTS (1)



PRESSURE ADJUSTING & UPPER FEED MECHANISM COMPONENTS (1)

No.	Parts No.	Parts name	Remarks	Level	Cons	Qty
48	SS8660810TP	SCREW 1/4-40 L=8		*		2
49	10713758	UPPER FEED CAM ROD ASM.		*		1
50	10713600	UPPER FEED CUM		*		1
51	21048707	HINGE SCREW				1
52	RE0800000K0	E-SHAPED SNAP RING (8MM)				1
53	21340302	UPPER FEED REAR ARM (B)				1
54	SM6052002TP	SCREW M5 L=20				1
55	CQ252000000	OIL WICK				0.02
56	B1510141H00	PRESSER SPRING	FOR LU-1510NA-7			1
57	10713808	CONNECTION LINK PIN B				1
58	21340005	UPPER FEED LINK (B)				1
59	SS8111010TP	SCREW 11/64-40 L=9.5				1

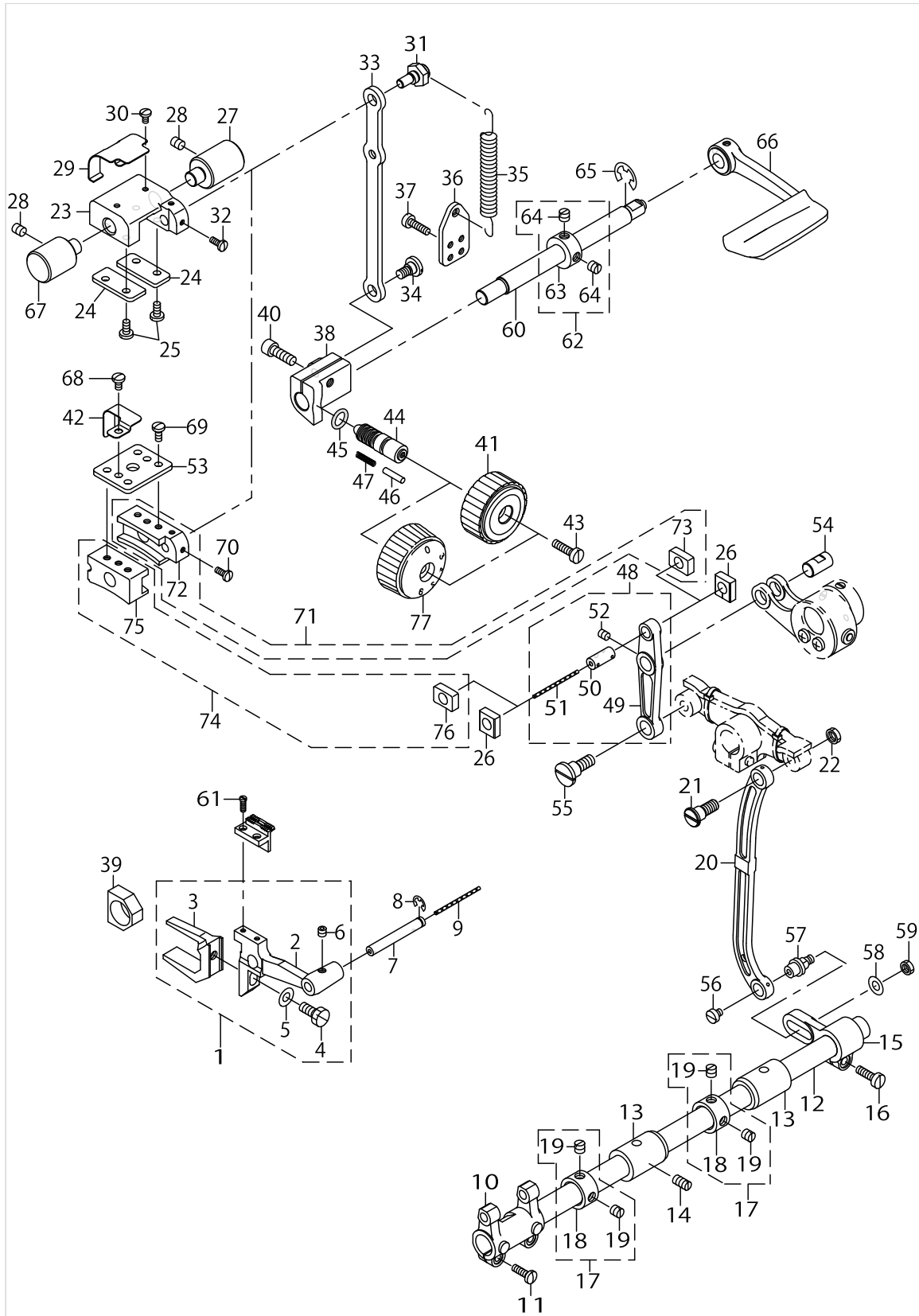
PRESSURE ADJUSTING & UPPER FEED MECHANISM COMPONENTS (2)



PRESSURE ADJUSTING & UPPER FEED MECHANISM COMPONENTS (2)

No.	Parts No.	Parts name	Remarks	Level	Cons	Qty
1	40024852	VERTICAL DETECTOR SWITCH ASM.	FOR LU-1510N-7			1
2	SL4040881SC	SCREW M4 L=8	FOR LU-1510N-7			2
3	SS8150710SP	SCREW 15/64-28 L=7				1
4	40107949	CONNECTION LINK B				2
5	EA9500B0100	CABLE BAND	FOR LU-1510N-7			1
6	10714608	CONNECTION LINK B SUPPORT PIN				2
7	SM8050602TP	SCREW M5 L=6				2
8	SM8050602TP	SCREW M5 L=6				2
9	21337803	FEED ADJUSTING BASE SUPPORT				1
10	10774305	VERTICAL DIAL	FOR LU-1510NA-7			1
11	10774354	UPPER AND LOWER DIAL ASM.	FOR LU-1510N-7			1
12	10774305	VERTICAL DIAL	FOR LU-1510N-7	*		1
13	10774404	VERTICAL CAM	FOR LU-1510N-7	*		1
14	10715100	VERTICAL DIAL SHAFT BUSHING				1
15	40108542	VERTICAL ADJUSTING CAM				1
16	10715704	VERTICAL DIAL PIN				1
17	B152652700G	SPRING				1
18	SS6110630TP	SCREW 11/64-40 L=6				1
19	21341607	VERTICAL ADJUSTING ARM				1
20	10715308	PIN				1
21	SM6051402TP	SCREW M5X0.8 L=14				1
22	21341508	VERTICAL CHANGE BASE SHAFT				1
23	10718203	FEED SHAFT FRONT METAL				1
24	10714202	VERTICAL CHANGE BELT				1
25	21339601	UPPER FEED STOPPER PLATE (A)				1
26	SM1050801SR	SCREW M5 L=8				1
27	21339700	UPPER FEED STOPPER PLATE (B)				1
28	SS7111120TP	SCREW				2
29	10713501	SPRING HOOK				2
30	10716504	VERTICAL SHAFT SPRING				1
31	B3416552000	CONNECTING ROD HINGE SCREW				2
32	RE0500000K0	E-RING				2
33	21339809	UPPER FEED DOG SPRING HOOK				1
34	SS7110830SP	SCREW 11/64-40 L=7.5				1

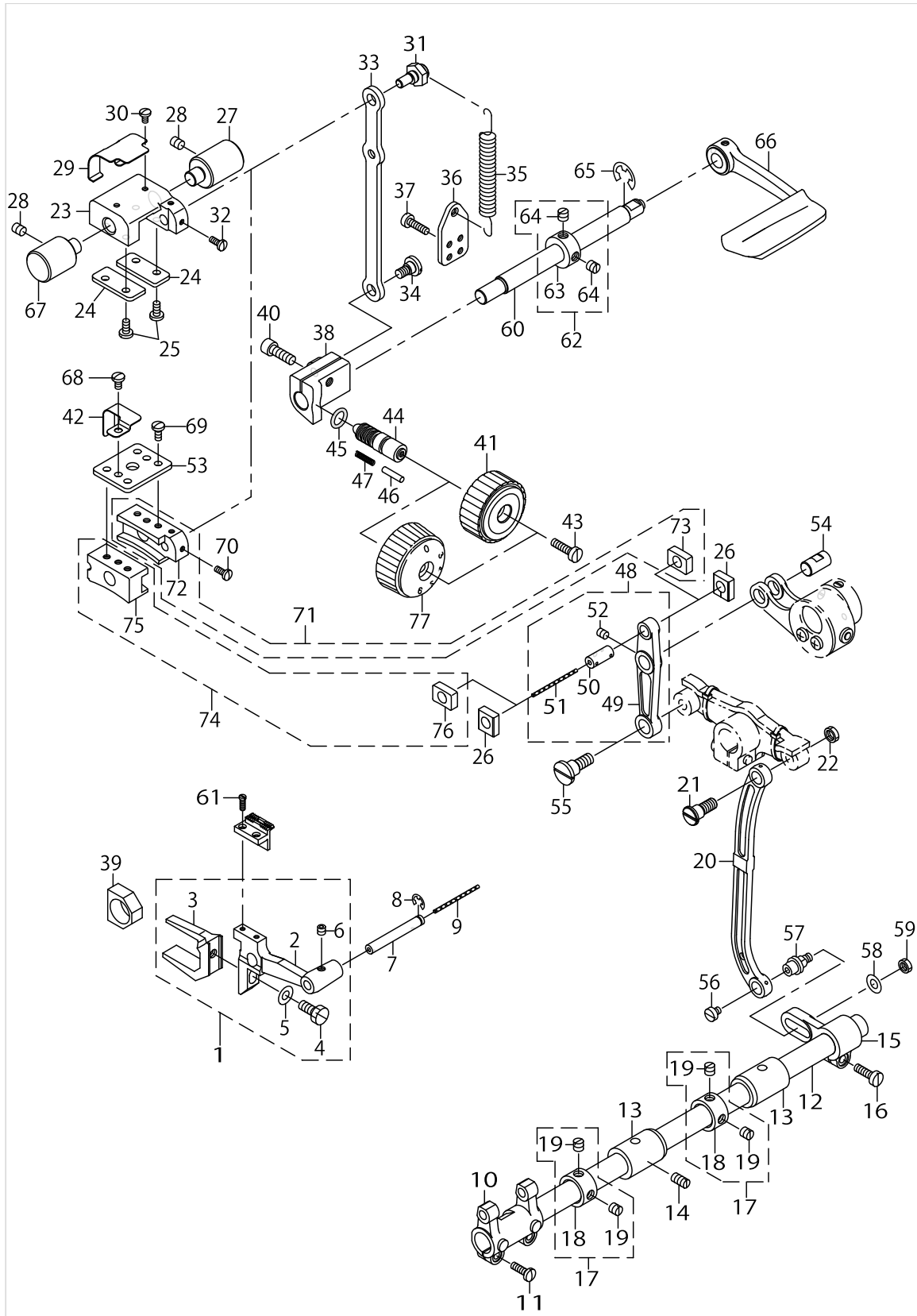
FEED MECHANISM COMPONENTS



FEED MECHANISM COMPONENTS

No.	Parts No.	Parts name	Remarks	Level	Cons	Qty
1	40104355	FEED BASE (B) ASM.				1
2	40104356	FEED BASE		*		1
3	40104357	FEED BASE FORK		*		1
4	SS9151440CP	SCREW 15/64-28 L=14		*		1
5	WP0621016SD	WASHER 6.2X13X1		*		1
6	SM8050502TP	SCREW M5 L=5		*		1
7	B1604012000A	FEED BAR SHAFT				1
8	RE0500711KP	SNAP RING 5				1
9	CQ202000000	OIL WICK				0.14
10	21364104	FEED ROCKER				1
11	SS7111410SP	SCREW 11/64-40 L=14				2
12	22609408	FEED ROCK SHAFT				1
13	21378302	FEED ROCK SHAFT METAL				2
14	SS8151150TP	SCREW 15/64-28 L=10.5				1
15	B3025141H00A	CONNECTING ARM				1
16	SS6121610TP	SCREW 3/16-28 L=15.5				1
17	22904155	MAIN SHAFT THRUST COLLAR ASM.				2
18	22904106	MAIN SHAFT THRUST COLLAR		*		1
19	SS8660610TP	SCREW 1/4-40 L=6		*		2
20	10205201	NEEDLE BAR FRAME ROD				1
21	SD0900701TP	HINGE SCREW D=9 H=7				1
22	NS6680320SP	NUT 9/32-28				1
23	21337506	FEED ADJUSTING BASE				1
24	21337704	FEED ADJUSTING BASE COVER				2
25	SS7110910TP	SCREW 11/64-40 L=8.5				4
26	21337407	SQUARE BLOCK				2
27	21337803	FEED ADJUSTING BASE SUPPORT				1
28	SS8150822TP	SCREW 15/64-28 L=8				2
29	21338306	FELT SUPPORT				1
30	SS7090610SP	SCREW 9/64-40 L=6				2
31	21337902	ECCENTRIC PIN				1
32	SS7090910TP	SCREW 9/64-40 L=8.5				2
33	21337308	FEED ADJUSTING ROD				1
34	SD0800402TP	HINGE SCREW D=8 H=4				1
35	21337605	SPRING				1
36	40019926	SPRING HOOK				1
37	SS6111610SP	SCREW 11/64-40 L=16				2
38	21337209	FEED ADJUSTING A				1
39	B1610512000	FEED DRIVING SLIDE BLOCK				1
40	SM6061802TP	SCREW M6 L=18				1
41	21336805	FEED DIAL A				1
42	40038712	FELT HOLDER	FOR LU-1510NA-7			1
43	SS6121860SP	SCREW 3/16-28 L=18				1
44	22911804	FEED REGULATOR SCREW				1
45	RO092270200	RUBBER RING				1
46	22912000	FEED REGULATOR PIN				1
47	22912109	FEED REGULATOR PIN SPRING				1

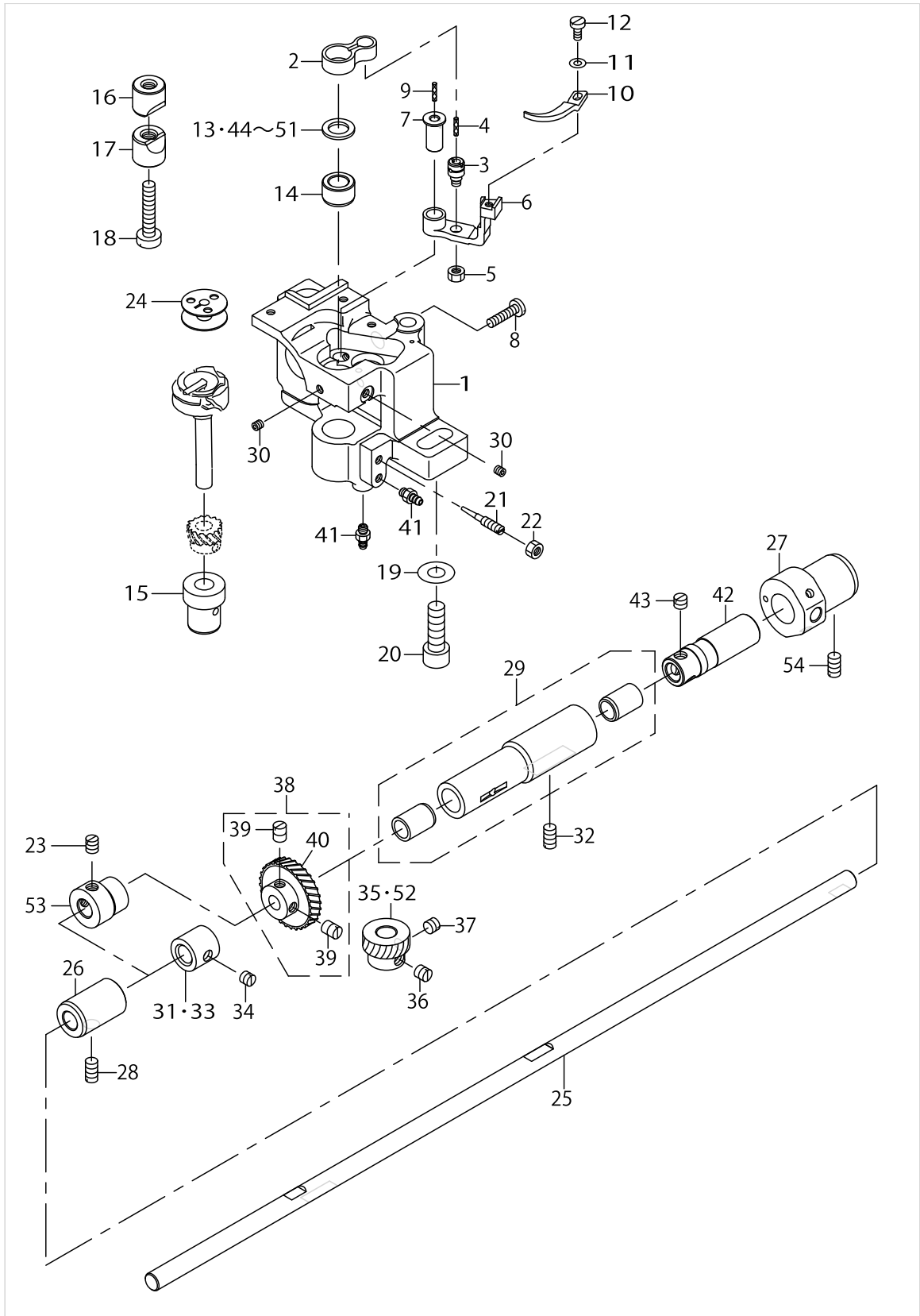
FEED MECHANISM COMPONENTS



FEED MECHANISM COMPONENTS

No.	Parts No.	Parts name	Remarks	Level	Cons	Qty
48	21336656	FEED LINK ASM.				1
49	21336607	FEED LINK		*		1
50	40009103	CONNECTING FORKED LINK PIN		*		1
51	CQ202000000	OIL WICK		*		0.04
52	SM8050612TP	SCREW M5X6		*		1
53	21407408	FITTING PLATE	FOR LU-1510NA-7			1
54	21378906	FEED LINK PIN				1
55	SD1000801SH	HINGE SCREW D=10 H=8				1
56	SS6110520TP	SCREW 11/64-40 L=4.5				1
57	40108541	FEED ROCK SHAFT HINGE SCREW				1
58	WP0650876SD	WASHER 6.5X13X0.8				1
59	NS6150310SP	NUT 15/64-28				1
60	21336300	BACKWARD FEED LEVER SHAFT				1
61	B1611055000	SCREW FEED ROCK SHAF				2
62	CS1201010SH	THRUST COLLAR ASM. D=12 W=10				1
63	CS1201011SH	THRUST COLLAR D=12 W=10		*		1
64	SS8660610TP	SCREW 1/4-40 L=6		*		2
65	RE0900000K0	E-RING 9				1
66	21388004	REVERSE FEED ROCK SHAFT				1
67	21430400	FEED ADJUSTER SUPPORT				1
68	SS7110710SP	SCREW 11/64-40 L=7	FOR LU-1510NA-7			1
69	SS7110910TP	SCREW 11/64-40 L= 8.5	FOR LU-1510NA-7			4
70	SS7090910TP	SCREW 9/64-40 L=8.5	FOR LU-1510NA-7			2
71	40081970	FEED ADJUSTING BASE	FOR LU-1510NA-7			1
72	21407200	FEED ADJUSTING BASE		*		1
73	21407309	SQUARE BLOCK		*		1
74	40081969	FEED ADJUSTING BASE B SET	FOR LU-1510NA-7			1
75	40038711	FEED ADJUSTING BASE B		*		1
76	21407309	SQUARE BLOCK	FOR LU-1510NA-7	*		1
77	40049663	FEED DIAL(P=7) ASM.	FOR LU-1510NA-7			1

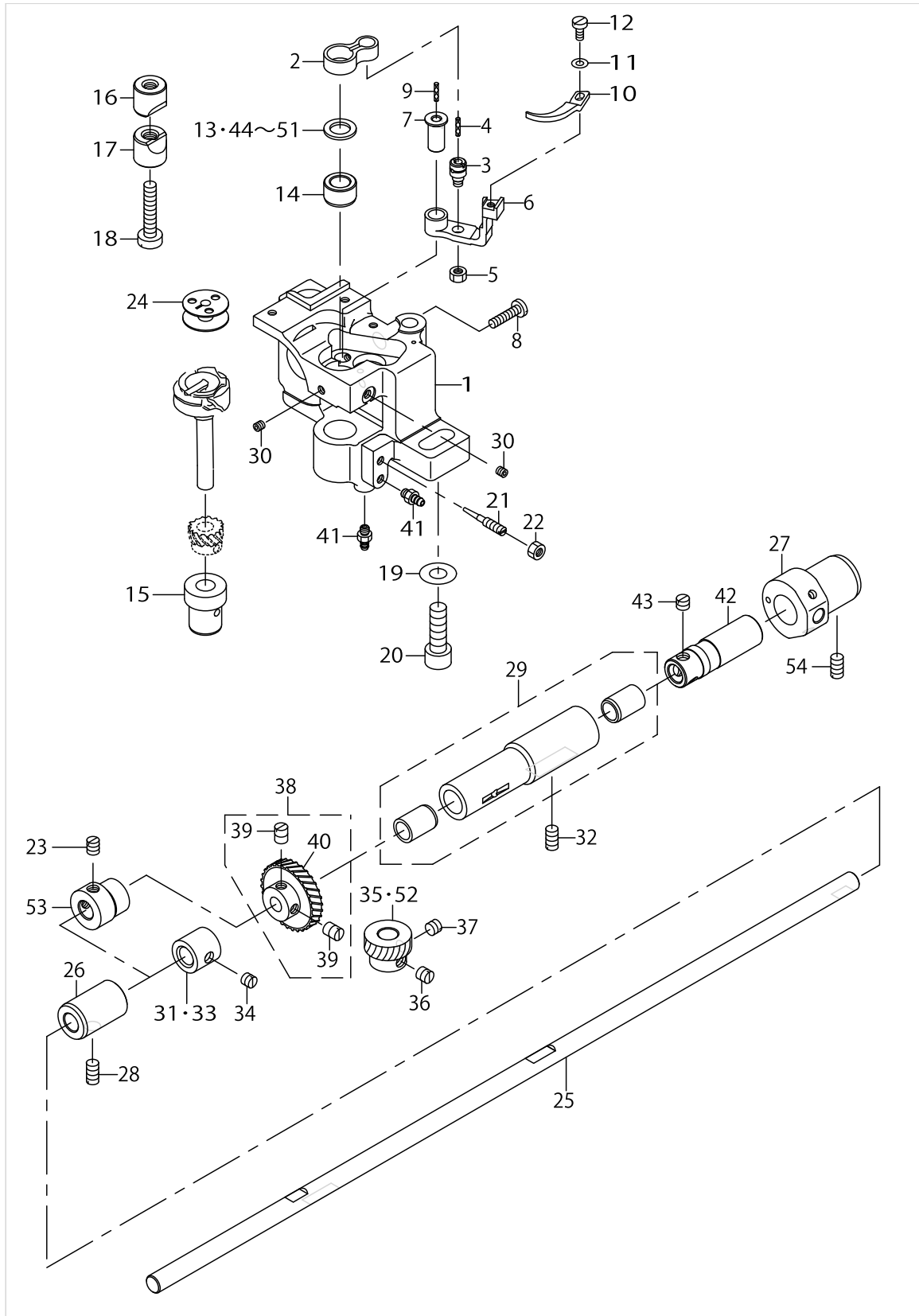
HOOK SHAFT & LOWER SHAFT COMPONENTS



HOOK SHAFT & LOWER SHAFT COMPONENTS

No.	Parts No.	Parts name	Remarks	Level	Cons	Qty
1	21390000	HOOK SHAFT BASE (RIGHT)				1
2	21334909	INNER HOOK GUIDE LINK				1
3	B1821051000	CRANK SCREW STUD				1
4	CQ202000000	OIL WICK				0.01
5	NS6110420SP	NUT 11/64-40				1
6	21335500	GUIDE ARM (FOR THREAD CUTTING)				1
7	21335708	INNER HOOK GUIDE ARM SHAFT				1
8	SS7111810TP	SCREW 11/64-40 L=18				1
9	CQ202000000	OIL WICK				0.01
10	21335807	INNER HOOK GUIDE				1
11	WP0371016SD	WASHER 3.7X8X1				1
12	SS6090810SP	SCREW 9/64-40 L=7.5				1
13	10111102	THRUST WASHER 1.3				1
14	21378401	HOOK SHAFT UPPER METAL				1
15	21334701	HOOK SHAFT LOWER METAL				1
16	10109908	SADDLE INSTALLING BLOCK UPPER				1
17	10112407	SADDLE INSTALLING BLOCK LOWER				1
18	SS6153040SP	SCREW 15/64-28 L=30				1
19	WP0850002SP	WASHER 8.5X18X1.6				1
20	SM6082502TP	SCREW M8 L=25				1
21	B1834512000A	OIL ADJUSTING SCREW				1
22	NS6110420SP	NUT 11/64-40				1
23	SS8150710TP	SCREW 15/64-28 L=7	FOR LU-1510NA-7			2
24	21334800	ALUMINUM BOBBIN WITH KNURL				1
25	21333604	LOWER SHAFT				1
26	21427307	LOWER SHAFT METAL REAR				1
27	22611701	PLUNGER BUSHING B				1
28	SS8151150TP	SCREW 15/64-28 L=10.5				1
29	B18035150A0	BUSHING ASM. INTERMEDIATE				1
30	SS8110422TP	SCREW 11/64-40 L=4				2
31	B1840051000	FEED DRIVING ECCENTRIC	OPTIONAL PARTS (FOR LU-1510N-7)			1
32	SS8151150TP	SCREW 15/64-28 L=10.5				1
33	21378104	VERTICAL FEED CAM				1
34	SS8150510TP	SCREW 15/64-28 L=4.7				1
35	B1817051000	HOOK DRIVING SHAFT GEAR SMALL	SELECTIVE PARTS			1
36	SS8660670SP	SCREW 1/4-40 L=6.1				1
37	SS8660530TP	SCREW 1/4-40 L=4.5				1
38	40162860	HOOK DRIVING SHAFT GEAR ASM				1
39	SS8660810TP	SCREW 1/4-40 L=8		*		2
40	B1816051000	HOOK DRIVING SHAFT GEAR LARGE		*		1
41	SQ1110401MZ	CONNECTING SCREW				2
42	22611909	OIL PUMP SHAFT				1
43	SS8660530TP	SCREW 1/4-40 L=4.5				3
44	10112704	THRUST WASHER 1.8	SELECTIVE PARTS			1
45	10109700	THRUST WASHER A	SELECTIVE PARTS			1
46	10109809	THRUST WASHER B	SELECTIVE PARTS			1

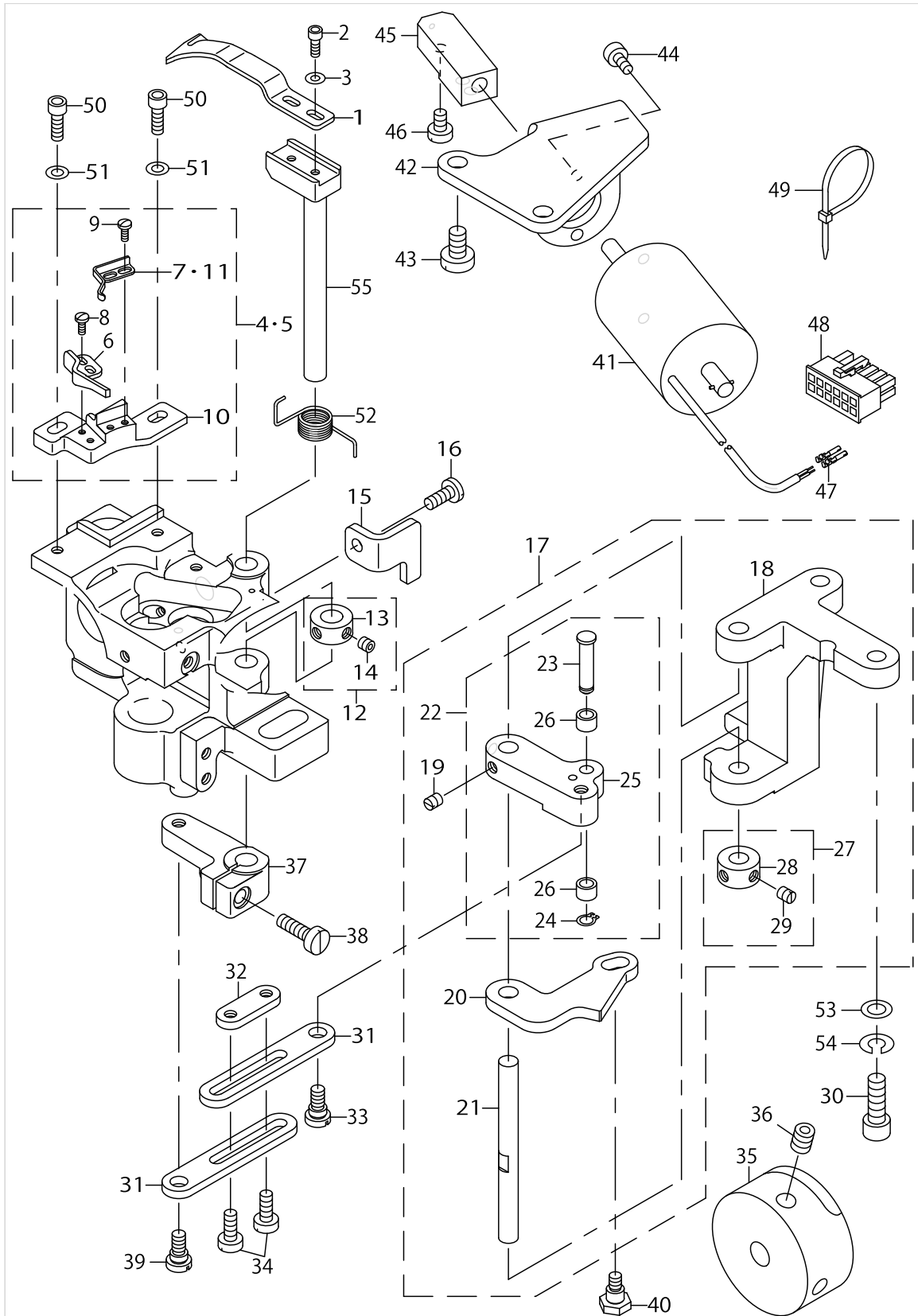
HOOK SHAFT & LOWER SHAFT COMPONENTS



HOOK SHAFT & LOWER SHAFT COMPONENTS

No.	Parts No.	Parts name	Remarks	Level	Cons	Qty
47	10110906	BUSHING THRUST 1.1	SELECTIVE PARTS			1
48	10111003	THRUST WASHER 1.2	SELECTIVE PARTS			1
49	10111201	THRUST WASHER 1.4	SELECTIVE PARTS			1
50	10112506	THRUST WASHER 1.6	SELECTIVE PARTS			1
51	10112605	THRUST WASHER 1.7	SELECTIVE PARTS			1
52	40042611	HOOK DRIVING SHAFT GEAR	SELECTIVE PARTS			1
53	23024409	VERTICAL FEED CAM (1.5)	FOR LU-1510NA-7			1
54	SS8151150SP	SCREW 15/64-28 L=10.5				1

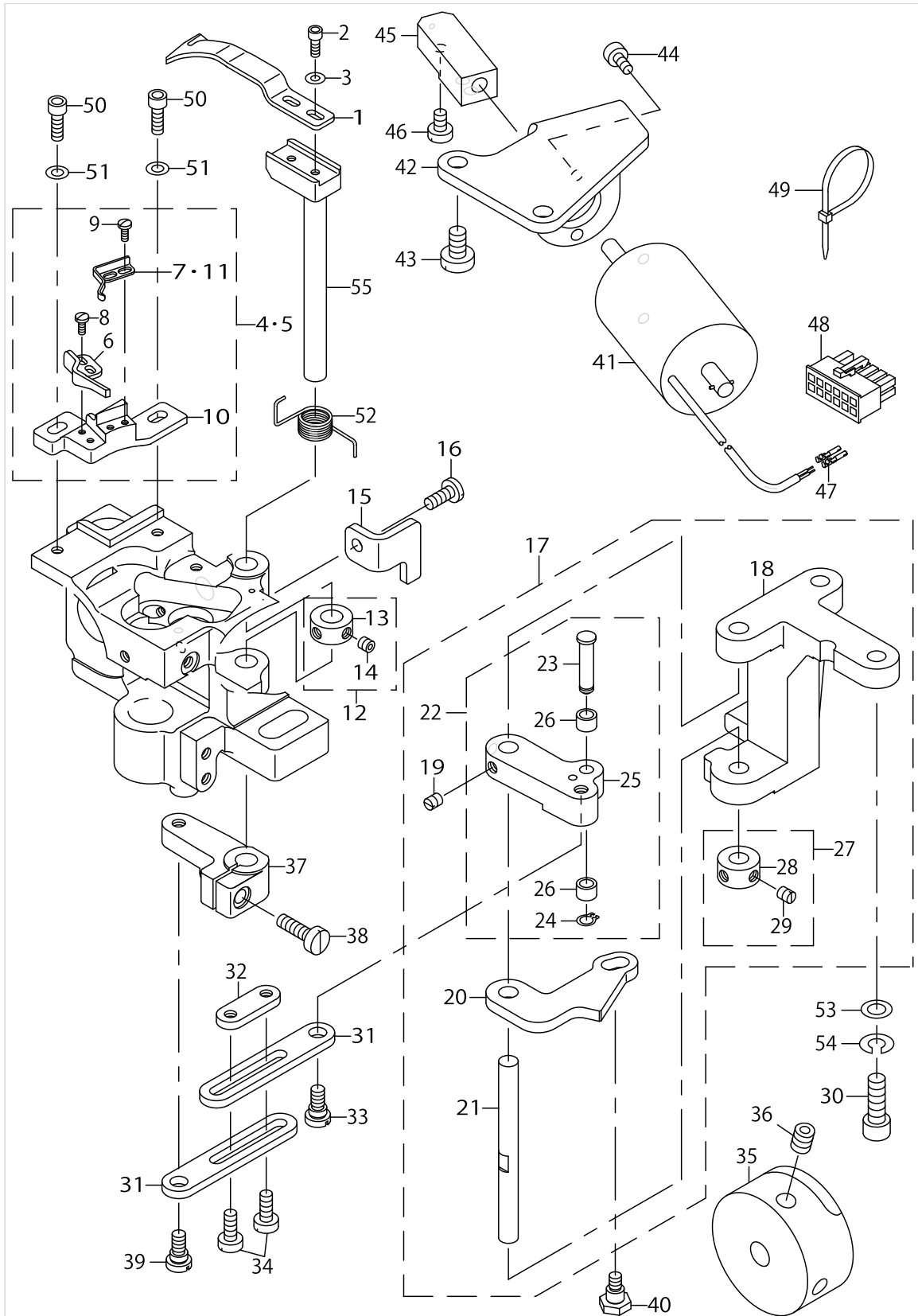
THREAD CUTTING COMPONENTS



THREAD CUTTING COMPONENTS

No.	Parts No.	Parts name	Remarks	Level	Cons	Qty
1	21389200	MOVING KNIFE				1
2	SM6030802TP	SCREW M3X0.5 L=8				2
3	WP0320501SC	WASHER M3				2
4	21389556	FIXING KNIFE BASE (RIGHT) ASM.				1
5	40062181	FIXING KNIFE BASE (RIGHT) ASM.	FOR LU-1510NA-7			1
6	21389309	FIXING KNIFE		*		1
7	21389408	CLAMP SPRING		*		1
8	SS7060610SP	SCREW 3/32-56 L=5.5		*		2
9	SS7060610SP	SCREW 3/32-56 L=5.5		*		2
10	21389507	FIXED KNIFE BASE (RIGHT)		*		1
11	40062182	CLAMP SPRING	FOR LU-1510NA-7	*		1
12	40101351	THRUST COLLAR ASM.				1
13	22917009	THRUST COLLAR		*		1
14	SS8110422TP	SCREW 11/64-40 L=4		*		2
15	21354501	THREAD CUTTING STOPPER (RIGHT)				1
16	SS7111120SP	SCREW 11/64-40 L=10.5				1
17	21353750	VERTICAL FITTING BASIS ASM.				1
18	21353701	VERTICAL FITTING BASIS		*		1
19	SS8110510SP	SCREW 11/64-40 L=5		*		2
20	21354006	THREAD CUTTING DRIVING PLATE		*		1
21	10116804	SHAFT		*		1
22	40119279	THREAD CUTTING ROLLER ARM ASM.		*		1
23	40104369	CAM ROLLER SHAFT		*		1
24	D2430555B00	SNAP RING		*		1
25	40104368	THREAD CUTTING ROLLER ARM		*		1
26	D2427555B00B	CAM ROLLER		*		2
27	CS070081BSH	THRUST COLLAR ASM. D=7 W=8		*		1
28	CS0700811SH	THRUST COLLAR D=7 W=8		*		1
29	SS8110510SP	SCREW 11/64-40 L=5		*		2
30	SS6151812TP	SCREW 15/64-28 L=18				2
31	21354105	CONNECTING PLATE				2
32	21354204	STOPPING PLATE				1
33	SD0640325SP	HINGE SCREW				1
34	SS6111140SP	SCREW 11/64-40 L=11				2
35	21389911	THREAD TRIMMER CAM				1
36	SS8660612TP	SCREW 1/4-40 L=6				2
37	21389705	ROCKING ARM (RIGHT)				1
38	SS6121610TP	SCREW 3/16-28 L=15.5				1
39	SD0640325SP	HINGE SCREW				1
40	SD0640482SP	HINGE SCREW D=6.35 H=4.8				1
41	21355102	THREAD CUTTING SOLENOID				1
42	21354600	SOLENOID FITTING PLATE				1
43	SS6151040SP	SCREW 15/64-28 L=10				2
44	SM6040802TP	SCREW M4X0.7 L=8				2
45	21354709	SOLENOID CONNECTING PLATE				1
46	SS6110710TP	SCREW 11/64-40 L=6.5				2
47	HK03464000A	TERMINAL FEMALE				2

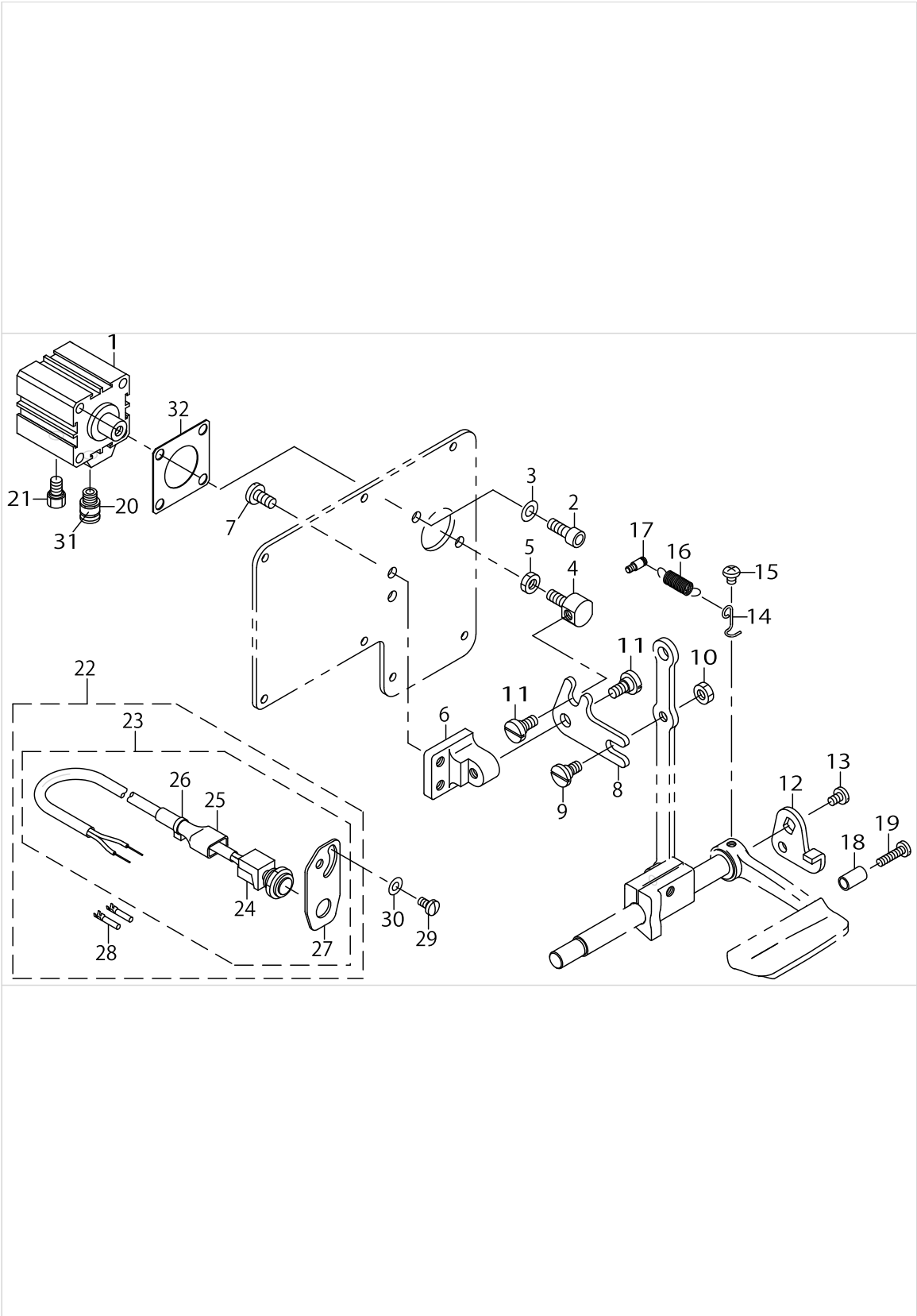
THREAD CUTTING COMPONENTS



THREAD CUTTING COMPONENTS

No.	Parts No.	Parts name	Remarks	Level	Cons	Qty
48	HK034610120	HOUSING 12P				1
49	EA9500B0100	CABLE BAND				1
50	SM6041202TP	SCREW M4X0.7 L=12				2
51	WP0430800SC	WASHER M4				2
52	21390208	MAINTENANCE SPRING				1
53	WP0651056SD	WASHER 6.5X11X1				2
54	WS0610002KP	SPRING WASHER				2
55	21354907	MOVING KNIFE SHAFT				1

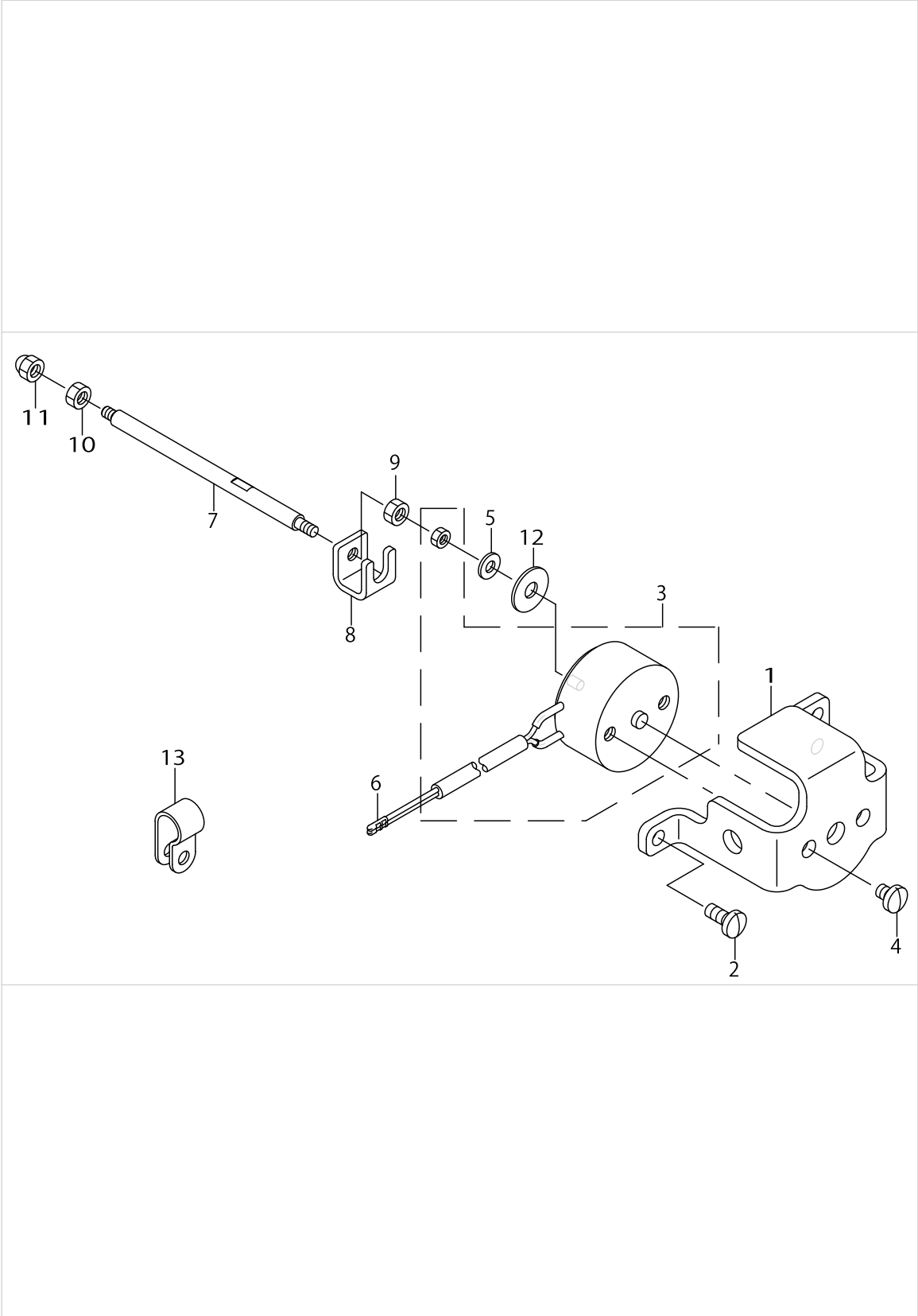
AUTOMATIC BACK COMPONENTS



AUTOMATIC BACK COMPONENTS

No.	Parts No.	Parts name	Remarks	Level	Cons	Qty
1	PA320150200	JIG CYLINDER				1
2	SM6061602TP	SCREW M6 L=16				2
3	WP0641601SD	WASHER M6				2
4	21348602	CYLINDER CONNECTING SCREW				1
5	NM6060003SC	NUT M6				1
6	21348503	FITTING BASE				1
7	SS7151210SP	SCREW 15/64-28 L=12				2
8	21348701	BACKWARD FEED LINK				1
9	SD0800402TP	HINGE SCREW D=8 H=4				1
10	NS6150430SP	NUT 15/64-28				1
11	SD0800352SP	HINGE SCREW D=8 H=3.5				2
12	22656102	REVERSE FEED LINK (1)				1
13	SS7120760SP	SCREW 3/16-28 L=7.0				1
14	22656003	SPRING SUSPENSION				1
15	SS4120615SP	SCREW 3/16-28 L=6				1
16	26226209	SPRING				1
17	40023289	SPRING SUSPENSION				1
18	22952501	BACK LEVER STOPPER				1
19	SS7111810SP	SCREW 11/64-40 L=18				1
20	PJ301065104	HALF UNION				1
21	PX015101000	MUFFLER				1
22	40056366	BT SWITCH C ASM.				1
23	40056365	BT SWITCH B ASM.		*		1
24	40056364	BT SWITCH A ASM.		*		1
25	GTS01037000	CONNECTOR COVER		*		1
26	EA9500B0100	CABLE BAND		*		1
27	21388608	CABLE BAND		*		1
28	HK03464000A	TERMINAL FEMALE		*		2
29	SS7110840SP	SCREW 11/64-40 L=7.8				2
30	WP0501016SD	WASHER 5X10.5X1				2
31	HX002950000	WIRE MARK(1)				1
32	21349105	CYLINDER PACKING				1

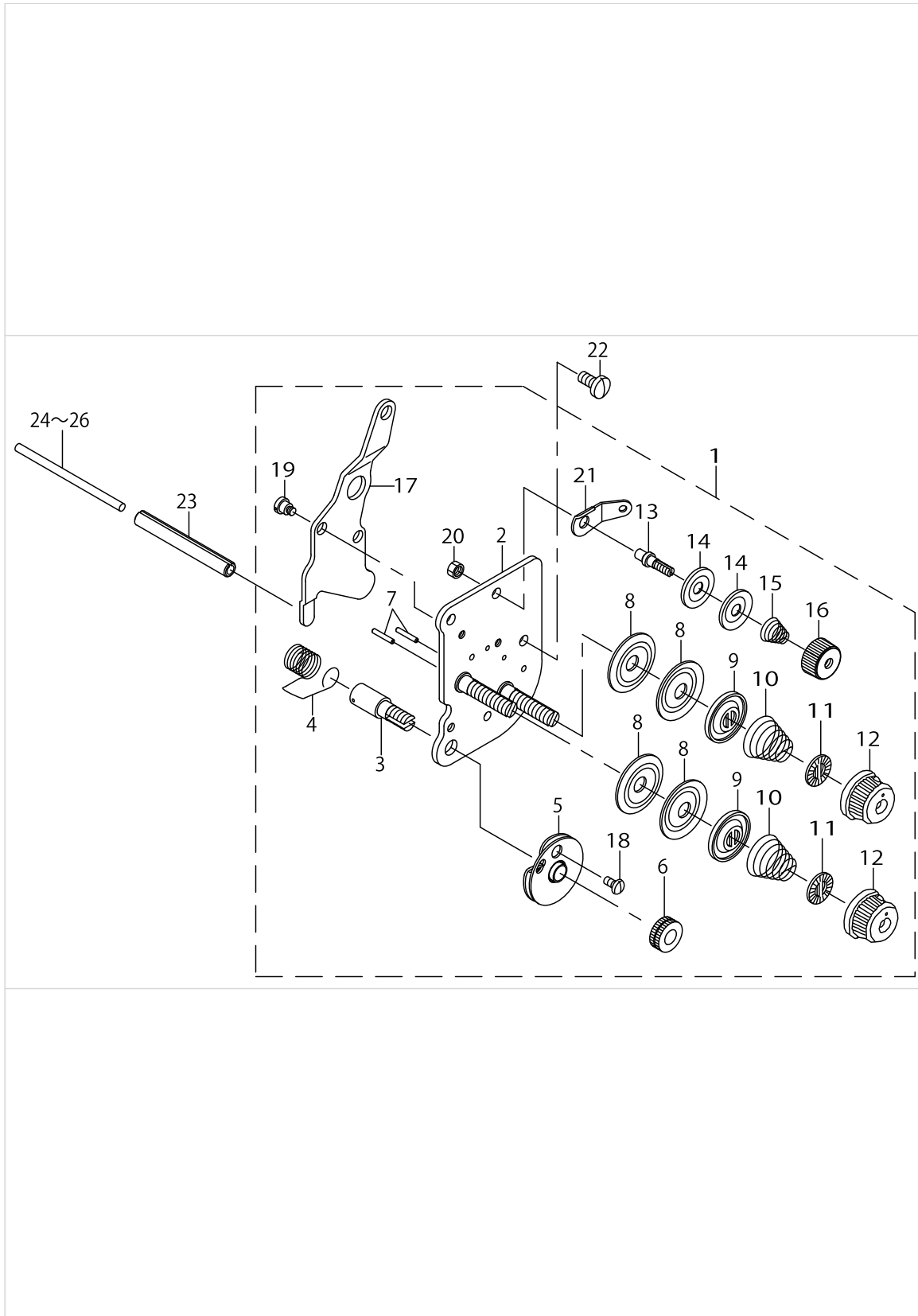
THREAD RELEASE COMPONENTS



THREAD RELEASE COMPONENTS

No.	Parts No.	Parts name	Remarks	Level	Cons	Qty
1	21441407	SOLENOID INSTALLING PLATE				1
2	SS7110910TP	SCREW 11/64-40 L=8.5				2
3	21363106	TENSION RELEASE SOLENOID				1
4	SS7110570SP	SCREW 11/64-40 L=4.8				2
5	40062388	WASHER				1
6	HK03464000B	PIN CONTACT				2
7	21441209	TENSION RELEASE BAR				1
8	21441308	COUPLING				1
9	NM6040001SN	NUT M4X0.7				1
10	NM6040001SN	NUT M4X0.7				1
11	NM7040062SB	NUT M4				1
12	WP0501046SC	WASHER 5X14X1				1
13	HX00123000A	CABLE CLIP				1

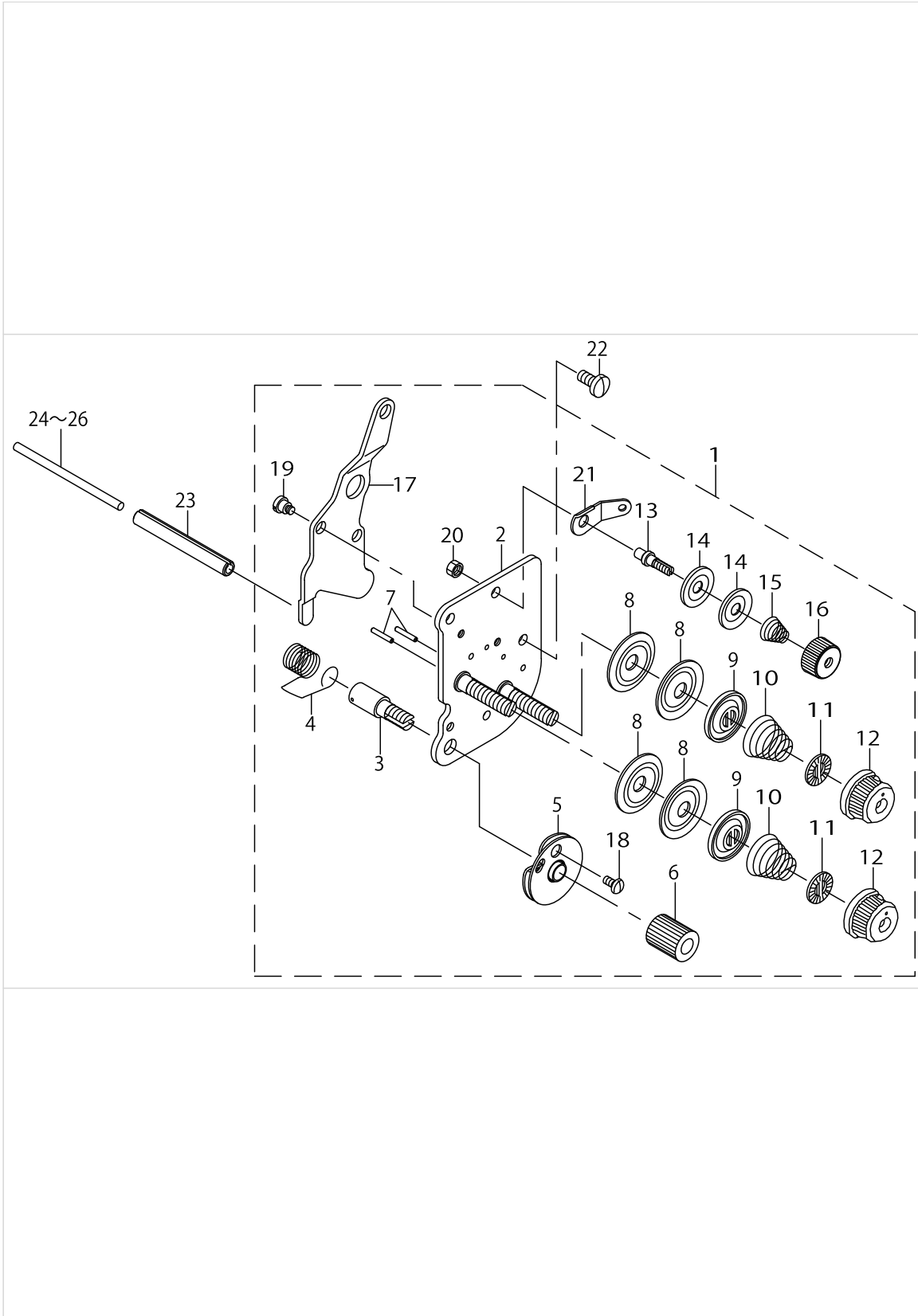
THREAD TENSION COMPONENTS (FOR LU-1510N-7)



THREAD TENSION COMPONENTS (FOR LU-1510N-7)

No.	Parts No.	Parts name	Remarks	Level	Cons	Qty
1	40103925	THREAD TENSION ASM.				1
2	21441050	TENSION POST COMPL.		*		1
3	10320109	SCREW STUD		*		1
4	B3128520000	TENSION SPRING		*		1
5	B31375270A0	TAKE-UP SPRING GUIDE ASM.		*		1
6	B3125012000	THREAD TENSION NUT		*		1
7	22618201	TENSION RELEASE PIN A		*		2
8	13138201	THREAD TENSION DISK		*		4
9	22617906	THREAD TENSION DISK PRESSER		*		2
10	B3129526000	TENSION SPRING (1.2)		*		2
11	22921407	ROTATION STOPPER		*		2
12	22921308	THREAD TENSION NUT		*		2
13	10124204	THREAD TENSION POST A		*		1
14	10741106	FIRST THREAD TENSION PLATE		*		2
15	22945505	THREAD TENSION SPRING		*		1
16	22945703	THREAD TENSION NUT		*		1
17	21441100	TENSION RELEASE PLATE		*		1
18	SS4080620TP	SCREW 1/8-44 L=6		*		1
19	SD0470281SP	HINGE SCREW D=4.7 H=2.8		*		2
20	NS6110310SP	NUT 11/64-40		*		1
21	D3162555B00	THREAD GUIDE		*		1
22	SS7110910TP	SCREW 11/64-40 L=8.5				2
23	PS0600502KP	SPRING PIN				1
24	21348206	TENSION RELEASE BAR	SELECTIVE PARTS			1
25	10321107	TENSION RELEASE BAR	SELECTIVE PARTS			1
26	23006406	TENSION RELEASE BAR				1

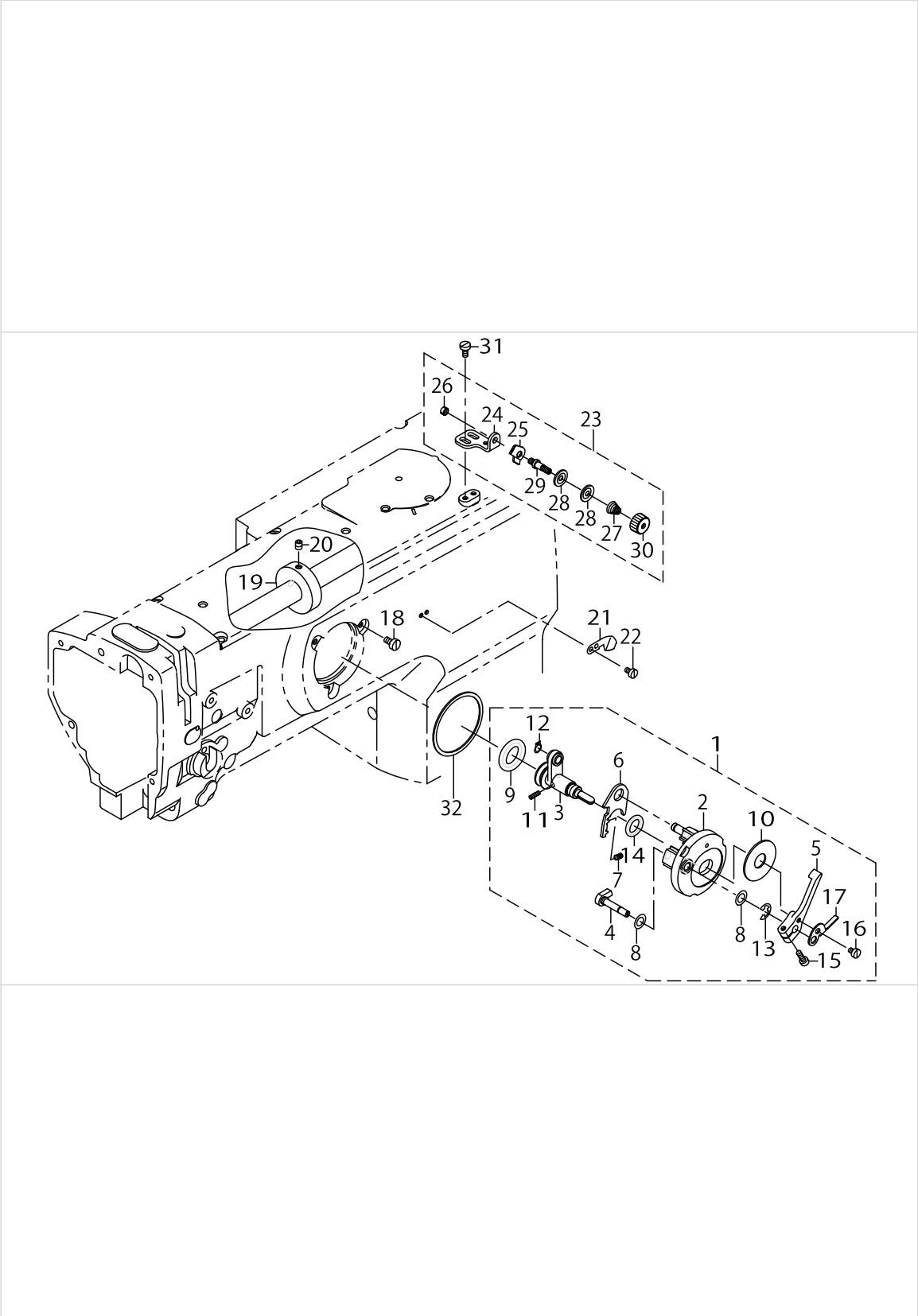
THREAD TENSION COMPONENTS (FOR LU-1510NA-7)



THREAD TENSION COMPONENTS (FOR LU-1510NA-7)

No.	Parts No.	Parts name	Remarks	Level	Cons	Qty
1	40039837	THREAD TENSION ASM.				1
2	21441050	TENSION POST COMPL.		*		1
3	10320109	SCREW STUD		*		1
4	B3128051000	THREAD TAKE-UP SPRING A		*		1
5	B31375270A0	TAKE-UP SPRING GUIDE ASM.		*		1
6	10320208	THRED TENSION STUD NUT		*		1
7	22618201	TENSION RELEASE PIN A		*		2
8	13138201	THREAD TENSION DISK		*		4
9	22617906	THREAD TENSION DISK PRESSER		*		2
10	B3129526000	TENSION SPRING (1.2)		*		2
11	B3120125000	ROTATING STOPPER		*		2
12	11956802	THREAD TENSION KNOB BLUE		*		2
13	10124204	THREAD TENSION POST A		*		1
14	10741106	FIRST THREAD TENSION PLATE		*		2
15	11045101	THREAD TENSION SPRING		*		1
16	11072402	THREAD TENSION NUT		*		1
17	21441100	TENSION RELEASE PLATE		*		1
18	SS4080610SP	SCREW 1/8-44 L=6.4		*		1
19	SD0470281SP	HINGE SCREW D=4.7 H=2.8		*		2
20	NS6110310SP	NUT 11/64-40		*		1
21	D3162555B00	THREAD GUIDE		*		1
22	SS7110910TP	SCREW 11/64-40 L=8.5				2
23	PS0600502KP	SPRING PIN				1
24	21348206	TENSION RELEASE BAR	SELECTIVE PARTS			1
25	10321107	TENSION RELEASE BAR	SELECTIVE PARTS			1
26	23006406	TENSION RELEASE BAR				1

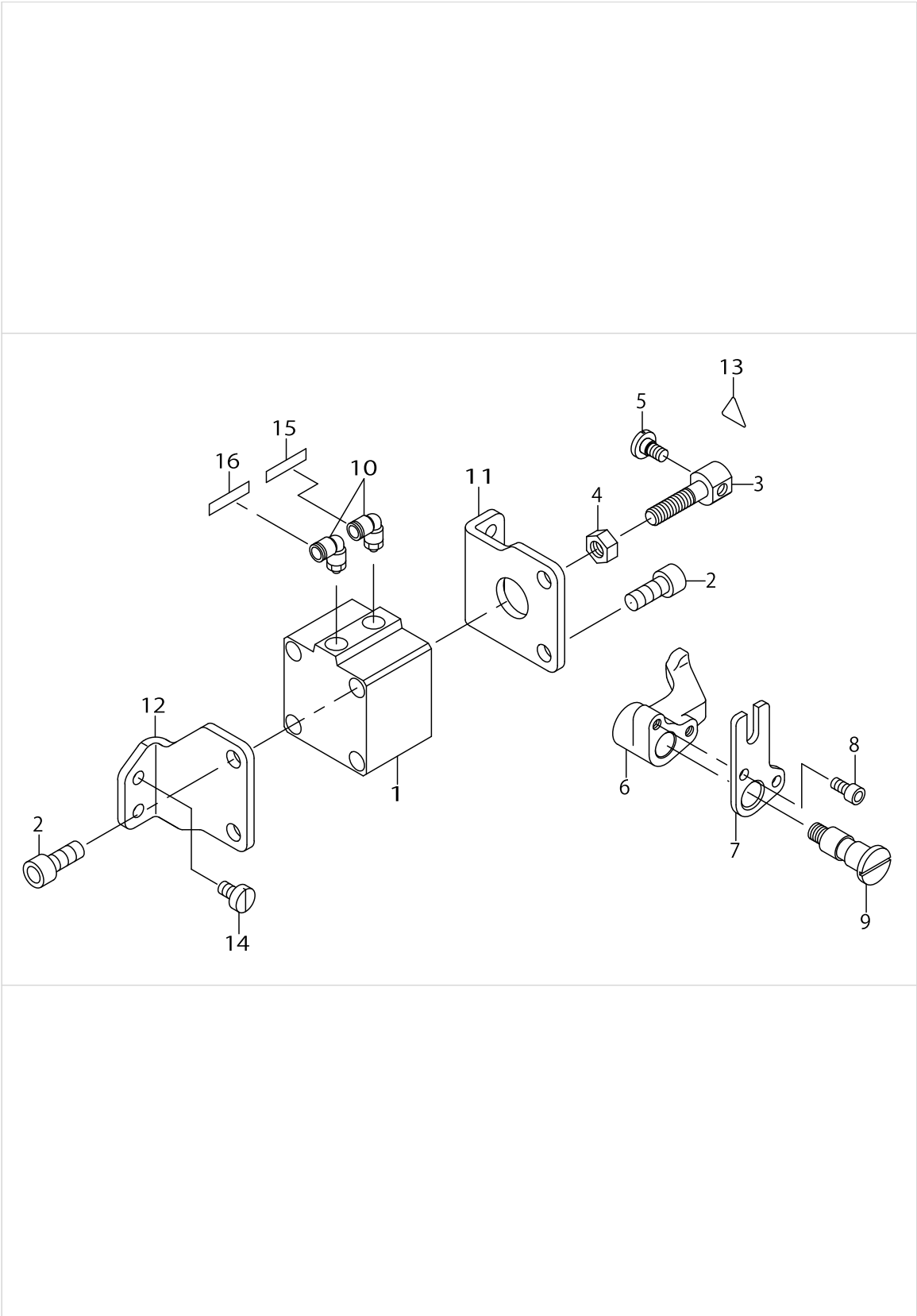
LOWER THREAD WINDER MECHANISM COMPONENTS



LOWER THREAD WINDER MECHANISM COMPONENTS

No.	Parts No.	Parts name	Remarks	Level	Cons	Qty
1	21357967	BOBBIN DEVICE ASM.				1
2	22537658	BOBBIN FITTING BASIS COMPL.		*		1
3	21357959	BOBIN SHAFT COMPL.		*		1
4	22538151	BOBBIN CAM SHAFT COMPL.		*		1
5	23636202	BOBBIN LEVER		*		1
6	21356001	ADJUSTING PLATE		*		1
7	B152989000CA	PRESSUR FOOT SPRING		*		1
8	10618304	VERTICAL ROLLER WASHER		*		2
9	21358205	RUBBER RING		*		1
10	B3205210000	CUSHION		*		1
11	B1148555000	SPRING		*		1
12	RC0560711KP	RETAINING RING		*		1
13	RE0500000K0	E-RING		*		1
14	RO092270200	RUBBER RING		*		1
15	SS7091410SP	SCREW 9/64-40 L=13.5		*		1
16	SS6090520SP	SCREW 9/64-40 L=5.0		*		1
17	14512503	BOBBIN ADJUSTING PLATE		*		1
18	SS6110810TP	SCREW 11/64-40 L=8				3
19	10704807	BOBBIN FRICTION WHEEL				1
20	SM8050602TP	SCREW M5 L=6				2
21	10502300	THREAD CUTTER				1
22	SS6090620SP	SCREW 9/64-40 L=6				2
23	21355755	LOWER THREAD GUIDE ASM.				1
24	21355706	FITTING BASE		*		1
25	D3162555B00	THREAD GUIDE		*		1
26	NS6110310SP	NUT 11/64-40		*		1
27	22945505	THREAD TENSION SPRING		*		1
28	40113092	THREAD TENSION DISK		*		2
29	21378708	THREAD TENSION POST		*		1
30	22945703	THREAD TENSION NUT		*		1
31	SM6040800SP	SCREW				2
32	22538706	PACKING				1

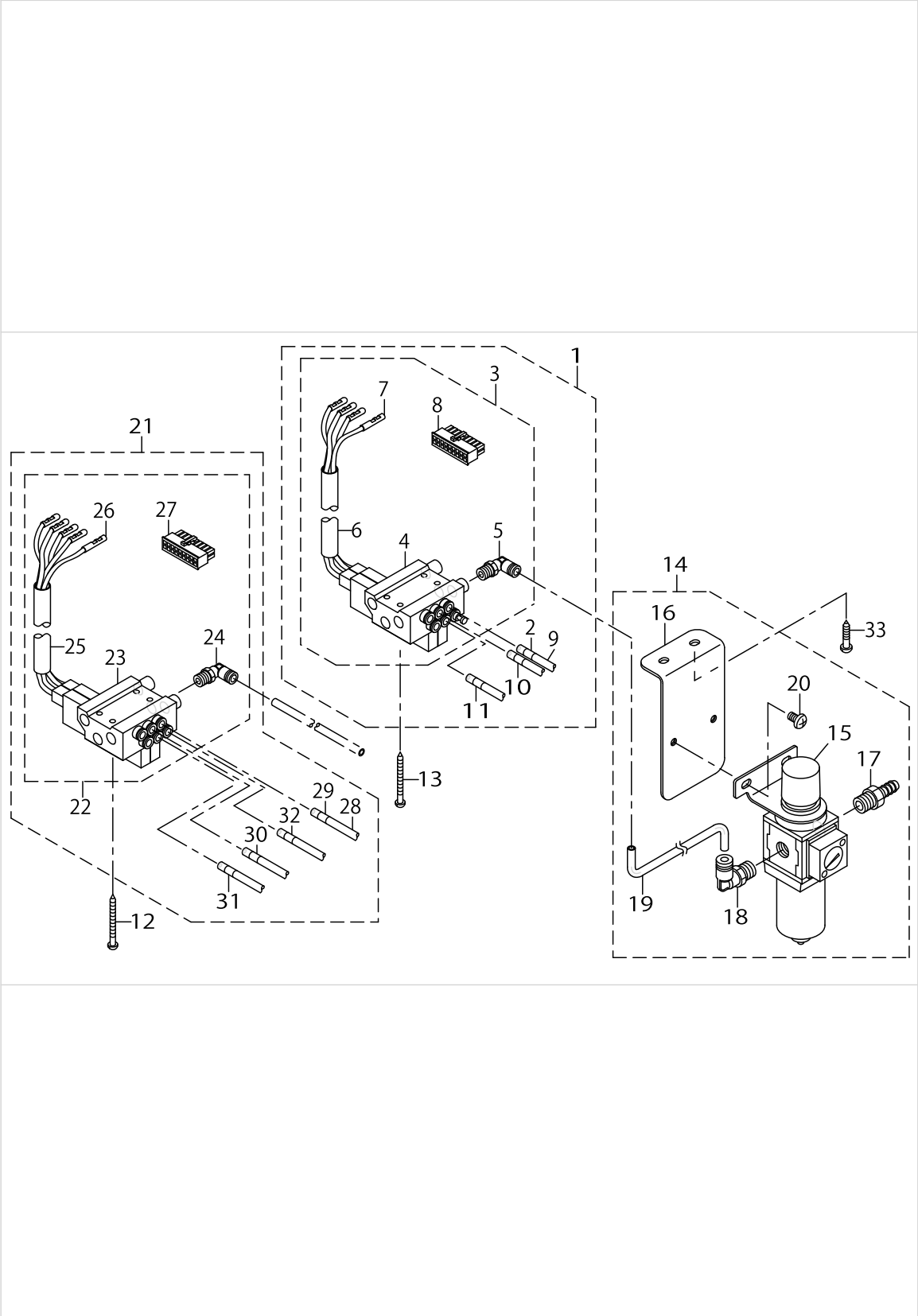
AUTOMATIC PRESSER LIFTING MECHANISM COMPONENTS



AUTOMATIC PRESSER LIFTING MECHANISM COMPONENTS

No.	Parts No.	Parts name	Remarks	Level	Cons	Qty
1	PA400150100	AIR CYLINDER				1
2	SM6082002TP	SCREW M8 L=20				4
3	21356506	CYLINDER CONNECTING SCREW				1
4	NM6080001SE	NUT M8				1
5	SD0720331SP	HINGE SCREW D=7.24 H=3.3				1
6	21388509	PRESSER LIFTER LEVER A				1
7	21356803	PRESSER LIFTER LEVER B				1
8	SM6051002TP	SCREW M5X0.8 L=10				2
9	21356704	SHAFT				1
10	PJ304065101	ELBOW UNION 6XPT1/8				2
11	21356308	CYLINDER STAY(FRONT)				1
12	21356407	CYLINDER STAY(REAR)				1
13	CM300200001	ATTENTION SEAL				1
14	SS6151040SP	SCREW 15/64-28 L=10				4
15	HX00295000A	WIRE MARK(2)				1
16	HX00295000B	WIRE MARK(3)				1

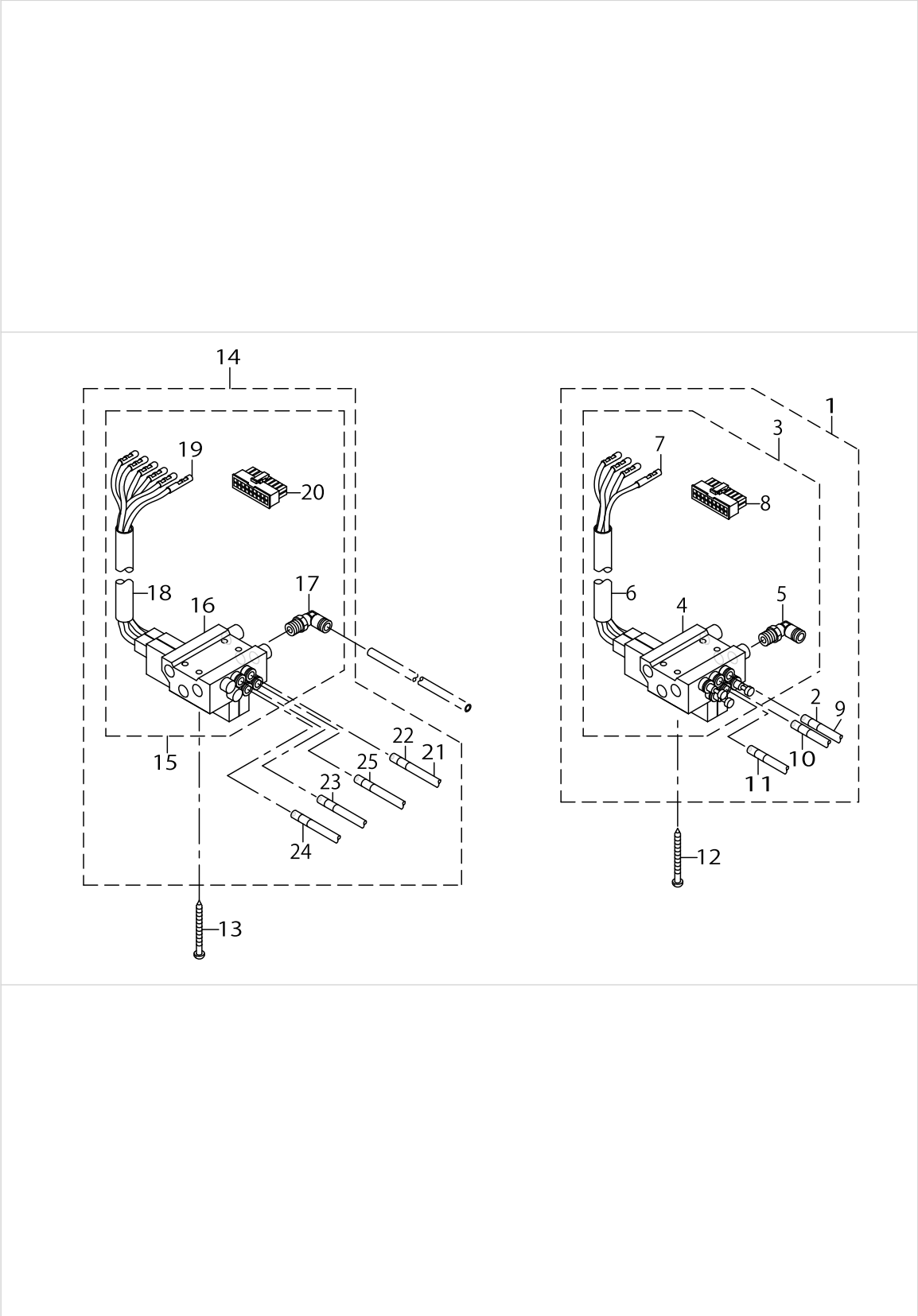
AIR MECHANISM COMPONENTS (FOR LU-1510N-7)



AIR MECHANISM COMPONENTS (FOR LU-1510N-7)

No.	Parts No.	Parts name	Remarks	Level	Cons	Qty
1	40102065	AIR APPARATUS B ASM.				1
2	HX002950000	WIRE MARK(1)		*		4
3	40102063	ELECTROMAGNETIC VALVE B ASM.		*		1
4	GAKA2302B00	ELECTROMAGNETIC VALVE A		*		1
5	GAK29010000	ELBOW B		*		1
6	GAKA1503000	INSULATION TUBE		*		1
7	HK03464000A	TERMINAL FEMALE		*		4
8	HK034610180	CONNECTOR		*		1
9	BT0600401EB	TUBE		*		3
10	HX00295000A	WIRE MARK(2)		*		4
11	HX00295000B	WIRE MARK(3)		*		4
12	SK3385001SE	WOOD SCREW D=3.8 L=50				4
13	SK3385001SE	WOOD SCREW D=3.8 L=50				4
14	40038722	FILTER REGULATAR ASM.				1
15	PF0552170A0	FILTER REGULATOR		*		1
16	40038723	FILTER REGULATOR MOUNTING PLATE		*		1
17	40107618	NIPPLE		*		1
18	GAK29009000	ELBOW		*		1
19	BT0600401EB	TUBE		*		1
20	SM4061001SB	SCREW M6 L=10		*		1
21	40102066	AIR APPARATUS C ASM.	OPTIONAL PARTS			1
22	40102064	ELECTROMAGNETIC VALVE C ASM.		*		1
23	GAKA2302C00	ELECTROMAGNETIC VALVE C		*		1
24	GAK29010000	ELBOW B		*		1
25	GAKA1503000	INSULATION TUBE		*		1
26	HK03464000A	TERMINAL FEMALE		*		5
27	HK034610180	CONNECTOR		*		1
28	BT0600401EB	TUBE		*		4
29	HX002950000	WIRE MARK(1)		*		4
30	HX00295000A	WIRE MARK(2)		*		4
31	HX00295000B	WIRE MARK(3)		*		4
32	HX00295000C	WIRE MARK(4)		*		4
33	SK3482501SE	WOOD SCREW D=4.8 L=25				2

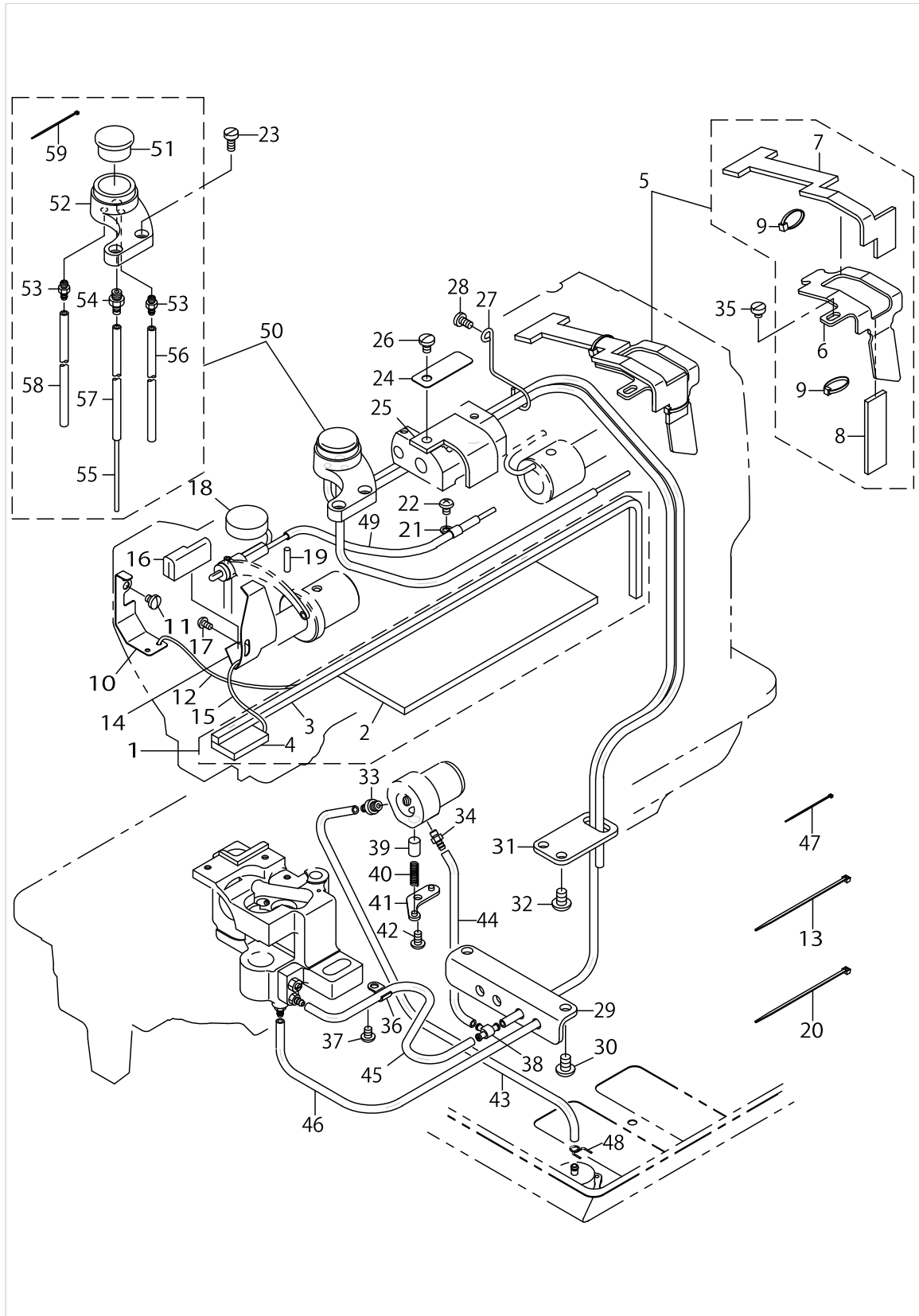
AIR MECHANISM COMPONENTS (FOR LU-1510NA-7)



AIR MECHANISM COMPONENTS (FOR LU-1510NA-7)

No.	Parts No.	Parts name	Remarks	Level	Cons	Qty
1	40102070	AIR APPARATUS Q ASM.				1
2	HX002950000	WIRE MARK(1)		*		4
3	40102068	ELECTROMAGNETIC VALVE Q ASM.		*		1
4	40049615	ELECTROMAGNETIC VALVE(Q)		*		1
5	GAK29010000	ELBOW B		*		1
6	GAKA1503000	INSULATION TUBE		*		1
7	HK03464000A	TERMINAL FEMALE		*		4
8	HK034610180	CONNECTOR		*		1
9	BT0600401EB	TUBE		*		3
10	HX00295000A	WIRE MARK(2)		*		4
11	HX00295000B	WIRE MARK(3)		*		4
12	SK3385001SE	WOOD SCREW D=3.8 L=50				4
13	SK3385001SE	WOOD SCREW D=3.8 L=50				4
14	40102069	AIR APPARATUS N ASM.	OPTIONAL PARTS			1
15	40102067	ELECTROMAGNETIC VALVE N ASM.		*		1
16	40038908	MAGNETIC VALVE(N)		*		1
17	GAK29010000	ELBOW B		*		1
18	GAKA1503000	INSULATION TUBE		*		1
19	HK03464000A	TERMINAL FEMALE		*		6
20	HK034610180	CONNECTOR		*		1
21	BT0600401EB	TUBE		*		4
22	HX002950000	WIRE MARK(1)		*		4
23	HX00295000A	WIRE MARK(2)		*		4
24	HX00295000B	WIRE MARK(3)		*		4
25	HX00295000C	WIRE MARK(4)		*		4

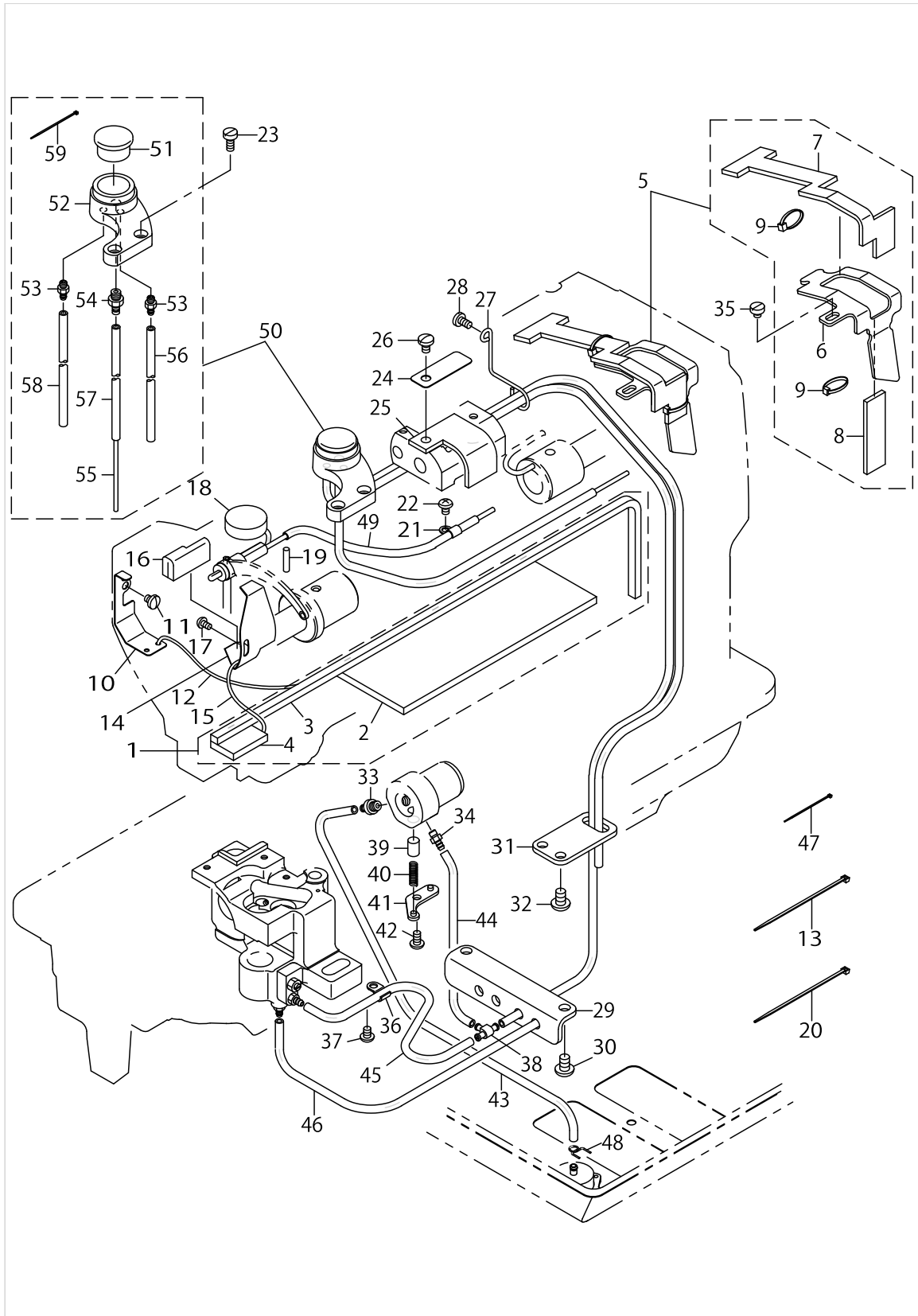
LUBRICATION COMPONENTS



LUBRICATION COMPONENTS

No.	Parts No.	Parts name	Remarks	Level	Cons	Qty
1	21345756	ARM ONCE THROUGH OIL FELT ASM.				1
2	21345707	ARM ONCE THROUGH FELT A		*		1
3	21345806	FELT B		*		1
4	21345905	FACE ONCE THROUGH FELT		*		1
5	21346358	FELT SUPPORT ASM.				1
6	21346309	FELT		*		1
7	21346507	FEED CHANGE FELT		*		1
8	21346408	FELT		*		1
9	EA9500B0000	CLIP CV-70S		*		2
10	21340708	UPPER FEED OIL BAR PLATE				1
11	SS7110510SP	SCREW 11/64-40 L=5				1
12	CQ202000000	OIL WICK				0.2
13	EA9500B0100	CABLE BAND				1
14	21347000	TAKE-UP OIL PLATE				1
15	CQ202000000	OIL WICK				0.25
16	21347208	TAKE-UP LUBRICATION FELT				1
17	SS3090610SP	SCREW 9/64-40 L=6				1
18	21346002	FELT				1
19	B1412051000	FELT				1
20	A407855000A	CLIP BAND				1
21	B3538112000	OIL RETURN TUBE HOLDER				1
22	SS4110615SP	SCREW 11/64-40 L=6				1
23	SS6111010TP	SCREW 11/64-40 L=9.5				2
24	21346101	LUBRICATION FELT PRESSER				1
25	21346200	MUTUAL VERTICAL CHANGE FELT				1
26	SS7120760SP	SCREW 3/16-28 L=7.0				1
27	21346606	PIPE SUPPORT				1
28	SS7110830SP	SCREW 11/64-40 L=7.5				1
29	21345103	LUBRICATION BRACKET				1
30	SS4150915SP	SCREW 15/64-28 L=9				2
31	21345202	OIL PIPE STAY				1
32	SS4150915SP	SCREW 15/64-28 L=9				2
33	40064409	CONNECTION SCREW ASM.				1
34	SQ1110401MZ	CONNECTING SCREW				1
35	SS6110480SP	SCREW 11/64-40 L=4.3				1
36	B3538112000	OIL RETURN TUBE HOLDER				1
37	SS4110615SP	SCREW 11/64-40 L=6				1
38	13765607	OIL CONNEC. ARM				1
39	B3534155000	PLUNGER				1
40	B1214038000	PLUNGER SPRING				1
41	B3524552000	PLUNGER THRUST PLATE				1
42	SS4110815SP	SCREW 11/64-40 L=8				1
43	23630007	TUBE				0.36
44	23630007	TUBE				0.16
45	23630007	TUBE				0.22
46	23630007	TUBE				0.35
47	EA9500B0100	CABLE BAND				11




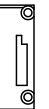
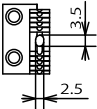
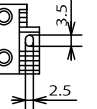
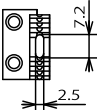
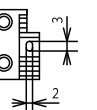
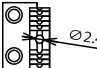
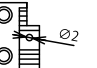
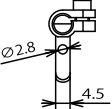
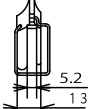
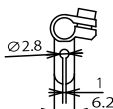
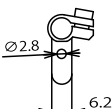
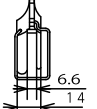
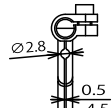
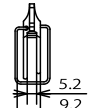
LUBRICATION COMPONENTS



LUBRICATION COMPONENTS

No.	Parts No.	Parts name	Remarks	Level	Cons	Qty
48	10126803	OIL TUBE HOLDER				1
49	BT0600402EA	OIL TUBE				0.12
50	40051503	ARM OIL TANK ASM.				1
51	B3520586000	OIL SIGHT WINDOW		*		1
52	21345608	ARM OIL TANK		*		1
53	SQ1110401MZ	CONNECTING SCREW		*		2
54	SQ1150451MZ	CONNECTING SCREW		*		1
55	CQ252000000	OIL WICK		*		0.7
56	23630007	TUBE		*		0.5
57	23630007	TUBE		*		0.2
58	23630007	TUBE		*		0.6
59	EA9500B0100	CABLE BAND		*		3

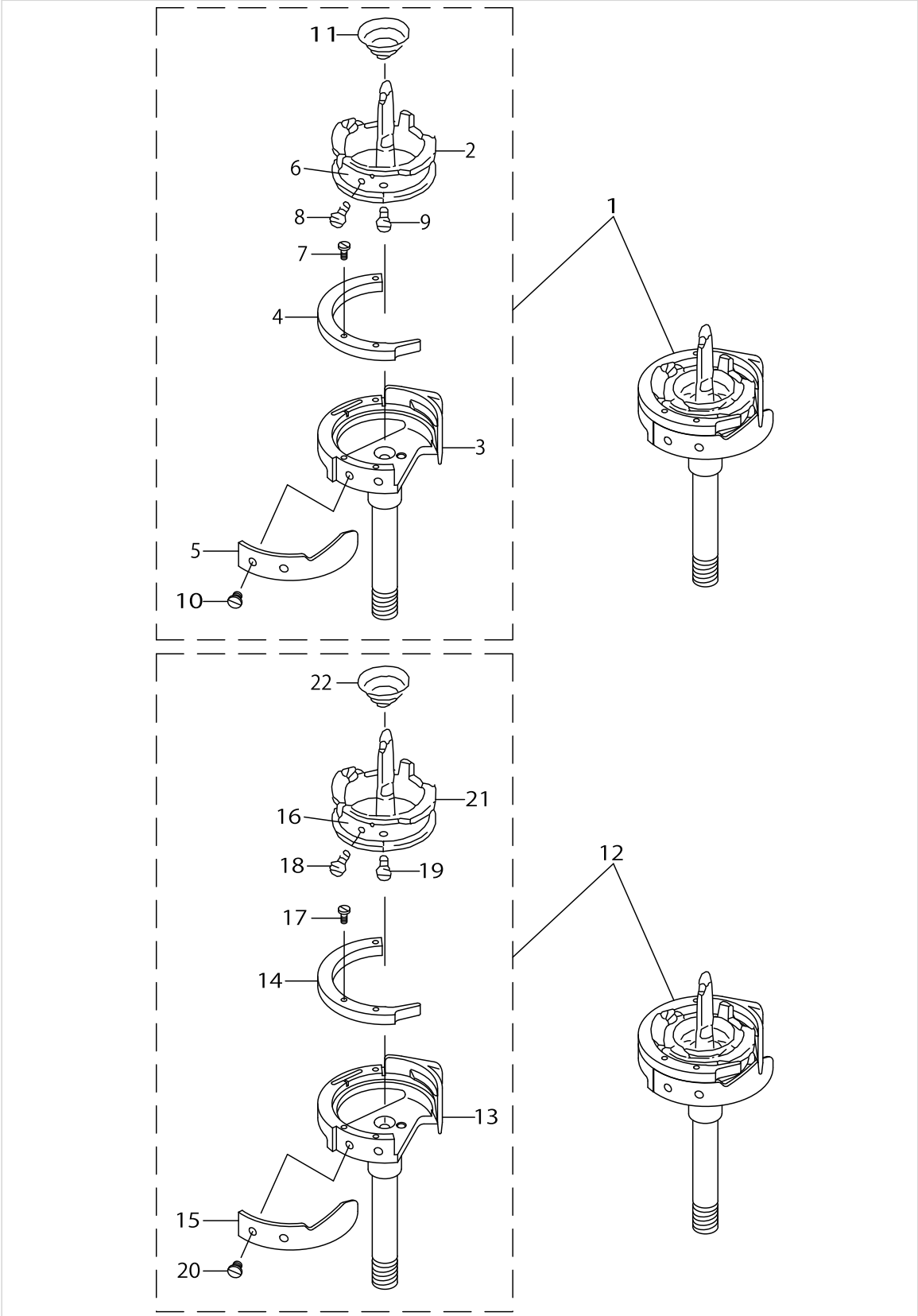
GAUGE COMPONENTS

Item 品名		LU-1510N-7		LU-1510NA-7		
Throat plate 針板	Standard 標準					
		Ref.No.	1	Ref.No.	3	
		Parts No.	B1109-563-000	Parts No.	400-41238	
	Without teeth 歯なし Option オプション					
Ref.No.		2	Ref.No.	4		
	Parts No.	B1109-562-D00	Parts No.	400-51724		
Feed dog 送り歯	Standard 標準					
		Ref.No.	5	Ref.No.	8	
		Parts No.	213-49204	Parts No.	400-51616	
	Option オプション					
		Ref.No.	6	Ref.No.	9	
		Parts No.	213-49303	Parts No.	400-41248	
						
	Ref.No.	7	Ref.No.	10		
	Parts No.	B1613-563-E00	Parts No.	400-51615		
		Working foot 中足		Presser foot 押え足		
LU-1510N-7	Standard 標準					
		Ref.No.	11	Ref.No.	14	
		Parts No.	B1470-053-0A0	Parts No.	213-50152	
	Option オプション					
Ref.No.		17	12	Ref.No.	15	
	Parts No.	D1470-241-EAA	D1470-241-EA0	Parts No.	B1525-241-HA0	
LU-1510NA-7	Standard 標準					
		Ref.No.	13	Ref.No.	16	
	Parts No.	400-41246	Parts No.	400-41243		

GAUGE COMPONENTS

No.	Parts No.	Parts name	Remarks	Level	Cons	Qty
1	B1109563000	THROAT PLATE				1
2	B1109562D00	THROAT PLATE				1
3	40041238	NEEDLE PLATE(FOR AM)				1
4	40051724	NEEDLE PLATE(WITHOUT TEETH)				1
5	21349204	FEED DOG (2.5X3.5)				1
6	21349303	FEED DOG (2.5X7.2)				1
7	B1613563E00	FEED DOG				1
8	40051616	FEED DOG(2.5-3.5)				1
9	40041248	FEED DOG(2.0-3.0)(FOR AM)				1
10	40051615	FEED DOG(2MM)				1
11	B14700530A0	WALKING FOOT ASM.				1
12	D1470241EA0	WALKING FOOT ASM.				1
13	40041246	UPPER FEED FOOT(FOR AM)ASM.				1
14	21350152	PRESSER FOOT ASM.				1
15	B1525241HA0	PRESSER FOOT ASM.				1
16	40041243	PRESSER FOOT(FOR AM)				1
17	D1470241EAA	WALKING FOOT ASM.				1

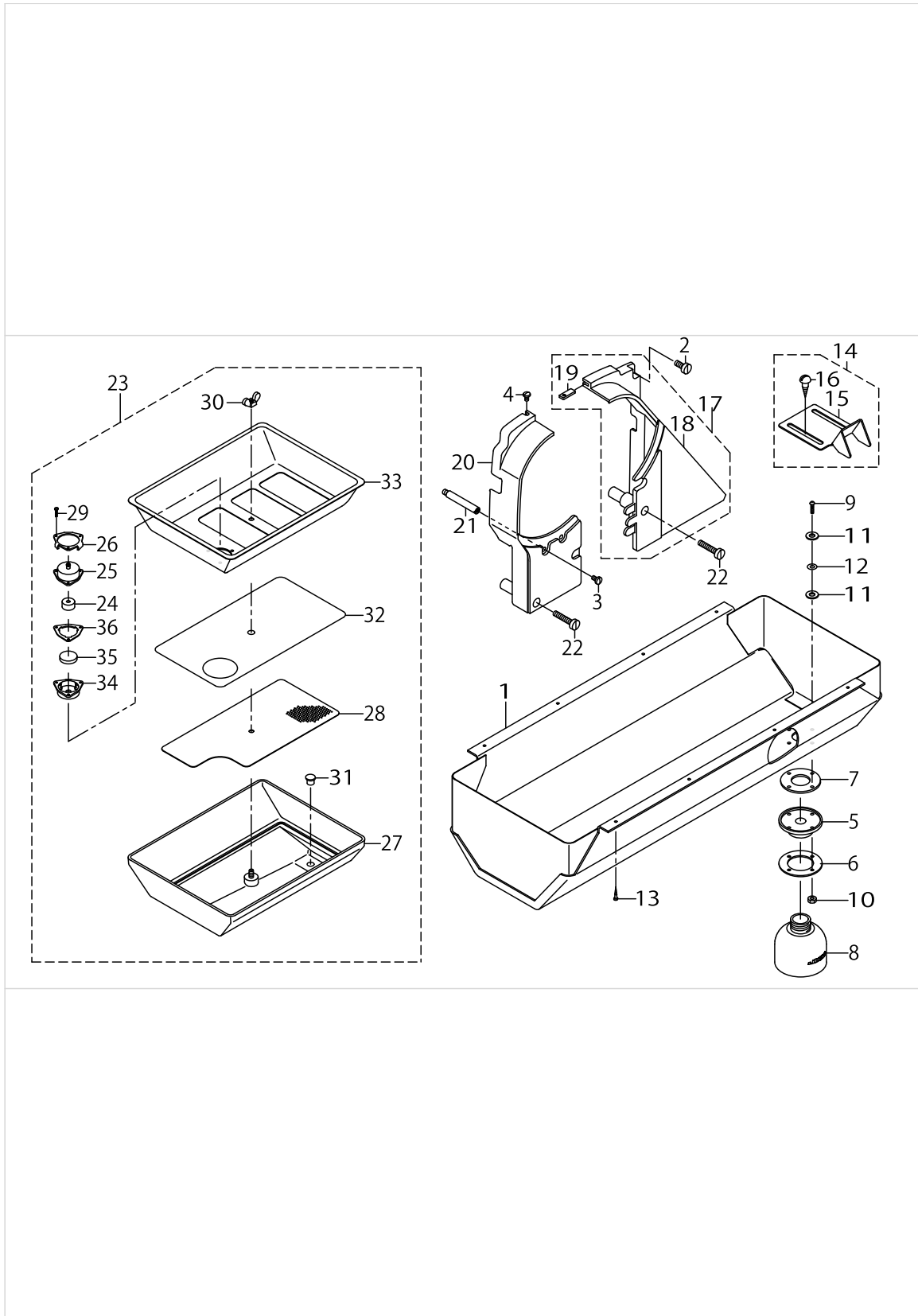
HOOK COMPONENTS



HOOK COMPONENTS

No.	Parts No.	Parts name	Remarks	Level	Cons	Qty
1	21387055	THREAD TRIMMER HOOK ASM.	FOR LU-1510N-7			1
2	21387006	INNER HOOK		*		1
3	21334503	OUTER HOOK		*		1
4	B1830563B0A	INNER HOOK HOLDER B		*		1
5	21334206	NEEDLE HOLDER		*		1
6	10722908	TENSION SPRING		*		1
7	10112803	SCREW		*		3
8	10723302	ADJUSTING SCREW		*		1
9	10723401	TENSION SPRING SETSCREW		*		1
10	22814008	SCREW		*		2
11	10723500	IDLING PREVENTION SPRING		*		1
12	40079022	THREAD TRIMMER HOOK ASM.	FOR LU-1510NA-7			1
13	40079894	OUTER HOOK		*		1
14	40079897	INNER HOOK HOLDER		*		1
15	40079896	NEEDLE HOLDER		*		1
16	40079898	TENTION SPRING		*		1
17	40079904	INNER HOOK HOLDER SETSCREW		*		3
18	40079899	ADJUSTING SCREW		*		1
19	40079900	TENTION SPRING SETSCREW		*		1
20	40079905	NEEDLE HOLDER SETSCREW		*		2
21	40079895	INNER HOOK		*		1
22	40079912	IDLING PRIVENTION SPRING		*		1

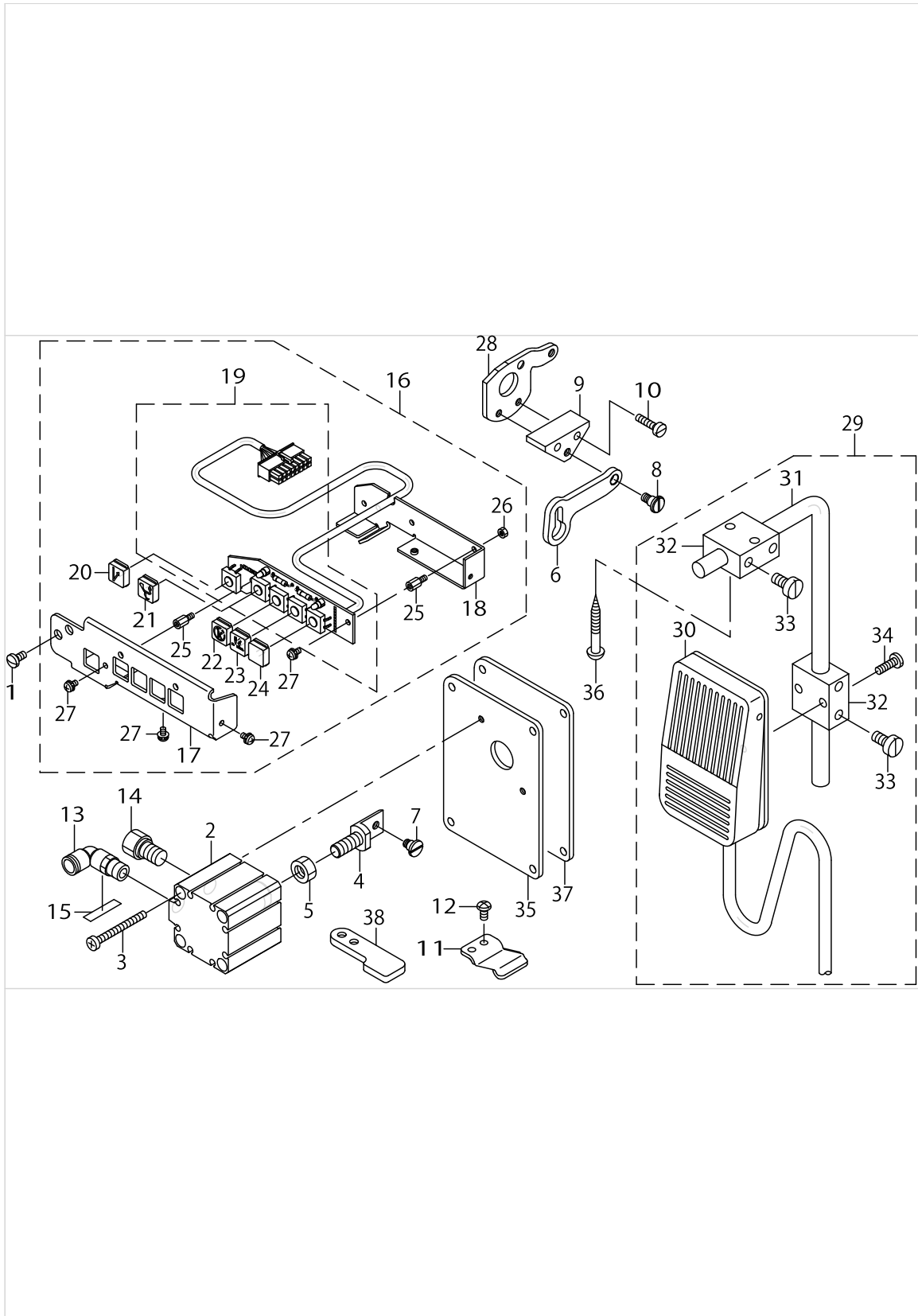
BELT COVER & OIL RESERVOIR COMPONENTS



BELT COVER & OIL RESERVOIR COMPONENTS

No.	Parts No.	Parts name	Remarks	Level	Cons	Qty
1	21351457	OIL RESERVOIR ASM.				1
2	SS6151440SP	SCREW 15/64-28 L=14				1
3	SS7110840SP	SCREW 11/64-40 L=7.8				1
4	SS5110740TP	SCREW 11/64-40 L= 6.5				1
5	40025299	OIL POT JOINT				1
6	21379003	OIL MANAGEMENT WASHER				1
7	B8112220000	OIL SEAL				1
8	40025300	OIL POT				1
9	SM3031401SE	SCREW M3X0.5 L=14				4
10	NM6030001SC	NUT M3				4
11	10748101	OIL REMOVING SETSCREW PACKING				8
12	WP0320501SC	WASHER M3				4
13	SK3241601SC	WOOD SCREW D=2.4 L=16				8
14	10755254	BELT COVER C ASM. (FOR JE)				1
15	10755205	BELT COVER C(JE)		*		1
16	SK3482500SC	WOOD SCREW D=4.8 L=25		*		2
17	21351150	BELT COVER ASM. (RIGHT)				1
18	21351101	BELT COVER (RIGHT)		*		1
19	21351002	BELT COVER AUXILIARY PLATE		*		1
20	21351200	BELT COVER (LEFT)				1
21	D8232241E00	BELT COVER SUPPORT A				1
22	SS6153040SP	SCREW 15/64-28 L=30				2
23	21345350	OIL TANK ASM.				1
24	10727303	FILTER		*		1
25	10727204	FILTER CAP		*		1
26	10753002	FILTER PLATE		*		1
27	21345301	OIL TANK		*		1
28	21346804	COVER(LOWER)		*		1
29	SM6021000TP	SCREW		*		3
30	NM9050001SC	WING NUT M5X0.8		*		1
31	TA0800704R0	RUBBER PLUG		*		1
32	21346903	FILTER		*		1
33	21346705	COVER(REAR)		*		1
34	21345509	FILTER CASE		*		1
35	B8228125000	OIL RESERVOIR MAGNET		*		1
36	10739209	FILTER PACKING		*		1

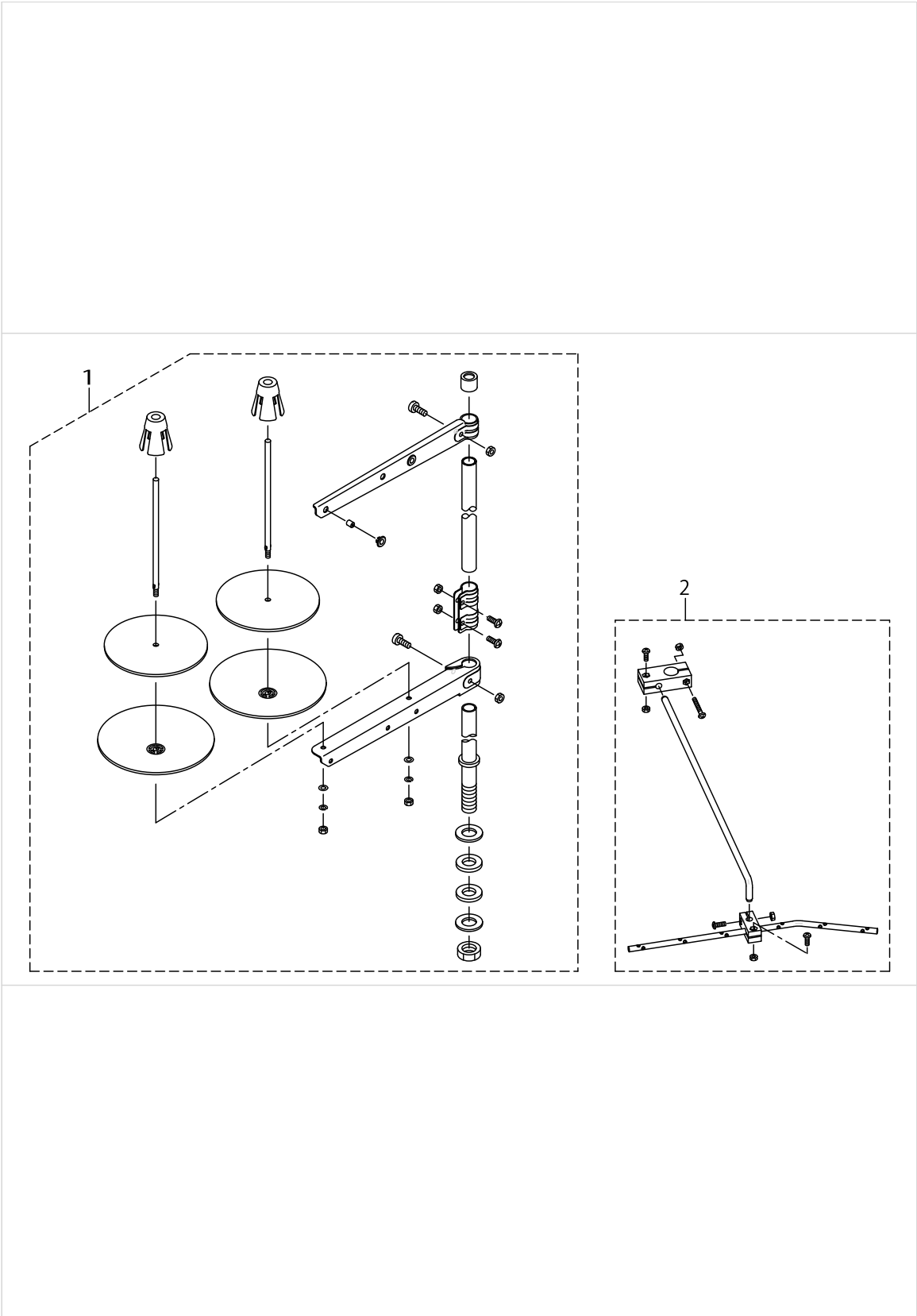
DL MECHANISM (OPTION) COMPONENTS



DL MECHANISM (OPTION) COMPONENTS

No.	Parts No.	Parts name	Remarks	Level	Cons	Qty
1	SS7110840SP	SCREW 11/64-40 L=7.8				2
2	PA320200100	JIG CYLINDER				1
3	SM6044002TP	SCREW				2
4	21438403	CYLYNDER CONNECTING SCREW				1
5	NM6080721SE	NUT M8				1
6	21438502	MUTUAL VERTICAL LINK				1
7	SD0600403TP	HINGE SCREW				1
8	SD0600454TP	SHOULDER SCREW				1
9	21438601	MUTUAL VERTICAL LINK SPASER				1
10	SS6111610SP	SCREW 11/64-40 L=16				2
11	21438700	MUTUAL VERTICAL LINK SUPPORT				1
12	SS4110815SP	SCREW 11/64-40 L=8				2
13	PJ304065101	ELBOW UNION 6XPT1/8				1
14	PX015101000	MUFFLER				1
15	HX00295000C	WIRE MARK(4)				1
16	40102062	5RANGE SWITCH ASM.				1
17	21442603	SWITCH COVER		*		1
18	21442702	SWITCH CIRCUIT FITTING BASE		*		1
19	40102061	5RANGE SWITCH SUB ASM.		*		1
20	21442900	KEY TOP A		*		1
21	21443007	KEY TOP B		*		1
22	21443106	KEY TOP C		*		1
23	21443205	KEY TOP D		*		1
24	21443809	KEY TOP F		*		1
25	HX00354000N	SPACER		*		4
26	NM6030001SC	NUT M3		*		3
27	SL4030631SC	SCREW M3X6		*		4
28	21438106	STOPPER PLATE B				1
29	40025036	KNEE SWITCH ASM.				1
30	40025035	KNEE SWITCH ASM.		*		1
31	MAT80231T00	DRIVING BAR T002		*		1
32	MAT80230T00	KNEE SWITCH SUPPORT BASE		*		2
33	SS6151220SP	SCREW 15/64-28 L=11.5		*		4
34	SS7111410SP	SCREW 11/64-40 L=14		*		2
35	21437207	WINDOW PLATE F				1
36	SK3514000SC	WOOD SCREW D=5.1 L=40				2
37	21437306	WINDOW PLATE E PACKING				1
38	21438205	UPPER FEED STOPPER PLATE				1

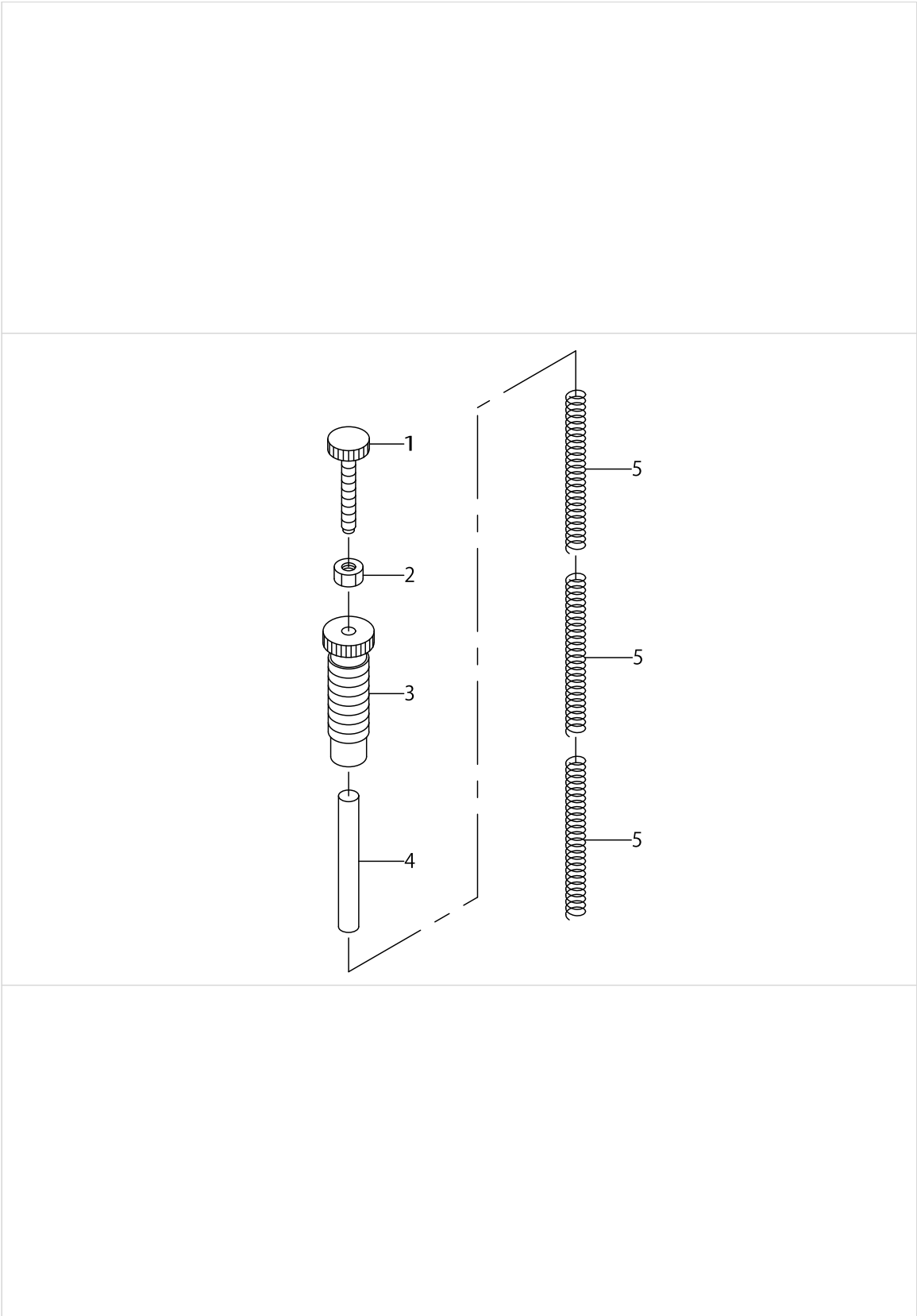
THREAD STAND COMPONENTS



THREAD STAND COMPONENTS

No.	Parts No.	Parts name	Remarks	Level	Cons	Qty
1	40096354	THREAD STAND ASM.				1
2	26910059	THREAD GUIDE ARM ASM.				1

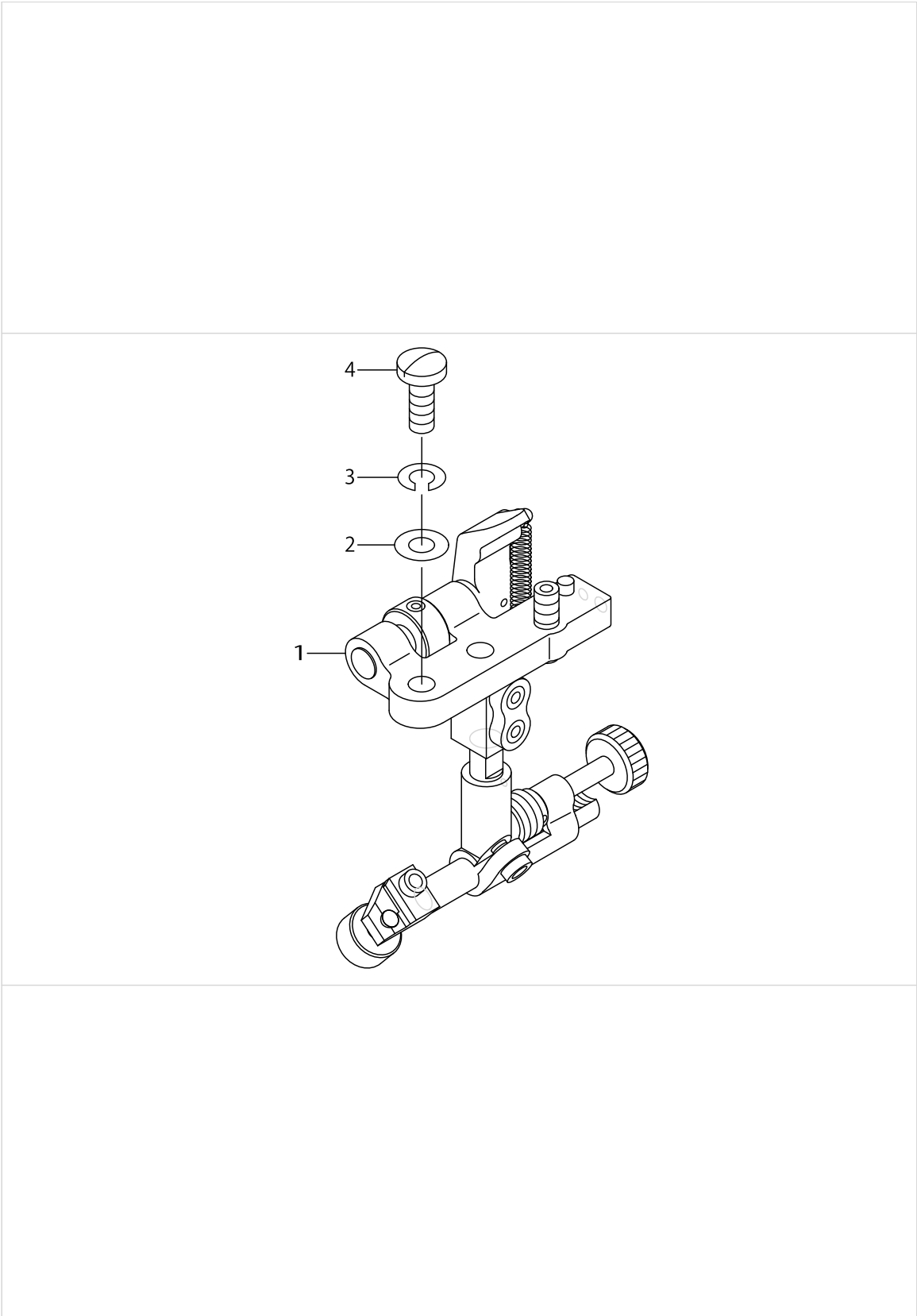
OPTIONAL PARTS (ADDITIONAL SPRING FOR PRESSER BAR) COMPONENTS



OPTIONAL PARTS (ADDITIONAL SPRING FOR PRESSER BAR) COMPONENTS

No.	Parts No.	Parts name	Remarks	Level	Cons	Qty
1	21006507	ADJUST SCREW B				1
2	NS6110530SP	NUT 11/64-40				1
3	21006408	ADJUST SCREW A				1
4	21342407	GUIDE SHAFT				1
5	21006002	ADJUST SPRING B				3

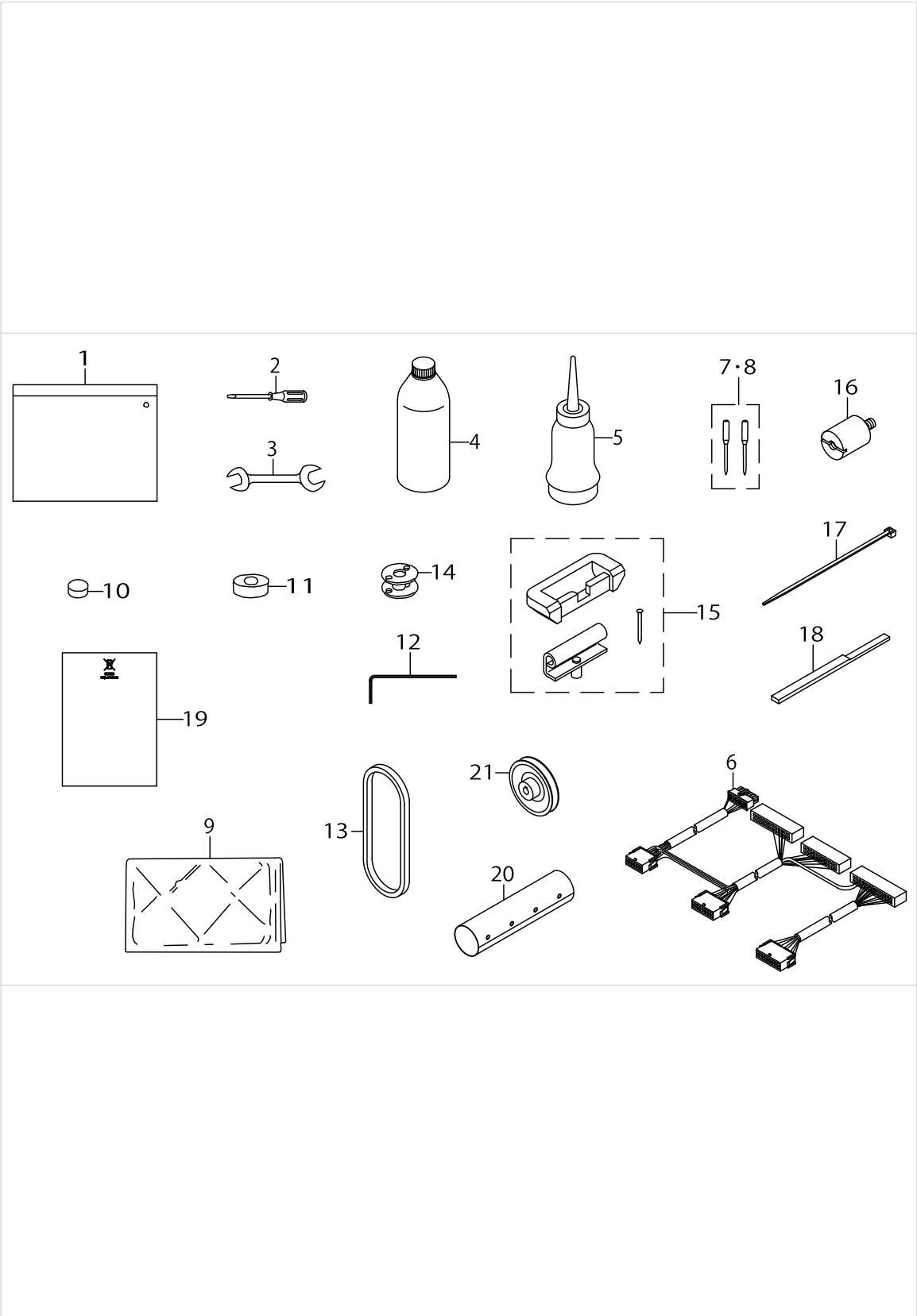
SUSPENSION SQUARE (OPTION) COMPONENTS



SUSPENSION SQUARE (OPTION) COMPONENTS

No.	Parts No.	Parts name	Remarks	Level	Cons	Qty
1	MAH152010A0	RULER				1
2	WP0621016SD	WASHER 6.2X13X1				2
3	WS0610002KN	SPRING WASHER 6.1X12.2X1.5				2
4	SS7151610SP	SCREW 15/64-28 L=16				2















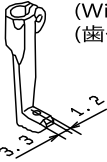

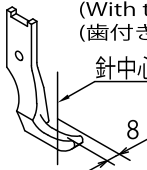
ACCESSORIES PARTS COMPONENTS



ACCESSORIES PARTS COMPONENTS

No.	Parts No.	Parts name	Remarks	Level	Cons	Qty
1	21413158	ACCESSORY BAG ASM.				1
2	22933006	SCREW DRIVER LARGE				1
3	B9113012000	WRENCH (9X10)				1
4	MDFRX2700C0	NEW DEFRIX OIL NO.2(700CC)				1
5	J1067000000	OILER				1
6	40101742	RELAY CORD ASM.				1
7	M13517B1602	NEEDLE 135X17 #160-2				1
8	M13517B1202	NEEDLE 135X17 #120-2	FOR LU-1510NA-7			1
9	22933303	VINYL COVER				1
10	B8206012000	FELT CUSHION				4
11	B8209012000	RUBBER CUSHION				4
12	40079298	WRENCH	FOR LU-1510NA-7			1
13	MTJVH00430A	V BELT 43INCH				1
14	21334800	ALUMINUM BOBBIN WITH KNURL	COMPLETE SET DELIVERY ONLY			1
15	21413257	RUBBER HINGE ASM.				1
16	40101368	PANEL STUD				2
17	EA9500B0100	CABLE BAND				3
18	21390307	FIXING KNIFE GAUGE				1
19	CM600100201	WEEE INFORMATION SHEET				1
20	40102736	BUTTON TUBE				0.35
21	MTSP00900B0	MOTOR PULLEY ASM. P.C.D 90				1

OPTIONAL PARTS COMPONENTS (1)

Item	Walking foot		Item	Presser foot					
	品名	中足		品名	外足				
For piping パイピング用	 (Commonly used for every size of presser foot) (各サイズ共用)		 	Ref.No.	Part No.	Size(mm)	Ref.No.	Part No.	
				1	B1478-245-000	4.4mm(5/32)	12	B1530-245-0AC	
						4.8mm(3/16)	13	B1530-245-0AD	
						6.4mm(1/4)	14	B1530-245-0AF	
						7.9mm(5/16)	15	B1530-245-0AH	
						9.5mm(3/8)	16	B1530-245-0AK	
	 		 	Size(mm)	Ref.No.	Part No.	Size(mm)	Ref.No.	Part No.
				4.4mm(5/32)	2	B1478-245-000	4.4mm(5/32)	17	B1531-245-0AC
				4.8mm(3/16)	3	B1479-245-00D	4.8mm(3/16)	18	B1531-245-0AD
				6.4mm(1/4)	4	B1479-245-00F	6.4mm(1/4)	19	B1531-245-0AF
7.9mm(5/16)				5	B1479-245-00H	7.9mm(5/16)	20	B1531-245-0AH	
9.5mm(3/8)						9.5mm(3/8)			
 		 	Size(mm)	Ref.No.	Part No.	Size(mm)	Ref.No.	Part No.	
			4.4mm(5/32)	6	B1474-245-00C	4.4mm(5/32)	21	B1527-245-0AC	
			4.8mm(3/16)	7	B1474-245-00D	4.8mm(3/16)	22	B1527-245-0AD	
			6.4mm(1/4)	8	B1474-245-00F	6.4mm(1/4)	23	B1527-245-0AF	
			7.9mm(5/16)	9	B1474-245-00H	7.9mm(5/16)	24	B1527-245-0AH	
			9.5mm(3/8)	10	B1474-245-00K	9.5mm(3/8)	25	B1527-245-0AK	
 (With teeth) (歯付き)		 (With teeth) (歯付き) 針中心	Ref.No.	Part No.	Ref.No.	Part No.			
			11	103-38309	26	B1525-563-SA0			

OPTIONAL PARTS COMPONENTS (1)

No.	Parts No.	Parts name	Remarks	Level	Cons	Qty
1	B1478245000	INNER PRESSER				1
2	B1478245000	INNER PRESSER				1
3	B147924500D	CENTER PRESSER FOOT 3/16				1
4	B147924500F	BACK CUT INNER PRESSER 1/4				1
5	B147924500H	BACK CUT INNER PRESSER 5/16				1
6	B147424500C	INNER PRESSER 5/32				1
7	B147424500D	INNER PRESSER (BLADE) 3/16				1
8	B147424500F	WALKING FOOT F				1
9	B147424500H	INNER PRESSER 5/16				1
10	B147424500K	CENTER PRESSER FOOT 3/8				1
11	10338309	UPPER FEED FOOT				1
12	B15302450AC	OUTER PRESSER ASM. 5/32				1
13	B15302450AD	OUTER PRESSER FOOT ASM. 3/16				1
14	B15302450AF	OUTER PRESSER FOOT 1/4 ASM.				1
15	B15302450AH	OUTER PRESSER FOOT ASM. (5/16)				1
16	B15302450AK	OUTER PRESSER FOOT ASM. (3/8)				1
17	B15312450AC	OUTER PRESSER ASM. 5/32				1
18	B15312450AD	OUTER PRESSER FOOT ASM. 3/16				1
19	B15312450AF	OUTER PRESSER ASM. 1/4				1
20	B15312450AH	FEEDING FRAME 5/16 ASM.				1
21	B15272450AC	OUTER PRESSER FOOT ASM. 5/32				1
22	B15272450AD	FEEDING FRAME 3/16 ASM.				1
23	B15272450AF	OUTER PRESSER ASM. 1/4				1
24	B15272450AH	OUTER PRESSER FOOT ASM. 5/16				1
25	B15272450AK	OUTER PRESSER FOOT ASM.3/8				1
26	B1525563SA0	PRESSER FOOT ASM.				1

OPTIONAL PARTS COMPONENTS (2)

Item 品名	Walking foot 中足	Presser foot 外足	Item 品名	Walking foot 中足	Presser foot 外足
Ref.No.	1	6	Ref.No.	10	11
Part No.	MAQ-09307000	MAQ-093080A0	Part No.	B1470-245-000	B1524-245-0A0
		/	Feed driving eccentric 上下送り加		
Ref.No.	2				
Part No.	MAN-10452000		Ref.No.	12	13
			Part No.	B1840-051-000	213-78104
Ref.No.	3	7			
Part No.	B1476-245-00A	B1529-245-0AA			
Ref.No.	4	8			
Part No.	103-25306	103-25157			
Ref.No.	5	9			
Part No.	103-26205	103-26304			

OPTIONAL PARTS COMPONENTS (2)

No.	Parts No.	Parts name	Remarks	Level	Cons	Qty
1	MAQ09307000	WALKING FOOT				1
2	MAN10452000	UPPER FEED FOOT				1
3	B147624500A	INNER PRESSER				1
4	10325306	WALKING FOOT				1
5	10326205	UPPER FEED FOOT				1
6	MAQ093080A0	PRESSER FOOT ASM.				1
7	B15292450AA	OUTER PRESSER FOOT ASM. RIGHT				1
8	10325157	PRESSER FOOT ASM.				1
9	10326304	PRESSER FOOT				1
10	B1470245000	WALKING FOOT				1
11	B15242450A0	PRESSER FOOT ASM.				1
12	B1840051000	FEED DRIVING ECCENTRIC				1
13	21378104	FEED DRIVING ECCENTRIC				1

LIST FOR INFORMATION OF CHANGE

As to the place changed, refer to the corresponding Rev.No.
 When previous parts(Obsoleted part)and new parts(Added parts)are
 not interchangeable with each other:
 In this case,even obsoleted parts(D.)can be ordered with the
 obsoleted part number,so select the parts with changed dates and
 place your orders.

変更箇所は、該当Rev.No.版をご参照ください。
 部品の互換性がない変更の場合は、削除された品番でも、ご注文できます。
 29359106

No.1338-・・Rev.No.

*A:Added parts追加部品/D:Obsoleted parts削除部品/E:Erratum訂正

*	Rev. No.	Page 頁	Ref. No.	Parts No. 品番	*	Rev. No.	Page 頁	Ref. No.	Parts No. 品番
D	11	4	20	213-36557					
D	11	4	21	213-36508	A	12	4	21	401-97296
D	11	12	53	213-36706					
D	11	12	69	213-87402					

HOW TO MAKE USE OF THIS PARTS LIST

1.Explanation of codes

1)"*"mark.....means this part is changed from the previous parts book.

As to the details of the change, refer to the "List for information of change".

2)"#01".....refer to "Note" explanation at bottom of page.

2.Codes on the "Qty" column

• Each numeral indicates the number of parts required.

• "0.1" and "2.5" indicate the length (in meters) of the respective parts.

3.Parentheses mean that the corresponding part is a subpart that constructs an assembly part.

4.Dotted lines on the Figures indicate assembly parts.

1."注記"欄の記号説明

1) "*"印.....前回のパーツブックに比較して今回変更された部品を意味します。

変更内容は、"変更情報リスト"を参照してください。

2) "#01".....ページ下の"注記"の説明を参照してください。

2.数量欄の数字は、個数を表し、0.1、2.5等の数値は、長さ（単位メートル）を表します。

3.数量欄の（ ）は、組部品を構成している子部品であることを意味します。

4.イラストページの-----枠は、組構成であることを意味します。

NUMERICAL INDEX OF PARTS

PART NO	PAGE	REF NO.	PART NO	PAGE	REF NO.	PART NO	PAGE	REF NO.
10109700	22	13·44~ 51	10714608	16	6	21333307	6	30
			10715100	16	14	21333604	22	25
10109809	22	13·44~ 51	10715308	16	20	21333901	8	49
10109908	22	16	10715704	16	16	21334206	52	5
10110906	24	13·44~ 51	10716504	16	30	21334503	52	3
			10718203	16	23	21334701	22	15
10111003	24	13·44~ 51	10722908	52	6	21334800	22	24
			10723302	52	8	21334800	64	14
10111102	22	13·44~ 51	10723401	52	9	21334909	22	2
			10723500	52	11	21335500	22	6
10111201	24	13·44~ 51	10727204	54	25	21335708	22	7
10112407	22	17	10727303	54	24	21335807	22	10
10112506	24	13·44~ 51	10739209	54	36	21336300	20	60
			10741106	34	14	21336607	20	49
10112605	24	13·44~ 51	10741106	36	14	21336656	20	48
			10748101	54	11	21336805	18	41
10112704	22	13·44~ 51	10753002	54	26	21337209	18	38
10112803	52	7	10755205	54	15	21337308	18	33
10116804	26	21	10755254	54	14	21337407	18	26
10124204	34	13	10774305	16	12	21337506	18	23
10124204	36	13	10774354	16	11	21337605	18	35
10126803	48	48	10774404	16	13	21337704	18	24
10201200	4	53	11045101	36	15	21337803	16	9
10205201	18	20	11072402	36	16	21337803	18	27
10320109	34	3	11956802	36	12	21337902	18	31
10320109	36	3	13138201	34	8	21338306	18	29
10320208	36	6	13138201	36	8	21338405	10	32
10321107	34	24~26	13765607	46	38	21338504	10	3
10321107	36	24~26	14512503	38	17	21338603	10	18
10325157	68	8	17912106	2	26	21338801	10	20
10325306	68	4	21006002	60	5	21338900	10	22
10326205	68	5	21006408	60	3	21339007	10	28
10326304	68	9	21006507	60	1	21339056	10	27
10338309	66	11	21048707	14	51	21339106	6	8
10502300	38	21	21331301	2	4	21339304	10	25
10509701	12	22	21331608	2	18	21339601	16	25
10604809	6	6	21332002	4	56·62	21339700	16	27
10618304	38	8	21332101	4	50	21339809	16	33
10622009	4	69	21332200	2	46	21340005	14	58
10704807	38	19	21332507	6	13	21340302	14	53
10713501	16	29	21332606	8	55	21340401	12	1
10713600	14	50	21332705	6	1	21340500	12	2
10713758	14	49	21333000	6	2	21340708	46	10
10713808	14	57	21333109	6	18	21340906	12	37
10714202	16	24	21333208	6	3	21341151	12	41

NUMERICAL INDEX OF PARTS

PART NO	PAGE	REF NO.	PART NO	PAGE	REF NO.	PART NO	PAGE	REF NO.
21341508	16	22	21351457	54	1	21388509	40	6
21341607	16	19	21353008	6	23	21388608	30	27
21342407	60	4	21353701	26	18	21389200	26	1
21343207	4	58	21353750	26	17	21389309	26	6
21345103	46	29	21354006	26	20	21389408	26	7·11
21345202	46	31	21354105	26	31	21389507	26	10
21345301	54	27	21354204	26	32	21389556	26	4·5
21345350	54	23	21354501	26	15	21389705	26	37
21345509	54	34	21354600	26	42	21389911	26	35
21345608	48	52	21354709	26	45	21390000	22	1
21345707	46	2	21354907	28	55	21390208	28	52
21345756	46	1	21355102	26	41	21390307	64	18
21345806	46	3	21355706	38	24	21402300	6	27
21345905	46	4	21355755	38	23	21405204	10	2
21346002	46	18	21355904	2	6	21406103	12	43
21346101	46	24	21356001	38	6	21406509	12	28
21346200	46	25	21356308	40	11	21406608	12	44
21346309	46	6	21356407	40	12	21407200	20	72
21346358	46	5	21356506	40	3	21407309	20	76
21346408	46	8	21356704	40	9	21407408	20	53
21346507	46	7	21356803	40	7	21408505	2	29
21346606	46	27	21357959	38	3	21408554	2	24·25
21346705	54	33	21357967	38	1	21413158	64	1
21346804	54	28	21358205	38	9	21413257	64	15
21346903	54	32	21363106	32	3	21427000	8	58
21347000	46	14	21364104	18	10	21427059	8	57
21347109	12	13	21378104	22	31·33	21427307	22	26
21347208	46	16	21378104	68	13	21430400	20	67
21347406	10	30	21378302	12	5	21437108	4	64
21348206	34	24~26	21378302	18	13	21437207	56	35
21348206	36	24~26	21378401	22	14	21437306	2	11
21348503	30	6	21378708	38	29	21437306	56	37
21348602	30	4	21378906	20	54	21438106	56	28
21348701	30	8	21379003	54	6	21438205	56	38
21348909	4	55·61	21387006	52	2	21438403	56	4
21349105	30	32	21387055	52	1	21438502	56	6
21349204	50	5	21387402	6	25	21438601	56	9
21349303	50	6	21387402	10	7	21438700	56	11
21349600	2	38	21387501	6	31	21441050	34	2
21349808	4	54	21387600	6	34	21441050	36	2
21350152	50	14	21387709	6	33	21441100	34	17
21351002	54	19	21387808	6	38	21441100	36	17
21351101	54	18	21387907	6	29	21441209	32	7
21351150	54	17	21388004	20	66	21441308	32	8
21351200	54	20	21388400	10	16	21441407	32	1

NUMERICAL INDEX OF PARTS

PART NO	PAGE	REF NO.	PART NO	PAGE	REF NO.	PART NO	PAGE	REF NO.
21442603	56	17	22951552	2	12	40041246	50	13
21442702	56	18	22952501	30	18	40041248	50	9
21442900	56	20	23006406	34	24~26	40041734	8	67
21443007	56	21	23006406	36	24~26	40042611	24	35·52
21443106	56	22	23024409	24	53	40049615	44	4
21443205	56	23	23630007	46	58	40049663	20	77
21443809	56	24	23630007	48	58	40051503	48	50
22537658	38	2	23636202	38	5	40051615	50	10
22538151	38	4	26225201	12	29	40051616	50	8
22538706	38	32	26226209	30	16	40051724	50	4
22602601	2	17	26910059	58	2	40056364	30	24
22603112	4	22·66	40009103	20	50	40056365	30	23
22604300	8	71	40016148	8	66	40056366	30	22
22606206	8	56	40016798	2	1	40062181	26	4·5
22609408	18	12	40018339	12	16	40062182	26	7·11
22611701	22	27	40018340	12	33	40062388	32	5
22611909	22	42	40018341	12	23	40064409	46	33
22617906	34	9	40019926	18	36	40075553	12	47
22617906	36	9	40023289	30	17	40079022	52	12
22618201	34	7	40024852	16	1	40079298	64	12
22618201	36	7	40024855	6	4	40079894	52	13
22619100	4	52	40025035	56	30	40079895	52	21
22651202	2	30	40025036	56	29	40079896	52	15
22656003	30	14	40025299	54	5	40079897	52	14
22656102	30	12	40025300	54	8	40079898	52	16
22814008	52	10	40027746	10	26	40079899	52	18
22814909	10	11	40033026	12	12	40079900	52	19
22901805	2	45	40033027	12	11	40079904	52	17
22904106	12	7	40033029	12	19	40079905	52	20
22904106	18	18	40033030	12	24	40079912	52	22
22904155	12	6	40033031	12	35	40081969	20	74
22904155	18	17	40033032	12	34	40081970	20	71
22907604	12	38	40038692	8	69	40092832	4	65
22911804	18	44	40038700	8	50	40096354	58	1
22912000	18	46	40038702	8	51	40101351	26	12
22912109	18	47	40038711	20	75	40101368	64	16
22917009	26	13	40038712	18	42	40101742	64	6
22921308	34	12	40038722	42	14	40102061	56	19
22921407	34	11	40038723	42	16	40102062	56	16
22933006	64	2	40038908	44	16	40102063	42	3
22933303	64	9	40039326	12	4	40102064	42	22
22945505	34	15	40039837	36	1	40102065	42	1
22945505	38	27	40039838	2	24·25	40102066	42	21
22945703	34	16	40041238	50	3	40102067	44	15
22945703	38	30	40041243	50	16	40102068	44	3

NUMERICAL INDEX OF PARTS

PART NO	PAGE	REF NO.	PART NO	PAGE	REF NO.	PART NO	PAGE	REF NO.
40102069	44	14	B1437051000	10	6	B1639051000	6	46
40102070	44	1	B1462053000	12	42	B18035150A0	22	29
40102736	64	20	B14670530A0	12	25	B1816051000	22	40
40103925	34	1	B1467563000	10	14	B1817051000	22	35·52
40104355	18	1	B1468053000	12	26	B1821051000	22	3
40104356	18	2	B14700530A0	50	11	B1830563B0A	52	4
40104357	18	3	B1470245000	68	10	B1834512000A	22	21
40104367	6	44	B147424500C	66	6	B1840051000	22	31·33
40104368	26	25	B147424500D	66	7	B1840051000	68	12
40104369	26	23	B147424500F	66	8	B1906051000	6	5
40107618	42	17	B147424500H	66	9	B1907526000	6	20
40107949	16	4	B147424500K	66	10	B3025141H00A	18	15
40107950	4	49	B147624500A	68	3	B3120125000	36	11
40108541	20	57	B1478245000	66	2	B3125012000	34	6
40108542	16	15	B147924500D	66	3	B3128051000	36	4
40108675	2	22·66	B147924500F	66	4	B3128520000	34	4
40113092	38	28	B147924500H	66	5	B3129526000	34	10
40113224	6	36	B1501241H00	12	31	B3129526000	36	10
40119279	26	22	B1502246000	12	39·56	B31375270A0	34	5
40125273	2	20	B1510141H00	14	39·56	B31375270A0	36	5
40143083	6	26	B1510155000	12	32	B3138512000	2	32
40152631	2	3	B15242450A0	68	11	B3205210000	38	10
40162860	22	38	B1525241HA0	50	15	B3416552000	16	31
40197296	6	21	B1525563SA0	66	26	B3520586000	48	51
A407855000A	46	20	B152652700G	16	17	B3524552000	46	41
B1109562D00	50	2	B15272450AC	66	21	B3534155000	46	39
B1109563000	50	1	B15272450AD	66	22	B3538112000	46	36
B1111563000	2	34	B15272450AF	66	23	B8112220000	54	7
B1132521000	2	27	B15272450AH	66	24	B8206012000	64	10
B1148555000	38	11	B15272450AK	66	25	B8209012000	64	11
B1210051000	6	11	B15292450AA	68	7	B8228125000	54	35
B1214019000	6	32	B152989000CA	38	7	B9113012000	64	3
B1214038000	46	40	B15302450AC	66	12	BT0600401EB	42	28
B1308055000	6	35	B15302450AD	66	13	BT0600401EB	44	21
B1310055000	6	37	B15302450AF	66	14	BT0600402EA	48	49
B1313055000	6	47	B15302450AH	66	15	CM300200001	2	44
B1314055000	6	39	B15302450AK	66	16	CM300200001	40	13
B1408051000	8	68	B15312450AC	66	17	CM301300001	2	9
B1410771000	10	24	B15312450AD	66	18	CM600100201	64	19
B1411053000	10	8	B15312450AF	66	19	CQ202000000	6	19
B1412051000	10	10	B15312450AH	66	20	CQ202000000	10	4
B1412051000	46	19	B1604012000A	18	7	CQ202000000	18	51
B1414232000	10	23	B1610512000	18	39	CQ202000000	20	51
B1414555000	12	21	B1611055000	20	61	CQ202000000	22	9
B1420563000	10	1	B1613563E00	50	7	CQ202000000	46	15

NUMERICAL INDEX OF PARTS

PART NO	PAGE	REF NO.	PART NO	PAGE	REF NO.	PART NO	PAGE	REF NO.
CQ252000000	14	55	HX00123000A	6	16	NS6150430SP	30	10
CQ252000000	48	55	HX00123000A	32	13	NS6680320SP	18	22
CQ3000000F0	12	15	HX002950000	30	31	PA320150200	30	1
CQ303000000	6	9	HX002950000	42	29	PA320200100	56	2
CQ505000000	6	12	HX002950000	44	22	PA400150100	40	1
CS0700811SH	26	28	HX00295000A	40	15	PF0552170A0	42	15
CS070081BSH	26	27	HX00295000A	42	30	PJ301065104	30	20
CS1201010SH	20	62	HX00295000A	44	23	PJ304065101	40	10
CS1201011SH	20	63	HX00295000B	40	16	PJ304065101	56	13
D1470241EA0	50	12	HX00295000B	42	31	PS0600502KP	34	23
D1470241EAA	50	17	HX00295000B	44	24	PS0600502KP	36	23
D2112555B00	2	10	HX00295000C	42	32	PX015101000	30	21
D2427555B00B	26	26	HX00295000C	44	25	PX015101000	56	14
D2430555B00	26	24	HX00295000C	56	15	RC0560711KP	38	12
D3162555B00	34	21	HX00354000N	56	25	RE0500000K0	6	45
D3162555B00	36	21	J1067000000	64	5	RE0500000K0	16	32
D3162555B00	38	25	M13517B1200	10	13-33	RE0500000K0	38	13
D8232241E00	54	21	M13517B1202	64	7-8	RE0500711KP	18	8
EA9500B0000	12	14	M13517B1600	10	13-33	RE0800000K0	14	52
EA9500B0000	46	9	M13517B1602	64	7-8	RE0900000K0	20	65
EA9500B0100	2	13	M40071100AA	8	60	RO092270200	18	45
EA9500B0100	10	31	M40071100AB	8	61	RO092270200	38	14
EA9500B0100	16	5	MAH152010A0	62	1	SB120000200	8	53
EA9500B0100	28	49	MAN10452000	68	2	SD0380551SL	2	28
EA9500B0100	30	26	MAQ09307000	68	1	SD0470281SP	34	19
EA9500B0100	46	59	MAQ093080A0	68	6	SD0470281SP	36	19
EA9500B0100	48	59	MAT80230T00	56	32	SD0600403TP	56	7
EA9500B0100	64	17	MAT80231T00	56	31	SD0600454TP	56	8
GAK29009000	42	18	MDFRX2700C0	64	4	SD0640322TP	6	42
GAK29010000	42	24	MTJVH00430A	64	13	SD0640325SP	26	39
GAK29010000	44	17	MTSP00900B0	64	21	SD0640482SP	26	40
GAKA1503000	42	25	NM6030001SC	54	10	SD0720331SP	40	5
GAKA1503000	44	18	NM6030001SC	56	26	SD0800352SP	30	11
GAKA2302B00	42	4	NM6040001SN	32	10	SD0800402TP	18	34
GAKA2302C00	42	23	NM6060003SC	30	5	SD0800402TP	30	9
GTS01037000	30	25	NM6080001SE	40	4	SD0800481SP	12	40
HK034610120	28	48	NM6080721SE	56	5	SD0900701TP	18	21
HK034610180	42	27	NM7040062SB	32	11	SD1000801SH	20	55
HK034610180	44	20	NM9050001SC	54	30	SK3241601SC	54	13
HK03464000A	26	47	NS6110310SP	34	20	SK3385001SE	42	13
HK03464000A	30	28	NS6110310SP	36	20	SK3385001SE	44	13
HK03464000A	42	26	NS6110310SP	38	26	SK3482500SC	54	16
HK03464000A	44	19	NS6110420SP	22	22	SK3482501SE	42	33
HK03464000B	32	6	NS6110530SP	60	2	SK3514000SC	56	36
HX00123000A	2	41	NS6150310SP	20	59	SL4030631SC	56	27

NUMERICAL INDEX OF PARTS

PART NO	PAGE	REF NO.	PART NO	PAGE	REF NO.	PART NO	PAGE	REF NO.
SL4040881SC	16	2	SS4150915SP	46	32	SS7110710SP	20	68
SM1050801SR	16	26	SS5090610SP	2	21	SS7110830SP	10	17
SM3031401SE	54	9	SS5110740TP	54	4	SS7110830SP	16	34
SM4061001SB	42	20	SS6090520SP	38	16	SS7110830SP	46	28
SM6021000TP	54	29	SS6090620SP	38	22	SS7110840SP	30	29
SM6030802TP	26	2	SS6090810SP	22	12	SS7110840SP	54	3
SM6040800SP	38	31	SS6090910TP	12	45	SS7110840SP	56	1
SM6040802TP	26	44	SS6091022TP	10	19	SS7110910TP	10	15
SM6041202TP	28	50	SS6110480SP	46	35	SS7110910TP	12	36
SM6044002TP	56	3	SS6110520TP	20	56	SS7110910TP	18	69
SM6051002TP	40	8	SS6110630TP	16	18	SS7110910TP	20	69
SM6051402TP	16	21	SS6110710TP	26	46	SS7110910TP	32	2
SM6052002TP	14	54	SS6110810TP	38	18	SS7110910TP	34	22
SM6061202TP	4	59	SS6111010TP	46	23	SS7110910TP	36	22
SM6061602TP	30	2	SS6111140SP	2	43	SS7111120SP	26	16
SM6061802TP	18	40	SS6111140SP	26	34	SS7111120TP	16	28
SM6082002TP	40	2	SS6111210SP	8	63	SS7111410SP	18	11
SM6082502TP	22	20	SS6111610SP	18	37	SS7111410SP	56	34
SM8050502TP	18	6	SS6111610SP	56	10	SS7111810SP	30	19
SM8050602TP	16	8	SS6121610TP	18	16	SS7111810TP	22	8
SM8050602TP	38	20	SS6121610TP	26	38	SS7120760SP	8	54
SM8050612TP	20	52	SS6121860SP	18	43	SS7120760SP	30	13
SM8060602TP	6	28	SS6151040SP	26	43	SS7120760SP	46	26
SM8080802TP	10	21	SS6151040SP	40	14	SS7150740SP	12	46
SM8080812TP	6	15	SS6151220SP	56	33	SS7150910TP	2	19
SQ1110401MZ	22	41	SS6151440SP	54	2	SS7151210SP	30	7
SQ1110401MZ	46	53	SS6151780SP	12	27	SS7151610SP	62	4
SQ1110401MZ	48	53	SS6151812TP	26	30	SS7621040SP	2	7
SQ1150451MZ	48	54	SS6151920SP	12	30	SS8110422TP	22	30
SS2090710TP	2	68	SS6152440SP	10	29	SS8110422TP	26	14
SS2090710TP	4	68	SS6153040SP	22	18	SS8110510SP	26	29
SS2110920TP	2	37	SS6153040SP	54	22	SS8111010TP	6	43
SS3090610SP	46	17	SS6661110SP	8	70	SS8111010TP	14	59
SS4080610SP	36	18	SS7060610SP	26	9	SS8150510TP	22	34
SS4080620TP	34	18	SS7080510TP	10	12	SS8150710SP	16	3
SS4110515SP	2	35	SS7090520TP	2	33	SS8150710TP	8	64
SS4110615SP	46	37	SS7090610SP	18	30	SS8150710TP	12	9
SS4110815SP	2	57-63	SS7090910SP	10	9	SS8150710TP	22	23
SS4110815SP	4	57-63	SS7090910TP	18	70	SS8150822TP	6	59
SS4110815SP	6	17	SS7090910TP	20	70	SS8150822TP	8	59
SS4110815SP	46	42	SS7091410SP	38	15	SS8150822TP	18	28
SS4110815SP	56	12	SS7110510SP	12	20	SS8151150SP	24	54
SS4111215SP	2	2	SS7110510SP	46	11	SS8151150TP	10	5
SS4120615SP	30	15	SS7110570SP	32	4	SS8151150TP	18	14
SS4150915SP	4	60	SS7110710SP	6	24	SS8151150TP	22	32

NUMERICAL INDEX OF PARTS

PART NO	PAGE	REF NO.
SS8660530TP	8	48
SS8660530TP	22	43
SS8660610TP	12	8
SS8660610TP	18	64
SS8660610TP	20	64
SS8660612TP	6	40
SS8660612TP	12	3
SS8660612TP	26	36
SS8660670SP	22	36
SS8660810TP	6	22
SS8660810TP	14	48
SS8660810TP	22	39
SS8661030SP	8	52
SS9151440CP	18	4
TA0550604R0	2	47
TA0750704R0	2	8
TA0750704R0	8	65
TA0750704R0	12	10
TA0800704R0	54	31
TA1050504R0	2	40
TA1250504R0	2	39
WP0320501SC	26	3
WP0320501SC	54	12
WP0371016SD	22	11
WP0430800SC	28	51
WP0450801SD	8	62
WP0501016SD	30	30
WP0501046SC	12	18
WP0501046SC	32	12
WP0621016SD	18	5
WP0621016SD	62	2
WP0641601SD	30	3
WP0650876SD	20	58
WP0651056SD	28	53
WP0850002SP	22	19
WS0610002KN	62	3
WS0610002KP	28	54
WT0530002KS	2	16