

MODEL : LU-1508N/LU-1508NH

List No : 1337-08

# PARTS LIST

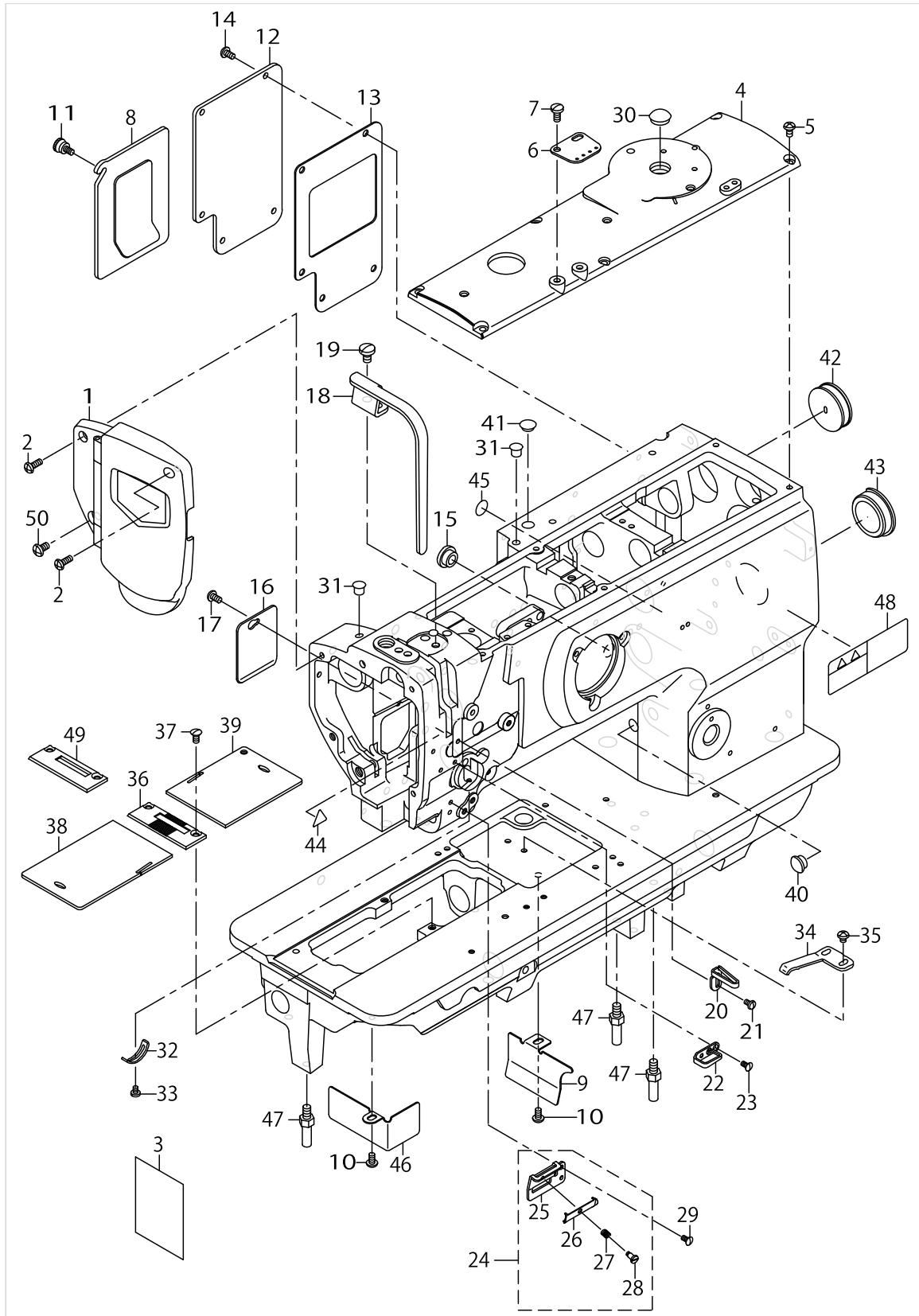
Published:11/30/2017

## CONTENTS

---

FRAME & MISCELLANEOUS COVER COMPONENTS .....	1
UPPER SHAFT,LOWER SHAFT DRIVING & BALANCE COMPONENTS .....	5
NEEDLE BAR ROCKING COMPONENTS .....	9
PRESSURE ADJUSTING & UPPER FEED MECHANISM COMPONENTS.....	11
FEED MECHANISM COMPONENTS.....	15
HOOK SHAFT & LOWER SHAFT COMPONENTS .....	19
THREAD TENSION COMPONENTS .....	23
LOWER THREAD WINDER MECHANISM COMPONENTS .....	25
KNEE LIFTING COMPONENTS .....	27
BELT COVER & OIL RESERVOIR COMPONENTS.....	29
LUBRICATION COMPONENTS .....	31
ACCESSORIES PARTS COMPONENTS .....	33
THREAD STAND COMPONENTS.....	35
AUTOMATIC BACK COMPONENTS (OPTIONAL PARTS).....	37
AUTOMATIC PRESSER LIFTING MECHANISM COMPONENTS (OPTIONAL PARTS).....	41
OPTIONAL PARTS (ADDITIONAL SPRING FOR PRESSER BAR)COMPONENTS.....	43
SUSPENSION SQUARE (OPTION) COMPONENTS.....	45
OPTIONAL PARTS COMPONENTS (1).....	47
OPTIONAL PARTS COMPONENTS (2).....	49
LIST FOR INFORMATION OF CHANGE.....	51
HOW TO MAKE USE OF THIS PARTS LIST .....	52

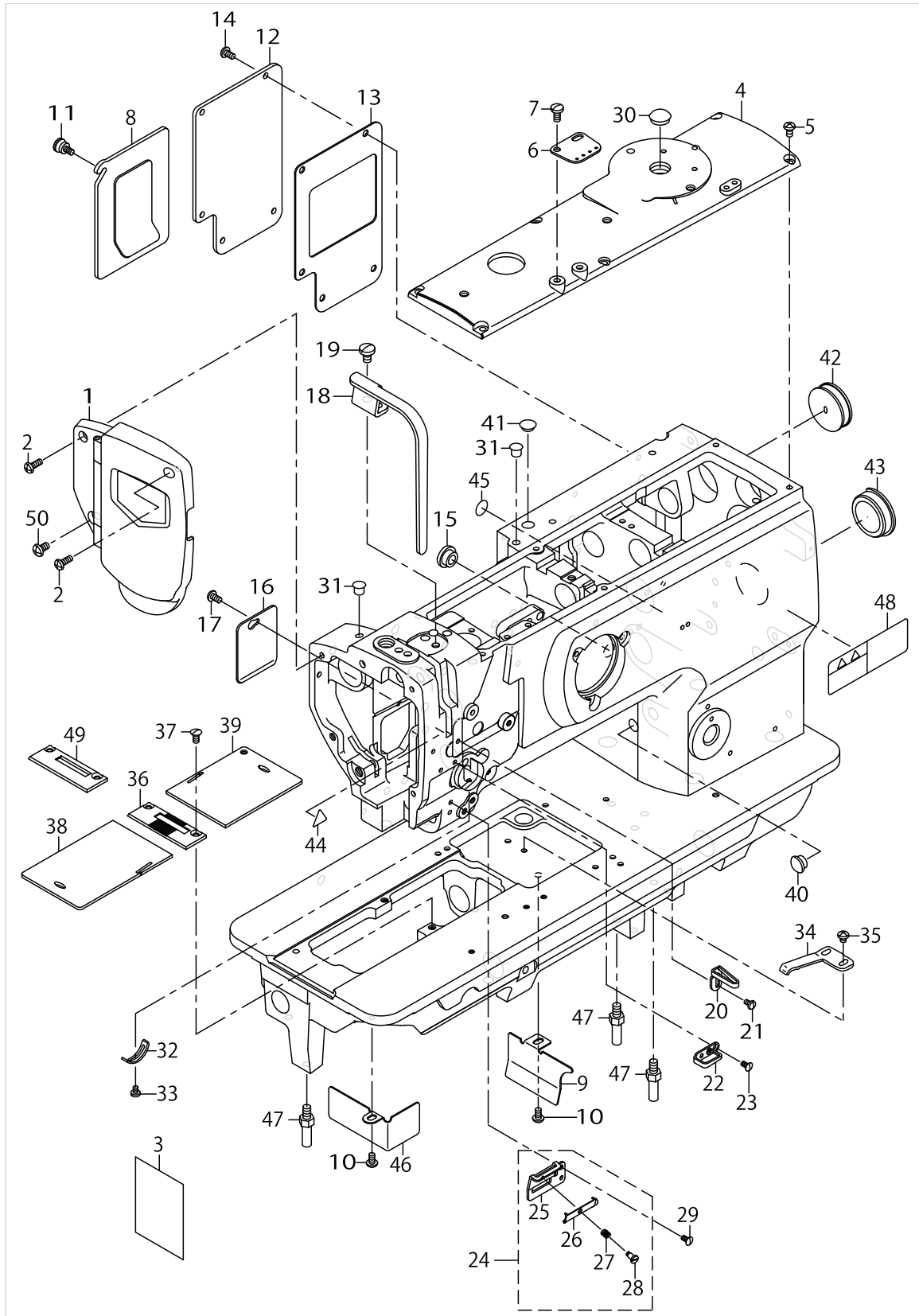
# FRAME & MISCELLANEOUS COVER COMPONENTS



FRAME & MISCELLANEOUS COVER COMPONENTS

No.	Parts No.	Parts name	Remarks	Level	Cons	Qty
1	40016798	FACE PLATE ASM.				1
2	SS4111215SP	SCREW 11/64-40 L=12				2
3	40152631	LUBRICATION SUPPLEMENT				1
4	21331301	TOP COVER B				1
5	SS4110815SP	SCREW 11/64-40 L=8				6
6	21355904	ARM THREAD GUIDE				1
7	SS7621040SP	SCREW 3/16-32 L=9.5				2
8	21331756	WINDOW PLATE A ASM.				1
9	22877609	DUST COVER				1
10	SS4110815SP	SCREW 11/64-40 L=8				2
11	21331202	SETSCREW				1
12	21331806	WINDOW PLATE B				1
13	21332002	WINDOW PLATE PACKING B				1
14	SS4110815SP	SCREW 11/64-40 L=8				5
15	TA1250504R0	RUBBER PLUG				1
16	21332309	SIDE COVER				1
17	SS4110815SP	SCREW 11/64-40 L=8				1
18	21331608	BALANCE COVER				1
19	SS7150910TP	SCREW 15/64-28 L=9				1
20	40125273	THREAD_GUIDE	FOR LU-1508N			1
21	SS5090610SP	SCREW 9/64-40 L=6				1
22	40108675	FRAME THREAD GUIDE				1
23	SS2090710TP	SCREW 9/64-40 L=7.2				1
24	21408554	THREAD GUIDE ASM.				1
25	21408505	THREAD GUIDE PLATE		*		1
26	17912106	NEEDLE THREAD PRESSER PLATE		*		1
27	B1132521000	THREAD PRESSER PLATE SPRING		*		1
28	SD0380551SL	HINGE SCREW D=3.80 H=5.5		*		1
29	SS2090710TP	SCREW 9/64-40 L=7.2				1
30	TA1450404R0	RUBBER PLUG D=14.5 L=4				1
31	TA0750704R0	RUBBER PLUG				2
32	B3138512000	TAKE-UP SPRING ADJUSTING PLATE				1
33	SS7090520TP	SCREW 9/64-40 L=4.5				1
34	B1111563000	BED SLIDE SPRING				1
35	SS4110515SP	SCREW 11/64-40 L=5				2
36	B1109563000	THROAT PLATE				1
37	SS2110920TP	SCREW 11/64-40 L=8.5				2
38	21349600	SLIDING PLATE (LEFT)				1
39	21349709	SLIDING PLATE (RIGHT)				1
40	TA1050504R0	RUBBER PLUG				1
41	TA1250504R0	RUBBER PLUG				1
42	10201200	RUBBER PLUG				1
43	22619100	CAP				1
44	CM300200001	ATTENTION SEAL				1
45	22901805	GROUND MARK				1
46	21332200	OIL SHIELD (LEFT)				1
47	22602601	BED SCREW STUD				3

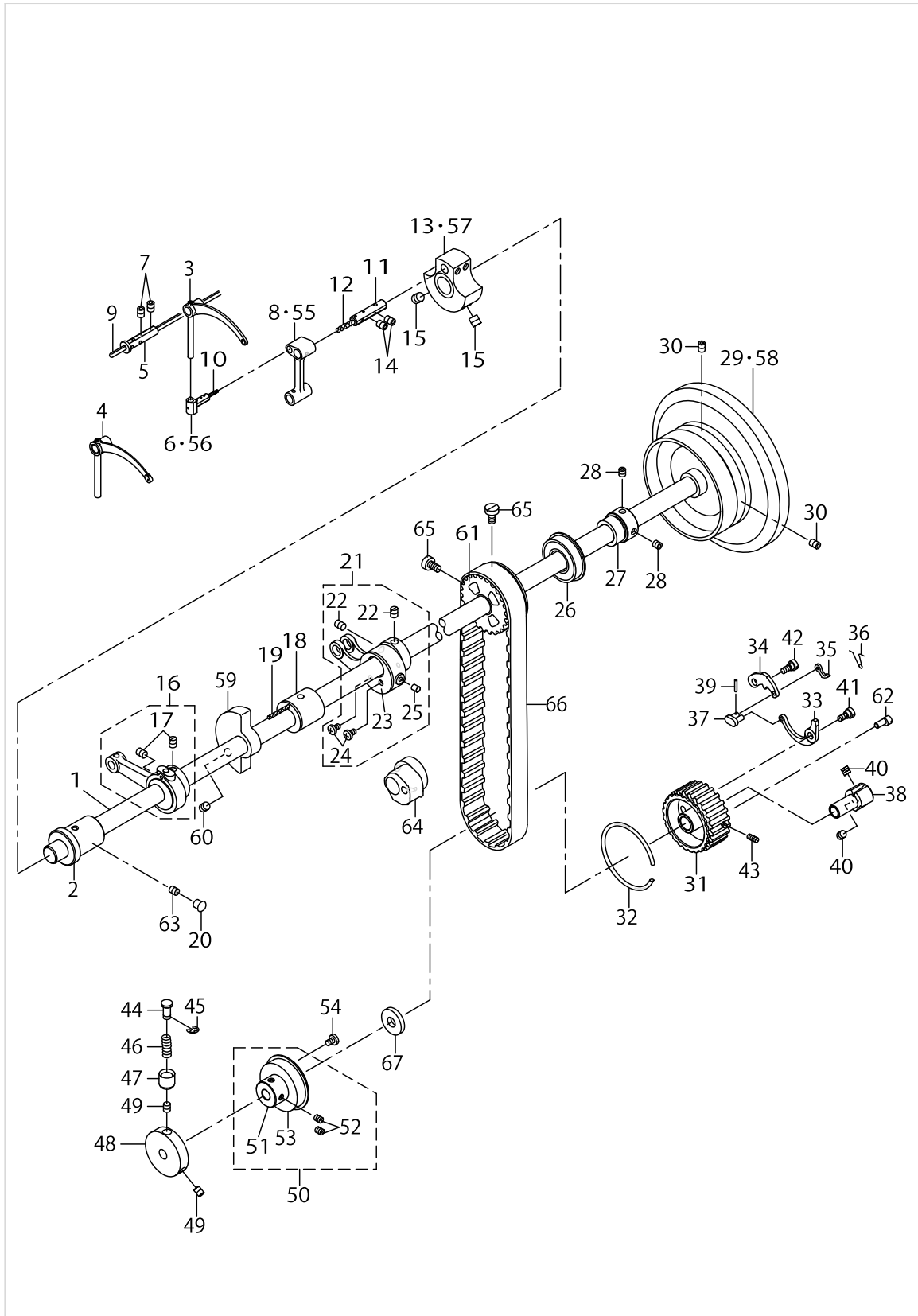
FRAME & MISCELLANEOUS COVER COMPONENTS



FRAME & MISCELLANEOUS COVER COMPONENTS

No.	Parts No.	Parts name	Remarks	Level	Cons	Qty
48	CM301300001	SAFETY LABEL				1
49	B1109562D00	THROAT PLATE	OPTIONAL PARTS			1
50	SS4150915SP	SCREW 15/64-28 L=9				1

UPPER SHAFT, LOWER SHAFT DRIVING & BALANCE COMPONENTS

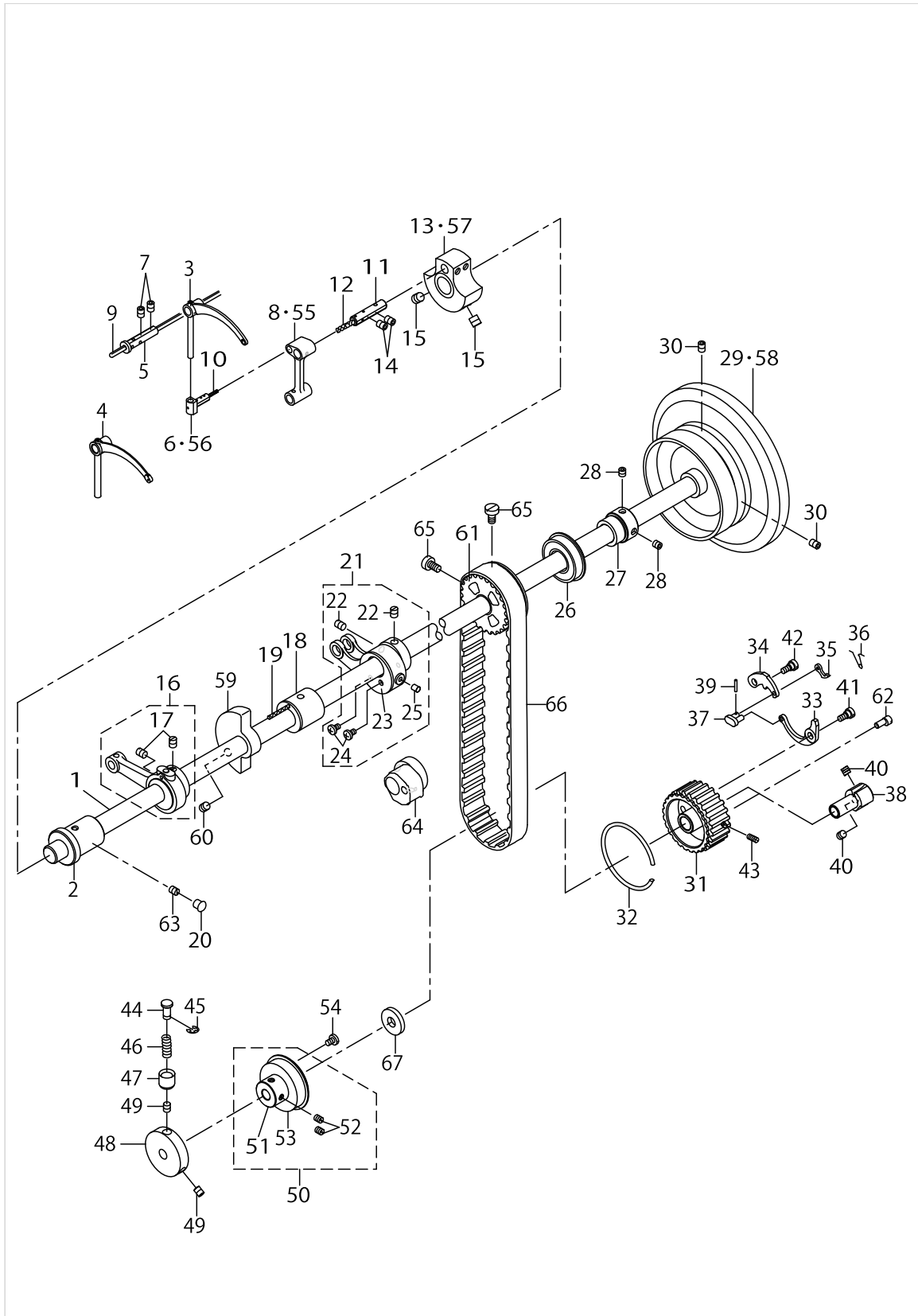


UPPER SHAFT,LOWER SHAFT DRIVING & BALANCE COMPONENTS

No.	Parts No.	Parts name	Remarks	Level	Cons	Qty
1	21332705	UPPER SHAFT				1
2	21333000	UPPER SHAFT FRONT METAL				1
3	B1905563000	THREAD TAKE-UP LEVER	FOR LU-1508N			1
4	21401906	THREAD TAKE-UP LEVER	FOR LU-1508NH			1
5	B1906051000	TAKE-UP LEVER PIN				1
6	B1907051000	TAKE-UP LEVER THRUST PIN	FOR LU-1508N			1
7	SS8150822TP	SCREW 15/64-28 L=8				2
8	21339106	NEEDLE BAR CRANK ROD	FOR LU-1508N			1
9	CQ303000000	OIL WICK				0.45
10	CQ202000000	OIL WICK				0.03
11	B1210051000	NEEDLE BAR CRANK PIN				1
12	CQ505000000	OIL WICK				0.03
13	21332507	COUNTER WEIGHT (A) (36MM)	FOR LU-1508N			1
14	SS8150822TP	SCREW 15/64-28 L=8				2
15	SM8080812TP	SCREW M8X8				2
16	40197297	UPPER_FEED_CAM_ASM				1
17	SS8660810TP	SCREW 1/4-40 L=8		*		2
18	21333109	UPPER SHAFT INNER METAL				1
19	CQ202000000	OIL WICK				0.15
20	TA0750704R0	RUBBER PLUG				1
21	40197296	HORIZONTAL_FEED_ROD_ASM	FOR LU-1508N			1
22	SS8660810TP	SCREW 1/4-40 L=8		*		2
23	21353008	HORIZONTAL FEED CAM COVER		*		1
24	SS7110710SP	SCREW 11/64-40 L=7		*		2
25	21387402	FELT		*		1
26	40143083	BEARING				1
27	21402300	UPPER SHAFT BEARING HOOK				1
28	SM8060602TP	SCREW M6X6				2
29	21334008	FLYWHEEL	FOR LU-1508N			1
30	SS8150822TP	SCREW 15/64-28 L=8				2
31	21387501	LOWER SPROCKET				1
32	B1214019000	SPROCKET RING				1
33	21387709	SAFETY CLUTCH SPRING				1
34	21387600	SAFETY CLUTCH HOOK				1
35	B1308055000	SAFETY CLUTCH COUNTER-HOOK				1
36	40113224	COUNTER HOOK SPRING				1
37	B1310055000	SAFETY CLUTCH SMALL LINK				1
38	21387808	SAFETY BASE				1
39	B1314055000	SAFETY CLUTCH SMALL LINK PIN				1
40	SS8660612TP	SCREW 1/4-40 L=6				2
41	SD0640322TP	HINGE SCREW D=6.35 H=3.2				1
42	SD0640322TP	HINGE SCREW D=6.35 H=3.2				1
43	SS8111010TP	SCREW 11/64-40 L=9.5				1
44	B1312563000A	SAFETY CLUTCH PUSH BUTTON				1
45	RE0500000K0	E-RING				1
46	B1639051000	SPRING				1
47	B1313055000	SAFETY CLUTCH KNOB SLEEVE				1



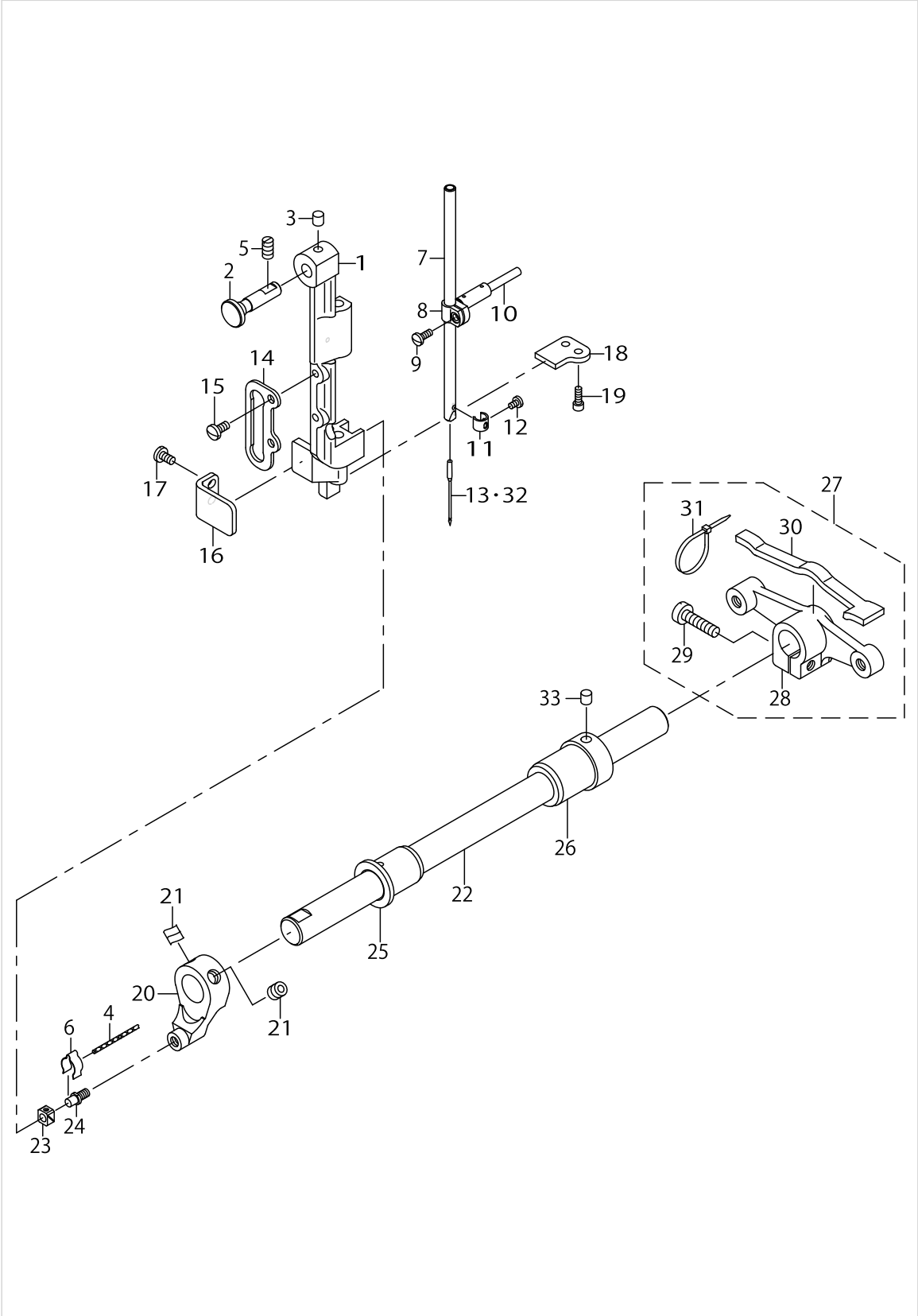
UPPER SHAFT, LOWER SHAFT DRIVING & BALANCE COMPONENTS



UPPER SHAFT,LOWER SHAFT DRIVING & BALANCE COMPONENTS

No.	Parts No.	Parts name	Remarks	Level	Cons	Qty
48	21333703	SAFETY CLUTCH DISC				1
49	SS8150710TP	SCREW 15/64-28 L=7				2
50	40038700	THRUST COLLAR ASM.				1
51	40038702	THRUST COLLAR		*		1
52	SS8661030SP	SCREW 1/4-40 L=10		*		2
53	SB120000200	BEARING 20X42		*		1
54	SS7120760SP	SCREW 3/16-28 L=7.0				2
55	40055028	NEEDLE BAR CRANK ROD	FOR LU-1508NH			1
56	22605406	TAKE-UP LEVER THRUST PIN	FOR LU-1508NH			1
57	21332606	COUNTER WEIGHT (B) (38MM)	FOR LU-1508NH			1
58	21332903	FLYWHEEL	FOR LU-1508NH			1
59	21333406	BALANCER	FOR LU-1508N			1
60	SS8151550SP	SCREW 15/64-28 L=15	FOR LU-1508N			2
61	40038692	UPPER SPROCKET				1
62	21387907	ADJUSTING PIN (1.2)				1
63	SS8150710TP	SCREW 15/64-28 L=7				1
64	21352505	TRIANGULAR CAM	FOR LU-1508NH			1
65	SS6661110SP	SCREW 1/4-40 L=11				2
66	22604300	TIMING BELT				1
67	40016148	THRUST COLLAR B WASHER				1

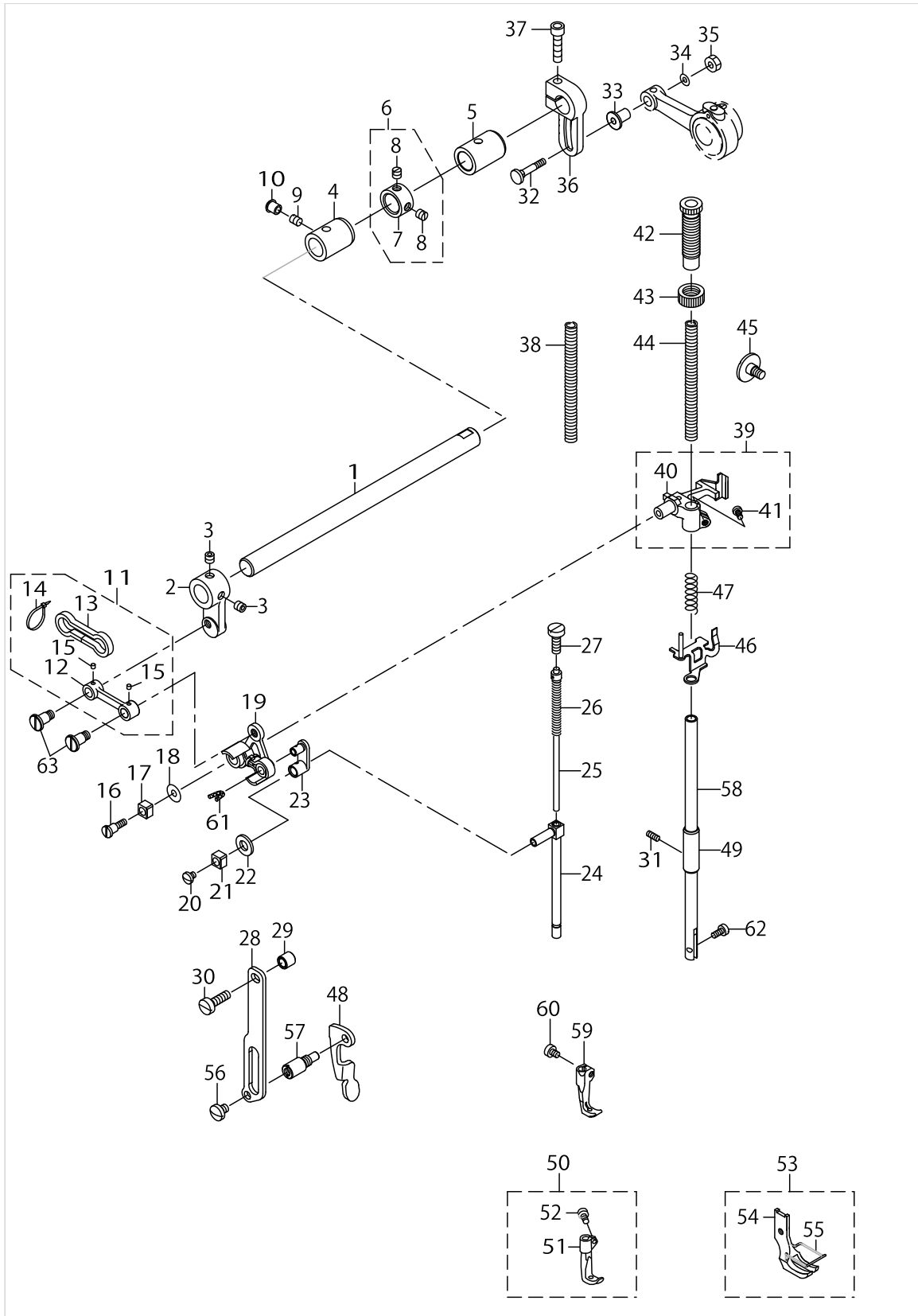
NEEDLE BAR ROCKING COMPONENTS



NEEDLE BAR ROCKING COMPONENTS

No.	Parts No.	Parts name	Remarks	Level	Cons	Qty
1	B1420563000	NEEDLE BAR FRAME				1
2	21405204	HINGE STUD				1
3	22814909	FELT				1
4	CQ202000000	OIL WICK				0.05
5	SS8151150TP	SCREW 15/64-28 L=10.5				1
6	B1437051000	OIL WICK RETAINER				1
7	B1401053000	NEEDLE BAR				1
8	B1411053000	NEEDLE BAR CONNECTION				1
9	SS7090910SP	SCREW 9/64-40 L=8.5				1
10	B1412051000	FELT				1
11	10308609	THREAD GUARD				1
12	SS7080510TP	SCREW 1/8-44 L=4.5				1
13	M13517B1600	NEEDLE 135X17 #160				1
14	B1467563000	UPPER FEED BAR GUIDE				1
15	SS7110910TP	SCREW 11/64-40 L=8.5				2
16	21388400	ROCKING BASE GUIDE				1
17	SS7110830SP	SCREW 11/64-40 L=7.5				2
18	21338603	ROCKING BASE GUIDE (B)				1
19	SS6091022TP	SCREW				2
20	21338801	ROCKING FRONT ARM				1
21	SM8080802TP	SCREW				2
22	21338900	ROCKING SHAFT				1
23	B1414232000	SQUARE BLOCK				1
24	B1410771000	STUD				1
25	21339304	ROCKING SHAFT FRONT METAL				1
26	40027746	BUSHING REAR				1
27	21339056	ROCKING REAR ARM ASM.				1
28	21339007	ROCKING REAR ARM		*		1
29	SS6152440SP	SCREW 15/64-28 L=23.5		*		1
30	21347406	ROCKING REAR ARM FELT		*		1
31	EA9500B0100	CABLE BAND		*		2
32	MC0190R1600	NEEDLE 190R #160	FOR LU-1508NH			1
33	22814909	FELT				1

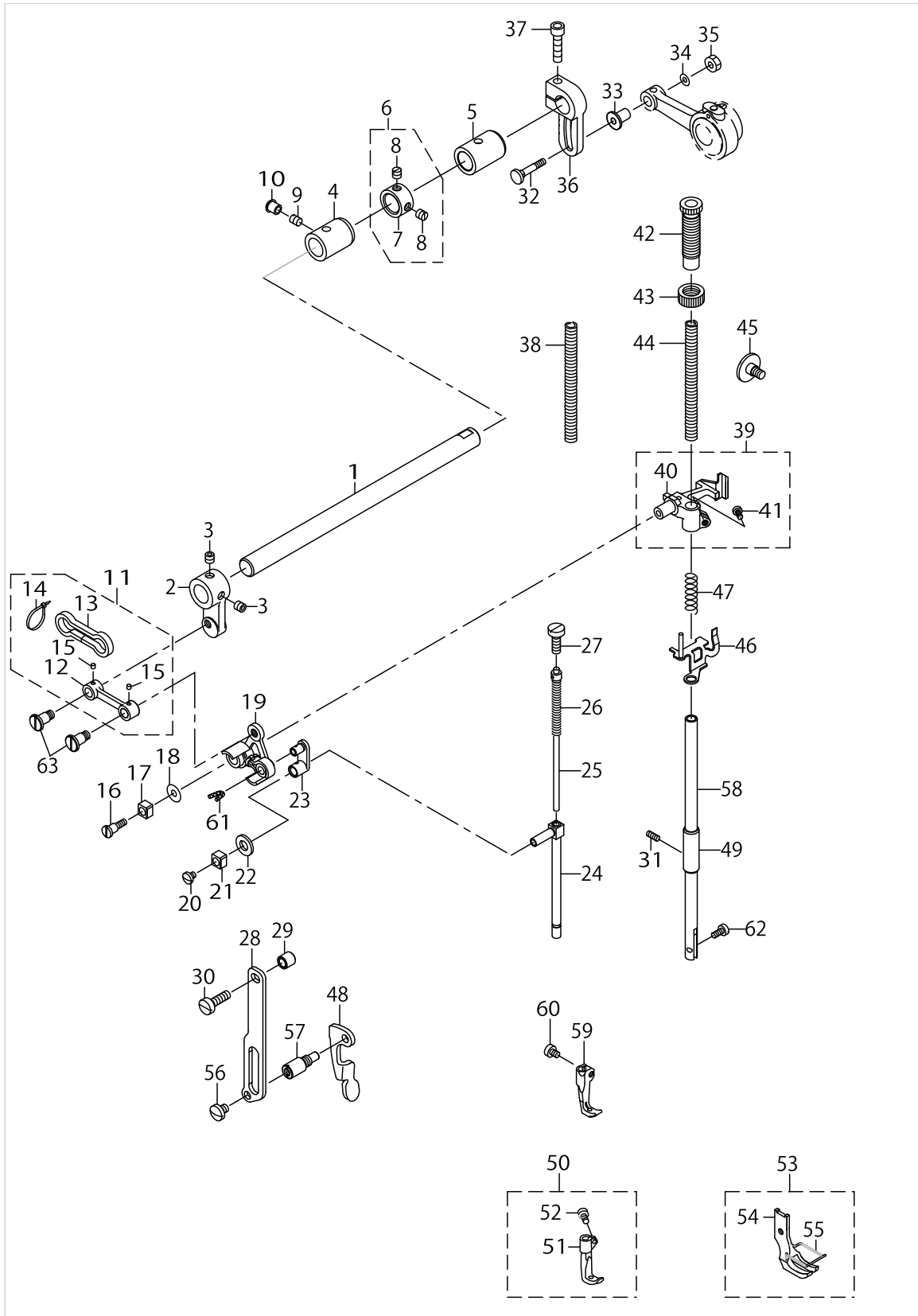
PRESSURE ADJUSTING & UPPER FEED MECHANISM COMPONENTS



PRESSURE ADJUSTING & UPPER FEED MECHANISM COMPONENTS

No.	Parts No.	Parts name	Remarks	Level	Cons	Qty
1	21340401	UPPER FEED SHAFT				1
2	21340500	UPPER FEED FRONT ARM				1
3	SS8660612TP	SCREW 1/4-40 L=6				2
4	40039326	FRONT METAL				1
5	21378302	FEED SHAFT METAL				1
6	22904155	MAIN SHAFT THRUST COLLAR ASM.				1
7	22904106	MAIN SHAFT THRUST COLLAR		*		1
8	SS8660610TP	SCREW 1/4-40 L=6		*		2
9	SS8150710TP	SCREW 15/64-28 L=7				1
10	TA0750704R0	RUBBER PLUG				1
11	40033027	UPPER FEED LINK ASM.				1
12	40033026	UPPER FEED LINK		*		1
13	21347109	FELT		*		1
14	EA9500B0000	CLIP CV-70S		*		2
15	CQ3000000F0	OIL FELT		*		0.0028
16	40018339	SCREW				1
17	B1414555000	SLIDE BLOCK				1
18	WP0501046SC	WASHER 5X13X1				1
19	40033029	TRIANGULAR LEVER ASM.				1
20	SS7110510SP	SCREW 11/64-40 L=5				1
21	B1414555000	SLIDE BLOCK				1
22	10509701	FELT				1
23	40018341	WALKING BAR DRIVING LINK				1
24	40033030	WALKING BAR A				1
25	B14670530A0	WALKING BAR ASM.				1
26	B1468053000	WALKING BAR SPRING				1
27	SS6151780SP	SCREW 15/64-28 L=17.0				1
28	21406509	UPPER FEED GUIDE PLATE				1
29	26225201	ROLLER				1
30	SS6151920SP	SCREW 15/64-28 L=19.0				1
31	SS8111010TP	SCREW 11/64-40 L=9.5				1
32	D1456055B00	HINGE SCREW				1
33	D1455055B00	CONNECTING STUD				1
34	WP0482086SD	WASHER 4.8X11.5X2				1
35	NS6110530SP	NUT 11/64-40				1
36	21437900	UPPER FEED REAR ARM				1
37	SM6062502TP	SCREW M6 L=25				1
38	B1510141H00	PRESSER SPRING	OPTIONAL PARTS			1
39	40033032	PRESSER BAR HOLDER A ASM.				1
40	40033031	PRESSER BAR HOLDER A		*		1
41	SS7110910TP	SCREW 11/64-40 L=8.5		*		1
42	21340906	PRESSER ADJUSTING SCREW				1
43	22907604	PRESSER SPRING REGULATOR NUT				1
44	B1502246000	PRESSER SPRING				1
45	SD0800481SP	HINGE SCREW D=8 H=4.9				1
46	21341151	THREAD RELEASE HOLDING PLATE				1
47	B1462053000	THREAD RELEASE SPRING				1

PRESSURE ADJUSTING & UPPER FEED MECHANISM COMPONENTS

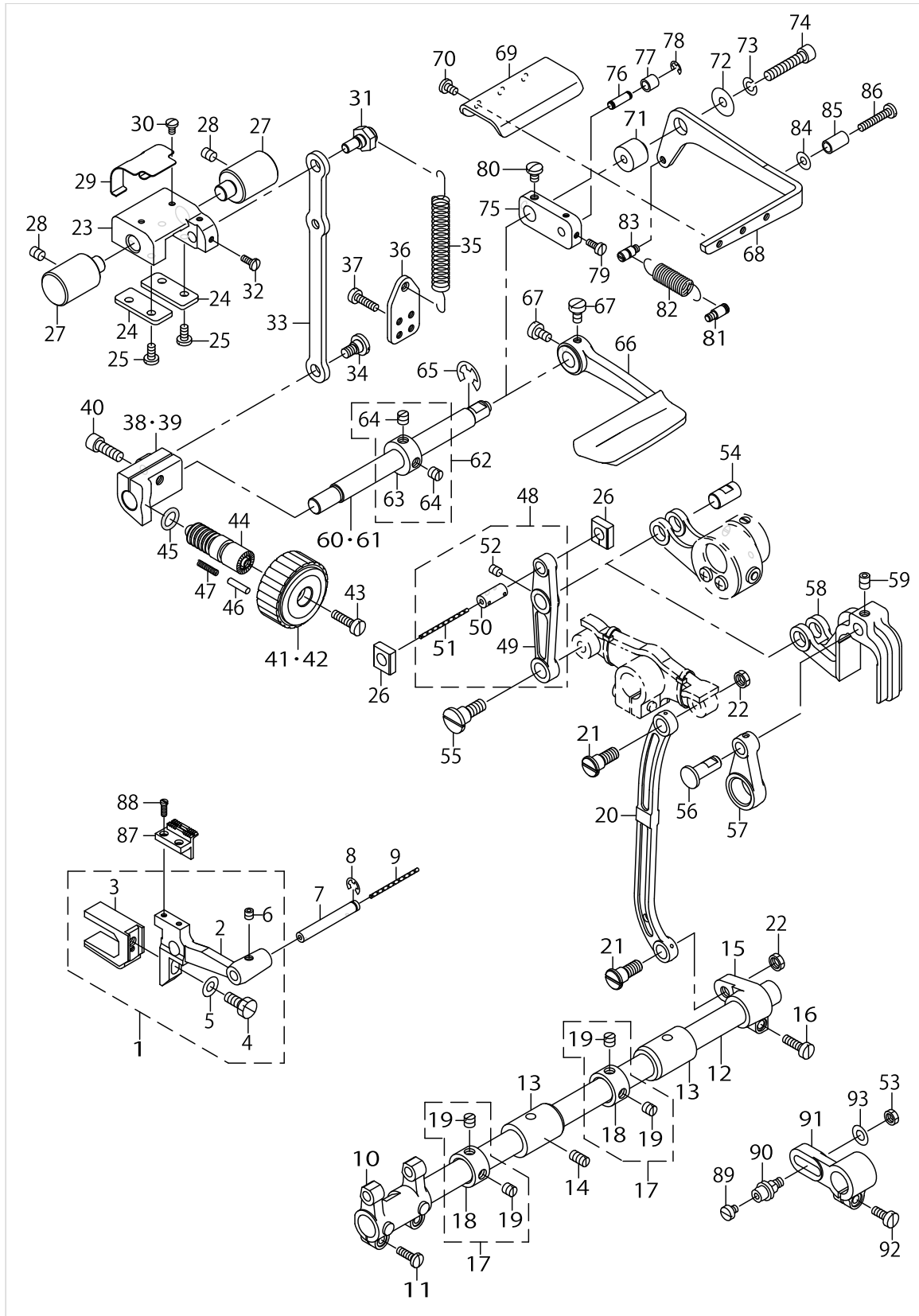


PRESSURE ADJUSTING & UPPER FEED MECHANISM COMPONENTS

No.	Parts No.	Parts name	Remarks	Level	Cons	Qty
48	21406103	PRESSER LIFTER LEVER				1
49	B1510155000	PRESSER BAR LOWER BUSHING				1
50	B1470241HA0	WALKING FOOT ASM.	FOR LU-1508N			1
51	B1470241H00	WALKING FOOT		*		1
52	B1471241H00	SCREW		*		1
53	B1525241HA0	PRESSER FOOT ASM.				1
54	B1525241H00	PRESSER FOOT		*		1
55	10337905	FINGER GUARD		*		1
56	SS7150740SP	SCREW 15/64-28 L=7				1
57	21406608	GUIDE PLATE SPACER				1
58	B1501241H00	PRESSER BAR				1
59	21350004	UPPER FEED FOOT	FOR LU-1508NH			1
60	B1471241H00	SCREW	FOR LU-1508NH			1
61	CQ252000000	OIL WICK				0.02
62	SS6090910TP	SCREW 9/64-40 L=9				1
63	40018340	SCREW				2



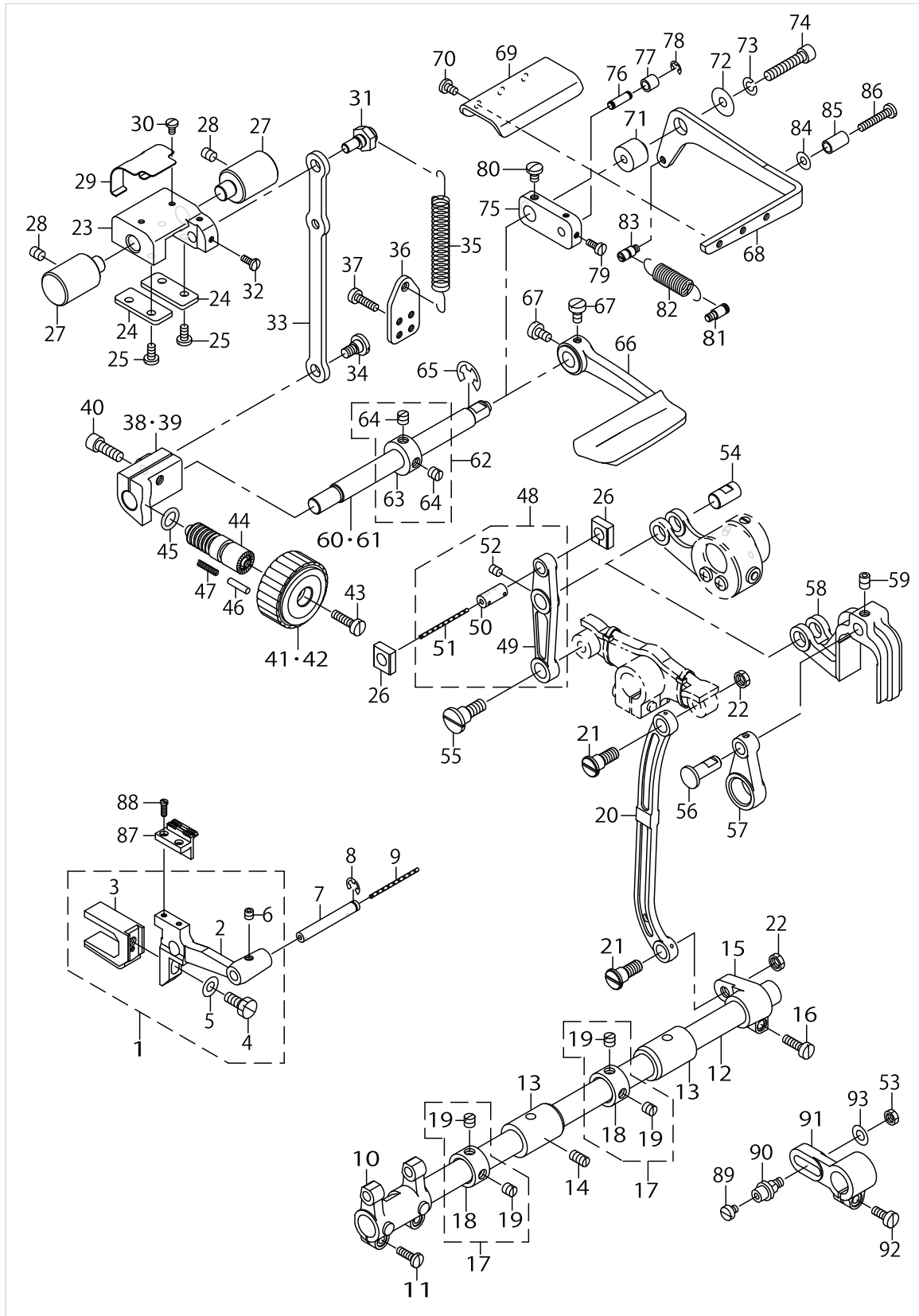
# FEED MECHANISM COMPONENTS



FEED MECHANISM COMPONENTS

No.	Parts No.	Parts name	Remarks	Level	Cons	Qty
1	21336052	FEED BASE ASM. (A)				1
2	21336003	FEED BASE		*		1
3	B1604051000	FEED BAR SLIDE FORK		*		1
4	SS9151440CP	SCREW 15/64-28 L=14		*		1
5	WP0621016SD	WASHER 6.2X13X1		*		1
6	SM8050502TP	SCREW M5 L=5		*		1
7	B1604012000A	FEED BAR SHAFT				1
8	RE0500711KP	SNAP RING 5				1
9	CQ202000000	OIL WICK				0.14
10	21364104	FEED ROCKER				1
11	SS7111410SP	SCREW 11/64-40 L=14				2
12	22609408	FEED ROCK SHAFT				1
13	21378302	FEED ROCK SHAFT METAL				2
14	SS8151150TP	SCREW 15/64-28 L=10.5				1
15	22609309	FEED ROCKER SHAFT CRANK				1
16	SS6121610TP	SCREW 3/16-28 L=15.5				1
17	22904155	MAIN SHAFT THRUST COLLAR ASM.				2
18	22904106	MAIN SHAFT THRUST COLLAR		*		1
19	SS8660610TP	SCREW 1/4-40 L=6		*		2
20	10205201	NEEDLE BAR FRAME ROD				1
21	SD0900701TP	HINGE SCREW D=9 H=7				2
22	NS6680320SP	NUT 9/32-28				2
23	21337506	FEED ADJUSTING BASE				1
24	21337704	FEED ADJUSTING BASE COVER				2
25	SS7110910TP	SCREW 11/64-40 L=8.5				4
26	21337407	SQUARE BLOCK				2
27	21337803	FEED ADJUSTING BASE SUPPORT				2
28	SS8150822TP	SCREW 15/64-28 L=8				2
29	21338306	FELT SUPPORT				1
30	SS7090610SP	SCREW 9/64-40 L=6				2
31	21337902	ECCENTRIC PIN				1
32	SS7090910TP	SCREW 9/64-40 L=8.5				2
33	21337308	FEED ADJUSTING ROD				1
34	SD0800402TP	HINGE SCREW D=8 H=4				1
35	21337605	SPRING				1
36	40019926	SPRING HOOK				1
37	SS6111610SP	SCREW 11/64-40 L=16				2
38	21337209	FEED ADJUSTING A	FOR LU-1508N			1
39	21338108	FEED ADJUSTING B	FOR LU-1508NH			1
40	SM6061802TP	SCREW M6 L=18				1
41	21336805	FEED DIAL A	FOR LU-1508N			1
42	21336904	FEED DIAL B	FOR LU-1508NH			1
43	SS6121860SP	SCREW 3/16-28 L=18				1
44	22911804	FEED REGULATOR SCREW				1
45	RO092270200	RUBBER RING				1
46	22912000	FEED REGULATOR PIN				1
47	22912109	FEED REGULATOR PIN SPRING				1

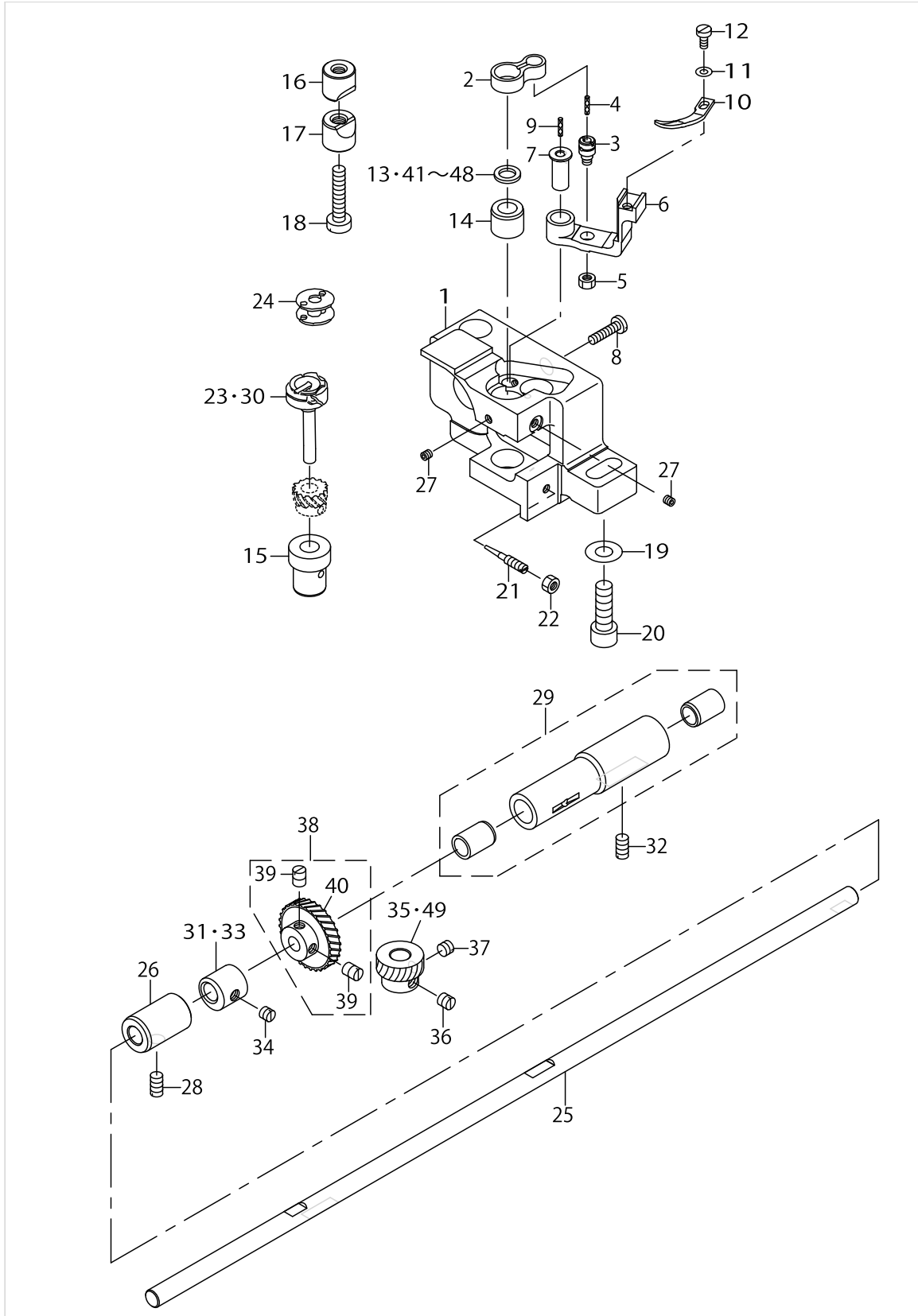
# FEED MECHANISM COMPONENTS



FEED MECHANISM COMPONENTS

No.	Parts No.	Parts name	Remarks	Level	Cons	Qty
48	21336656	FEED LINK ASM.				1
49	21336607	FEED LINK		*		1
50	40009103	CONNECTING FORKED LINK PIN		*		1
51	CQ202000000	OIL WICK		*		0.04
52	SM8050612TP	SCREW M5X6		*		1
53	NS6150310SP	NUT 15/64-28	OPTIONAL PARTS			1
54	21378906	FEED LINK PIN				1
55	SD1000801SH	HINGE SCREW D=10 H=8				1
56	21352703	FEED TRIANGULAR CAM PIN	FOR LU-1508NH			1
57	10083202	REAR CRANK	FOR LU-1508NH			1
58	21352604	FEED TRIANGULAR CAM ROD	FOR LU-1508NH			1
59	SS8150822TP	SCREW 15/64-28 L=8	FOR LU-1508NH			1
60	21336300	BACKWARD FEED LEVER SHAFT	FOR LU-1508N			1
61	21336409	BACKWARD FEED LEVER SHAFT B	FOR LU-1508NH			1
62	CS1201010SH	THRUST COLLAR ASM. D=12 W=10				1
63	CS1201011SH	THRUST COLLAR D=12 W=10		*		1
64	SS8660610TP	SCREW 1/4-40 L=6		*		2
65	RE0900000K0	E-RING 9				1
66	21388004	REVERSE FEED CONTROL LEVER	FOR LU-1508N			1
67	SS6120930TP	SCREW 3/16-28 L=9	FOR LU-1508N			2
68	21337001	BACKWARD FEED LEVER B	FOR LU-1508NH			1
69	21337100	BACKWARD FEED PRESSER PLATE	FOR LU-1508NH			1
70	SS7110710SP	SCREW 11/64-40 L=7	FOR LU-1508NH			3
71	21352901	BACKWARD FEED LINK FULCRUM	FOR LU-1508NH			1
72	WP0612056SD	WASHER 6.1X18.5X2	FOR LU-1508NH			1
73	WS0610002KP	SPRING WASHER	FOR LU-1508NH			1
74	SS6153012TP	SCREW 15/64-28	FOR LU-1508NH			1
75	40039454	CHANGE BASE	FOR LU-1508NH			1
76	D2461481C00	CONNECTING PIN	FOR LU-1508NH			1
77	26023200	FEED CAM ROLL	FOR LU-1508NH			1
78	RE0400000K0	E-RING 4	FOR LU-1508NH			1
79	SS6090910SP	SCREW 9/64-40 L=9	FOR LU-1508NH			2
80	SS7120710SP	SCREW 3/16-28 L=7	FOR LU-1508NH			1
81	40023289	SPRING SUSPENSION	FOR LU-1508NH			1
82	13789201	TENSION SPRING	FOR LU-1508NH			1
83	11272614	FEED SPRING HOOK	FOR LU-1508NH			1
84	WP0502616SD	WASHER	FOR LU-1508NH			1
85	22952501	BACK LEVER STOPPER	FOR LU-1508NH			1
86	SS7112420SP	SCREW 11/64-40 L=24	FOR LU-1508NH			1
87	21349303	FEED DOG (2.5X7.2)				1
88	B1611055000	SCREW				2
89	SS6110520TP	SCREW 11/64-40 L=4.5	OPTIONAL PARTS			1
90	10122000	CONNECTING PIN	OPTIONAL PARTS			1
91	B3025141H00A	CONNECTING ARM	OPTIONAL PARTS			1
92	SS6121210TP	SCREW 3/16-28 L=12	OPTIONAL PARTS			1
93	WP0650876SD	WASHER 6.5X13X0.8	OPTIONAL PARTS			1

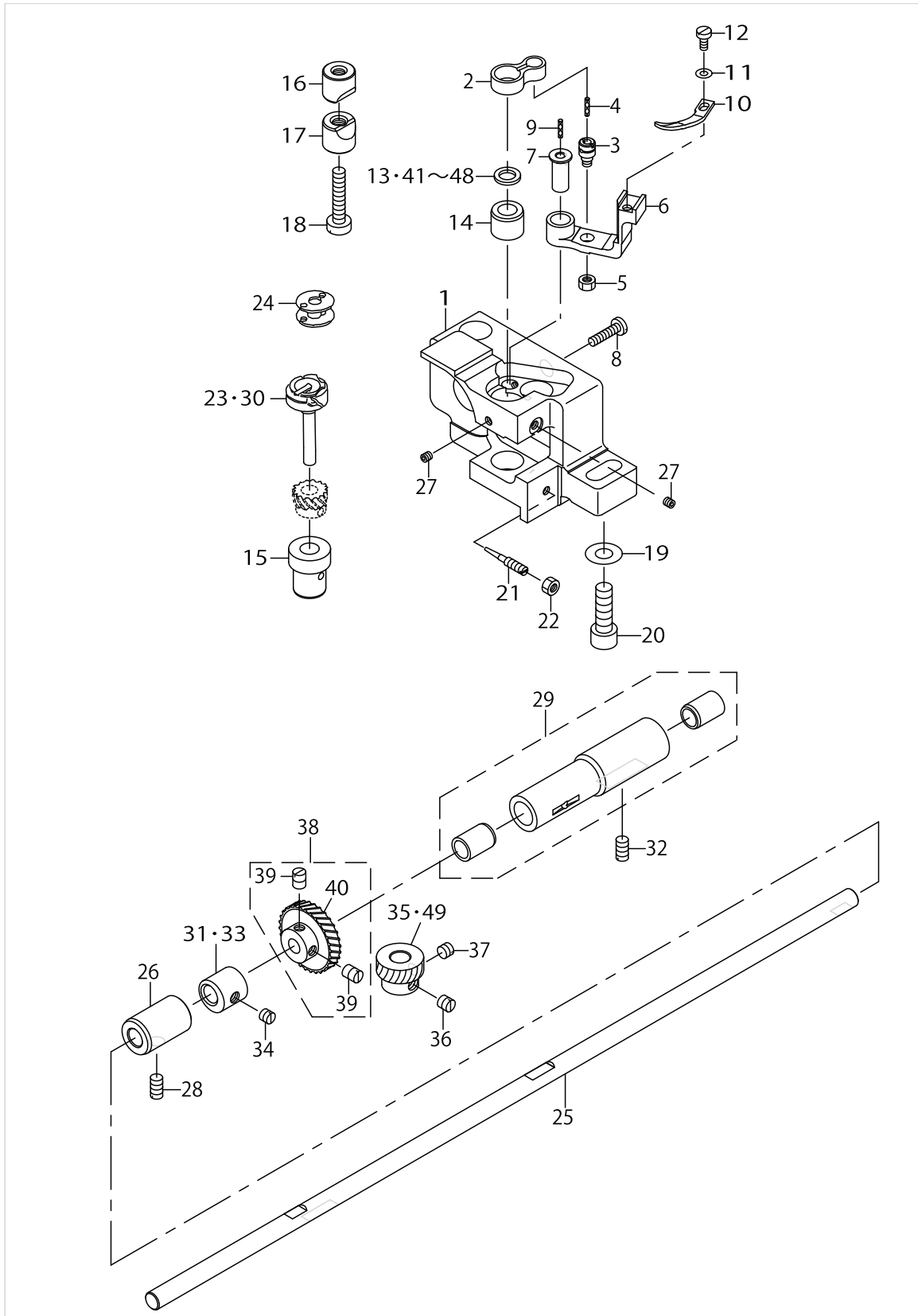
HOOK SHAFT & LOWER SHAFT COMPONENTS



## HOOK SHAFT & LOWER SHAFT COMPONENTS

No.	Parts No.	Parts name	Remarks	Level	Cons	Qty
1	21335005	HOOK SHAFT BASE (RIGHT)				1
2	B1820563000	BOBBIN CASE OPENING LEVER LINK				1
3	B1821051000	CRANK SCREW STUD				1
4	CQ202000000	OIL WICK				0.01
5	NS6110420SP	NUT 11/64-40				1
6	B1822563000	BOBBIN CASE OPENING LEVER CRANK				1
7	B1823051000	OPENING LEVER CRANK PIN				1
8	SS7111810SP	SCREW 11/64-40 L=18				1
9	CQ202000000	OIL WICK				0.01
10	B1824563000	BOBBIN CASE OPENING LEVER				1
11	WP0371016SD	WASHER 3.7X8X1				1
12	SS6090810SP	SCREW 9/64-40 L=7.5				1
13	10111102	THRUST WASHER 1.3	SELECTIVE PARTS			1
14	21378500	HOOK SHAFT UPPER METAL				1
15	21334701	HOOK SHAFT LOWER METAL				1
16	10109908	SADDLE INSTALLING BLOCK UPPER				1
17	10112407	SADDLE INSTALLING BLOCK LOWER				1
18	SS6153040SP	SCREW 15/64-28 L=30				1
19	WP0850002SP	WASHER 8.5X18X1.6				1
20	SM6082502TP	SCREW M8 L=25				1
21	B1843563000	OIL ADJUSTING SCREW				1
22	NS6110420SP	NUT 11/64-40				1
23	B18305630A0	VERTICAL-AXIS SEWING HOOK ASM.				1
24	B9117563000	BOBBIN				1
25	21333604	LOWER SHAFT				1
26	21427307	LOWER SHAFT METAL REAR				1
27	SS8110422TP	SCREW 11/64-40 L=4				2
28	SS8151150TP	SCREW 15/64-28 L=10.5				1
29	B18035150A0	BUSHING ASM. INTERMEDIATE				1
30	B1830563BA0	HOOK ASM. FOR EXTREME THICK T	FOR LU-1508NH			1
31	B184005100A	VERTICAL FEED CAM	OPTIONAL PARTS			1
32	SS8151150TP	SCREW 15/64-28 L=10.5				1
33	B1840051000	FEED DRIVING ECCENTRIC				1
34	SS8150510TP	SCREW 15/64-28 L=4.7				1
35	B1817051000	HOOK DRIVING SHAFT GEAR SMALL	SELECTIVE PARTS			1
36	SS8660670SP	SCREW 1/4-40 L=6.1				1
37	SS8660530TP	SCREW 1/4-40 L=4.5				1
38	40162860	HOOK DRIVING SHAFT GEAR ASM				1
39	SS8660810TP	SCREW 1/4-40 L=8		*		2
40	B1816051000	HOOK DRIVING SHAFT GEAR, LARGE		*		1
41	10112704	THRUST WASHER 1.8	SELECTIVE PARTS			1
42	10109700	THRUST WASHER A	SELECTIVE PARTS			1
43	10109809	THRUST WASHER B	SELECTIVE PARTS			1
44	10110906	BUSHING THRUST 1.1	SELECTIVE PARTS			1
45	10111003	THRUST WASHER 1.2	SELECTIVE PARTS			1
46	10111201	THRUST WASHER 1.4	SELECTIVE PARTS			1
47	10112506	THRUST WASHER 1.6	SELECTIVE PARTS			1

# HOOK SHAFT & LOWER SHAFT COMPONENTS

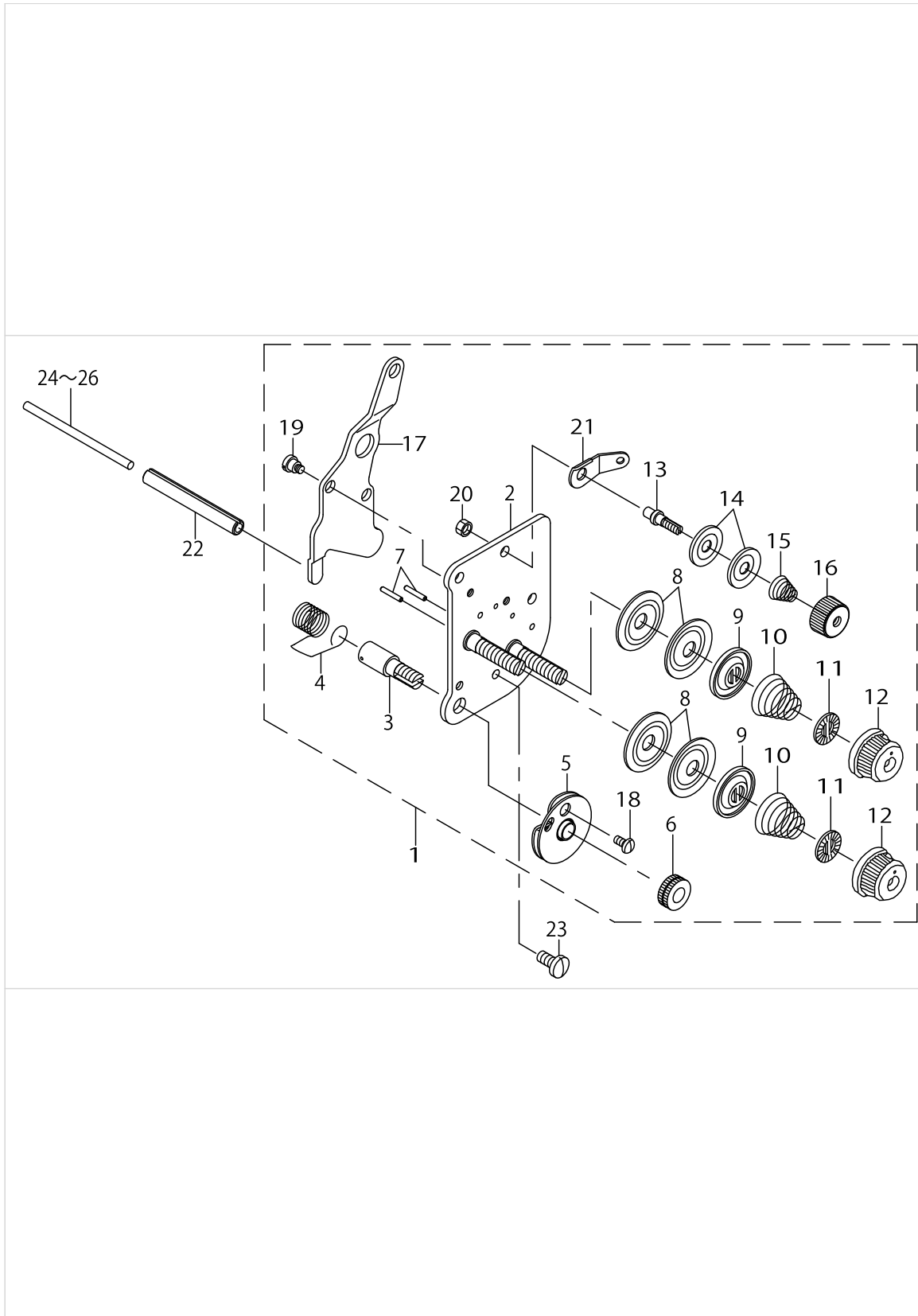


HOOK SHAFT & LOWER SHAFT COMPONENTS

No.	Parts No.	Parts name	Remarks	Level	Cons	Qty
48	10112605	THRUST WASHER 1.7	SELECTIVE PARTS			1
49	40042611	HOOK DRIVING SHAFT GEAR	SELECTIVE PARTS			1



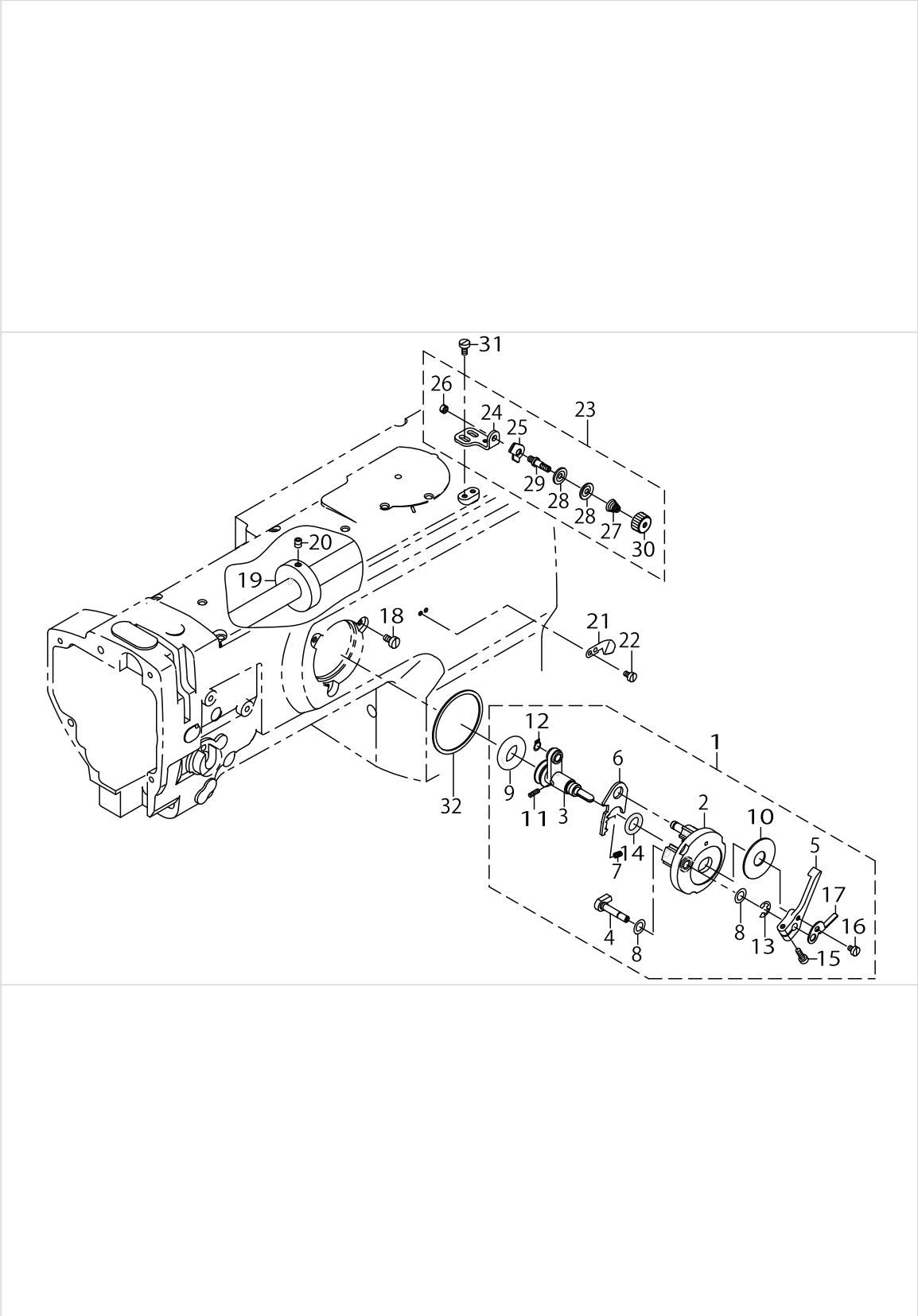
THREAD TENSION COMPONENTS



THREAD TENSION COMPONENTS

No.	Parts No.	Parts name	Remarks	Level	Cons	Qty
1	40103925	THREAD TENSION ASM.				1
2	21441050	TENSION POST COMPL.		*		1
3	10320109	SCREW STUD		*		1
4	B3128520000	TENSION SPRING		*		1
5	B31370510A0	TAKE-UP SPRING GUIDE DISC ASM.		*		1
6	B3125012000	THREAD TENSION NUT		*		1
7	22618201	TENSION RELEASE PIN A		*		2
8	13138201	THREAD TENSION DISK		*		4
9	22617906	THREAD TENSION DISK PRESSER		*		2
10	B3129526000	TENSION SPRING (1.2)		*		2
11	22921407	ROTATION STOPPER		*		2
12	22921308	THREAD TENSION NUT		*		2
13	10124204	THREAD TENSION POST A		*		1
14	10741106	FIRST THREAD TENSION PLATE		*		2
15	22945505	THREAD TENSION SPRING		*		1
16	22945703	THREAD TENSION NUT		*		1
17	21441100	TENSION RELEASE PLATE		*		1
18	SS4080620TP	SCREW 1/8-44 L=6		*		1
19	SD0470281SP	HINGE SCREW D=4.7 H=2.8		*		2
20	NS6110310SP	NUT 11/64-40		*		1
21	D3162555B00	THREAD GUIDE		*		1
22	PS0600502KP	SPRING PIN				1
23	SS7110910TP	SCREW 11/64-40 L=8.5				2
24	21348206	TENSION RELEASE BAR	SELECTIVE PARTS			1
25	10321107	TENSION RELEASE BAR	SELECTIVE PARTS			1
26	23006406	TENSION RELEASE BAR				1

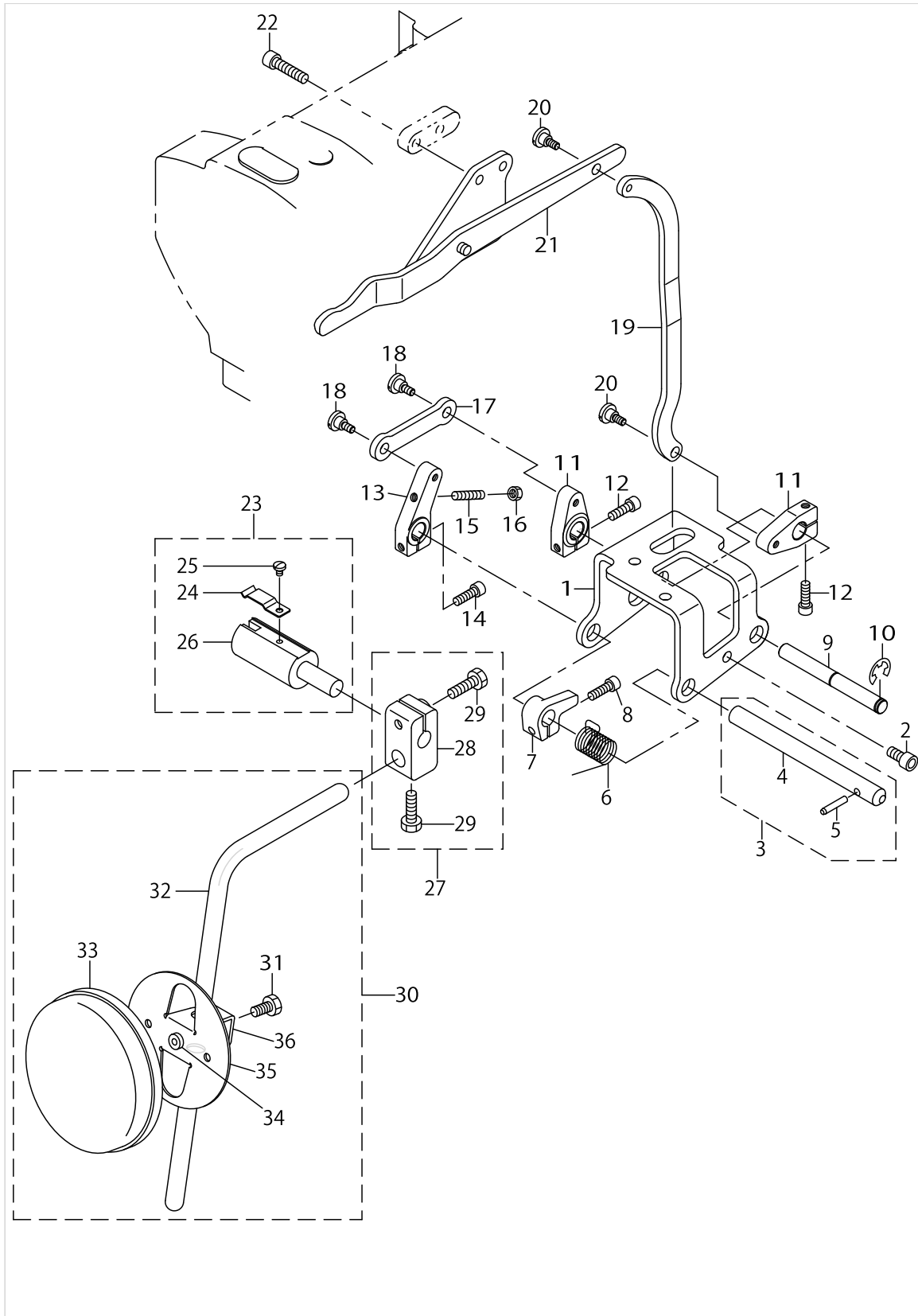
LOWER THREAD WINDER MECHANISM COMPONENTS



LOWER THREAD WINDER MECHANISM COMPONENTS

No.	Parts No.	Parts name	Remarks	Level	Cons	Qty
1	21357967	BOBBIN DEVICE ASM.				1
2	22537658	BOBBIN FITTING BASIS COMPL.		*		1
3	21357959	BOBIN SHAFT COMPL.		*		1
4	22538151	BOBBIN CAM SHAFT COMPL.		*		1
5	23636202	BOBBIN LEVER		*		1
6	21356001	ADJUSTING PLATE		*		1
7	B152989000CA	PRESSUR FOOT SPRING		*		1
8	10618304	VERTICAL ROLLER WASHER		*		2
9	21358205	RUBBER RING		*		1
10	B3205210000	CUSHION		*		1
11	B1148555000	SPRING		*		1
12	RC0560711KP	RETAINING RING		*		1
13	RE0500000K0	E-RING		*		1
14	RO092270200	RUBBER RING		*		1
15	SS7091410SP	SCREW 9/64-40 L=13.5		*		1
16	SS6090520SP	SCREW 9/64-40 L= 5.0		*		1
17	14512503	BOBBIN ADJUSTING PLATE		*		1
18	SS6110810TP	SCREW 11/64-40 L=8				3
19	10704807	BOBBIN FRICTION WHEEL				1
20	SM8050602TP	SCREW M5 L=6				2
21	10502300	THREAD CUTTER				1
22	SS6090620SP	SCREW 9/64-40 L=6				2
23	21355755	LOWER THREAD GUIDE ASM.				1
24	21355706	FITTING BASE		*		1
25	D3162555B00	THREAD GUIDE		*		1
26	NS6110310SP	NUT 11/64-40		*		1
27	22945505	THREAD TENSION SPRING		*		1
28	40113092	THREAD TENSION DISK		*		2
29	21378708	THREAD TENSION POST		*		1
30	22945703	THREAD TENSION NUT		*		1
31	SM6040800SP	SCREW				2
32	22538706	PACKING				1

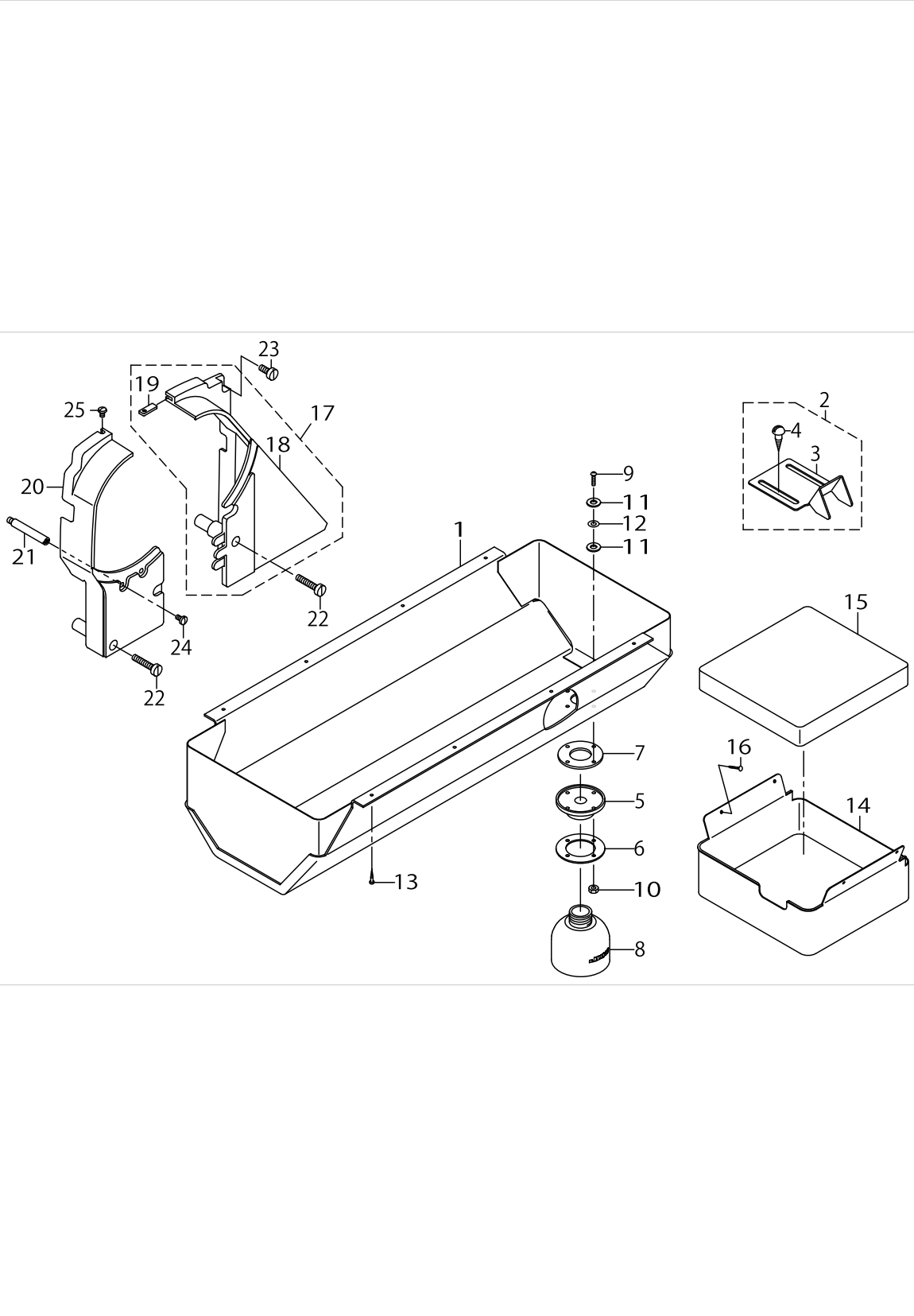
KNEE LIFTING COMPONENTS



KNEE LIFTING COMPONENTS

No.	Parts No.	Parts name	Remarks	Level	Cons	Qty
1	21343207	KNEE LIFTER SHAFT BASIS				1
2	SM6061202TP	SCREW M6 L=12				3
3	21342555	KNEE LIFTER SHAFT A ASM.				1
4	21342506	KNEE LIFTER SHAFT A		*		1
5	21342605	KNEE LIFTER SHAFT PIN		*		1
6	21343702	KNEE LIFTER SHAFT A SPRING				1
7	21343801	KNEE LIFTER SPRING RACK				1
8	SM6051602TP	SCREW M5X0.8 L=16				1
9	21342704	KNEE LIFTER SHAFT B				1
10	RE0800000K0	E-SHAPED SNAP RING (8MM)				1
11	21343009	KNEE LIFTER LEVER B				2
12	SM6052002TP	SCREW M5 L=20				2
13	21342803	KNEE LIFTER LEVER A				1
14	SM6052002TP	SCREW M5 L=20				1
15	SM8052502TP	SCREW M5X0.8 L=25				1
16	NM6050001SD	NUT M5X0.8				1
17	21342902	KNEE LIFTER LINK				1
18	SD0700451TP	HINGE SCREW D=7 H=4.5				2
19	21343405	KNEE LIFTER CONNECTING PLATE				1
20	SD0700451TP	HINGE SCREW D=7 H=4.5				2
21	21343355	KNEE LIFTER LEVER ASM.				1
22	SM6062502TP	SCREW M6 L=25				2
23	22863252	KNEE LIFTER JOINT ASM.				1
24	B3428521000	PRESSER SPRING		*		1
25	SS7090510SP	SCREW 9/64-40 L=4.6		*		1
26	22863203	KNEE LIFTER JOINT		*		1
27	22932453	BRACKET ASM.				1
28	22932404	BRACKET		*		1
29	22934707	SCREW		*		2
30	21343157	KNEE PRESS PLATE ASM.				1
31	SM9061203SE	SCREW M6 L=12		*		1
32	21343108	KNEE PRESS LEVER		*		1
33	22934509	KNEE PAD PLATE COVER		*		1
34	22934400	KNEE PAD PLATE RUBBER		*		1
35	22934202	KNEE PAD PLATE		*		1
36	22934301	KNEE PAD PLATE SUPPORT		*		1

BELT COVER & OIL RESERVOIR COMPONENTS

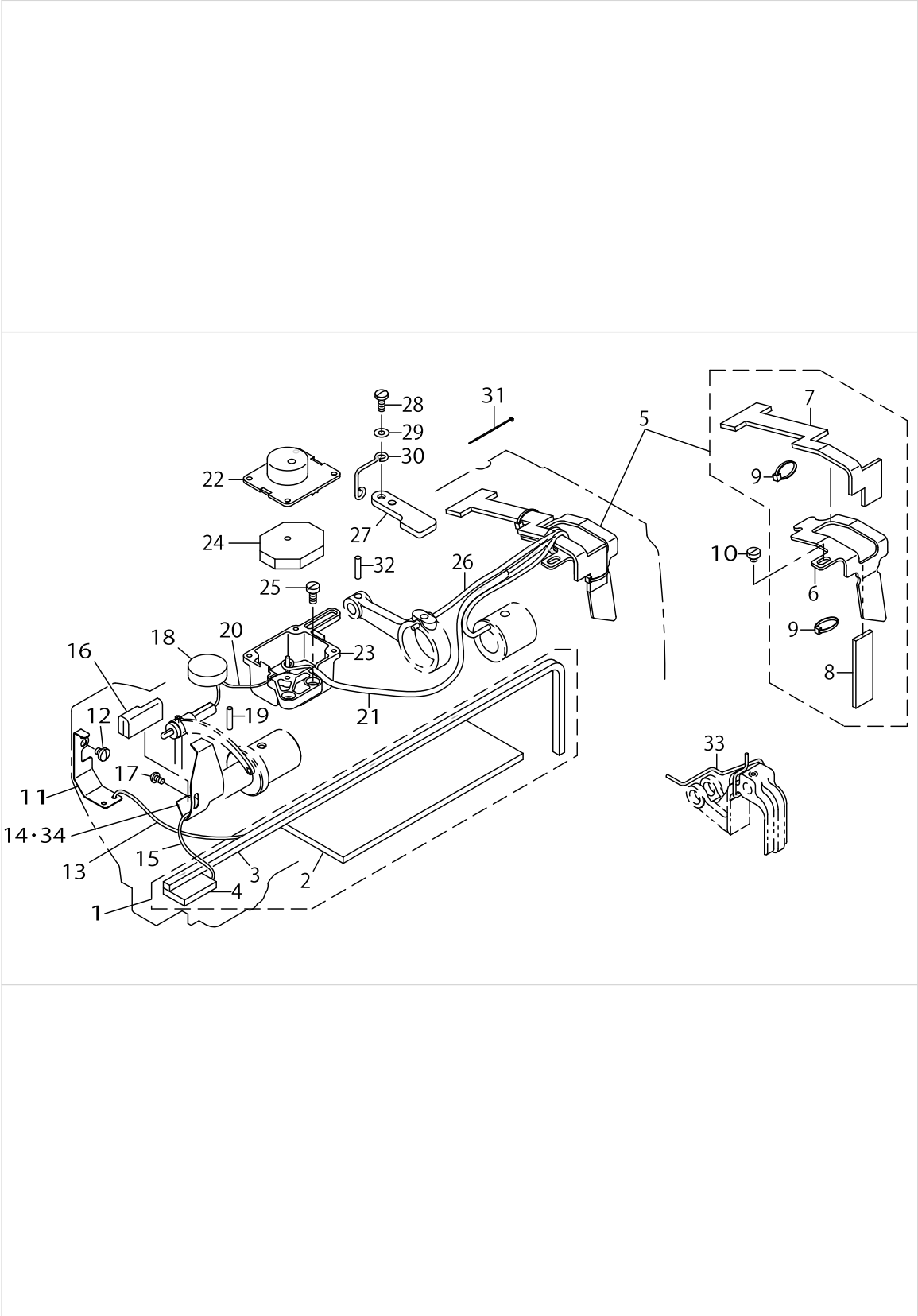


BELT COVER & OIL RESERVOIR COMPONENTS

No.	Parts No.	Parts name	Remarks	Level	Cons	Qty
1	21351457	OIL RESERVOIR ASM.				1
2	10755254	BELT COVER C ASM. (FOR JE)				1
3	10755205	BELT COVER C(JE)		*		1
4	SK3482500SC	WOOD SCREW D=4.8 L=25		*		2
5	40025299	OIL POT JOINT				1
6	21379003	OIL MANAGEMENT WASHER				1
7	B8112220000	OIL SEAL				1
8	40025300	OIL POT				1
9	SM3031401SE	SCREW M3X0.5 L=14				4
10	NM6030001SC	NUT M3				4
11	10748101	OIL REMOVING SETSCREW PACKING				8
12	WP0320501SC	WASHER M3				4
13	SK3241601SC	WOOD SCREW D=2.4 L=16				8
14	B1839563000	OIL RECEIVING COVER				1
15	B1841563000	OIL DRIP FELT				1
16	10539906	SET NAIL				4
17	21351150	BELT COVER ASM. (RIGHT)				1
18	21351101	BELT COVER (RIGHT)		*		1
19	21351002	BELT COVER AUXILIARY PLATE		*		1
20	21351200	BELT COVER (LEFT)				1
21	D8232241E00	BELT COVER SUPPORT A				1
22	SS6153040SP	SCREW 15/64-28 L=30				2
23	SS6151440SP	SCREW 15/64-28 L=14				1
24	SS7110840SP	SCREW 11/64-40 L=7.8				1
25	SS5110740TP	SCREW 11/64-40 L=6.5				1



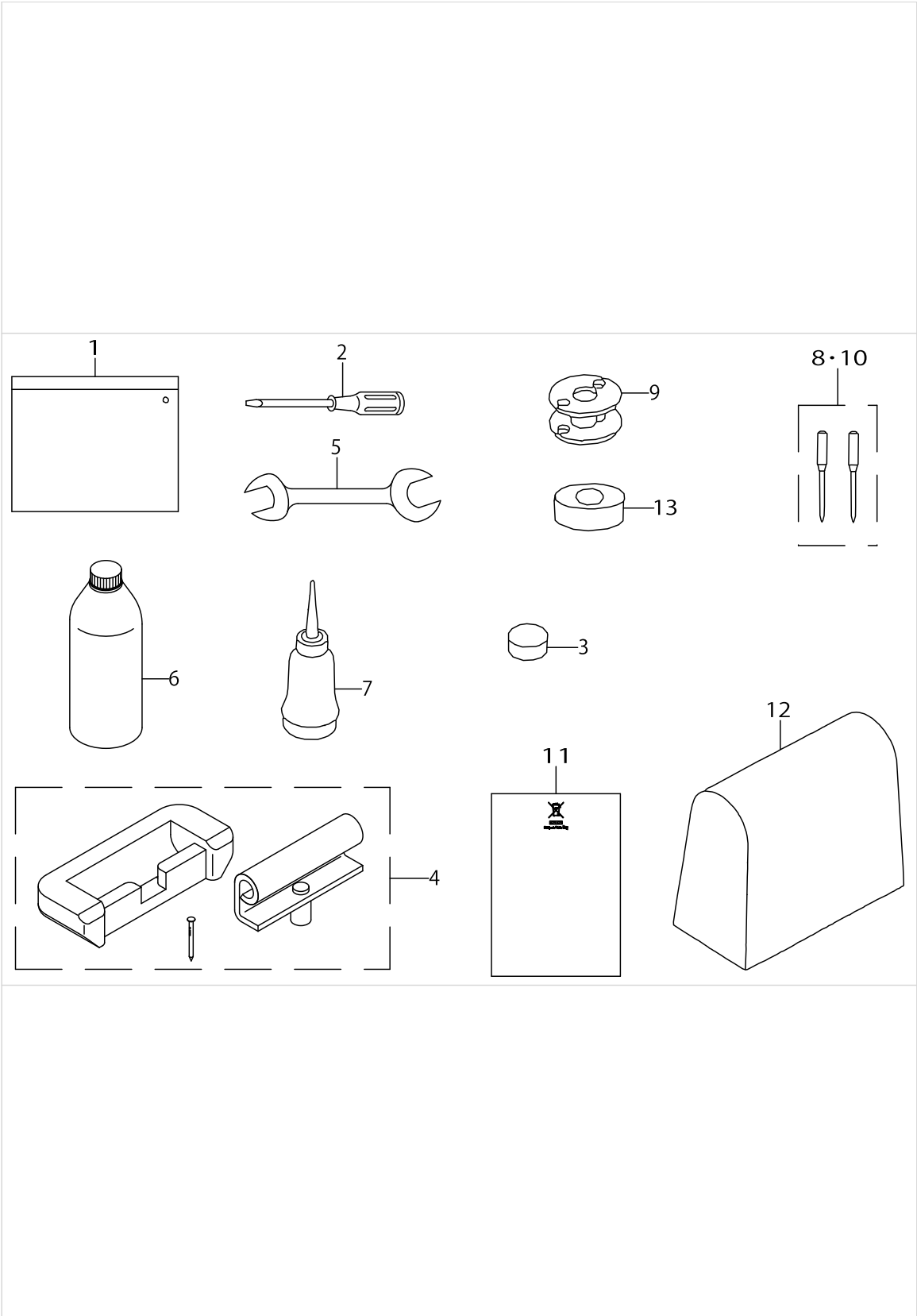
LUBRICATION COMPONENTS



LUBRICATION COMPONENTS

No.	Parts No.	Parts name	Remarks	Level	Cons	Qty
1	21345756	ARM ONCE THROUGH OIL FELT ASM.				1
2	21345707	ARM ONCE THROUGH FELT A		*		1
3	21345806	ARM ONCE THROUGH FELT B		*		1
4	21345905	FACE ONCE THROUGH FELT		*		1
5	21346358	FELT SUPPORT ASM.				1
6	21346309	FELT SUPPORT		*		1
7	21346507	FEED CHANGE FELT		*		1
8	21346408	FELT		*		1
9	EA9500B0000	CLIP CV-70S		*		2
10	SS6110480SP	SCREW 11/64-40 L=4.3				1
11	21340708	UPPER FEED OIL BAR PLATE				1
12	SS7110510SP	SCREW 11/64-40 L=5				1
13	CQ202000000	OIL WICK				0.2
14	B1140051000	TAKE-UP OIL SPLASHER	FOR LU-1508N			1
15	CQ202000000	OIL WICK				0.25
16	21347208	TAKE-UP LUBRICATION FELT				1
17	SS3090610SP	SCREW 9/64-40 L=6				1
18	21346002	FELT				1
19	B1412051000	FELT				1
20	CQ252000000	OIL WICK				0.3
21	BT0500300EA	OIL TUBE				0.25
22	21407507	OIL TANK A				1
23	21407606	OIL TANK B				1
24	21407705	FELT				2
25	SS6111010TP	SCREW 11/64-40 L=9.5				2
26	CQ202000000	OIL WICK				0.2
27	21339700	UPPER FEED STOPPER PLATE (B)				1
28	SS7111120TP	SCREW				2
29	WP0450801SD	WASHER 4.5X10X0.8				1
30	22620504	OIL WICK HOLDER				1
31	EA9500B0100	CABLE BAND				1
32	PS0500202KP	SPRING PIN 5X20				1
33	CQ202000000	OIL WICK	FOR LU-1508NH			0.21
34	21347000	TAKE-UP OIL PLATE	FOR LU-1508NH			1

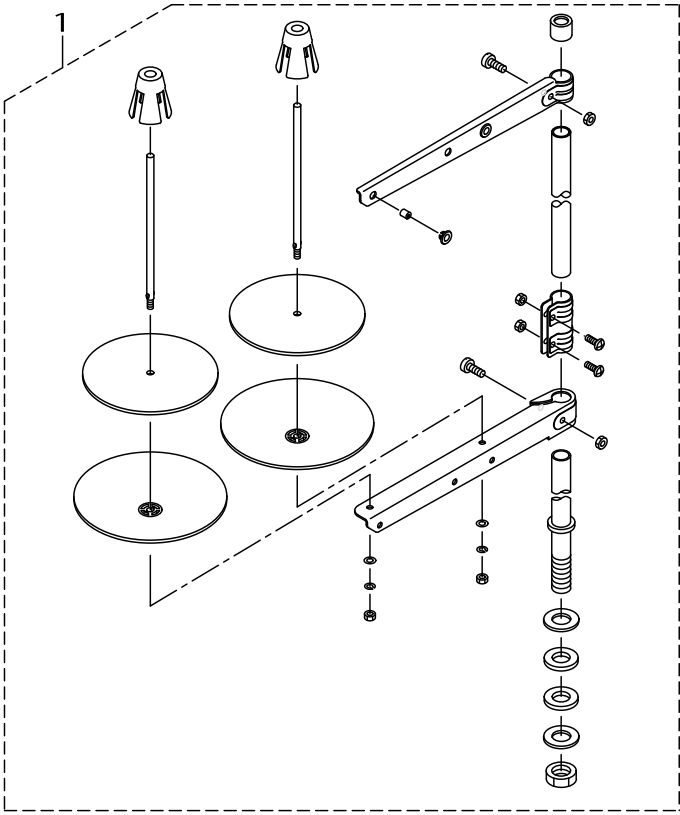
ACCESSORIES PARTS COMPONENTS



ACCESSORIES PARTS COMPONENTS

No.	Parts No.	Parts name	Remarks	Level	Cons	Qty
1	21413158	ACCESSORY BAG ASM.				1
2	22933006	SCREW DRIVER LARGE				1
3	B8206012000	FELT CUSHION				4
4	21413257	RUBBER HINGE ASM.				1
5	B9113012000	WRENCH (9X10)				1
6	MDFRX2700C0	NEW DEFRIX OIL NO.2(700CC)				1
7	B91210120A0	OILER ASM.				1
8	MC0190R1602	NEEDLE 190R #160-2	FOR LU-1508NH			1
9	B9117563000	BOBBIN				1
10	M13517B1602	NEEDLE 135X17 #160-2				1
11	CM600100201	WEEE INFORMATION SHEET				1
12	22933303	VINYL COVER				1
13	B8209012000	RUBBER CUSHION				4

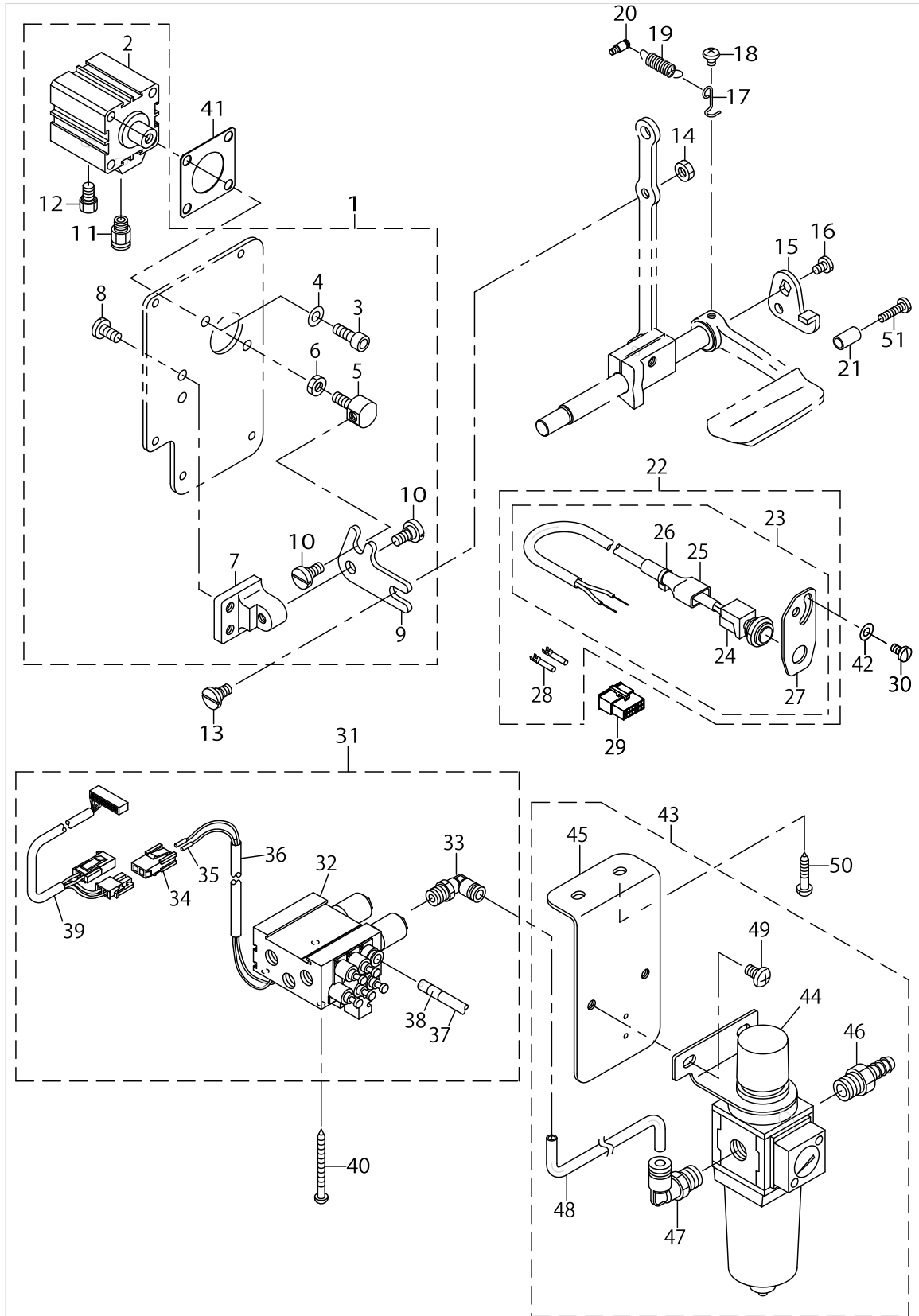
THREAD STAND COMPONENTS



THREAD STAND COMPONENTS

No.	Parts No.	Parts name	Remarks	Level	Cons	Qty
1	40096354	THREAD STAND ASM.				1

AUTOMATIC BACK COMPONENTS (OPTIONAL PARTS)

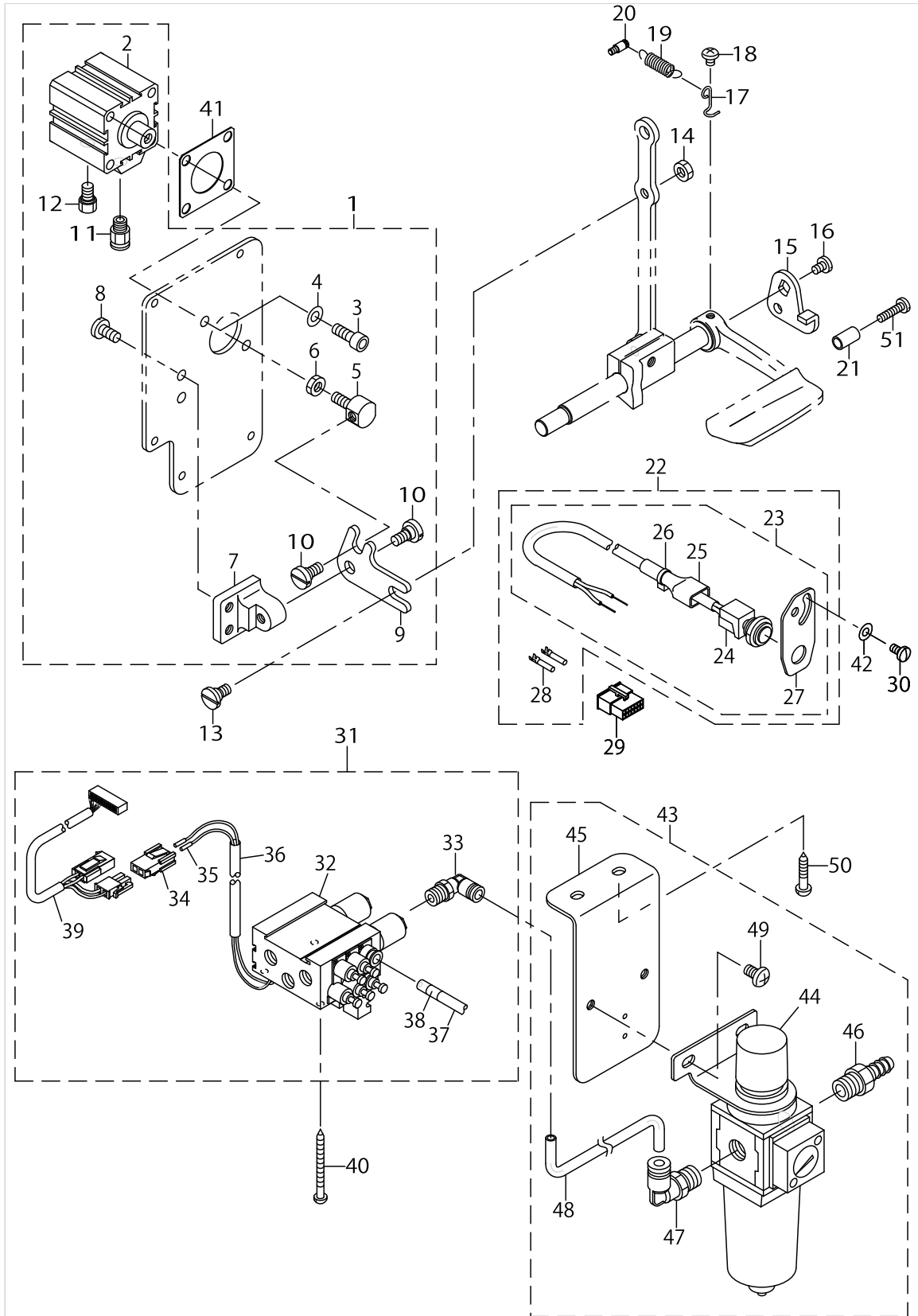


AUTOMATIC BACK COMPONENTS (OPTIONAL PARTS)

No.	Parts No.	Parts name	Remarks	Level	Cons	Qty
1	21348958	WINDOW PLATE ASM.				1
2	PA320150200	JIG CYLINDER		*		1
3	SM6061602TP	SCREW M6 L=16		*		2
4	WP0641601SD	WASHER M6		*		2
5	21348602	CYLINDER CONNECTING SCREW		*		1
6	NM6060003SC	NUT M6		*		1
7	21348503	FITTING BASE		*		1
8	SS7151210SP	SCREW 15/64-28 L=12		*		2
9	21348701	BACKWARD FEED LINK		*		1
10	SD0800352SP	HINGE SCREW D=8 H=3.5		*		2
11	PJ301065104	HALF UNION		*		1
12	PX015101000	MUFFLER		*		1
13	SD0800402TP	HINGE SCREW D=8 H=4				1
14	NS6150430SP	NUT 15/64-28				1
15	22656102	REVERSE FEED LINK (1)				1
16	SS7120760SP	SCREW 3/16-28 L=7.0				1
17	22656003	SPRING SUSPENSION				1
18	SS4120615SP	SCREW 3/16-28 L=6				1
19	26226209	SPRING				1
20	40023289	SPRING SUSPENSION				1
21	22952501	BACK LEVER STOPPER				1
22	40056366	BT SWITCH C ASM.				1
23	40056365	BT SWITCH B ASM.		*		1
24	40056364	BT SWITCH A ASM.		*		1
25	GTS01037000	CONNECTOR COVER		*		1
26	EA9500B0100	CABLE BAND		*		1
27	21388608	SWITCH FITTING PLATE		*		1
28	HK03464000A	TERMINAL FEMALE		*		2
29	HK034610140	HOUSING 14P				1
30	SS7110840SP	SCREW 11/64-40 L=7.8				2
31	40107488	AIR APPARATUS ASM.				1
32	40105335	ELECTROMAGNETIC VALVE (F)		*		1
33	GAK29010000	ELBOW B		*		1
34	HK034620020	2P PLUG		*		1
35	HK03463000A	TERMINAL		*		2
36	GAKA1503000	INSULATION TUBE		*		1
37	BT0600401EB	TUBE		*		1.3
38	HX002950000	WIRE MARK(1)		*		4
39	40105811	CORD ASM.		*		1
40	SK3385001SE	WOOD SCREW D=3.8 L=50				4
41	21349105	CYLINDER PACKING				1
42	WP0501016SD	WASHER 5X10.5X1				2
43	40038722	FILTER REGULATAR ASM.				1
44	PF0552170A0	FILTER REGULATOR		*		1
45	40038723	FILTER REGULATOR MOUNTING PLATE		*		1
46	40107618	NIPPLE		*		1
47	GAK29009000	ELBOW		*		1



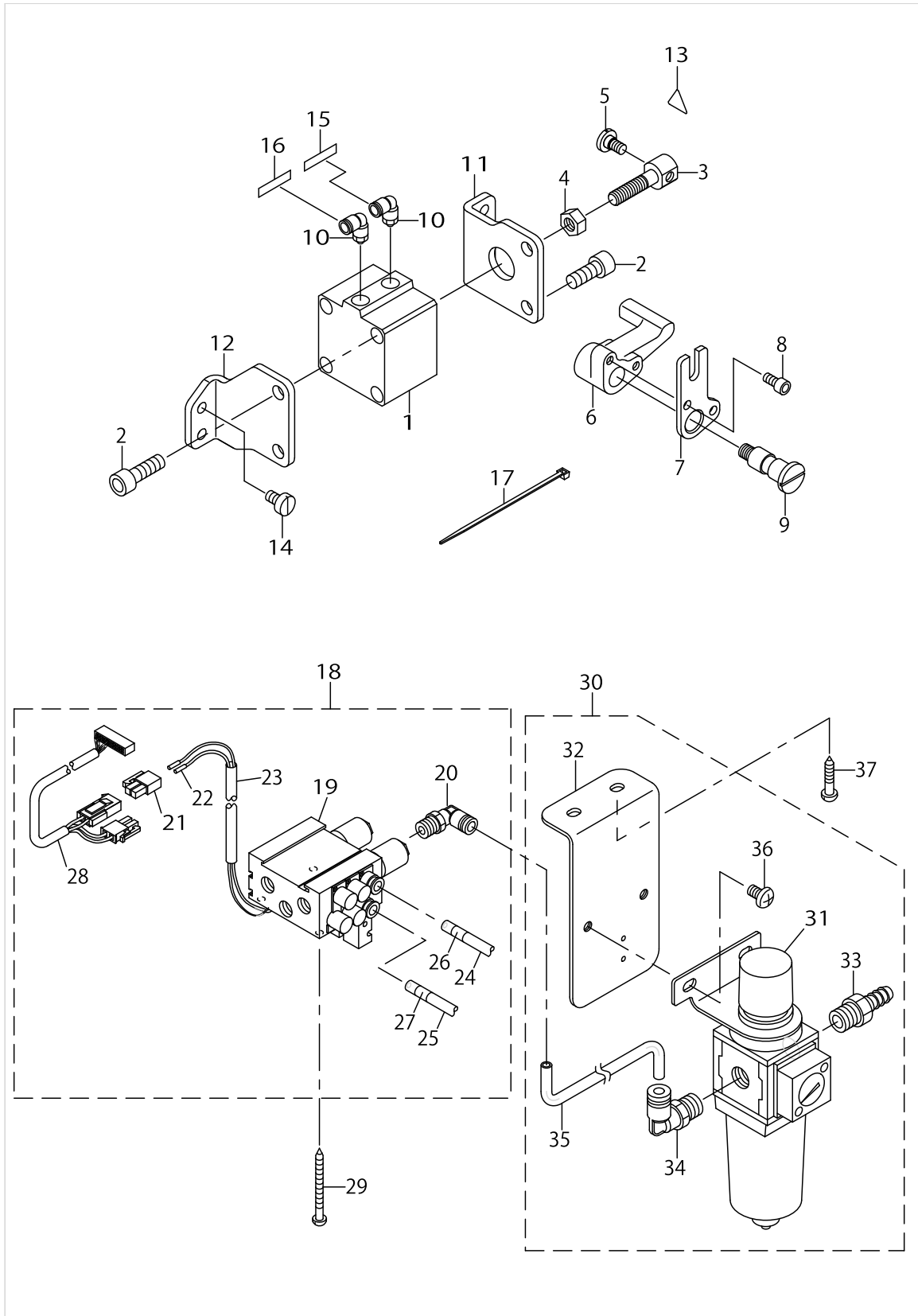
AUTOMATIC BACK COMPONENTS (OPTIONAL PARTS)



AUTOMATIC BACK COMPONENTS (OPTIONAL PARTS)

No.	Parts No.	Parts name	Remarks	Level	Cons	Qty
48	BT0600401EB	TUBE		*		0.28
49	SM4061001SB	SCREW M6 L=10		*		2
50	SK3482501SE	WOOD SCREW D=4.8 L=25				2
51	SS7111810SP	SCREW 11/64-40 L=18				1

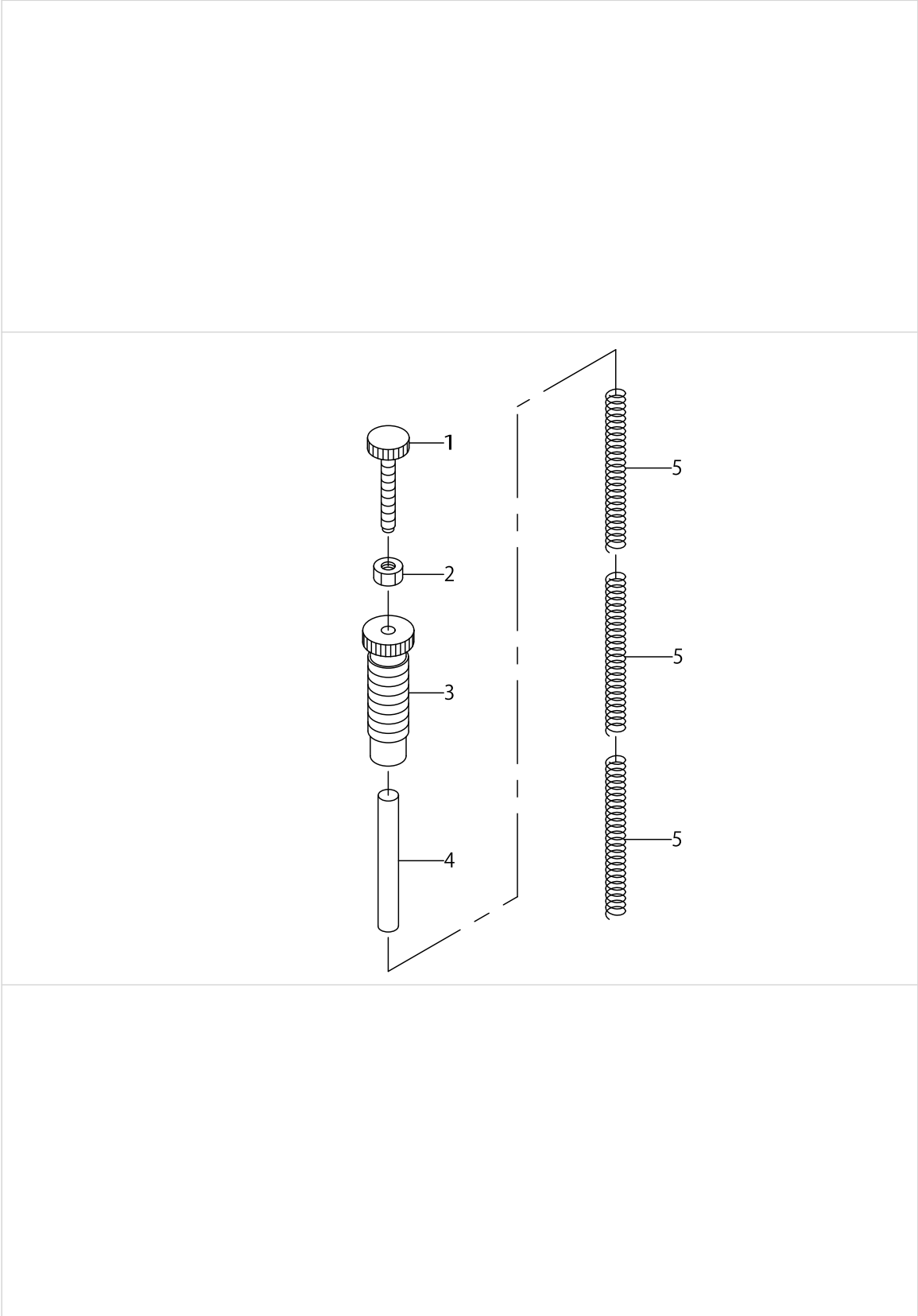
AUTOMATIC PRESSER LIFTING MECHANISM COMPONENTS (OPTIONAL PARTS)



AUTOMATIC PRESSER LIFTING MECHANISM COMPONENTS (OPTIONAL PARTS)

No.	Parts No.	Parts name	Remarks	Level	Cons	Qty
1	PA400150100	AIR CYLINDER				1
2	SM6082002TP	SCREW M8 L=20				4
3	21356506	CYLINDER CONNECTING SCREW				1
4	NM6080001SE	NUT M8				1
5	SD0720331SP	HINGE SCREW D=7.24 H=3.3				1
6	21356605	LEVER A				1
7	21356803	LEVER B				1
8	SM6051002TP	SCREW M5X0.8 L=10				2
9	21356704	SHAFT				1
10	PJ304065101	ELBOW UNION 6XPT1/8				2
11	21356308	CYLINDER STAY(FRONT)				1
12	21356407	CYLINDER STAY(REAR)				1
13	CM300200001	ATTENTION SEAL				1
14	SS6151040SP	SCREW 15/64-28 L=10				4
15	HX002950000	WIRE MARK(1)				1
16	HX00295000A	WIRE MARK(2)				1
17	EA9500B0100	CABLE BAND				3
18	40103003	AIR APPARATUS(P)ASM.				1
19	40038904	MAGNETIC VALVE(P)		*		1
20	GAK29010000	ELBOW B		*		1
21	HK034610020	2-POLE NYLON PLUG		*		1
22	HK03464000A	TERMINAL FEMALE		*		2
23	GAKA1503000	INSULATION TUBE		*		1
24	BT0600401EB	TUBE		*		1.3
25	BT0600401EB	TUBE		*		1.3
26	HX00295000A	WIRE MARK(2)		*		4
27	HX00295000B	WIRE MARK(3)		*		4
28	40105811	CORD ASM.		*		1
29	SK3385001SE	WOOD SCREW D=3.8 L=50				4
30	40038722	FILTER REGULATAR ASM.				1
31	PF0552170A0	FILTER REGULATOR		*		1
32	40038723	FILTER REGULATOR MOUNTING PLATE		*		1
33	40107618	NIPPLE		*		1
34	GAK29009000	ELBOW		*		1
35	BT0600401EB	TUBE		*		0.28
36	SM4061001SB	SCREW M6 L=10		*		2
37	SK3482501SE	WOOD SCREW D=4.8 L=25				2

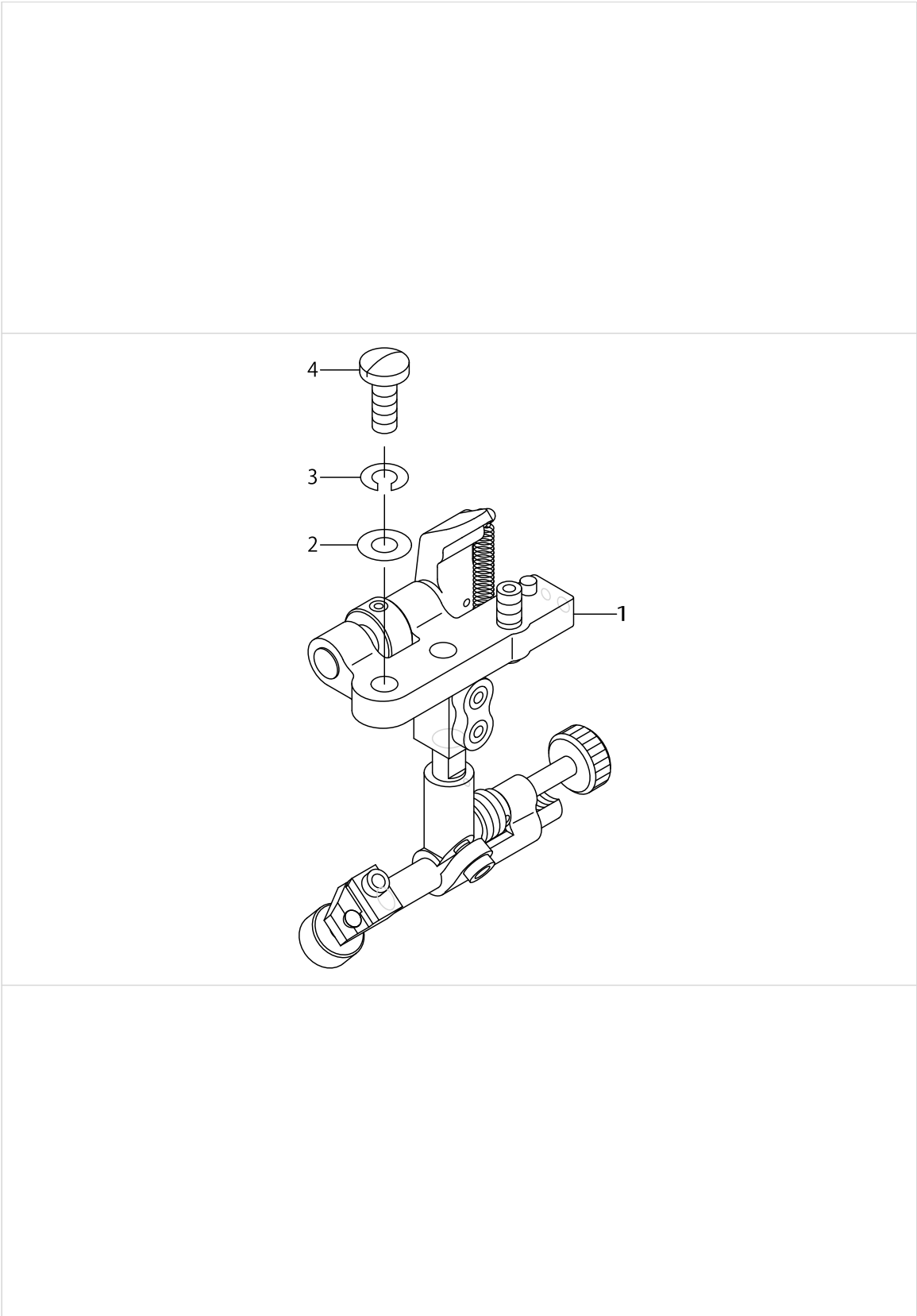
OPTIONAL PARTS (ADDITIONAL SPRING FOR PRESSER BAR)COMPONENTS



OPTIONAL PARTS (ADDITIONAL SPRING FOR PRESSER BAR)COMPONENTS

No.	Parts No.	Parts name	Remarks	Level	Cons	Qty
1	21006507	ADJUST SCREW B				1
2	NS6110530SP	NUT 11/64-40				1
3	21006408	ADJUST SCREW A				1
4	21342407	GUIDE SHAFT				1
5	21006002	ADJUST SPRING B				3

SUSPENSION SQUARE (OPTION) COMPONENTS















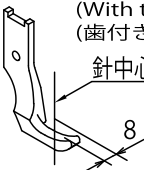


SUSPENSION SQUARE (OPTION) COMPONENTS

No.	Parts No.	Parts name	Remarks	Level	Cons	Qty
1	MAH152010A0	RULER				1
2	WP0621016SD	WASHER 6.2X13X1				2
3	WS0610002KN	SPRING WASHER 6.1X12.2X1.5				2
4	SS7151610SP	SCREW 15/64-28 L=16				2



OPTIONAL PARTS COMPONENTS (1)

Item	Walking foot		Item	Presser foot				
	品名	中足		品名	外足			
For piping パイピング用	 (Commonly used for every size of presser foot) (各サイズ共用)		 	Ref.No.	Part No.	Size(mm)	Ref.No.	Part No.
				1	B1478-245-000	4.4mm(5/32)	12	B1530-245-0AC
						4.8mm(3/16)	13	B1530-245-0AD
						6.4mm(1/4)	14	B1530-245-0AF
						7.9mm(5/16)	15	B1530-245-0AH
						9.5mm(3/8)	16	B1530-245-0AK
	 	 	Size(mm)	Ref.No.	Part No.	Size(mm)	Ref.No.	Part No.
			4.4mm(5/32)	2	B1478-245-000	4.4mm(5/32)	17	B1531-245-0AC
			4.8mm(3/16)	3	B1479-245-00D	4.8mm(3/16)	18	B1531-245-0AD
			6.4mm(1/4)	4	B1479-245-00F	6.4mm(1/4)	19	B1531-245-0AF
7.9mm(5/16)			5	B1479-245-00H	7.9mm(5/16)	20	B1531-245-0AH	
9.5mm(3/8)					9.5mm(3/8)			
 	 	Size(mm)	Ref.No.	Part No.	Size(mm)	Ref.No.	Part No.	
		4.4mm(5/32)	6	B1474-245-00C	4.4mm(5/32)	21	B1527-245-0AC	
		4.8mm(3/16)	7	B1474-245-00D	4.8mm(3/16)	22	B1527-245-0AD	
		6.4mm(1/4)	8	B1474-245-00F	6.4mm(1/4)	23	B1527-245-0AF	
		7.9mm(5/16)	9	B1474-245-00H	7.9mm(5/16)	24	B1527-245-0AH	
		9.5mm(3/8)	10	B1474-245-00K	9.5mm(3/8)	25	B1527-245-0AK	
 (With teeth) (歯付き)		 (With teeth) (歯付き) 針中心	Ref.No.	Part No.	Ref.No.	Part No.		
			11	103-38309	26	B1525-563-SA0		

OPTIONAL PARTS COMPONENTS (1)

No.	Parts No.	Parts name	Remarks	Level	Cons	Qty
1	B1478245000	INNER PRESSER				1
2	B1478245000	INNER PRESSER				1
3	B147924500D	CENTER PRESSER FOOT 3/16				1
4	B147924500F	BACK CUT INNER PRESSER 1/4				1
5	B147924500H	BACK CUT INNER PRESSER 5/16				1
6	B147424500C	INNER PRESSER 5/32				1
7	B147424500D	INNER PRESSER (BLADE) 3/16				1
8	B147424500F	WALKING FOOT F				1
9	B147424500H	INNER PRESSER 5/16				1
10	B147424500K	CENTER PRESSER FOOT 3/8				1
11	10338309	UPPER FEED FOOT				1
12	B15302450AC	OUTER PRESSER ASM. 5/32				1
13	B15302450AD	OUTER PRESSER FOOT ASM. 3/16.				1
14	B15302450AF	OUTER PRESSER FOOT 1/4 ASM.				1
15	B15302450AH	OUTER PRESSER FOOT ASM. (5/16)				1
16	B15302450AK	OUTER PRESSER FOOT ASM. (3/8)				1
17	B15312450AC	OUTER PRESSER FOOT ASM. (5/32)				1
18	B15312450AD	OUTER PRESSER FOOT ASM. 3/16				1
19	B15312450AF	OUTER PRESSER ASM. 1/4				1
20	B15312450AH	FEEDING FRAME 5/16 ASM.				1
21	B15272450AC	OUTER PRESSER FOOT ASM. 5/32				1
22	B15272450AD	FEEDING FRAME 3/16 ASM.				1
23	B15272450AF	OUTER PRESSER ASM. 1/4				1
24	B15272450AH	OUTER PRESSER FOOT ASM. 5/16				1
25	B15272450AK	OUTER PRESSER FOOT ASM.3/8				1
26	B1525563SA0	PRESSER FOOT ASM.				1

OPTIONAL PARTS COMPONENTS (2)

Item 品名	Walking foot 中足	Presser foot 外足	Item 品名	Throat plate 針板	Feed dog 送り歯												
Ref.No.	1	7	Ref.No.	12	14												
Part No.	MAQ-09307000	MAQ-093080A0	Part No.	B1109-562-A00	B1613-562-A00												
		/															
Ref.No.	2		Ref.No.	13	15												
Part No.	MAN-10452000	Part No.	B1109-563-C00	B1613-563-C00													
				<table border="1"> <thead> <tr> <th>Item 品名</th> <th colspan="2">Feed driving eccentric 上下送り加</th> </tr> </thead> <tbody> <tr> <td></td> <td></td> <td></td> </tr> <tr> <td>Ref.No.</td> <td>16</td> <td>17</td> </tr> <tr> <td>Part No.</td> <td>B1840-051-000</td> <td>213-78104</td> </tr> </tbody> </table>		Item 品名	Feed driving eccentric 上下送り加					Ref.No.	16	17	Part No.	B1840-051-000	213-78104
Item 品名	Feed driving eccentric 上下送り加																
Ref.No.	16	17															
Part No.	B1840-051-000	213-78104															
Ref.No.	3	8															
Part No.	B1476-245-00A	B1529-245-0AA															
Ref.No.	4	9															
Part No.	103-25306	103-25157															
Ref.No.	5	10															
Part No.	103-26205	103-26304															
Ref.No.	6	11															
Part No.	B1470-245-000	B1524-245-0A0															

OPTIONAL PARTS COMPONENTS (2)

No.	Parts No.	Parts name	Remarks	Level	Cons	Qty
1	MAQ09307000	WALKING FOOT				1
2	MAN10452000	UPPER FEED FOOT				1
3	B147624500A	INNER PRESSER				1
4	10325306	WALKING FOOT				1
5	10326205	UPPER FEED FOOT				1
6	B1470245000	WALKING FOOT				1
7	MAQ093080A0	PRESSER FOOT ASM.				1
8	B15292450AA	OUTER PRESSER FOOT ASM. RIGHT				1
9	10325157	PRESSER FOOT ASM.				1
10	10326304	PRESSER FOOT				1
11	B15242450A0	PRESSER FOOT ASM.				1
12	B1109562A00	THROAT PLATE (WIDE)				1
13	B1109563C00	THROAT PLATE				1
14	B1613562A00	FEED (WIDE)				1
15	B1613563C00	FEED DOG C				1
16	B1840051000	FEED DRIVING ECCENTRIC				1
17	21378104	FEED DRIVING ECCENTRIC				1



## HOW TO MAKE USE OF THIS PARTS LIST

### 1.Explanation of codes

1)"\*"mark.....means this part is changed from the previous parts book.

As to the details of the change, refer to the "List for information of change".

2)"#01".....refer to "Note" explanation at bottom of page.

### 2.Codes on the "Qty" column

• Each numeral indicates the number of parts required.

• "0.1" and "2.5" indicate the length (in meters) of the respective parts.

3.Parentheses mean that the corresponding part is a subpart that constructs an assembly part.

4.Dotted lines on the Figures indicate assembly parts.

### 1."注記"欄の記号説明

1) "\*"印.....前回のパーツブックに比較して今回変更された部品を意味します。

変更内容は、"変更情報リスト"を参照してください。

2) "#01".....ページ下の"注記"の説明を参照してください。

2.数量欄の数字は、個数を表し、0.1、2.5等の数値は、長さ（単位メートル）を表します。

3.数量欄の（ ）は、組部品を構成している子部品であることを意味します。

4.イラストページの-----枠は、組構成であることを意味します。

# NUMERICAL INDEX OF PARTS

PART NO	PAGE	REF NO.	PART NO	PAGE	REF NO.	PART NO	PAGE	REF NO.
10083202	18	57	21006002	44	5	21338900	10	22
10109700	20	13·41~ 48	21006408	44	3	21339007	10	28
10109809	20	13·41~ 48	21006507	44	1	21339056	10	27
10109908	20	16	21331202	2	11	21339106	6	8·55
10110906	20	13·41~ 48	21331301	2	4	21339304	10	25
10111003	20	13·41~ 48	21331608	2	18	21339700	32	27
10111102	20	13·41~ 48	21331756	2	8	21340401	12	1
10111201	20	13·41~ 48	21331806	2	12	21340500	12	2
10112407	20	17	21332002	2	13	21340708	32	11
10112506	20	13·41~ 48	21332200	2	46	21340906	12	42
10112605	22	13·41~ 48	21332309	2	16	21341151	12	46
10112704	20	13·41~ 48	21332507	6	13·57	21342407	44	4
10122000	18	90	21332606	8	13·57	21342506	28	4
10124204	24	13	21332705	6	1	21342555	28	3
10201200	2	42	21332903	8	29·58	21342605	28	5
10205201	16	20	21333000	6	2	21342704	28	9
10308609	10	11	21333109	6	18	21342803	28	13
10320109	24	3	21333406	8	59	21342902	28	17
10321107	24	24~26	21333604	20	25	21343009	28	11
10325157	50	9	21333703	8	48	21343108	28	32
10325306	50	4	21334008	6	29·58	21343157	28	30
10326205	50	5	21334701	20	15	21343207	28	1
10326304	50	10	21335005	20	1	21343355	28	21
10337905	14	55	21336003	16	2	21343405	28	19
10338309	48	11	21336052	16	1	21343702	28	6
10502300	26	21	21336300	18	60·61	21343801	28	7
10509701	12	22	21336409	18	60·61	21345707	32	2
10539906	30	16	21336607	18	49	21345756	32	1
10618304	26	8	21336656	18	48	21345806	32	3
10704807	26	19	21336805	16	41·42	21345905	32	4
10741106	24	14	21336904	16	41·42	21346002	32	18
10748101	30	11	21337001	18	68	21346309	32	6
10755205	30	3	21337100	18	69	21346358	32	5
10755254	30	2	21337209	16	38·39	21346408	32	8
11272614	18	83	21337308	16	33	21346507	32	7
13138201	24	8	21337407	16	26	21347000	32	14·34
13789201	18	82	21337506	16	23	21347109	12	13
14512503	26	17	21337605	16	35	21347208	32	16
17912106	2	26	21337704	16	24	21347406	10	30
			21337803	16	27	21348206	24	24~26
			21337902	16	31	21348503	38	7
			21338108	16	38·39	21348602	38	5
			21338306	16	29	21348701	38	9
			21338603	10	18	21348958	38	1
			21338801	10	20	21349105	38	41

# NUMERICAL INDEX OF PARTS

PART NO	PAGE	REF NO.	PART NO	PAGE	REF NO.	PART NO	PAGE	REF NO.
21349303	18	87	21402300	6	27	22932404	28	28
21349600	2	38	21405204	10	2	22932453	28	27
21349709	2	39	21406103	14	48	22933006	34	2
21350004	14	59	21406509	12	28	22933303	34	12
21351002	30	19	21406608	14	57	22934202	28	35
21351101	30	18	21407507	32	22	22934301	28	36
21351150	30	17	21407606	32	23	22934400	28	34
21351200	30	20	21407705	32	24	22934509	28	33
21351457	30	1	21408505	2	25	22934707	28	29
21352505	8	64	21408554	2	24	22945505	24	15
21352604	18	58	21413158	34	1	22945505	26	27
21352703	18	56	21413257	34	4	22945703	24	16
21352901	18	71	21427307	20	26	22945703	26	30
21353008	6	23	21437900	12	36	22952501	18	85
21355706	26	24	21441050	24	2	22952501	38	21
21355755	26	23	21441100	24	17	23006406	24	24~26
21355904	2	6	22537658	26	2	23636202	26	5
21356001	26	6	22538151	26	4	26023200	18	77
21356308	42	11	22538706	26	32	26225201	12	29
21356407	42	12	22602601	2	47	26226209	38	19
21356506	42	3	22604300	8	66	40009103	18	50
21356605	42	6	22605406	8	6·56	40016148	8	67
21356704	42	9	22609309	16	15	40016798	2	1
21356803	42	7	22609408	16	12	40018339	12	16
21357959	26	3	22617906	24	9	40018340	14	63
21357967	26	1	22618201	24	7	40018341	12	23
21358205	26	9	22619100	2	43	40019926	16	36
21364104	16	10	22620504	32	30	40023289	18	81
21378104	50	17	22656003	38	17	40023289	38	20
21378302	12	5	22656102	38	15	40025299	30	5
21378302	16	13	22814909	10	33	40025300	30	8
21378500	20	14	22863203	28	26	40027746	10	26
21378708	26	29	22863252	28	23	40033026	12	12
21378906	18	54	22877609	2	9	40033027	12	11
21379003	30	6	22901805	2	45	40033029	12	19
21387402	6	25	22904106	12	7	40033030	12	24
21387501	6	31	22904106	16	18	40033031	12	40
21387600	6	34	22904155	12	6	40033032	12	39
21387709	6	33	22904155	16	17	40038692	8	61
21387808	6	38	22907604	12	43	40038700	8	50
21387907	8	62	22911804	16	44	40038702	8	51
21388004	18	66	22912000	16	46	40038722	38	43
21388400	10	16	22912109	16	47	40038722	42	30
21388608	38	27	22921308	24	12	40038723	38	45
21401906	6	4	22921407	24	11	40038723	42	32



NUMERICAL INDEX OF PARTS

PART NO	PAGE	REF NO.	PART NO	PAGE	REF NO.	PART NO	PAGE	REF NO.
40038904	42	19	B1412051000	32	19	B15312450AF	48	19
40039326	12	4	B1414232000	10	23	B15312450AH	48	20
40039454	18	75	B1414555000	12	21	B1604012000A	16	7
40042611	22	35-49	B1420563000	10	1	B1604051000	16	3
40055028	8	8-55	B1437051000	10	6	B1611055000	18	88
40056364	38	24	B1462053000	12	47	B1613562A00	50	14
40056365	38	23	B14670530A0	12	25	B1613563C00	50	15
40056366	38	22	B1467563000	10	14	B1639051000	6	46
40096354	36	1	B1468053000	12	26	B18035150A0	20	29
40103003	42	18	B1470241H00	14	51	B1816051000	20	40
40103925	24	1	B1470241HA0	14	50	B1817051000	20	35-49
40105335	38	32	B1470245000	50	6	B1820563000	20	2
40105811	38	39	B1471241H00	14	60	B1821051000	20	3
40105811	42	28	B147424500C	48	6	B1822563000	20	6
40107488	38	31	B147424500D	48	7	B1823051000	20	7
40107618	38	46	B147424500F	48	8	B1824563000	20	10
40107618	42	33	B147424500H	48	9	B18305630A0	20	23-30
40108675	2	22	B147424500K	48	10	B1830563BA0	20	23-30
40113092	26	28	B147624500A	50	3	B1839563000	30	14
40113224	6	36	B1478245000	48	2	B1840051000	20	31-33
40125273	2	20	B147924500D	48	3	B1840051000	50	16
40143083	6	26	B147924500F	48	4	B184005100A	20	31-33
40152631	2	3	B147924500H	48	5	B1841563000	30	15
40162860	20	38	B1501241H00	14	58	B1843563000	20	21
40197296	6	21	B1502246000	12	44	B1905563000	6	3
40197297	6	16	B1510141H00	12	38	B1906051000	6	5
B1109562A00	50	12	B1510155000	14	49	B1907051000	6	6-56
B1109562D00	4	49	B15242450A0	50	11	B3025141H00A	18	91
B1109563000	2	36	B1525241H00	14	54	B3125012000	24	6
B1109563C00	50	13	B1525241HA0	14	53	B3128520000	24	4
B1111563000	2	34	B1525563SA0	48	26	B3129526000	24	10
B1132521000	2	27	B15272450AC	48	21	B31370510A0	24	5
B1140051000	32	14-34	B15272450AD	48	22	B3138512000	2	32
B1148555000	26	11	B15272450AF	48	23	B3205210000	26	10
B1210051000	6	11	B15272450AH	48	24	B3428521000	28	24
B1214019000	6	32	B15272450AK	48	25	B8112220000	30	7
B1308055000	6	35	B15292450AA	50	8	B8206012000	34	3
B1310055000	6	37	B152989000CA	26	7	B8209012000	34	13
B1312563000A	6	44	B15302450AC	48	12	B9113012000	34	5
B1313055000	6	47	B15302450AD	48	13	B9117563000	20	24
B1314055000	6	39	B15302450AF	48	14	B9117563000	34	9
B1401053000	10	7	B15302450AH	48	15	B91210120A0	34	7
B1410771000	10	24	B15302450AK	48	16	BT0500300EA	32	21
B1411053000	10	8	B15312450AC	48	17	BT0600401EB	38	48
B1412051000	10	10	B15312450AD	48	18	BT0600401EB	40	48

NUMERICAL INDEX OF PARTS

PART NO	PAGE	REF NO.	PART NO	PAGE	REF NO.	PART NO	PAGE	REF NO.
BT0600401EB	42	35	HX00295000A	42	26	SD0700451TP	28	20
CM300200001	2	44	HX00295000B	42	27	SD0720331SP	42	5
CM300200001	42	13	M13517B1600	10	13·32	SD0800352SP	38	10
CM301300001	4	48	M13517B1602	34	8·10	SD0800402TP	16	34
CM600100201	34	11	MAH152010A0	46	1	SD0800402TP	38	13
CQ202000000	6	19	MAN10452000	50	2	SD0800481SP	12	45
CQ202000000	10	4	MAQ09307000	50	1	SD0900701TP	16	21
CQ202000000	16	51	MAQ093080A0	50	7	SD1000801SH	18	55
CQ202000000	18	51	MC0190R1600	10	13·32	SK3241601SC	30	13
CQ202000000	20	9	MC0190R1602	34	8·10	SK3385001SE	38	40
CQ202000000	32	33	MDFRX2700C0	34	6	SK3385001SE	42	29
CQ252000000	14	61	NM6030001SC	30	10	SK3482500SC	30	4
CQ252000000	32	20	NM6050001SD	28	16	SK3482501SE	40	50
CQ3000000F0	12	15	NM6060003SC	38	6	SK3482501SE	42	37
CQ303000000	6	9	NM6080001SE	42	4	SM3031401SE	30	9
CQ505000000	6	12	NS6110310SP	24	20	SM4061001SB	40	49
CS1201010SH	18	62	NS6110310SP	26	26	SM4061001SB	42	36
CS1201011SH	18	63	NS6110420SP	20	22	SM6040800SP	26	31
D1455055B00	12	33	NS6110530SP	12	35	SM6051002TP	42	8
D1456055B00	12	32	NS6110530SP	44	2	SM6051602TP	28	8
D2461481C00	18	76	NS6150310SP	18	53	SM6052002TP	28	14
D3162555B00	24	21	NS6150430SP	38	14	SM6061202TP	28	2
D3162555B00	26	25	NS6680320SP	16	22	SM6061602TP	38	3
D8232241E00	30	21	PA320150200	38	2	SM6061802TP	16	40
EA9500B0000	12	14	PA400150100	42	1	SM6062502TP	12	37
EA9500B0000	32	9	PF0552170A0	38	44	SM6062502TP	28	22
EA9500B0100	10	31	PF0552170A0	42	31	SM6082002TP	42	2
EA9500B0100	32	31	PJ301065104	38	11	SM6082502TP	20	20
EA9500B0100	38	26	PJ304065101	42	10	SM8050502TP	16	6
EA9500B0100	42	17	PS0500202KP	32	32	SM8050602TP	26	20
GAK29009000	38	47	PS0600502KP	24	22	SM8050612TP	18	52
GAK29009000	42	34	PX015101000	38	12	SM8052502TP	28	15
GAK29010000	38	33	RC0560711KP	26	12	SM8060602TP	6	28
GAK29010000	42	20	RE0400000K0	18	78	SM8080802TP	10	21
GAKA1503000	38	36	RE0500000K0	6	45	SM8080812TP	6	15
GAKA1503000	42	23	RE0500000K0	26	13	SM9061203SE	28	31
GTS01037000	38	25	RE0500711KP	16	8	SS2090710TP	2	29
HK034610020	42	21	RE0800000K0	28	10	SS2110920TP	2	37
HK034610140	38	29	RE0900000K0	18	65	SS3090610SP	32	17
HK034620020	38	34	RO092270200	16	45	SS4080620TP	24	18
HK03463000A	38	35	RO092270200	26	14	SS4110515SP	2	35
HK03464000A	38	28	SB120000200	8	53	SS4110815SP	2	17
HK03464000A	42	22	SD0380551SL	2	28	SS4111215SP	2	2
HX002950000	38	38	SD0470281SP	24	19	SS4120615SP	38	18
HX002950000	42	15	SD0640322TP	6	42	SS4150915SP	4	50

NUMERICAL INDEX OF PARTS

PART NO	PAGE	REF NO.	PART NO	PAGE	REF NO.	PART NO	PAGE	REF NO.
SS5090610SP	2	21	SS7111410SP	16	11	WP0482086SD	12	34
SS5110740TP	30	25	SS7111810SP	20	8	WP0501016SD	38	42
SS6090520SP	26	16	SS7111810SP	40	51	WP0501046SC	12	18
SS6090620SP	26	22	SS7112420SP	18	86	WP0502616SD	18	84
SS6090810SP	20	12	SS7120710SP	18	80	WP0612056SD	18	72
SS6090910SP	18	79	SS7120760SP	8	54	WP0621016SD	16	5
SS6090910TP	14	62	SS7120760SP	38	16	WP0621016SD	46	2
SS6091022TP	10	19	SS7150740SP	14	56	WP0641601SD	38	4
SS6110480SP	32	10	SS7150910TP	2	19	WP0650876SD	18	93
SS6110520TP	18	89	SS7151210SP	38	8	WP0850002SP	20	19
SS6110810TP	26	18	SS7151610SP	46	4	WS0610002KN	46	3
SS6111010TP	32	25	SS7621040SP	2	7	WS0610002KP	18	73
SS6111610SP	16	37	SS8110422TP	20	27			
SS6120930TP	18	67	SS8111010TP	6	43			
SS6121210TP	18	92	SS8111010TP	12	31			
SS6121610TP	16	16	SS8150510TP	20	34			
SS6121860SP	16	43	SS8150710TP	8	63			
SS6151040SP	42	14	SS8150710TP	12	9			
SS6151440SP	30	23	SS8150822TP	6	30			
SS6151780SP	12	27	SS8150822TP	16	59			
SS6151920SP	12	30	SS8150822TP	18	59			
SS6152440SP	10	29	SS8151150TP	10	5			
SS6153012TP	18	74	SS8151150TP	16	14			
SS6153040SP	20	18	SS8151150TP	20	32			
SS6153040SP	30	22	SS8151550SP	8	60			
SS6661110SP	8	65	SS8660530TP	20	37			
SS7080510TP	10	12	SS8660610TP	12	8			
SS7090510SP	28	25	SS8660610TP	16	64			
SS7090520TP	2	33	SS8660610TP	18	64			
SS7090610SP	16	30	SS8660612TP	6	40			
SS7090910SP	10	9	SS8660612TP	12	3			
SS7090910TP	16	32	SS8660670SP	20	36			
SS7091410SP	26	15	SS8660810TP	6	22			
SS7110510SP	12	20	SS8660810TP	20	39			
SS7110510SP	32	12	SS8661030SP	8	52			
SS7110710SP	6	24	SS9151440CP	16	4			
SS7110710SP	18	70	TA0750704R0	2	31			
SS7110830SP	10	17	TA0750704R0	6	20			
SS7110840SP	30	24	TA0750704R0	12	10			
SS7110840SP	38	30	TA1050504R0	2	40			
SS7110910TP	10	15	TA1250504R0	2	41			
SS7110910TP	12	41	TA1450404R0	2	30			
SS7110910TP	16	25	WP0320501SC	30	12			
SS7110910TP	24	23	WP0371016SD	20	11			
SS7111120TP	32	28	WP0450801SD	32	29			