

MODEL : LK-1910-5241/LK-1910-4261

List No : 1336-00

# PARTS LIST

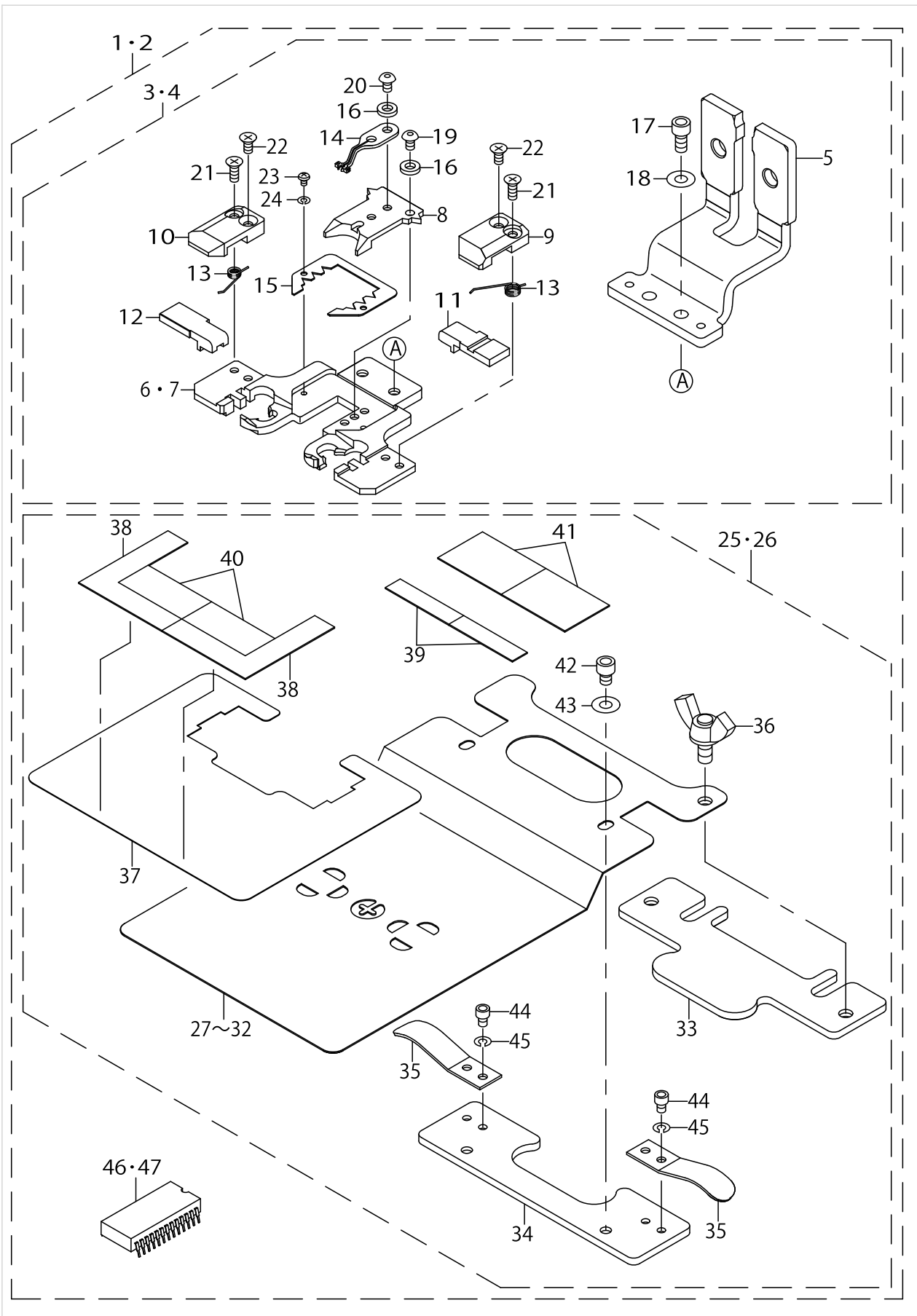
Published:09/10/2017

## CONTENTS

---

LK-1910-5241/5261 SEWING HOOKS ATTACHMENT COMPONENTS .....	1
LK-1910-5242 SEWING EYES ATTACHMENT COMPONENTS .....	5
WIPER COMPONENTS.....	7
HAND SWITCH COMPONENTS .....	9
NEEDLE BAR & TABLE COMPONENTS.....	11
CONTROL BOX & ACCESSORIES PARTS COMPONENTS.....	13
OPTION & ATTACHMENT COMPONENTS (1) .....	15
OPTION & ATTACHMENT COMPONENTS (2).....	19
HOW TO MAKE USE OF THIS PARTS LIST .....	21

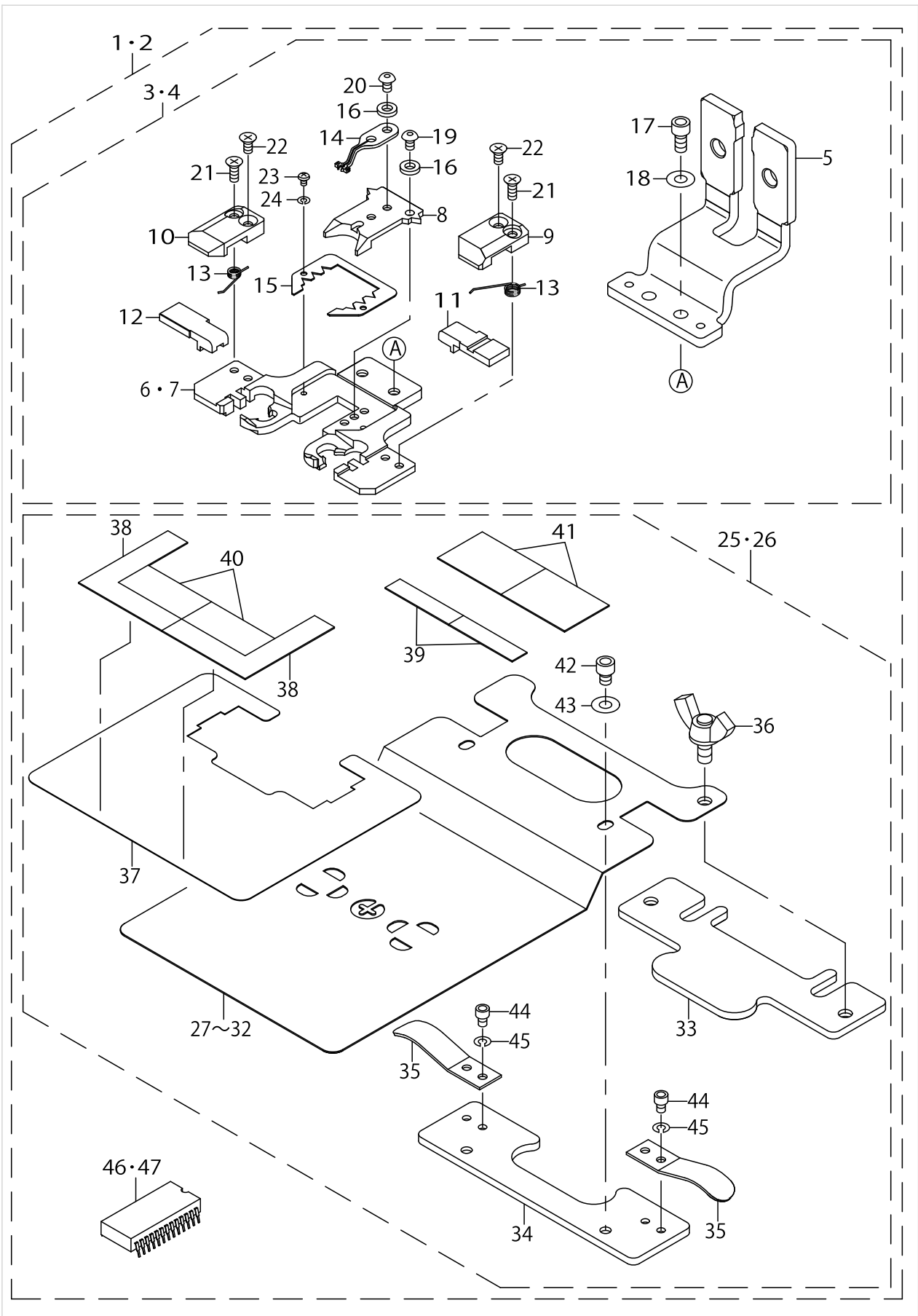
LK-1910-5241/5261 SEWING HOOKS ATTACHMENT COMPONENTS



LK-1910-5241/5261 SEWING HOOKS ATTACHMENT COMPONENTS

No.	Parts No.	Parts name	Remarks	Level	Cons	Qty
1	40005742	SEWING HOOKS ATTACHMENT ASM.	EXCLUSIVE PARTS FOR LK-1910-5241			1
2	40005743	SEWING HOOKS ATTACHMENT ASM.	EXCLUSIVE PARTS FOR LK-1910-5261			1
3	40004806	SEWING HOOKS ATTACHMENT ASM.	EXCLUSIVE PARTS FOR LK-1910-5241	*		1
4	40004850	SEWING HOOKS ATTACHMENT ASM.	EXCLUSIVE PARTS FOR LK-1910-5261	*		1
5	14217764	SLIDING PLATE COMPL.		*		1
6	40004808	BASE	EXCLUSIVE PARTS FOR LK-1910-5241	*		1
7	40004852	BASE	EXCLUSIVE PARTS FOR LK-1910-5261	*		1
8	40004809	SNAP PLATE		*		1
9	40004810	COVER ,RIGHT		*		1
10	40004811	COVER ,LEFT		*		1
11	40004812	PUSHER ,RIGHT		*		1
12	40004813	PUSHER ,LEFT		*		1
13	40004814	PUSHER SPRING		*		2
14	40004815	PUSHER HOLDER		*		1
15	40004816	SNAP AUXILIARY PLATE		*		1
16	40004829	SPACER		*		3
17	SM6040802TN	SCREW		*		2
18	WP0450826SC	WASHER 4.5X10X0.8		*		2
19	SM3030552TN	SCREW M3 L=5		*		1
20	SM3030552TN	SCREW M3 L=5		*		2
21	SM1030801SR	SCREW M3 L=8		*		2
22	SM1030601SC	SCREW M3 L=6		*		2
23	SM4020301SC	SCREW M2X0.4 L=3		*		2
24	WS0210002KN	SPRING WASHER M2		*		2
25	40004807	FEED PLATE ASM. HOOKS M-508	EXCLUSIVE PARTS FOR LK-1910-5241	*		1
26	40004851	FEED PLATE ASM. HOOKS M-608	EXCLUSIVE PARTS FOR LK-1910-5261	*		1
27	40004817	FEED PLATE	EXCLUSIVE PARTS FOR LK-1910-5241	*		1
28	40004827	FEED PLATE 5 M-508 HOOKS	OPTIONAL PARTS FOR LK-1910-5241	*		1
29	40004828	FEED PLATE 10 M-508 HOOKS	OPTIONAL PARTS FOR LK-1910-5241	*		1
30	40004853	FEED PLATE	EXCLUSIVE PARTS FOR LK-1910-5261	*		1
31	40004854	FEED PLATE 5 M-608 HOOKS	OPTIONAL PARTS FOR LK-1910-5261	*		1
32	40004855	FEED PLATE 10 M-608 HOOKS	OPTIONAL PARTS FOR LK-1910-5261	*		1
33	40004818	FITTING PLATE		*		1
34	40004819	FITTING AUXILIARY PLATE		*		1
35	40004820	LEVER		*		2
36	16137804	WING SCREW		*		1
37	40004822	PLATE		*		1
38	40004823	FIXING L GAUGE		*		2
39	40004824	GAUGE 2.5		*		2
40	40004825	GAUGE 3		*		2
41	40004826	GAUGE 3.5		*		2
42	SM6040502TN	SCREW		*		2

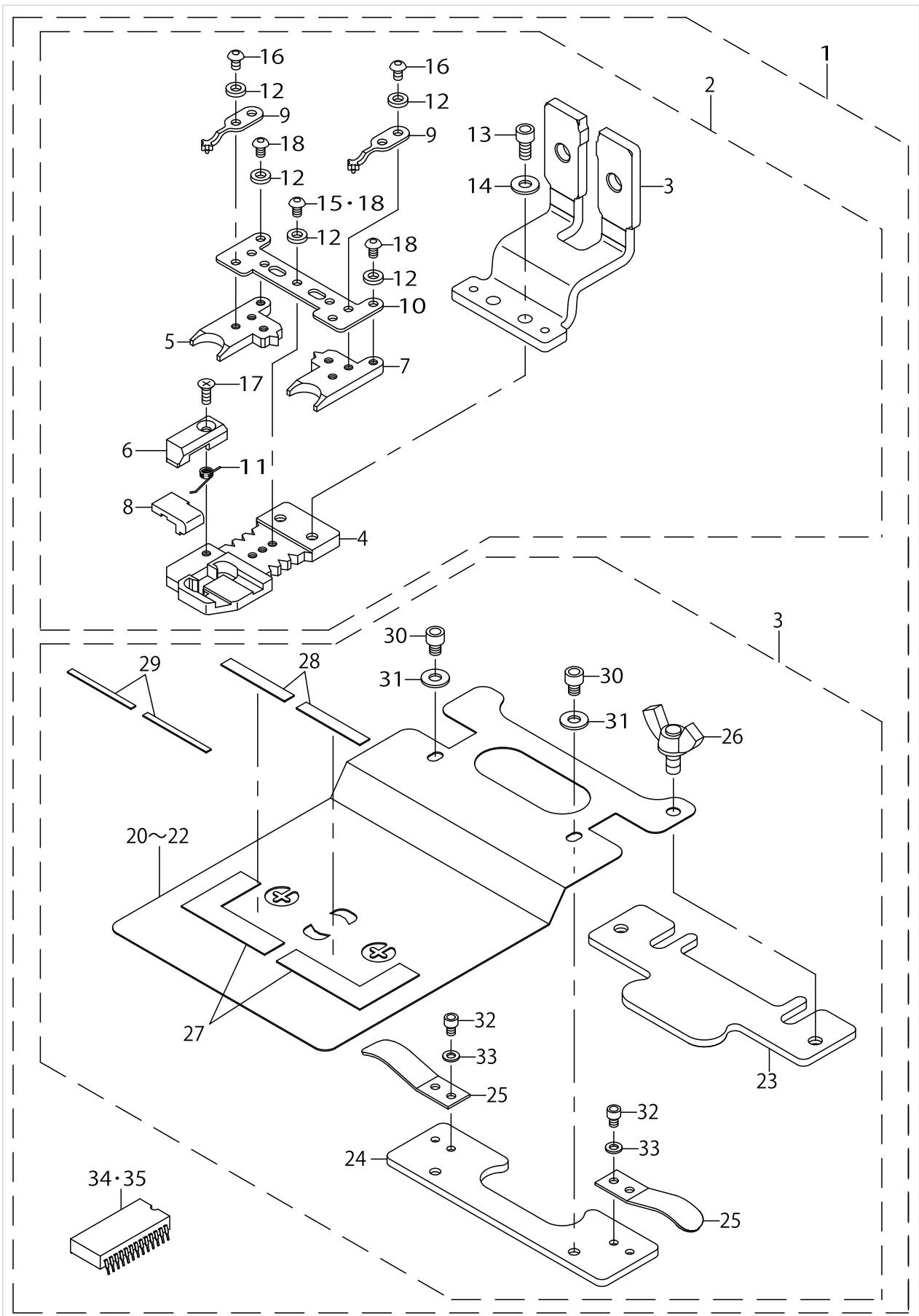
LK-1910-5241/5261 SEWING HOOKS ATTACHMENT COMPONENTS



LK-1910-5241/5261 SEWING HOOKS ATTACHMENT COMPONENTS

No.	Parts No.	Parts name	Remarks	Level	Cons	Qty
43	WP0450826SC	WASHER 4.5X10X0.8		*		2
44	SM6030402TN	SCREW M3X4		*		4
45	WS0310002KR	SPRING WASHER 3.1X5.9X0.7		*		4
46	HL011940004	MEMORY IC (M508)	EXCLUSIVE PARTS FOR LK-1910-5241	*		1
47	HL011940003	MEMORY IC (M608)	EXCLUSIVE PARTS FOR LK-1910-5261	*		1

LK-1910-5242 SEWING EYES ATTACHMENT COMPONENTS

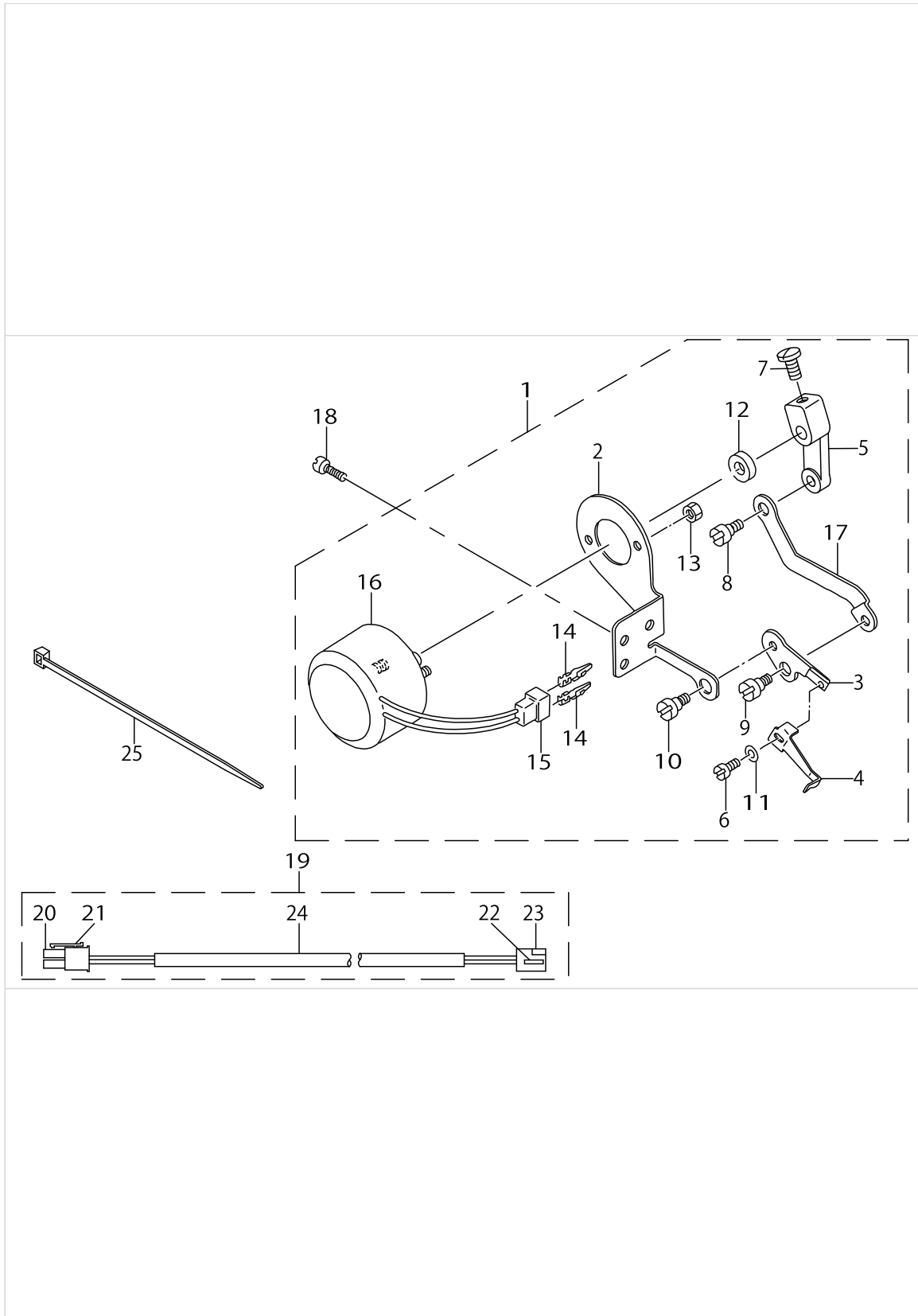


LK-1910-5242 SEWING EYES ATTACHMENT COMPONENTS

No.	Parts No.	Parts name	Remarks	Level	Cons	Qty
1	40005744	SEWING EYES ATTACHMENT ASM.				1
2	40004830	SEWING EYES ATTACHMENT ASM.		*		1
3	14217764	SLIDING PLATE COMPL.		*		1
4	40004832	BASE		*		1
5	40004833	SNAP AUXILIARY BASE, LEFT		*		1
6	40004834	COVER		*		1
7	40004835	SNAP AUXILIARY BASE, RIGHT		*		1
8	40004836	PUSHER		*		1
9	40004837	SNAP HOLDER		*		2
10	40004838	SNAP AUXILIARY PLATE		*		1
11	40004814	PUSHER SPRING		*		1
12	40004829	SPACER		*		9
13	SM6040802TN	SCREW		*		2
14	WP0450826SC	WASHER 4.5X10X0.8		*		2
15	SM3030552TN	SCREW M3 L=5		*		1
16	SM3030552TN	SCREW M3 L=5		*		4
17	SM1030801SR	SCREW M3 L=8		*		1
18	SM3030552TN	SCREW M3 L=5		*		4
19	40004831	FEED PLATE ASM. EYES M-508		*		1
20	40004839	FEED PLATE		*		1
21	40004843	FEED PLATE 5 EYES M-508	OPTIONAL PARTS	*		1
22	40004844	FEED PLATE 10 EYES M-508	OPTIONAL PARTS	*		1
23	40004818	FITTING PLATE		*		1
24	40004819	FITTING AUXILIARY PLATE		*		1
25	40004820	LEVER		*		2
26	16137804	WING SCREW		*		1
27	40004840	FIXING L GAUGE		*		2
28	40004841	GAUGE 3		*		2
29	40004842	GAUGE 3.5		*		2
30	SM6040502TN	SCREW		*		2
31	WP0450826SC	WASHER 4.5X10X0.8		*		2
32	SM6030402TN	SCREW M3X4		*		4
33	WS0310002KR	SPRING WASHER 3.1X5.9X0.7		*		4
34	HL011940004	MEMORY IC(M508)		*		1
35	HL011940003	MEMORY IC(M608)		*		1



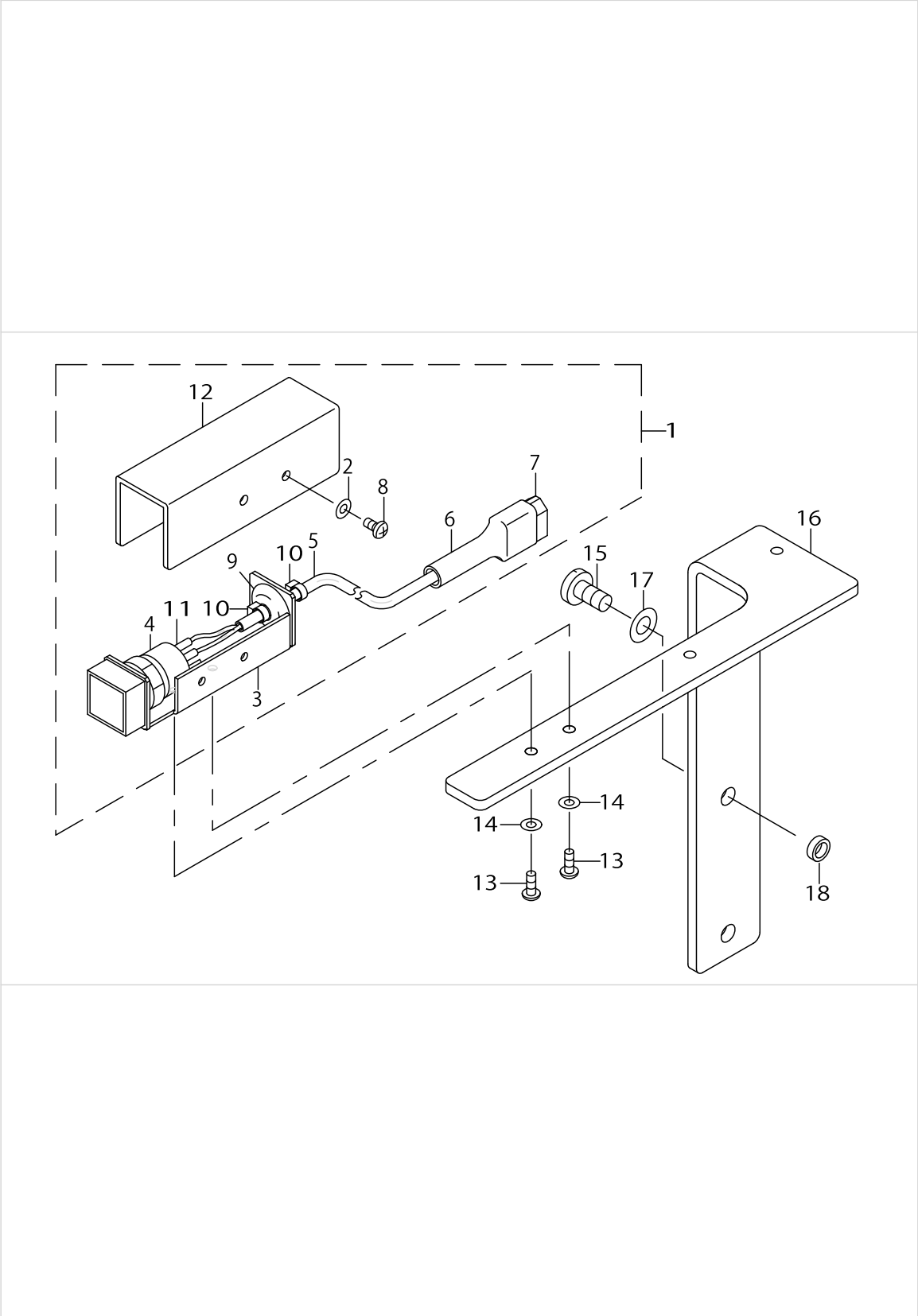
# WIPER COMPONENTS



WIPER COMPONENTS

No.	Parts No.	Parts name	Remarks	Level	Cons	Qty
1	B21012200A0	WIPER ASM.				1
2	B2104220000	SOLENOID INSTALLING PLATE		*		1
3	B2106220000	WIPER INSTALLING PLATE		*		1
4	B2107210000	WIPER		*		1
5	B210220500A	WIPER ARM		*		1
6	SS6090630TP	SCREW 9/64-40 L=6		*		1
7	SS7111120SP	SCREW 11/64-40 L=10.5		*		1
8	SD0600352SP	HINGE SCREW		*		1
9	SD0640321SP	HINGE SCREW D= 6.35 H= 3.2		*		1
10	SD0640321SP	HINGE SCREW D= 6.35 H= 3.2		*		1
11	WP0371016SD	WASHER 3.7X8X1		*		1
12	WP0561616SC	WASHER 5.6X16X1.6		*		1
13	NM6040003SC	NUT M4		*		2
14	HP000200200	PIN-SHAPE TERMINAL, MALE		*		2
15	HK018800020	2-POLE PLUG		*		1
16	B2101220000	WIPER SOLENOID		*		1
17	B2103220000	WIPER CONNECTING PLATE		*		1
18	SS7110840SP	SCREW 11/64-40 L=7.8				2
19	M90605920A0	CONNECTING CABLE ASM.				1
20	HK03461002B	HOUSING		*		1
21	HK034640000	PIN CONTACT		*		2
22	HP000600210	CONNECTOR PIN		*		2
23	HK018820020	RECEPTACLE 2P		*		1
24	HW000590020	CABTYRE CORD		*		1.7
25	EA9500B0100	CABLE BAND				1

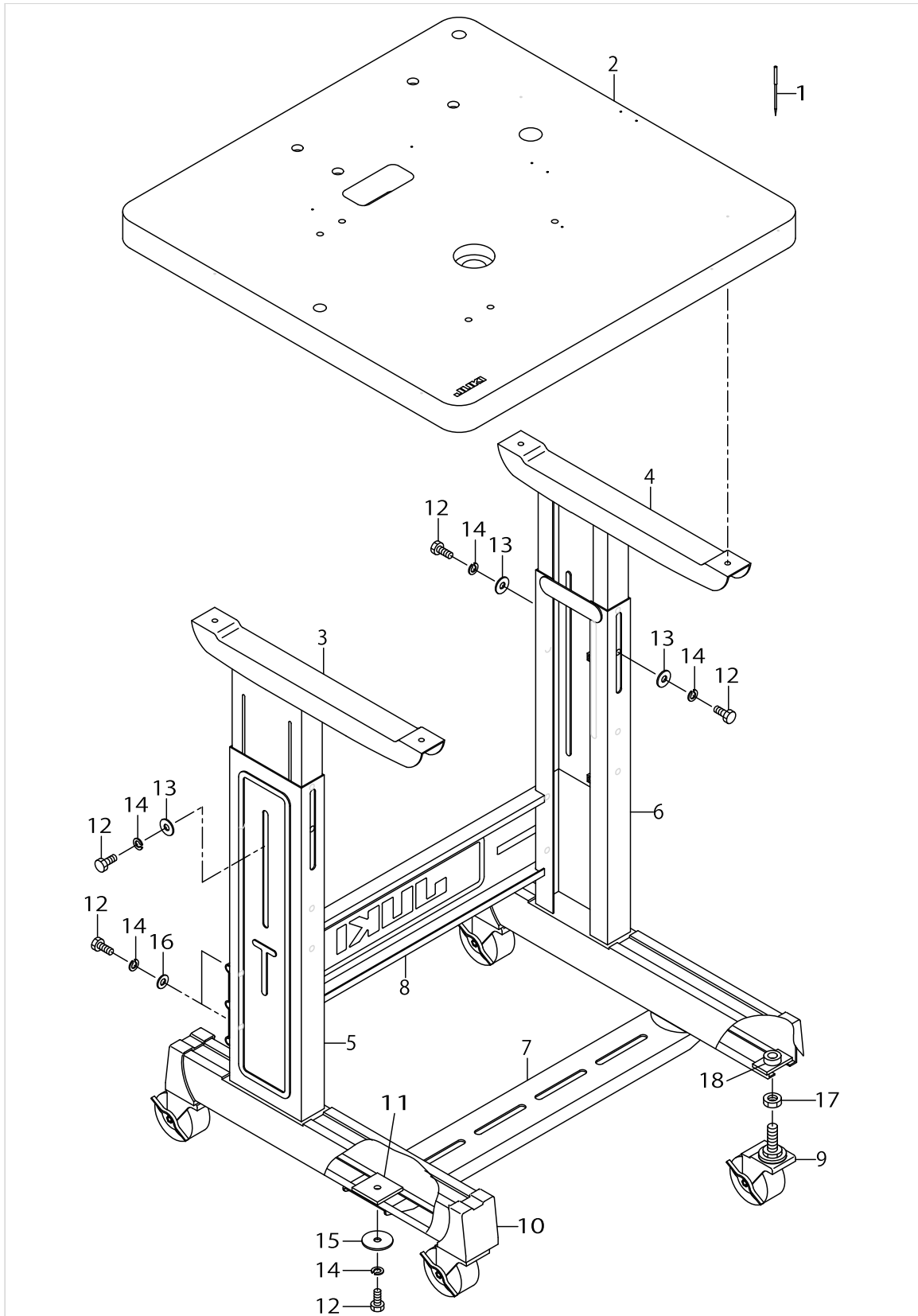
HAND SWITCH COMPONENTS



HAND SWITCH COMPONENTS

No.	Parts No.	Parts name	Remarks	Level	Cons	Qty
1	D8310205KAA	NEAR SWITCH A ASM.				1
2	WP0320501SC	WASHER M3		*		2
3	D1129205K0AA	SWITCH BASE		*		1
4	HA002830000	PUSH SWITCH		*		1
5	HW500140000	2-C CABLE		*		1.6
6	MAT81126T00	2-POLE PLUG COVER		*		1
7	MAI15040000	2-POLE PLUG		*		1
8	SM4030601SN	SCREW M3 X 6		*		2
9	D2570205K0A	GLOMMET		*		1
10	EA9500B0000	CLIP CV-70S		*		2
11	E8760452D00	TUBE 0.015M		*		0.06
12	G6214345000	START SWITCH COVER		*		1
13	SM4030801SN	SCREW M3 L=8				2
14	WP0320501SC	WASHER M3				2
15	SS7151210SP	SCREW 15/64-28 L=12				2
16	40004861	HAND SWITCH FITTING PLATE				1
17	WP0641601SD	WASHER M6				2
18	B1504280000	COLLAR				2

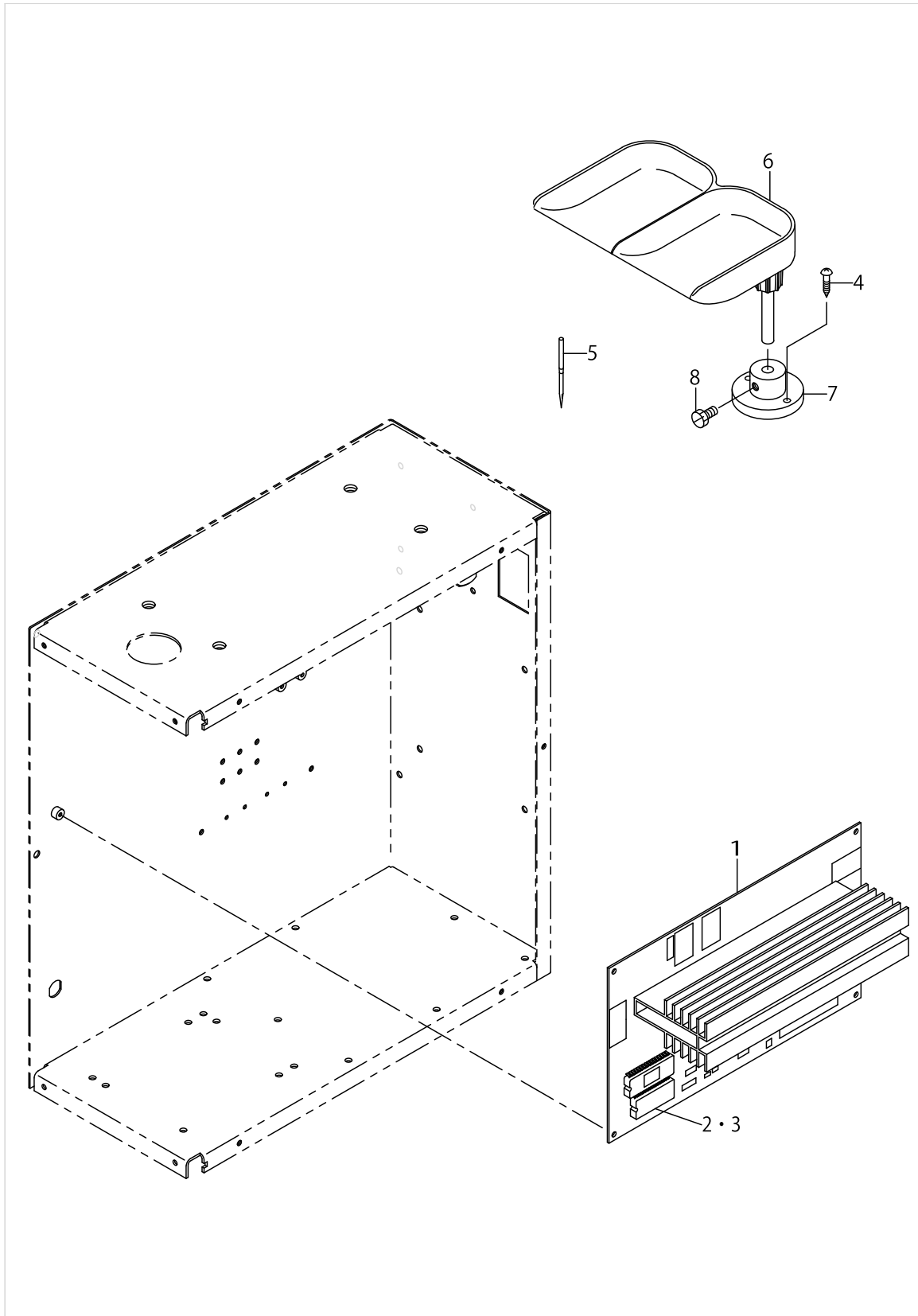
# NEEDLE BAR & TABLE COMPONENTS



NEEDLE BAR & TABLE COMPONENTS

No.	Parts No.	Parts name	Remarks	Level	Cons	Qty
1	MDP170B1400	NEEDLE DPX17 #14				1
2	40004860	TABLE				1
3	B81012050BA	UPPER STAND ASM., LEFT				1
4	B81022050AA	UPPER STAND COMPL., RIGHT				1
5	18077909	LOWER LEG, LEFT				1
6	18078006	LOWER LEG, RIGHT				1
7	D8307205K0A	LEG BOTTOM SUPPORT				1
8	D8308205K0A	STAND SIDE SUPPORT				1
9	17007204	CASTER				4
10	18078204	CAP				4
11	17007402	NUT				2
12	SM9082023SE	SCREW M8 L=20				12
13	17007907	WASHER				6
14	WS0861410KR	SPRING WASHER 8.6X15X1.4				12
15	17008004	WASHER				2
16	17008103	WASHER				4
17	NM6120003SE	NUT M12				4
18	17007105	RING				4

CONTROL BOX & ACCESSORIES PARTS COMPONENTS

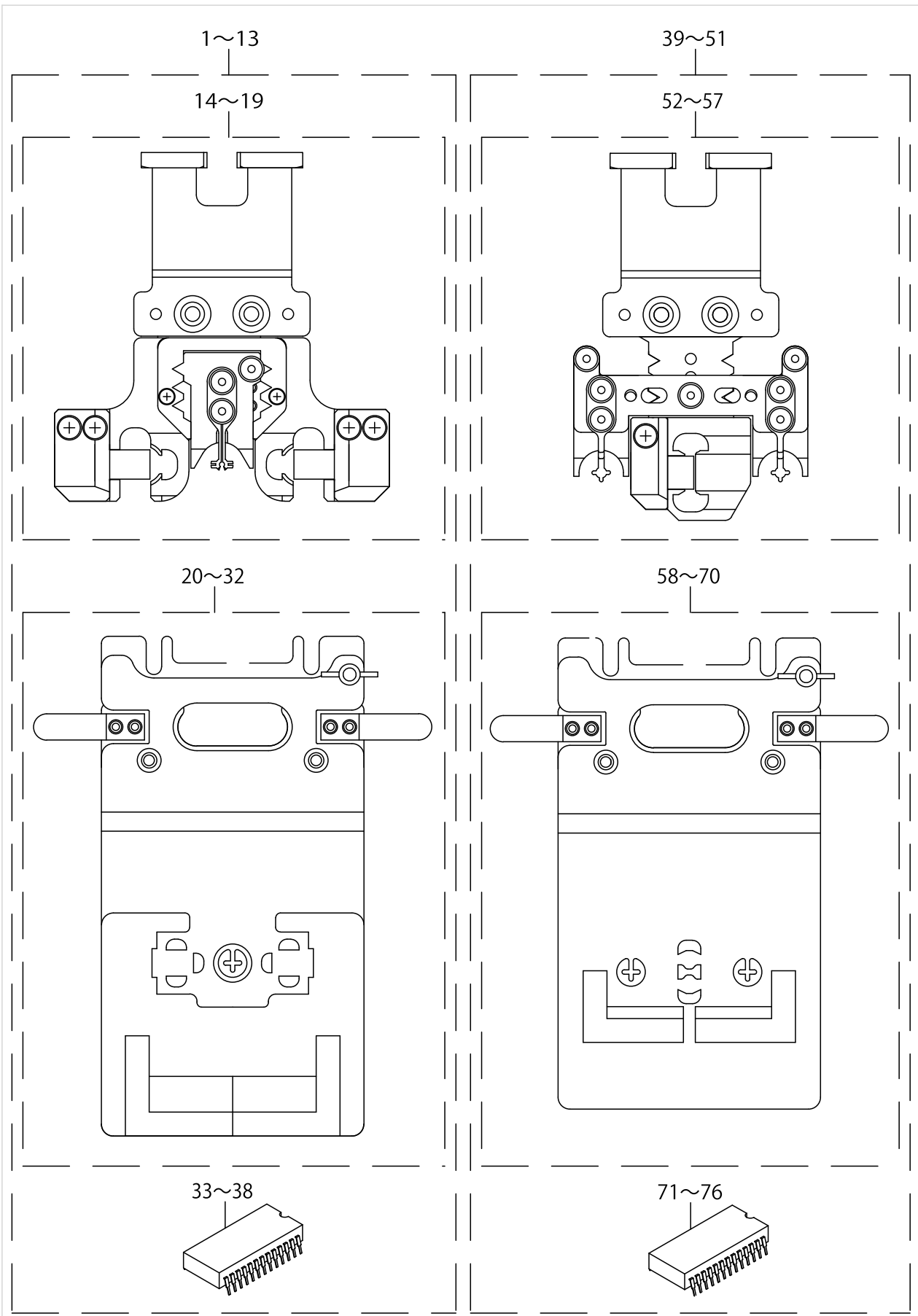


CONTROL BOX & ACCESSORIES PARTS COMPONENTS

No.	Parts No.	Parts name	Remarks	Level	Cons	Qty
1	M8601592AB0	MAIN CIRCUIT BOARD A ASM.				1
2	HL011940004	MEMORY IC (M508)				1
3	HL011940003	MEMORY IC (M608)				1
4	SS9151210TP	SCREW 15/64-28 L=11.8				1
5	MDP170B1402	NEEDLE DPX17#14-2				1
6	17848458	BUTTON TRAY ASM.				1
7	17848508	BUTTON TRAY BASE				1
8	SK3412001SE	WOOD SCREW D=4.1 L=20				2



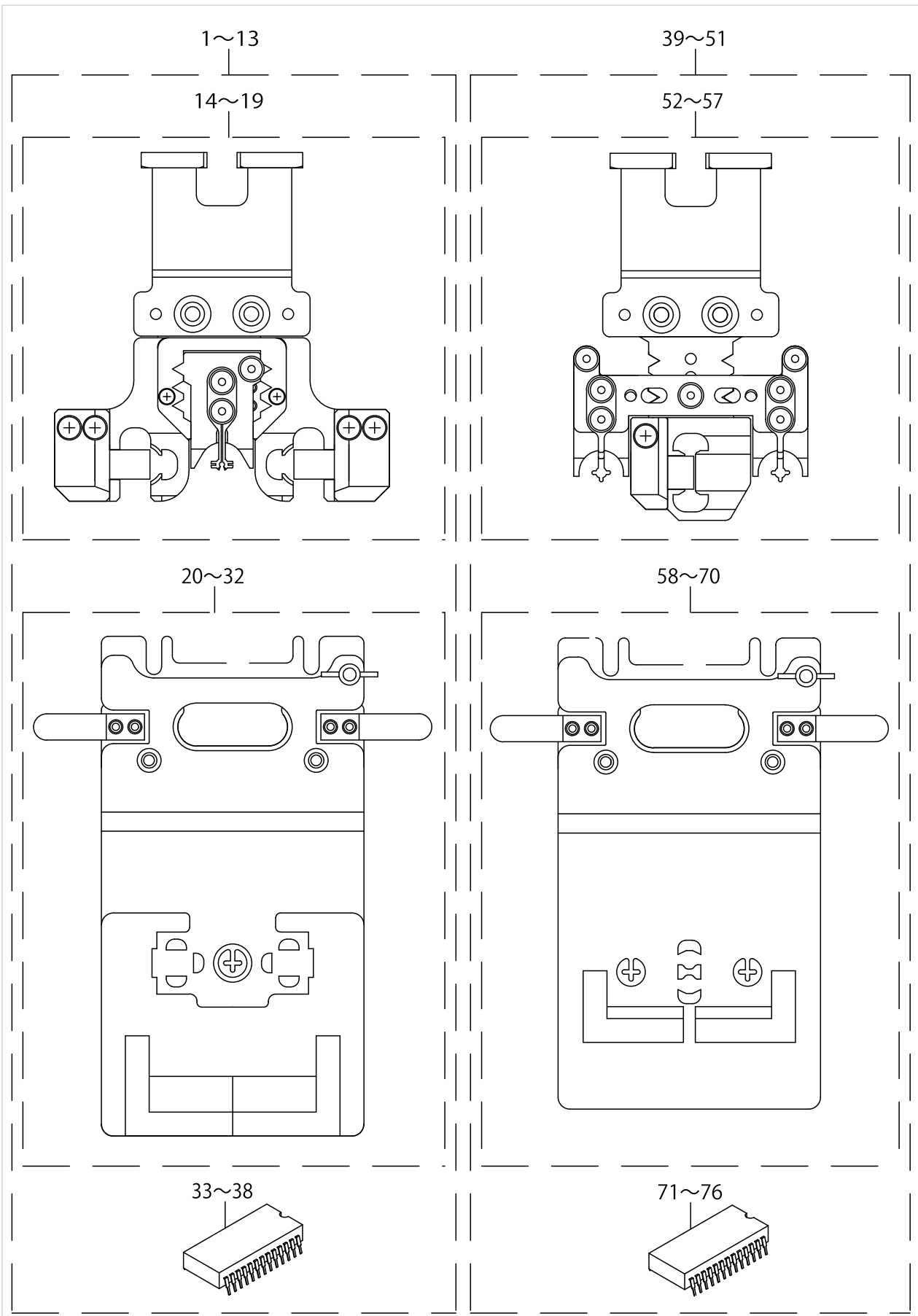
OPTION & ATTACHMENT COMPONENTS (1)



OPTION & ATTACHMENT COMPONENTS (1)

No.	Parts No.	Parts name	Remarks	Level	Cons	Qty
1	40006231	SEWING HOOKS ATTACHMENT ASM.				1
2	40006232	SEWING HOOKS ATTACHMENT ASM.				1
3	40006233	SEWING HOOKS ATTACHMENT ASM.				1
4	40006234	SEWING HOOKS ATTACHMENT ASM.				1
5	40006237	SEWING HOOKS ATTACHMENT ASM.				1
6	40006238	SEWING HOOKS ATTACHMENT ASM.				1
7	40006239	SEWING HOOKS ATTACHMENT ASM.				1
8	40006240	SEWING HOOKS ATTACHMENT ASM.				1
9	40006241	SEWING HOOKS ATTACHMENT ASM.				1
10	40006242	SEWING HOOKS ATTACHMENT ASM.				1
11	40006243	SEWING HOOKS ATTACHMENT ASM.				1
12	40006244	SEWING HOOKS ATTACHMENT ASM.				1
13	40006245	SEWING HOOKS ATTACHMENT ASM.				1
14	40004806	SEWING HOOKS ATTACHMENT ASM.		*		1
15	40004850	SEWING HOOKS ATTACHMENT ASM.		*		1
16	40005746	SEWING HOOKS ATTACHMENT ASM.		*		1
17	40005754	SEWING HOOKS ATTACHMENT ASM.		*		1
18	40005766	SEWING HOOKS ATTACHMENT ASM.		*		1
19	40005787	SEWING HOOKS ATTACHMENT ASM.		*		1
20	40005774	FEED PLATE ASM. 5MM M508 HOOKS		*		1
21	40005775	FEED PLATE ASM.10MM M508 HOOKS		*		1
22	40005776	FEED PLATE ASM. 5MM M608 HOOKS		*		1
23	40005777	FEED PLATE ASM.10MM M608 HOOKS		*		1
24	40005748	FEED PLATE ASM. M525 HOOKS		*		1
25	40005750	FEED PLATE ASM. 5MM M525 HOOKS		*		1
26	40005751	FEED PLATE ASM.10MM M525 HOOKS		*		1
27	40005757	FEED PLATE ASM. M528 670 HOOKS		*		1
28	40005760	FEED PLATE ASM. 5MM HOOKS		*		1
29	40005768	FEED PLATE ASM. M520 HOOKS		*		1
30	40005770	FEED PLATE ASM. 5MM M520 HOOKS		*		1
31	40005771	FEED PLATE ASM.10MM M520 HOOKS		*		1
32	40005794	FEED PLATE ASM. M533 HOOKS		*		1
33	HL011940004	MEMORY IC (M508)		*		1
34	HL011940003	MEMORY IC (M608)		*		1
35	HL011940009	EP-ROM (M525)		*		1
36	HL011940006	EP-ROM (M528)		*		1
37	HL011940008	EP-ROM (M520)		*		1
38	HL011940011	EP-ROM (M533)		*		1
39	40006235	SEWING EYES ATTACHMENT ASM.				1
40	40006236	SEWING EYES ATTACHMENT ASM.				1
41	40006246	SEWING EYES ATTACHMENT ASM.				1
42	40006247	SEWING EYES ATTACHMENT ASM.				1
43	40006248	SEWING EYES ATTACHMENT ASM.				1
44	40006249	SEWING EYES ATTACHMENT ASM.				1
45	40006250	SEWING EYES ATTACHMENT ASM.				1
46	40006251	SEWING EYES ATTACHMENT ASM.				1
47	40006252	SEWING EYES ATTACHMENT ASM.				1

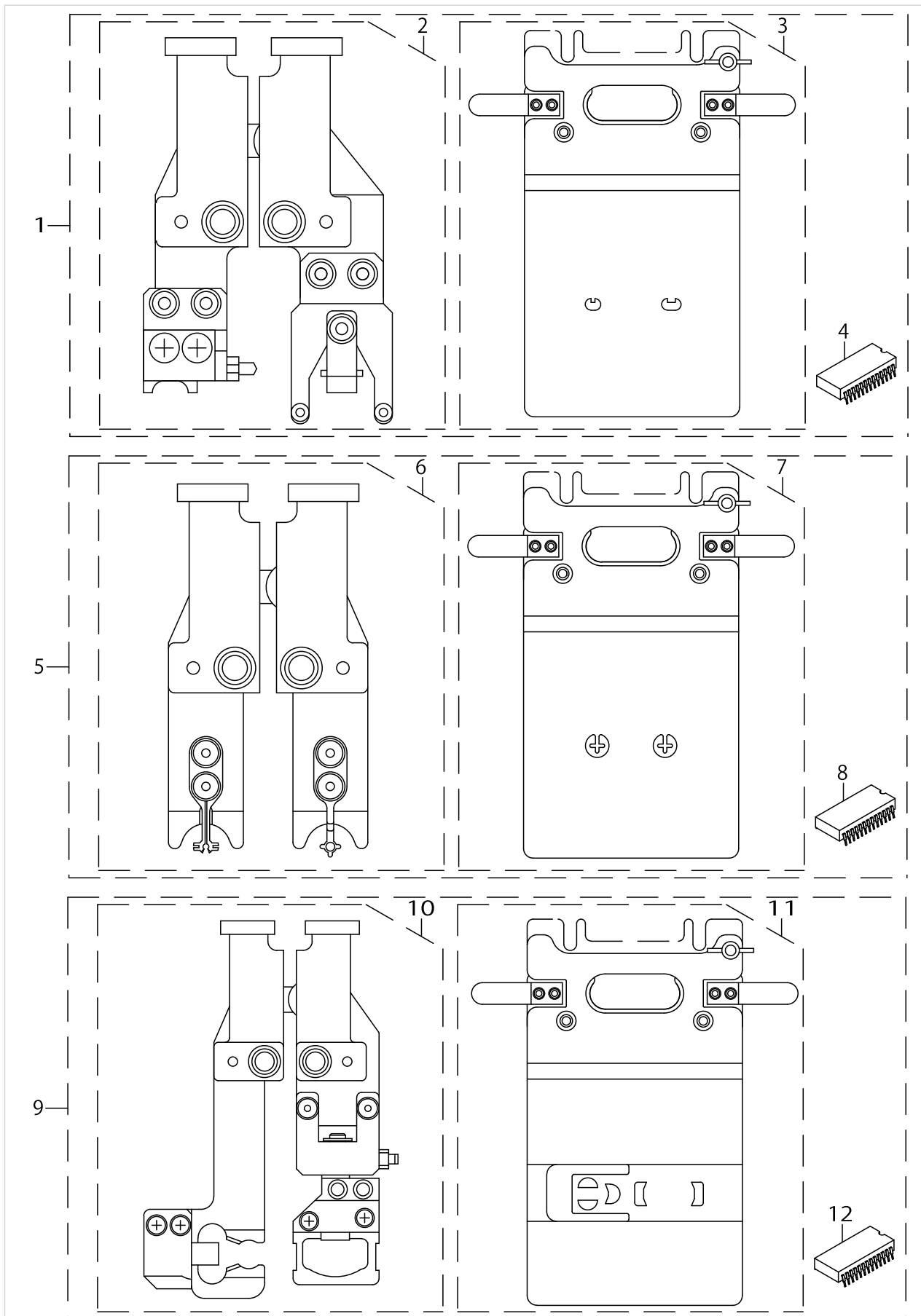
OPTION & ATTACHMENT COMPONENTS (1)



OPTION & ATTACHMENT COMPONENTS (1)

No.	Parts No.	Parts name	Remarks	Level	Cons	Qty
48	40006253	SEWING EYES ATTACHMENT ASM.				1
49	40006254	SEWING EYES ATTACHMENT ASM.				1
50	40006255	SEWING EYES ATTACHMENT ASM.				1
51	40006256	SEWING EYES ATTACHMENT ASM.				1
52	40004830	SEWING EYES ATTACHMENT ASM.		*		1
53	40005747	SEWING EYES ATTACHMENT ASM.		*		1
54	40005755	SEWING EYES ATTACHMENT ASM.		*		1
55	40005756	SEWING EYES ATTACHMENT ASM.		*		1
56	40005767	SEWING EYES ATTACHMENT ASM.		*		1
57	40005788	SEWING EYES ATTACHMENT ASM.		*		1
58	40005778	FEED PLATE ASM. 5MM EYES		*		1
59	40005779	FEED PLATE ASM. 10MM EYES		*		1
60	40005749	FEED PLATE ASM. M525 EYES		*		1
61	40005752	FEED PLATE ASM. 5MM M525 EYES		*		1
62	40005753	FEED PLATE ASM. 10MM M525 EYES		*		1
63	40005758	FEED PLATE ASM. M528 EYES		*		1
64	40005762	FEED PLATE ASM. 5MM M528 EYES		*		1
65	40005759	FEED PLATE ASM. M670 EYES		*		1
66	40005764	FEED PLATE ASM. 5MM M670 EYES		*		1
67	40005769	FEED PLATE ASM. M520 EYES		*		1
68	40005772	FEED PLATE ASM. 5MM M520 EYES		*		1
69	40005773	FEED PLATE ASM. 10MM M520 EYES		*		1
70	40005798	FEED PLATE ASM. M533 EYES		*		1
71	HL011940004	MEMORY IC (M508)		*		1
72	HL011940009	EP-ROM (M525)		*		1
73	HL011940006	EP-ROM (M528)		*		1
74	HL011940007	EP-ROM (M670)		*		1
75	HL011940008	EP-ROM (M520)		*		1
76	HL011940011	EP-ROM (M533)		*		1

OPTION & ATTACHMENT COMPONENTS (2)



OPTION & ATTACHMENT COMPONENTS (2)

No.	Parts No.	Parts name	Remarks	Level	Cons	Qty
1	40006258	SPRING HOOKS ATTACHMENT ASM				1
2	40005791	SPRING HOOKS ATTACHMENT ASM.		*		1
3	40005797	FEED PLATE ASM.(M10)		*		1
4	HL011940012	EP-ROM(M10)		*		1
5	40006259	SEWING SNAPS ATTACHMENT ASM.				1
6	40005793	SEWING SNAPS ATTACHMENT ASM.		*		1
7	40005799	FEED PLATE ASM.(SW-2)		*		1
8	HL011940005	MEMORY IC(SW-2)		*		1
9	40006257	SEWING HOOKS ATTACHMENT ASM.				1
10	40005789	SEWING HOOKS ATTACHMENT ASM.		*		1
11	40005796	FEED PLATE ASM.(M510)		*		1
12	HL011940010	EP-ROM(M510)		*		1

## HOW TO MAKE USE OF THIS PARTS LIST

1.As to "#01" and "#02" refer to the "Note" given at the bottom of the respective pages.

2.Codes on the "Qty" column

- Each numeral indicates the number of parts required.
- "0.1" and "2.5" indicate the length (in meters) of the respective parts.

3.Parentheses mean that the corresponding part is a subpart that constructs an assembly part.

4.Dotted lines on the Figures indicate assembly parts.

1. リストページの# 0 1、# 0 2の印は、ページ下の"注記"の説明を参照下さい。
2. 数量欄の数字は、個数を表し、0. 1、2. 5等の数値は、長さ（単位メートル）を表します。
3. 数量欄の（ ）は、組部品を構成している子部品であることを意味します。
4. イラストページの-----枠は、組構成であることを意味します。

Note : When there are parts not be listed in this parts list,  
Please refer to LK-1910/1920 PARTS LIST (No.1243)

注記 : このパーツリストに記載されていない部品については、  
LK-1910/1920 パーツリスト (No.1243) をご参照下さい。

# NUMERICAL INDEX OF PARTS

PART NO	PAGE	REF NO.	PART NO	PAGE	REF NO.	PART NO	PAGE	REF NO.
14217764	2	5	40004830	18	52~57	40005767	18	52~57
14217764	6	3	40004831	6	19	40005768	16	20~32
16137804	2	36	40004832	6	4	40005769	18	58~70
16137804	6	26	40004833	6	5	40005770	16	20~32
17007105	12	18	40004834	6	6	40005771	16	20~32
17007204	12	9	40004835	6	7	40005772	18	58~70
17007402	12	11	40004836	6	8	40005773	18	58~70
17007907	12	13	40004837	6	9	40005774	16	20~32
17008004	12	15	40004838	6	10	40005775	16	20~32
17008103	12	16	40004839	6	20~22	40005776	16	20~32
17848458	14	6	40004840	6	27	40005777	16	20~32
17848508	14	7	40004841	6	28	40005778	18	58~70
18077909	12	5	40004842	6	29	40005779	18	58~70
18078006	12	6	40004843	6	20~22	40005787	16	14~19
18078204	12	10	40004844	6	20~22	40005788	18	52~57
40004806	2	3·4	40004850	2	3·4	40005789	20	10
40004806	16	14~19	40004850	16	14~19	40005791	20	2
40004807	2	25·26	40004851	2	25·26	40005793	20	6
40004808	2	6·7	40004852	2	6·7	40005794	16	20~32
40004809	2	8	40004853	2	27~32	40005796	20	11
40004810	2	9	40004854	2	27~32	40005797	20	3
40004811	2	10	40004855	2	27~32	40005798	18	58~70
40004812	2	11	40004860	12	2	40005799	20	7
40004813	2	12	40004861	10	16	40006231	16	1~13
40004814	2	13	40005742	2	1·2	40006232	16	1~13
40004814	6	11	40005743	2	1·2	40006233	16	1~13
40004815	2	14	40005744	6	1	40006234	16	1~13
40004816	2	15	40005746	16	14~19	40006235	16	39~51
40004817	2	27~32	40005747	18	52~57	40006236	16	39~51
40004818	2	33	40005748	16	20~32	40006237	16	1~13
40004818	6	23	40005749	18	58~70	40006238	16	1~13
40004819	2	34	40005750	16	20~32	40006239	16	1~13
40004819	6	24	40005751	16	20~32	40006240	16	1~13
40004820	2	35	40005752	18	58~70	40006241	16	1~13
40004820	6	25	40005753	18	58~70	40006242	16	1~13
40004822	2	37	40005754	16	14~19	40006243	16	1~13
40004823	2	38	40005755	18	52~57	40006244	16	1~13
40004824	2	39	40005756	18	52~57	40006245	16	1~13
40004825	2	40	40005757	16	20~32	40006246	16	39~51
40004826	2	41	40005758	18	58~70	40006247	16	39~51
40004827	2	27~32	40005759	18	58~70	40006248	16	39~51
40004828	2	27~32	40005760	16	20~32	40006249	16	39~51
40004829	2	16	40005762	18	58~70	40006250	16	39~51
40004829	6	12	40005764	18	58~70	40006251	16	39~51
40004830	6	2	40005766	16	14~19	40006252	16	39~51



NUMERICAL INDEX OF PARTS

PART NO	PAGE	REF NO.	PART NO	PAGE	REF NO.	PART NO	PAGE	REF NO.
40006253	18	39~51	HL011940008	18	71~76	WP0450826SC	4	43
40006254	18	39~51	HL011940009	16	71~76	WP0450826SC	6	31
40006255	18	39~51	HL011940009	18	71~76	WP0561616SC	8	12
40006256	18	39~51	HL011940010	20	12	WP0641601SD	10	17
40006257	20	9	HL011940011	16	71~76	WS0210002KN	2	24
40006258	20	1	HL011940011	18	71~76	WS0310002KR	4	45
40006259	20	5	HL011940012	20	4	WS0310002KR	6	33
B1504280000	10	18	HP000200200	8	14	WS0861410KR	12	14
B2101220000	8	16	HP000600210	8	22			
B21012200A0	8	1	HW000590020	8	24			
B210220500A	8	5	HW500140000	10	5			
B2103220000	8	17	M8601592AB0	14	1			
B2104220000	8	2	M90605920A0	8	19			
B2106220000	8	3	MAI15040000	10	7			
B2107210000	8	4	MAT81126T00	10	6			
B81012050BA	12	3	MDP170B1400	12	1			
B81022050AA	12	4	MDP170B1402	14	5			
D1129205K0AA	10	3	NM6040003SC	8	13			
D2570205K0A	10	9	NM6120003SE	12	17			
D8307205K0A	12	7	SD0600352SP	8	8			
D8308205K0A	12	8	SD0640321SP	8	10			
D8310205KAA	10	1	SK3412001SE	14	8			
E8760452D00	10	11	SM1030601SC	2	22			
EA9500B0000	10	10	SM1030801SR	2	21			
EA9500B0100	8	25	SM1030801SR	6	17			
G6214345000	10	12	SM3030552TN	2	20			
HA002830000	10	4	SM3030552TN	6	15·18			
HK018800020	8	15	SM4020301SC	2	23			
HK018820020	8	23	SM4030601SN	10	8			
HK03461002B	8	20	SM4030801SN	10	13			
HK034640000	8	21	SM6030402TN	4	44			
HL011940003	4	46·47	SM6030402TN	6	32			
HL011940003	6	34·35	SM6040502TN	2	42			
HL011940003	14	3	SM6040502TN	6	30			
HL011940003	16	33~38	SM6040802TN	2	17			
HL011940004	4	46·47	SM6040802TN	6	13			
HL011940004	6	34·35	SM9082023SE	12	12			
HL011940004	14	2	SS6090630TP	8	6			
HL011940004	16	71~76	SS7110840SP	8	18			
HL011940004	18	71~76	SS7111120SP	8	7			
HL011940005	20	8	SS7151210SP	10	15			
HL011940006	16	71~76	SS9151210TP	14	4			
HL011940006	18	71~76	WP0320501SC	10	14			
HL011940007	18	71~76	WP0371016SD	8	11			
HL011940008	16	71~76	WP0450826SC	2	43			