

MODEL : AE-10/AE-15

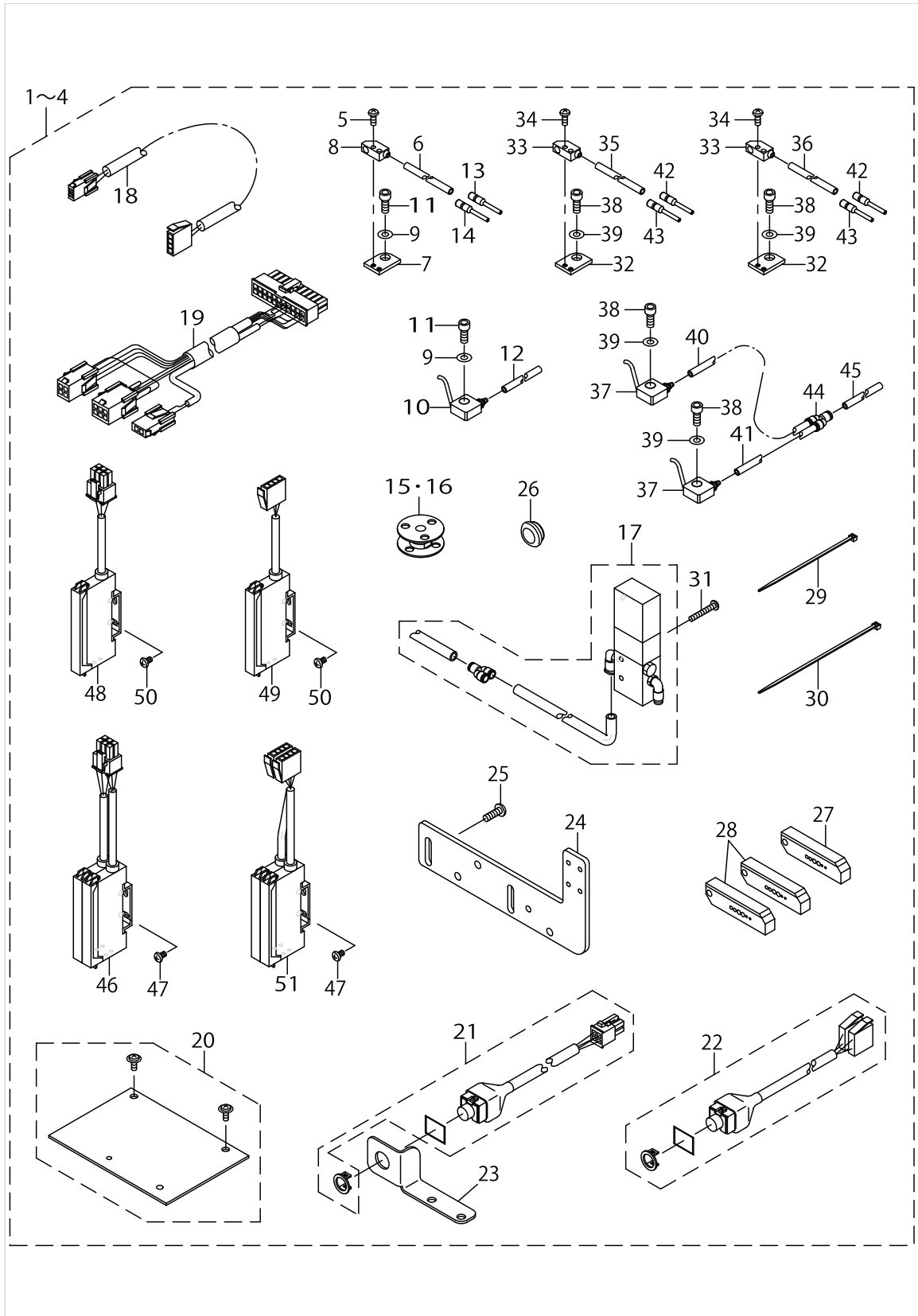
List No : 1334-04

PARTS LIST

Published:09/10/2017

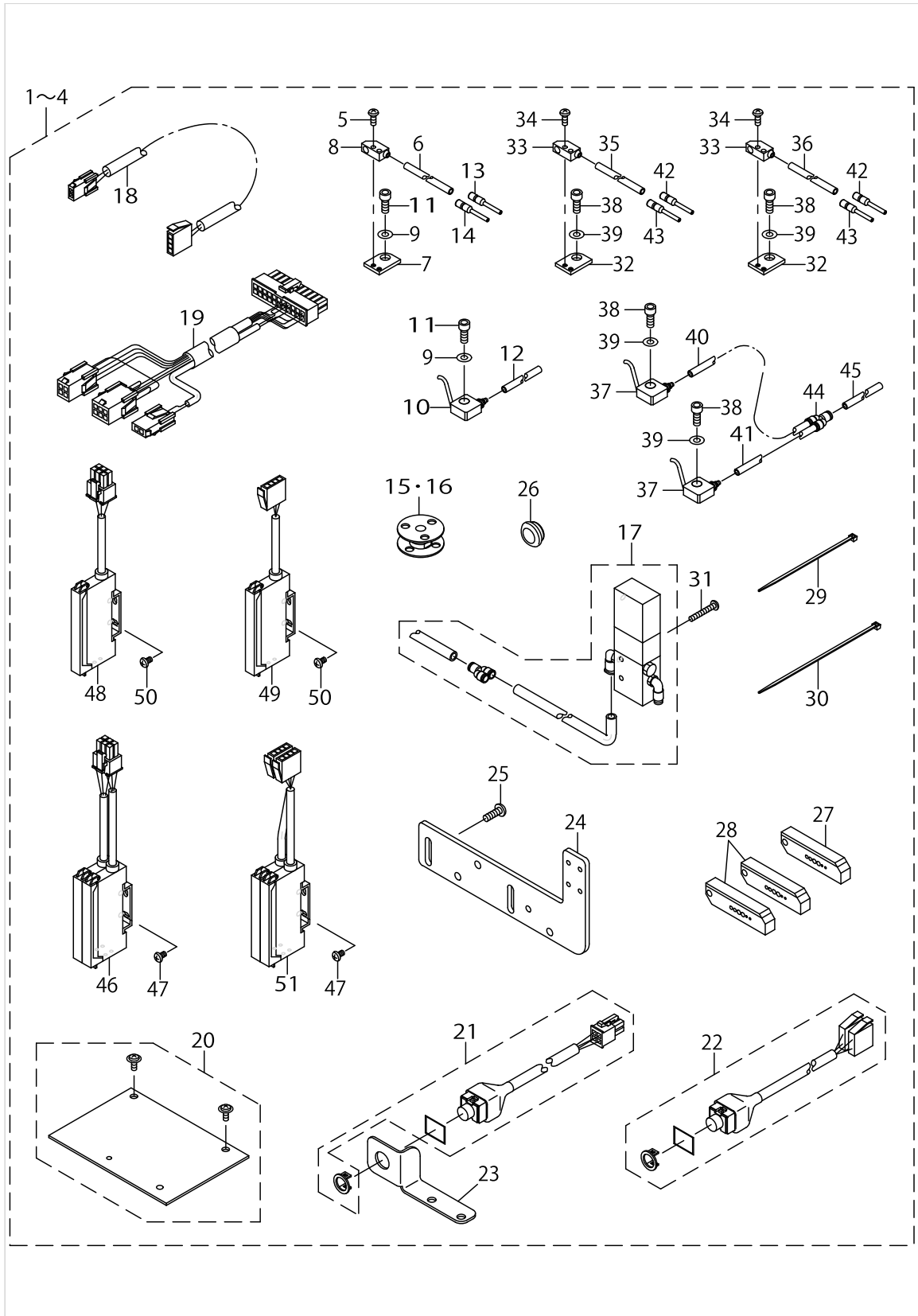
CONTENTS

AE-10/AE-15.....	1
HOW TO MAKE USE OF THIS PARTS LIST	5



AE-10/AE-15

No.	Parts No.	Parts name	Remarks	Level	Cons	Qty
1	40029101	DETECTING DEVICE KIT E	FOR AE-10 KIT E			1
2	40029102	DETECTING DEVICE KIT F	FOR AE-10 KIT F			1
3	40102727	DETECTING DEVICE KIT G	FOR AE-15 KIT G			1
4	40102728	DETECTING DEVICE KIT H	FOR AE-15 KIT H			1
5	SM4860801SC	SCREW M2.6 L=8	FOR AE-10 KIT E,AE-15 KIT G	*		2
6	BT0400251EB	URETHANE HOSE, BLACK	FOR AE-10 KIT E,AE-15 KIT G	*		1.7
7	GAE10005000	SENSOR BRACKET	FOR AE-10 KIT E,AE-15 KIT G	*		1
8	GAE10107000	FIBER SENSOR	FOR AE-10 KIT E,AE-15 KIT G	*		1
9	WP0430800SC	WASHER M4	FOR AE-10 KIT E,AE-15 KIT G	*		2
10	GAE100060A0	NOZZLE FITTING BASE ASM.	FOR AE-10 KIT E,AE-15 KIT G	*		1
11	SM6041002TP	SCREW M4 L=10	FOR AE-10 KIT E,AE-15 KIT G	*		2
12	BT0400251EB	URETHANE HOSE, BLACK	FOR AE-10 KIT E,AE-15 KIT G	*		1.7
13	GAE10117000	FIBER ADAPTER A	FOR AE-10 KIT E,AE-15 KIT G	*		1
14	GAE10118000	FIBER ADAPTER B	FOR AE-10 KIT E,AE-15 KIT G	*		1
15	40018386	ALUMINUM BOBBIN A	FOR AE-10 KIT E,AE-15 KIT G	*		2
16	40018386	ALUMINUM BOBBIN A	FOR AE-10 KIT F,AE-15 KIT H	*		4
17	40028572	SOLENOID VALVE ASM.		*		1
18	40028573	SOLENOID VALVE CORD ASM.	FOR AE-10 KIT E,F	*		1
19	GAE101020A0	CABLE ASM.	FOR AE-15 KIT G,H	*		1
20	40023801	SC-510 IPOP_PCB_A_ASSY	FOR AE-10 KIT E,F	*		1
21	40102073	DETECTING SWITCH ASM.	FOR AE-15 KIT G,H	*		1
22	40028570	DETECTING SWITCH C ASM.	FOR AE-10 KIT E,F	*		1
23	GAE10104000	SWITCH BRACKET		*		1
24	40024973	SENSOR AMPLIFIER BRACKET		*		1
25	SS4111215SP	SCREW 11/64-40 L=12		*		1
26	21391107	CORD BUSH		*		1
27	GAE10116000	F CUTTER	FOR AE-10 KIT E,AE-15 KIT G	*		1
28	GAE10116000	F CUTTER	FOR AE-10 KIT F,AE-15 KIT H	*		2
29	EA9500B0000	CABLE BAND		*		10
30	A407855000A	CLIP BAND		*		1
31	SM4032001SC	SCREW M3X0.5 L=20		*		2
32	GAE10005000	SENSOR BRACKET	FOR AE-10 KIT F,AE-15 KIT H	*		2
33	GAE10107000	FIBER SENSOR	FOR AE-10 KIT F,AE-15 KIT H	*		2
34	SM4860801SC	SCREW M2.6 L=8	FOR AE-10 KIT F,AE-15 KIT H	*		4
35	BT0400251EB	URETHANE HOSE, BLACK	FOR AE-10 KIT F,AE-15 KIT H	*		1.7
36	BT0400251EB	URETHANE HOSE, BLACK	FOR AE-10 KIT F,AE-15 KIT H	*		1.7
37	GAE100060A0	NOZZLE FITTING BASE ASM.	FOR AE-10 KIT F,AE-15 KIT H	*		2
38	SM6041002TP	SCREW M4 L=10	FOR AE-10 KIT F,AE-15 KIT H	*		4
39	WP0430800SC	WASHER M4	FOR AE-10 KIT F,AE-15 KIT H	*		4
40	BT0400251EB	URETHANE HOSE, BLACK	FOR AE-10 KIT F,AE-15 KIT H	*		0.5
41	BT0400251EB	URETHANE HOSE, BLACK	FOR AE-10 KIT F,AE-15 KIT H	*		0.5
42	GAE10117000	FIBER ADAPTER A	FOR AE-10 KIT F,AE-15 KIT H	*		2
43	GAE10118000	FIBER ADAPTER B	FOR AE-10 KIT F,AE-15 KIT H	*		2
44	PJ308040002	QUICK COUPLING	FOR AE-10 KIT F,AE-15 KIT H	*		1
45	BT0400251EB	URETHANE HOSE, BLACK	FOR AE-10 KIT F,AE-15 KIT H	*		1.7
46	40102072	SENSOR AMPLIFIER B ASM.	FOR AE-15 KIT H	*		1
47	SM4030501SC	SCREW M3X0.5 L=5	FOR AE-10 KIT F,AE-15 KIT H	*		4



AE-10/AE-15

No.	Parts No.	Parts name	Remarks	Level	Cons	Qty
48	40102071	SENSOR AMPLIFIER A ASM.	FOR AE-15 KIT G	*		1
49	40028571	SENSOR AMPLIFIER E ASM.	FOR AE-10 KIT E	*		1
50	SM4030501SC	SCREW M3X0.5 L=5	FOR AE-10 KIT E,AE-15 KIT G	*		2
51	40028571	SENSOR AMPLIFIER E ASM.	FOR AE-10 KIT F	*		2

HOW TO MAKE USE OF THIS PARTS LIST

1.As to "#01" and "#02" refer to the "Note" given at the bottom of the respective pages.

2.Codes on the "Qty" column

- Each numeral indicates the number of parts required.
- "0.1" and "2.5" indicate the length (in meters) of the respective parts.

3.Parentheses mean that the corresponding part is a subpart that constructs an assembly part.

4.Dotted lines on the Figures indicate assembly parts.

1. リストページの# 0 1、# 0 2の印は、ページ下の"注記"の説明を参照下さい。
2. 数量欄の数字は、個数を表し、0. 1、2. 5等の数値は、長さ（単位メートル）を表します。
3. 数量欄の（ ）は、組部品を構成している子部品であることを意味します。
4. イラストページの-----枠は、組構成であることを意味します。

NUMERICAL INDEX OF PARTS

PART NO	PAGE	REF NO.
21391107	2	26
40018386	2	15·16
40023801	2	20
40024973	2	24
40028570	2	22
40028571	4	51
40028572	2	17
40028573	2	18
40029101	2	1~4
40029102	2	1~4
40102071	4	48
40102072	2	46
40102073	2	21
40102727	2	1~4
40102728	2	1~4
A407855000A	2	30
BT0400251EB	2	45
EA9500B0000	2	29
GAE10005000	2	32
GAE100060A0	2	37
GAE101020A0	2	19
GAE10104000	2	23
GAE10107000	2	33
GAE10116000	2	28
GAE10117000	2	42
GAE10118000	2	43
PJ308040002	2	44
SM4030501SC	2	50
SM4030501SC	4	50
SM4032001SC	2	31
SM4860801SC	2	34
SM6041002TP	2	38
SS4111215SP	2	25
WP0430800SC	2	39