

MODEL : LU-1520N-7/LU-1521N-7

List No : 1333-10

# PARTS LIST

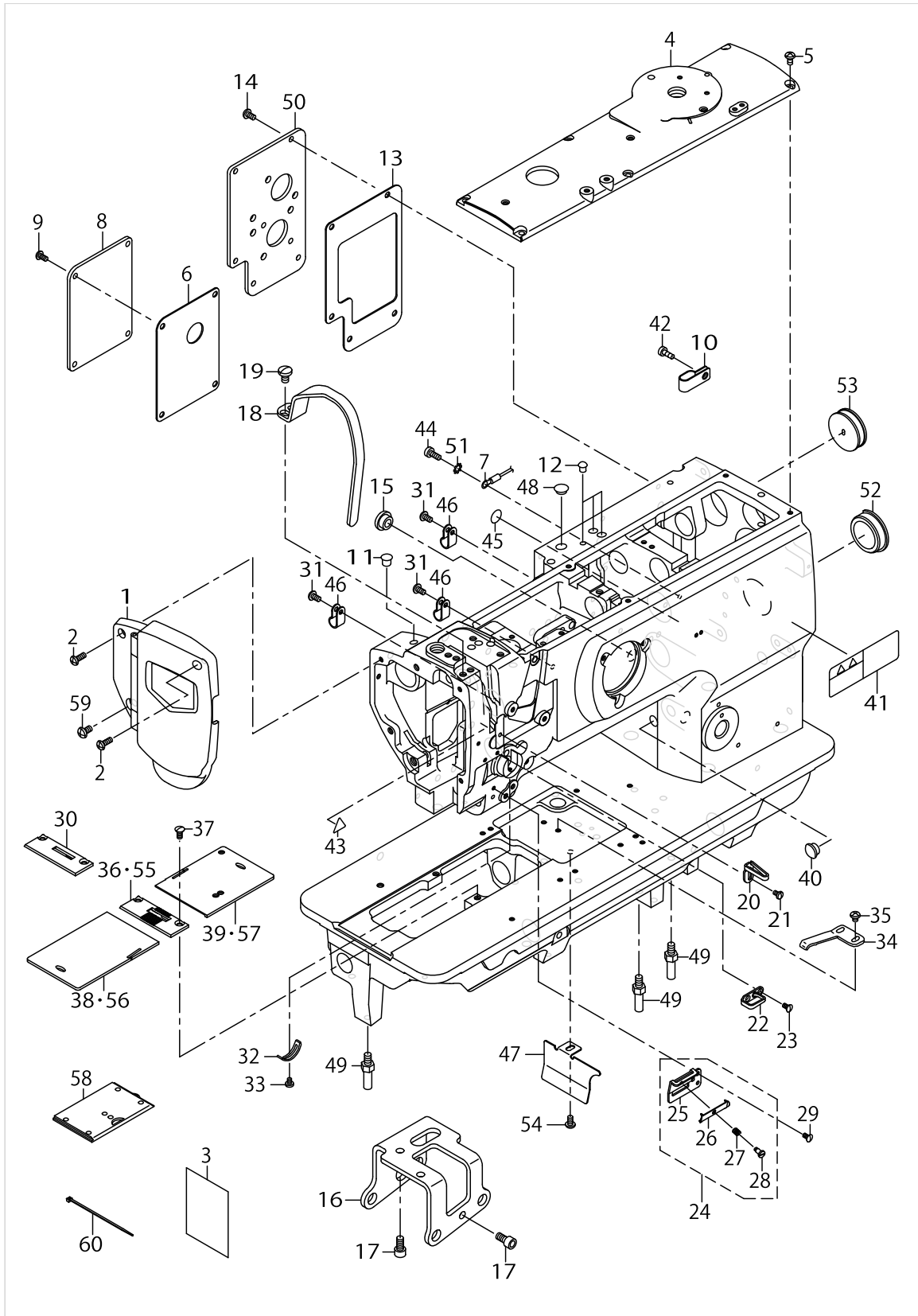
Published:11/30/2017

## CONTENTS

---

FRAME & MISCELLANEOUS COVER COMPONENTS .....	1
UPPER SHAFT,LOWER SHAFT DRIVING & BALANCE COMPONENTS .....	5
NEEDLE BAR ROCKING COMPONENTS .....	9
PRESSURE ADJUSTING & UPPER FEED MECHANISM COMPONENTS .....	11
FEED MECHANISM COMPONENTS.....	17
HOOK SHAFT & LOWER SHAFT COMPONENTS .....	21
THREAD CUTTING COMPONENTS.....	25
AUTOMATIC BACK & CONDENSATION DEVICE COMPONENTS .....	29
THREAD TENSION COMPONENTS .....	31
THREAD RELEASE COMPONENTS.....	33
THREAD RACK & THREAD PRESSER COMPONENTS .....	35
LOWER THREAD WINDER MECHANISM COMPONENTS .....	37
AUTOMATIC PRESSER LIFTING MECHANISM COMPONENTS .....	39
AIR MECHANISM A COMPONENTS .....	41
AIR MECHANISM B (OPTION) COMPONENTS .....	43
LUBRICATION COMPONENTS .....	45
BELT COVER & OIL RESERVOIR COMPONENTS.....	49
GAUGE COMPONENTS.....	51
DL MECHANISM (OPTION) COMPONENTS .....	53
THREAD STAND COMPONENTS.....	55
OPTIONAL PARTS (ADDITIONAL SPRING FOR PRESSER BAR) COMPONENTS .....	57
SUSPENSION SQUARE (OPTION) COMPONENTS.....	59
ACCESSORIES PARTS COMPONENTS .....	61
OPTIONAL PARTS (1)(FOR LU-1520N-7) .....	63
OPTIONAL PARTS (2)(FOR LU-1520N-7) .....	65
OPTIONAL PARTS (3)(FOR LU-1521N-7) .....	67
OPTIONAL PARTS (4)(FOR LU-1521N-7) .....	69
LIST FOR INFORMATION OF CHANGE.....	71
HOW TO MAKE USE OF THIS PARTS LIST .....	72

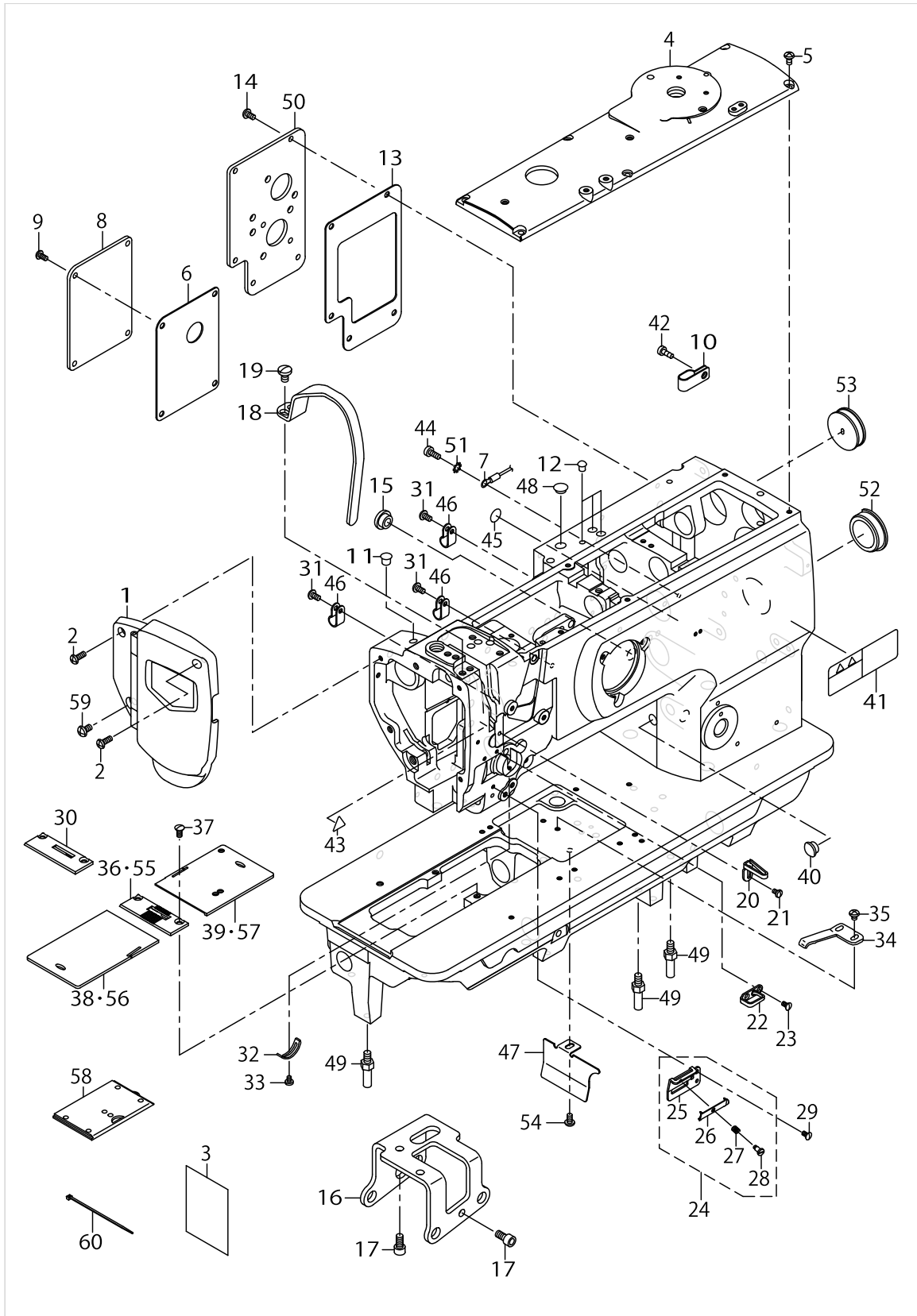
FRAME & MISCELLANEOUS COVER COMPONENTS



FRAME & MISCELLANEOUS COVER COMPONENTS

No.	Parts No.	Parts name	Remarks	Level	Cons	Qty
1	40016798	FACE PLATE ASM.				1
2	SS4111215SP	SCREW 11/64-40 L=12				2
3	40152631	LUBRICATION SUPPLEMENT				1
4	21331301	TOP COVER B				1
5	SS4110815SP	SCREW 11/64-40 L=8				6
6	21437306	WINDOW PLATE E PACKING				1
7	22951552	GROUND WIRE ASM.				1
8	21437108	WINDOW PLATE E				1
9	SS4110815SP	SCREW 11/64-40 L=8				4
10	D2112555B00	CORD HOLDER LARGE				1
11	TA0750704R0	RUBBER PLUG				2
12	TA0550604R0	RUBBER PLUG				3
13	21332002	WINDOW PLATE PACKING B				1
14	SS4110815SP	SCREW 11/64-40 L=8				5
15	10732204	CORD BUSH				1
16	21343207	KNEE LIFTER SHAFT BASIS				1
17	SM6061202TP	SCREW M6 L=12				2
18	21393004	BALANCE COVER				1
19	SS7150940SP	SCREW 15/64-28 L=9				2
20	21355805	THREAD GUIDE				1
21	SS5090610SP	SCREW 9/64-40 L=6				1
22	B1129051000	FRAME THREAD GUIDE UPPER				1
23	SS2090710TP	SCREW 9/64-40 L=7.2				2
24	21408554	THREAD GUIDE ASM.				1
25	21408505	THREAD GUIDE PLATE		*		1
26	17912106	NEEDLE THREAD PRESSER PLATE		*		1
27	B1132521000	THREAD PRESSER PLATE SPRING		*		1
28	SD0380551SL	HINGE SCREW D=3.80 H=5.5		*		1
29	SS2090710TP	SCREW 9/64-40 L=7.2				1
30	21399605	THROAT PLATE	OPTIONAL PARTS			1
31	SS4110815SP	SCREW 11/64-40 L=8				3
32	B3138512000	TAKE-UP SPRING ADJUSTING PLATE				1
33	SS7090520TP	SCREW 9/64-40 L=4.5				1
34	B1111563000	BED SLIDE SPRING				1
35	SS4110515SP	SCREW 11/64-40 L=5				2
36	21399506	THROAT PLATE				1
37	SS2110920TP	SCREW 11/64-40 L=8.5				2
38	21349600	SLIDING PLATE (LEFT)				1
39	21349808	THREAD CUTTING SLIDING PLATE				1
40	TA1050504R0	RUBBER PLUG				1
41	CM301300001	SAFETY LABEL				1
42	SS6111140SP	SCREW 11/64-40 L=11				1
43	CM300200001	ATTENTION SEAL				1
44	SS6111140SP	SCREW 11/64-40 L=11				1
45	22901805	GROUND MARK				1
46	HX00123000A	CABLE CLIP				3
47	22877609	DUST COVER				1

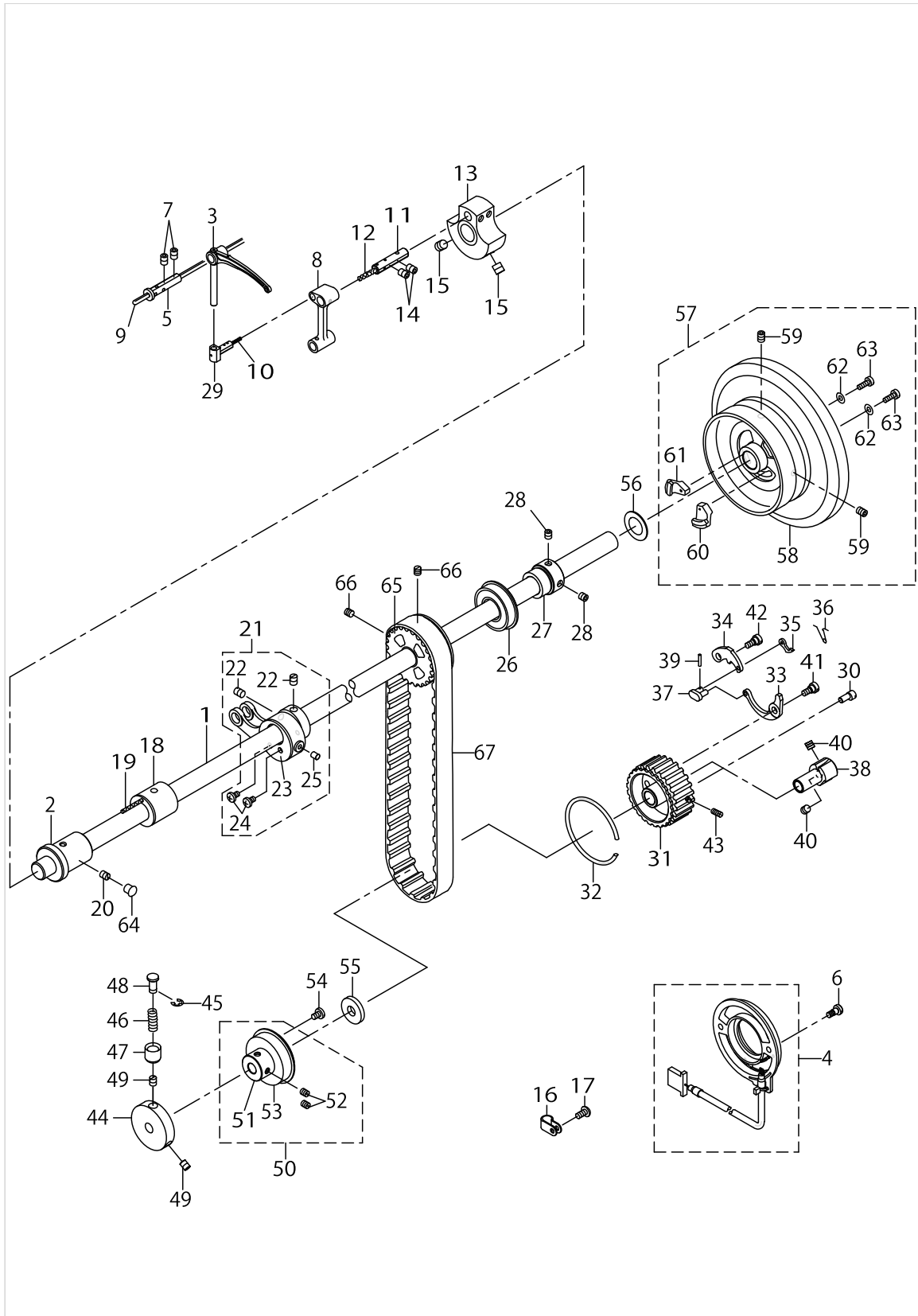
FRAME & MISCELLANEOUS COVER COMPONENTS



FRAME & MISCELLANEOUS COVER COMPONENTS

No.	Parts No.	Parts name	Remarks	Level	Cons	Qty
48	TA1250504R0	RUBBER PLUG				1
49	22602601	BED SCREW STUD				3
50	21392907	WINDOW PLATE G				1
51	WT0530002KS	TOOTHED WASHER D=5.3				1
52	22619100	CAP				1
53	10201200	RUBBER PLUG				1
54	SS4110815SP	SCREW 11/64-40 L=8				1
55	21455605	THROAT PLATE	FOR LU-1521N-7			1
56	10701902	SLIDE PLATE LEFT	FOR LU-1521N-7			1
57	10753150	SLIDER PLATE ASM. RIGHT	FOR LU-1521N-7			1
58	10701654	SLIDE PLATE ASM.	FOR LU-1521N-7			1
59	SS4150915SP	SCREW 15/64-28 L=9				1
60	EA9500B0100	CABLE BAND				2

UPPER SHAFT, LOWER SHAFT DRIVING & BALANCE COMPONENTS

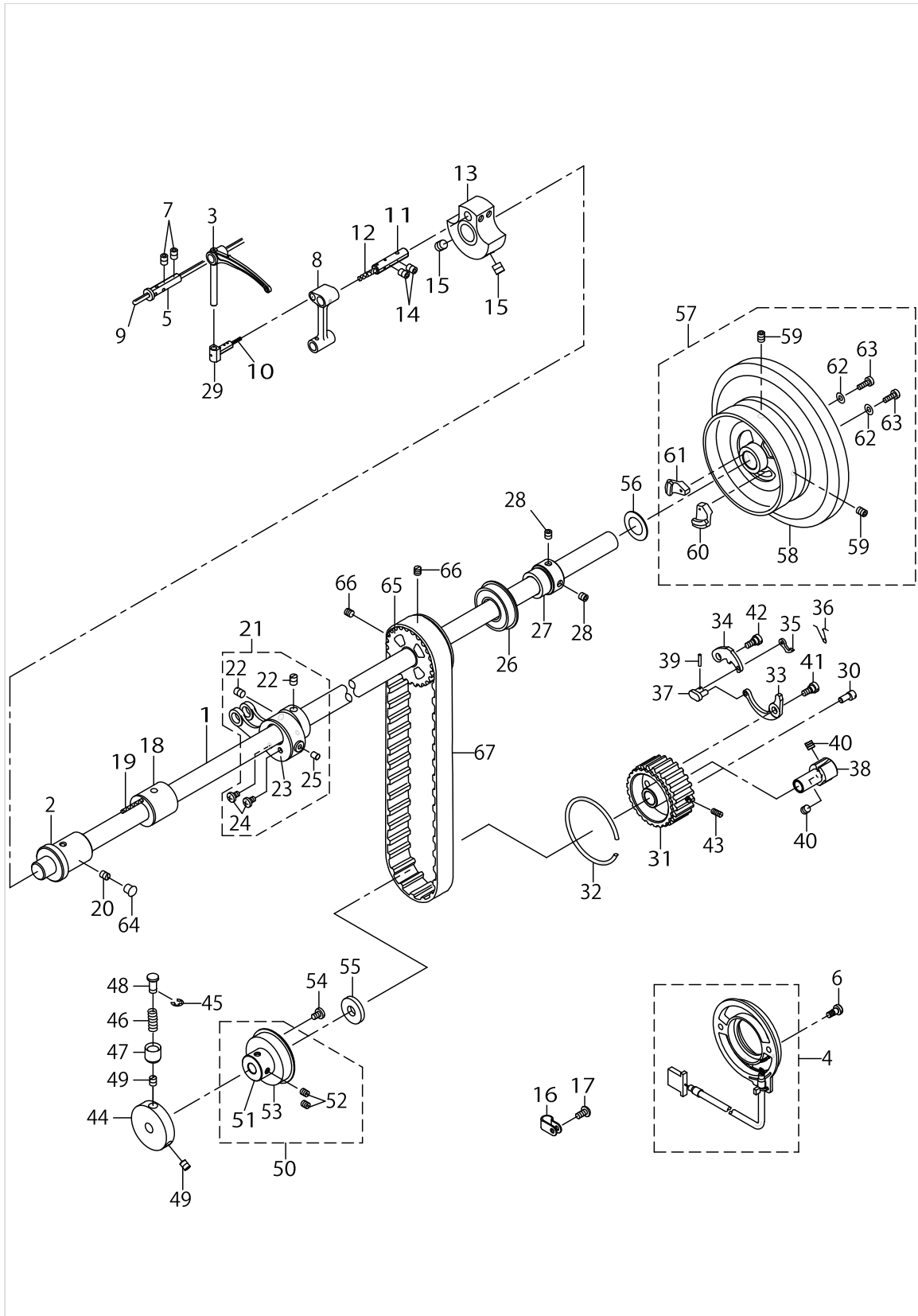


UPPER SHAFT,LOWER SHAFT DRIVING & BALANCE COMPONENTS

No.	Parts No.	Parts name	Remarks	Level	Cons	Qty
1	21332705	UPPER SHAFT				1
2	21333000	UPPER SHAFT FRONT METAL				1
3	21333208	BALANCE				1
4	40024855	CONTAIN SYNCHRO ASM.				1
5	B1906051000	TAKE-UP LEVER PIN				1
6	10604809	SCREW				2
7	SS8150822TP	SCREW 15/64-28 L=8				2
8	21339106	NEEDLE BAR CRANK ROD				1
9	CQ303000000	OIL WICK				0.45
10	CQ202000000	OIL WICK				0.03
11	B1210051000	NEEDLE BAR CRANK PIN				1
12	CQ505000000	OIL WICK				0.03
13	21332507	COUNTER WEIGHT(A)(36MM)				1
14	SS8150822TP	SCREW 15/64-28 L=8				2
15	SM8080812TP	SCREW M8X8				2
16	HX00123000A	CABLE CLIP				1
17	SS4110815SP	SCREW 11/64-40 L=8				1
18	21333109	UPPER SHAFT INNER METAL				1
19	CQ202000000	OIL WICK				0.15
20	SS8150710TP	SCREW 15/64-28 L=7				1
21	40197296	HORIZONTAL_FEED_ROD_ASM				1
22	SS8660810TP	SCREW 1/4-40 L=8		*		2
23	21353008	HORIZONTAL FEED CAM COVER		*		1
24	SS7110710SP	SCREW 11/64-40 L=7		*		2
25	21387402	FELT		*		1
26	40143083	BEARING				1
27	21402300	UPPER SHAFT BEARING HOOK				1
28	SM8060602TP	SCREW M6X6				2
29	21333307	BALANCE SLIDE SHAFT				1
30	21387907	ADJUSTING PIN (1.2)				1
31	21387501	LOWER SPROCKET				1
32	B1214019000	SPROCKET RING				1
33	21387709	SAFETY CLUTCH SPRING				1
34	21387600	SAFETY CLUTCH HOOK				1
35	B1308055000	SAFETY CLUTCH COUNTER-HOOK				1
36	40113224	COUNTER HOOK SPRING				1
37	B1310055000	SAFETY CLUTCH SMALL LINK				1
38	21387808	SAFETY CLUTCH HOLDER				1
39	B1314055000	SAFETY CLUTCH SMALL LINK PIN				1
40	SS8660612TP	SCREW 1/4-40 L=6				2
41	SD0640322TP	HINGE SCREW D=6.35 H=3.2				1
42	SD0640322TP	HINGE SCREW D=6.35 H=3.2				1
43	SS8111010TP	SCREW 11/64-40 L=9.5				1
44	21333901	SAFETY CLUTCH DISC				1
45	RE0500000K0	E-RING				1
46	B1639051000	SPRING				1
47	B1313055000	SAFETY CLUTCH KNOB SLEEVE				1



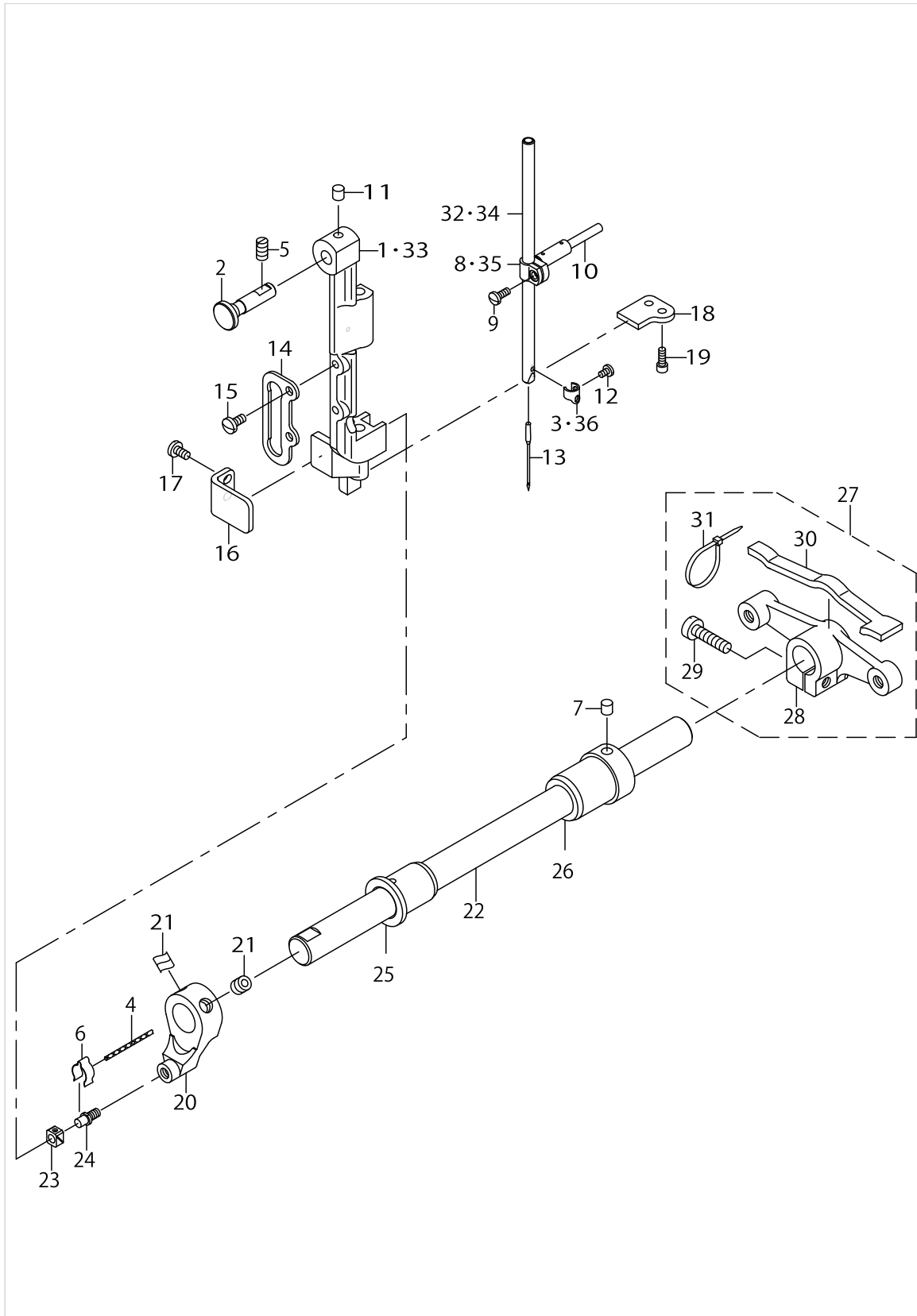
UPPER SHAFT, LOWER SHAFT DRIVING & BALANCE COMPONENTS



UPPER SHAFT,LOWER SHAFT DRIVING & BALANCE COMPONENTS

No.	Parts No.	Parts name	Remarks	Level	Cons	Qty
48	40104367	SAFETY CLUTCH PUSH BUTTON				1
49	SS8660530TP	SCREW 1/4-40 L=4.5				2
50	40038700	THRUST COLLAR ASM.				1
51	40038702	THRUST COLLAR		*		1
52	SS8661030SP	SCREW 1/4-40 L=10		*		2
53	SB120000200	BEARING 20X42		*		1
54	SS7120760SP	SCREW 3/16-28 L=7.0				2
55	40016148	THRUST COLLAR B WASHER				1
56	22606206	SPACER Y				1
57	21393152	FLYWHEEL ASM.				1
58	21393103	FLYWHEEL		*		1
59	SS8150822TP	SCREW 15/64-28 L=8		*		2
60	M40071100AA	MAGNET FITTING BASE A ASM.		*		1
61	M40071100AB	MAGNET FITTING BASE B ASM.		*		1
62	WP0450801SD	WASHER 4.5X10X0.8		*		2
63	SS6111210SP	SCREW 11/64-40 L=12		*		2
64	TA0750704R0	RUBBER PLUG				1
65	40038692	UPPER SPROCKET				1
66	SS8660610TP	SCREW 1/4-40 L=6				2
67	22604300	TIMING BELT				1

# NEEDLE BAR ROCKING COMPONENTS



NEEDLE BAR ROCKING COMPONENTS

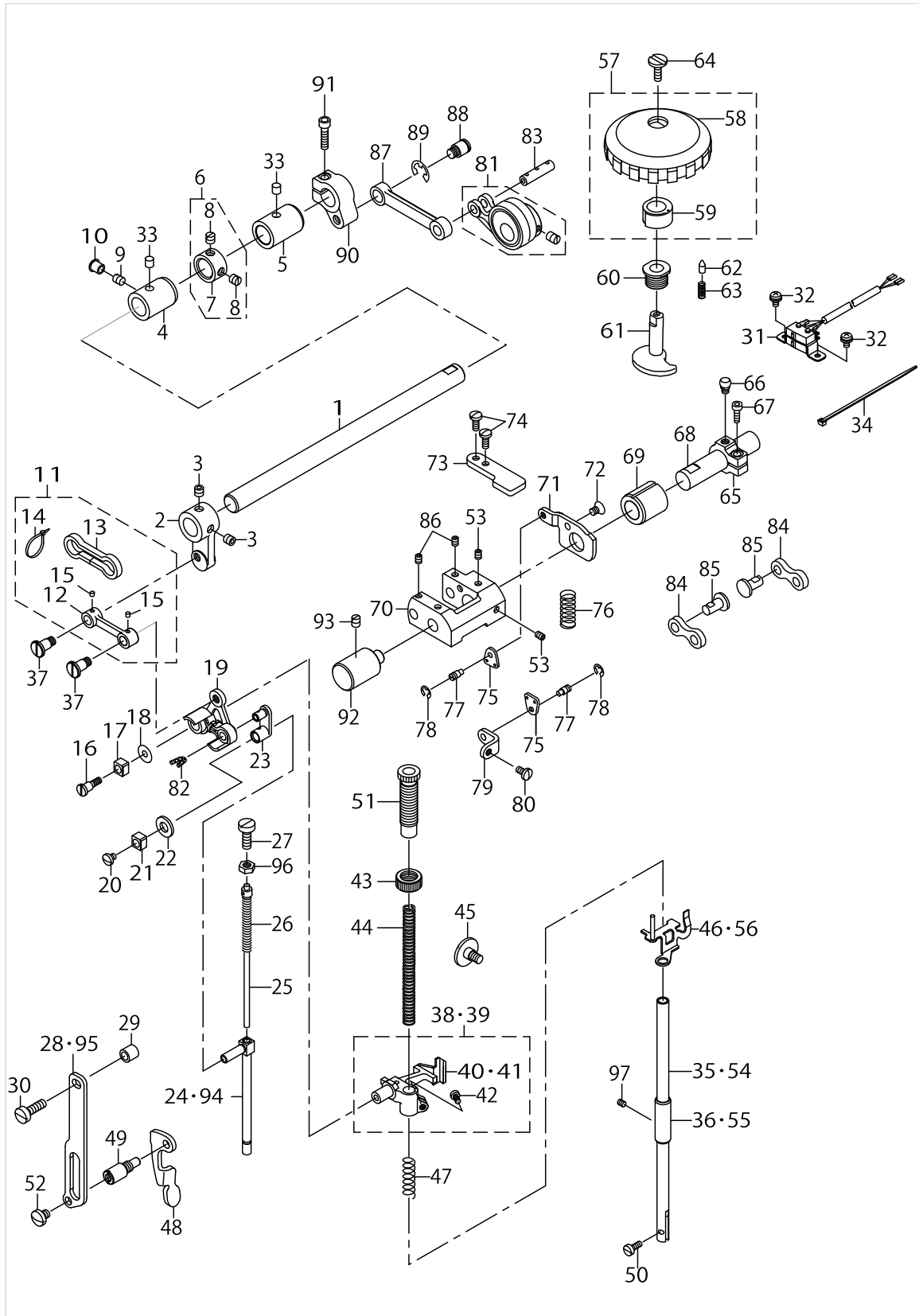
No.	Parts No.	Parts name	Remarks	Level	Cons	Qty
1	B1420563000	NEEDLE BAR FRAME				1
2	21405204	HINGE STUD				1
3	21338504	NEEDLE BAR THREAD RACK				1
4	CQ202000000	OIL WICK				0.05
5	SS8151150TP	SCREW 15/64-28 L=10.5				1
6	B1437051000	OIL WICK RETAINER				1
7	22814909	FELT				1
8	B1411053000	NEEDLE BAR CONNECTION				1
9	SS7090910SP	SCREW 9/64-40 L=8.5				1
10	B1412051000	FELT				1
11	22814909	FELT				1
12	SS7080510TP	SCREW 1/8-44 L=4.5				1
13	M13517B1600	NEEDLE 135X17 #160				1
14	B1467563000	UPPER FEED BAR GUIDE				1
15	SS7110910TP	SCREW 11/64-40 L=8.5				2
16	21388400	ROCKING BASE GUIDE				1
17	SS7110830SP	SCREW 11/64-40 L=7.5				2
18	21338603	ROCKING BASE GUIDE (B)				1
19	SS6091022TP	SCREW				2
20	21338801	ROCKING FRONT ARM				1
21	SM8080802TP	SCREW				2
22	21338900	ROCKING SHAFT				1
23	B1414232000	SQUARE BLOCK				1
24	B1410771000	STUD				1
25	21339304	ROCKING SHAFT FRONT METAL				1
26	40027746	BUSHING REAR				1
27	21339056	ROCKING REAR ARM ASM.				1
28	21339007	ROCKING REAR ARM		*		1
29	SS6152440SP	SCREW 15/64-28 L=23.5		*		1
30	21347406	ROCKING REAR ARM FELT		*		1
31	EA9500B0100	CABLE BAND		*		2
32	21338405	NEEDLE BAR THREAD RACK				1
33	23002009	NEEDLE BAR FRAME	FOR LU-1521N-7			1
34	B1401246000	NEEDLE BAR	FOR LU-1521N-7			1
35	B14110570A0	NEEDLE BAR CLAMP ASM.	FOR LU-1521N-7			1
36	B1418141H00	NEEDLE BAR THREAD GUIDE	FOR LU-1521N-7			1



PRESSURE ADJUSTING & UPPER FEED MECHANISM COMPONENTS

No.	Parts No.	Parts name	Remarks	Level	Cons	Qty
1	21340401	UPPER FEED SHAFT				1
2	21340500	UPPER FEED FRONT ARM				1
3	SS8660612TP	SCREW 1/4-40 L=6				2
4	40039326	FRONT METAL				1
5	21378302	FEED ROCK SHAFT METAL				1
6	22904155	MAIN SHAFT THRUST COLLAR ASM.				1
7	22904106	MAIN SHAFT THRUST COLLAR		*		1
8	SS8660610TP	SCREW 1/4-40 L=6		*		2
9	SS8150710TP	SCREW 15/64-28 L=7				1
10	TA0750704R0	RUBBER PLUG				1
11	40033027	UPPER FEED LINK ASM.				1
12	40033026	UPPER FEED LINK		*		1
13	21347109	FELT		*		1
14	EA9500B0000	CLIP CV-70S		*		2
15	CQ3000000F0	OIL FELT		*		0.0028
16	40018339	SCREW				1
17	B1414555000	SLIDE BLOCK				1
18	WP0501046SC	WASHER 5X13X1				1
19	40033029	TRIANGULAR LEVER ASM.				1
20	SS7110510SP	SCREW 11/64-40 L=5				1
21	B1414555000	SLIDE BLOCK				1
22	10509701	FELT				1
23	40018341	WALKING BAR DRIVING LINK				1
24	40033030	WALKING BAR A				1
25	B14670530A0	WALKING BAR ASM.				1
26	B1468053000	WALKING BAR SPRING				1
27	SS6151780SP	SCREW 15/64-28 L=17.0				1
28	21406509	UPPER FEED GUIDE PLATE				1
29	26225201	ROLLER				1
30	SS6151920SP	SCREW 15/64-28 L=19.0				1
31	40024852	VERTICAL DETECTOR SWITCH ASM.				1
32	SL4040881SC	SCREW M4 L=8				2
33	22814909	FELT				2
34	EA9500B0100	CABLE BAND				1
35	B1501241H00	PRESSER BAR				1
36	B1510155000	PRESSER BAR LOWER BUSHING				1
37	40018340	SCREW				2
38	40033032	PRESSER BAR HOLDER A ASM.				1
39	40033035	PRESSER BAR HOLDER B ASM.	FOR LU-1521N-7			1
40	40033031	PRESSER BAR HOLDER A		*		1
41	40033034	PRESSER BAR HOLDER B	FOR LU-1521N-7	*		1
42	SS7110910TP	SCREW 11/64-40 L=8.5		*		1
43	22907604	PRESSER SPRING REGULATOR NUT				1
44	B1502246000	PRESSER SPRING				1
45	SD0800481SP	HINGE SCREW D=8 H=4.9				1
46	21341151	THREAD RELEASE HOLDING PLATE				1
47	B1462053000	THREAD RELEASE SPRING				1

PRESSURE ADJUSTING & UPPER FEED MECHANISM COMPONENTS

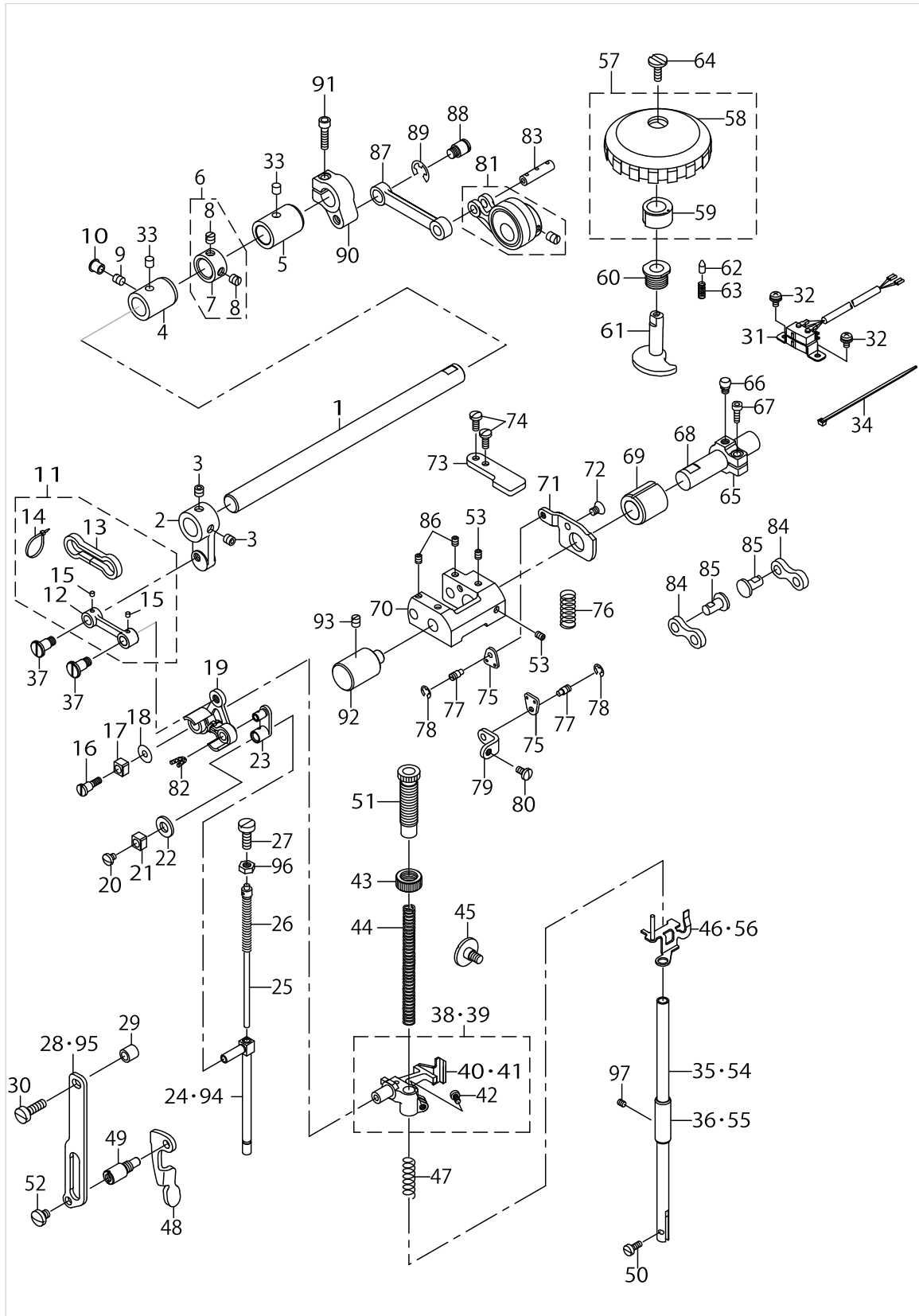


PRESSURE ADJUSTING & UPPER FEED MECHANISM COMPONENTS

No.	Parts No.	Parts name	Remarks	Level	Cons	Qty
48	21406103	PRESSER LIFTER LEVER				1
49	21406608	GUIDE PLATE SPACER				1
50	SS6090910TP	SCREW 9/64-40 L=9				1
51	21340906	PRESSER ADJUSTING SCREW				1
52	SS7150740SP	SCREW 15/64-28 L=7				1
53	SM8050602TP	SCREW M5 L=6				2
54	21451505	PRESSER BAR	FOR LU-1521N-7			1
55	22907109	PRESSER BAR BUSHING LOWER	FOR LU-1521N-7			1
56	21451752	HOLDING PLATE COMPL.	FOR LU-1521N-7			1
57	10774354	UPPER AND LOWER DIAL ASM.				1
58	10774305	VERTICAL DIAL		*		1
59	10774404	VERTICAL CAM		*		1
60	10715100	VERTICAL DIAL SHAFT BUSHING				1
61	10715001	VERTICAL ADJUSTING CAM				1
62	10715704	VERTICAL DIAL PIN				1
63	B152652700G	SPRING				1
64	SS6110630TP	SCREW 11/64-40 L=6				1
65	21341607	VERTICAL ADJUSTING ARM				1
66	10715308	PIN				1
67	SM6051402TP	SCREW M5X0.8 L=14				1
68	21341508	VERTICAL CHANGE BASE SHAFT				1
69	10718203	FEED SHAFT FRONT METAL				1
70	10714202	VERTICAL CHANGE BELT				1
71	21339601	UPPER FEED STOPPER PLATE (A)				1
72	SM1050801SR	SCREW M5 L=8				1
73	21339700	UPPER FEED STOPPER PLATE (B)				1
74	SS7111120TP	SCREW				2
75	10713501	SPRING HOOK				2
76	10716504	VERTICAL SHAFT SPRING				1
77	B3416552000	CONNECTING ROD HINGE SCREW				2
78	RE0500000K0	E-RING				2
79	21339809	UPPER FEED DOG SPRING HOOK				1
80	SS7110830SP	SCREW 11/64-40 L=7.5				1
81	40075553	ECCENTRIC ROD(SET)				1
82	CQ252000000	OIL WICK				0.02
83	10713808	CONNECTION LINK PIN B				1
84	10714509	CONNECTION LINK B				2
85	10714608	CONNECTION LINK B SUPPORT PIN				2
86	SM8050602TP	SCREW M5 L=6				2
87	21340005	UPPER FEED LINK (B)				1
88	21048707	HINGE SCREW				1
89	RE0800000K0	E-SHAPED SNAP RING (8MM)				1
90	21340302	UPPER FEED REAR ARM (B)				1
91	SM6052002TP	SCREW M5 L=20				1
92	21337803	FEED ADJUSTING BASE SUPPORT				1
93	SS8150710SP	SCREW 15/64-28 L=7				1
94	23007107	WALKING BAR	FOR LU-1521N-7			1



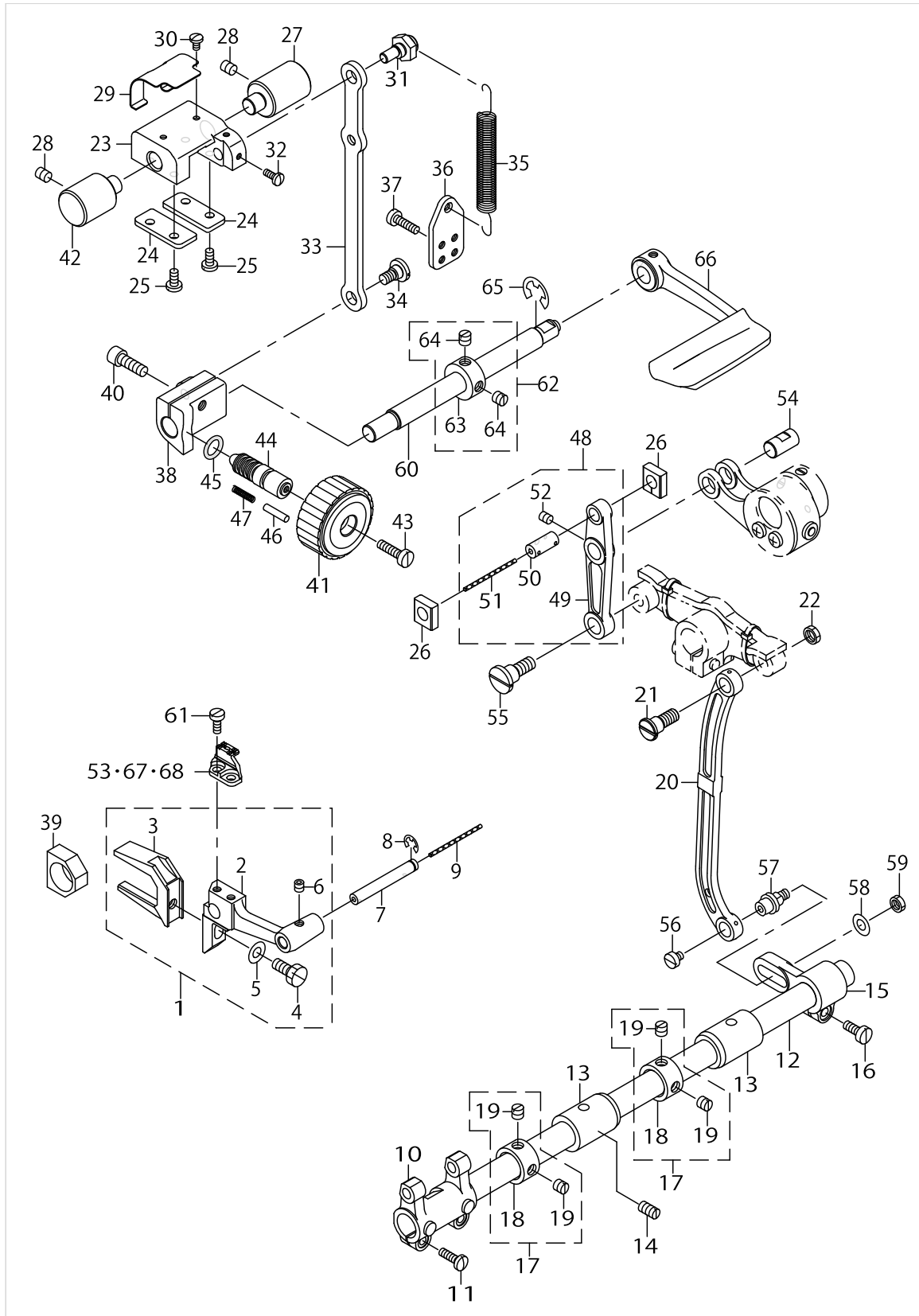
PRESSURE ADJUSTING & UPPER FEED MECHANISM COMPONENTS



PRESSURE ADJUSTING & UPPER FEED MECHANISM COMPONENTS

No.	Parts No.	Parts name	Remarks	Level	Cons	Qty
95	21438007	UPPER FEED BAR GUIDE	FOR LU-1521N-7			1
96	NS6150430SP	NUT 15/64-28				1
97	SS8111010TP	SCREW 11/64-40 L=9.5				1

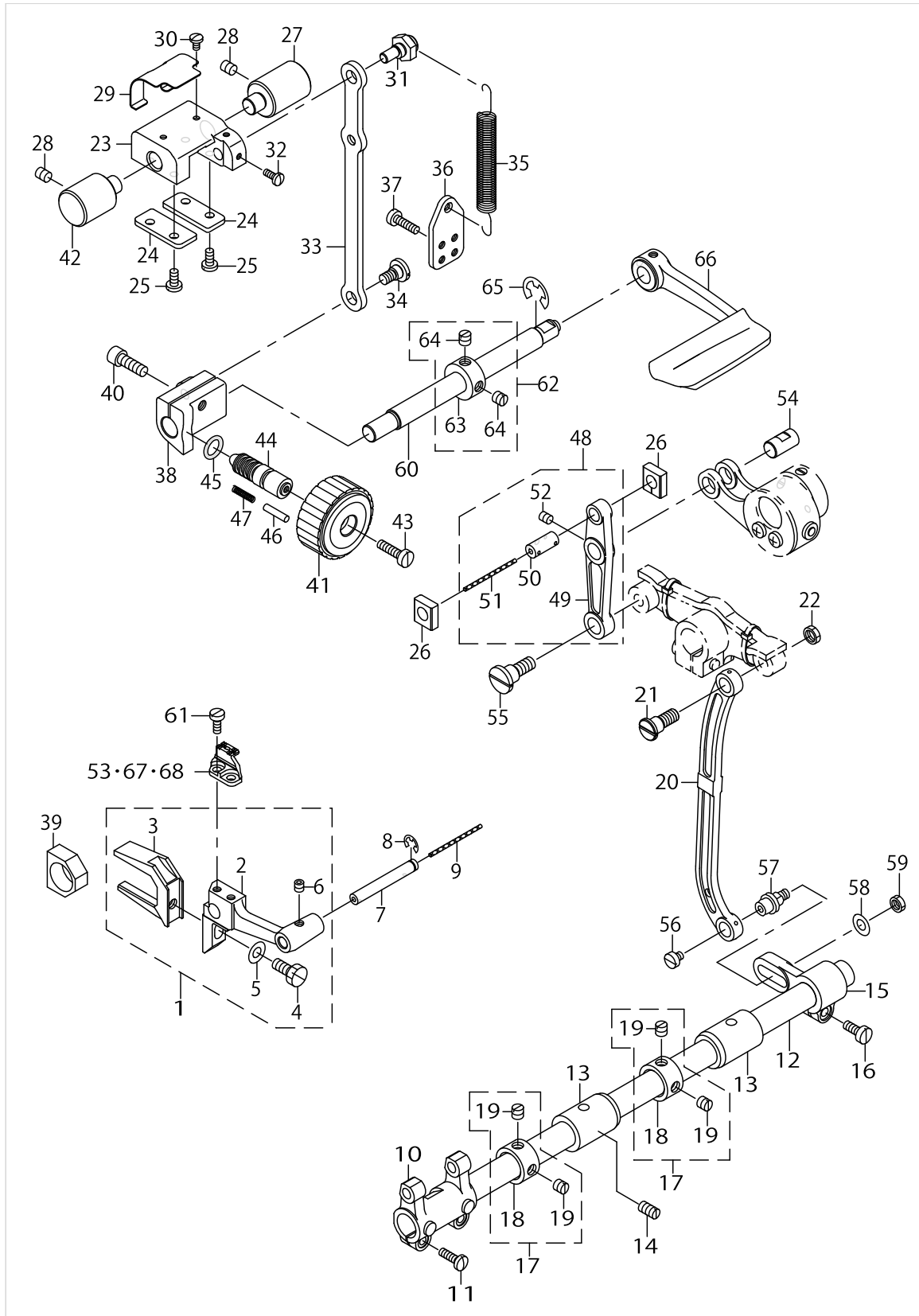
# FEED MECHANISM COMPONENTS



FEED MECHANISM COMPONENTS

No.	Parts No.	Parts name	Remarks	Level	Cons	Qty
1	21393459	FEED BASE ASM.				1
2	21393400	FEED BASE		*		1
3	10107902	FEED BAR FORK		*		1
4	SS9151440CP	SCREW 15/64-28 L=14		*		1
5	WP0621016SD	WASHER 6.2X13X1		*		1
6	SM8050502TP	SCREW M5 L=5		*		1
7	B1604012000A	FEED BAR SHAFT				1
8	RE0500711KP	SNAP RING 5				1
9	CQ202000000	OIL WICK				0.14
10	21364104	FEED ROCKER				1
11	SS7111410SP	SCREW 11/64-40 L=14				2
12	22609408	FEED ROCK SHAFT				1
13	21378302	FEED ROCK SHAFT METAL				2
14	SS8151150TP	SCREW 15/64-28 L=10.5				1
15	B3025141H00A	CONNECTING ARM				1
16	SS6121610TP	SCREW 3/16-28 L=15.5				1
17	22904155	MAIN SHAFT THRUST COLLAR ASM.				2
18	22904106	MAIN SHAFT THRUST COLLAR		*		1
19	SS8660610TP	SCREW 1/4-40 L=6		*		2
20	10205201	NEEDLE BAR FRAME ROD				1
21	SD0900701TP	HINGE SCREW D=9 H=7				1
22	NS6680320SP	NUT 9/32-28				1
23	21337506	FEED ADJUSTING BASE				1
24	21337704	FEED ADJUSTING BASE COVER				2
25	SS7110910TP	SCREW 11/64-40 L=8.5				4
26	21337407	SQUARE BLOCK				2
27	21337803	FEED ADJUSTING BASE SUPPORT				1
28	SS8150822TP	SCREW 15/64-28 L=8				2
29	21338306	FELT SUPPORT				1
30	SS7090610SP	SCREW 9/64-40 L=6				2
31	21337902	ECCENTRIC PIN				1
32	SS7090910TP	SCREW 9/64-40 L=8.5				2
33	21337308	FEED ADJUSTING ROD				1
34	SD0800402TP	HINGE SCREW D=8 H=4				1
35	21337605	SPRING				1
36	40019926	SPRING HOOK				1
37	SS6111610SP	SCREW 11/64-40 L=16				2
38	21337209	FEED ADJUSTING A				1
39	B1610512000	FEED DRIVING SLIDE BLOCK				1
40	SM6061802TP	SCREW M6 L=18				1
41	21336805	FEED DIAL A				1
42	21430400	FEED ADJUSTER SUPPORT				1
43	SS6121860SP	SCREW 3/16-28 L=18				1
44	22911804	FEED REGULATOR SCREW				1
45	RO092270200	RUBBER RING				1
46	22912000	FEED REGULATOR PIN				1
47	22912109	FEED REGULATOR PIN SPRING				1

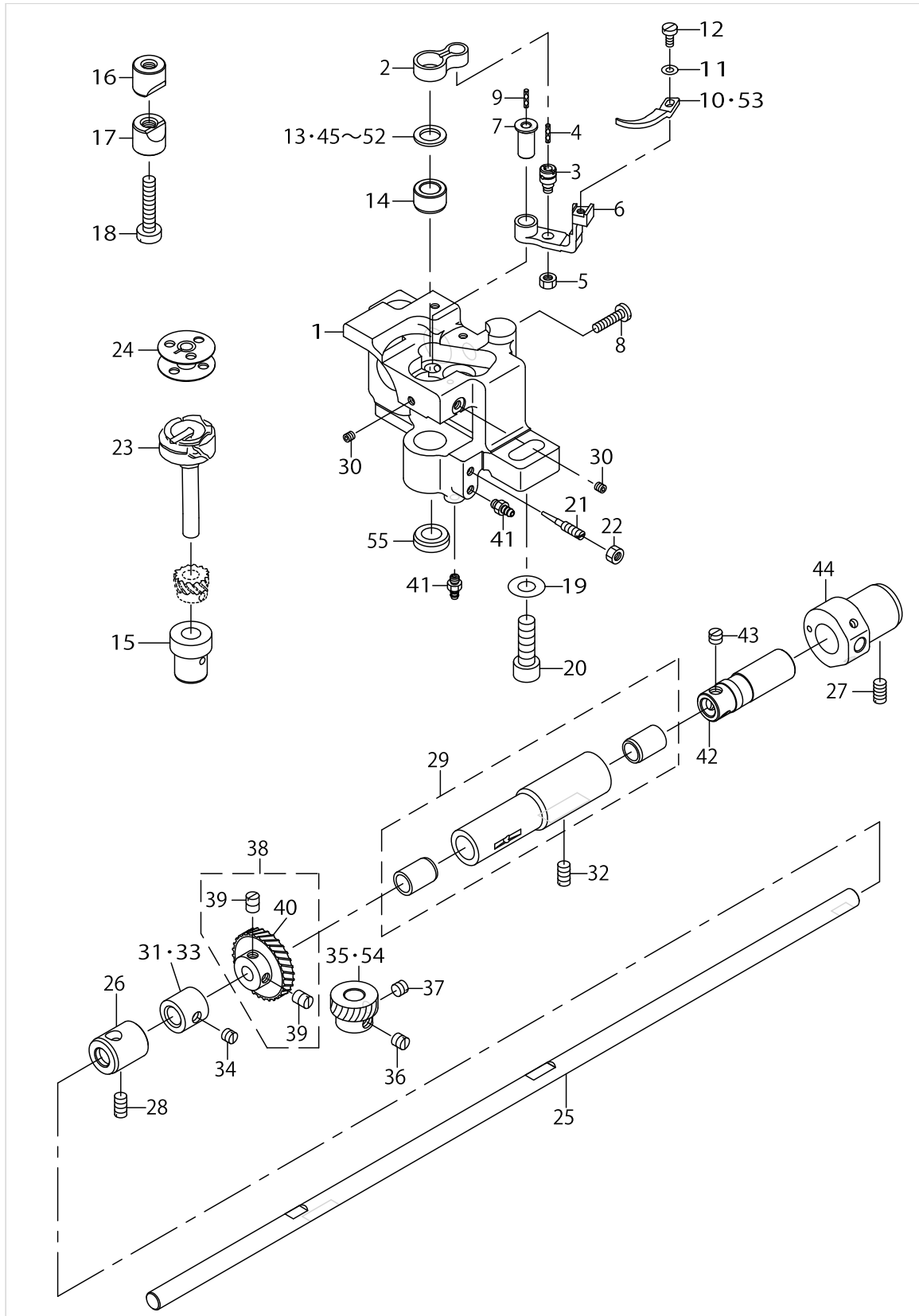
# FEED MECHANISM COMPONENTS



FEED MECHANISM COMPONENTS

No.	Parts No.	Parts name	Remarks	Level	Cons	Qty
48	21336656	FEED LINK ASM.				1
49	21336607	FEED LINK		*		1
50	40009103	CONNECTING FORKED LINK PIN		*		1
51	CQ202000000	OIL WICK		*		0.04
52	SM8050612TP	SCREW M5X6		*		1
53	21399001	FEED DOG	FOR LU-1521N-7			1
54	21378906	FEED LINK PIN				1
55	SD1000801SH	HINGE SCREW D=10 H=8				1
56	SS6110520TP	SCREW 11/64-40 L=4.5				1
57	40108541	FEED ROCK SHAFT HINGE SCREW				1
58	WP0650876SD	WASHER 6.5X13X0.8				1
59	NS6150310SP	NUT 15/64-28				1
60	21336300	BACKWARD FEED LEVER SHAFT				1
61	SS6111010SP	SCREW 11/64-40 L=9.5				2
62	CS1201010SH	THRUST COLLAR ASM. D=12 W=10				1
63	CS1201011SH	THRUST COLLAR D=12 W=10		*		1
64	SS8660610TP	SCREW 1/4-40 L=6		*		2
65	RE0900000K0	E-RING 9				1
66	21388004	REVERSE FEED ROCK SHAFT				1
67	21399100	FEED DOG				1
68	21399209	FEED DOG				1

# HOOK SHAFT & LOWER SHAFT COMPONENTS

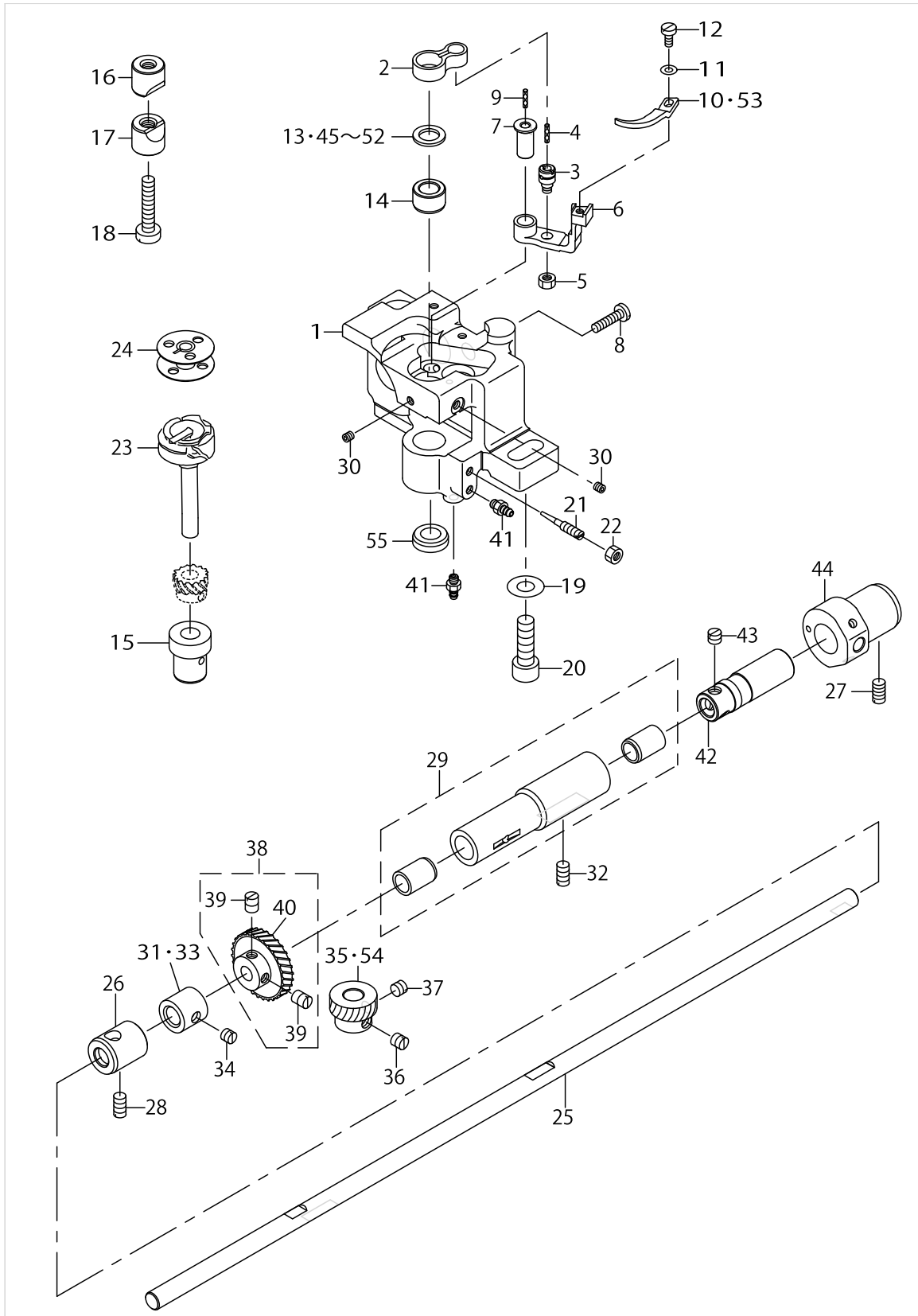


## HOOK SHAFT & LOWER SHAFT COMPONENTS

No.	Parts No.	Parts name	Remarks	Level	Cons	Qty
1	21393608	HOOK SHAFT DASE (RIGHT)				1
2	21334909	INNER HOOK GUIDE LINK				1
3	B1821051000	CRANK SCREW STUD				1
4	CQ202000000	OIL WICK				0.01
5	NS6110420SP	NUT 11/64-40				1
6	21335500	GUIDE ARM (FOR THREAD CUTTING)				1
7	21335708	INNER HOOK GUIDE ARM SHAFT				1
8	SS7111810TP	SCREW 11/64-40 L=18				1
9	CQ202000000	OIL WICK				0.01
10	21335807	INNER HOOK GUIDE				1
11	WP0371016SD	WASHER 3.7X8X1				1
12	SS6090810TP	SCREW 9/64-40 L=7.5				1
13	10111102	THRUST WASHER 1.3				1
14	21378401	HOOK SHAFT UPPER METAL				1
15	21334701	HOOK SHAFT LOWER METAL				1
16	10109908	SADDLE INSTALLING BLOCK UPPER				1
17	10112407	SADDLE INSTALLING BLOCK LOWER				1
18	SS6153040SP	SCREW 15/64-28 L=30				1
19	WP0850002SP	WASHER 8.5X18X1.6				1
20	SM6082502TP	SCREW M8 L=25				1
21	B1834512000A	OIL ADJUSTING SCREW				1
22	NS6110420SP	NUT 11/64-40				1
23	21393756	THREAD CUTTING HOOK ASM.				1
24	21334800	ALUMINUM BOBBIN WITH KNURL				1
25	21333604	LOWER SHAFT				1
26	21393509	HOOK DRIVING SHAFT FRONT METAL				1
27	SS8151150SP	SCREW 15/64-28 L=10.5				1
28	SS8151150TP	SCREW 15/64-28 L=10.5				1
29	B18035150A0	BUSHING ASM. INTERMEDIATE				1
30	SS8110422TP	SCREW 11/64-40 L=4				2
31	B1840051000	FEED DRIVING ECCENTRIC	OPTIONAL PARTS			1
32	SS8151150TP	SCREW 15/64-28 L=10.5				1
33	21378153	VERTICAL FEED CAM ASM.				1
34	SS8150510TP	SCREW 15/64-28 L=4.7				1
35	B1817051000	HOOK DRIVING SHAFT GEAR SMALL	SELECTIVE PARTS			1
36	SS8660670SP	SCREW 1/4-40 L=6.1				1
37	SS8660530TP	SCREW 1/4-40 L=4.5				1
38	40162860	HOOK DRIVING SHAFT GEAR ASM				1
39	SS8660810TP	SCREW 1/4-40 L=8		*		2
40	B1816051000	HOOK DRIVING SHAFT GEAR LARGE		*		1
41	SQ1110401MZ	CONNECTING SCREW				2
42	22611909	OIL PUMP SHAFT				1
43	SS8660530TP	SCREW 1/4-40 L=4.5				3
44	22611701	PLUNGER BUSHING B				1
45	10109700	THRUST WASHER A	SELECTIVE PARTS			1
46	10109809	THRUST WASHER B	SELECTIVE PARTS			1
47	10110906	THRUST WASHER 1.1	SELECTIVE PARTS			1



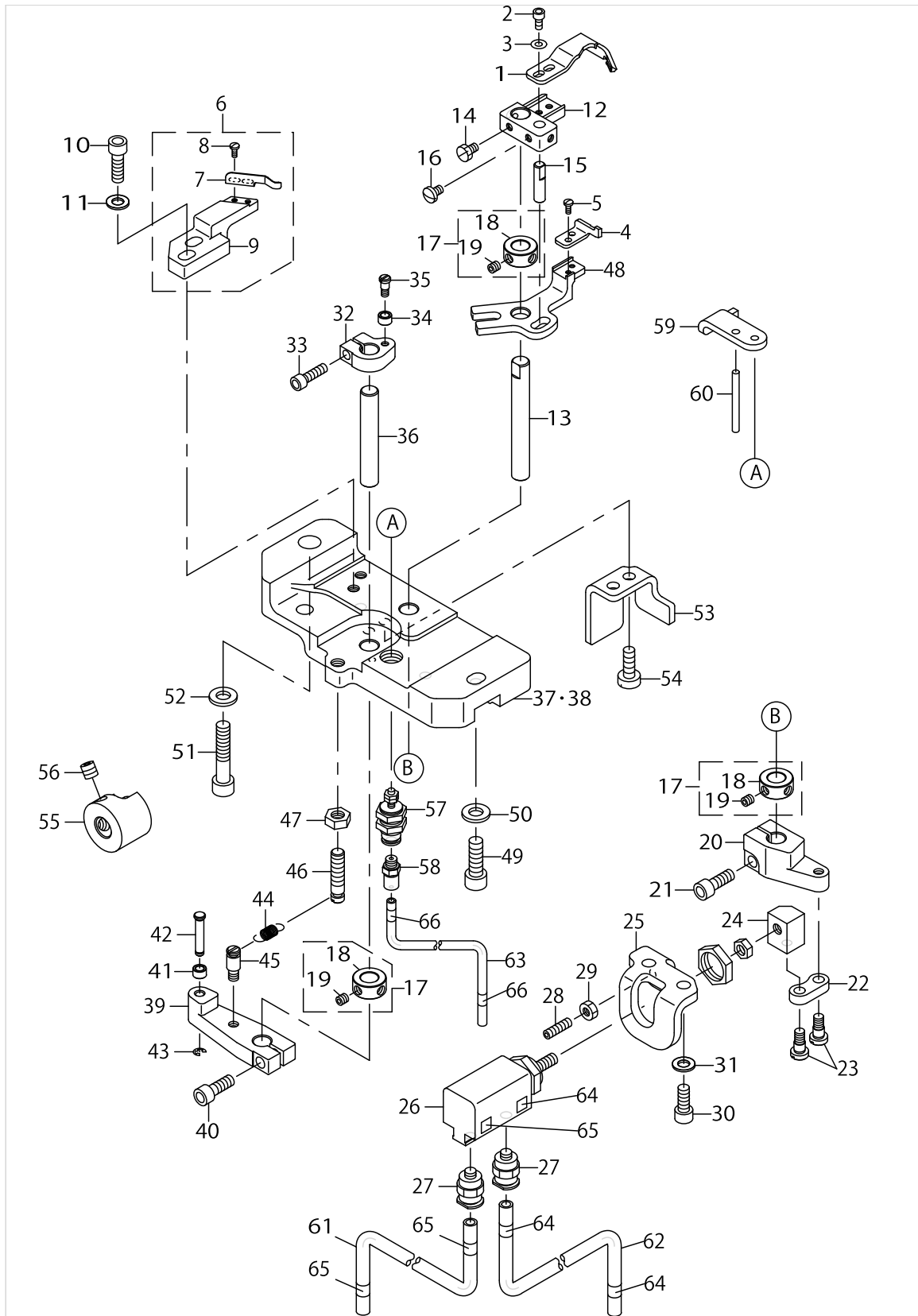
# HOOK SHAFT & LOWER SHAFT COMPONENTS



## HOOK SHAFT & LOWER SHAFT COMPONENTS

No.	Parts No.	Parts name	Remarks	Level	Cons	Qty
48	10111003	THRUST WASHER 1.2	SELECTIVE PARTS			1
49	10111201	THRUST WASHER 1.4	SELECTIVE PARTS			1
50	10112506	THRUST WASHER 1.6	SELECTIVE PARTS			1
51	10112605	THRUST WASHER 1.7	SELECTIVE PARTS			1
52	10112704	THRUST WASHER 1.8	SELECTIVE PARTS			1
53	21452008	INNER HOOK GUIDE	FOR LU-1521N-7			1
54	40042611	HOOK DRIVING SHAFT GEAR	SELECTIVE PARTS			1
55	TA1750502R0	RUBBER PLUG D=17.5 L=5				1

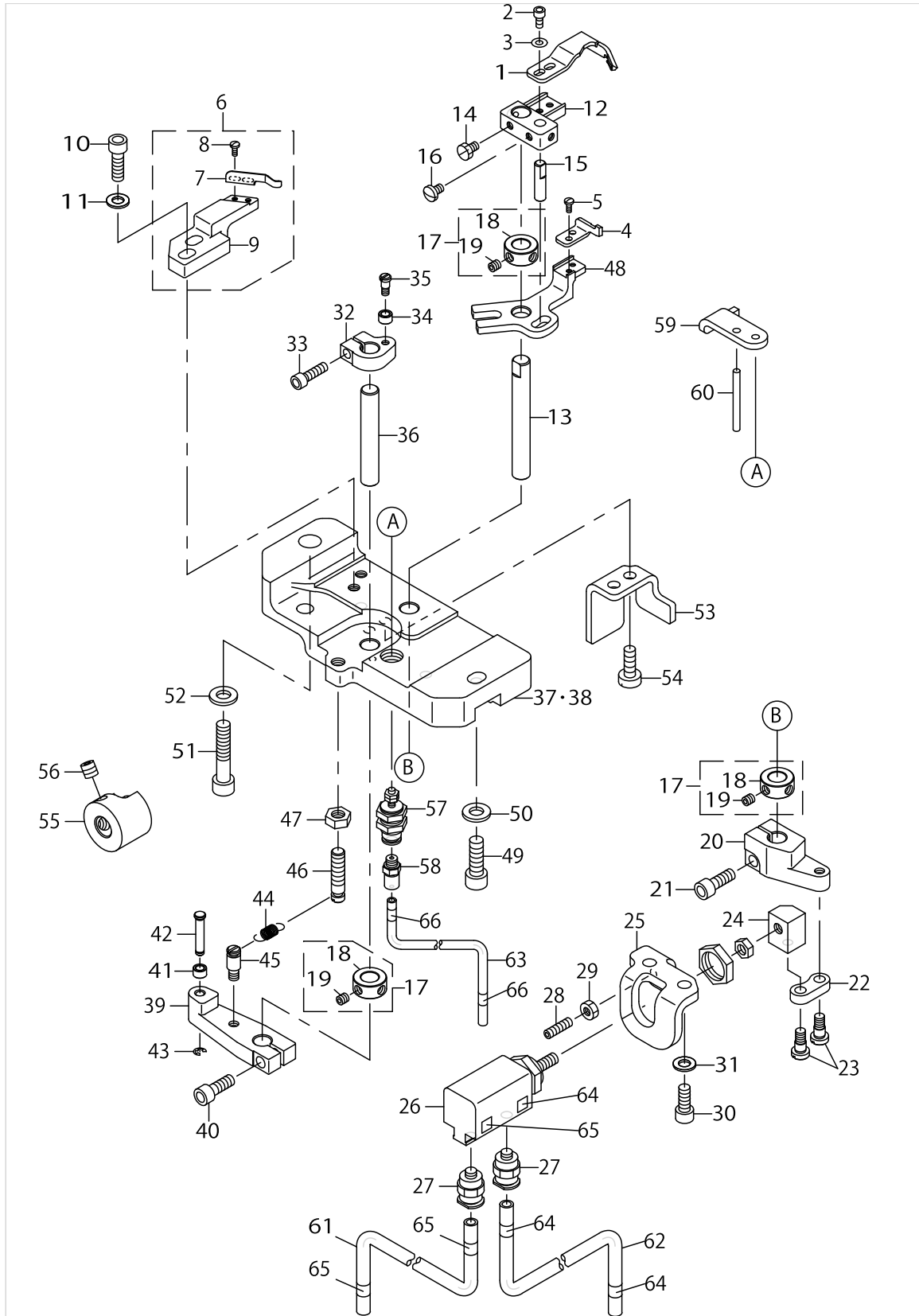
# THREAD CUTTING COMPONENTS



THREAD CUTTING COMPONENTS

No.	Parts No.	Parts name	Remarks	Level	Cons	Qty
1	21395801	MOVING KNIFE				1
2	SM6030602TP	SCREW M3X0.5 L=6				2
3	WP0320501SC	WASHER M3				2
4	21395900	WAITING KNIFE				1
5	SS7060510SP	SCREW 3/32-56 L=4.8				2
6	21395058	CLAMP SPRING BASE ASM.				1
7	21396007	CLAMP SPRING		*		1
8	SS7060510SP	SCREW 3/32-56 L=4.8		*		1
9	21395009	CLAMP SPRING BASE		*		1
10	SM6051602TP	SCREW M5X0.8 L=16				2
11	WP0531001SC	WASHER				2
12	21394101	MOVING KNIFE BASE				1
13	21394309	MOVING KNIFE DRIVING SHAFT				1
14	SS9090640SP	SCREW 9/64-40 L=6				2
15	21394804	KNIFE SHAFT				1
16	SS7090610SP	SCREW 9/64-40 L=6				2
17	40101351	THRUST COLLAR ASM.				3
18	22917009	THRUST COLLAR		*		1
19	SS8110422TP	SCREW 11/64-40 L=4		*		2
20	21394507	MOVING KNIFE DRIVING ARM				1
21	SM6051402TP	SCREW M5X0.8 L=14				1
22	10727907	DRIVING LINK B				1
23	SD0500481TP	HINGE SCREW D=5 H=4.8				2
24	21395108	SYLINDER ARM				1
25	21395207	SYLINDER FITTING PLATE				1
26	PA1601528A0	KNOCK CYLINDER				1
27	PJ301060504	JOINT				2
28	SM8041402TP	SCREW M4X0.7 L=14				1
29	NM6040001SC	NUT M4				1
30	SM6051202TP	SCREW M5X0.8 L=12				2
31	WP0531001SC	WASHER				2
32	21394606	WAITING KNIFE DRIVING ARM A				1
33	SM6041402TP	SCREW M4 L=14				1
34	21394903	KNIFE DRIVING ROLLER				1
35	SD0370401SP	HINGE SCREW D=3.70 H=4.0				1
36	21394408	WAITING KNIFE DRIVING SHAFT				1
37	21394002	THREAD CUTTING BASE				1
38	21455407	THREAD CUTTING BASE	FOR LU-1521N-7			1
39	21394705	WAITING KNIFE DRIVING ARM B				1
40	SM6051402TP	SCREW M5X0.8 L=14				1
41	21394903	KNIFE DRIVING ROLLER				1
42	21395702	KNIFE DRIVING ROLLER SHAFT				1
43	RE0250000K0	E-RING 2.5				1
44	21395306	DRIVING ARM SPRING				1
45	40023289	SPRING SUSPENSION				1
46	B1612206000	SUSPENSION SCREW				1
47	NS6150430SP	NUT 15/64-28				1

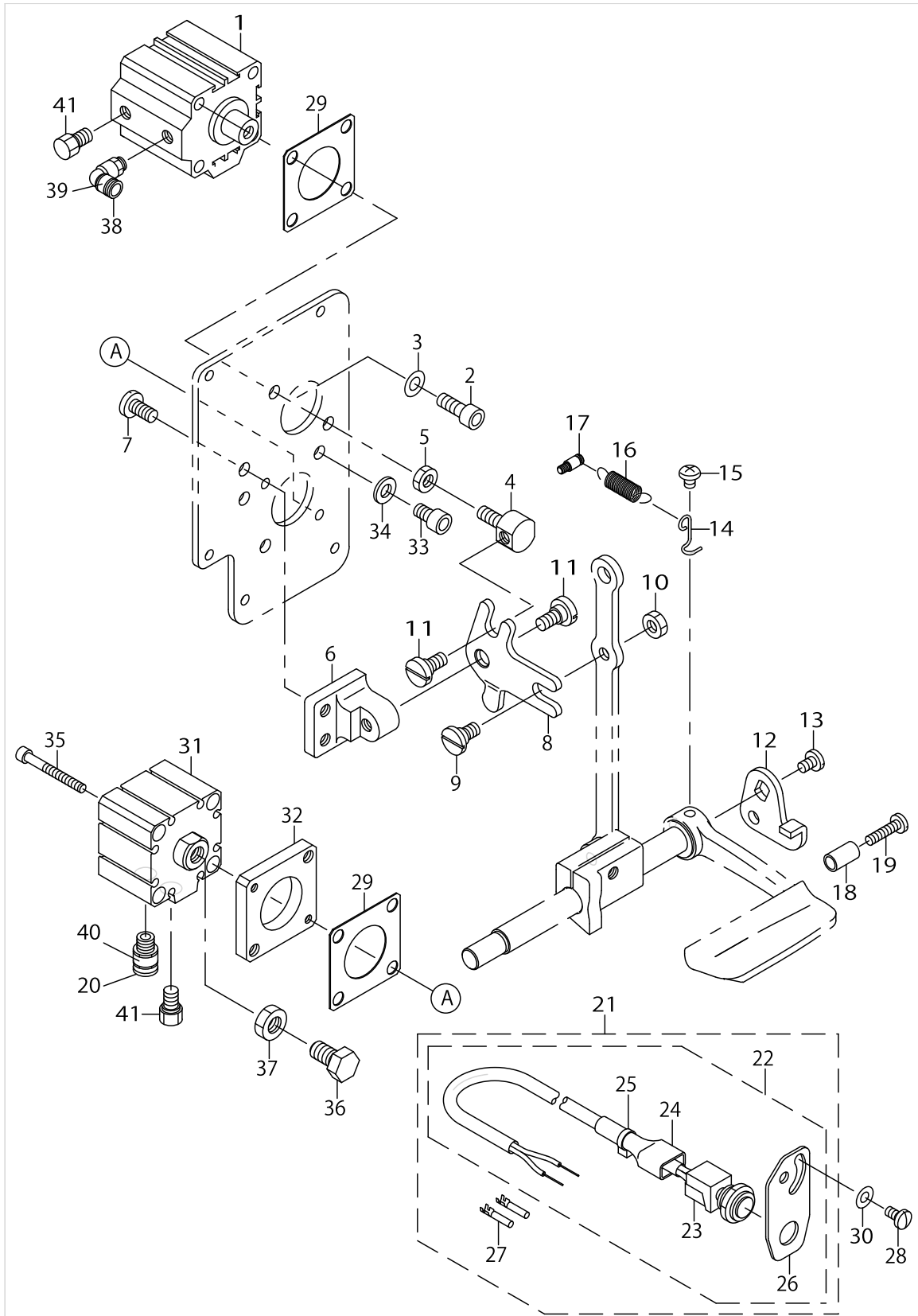
# THREAD CUTTING COMPONENTS



THREAD CUTTING COMPONENTS

No.	Parts No.	Parts name	Remarks	Level	Cons	Qty
48	21394200	WAITING KNIFE BASE				1
49	SS6151812TP	SCREW 15/64-28 L=18				1
50	WP0641601SC	WASHER				1
51	SS6153012TP	SCREW 15/64-28				1
52	WP0641601SD	WASHER M6				1
53	21395504	DRIVING ARM STOPPER PLATE				1
54	SM6051410SC	SCREW M5X0.8 L=14				2
55	21395405	THREAD CUTTING CAM				1
56	SM8060602TP	SCREW M6X6				2
57	PA0600505A0	AIR CYLINDER				1
58	PJ032052503	HOSE NIPPLE				1
59	21395603	KNIFE FIXED PLATE				1
60	PS0300322K0	SPRING PIN				1
61	BT0600401EB	TUBE				1.5
62	BT0600401EB	TUBE				1.5
63	BT0400251EB	URETHANE HOSE BLACK				1.5
64	HX00295000B	WIRE MARK(3)				3
65	HX00295000C	WIRE MARK(4)				3
66	HX00295000J	WIRE MARK(A)				2

AUTOMATIC BACK & CONDENSATION DEVICE COMPONENTS

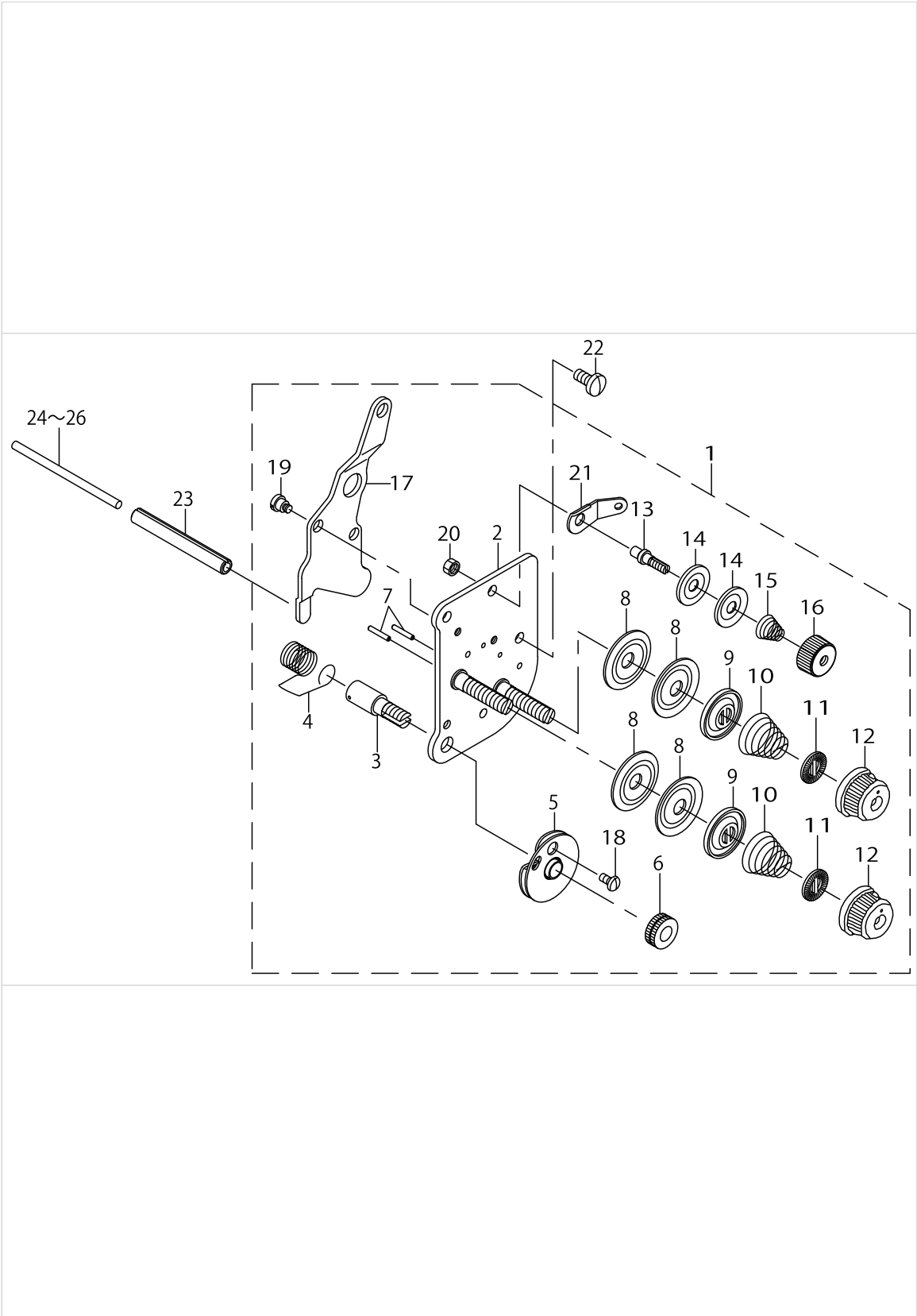


AUTOMATIC BACK & CONDENSATION DEVICE COMPONENTS

No.	Parts No.	Parts name	Remarks	Level	Cons	Qty
1	PA320150200	JIG CYLINDER				1
2	SM6061602TP	SCREW M6 L=16				2
3	WP0641601SD	WASHER M6				2
4	21348602	CYLINDER CONNECTING SCREW				1
5	NM6060003SC	NUT M6				1
6	21348503	FITTING BASE				1
7	SS7151210SP	SCREW 15/64-28 L=12				2
8	21398300	BACKWARD FEED LINK				1
9	SD0800402TP	HINGE SCREW D=8 H=4				1
10	NS6150430SP	NUT 15/64-28				1
11	SD0800352SP	HINGE SCREW D=8 H=3.5				2
12	22656102	REVERSE FEED LINK (1)				1
13	SS7120760SP	SCREW 3/16-28 L=7.0				1
14	22656003	SPRING SUSPENSION				1
15	SS4120615SP	SCREW 3/16-28 L=6				1
16	26226209	SPRING				1
17	40023289	SPRING SUSPENSION				1
18	22952501	BACK LEVER STOPPER				1
19	SS7111810SP	SCREW 11/64-40 L=18				1
20	PJ301065104	HALF UNION				1
21	40056366	BT SWITCH C ASM.				1
22	40056365	BT SWITCH B ASM.		*		1
23	40056364	BT SWITCH A ASM.		*		1
24	GTS01037000	CONNECTOR COVER		*		1
25	EA9500B0100	CABLE BAND		*		1
26	21388608	CABLE BAND		*		1
27	HK03464000A	TERMINAL FEMALE		*		2
28	SS7110840SP	SCREW 11/64-40 L=7.8				2
29	21349105	CYLINDER PACKING				2
30	WP0501016SD	WASHER 5X10.5X1				2
31	PA320100300	JIG CYLINDER				1
32	21398409	CYLINDER FITTING BASE				1
33	SM6061002TP	SCREW M6 L=10				2
34	WP0641601SD	WASHER M6				2
35	SM6043552TN	SCREW M4 L=35				2
36	21398508	CYLINDER SCREW				1
37	NM6080003SC	NUT M8				1
38	PJ304065101	ELBOW UNION 6XPT1/8				1
39	HX002950000	WIRE MARK(1)				1
40	HX00295000A	WIRE MARK(2)				1
41	PX015101000	MUFFLER				2



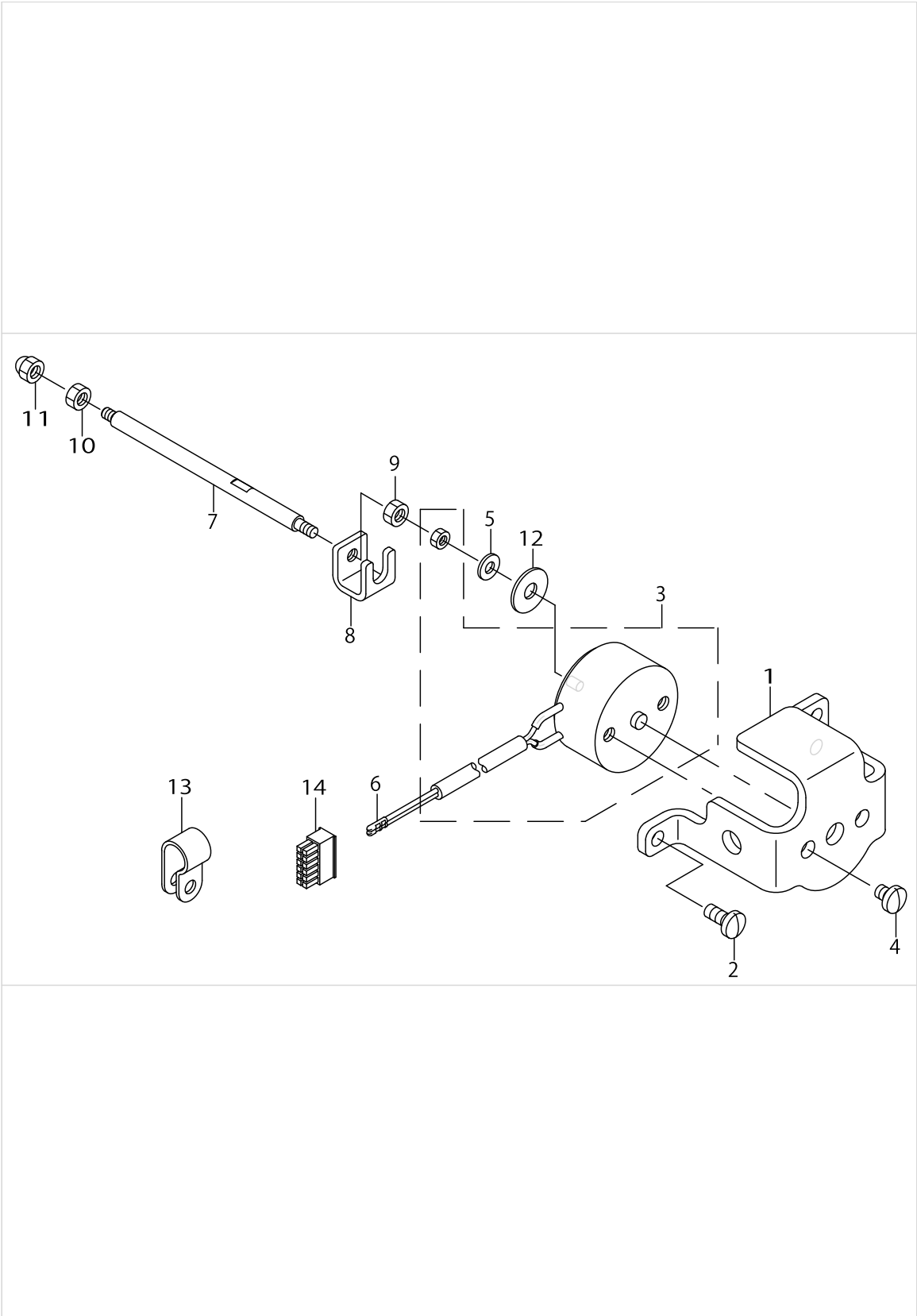
THREAD TENSION COMPONENTS



THREAD TENSION COMPONENTS

No.	Parts No.	Parts name	Remarks	Level	Cons	Qty
1	21441068	THREAD TENSION ASM.				1
2	21441050	TENSION POST COMPL.		*		1
3	10320109	SCREW STUD		*		1
4	B3128520000	TENSION SPRING		*		1
5	B31375270A0	TAKE-UP SPRING GUIDE ASM.		*		1
6	B3125012000	THREAD TENSION NUT		*		1
7	22618201	TENSION RELEASE PIN, A		*		2
8	13138201	THREAD TENSION DISK		*		4
9	22617906	THREAD TENSION DISK PRESSER		*		2
10	B3129526000	TENSION SPRING (1.2)		*		2
11	B3120125000	ROTATING STOPPER		*		2
12	11956802	THREAD TENSION KNOB BLUE		*		2
13	10124204	THREAD TENSION POST A		*		1
14	10741106	FIRST THREAD TENSION PLATE		*		2
15	11045101	THREAD TENSION SPRING		*		1
16	11072402	THREAD TENSION NUT		*		1
17	21441100	TENSION RELEASE PLATE		*		1
18	SS4080610SP	SCREW 1/8-44 L=6.4		*		1
19	SD0470281SP	HINGE SCREW D=4.7 H=2.8		*		2
20	NS6110310SP	NUT 11/64-40		*		1
21	D3162555B00	THREAD GUIDE		*		1
22	SS7110910TP	SCREW 11/64-40 L=8.5				2
23	PS0600502KP	SPRING PIN				1
24	21348206	TENSION RELEASE BAR	SELECTIVE PARTS			1
25	10321107	TENSION RELEASE BAR	SELECTIVE PARTS			1
26	23006406	TENSION RELEASE BAR				1

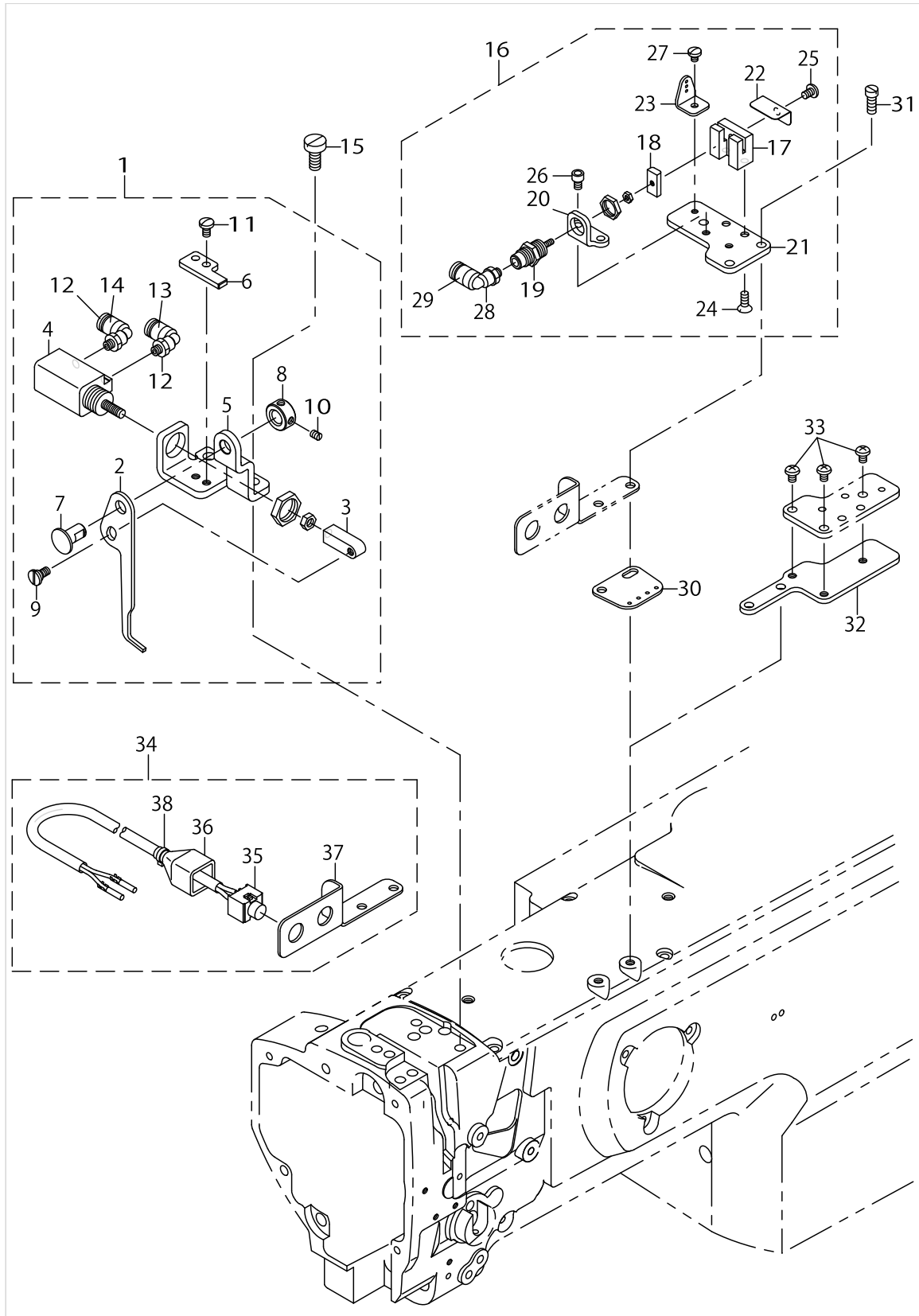
THREAD RELEASE COMPONENTS



THREAD RELEASE COMPONENTS

No.	Parts No.	Parts name	Remarks	Level	Cons	Qty
1	21441407	SOLENOID INSTALLING PLATE				1
2	SS7110910TP	SCREW 11/64-40 L=8.5				2
3	21363106	TENSION RELEASE SOLENOID				1
4	SS7110570SP	SCREW 11/64-40 L=4.8				2
5	40062388	WASHER				1
6	HK03464000A	TERMINAL FEMALE				2
7	21441209	TENSION RELEASE BAR				1
8	21441308	COUPLING				1
9	NM6040001SN	NUT M4X0.7				1
10	NM6040001SN	NUT M4X0.7				1
11	NM7040062SB	NUT M4				1
12	WP0501046SC	WASHER 5X13X1				1
13	HX00123000A	CABLE CLIP				1
14	HK034610120	HOUSING 12P				1

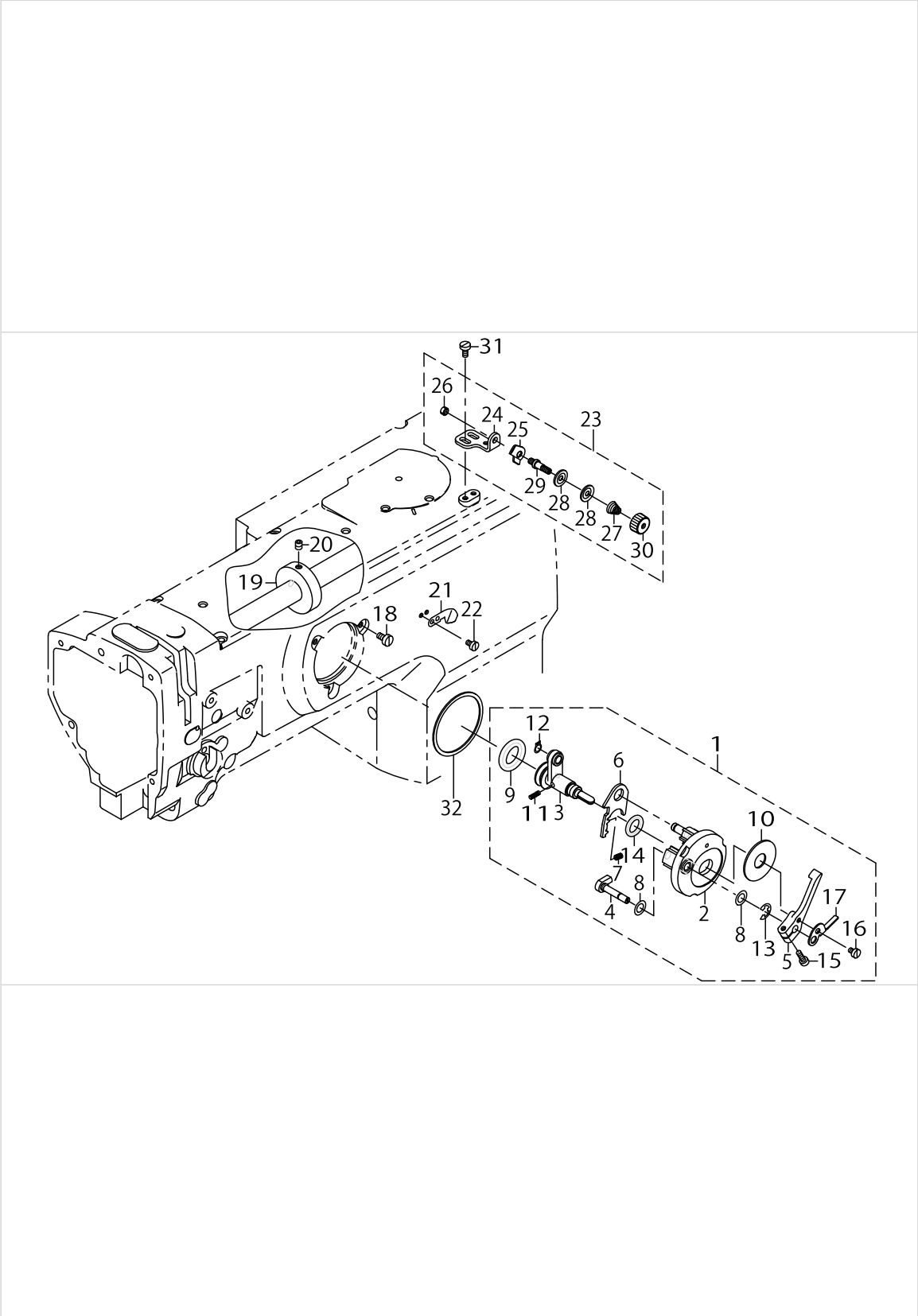
# THREAD RACK & THREAD PRESSER COMPONENTS



THREAD RACK & THREAD PRESSER COMPONENTS

No.	Parts No.	Parts name	Remarks	Level	Cons	Qty
1	21396551	THREAD RACK DEVICE ASM.				1
2	21396502	THREAD RACK PLATE		*		1
3	21396601	DRIVING CYLINDER KNUCKLE		*		1
4	PA1601528A0	CYLINDER		*		1
5	21396700	DRIVING CYLINDER BASE		*		1
6	21396809	STOPPER		*		1
7	10714608	CONNECTION LINK B SUPPORT PIN		*		1
8	CS0800816SH	THRUST HOLDER D=8 W=8		*		1
9	SD0640241SP	HINGE SCREW D=6.35 H=2.4		*		1
10	SS8110520TP	SCREW 11/64-40 L=4.5		*		2
11	SS7110710SP	SCREW 11/64-40 L=7		*		2
12	PJ304040504	ELBOW UNION		*		2
13	HX00295000E	WIRE MARK (6)		*		1
14	HX00295000D	WIRE MARK (5)		*		1
15	SS6151440SP	SCREW 15/64-28 L=14				2
16	21396957	THREAD PRESSER DEVICE ASM.				1
17	21396908	THREAD PRESSER BASE		*		1
18	21397005	THREAD PRESSER		*		1
19	PA0600502A0	CYLINDER		*		1
20	21397104	CYLINDER FITTING PLATE		*		1
21	21397203	FITTING PLATE A		*		1
22	21397401	THREAD PRESSER BASE COVER		*		1
23	12966800	UPPER THREAD GUIDE		*		1
24	SM1040801SC	SCREW M4X0.7 L=8		*		2
25	SM4040601SC	SCREW M4X0.7 L=6		*		1
26	SM6040602TP	SCREW M4 L=6		*		2
27	SS7090520TP	SCREW 9/64-40 L=4.5		*		1
28	PJ304040504	ELBOW UNION		*		2
29	HX00295000D	WIRE MARK (5)		*		1
30	21355904	ARM THREAD GUIDE				1
31	SS6621220SP	SCREW 3/16-32 L=12				2
32	21397302	FITTING PLATE B				1
33	SS4110615SP	SCREW 11/64-40 L=6				3
34	21397567	THREAD RACK SWITCH WHOLE ASM.				1
35	21397559	THREAD RACK SWITCH ASM.		*		1
36	D6009555D0A	4-POLE NYLON PLUG COVER		*		1
37	21397500	SWITCH FITTING PLATE		*		1
38	EA9500B0100	CABLE BAND		*		1

LOWER THREAD WINDER MECHANISM COMPONENTS

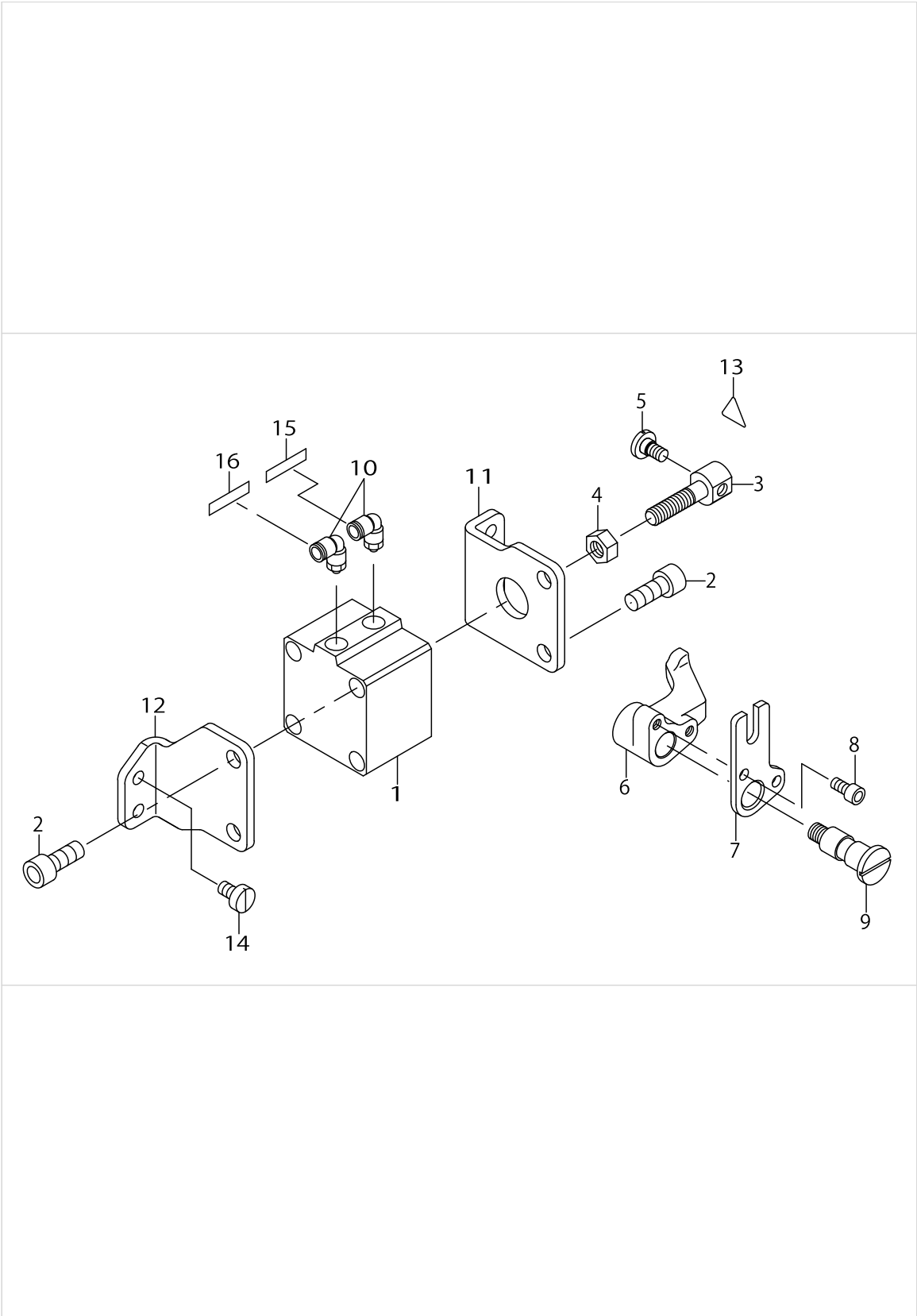


LOWER THREAD WINDER MECHANISM COMPONENTS

No.	Parts No.	Parts name	Remarks	Level	Cons	Qty
1	21357967	BOBBIN DEVICE ASM.				1
2	22537658	BOBBIN FITTING BASIS COMPL.		*		1
3	21357959	BOBIN SHAFT COMPL.		*		1
4	22538151	BOBBIN CAM SHAFT COMPL.		*		1
5	23636202	BOBBIN LEVER		*		1
6	22538409	ADJUSTING PLATE		*		1
7	21356001	ADJUSTING PLATE		*		1
8	10618304	VERTICAL ROLLER WASHER		*		2
9	21358205	RUBBER RING		*		1
10	B3205210000	CUSHION		*		1
11	B1148555000	SPRING		*		1
12	RC0560711KP	RETAINING RING		*		1
13	RE0500000K0	E-RING		*		1
14	RO092270200	RUBBER RING		*		1
15	SS7091410SP	SCREW 9/64-40 L=13.5		*		1
16	SS6090520SP	SCREW 9/64-40 L=5.0		*		1
17	14512503	BOBBIN ADJUSTING PLATE		*		1
18	SS6110810TP	SCREW 11/64-40 L=8				3
19	10704807	BOBBIN FRICTION WHEEL				1
20	SM8050602TP	SCREW M5 L=6				2
21	10502300	THREAD CUTTER				1
22	SS6090620SP	SCREW 9/64-40 L=6				2
23	21355755	LOWER THREAD GUIDE ASM.				1
24	21355706	FITTING BASE		*		1
25	D3162555B00	THREAD GUIDE		*		1
26	NS6110310SP	NUT 11/64-40		*		1
27	22945505	THREAD TENSION SPRING		*		1
28	40113092	THREAD TENSION DISK		*		2
29	21378708	THREAD TENSION POST		*		1
30	22945703	THREAD TENSION NUT		*		1
31	SM6040800SP	SCREW				2
32	22538706	PACKING				1



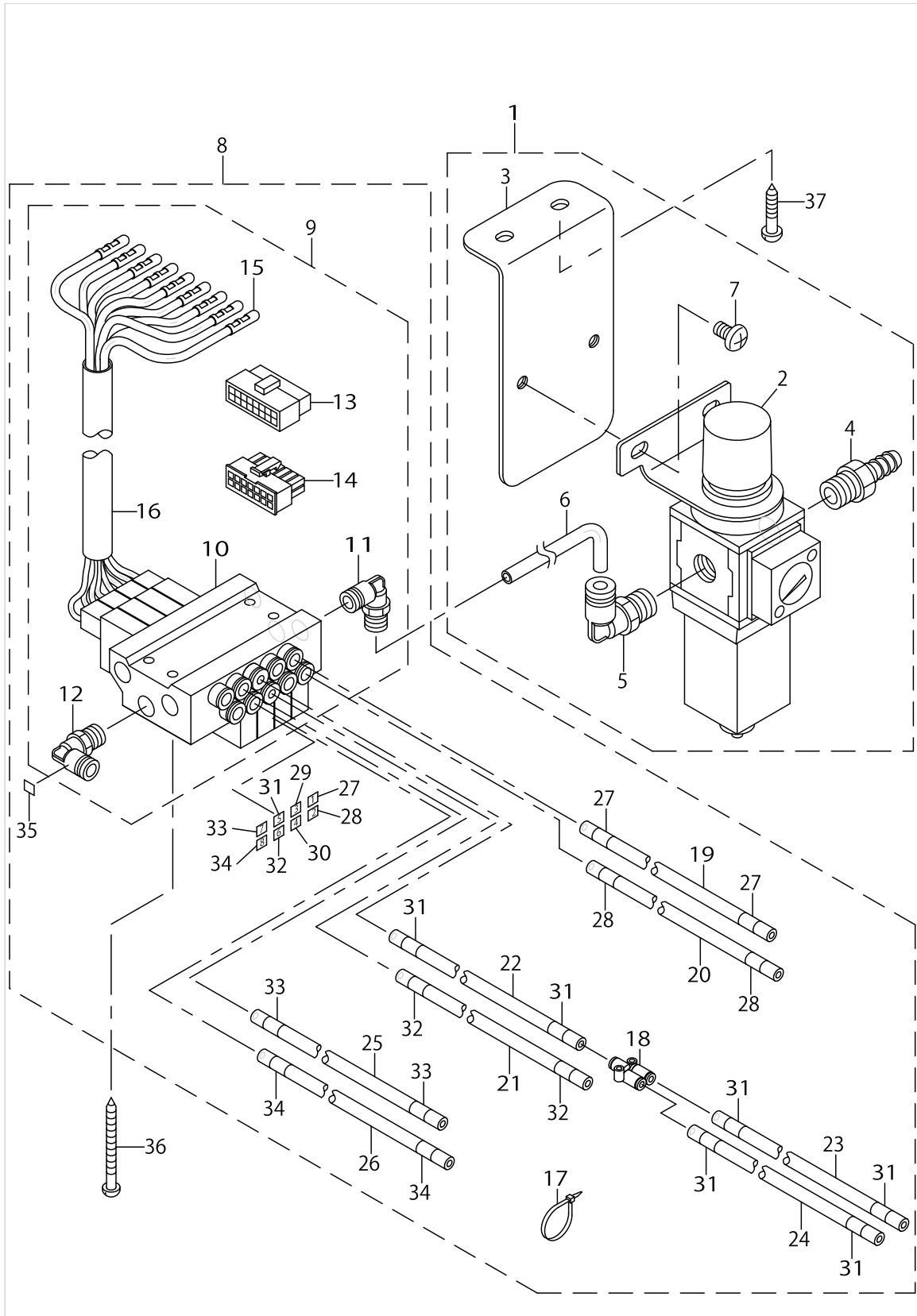
AUTOMATIC PRESSER LIFTING MECHANISM COMPONENTS



AUTOMATIC PRESSER LIFTING MECHANISM COMPONENTS

No.	Parts No.	Parts name	Remarks	Level	Cons	Qty
1	PA400150100	AIR CYLINDER				1
2	SM6082002TP	SCREW M8 L=20				4
3	21356506	CYLINDER CONNECTING SCREW				1
4	NM6080001SE	NUT M8				1
5	SD0720331SP	HINGE SCREW D=7.24 H=3.3				1
6	21388509	PRESSER LIFTER LEVER A				1
7	21356803	PRESSER LIFTER LEVER B				1
8	SM6051002TP	SCREW M5X0.8 L=10				2
9	21356704	SHAFT				1
10	PJ304065101	ELBOW UNION 6XPT1/8				2
11	21356308	CYLINDER STAY(FRONT)				1
12	21356407	CYLINDER STAY(REAR)				1
13	CM300200001	ATTENTION SEAL				1
14	SS6151040SP	SCREW 15/64-28 L=10				4
15	HX00295000F	WIRE MARK(7)				1
16	HX00295000G	WIRE MARK(8)				1

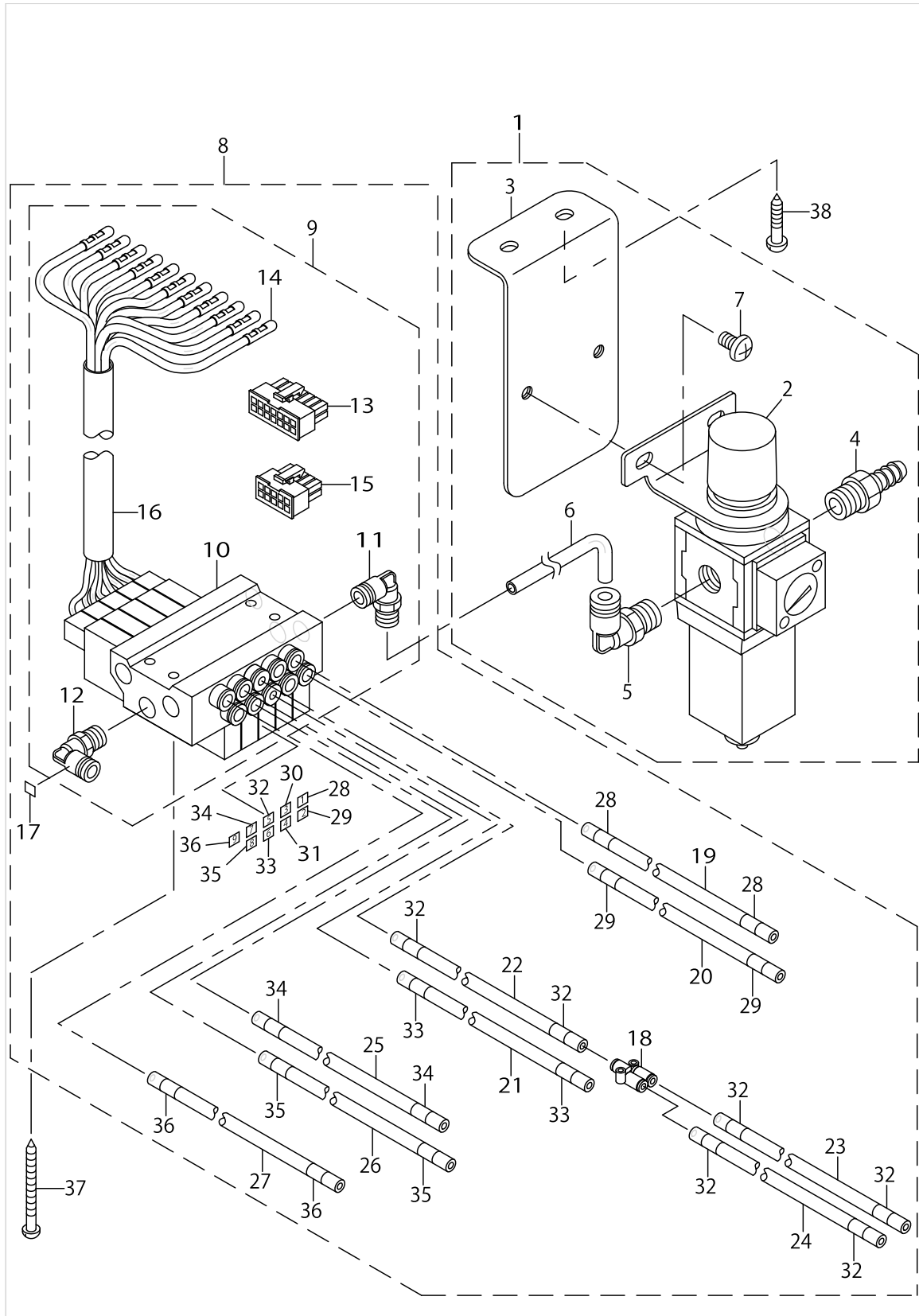
AIR MECHANISM A COMPONENTS



AIR MECHANISM A COMPONENTS

No.	Parts No.	Parts name	Remarks	Level	Cons	Qty
1	40038722	FILTER REGULATAR ASM.				1
2	PF0552170A0	FILTER REGULATOR		*		1
3	40038723	FILTER REGULATOR MOUNTING PLATE		*		1
4	GAK29011000	NIPPLE		*		1
5	GAK29009000	ELBOW		*		1
6	BT0600401EB	TUBE		*		0.15
7	SM4061001SB	SCREW M6 L=10		*		2
8	40024967	AIR APPARATUS (A) ASM.				1
9	40024859	ELECTROMAGNETICVALVE (A) ASM.		*		1
10	GAKA2402A00	ELECTROMAGNETIC VALVE A		*		1
11	GAK29010000	ELBOW B		*		1
12	PJ304045102	ELBOW UNION C		*		1
13	HK034610160	16-POLE RECEPTACLE		*		1
14	40064517	CONNECTOR		*		1
15	HK03464000A	TERMINAL FEMALE		*		9
16	GAKA1503000	INSULATION TUBE		*		0.25
17	EA9500B0100	CABLE BAND		*		2
18	PJ308040007	UNION Y		*		1
19	BT0600401EB	TUBE		*		0.9
20	BT0600401EB	TUBE		*		0.9
21	BT0400251EB	URETHANE HOSE BLACK		*		1.3
22	BT0400251EB	URETHANE HOSE BLACK		*		1.1
23	BT0400251EB	URETHANE HOSE BLACK		*		0.11
24	BT0400251EB	URETHANE HOSE BLACK		*		0.11
25	BT0600401EB	TUBE		*		1.2
26	BT0600401EB	TUBE		*		1.2
27	HX002950000	WIRE MARK(1)		*		3
28	HX00295000A	WIRE MARK(2)		*		3
29	HX00295000B	WIRE MARK(3)		*		1
30	HX00295000C	WIRE MARK(4)		*		1
31	HX00295000D	WIRE MARK(5)		*		11
32	HX00295000E	WIRE MARK(6)		*		3
33	HX00295000F	WIRE MARK(7)		*		3
34	HX00295000G	WIRE MARK(8)		*		3
35	HX00295000J	WIRE MARK(A)		*		1
36	SK3385001SE	WOOD SCREW D=3.8 L=50				4
37	SK3482501SE	WOOD SCREW D=4.8 L=25				2

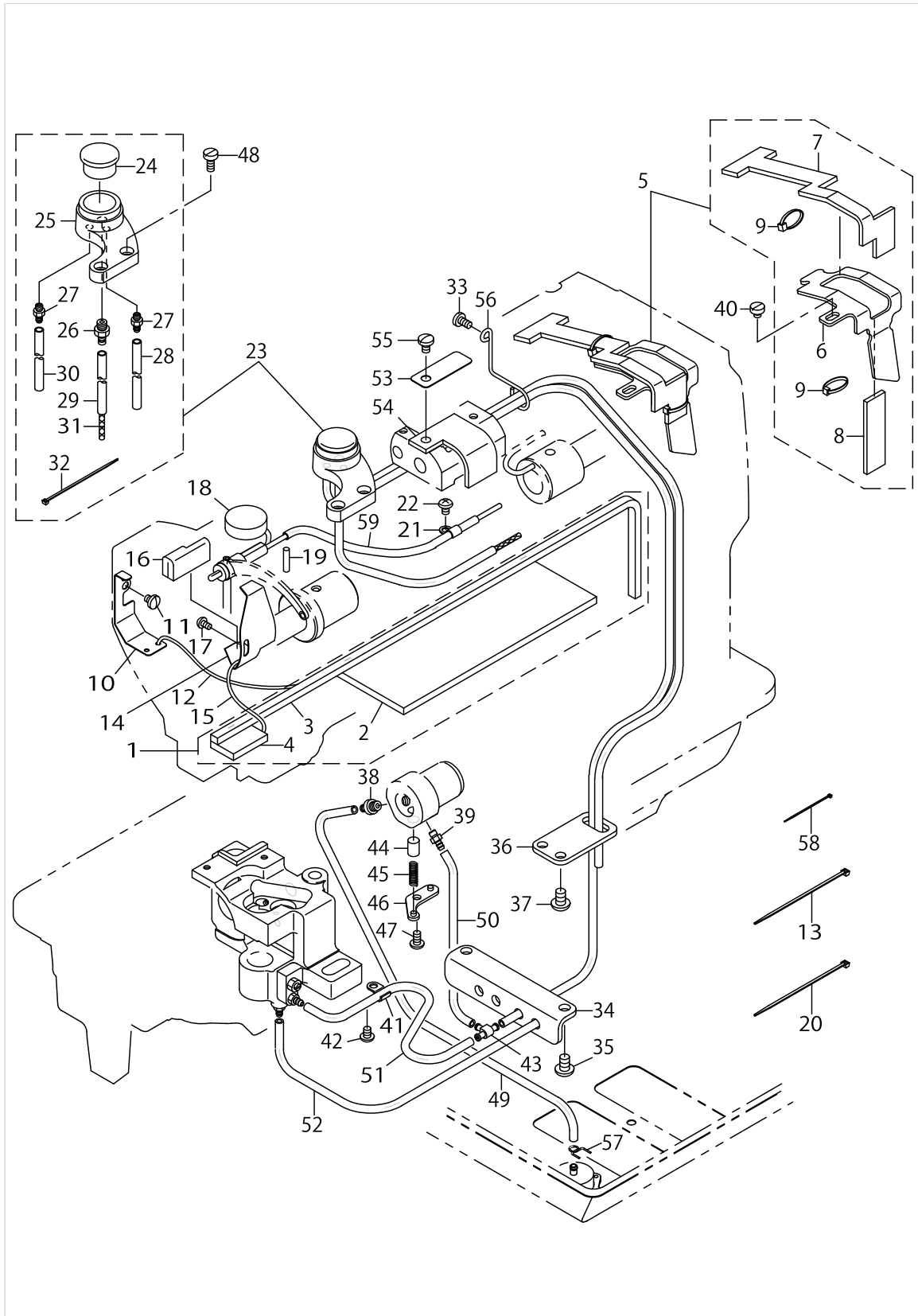
AIR MECHANISM B (OPTION) COMPONENTS



AIR MECHANISM B (OPTION) COMPONENTS

No.	Parts No.	Parts name	Remarks	Level	Cons	Qty
1	40038722	FILTER REGULATAR ASM.				1
2	PF0552170A0	FILTER REGULATOR		*		1
3	40038723	FILTER REGULATOR MOUNTING PLATE		*		1
4	GAK29011000	NIPPLE		*		1
5	GAK29009000	ELBOW		*		1
6	BT0600401EB	TUBE		*		0.15
7	SM4061001SB	SCREW M6 L=10		*		2
8	40024968	AIR APPARATUS (B) ASM.				1
9	40024860	ELECTROMAGNETIC VALVE (B)		*		1
10	GAKA2402B00	ELECTROMAGNETIC VALVE B		*		1
11	GAK29010000	ELBOW B		*		1
12	PJ304045102	ELBOW UNION C		*		1
13	40064517	CONNECTOR		*		1
14	HK03464000A	TERMINAL FEMALE		*		11
15	HK034610100	10P CONNECTOR		*		1
16	GAKA1503000	INSULATION TUBE		*		0.25
17	HX00295000J	WIRE MARK(A)		*		1
18	PJ308040007	UNION Y		*		1
19	BT0600401EB	TUBE		*		0.9
20	BT0600401EB	TUBE		*		0.9
21	BT0400251EB	URETHANE HOSE BLACK		*		1.3
22	BT0400251EB	URETHANE HOSE BLACK		*		1.1
23	BT0400251EB	URETHANE HOSE BLACK		*		0.11
24	BT0400251EB	URETHANE HOSE BLACK		*		0.11
25	BT0600401EB	TUBE		*		1.2
26	BT0600401EB	TUBE		*		1.2
27	BT0600401EB	TUBE		*		1.3
28	HX002950000	WIRE MARK(1)		*		3
29	HX00295000A	WIRE MARK(2)		*		3
30	HX00295000B	WIRE MARK(3)		*		1
31	HX00295000C	WIRE MARK(4)		*		1
32	HX00295000D	WIRE MARK(5)		*		11
33	HX00295000E	WIRE MARK(6)		*		3
34	HX00295000F	WIRE MARK(7)		*		3
35	HX00295000G	WIRE MARK(8)		*		3
36	HX00295000H	WIRE MARK(9)		*		2
37	SK3385001SE	WOOD SCREW D=3.8 L=50				4
38	SK3482501SE	WOOD SCREW D=4.8 L=25				2

LUBRICATION COMPONENTS

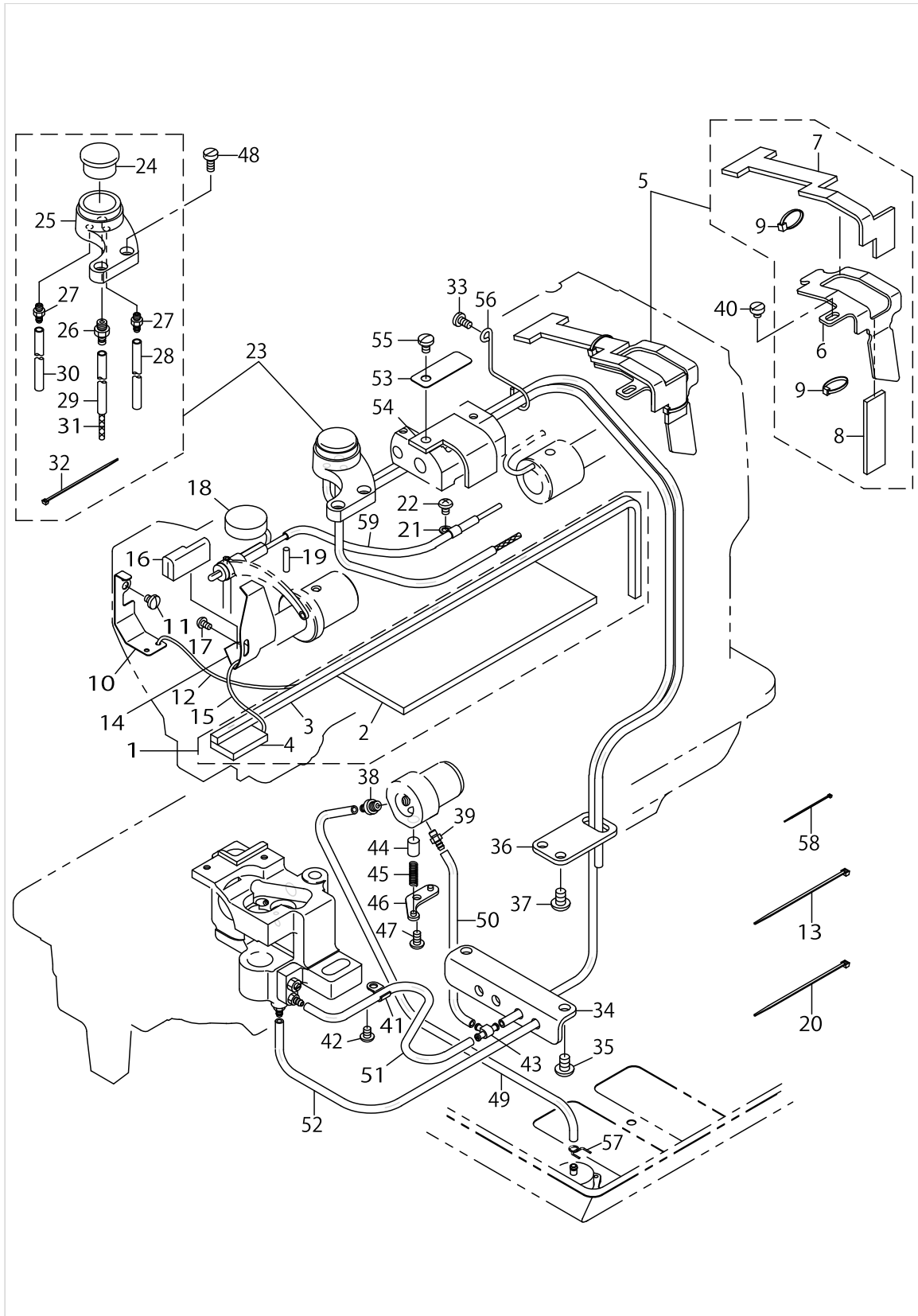


LUBRICATION COMPONENTS

No.	Parts No.	Parts name	Remarks	Level	Cons	Qty
1	21345756	ARM ONCE THROUGH OIL FELT ASM.				1
2	21345707	ARM ONCE THROUGH FELT A		*		1
3	21345806	FELT B		*		1
4	21345905	FACE ONCE THROUGH FELT		*		1
5	21346358	FELT SUPPORT ASM.				1
6	21346309	FELT		*		1
7	21346507	FEED CHANGE FELT		*		1
8	21346408	FELT		*		1
9	EA9500B0000	CLIP CV-70S		*		2
10	21340708	UPPER FEED OIL BAR PLATE				1
11	SS7110510SP	SCREW 11/64-40 L=5				1
12	CQ202000000	OIL WICK				0.2
13	EA9500B0100	CABLE BAND				1
14	21347000	TAKE-UP OIL PLATE				1
15	CQ202000000	OIL WICK				0.25
16	21347208	TAKE-UP LUBRICATION FELT				1
17	SS3090610SP	SCREW 9/64-40 L=6				1
18	21346002	FELT				1
19	B1412051000	FELT				1
20	A407855000A	CLIP BAND				1
21	B3538112000	OIL RETURN TUBE HOLDER				1
22	SS4110615SP	SCREW 11/64-40 L=6				1
23	21345657	ARM OIL TANK ASM.				1
24	B3520586000	OIL SIGHT WINDOW		*		1
25	21345608	ARM OIL TANK		*		1
26	SQ1110401MZ	CONNECTING SCREW		*		1
27	SQ1150451MZ	CONNECTING SCREW		*		2
28	23630007	TUBE		*		0.5
29	23630007	TUBE		*		0.2
30	23630007	TUBE		*		0.6
31	CQ252000000	OIL WICK		*		0.7
32	EA9500B0100	CABLE BAND		*		3
33	SS7110830SP	SCREW 11/64-40 L=7.5				1
34	21345103	LUBRICATION BRACKET				1
35	SS4150915SP	SCREW 15/64-28 L=9				2
36	21345202	OIL PIPE STAY				1
37	SS4150915SP	SCREW 15/64-28 L=9				2
38	40064409	CONNECTION SCREW ASM.				1
39	SQ1110401MZ	CONNECTING SCREW				1
40	SS6110480SP	SCREW 11/64-40 L=4.3				1
41	B3538112000	OIL RETURN TUBE HOLDER				1
42	SS4110615SP	SCREW 11/64-40 L=6				1
43	13765607	OIL CONNec. ARM				1
44	B3534155000	PLUNGER				1
45	B1214038000	PLUNGER SPRING				1
46	B3524552000	PLUNGER THRUST PLATE				1
47	SS4110815SP	SCREW 11/64-40 L=8				1



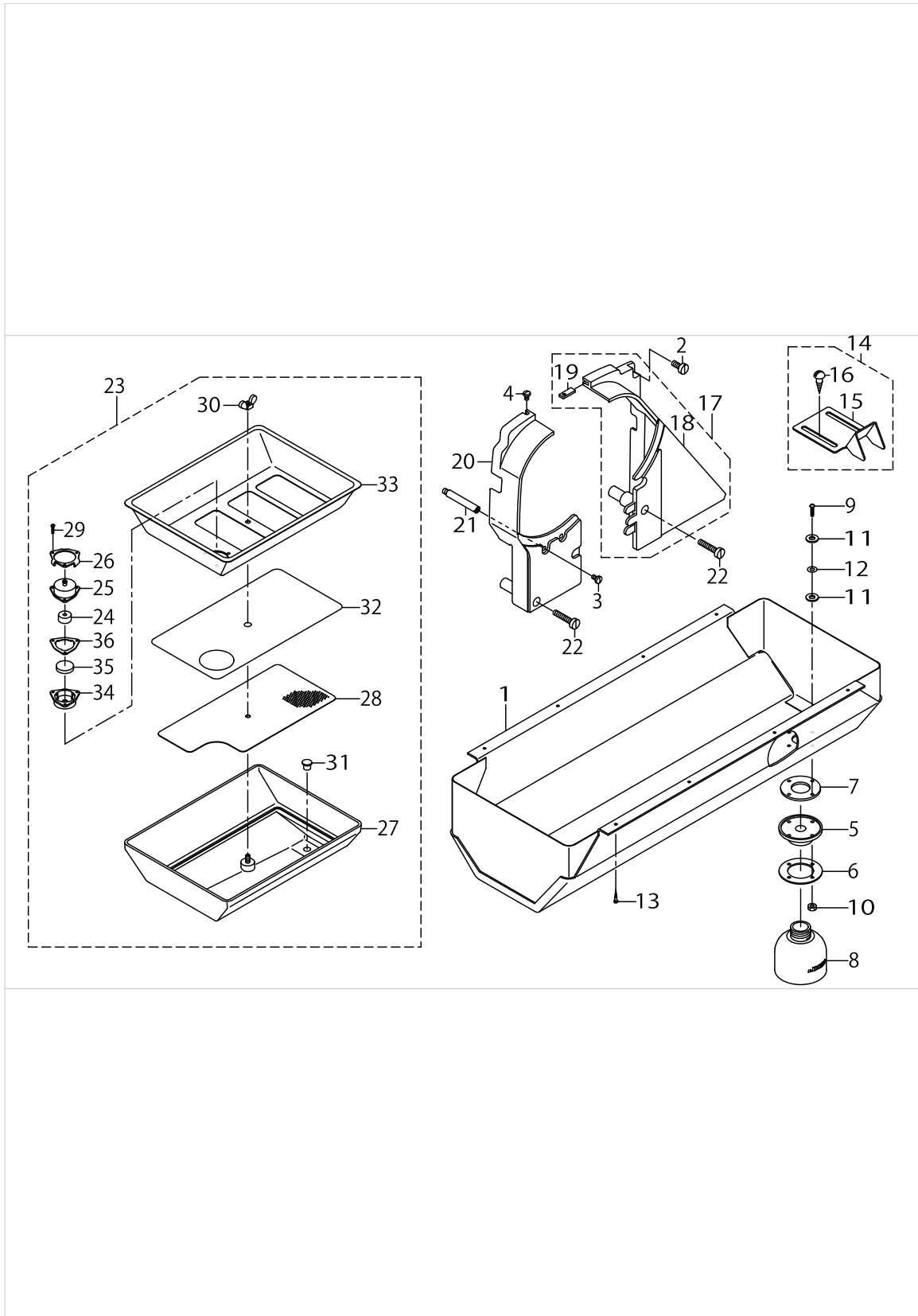
LUBRICATION COMPONENTS



LUBRICATION COMPONENTS

No.	Parts No.	Parts name	Remarks	Level	Cons	Qty
48	SS6111010TP	SCREW 11/64-40 L= 9.5				2
49	23630007	TUBE				0.36
50	23630007	TUBE				0.16
51	23630007	TUBE				0.22
52	23630007	TUBE				0.35
53	21346101	LUBRICATION FELT PRESSER				1
54	21346200	MUTUAL VERTICAL CHANGE FELT				1
55	SS7120760SP	SCREW 3/16-28 L=7.0				1
56	21346606	PIPE SUPPORT				1
57	10126803	OIL TUBE HOLDER				1
58	EA9500B0100	CABLE BAND				11
59	BT0600402EA	OIL TUBE				0.12

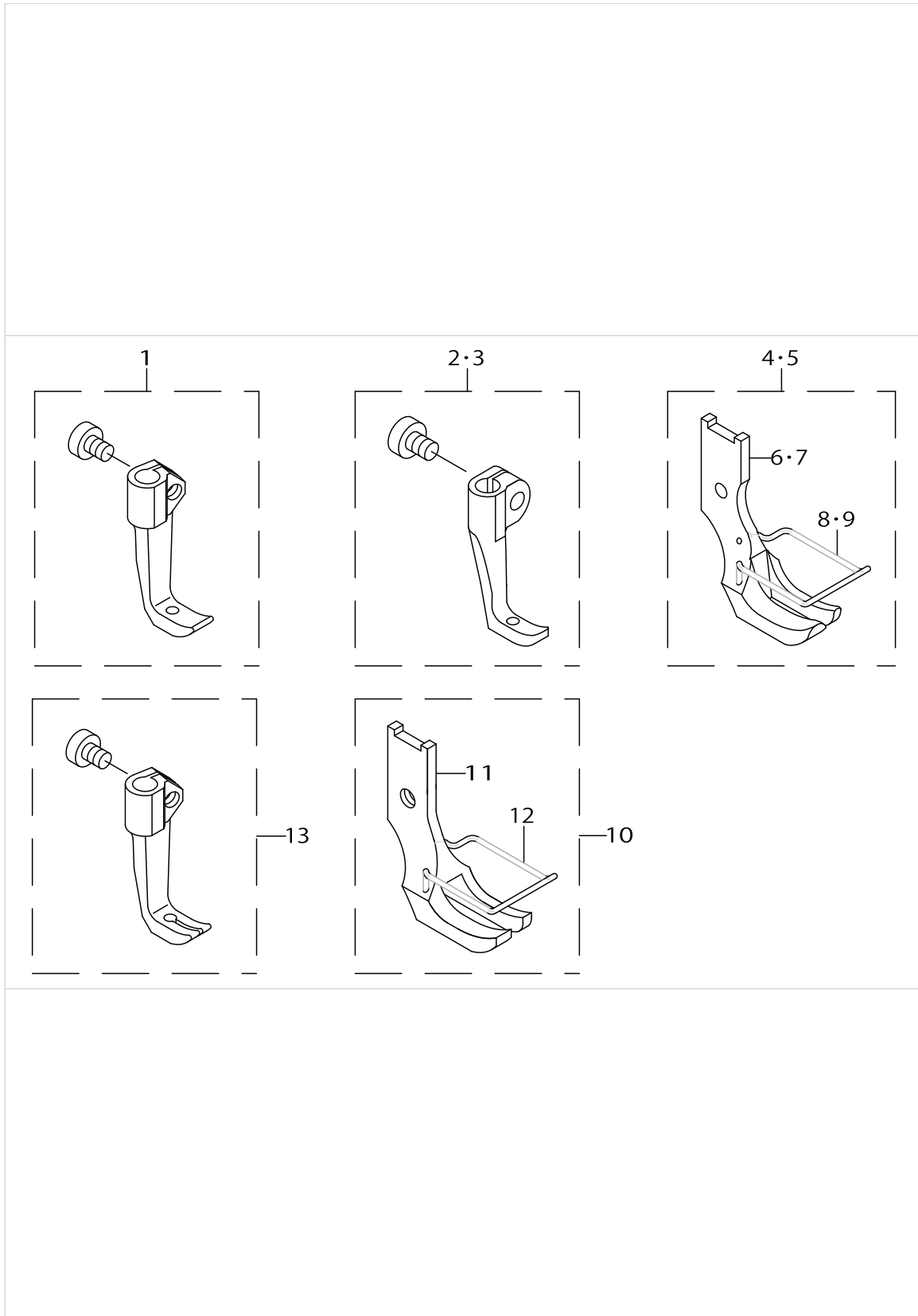
BELT COVER & OIL RESERVOIR COMPONENTS



BELT COVER & OIL RESERVOIR COMPONENTS

No.	Parts No.	Parts name	Remarks	Level	Cons	Qty
1	21351457	OIL RESERVOIR ASM.				1
2	SS6151440SP	SCREW 15/64-28 L=14				1
3	SS7110840SP	SCREW 11/64-40 L=7.8				1
4	SS5110740TP	SCREW 11/64-40 L=6.5				1
5	40025299	OIL POT JOINT				1
6	21379003	OIL MANAGEMENT WASHER				1
7	B8112220000	OIL SEAL				1
8	40025300	OIL POT				1
9	SM3031401SE	SCREW M3X0.5 L=14				4
10	NM6030001SC	NUT M3				4
11	10748101	OIL REMOVING SETSCREW PACKING				8
12	WP0320501SC	WASHER M3				4
13	SK3241601SC	WOOD SCREW D=2.4 L=16				8
14	10755254	BELT COVER C ASM. (FOR JE)				1
15	10755205	BELT COVER C(JE)		*		1
16	SK3482500SC	WOOD SCREW D=4.8 L=25		*		2
17	21351150	BELT COVER ASM. (RIGHT)				1
18	21351101	BELT COVER (RIGHT)		*		1
19	21351002	BELT COVER AUXILIARY PLATE		*		1
20	21351200	BELT COVER (LEFT)				1
21	D8232241E00	BELT COVER SUPPORT A				1
22	SS6153040SP	SCREW 15/64-28 L=30				2
23	21345350	OIL TANK ASM.				1
24	10727303	FILTER		*		1
25	10727204	FILTER CAP		*		1
26	10753002	FILTER PLATE		*		1
27	21345301	OIL TANK		*		1
28	21346804	COVER(LOWER)		*		1
29	SM6021000TP	SCREW		*		3
30	NM9050001SC	WING NUT M5X0.8		*		1
31	TA0800704R0	RUBBER PLUG		*		1
32	21346903	FILTER		*		1
33	21346705	COVER(REAR)		*		1
34	21345509	FILTER CASE		*		1
35	B8228125000	OIL RESERVOIR MAGNET		*		1
36	10739209	FILTER PACKING		*		1

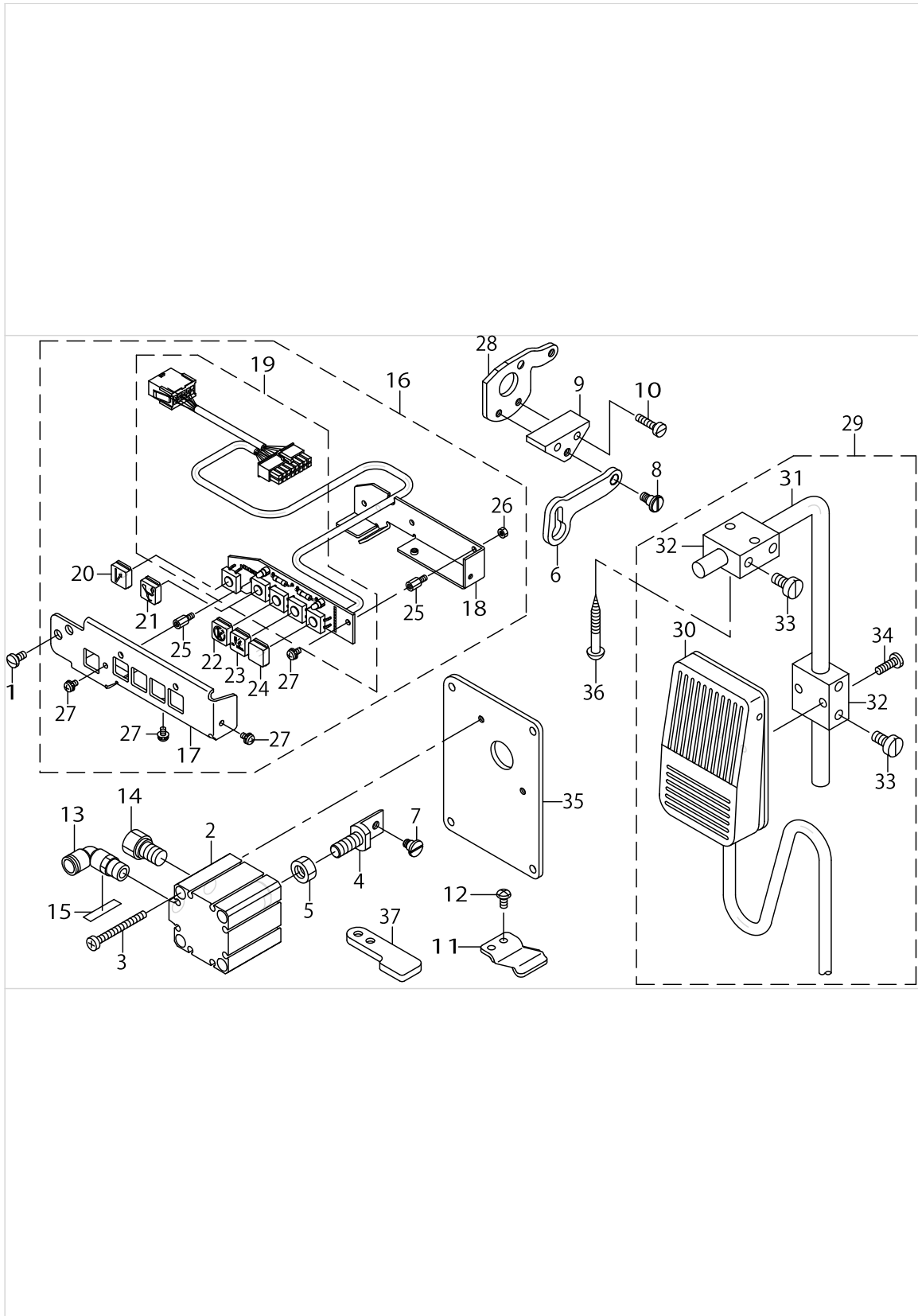
GAUGE COMPONENTS



GAUGE COMPONENTS

No.	Parts No.	Parts name	Remarks	Level	Cons	Qty
1	D1470241EA0	WALKING FOOT ASM.	TIP-DIVIDED WITHOUT TYPE (OPTION)			1
2	B14700530A0	WALKING FOOT ASM.				1
3	10711653	FEED FOOT ASM.	FOR LU-1521N-7			1
4	21350152	PRESSER FOOT ASM.				1
5	10758456	PRESSER FOOT ASM.	FOR LU-1521N-7			1
6	21350103	PRESSER FOOT		*		1
7	10758407	PRESSER FOOT	FOR LU-1521N-7	*		1
8	10337905	FINGER GUARD		*		1
9	SM6040802TP	SCREW M4X0.7 L=8	FOR LU-1521N-7	*		1
10	B1525241HA0	PRESSER FOOT ASM.	COMMON PARTS(OPTION)			1
11	B1525241H00	PRESSER FOOT		*		1
12	10337905	FINGER GUARD		*		1
13	D1470241EAA	WALKING FOOT ASM.	TIP-DIVIDED TYPE(OPTION)			1

DL MECHANISM (OPTION) COMPONENTS

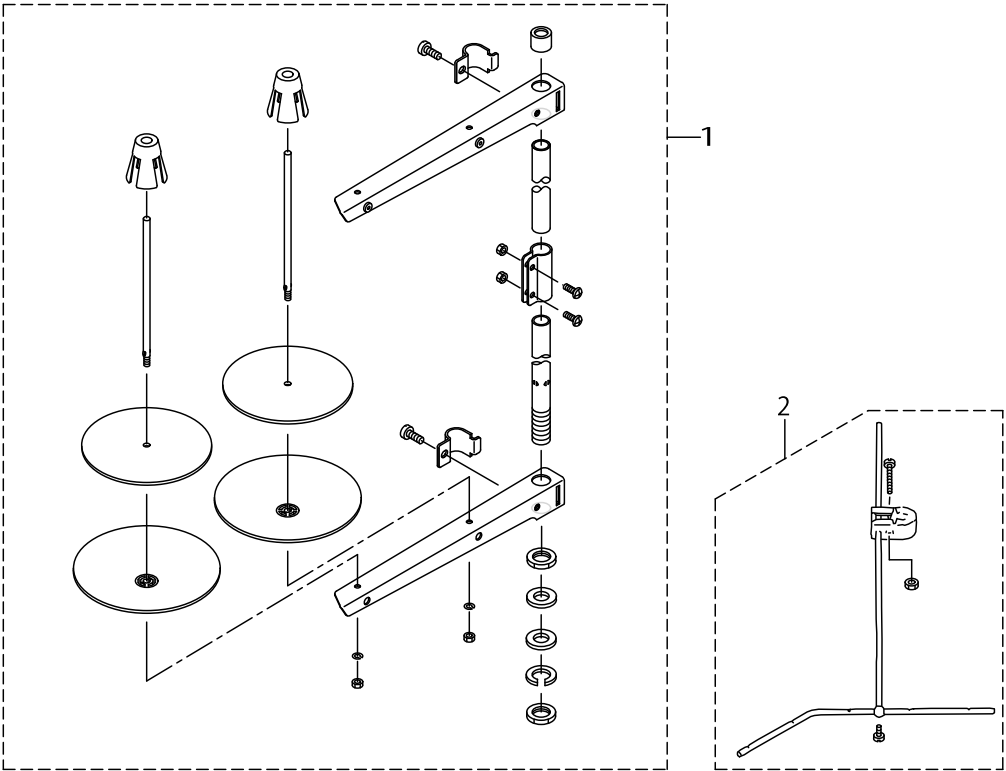


## DL MECHANISM (OPTION) COMPONENTS

No.	Parts No.	Parts name	Remarks	Level	Cons	Qty
1	SS7110840SP	SCREW 11/64-40 L=7.8				2
2	PA320200100	JIG CYLINDER				1
3	SM6044002TP	SCREW				2
4	21438403	CYLYNDER CONNECTING SCREW				1
5	NM6080721SE	NUT M8				1
6	21438502	MUTUAL VERTICAL LINK				1
7	SD0600403TP	HINGE SCREW				1
8	SD0600454TP	SHOULDER SCREW				1
9	21438601	MUTUAL VERTICAL LINK SPACER				1
10	SS6111610SP	SCREW 11/64-40 L=16				2
11	21438700	MUTUAL VERTICAL LINK SUPPORT				1
12	SS4110815SP	SCREW 11/64-40 L=8				2
13	PJ304065101	ELBOW UNION 6XPT1/8				1
14	PX015101000	MUFFLER				1
15	HX00295000C	WIRE MARK(4)				1
16	40024849	5RANGE SWITCH ASM.				1
17	21442603	SWITCH COVER		*		1
18	21442702	SWITCH CIRCUIT FITTING BASE		*		1
19	40024848	5RANGE SWITCH SUB(A) ASM.		*		1
20	21442900	KEY TOP A		*		1
21	21443007	KEY TOP B		*		1
22	21443106	KEY TOP C		*		1
23	21443205	KEY TOP D		*		1
24	21443809	KEY TOP F		*		1
25	HX00354000N	SPACER		*		4
26	NM6030001SC	NUT M3		*		3
27	SL4030631SC	SCREW M3X6		*		4
28	21438106	STOPPER PLATE B				1
29	40025036	KNEE SWITCH ASM.				1
30	40025035	KNEE SWITCH ASM.		*		1
31	MAT80231T00	DRIVING BAR, T002		*		1
32	MAT80230T00	KNEE SWITCH SUPPORT BASE		*		2
33	SS6151220SP	SCREW 15/64-28 L=11.5		*		4
34	SS7111410SP	SCREW 11/64-40 L=14		*		2
35	21437207	WINDOW PLATE F				1
36	SK3514000SC	WOOD SCREW D=5.1 L=40				2
37	21438205	UPPER FEED STOPPER PLATE				1



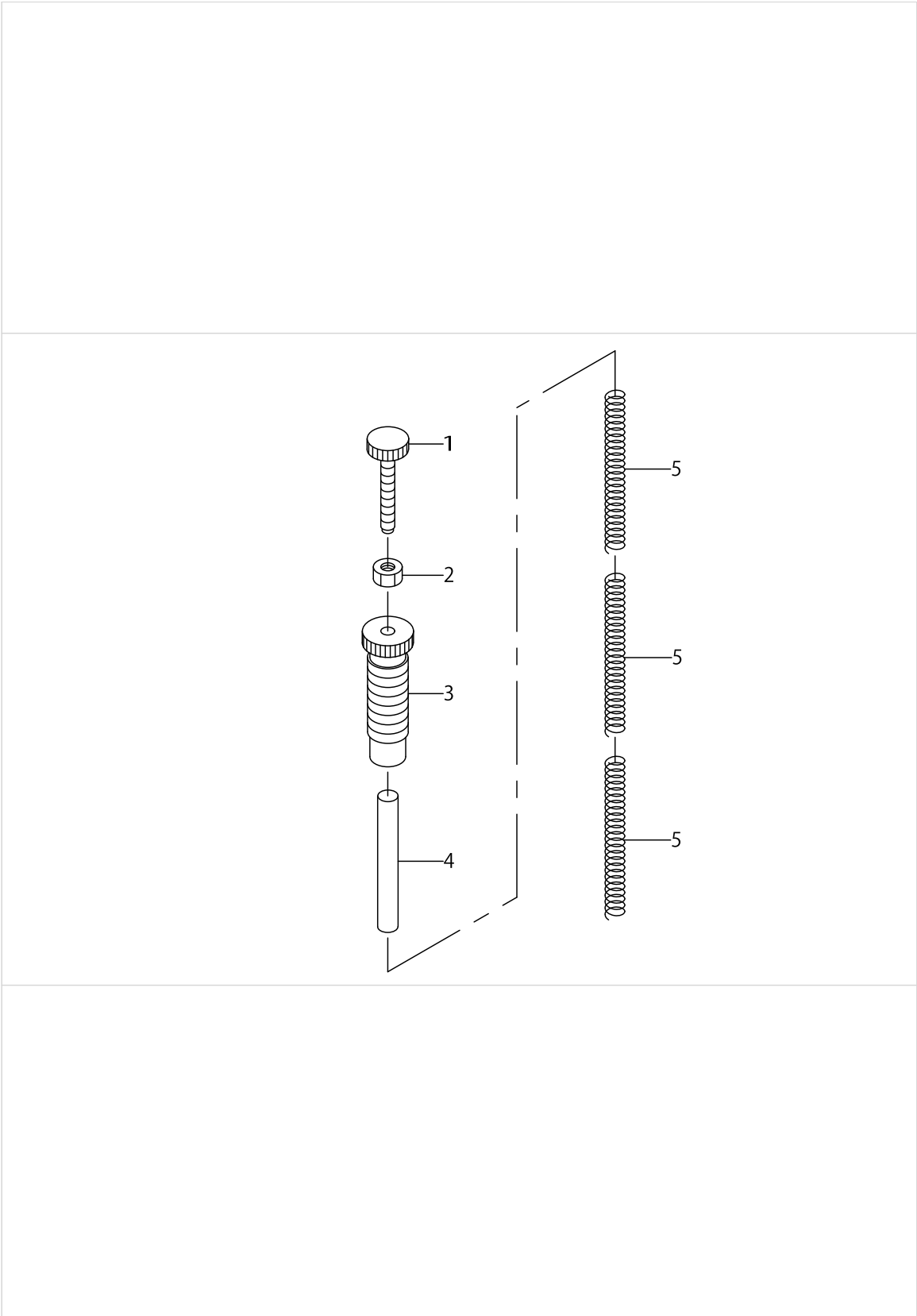
THREAD STAND COMPONENTS



THREAD STAND COMPONENTS

No.	Parts No.	Parts name	Remarks	Level	Cons	Qty
1	22930358	THREAD STAND ASM.				1
2	B33097040A0	THREAD GUIDE ARM ASM.				1

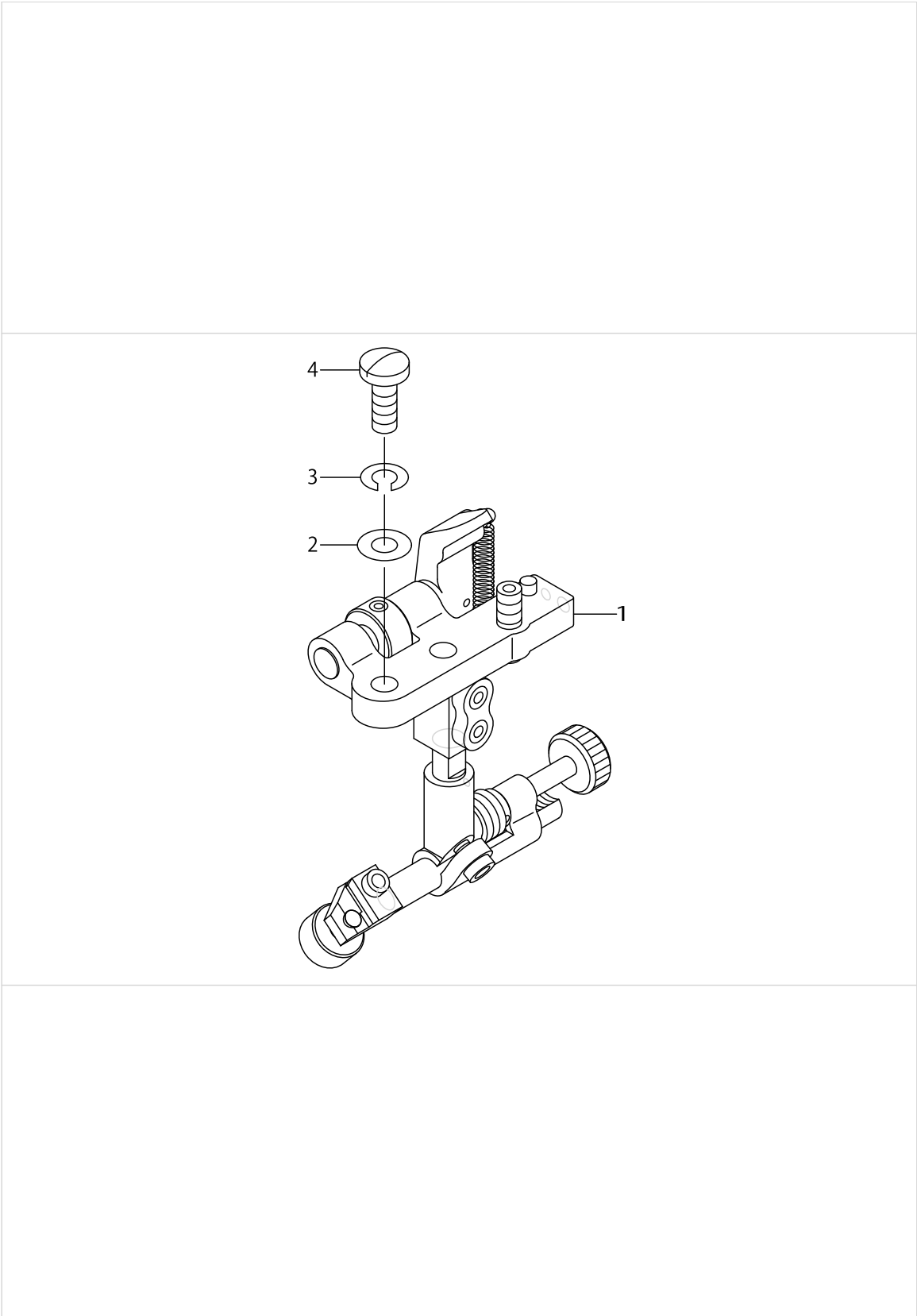
OPTIONAL PARTS (ADDITIONAL SPRING FOR PRESSER BAR) COMPONENTS



OPTIONAL PARTS (ADDITIONAL SPRING FOR PRESSER BAR) COMPONENTS

No.	Parts No.	Parts name	Remarks	Level	Cons	Qty
1	21006507	ADJUST SCREW B				1
2	NS6110530SP	NUT 11/64-40				1
3	21006408	ADJUST SCREW A				1
4	21342407	GUIDE SHAFT				1
5	21006002	ADJUST SPRING B				3

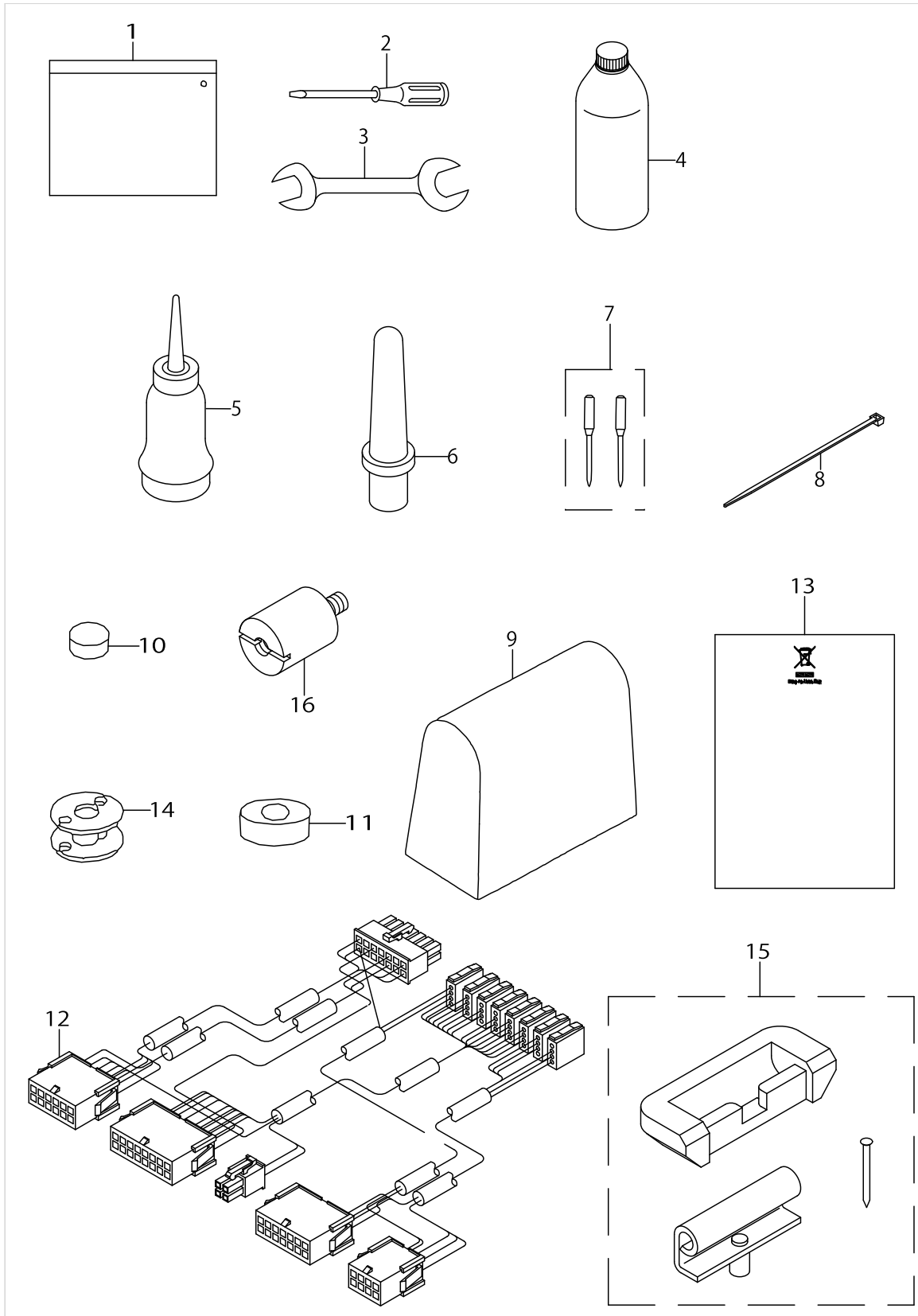
SUSPENSION SQUARE (OPTION) COMPONENTS



SUSPENSION SQUARE (OPTION) COMPONENTS

No.	Parts No.	Parts name	Remarks	Level	Cons	Qty
1	MAH152010A0	RULER				1
2	WP0621016SD	WASHER 6.2X13X1				2
3	WS0610002KN	SPRING WASHER 6.1X12.2X1.5				2
4	SS7151610SP	SCREW 15/64-28 L=16				2

ACCESSORIES PARTS COMPONENTS













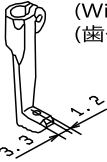

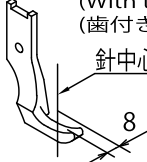


ACCESSORIES PARTS COMPONENTS

No.	Parts No.	Parts name	Remarks	Level	Cons	Qty
1	21413158	ACCESSORY BAG ASM.				1
2	22933006	SCREW DRIVER LARGE				1
3	B9113012000	WRENCH (9X10)				1
4	MDFRX2700C0	NEW DEFRIX OIL NO.2(700CC)				1
5	J1067000000	OILER				1
6	22931604	RUBBER CUSHION				1
7	M13517B1602	NEEDLE 135X17 #160-2				1
8	EA9500B0100	CABLE BAND				3
9	22933303	VINYL COVER				1
10	B8206012000	FELT CUSHION				4
11	B8209012000	RUBBER CUSHION				4
12	40024864	RELAY CORD E ASM.				1
13	CM600100201	WEEE INFORMATION SHEET				1
14	21334800	ALUMINUM BOBBIN WITH KNURL	COMPLETE SET DELIVERY ONLY			1
15	21413257	RUBBER HINGE ASM.				1
16	40101368	PANEL STUD				2



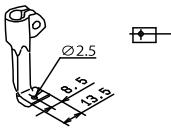

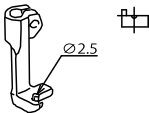
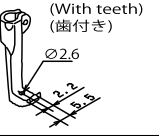
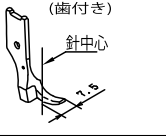
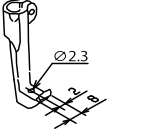
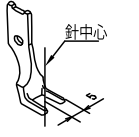
OPTIONAL PARTS (1)(FOR LU-1520N-7)

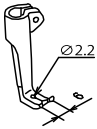
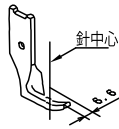
Item	Walking foot		Item	Presser foot				
	品名	中足		品名	外足			
For piping パイピング用	 (Commonly used for every size of presser foot) (各サイズ共用)		 	Ref.No.	Part No.	Size(mm)	Ref.No.	Part No.
				1	B1478-245-000	4.4mm(5/32)	12	B1530-245-0AC
						4.8mm(3/16)	13	B1530-245-0AD
						6.4mm(1/4)	14	B1530-245-0AF
						7.9mm(5/16)	15	B1530-245-0AH
						9.5mm(3/8)	16	B1530-245-0AK
	 	 	Size(mm)	Ref.No.	Part No.	Size(mm)	Ref.No.	Part No.
			4.4mm(5/32)	2	B1478-245-000	4.4mm(5/32)	17	B1531-245-0AC
			4.8mm(3/16)	3	B1479-245-00D	4.8mm(3/16)	18	B1531-245-0AD
			6.4mm(1/4)	4	B1479-245-00F	6.4mm(1/4)	19	B1531-245-0AF
7.9mm(5/16)			5	B1479-245-00H	7.9mm(5/16)	20	B1531-245-0AH	
9.5mm(3/8)					9.5mm(3/8)			
 	 	Size(mm)	Ref.No.	Part No.	Size(mm)	Ref.No.	Part No.	
		4.4mm(5/32)	6	B1474-245-00C	4.4mm(5/32)	21	B1527-245-0AC	
		4.8mm(3/16)	7	B1474-245-00D	4.8mm(3/16)	22	B1527-245-0AD	
		6.4mm(1/4)	8	B1474-245-00F	6.4mm(1/4)	23	B1527-245-0AF	
		7.9mm(5/16)	9	B1474-245-00H	7.9mm(5/16)	24	B1527-245-0AH	
		9.5mm(3/8)	10	B1474-245-00K	9.5mm(3/8)	25	B1527-245-0AK	
 (With teeth) (歯付き)		 (With teeth) (歯付き) 針中心	Ref.No.	Part No.	Ref.No.	Part No.		
			11	103-38309	26	B1525-563-SA0		

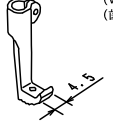
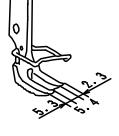
OPTIONAL PARTS (1)(FOR LU-1520N-7)

No.	Parts No.	Parts name	Remarks	Level	Cons	Qty
1	B1478245000	INNER PRESSER				1
2	B1478245000	INNER PRESSER				1
3	B147924500D	CENTER PRESSER FOOT 3/16				1
4	B147924500F	BACK CUT INNER PRESSER 1/4				1
5	B147924500H	BACK CUT INNER PRESSER 5/16				1
6	B147424500C	INNER PRESSER 5/32				1
7	B147424500D	INNER PRESSER (BLADE) 3/16				1
8	B147424500F	WALKING FOOT F				1
9	B147424500H	INNER PRESSER 5/16				1
10	B147424500K	CENTER PRESSER FOOT 3/8				1
11	10338309	UPPER FEED FOOT				1
12	B15302450AC	OUTER PRESSER ASM. 5/32				1
13	B15302450AD	OUTER PRESSER FOOT ASM. 3/16.				1
14	B15302450AF	OUTER PRESSER FOOT 1/4 ASM.				1
15	B15302450AH	OUTER PRESSER FOOT ASM. (5/16)				1
16	B15302450AK	OUTER PRESSER FOOT ASM. (3/8)				1
17	B15312450AC	OUTER PRESSER ASM. 5/32				1
18	B15312450AD	OUTER PRESSER FOOT ASM. 3/16				1
19	B15312450AF	OUTER PRESSER ASM. 1/4				1
20	B15312450AH	FEEDING FRAME 5/16 ASM.				1
21	B15272450AC	OUTER PRESSER FOOT ASM. 5/32				1
22	B15272450AD	FEEDING FRAME 3/16 ASM.				1
23	B15272450AF	OUTER PRESSER ASM. 1/4				1
24	B15272450AH	OUTER PRESSER FOOT ASM. 5/16				1
25	B15272450AK	OUTER PRESSER FOOT ASM. 3/8				1
26	B1525563SA0	PRESSER FOOT ASM.				1

OPTIONAL PARTS (2)(FOR LU-1520N-7)

Item 品名	Walking foot 中足	Presser foot 外足
		
Ref.No.	1	5
Part No.	MAQ-09307000	MAQ-093080A0
		/
Ref.No.	2	
Part No.	MAN-10452000	
		
Ref.No.	3	6
Part No.	B1476-245-00A	B1529-245-0AA
		
Ref.No.	4	7
Part No.	103-25306	103-25157













Item 品名	Walking foot 中足	Presser foot 外足
		
Ref.No.	8	9
Part No.	B1470-245-000	B1524-245-0A0









Item 品名	Walking foot 中足	Presser foot 外足
		
Ref.No.	10	11
Part No.	B1470-562-BA0	B1525-562-BA0

OPTIONAL PARTS (2)(FOR LU-1520N-7)

No.	Parts No.	Parts name	Remarks	Level	Cons	Qty
1	MAQ09307000	WALKING FOOT				1
2	MAN10452000	UPPER FEED FOOT				1
3	B147624500A	INNER PRESSER				1
4	10325306	WALKING FOOT				1
5	MAQ093080A0	PRESSER FOOT ASM.				1
6	B15292450AA	OUTER PRESSER FOOT ASM. RIGHT				1
7	10325157	PRESSER FOOT ASM.				1
8	B1470245000	WALKING FOOT				1
9	B15242450A0	PRESSER FOOT ASM.				1
10	B1470562BA0	WALKING FOOT ASM.				1
11	B1525562BA0	PRESSER FOOT ASM.				1

OPTIONAL PARTS (3)(FOR LU-1521N-7)

Walking foot 上送り足										
			Ref.No	Part No.	Ref.No	Part No.	Ref.No	Part No.	Ref.No	Part No.
Presser foot 押え足			1	107-11653	2	107-11752	3	107-11851	4	107-11950
	15	107-12552	—		—		—		—	
	16	107-58456	Standard 標準 		—		—		—	
	17	107-12651	 *02		—		—		—	
	18	107-12750	 *03		 *04		—		—	

Walking foot 上送り足							 *01			
			Ref.No	Part No.	Ref.No	Part No.	Ref.No	Part No.	Ref.No	Part No.
Presser foot 押え足			5	107-45354	9	107-46352	13	107-12354	14	107-12057
			6	107-45453	10	107-46451				
			7	107-45552	11	107-46550				
			8	107-45651	12	107-46659				
	15	107-12552	—		—		○		—	
	16	107-58456	—		—		○		—	
	17	107-12651	—		—		○		—	
	18	107-12750	—		—		—		—	

\*01...Without groove.

溝無しタイプ

To be used when the thread cannot be grasped at the sewing start.

縫い始めに糸が絡みにくい時に使用

\*02...For overlapped sections of material.

段部用

To be used when overlapped sections cannot be smoothly fed.

段部での乗り越えが悪い時に使用

\*03...For light-weight sponge.

薄いスポンジ用

To be used for resilient materials such as sponge.

スポンジ等の弾力性の有る素材に使用

\*04...For heavy-weight sponge.

厚いスポンジ用

















To be used for further resilient materials.

より弾力性の有る素材に使用

OPTIONAL PARTS (3)(FOR LU-1521N-7)

No.	Parts No.	Parts name	Remarks	Level	Cons	Qty
1	10711653	FEED FOOT ASM.				1
2	10711752	FEEDING FOOT (URETHANE)				1
3	10711851	FEEDING FOOT ASM. RIGHT				1
4	10711950	FEEDING FOOT ASM. LEFT				1
5	10745354	FEEDING FOOT (PIPING) 3MM				1
6	10745453	FEEDING FOOT (PIPING) 4MM				1
7	10745552	FEEDING FOOT (PIPING) 5MM				1
8	10745651	FEEDING FOOT (PIPING) 6MM				1
9	10746352	FEEDING FOOT (PIPING) 3MM ADJUSTABLE				1
10	10746451	FEEDING FOOT (PIPING) 4MM ADJUSTABLE				1
11	10746550	FEEDING FOOT (PIPING) 5MM ADJUSTABLE				1
12	10746659	FEEDING FOOT (PIPING) 6MM ADJUSTABLE				1
13	10712354	FEED FOOT ASM.				1
14	10712057	FEED FOOT ASM.				1
15	10712552	PRESSER FOOT ASM.				1
16	10758456	PRESSER FOOT ASM.				1
17	10712651	PRESSER FOOT ASM				1
18	10712750	PRESSER FOOT URETHANE				1

OPTIONAL PARTS (4)(FOR LU-1521N-7)

Walking foot 上送り足															 *01				
			Ref.No	Part No.	Ref.No	Part No.	Ref.No	Part No.	Ref.No	Part No.	Ref.No	Part No.	Ref.No	Part No.	Ref.No	Part No.	Ref.No	Part No.	Ref.No
Presser foot 押え足			1	107-11653	2	107-11752	3	107-11851	4	107-11950	5	107-45354	9	107-46352	13	107-12354	14	107-12057	
			6	107-45453	10	107-46451													
			7	107-45552	11	107-46550													
			8	107-45651	12	107-46659													
	15	107-12859	—	—	 *02	—	—	—	—	—	—	—	—	—	—	—	—	—	
	16	107-12958	—	—	—	 *03	—	—	—	—	—	—	—	—	—	—	—	—	
	17	107-47350	—	—	—	—	—	—	 *04	Adjustable 調製式  *05	—	—	—	—	—	—	—	—	
	18	107-47459																	
	19	107-47558																	
	20	107-47657																	
	21	107-13055	—	—	—	—	—	—	—	—	—	—	—	—	—	—	—	—	*06

\*01...Without groove.

溝無しタイプ

To be used when the thread cannot be grasped at the sewing start.

縫い始めに糸が絡みにくい時に使用

\*02...Right-edge presser.

右片押え

To be used to sew edges of material.

エッジを縫製する場合に使用

\*03...Left-edge presser.

左片押え

To be used to sew edges of material.

エッジを縫製する場合に使用

\*04...For piping.

パイピング用

To be used for general piping processes.

一般のパイピング工程に使用

\*05...For piping.

パイピング用

Permits adjustment of the needle position with respect to the pipe.

パイプに対する針の位置が調整出来ます。

\*06...Wide type.

幅広タイプ

To be used when a sewing product cannot be smoothly fed.

縫製物の送りが悪い場合に使用

OPTIONAL PARTS (4)(FOR LU-1521N-7)

No.	Parts No.	Parts name	Remarks	Level	Cons	Qty
1	10711653	FEED FOOT ASM.				1
2	10711752	FEEDING FOOT (URETHANE)				1
3	10711851	FEEDING FOOT ASM. RIGHT				1
4	10711950	FEEDING FOOT ASM. LEFT				1
5	10745354	FEEDING FOOT (PIPING) 3MM				1
6	10745453	FEEDING FOOT (PIPING) 4MM				1
7	10745552	FEEDING FOOT (PIPING) 5MM				1
8	10745651	FEEDING FOOT (PIPING) 6MM				1
9	10746352	FEEDING FOOT (PIPING) 3MM ADJUSTABLE				1
10	10746451	FEEDING FOOT (PIPING) 4MM ADJUSTABLE				1
11	10746550	FEEDING FOOT (PIPING) 5MM ADJUSTABLE				1
12	10746659	FEEDING FOOT (PIPING) 6MM ADJUSTABLE				1
13	10712354	FEED FOOT ASM.				1
14	10712057	FEED FOOT ASM.				1
15	10712859	FEEDING FOOT RIGHT				1
16	10712958	PRESSER FOOT LEFT				1
17	10747350	PRESSER FOOT (PIPING) 3MM				1
18	10747459	PRESSER FOOT (PIPING) 4MM				1
19	10747558	PRESSER FOOT (PIPING) 5MM				1
20	10747657	PIPING FOOT 6MM				1
21	10713055	FEED FOOT ASM.				1





## HOW TO MAKE USE OF THIS PARTS LIST

### 1.Explanation of codes

1)"\*"mark.....means this part is changed from the previous parts book.

As to the details of the change, refer to the "List for information of change".

2)"#01".....refer to "Note" explanation at bottom of page.

### 2.Codes on the "Qty" column

• Each numeral indicates the number of parts required.

• "0.1" and "2.5" indicate the length (in meters) of the respective parts.

3.Parentheses mean that the corresponding part is a subpart that constructs an assembly part.

4.Dotted lines on the Figures indicate assembly parts.

### 1."注記"欄の記号説明

1) "\*"印.....前回のパーツブックに比較して今回変更された部品を意味します。

変更内容は、"変更情報リスト"を参照してください。

2) "#01".....ページ下の"注記"の説明を参照してください。

2.数量欄の数字は、個数を表し、0.1、2.5等の数値は、長さ（単位メートル）を表します。

3.数量欄の（ ）は、組部品を構成している子部品であることを意味します。

4.イラストページの-----枠は、組構成であることを意味します。

# NUMERICAL INDEX OF PARTS

PART NO	PAGE	REF NO.	PART NO	PAGE	REF NO.	PART NO	PAGE	REF NO.
10107902	18	3	10712057	70	14	10747558	70	19
10109700	22	13·45~ 52	10712354	68	13	10747657	70	20
10109809	22	13·45~ 52	10712354	70	13	10748101	50	11
10109908	22	16	10712552	68	15	10753002	50	26
10110906	22	13·45~ 52	10712651	68	17	10753150	4	39·57
10111003	24	13·45~ 52	10712750	68	18	10755205	50	15
10111102	22	13·45~ 52	10712859	70	15	10755254	50	14
10111201	24	13·45~ 52	10712958	70	16	10758407	52	6·7
10112407	22	17	10713055	70	21	10758456	52	4·5
10112506	24	13·45~ 52	10713501	14	75	10758456	68	16
10112605	24	13·45~ 52	10713808	14	83	10774305	14	58
10112704	24	13·45~ 52	10714202	14	70	10774354	14	57
10124204	32	13	10714509	14	84	10774404	14	59
10126803	48	57	10714608	14	85	11045101	32	15
10201200	4	53	10714608	36	7	11072402	32	16
10205201	18	20	10715001	14	61	11956802	32	12
10320109	32	3	10715100	14	60	12966800	36	23
10321107	32	24~26	10715308	14	66	13138201	32	8
10325157	66	7	10715704	14	62	13765607	46	43
10325306	66	4	10716504	14	76	14512503	38	17
10337905	52	12	10718203	14	69	17912106	2	26
10338309	64	11	10727204	50	25	21006002	58	5
10502300	38	21	10727303	50	24	21006408	58	3
10509701	12	22	10727907	26	22	21006507	58	1
10604809	6	6	10732204	2	15	21048707	14	88
10618304	38	8	10739209	50	36	21331301	2	4
10701654	4	58	10741106	32	14	21332002	2	13
10701902	4	38·56	10745354	68	5	21332507	6	13
10704807	38	19	10745354	70	5	21332705	6	1
10711653	52	2·3	10745453	68	6	21333000	6	2
10711653	68	1	10745453	70	6	21333109	6	18
10711653	70	1	10745552	68	7	21333208	6	3
10711752	68	2	10745552	70	7	21333307	6	29
10711752	70	2	10745651	68	8	21333604	22	25
10711851	68	3	10745651	70	8	21333901	6	44
10711851	70	3	10746352	68	9	21334701	22	15
10711950	68	4	10746352	70	9	21334800	22	24
10711950	70	4	10746451	68	10	21334800	62	14
10712057	68	14	10746451	70	10	21334909	22	2
			10746550	68	11	21335500	22	6
			10746550	70	11	21335708	22	7
			10746659	68	12	21335807	22	10·53
			10746659	70	12	21336300	20	60
			10747350	70	17	21336607	20	49
			10747459	70	18	21336656	20	48

# NUMERICAL INDEX OF PARTS

PART NO	PAGE	REF NO.	PART NO	PAGE	REF NO.	PART NO	PAGE	REF NO.
21336805	18	41	21346002	46	18	21378302	12	5
21337209	18	38	21346101	48	53	21378302	18	13
21337308	18	33	21346200	48	54	21378401	22	14
21337407	18	26	21346309	46	6	21378708	38	29
21337506	18	23	21346358	46	5	21378906	20	54
21337605	18	35	21346408	46	8	21379003	50	6
21337704	18	24	21346507	46	7	21387402	6	25
21337803	14	92	21346606	48	56	21387501	6	31
21337803	18	27	21346705	50	33	21387600	6	34
21337902	18	31	21346804	50	28	21387709	6	33
21338306	18	29	21346903	50	32	21387808	6	38
21338405	10	32·34	21347000	46	14	21387907	6	30
21338504	10	3·36	21347109	12	13	21388004	20	66
21338603	10	18	21347208	46	16	21388400	10	16
21338801	10	20	21347406	10	30	21388509	40	6
21338900	10	22	21348206	32	24~26	21388608	30	26
21339007	10	28	21348503	30	6	21392907	4	50
21339056	10	27	21348602	30	4	21393004	2	18
21339106	6	8	21349105	30	29	21393103	8	58
21339304	10	25	21349600	2	38·56	21393152	8	57
21339601	14	71	21349808	2	39·57	21393400	18	2
21339700	14	73	21350103	52	6·7	21393459	18	1
21339809	14	79	21350152	52	4·5	21393509	22	26
21340005	14	87	21351002	50	19	21393608	22	1
21340302	14	90	21351101	50	18	21393756	22	23
21340401	12	1	21351150	50	17	21394002	26	37·38
21340500	12	2	21351200	50	20	21394101	26	12
21340708	46	10	21351457	50	1	21394200	28	48
21340906	14	51	21353008	6	23	21394309	26	13
21341151	12	46·56	21355706	38	24	21394408	26	36
21341508	14	68	21355755	38	23	21394507	26	20
21341607	14	65	21355805	2	20	21394606	26	32
21342407	58	4	21355904	36	30	21394705	26	39
21343207	2	16	21356001	38	7	21394804	26	15
21345103	46	34	21356308	40	11	21394903	26	41
21345202	46	36	21356407	40	12	21395009	26	9
21345301	50	27	21356506	40	3	21395058	26	6
21345350	50	23	21356704	40	9	21395108	26	24
21345509	50	34	21356803	40	7	21395207	26	25
21345608	46	25	21357959	38	3	21395306	26	44
21345657	46	23	21357967	38	1	21395405	28	55
21345707	46	2	21358205	38	9	21395504	28	53
21345756	46	1	21363106	34	3	21395603	28	59
21345806	46	3	21364104	18	10	21395702	26	42
21345905	46	4	21378153	22	31·33	21395801	26	1

NUMERICAL INDEX OF PARTS

PART NO	PAGE	REF NO.	PART NO	PAGE	REF NO.	PART NO	PAGE	REF NO.
21395900	26	4	21441050	32	2	22912109	18	47
21396007	26	7	21441068	32	1	22917009	26	18
21396502	36	2	21441100	32	17	22930358	56	1
21396551	36	1	21441209	34	7	22931604	62	6
21396601	36	3	21441308	34	8	22933006	62	2
21396700	36	5	21441407	34	1	22933303	62	9
21396809	36	6	21442603	54	17	22945505	38	27
21396908	36	17	21442702	54	18	22945703	38	30
21396957	36	16	21442900	54	20	22951552	2	7
21397005	36	18	21443007	54	21	22952501	30	18
21397104	36	20	21443106	54	22	23002009	10	1·33
21397203	36	21	21443205	54	23	23006406	32	24~26
21397302	36	32	21443809	54	24	23007107	14	24·94
21397401	36	22	21451505	14	35·54	23630007	46	52
21397500	36	37	21451752	14	46·56	23630007	48	52
21397559	36	35	21452008	24	10·53	23636202	38	5
21397567	36	34	21455407	26	37·38	26225201	12	29
21398300	30	8	21455605	4	36·55	26226209	30	16
21398409	30	32	22537658	38	2	40009103	20	50
21398508	30	36	22538151	38	4	40016148	8	55
21399001	20	53·67·68	22538409	38	6	40016798	2	1
21399100	20	53·67·68	22538706	38	32	40018339	12	16
21399209	20	53·67·68	22602601	4	49	40018340	12	37
21399506	2	36·55	22604300	8	67	40018341	12	23
21399605	2	30	22606206	8	56	40019926	18	36
21402300	6	27	22609408	18	12	40023289	26	45
21405204	10	2	22611701	22	44	40023289	30	17
21406103	14	48	22611909	22	42	40024848	54	19
21406509	12	28·95	22617906	32	9	40024849	54	16
21406608	14	49	22618201	32	7	40024852	12	31
21408505	2	25	22619100	4	52	40024855	6	4
21408554	2	24	22656003	30	14	40024859	42	9
21413158	62	1	22656102	30	12	40024860	44	9
21413257	62	15	22814909	10	11	40024864	62	12
21430400	18	42	22814909	12	33	40024967	42	8
21437108	2	8	22877609	2	47	40024968	44	8
21437207	54	35	22901805	2	45	40025035	54	30
21437306	2	6	22904106	12	7	40025036	54	29
21438007	16	28·95	22904106	18	18	40025299	50	5
21438106	54	28	22904155	12	6	40025300	50	8
21438205	54	37	22904155	18	17	40027746	10	26
21438403	54	4	22907109	14	36·55	40033026	12	12
21438502	54	6	22907604	12	43	40033027	12	11
21438601	54	9	22911804	18	44	40033029	12	19
21438700	54	11	22912000	18	46	40033030	12	24·94

# NUMERICAL INDEX OF PARTS

PART NO	PAGE	REF NO.	PART NO	PAGE	REF NO.	PART NO	PAGE	REF NO.
40033031	12	40·41	B1411053000	10	8·35	B15302450AK	64	16
40033032	12	38·39	B14110570A0	10	8·35	B15312450AC	64	17
40033034	12	40·41	B1412051000	10	10	B15312450AD	64	18
40033035	12	38·39	B1412051000	46	19	B15312450AF	64	19
40038692	8	65	B1414232000	10	23	B15312450AH	64	20
40038700	8	50	B1414555000	12	21	B1604012000A	18	7
40038702	8	51	B1418141H00	10	3·36	B1610512000	18	39
40038722	42	1	B1420563000	10	1·33	B1612206000	26	46
40038722	44	1	B1437051000	10	6	B1639051000	6	46
40038723	42	3	B1462053000	12	47	B18035150A0	22	29
40038723	44	3	B14670530A0	12	25	B1816051000	22	40
40039326	12	4	B1467563000	10	14	B1817051000	22	35·54
40042611	24	35·54	B1468053000	12	26	B1821051000	22	3
40056364	30	23	B14700530A0	52	2·3	B1834512000A	22	21
40056365	30	22	B1470245000	66	8	B1840051000	22	31·33
40056366	30	21	B1470562BA0	66	10	B1906051000	6	5
40062388	34	5	B147424500C	64	6	B3025141H00A	18	15
40064409	46	38	B147424500D	64	7	B3120125000	32	11
40064517	42	14	B147424500F	64	8	B3125012000	32	6
40064517	44	13	B147424500H	64	9	B3128520000	32	4
40075553	14	81	B147424500K	64	10	B3129526000	32	10
40101351	26	17	B147624500A	66	3	B31375270A0	32	5
40101368	62	16	B1478245000	64	2	B3138512000	2	32
40104367	8	48	B147924500D	64	3	B3205210000	38	10
40108541	20	57	B147924500F	64	4	B33097040A0	56	2
40113092	38	28	B147924500H	64	5	B3416552000	14	77
40113224	6	36	B1501241H00	12	35·54	B3520586000	46	24
40143083	6	26	B1502246000	12	44	B3524552000	46	46
40152631	2	3	B1510155000	12	36·55	B3534155000	46	44
40162860	22	38	B15242450A0	66	9	B3538112000	46	41
40197296	6	21	B1525241H00	52	11	B8112220000	50	7
A407855000A	46	20	B1525241HA0	52	10	B8206012000	62	10
B1111563000	2	34	B1525562BA0	66	11	B8209012000	62	11
B1129051000	2	22	B1525563SA0	64	26	B8228125000	50	35
B1132521000	2	27	B152652700G	14	63	B9113012000	62	3
B1148555000	38	11	B15272450AC	64	21	BT0400251EB	28	63
B1210051000	6	11	B15272450AD	64	22	BT0400251EB	42	24
B1214019000	6	32	B15272450AF	64	23	BT0400251EB	44	24
B1214038000	46	45	B15272450AH	64	24	BT0600401EB	28	62
B1308055000	6	35	B15272450AK	64	25	BT0600401EB	42	26
B1310055000	6	37	B15292450AA	66	6	BT0600401EB	44	27
B1313055000	6	47	B15302450AC	64	12	BT0600402EA	48	59
B1314055000	6	39	B15302450AD	64	13	CM300200001	2	43
B1401246000	10	32·34	B15302450AF	64	14	CM300200001	40	13
B1410771000	10	24	B15302450AH	64	15	CM301300001	2	41

NUMERICAL INDEX OF PARTS

PART NO	PAGE	REF NO.	PART NO	PAGE	REF NO.	PART NO	PAGE	REF NO.
CM600100201	62	13	HK034610120	34	14	MAN10452000	66	2
CQ202000000	6	19	HK034610160	42	13	MAQ09307000	66	1
CQ202000000	10	4	HK03464000A	30	27	MAQ093080A0	66	5
CQ202000000	18	51	HK03464000A	34	6	MAT80230T00	54	32
CQ202000000	20	51	HK03464000A	42	15	MAT80231T00	54	31
CQ202000000	22	9	HK03464000A	44	14	MDFRX2700C0	62	4
CQ202000000	46	15	HX00123000A	2	46	NM6030001SC	50	10
CQ252000000	14	82	HX00123000A	6	16	NM6030001SC	54	26
CQ252000000	46	31	HX00123000A	34	13	NM6040001SC	26	29
CQ3000000F0	12	15	HX002950000	30	39	NM6040001SN	34	10
CQ303000000	6	9	HX002950000	42	27	NM6060003SC	30	5
CQ505000000	6	12	HX002950000	44	28	NM6080001SE	40	4
CS0800816SH	36	8	HX00295000A	30	40	NM6080003SC	30	37
CS1201010SH	20	62	HX00295000A	42	28	NM6080721SE	54	5
CS1201011SH	20	63	HX00295000A	44	29	NM7040062SB	34	11
D1470241EA0	52	1	HX00295000B	28	64	NM9050001SC	50	30
D1470241EAA	52	13	HX00295000B	42	29	NS6110310SP	32	20
D2112555B00	2	10	HX00295000B	44	30	NS6110310SP	38	26
D3162555B00	32	21	HX00295000C	28	65	NS6110420SP	22	22
D3162555B00	38	25	HX00295000C	42	30	NS6110530SP	58	2
D6009555D0A	36	36	HX00295000C	44	31	NS6150310SP	20	59
D8232241E00	50	21	HX00295000C	54	15	NS6150430SP	16	96
EA9500B0000	12	14	HX00295000D	36	29	NS6150430SP	26	47
EA9500B0000	46	9	HX00295000D	42	31	NS6150430SP	30	10
EA9500B0100	4	60	HX00295000D	44	32	NS6680320SP	18	22
EA9500B0100	10	31	HX00295000E	36	13	PA0600502A0	36	19
EA9500B0100	12	34	HX00295000E	42	32	PA0600505A0	28	57
EA9500B0100	30	25	HX00295000E	44	33	PA1601528A0	26	26
EA9500B0100	36	38	HX00295000F	40	15	PA1601528A0	36	4
EA9500B0100	42	17	HX00295000F	42	33	PA320100300	30	31
EA9500B0100	46	58	HX00295000F	44	34	PA320150200	30	1
EA9500B0100	48	58	HX00295000G	40	16	PA320200100	54	2
EA9500B0100	62	8	HX00295000G	42	34	PA400150100	40	1
GAK29009000	42	5	HX00295000G	44	35	PF0552170A0	42	2
GAK29009000	44	5	HX00295000H	44	36	PF0552170A0	44	2
GAK29010000	42	11	HX00295000J	28	66	PJ032052503	28	58
GAK29010000	44	11	HX00295000J	42	35	PJ301060504	26	27
GAK29011000	42	4	HX00295000J	44	17	PJ301065104	30	20
GAK29011000	44	4	HX00354000N	54	25	PJ304040504	36	28
GAKA1503000	42	16	J1067000000	62	5	PJ304045102	42	12
GAKA1503000	44	16	M13517B1600	10	13	PJ304045102	44	12
GAKA2402A00	42	10	M13517B1602	62	7	PJ304065101	30	38
GAKA2402B00	44	10	M40071100AA	8	60	PJ304065101	40	10
GTS01037000	30	24	M40071100AB	8	61	PJ304065101	54	13
HK034610100	44	15	MAH152010A0	60	1	PJ308040007	42	18

NUMERICAL INDEX OF PARTS

PART NO	PAGE	REF NO.	PART NO	PAGE	REF NO.	PART NO	PAGE	REF NO.
PJ308040007	44	18	SM4061001SB	44	7	SS4110815SP	54	12
PS0300322K0	28	60	SM6021000TP	50	29	SS4111215SP	2	2
PS0600502KP	32	23	SM6030602TP	26	2	SS4120615SP	30	15
PX015101000	30	41	SM6040602TP	36	26	SS4150915SP	4	59
PX015101000	54	14	SM6040800SP	38	31	SS4150915SP	46	37
RC0560711KP	38	12	SM6040802TP	52	8-9	SS5090610SP	2	21
RE0250000K0	26	43	SM6041402TP	26	33	SS5110740TP	50	4
RE0500000K0	6	45	SM6043552TN	30	35	SS6090520SP	38	16
RE0500000K0	14	78	SM6044002TP	54	3	SS6090620SP	38	22
RE0500000K0	38	13	SM6051002TP	40	8	SS6090810TP	22	12
RE0500711KP	18	8	SM6051202TP	26	30	SS6090910TP	14	50
RE0800000K0	14	89	SM6051402TP	14	67	SS6091022TP	10	19
RE0900000K0	20	65	SM6051402TP	26	40	SS6110480SP	46	40
RO092270200	18	45	SM6051410SC	28	54	SS6110520TP	20	56
RO092270200	38	14	SM6051602TP	26	10	SS6110630TP	14	64
SB120000200	8	53	SM6052002TP	14	91	SS6110810TP	38	18
SD0370401SP	26	35	SM6061002TP	30	33	SS6111010SP	20	61
SD0380551SL	2	28	SM6061202TP	2	17	SS6111010TP	48	48
SD0470281SP	32	19	SM6061602TP	30	2	SS6111140SP	2	44
SD0500481TP	26	23	SM6061802TP	18	40	SS6111210SP	8	63
SD0600403TP	54	7	SM6082002TP	40	2	SS6111610SP	18	37
SD0600454TP	54	8	SM6082502TP	22	20	SS6111610SP	54	10
SD0640241SP	36	9	SM8041402TP	26	28	SS6121610TP	18	16
SD0640322TP	6	42	SM8050502TP	18	6	SS6121860SP	18	43
SD0720331SP	40	5	SM8050602TP	14	86	SS6151040SP	40	14
SD0800352SP	30	11	SM8050602TP	38	20	SS6151220SP	54	33
SD0800402TP	18	34	SM8050612TP	20	52	SS6151440SP	36	15
SD0800402TP	30	9	SM8060602TP	6	28	SS6151440SP	50	2
SD0800481SP	12	45	SM8060602TP	28	56	SS6151780SP	12	27
SD0900701TP	18	21	SM8080802TP	10	21	SS6151812TP	28	49
SD1000801SH	20	55	SM8080812TP	6	15	SS6151920SP	12	30
SK3241601SC	50	13	SQ1110401MZ	22	41	SS6152440SP	10	29
SK3385001SE	42	36	SQ1110401MZ	46	39	SS6153012TP	28	51
SK3385001SE	44	37	SQ1150451MZ	46	27	SS6153040SP	22	18
SK3482500SC	50	16	SS2090710TP	2	29	SS6153040SP	50	22
SK3482501SE	42	37	SS2110920TP	2	37	SS6621220SP	36	31
SK3482501SE	44	38	SS3090610SP	46	17	SS7060510SP	26	8
SK3514000SC	54	36	SS4080610SP	32	18	SS7080510TP	10	12
SL4030631SC	54	27	SS4110515SP	2	35	SS7090520TP	2	33
SL4040881SC	12	32	SS4110615SP	36	33	SS7090520TP	36	27
SM1040801SC	36	24	SS4110615SP	46	42	SS7090610SP	18	30
SM1050801SR	14	72	SS4110815SP	2	54	SS7090610SP	26	16
SM3031401SE	50	9	SS4110815SP	4	54	SS7090910SP	10	9
SM4040601SC	36	25	SS4110815SP	6	17	SS7090910TP	18	32
SM4061001SB	42	7	SS4110815SP	46	47	SS7091410SP	38	15



## NUMERICAL INDEX OF PARTS

PART NO	PAGE	REF NO.	PART NO	PAGE	REF NO.
SS7110510SP	12	20	SS8660530TP	22	43
SS7110510SP	46	11	SS8660610TP	8	66
SS7110570SP	34	4	SS8660610TP	12	8
SS7110710SP	6	24	SS8660610TP	18	64
SS7110710SP	36	11	SS8660610TP	20	64
SS7110830SP	10	17	SS8660612TP	6	40
SS7110830SP	14	80	SS8660612TP	12	3
SS7110830SP	46	33	SS8660670SP	22	36
SS7110840SP	30	28	SS8660810TP	6	22
SS7110840SP	50	3	SS8660810TP	22	39
SS7110840SP	54	1	SS8661030SP	8	52
SS7110910TP	10	15	SS9090640SP	26	14
SS7110910TP	12	42	SS9151440CP	18	4
SS7110910TP	18	25	TA0550604R0	2	12
SS7110910TP	32	22	TA0750704R0	2	11
SS7110910TP	34	2	TA0750704R0	8	64
SS7111120TP	14	74	TA0750704R0	12	10
SS7111410SP	18	11	TA0800704R0	50	31
SS7111410SP	54	34	TA1050504R0	2	40
SS7111810SP	30	19	TA1250504R0	4	48
SS7111810TP	22	8	TA1750502R0	24	55
SS7120760SP	8	54	WP0320501SC	26	3
SS7120760SP	30	13	WP0320501SC	50	12
SS7120760SP	48	55	WP0371016SD	22	11
SS7150740SP	14	52	WP0450801SD	8	62
SS7150940SP	2	19	WP0501016SD	30	30
SS7151210SP	30	7	WP0501046SC	12	18
SS7151610SP	60	4	WP0501046SC	34	12
SS8110422TP	22	30	WP0531001SC	26	31
SS8110422TP	26	19	WP0621016SD	18	5
SS8110520TP	36	10	WP0621016SD	60	2
SS8111010TP	6	43	WP0641601SC	28	50
SS8111010TP	16	97	WP0641601SD	28	52
SS8150510TP	22	34	WP0641601SD	30	34
SS8150710SP	14	93	WP0650876SD	20	58
SS8150710TP	6	20	WP0850002SP	22	19
SS8150710TP	12	9	WS0610002KN	60	3
SS8150822TP	6	59	WT0530002KS	4	51
SS8150822TP	8	59			
SS8150822TP	18	28			
SS8151150SP	22	27			
SS8151150TP	10	5			
SS8151150TP	18	14			
SS8151150TP	22	32			
SS8660530TP	8	49			