

MODEL : MO-6700S-0E4/MO-6714S-BE/MO-6716S-DE4

List No : 1329-06

# PARTS LIST

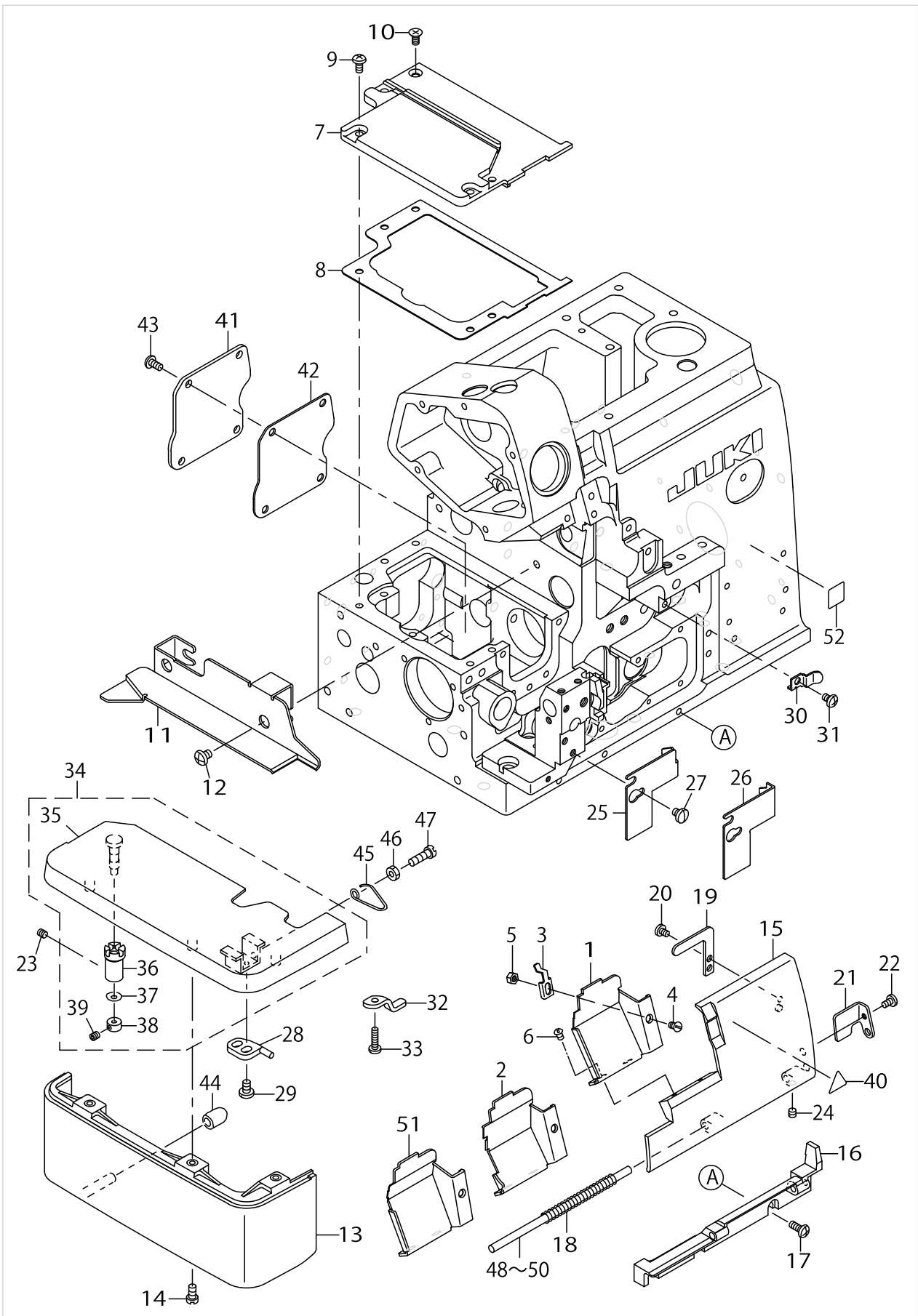
Published:09/10/2017

## CONTENTS

---

MISCELLANEOUS COVER COMPONENTS (1).....	1
MISCELLANEOUS COVER COMPONENTS (2).....	5
CRANKSHAFT COMPONENTS .....	7
NEEDLE DRIVING SHAFT COMPONENTS.....	11
FEED MECHANISM COMPONENTS (1).....	15
FEED MECHANISM COMPONENTS (2).....	17
UPPER & LOWER LOOPER COMPONENTS.....	21
CHAIN LOOPER COMPONENTS (FOR MO-6716S).....	25
PRESSER FOOT COMPONENTS (1).....	27
PRESSER FOOT COMPONENTS (2).....	31
THREAD TENSION COMPONENTS .....	35
LOWER KNIFE COMPONENTS.....	39
UPPER KNIFE COMPONENTS .....	41
NEEDLE COOLING MECHANISM COMPONENTS (FOR SH).....	43
LUBRICATION MECHANISM COMPONENTS.....	45
SEMI-SUNKEN TYPE TABLE COMPONENTS.....	49
FULLY-SUNKEN TYPE TABLE COMPONENTS.....	51
STAND COMPONENTS (Z·T ).....	53
THREAD STAND COMPONENTS (FOR MO-6704S,MO-6714S).....	55
THREAD STAND COMPONENTS (MO-6704S,MO-6714S SPECIAL ORDER PARTS).....	57
THREAD STAND COMPONENTS (FOR MO-6716S).....	59
THREAD STAND COMPONENTS (MO-6716S SPECIAL ORDER PARTS).....	61
SPECIAL ORDER PARTS COMPONENTS.....	63
ACCESSORIES PARTS COMPONENTS .....	67
LIST FOR INFORMATION OF CHANGE.....	69
HOW TO MAKE USE OF THIS PARTS LIST .....	70

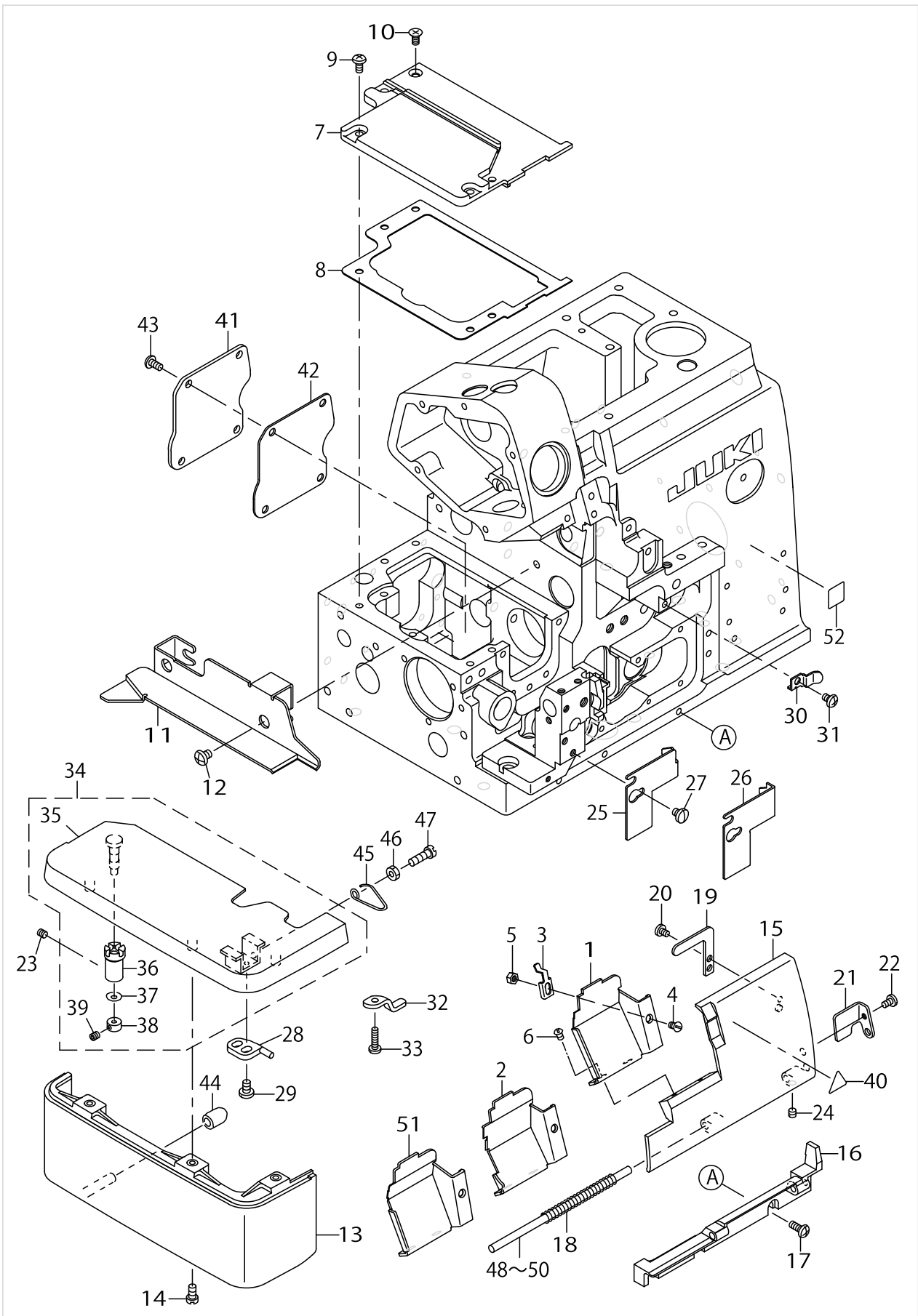
MISCELLANEOUS COVER COMPONENTS (1)



MISCELLANEOUS COVER COMPONENTS (1)

No.	Parts No.	Parts name	Remarks	Level	Cons	Qty
1	13104005	CLOTH WASTE COVER	FOR MO-6704S,MO-6714S (EXCEPT TYPE SH)			1
2	13104203	CLOTH WASTE COVER	FOR MO-6716S			1
3	13102405	CROTH WASTE COVER STOPPER				1
4	SS2090520SL	SCREW 9/64-40 L=5				1
5	NS6090310SN	NUT 9/64-40				1
6	SS3090610SP	SCREW 9/64-40 L=6				2
7	13200704	FEED MECHANISM COVER				1
8	13200803	FEED MECHANISM COVER GASKET				1
9	SM4040855SP	SCREW				4
10	SM1040801SC	SCREW M4X0.7 L=8				1
11	12342101	CLOTH BASE SIDE COVER				1
12	SS4120615SP	SCREW 3/16-28 L=6				2
13	13103809	CLOTH BASE COVER				1
14	SS4091015SP	SCREW 9/64-40 L=10				2
15	13100904	LOOPER COVER				1
16	13100805	LOOPER COVER BRACKET				1
17	SM4041055SP	SCREW M4 L=10				3
18	13101209	LOOPER COVER SPRING				1
19	13101407	LOOPER COVER PRESSER PLATE				1
20	SS7090530SP	SCREW 9/64-40 L=4.5				1
21	13101001	LOOPER COVER GUIDE PLATE				1
22	SS7090610SP	SCREW 9/64-40 L=6				1
23	SS8110410TP	SCREW 11/64-40 L=3.5				1
24	SS8110410TP	SCREW 11/64-40 L=3.5				1
25	13101506	CLOTH WASTE COVER LEFT	FOR MO-6704S,MO-6714S			1
26	13101605	CLOTH WASTE COVER LEFT	FOR MO-6716S			1
27	SS7110510SP	SCREW 11/64-40 L=5				2
28	13101704	CLOTH BASE SWITCH-TYPE STOPPER				1
29	SS7110710SP	SCREW 11/64-40 L=7				2
30	13101308	LOOPER COVER PRESSER SPRING				1
31	SM4040655SP	SCREW M4 L=6				1
32	13101803	CROTH BASE SUPPORT PLATE				1
33	SS7091410SP	SCREW 9/64-40 L=13.5				1
34	13103650	CLOTH BASE CMPL.				1
35	13102058	CLOTH BASE ASM.		*		1
36	13101902	CLOTH BASE ECCENTRIC BUSHING		*		1
37	WZ0420350KP	DISC SPRING		*		1
38	13172903	CLOTH BASE HINGE SHAFT COLLAR		*		1
39	SM8040302TP	SETSCREW		*		1
40	CM300200001	ATTENTION SEAL				1
41	40102307	ADJUSTING_HOLE_COVER				1
42	13201603	ADJUSTING HOLE COVER GASKET				1
43	SM4040855SP	SCREW				4
44	13104302	CLOTH BASE COVER RUBBER PLUG				1
45	13102207	CLOTH BASE SWITCH-TYPE SPRING				1
46	NS6110420SP	NUT 11/64-40				1

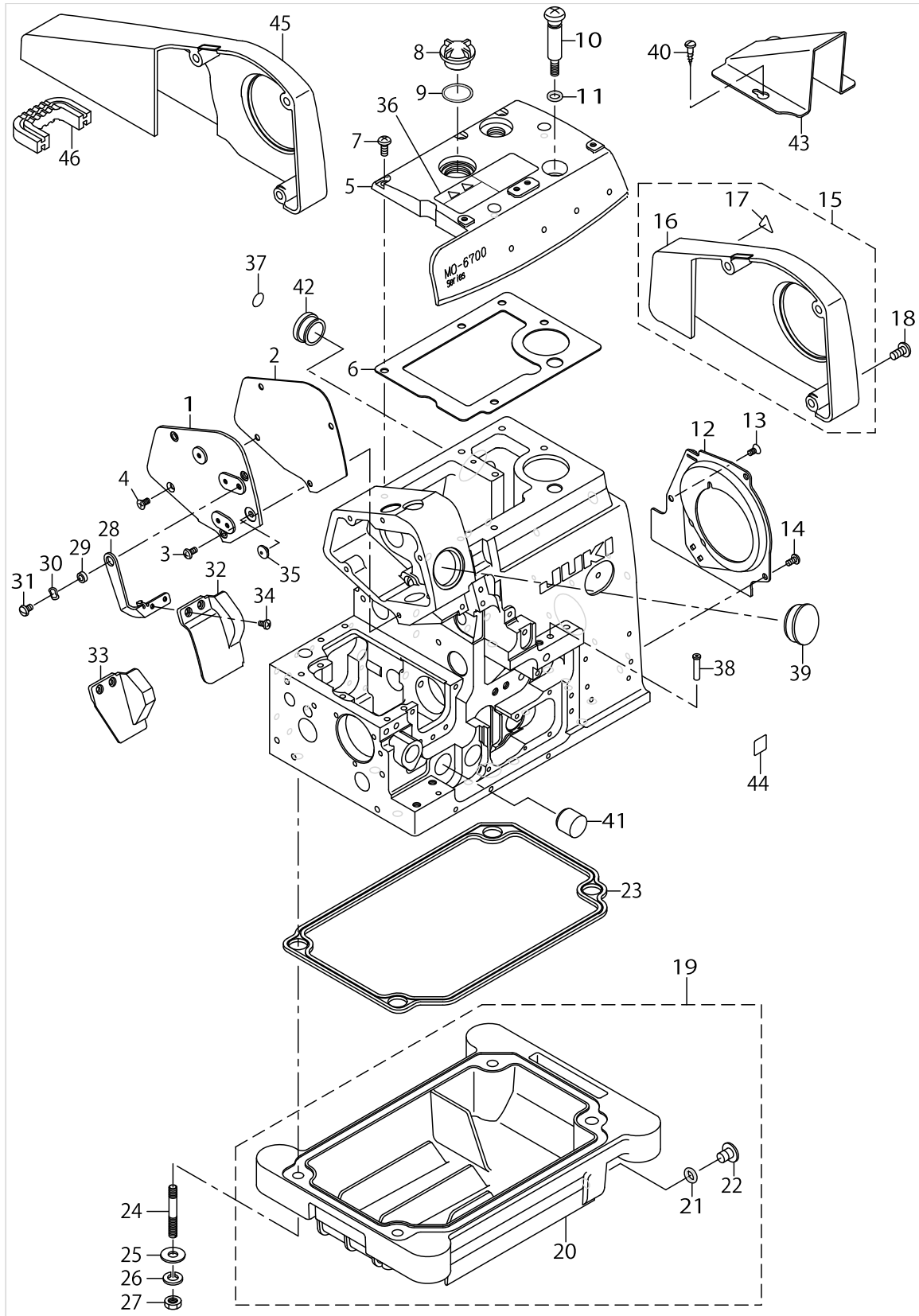
MISCELLANEOUS COVER COMPONENTS (1)



MISCELLANEOUS COVER COMPONENTS (1)

No.	Parts No.	Parts name	Remarks	Level	Cons	Qty
47	SS6111440SP	SCREW 11/64-40 L=14.0				1
48	13240007	LOOPER COVER HINGE SHAFT A	SELECTIVE PARTS			1
49	13240106	LOOPER COVER HINGE SHAFT B	SELECTIVE PARTS			1
50	13240205	LOOPER COVER HINGE SHAFT C	SELECTIVE PARTS			1
51	13104104	CLOTH WASTE COVER	FOR MO-6704S,MO-6714S (FOR TYPE SH)			1
52	40150131	EAC_MARK_LABEL_S	FOR JE			1

MISCELLANEOUS COVER COMPONENTS (2)

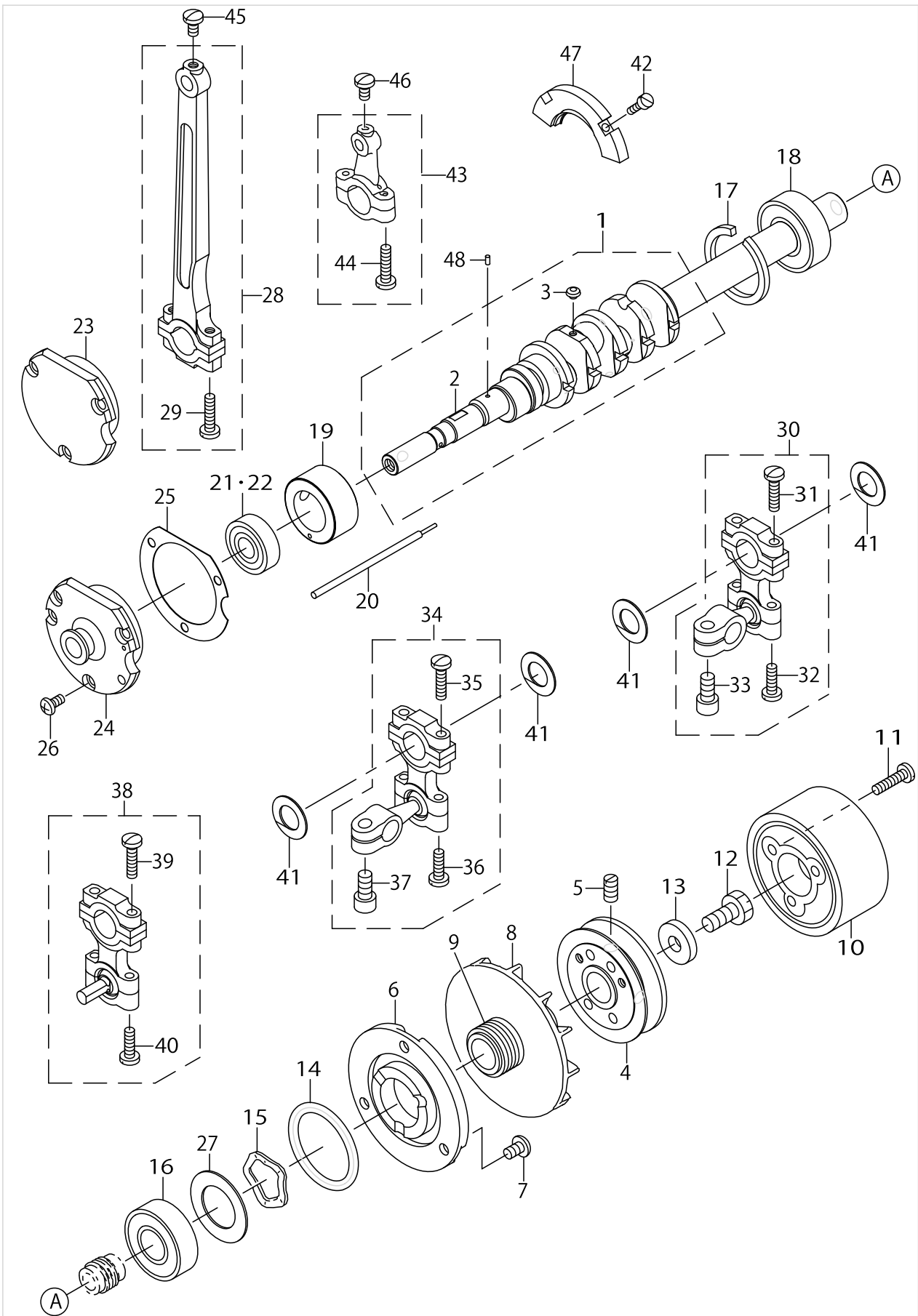


MISCELLANEOUS COVER COMPONENTS (2)

No.	Parts No.	Parts name	Remarks	Level	Cons	Qty
1	13200209	SIDE COVER				1
2	13200308	SIDE COVER GASKET				1
3	SM4040855SP	SCREW				3
4	SM1040801SC	SCREW M4X0.7 L=8				1
5	13200506	UPPER COVER				1
6	13200605	UPPER COVER GASKET				1
7	SM4051255SP	SCREW M5 L=12				5
8	22924708	OIL SIGHT WINDOW				1
9	13170006	RUBBER RING				1
10	13104500	OIL DRAIN SCREW				1
11	13170204	RUBBER RING				1
12	13201009	COOLING FAN PLATE				1
13	SM1040801SC	SCREW M4X0.7 L=8				1
14	SM4040855SP	SCREW				2
15	13201454	BELT COVER ASM.	VARIOUS NOS. FOR DESTINATIONS			1
16	13201405	BELT COVER		*		1
17	CM300200001	ATTENTION SEAL		*		1
18	SS4151215SP	SCREW 15/64-28 L=12				3
19	13102553	OIL RESERVOIR ASM.				1
20	13102504	OIL RESERVOIR		*		1
21	13170105	RUBBER RING		*		1
22	13171004	DRAIN SCREW		*		1
23	13102603	OIL RESERVOIR GASKET				1
24	13103908	SCREW STUD				4
25	WP0751576SD	WASHER 7.5X19X1.5				4
26	WS0822010KP	SPRING WASHER 8.2X15X2				4
27	NS6680410SP	NUT 9/32-28				4
28	13201108	SAFETY PLATE BRACKET				1
29	13104807	SAFETY PLATE BRACKET COLLAR				1
30	WZ0850302K0	WAVED WASHER 8.5X12.5X0.3				1
31	SS5110710SP	SCREW 11/64-40 L=7				1
32	13201306	SAFETY PLATE	FOR MO-6716S			1
33	13201207	SAFETY PLATE	FOR MO-6704S,MO-6714S			1
34	SS7090611SL	SCREW 9/64-40 L=6.1				2
35	13204003	SAFETY PLATE BUSH				1
36	CM301300001	SAFETY LABEL				1
37	22901805	GROUND MARK				1
38	13102900	THREAD GUIDE LARGE				2
39	10753309	WINDOW PLATE RUBBER PLUG				1
40	SK3412001SE	WOOD SCREW D=4.1 L=20				2
41	TA1871602R0	RUBBER PLUG	FOR MO-6704S,MO-6714S			1
42	TA2050805R0	RUBBER PLUG				1
43	13160700	BELT COVER (B)				1
44	CM600100101	WEEE MARK LABEL S	FOR JE,TURKEY			1
45	40037392	BELT COVER C	VARIOUS NOS. FOR DESTINATIONS			1
46	40040065	VIBRATION PROOF RUBBER	VARIOUS NOS. FOR DESTINATIONS			1



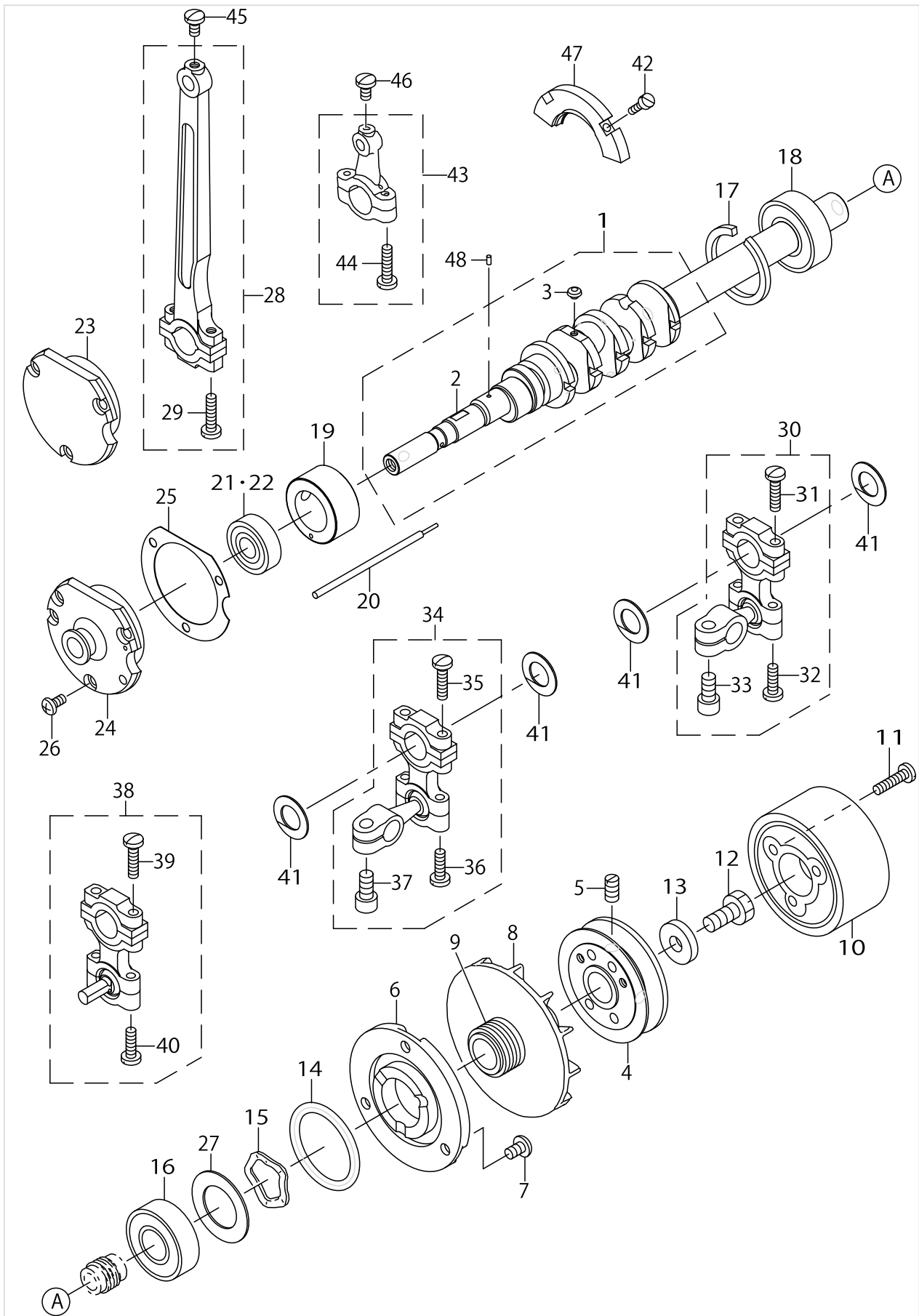
CRANKSHAFT COMPONENTS



CRANKSHAFT COMPONENTS

No.	Parts No.	Parts name	Remarks	Level	Cons	Qty
1	40023235	MAIN SHAFT ASM.				1
2	40023234	MAIN SHAFT (300)		*		1
3	SS5080212TP	SCREW 1/8-44 L=2		*		5
4	13107602	HANDWHEE (A)				1
5	SS8151150TP	SCREW 15/64-28 L=10.5				2
6	13107800	THRUST COLLAR				1
7	SM4050855SP	SCREW M5 L=8				3
8	13108402	COOLING FAN				1
9	13108501	CRANKSHFT OIL SHIELD				1
10	13107701	HANDWHEEL				1
11	SS7111810TP	SCREW 11/64-40 L=18				3
12	SS9681610TP	SCREW 9/32-28 L=16				1
13	WP0764016SP	WASHER				1
14	13170303	RUBBER RING				1
15	WZ2640310KH	WAVED WASHER 26.4X33.9X3.5				1
16	B1211804000	BALL BEARING B				1
17	B1212704000	BEARING RETAINER				1
18	B1211804000	BALL BEARING B				1
19	13205406	CRANKSHAFT BUSHING C				1
20	13104906	OIL ADJUSTING BAR				1
21	B1215804000	BALL BEARING D	FOR MO-6704S,MO-6714S			1
22	SB110000300	BALL BEARING	FOR MO-6716S			1
23	13108006	CRANKSHAFT BUSHING D	FOR MO-6704S,MO-6714S			1
24	13108105	CRANKSHAFT BUSHING D	FOR MO-6716S			1
25	13108204	CRANKSHAFT BUSHING GASKET				1
26	SM4040855SP	SCREW				3
27	13108303	BEARING HOLDING PLATE				1
28	12109153	CONNECTING ROD ASM.				1
29	SS7111810TP	SCREW 11/64-40 L=18		*		2
30	12122362	UPPER LOOPER ROD ASM.				1
31	SS7111810TP	SCREW 11/64-40 L=18		*		2
32	SS7111410TP	SCREW 11/64-40 L=14		*		2
33	SM6061202TP	SCREW M6 L=12		*		1
34	12123360	LOWER LOOPER ROD ASM. A	FOR MO-6704S,MO-6714S			1
35	SS7111810TP	SCREW 11/64-40 L=18		*		2
36	SS7111410TP	SCREW 11/64-40 L=14		*		2
37	SM6061202TP	SCREW M6 L=12		*		1
38	12120150	LOWER LOOPER ROD ASM. B	FOR MO-6716S			1
39	SS7111810TP	SCREW 11/64-40 L=18		*		2
40	SS7111410TP	SCREW 11/64-40 L=14		*		2
41	40017824	LOOPER LOD STOPPER				4
42	SS6081210TP	SCREW 1/8-44 L=12				2
43	12132155	KNIFE DRIVING ROD ASM.				1
44	SS7111810TP	SCREW 11/64-40 L=18		*		2
45	SS7110840SP	SCREW 11/64-40 L=7.8				1
46	SS7110840SP	SCREW 11/64-40 L=7.8				1
47	40017714	BALANCER				1

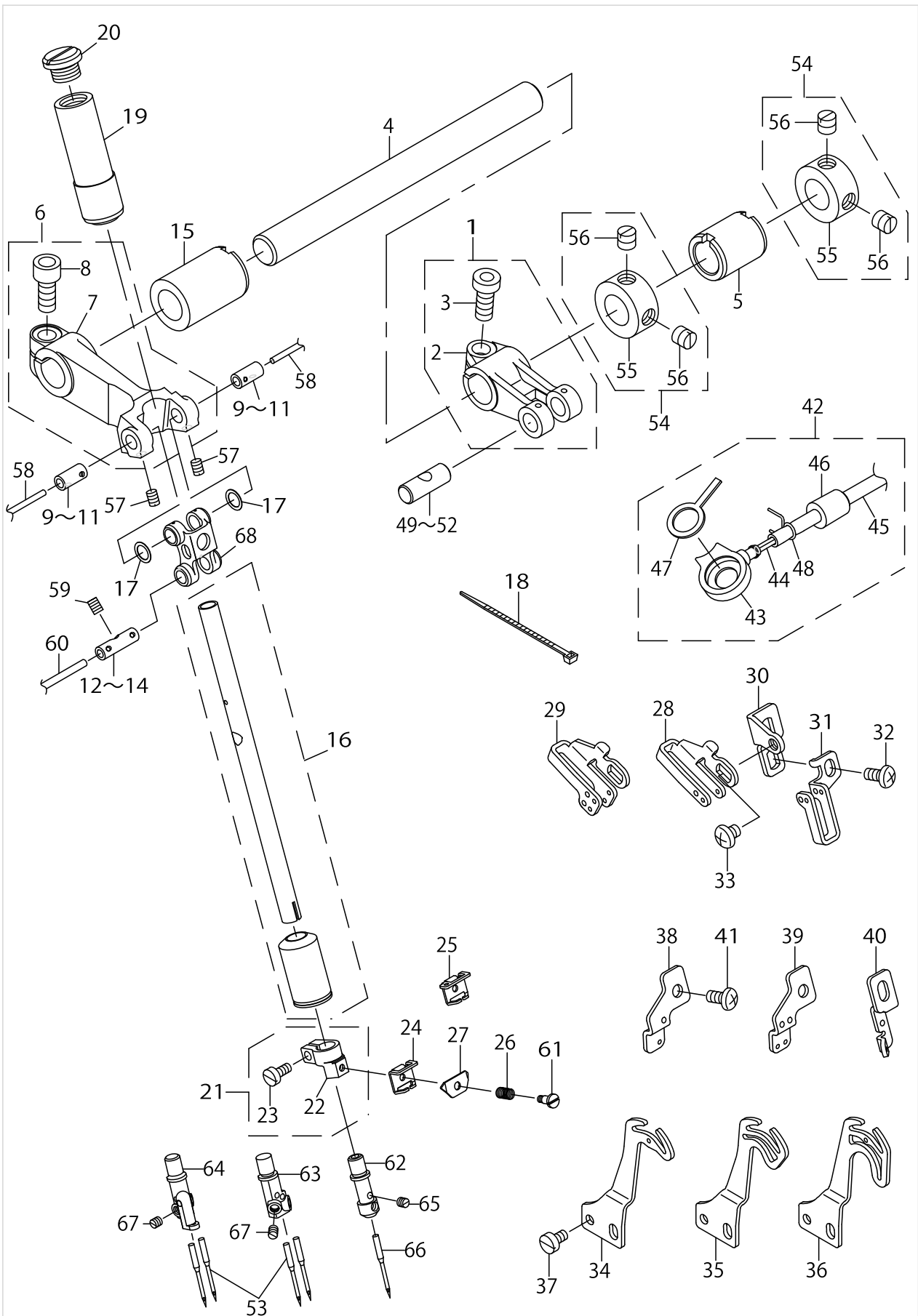
CRANKSHAFT COMPONENTS



## CRANKSHAFT COMPONENTS

No.	Parts No.	Parts name	Remarks	Level	Cons	Qty
48	40035711	OIL WICK				1

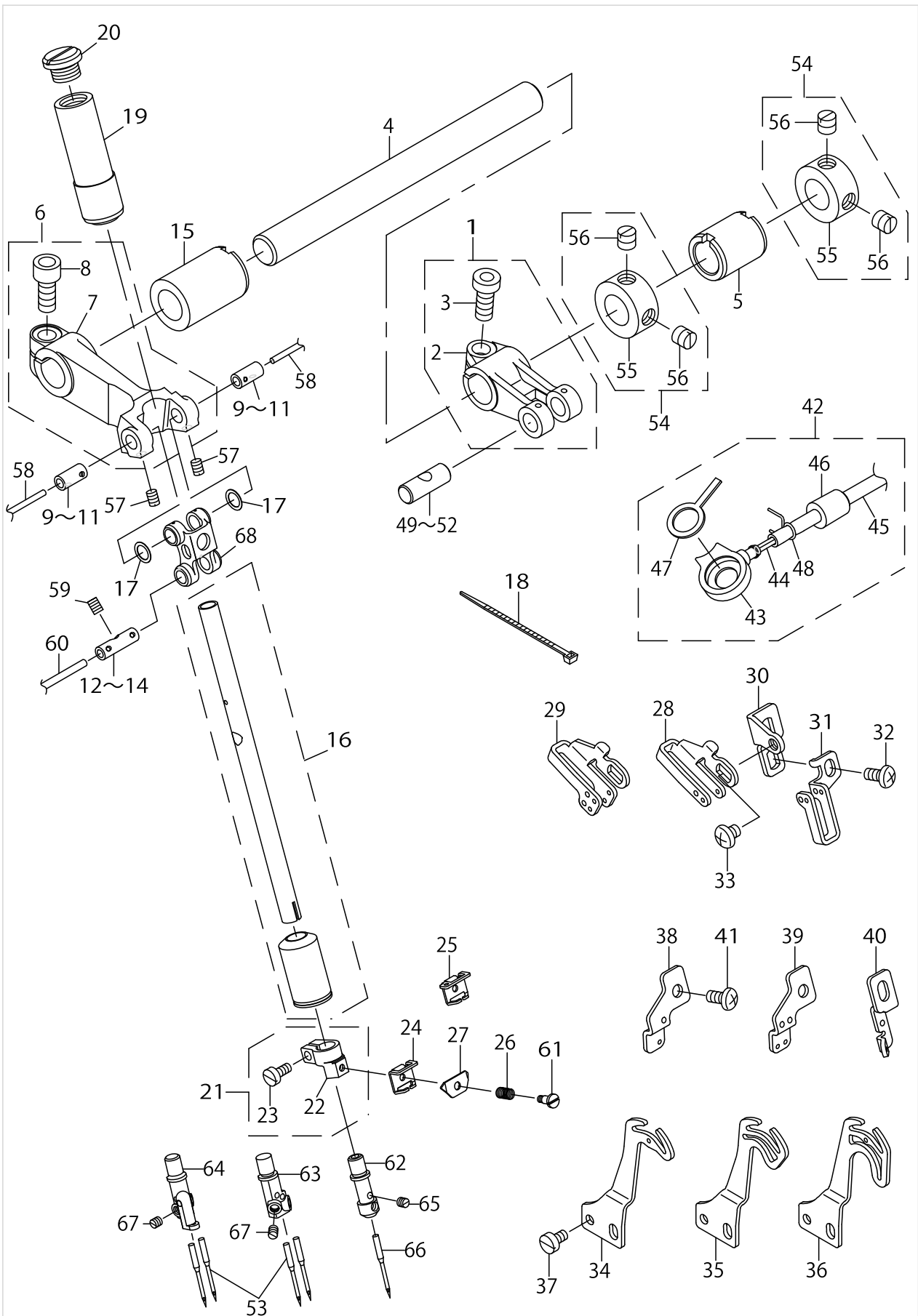
NEEDLE DRIVING SHAFT COMPONENTS



NEEDLE DRIVING SHAFT COMPONENTS

No.	Parts No.	Parts name	Remarks	Level	Cons	Qty
1	13110556	FEED FORKED CRANK ASM.				1
2	13110507	NEEDLE DRIVING BRANCH CRANK		*		1
3	SM6061402TP	SCREW M6 L=14		*		1
4	13110606	NEEDLE DRIVING SHAFT				1
5	13110101	BUSHING REAR				1
6	13209853	NEEDLE DRIVING ARM ASM.				1
7	13209804	NEEDLE DRIVING ARM		*		1
8	SM6061402TP	SCREW M6 L=14		*		1
9	13209101	NEEDLE DRIVING ARM PIN A	SELECTIVE PARTS			2
10	13209200	NEEDLE DRIVING ARM PIN B	SELECTIVE PARTS			2
11	13209309	NEEDLE DRIVING ARM PIN C	SELECTIVE PARTS			2
12	13209408	NEEDLE DRIVING PIN A	SELECTIVE PARTS			1
13	13209507	NEEDLE DRIVING PIN B	SELECTIVE PARTS			1
14	13209606	NEEDLE DRIVING PIN C	SELECTIVE PARTS			1
15	13110002	BUSHING REAR				1
16	13208350	NEEDLE ROD (A) ASM.				1
17	13208103	NEEDLE DRIVING LINK WASHER				2
18	EA9500B0100	CABLE BAND				1
19	13209705	NEEDLE ROD BUSHING UPPER				1
20	13207808	NEEDLE ROD BUSHING CAP SCREW				1
21	13110259	NEEDLE CLAMP HOLDER ASM.				1
22	13110200	NEEDLE CLAMP HOLDER		*		1
23	SS6080720SP	SCREW 1/8-44 L=7		*		1
24	13110705	NEEDLE THREAD PRESSER GUIDE A	FOR MO-6704S,MO-6714S			1
25	13110804	NEEDLE THREAD PRESSER GUIDE B	FOR MO-6716S			1
26	13110903	NEEDLE THREAD PRESSER SPRING				1
27	13111000	NEEDLE THREAD PRESSER PLATE A				1
28	13208806	NEEDLE THREAD GUIDE	FOR MO-6704S,MO-6716S			1
29	13208905	THREAD GUIDE 2-NEEDLE	FOR MO-6714S			1
30	13208707	NEEDLE THREAD GUIDE BASE				1
31	13111109	THREAD GUIDE CHAIN LOOPER	FOR MO-6716S			1
32	SM4040855SP	SCREW				2
33	SS4110515SP	SCREW 11/64-40 L=5				1
34	13111208	NEEDLE THREAD TAKE-UP LEVER	FOR MO-6704S			1
35	13111307	TAKE-UP LEVER 2-NEEDLE	FOR MO-6714S			1
36	13111406	TAKE-UP LEVER CHAIN LOOP	FOR MO-6716S			1
37	SS6090670TP	SCREW 9/64-40 L=6				2
38	13111505	NEEDLE THREAD BALANCE GUIDE	FOR MO-6704S,MO-6716S			1
39	13111604	TAKE-UP LEVER GUIDE 2-NEEDLE	FOR MO-6714S			1
40	13111703	TAKE-UP LEVER GUIDE CHAIN LOOP	FOR MO-6716S			1
41	SM4040855SP	SCREW				1
42	13208459	ONCE THROUGH OIL PIPE ASM.				1
43	13208509	ONCE THROUGH OIL COVER		*		1
44	CQ200000000	OIL WICK		*		0.8
45	23630007	TUBE		*		0.39
46	13244009	ONCE THROUGH OIL PIPE BUSHING		*		1
47	13208608	ONCE THROUGH OIL FELT		*		1

NEEDLE DRIVING SHAFT COMPONENTS

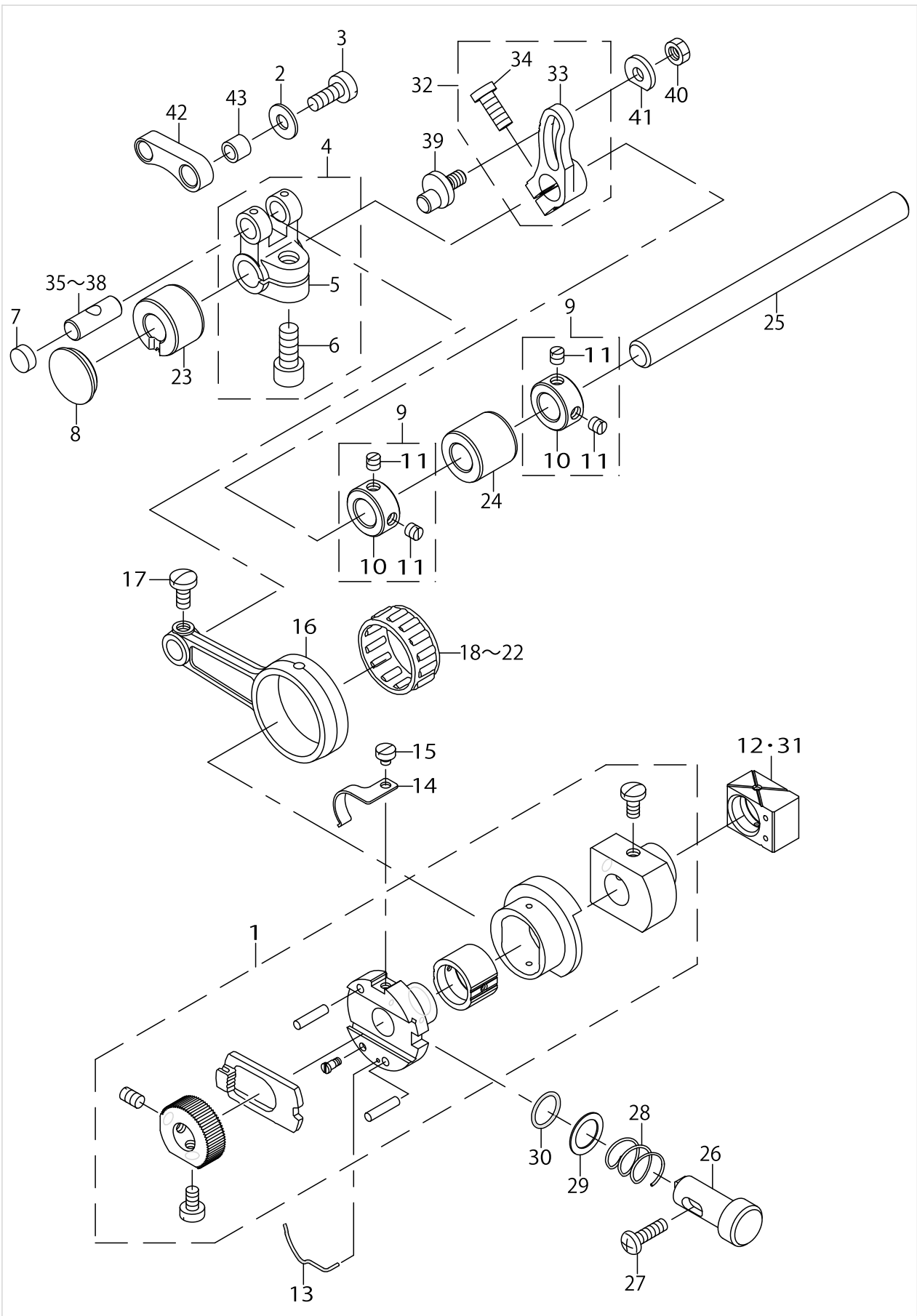


NEEDLE DRIVING SHAFT COMPONENTS

No.	Parts No.	Parts name	Remarks	Level	Cons	Qty
48	13142609	PIPE CLAMP		*		1
49	13122007	FEED BRANCH CRANK PIN A	SELECTIVE PARTS			1
50	13122106	FEED BRANCH CRANK PIN B	SELECTIVE PARTS			1
51	13122205	FEED BRANCH CRANK PIN C	SELECTIVE PARTS			1
52	13122304	FEED BRANCH CRANK PIN D	SELECTIVE PARTS			1
53	MDC270B1100	NEEDLE DCX27 #11	FOR MO-6714S,MO-6716S			2
54	13172754	THRUST COLLAR ASM.				2
55	13172705	THRUST COLLAR		*		1
56	SS8660610TP	SCREW 1/4-40 L=6		*		2
57	SS8090530TP	SCREW 9/64-40 L=5.0				2
58	CQ202000000	OIL WICK				0.09
59	SS8090530TP	SCREW 9/64-40 L=5.0				1
60	CQ252000000	OIL WICK				0.04
61	SD0280401SL	HINGE SCREW D=2.8 H=4				1
62	13175005	NEEDLE CLAMP 1-NEEDLE	FOR MO-6704S			1
63	13175203	NEEDLE CLAMP 2-NEEDLE	FOR MO-6714S			1
64	12257002	CHAIN LOOPER NEEDLE CLAMP DEA	FOR MO-6716S			1
65	SS8080310TP	SCREW 1/8-44 L=2.8	FOR MO-6704S			1
66	MDC270B1100	NEEDLE DCX27 #11	FOR MO-6704S			1
67	SS8080310TP	SCREW 1/8-44 L=2.8	FOR MO-6714S,MO-6716S			2
68	13208004	NEEDLE DRIVING LINK				1



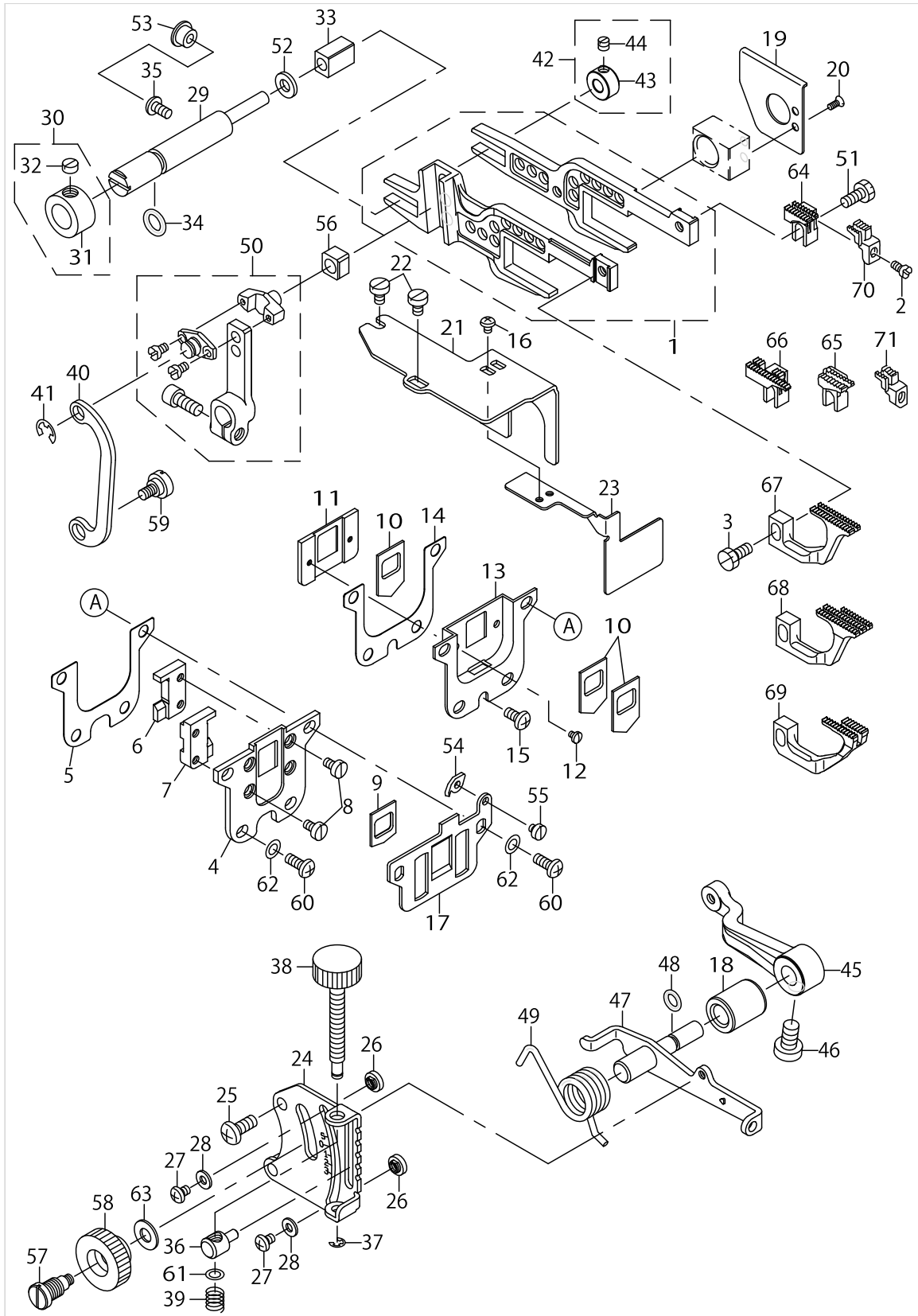
FEED MECHANISM COMPONENTS (1)



FEED MECHANISM COMPONENTS (1)

No.	Parts No.	Parts name	Remarks	Level	Cons	Qty
1	13118054	FEED ECCENTRIC BODY ASM.				1
2	13120605	WASHER				1
3	SS6121220TP	SCREW 3/16-28 L=11.5				1
4	13122452	FEED BRANCH CRANK ASM.				1
5	13122403	FEED BRANCH CRANK		*		1
6	SM6061402TP	SCREW M6 L=14		*		1
7	TA1030402R0	RUBBER PLUG D=10.3 L=4				1
8	TA2050416R0	RUBBER PLUG				1
9	13172556	FEED SHAFT THRUST COLLAR ASM.				2
10	13172507	FEED SHAFT THRUST COLLAR		*		1
11	SS8110410TP	SCREW 11/64-40 L=3.5		*		2
12	13217807	SLIDE BLOCK A	SELECTIVE PARTS			1
13	13122502	RATCHET PAWL SPRING				1
14	13119300	RATCHET GEAR SPRING				1
15	SS6080320SP	SCREW 1/8-44 L=2.5				1
16	13118708	FEED CRANK ROD				1
17	SS7110910TP	SCREW 11/64-40 L=8.5				1
18	12116604	NEEDLE BEARING	SELECTIVE PARTS			1
19	12116703	NEEDLE BEARING B	SELECTIVE PARTS			1
20	12116802	NEEDLE BEARING C	SELECTIVE PARTS			1
21	12116901	NEEDLE BEARING D	SELECTIVE PARTS			1
22	12117008	NEEDLE BEARING E	SELECTIVE PARTS			1
23	13119409	FEED SHAFT METAL FRONT				1
24	13119508	FEED SHAFT METAL REAR				1
25	13119607	FEED SHAFT				1
26	13216809	PUSH BUTTON SHAFT				1
27	SM4041455SN	SCREW M4 L=14				1
28	13216601	PUSH BUTTON SPRING				1
29	13216700	PUSH BUTTON SHAFT WASHER				1
30	13244108	RUBBER RING				1
31	13217906	SLIDE BLOCK B	SELECTIVE PARTS			1
32	13119953	MAIN FEED ARM ASM.				1
33	13119904	MAIN FEED ARM		*		1
34	SM6051202TP	SCREW M5X0.8 L=12		*		1
35	13122007	CRANK PIN A	SELECTIVE PARTS			1
36	13122106	CRANK PIN B	SELECTIVE PARTS			1
37	13122205	CRANK PIN C	SELECTIVE PARTS			1
38	13122304	CRANK PIN D	SELECTIVE PARTS			1
39	13119706	MAIN FEED ARM PIN				1
40	NS6620320SP	NUT 3/16-32				1
41	13120001	WASHER B				1
42	13119805	MAIN FEED LINK				1
43	B1620804000	PIN COLLAR				1

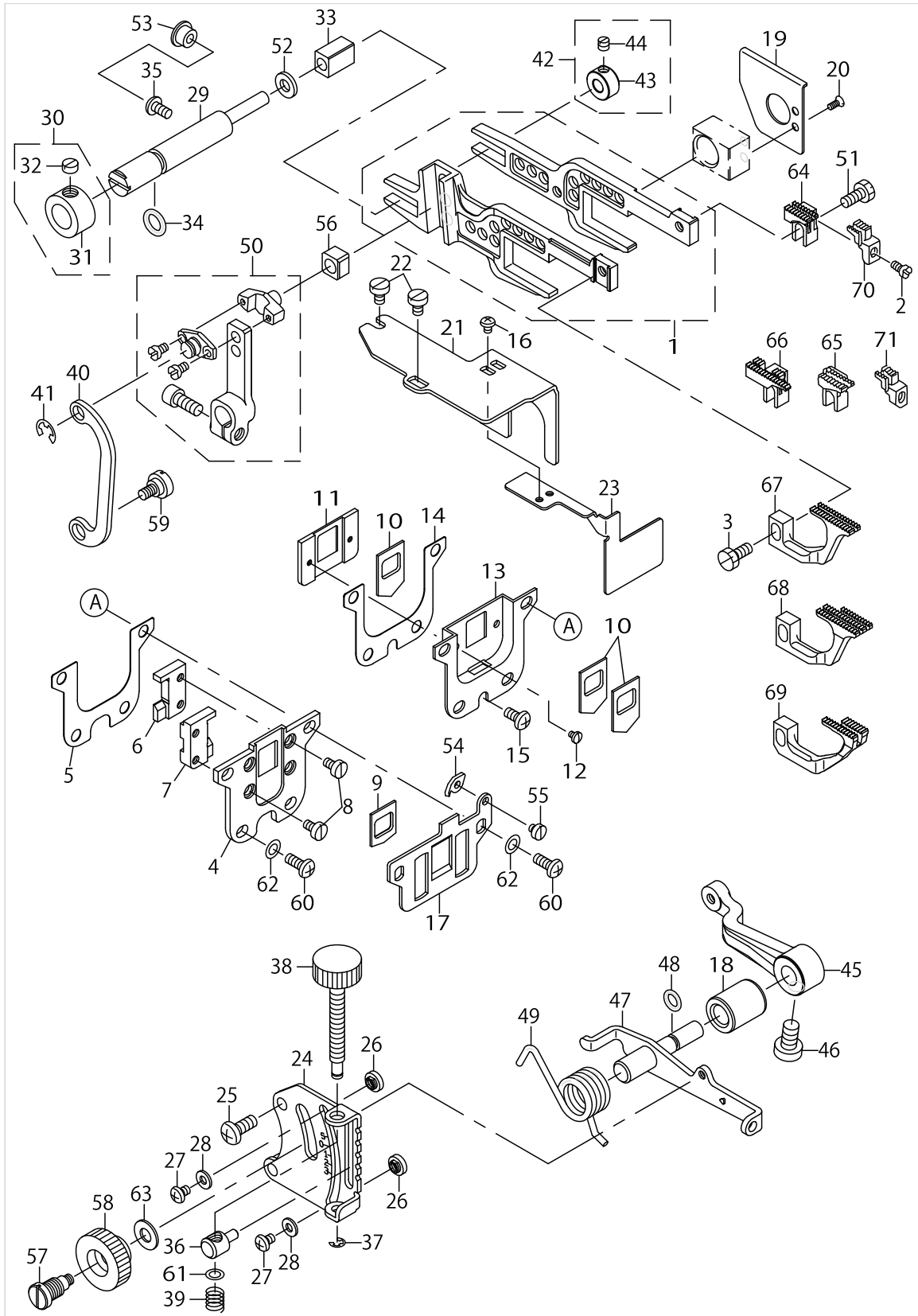
FEED MECHANISM COMPONENTS (2)



FEED MECHANISM COMPONENTS (2)

No.	Parts No.	Parts name	Remarks	Level	Cons	Qty
1	13215157	FEED ROCKER ASM.				1
2	SS4080620TP	SCREW 1/8-44 L=6				1
3	SS9111010SP	SCREW 11/64-40 L=9.5				1
4	13215306	RUBBER CASE				1
5	13215405	RUBBER CASE GASKET				1
6	13215504	FEED BAR SUPPORT RIGHT				1
7	13215603	FEED BAR SUPPORT LEFT				1
8	SS6090620TP	SCREW				4
9	12118303	DUST-PROOF RUBBER				1
10	70004244	OIL SHIELD RUBBER				3
11	13215702	RUBBER HOLDING PLATE				1
12	SS7060310SP	SCREW 3/32-56 L=3				2
13	13215900	OIL SHIELD CASE				1
14	13216007	OIL SHIELD CASE GASKET				1
15	SM4040855SP	SCREW				1
16	SM4030455SP	SCREW				2
17	13215801	THROAT PLATE SUPPORT				1
18	13122700	ADJUSTING SHAFT METAL				1
19	13216106	OIL SHIELD PLATE				1
20	SS1060610SP	SCREW 3/32-56 L=5.5				2
21	13216205	FEED CAM OIL SHIELD PLATE				1
22	SM6040600SP	SCREW M4 L=6				2
23	13216304	OIL SHIELD PLATE				1
24	13122809	DIFFERENTIAL FEED GRADUATION				1
25	SM4051255SP	SCREW M5 L=12				2
26	13121405	ADJUSTING STOPPER				2
27	SS4090515SP	SCREW 9/64-40 L=5				2
28	WP0371016SD	WASHER 3.7X8X1				2
29	13120902	SUPPORT SHAFT				1
30	13121058	HRUST COLLAR ASM.				1
31	13121009	HRUST COLLAR		*		1
32	SS8660330SP	SCREW 1/4-40 L=3.0		*		1
33	13120803	SLIDE BLOCK				1
34	13170204	RUBBER RING				1
35	SM4040855SP	SCREW				1
36	13217708	DIFFERENTIAL FEED BLOCK				1
37	RE0300000K0	E-RING 3				1
38	13213012	ADJUSTING SCREW				1
39	13123302	DIFFERENTIAL FEED SCREW SPRING				1
40	13121306	ADJUSTING LINK				1
41	RE0500000K0	E-RING 5				1
42	13121256	SUPPORT SHAFT COLLAR ASM.				1
43	13121207	SUPPORT SHAFT COLLAR		*		1
44	SS8110410TP	SCREW 11/64-40 L=3.5		*		1
45	13121900	DIFFERENTIAL FEED ROCKER				1
46	SS6661110SP	SCREW 1/4-40 L=11				1
47	13217351	ROCKER SHAFT ASM.				1

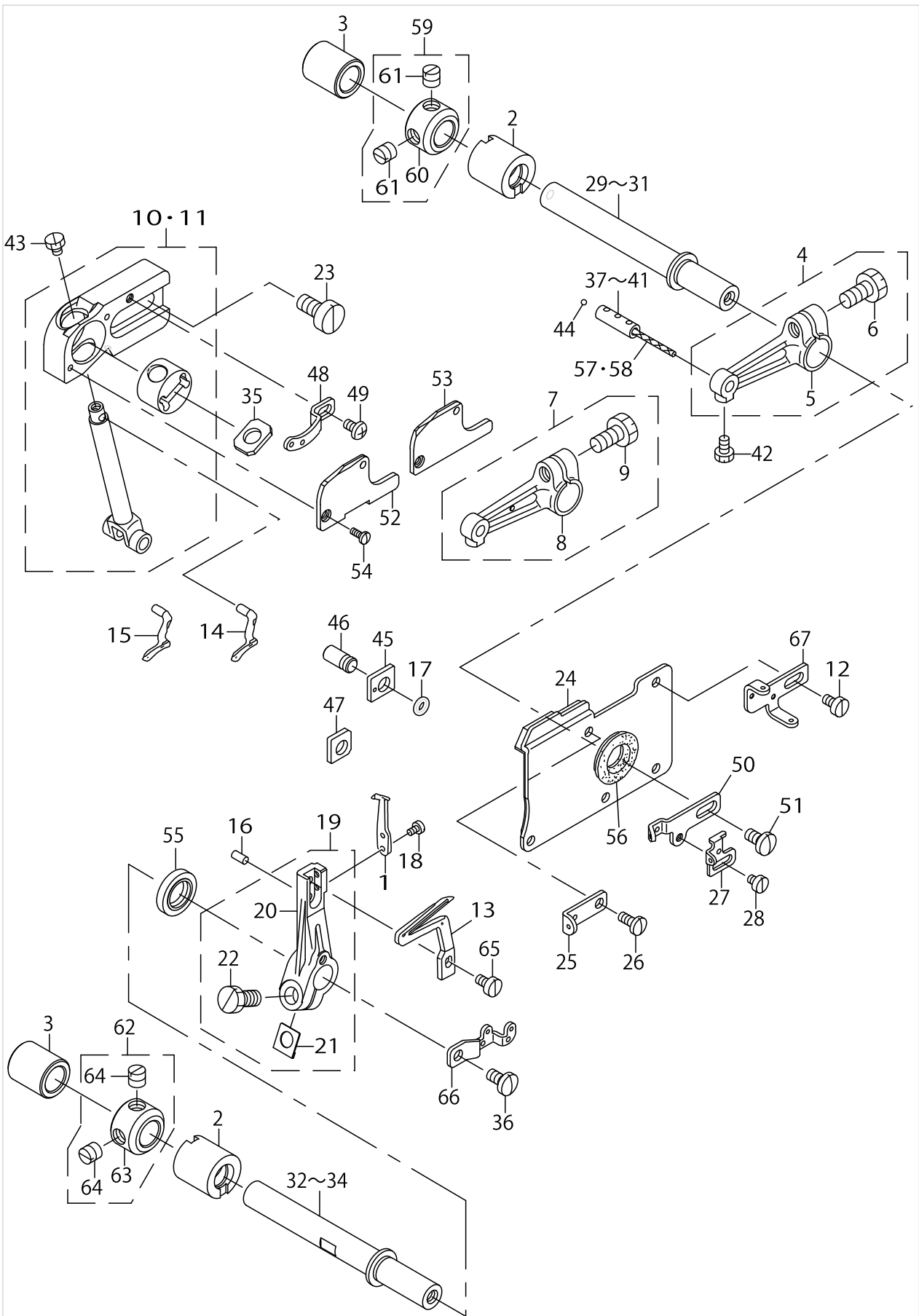
FEED MECHANISM COMPONENTS (2)



FEED MECHANISM COMPONENTS (2)

No.	Parts No.	Parts name	Remarks	Level	Cons	Qty
48	13170501	RUBBER RING				1
49	13121603	ADJUSTING LEVER SPRING				1
50	13218052	DIFFERENTIAL FEED ARM ASM.				1
51	SS9111050SP	SCREW 11/64-40 L=9.5				1
52	13121108	WASHER				1
53	TA0800504R0	PLUG D=8 L=4.5				1
54	13200902	FEED MECHANISM COVER PRESSER				1
55	SS6080340SP	SCREW 1/8-44 L=2.9				1
56	13218102	SLIDE BLOCK				1
57	13217401	DIFFERENTIAL FEED HINGE SCREW				1
58	13217500	DIFFERENTIAL FEED LOCK NUT				1
59	SD0720271SP	HINGE SCREW D=7.2 H=2.7				1
60	SM4041055SP	SCREW M4 L=10				4
61	WP0460556SD	WASHER 4.6X7.5X0.5				1
62	WP0480856SP	WASHER 4.8X8.4X0.8				4
63	WP0621016SD	WASHER 6.2X13X1				1
64	13191606	MAIN FEED DOG	FOR MO-6704S			1
65	13192000	MAIN FEED DOG	FOR MO-6714S			1
66	13192406	MAIN FEED DOG	FOR MO-6716S			1
67	13192802	DIFFERENTIAL FEED DOG	FOR MO-6704S			1
68	13193206	DIFFERENTIAL FEED DOG	FOR MO-6714S			1
69	13193602	DIFFERENTIAL FEED DOG	FOR MO-6716S			1
70	13191309	AUXILIARY FEED DOG	FOR MO-6704S,MO-6714S			1
71	13191408	AUXILIARY FEED DOG	FOR MO-6716S			1

UPPER & LOWER LOOPER COMPONENTS

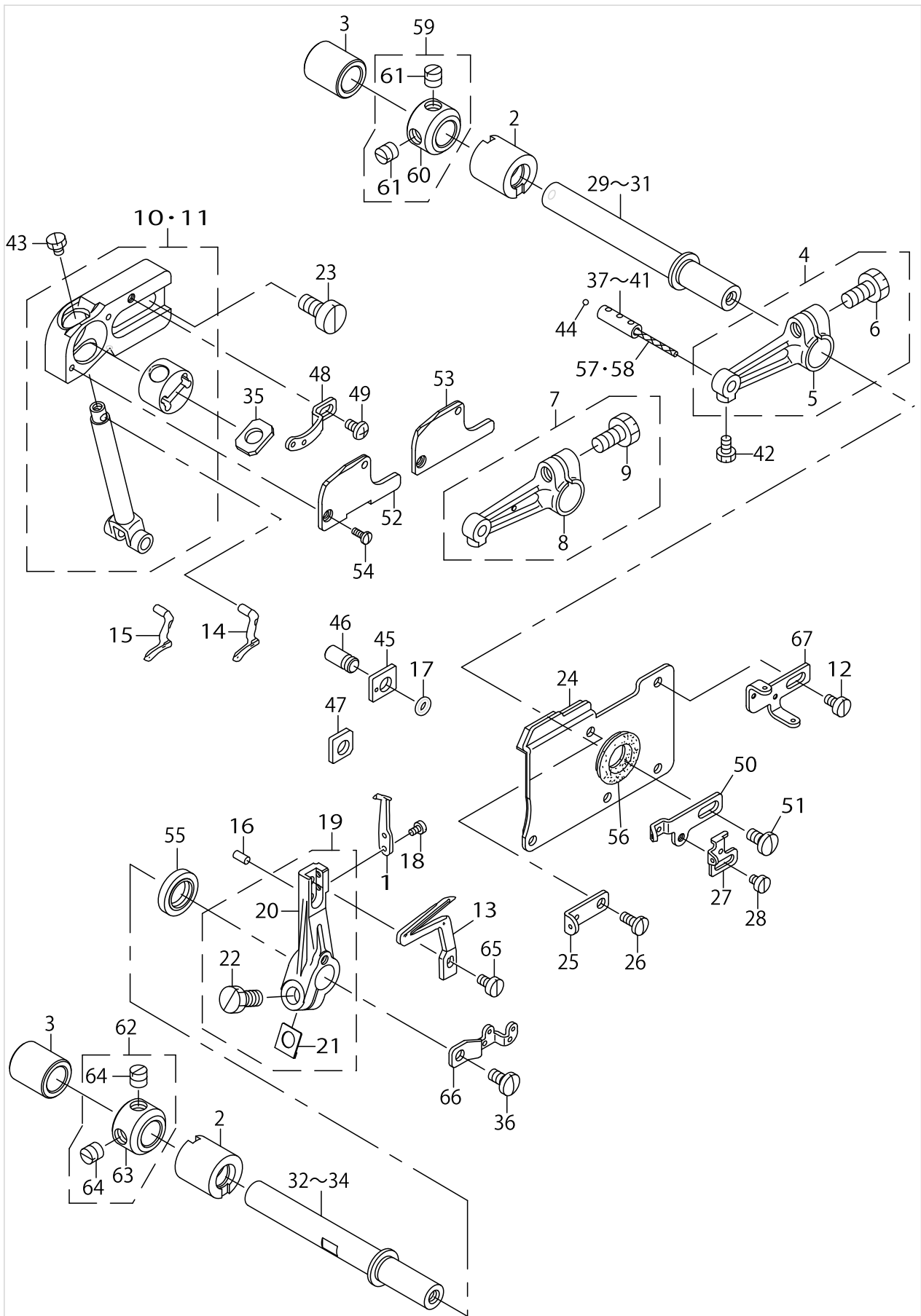


UPPER & LOWER LOOPER COMPONENTS

No.	Parts No.	Parts name	Remarks	Level	Cons	Qty
1	11890001	TRAVELING NEEDLE GUARD				1
2	13222609	LOOPER SHAFT FRONT BUSHING				2
3	13222708	LOOPER SHAFT REAR BUSHING				2
4	13131057	UPPER LOOPER ARM A ASM.	FOR MO-6704S,MO-6716S			1
5	13131008	UPPER LOOPER ARM A		*		1
6	SS9151210TP	SCREW 15/64-28 L=11.8		*		1
7	13131156	UPPER LOOPER ARM B ASM.	FOR MO-6714S			1
8	13131107	UPPER LOOPER ARM B		*		1
9	SS9151210TP	SCREW 15/64-28 L=11.8		*		1
10	40015637	GUIDE SUPPORT ASM.	FOR MO-6704S,MO-6716S			1
11	40016841	GUIDE SUPPORT B ASM	FOR MO-6714S			1
12	SS6090630TP	SCREW 9/64-40 L=6				3
13	11999307	LOWER LOOPER				1
14	11888104	UPPER LOOPER	FOR MO-6704S,MO-6716S			1
15	12176004	UPPER LOOPER	FOR MO-6714S			1
16	PS0300062KH	SPRING PIN 3X6				1
17	13170600	RUBBER RING				1
18	SS6060440TP	SCREW 3/32-56 L=3.5				2
19	13132550	LOWER LOOPER SUPPORT ARM ASM.				1
20	13132501	LOWER LOOPER SUPPORT ARM		*		1
21	13129309	WASHER		*		1
22	SS9151210TP	SCREW 15/64-28 L=11.8		*		1
23	SM6061200SP	SCREW M6 L=12				2
24	13133053	OIL SHIELD PLATE ASM.				1
25	12340600	UPPER LOOPER THREAD GUIDE				1
26	SS7090850SP	SCREW 9/64-40 L=8				1
27	12340709	LOWER LOOPER THREAD TAKE-UP				1
28	SS6080410SP	SCREW 1/8-44 L=4				1
29	13221403	UPPER LOOPER GUIDE A	SELECTIVE PARTS			1
30	13221502	UPPER LOOPER GUIDE B	SELECTIVE PARTS			1
31	13221601	UPPER LOOPER GUIDE C	SELECTIVE PARTS			1
32	13221700	UPPER LOOPER GUIDE A	SELECTIVE PARTS			1
33	13221809	UPPER LOOPER GUIDE B	SELECTIVE PARTS			1
34	13221908	UPPER LOOPER GUIDE C	SELECTIVE PARTS			1
35	40011234	DUST SEALING FELT				1
36	SS7110840SP	SCREW 11/64-40 L=7.8				1
37	13131206	UPPER LOOPER HOLDER PIN A	SELECTIVE PARTS			1
38	13131305	UPPER LOOPER HOLDER PIN B	SELECTIVE PARTS			1
39	13131404	UPPER LOOPER HOLDER PIN C	SELECTIVE PARTS			1
40	13131503	UPPER LOOPER HOLDER PIN D	SELECTIVE PARTS			1
41	13131602	UPPER LOOPER HOLDER PIN E	SELECTIVE PARTS			1
42	SS9090610TP	SCREW 9/64-40 L=5.5				1
43	SS9090410TP	SCREW				1
44	13131701	OIL WICK STOPPER BALL				1
45	13131909	GUIDE SUPPORT GAUGE	FOR MO-6704S,MO-6714S			1
46	13131800	GAUGE FIXING PIN				1
47	13132006	GUIDE SUPPORT GAUGE	FOR MO-6716S			1



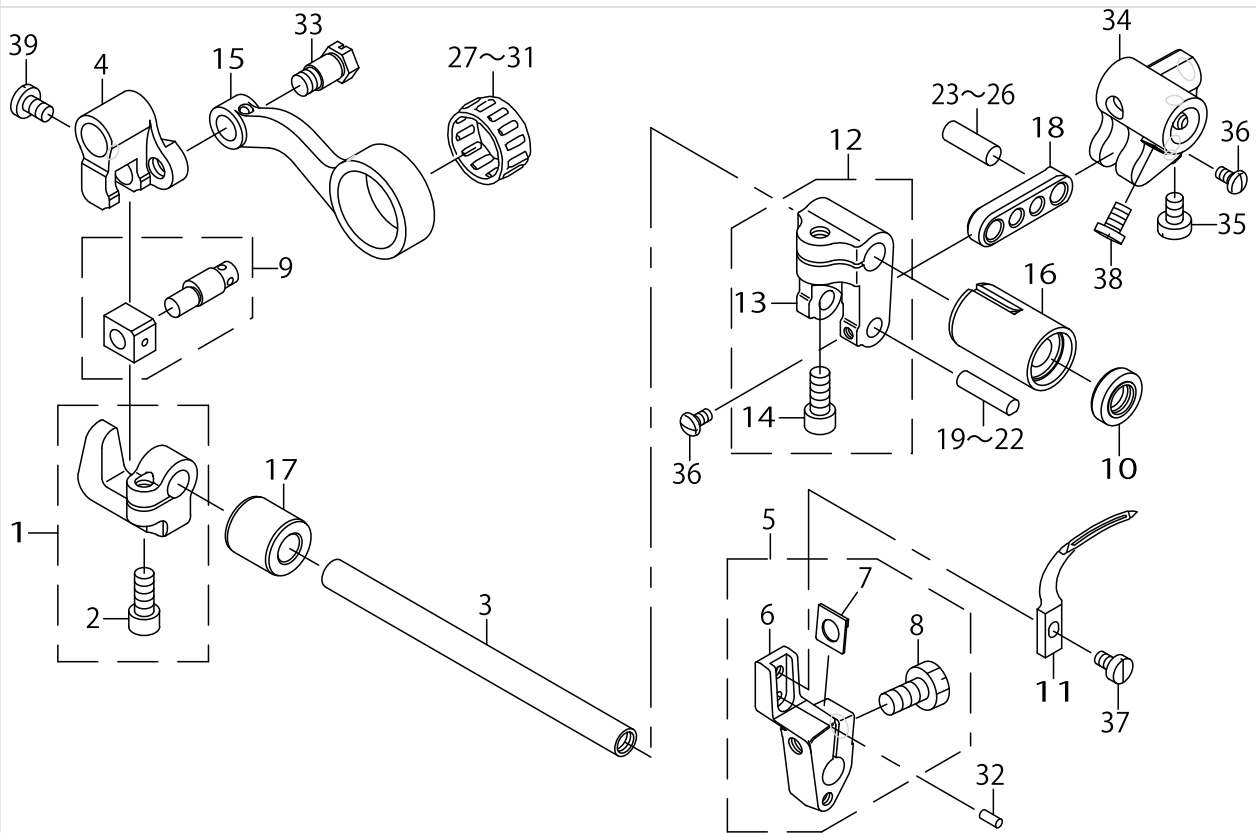
UPPER & LOWER LOOPER COMPONENTS



UPPER & LOWER LOOPER COMPONENTS

No.	Parts No.	Parts name	Remarks	Level	Cons	Qty
48	12340501	THREAD GUIDE UPPER				1
49	SS4090615SP	SCREW 9/64-40 L=6				1
50	12340402	THREAD TAKE-UP RIGHT				1
51	SS7110840SP	SCREW 11/64-40 L=7.8				1
52	13222203	UPPER LOOPER GAUGE COVER	FOR MO-6704S,MO-6716S			1
53	13222302	UPPER LOOPER GAUGE COVER B	FOR MO-6714S			1
54	SS7060610SP	SCREW 3/32-56 L=5.5				2
55	40010804	OIL SEAL RING				1
56	13132709	UPPER LOOPER SHAFT RUBBER RING				1
57	CQ200000000	OIL WICK				0.04
58	CQ202000000	OIL WICK				0.04
59	CS1031210SH	THRUST COLLAR ASM. D=10.32 W=12	FOR MO-6704S,MO-6714S			2
60	CS1031219SH	THRUST COLLAR D=10.32 W=12		*		1
61	SS8660610TP	SCREW 1/4-40 L=6		*		2
62	CS1031210SH	THRUST COLLAR ASM. D=10.32 W=12	FOR MO-6716S			1
63	CS1031219SH	THRUST COLLAR D=10.32 W=12		*		1
64	SS8660610TP	SCREW 1/4-40 L=6		*		2
65	SS6090620TP	SCREW				1
66	12340907	LOWER THREAD TAKE-UP LEFT				1
67	40099082	LOOPER THREAD GUIDE				1

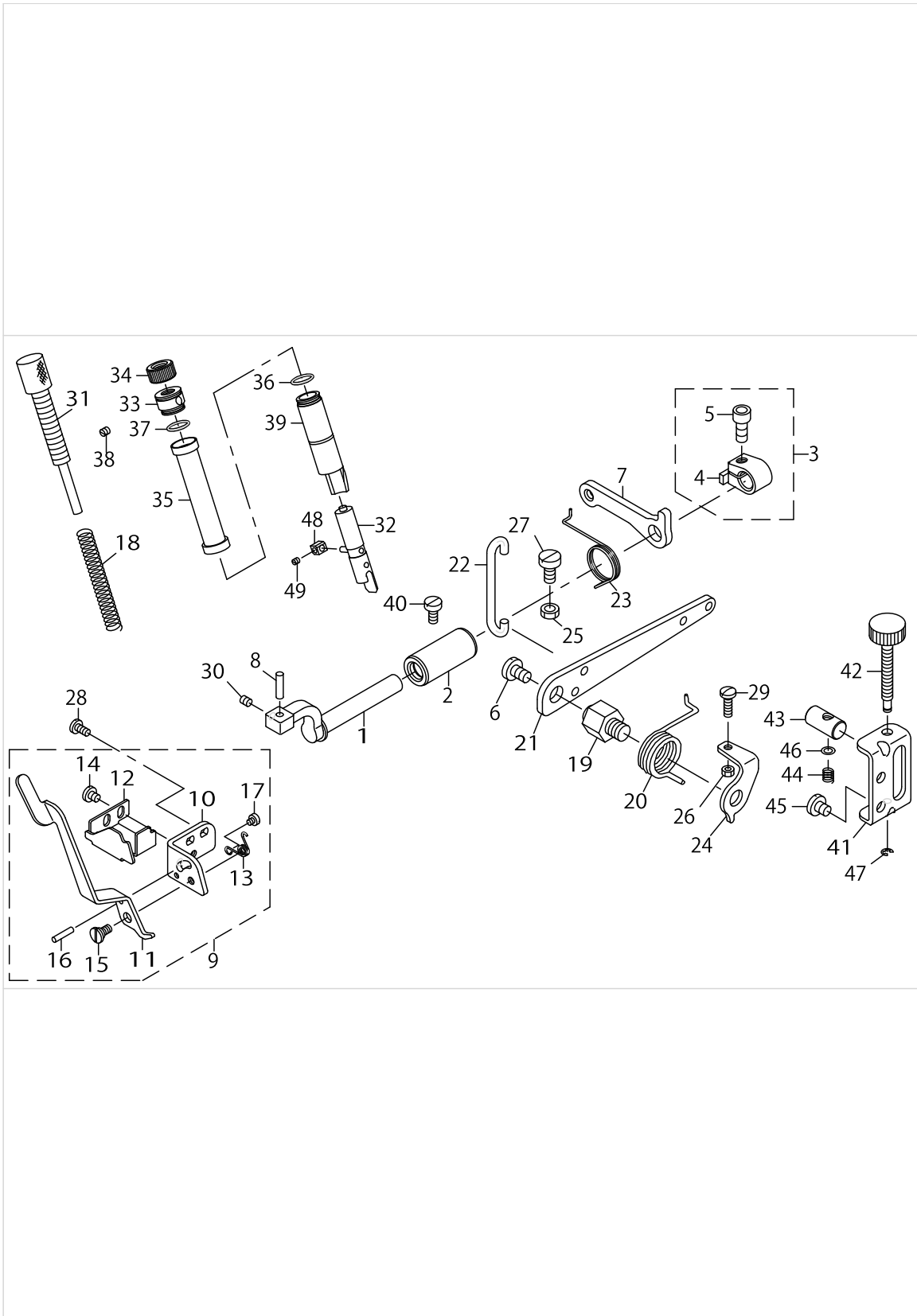
CHAIN LOOPER COMPONENTS (FOR MO-6716S)



CHAIN LOOPER COMPONENTS (FOR MO-6716S)

No.	Parts No.	Parts name	Remarks	Level	Cons	Qty
1	13129853	BRACKET				1
2	SM6051202TP	SCREW M5X0.8 L=12		*		1
3	13126909	CHAIN LOOPER SHAFT				1
4	13126008	FRONT-AND-REAR ARM				1
5	13129952	CHAIN LOOPER DRIVING ARM ASM.				1
6	13129903	CHAIN LOOPER DRIVING ARM		*		1
7	13129309	WASHER		*		1
8	SS9151210TP	SCREW 15/64-28 L=11.8		*		1
9	13126354	SLIDE BLOCK PIN ASM.				1
10	40010805	OIL SEAL RING				1
11	12120705	CHAIN LOOPER				1
12	13125950	CHAIN LOOPER DRIVING ARM ASM.				1
13	13125901	CHAIN LOOPER DRIVING ARM		*		1
14	SM6051202TP	SCREW M5X0.8 L=12		*		1
15	13220009	CHAIN LOOPER ROD				1
16	13128103	BUSHING FORNT				1
17	13127006	BUSHING REAR				1
18	13127105	CHAIN LOOPER SHAFT DRIV. LINK				1
19	13126503	PIN LONG A	SELECTIVE PARTS			1
20	13126602	PIN LONG B	SELECTIVE PARTS			1
21	13126701	PIN LONG C	SELECTIVE PARTS			1
22	13126800	PIN LONG D	SELECTIVE PARTS			1
23	13127204	PIN SHORT A	SELECTIVE PARTS			1
24	13127303	PIN SHORT B	SELECTIVE PARTS			1
25	13127402	PIN SHORT C	SELECTIVE PARTS			1
26	13127501	PIN SHORT D	SELECTIVE PARTS			1
27	B2119816A00	BEARING A	SELECTIVE PARTS			1
28	B2119816B00	BEARING B	SELECTIVE PARTS			1
29	B2119816C00	BEARING C	SELECTIVE PARTS			1
30	B2119816D00	BEARING D	SELECTIVE PARTS			1
31	B2119816E00	BEARING E	SELECTIVE PARTS			1
32	PS0250062KH	SPRING PIN 2.5X6				1
33	SD0720803TH	STEP-SCREW D=7.24 H=8				1
34	12121612	DRIVING BALL ARM BRACKET				1
35	SS6110710TP	SCREW 11/64-40 L=6.5				1
36	SS4080620TP	SCREW 1/8-44 L=6				2
37	SS6090620TP	SCREW				1
38	SS6110710TP	SCREW 11/64-40 L=6.5				2
39	SS7110720TP	SCREW 11/64-40 L=7				1

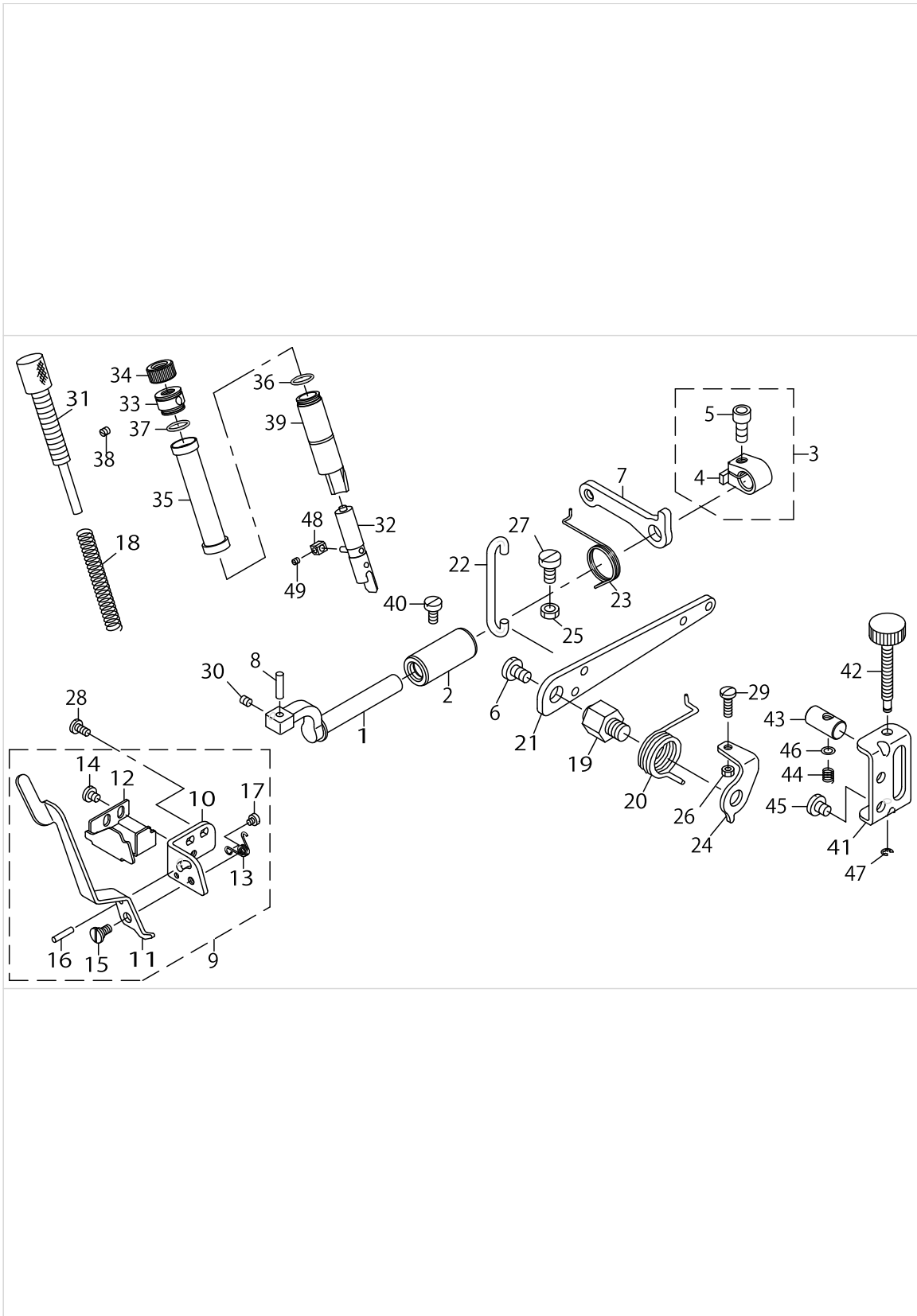
PRESSER FOOT COMPONENTS (1)



PRESSER FOOT COMPONENTS (1)

No.	Parts No.	Parts name	Remarks	Level	Cons	Qty
1	13115001	PRESSER FOOT SHAFT				1
2	40102328	PRESSER_FOOT_SHAFT_BUSHING				1
3	40096182	THRUST ARM ASM.				1
4	40096181	THRUST ARM		*		1
5	SM6061402TP	SCREW M6 L=14		*		1
6	SS7161040SP	SCREW 1/4-24 L=9.5				1
7	13116801	LIFTING ARM				1
8	13115407	PRESSER FOOT ARM HINGE SHAFT				1
9	13115753	PRESSER LIFTING LEVER BASE ASM				1
10	13115803	PRESSER LIFTING LEVER BASE		*		1
11	13115902	PRESSER LIFTING LEVER		*		1
12	13116009	PRESSER ARM STOPPER		*		1
13	13116108	PRESSER FOOT LIFTING SPRING		*		1
14	SS7110510SP	SCREW 11/64-40 L=5		*		2
15	SD0640241SP	HINGE SCREW D=6.35 H=2.4		*		1
16	PS0300142KH	SPRING PIN 0.3X14		*		1
17	SS6080340SP	SCREW 1/8-44 L=2.9		*		1
18	13116207	PRESSER FOOT SPRING				1
19	13117007	PRESSER LIFTING LEVER SCREW				1
20	13116306	PRESSER LIFTING LEVER SPRING				1
21	13116900	PRESSER LIFTING LEVER				1
22	13116405	PRESSER LIFTING HOOK				1
23	13116504	LIFTING LEVER ARM SPRING				1
24	13116603	PRESSER LIFTING LEVER SPRING				1
25	NM6060003SC	NUT M6				1
26	NS6110420SP	NUT 11/64-40				1
27	SM6061200SP	SCREW M6 L=12				1
28	SS7110840SP	SCREW 11/64-40 L=7.8				2
29	SS7111410TP	SCREW 11/64-40 L=14				1
30	SM8050412TP	SCREW M5 L=4				1
31	40034897	PRESSER ADJUSTING SCREW				1
32	13115654	PRESSER BAR ASM.				1
33	12288700	PRESSER REGULATOR SCREW WASHER				1
34	13117106	PRESSER REGULATOR NUT				1
35	13212709	PRESSER BAR COVER				1
36	13170402	RUBBER RING				2
37	13170402	RUBBER RING				1
38	SM8040402TP	SCREW M4X0.7 L=4				1
39	13212501	PRESSER BAR BUSHING				1
40	SS6121020SP	SCREW 3/16-28 L=9.5				1
41	13212808	ADJUSTING BASE				1
42	13213012	ADJUSTING SCREW				1
43	13212915	ADJUSTING BLOCK				1
44	13123302	ADJUSTING SPRING				1
45	SS7150740SP	SCREW 15/64-28 L=7				2
46	WP0460556SD	WASHER 4.6X7.5X0.5				1
47	RE0300000K0	E-RING 3				1

PRESSER FOOT COMPONENTS (1)

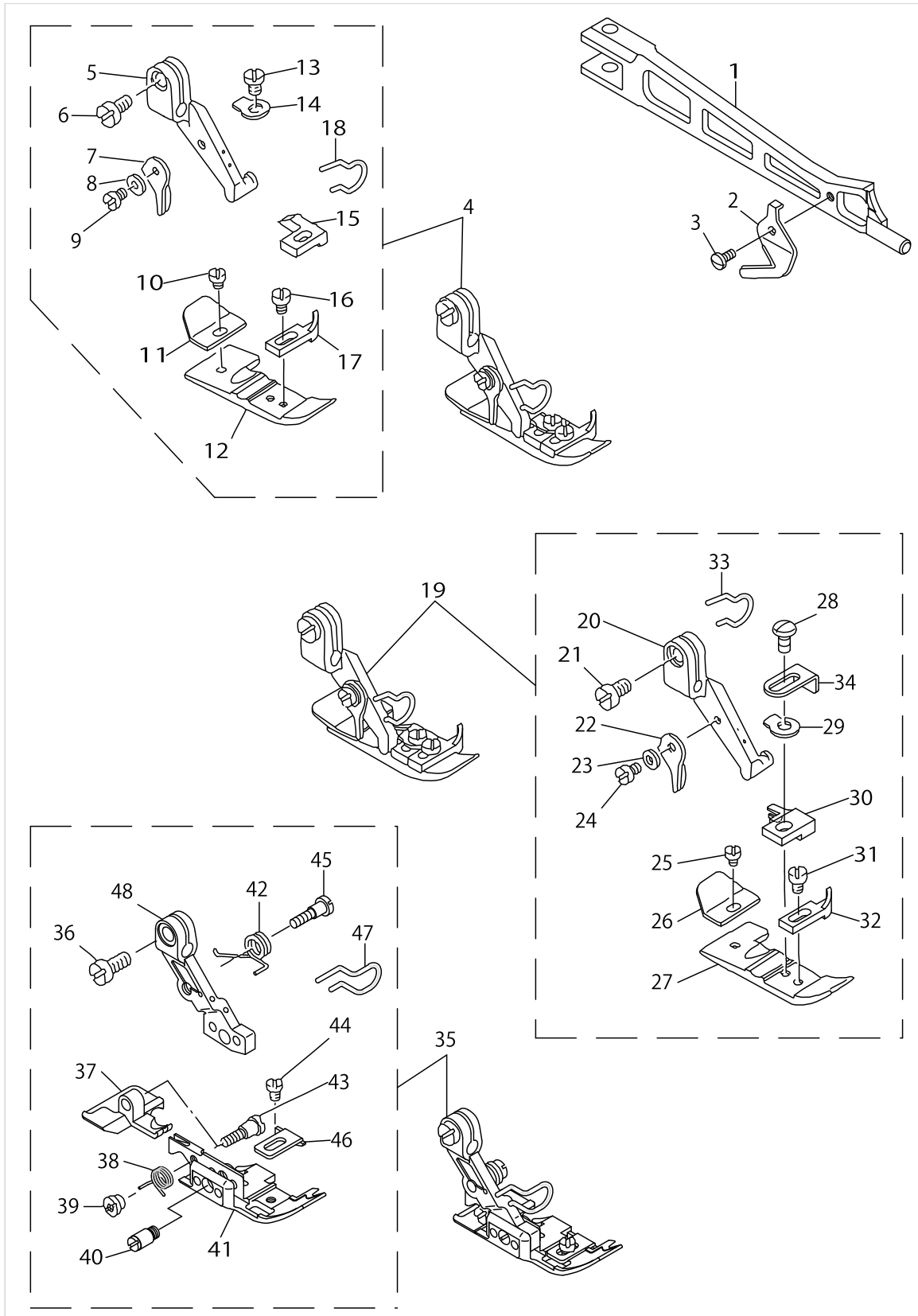


PRESSER FOOT COMPONENTS (1)

No.	Parts No.	Parts name	Remarks	Level	Cons	Qty
48	70004672	SLIDE BLOCK				1
49	SS8080310TP	SCREW 1/8-44 L=2.8				1



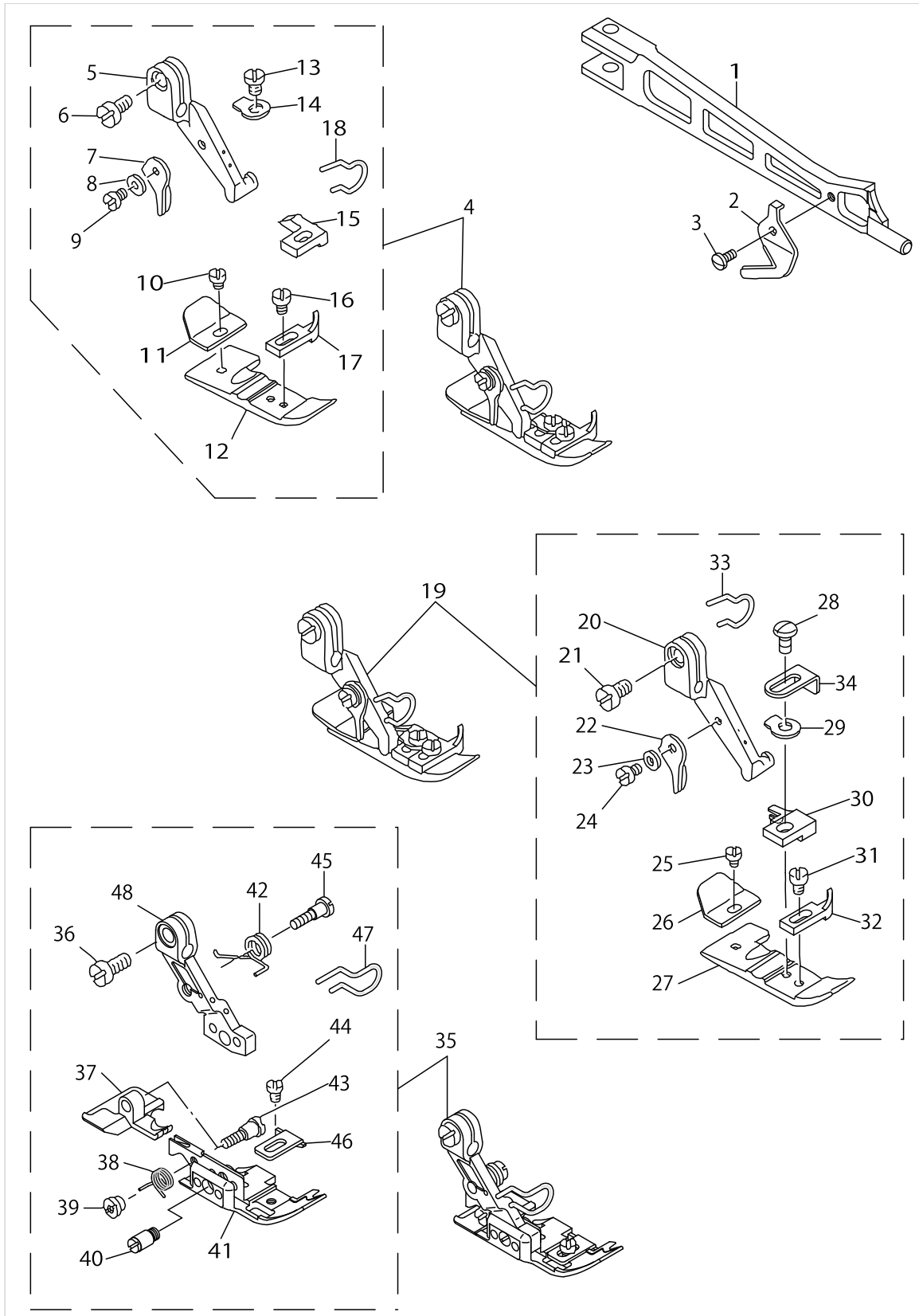
PRESSER FOOT COMPONENTS (2)



PRESSER FOOT COMPONENTS (2)

No.	Parts No.	Parts name	Remarks	Level	Cons	Qty
1	13117205	PRESSER FOOT ARM				1
2	13116702	THREAD TRIMMER				1
3	SS7060510SP	SCREW 3/32-56 L=4.8				1
4	11876166	PRESSER FOOT ASM.	FOR MO-6704S			1
5	11872009	PRESSER FOOT HINGE		*		1
6	SS6090670TP	SCREW 9/64-40 L=6		*		1
7	B1530804000	STOPPER		*		1
8	WP0250516SD	WASHER 2.5X6X0.5		*		1
9	SS7060610SP	SCREW 3/32-56 L=5.5		*		1
10	SS6060210SP	SCREW 3/32-56 L=1.9		*		1
11	B1511814000	REAR PRESSER FOOT		*		1
12	B1507804C00	PRESSER FOOT		*		1
13	SS7080520SP	SCREW 1/8-44 L=4.9		*		1
14	B150880400B	SPRING		*		1
15	B1509804C00	STITCH TONGUE		*		1
16	SS6060440TP	SCREW 3/32-56 L=3.5		*		1
17	B1510814000	CURL GUARD		*		1
18	13178306	FINGER GUIDE		*		1
19	11876869	PRESSER FOOT ASM.	FOR MO-6714S			1
20	11872009	PRESSER FOOT HINGE		*		1
21	SS6090670TP	SCREW 9/64-40 L=6		*		1
22	B1530804000	STOPPER		*		1
23	WP0250516SD	WASHER 2.5X6X0.5		*		1
24	SS7060610SP	SCREW 3/32-56 L=5.5		*		1
25	SS6060210SP	SCREW 3/32-56 L=1.9		*		1
26	B1511814000	REAR PRESSER FOOT		*		1
27	B150781400P	PRESSER FOOT		*		1
28	SS4080620TP	SCREW 1/8-44 L=6		*		1
29	B150880400B	SPRING		*		1
30	B150981400P	STITCH TONGUE		*		1
31	SS6060440TP	SCREW 3/32-56 L=3.5		*		1
32	B1510814000	CURL GUARD		*		1
33	13178306	FINGER GUIDE		*		1
34	40030533	PRESSER FOOT AUXILIARY PLATE		*		1
35	12153763	PRESSER FOOT ASM.	FOR MO-6716S			1
36	SS6090670TP	SCREW 9/64-40 L=6		*		1
37	12164802	REAR PRESSER FOOT		*		1
38	12167805	SPRING FOR REAR PRESSER FOOT		*		1
39	B1513816000	NUT FOR REAR PRESSER FOOT		*		1
40	12167409	HINGE PIN		*		1
41	12162202	PRESSER FOOT		*		1
42	12167607	PRESSER FOOT ARM SPRING		*		1
43	12167508	HINGE SCREW		*		1
44	SS6060340SP	SCREW 3/32-56 L=2.5		*		1
45	B1514816000	SCREW		*		1
46	12167706	PRESSER FOOT		*		1
47	13178405	FINGER GUIDE		*		1

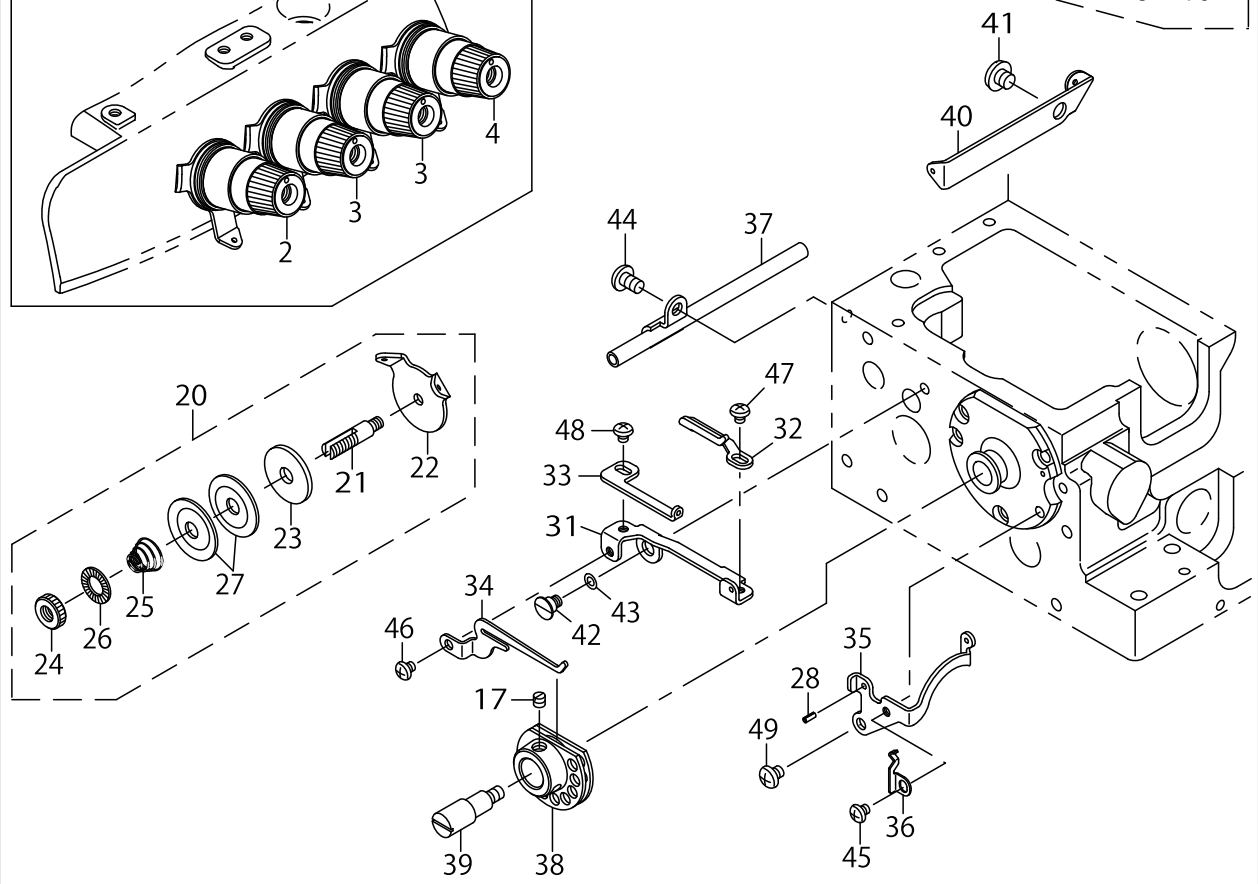
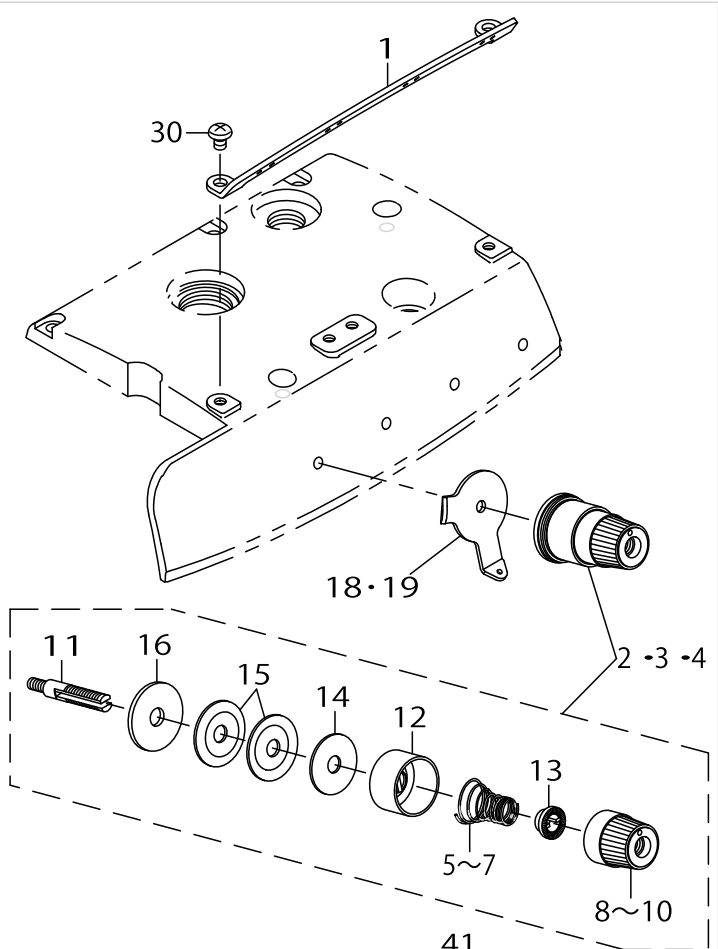
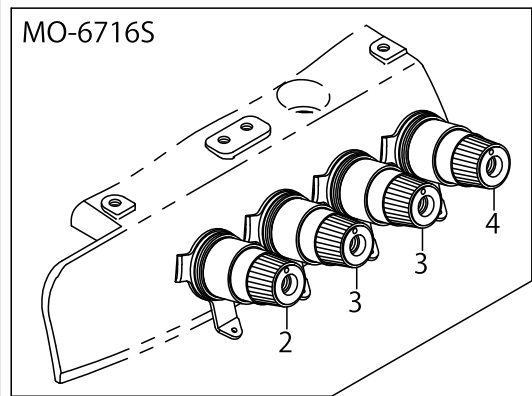
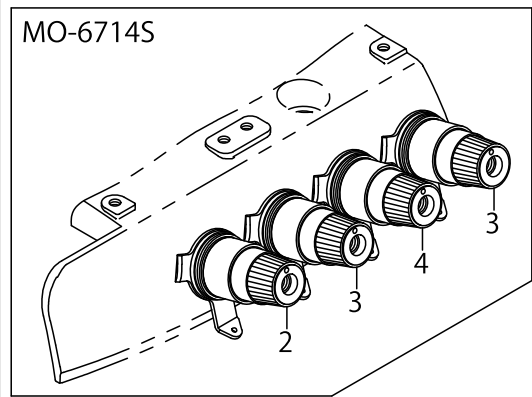
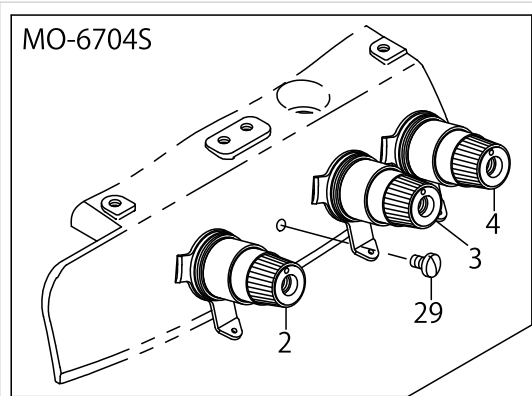
PRESSER FOOT COMPONENTS (2)



PRESSER FOOT COMPONENTS (2)

No.	Parts No.	Parts name	Remarks	Level	Cons	Qty
48	12156907	PRESSER FOOT HINGE		*		1

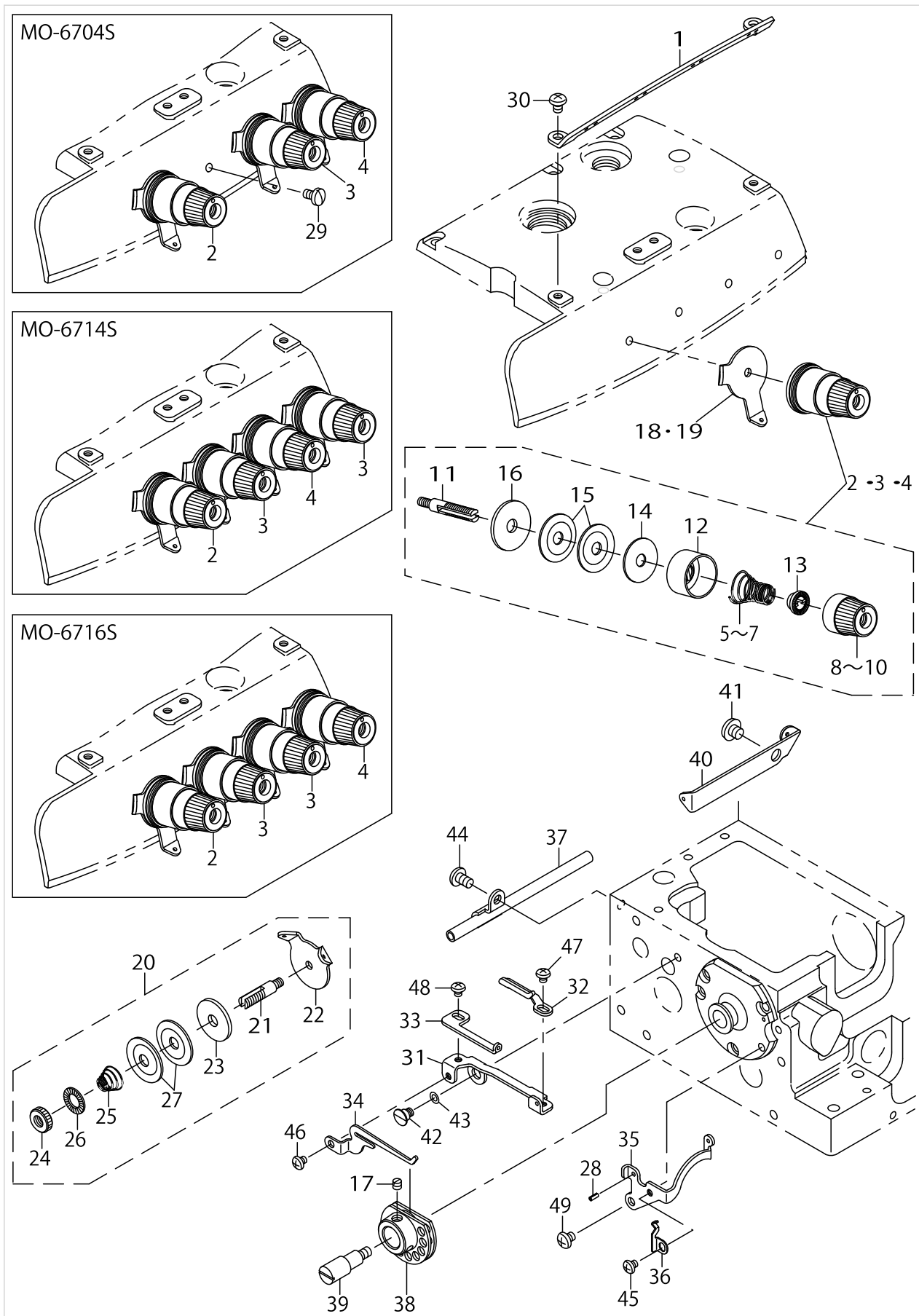
THREAD TENSION COMPONENTS



THREAD TENSION COMPONENTS

No.	Parts No.	Parts name	Remarks	Level	Cons	Qty
1	13225008	CENTER THREAD GUIDE				1
2	13137559	THREAD TENSION SPRING COMPL.				1
3	13138359	THREAD TENSION SPRING COMPL.	FOR MO-6704S(1 PC. IS USED.) FOR MO-6714S,MO-69-16S (2 PC. ARE USED.)			1
4	13138656	THREAD TENSION SPRING COMPL.				1
5	13137807	THREAD TENSION SPRING RED		*		1
6	13138508	THREAD TENSION SPRING YELLOW		*		1
7	13138805	THREAD TENSION SPRING BLUE		*		1
8	13137708	THREAD TENSION KNOB RED		*		1
9	13138409	THREAD TENSION KNOB YELLOW		*		1
10	13138706	THREAD TENSION KNOB BLUE		*		1
11	13138904	THREAD TENSION BAR		*		1
12	13137609	THREAD TENSION DISK PRESSER		*		1
13	13137906	SPRING BUSHING		*		1
14	13138102	THREAD TENSION SPRING FELT		*		1
15	13138201	THREAD TENSION DISK		*		2
16	13138003	THREAD TENSION RUBBER WASHER		*		1
17	SS8110410TP	SCREW 11/64-40 L=3.5	FOR MO-6716S			2
18	13225107	TESION DISK THREAD GUIDE	FOR MO-6704S			3
19	13225107	TESION DISK THREAD GUIDE	FOR MO-6714S,MO-6716S			4
20	13139555	THREAD TENSION POST CONPL.	FOR MO-6716S			1
21	13140009	THREAD TENSION POST		*		1
22	13139605	TESION DISK THREAD GUIDE		*		1
23	13139902	THREAD TENSION SPRING FELT		*		1
24	13139803	THREAD TENSION NUT		*		1
25	13139704	THREAD TENSION SPRING		*		1
26	22921407	ROTATION STOPPER		*		1
27	13138201	THREAD TENSION DISK		*		2
28	PS0200052KH	SPRING PIN 2.3X5	FOR MO-6716S			1
29	SS7110710SL	SCREW 11/64-40 L=7.0	FOR MO-6704S			1
30	SS4110615SP	SCREW 11/64-40 L=6				2
31	13128202	THREAD CAM THREAD GUIDE BASE	FOR MO-6716S			1
32	13128301	THREAD CAM THREAD GUIDE A	FOR MO-6716S			1
33	13128400	THREAD CAM THREAD GUIDE B	FOR MO-6716S			1
34	13128509	LOWER THREAD CAM HOOK	FOR MO-6716S			1
35	13128608	LOWER THREAD GUIDE	FOR MO-6716S			1
36	13128707	THREAD GUIDE BASE SPRING	FOR MO-6716S			1
37	13129259	LOOPER THREAD CAM ASM.	FOR MO-6716S			1
38	13129457	LOWER THREAD CAM COMPL.	FOR MO-6716S			1
39	B2202816000	SHAFT	FOR MO-6716S			1
40	13129101	LOWER THREAD CONDUIT GUIDE	FOR MO-6716S			1
41	SS5150510SP	SCREW 15/64-28 L=5	FOR MO-6716S			1
42	SD0600341TP	HINGE SCREW D=6.0 H=3.4	FOR MO-6716S			1
43	WZ0640312K0	WAVED WASHER	FOR MO-6716S			1
44	SM4050855SP	SCREW M5 L=8	FOR MO-6716S			1
45	SS4090415SP	SCREW 9/64-40 L=4	FOR MO-6716S			1

THREAD TENSION COMPONENTS

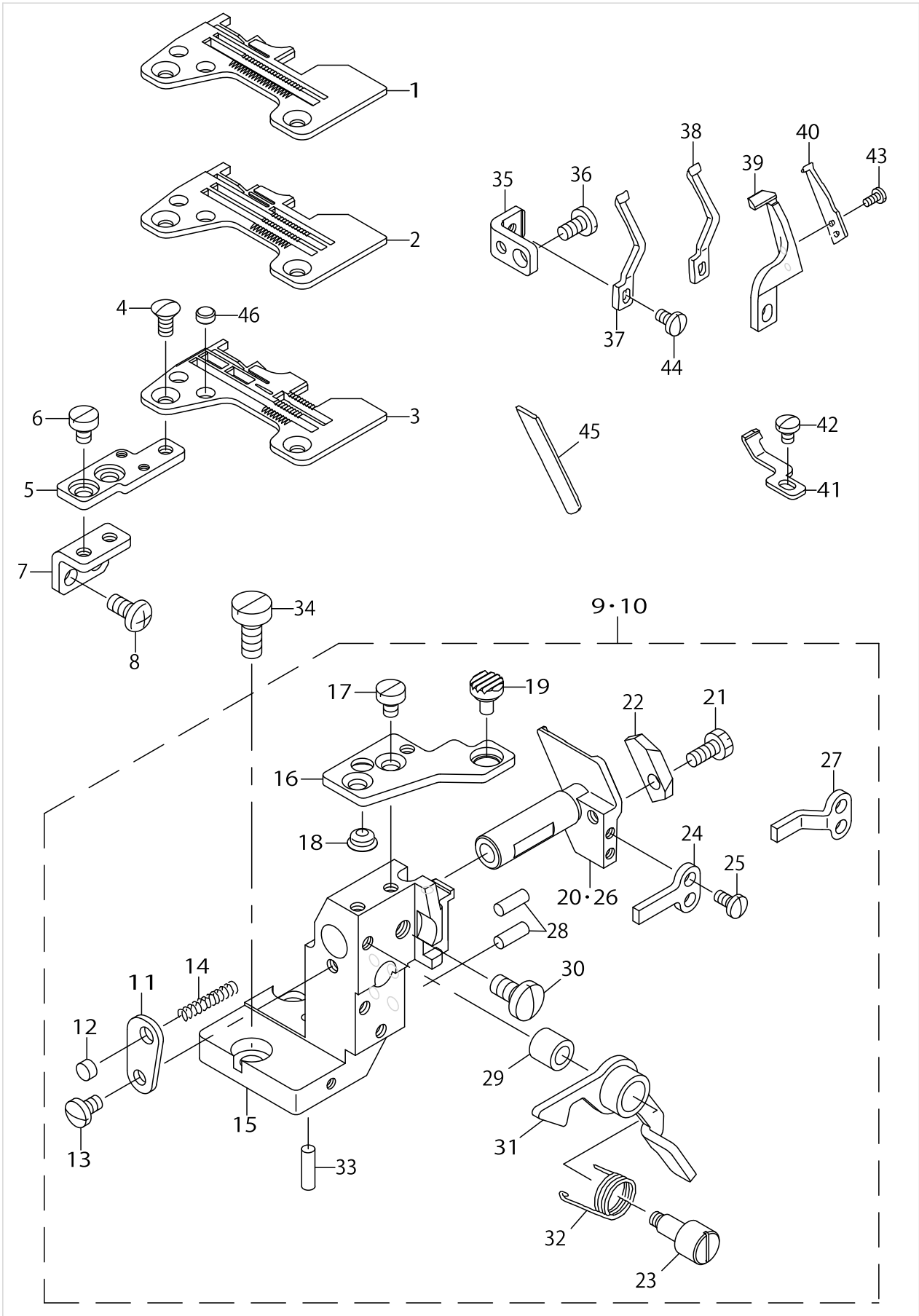


THREAD TENSION COMPONENTS

No.	Parts No.	Parts name	Remarks	Level	Cons	Qty
46	SS4090415SP	SCREW 9/64-40 L=4	FOR MO-6716S			1
47	SS4090415SP	SCREW 9/64-40 L=4	FOR MO-6716S			1
48	SS4090415SP	SCREW 9/64-40 L=4	FOR MO-6716S			1
49	SS4110515SP	SCREW 11/64-40 L=5	FOR MO-6716S			1



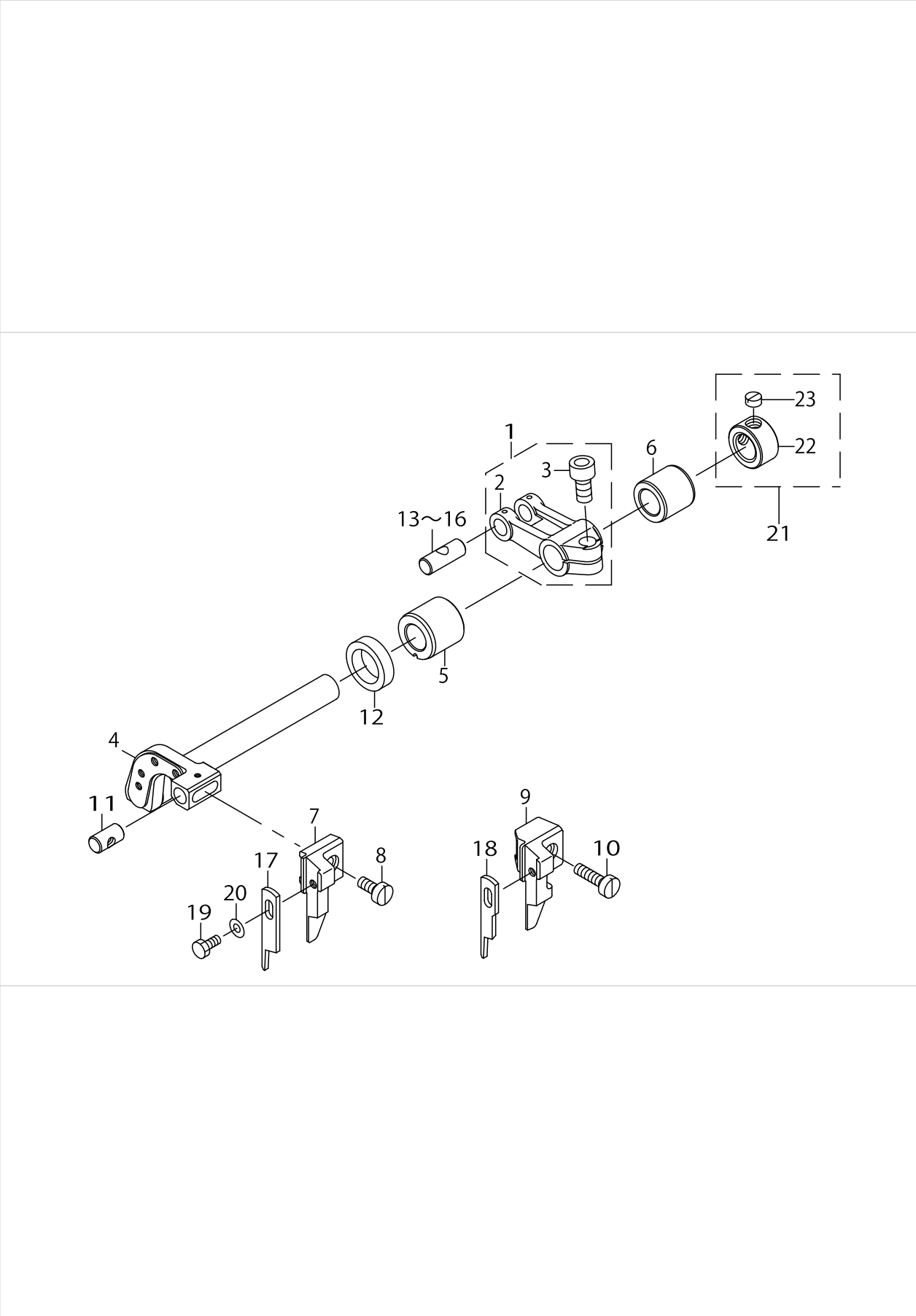
LOWER KNIFE COMPONENTS



LOWER KNIFE COMPONENTS

No.	Parts No.	Parts name	Remarks	Level	Cons	Qty
1	R4200J6ED00	THROAT PLATE	FOR MO-6704S			1
2	R4305J6EE00	THROAT PLATE	FOR MO-6714S			1
3	R4508J6ED00	THROAT PLATE	FOR MO-6716S			1
4	SS2110910SL	SCREW 11/64-40 L=9				2
5	13151204	THROAT PLATE BASE B				1
6	SS6110610TP	SCREW 11/64-40 L=6				2
7	12288908	THROAT PLATE BASE B SUPPORT				1
8	SM4051055SP	SCREW				2
9	13232657	LOWER KNIFE BRACKET ASM.	FOR MO-6704S,MO-6714S			1
10	13232756	LOWER KNIFE BRACKET ASM.	FOR MO-6716S			1
11	13149307	SPRING STOPPER		*		1
12	13102702	THROAT PLATE COVER		*		1
13	SS7110720SP	SCREW 11/64-40 L=7		*		1
14	13148101	SPRING		*		1
15	13149406	LOWER KNIFE BRACKET		*		1
16	13148309	THROAT PLATE BASE A		*		1
17	SS6110610TP	SCREW 11/64-40 L=6		*		2
18	13149109	RUBBER PLUG B		*		1
19	13235304	RUBBER PLUG A		*		1
20	13149505	LOWER KNIFE SLIDE STUD	FOR MO-6704S,MO-6714S	*		1
21	SS9111010SP	SCREW 11/64-40 L=9.5		*		1
22	13149208	LOWER KNIFE PRESSER PLATE		*		1
23	13148408	LEVER SHAFT		*		1
24	13149703	ROTATING STOPPER	FOR MO-6704S,MO-6714S	*		1
25	SS7090710SP	SCREW 9/64-40 L=6.8		*		2
26	13149604	LOWER KNIFE SLIDE STUD	FOR MO-6716S	*		1
27	13149802	ROTATING STOPPER	FOR MO-6716S	*		1
28	13149901	HOLDER PIN		*		2
29	13148903	RUBBER PLUG		*		1
30	SS7151120SP	SCREW 15/64-28 L=11		*		1
31	13148556	LEVER ASM.		*		1
32	13148804	LEVER SPRING		*		1
33	13149901	HOLDER PIN		*		1
34	SS6151440SP	SCREW 15/64-28 L=14				2
35	13151105	NEEDLE HOLDER SUPPORT				1
36	SS7110840SP	SCREW 11/64-40 L=7.8				1
37	11890100	NEEDLE GUARD	FOR MO-6704S			1
38	11890308	NEEDLE GUARD	FOR MO-6714S			1
39	12015301	NEEDLE HOLDER	FOR MO-6716S			1
40	12015400	NEEDLE HOLDER	FOR MO-6716S			1
41	12177903	NEEDLE HOLDER	FOR MO-6716S			1
42	SS7090510SP	SCREW 9/64-40 L=4.6	FOR MO-6716S			1
43	SS7060510SP	SCREW 3/32-56 L=4.8	FOR MO-6716S			2
44	SS7090610SP	SCREW 9/64-40 L=6				1
45	13150701	LOWER KNIFE				1
46	13102702	THROAT PLATE COVER				2

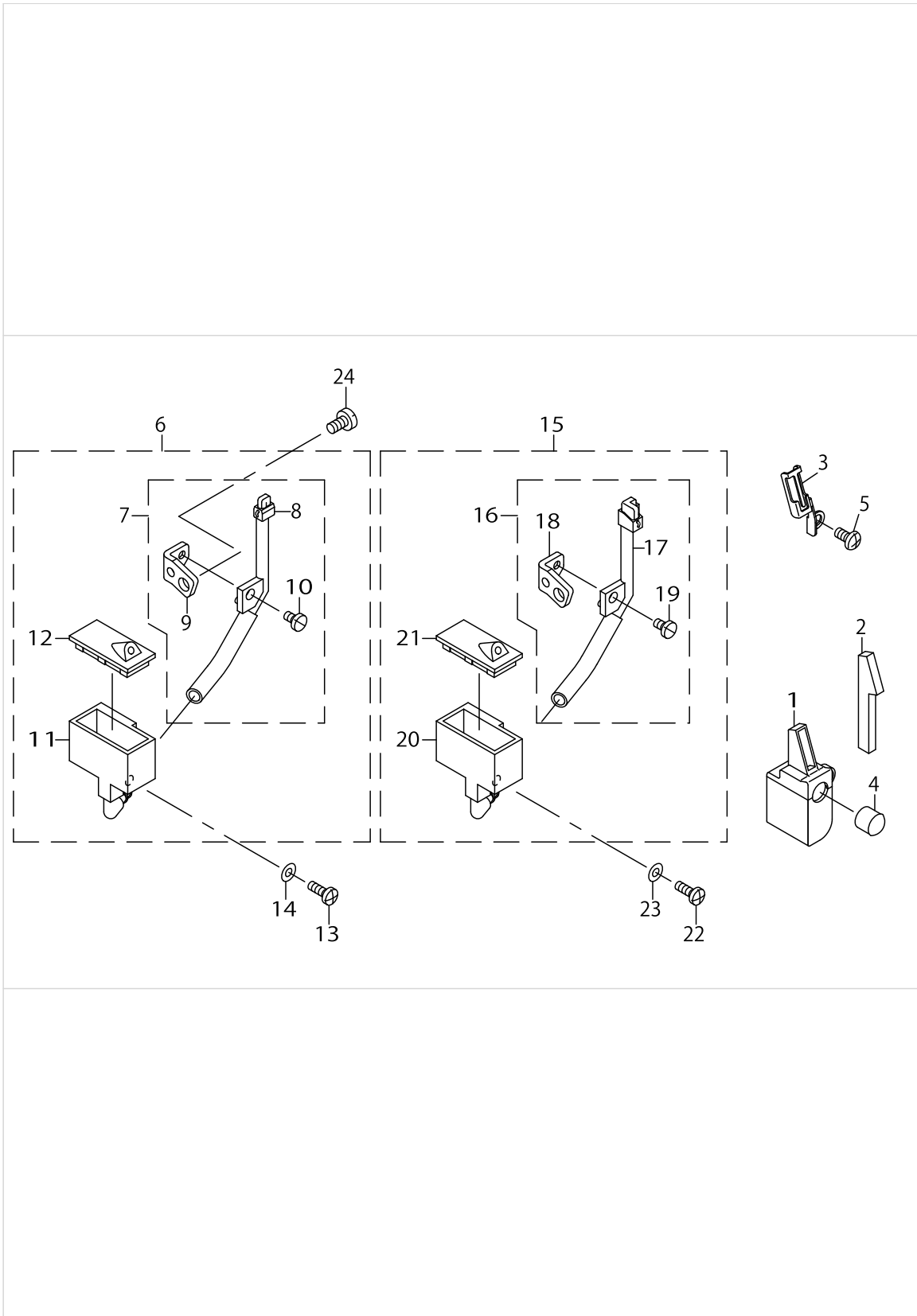
UPPER KNIFE COMPONENTS



UPPER KNIFE COMPONENTS

No.	Parts No.	Parts name	Remarks	Level	Cons	Qty
1	13147558	FEED FORKED ARM ASM.				1
2	13147509	FEED FORKED ARM		*		1
3	SM6061402TP	SCREW M6 L=14		*		1
4	13151303	KNIFE DRIVING ARM SHAFT				1
5	13150909	BUSHING FRONT				1
6	13151006	BUSHING REAR				1
7	13147400	PLAIN KNIFE SUPPORT A	FOR MO-6704S,MO-6714S			1
8	SS6111040SP	SCREW 11/64-40 L=9.5	FOR MO-6704S,MO-6714S			1
9	13147301	PLAIN KNIFE SUPPORT	FOR MO-6716S			1
10	SS6111610SP	SCREW 11/64-40 L=16	FOR MO-6716S			1
11	13150800	UPPER KNIFE GUIDE SHAFT				1
12	11566809	OIL SEAL				1
13	13122007	CRANK PIN A	SELECTIVE PARTS			1
14	13122106	CRANK PIN B	SELECTIVE PARTS			1
15	13122205	CRANK PIN C	SELECTIVE PARTS			1
16	13122304	CRANK PIN D	SELECTIVE PARTS			1
17	13150503	PLAIN KNIFE	FOR MO-6704S,MO-6714S			1
18	13150602	PLAIN KNIFE	FOR MO-6716S			1
19	SS9090823TP	BOLT 9/64-40 L=8				1
20	WP0370316SD	WASHER 3.7X8X0.3				1
21	CS111101HSH	THRUST COLLAR ASM.				1
22	CS1111019SH	THRUST COLLAR D=11.11 W=10		*		1
23	SS8660330SP	SCREW 1/4-40 L= 3.0		*		1

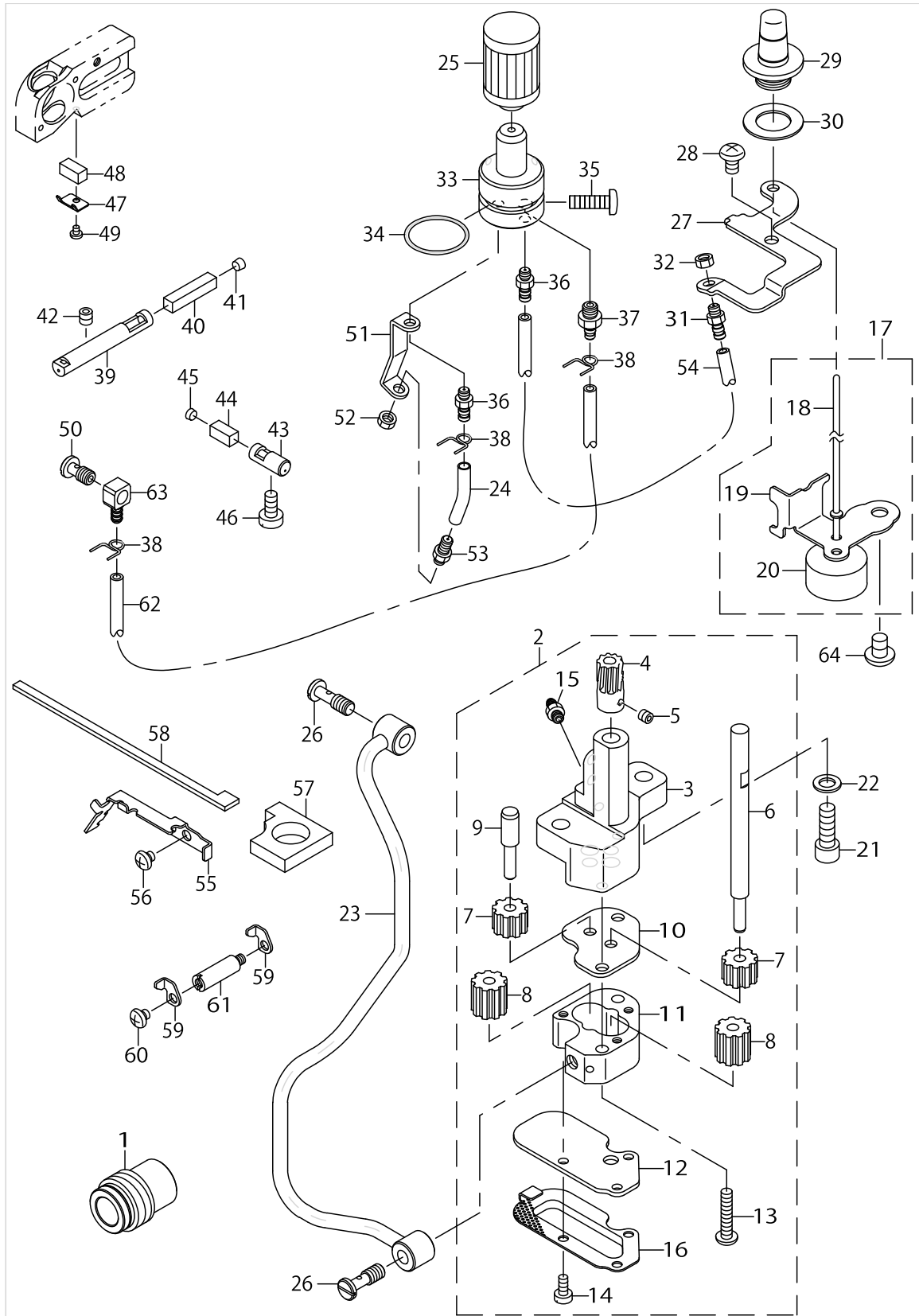
NEEDLE COOLING MECHANISM COMPONENTS (FOR SH)



NEEDLE COOLING MECHANISM COMPONENTS (FOR SH)

No.	Parts No.	Parts name	Remarks	Level	Cons	Qty
1	13163456	SILICON TANK ASM.				1
2	13163803	NEEDLE THREAD FELT				1
3	13163902	NEEDLE THREAD FELT PRESSER				1
4	TA0950806R0	RUBBER PLUG				1
5	SM4040855SP	SCREW				1
6	13162557	NEEDLE COOLER UNIT ASM. (OVER)	FOR MO-6704S,MO-6714S			1
7	13162565	NEEDLE COOLER UNIT COMPL.		*		1
8	13162573	NEEDLE COOLER UNIT ASM. (OVER)		*		1
9	13162805	NEEDLE COOLER SUPPORT		*		1
10	SS7090610SP	SCREW 9/64-40 L=6		*		1
11	13162904	TANK		*		1
12	13163001	TANK COVER		*		1
13	SS4091015SP	SCREW 9/64-40 L=10				1
14	WP0371026SD	WASHER 3.7X7X1				1
15	13163159	NEEDLE COOLER UNIT ASM.(INTER)	FOR MO-6716S			1
16	13163167	NEEDLE COOLER COMPL.(INTER)		*		1
17	13163175	NEEDLE COOLER ASM.(INTER)		*		1
18	13162805	NEEDLE COOLER SUPPORT		*		1
19	SS7090610SP	SCREW 9/64-40 L=6		*		1
20	13162904	TANK		*		1
21	13163001	TANK COVER		*		1
22	SS4091015SP	SCREW 9/64-40 L=10				1
23	WP0371026SD	WASHER 3.7X7X1				1
24	SS7110840SP	SCREW 11/64-40 L=7.8				1

# LUBRICATION MECHANISM COMPONENTS

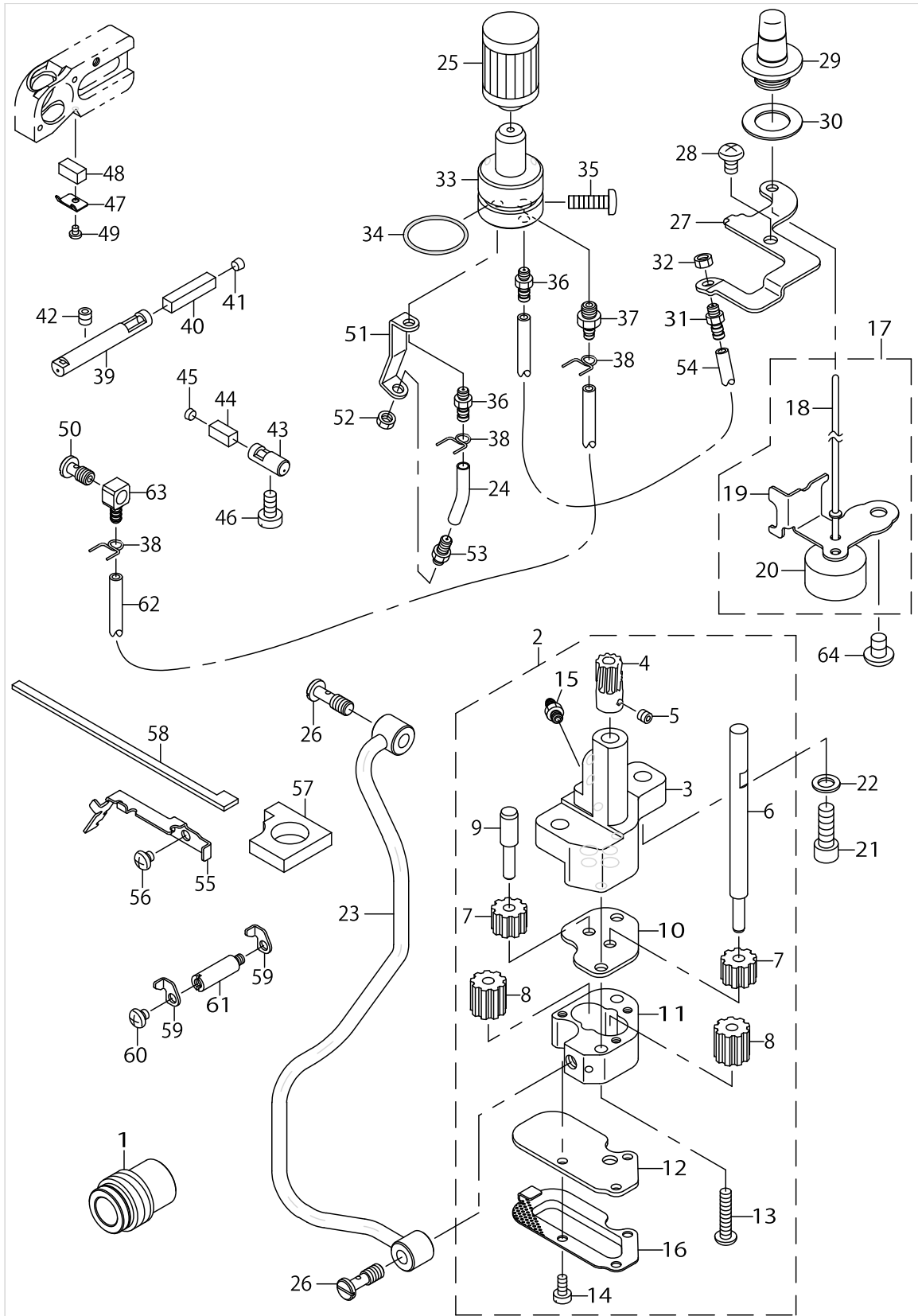


LUBRICATION MECHANISM COMPONENTS

No.	Parts No.	Parts name	Remarks	Level	Cons	Qty
1	13230305	WORM				1
2	40018044	OIL PUMP ASM				1
3	12315909	OIL PUMP		*		1
4	13343009	WORM WHEEL		*		1
5	SM8050412TP	SCREW M5 L=4		*		2
6	11918109	GEAR PUMP SHAFT LARGE		*		1
7	B3534352000	PINION GEAR		*		2
8	11840303	OIL PUMP PINION		*		2
9	12317004	GEAR PUMP SHAFT		*		1
10	12316006	PINION SPACER		*		1
11	12316105	CASING		*		1
12	40016762	PUMP COVER		*		1
13	SS4112215SP	SCREW 11/64-40 L=22		*		2
14	SS6090810SP	SCREW 9/64-40 L=7.5		*		3
15	SQ1110401MZ	CONNECTING SCREW		*		1
16	40016763	PUMP NET		*		1
17	13229356	FLOAT ASM.				1
18	12129904	OIL GAUGE BAR		*		1
19	13229307	FLOAT SUPPORT		*		1
20	12129805	FLOAT		*		1
21	SM6061802TP	SCREW M6 L=18				2
22	WP0651056SD	WASHER 6.5X11X1				2
23	13228655	LUBRICATION MECHANISM PIPE ASM				1
24	BP30000010R	VINYL PIPE				0.03
25	13142500	CARTRIDGE FILTER				1
26	SQ1150454SD	CONNECTING SCREW				2
27	13143805	EXHAUST PORT SUPPORT				1
28	SM4050855SP	SCREW				1
29	13143300	OIL GAUGE				1
30	13144001	OIL GAUGE GASKET				1
31	SQ1110451MZ	CONNECTING SCREW				1
32	NS6110310SP	NUT 11/64-40				1
33	13142955	FILTER GUIDE ASM.				1
34	13170808	RUBBER RING				1
35	SM4051601SC	SCREW M5X0.8 L=16				1
36	SQ1110451MZ	CONNECTING SCREW				2
37	SQ1150451MZ	CONNECTING SCREW				1
38	13142609	OIL TUBE HOLDER				3
39	13144100	OILING PIN				1
40	13144209	OIL FELT				1
41	TA0400301M0	PLUG D=4X4.5 L=3				1
42	SM8050502TP	SCREW M5 L=5				1
43	13143417	UPPER LOOPER OILING PIN				1
44	13143508	OIL FELT				1
45	13230107	UPPER LOOPER OILING PIN PLUG				1
46	SS6121020SP	SCREW 3/16-28 L=9.5				1
47	13143607	OIL FELT PRESSER				1



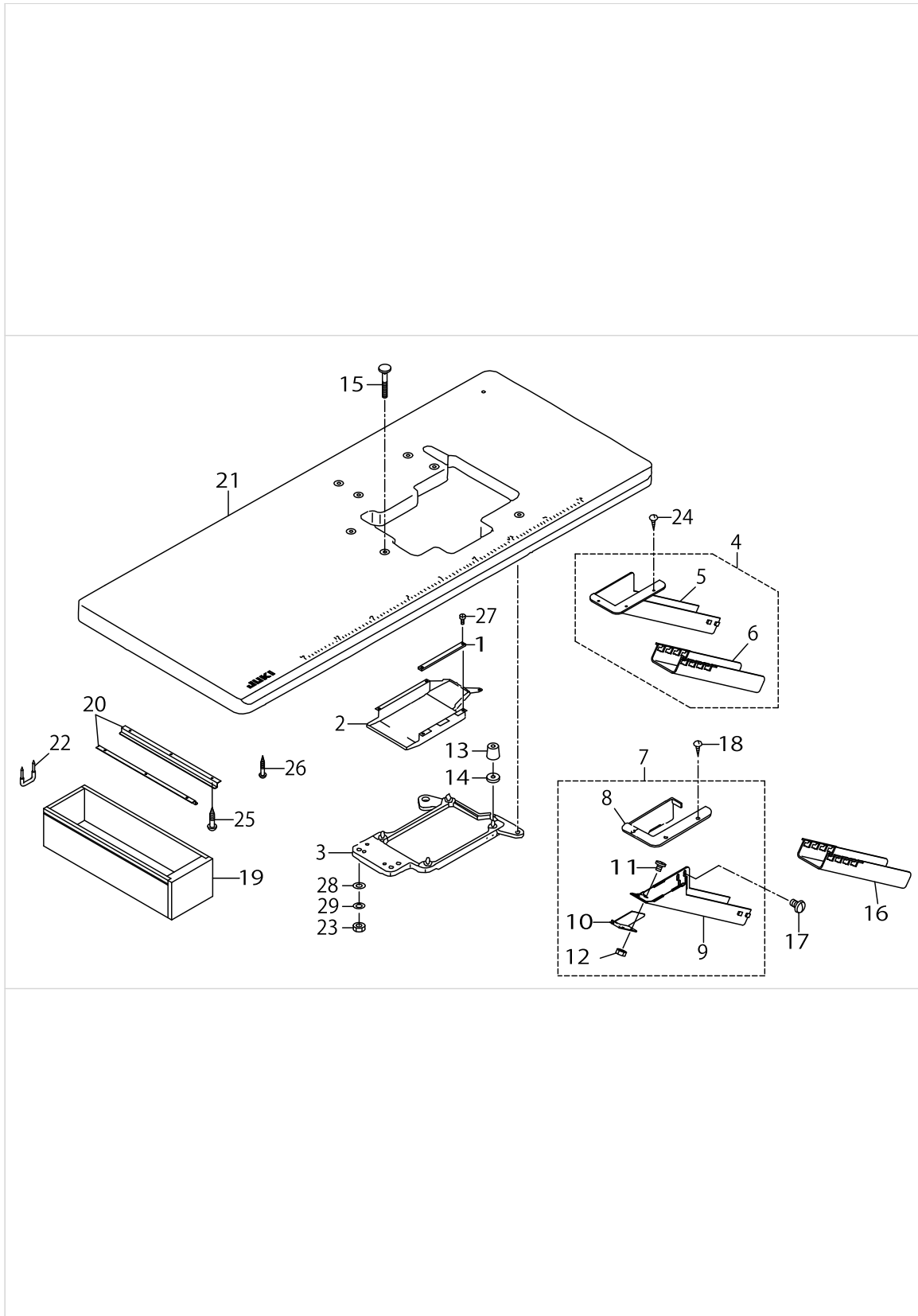
# LUBRICATION MECHANISM COMPONENTS



LUBRICATION MECHANISM COMPONENTS

No.	Parts No.	Parts name	Remarks	Level	Cons	Qty
48	13143706	OIL FELT				1
49	SS7060310SP	SCREW 3/32-56 L=3				1
50	SQ1150441SD	CONNECTING SCREW				1
51	13229208	WORM EXHAUST PORT GUIDE				1
52	NS6110310SP	NUT 11/64-40				1
53	SQ1110451MZ	CONNECTING SCREW				1
54	23630007	TUBE				0.17
55	13228804	OIL FELT GUIDE				1
56	31018005	SCREW				2
57	13229109	OIL FELT B				1
58	13229406	OIL FELT A				1
59	13228903	OIL FELT PRESSER				2
60	31018005	SCREW				1
61	13229000	FELT PRESSER SPACER				1
62	BP30000010R	VINYL PIPE				0.29
63	SQ0000451MZ	CONNECTING SCREW				1
64	SM4060801SE	SCREW				1

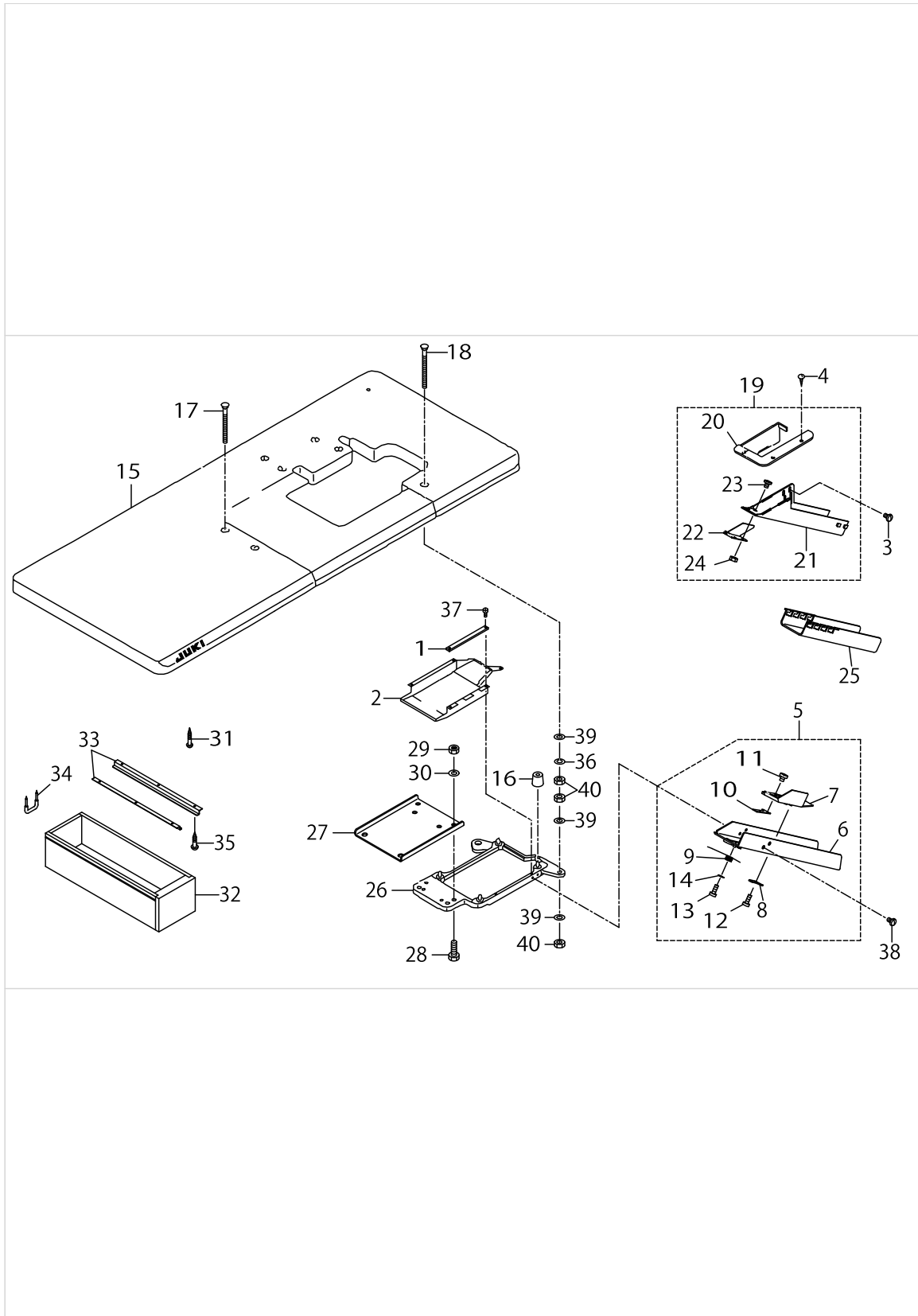
SEMI-SUNKEN TYPE TABLE COMPONENTS



SEMI-SUNKEN TYPE TABLE COMPONENTS

No.	Parts No.	Parts name	Remarks	Level	Cons	Qty
1	13161005	CASE SPONGE				1
2	13160908	COOLING FAN CASE				1
3	13161153	FRAME SUPPORT PLATE ASM.				1
4	12341954	CLOTH WASTE CHUTE ASM.	EXCEPT JE			1
5	12341905	CLOTH WASTE CHUTE(SEMI-SUNKEN)		*		1
6	12341806	CLOTH WASTE CHUTE		*		1
7	13155759	CLOTH WASTE CHUTE ASM.	FOR JE			1
8	13155601	CLOTH WASTE CHUTE INLET		*		1
9	13155700	CLOTH WASTE CHUTE UPPER		*		1
10	13155502	CHUTE SUPPORT		*		1
11	SS5090610SP	SCREW 9/64-40 L=6		*		3
12	NS6090310SP	NUT 9/64-40		*		3
13	13155403	DUST-PROOF RUBBER				4
14	13156500	DUST-PROOF RUBBER SPACER				4
15	13155007	HOLDING PLATE BOLT				4
16	12341806	CLOTH WASTE CHUTE	FOR JE			1
17	SS5110710SP	SCREW 11/64-40 L=7	FOR JE			2
18	SK2351600SC	WOOD SCREW D=3.5 L=16	FOR JE			3
19	11155108	DRAWER				1
20	11155207	DRAWER SUPPORT				2
21	11959400	TABLE (SEMI-SUNKEN)				1
22	D8204555D00	DRAWER STOPPER				1
23	NS6240630SE	NUT 3/8-18				4
24	SK2351600SC	WOOD SCREW D=3.5 L=16	EXCEPT JE			3
25	SK3311500SC	WOOD SCREW D=3.1 L=15				6
26	SK3513200SC	WOOD SCREW D=5.1 L=32				4
27	SS6090630TP	SCREW 9/64-40 L=6				5
28	WP1002036SE	WASHER 10X21X2				4
29	WS1002560KR	SPRING WASHER 10X18X2.5				4

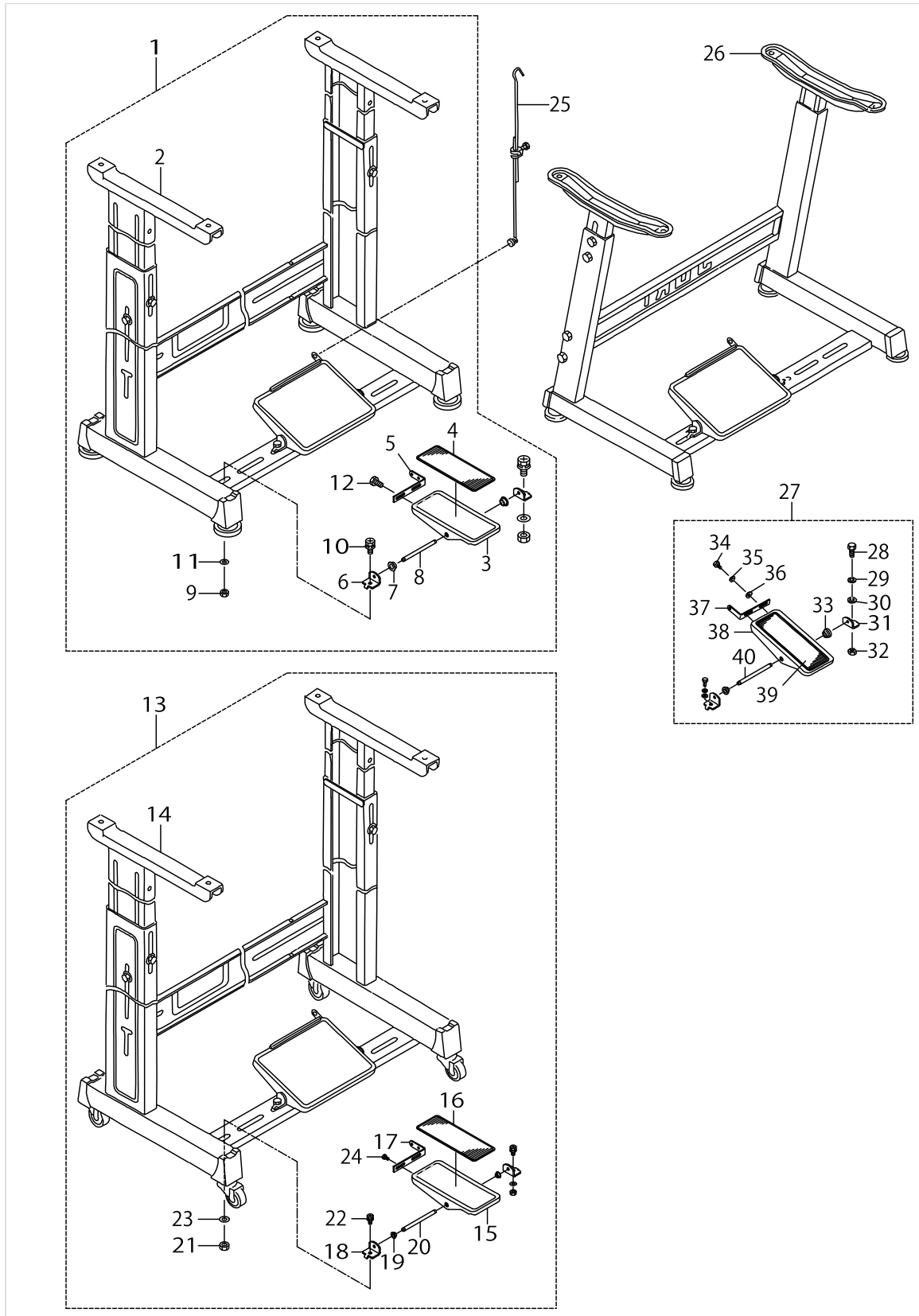
FULLY-SUNKEN TYPE TABLE COMPONENTS



FULLY-SUNKEN TYPE TABLE COMPONENTS

No.	Parts No.	Parts name	Remarks	Level	Cons	Qty
1	13161005	CASE SPONGE				1
2	13160908	COOLING FAN CASE				1
3	SS5110710SP	SCREW 11/64-40 L=7	FOR JE			2
4	SK2351600SC	WOOD SCREW D=3.5 L=16	FOR JE			3
5	13155858	CLOTH WASTE CHUTE ASM.	EXCEPT JE			1
6	13156203	CLOTH WASTE CHUTE		*		1
7	13156302	CLOTH WASTE CHUTE INLET		*		1
8	13155908	CHUTE INLET LEVER		*		1
9	13156005	CHUTE INLET SPRING		*		1
10	13156104	CHUTE INLET RUBBER		*		1
11	SS6090420SP	SCREW 9/64-40 L=4.0		*		2
12	ST60308210A	SCREW D=3-24 L=8		*		2
13	ST60308210A	SCREW D=3-24 L=8		*		1
14	WP0370316SD	WASHER 3.7X8X0.3		*		1
15	11959558	TABLE ASM.				1
16	13155403	DUST-PROOF RUBBER				4
17	13155106	HOLDING PLATE BOLT C				2
18	13155205	HOLDING PLATE BOLT D				2
19	13155759	CLOTH WASTE CHUTE ASM.	FOR JE			1
20	13155601	CLOTH WASTE CHUTE INLET		*		1
21	13155700	CLOTH WASTE CHUTE UPPER		*		1
22	13155502	CHUTE SUPPORT		*		1
23	SS5090610SP	SCREW 9/64-40 L=6		*		3
24	NS6090310SP	NUT 9/64-40		*		3
25	12341806	CLOTH WASTE CHUTE	FOR JE			1
26	13161153	FRAME SUPPORT PLATE ASM.				1
27	13155304	FRAME HOLDING PLATE COUPLING				1
28	SM9082513CF	SCREW M8 L=25				4
29	NM6080600SM	NUT M8				4
30	WP0850002SC	WASHER 8.5X18X1.6				4
31	SK3513200SC	WOOD SCREW D=5.1 L=32				4
32	11155108	DRAWER				1
33	11155207	DRAWER SUPPORT				2
34	D8204555D00	DRAWER STOPPER				1
35	SK3311500SC	WOOD SCREW D=3.1 L=15				6
36	WS1002560KR	SPRING WASHER 10X18X2.5				4
37	SS6090630TP	SCREW 9/64-40 L=6				5
38	SS5110710SP	SCREW 11/64-40 L=7	EXCEPT JE			2
39	WP1002036SE	WASHER 10X21X2				12
40	NS6240630SE	NUT 3/8-18				12

STAND COMPONENTS (Z-T )

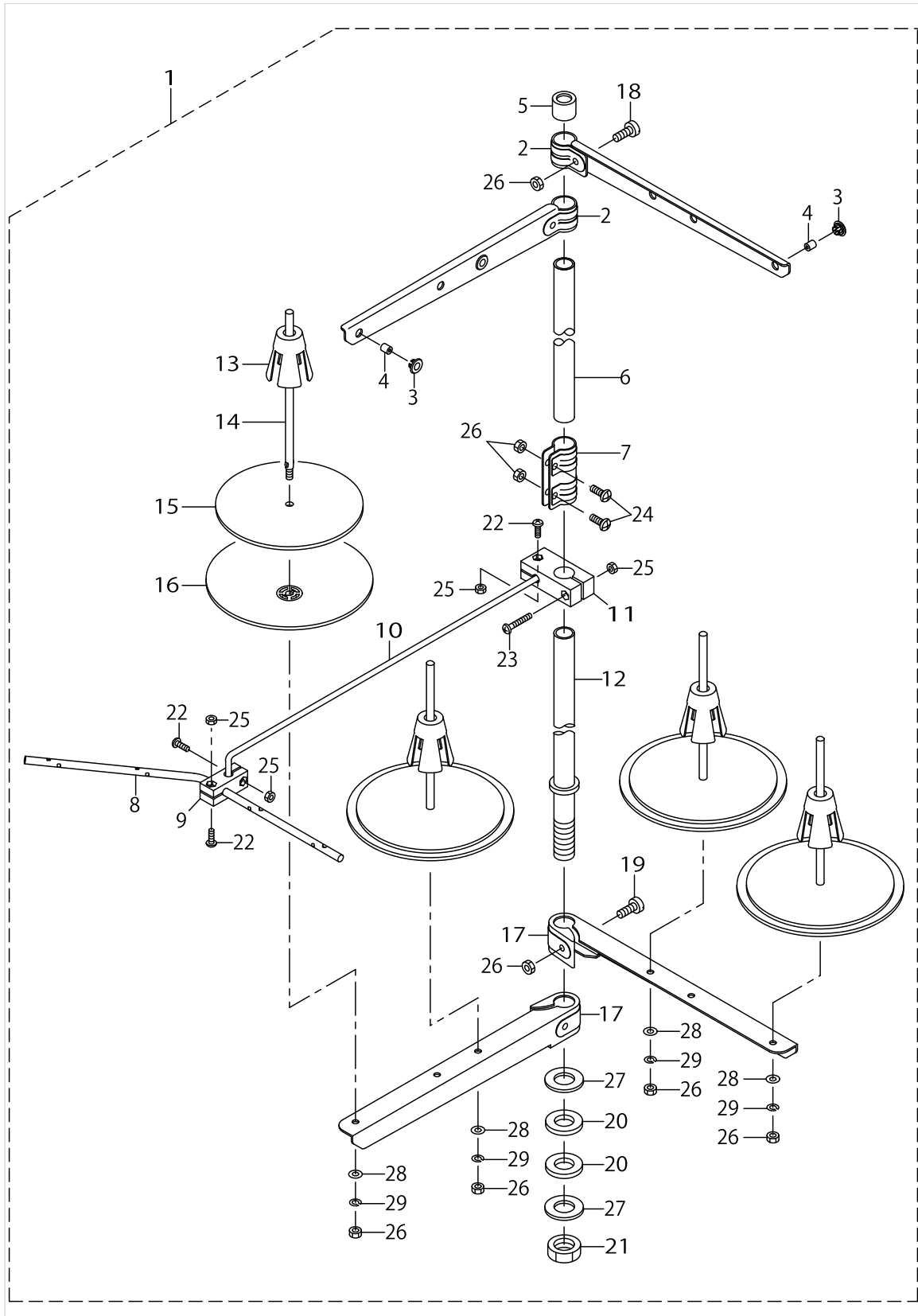


STAND COMPONENTS (Z-T )

No.	Parts No.	Parts name	Remarks	Level	Cons	Qty
1	11960655	T STAND JUNCTION				1
2	11157567	T LEG JUNCTION		*		1
3	GPF06060000	PEDAL		*		1
4	GPF06070000	PEDAL MAT		*		1
5	GPF06080000	PEDAL ADJUSTING PLATE		*		1
6	11159001	PEDAL SHAFT BRACKET		*		2
7	D8113555B00	PEDAL BUSHING		*		2
8	B8153771000	PEDAL CONNECTING ROD		*		1
9	NM6080001SE	NUT M8		*		2
10	SL9082091SE	WASHER HEXAGONAL BOLT		*		2
11	WP0871602SE	WASHER 8.7X18X1.6		*		2
12	SL9061291SE	WASHER HEXAGONAL BOLT M6 L=12		*		2
13	11960754	T STAND JUNCTION(WITH CASTER)				1
14	11159365	T STAND JUNCTION		*		1
15	GPF06060000	PEDAL		*		1
16	GPF06070000	PEDAL MAT		*		1
17	GPF06080000	PEDAL ADJUSTING PLATE		*		1
18	11159001	PEDAL SHAFT BRACKET		*		2
19	D8113555B00	PEDAL BUSHING		*		2
20	B8153771000	PEDAL CONNECTING ROD		*		1
21	NM6080001SE	NUT M8		*		2
22	SL9082091SE	WASHER HEXAGONAL BOLT		*		2
23	WP0871602SE	WASHER 8.7X18X1.6		*		2
24	SL9061291SE	WASHER HEXAGONAL BOLT M6 L=12		*		2
25	B71140120A0	MOTOR CONNECTING ROD ASM.				1
26	11151065	Z LEG JUNCTION (B)				1
27	B81517710A0	PEDAL ASM.				1
28	SM9082023SE	SCREW M8 L=20		*		2
29	WS0861410KR	SPRING WASHER 8.6X15X1.4		*		2
30	WP0871602SE	WASHER 8.7X18X1.6		*		4
31	11151909	PEDAL SHAFT BRACKET		*		2
32	NM6080721SE	NUT M8		*		2
33	D8113555B00	PEDAL BUSHING		*		2
34	SM9061203SE	SCREW M6 L=12		*		2
35	WS0621210KR	SPRING WASHER 6.2X11.4X1.2		*		2
36	WP0671016SE	WASHER 6.7X13X1		*		2
37	11246600	PEDAL ADJUSTING PLATE		*		1
38	11246501	PEDAL		*		1
39	B8152771000	PEDAL MAT		*		1
40	B8153771000	PEDAL CONNECTING ROD		*		1



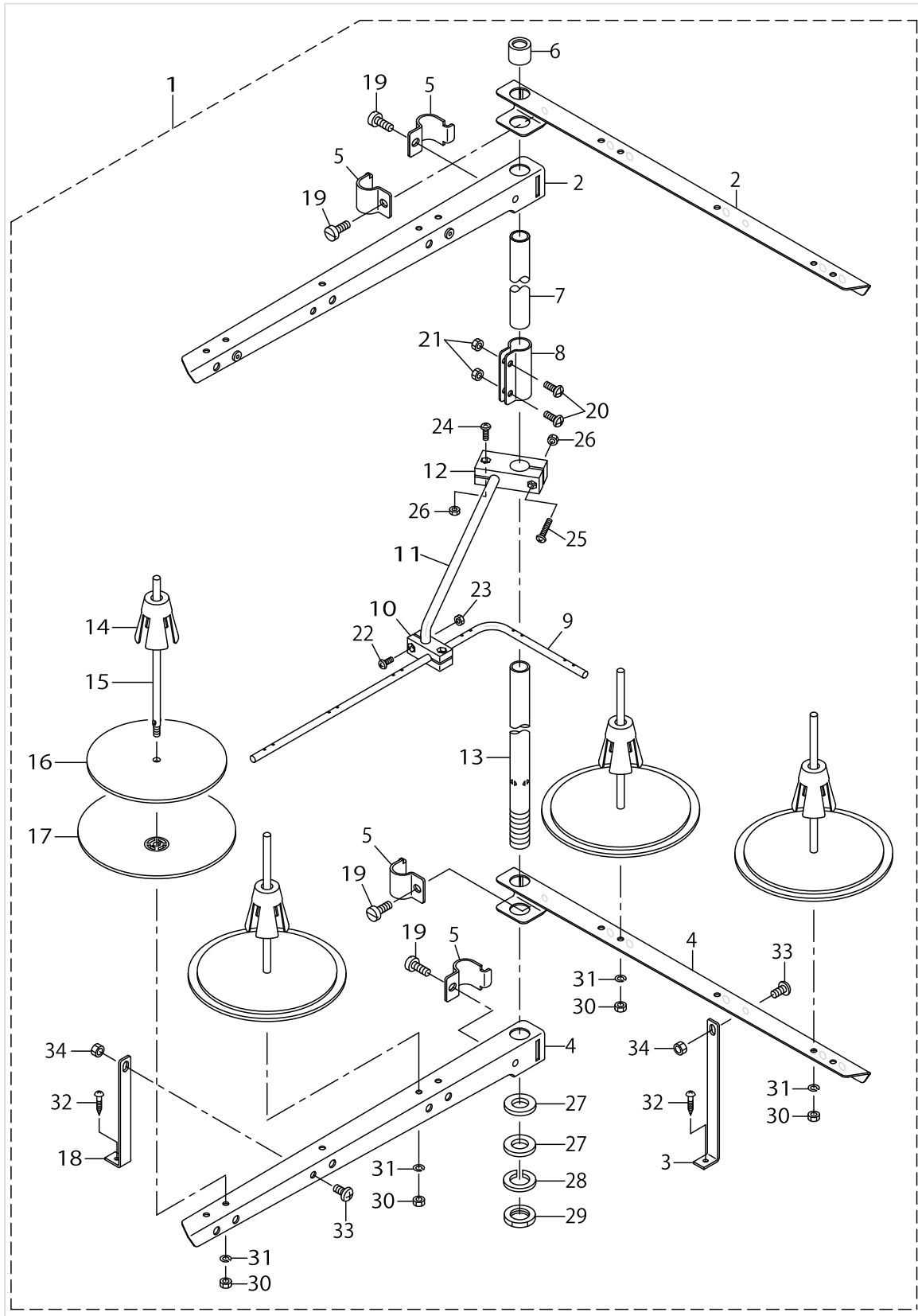
THREAD STAND COMPONENTS (FOR MO-6704S,MO-6714S)



THREAD STAND COMPONENTS (FOR MO-6704S,MO-6714S)

No.	Parts No.	Parts name	Remarks	Level	Cons	Qty
1	40106590	THREAD STAND ASM.				1
2	40085787	SPOOL REST ARM UPPER		*		2
3	40085795	THREAD GUIDE BUSHING		*		4
4	40085794	THREAD GUIDE		*		4
5	40085793	SPOOL REST ROD RUBBER CAP		*		1
6	40085785	SPOOL REST ROD UPPER		*		1
7	40085792	SPOOL REST ROD JOINT		*		1
8	40106582	THREAD GUIDE 4		*		1
9	40106580	THREAD GUIDE UNDER BASE		*		1
10	40106576	THREAD GUIDE ARM		*		1
11	40106579	THREAD GUIDE ARM BASE		*		1
12	40085784	SPOOL REST ROD LOWER		*		1
13	40085791	SPOOL RETAINER		*		4
14	40085790	SPOOL PIN		*		4
15	40085789	SPOOL REST CUSHION		*		4
16	40085788	SPOOL REST		*		4
17	40085786	SPOOL REST ARM LOWER		*		2
18	40096327	SPOOL REST ARM UPPER SCREW		*		2
19	40096326	SPOOL REST ARM LOWER SCREW		*		2
20	40085796	SPOOL REST ROD RUBBER CUSHION		*		2
21	40096325	SPOOL REST ROD NUT		*		1
22	SM4041201SC	SCREW M4 L=12		*		3
23	SM4042501SC	SCREW M4X0.7 L=25		*		1
24	SM4051405SE	SCREW M5 L=14		*		2
25	NM6040002SC	NUT M4		*		4
26	NM6050001SE	NUT M5		*		10
27	WP1612616SE	WASHER 16X30X2.6		*		2
28	WP0531001SC	WASHER M5		*		4
29	WS0510002KN	SPRING WASHER M5		*		4

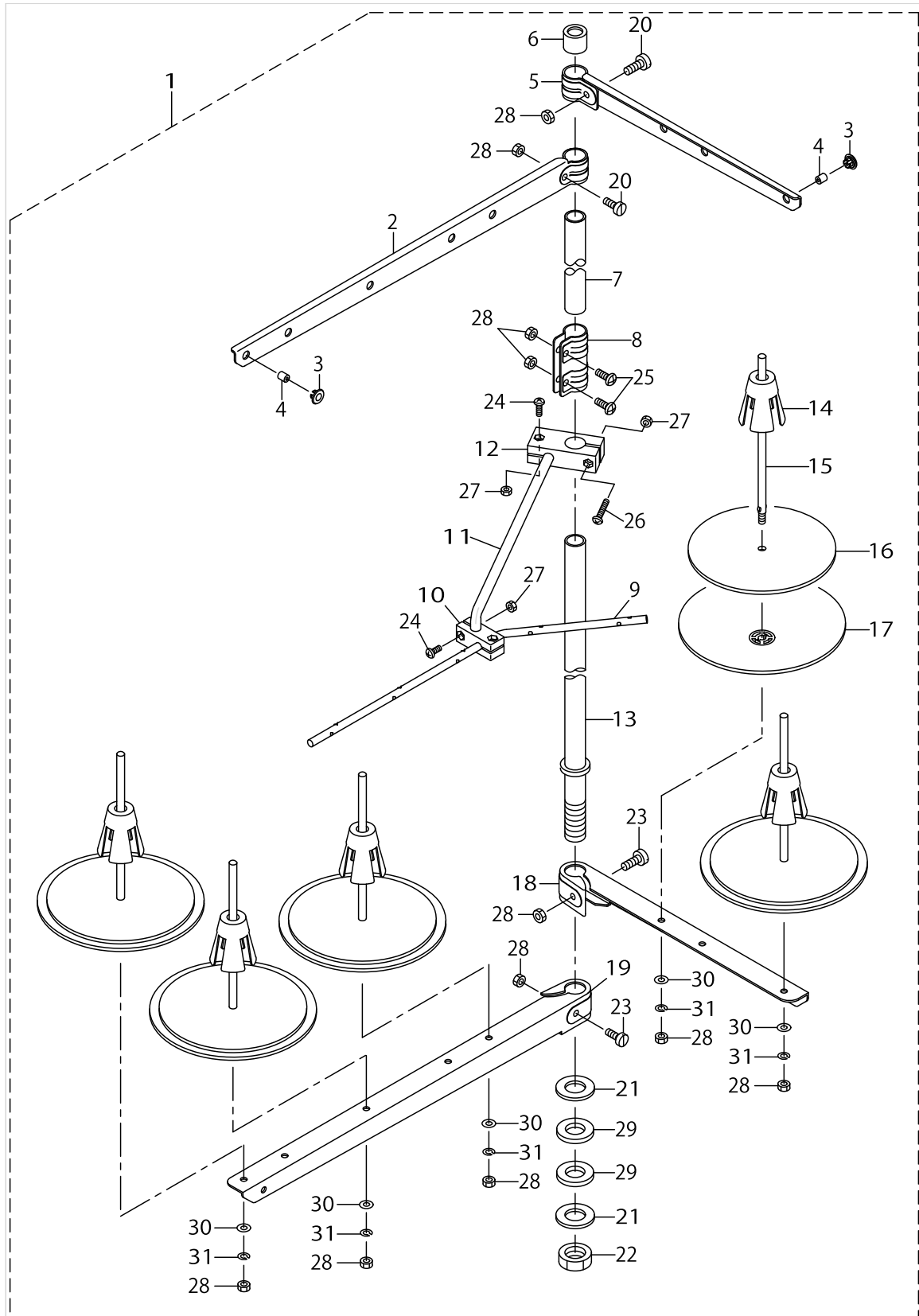
THREAD STAND COMPONENTS (MO-6704S,MO-6714S SPECIAL ORDER PARTS)



THREAD STAND COMPONENTS (MO-6704S,MO-6714S SPECIAL ORDER PARTS)

No.	Parts No.	Parts name	Remarks	Level	Cons	Qty
1	40106593	THREAD STAND ASM.				1
2	40106575	SPOOL REST LONG ARM UPPER		*		2
3	40085795	THREAD GUIDE BUSHING		*		4
4	40085794	THREAD GUIDE		*		4
5	40096327	SPOOL REST ARM UPPER SCREW		*		2
6	40106577	SPOOL REST ARM LOWER A		*		1
7	40106574	SPOOL REST LONG ARM LOWER		*		2
8	40096326	SPOOL REST ARM LOWER SCREW		*		2
9	40106578	SPOOL REST ARM LOWER B		*		1
10	40085784	SPOOL REST ROD LOWER		*		1
11	40096325	SPOOL REST ROD NUT		*		1
12	40085789	SPOOL REST CUSHION		*		4
13	40085796	SPOOL REST ROD RUBBER CUSHION		*		2
14	40085785	SPOOL REST ROD UPPER		*		1
15	40085793	SPOOL REST ROD RUBBER CAP		*		1
16	40085792	SPOOL REST ROD JOINT		*		1
17	40106576	THREAD GUIDE ARM		*		1
18	40106579	THREAD GUIDE ARM BASE		*		1
19	40106582	THREAD GUIDE 4		*		1
20	40106580	THREAD GUIDE UNDER BASE		*		1
21	40085788	SPOOL REST		*		4
22	40085790	SPOOL PIN		*		4
23	40085791	SPOOL RETAINER		*		4
24	SM4041201SC	SCREW M4 L=12		*		3
25	SM4051405SE	SCREW M5 L=14		*		2
26	SM4042501SC	SCREW M4X0.7 L=25		*		1
27	SM4051001SE	SCREW M5 L=10		*		2
28	SK3412001SE	WOOD SCREW D=4.1 L=20		*		2
29	NM6050001SE	NUT M5		*		12
30	NM6040002SC	NUT M4		*		4
31	WP0531001SC	WASHER M5		*		4
32	WP1612616SE	WASHER 16X30X2.6		*		2
33	WS0510002KN	SPRING WASHER M5		*		4

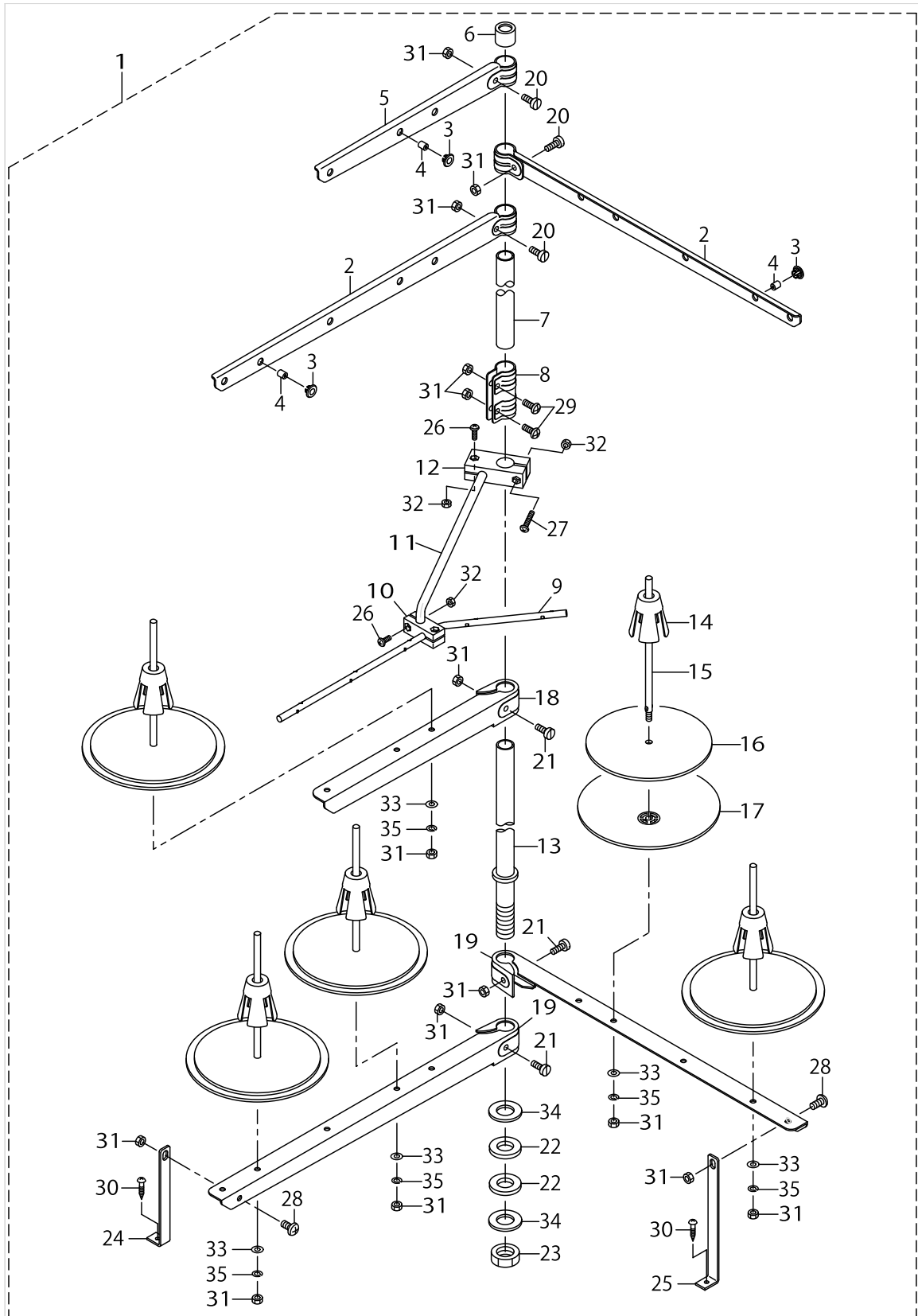
THREAD STAND COMPONENTS (FOR MO-6716S)



THREAD STAND COMPONENTS (FOR MO-6716S)

No.	Parts No.	Parts name	Remarks	Level	Cons	Qty
1	40106591	THREAD STAND ASM.				1
2	40106575	SPOOL REST LONG ARM UPPER		*		1
3	40085794	THREAD GUIDE		*		5
4	40085795	THREAD GUIDE BUSHING		*		5
5	40085787	SPOOL REST ARM UPPER		*		1
6	40085793	SPOOL REST ROD RUBBER CAP		*		1
7	40085785	SPOOL REST ROD UPPER		*		1
8	40085792	SPOOL REST ROD JOINT		*		1
9	40106581	THREAD GUIDE 5		*		1
10	40106580	THREAD GUIDE UNDER BASE		*		1
11	40106576	THREAD GUIDE ARM		*		1
12	40106579	THREAD GUIDE ARM BASE		*		1
13	40085784	SPOOL REST ROD LOWER		*		1
14	40085791	SPOOL RETAINER		*		5
15	40085790	SPOOL PIN		*		5
16	40085789	SPOOL REST CUSHION		*		5
17	40085788	SPOOL REST		*		5
18	40085786	SPOOL REST ARM LOWER		*		1
19	40106574	SPOOL REST LONG ARM LOWER		*		1
20	40096327	SPOOL REST ARM UPPER SCREW		*		2
21	40085796	SPOOL REST ROD RUBBER CUSHION		*		2
22	40096325	SPOOL REST ROD NUT		*		1
23	40096326	SPOOL REST ARM LOWER SCREW		*		2
24	SM4041201SC	SCREW M4 L=12		*		3
25	SM4051405SE	SCREW M5 L=14		*		2
26	SM4042501SC	SCREW M4X0.7 L=25		*		1
27	NM6040002SC	NUT M4		*		4
28	NM6050001SE	NUT M5		*		11
29	WP1612616SE	WASHER 16X30X2.6		*		2
30	WP0531001SC	WASHER M5		*		5
31	WS0510002KN	SPRING WASHER M5		*		5

THREAD STAND COMPONENTS (MO-6716S SPECIAL ORDER PARTS)

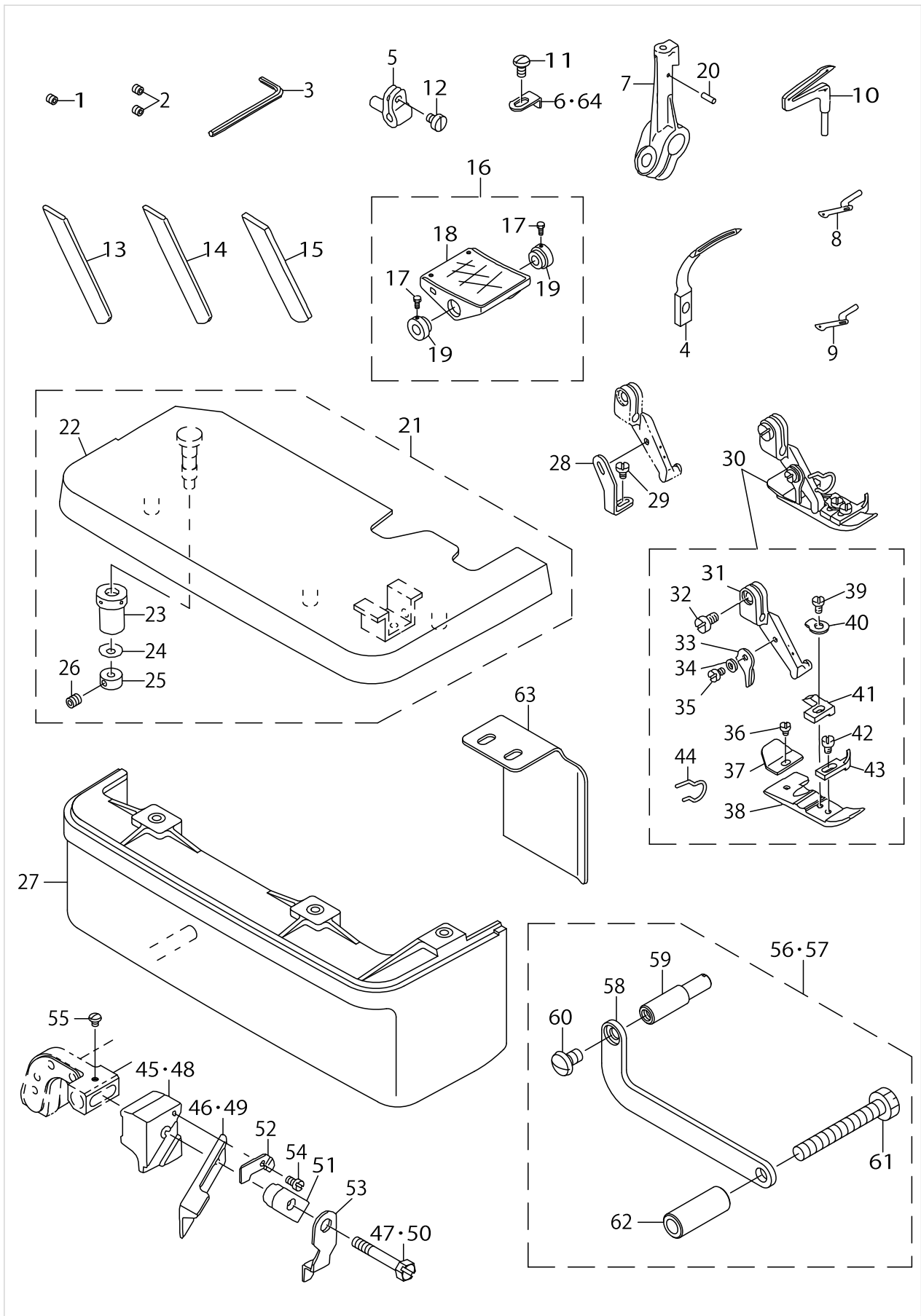


THREAD STAND COMPONENTS (MO-6716S SPECIAL ORDER PARTS)

No.	Parts No.	Parts name	Remarks	Level	Cons	Qty
1	40106604	THREAD STAND ASM.				1
2	40106575	SPOOL REST LONG ARM UPPER		*		2
3	40085794	THREAD GUIDE		*		5
4	40085795	THREAD GUIDE BUSHING		*		5
5	40085787	SPOOL REST ARM UPPER		*		1
6	40085793	SPOOL REST ROD RUBBER CAP		*		1
7	40085785	SPOOL REST ROD UPPER		*		1
8	40085792	SPOOL REST ROD JOINT		*		1
9	40106581	THREAD GUIDE 5		*		1
10	40106580	THREAD GUIDE UNDER BASE		*		1
11	40106576	THREAD GUIDE ARM		*		1
12	40106579	THREAD GUIDE ARM BASE		*		1
13	40085784	SPOOL REST ROD LOWER		*		1
14	40085791	SPOOL RETAINER		*		5
15	40085790	SPOOL PIN		*		5
16	40085789	SPOOL REST CUSHION		*		5
17	40085788	SPOOL REST		*		5
18	40085786	SPOOL REST ARM LOWER		*		1
19	40106574	SPOOL REST LONG ARM LOWER		*		2
20	40096327	SPOOL REST ARM UPPER SCREW		*		3
21	40096326	SPOOL REST ARM LOWER SCREW		*		3
22	40085796	SPOOL REST ROD RUBBER CUSHION		*		2
23	40096325	SPOOL REST ROD NUT		*		1
24	40106577	SPOOL REST ARM LOWER A		*		1
25	40106578	SPOOL REST ARM LOWER B		*		1
26	SM4041201SC	SCREW M4 L=12		*		3
27	SM4042501SC	SCREW M4X0.7 L=25		*		1
28	SM4051001SE	SCREW M5 L=10		*		2
29	SM4051405SE	SCREW M5 L=14		*		2
30	SK3412001SE	WOOD SCREW D=4.1 L=20		*		2
31	NM6050001SE	NUT M5		*		15
32	NM6040002SC	NUT M4		*		4
33	WP0531001SC	WASHER M5		*		5
34	WP1612616SE	WASHER 16X30X2.6		*		2
35	WS0510002KN	SPRING WASHER M5		*		5



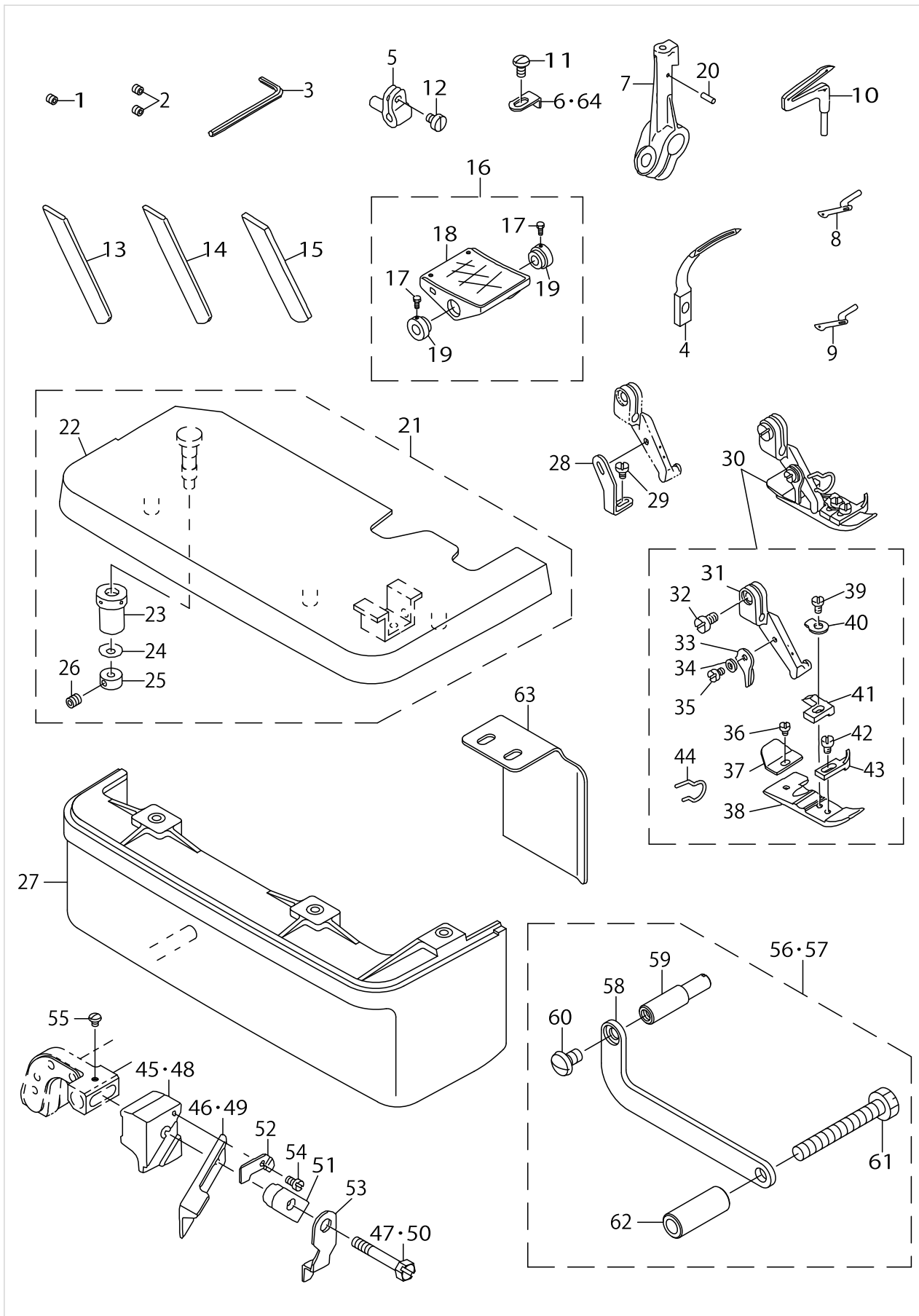
SPECIAL ORDER PARTS COMPONENTS



SPECIAL ORDER PARTS COMPONENTS

No.	Parts No.	Parts name	Remarks	Level	Cons	Qty
1	SS8080322TP	SCREW 1/8-44 L=3.2	FOR MO-6704S			1
2	SS8080322TP	SCREW 1/8-44 L=3.2	FOR MO-6714S,MO-6716S			2
3	B9112804000	SPANNER				1
4	12120713	CHAIN LOOPER	FOR MO-6716S			1
5	11544707	UPPER LOOPER SUPPORT ARM				1
6	11898103	PRESSER FOOT AUXILIARY PLATE	FOR MO-6704S			1
7	12123709	LOWER LOOPER SUPPORT ARM				1
8	B2519804000	UPPER LOOPER	FOR MO-6704S,MO-6716S			1
9	B2519814000	UPPER LOOPER	FOR MO-6714S			1
10	B2521804000	LOWER LOOPER				1
11	SS4080620TP	SCREW 1/8-44 L=6	FOR MO-6704S			1
12	SS6080410SP	SCREW 1/8-44 L=4				1
13	11847605	LOWER KNIFE				1
14	11964509	CERAMIC LOWER KNIFE				1
15	11992005	LOWER KNIFE				1
16	11965753	PEDAL ASM.				1
17	SM9061203SE	SCREW M6 L=12		*		2
18	11965704	PEDAL		*		1
19	11965803	PEDAL THRUST COLLAR		*		2
20	PS0200062KH	SPRING PIN 2X6				1
21	12105458	CLOTH PLATE ASM.	FOR MO-6716S			1
22	12104550	CLOTH PLATE ASM.		*		1
23	11501301	ECCENTRIC BUSHING		*		1
24	WZ0420350KP	DISC SPRING		*		1
25	CS0400671SD	THRUST HOLDER		*		1
26	SM8040302TP	SETSCREW		*		1
27	11949104	CLOTH BASE COVER	FOR MO-6716S			1
28	B1539804000	PRESSER FOOT FIXING PLATE	FOR MO-6704S			1
29	SS6060410TP	SCREW 3/32-56 L=3.5	FOR MO-6704S			1
30	12152468	PRESSER FOOT(FINGER GUARD)	FOR MO-6714S			1
31	11872009	PRESSER FOOT HINGE		*		1
32	SS6090670TP	SCREW 9/64-40 L=6		*		1
33	B1530804000	STOPPER		*		1
34	WP0250516SD	WASHER 2.5X6X0.5		*		1
35	SS7060610SP	SCREW 3/32-56 L=5.5		*		1
36	SS6060210SP	SCREW 3/32-56 L=1.9		*		1
37	B1511814000	REAR PRESSER FOOT		*		1
38	B150781400P	PRESSER FOOT		*		1
39	SS7080520SP	SCREW 1/8-44 L=4.9		*		1
40	B150880400B	SPRING		*		1
41	12160008	STITCH TONGUE		*		1
42	SS6060440TP	SCREW 3/32-56 L=3.5		*		1
43	B1510814000	CURL GUARD		*		1
44	13178306	FINGER GUARD				1
45	11598000	UPPER KNIFE SUPPORT	FOR MO-6704S			1
46	11845807	UPPER KNIFE	FOR MO-6704S			1
47	SS9111610SP	SCREW 11/64-40 L=16	FOR MO-6704S			1

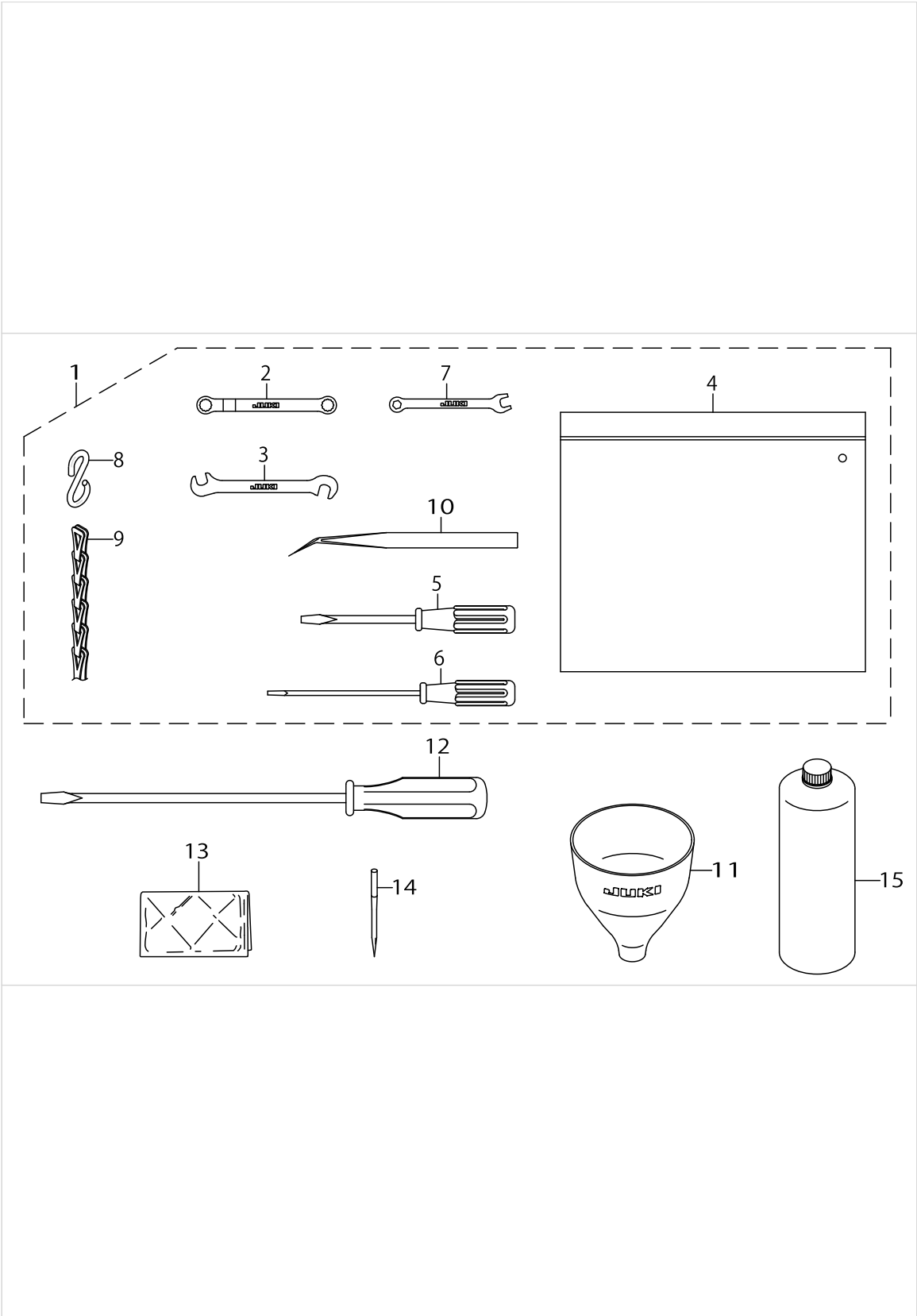
SPECIAL ORDER PARTS COMPONENTS



SPECIAL ORDER PARTS COMPONENTS

No.	Parts No.	Parts name	Remarks	Level	Cons	Qty
48	11845500	UPPER KNIFE SUPPORT	FOR MO-6716S			1
49	11845906	UPPER KNIFE	FOR MO-6716S			1
50	SS9112310SP	SCREW 11/64-40 L=23	FOR MO-6716S			1
51	11565504	UPPER KNIFE PRESSER PLATE	FOR MO-6716S			1
52	11565702	WASHER				1
53	11848405	UPPER KNIFE COVER				1
54	SS4060310SP	SCREW 3/32-56 L=2.5				1
55	SS4060310SP	SCREW 3/32-56 L=2.5				1
56	40025294	SYNCHRONIZER STOPPER ASM.				1
57	40011755	SYNCHRONIZER TURN STOPPER ASM				1
58	40011757	SYNCHRONIZER STOPPER BASE		*		1
59	40022255	SYNCHRONIZER STOPPER		*		1
60	SS5120810SP	SCREW		*		1
61	SS9154540SP	SCREW 15/64-28 L=45		*		1
62	40011758	SYNCHRONIZER BASE COLLAR		*		1
63	40036778	V_BELT SLIDER				1
64	40030533	PRESSER FOOT AUXILIARY PLATE	FOR MO-6714S			1

ACCESSORIES PARTS COMPONENTS



ACCESSORIES PARTS COMPONENTS

No.	Parts No.	Parts name	Remarks	Level	Cons	Qty
1	13160858	ACCESSORIE BAG ASM.				1
2	13160007	RING SPANNER		*		1
3	13160205	PIN SPANNER		*		1
4	22932800	ACCESSORIE BAG		*		1
5	22933105	SCREW DRIVER MIDDLE		*		1
6	12347308	SCREW DRIVER (SMALL)		*		1
7	13160106	SPANNER (5X6)		*		1
8	13160304	S SHAPED HOOK		*		2
9	13160403	CHAIN		*		1
10	12288403	TWEEZERS		*		1
11	13160601	FUNNEL				1
12	22933006	SCREW DRIVER LARGE				1
13	40048535	HEAD_COVER				1
14	MDC270B1104	NEEDLE DCX27 #11-4EA.				1
15	MML018900CA	JUKI MACHINE OIL 18				1



## HOW TO MAKE USE OF THIS PARTS LIST

### 1.Explanation of codes

1)"\*"mark.....means this part is changed from the previous parts book.

As to the details of the change, refer to the "List for information of change".

2)"#01".....refer to "Note" explanation at bottom of page.

### 2.Codes on the "Qty" column

- Each numeral indicates the number of parts required.
- "0.1" and "2.5" indicate the length (in meters) of the respective parts.

3.Parentheses mean that the corresponding part is a subpart that constructs an assembly part.

4.Dotted lines on the Figures indicate assembly parts.

### 1."注記"欄の記号説明

1) "\*"印.....前回のパーツブックに比較して今回変更された部品を意味します。

変更内容は、"変更情報リスト"を参照してください。

2) "#01".....ページ下の"注記"の説明を参照してください。

2.数量欄の数字は、個数を表し、0.1、2.5等の数値は、長さ（単位メートル）を表します。

3.数量欄の（ ）は、組部品を構成している子部品であることを意味します。

4.イラストページの-----枠は、組構成であることを意味します。



# NUMERICAL INDEX OF PARTS

PART NO	PAGE	REF NO.	PART NO	PAGE	REF NO.	PART NO	PAGE	REF NO.
10753309	6	39	12015301	40	39	12340709	22	27
11151065	54	26	12015400	40	40	12340907	24	66
11151909	54	31	12104550	64	22	12341806	50	16
11155108	50	19	12105458	64	21	12341806	52	25
11155108	52	32	12109153	8	28	12341905	50	5
11155207	50	20	12116604	16	18~22	12341954	50	4
11155207	52	33	12116703	16	18~22	12342101	2	11
11157567	54	2	12116802	16	18~22	12347308	68	6
11159001	54	18	12116901	16	18~22	13100805	2	16
11159365	54	14	12117008	16	18~22	13100904	2	15
11246501	54	38	12118303	18	9	13101001	2	21
11246600	54	37	12120150	8	38	13101209	2	18
11501301	64	23	12120705	26	11	13101308	2	30
11544707	64	5	12120713	64	4	13101407	2	19
11565504	66	51	12121612	26	34	13101506	2	25
11565702	66	52	12122362	8	30	13101605	2	26
11566809	42	12	12123360	8	34	13101704	2	28
11598000	64	45-48	12123709	64	7	13101803	2	32
11840303	46	8	12129805	46	20	13101902	2	36
11845500	66	45-48	12129904	46	18	13102058	2	35
11845807	64	46-49	12132155	8	43	13102207	2	45
11845906	66	46-49	12152468	64	30	13102405	2	3
11847605	64	13	12153763	32	35	13102504	6	20
11848405	66	53	12156907	34	48	13102553	6	19
11872009	32	20	12160008	64	41	13102603	6	23
11872009	64	31	12162202	32	41	13102702	40	46
11876166	32	4	12164802	32	37	13102900	6	38
11876869	32	19	12167409	32	40	13103650	2	34
11888104	22	14	12167508	32	43	13103809	2	13
11890001	22	1	12167607	32	42	13103908	6	24
11890100	40	37	12167706	32	46	13104005	2	1
11890308	40	38	12167805	32	38	13104104	4	51
11898103	64	6-64	12176004	22	15	13104203	2	2
11918109	46	6	12177903	40	41	13104302	2	44
11949104	64	27	12257002	14	64	13104500	6	10
11959400	50	21	12288403	68	10	13104807	6	29
11959558	52	15	12288700	28	33	13104906	8	20
11960655	54	1	12288908	40	7	13107602	8	4
11960754	54	13	12315909	46	3	13107701	8	10
11964509	64	14	12316006	46	10	13107800	8	6
11965704	64	18	12316105	46	11	13108006	8	23
11965753	64	16	12317004	46	9	13108105	8	24
11965803	64	19	12340402	24	50	13108204	8	25
11992005	64	15	12340501	24	48	13108303	8	27
11999307	22	13	12340600	22	25	13108402	8	8

# NUMERICAL INDEX OF PARTS

PART NO	PAGE	REF NO.	PART NO	PAGE	REF NO.	PART NO	PAGE	REF NO.
13108501	8	9	13119805	16	42	13127105	26	18
13110002	12	15	13119904	16	33	13127204	26	23~26
13110101	12	5	13119953	16	32	13127303	26	23~26
13110200	12	22	13120001	16	41	13127402	26	23~26
13110259	12	21	13120605	16	2	13127501	26	23~26
13110507	12	2	13120803	18	33	13128103	26	16
13110556	12	1	13120902	18	29	13128202	36	31
13110606	12	4	13121009	18	31	13128301	36	32
13110705	12	24	13121058	18	30	13128400	36	33
13110804	12	25	13121108	20	52	13128509	36	34
13110903	12	26	13121207	18	43	13128608	36	35
13111000	12	27	13121256	18	42	13128707	36	36
13111109	12	31	13121306	18	40	13129101	36	40
13111208	12	34	13121405	18	26	13129259	36	37
13111307	12	35	13121603	20	49	13129309	22	21
13111406	12	36	13121900	18	45	13129309	26	7
13111505	12	38	13122007	14	49~52	13129457	36	38
13111604	12	39	13122007	16	35~38	13129853	26	1
13111703	12	40	13122007	42	13~16	13129903	26	6
13115001	28	1	13122106	14	49~52	13129952	26	5
13115407	28	8	13122106	16	35~38	13131008	22	5
13115654	28	32	13122106	42	13~16	13131057	22	4
13115753	28	9	13122205	14	49~52	13131107	22	8
13115803	28	10	13122205	16	35~38	13131156	22	7
13115902	28	11	13122205	42	13~16	13131206	22	37~41
13116009	28	12	13122304	14	49~52	13131305	22	37~41
13116108	28	13	13122304	16	35~38	13131404	22	37~41
13116207	28	18	13122304	42	13~16	13131503	22	37~41
13116306	28	20	13122403	16	5	13131602	22	37~41
13116405	28	22	13122452	16	4	13131701	22	44
13116504	28	23	13122502	16	13	13131800	22	46
13116603	28	24	13122700	18	18	13131909	22	45
13116702	32	2	13122809	18	24	13132006	22	47
13116801	28	7	13123302	18	39	13132501	22	20
13116900	28	21	13123302	28	44	13132550	22	19
13117007	28	19	13125901	26	13	13132709	24	56
13117106	28	34	13125950	26	12	13133053	22	24
13117205	32	1	13126008	26	4	13137559	36	2
13118054	16	1	13126354	26	9	13137609	36	12
13118708	16	16	13126503	26	19~22	13137708	36	8~10
13119300	16	14	13126602	26	19~22	13137807	36	5~7
13119409	16	23	13126701	26	19~22	13137906	36	13
13119508	16	24	13126800	26	19~22	13138003	36	16
13119607	16	25	13126909	26	3	13138102	36	14
13119706	16	39	13127006	26	17	13138201	36	27

# NUMERICAL INDEX OF PARTS

PART NO	PAGE	REF NO.	PART NO	PAGE	REF NO.	PART NO	PAGE	REF NO.
13138359	36	3	13150503	42	17	13162565	44	7
13138409	36	8~10	13150602	42	18	13162573	44	8
13138508	36	5~7	13150701	40	45	13162805	44	18
13138656	36	4	13150800	42	11	13162904	44	20
13138706	36	8~10	13150909	42	5	13163001	44	21
13138805	36	5~7	13151006	42	6	13163159	44	15
13138904	36	11	13151105	40	35	13163167	44	16
13139555	36	20	13151204	40	5	13163175	44	17
13139605	36	22	13151303	42	4	13163456	44	1
13139704	36	25	13155007	50	15	13163803	44	2
13139803	36	24	13155106	52	17	13163902	44	3
13139902	36	23	13155205	52	18	13170006	6	9
13140009	36	21	13155304	52	27	13170105	6	21
13142500	46	25	13155403	50	13	13170204	6	11
13142609	14	48	13155403	52	16	13170204	18	34
13142609	46	38	13155502	50	10	13170303	8	14
13142955	46	33	13155502	52	22	13170402	28	37
13143300	46	29	13155601	50	8	13170501	20	48
13143417	46	43	13155601	52	20	13170600	22	17
13143508	46	44	13155700	50	9	13170808	46	34
13143607	46	47	13155700	52	21	13171004	6	22
13143706	48	48	13155759	50	7	13172507	16	10
13143805	46	27	13155759	52	19	13172556	16	9
13144001	46	30	13155858	52	5	13172705	14	55
13144100	46	39	13155908	52	8	13172754	14	54
13144209	46	40	13156005	52	9	13172903	2	38
13147301	42	9	13156104	52	10	13175005	14	62
13147400	42	7	13156203	52	6	13175203	14	63
13147509	42	2	13156302	52	7	13178306	32	33
13147558	42	1	13156500	50	14	13178306	64	44
13148101	40	14	13160007	68	2	13178405	32	47
13148309	40	16	13160106	68	7	13191309	20	70
13148408	40	23	13160205	68	3	13191408	20	71
13148556	40	31	13160304	68	8	13191606	20	64
13148804	40	32	13160403	68	9	13192000	20	65
13148903	40	29	13160601	68	11	13192406	20	66
13149109	40	18	13160700	6	43	13192802	20	67
13149208	40	22	13160858	68	1	13193206	20	68
13149307	40	11	13160908	50	2	13193602	20	69
13149406	40	15	13160908	52	2	13200209	6	1
13149505	40	20·26	13161005	50	1	13200308	6	2
13149604	40	20·26	13161005	52	1	13200506	6	5
13149703	40	24	13161153	50	3	13200605	6	6
13149802	40	27	13161153	52	26	13200704	2	7
13149901	40	33	13162557	44	6	13200803	2	8

NUMERICAL INDEX OF PARTS

PART NO	PAGE	REF NO.	PART NO	PAGE	REF NO.	PART NO	PAGE	REF NO.
13200902	20	54	13216205	18	21	13343009	46	4
13201009	6	12	13216304	18	23	22901805	6	37
13201108	6	28	13216601	16	28	22921407	36	26
13201207	6	33	13216700	16	29	22924708	6	8
13201306	6	32	13216809	16	26	22932800	68	4
13201405	6	16	13217351	18	47	22933006	68	12
13201454	6	15	13217401	20	57	22933105	68	5
13201603	2	42	13217500	20	58	23630007	12	45
13204003	6	35	13217708	18	36	23630007	48	54
13205406	8	19	13217807	16	12·31	31018005	48	60
13207808	12	20	13217906	16	12·31	40010804	24	55
13208004	14	68	13218052	20	50	40010805	26	10
13208103	12	17	13218102	20	56	40011234	22	35
13208350	12	16	13220009	26	15	40011755	66	56·57
13208459	12	42	13221403	22	29~31	40011757	66	58
13208509	12	43	13221502	22	29~31	40011758	66	62
13208608	12	47	13221601	22	29~31	40015637	22	10·11
13208707	12	30	13221700	22	32~34	40016762	46	12
13208806	12	28	13221809	22	32~34	40016763	46	16
13208905	12	29	13221908	22	32~34	40016841	22	10·11
13209101	12	9~11	13222203	24	52	40017714	8	47
13209200	12	9~11	13222302	24	53	40017824	8	41
13209309	12	9~11	13222609	22	2	40018044	46	2
13209408	12	12~14	13222708	22	3	40022255	66	59
13209507	12	12~14	13225008	36	1	40023234	8	2
13209606	12	12~14	13225107	36	18·19	40023235	8	1
13209705	12	19	13228655	46	23	40025294	66	56·57
13209804	12	7	13228804	48	55	40030533	32	34
13209853	12	6	13228903	48	59	40030533	66	6·64
13212501	28	39	13229000	48	61	40034897	28	31
13212709	28	35	13229109	48	57	40035711	10	48
13212808	28	41	13229208	48	51	40036778	66	63
13212915	28	43	13229307	46	19	40037392	6	45
13213012	18	38	13229356	46	17	40040065	6	46
13213012	28	42	13229406	48	58	40048535	68	13
13215157	18	1	13230107	46	45	40085784	56	12
13215306	18	4	13230305	46	1	40085784	58	10
13215405	18	5	13232657	40	9·10	40085784	60	13
13215504	18	6	13232756	40	9·10	40085784	62	13
13215603	18	7	13235304	40	19	40085785	56	6
13215702	18	11	13240007	4	48~50	40085785	58	14
13215801	18	17	13240106	4	48~50	40085785	60	7
13215900	18	13	13240205	4	48~50	40085785	62	7
13216007	18	14	13244009	12	46	40085786	56	17
13216106	18	19	13244108	16	30	40085786	60	18

# NUMERICAL INDEX OF PARTS

PART NO	PAGE	REF NO.	PART NO	PAGE	REF NO.	PART NO	PAGE	REF NO.
40085786	62	18	40096325	62	23	B1211804000	8	18
40085787	56	2	40096326	56	19	B1212704000	8	17
40085787	60	5	40096326	58	8	B1215804000	8	21·22
40085787	62	5	40096326	60	23	B1507804C00	32	12
40085788	56	16	40096326	62	21	B150781400P	32	27
40085788	58	21	40096327	56	18	B150781400P	64	38
40085788	60	17	40096327	58	5	B150880400B	32	29
40085788	62	17	40096327	60	20	B150880400B	64	40
40085789	56	15	40096327	62	20	B1509804C00	32	15
40085789	58	12	40099082	24	67	B150981400P	32	30
40085789	60	16	40102307	2	41	B1510814000	32	32
40085789	62	16	40102328	28	2	B1510814000	64	43
40085790	56	14	40106574	58	7	B1511814000	32	26
40085790	58	22	40106574	60	19	B1511814000	64	37
40085790	60	15	40106574	62	19	B1513816000	32	39
40085790	62	15	40106575	58	2	B1514816000	32	45
40085791	56	13	40106575	60	2	B1530804000	32	22
40085791	58	23	40106575	62	2	B1530804000	64	33
40085791	60	14	40106576	56	10	B1539804000	64	28
40085791	62	14	40106576	58	17	B1620804000	16	43
40085792	56	7	40106576	60	11	B2119816A00	26	27~31
40085792	58	16	40106576	62	11	B2119816B00	26	27~31
40085792	60	8	40106577	58	6	B2119816C00	26	27~31
40085792	62	8	40106577	62	24	B2119816D00	26	27~31
40085793	56	5	40106578	58	9	B2119816E00	26	27~31
40085793	58	15	40106578	62	25	B2202816000	36	39
40085793	60	6	40106579	56	11	B2519804000	64	8
40085793	62	6	40106579	58	18	B2519814000	64	9
40085794	56	4	40106579	60	12	B2521804000	64	10
40085794	58	4	40106579	62	12	B3534352000	46	7
40085794	60	3	40106580	56	9	B71140120A0	54	25
40085794	62	3	40106580	58	20	B81517710A0	54	27
40085795	56	3	40106580	60	10	B8152771000	54	39
40085795	58	3	40106580	62	10	B8153771000	54	40
40085795	60	4	40106581	60	9	B9112804000	64	3
40085795	62	4	40106581	62	9	BP30000010R	46	62
40085796	56	20	40106582	56	8	BP30000010R	48	62
40085796	58	13	40106582	58	19	CM300200001	2	40
40085796	60	21	40106590	56	1	CM300200001	6	17
40085796	62	22	40106591	60	1	CM301300001	6	36
40096181	28	4	40106593	58	1	CM600100101	6	44
40096182	28	3	40106604	62	1	CQ200000000	12	44
40096325	56	21	40150131	4	52	CQ200000000	24	57·58
40096325	58	11	70004244	18	10	CQ202000000	14	58
40096325	60	22	70004672	30	48	CQ202000000	24	57·58

NUMERICAL INDEX OF PARTS

PART NO	PAGE	REF NO.	PART NO	PAGE	REF NO.	PART NO	PAGE	REF NO.
CQ252000000	14	60	R4305J6EE00	40	2	SM4050855SP	46	28
CS0400671SD	64	25	R4508J6ED00	40	3	SM4051001SE	58	27
CS1031210SH	24	62	RE0300000K0	18	37	SM4051001SE	62	28
CS1031219SH	24	63	RE0300000K0	28	47	SM4051055SP	40	8
CS1111019SH	42	22	RE0500000K0	18	41	SM4051255SP	6	7
CS111101HSH	42	21	SB110000300	8	21·22	SM4051255SP	18	25
D8113555B00	54	33	SD0280401SL	14	61	SM4051405SE	56	24
D8204555D00	50	22	SD0600341TP	36	42	SM4051405SE	58	25
D8204555D00	52	34	SD0640241SP	28	15	SM4051405SE	60	25
EA9500B0100	12	18	SD0720271SP	20	59	SM4051405SE	62	29
GPF06060000	54	15	SD0720803TH	26	33	SM4051601SC	46	35
GPF06070000	54	16	SK2351600SC	50	24	SM4060801SE	48	64
GPF06080000	54	17	SK2351600SC	52	4	SM6040600SP	18	22
MDC270B1100	14	66	SK3311500SC	50	25	SM6051202TP	16	34
MDC270B1104	68	14	SK3311500SC	52	35	SM6051202TP	26	14
MML018900CA	68	15	SK3412001SE	6	40	SM6061200SP	22	23
NM6040002SC	56	25	SK3412001SE	58	28	SM6061200SP	28	27
NM6040002SC	58	30	SK3412001SE	62	30	SM6061202TP	8	37
NM6040002SC	60	27	SK3513200SC	50	26	SM6061402TP	12	8
NM6040002SC	62	32	SK3513200SC	52	31	SM6061402TP	16	6
NM6050001SE	56	26	SL9061291SE	54	24	SM6061402TP	28	5
NM6050001SE	58	29	SL9082091SE	54	22	SM6061402TP	42	3
NM6050001SE	60	28	SM1040801SC	2	10	SM6061802TP	46	21
NM6050001SE	62	31	SM1040801SC	6	13	SM8040302TP	2	39
NM6060003SC	28	25	SM4030455SP	18	16	SM8040302TP	64	26
NM6080001SE	54	21	SM4040655SP	2	31	SM8040402TP	28	38
NM6080600SM	52	29	SM4040855SP	2	43	SM8050412TP	28	30
NM6080721SE	54	32	SM4040855SP	6	14	SM8050412TP	46	5
NS6090310SN	2	5	SM4040855SP	8	26	SM8050502TP	46	42
NS6090310SP	50	12	SM4040855SP	12	41	SM9061203SE	54	34
NS6090310SP	52	24	SM4040855SP	18	35	SM9061203SE	64	17
NS6110310SP	46	52	SM4040855SP	44	5	SM9082023SE	54	28
NS6110310SP	48	52	SM4041055SP	2	17	SM9082513CF	52	28
NS6110420SP	2	46	SM4041055SP	20	60	SQ0000451MZ	48	63
NS6110420SP	28	26	SM4041201SC	56	22	SQ1110401MZ	46	15
NS6240630SE	50	23	SM4041201SC	58	24	SQ1110451MZ	46	53
NS6240630SE	52	40	SM4041201SC	60	24	SQ1110451MZ	48	53
NS6620320SP	16	40	SM4041201SC	62	26	SQ1150441SD	48	50
NS6680410SP	6	27	SM4041455SN	16	27	SQ1150451MZ	46	37
PS0200052KH	36	28	SM4042501SC	56	23	SQ1150454SD	46	26
PS0200062KH	64	20	SM4042501SC	58	26	SS1060610SP	18	20
PS0250062KH	26	32	SM4042501SC	60	26	SS2090520SL	2	4
PS0300062KH	22	16	SM4042501SC	62	27	SS2110910SL	40	4
PS0300142KH	28	16	SM4050855SP	8	7	SS3090610SP	2	6
R4200J6ED00	40	1	SM4050855SP	36	44	SS4060310SP	66	55

NUMERICAL INDEX OF PARTS

PART NO	PAGE	REF NO.	PART NO	PAGE	REF NO.	PART NO	PAGE	REF NO.
SS4080620TP	18	2	SS6090670TP	12	37	SS7111410TP	8	40
SS4080620TP	26	36	SS6090670TP	32	36	SS7111410TP	28	29
SS4080620TP	32	28	SS6090670TP	64	32	SS7111810TP	8	44
SS4080620TP	64	11	SS6090810SP	46	14	SS7150740SP	28	45
SS4090415SP	36	48	SS6110610TP	40	17	SS7151120SP	40	30
SS4090415SP	38	48	SS6110710TP	26	38	SS7161040SP	28	6
SS4090515SP	18	27	SS6111040SP	42	8	SS8080310TP	14	67
SS4090615SP	24	49	SS6111440SP	4	47	SS8080310TP	30	49
SS4091015SP	2	14	SS6111610SP	42	10	SS8080322TP	64	2
SS4091015SP	44	22	SS6121020SP	28	40	SS8090530TP	14	59
SS4110515SP	12	33	SS6121020SP	46	46	SS8110410TP	2	24
SS4110515SP	38	49	SS6121220TP	16	3	SS8110410TP	16	11
SS4110615SP	36	30	SS6151440SP	40	34	SS8110410TP	18	44
SS4112215SP	46	13	SS6661110SP	18	46	SS8110410TP	36	17
SS4120615SP	2	12	SS7060310SP	18	12	SS8151150TP	8	5
SS4151215SP	6	18	SS7060310SP	48	49	SS8660330SP	18	32
SS5080212TP	8	3	SS7060510SP	32	3	SS8660330SP	42	23
SS5090610SP	50	11	SS7060510SP	40	43	SS8660610TP	14	56
SS5090610SP	52	23	SS7060610SP	24	54	SS8660610TP	24	64
SS5110710SP	6	31	SS7060610SP	32	24	SS9090410TP	22	43
SS5110710SP	50	17	SS7060610SP	64	35	SS9090610TP	22	42
SS5110710SP	52	38	SS7080520SP	32	13	SS9090823TP	42	19
SS5120810SP	66	60	SS7080520SP	64	39	SS9111010SP	18	3
SS5150510SP	36	41	SS7090510SP	40	42	SS9111010SP	40	21
SS6060210SP	32	25	SS7090530SP	2	20	SS9111050SP	20	51
SS6060210SP	64	36	SS7090610SP	2	22	SS9111610SP	64	47·50
SS6060340SP	32	44	SS7090610SP	40	44	SS9112310SP	66	47·50
SS6060410TP	64	29	SS7090610SP	44	19	SS9151210TP	22	22
SS6060440TP	22	18	SS7090611SL	6	34	SS9151210TP	26	8
SS6060440TP	32	31	SS7090710SP	40	25	SS9154540SP	66	61
SS6060440TP	64	42	SS7090850SP	22	26	SS9681610TP	8	12
SS6080320SP	16	15	SS7091410SP	2	33	ST60308210A	52	13
SS6080340SP	20	55	SS7110510SP	2	27	TA0400301M0	46	41
SS6080340SP	28	17	SS7110510SP	28	14	TA0800504R0	20	53
SS6080410SP	22	28	SS7110710SL	36	29	TA0950806R0	44	4
SS6080410SP	64	12	SS7110710SP	2	29	TA1030402R0	16	7
SS6080720SP	12	23	SS7110720SP	40	13	TA1871602R0	6	41
SS6081210TP	8	42	SS7110720TP	26	39	TA2050416R0	16	8
SS6090420SP	52	11	SS7110840SP	8	46	TA2050805R0	6	42
SS6090620TP	18	8	SS7110840SP	22	51	WP0250516SD	32	23
SS6090620TP	24	65	SS7110840SP	24	51	WP0250516SD	64	34
SS6090620TP	26	37	SS7110840SP	28	28	WP0370316SD	42	20
SS6090630TP	22	12	SS7110840SP	40	36	WP0370316SD	52	14
SS6090630TP	50	27	SS7110840SP	44	24	WP0371016SD	18	28
SS6090630TP	52	37	SS7110910TP	16	17	WP0371026SD	44	23

## NUMERICAL INDEX OF PARTS

PART NO	PAGE	REF NO.
WP0460556SD	20	61
WP0460556SD	28	46
WP0480856SP	20	62
WP0531001SC	56	28
WP0531001SC	58	31
WP0531001SC	60	30
WP0531001SC	62	33
WP0621016SD	20	63
WP0651056SD	46	22
WP0671016SE	54	36
WP0751576SD	6	25
WP0764016SP	8	13
WP0850002SC	52	30
WP0871602SE	54	30
WP1002036SE	50	28
WP1002036SE	52	39
WP1612616SE	56	27
WP1612616SE	58	32
WP1612616SE	60	29
WP1612616SE	62	34
WS0510002KN	56	29
WS0510002KN	58	33
WS0510002KN	60	31
WS0510002KN	62	35
WS0621210KR	54	35
WS0822010KP	6	26
WS0861410KR	54	29
WS1002560KR	50	29
WS1002560KR	52	36
WZ0420350KP	2	37
WZ0420350KP	64	24
WZ0640312K0	36	43
WZ0850302K0	6	30
WZ2640310KH	8	15