

MODEL : MO-6700S Subclasses

List No : 1324-03

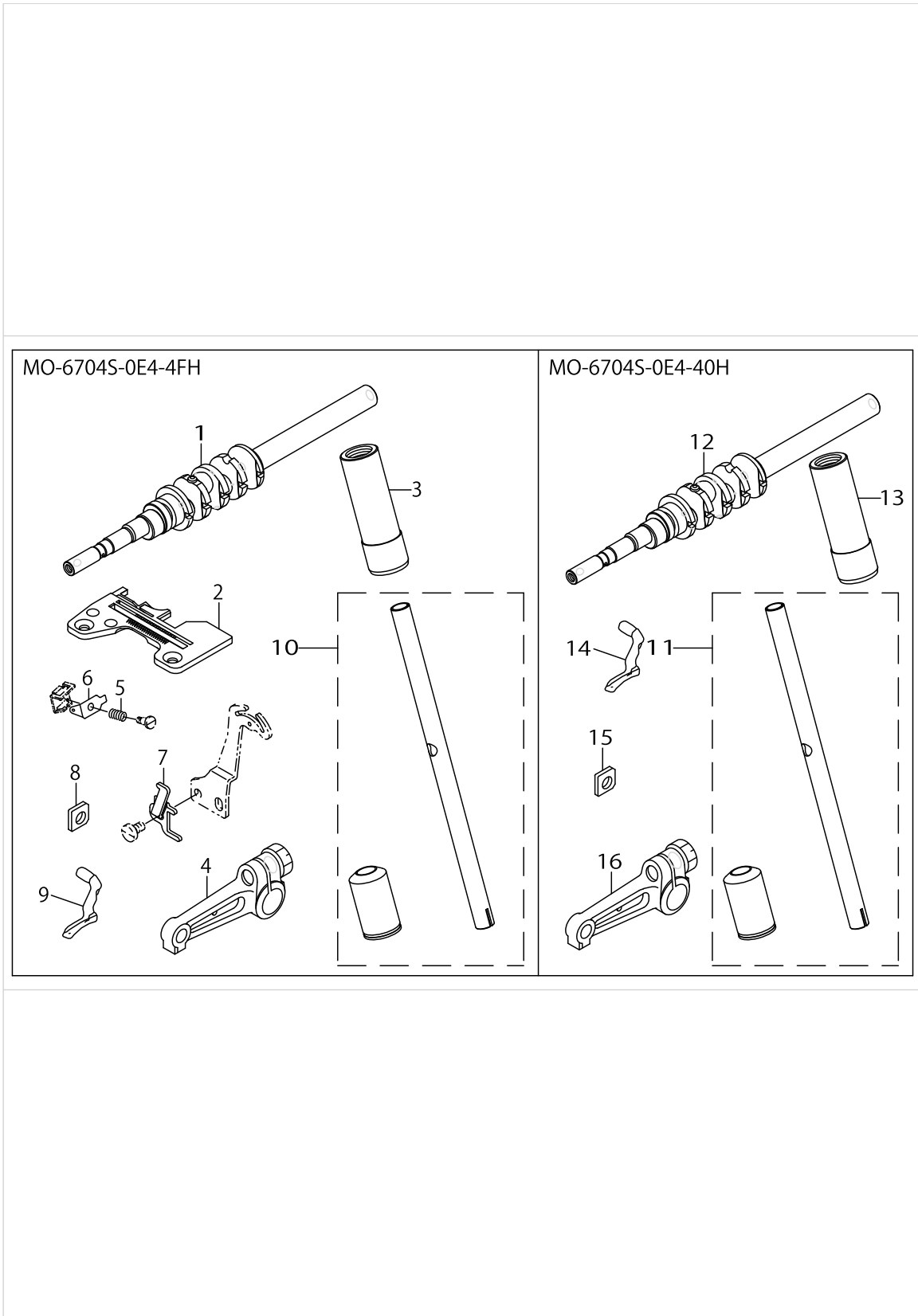
PARTS LIST

Published:09/10/2017

CONTENTS

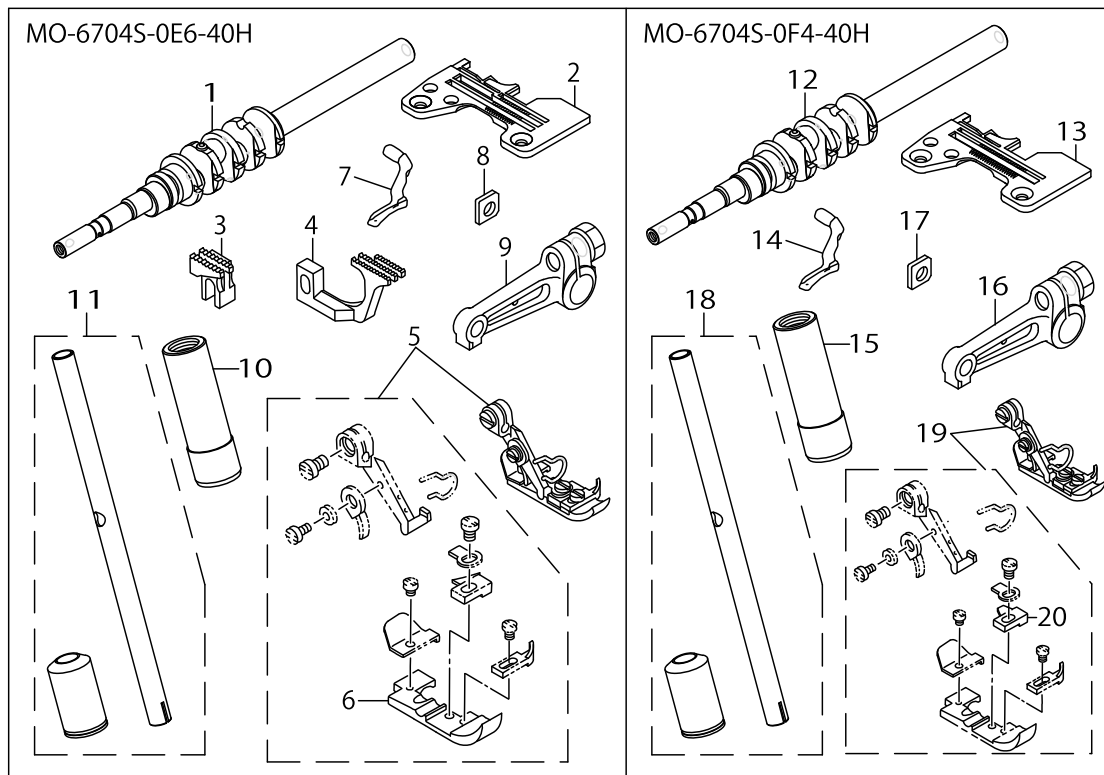
MO-6700S SUBCLASSES (1).....	1
MO-6700S SUBCLASSES (2).....	3
MO-6700S SUBCLASSES (3).....	5
MO-6700S SUBCLASSES (4).....	7
MO-6700S SUBCLASSES (5).....	9
MO-6700S SUBCLASSES (6).....	11
MO-6700S SUBCLASSES (7).....	13
MO-6700S SUBCLASSES (8).....	15
MO-6700S SUBCLASSES (9).....	17
MO-6700S SUBCLASSES (10).....	19
MO-6700S SUBCLASSES (11).....	21
MO-6700S SUBCLASSES (12).....	23
MO-6700S SUBCLASSES (13).....	25
MO-6700S SUBCLASSES (14).....	27
MO-6700S SUBCLASSES (15).....	29
MO-6700S SUBCLASSES (16).....	31
MO-6700S SUBCLASSES (17).....	33
MO-6700S SUBCLASSES (18).....	37
MO-6700S SUBCLASSES (19).....	39
MO-6700S SUBCLASSES (20).....	41
MO-6700S SUBCLASSES (21).....	43
MO-6700S SUBCLASSES (22).....	47
MO-6700S SUBCLASSES (23).....	51
HOW TO MAKE USE OF THIS PARTS LIST	55

MO-6700S SUBCLASSES (1)



MO-6700S SUBCLASSES (1)

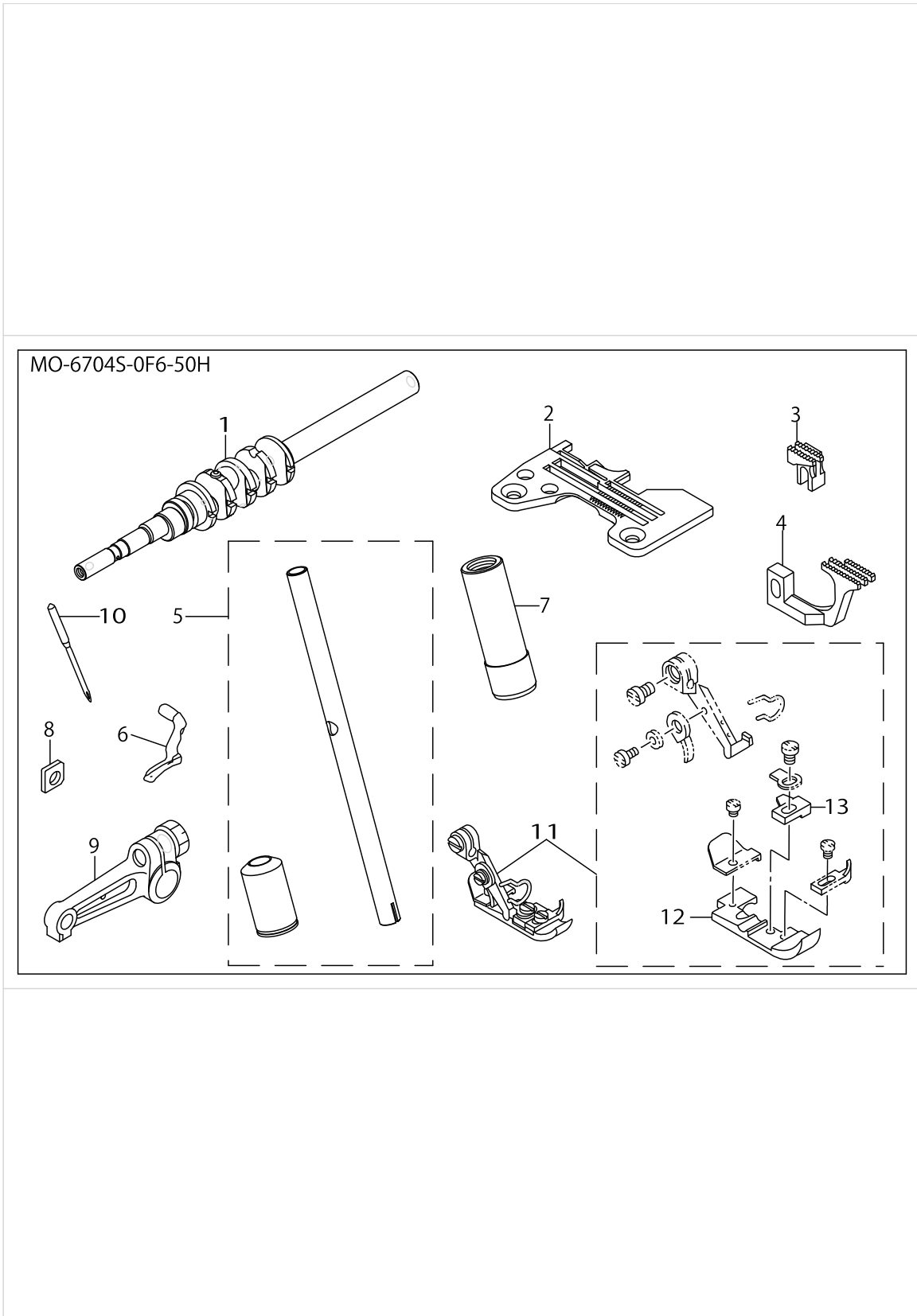
No.	Parts No.	Parts name	Remarks	Level	Cons	Qty
1	40023276	MAIN SHAFT ASM.				1
2	R4200J6ED0A	THROAT PLATE				1
3	13207600	NEEDLE HOLDER BUSHING				1
4	13131156	UPPER LOOPER ARM B ASM.				1
5	12112702	NEEDLE THREAD PRESSER SPRING B				1
6	12112504	NEEDLE THREAD PRESSER PLATE C				1
7	12112603	DIFFERENTIAL FEED CAM				1
8	13132006	GAUGE				1
9	11991908	UPPER LOOPER				1
10	13210059	NEEDLE HOLDER (B) ASM.				1
11	13210059	NEEDLE HOLDER (B) ASM.				1
12	13205158	CRANKSHAFT ASM.				1
13	13207600	NEEDLE HOLDER BUSHING,UPPER				1
14	11991908	UPPER LOOPER				1
15	13132006	GAUGE				1
16	13131156	UPPER LOOPER ARM B ASM.				1



MO-6700S SUBCLASSES (2)

No.	Parts No.	Parts name	Remarks	Level	Cons	Qty
1	40023276	MAIN SHAFT ASM.				1
2	R4300J6EE00	THROAT PLATE				1
3	11882206	MAIN FEED DOG				1
4	11885100	DIFFERENTIAL FEED DOG				1
5	11876364	PRESSER FOOT ASM.				1
6	11873007	PRESSER FOOT		*		1
7	11991908	UPPER LOOPER				1
8	13132006	GAUGE				1
9	13131156	UPPER LOOPER ARM B ASM.				1
10	13207600	NEEDLE HOLDER BUSHING,UPPER				1
11	13210059	NEEDLE HOLDER (B) ASM.				1
12	40023276	MAIN SHAFT ASM.				1
13	R4200J6FD00	THROAT PLATE				1
14	11991908	UPPER LOOPER				1
15	13207600	NEEDLE HOLDER BUSHING,UPPER				1
16	13131156	UPPER LOOPER ARM B ASM.				1
17	13132006	GAUGE				1
18	13210059	NEEDLE HOLDER (B) ASM.				1
19	11876265	PRESSER FOOT ASM.				1
20	B1509804C0A	STITCH TONGUE		*		1

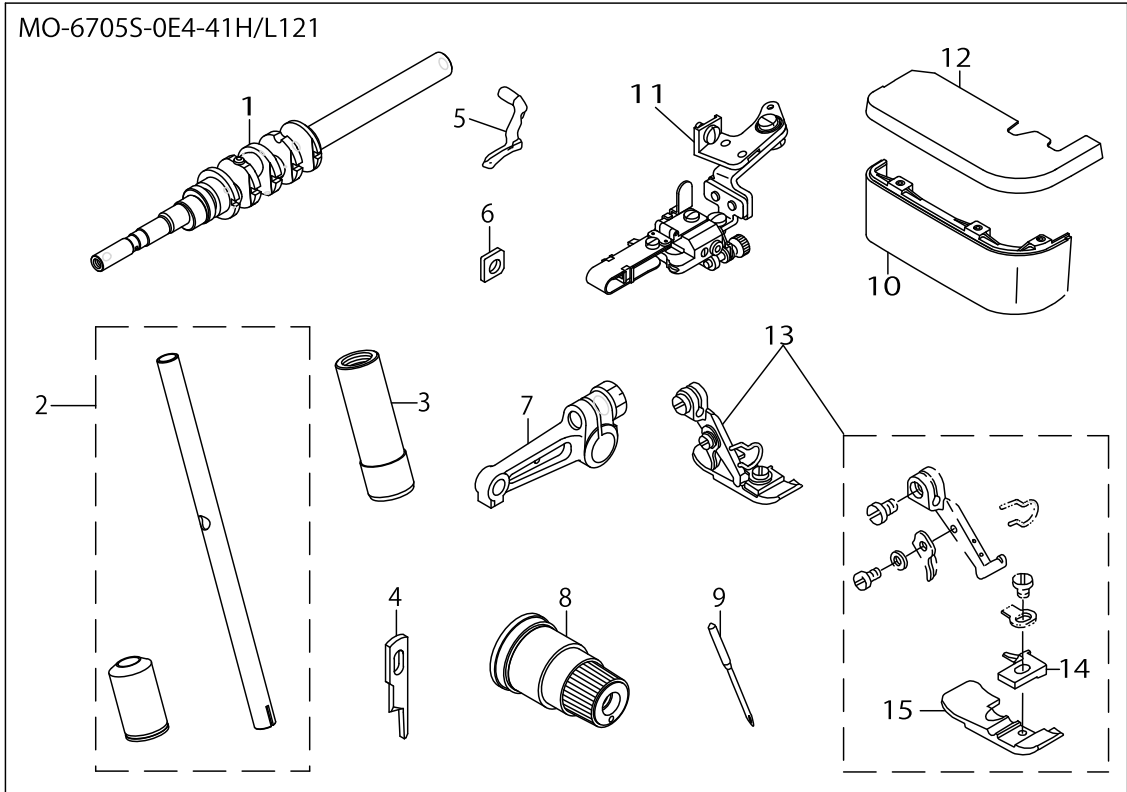
MO-6700S SUBCLASSES (3)



MO-6700S SUBCLASSES (3)

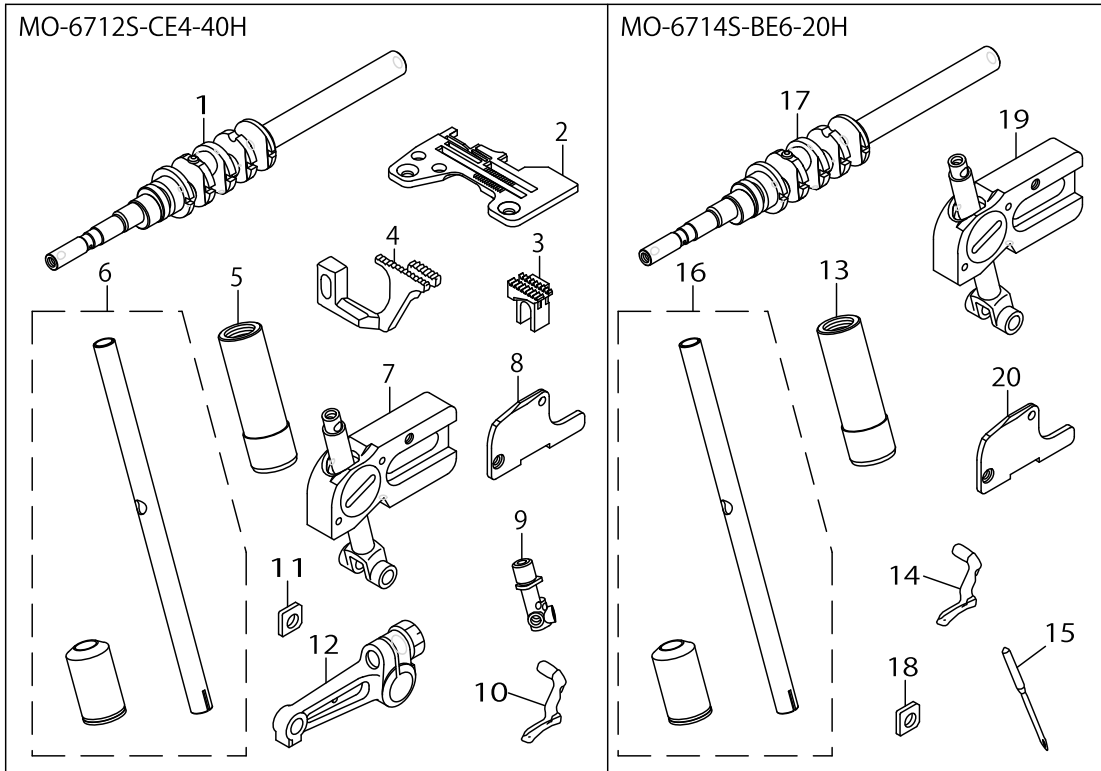
No.	Parts No.	Parts name	Remarks	Level	Cons	Qty
1	40023276	MAIN SHAFT ASM.				1
2	R4300J6FE0B	THROAT PLATE				1
3	11883303	MAIN FEED DOG				1
4	11885605	DIFFERENTIAL FEED DOG				1
5	13210059	NEEDLE HOLDER (B) ASM.				1
6	11991908	UPPER LOOPER				1
7	13207600	NEEDLE HOLDER BUSHING,UPPER				1
8	13132006	GAUGE				1
9	13131156	UPPER LOOPER ARM B ASM.				1
10	MDC270B1400	NEEDLE DCX27 #14				1
11	11876463	PRESSER FOOT ASM.				1
12	11873007	PRESSER FOOT		*		1
13	B1509804C0A	STITCH TONGUE		*		1

MO-6700S SUBCLASSES (4)



MO-6700S SUBCLASSES (4)

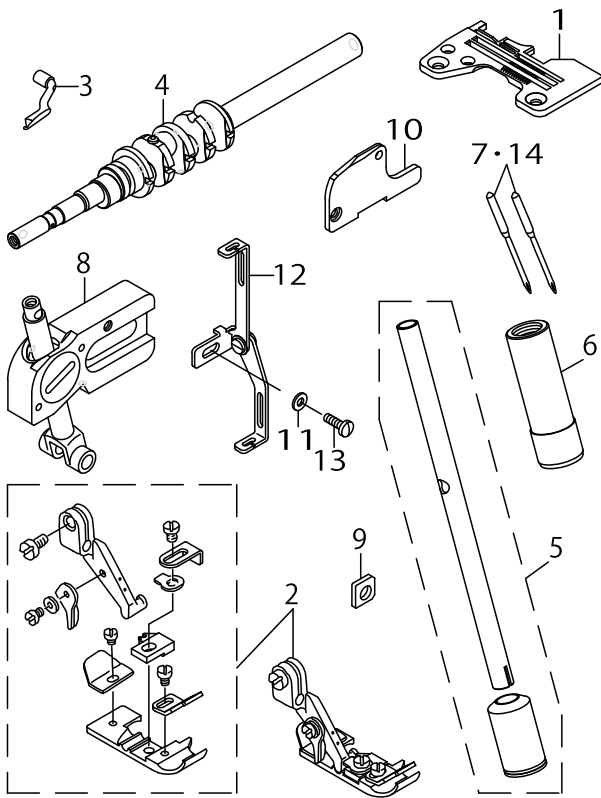
No.	Parts No.	Parts name	Remarks	Level	Cons	Qty
1	40023276	MAIN SHAFT ASM.				1
2	13210059	NEEDLE HOLDER (B) ASM				1
3	13207600	NEEDLE HOLDER BUSHING,UPPER				1
4	13150602	KNIFE				1
5	11991908	UPPER LOOPER				1
6	13132006	GAUGE				1
7	13131156	UPPER LOOPER ARM B ASM.				1
8	13138359	THREAD TENSION SPRING JUNCTION				1
9	MDC270B0900	NEEDLE DCX27 #9				1
10	12104709	CLOTH PLATE COVER				1
11	MAL121000A0	SKIRT DRAGGING COMPL.				1
12	12105557	CLOTH PLATE ASM.				1
13	11992161	PRESSER FOOT ASM.				1
14	11874807	STITCH TONGUE		*		1
15	11992104	PRESSER FOOT		*		1



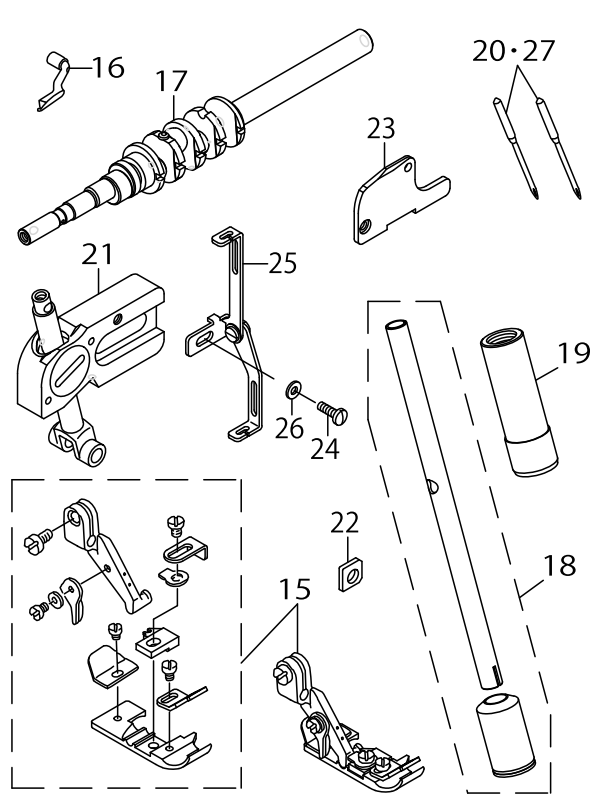
MO-6700S SUBCLASSES (5)

No.	Parts No.	Parts name	Remarks	Level	Cons	Qty
1	40023276	MAIN SHAFT ASM.				1
2	R4206J6EE00	THROAT PLATE				1
3	11597101	MAIN FEED DOG				1
4	B1657814B0E	DIFFERENTIAL FEED DOG				1
5	13207600	NEEDLE HOLDER BUSHING,UPPER				1
6	13210059	NEEDLE HOLDER (B) ASM.				1
7	40015637	GUIDE SUPPORT ASM.				1
8	13222203	UPPER LOOPER GUIDE COVER				1
9	12275509	2-NEEDLE NEEDLE CLAMP (CE4)				1
10	12176103	UPPER LOOPER				1
11	13132006	GAUGE				1
12	13131057	UPPER LOOPER ARM A ASM.				1
13	13207600	NEEDLE HOLDER BUSHING,UPPER				1
14	12176103	UPPER LOOPER				1
15	MDC270B0900	NEEDLE DCX27 #9				2
16	13210059	NEEDLE HOLDER (B) ASM.				1
17	40023276	MAIN SHAFT ASM.				1
18	13132006	GAUGE				1
19	40015637	GUIDE SUPPORT ASM.				1
20	13222203	UPPER LOOPER GUIDE COVER				1

MO-6714S-BD6-24H/G39/Q141

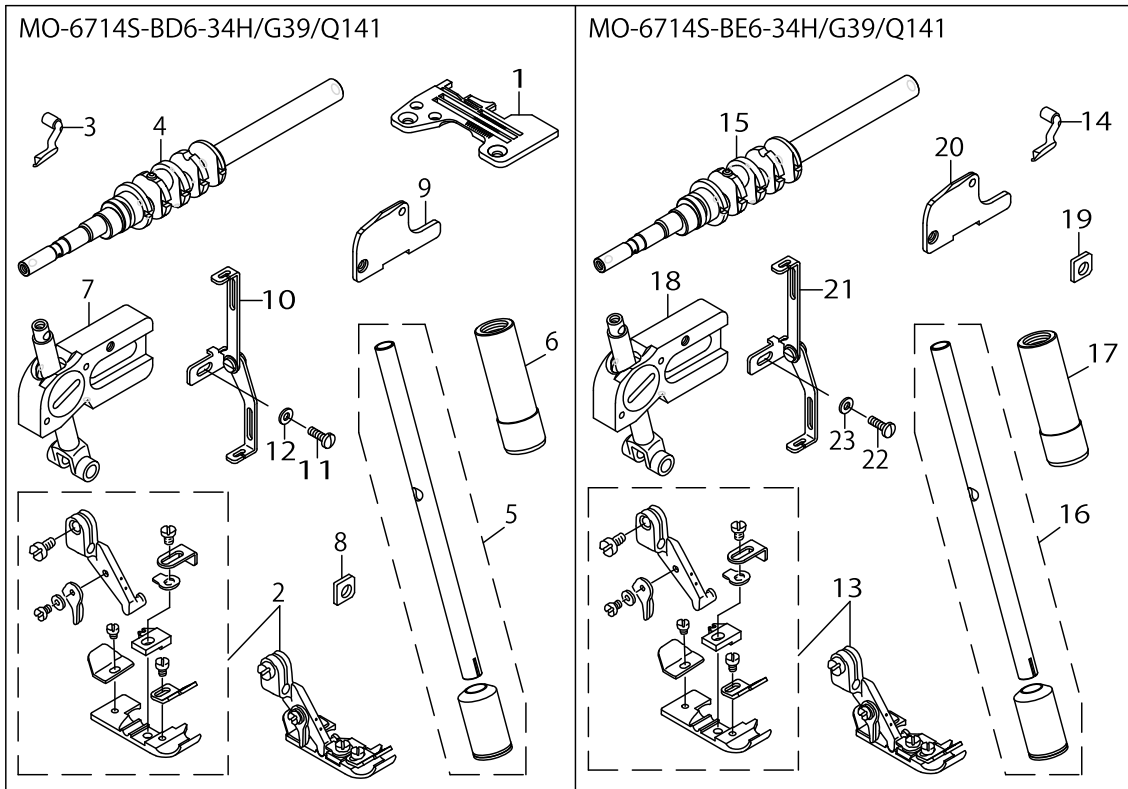


MO-6714S-BE6-24H/G39/Q141



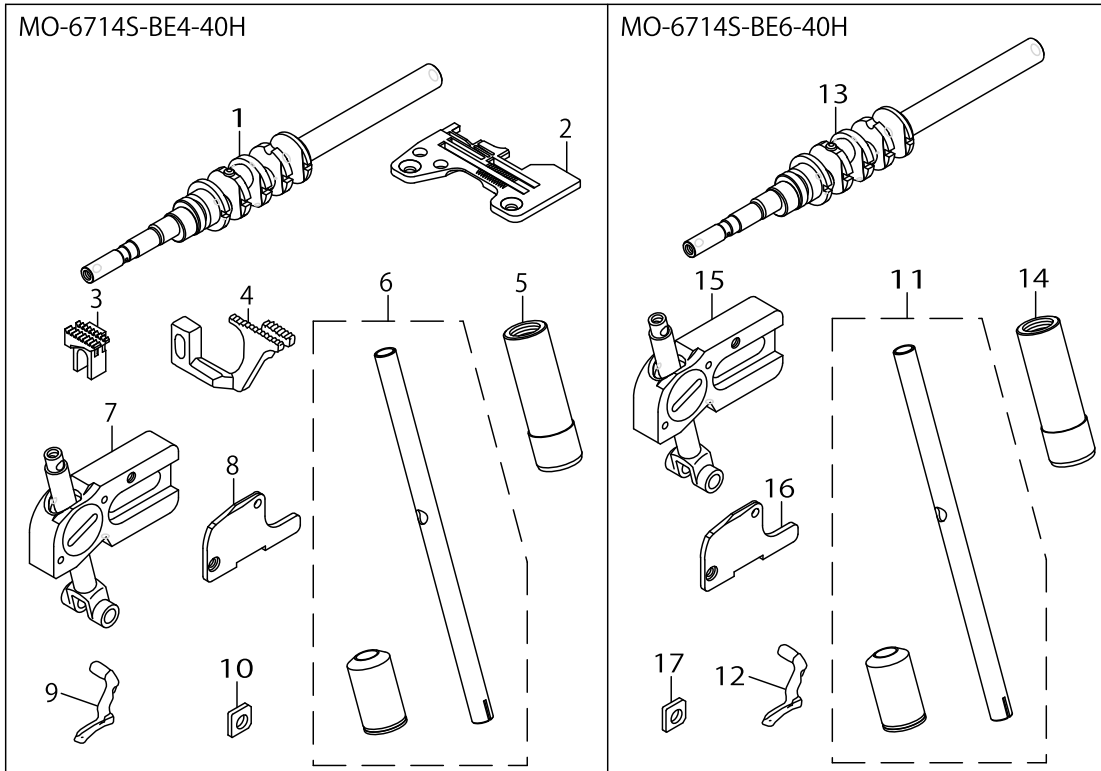
MO-6700S SUBCLASSES (6)

No.	Parts No.	Parts name	Remarks	Level	Cons	Qty
1	R4305J6DE00	THROAT PLATE				1
2	12152955	PRESSER FOOT ASM.				1
3	12176103	UPPER LOOPER				1
4	40023276	MAIN SHAFT ASM.				1
5	13210059	NEEDLE HOLDER(B) ASM.				1
6	13207600	NEEDLE HOLDER BUSHING,UPPER				1
7	MDC270B0900	NEEDLE DCX27 #9				2
8	40015637	GUIDE SUPPORT ASM.				1
9	13132006	GAUGE				1
10	13222203	UPPER LOOPER GUIDE COVER				1
11	WP0371016SD	WASHER 3.7X8X1				1
12	MAQ141000A0	TAPE GUIDE ASM.				1
13	SS7091110TP	SCREW 9/64-40 L=10.5				1
14	MDC270B0904	NEEDLE DCX27 #9-4EA.				1
15	12152955	PRESSER FOOT ASM.				1
16	12176103	UPPER LOOPER				1
17	40023276	MAIN SHAFT ASM.				1
18	13210059	NEEDLE HOLDER(B) ASM.				1
19	13207600	NEEDLE HOLDER BUSHING,UPPER				1
20	MDC270B0900	NEEDLE DCX27 #9				2
21	40015637	GUIDE SUPPORT ASM.				1
22	13132006	GAUGE				1
23	13222203	UPPER LOOPER GUIDE COVER				1
24	SS7091110TP	SCREW 9/64-40 L=10.5				1
25	MAQ141000A0	TAPE GUIDE ASM.				1
26	WP0371016SD	WASHER 3.7X8X1				1
27	MDC270B0904	NEEDLE DCX27 #9-4EA.				1



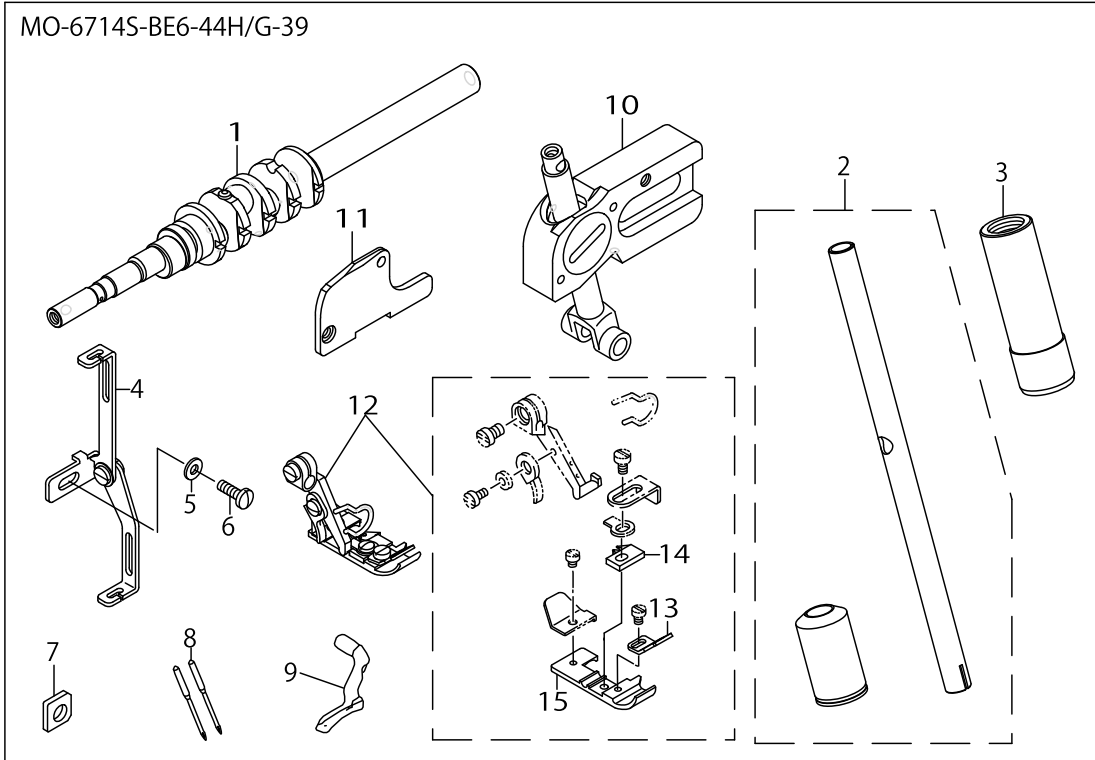
MO-6700S SUBCLASSES (7)

No.	Parts No.	Parts name	Remarks	Level	Cons	Qty
1	R4305J6DE00	THROAT PLATE				1
2	12152955	PRESSER FOOT ASM.				1
3	12176103	UPPER LOOPER				1
4	40023276	MAIN SHAFT ASM.				1
5	13210059	NEEDLE HOLDER(B) ASM.				1
6	13207600	NEEDLE HOLDER BUSHING,UPPER				1
7	40015637	GUIDE SUPPORT ASM.				1
8	13132006	GAUGE				1
9	13222203	UPPER LOOPER GUIDE COVER				1
10	MAQ141000A0	TAPE GUIDE ASM.				1
11	SS7091110TP	SCREW 9/64-40 L=10.5				1
12	WP0371016SD	WASHER 3.7X8X1				1
13	12152955	PRESSER FOOT ASM.				1
14	12176103	UPPER LOOPER				1
15	40023276	MAIN SHAFT ASM.				1
16	13210059	NEEDLE HOLDER(B) ASM.				1
17	13207600	NEEDLE HOLDER BUSHING,UPPER				1
18	40015637	GUIDE SUPPORT ASM.				1
19	13132006	GAUGE				1
20	13222203	UPPER LOOPER GUIDE COVER				1
21	MAQ141000A0	TAPE GUIDE ASM.				1
22	SS7091110TP	SCREW 9/64-40 L=10.5				1
23	WP0371016SD	WASHER 3.7X8X1				1



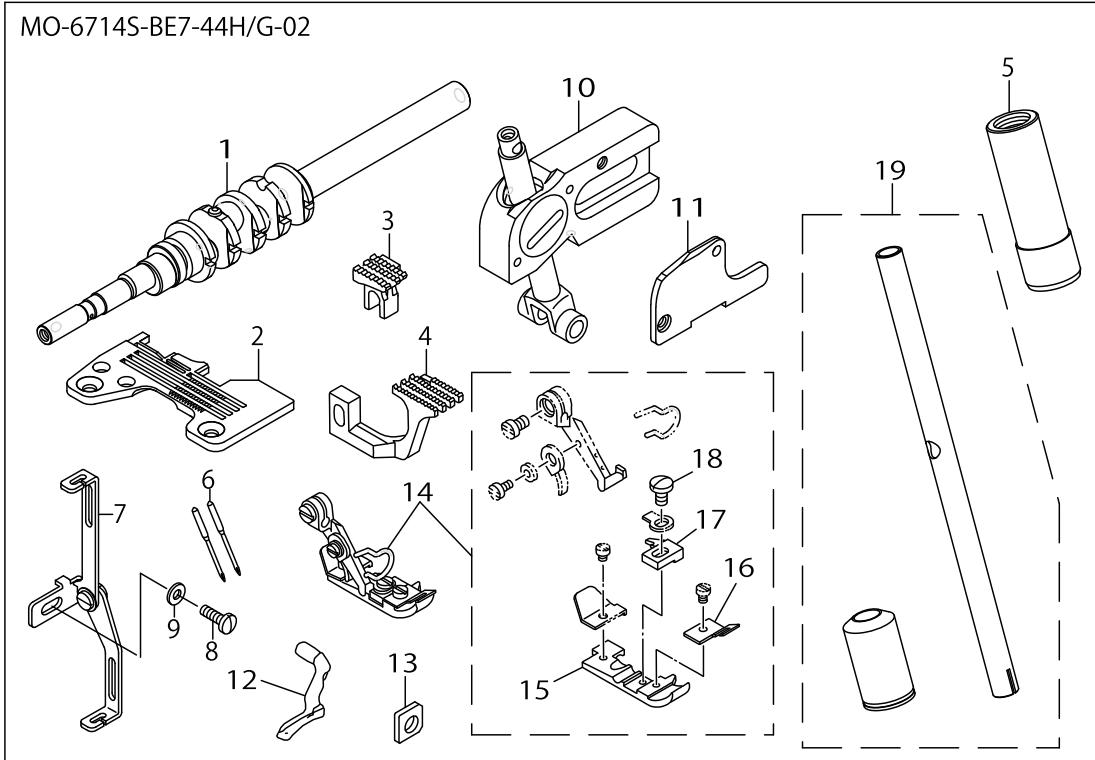
MO-6700S SUBCLASSES (8)

No.	Parts No.	Parts name	Remarks	Level	Cons	Qty
1	40023276	MAIN SHAFT ASM.				1
2	R4205J6EE00	THROAT PLATE				1
3	11597101	MAIN FEED DOG				1
4	B1657814B0E	DIFFERENTIAL FEED DOG				1
5	13207600	NEEDLE HOLDER BUSHING,UPPER				1
6	13210059	NEEDLE HOLDER (B) ASM.				1
7	40015637	GUIDE SUPPORT ASM.				1
8	13222203	UPPER LOOPER GUIDE COVER				1
9	12176103	UPPER LOOPER				1
10	13132006	GAUGE				1
11	13210059	NEEDLE HOLDER (B) ASM.				1
12	12176103	UPPER LOOPER				1
13	40023276	MAIN SHAFT ASM.				1
14	13207600	NEEDLE HOLDER BUSHING,UPPER				1
15	40015637	GUIDE SUPPORT ASM.				1
16	13222203	UPPER LOOPER GUIDE COVER				1
17	13132006	GAUGE				1



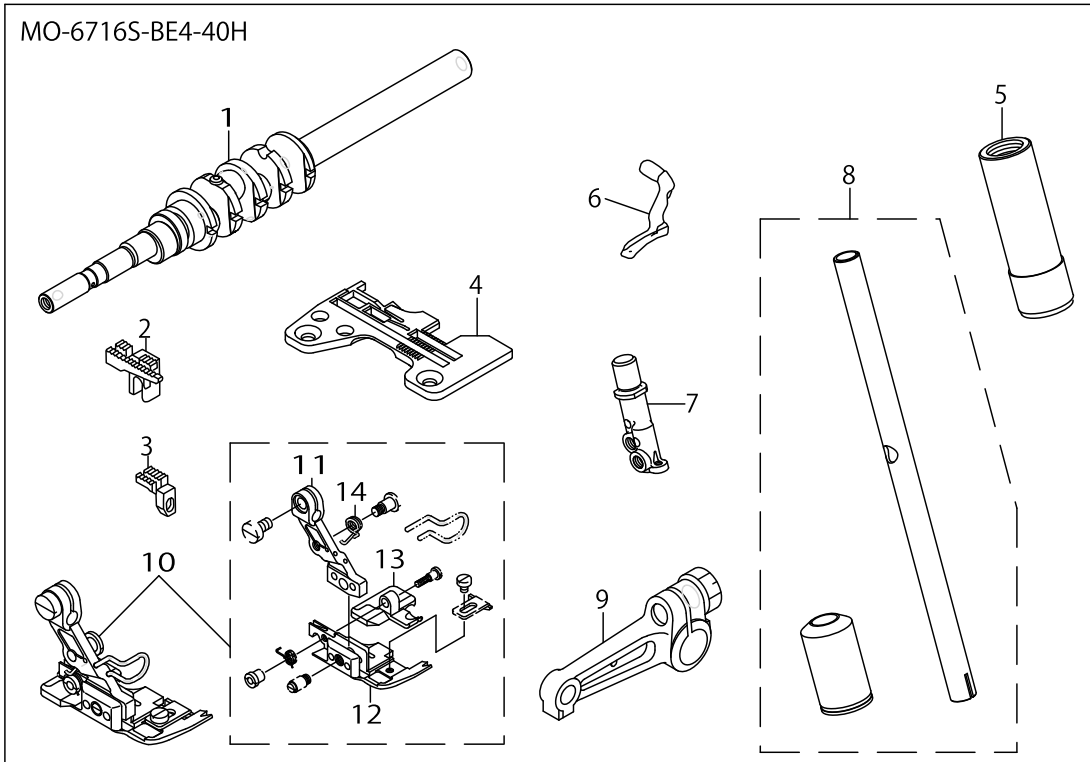
MO-6700S SUBCLASSES (9)

No.	Parts No.	Parts name	Remarks	Level	Cons	Qty
1	40023276	MAIN SHAFT ASM.				1
2	13210059	NEEDLE HOLDER (B) ASM.				1
3	13207600	NEEDLE HOLDER BUSHING,UPPER				1
4	MAQ141000A0	TAPE GUIDE ASM.				1
5	WP0371016SD	WASHER 3.7X8X1				1
6	SS7091110TP	SCREW 9/64-40 L=10.5				1
7	13132006	GAUGE				1
8	MDC270B1400	NEEDLE DCX27 #14				2
9	12176103	UPPER LOOPER				1
10	40015637	GUIDE SUPPORT ASM.				1
11	13222203	UPPER LOOPER GUIDE COVER				1
12	12152963	PRESSER FOOT ASM.				1
13	12160909	TAPE GUIDE		*		1
14	12160305	STITCH TONGUE		*		1
15	12158002	PRESSER FOOT		*		1



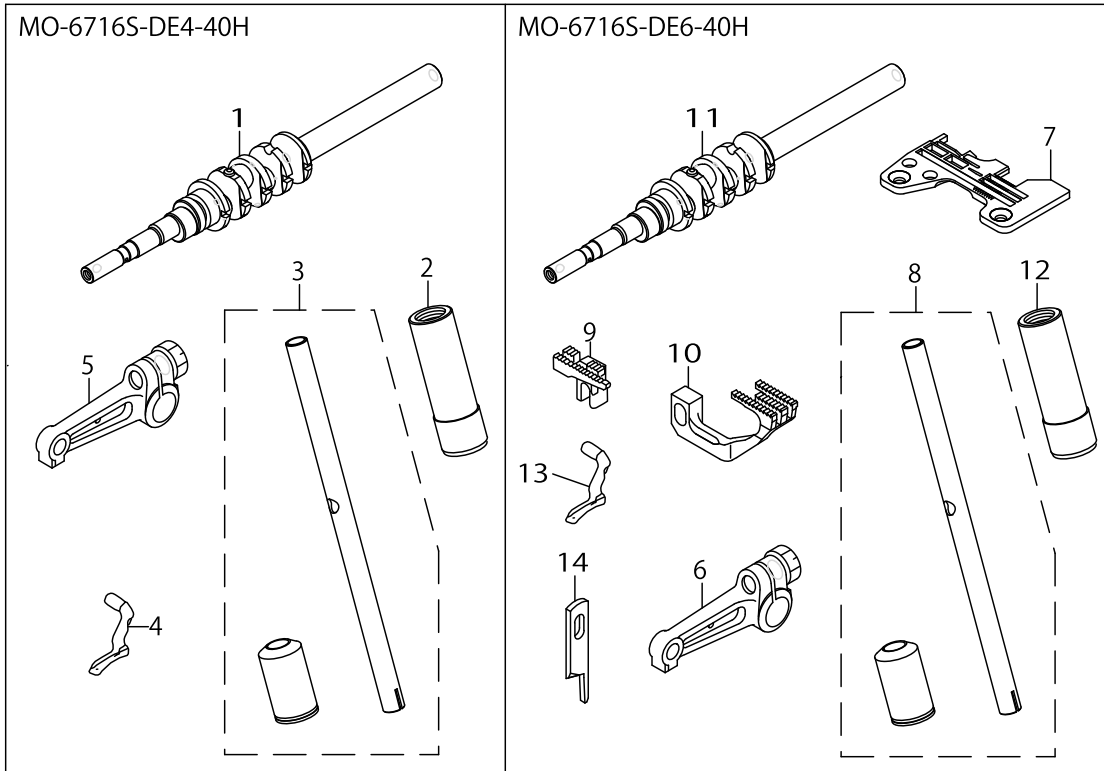
MO-6700S SUBCLASSES (10)

No.	Parts No.	Parts name	Remarks	Level	Cons	Qty
1	40023276	MAIN SHAFT ASM.				1
2	R4405J6EE00	THROAT PLATE				1
3	11883501	MAIN FEED DOG				1
4	B1657814B0F	DIFFERENTIAL FEED DOG				1
5	13207600	NEEDLE HOLDER BUSHING,UPPEER				1
6	MDC270B1400	NEEDLE DCX27 #14				2
7	MAQ141000A0	TAPE GUIDE ASM.				1
8	MDC270B1400	NEEDLE DCX27 #14				1
9	WP0371016SD	WASHER 3.7X8X1				1
10	40015637	GUIDE SUPPORT ASM.				1
11	13222203	UPPER LOOPER GUIDE COVER				1
12	12176103	UPPER LOOPER				1
13	13132006	GAUGE				1
14	11879269	PRESSER FOOT ASM.				1
15	B1507814B0B	PRESSER FOOT		*		1
16	B1531814000	TAPE GUIDE PLATE		*		1
17	B1509814B0B	STITCH TONGUE		*		1
18	SS7080520SP	SCREW 1/8-44 L=4.9		*		1
19	13210059	NEEDLE HOLDER (B) ASM.				1



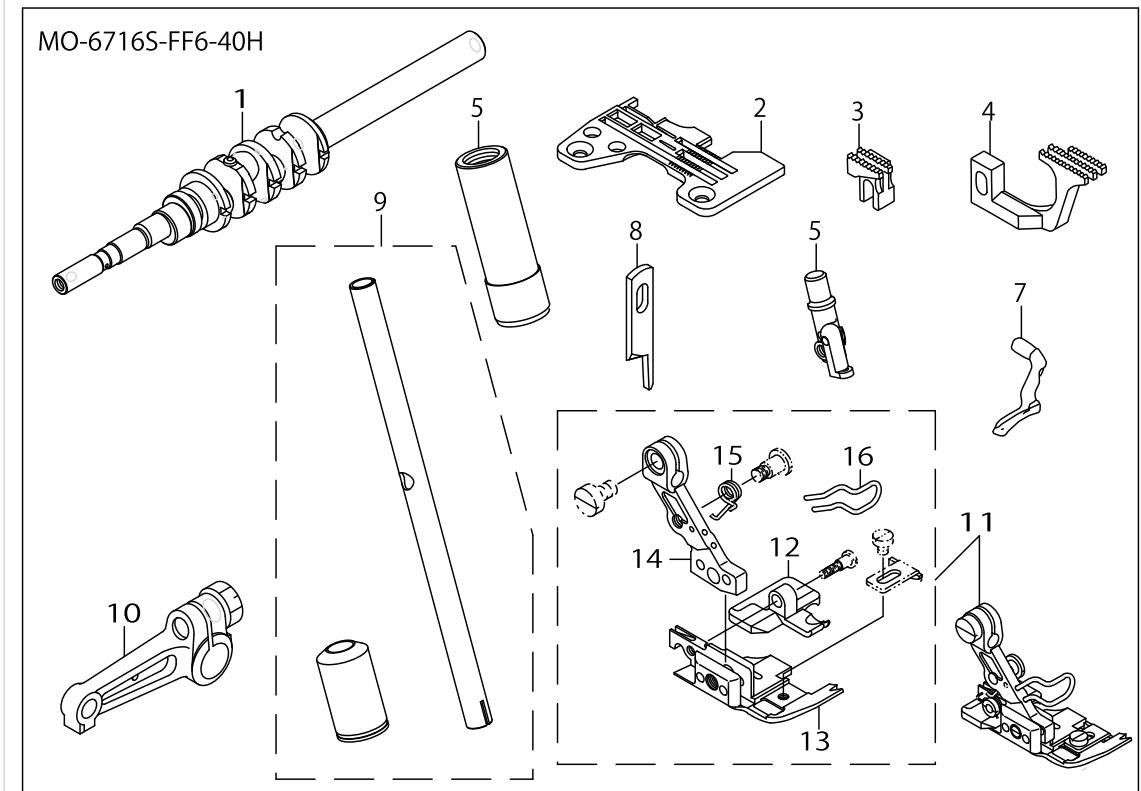
MO-6700S SUBCLASSES (11)

No.	Parts No.	Parts name	Remarks	Level	Cons	Qty
1	40023276	MAIN SHAFT ASM.				1
2	11882602	MAIN FEED DOG				1
3	11887304	AUXILIARY FEED DOG				1
4	R4505J6ED00	THROAT PLATE				1
5	13207600	NEEDLE HOLDER BUSHING,UPPER				1
6	11991908	UPPER LOOPER				1
7	12275608	NEEDLE CLAMP, CHAIN LOOPER				1
8	13210059	NEEDLE HOLDER (B) ASM.				1
9	13131156	UPPER LOOPER ARM B ASM.				1
10	12153961	PRESSER FOOT ASM.				1
11	12157202	PRESSER FOOT HINGE		*		1
12	12162400	PRESSER FOOT		*		1
13	12165007	REAR PRESSER FOOT		*		1
14	12168308	PRESSER FOOT ARM SPRING, (C)		*		1



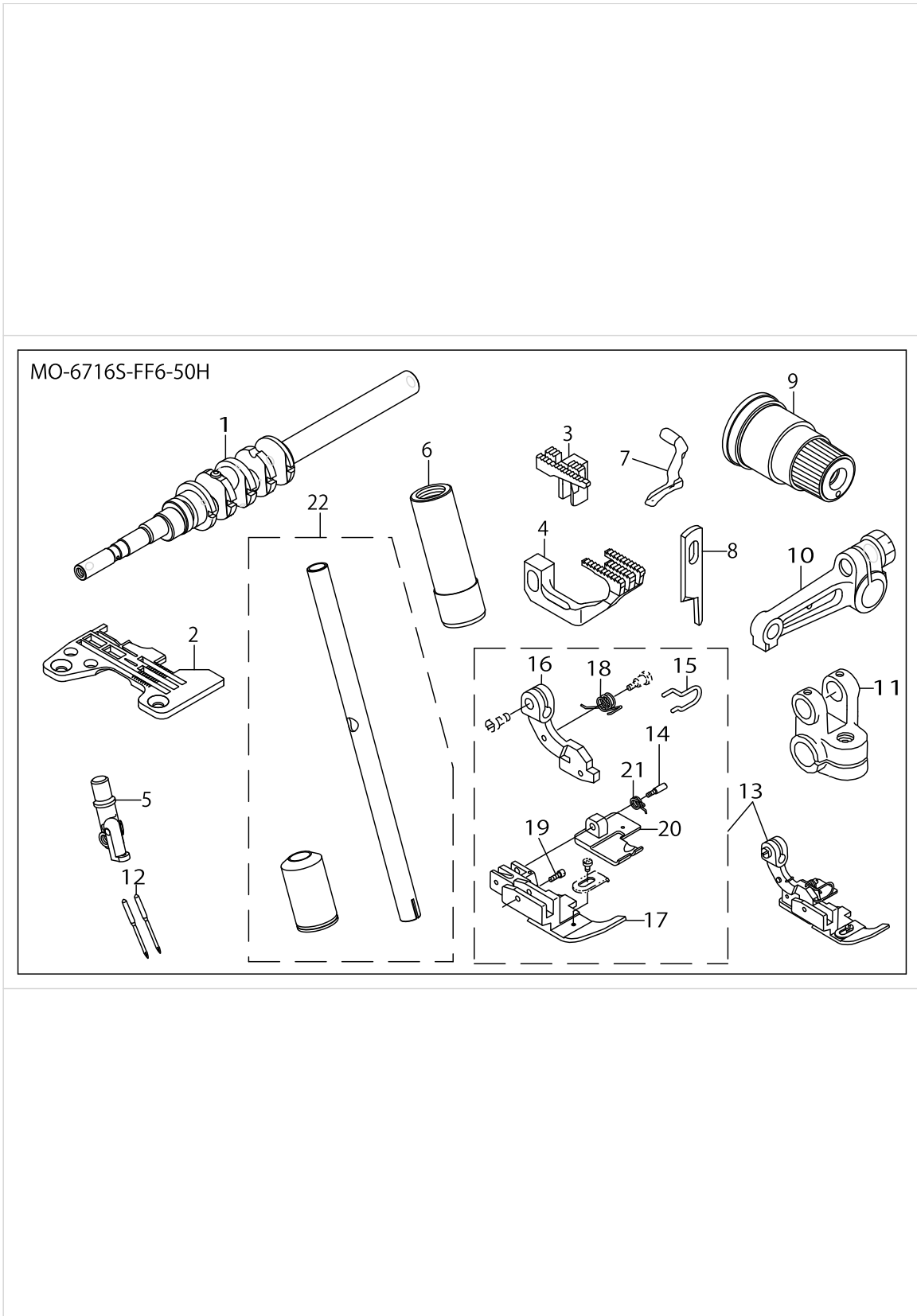
MO-6700S SUBCLASSES (12)

No.	Parts No.	Parts name	Remarks	Level	Cons	Qty
1	40023276	MAIN SHAFT ASM.				1
2	13207600	NEEDLE HOLDER BUSHING,UPPER				1
3	13210059	NEEDLE HOLDER (B) ASM.				1
4	11991908	UPPER LOOPER				1
5	13131156	UPPER LOOPER ARM B ASM.				1
6	13131156	UPPER LOOPER ARM B ASM.				1
7	R4608J6ED00	THROAT PLATE				1
8	13210059	NEEDLE HOLDER (B) ASM				1
9	11882909	MAIN FEED DOG				1
10	12173209	DIFFERENTIAL FEED DOG				1
11	40023276	MAIN SHAFT ASM.				1
12	13207600	NEEDLE HOLDER BUSHING,UPPER				1
13	11991908	UPPER LOOPER				1
14	13150503	KNIFE				1



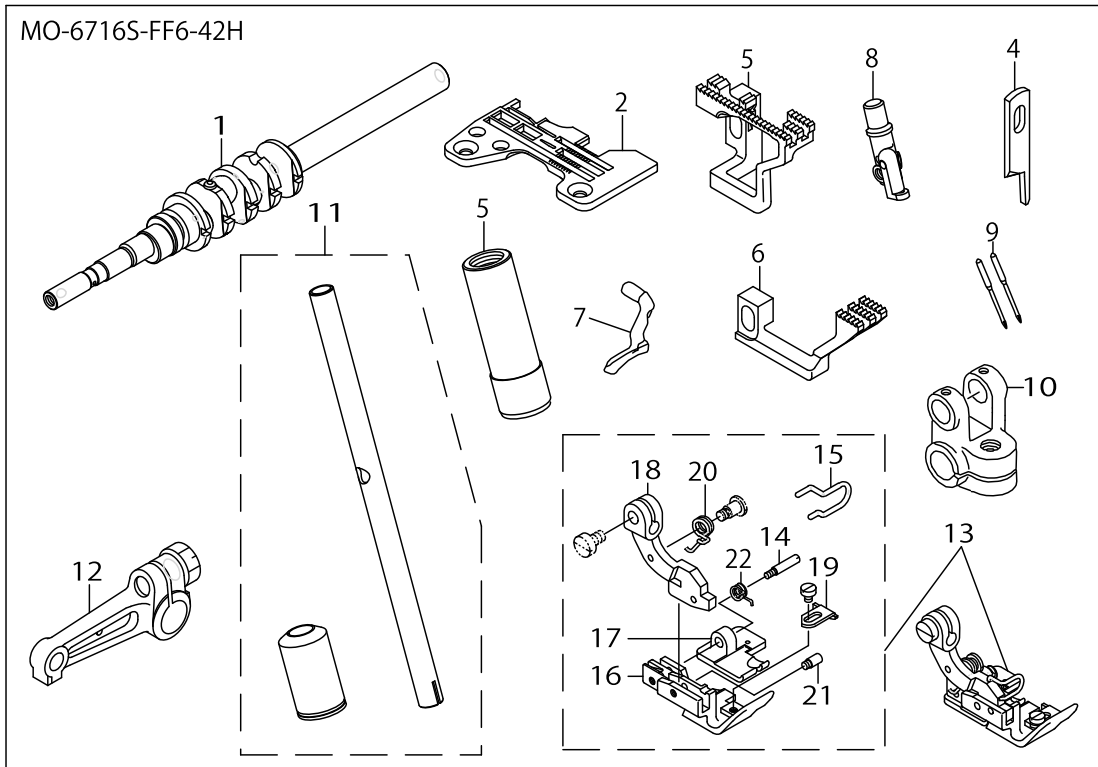
MO-6700S SUBCLASSES (13)

No.	Parts No.	Parts name	Remarks	Level	Cons	Qty
1	40023276	MAIN SHAFT ASM.				1
2	R4612J6FD00	THROAT PLATE				1
3	11884004	MAIN FEED DOG				1
4	12173308	DIFFERENTIAL FEED DOG				1
5	12257507	NEEDLE CLAMP, CHAIN LOOPER				1
6	13207600	NEEDLE HOLDER BUSHING UPPER				1
7	11991908	UPPER LOOPER				1
8	13150503	KNIFE				1
9	13210059	NEEDLE HOLDER (B) ASM.				1
10	13131156	UPPER LOOPER ARM B ASM.				1
11	12154266	PRESSER FOOT ASM.				1
12	12165304	REAR PRESSER FOOT		*		1
13	12162707	PRESSER FOOT		*		1
14	12157004	PRESSER FOOT HINGE		*		1
15	12168001	PRESSER FOOT ARM SPRING, (B)		*		1
16	12168209	FINGER GUARD		*		1



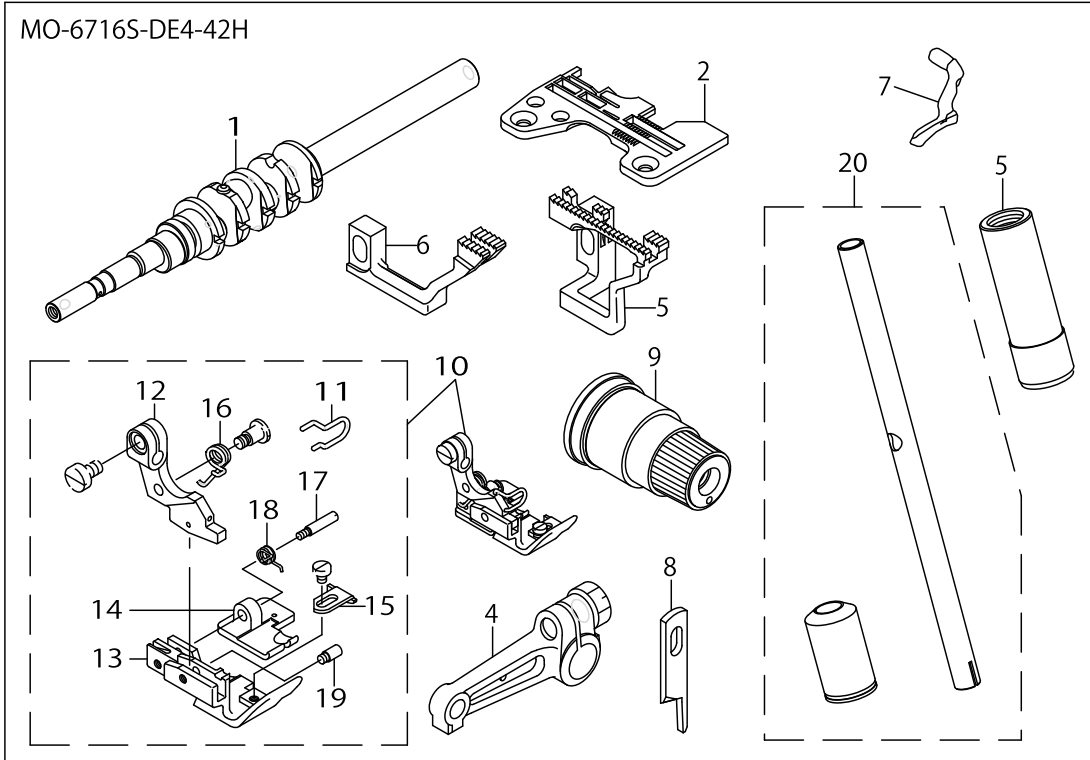
MO-6700S SUBCLASSES (14)

No.	Parts No.	Parts name	Remarks	Level	Cons	Qty
1	40023276	MAIN SHAFT ASM.				1
2	R4612J6FF00	THROAT PLATE				1
3	11883006	MAIN FEED DOG				1
4	12173506	DIFFERENTIAL FEED DOG				1
5	12257507	NEEDLE CLAMP, CHAIN LOOPER				1
6	13207600	NEEDLE HOLDER BUSHING,UPPER				1
7	11991908	UPPER LOOPER				1
8	13150503	KNIFE				1
9	13137559	THREAD TENSION SPRING JUNCTION				1
10	13131156	UPPER LOOPER ARM B ASM.				1
11	12119210	FORKED CRANK				1
12	MDC270B1600	NEEDLE DCX27 #16				2
13	11991189	PRESSER FOOT ASM.				1
14	11930807	HINGE PIN		*		1
15	11821303	FINGER GUARD		*		1
16	11991023	PRESSER FOOT HINGE		*		1
17	11991114	HINGED TYPE PRESSER FOOT		*		1
18	B151581600B	PRESSER FOOT ARM SPRING B		*		1
19	11993508	PRESSER FOOT HINGE PIN		*		1
20	11991205	REAR PRESSER FOOT		*		1
21	11991304	SPRING		*		1
22	13210059	NEEDLE HOLDER (B) ASM.				1



MO-6700S SUBCLASSES (15)

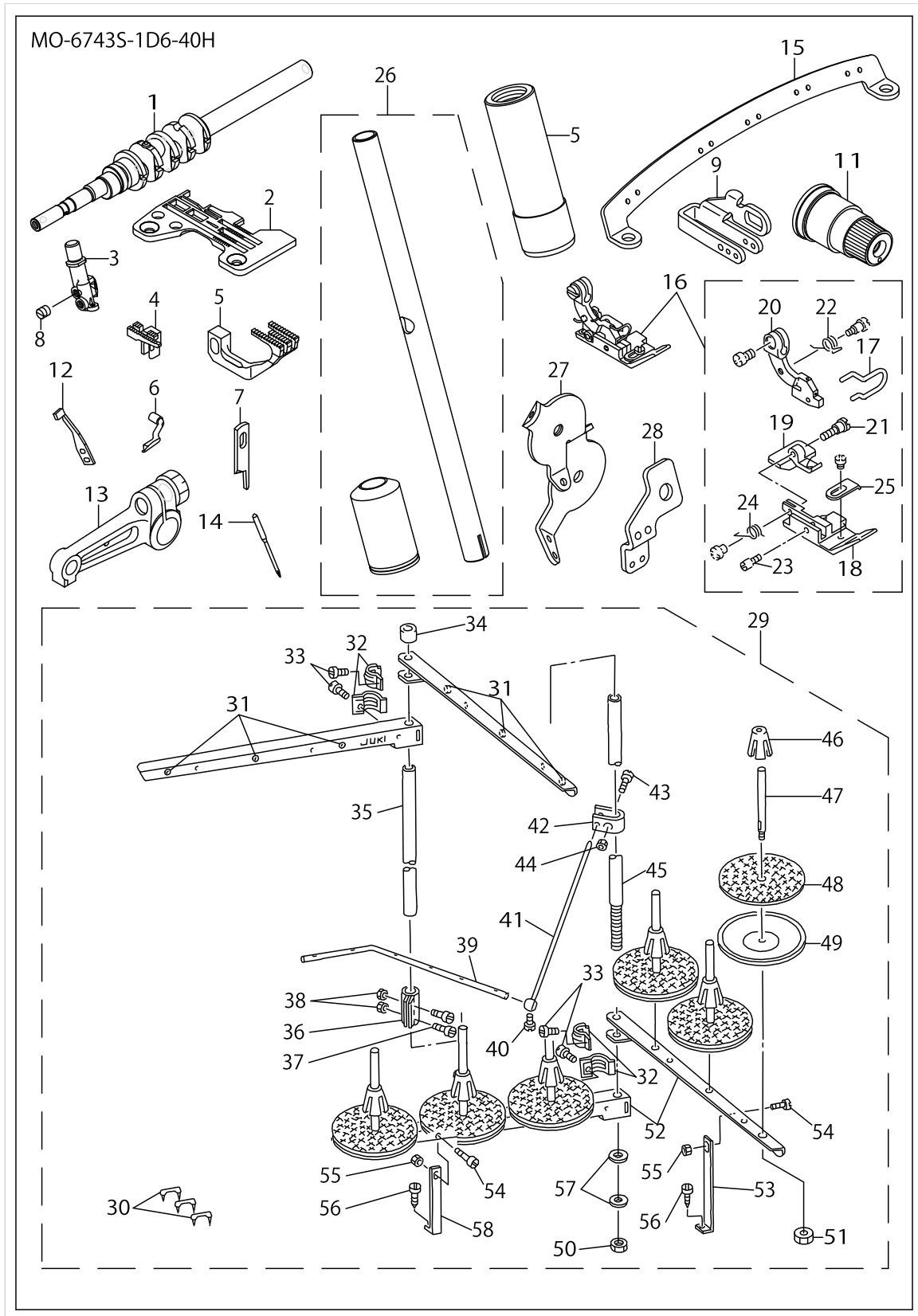
No.	Parts No.	Parts name	Remarks	Level	Cons	Qty
1	40023276	MAIN SHAFT ASM.				1
2	R4612J6FD0A	THROAT PLATE				1
3	13207600	NEEDLE HOLDER BUSHING				1
4	13150503	KNIFE				1
5	12170908	MAIN FEED DOG				1
6	12174504	DIFFERENTIAL FEED DOG				1
7	11991908	UPPER LOOPER				1
8	12257507	NEEDLE CLAMP, CHAIN LOOPER				1
9	MDC270B1400	NEEDLE DCX27 #14				2
10	12119210	FORKED CRANK				1
11	13210059	NEEDLE HOLDER (B) ASM.				1
12	13131156	UPPER LOOPER ARM B ASM.				1
13	12154860	PRESSER FOOT ASM.				1
14	11930807	HINGE PIN		*		1
15	11821303	FINGER GUARD		*		1
16	12163309	PRESSER FOOT		*		1
17	11991205	REAR PRESSER FOOT		*		1
18	11991023	PRESSER FOOT HINGE		*		1
19	12168100	CLOTH GUIDE		*		1
20	B151581600B	PRESSER FOOT ARM SPRING B		*		1
21	11993508	PRESSER FOOT HINGE PIN		*		1
22	11991304	SPRING		*		1



MO-6700S SUBCLASSES (16)

No.	Parts No.	Parts name	Remarks	Level	Cons	Qty
1	40023276	MAIN SHAFT ASM.				1
2	R4508J6ED0B	THROAT PLATE				1
3	13207600	NEEDLE HOLDER BUSHING,UPPER				1
4	13131156	UPPER LOOPER ARM B ASM.				1
5	12170700	MAIN FEED DOG				1
6	12172904	DIFFERENTIAL FEED DOG				1
7	11991908	UPPER LOOPER				1
8	13150503	KNIFE				1
9	13137559	THREAD TENSION SPRING JUNCTION				1
10	12154662	PRESSER FOOT ASM.				1
11	11821303	FINGER GUARD		*		1
12	12157103	PRESSER FOOT HINGE		*		1
13	12163101	FRONT PRESSER FOOT		*		1
14	12165502	REAR PRESSER FOOT		*		1
15	12168100	CLOTH GUIDE		*		1
16	B1515816000	PRESSER FOOT ARM SPRING		*		1
17	11930807	HINGE PIN		*		1
18	11991304	SPRING		*		1
19	11993508	PRESSER FOOT HINGE PIN		*		1
20	13210059	NEEDLE HOLDER (B) ASM.				1

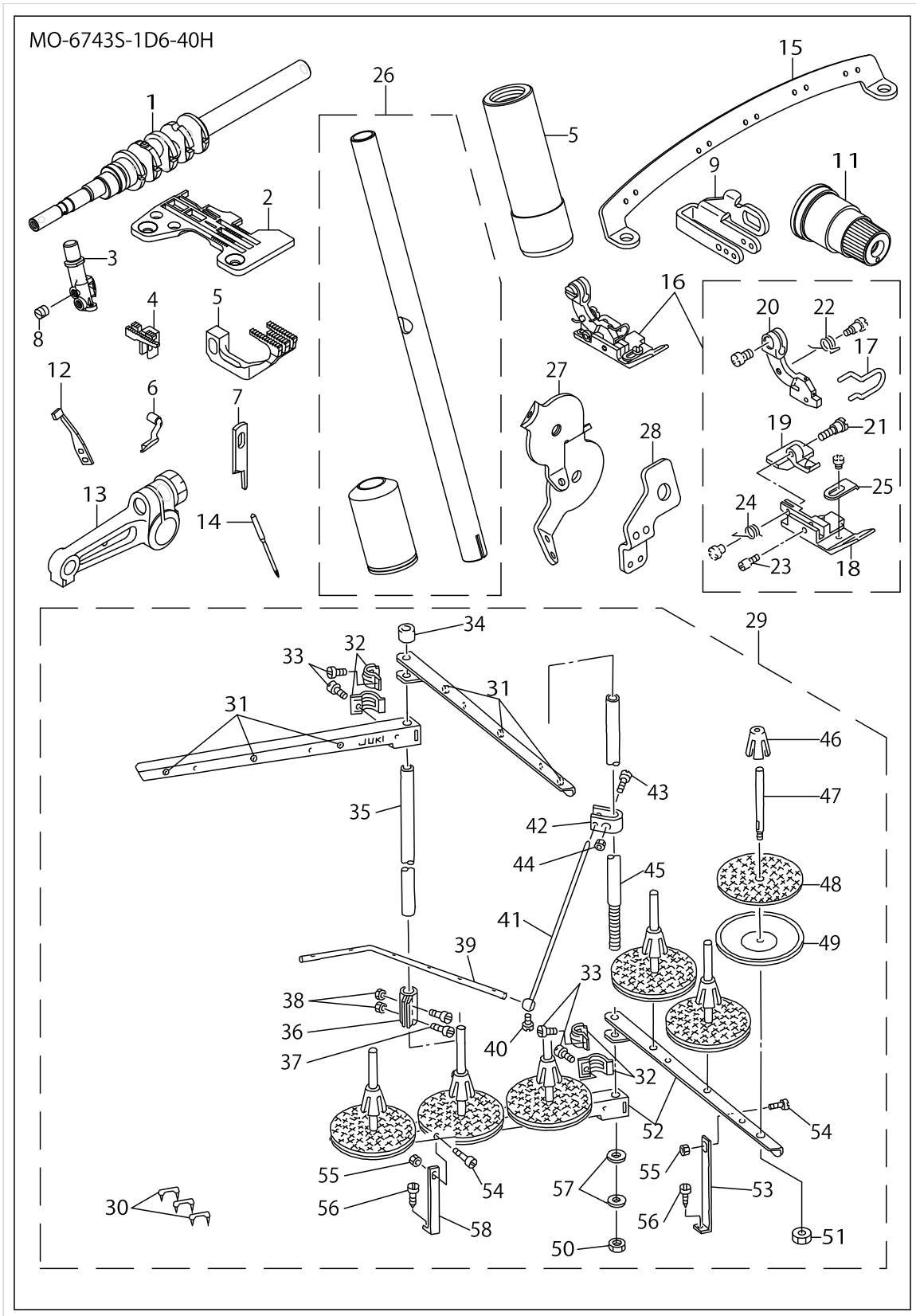
MO-6700S SUBCLASSES (17)



MO-6700S SUBCLASSES (17)

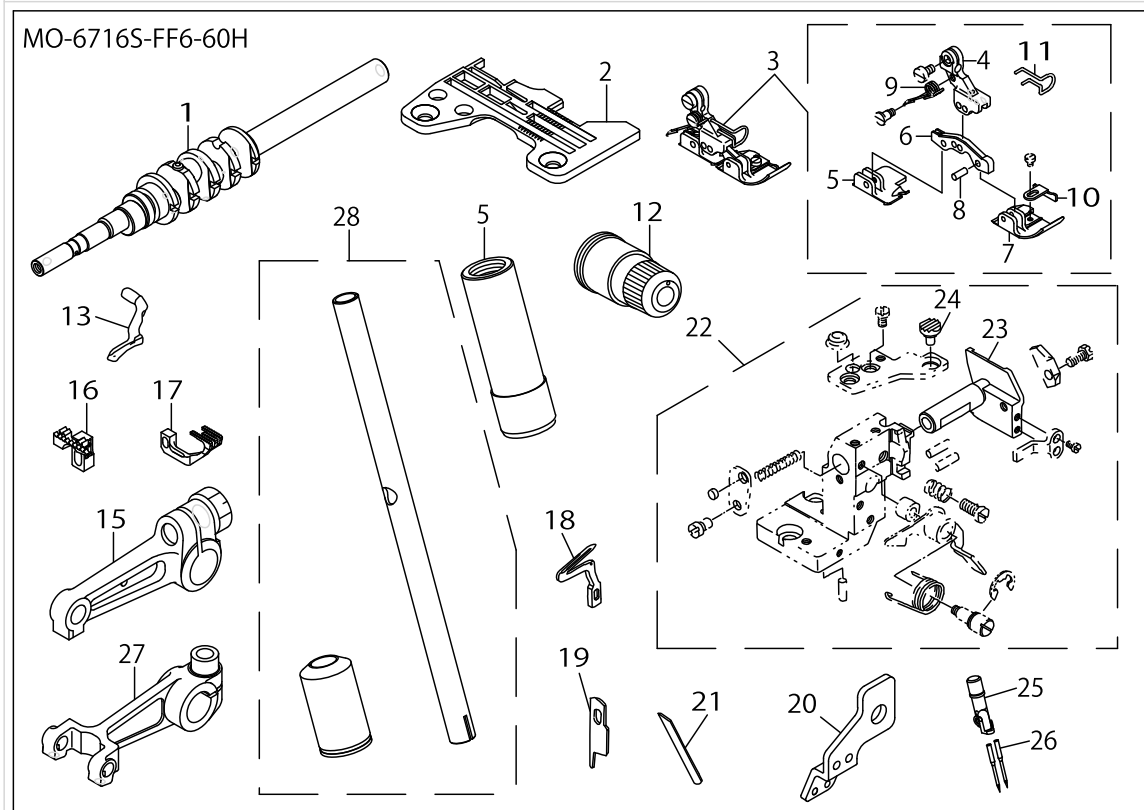
No.	Parts No.	Parts name	Remarks	Level	Cons	Qty
1	40023276	MAIN SHAFT ASM.				1
2	R4612J6DE01	THROAT PLATE				1
3	12275004	CHAIN LOOPER NEEDLE CLAMP				1
4	11884004	MAIN FEED DOG				1
5	12173308	DIFFERENTIAL FEED DOG				1
6	12176103	UPPER LOOPER				1
7	13150503	KNIFE				1
8	SS8080310TP	SCREW 1/8-44 L=2.8				1
9	13209002	NEEDLE THREAD GUIDE, 3-NEEDLE				1
10	13207600	NEEDLE HOLDER BUSHING				1
11	13137559	THREAD TENSION SPRING JUNCTION				1
12	11999406	NEEDLE HOLDER				1
13	13131156	UPPER LOOPER ARM ASM.				1
14	MDC270B1100	NEEDLE DCX27 #11				1
15	13225206	THREAD GUIDE				1
16	11878063	PRESSER FOOT ASM.				1
17	11820800	FINGER GUARD		*		1
18	B1507843F00	PRESSER FOOT		*		1
19	11875507	REAR PRESSER FOOT		*		1
20	11872207	PRESSER FOOT HINGE		*		1
21	B1511816000	HINGE SCREW		*		1
22	B151581600B	PRESSER FOOT ARM SPRING B		*		1
23	B1510816000	HINGE PIN		*		1
24	B1512816000	SPRING, FOR REAR PRESSER FOOT		*		1
25	B1530816D00	AUXILIARY STOPPER		*		1
26	13210059	NEEDLE HOLDER (B) ASM.				1
27	13225305	TENSION DISK THREAD GUIDE				1
28	12281804	TAKE-UP LEVER GUIDE, 2-NEEDLE				1
29	11969854	THREAD STAND ASM.				1
30	MAO11532000	CORD STAPLE		*		3
31	B3319704L00	THREAD GUIDE		*		6
32	B3318704L00	THREAD GUIDE ARM JOINT		*		4
33	SM6061610SC	SCREW M6 L=16		*		4
34	B3311704000	SPOOL REST ROD CAP		*		1
35	11185204	SPOOL REST ROD,UPPER		*		1
36	B3305704000A	SPOOL REST ROD JOINT		*		1
37	SM4051405SE	SCREW M5 L=14		*		2
38	NM6050001SE	NUT M5		*		2
39	B3311843000	LOWER THREAD GUIDE		*		1
40	SS7110540SP	SCREW 11/64-40 L=5		*		1
41	B3309704000	THREAD GUIDE ARM		*		1
42	B3304704000A	THREAD GUIDE ARM HOLDER		*		1
43	SM6053000SE	SCREW M5X0.8 L=30		*		1
44	NM6050001SE	NUT M5		*		1
45	11185105	SPOOL REST ROD,LOWER		*		1
46	11185501	SPOOL RETAINER		*		6
47	B3320704L00	SPOOL PIN		*		6

MO-6700S SUBCLASSES (17)



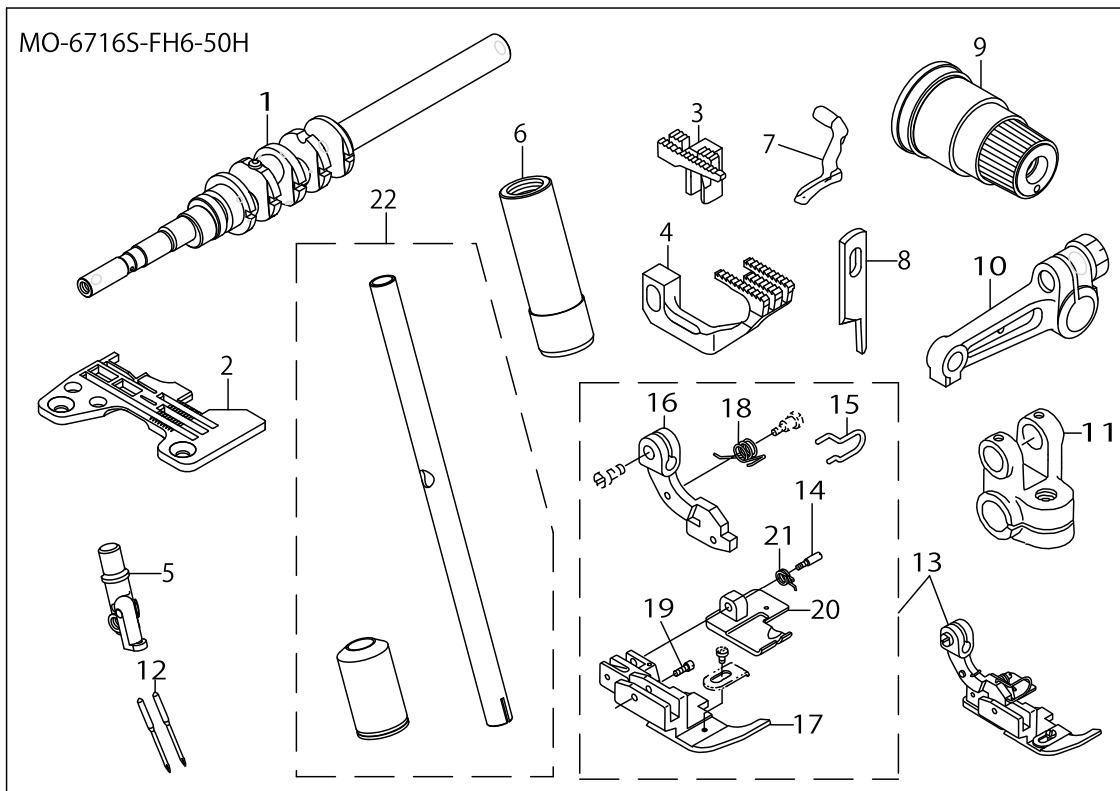
MO-6700S SUBCLASSES (17)

No.	Parts No.	Parts name	Remarks	Level	Cons	Qty
48	B3311012000	SPOOL REST CUSHION		*		6
49	11966504	SPOOL REST		*		6
50	B3317704000	NUT		*		1
51	NM6050001SE	NUT M5		*		6
52	11969508	SPOOL REST ARM A		*		4
53	B3321704L0B	SPOOL REST ARM SUPPORT, B		*		1
54	SM4061201SE	SCREW M6 L=12		*		2
55	NM6060001SE	NUT M6		*		2
56	SK3382001SE	SCREW D=3.8 L=20		*		2
57	WP1612616SE	WASHER 16X30X2.6		*		2
58	B3321704L00	SPOOL REST ARM SUPPORT, A		*		1



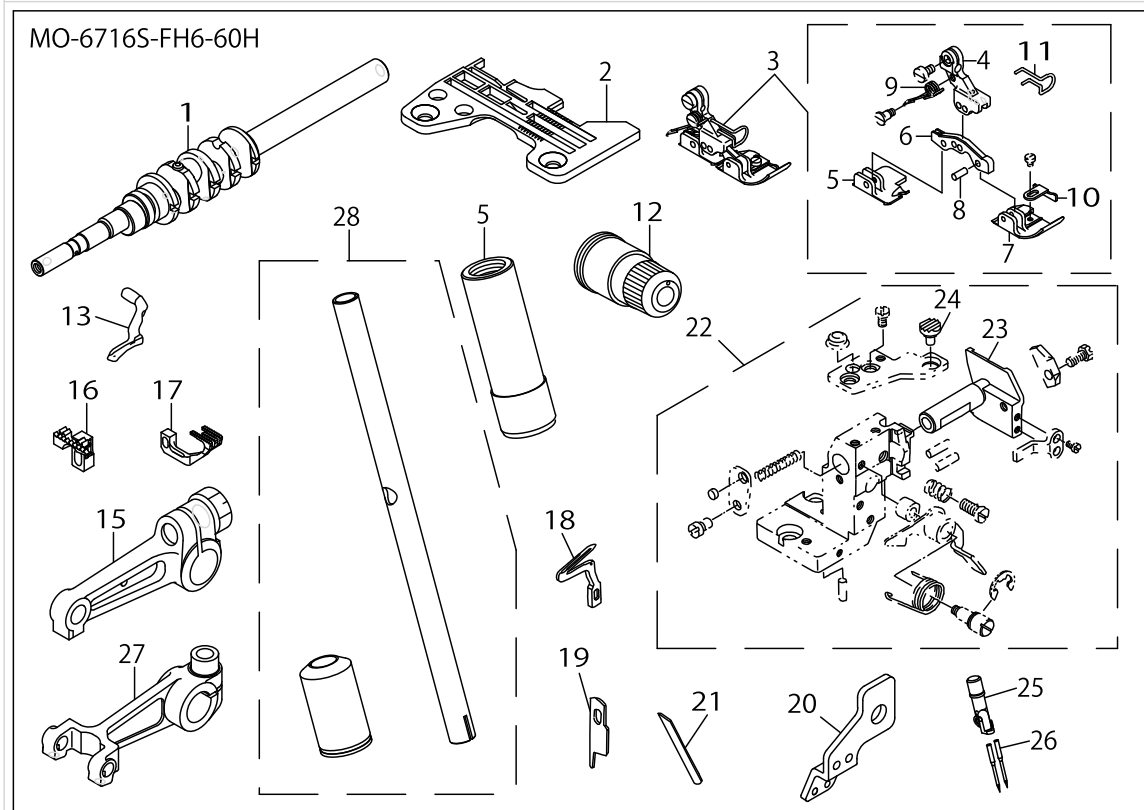
MO-6700S SUBCLASSES (18)

No.	Parts No.	Parts name	Remarks	Level	Cons	Qty
1	40023278	MAIN SHAFT ASM.				1
2	R4612J6FK00	THROAT PLATE				1
3	12155560	PRESSER FOOT ASM.				1
4	12157319	PRESSER FOOT HINGE ARM		*		1
5	12165908	REAR PRESSER FOOT		*		1
6	12168407	PRESSER FOOT HINGE		*		1
7	12164000	PRESSER FOOT		*		1
8	11930708	PRESSER FOOT HINGE PIN		*		3
9	12168506	PRESSER FOOT ARM SPRING		*		1
10	12168605	CLOTH GUIDE		*		1
11	12168803	FINGER GUARD		*		1
12	12255451	THREAD TENSION SPRING ASM.				2
13	12176202	UPPER LOOPER				1
14	13207600	NEEDLE HOLDER BUSHING				1
15	13131156	UPPER LOOPER ARM B ASM.				1
16	12171104	MAIN FEED DOG				1
17	12174207	DIFFERENTIAL FEED DOG				1
18	11999802	LOWER LOOPER				1
19	12004909	KNIFE				1
20	12112801	TAKE-UP LEVER GUIDE				1
21	11566502	LOWER KNIFE				1
22	13232855	LOWER KNIFE BRACKET ASM.				1
23	12133500	LOWER KNIFE SLIDE STUD		*		1
24	13235304	VIBRATION-PROOF RUBBER (A)		*		1
25	12150702	NEEDLE CLAMP, CHAIN LOOPER				1
26	MDC270B2100	NEEDLE DCX27 #21				2
27	13207956	NEEDLE DRIVING ARM ASM.				1
28	13210059	NEEDLE HOLDER (B) ASM.				1



MO-6700S SUBCLASSES (19)

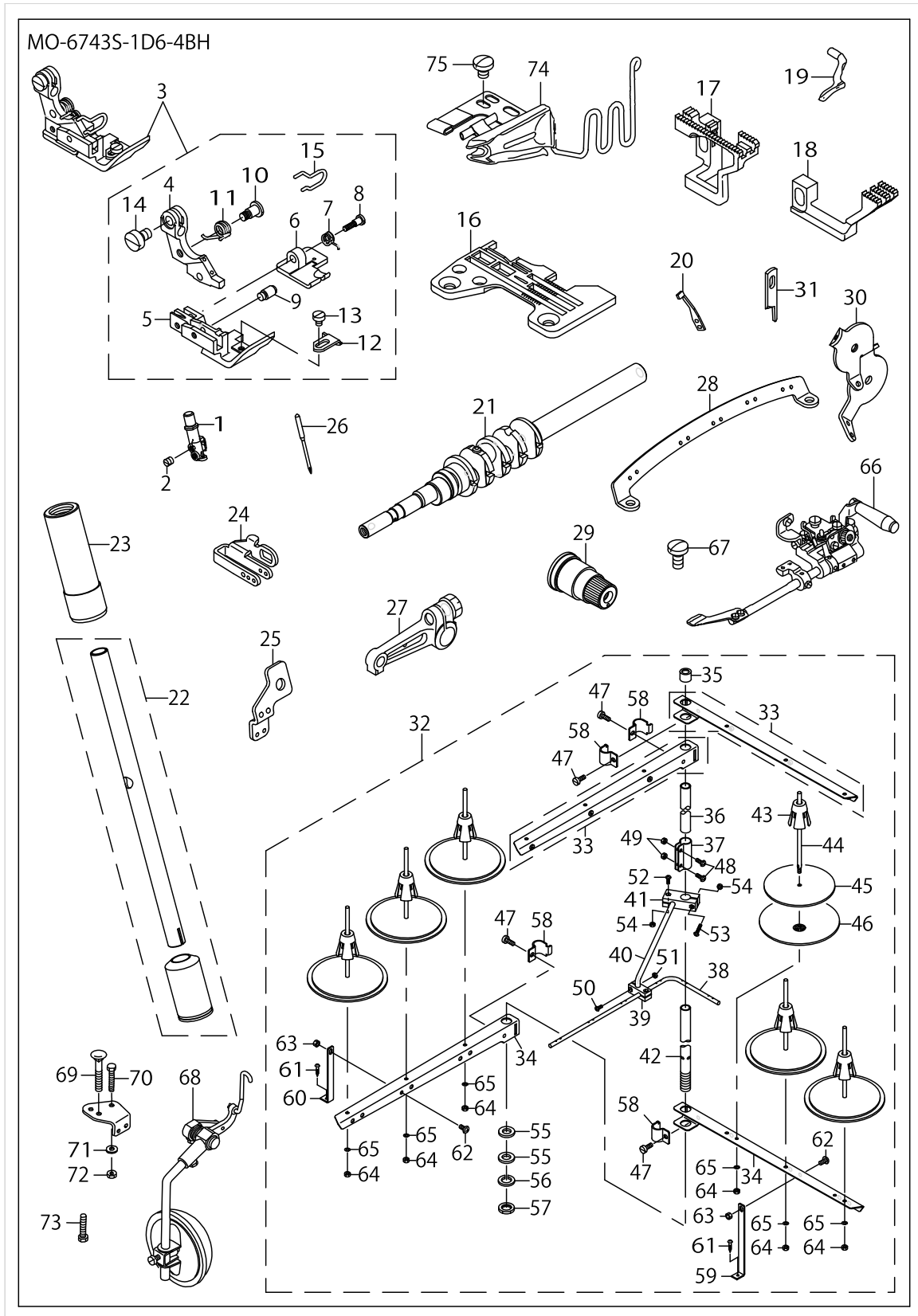
No.	Parts No.	Parts name	Remarks	Level	Cons	Qty
1	40023276	MAIN SHAFT ASM.				1
2	R4612J6HG00	THROAT PLATE				1
3	11883006	MAIN FEED DOG				1
4	12173506	DIFFERENTIAL FEED DOG				1
5	12257507	NEEDLE CLAMP, CHAIN LOOPER				1
6	13207600	NEEDLE HOLDER BUSHING,UPPER				1
7	11991908	UPPER LOOPER				1
8	13150503	KNIFE				1
9	13137559	THREAD TENSION SPRING JUNCTION				1
10	13131156	UPPER LOOPER ARM B ASM.				1
11	12119210	FORKED CRANK				1
12	MDC270B1600	NEEDLE DCX27 #16				2
13	11991189	PRESSER FOOT ASM.				1
14	11930807	HINGE PIN		*		1
15	11821303	FINGER GUARD		*		1
16	11991023	PRESSER FOOT HINGE		*		1
17	11991114	HINGED TYPE PRESSER FOOT		*		1
18	B151581600B	PRESSER FOOT ARM SPRING B		*		1
19	11993508	PRESSER FOOT HINGE PIN		*		1
20	11991205	REAR PRESSER FOOT		*		1
21	11991304	SPRING		*		1
22	13210059	NEEDLE HOLDER (B) ASM.				1



MO-6700S SUBCLASSES (20)

No.	Parts No.	Parts name	Remarks	Level	Cons	Qty
1	40023278	MAIN SHAFT ASM.				1
2	R4612J6HK00	THROAT PLATE				1
3	12155560	PRESSER FOOT ASM.				1
4	12157319	PRESSER FOOT HINGE ARM		*		1
5	12165908	REAR PRESSER FOOT		*		1
6	12168407	PRESSER FOOT HINGE		*		1
7	12164000	PRESSER FOOT		*		1
8	11930708	PRESSER FOOT HINGE PIN		*		3
9	12168506	PRESSER FOOT ARM SPRING		*		1
10	12168605	CLOTH GUIDE		*		1
11	12168803	FINGER GUARD		*		1
12	12255451	THREAD TENSION SPRING ASM.				2
13	12176202	UPPER LOOPER				1
14	13207600	NEEDLE HOLDER BUSHING				1
15	13131156	UPPER LOOPER ARM B ASM.				1
16	12171104	MAIN FEED DOG				1
17	12174207	DIFFERENTIAL FEED DOG				1
18	11999802	LOWER LOOPER				1
19	12004909	KNIFE				1
20	12112801	TAKE-UP LEVER GUIDE				1
21	11566502	LOWER KNIFE				1
22	13232855	LOWER KNIFE BRACKET ASM.				1
23	12133500	LOWER KNIFE SLIDE STUD		*		1
24	13235304	VIBRATION-PROOF RUBBER (A)		*		1
25	12150702	NEEDLE CLAMP, CHAIN LOOPER				1
26	MDC270B2100	NEEDLE DCX27 #21				2
27	13207956	NEEDLE DRIVING ARM ASM.				1
28	13210059	NEEDLE HOLDER (B) ASM.				1

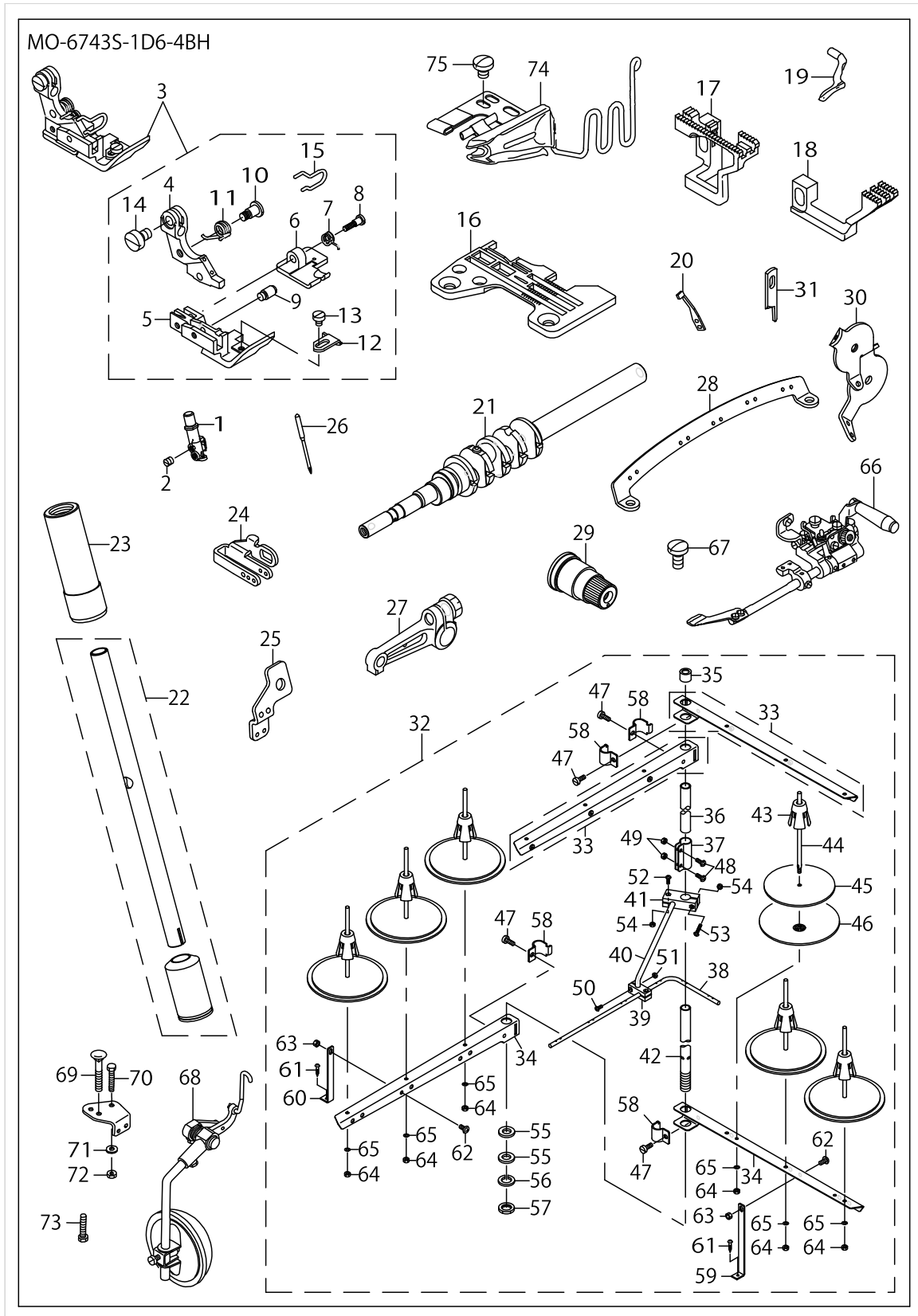
MO-6700S SUBCLASSES (21)



MO-6700S SUBCLASSES (21)

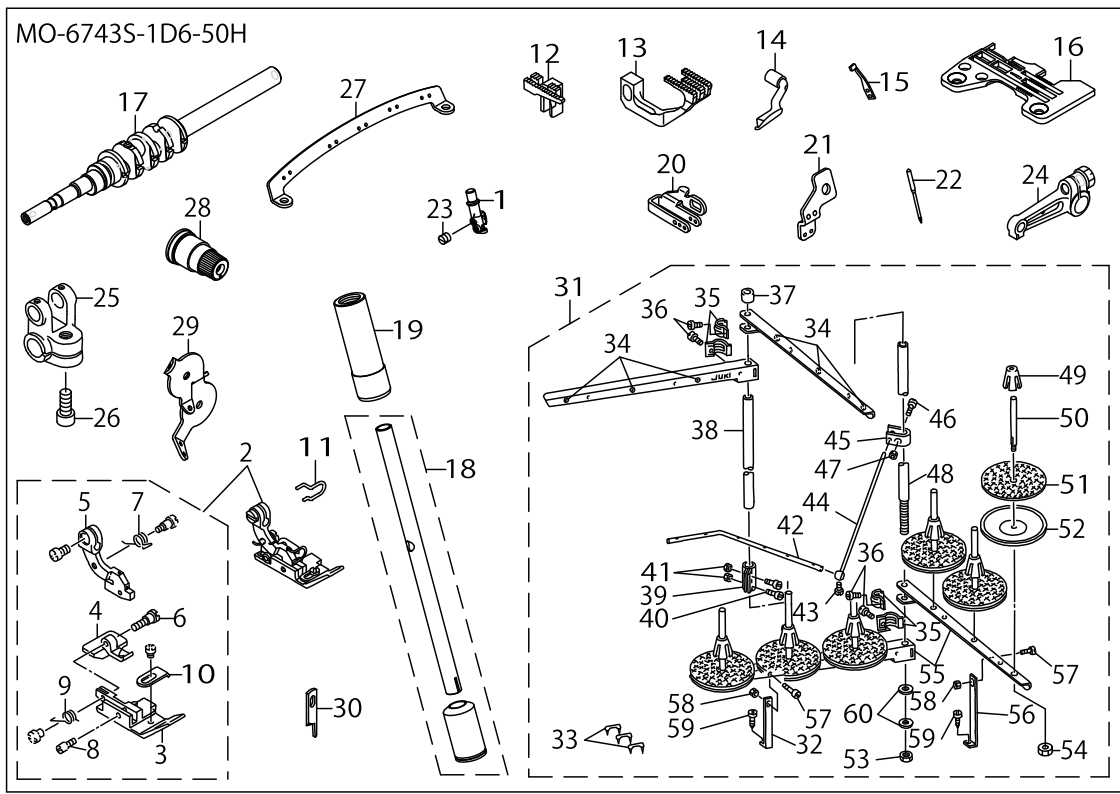
No.	Parts No.	Parts name	Remarks	Level	Cons	Qty
1	12275004	NEEDLE CLAMP CHAIN LOOPER.				1
2	SS8080310TP	SCREW 1/8-44 L=2.8				1
3	40029030	PRESSER FOOT				1
4	11991023	PRESSER FOOT HINGE		*		1
5	40029024	PRESSER FRONT		*		1
6	11991205	REAR PRESSER FOOT		*		1
7	11991304	SPRING		*		1
8	11930807	HINGE PIN		*		1
9	11993508	PRESSER FOOT HINGE PIN		*		1
10	B1514816000	SCREW		*		1
11	B151581600B	PRESSER FOOT ARM SPRING B		*		1
12	12168100	CLOTH GUIDE		*		1
13	SS6060340SP	SCREW 3/32-56 L= 2.5		*		1
14	SS6090670TP	SCREW 9/64-40 L=6		*		1
15	11821303	FINGER GUARD		*		1
16	R4612J6DE02	THROAT PLATE				1
17	12171005	MAIN FEED DOG				1
18	12173407	DIFFERENTIAL FEED DOG				1
19	12176103	UPPER LOOPER				1
20	11999406	NEEDLE HOLDER				1
21	40023276	MAIN SHAFT ASM.				1
22	13210059	NEEDLE HOLDER(B) ASM.				1
23	13207600	NEEDLE HOLDER BUSHING,UPPER				1
24	13209002	NEEDLE THREAD GUIDE, 3-NEEDLE				1
25	13111604	LEVER GUIDE				1
26	MDC270B1100	NEEDLE DCX27 #11				1
27	13131156	UPPER LOOPER ARM B ASM.				1
28	13225206	THREAD GUIDE				1
29	13137559	THREAD TENSION SPRING JUNCTION				1
30	13225305	TENSION DISK THREAD GUIDE				1
31	13150503	KNIFE				1
32	13168653	THREAD STAND ASM.				1
33	13168356	THREAD STANDING ARM ASM. ,LONG		*		2
34	13168307	THREAD STANDING ARM ,LONG		*		2
35	22931406	SPOOL REST ROD RUBBER CAP		*		1
36	22930408	SPOOL REST ROD, UPPER		*		1
37	22931307	SPOOL REST ROD JOINT		*		1
38	13167903	THREAD STANDING THREAD GUIDE		*		1
39	13168000	THREAD GUIDE BASE, LOWER		*		1
40	13168109	THREAD GUIDE ARM BASE		*		1
41	13168208	THREAD GUIDE ARM BASE		*		1
42	22930309	SPOOL REST ROD, LOWER		*		1
43	22931109	SPOOL RETAINER		*		6
44	22931000	SPOOL PIN		*		6
45	22930903	SPOOL REST CUSHION		*		6
46	22930804	SPOOL REST		*		6
47	SM6061610SC	SCREW M6 L=16		*		4

MO-6700S SUBCLASSES (21)



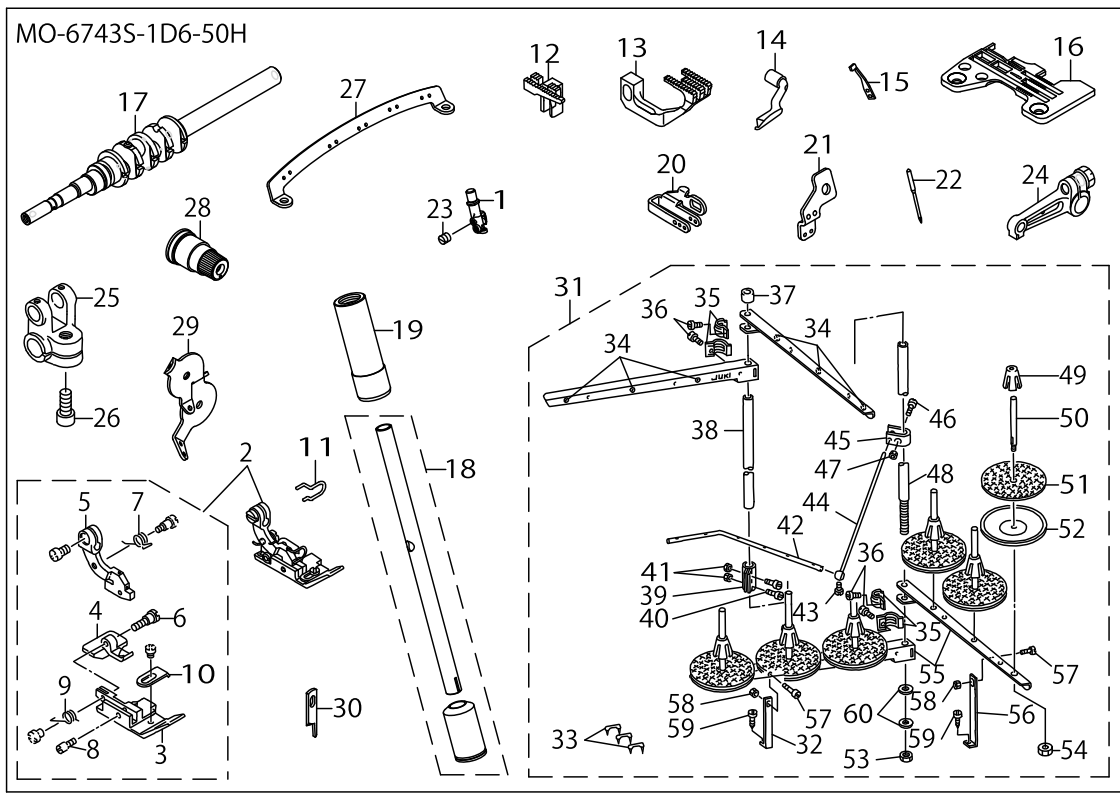
MO-6700S SUBCLASSES (21)

No.	Parts No.	Parts name	Remarks	Level	Cons	Qty
48	SM4051405SE	SCREW M5 L=14		*		2
49	NM6050001SE	NUT M5		*		2
50	SM4041001SC	SCREW M4X0.7 L=10		*		2
51	NM6040002SE	NUT M4X0.7		*		2
52	SM4041201SC	SCREW M4 L=12		*		1
53	SM4042001SC	SCREW M4 X 20		*		1
54	NM6040002SE	NUT M4X0.7		*		2
55	WP1612616SE	WASHER 16X30X2.6		*		2
56	WS1643202KR	SPRING WASHER		*		1
57	NM6160511SE	NUT M16X1.5		*		1
58	22930705	THREAD GUIDE ARM JOINT		*		4
59	13168505	THREAD STANDING ARM SUPPORT B		*		1
60	13168406	THREAD STANDING ARM SUPPORT A		*		1
61	SK3382001SE	SCREW D=3.8 L=20		*		2
62	SM4061201SE	SCREW M6 L=12		*		2
63	NM6060001SE	NUT M6		*		2
64	NM6050001SE	NUT M5		*		6
65	WS0510002KN	SPRING WASHER		*		6
66	MAS161010A0	PEDAL SHIRRING ATTACHMENT ASM.				1
67	SS7110840SP	SCREW 11/64-40 L=7.8				1
68	MAS107010B0	KNEE OPERATING DEVICE ASM.				1
69	MAS10704000	BOLT	FOR DESK TOP TABLE ONLY			1
70	SM9083013SC	SCREW M8 L=30	FOR DESK TOP TABLE ONLY			1
71	WP0850002SC	WASHER 8.5X18X1.6	FOR DESK TOP TABLE ONLY			1
72	NM6080600SM	NUT M8	FOR DESK TOP TABLE ONLY			1
73	SM9084533SC	SCREW M8 L=45	FOR FULLY-SUNKEN TABLE ONLY			2
74	MAM0770M0A0	PIPING FOLDER				1
75	SS7110510SP	SCREW 11/64-40 L=5				2



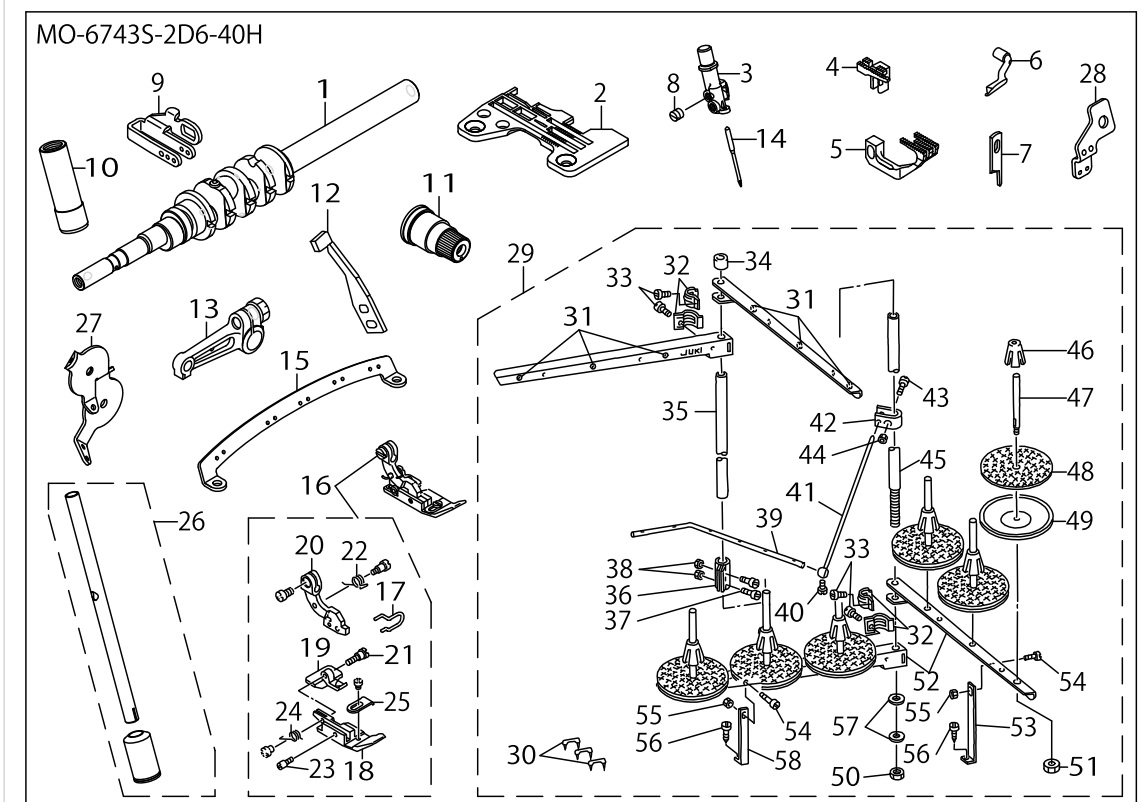
MO-6700S SUBCLASSES (22)

No.	Parts No.	Parts name	Remarks	Level	Cons	Qty
1	12275004	NEEDLE CLAMP CHAIN LOOPER.				1
2	11878055	PRESSER FOOT ASM.				1
3	B1507843F00	PRESSER FOOT		*		1
4	11875507	REAR PRESSER FOOT		*		1
5	11872207	PRESSER FOOT HINGE		*		1
6	B1511816000	HINGE SCREW		*		1
7	B151581600B	PRESSER FOOT ARM SPRING B		*		1
8	B1510816000	HINGE PIN		*		1
9	B1512816000	SPRING, FOR REAR PRESSER FOOT		*		1
10	B1530816D00	AUXILIARY STOPPER		*		1
11	11820800	FINGER GUARD				1
12	11883006	MAIN FEED DOG				1
13	12173506	DIFFERENTIAL FEED DOG				1
14	12176004	UPPER LOOPER				1
15	11999406	NEEDLE HOLDER				1
16	R4612J6DE03	THROAT PLATE				1
17	40023276	MAIN SHAFT ASM.				1
18	13210059	NEEDLE HOLDER(B) ASM.				1
19	13207600	NEEDLE HOLDER BUSHING,UPPER				1
20	13209002	NEEDLE THREAD GUIDE, 3-NEEDLE				1
21	12281804	TAKE-UP LEVER GUIDE, 2-NEEDLE				1
22	MDC270B1400	NEEDLE DCX27 #14				3
23	SS8080310TP	SCREW 1/8-44 L=2.8				1
24	13131156	UPPER LOOPER ARM B ASM.				1
25	12119210	FORKED CRANK				1
26	SM6061402TP	SCREW M6 L=14				1
27	13225206	THREAD GUIDE				1
28	13140652	THREAD TENSION SPRING JUNCTION				1
29	13225305	TENSION DISK THREAD GUIDE				1
30	13150503	KNIFE				1
31	11969854	THREAD STAND ASM.				1
32	B3321704L00	SPOOL REST ARM SUPPORT, A		*		1
33	MAO11532000	CORD STAPLE		*		3
34	B3319704L00	THREAD GUIDE		*		6
35	B3318704L00	THREAD GUIDE ARM JOINT		*		4
36	SM6061610SC	SCREW M6 L=16		*		4
37	B3311704000	SPOOL REST ROD CAP		*		1
38	11185204	SPOOL REST ROD,UPPER		*		1
39	B3305704000A	SPOOL REST ROD JOINT		*		1
40	SM4051405SE	SCREW M5 L=14		*		2
41	NM6050001SE	NUT M5		*		2
42	B3311843000	LOWER THREAD GUIDE		*		1
43	SS7110540SP	SCREW 11/64-40 L=5		*		1
44	B3309704000	THREAD GUIDE ARM		*		1
45	B3304704000A	THREAD GUIDE ARM HOLDER		*		1
46	SM6053000SE	SCREW M5X0.8 L=30		*		1
47	NM6050001SE	NUT M5		*		1



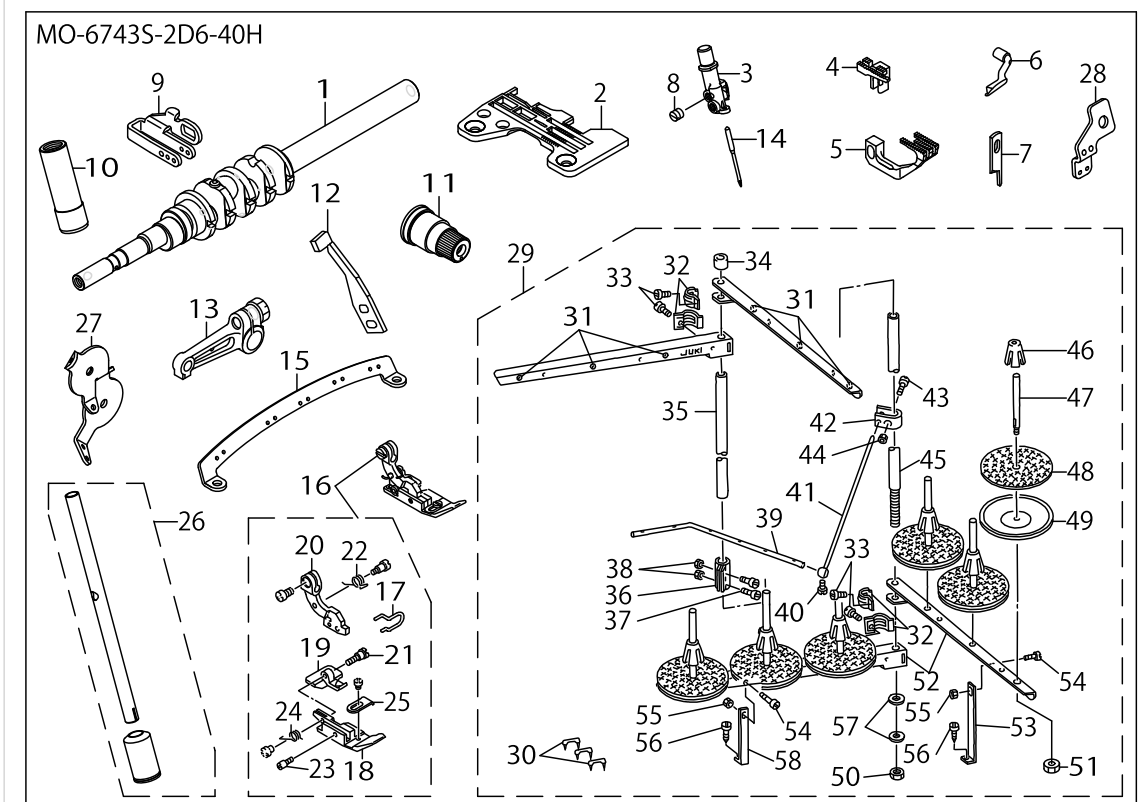
MO-6700S SUBCLASSES (22)

No.	Parts No.	Parts name	Remarks	Level	Cons	Qty
48	11185105	SPOOL REST ROD,LOWER		*		1
49	11185501	SPOOL RETAINER		*		6
50	B3320704L00	SPOOL PIN		*		6
51	B3311012000	SPOOL REST CUSHION		*		6
52	11966504	SPOOL REST		*		6
53	B3317704000	NUT		*		1
54	NM6050001SE	NUT M5		*		6
55	11969508	SPOOL REST ARM A		*		4
56	B3321704L0B	SPOOL REST ARM SUPPORT, B		*		1
57	SM4061201SE	SCREW M6 L=12		*		2
58	NM6060001SE	NUT M6		*		2
59	SK3382001SE	SCREW D=3.8 L=20		*		2
60	WP1612616SE	WASHER 16X30X2.6		*		2



MO-6700S SUBCLASSES (23)

No.	Parts No.	Parts name	Remarks	Level	Cons	Qty
1	40023276	MAIN SHAFT ASM.				1
2	R4608J6DE01	THROAT PLATE				1
3	12150504	CHAIN LOOPER NEEDLE CLAMP				1
4	11882305	MAIN FEED DOG				1
5	12173308	DIFFERENTIAL FEED DOG				1
6	12176103	UPPER LOOPER				1
7	13150503	KNIFE				1
8	SS8080310TP	SCREW 1/8-44 L=2.8				1
9	13209002	NEEDLE THREAD GUIDE, 3-NEEDLE				1
10	13207600	NEEDLE HOLDER BUSHING				1
11	13137559	THREAD TENSION SPRING JUNCTION				1
12	11999406	NEEDLE HOLDER				1
13	13131156	UPPER LOOPER ARM ASM.				1
14	MDC270B1100	NEEDLE DCX27 #11				1
15	13225206	THREAD GUIDE				1
16	11877958	PRESSER FOOT ASM.				1
17	11821303	FINGER GUARD		*		1
18	B1507843D00	PRESSER FOOT		*		1
19	11875408	REAR PRESSER FOOT		*		1
20	11872216	PRESSER FOOT HINGE		*		1
21	B1511816000	HINGE SCREW		*		1
22	B151581600B	PRESSER FOOT ARM SPRING B		*		1
23	B1510816000	HINGE PIN		*		1
24	B1512816000	SPRING, FOR REAR PRESSER FOOT		*		1
25	B1530816D00	AUXILIARY STOPPER		*		1
26	13210059	NEEDLE HOLDER (B) ASM.				1
27	13225305	TENSION DISK THREAD GUIDE				1
28	13111604	LEVER GUIDE				1
29	11969854	THREAD STAND ASM.				1
30	MAO11532000	CORD STAPLE		*		3
31	B3319704L00	THREAD GUIDE		*		6
32	B3318704L00	THREAD GUIDE ARM JOINT		*		4
33	SM6061610SC	SCREW M6 L=16		*		4
34	B3311704000	SPOOL REST ROD CAP		*		1
35	11185204	SPOOL REST ROD,UPPER		*		1
36	B3305704000A	SPOOL REST ROD JOINT		*		1
37	SM4051405SE	SCREW M5 L=14		*		2
38	NM6050001SE	NUT M5		*		2
39	B3311843000	LOWER THREAD GUIDE		*		1
40	SS7110540SP	SCREW 11/64-40 L=5		*		1
41	B3309704000	THREAD GUIDE ARM		*		1
42	B3304704000A	THREAD GUIDE ARM HOLDER		*		1
43	SM6053000SE	SCREW M5X0.8 L=30		*		1
44	NM6050001SE	NUT M5		*		1
45	11185105	SPOOL REST ROD,LOWER		*		1
46	11185501	SPOOL RETAINER		*		6
47	B3320704L00	SPOOL PIN		*		6



MO-6700S SUBCLASSES (23)

No.	Parts No.	Parts name	Remarks	Level	Cons	Qty
48	B3311012000	SPOOL REST CUSHION		*		6
49	11966504	SPOOL REST		*		6
50	B3317704000	NUT		*		1
51	NM6050001SE	NUT M5		*		6
52	11969508	SPOOL REST ARM A		*		4
53	B3321704L0B	SPOOL REST ARM SUPPORT, B		*		1
54	SM4061201SE	SCREW M6 L=12		*		2
55	NM6060001SE	NUT M6		*		2
56	SK3382001SE	SCREW D=3.8 L=20		*		2
57	WP1612616SE	WASHER 16X30X2.6		*		2
58	B3321704L00	SPOOL REST ARM SUPPORT, A		*		1

HOW TO MAKE USE OF THIS PARTS LIST

1.As to "#01" and "#02" refer to the "Note" given at the bottom of the respective pages.

2.Codes on the "Qty" column

- Each numeral indicates the number of parts required.
- "0.1" and "2.5" indicate the length (in meters) of the respective parts.

3.Parentheses mean that the corresponding part is a subpart that constructs an assembly part.

4.Dotted lines on the Figures indicate assembly parts.

1. リストページの# 0 1、# 0 2の印は、ページ下の"注記"の説明を参照下さい。
2. 数量欄の数字は、個数を表し、0. 1、2. 5等の数値は、長さ（単位メートル）を表します。
3. 数量欄の（ ）は、組部品を構成している子部品であることを意味します。
4. イラストページの-----枠は、組構成であることを意味します。

NUMERICAL INDEX OF PARTS

PART NO	PAGE	REF NO.	PART NO	PAGE	REF NO.	PART NO	PAGE	REF NO.
11185105	34	45	11883501	20	3	11991908	26	7
11185105	50	48	11884004	26	3	11991908	28	7
11185105	52	45	11884004	34	4	11991908	30	7
11185204	34	35	11885100	4	4	11991908	32	7
11185204	48	38	11885605	6	4	11991908	40	7
11185204	52	35	11887304	22	3	11992104	8	15
11185501	34	46	11930708	38	8	11992161	8	13
11185501	50	49	11930708	42	8	11993508	28	19
11185501	52	46	11930807	28	14	11993508	30	21
11566502	38	21	11930807	30	14	11993508	32	19
11566502	42	21	11930807	32	17	11993508	40	19
11597101	10	3	11930807	40	14	11993508	44	9
11597101	16	3	11930807	44	8	11999406	34	12
11820800	34	17	11966504	36	49	11999406	44	20
11820800	48	11	11966504	50	52	11999406	48	15
11821303	28	15	11966504	54	49	11999406	52	12
11821303	30	15	11969508	36	52	11999802	38	18
11821303	32	11	11969508	50	55	11999802	42	18
11821303	40	15	11969508	54	52	12004909	38	19
11821303	44	15	11969854	34	29	12004909	42	19
11821303	52	17	11969854	48	31	12104709	8	10
11872207	34	20	11969854	52	29	12105557	8	12
11872207	48	5	11991023	28	16	12112504	2	6
11872216	52	20	11991023	30	18	12112603	2	7
11873007	4	6	11991023	40	16	12112702	2	5
11873007	6	12	11991023	44	4	12112801	38	20
11874807	8	14	11991114	28	17	12112801	42	20
11875408	52	19	11991114	40	17	12119210	28	11
11875507	34	19	11991189	28	13	12119210	30	10
11875507	48	4	11991189	40	13	12119210	40	11
11876265	4	19	11991205	28	20	12119210	48	25
11876364	4	5	11991205	30	17	12133500	38	23
11876463	6	11	11991205	40	20	12133500	42	23
11877958	52	16	11991205	44	6	12150504	52	3
11878055	48	2	11991304	28	21	12150702	38	25
11878063	34	16	11991304	30	22	12150702	42	25
11879269	20	14	11991304	32	18	12152955	12	15
11882206	4	3	11991304	40	21	12152955	14	13
11882305	52	4	11991304	44	7	12152963	18	12
11882602	22	2	11991908	2	14	12153961	22	10
11882909	24	9	11991908	4	14	12154266	26	11
11883006	28	3	11991908	6	6	12154662	32	10
11883006	40	3	11991908	8	5	12154860	30	13
11883006	48	12	11991908	22	6	12155560	38	3
11883303	6	3	11991908	24	13	12155560	42	3

NUMERICAL INDEX OF PARTS

PART NO	PAGE	REF NO.	PART NO	PAGE	REF NO.	PART NO	PAGE	REF NO.
12157004	26	14	12173506	40	4	13131156	40	10
12157103	32	12	12173506	48	13	13131156	42	15
12157202	22	11	12174207	38	17	13131156	44	27
12157319	38	4	12174207	42	17	13131156	48	24
12157319	42	4	12174504	30	6	13131156	52	13
12158002	18	15	12176004	48	14	13132006	2	15
12160305	18	14	12176103	10	14	13132006	4	17
12160909	18	13	12176103	12	16	13132006	6	8
12162400	22	12	12176103	14	14	13132006	8	6
12162707	26	13	12176103	16	12	13132006	10	18
12163101	32	13	12176103	18	9	13132006	12	22
12163309	30	16	12176103	20	12	13132006	14	19
12164000	38	7	12176103	34	6	13132006	16	17
12164000	42	7	12176103	44	19	13132006	18	7
12165007	22	13	12176103	52	6	13132006	20	13
12165304	26	12	12176202	38	13	13137559	28	9
12165502	32	14	12176202	42	13	13137559	32	9
12165908	38	5	12255451	38	12	13137559	34	11
12165908	42	5	12255451	42	12	13137559	40	9
12168001	26	15	12257507	26	5	13137559	44	29
12168100	30	19	12257507	28	5	13137559	52	11
12168100	32	15	12257507	30	8	13138359	8	8
12168100	44	12	12257507	40	5	13140652	48	28
12168209	26	16	12275004	34	3	13150503	24	14
12168308	22	14	12275004	44	1	13150503	26	8
12168407	38	6	12275004	48	1	13150503	28	8
12168407	42	6	12275509	10	9	13150503	30	4
12168506	38	9	12275608	22	7	13150503	32	8
12168506	42	9	12281804	34	28	13150503	34	7
12168605	38	10	12281804	48	21	13150503	40	8
12168605	42	10	13111604	44	25	13150503	44	31
12168803	38	11	13111604	52	28	13150503	48	30
12168803	42	11	13131057	10	12	13150503	52	7
12170700	32	5	13131156	2	16	13150602	8	4
12170908	30	5	13131156	4	16	13167903	44	38
12171005	44	17	13131156	6	9	13168000	44	39
12171104	38	16	13131156	8	7	13168109	44	40
12171104	42	16	13131156	22	9	13168208	44	41
12172904	32	6	13131156	24	6	13168307	44	34
12173209	24	10	13131156	26	10	13168356	44	33
12173308	26	4	13131156	28	10	13168406	46	60
12173308	34	5	13131156	30	12	13168505	46	59
12173308	52	5	13131156	32	4	13168653	44	32
12173407	44	18	13131156	34	13	13205158	2	12
12173506	28	4	13131156	38	15	13207600	2	13

NUMERICAL INDEX OF PARTS

PART NO	PAGE	REF NO.	PART NO	PAGE	REF NO.	PART NO	PAGE	REF NO.
13207600	4	15	13210059	38	28	40023276	14	15
13207600	6	7	13210059	40	22	40023276	16	13
13207600	8	3	13210059	42	28	40023276	18	1
13207600	10	13	13210059	44	22	40023276	20	1
13207600	12	19	13210059	48	18	40023276	22	1
13207600	14	17	13210059	52	26	40023276	24	11
13207600	16	14	13222203	10	20	40023276	26	1
13207600	18	3	13222203	12	23	40023276	28	1
13207600	20	5	13222203	14	20	40023276	30	1
13207600	22	5	13222203	16	16	40023276	32	1
13207600	24	12	13222203	18	11	40023276	34	1
13207600	26	6	13222203	20	11	40023276	40	1
13207600	28	6	13225206	34	15	40023276	44	21
13207600	30	3	13225206	44	28	40023276	48	17
13207600	32	3	13225206	48	27	40023276	52	1
13207600	34	10	13225206	52	15	40023278	38	1
13207600	38	14	13225305	34	27	40023278	42	1
13207600	40	6	13225305	44	30	40029024	44	5
13207600	42	14	13225305	48	29	40029030	44	3
13207600	44	23	13225305	52	27	B1507814B0B	20	15
13207600	48	19	13232855	38	22	B1507843D00	52	18
13207600	52	10	13232855	42	22	B1507843F00	34	18
13207956	38	27	13235304	38	24	B1507843F00	48	3
13207956	42	27	13235304	42	24	B1509804C0A	4	20
13209002	34	9	22930309	44	42	B1509804C0A	6	13
13209002	44	24	22930408	44	36	B1509814B0B	20	17
13209002	48	20	22930705	46	58	B1510816000	34	23
13209002	52	9	22930804	44	46	B1510816000	48	8
13210059	2	11	22930903	44	45	B1510816000	52	23
13210059	4	18	22931000	44	44	B1511816000	34	21
13210059	6	5	22931109	44	43	B1511816000	48	6
13210059	8	2	22931307	44	37	B1511816000	52	21
13210059	10	16	22931406	44	35	B1512816000	34	24
13210059	12	18	40015637	10	19	B1512816000	48	9
13210059	14	16	40015637	12	21	B1512816000	52	24
13210059	16	11	40015637	14	18	B1514816000	44	10
13210059	18	2	40015637	16	15	B1515816000	32	16
13210059	20	19	40015637	18	10	B151581600B	28	18
13210059	22	8	40015637	20	10	B151581600B	30	20
13210059	24	8	40023276	2	1	B151581600B	34	22
13210059	26	9	40023276	4	12	B151581600B	40	18
13210059	28	22	40023276	6	1	B151581600B	44	11
13210059	30	11	40023276	8	1	B151581600B	48	7
13210059	32	20	40023276	10	17	B151581600B	52	22
13210059	34	26	40023276	12	17	B1530816D00	34	25

NUMERICAL INDEX OF PARTS

PART NO	PAGE	REF NO.	PART NO	PAGE	REF NO.	PART NO	PAGE	REF NO.
B1530816D00	48	10	MAO11532000	48	33	R4305J6DE00	12	1
B1530816D00	52	25	MAO11532000	52	30	R4305J6DE00	14	1
B1531814000	20	16	MAQ141000A0	12	25	R4405J6EE00	20	2
B1657814B0E	10	4	MAQ141000A0	14	21	R4505J6ED00	22	4
B1657814B0E	16	4	MAQ141000A0	18	4	R4508J6ED0B	32	2
B1657814B0F	20	4	MAQ141000A0	20	7	R4608J6DE01	52	2
B3304704000A	34	42	MAS107010B0	46	68	R4608J6ED00	24	7
B3304704000A	48	45	MAS10704000	46	69	R4612J6DE01	34	2
B3304704000A	52	42	MAS161010A0	46	66	R4612J6DE02	44	16
B3305704000A	34	36	MDC270B0900	8	9	R4612J6DE03	48	16
B3305704000A	48	39	MDC270B0900	10	15	R4612J6FD00	26	2
B3305704000A	52	36	MDC270B0900	12	20·27	R4612J6FD0A	30	2
B3309704000	34	41	MDC270B0904	12	20·27	R4612J6FF00	28	2
B3309704000	48	44	MDC270B1100	34	14	R4612J6FK00	38	2
B3309704000	52	41	MDC270B1100	44	26	R4612J6HG00	40	2
B3311012000	36	48	MDC270B1100	52	14	R4612J6HK00	42	2
B3311012000	50	51	MDC270B1400	6	10	SK3382001SE	36	56
B3311012000	54	48	MDC270B1400	18	8	SK3382001SE	46	61
B3311704000	34	34	MDC270B1400	20	8	SK3382001SE	50	59
B3311704000	48	37	MDC270B1400	30	9	SK3382001SE	54	56
B3311704000	52	34	MDC270B1400	48	22	SM4041001SC	46	50
B3311843000	34	39	MDC270B1600	28	12	SM4041201SC	46	52
B3311843000	48	42	MDC270B1600	40	12	SM4042001SC	46	53
B3311843000	52	39	MDC270B2100	38	26	SM4051405SE	34	37
B3317704000	36	50	MDC270B2100	42	26	SM4051405SE	46	48
B3317704000	50	53	NM6040002SE	46	54	SM4051405SE	48	40
B3317704000	54	50	NM6050001SE	34	51	SM4051405SE	52	37
B3318704L00	34	32	NM6050001SE	36	51	SM4061201SE	36	54
B3318704L00	48	35	NM6050001SE	46	64	SM4061201SE	46	62
B3318704L00	52	32	NM6050001SE	48	54	SM4061201SE	50	57
B3319704L00	34	31	NM6050001SE	50	54	SM4061201SE	54	54
B3319704L00	48	34	NM6050001SE	52	51	SM6053000SE	34	43
B3319704L00	52	31	NM6050001SE	54	51	SM6053000SE	48	46
B3320704L00	34	47	NM6060001SE	36	55	SM6053000SE	52	43
B3320704L00	50	50	NM6060001SE	46	63	SM6061402TP	48	26
B3320704L00	52	47	NM6060001SE	50	58	SM6061610SC	34	33
B3321704L00	36	58	NM6060001SE	54	55	SM6061610SC	44	47
B3321704L00	48	32	NM6080600SM	46	72	SM6061610SC	48	36
B3321704L00	54	58	NM6160511SE	46	57	SM6061610SC	52	33
B3321704L0B	36	53	R4200J6ED0A	2	2	SM9083013SC	46	70
B3321704L0B	50	56	R4200J6FD00	4	13	SM9084533SC	46	73
B3321704L0B	54	53	R4205J6EE00	16	2	SS6060340SP	44	13
MAL121000A0	8	11	R4206J6EE00	10	2	SS6090670TP	44	14
MAM0770M0A0	46	74	R4300J6EE00	4	2	SS7080520SP	20	18
MAO11532000	34	30	R4300J6FE0B	6	2	SS7091110TP	12	24

NUMERICAL INDEX OF PARTS

PART NO	PAGE	REF NO.
SS7091110TP	14	22
SS7091110TP	18	6
SS7110510SP	46	75
SS7110540SP	34	40
SS7110540SP	48	43
SS7110540SP	52	40
SS7110840SP	46	67
SS8080310TP	34	8
SS8080310TP	44	2
SS8080310TP	48	23
SS8080310TP	52	8
WP0371016SD	12	26
WP0371016SD	14	23
WP0371016SD	18	5
WP0371016SD	20	9
WP0850002SC	46	71
WP1612616SE	36	57
WP1612616SE	46	55
WP1612616SE	50	60
WP1612616SE	54	57
WS0510002KN	46	65
WS1643202KR	46	56