

MODEL : MO-6714 SUBCLASSES

List No : 1322-00

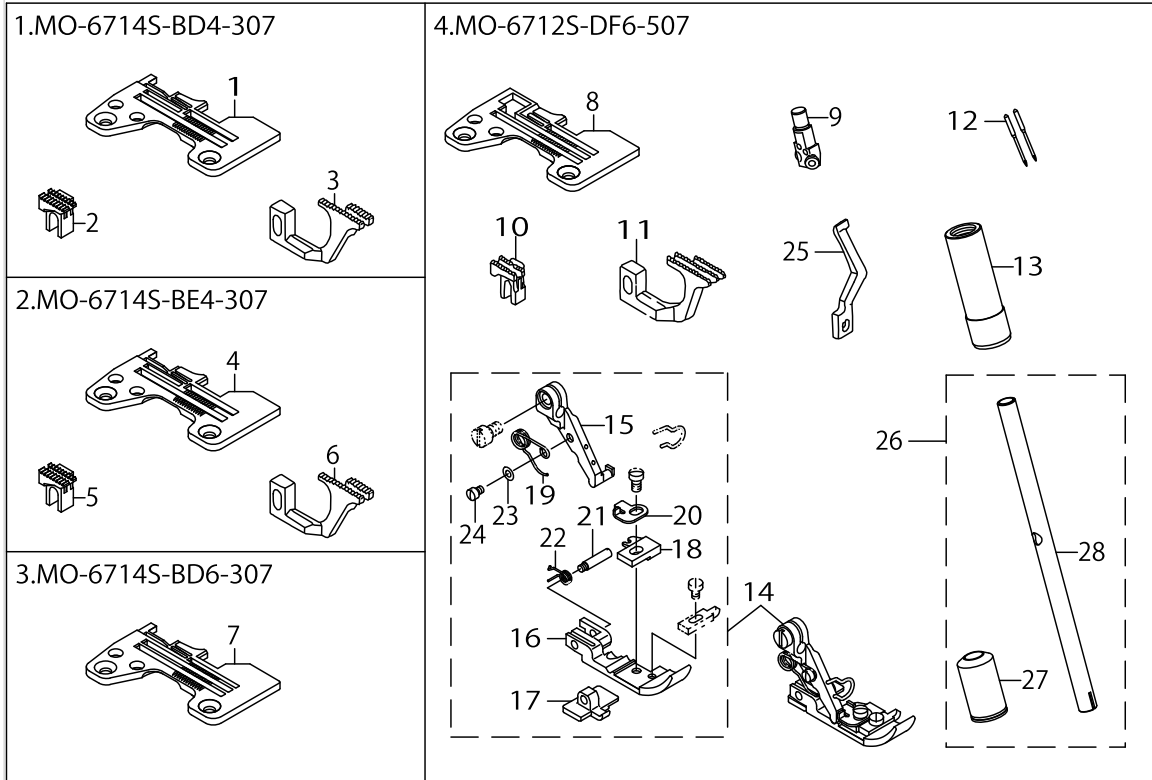
PARTS LIST

Published:09/10/2017

CONTENTS

MO-6712S, MO-6714S SUBCLASSES (1)	1
MO-6712S, MO-6714S SUBCLASSES (2)	3
MO-6712S, MO-6714S SUBCLASSES (3)	5
HOW TO MAKE USE OF THIS PARTS LIST	7

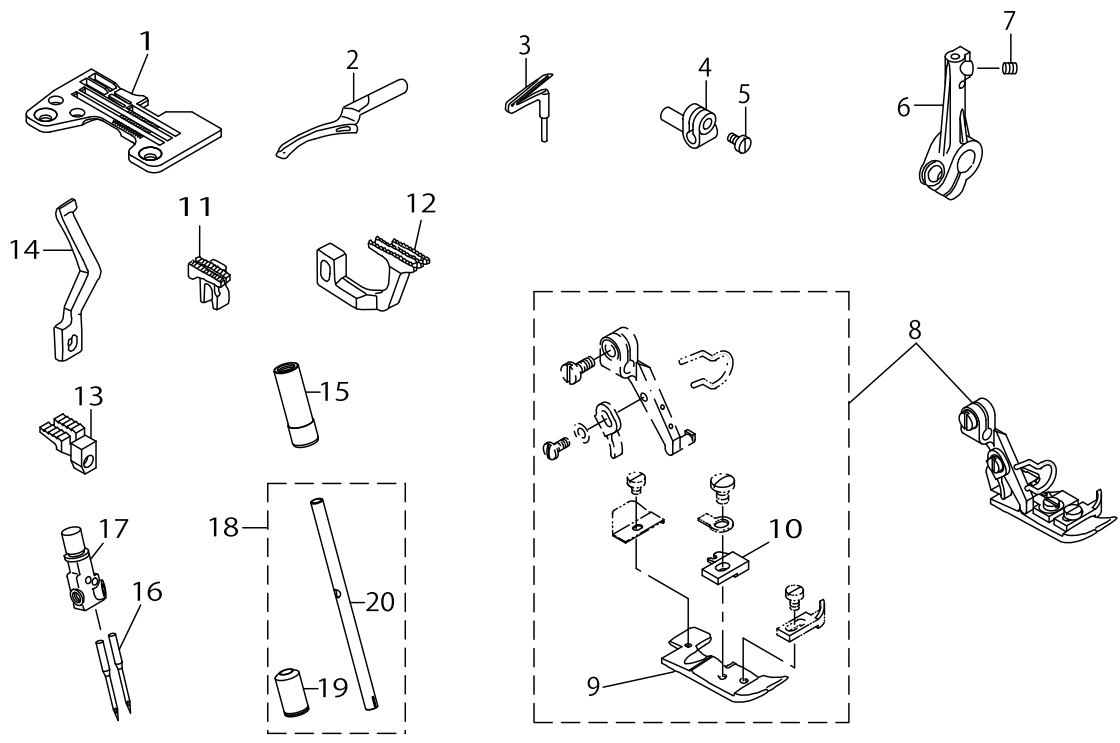
MO-6712S, MO-6714S SUBCLASSES (1)



MO-6712S, MO-6714S SUBCLASSES (1)

No.	Parts No.	Parts name	Remarks	Level	Cons	Qty
1	R4205J6DE00	THROAT PLATE				1
2	11597101	MAIN FEED DOG				1
3	B1657814B0E	DIFFERENTIAL FEED DOG				1
4	R4205J6EE00	THROAT PLATE				1
5	11597101	MAIN FEED DOG				1
6	B1657814B0E	DIFFERENTIAL FEED DOG				1
7	R4305J6DE00	THROAT PLATE				1
8	R4308J6FE0A	THROAT PLATE				1
9	12149407	NEEDLE CLAMP, 2-NEEDLE				1
10	11984309	MAIN FEED DOG				1
11	11980604	DIFFERENTIAL FEED DOG				1
12	MDC270B1400	NEEDLE DCX27 #14				2
13	13207600	NEEDLE HOLDER BUSHING,UPPER				1
14	11983863	PRESSER FOOT ASM				1
15	11984002	PRESSER HINGE		*		1
16	11983806	CLOTH PRESSER		*		1
17	11983905	REAR PRESSER FOOT		*		1
18	11790607	STITCH TONGUE		*		1
19	11984200	PRESSER SPRING		*		1
20	11984101	SPRING		*		1
21	11930807	HINGE PIN		*		1
22	11931706	SPRING		*		1
23	WP0371026SD	WASHER 3.7X7X1		*		1
24	SS7080520SP	SCREW 1/8-44 L=4.9		*		1
25	11890407	NEEDLE GUARD				1
26	13210059	NEEDLE HOLDER (B),ASM.				1
27	13207709	NEEDLE HOLDER BUSHING,LOWER		*		1
28	13210000	NEEDLE HOLDER (B)		*		1

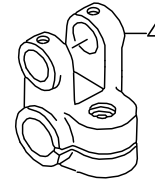
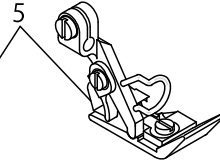
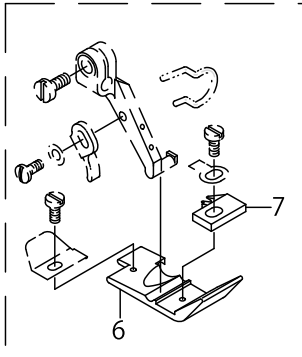
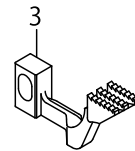
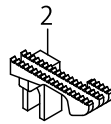
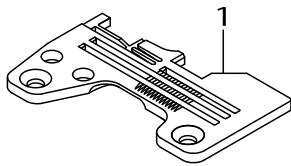
5.MO-6712S-DF6-50F



MO-6712S, MO-6714S SUBCLASSES (2)

No.	Parts No.	Parts name	Remarks	Level	Cons	Qty
1	R4308J0FE0B	THROAT PLATE				1
2	11996600	UPPER LOOPER				1
3	11995206	LOWER LOOPER				1
4	11544707	UPPER LOOPER SUPPORT ARM				1
5	SS6080410SP	SCREW 1/8-44 L=4				1
6	12123709	LOWER LOOPER SUPPORT ARM				1
7	SS8110422TP	SCREW 11/64-40 L=4				1
8	11877164	PRESSER FOOT ASM.				1
9	11790508	PRESSER FOOT		*		1
10	11790607	STITCH TONGUE		*		1
11	11882503	MAIN FEED DOG				1
12	11790706	DIFFERENTIAL FEED DOG				1
13	11987005	AUXILIARY FEED DOG				1
14	11890407	NEEDLE GUARD				1
15	13207600	NEEDLE HOLDER BUSHING,UPPER				1
16	MDC270B1400	NEEDLE DCX27 #14				2
17	12149407	NEEDLE CLAMP, 2-NEEDLE				1
18	13210059	NEEDLE HOLDER(B) ASM.				1
19	13207709	NEEDLE HOLDER BUSHING,LOWER		*		1
20	13210000	NEEDLE HOLDER(B)		*		1

6.MO-6714S-BE6-327



MO-6712S, MO-6714S SUBCLASSES (3)

No.	Parts No.	Parts name	Remarks	Level	Cons	Qty
1	R4305JOEE0A	THROAT PLATE				1
2	11883402	MAIN FEED DOG				1
3	12171807	DIFFERENTIAL FEED DOG				1
4	12119210	FORKED CRANK				1
5	11879368	PRESSER FOOT ASM.				1
6	11974102	PRESSER FOOT		*		1
7	B150981400P	STITCH TONGUE		*		1

HOW TO MAKE USE OF THIS PARTS LIST

1.As to "#01" and "#02" refer to the "Note" given at the bottom of the respective pages.

2.Codes on the "Qty" column

- Each numeral indicates the number of parts required.
- "0.1" and "2.5" indicate the length (in meters) of the respective parts.

3.Parentheses mean that the corresponding part is a subpart that constructs an assembly part.

4.Dotted lines on the Figures indicate assembly parts.

1. リストページの# 0 1、# 0 2の印は、ページ下の"注記"の説明を参照下さい。
2. 数量欄の数字は、個数を表し、0. 1、2. 5等の数値は、長さ（単位メートル）を表します。
3. 数量欄の（ ）は、組部品を構成している子部品であることを意味します。
4. イラストページの-----枠は、組構成であることを意味します。

NUMERICAL INDEX OF PARTS

PART NO	PAGE	REF NO.	PART NO	PAGE	REF NO.
11544707	4	4	R4305J0EE0A	6	1
11597101	2	5	R4305J6DE00	2	7
11790508	4	9	R4308J0FE0B	4	1
11790607	2	18	R4308J6FE0A	2	8
11790607	4	10	SS6080410SP	4	5
11790706	4	12	SS7080520SP	2	24
11877164	4	8	SS8110422TP	4	7
11879368	6	5	WP0371026SD	2	23
11882503	4	11			
11883402	6	2			
11890407	2	25			
11890407	4	14			
11930807	2	21			
11931706	2	22			
11974102	6	6			
11980604	2	11			
11983806	2	16			
11983863	2	14			
11983905	2	17			
11984002	2	15			
11984101	2	20			
11984200	2	19			
11984309	2	10			
11987005	4	13			
11995206	4	3			
11996600	4	2			
12119210	6	4			
12123709	4	6			
12149407	2	9			
12149407	4	17			
12171807	6	3			
13207600	2	13			
13207600	4	15			
13207709	2	27			
13207709	4	19			
13210000	2	28			
13210000	4	20			
13210059	2	26			
13210059	4	18			
B150981400P	6	7			
B1657814B0E	2	6			
MDC270B1400	2	12			
MDC270B1400	4	16			
R4205J6DE00	2	1			
R4205J6EE00	2	4			