

MODEL : MO-6916 SUBCLASSES

List No : 1318-01

PARTS LIST

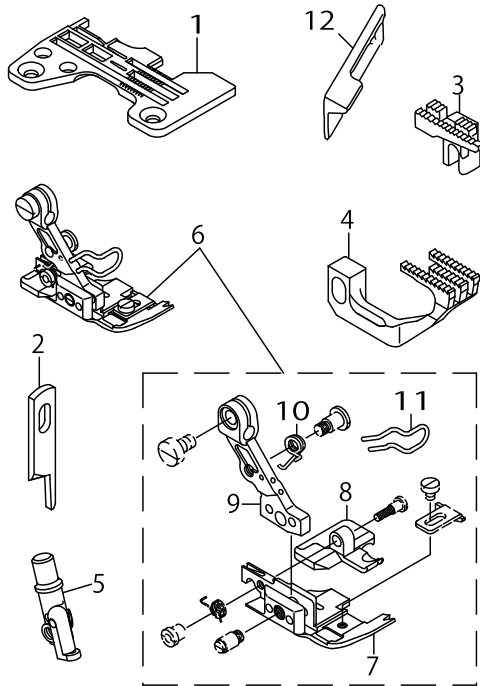
Published:09/10/2017

CONTENTS

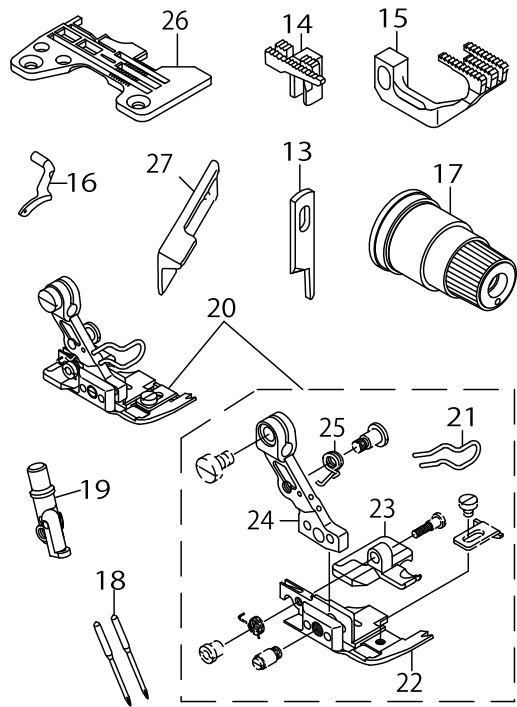
MO-6916S, MO-6945S SUBCLASSES (1) & (2).....	1
HOW TO MAKE USE OF THIS PARTS LIST	5

MO-6916S, MO-6945S SUBCLASSES (1) & (2)

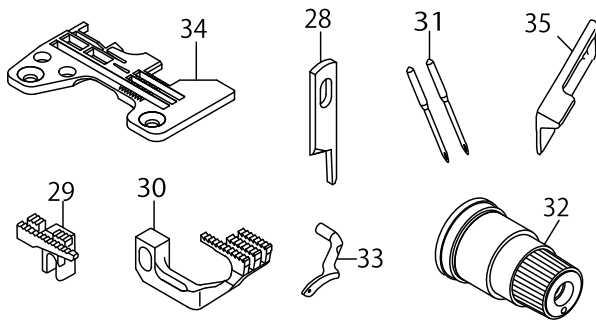
1.MO-6916S-FF6-300



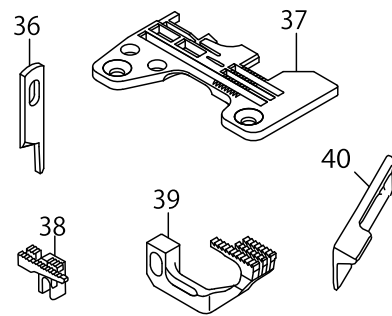
2.MO-6916S-FF6-500



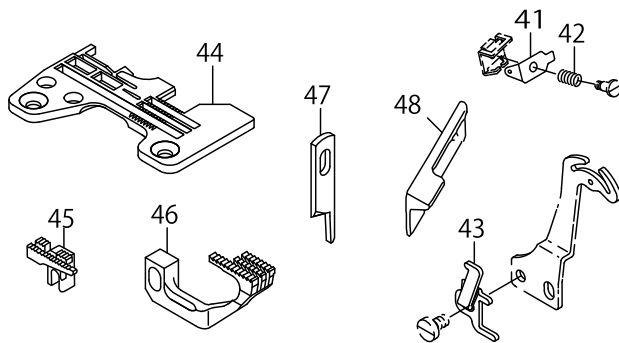
3.MO-6916S-DD6-500



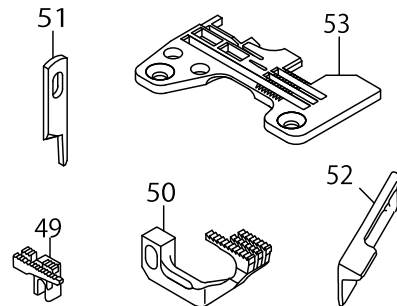
4.MO-6916S-DD6-300



5.MO-6916S-DD6-3F0



6.MO-6916S-DE6-300

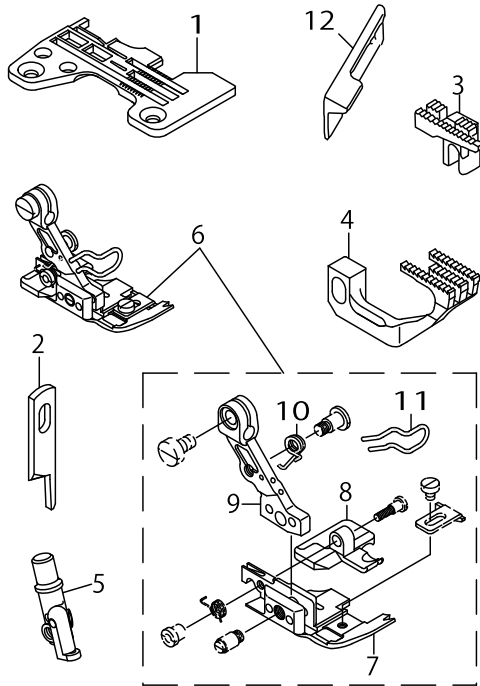


MO-6916S, MO-6945S SUBCLASSES (1) & (2)

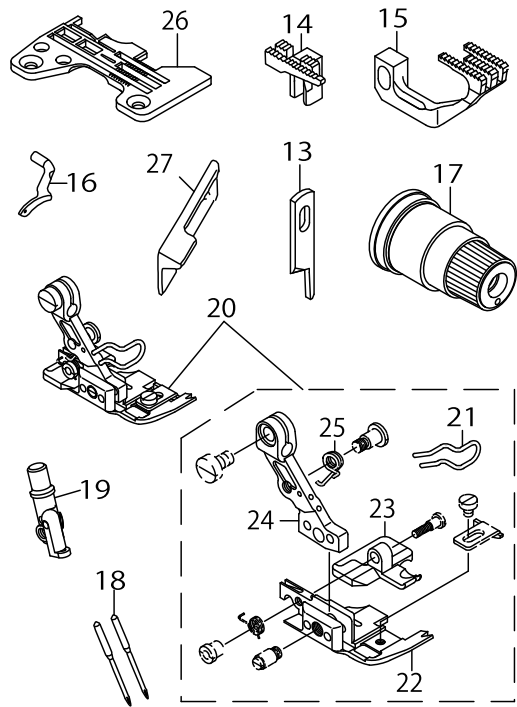
No.	Parts No.	Parts name	Remarks	Level	Cons	Qty
1	R4612J6FD00	THROAT PLATE				1
2	13150503	KNIFE	EXCEPT JE			1
3	11884004	MAIN FEED DOG				1
4	12173308	DIFFERENTIAL FEED DOG				1
5	12257507	NEEDLE CLAMP, CHAIN LOOPER				1
6	12154266	PRESSER FOOT ASM.				1
7	12162707	PRESSER FOOT		*		1
8	12165304	REAR PRESSER FOOT		*		1
9	12157004	PRESSER FOOT HINGE		*		1
10	12168001	PRESSER FOOT ARM SPRING, (B)		*		1
11	12168209	FINGER GUARD		*		1
12	11845807	UPPER KNIFE	FOR JE			1
13	13150503	KNIFE	EXCEPT JE			1
14	11883006	MAIN FEED DOG				1
15	12173506	DIFFERENTIAL FEED DOG				1
16	11999208	UPPER LOOPER				1
17	13137559	TENSION SPRING UNION (RED)				1
18	MDC270B1600	NEEDLE DCX27 #16				2
19	12257507	NEEDLE CLAMP, CHAIN LOOPER				1
20	12154266	PRESSER FOOT ASM.				1
21	12168209	FINGER GUARD		*		1
22	12162707	PRESSER FOOT		*		1
23	12165304	REAR PRESSER FOOT		*		1
24	12157004	PRESSER FOOT HINGE		*		1
25	12168001	PRESSER FOOT ARM SPRING, (B)		*		1
26	R4612J6FG00	THROAT PLATE				1
27	11845807	UPPER KNIFE	FOR JE			1
28	13150503	KNIFE	EXCEPT JE			1
29	11980802	MAIN FEED DOG				1
30	12173902	DIFFERENTIAL FEED DOG				1
31	MDC270B1600	NEEDLE DCX27 #16				2
32	13137559	TENSION SPRING JUNCTION				1
33	11999208	UPPER LOOPER				1
34	R4608J6DF00	THROAT PLATE				1
35	11845807	UPPER KNIFE	FOR JE			1
36	13150503	KNIFE	EXCEPT JE			1
37	R4608J6DD00	THROAT PLATE				1
38	11882909	MAIN FEED DOG				1
39	12173209	DIFFERENTIAL FEED DOG				1
40	11845807	UPPER KNIFE	FOR JE			1
41	12112504	NEEDLE THREAD PRESSER PLATE C				1
42	12112702	NEEDLE THREAD PRESSER SPRING B				1
43	12112603	DIFFERENTIAL FEED CAM				1
44	R4608J6DD00	THROAT PLATE				1
45	11882909	MAIN FEED DOG				1
46	12173209	DIFFERENTIAL FEED DOG				1
47	13150503	KNIFE				1

MO-6916S, MO-6945S SUBCLASSES (1) & (2)

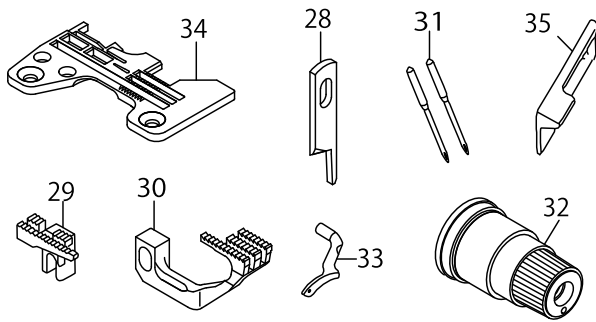
1.MO-6916S-FF6-300



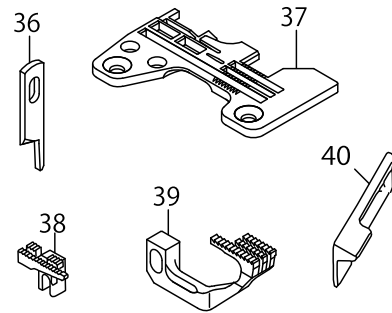
2.MO-6916S-FF6-500



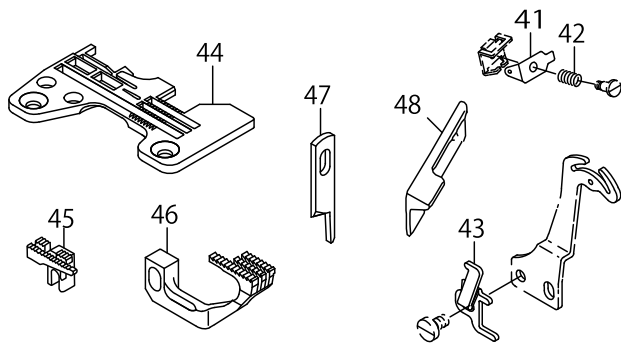
3.MO-6916S-DD6-500



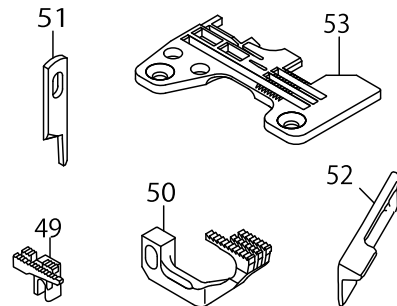
4.MO-6916S-DD6-300



5.MO-6916S-DD6-3F0



6.MO-6916S-DE6-300



MO-6916S, MO-6945S SUBCLASSES (1) & (2)

No.	Parts No.	Parts name	Remarks	Level	Cons	Qty
48	11845807	UPPER KNIFE	FOR JE			1
49	11882909	MAIN FEED DOG				1
50	12173209	DIFFERENTIAL FEED DOG				1
51	13150503	KNIFE	EXCEPT JE			1
52	11845807	UPPER KNIFE	FOR JE			1
53	R4608J6ED00	THROAT PLATE				1

HOW TO MAKE USE OF THIS PARTS LIST

1.As to "#01" and "#02" refer to the "Note" given at the bottom of the respective pages.

2.Codes on the "Qty" column

- Each numeral indicates the number of parts required.
- "0.1" and "2.5" indicate the length (in meters) of the respective parts.

3.Parentheses mean that the corresponding part is a subpart that constructs an assembly part.

4.Dotted lines on the Figures indicate assembly parts.

1. リストページの# 0 1、# 0 2の印は、ページ下の"注記"の説明を参照下さい。
2. 数量欄の数字は、個数を表し、0. 1、2. 5等の数値は、長さ（単位メートル）を表します。
3. 数量欄の（ ）は、組部品を構成している子部品であることを意味します。
4. イラストページの-----枠は、組構成であることを意味します。

NUMERICAL INDEX OF PARTS

PART NO	PAGE	REF NO.
11845807	2	52
11845807	4	52
11882909	2	49
11882909	4	49
11883006	2	14
11884004	2	3
11980802	2	29
11999208	2	33
12112504	2	41
12112603	2	43
12112702	2	42
12154266	2	20
12157004	2	24
12162707	2	22
12165304	2	23
12168001	2	25
12168209	2	21
12173209	2	50
12173209	4	50
12173308	2	4
12173506	2	15
12173902	2	30
12257507	2	19
13137559	2	32
13150503	2	51
13150503	4	51
MDC270B1600	2	31
R4608J6DD00	2	44
R4608J6DF00	2	34
R4608J6ED00	4	53
R4612J6FD00	2	1
R4612J6FG00	2	26