

MODEL : LS-1342/LS-1342-7

List No : 1314-11

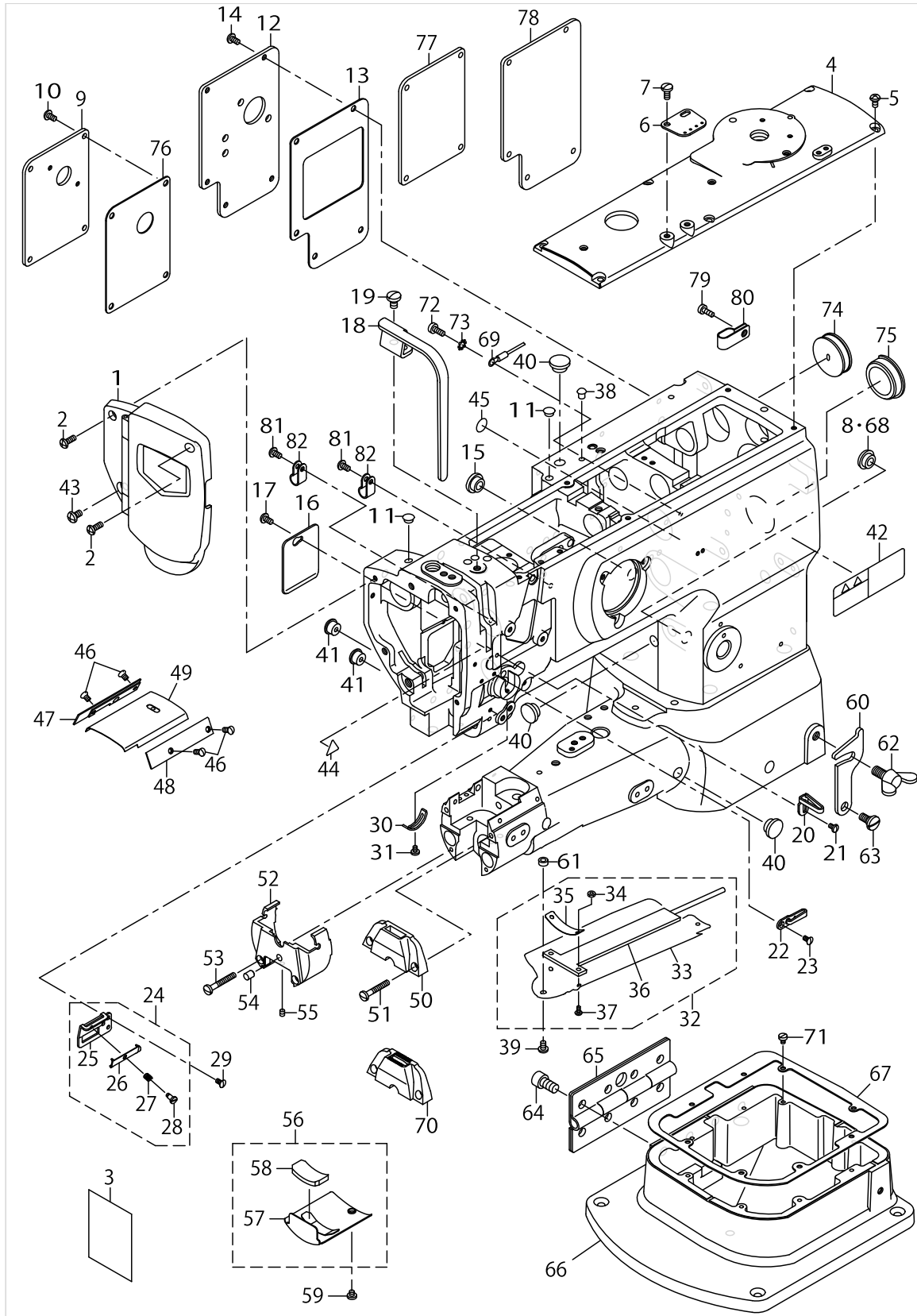
PARTS LIST

Published:11/30/2017

CONTENTS

FRAME & MISCELLANEOUS COVER COMPONENTS	1
UPPER SHAFT DRIVING & BALANCE COMPONENTS	5
NEEDLE BAR ROCKING COMPONENTS	7
PRESSURE ADJUSTING & UPPER FEED MECHANISM COMPONENTS.....	9
FEED MECHANISM COMPONENTS.....	15
HOOK SHAFT & LOWER SHAFT COMPONENTS	19
THREAD TRIMMER COMPONENTS (FOR LS-1342-7)	23
AUTOMATIC BACK COMPONENTS (FOR LS-1342-7).....	25
CONTROL DEVICE COMPONENTS (FOR LS-1342-7).....	27
THREAD RELEASE COMPONENTS (FOR LS-1342-7).....	29
DL DEVICE COMPONENTS (FOR LS-1342-7).....	31
AUTOMATIC HAND LIFTER (OPTION) COMPONENTS (FOR LS-1342-7).....	33
THREAD TENSION COMPONENTS	35
LOWER THREAD WINDER MECHANISM COMPONENTS	37
KNEE LIFTER COMPONENTS.....	39
LUBRICATION COMPONENTS	41
BELT COVER & OIL RESERVOIR COMPONENTS.....	43
THREAD STAND COMPONENTS.....	45
OPTION & GAUGE COMPONENTS	47
ACCESSORIES PARTS COMPONENTS	49
LIST FOR INFORMATION OF CHANGE.....	51
HOW TO MAKE USE OF THIS PARTS LIST	52

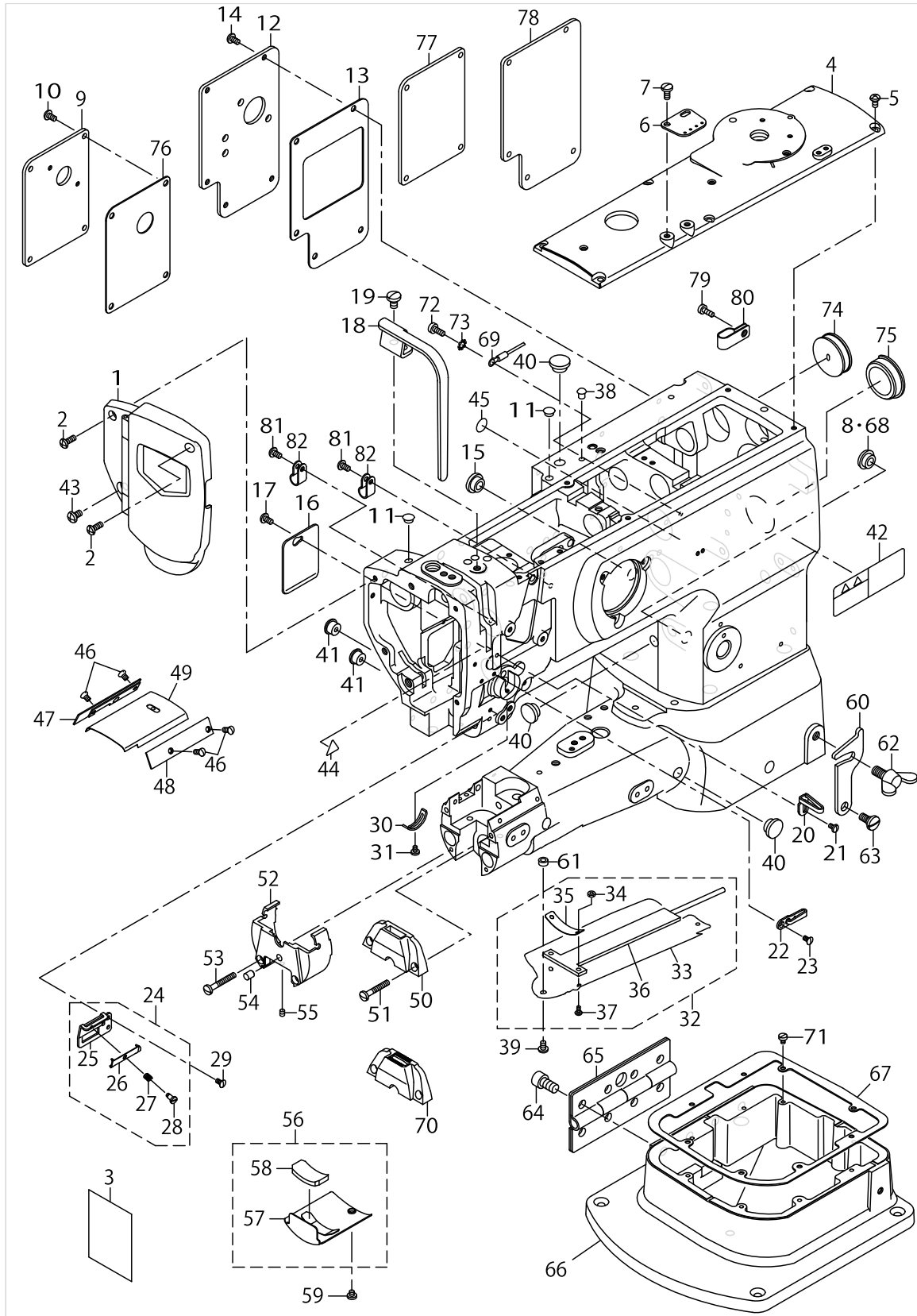
FRAME & MISCELLANEOUS COVER COMPONENTS



FRAME & MISCELLANEOUS COVER COMPONENTS

No.	Parts No.	Parts name	Remarks	Level	Cons	Qty
1	40016798	FACE PLATE ASM.				1
2	SS4111215SP	SCREW 11/64-40 L=12				2
3	40152631	LUBRICATION SUPPLEMENT				1
4	21331301	TOP COVER B				1
5	SS4110815SP	SCREW 11/64-40 L=8				6
6	21355904	ARM THREAD GUIDE				1
7	SS7621040SP	SCREW 3/16-32 L=9.5				2
8	10622009	COAD BUSH	FOR LS-1342-7			1
9	21437207	WINDOW PLATE F	FOR LS-1342-7			1
10	SS4110815SP	SCREW 11/64-40 L=8				4
11	TA0750404R0	PLUG D=7.5 L=3.5				2
12	21348909	WIDOW PLATE D	FOR LS-1342-7			1
13	21332002	WINDOW PLATE PACKING B				1
14	SS4110815SP	SCREW 11/64-40 L=8				5
15	TA1250504R0	RUBBER PLUG				2
16	21332309	SIDE COVER				1
17	SS4110815SP	SCREW 11/64-40 L=8				1
18	21331608	BALANCE COVER				1
19	SS7150910TP	SCREW 15/64-28 L=9				1
20	40108674	THREAD GUIDE				1
21	SS5090610SP	SCREW 9/64-40 L=6				1
22	22603112	THREAD GUIDE				1
23	SS2090710TP	SCREW 9/64-40 L=7.2				1
24	40039838	THREAD GUIDE ASM.				1
25	40039839	THREAD GUIDE PLATE		*		1
26	17912106	NEEDLE THREAD PRESSER PLATE		*		1
27	B1132521000	THREAD PRESSER PLATE SPRING		*		1
28	SD0380551SL	HINGE SCREW D=3.80 H=5.5		*		1
29	SS2090710TP	SCREW 9/64-40 L=7.2				1
30	B3138512000	TAKE-UP SPRING ADJUSTING PLATE				1
31	SS7090520TP	SCREW 9/64-40 L=4.5				1
32	21426754	SYLINDER COVER ASM.				1
33	21426705	SYLINDER COVER		*		1
34	NM6030003SC	NUT M3		*		2
35	21426903	FELT PRESSER PLATE		*		1
36	21426853	SYLINDER COVER FELT ASM.		*		1
37	SM4030601SC	SCREW M3X6		*		2
38	TA0550604R0	RUBBER PLUG				1
39	SS5110710SP	SCREW 11/64-40 L=7				1
40	TA1250504R0	RUBBER PLUG				3
41	TA1100604R0	PLUG				2
42	CM301300001	SAFETY LABEL				1
43	SS4150915SP	SCREW 15/64-28 L=9				1
44	CM300200001	ATTENTION SEAL				1
45	22901805	GROUND MARK				1
46	SS2090520SL	SCREW 9/64-40 L=5				4
47	21426606	BED SLIDE SIDE PLATE LEFT				1

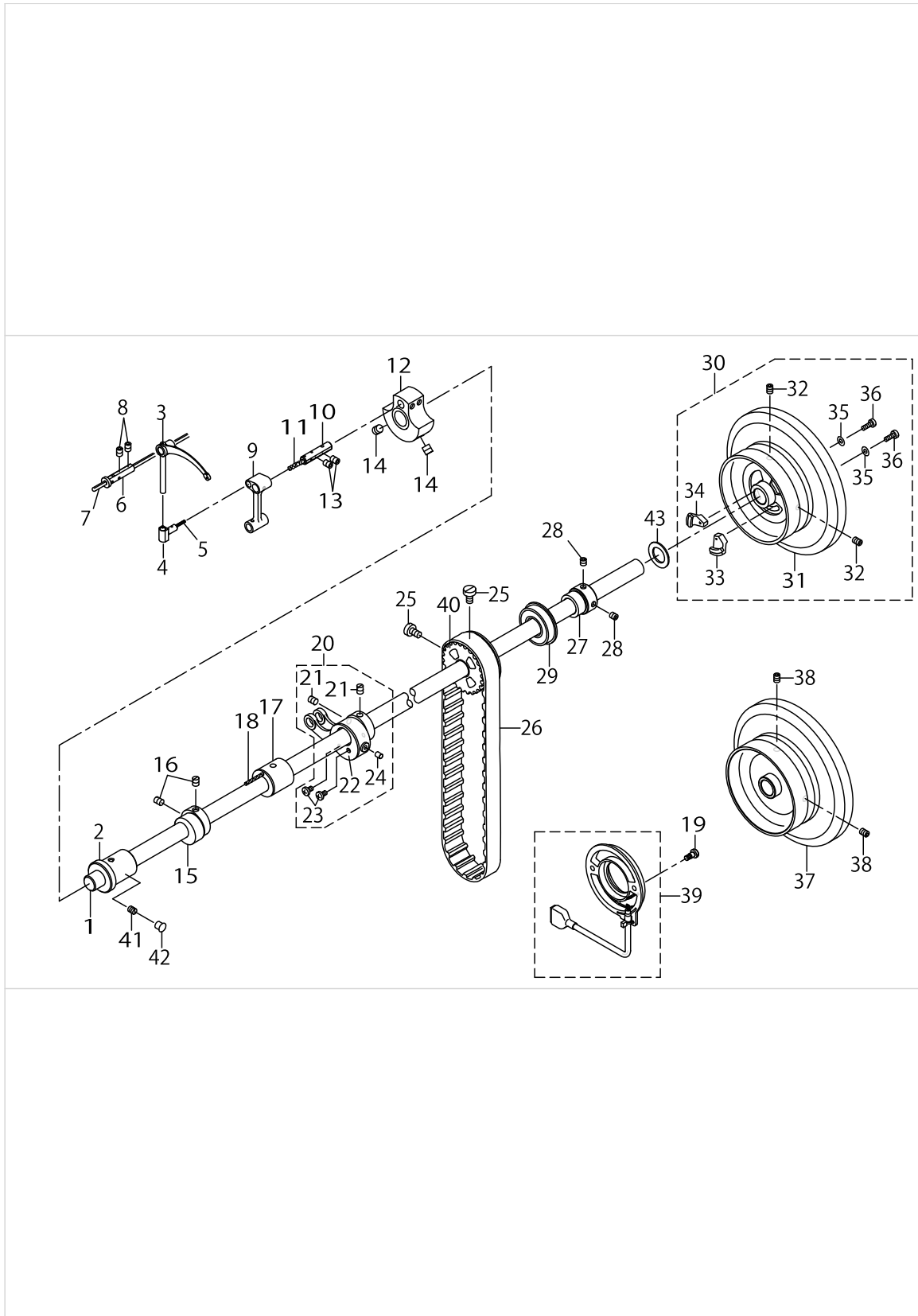
FRAME & MISCELLANEOUS COVER COMPONENTS



FRAME & MISCELLANEOUS COVER COMPONENTS

No.	Parts No.	Parts name	Remarks	Level	Cons	Qty
48	23100506	BED SLIDE SIDE PLATE RIGHT				1
49	21220413	BED PLATE				1
50	21437009	THROAT PLATE				1
51	SS7112810SP	SCREW 11/64-40 L=28				2
52	40090318	THROAT PLATE BASE				1
53	SS7113110SP	SCREW 1/64-40 L=30				2
54	40090323	FEED BASE SUPPORT				1
55	SM8040402TP	SCREW M4X0.7 L=4				1
56	40094671	THROAT PLATE BASE COVER ASM.				1
57	40094670	THROAT PLATE BASE COVER COMPL.		*		1
58	40095001	THROAT PLATE BASE COVER FELT		*		1
59	SS7110410SP	SCREW 11/64-40 L=4				1
60	B1117246000	HOOK				1
61	B3013141H0B	WASHER				1
62	B1116246000	WING BOLT				1
63	SD0800352SP	HINGE SCREW D=8 H=3.5				1
64	SM6081552TP	SCREW M8 L=20				8
65	21426507	HINGE				1
66	21426309	BED HOLDING BASE				1
67	21426408	BED HOLDING BASE PACKING				1
68	TA1250504R0	RUBBER PLUG	FOR LS-1342			1
69	22951552	GROUND WIRE ASM.	FOR LS-1342-7			1
70	21437405	THROAT PLATE	OPTIONAL PARTS			1
71	SS6090520SP	SCREW 9/64-40 L=5.0				8
72	SS6111140SP	SCREW 11/64-40 L=11				1
73	WT0530002KS	TOOTHED WASHER D=5.3				1
74	10201200	RUBBER PLUG				1
75	22619100	CAP				1
76	21437306	WINDOW PLATE E PACKING				1
77	21437108	WINDOW PLATE E	FOR LS-1342			1
78	21331806	WINDOW PLATE B	FOR LS-1342			1
79	SS6111140SP	SCREW 11/64-40 L=11				1
80	D2112555B00	CORD HOLDER LARGE				1
81	SS4110815SP	SCREW 11/64-40 L=8	FOR LS-1342-7			2
82	HX00123000A	CABLE CLIP	FOR LS-1342-7			3

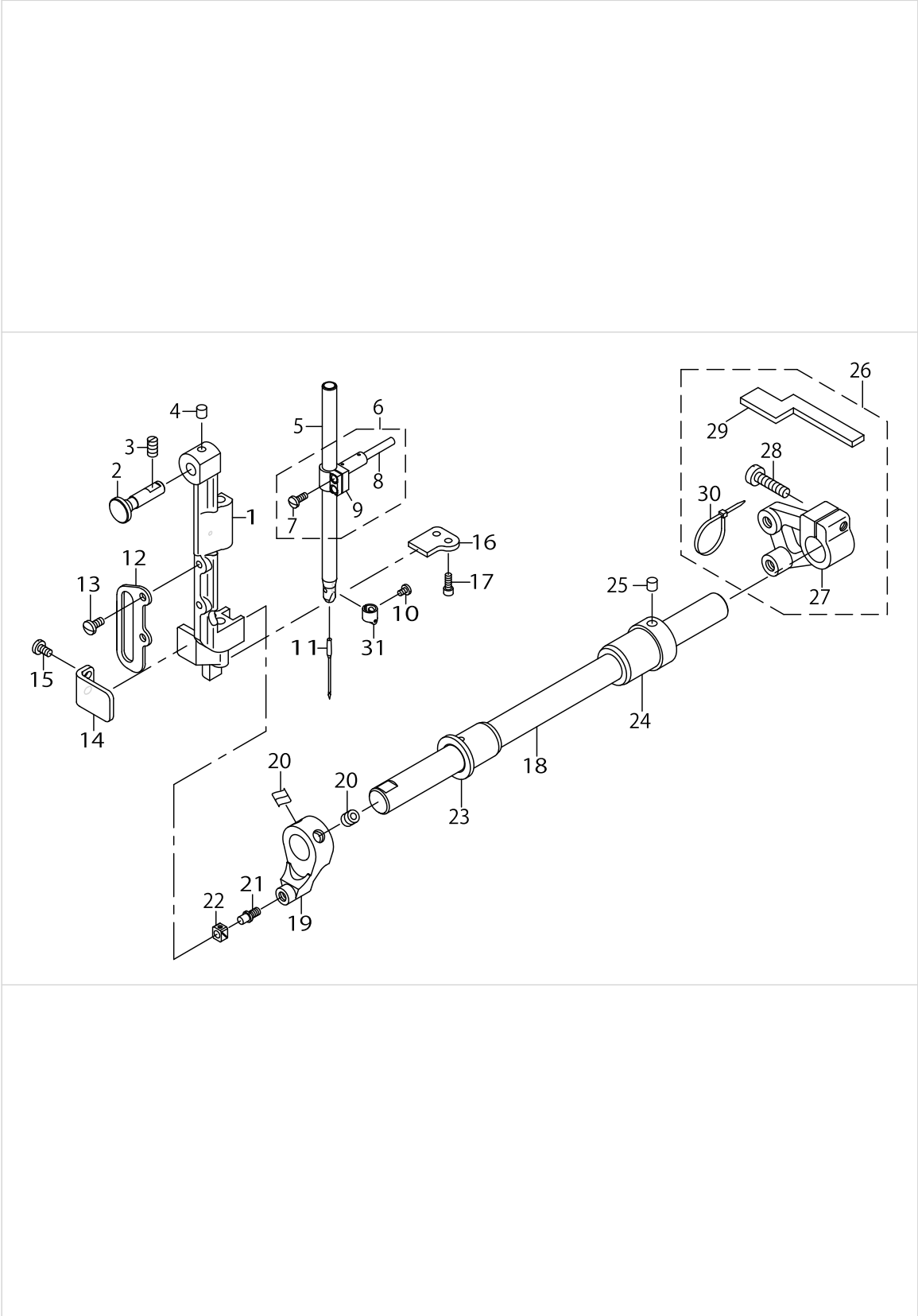
UPPER SHAFT DRIVING & BALANCE COMPONENTS



UPPER SHAFT DRIVING & BALANCE COMPONENTS

No.	Parts No.	Parts name	Remarks	Level	Cons	Qty
1	21332705	UPPER SHAFT				1
2	21333000	UPPER SHAFT FRONT METAL				1
3	21402102	THREAD TAKE-UP LEVER				1
4	22605406	TAKE-UP LEVER THRUST PIN				1
5	CQ202000000	OIL WICK				0.03
6	B1906051000	TAKE-UP LEVER PIN				1
7	CQ303000000	OIL WICK				0.2
8	SS8150822TP	SCREW 15/64-28 L=8				2
9	21339106	NEEDLE BAR CRANK ROD				1
10	B1210051000	NEEDLE BAR CRANK PIN				1
11	CQ505000000	OIL WICK				0.03
12	21332507	COUNTER WEIGHT (A)(36MM)				1
13	SS8150822TP	SCREW 15/64-28 L=8				2
14	SM8080812TP	SCREW M8X8				2
15	21339502	UPPER FEED CAM (3.5)				1
16	SS8660810TP	SCREW 1/4-40 L=8				2
17	21333109	UPPER SHAFT INNER METAL				1
18	CQ202000000	OIL WICK				0.25
19	10604809	SCREW	FOR LS-1342-7			2
20	40197296	HORIZONTAL_FEED_ROD_ASM				1
21	SS8660810TP	SCREW 1/4-40 L=8		*		2
22	21353008	HORIZONTAL FEED CAM COVER		*		1
23	SS7110710SP	SCREW 11/64-40 L=7		*		2
24	21387402	FELT		*		1
25	SS6661110SP	SCREW 1/4-40 L=11				2
26	21427109	TIMING BELT				1
27	21402300	UPPER SHAFT BEARING HOOK				1
28	SM8060602TP	SCREW M6X6				2
29	B1203512000	BUSHING REAR				1
30	21427059	FLYWHEEL ASM.	FOR LS-1342-7			1
31	21427000	FLYWHEEL		*		1
32	SS8150822TP	SCREW 15/64-28 L=8		*		2
33	M40071100AA	MAGNET FITTING BASE A ASM.		*		1
34	M40071100AB	MAGNET FITTING BASE B ASM.		*		1
35	WP0450801SD	WASHER 4.5X10X0.8		*		2
36	SS6111210SP	SCREW 11/64-40 L=12		*		2
37	21334008	FLYWHEEL	FOR LS-1342			1
38	SS8150822TP	SCREW 15/64-28 L=8	FOR LS-1342			2
39	40024855	CONTAIN SYNCHRO ASM.	FOR LS-1342-7			1
40	22604904	UPPER SPROCKET				1
41	SS8150710TP	SCREW 15/64-28 L=7				1
42	TA0750704R0	RUBBER PLUG				1
43	22606206	SPACER Y	FOR LS-1342-7			1

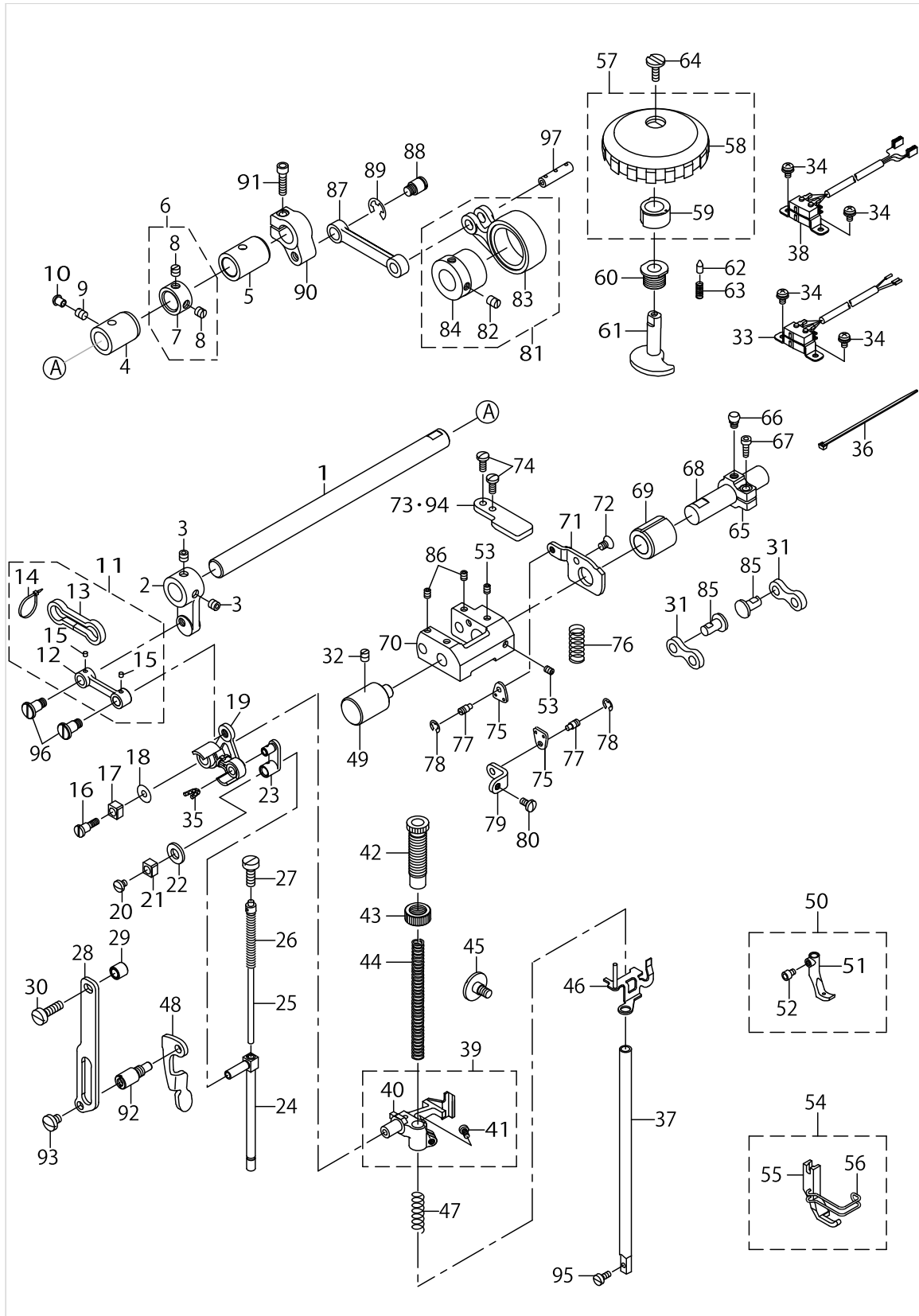
NEEDLE BAR ROCKING COMPONENTS



NEEDLE BAR ROCKING COMPONENTS

No.	Parts No.	Parts name	Remarks	Level	Cons	Qty
1	23002009	NEEDLE BAR FRAME				1
2	21405204	HINGE STUD				1
3	SS8151150TP	SCREW 15/64-28 L=10.5				1
4	22814909	FELT				1
5	B1401246000	NEEDLE BAR				1
6	B14110570A0	NEEDLE BAR CONNECTION				1
7	SS7090910SP	SCREW 9/64-40 L= 8.5		*		1
8	B1412051000	FELT		*		1
9	B1411057000	NEEDLE BAR CONNECTION		*		1
10	SS7080510TP	SCREW 1/8-44 L=4.5				1
11	M13517B1600	NEEDLE 135X17 #160				1
12	21438007	UPPER FEED BAR GUIDE				1
13	SS7110910TP	SCREW 11/64-40 L=8.5				2
14	21338702	ROCKING BASE GUIDE				1
15	SS7110830SP	SCREW 11/64-40 L=7.5				2
16	21338603	ROCKING BASE GUIDE (B)				1
17	SS6091022TP	SCREW				2
18	21338900	ROCKING SHAFT				1
19	21338801	ROCKING FRONT ARM				1
20	SM8080802TP	SCREW				2
21	B1410771000	STUD				1
22	B1414232000	SQUARE BLOCK				1
23	21339304	ROCKING SHAFT FRONT METAL				1
24	40027746	BUSHING REAR				1
25	22814909	FELT				1
26	21430053	ROCKING REAR ARM ASM.				1
27	21430004	ROCKING REAR ARM		*		1
28	SS6152440SP	SCREW 15/64-28 L=23.5		*		1
29	21430103	ROCKING REAR ARM FELT		*		1
30	EA9500B0100	CABLE BAND		*		2
31	B1418552A00	NEEDLE THREAD GUIDE A				1

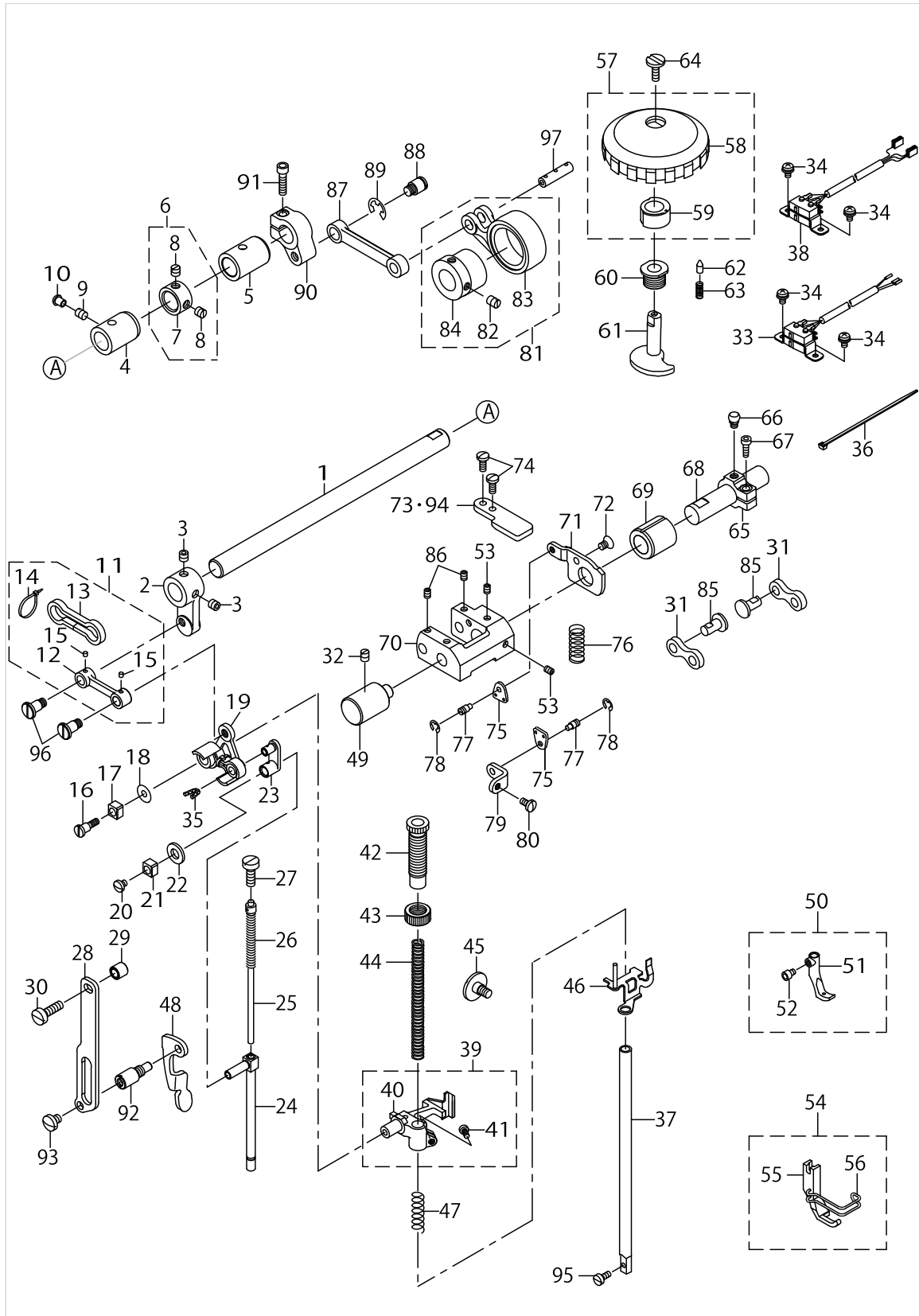
PRESSURE ADJUSTING & UPPER FEED MECHANISM COMPONENTS



PRESSURE ADJUSTING & UPPER FEED MECHANISM COMPONENTS

No.	Parts No.	Parts name	Remarks	Level	Cons	Qty
1	21340401	UPPER FEED SHAFT				1
2	21340500	UPPER FEED FRONT ARM				1
3	SS8660612TP	SCREW 1/4-40 L=6				2
4	40039326	FRONT METAL				1
5	21378302	FEED SHAFT METAL				1
6	22904155	MAIN SHAFT THRUST COLLAR ASM.				1
7	22904106	MAIN SHAFT THRUST COLLAR		*		1
8	SS8660610TP	SCREW 1/4-40 L=6		*		2
9	SS8150710SP	SCREW 15/64-28 L=7				1
10	TA0550604R0	RUBBER PLUG				1
11	40033027	UPPER FEED LINK ASM.				1
12	40033026	UPPER FEED LINK		*		1
13	21347109	FELT		*		1
14	EA9500B0000	CLIP CV-70S		*		2
15	CQ3000000F0	OIL FELT		*		2
16	40018339	SCREW				1
17	B1414555000	SLIDE BLOCK				1
18	WP0501046SC	WASHER 5X13X1				1
19	40033029	TRIANGULAR LEVER ASM.				1
20	SS7110510SP	SCREW 11/64-40 L=5				1
21	B1414555000	SLIDE BLOCK				1
22	10509701	FELT				1
23	40018341	WALKING BAR DRIVING LINK				1
24	40033033	WALKING BAR B				1
25	B14670530A0	WALKING BAR ASM.				1
26	B1468053000	WALKING BAR SPRING				1
27	SS6151780SP	SCREW 15/64-28 L=17.0				1
28	21406509	UPPER FEED GUIDE PLATE				1
29	26225201	ROLLER				1
30	SS6151920SP	SCREW 15/64-28 L=19.0				1
31	40107949	CONNECTION LINK B				2
32	SS8150710SP	SCREW 15/64-28 L=7				1
33	40024852	VERTICAL DETECTOR SWITCH ASM.	FOR LS-1342-7			1
34	SL4040881SC	SCREW M4 L=8				2
35	CQ252000000	OIL WICK				0.02
36	EA9500B0100	CABLE BAND				1
37	B1501141H00	PRESSER BAR				1
38	40049415	VERTICAL DETECTOR SWITCH ASM.	FOR LS-1342			1
39	40033032	PRESSER BAR HOLDER A ASM.				1
40	40033031	PRESSER BAR HOLDER A		*		1
41	SS7110910TP	SCREW 11/64-40 L=8.5		*		1
42	21340906	PRESSER ADJUSTING SCREW				1
43	22907604	PRESSER SPRING REGULATOR NUT				1
44	B1502246000	PRESSER SPRING				1
45	SD0800481SP	HINGE SCREW D=8 H=4.9				1
46	21341151	THREAD RELEASE HOLDING PLATE				1
47	B1462053000	THREAD RELEASE SPRING				1

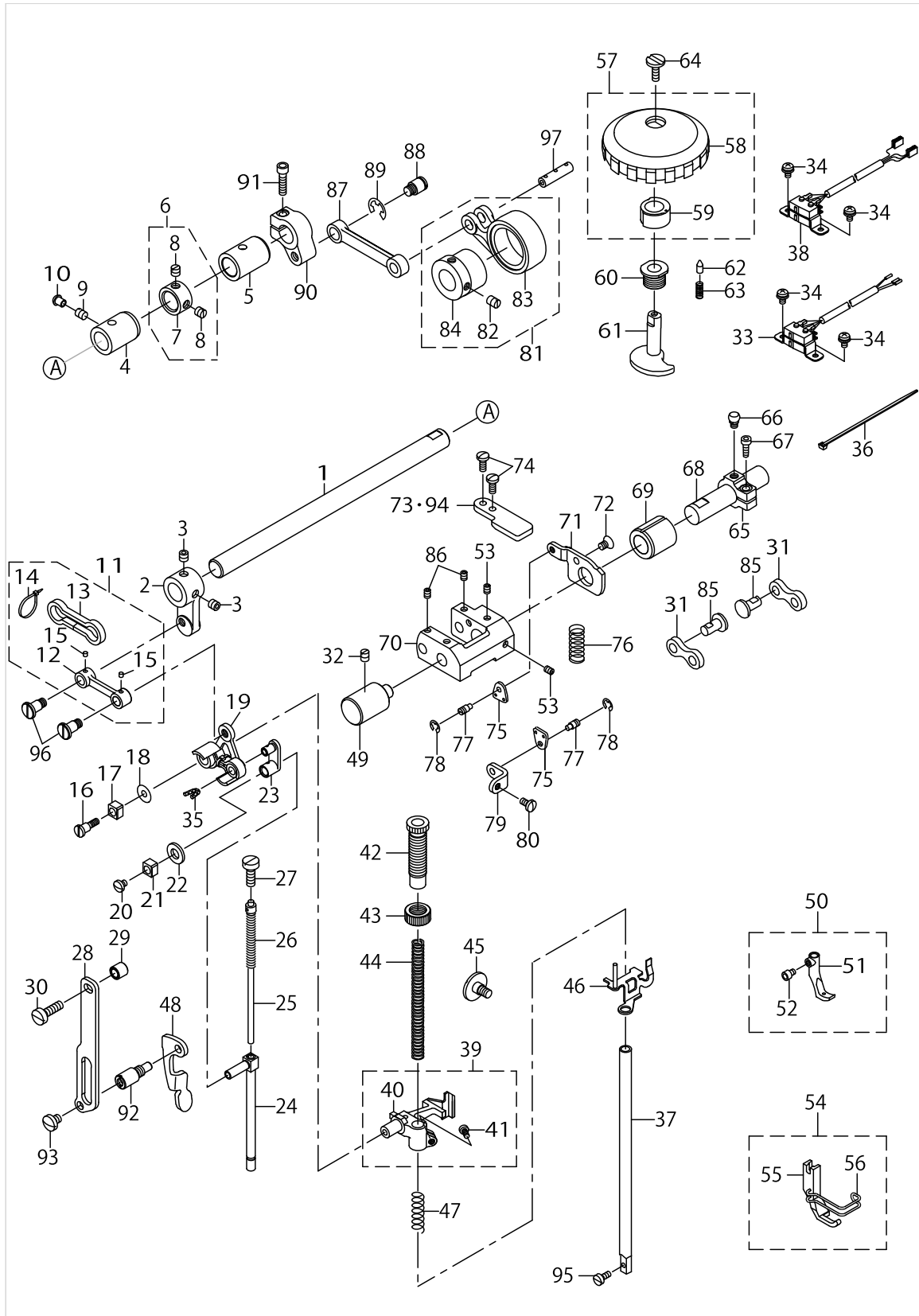
PRESSURE ADJUSTING & UPPER FEED MECHANISM COMPONENTS



PRESSURE ADJUSTING & UPPER FEED MECHANISM COMPONENTS

No.	Parts No.	Parts name	Remarks	Level	Cons	Qty
48	21406103	PRESSER LIFTER LEVER				1
49	21337803	FEED ADJUSTING BASE SUPPORT				1
50	21444559	PRESSER INNER FOOT ASM.				1
51	21444500	PRESSER INNER FOOT		*		1
52	SM6040552TP	SCREW M4 L=4.5		*		1
53	SM8050602TP	SCREW M5 L=6				2
54	21444658	PRESSER FOOT ASM.				1
55	21444609	PRESSER FOOT		*		1
56	21444708	FINGER GUARD		*		1
57	10774354	UPPER AND LOWER DIAL ASM.				1
58	10774305	VERTICAL DIAL		*		1
59	10774404	VERTICAL CAM		*		1
60	10715100	VERTICAL DIAL SHAFT BUSHING				1
61	40108542	VERTICAL ADJUSTING CAM				1
62	10715704	VERTICAL DIAL PIN				1
63	B152652700G	SPRING				1
64	SS6110630TP	SCREW 11/64-40 L=6				1
65	21341607	VERTICAL ADJUSTING ARM				1
66	10715308	PIN				1
67	SM6051402TP	SCREW M5X0.8 L=14				1
68	21341508	VERTICAL CHANGE BASE SHAFT				1
69	10718203	FEED SHAFT FRONT METAL				1
70	10714202	VERTICAL CHANGE BELT				1
71	21339601	UPPER FEED STOPPER PLATE (A)	FOR LS-1342			1
72	SM1050801SR	SCREW M5 L=8				1
73	21438205	UPPER FEED STOPPER PLATE	FOR LS-1342-7			1
74	SS7111120TP	SCREW				2
75	10713501	SPRING HOOK				2
76	10716504	VERTICAL SHAFT SPRING				1
77	B3416552000	CONNECTING ROD HINGE SCREW				2
78	RE0500000K0	E-RING				2
79	21339809	UPPER FEED DOG SPRING HOOK				1
80	SS7110830SP	SCREW 11/64-40 L=7.5				1
81	40075553	ECCENTRIC ROD(SET)				1
82	SS8660810TP	SCREW 1/4-40 L=8		*		2
83	10713758	UPPER FEED CAM ROD ASM.		*		1
84	10713600	UPPER FEED CUM		*		1
85	10714608	CONNECTION LINK B SUPPORT PIN				2
86	SM8050602TP	SCREW M5 L=6				2
87	21340005	UPPER FEED LINK (B)				1
88	21048707	HINGE SCREW				1
89	RE0800000K0	E-SHAPED SNAP RING (8MM)				1
90	21340302	UPPER FEED REAR ARM (B)				1
91	SM6052002TP	SCREW M5 L=20				1
92	21406608	GUIDE PLATE SPACER				1
93	SS7150740SP	SCREW 15/64-28 L=7				1
94	21339700	UPPER FEED STOPPER PLATE (B)	FOR LS-1342			1

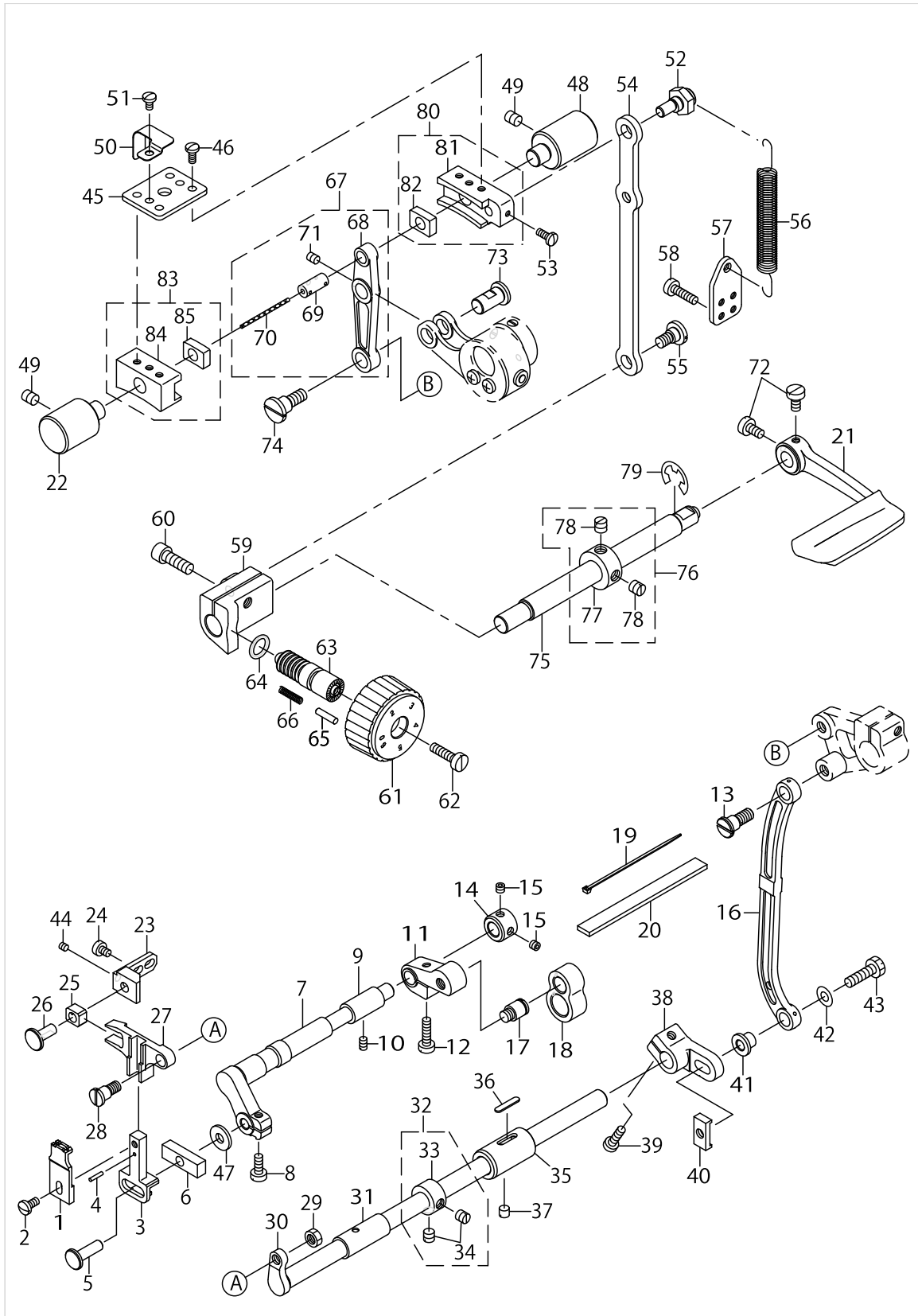
PRESSURE ADJUSTING & UPPER FEED MECHANISM COMPONENTS



PRESSURE ADJUSTING & UPPER FEED MECHANISM COMPONENTS

No.	Parts No.	Parts name	Remarks	Level	Cons	Qty
95	SS7091110TP	SCREW 9/64-40 L=10.5				1
96	40018340	SCREW				2
97	10713808	CONNECTION LINK PIN B				1

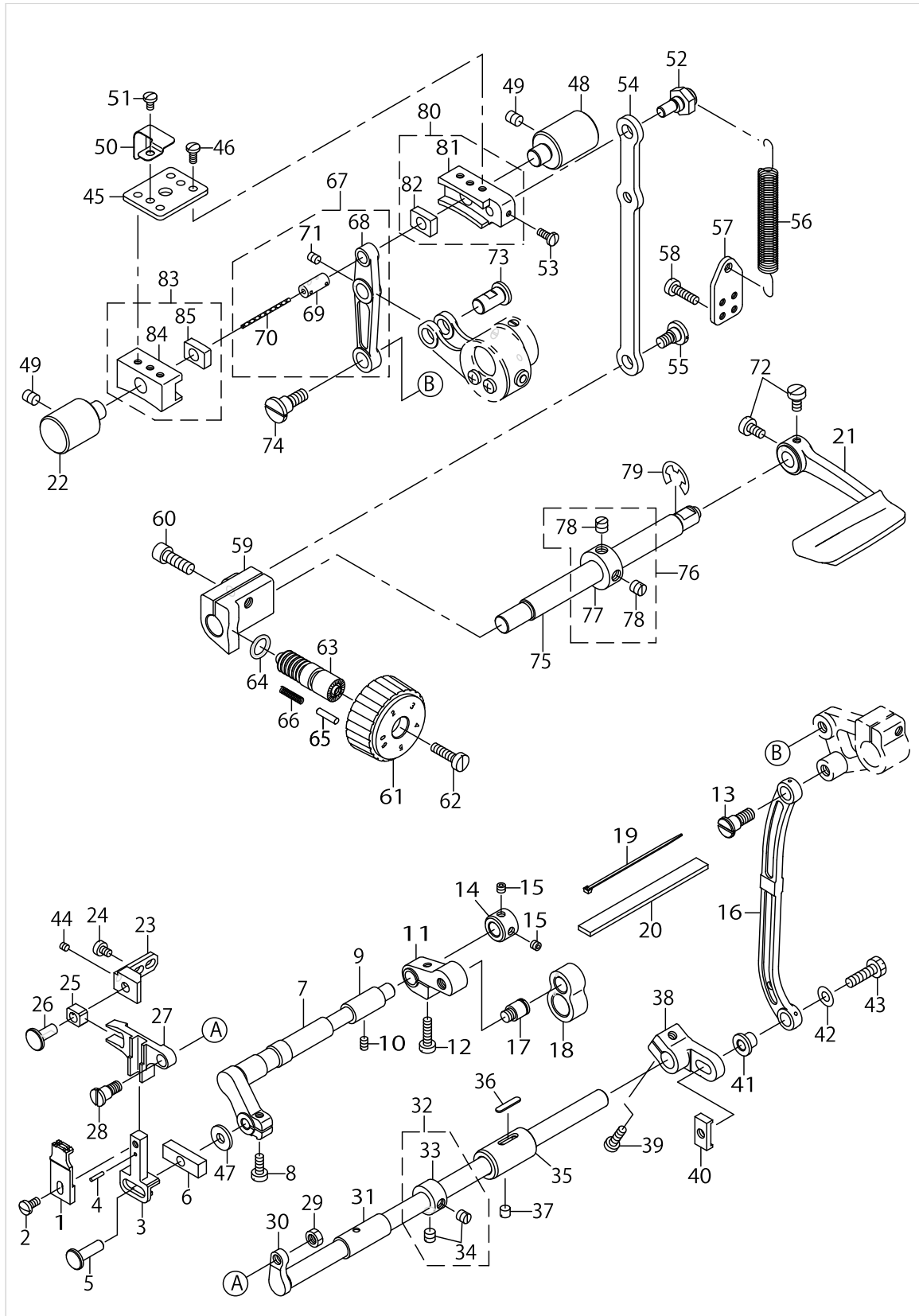
FEED MECHANISM COMPONENTS



FEED MECHANISM COMPONENTS

No.	Parts No.	Parts name	Remarks	Level	Cons	Qty
1	21435102	FEED DOG				1
2	SS7110840SP	SCREW 11/64-40 L=7.8				1
3	40091243	FEED BASE				1
4	PS0200102KH	SPRING PIN 2.0X10				1
5	40091250	FEED BASE PIN				1
6	40091254	FEED BASE SQUARE BLOCK				1
7	21429006	VERTICAL FEED SHAFT				1
8	SS6121220TP	SCREW 3/16-28 L=11.5				1
9	40091315	VERTICAL FEED SHAFT METAL				1
10	SS8110710SP	SCREW 11/64-40 L=6.5				1
11	21429105	VERTICAL FEED ARM				1
12	SS6121850TP	SCREW 3/16-28 L=18				1
13	SD0900701TP	HINGE SCREW D=9 H=7				1
14	21429709	VERTICAL FEED THRUST COLLAR				1
15	SM8050402TP	SCREW				2
16	10205201	NEEDLE BAR FRAME ROD				1
17	21048707	HINGE SCREW				1
18	21429204	VERTICAL FEED ROD				1
19	A407855000A	CLIP BAND				1
20	21429600	VERTICAL FEED ROD FELT				1
21	21388004	REVERSE FEED ROCK SHAF				1
22	21430400	FEED ADJUSTER SUPPORT				1
23	40091248	HORIZONTAL FEED BASE SUPPORT				1
24	SS6110610TP	SCREW 11/64-40 L=6				2
25	40091244	SQUARE BLOCK				1
26	40091245	HORIZONTAL FEED BASE SUPPORT PIN				1
27	40091242	HORIZONTAL FEED BASE				1
28	SD0790701SP	HINGE SCREW D=7.94 H=7				1
29	NS6660430SP	NUT 1/4-40				1
30	21427604	HORIZONTAL FEED SHAFT				1
31	B1607246000	BUSHING FRONT				1
32	CS111101CSH	THRUST COLLAR ASM.D=11.11 W=10				1
33	CS1111019SH	THRUST COLLAR D=11.11 W=10		*		1
34	SS8660610TP	SCREW 1/4-40 L=6		*		2
35	21427703	HORIZONTAL FEED SHAFT D				1
36	B1806038000	OIL FELT				1
37	SS8150510TP	SCREW 15/64-28 L=4.7				1
38	21428305	HORIZONTAL FEED ARM				1
39	SS6121610TP	SCREW 3/16-28 L=15.5				1
40	21428503	HORIZONTAL FEED ARM STOPPER				1
41	21428404	HORIZONTAL FEED ARM ROD				1
42	WP0621016SH	WASHER				1
43	SS9152130CP	SCREW 15/64-28 L=20.5				1
44	SS8110422TP	SCREW 11/64-40 L=4				1
45	21407408	FITTING PLATE				2
46	SS7110910TP	SCREW 11/64-40 L=8.5				4
47	40090727	WASHER				2

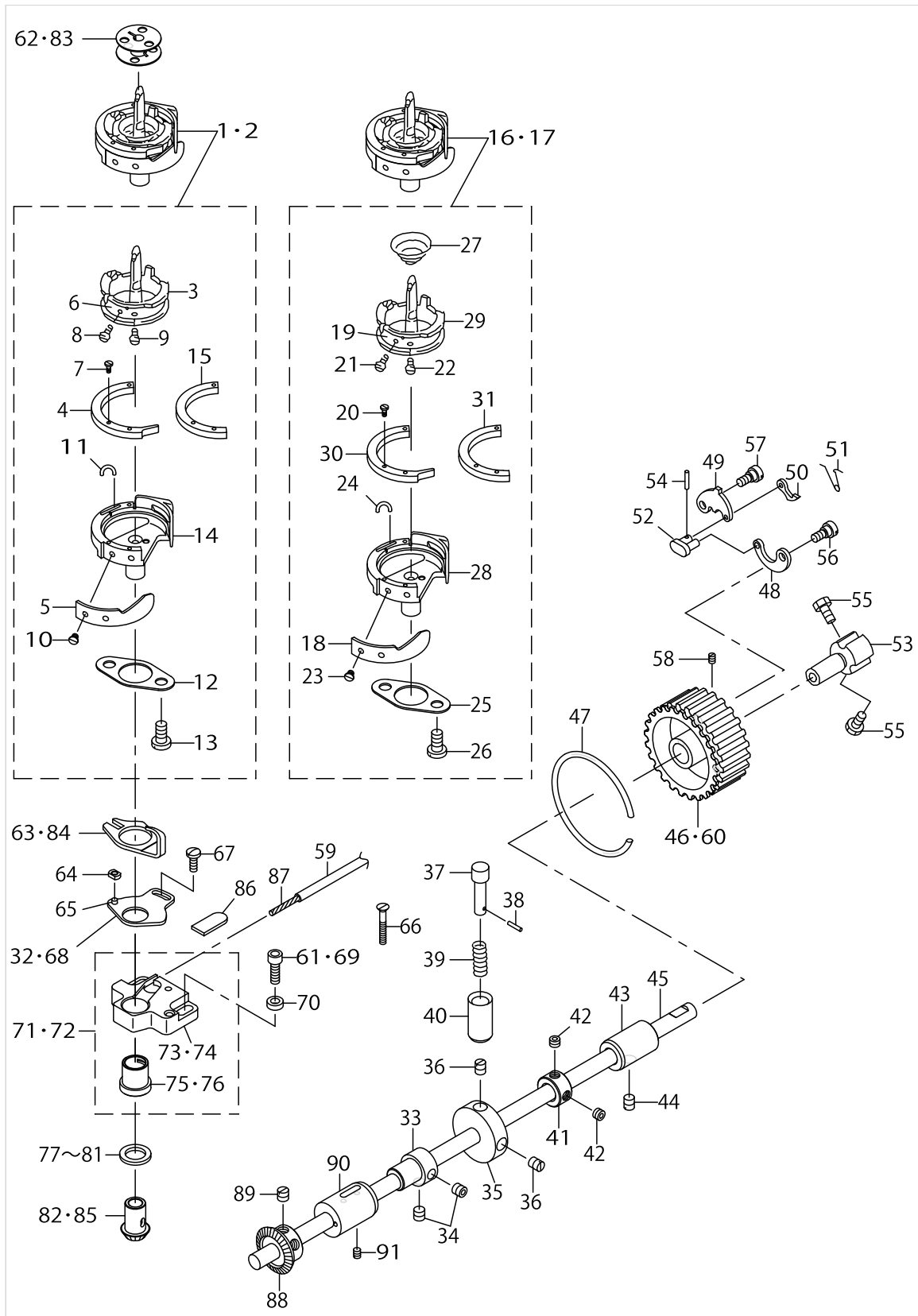
FEED MECHANISM COMPONENTS



FEED MECHANISM COMPONENTS

No.	Parts No.	Parts name	Remarks	Level	Cons	Qty
48	21337803	FEED ADJUSTING BASE SUPPORT				1
49	SS8150822TP	SCREW 15/64-28 L=8				2
50	40038712	FELT HOLDER				1
51	SS7110710SP	SCREW 11/64-40 L=7				2
52	21337902	ECCENTRIC PIN				1
53	SS7090910TP	SCREW 9/64-40 L=8.5				2
54	21337308	FEED ADJUSTING ROD				1
55	SD0800402TP	HINGE SCREW D=8 H=4				1
56	21337605	SPRING				1
57	40019926	SPRING HOOK				1
58	SS6111610SP	SCREW 11/64-40 L=16				2
59	21430202	FEED ADJUSTING				1
60	SM6061802TP	SCREW M6 L=18				1
61	21430301	FEED ADJUSTING DIAL				1
62	SS6121860SP	SCREW 3/16-28 L=18				1
63	22911804	FEED REGULATOR SCREW				1
64	RO092270200	RUBBER RING				1
65	22912000	FEED REGULATOR PIN				1
66	22912109	FEED REGULATOR PIN SPRING				1
67	21336656	FEED LINK ASM.				1
68	21336607	FEED LINK		*		1
69	B1418761000	CONNECTING FORKED LINK PIN		*		1
70	CQ202000000	OIL WICK		*		0.04
71	SM8050612TP	SCREW M5X6		*		1
72	SS6120930TP	SCREW 3/16-28 L=9	FOR LS-1342			2
73	21338207	FEED LINK PIN				1
74	SD1000801SH	HINGE SCREW D=10 H=8				1
75	21336300	BACKWARD FEED LEVER SHAFT				1
76	CS1201010SH	THRUST COLLAR ASM. D=12 W=10				1
77	CS1201011SH	THRUST COLLAR D=12 W=10		*		1
78	SS8660610TP	SCREW 1/4-40 L=6		*		2
79	RE0900000K0	E-RING 9				1
80	40081970	FEED ADJUSTING BASE				1
81	21407200	FEED ADJUSTING BASE		*		1
82	21407309	SQUARE BLOCK		*		1
83	40081969	FEED ADJUSTING BASE B SET				1
84	40038711	FEED ADJUSTING BASE B		*		1
85	21407309	SQUARE BLOCK		*		1

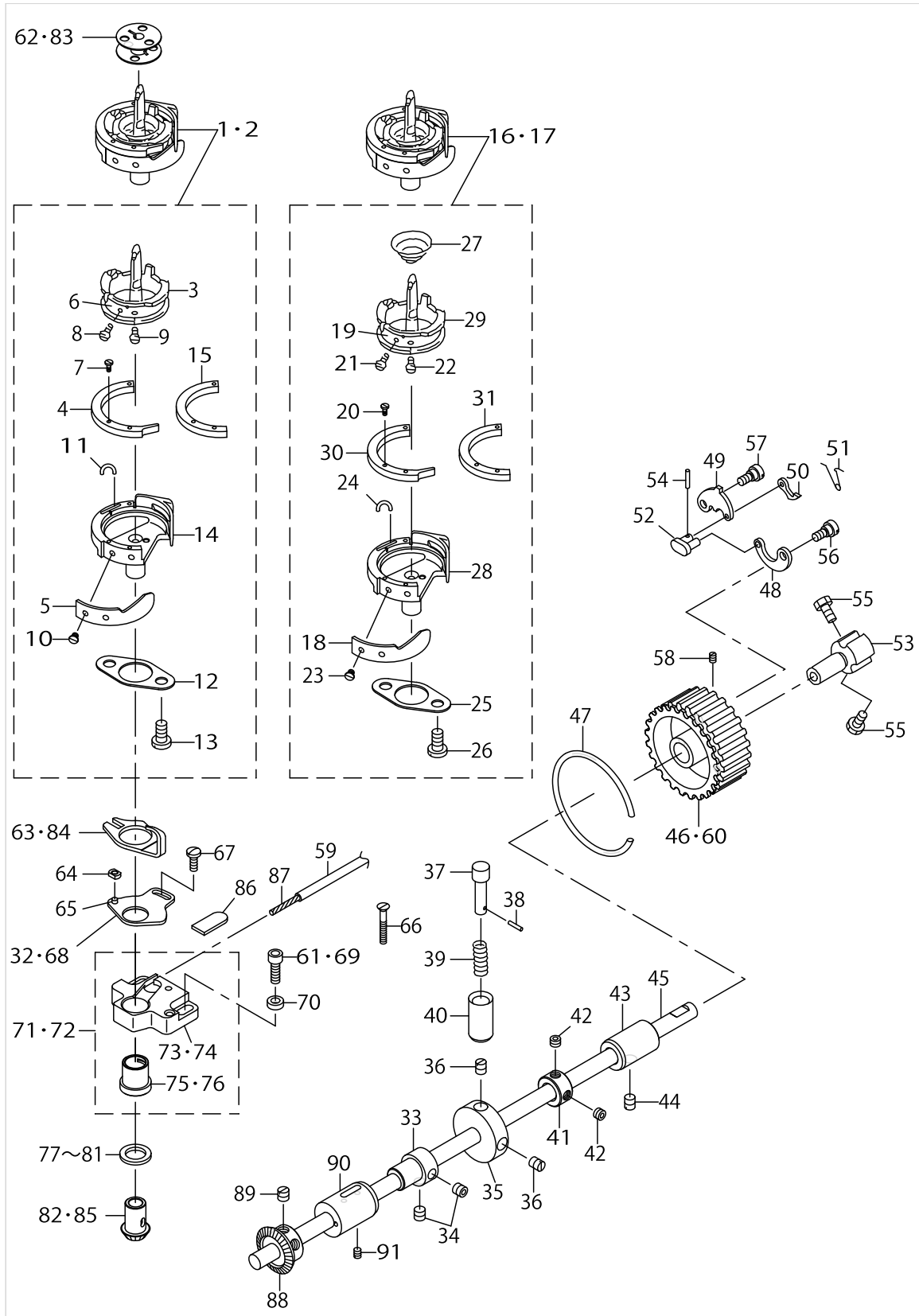
HOOK SHAFT & LOWER SHAFT COMPONENTS



HOOK SHAFT & LOWER SHAFT COMPONENTS

No.	Parts No.	Parts name	Remarks	Level	Cons	Qty
1	21431457	LATCH HOOK ASM.	FOR LS-1342			1
2	21435854	LATCH HOOK ASM.	FOR LS-1342(OPTIONAL PARTS)			1
3	21435953	LATCH INNER HOOK ASM.		*		1
4	23026008	INNER HOOK PRESSER WITH HORN	FOR LS-1342	*		1
5	21441803	NEEDLE GUARD		*		1
6	21442207	TENSION SPRING		*		1
7	10723104	PRESSER SETSCREW		*		3
8	21442306	TENSION SCREW		*		1
9	21442405	TENSION SPRING SETSCREW		*		1
10	22814008	SCREW		*		2
11	23026404	FELT		*		1
12	23102403	NEEDLE GUARD		*		1
13	23102809	NEEDLE GUARD SETSCREW		*		2
14	21435508	HOOK		*		1
15	21435706	INNER HOOK PRESSER	FOR LS-1342(OPTIONAL PARTS)	*		1
16	21441753	THREAD TRIMMER LATCH HOOK ASM.	FOR LS-1342-7			1
17	21435458	THREAD TRIMMER LATCH HOOK ASM.	FOR LS-1342-7(OPTIONAL PARTS)			1
18	21441803	NEEDLE GUARD		*		1
19	10722908	TENSION SPRING		*		1
20	10723104	PRESSER SETSCREW		*		3
21	23026800	ADJUSTING SCREW		*		1
22	23026701	SCREW		*		1
23	22814008	SCREW		*		2
24	23026404	FELT		*		1
25	23102403	NEEDLE GUARD		*		1
26	23102809	NEEDLE GUARD SETSCREW		*		2
27	23027402	IDLE PREVENTION SPRING		*		1
28	21435508	HOOK		*		1
29	21435656	LATCH INNER HOOK ASM.		*		1
30	23026008	INNER HOOK PRESSER WITH HORN	FOR LS-1342-7	*		1
31	21435706	INNER HOOK PRESSER	FOR LS-1342-7(OPTIONAL PARTS)	*		1
32	21437702	ADJUSTING PLATE	FOR LS-1342-7			1
33	21429402	VERTICAL FEED CAM (0.6)				1
34	SS8660612TP	SCREW 1/4-40 L=6				2
35	B1301340000	SAFETY CLUTCH DISK				1
36	SS8150710SP	SCREW 15/64-28 L=7				2
37	21223409	SAFETY CLUTCH PUSH BUTTON				1
38	PS0200102KH	SPRING PIN 2.0 X 10				1
39	B1639051000	SPRING				1
40	21223508	PUSH BUTTON CYLINDER				1
41	23102700	LOWER SHAFT THRUST HOLDER				1
42	SS8150432TH	SCREW 15/64-28 L=4				2
43	21427307	LOWER SHAFT METAL REAR				1
44	SS8150710TP	SCREW 15/64-28 L=7				1
45	21427208	LOWER SHAFT				1
46	21333505	LOWER SPROCKET	SELECTIVE PARTS			1
47	B1214019000	SPROCKET RING				1

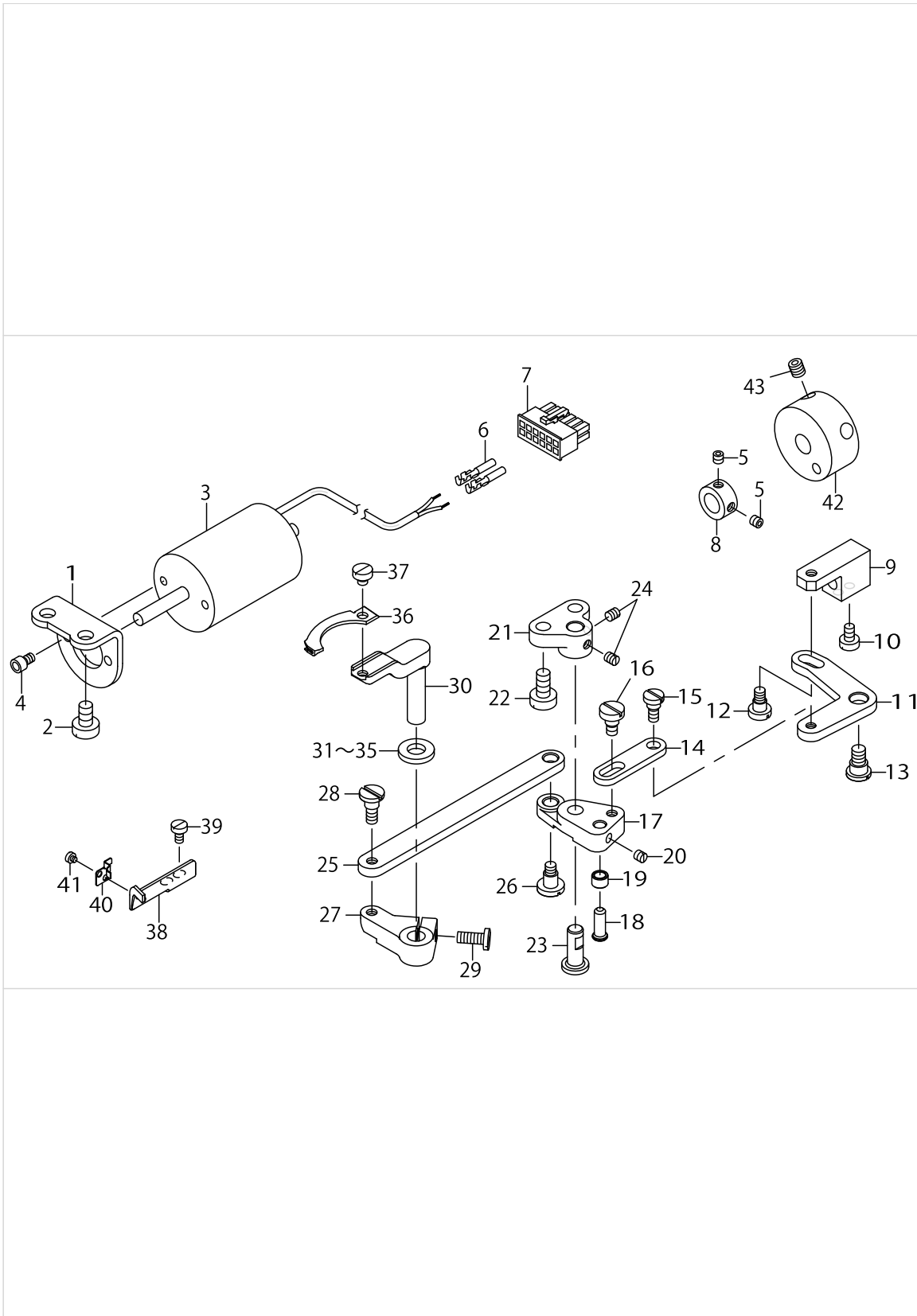
HOOK SHAFT & LOWER SHAFT COMPONENTS



HOOK SHAFT & LOWER SHAFT COMPONENTS

No.	Parts No.	Parts name	Remarks	Level	Cons	Qty
48	B1305055000A	SAFETY CLUTCH SPRING				1
49	B1307055000	SAFETY CLUTCH HOOK				1
50	B1308055000	SAFETY CLUTCH COUNTER-HOOK				1
51	40113224	COUNTER HOOK SPRING				1
52	B1310055000	SAFETY CLUTCH SMALL LINK				1
53	10503605	SAFETY BASE				1
54	B1314055000	SAFETY CLUTCH SMALL LINK PIN				1
55	SS6661110SP	SCREW 1/4-40 L=11				2
56	SD0640322TP	HINGE SCREW D=6.35 H=3.2				1
57	SD0640322TP	HINGE SCREW D=6.35 H=3.2				1
58	SS8090540SP	SCREW 9/64-40 L=5				1
59	BT0500300EA	OIL TUBE				0.05
60	21441605	LOWER SPROCKET				1
61	SM6051202TP	SCREW M5X0.8 L=12	FOR LS-1342-7			2
62	B9117201000	BOBBIN	FOR LS-1342			1
63	23102601	INNER HOOK GUIDE	FOR LS-1342			1
64	B1827246000	SLIDE BLOCK				1
65	B1826246000	SLIDE BLOCK PIN				1
66	SS1092810SP	SCREW 9/64-40 L=25.4				1
67	SS7091110TP	SCREW 9/64-40 L=10.5				1
68	21231204	ADJUSTING PLATE	FOR LS-1342			1
69	SM6051202TP	SCREW M5X0.8 L=12	FOR LS-1342			2
70	40090530	WASHER				2
71	40029253	HOOK SHAFT BASE ASM.	FOR LS-1342			1
72	40091908	HOOK SHAFT BASE(FOR THREAD TRIMMER) ASM.	FOR LS-1342-7			1
73	40029250	HOOK SHAFT BASE	FOR LS-1342	*		1
74	40091899	HOOK SHAFT BASE(FOR THREAD TRIMMER)	FOR LS-1342-7	*		1
75	40029246	HOOK SHAFT METAL	FOR LS-1342	*		1
76	40029248	HOOK SHAFT METAL	FOR LS-1342-7	*		1
77	B1820246000	WASHER	SELECTIVE PARTS			1
78	B182024600A	WASHER A	SELECTIVE PARTS			1
79	B182024600B	WASHER B				1
80	B182024600C	WASHER C	SELECTIVE PARTS			1
81	B182024600D	WASHER	SELECTIVE PARTS			1
82	21227301	HOOK SHAFT GEAR	FOR LS-1342			1
83	10759603	ALUMINUM BOBBIN (DOUBLE-CUT)	FOR LS-1342-7			1
84	23102601	INNER HOOK GUIDE	FOR LS-1342-7			1
85	23102205	HOOK SHAFT BEVEL GEAR	FOR LS-1342-7			1
86	21431200	HOOK SHAFT LUBRICATION FELT				1
87	CQ202000000	OIL WICK				0.16
88	B1836246000A	LOWER SHAFT BEVEL GEAR				1
89	SS8660612TP	SCREW 1/4-40 L=6				3
90	B1803246000	BUSHING INTERMEDIATE				1
91	SS8110410TP	SCREW 11/64-40 L= 3.5				1

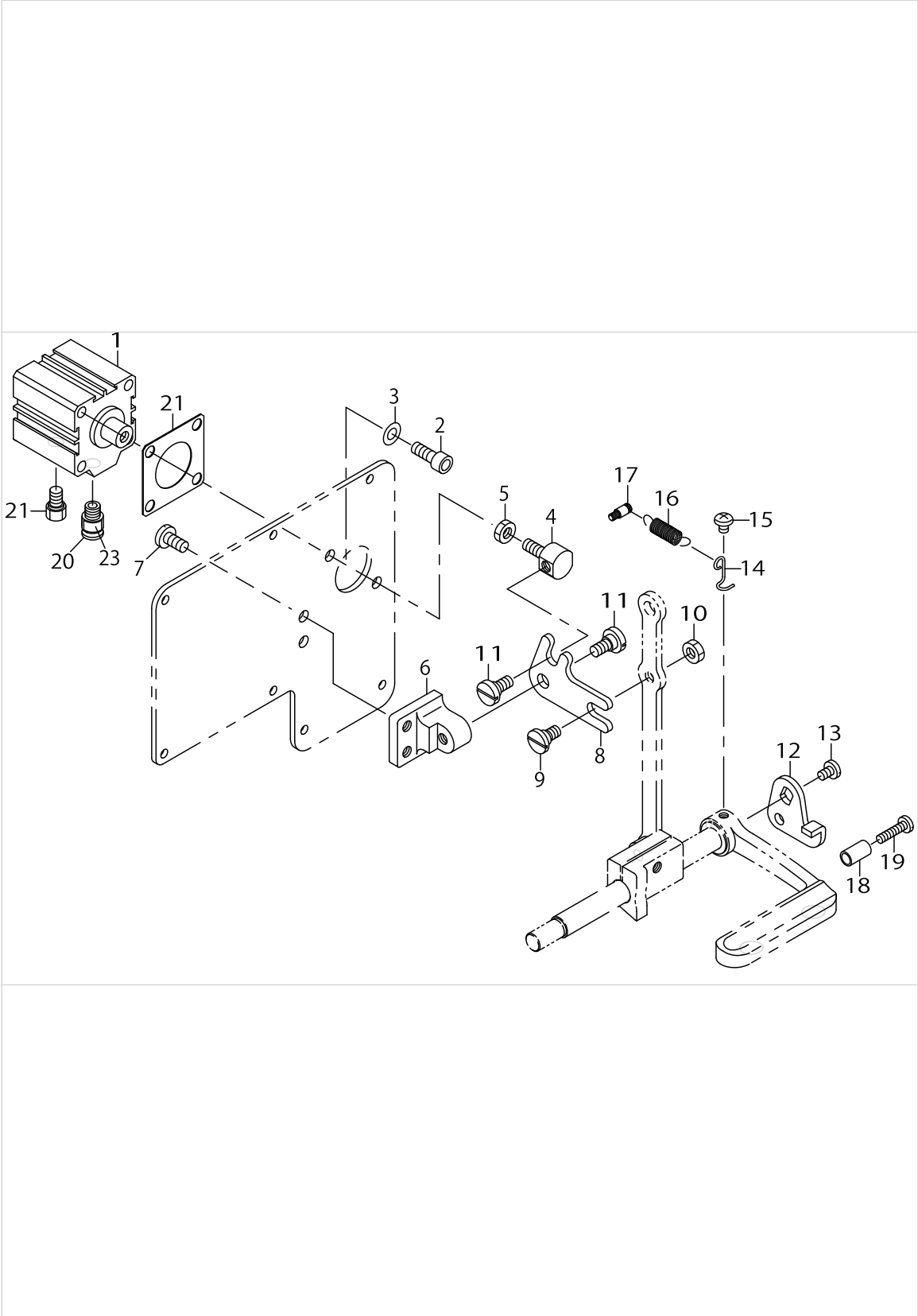
THREAD TRIMMER COMPONENTS (FOR LS-1342-7)



THREAD TRIMMER COMPONENTS (FOR LS-1342-7)

No.	Parts No.	Parts name	Remarks	Level	Cons	Qty
1	21439005	SOLENOID FITTING PLATE				1
2	SS6151040SP	SCREW 15/64-28 L=10				2
3	23104201	THREAD CUTTING SOLENOID				1
4	SM6040602TP	SCREW M4 L=6				2
5	SS8110422TP	SCREW 11/64-40 L=4				2
6	HK03464000B	PIN CONTACT				2
7	HK034610120	HOUSING 12P				1
8	CS0950816SH	THRUST COLLAR D=9.5 W=8				1
9	21439104	THREAD TRIMMER SOLENOID ARM				1
10	SS6110710TP	SCREW 11/64-40 L=6.5				2
11	21439203	THREAD TRIMMER SOLENOID LINK				1
12	SD0600452TP	HINGE SCREW D=6 H=4.5				1
13	SD0790451SP	HINGE SCREW D=7.94 H=4.5				1
14	21439302	SOLENOID CONNECTING LINK				1
15	SD0600352SP	HINGE SCREW				1
16	SD0600321SP	HINGE SCREW D=6 H=3.2				1
17	21439401	FOLLOWER ARM				1
18	21439500	CAM ROLLER SHAFT				1
19	21440508	THREAD TRIMMER CAM ROLLER				1
20	SS8110410TP	SCREW 11/64-40 L=3.5				1
21	21439609	FOLLOWER BASE				1
22	SS6151210SP	SCREW 15/64-28 L=12				2
23	21439708	FOLLOWER SHAFT				1
24	SS8110422TP	SCREW 11/64-40 L=4				2
25	21439807	THREAD TRIMMER LINK				1
26	SD0640631TP	HINGE SCREW D=6.35 H=6.3				1
27	21439906	MOVING KNIFE ARM				1
28	SD0640451TP	HINGE SCREW D=6.35 H=4.5				1
29	SS6121210SP	SCREW 3/16-28 L=12				1
30	21440003	MOVING KNIFE BASE				1
31	B185351200AA	HOOK SHAFT WASHER A	SELECTIVE PARTS			1
32	B185351200BA	HOOK SHAFT WASHER B	SELECTIVE PARTS			1
33	B185351200CA	HOOK SHAFT WASHER C				1
34	B185351200D	HOOK SHAFT WASHER	SELECTIVE PARTS			1
35	B185351200E	HOOK SHAFT WASHER	SELECTIVE PARTS			1
36	21440607	MOVING KNIFE				1
37	SS6110480SP	SCREW 11/64-40 L=4.3				1
38	21440102	FIXING KNIFE				1
39	SS6090620TP	SCREW				2
40	21440201	CLAMP PLATE				1
41	SS6060220SP	SCREW 3/32-56 L= 2.0				2
42	21440300	THREAD TRIMMER CAM				1
43	SS8660612TP	SCREW 1/4-40 L=6				2

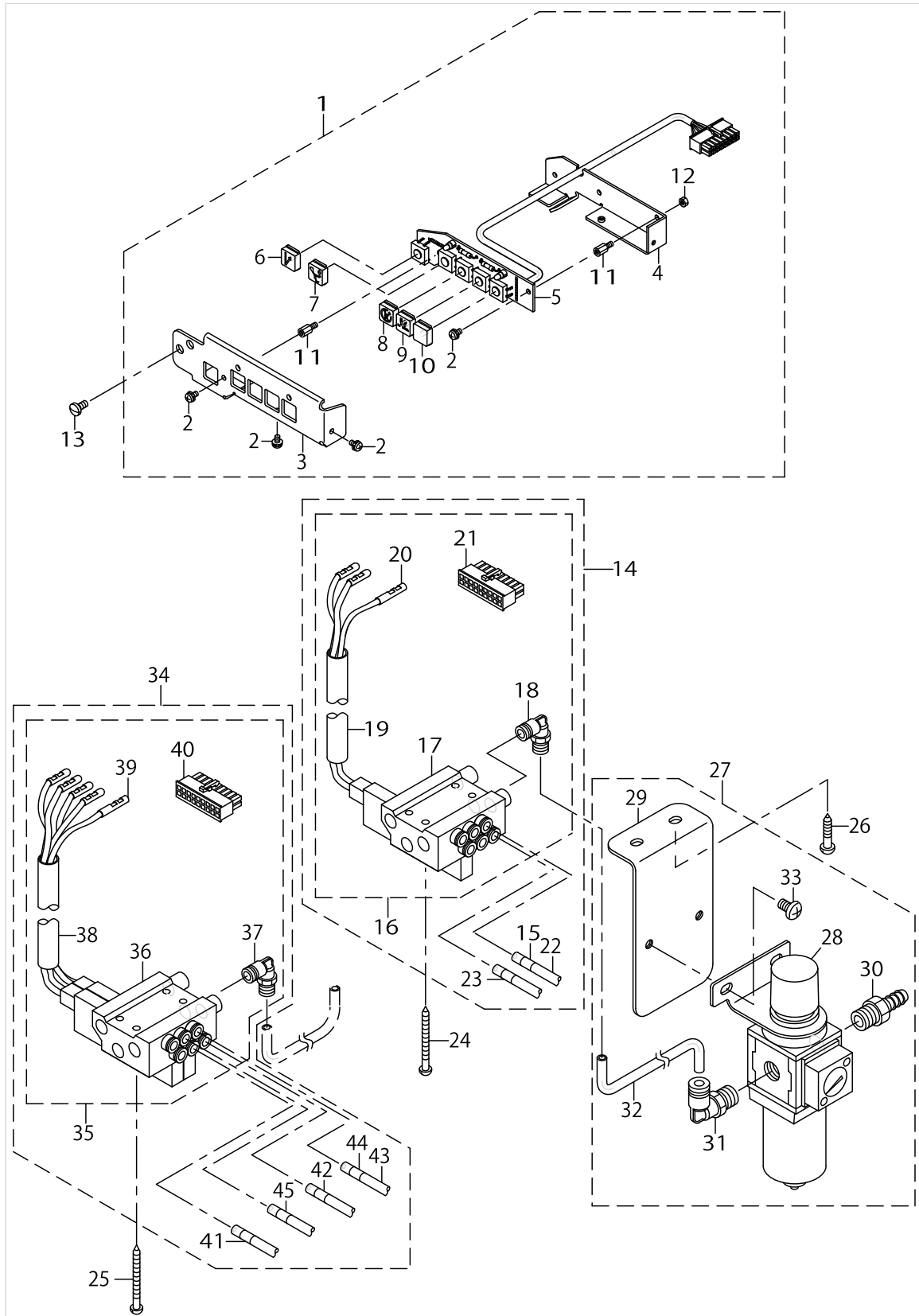
AUTOMATIC BACK COMPONENTS (FOR LS-1342-7)



AUTOMATIC BACK COMPONENTS (FOR LS-1342-7)

No.	Parts No.	Parts name	Remarks	Level	Cons	Qty
1	PA320150200	JIG CYLINDER				1
2	SM6061602TP	SCREW M6 L=16				2
3	WP0641601SD	WASHER M6				2
4	21348602	CYLINDER CONNECTING SCREW				1
5	NM6060003SC	NUT M6				1
6	21348503	FITTING BASE				1
7	SS7151210SP	SCREW 15/64-28 L=12				2
8	21348701	BACKWARD FEED LINK				1
9	SD0800402TP	HINGE SCREW D=8 H=4				1
10	NS6150430SP	NUT 15/64-28				1
11	SD0800352SP	HINGE SCREW D=8 H=3.5				2
12	22656102	REVERSE FEED LINK (1)				1
13	SS7120760SP	SCREW 3/16-28 L=7.0				1
14	22656003	SPRING SUSPENSION				1
15	SS4120615SP	SCREW 3/16-28 L=6				1
16	13515606	SPRING				1
17	40023289	SPRING SUSPENSION				1
18	22952501	BACK LEVER STOPPER				1
19	SS7111810SP	SCREW 11/64-40 L=18				1
20	PJ301065104	HALF UNION				1
21	PX015101000	MUFFLER				1
22	21349105	CYLINDER PACKING				1
23	HX002950000	WIRE MARK(1)				1

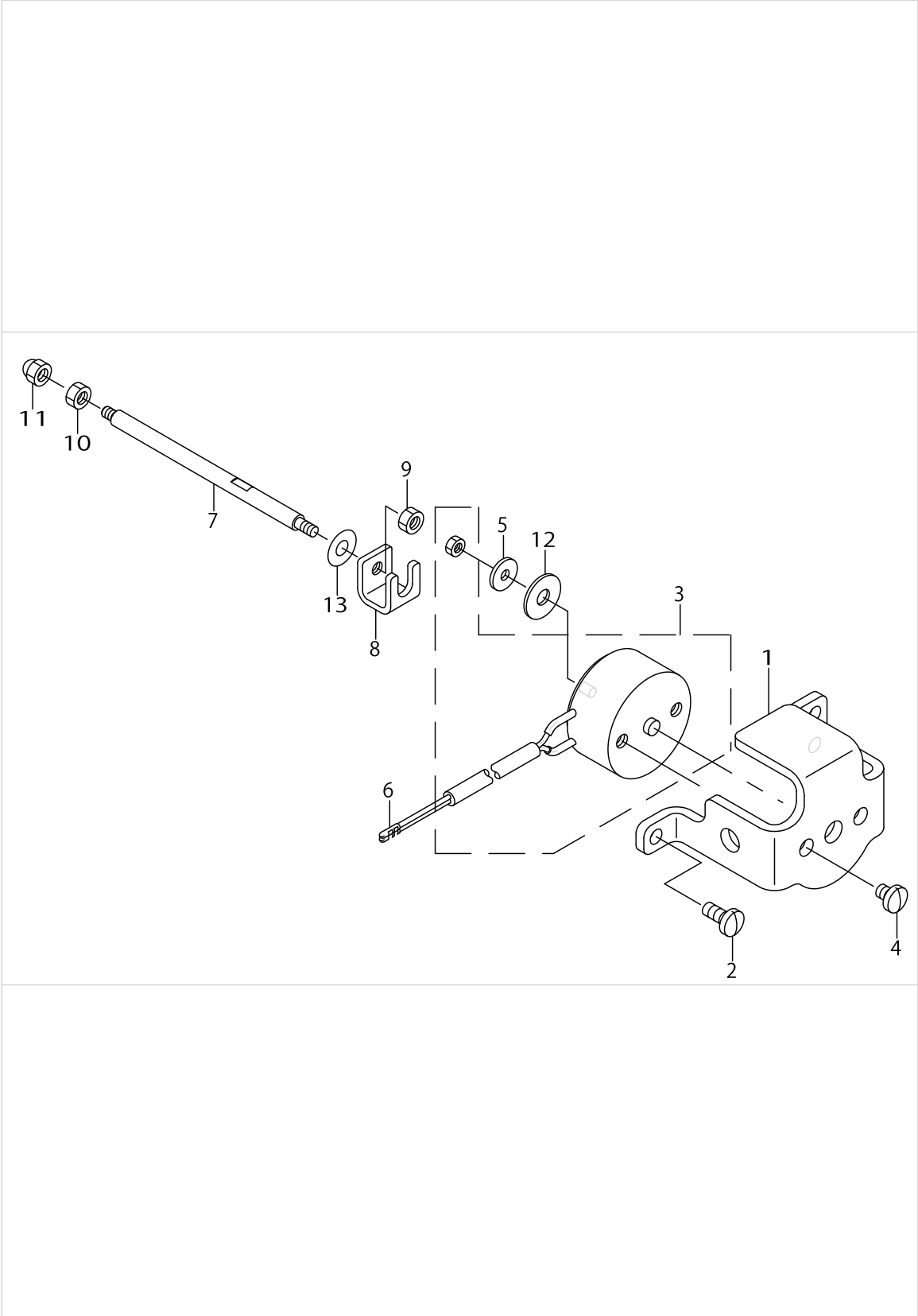
CONTROL DEVICE COMPONENTS (FOR LS-1342-7)



CONTROL DEVICE COMPONENTS (FOR LS-1342-7)

No.	Parts No.	Parts name	Remarks	Level	Cons	Qty
1	40102062	5RANGE SWITCH ASM.				1
2	SL4030631SC	SCREW M3X6		*		4
3	21442603	SWITCH COVER		*		1
4	21442702	SWITCH CIRCUIT FITTING BASE		*		1
5	40102061	5RANGE SWITCH SUB ASM.		*		1
6	21442900	KEY TOP A		*		1
7	21443007	KEY TOP B		*		1
8	21443106	KEY TOP C		*		1
9	21443205	KEY TOP D		*		1
10	21443809	KEY TOP F		*		1
11	HX00354000N	SPACER		*		4
12	NM6030001SC	NUT M3		*		3
13	SS7110840SP	SCREW 11/64-40 L=7.8				2
14	40103197	AIR APPARATUS (A) ASM.	WITH NO AUTOMATIC CONTR- OL RAISING EQUIPMENT			1
15	HX002950000	WIRE MARK(1)		*		4
16	40103198	ELECTROMAGNETIC VALVE (A) ASM.		*		1
17	GAKA2302A00	ELECTROMAGNETIC VALVE A		*		1
18	GAK29010000	ELBOW B		*		1
19	GAKA1503000	INSULATION TUBE		*		0.25
20	HK03464000A	TERMINAL FEMALE		*		3
21	HK034610180	CONNECTOR		*		1
22	BT0600401EB	TUBE		*		2
23	HX00295000C	WIRE MARK(4)		*		4
24	SK3415001SE	SCREW D=4.1 L=50				4
25	SK3415001SE	SCREW D=4.1 L=50				4
26	SK3482501SE	WOOD SCREW D=4.8 L=25				2
27	40038722	FILTER REGULATAR ASM.				1
28	PF0552170A0	FILTER REGULATOR		*		1
29	40038723	FILTERREGULATORMOUNTINGPLATE		*		1
30	40107618	NIPPLE		*		1
31	GAK29009000	ELBOW		*		1
32	BT0600401EB	TUBE		*		0.15
33	SM4061001SB	SCREW M6 L=10		*		2
34	40102066	AIR APPARATUS C ASM.	THOSE WITH AUTOMATIC CO- NTROL RAISING EQUIPMENT			1
35	40102064	ELECTROMAGNETIC VALVE C ASM.		*		1
36	GAKA2302C00	ELECTROMAGNETIC VALVE C		*		1
37	GAK29010000	ELBOW B		*		1
38	GAKA1503000	INSULATION TUBE		*		1
39	HK03464000A	TERMINAL FEMALE		*		5
40	HK034610180	CONNECTOR		*		1
41	HX00295000B	WIRE MARK(3)		*		4
42	HX00295000C	WIRE MARK(4)		*		4
43	BT0600401EB	TUBE		*		4
44	HX002950000	WIRE MARK(1)		*		4
45	HX00295000A	WIRE MARK(2)		*		4

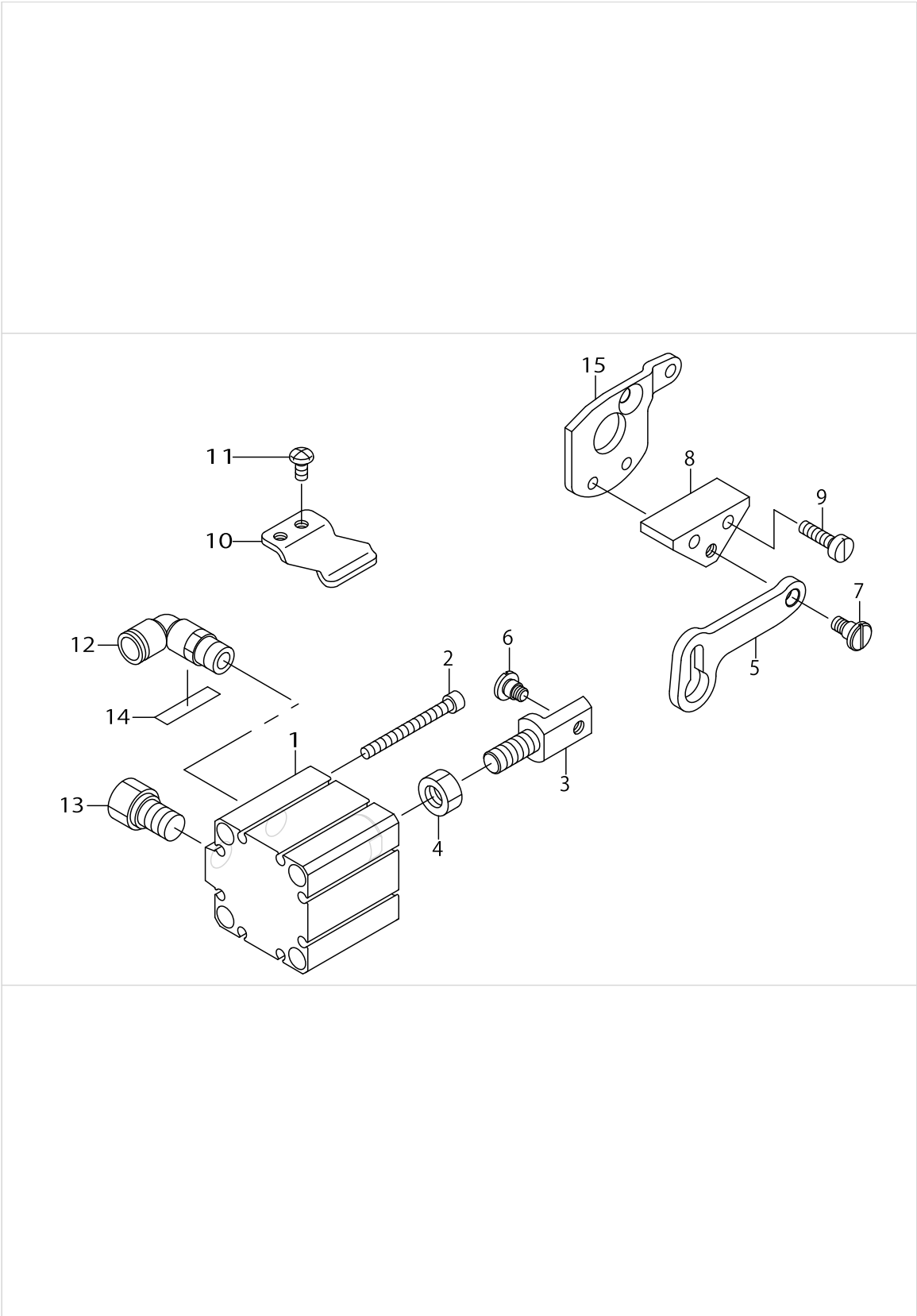
THREAD RELEASE COMPONENTS (FOR LS-1342-7)



THREAD RELEASE COMPONENTS (FOR LS-1342-7)

No.	Parts No.	Parts name	Remarks	Level	Cons	Qty
1	21441407	SOLENOID FITTING PLATE				1
2	SS7110910TP	SCREW 11/64-40 L=8.5				3
3	21363106	TENSION RELEASE SOLENOID				1
4	SS7110570SP	SCREW 11/64-40 L=4.8				2
5	40062388	WASHER				1
6	HK03464000B	PIN CONTACT				2
7	21441209	TENSION RELEASE ROD				1
8	21441308	COUPLING				1
9	NM6040001SN	NUT M4X0.7				1
10	NM6040001SN	NUT M4X0.7				1
11	NM7040062SB	NUT M4				1
12	WP0501046SC	WASHER 5X13X1				1
13	WP0482086SD	WASHER 4.8X11.5X2				1

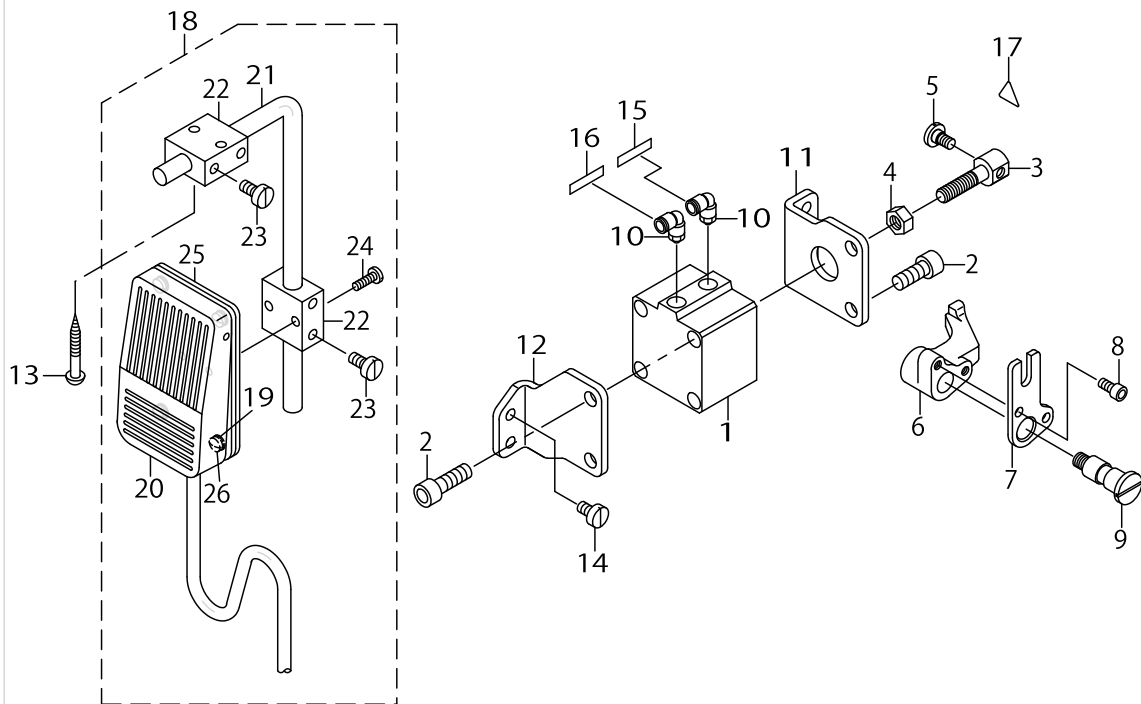
DL DEVICE COMPONENTS (FOR LS-1342-7)



DL DEVICE COMPONENTS (FOR LS-1342-7)

No.	Parts No.	Parts name	Remarks	Level	Cons	Qty
1	PA320200100	JIG CYLINDER				1
2	SM6044002TP	SCREW				2
3	21438403	CYLYNDER CONNECTING SCREW				1
4	NM6080721SE	NUT M8				1
5	21438502	MUTUAL VERTICAL LINK				1
6	SD0600403TP	HINGE SCREW				1
7	SD0600454TP	SHOULDER SCREW				1
8	21438601	MUTUAL VERTICAL LINK SPASER				1
9	SS6111610SP	SCREW 11/64-40 L=16				2
10	21438700	MUTUAL VERTICAL LINK SUPPORT				1
11	SS4110815SP	SCREW 11/64-40 L=8				2
12	PJ304065101	ELBOW UNION 6XPT1/8				1
13	PX015101000	MUFFLER				1
14	HX00295000C	WIRE MARK(4)				1
15	21438106	STOPPER PLATE B				1

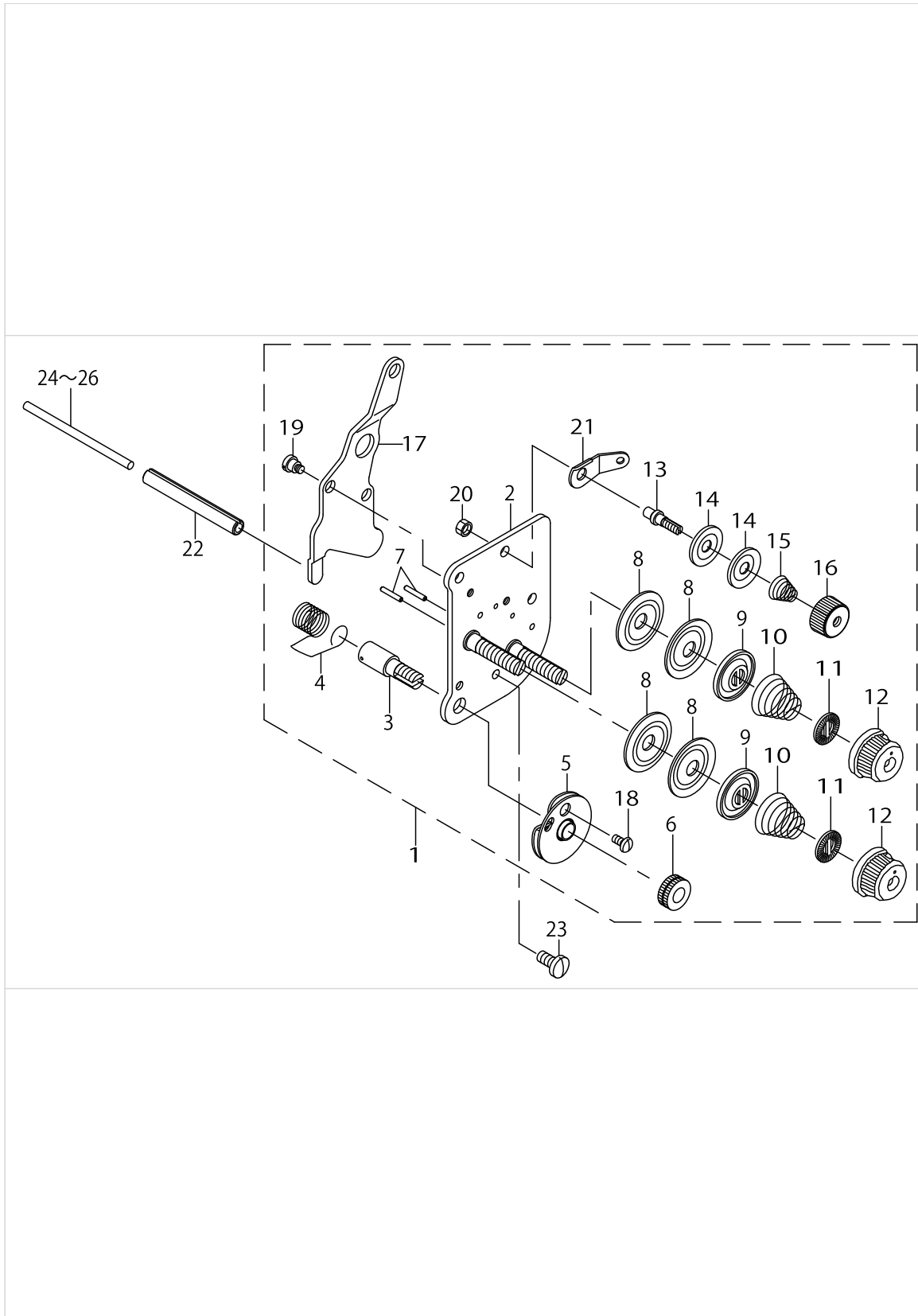
AUTOMATIC HAND LIFTER (OPTION) COMPONENTS (FOR LS-1342-7)



AUTOMATIC HAND LIFTER (OPTION) COMPONENTS (FOR LS-1342-7)

No.	Parts No.	Parts name	Remarks	Level	Cons	Qty
1	PA400150100	AIR CYLINDER				1
2	SM6082002TP	SCREW M8 L=20				4
3	21356506	CYLINDER CONNECTING SCREW				1
4	NM6080001SE	NUT M8				1
5	SD0720331SP	HINGE SCREW D=7.24 H=3.3				1
6	21388509	PRESSER LIFTER LEVER A				1
7	21356803	LEVER B				1
8	SM6051002TP	SCREW M5X0.8 L=10				2
9	21356704	SHAFT				1
10	PJ304065101	ELBOW UNION 6XPT1/8				2
11	21356308	CYLINDER STAY(FRONT)				1
12	21356407	CYLINDER STAY(REAR)				1
13	SK3385001SE	WOOD SCREW D=3.8 L=50				2
14	SS6151040SP	SCREW 15/64-28 L=10				4
15	HX00295000A	WIRE MARK(2)				1
16	HX00295000B	WIRE MARK(3)				1
17	CM300200001	ATTENTION SEAL				1
18	40025036	KNEE SWITCH ASM.				1
19	WP0480856SP	WASHER 4.8X8.4X0.8		*		4
20	40025035	KNEE SWITCH ASM.		*		1
21	MAT80231T00	DRIVING BAR T002		*		1
22	MAT80230T00	KNEE SWITCH SUPPORT BASE		*		2
23	SS6151220SP	SCREW 15/64-28 L=11.5		*		4
24	SS7111410SP	SCREW 11/64-40 L=14		*		2
25	MAT80232T00	KNEE SWITCH SUPPORT PLATE		*		1
26	SS7110710SL	SCREW 11/64-40 L=7.0		*		4

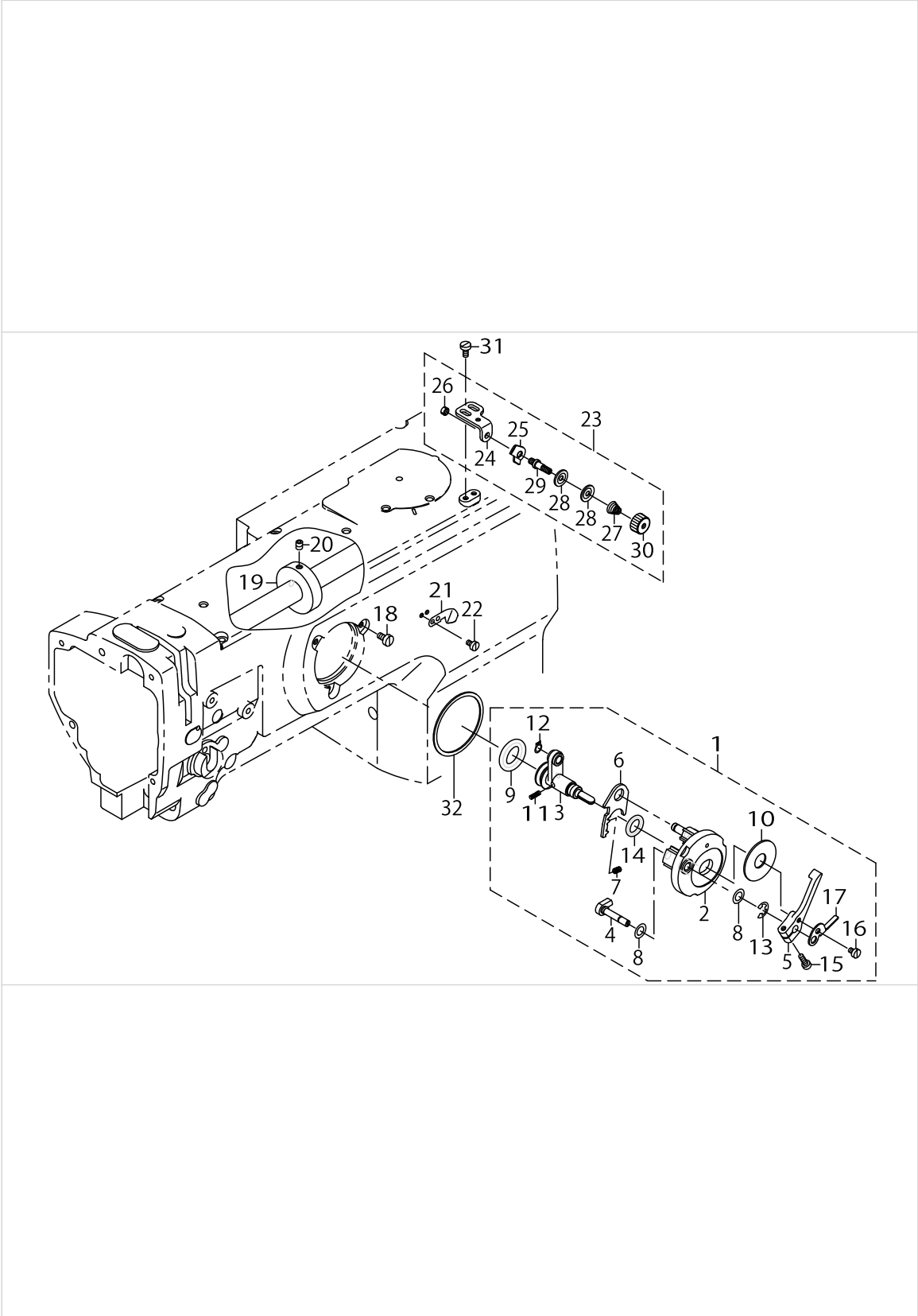
THREAD TENSION COMPONENTS



THREAD TENSION COMPONENTS

No.	Parts No.	Parts name	Remarks	Level	Cons	Qty
1	40103925	THREAD TENSION ASM.				1
2	21441050	TENSION POST COMPL.		*		1
3	10320109	SCREW STUD		*		1
4	B3128520000	TENSION SPRING		*		1
5	B31370510A0	TAKE-UP SPRING GUIDE DISC ASM.		*		1
6	B3125012000	THREAD TENSION NUT		*		1
7	22618201	TENSION RELEASE PIN A		*		2
8	13138201	THREAD TENSION DISK		*		4
9	22617906	THREAD TENSION DISK PRESSER		*		2
10	B3129526000	TENSION SPRING (1.2)		*		2
11	22921407	ROTATION STOPPER		*		2
12	22921308	THREAD TENSION NUT		*		2
13	10124204	THREAD TENSION POST A		*		1
14	10741106	FIRST THREAD TENSION PLATE		*		2
15	22945505	THREAD TENSION SPRING		*		1
16	22945703	THREAD TENSION NUT		*		1
17	21441100	TENSION RELEASE PLATE		*		1
18	SS4080620TP	SCREW 1/8-44 L=6		*		1
19	SD0470281SP	HINGE SCREW D=4.7 H=2.8		*		2
20	NS6110310SP	NUT 11/64-40		*		1
21	D3162555B00	THREAD GUIDE		*		1
22	PS0600502KP	SPRING PIN				1
23	SS7110910TP	SCREW 11/64-40 L=8.5				2
24	21348206	TENSION RELEASE BAR				1
25	10321107	TENSION RELEASE BAR	SELECTIVE PARTS			1
26	23006406	TENSION RELEASE BAR	SELECTIVE PARTS			1

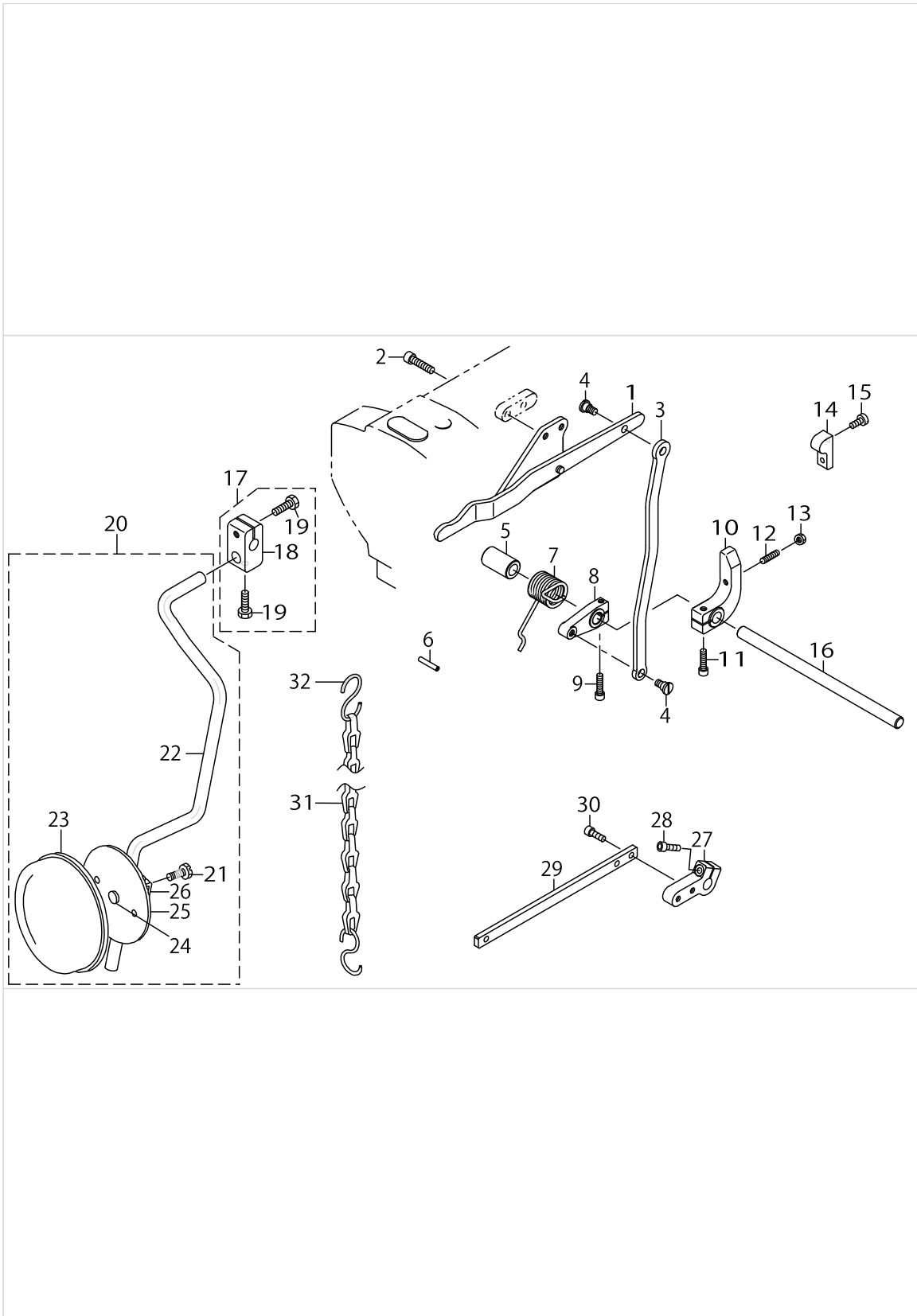
LOWER THREAD WINDER MECHANISM COMPONENTS



LOWER THREAD WINDER MECHANISM COMPONENTS

No.	Parts No.	Parts name	Remarks	Level	Cons	Qty
1	21357967	BOBBIN DEVICE ASM.				1
2	22537658	BOBBIN FITTING BASIS COMPL.		*		1
3	21357959	BOBIN SHAFT COMPL.		*		1
4	22538151	BOBBIN CAM SHAFT COMPL.		*		1
5	23636202	BOBBIN LEVER		*		1
6	21356001	ADJUSTING PLATE		*		1
7	B152989000CA	PRESSUR FOOT SPRING		*		1
8	10618304	VERTICAL ROLLER WASHER		*		2
9	21358205	RUBBER RING		*		1
10	B3205210000	CUSHION		*		1
11	B1148555000	SPRING		*		1
12	RC0560711KP	RETAINING RING		*		1
13	RE0500000K0	E-RING		*		1
14	RO092270200	RUBBER RING		*		1
15	SS7091410SP	SCREW 9/64-40 L=13.5		*		1
16	SS6090520SP	SCREW 9/64-40 L=5.0		*		1
17	14512503	BOBBIN ADJUSTING PLATE		*		1
18	SS6110810TP	SCREW 11/64-40 L=8				3
19	10704807	BOBBIN FRICTION WHEEL				1
20	SM8050602TP	SCREW M5 L=6				2
21	10502300	THREAD CUTTER				1
22	SS6090620TP	SCREW				1
23	21355755	LOWER THREAD GUIDE ASM.				1
24	21355706	FITTING BASE		*		1
25	D3162555B00	THREAD GUIDE		*		1
26	NS6110310SP	NUT 11/64-40		*		1
27	22945505	THREAD TENSION SPRING		*		1
28	40113092	THREAD TENSION DISK		*		2
29	21378708	THREAD TENSION POST		*		1
30	22945703	THREAD TENSION NUT		*		1
31	SM6040800SP	SCREW				2
32	22538706	PACKING				1

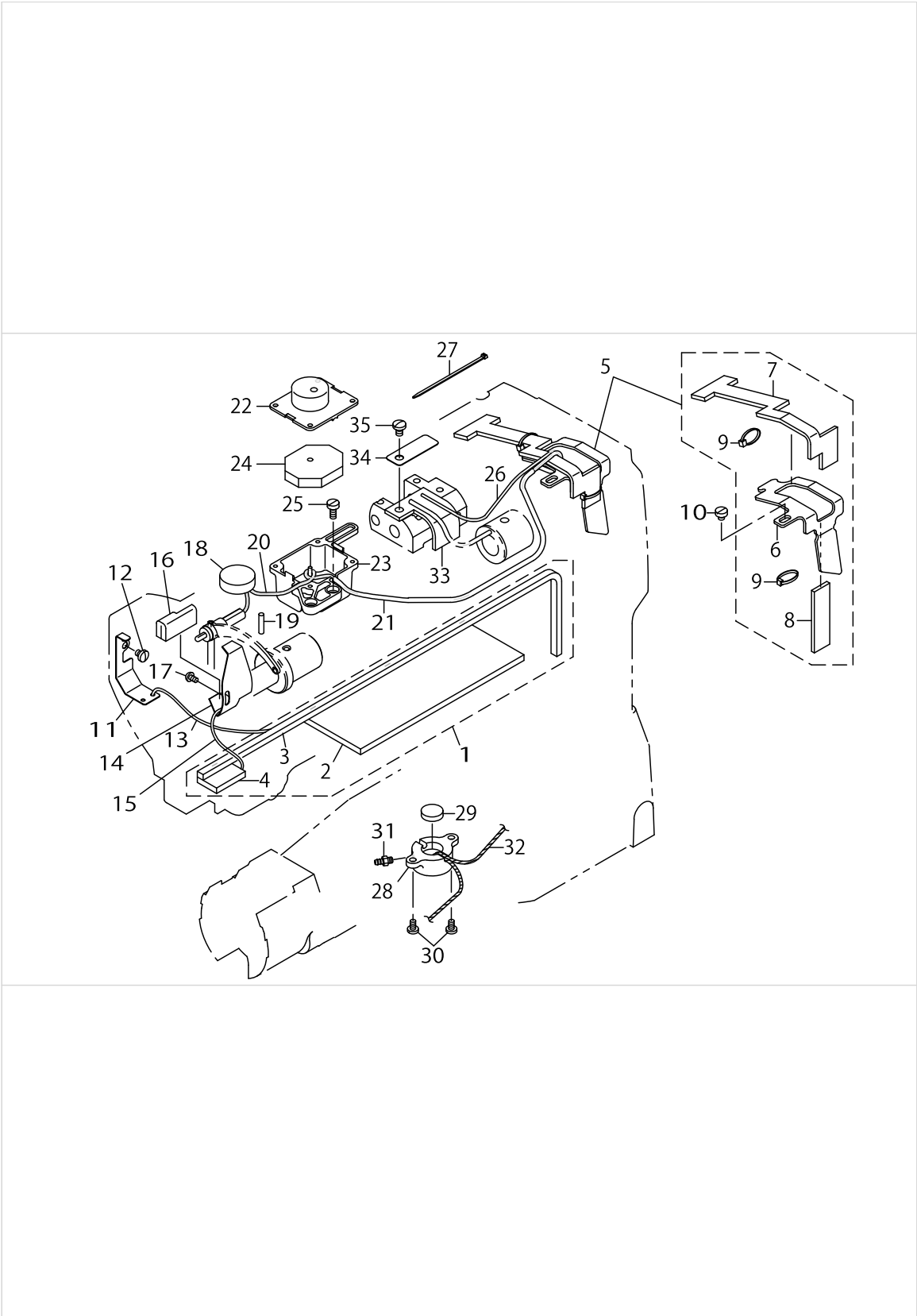
KNEE LIFTER COMPONENTS



KNEE LIFTER COMPONENTS

No.	Parts No.	Parts name	Remarks	Level	Cons	Qty
1	21432851	KNEE LIFTER LEVER ASM.				1
2	SM6062502TP	SCREW M6 L=25				2
3	21432703	NEE LIFTER CONNECTING PLATE				1
4	SD0790451SP	HINGE SCREW D=7.94 H=4.5				2
5	21433008	NEE LIFTER CONNECTING PLATE				1
6	PS0400222K0	SPRING PIN				1
7	21433107	KNEE LIFTER SPRING				1
8	21405709	KNEE LIFTER ARM				1
9	SM6052002TP	SCREW M5 L=20				1
10	21432604	KNEE LIFTER STOPPER ARM				1
11	SM6052002TP	SCREW M5 L=20				1
12	SM8052502TP	SCREW M5X0.8 L=25				1
13	NM6050001SD	NUT M5X0.8				1
14	21433206	STOPPER ARM				1
15	SS6121210SP	SCREW 3/16-28 L=12				2
16	21432505	KNEE LIFTER SHAFT				1
17	22932453	BRACKET ASM.				1
18	22932404	BRACKET		*		1
19	22934707	SCREW		*		2
20	21433354	KNEE PRESS PLATE ASM.				1
21	SM9061203SE	SCREW M6 L=12		*		1
22	21433305	KNEE PRESS LEVER		*		1
23	22934509	KNEE PAD PLATE COVER		*		1
24	22934400	KNEE PAD PLATE RUBBER		*		1
25	22934202	KNEE PAD PLATE		*		1
26	22934301	KNEE PAD PLATE SUPPORT		*		1
27	21433404	PRESSER LIFTER ARM	OPTIONAL PARTS			1
28	SM6051602TP	SCREW M5X0.8 L=16	OPTIONAL PARTS			1
29	21433503	PRESSER LIFTER PLATE	OPTIONAL PARTS			1
30	SM6051552TP	SCREW M5 L=15	OPTIONAL PARTS			2
31	B8131019000	CHAIN	OPTIONAL PARTS			1
32	13160304	S SHAPED HOOK	OPTIONAL PARTS			2

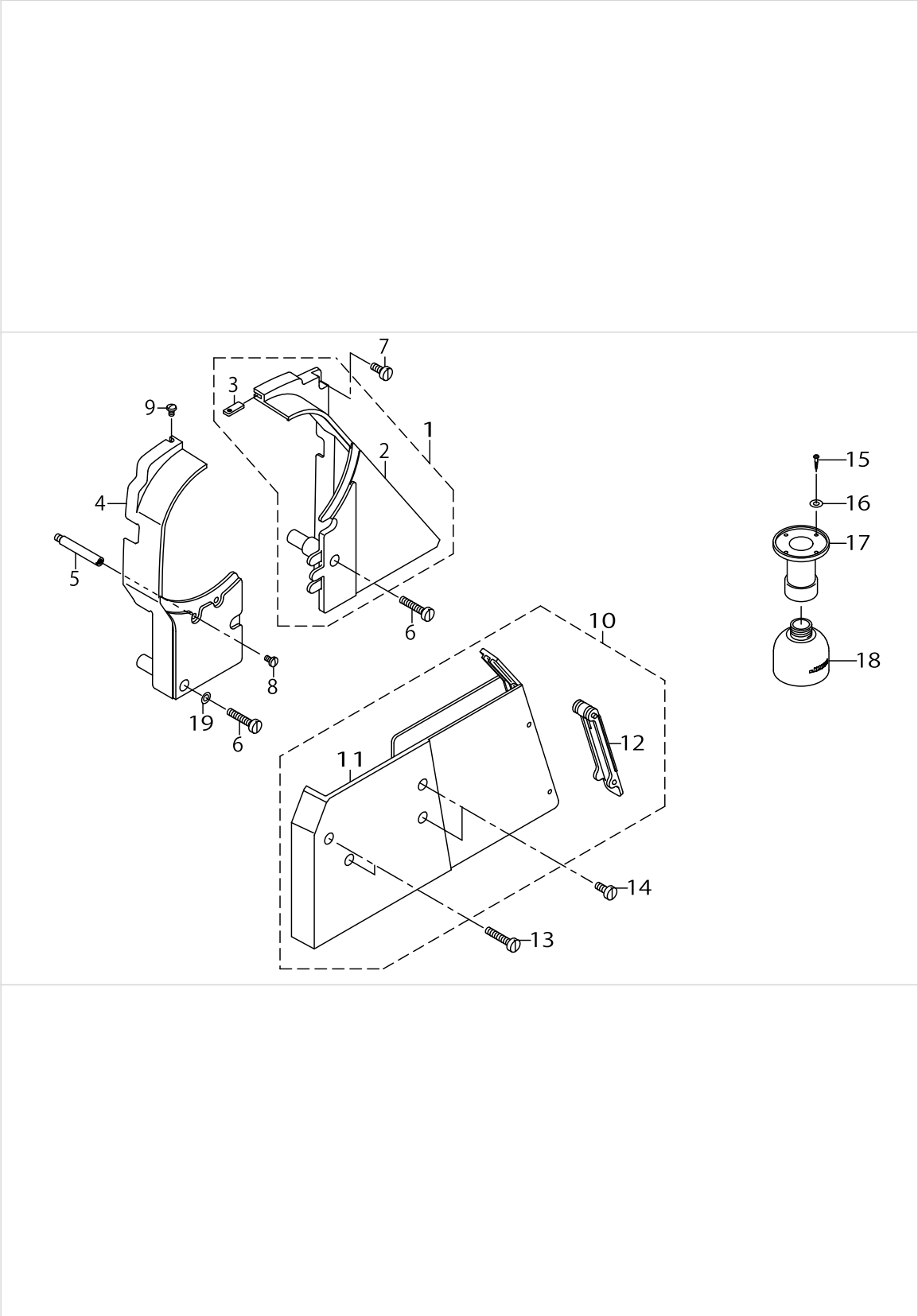
LUBRICATION COMPONENTS



LUBRICATION COMPONENTS

No.	Parts No.	Parts name	Remarks	Level	Cons	Qty
1	21345756	ARM ONCE THROUGH OIL FELT ASM.				1
2	21345707	ARM ONCE THROUGH FELT A		*		1
3	21345806	FELT B		*		1
4	21345905	FACE ONCE THROUGH FELT		*		1
5	21346358	FELT SUPPORT ASM.				1
6	21346309	FELT		*		1
7	21346507	FEED CHANGE FELT		*		1
8	21346408	FELT		*		1
9	EA9500B0000	CLIP CV-70S		*		2
10	SS6110480SP	SCREW 11/64-40 L=4.3				1
11	21340708	UPPER FEED OIL BAR PLATE				1
12	SS7110510SP	SCREW 11/64-40 L=5				1
13	CQ202000000	OIL WICK				0.25
14	21347000	TAKE-UP OIL PLATE				1
15	CQ202000000	OIL WICK				0.25
16	21347208	TAKE-UP LUBRICATION FELT				1
17	SS3090610SP	SCREW 9/64-40 L=6				1
18	21346002	FELT				1
19	B1412051000	FELT				1
20	CQ252000000	OIL WICK				0.3
21	BT0500300EA	OIL TUBE				0.25
22	21407507	OIL TANK A				1
23	21407606	OIL TANK B				1
24	21407705	FELT				2
25	SS6111010SP	SCREW 11/64-40 L=9.5				2
26	CQ202000000	OIL WICK				0.15
27	EA9500B0100	CABLE BAND				1
28	21433800	OIL TANK				1
29	B1203051000	OIL FELT				1
30	SS7110710SP	SCREW 11/64-40 L=7				2
31	SQ1110401MZ	CONNECTING SCREW				1
32	CQ202000000	OIL WICK				0.4
33	21346200	MUTUAL VERTICAL CHANGE FELT				1
34	21346101	LUBRICATION FELT PRESSER				1
35	SS7120760SP	SCREW 3/16-28 L=7.0				1

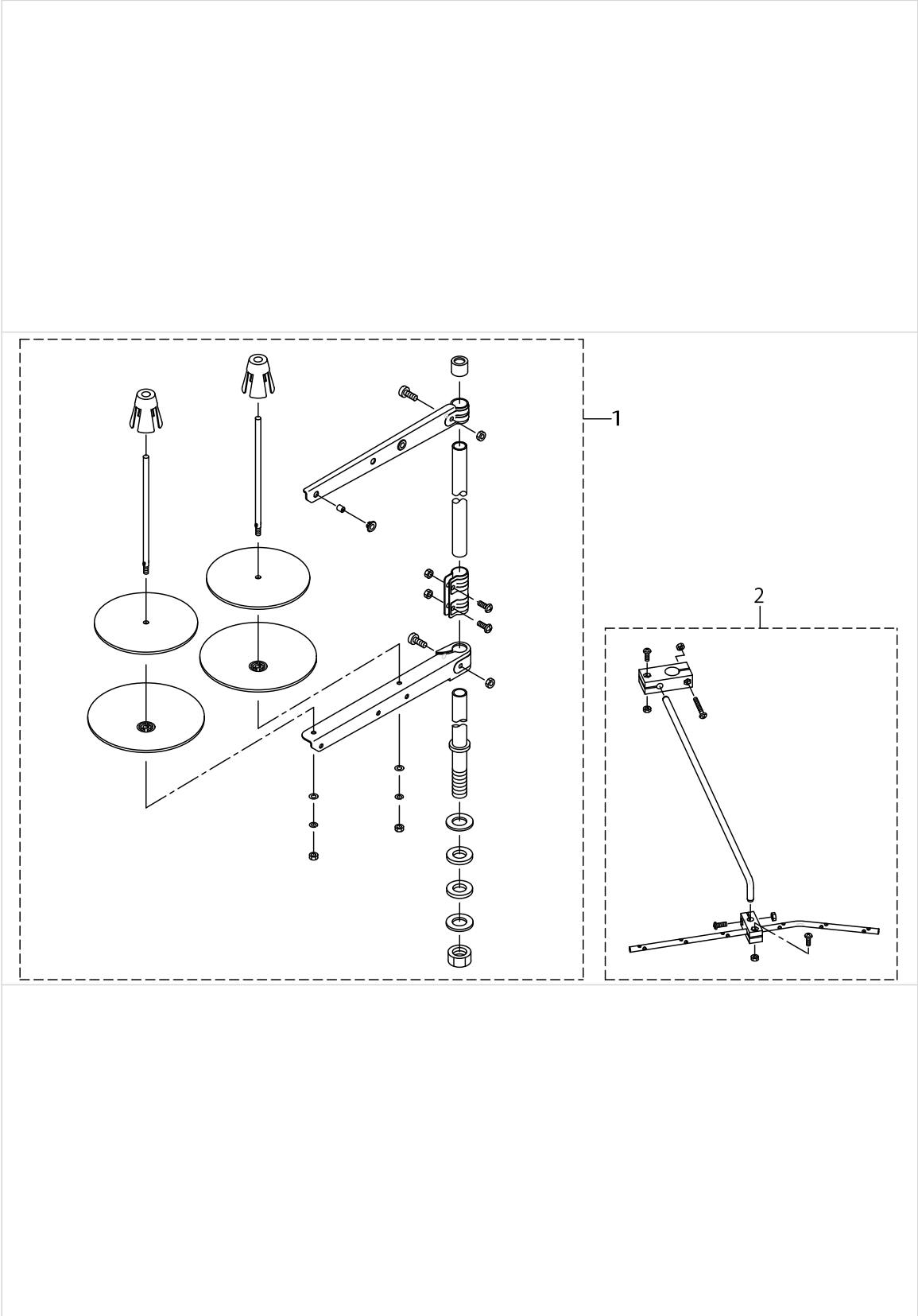
BELT COVER & OIL RESERVOIR COMPONENTS



BELT COVER & OIL RESERVOIR COMPONENTS

No.	Parts No.	Parts name	Remarks	Level	Cons	Qty
1	21351150	BELT COVER ASM. (RIGHT)				1
2	21351101	BELT COVER (RIGHT)		*		1
3	21351002	BELT COVER AUXILIARY PLATE		*		1
4	21351200	BELT COVER (LEFT)				1
5	D8232241E00	BELT COVER SUPPORT A				1
6	SS6153040SP	SCREW 15/64-28 L=30				2
7	SS6151440SP	SCREW 15/64-28 L=14				1
8	SS7110840SP	SCREW 11/64-40 L=7.8				1
9	SS5110740TP	SCREW 11/64-40 L= 6.5				1
10	21434451	BELT COVER ASM. LOWER				1
11	21434402	BELT COVER LOWER		*		1
12	21434501	BELT COVER COVER		*		1
13	SS6153040SP	SCREW 15/64-28 L=30				2
14	SS6151440SP	SCREW 15/64-28 L=14				2
15	SK3241601SC	WOOD SCREW D=2.4 L=16				4
16	WP0320501SC	WASHER M3				4
17	B8202205000	OIL MANAGEMENT				1
18	40025300	OIL POT				1
19	WP0612076SP	WASHER 6.1X11X2				1

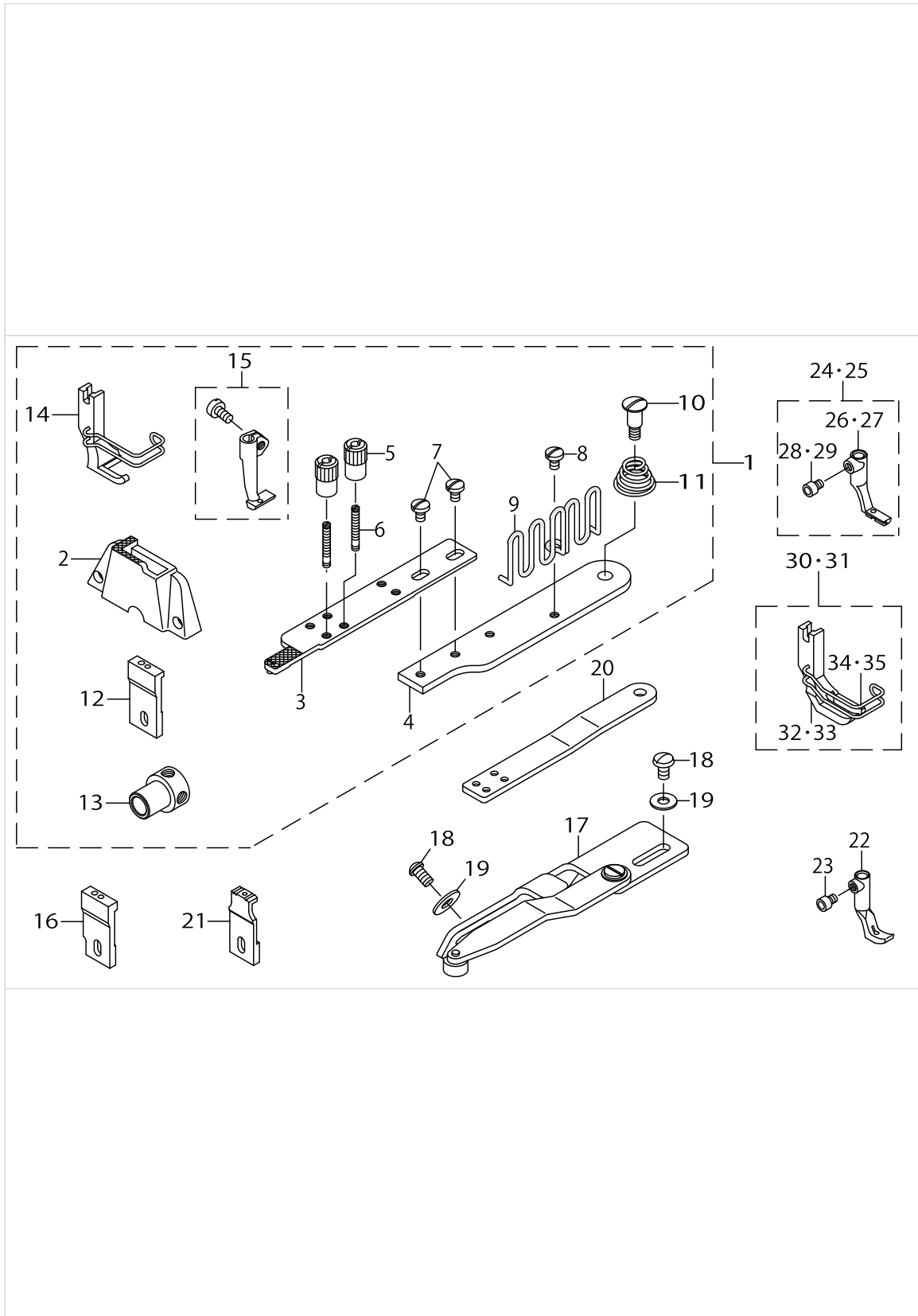
THREAD STAND COMPONENTS



THREAD STAND COMPONENTS

No.	Parts No.	Parts name	Remarks	Level	Cons	Qty
1	40096354	THREAD STAND ASM.				1
2	26910059	THREAD GUIDE ARM ASM.				1

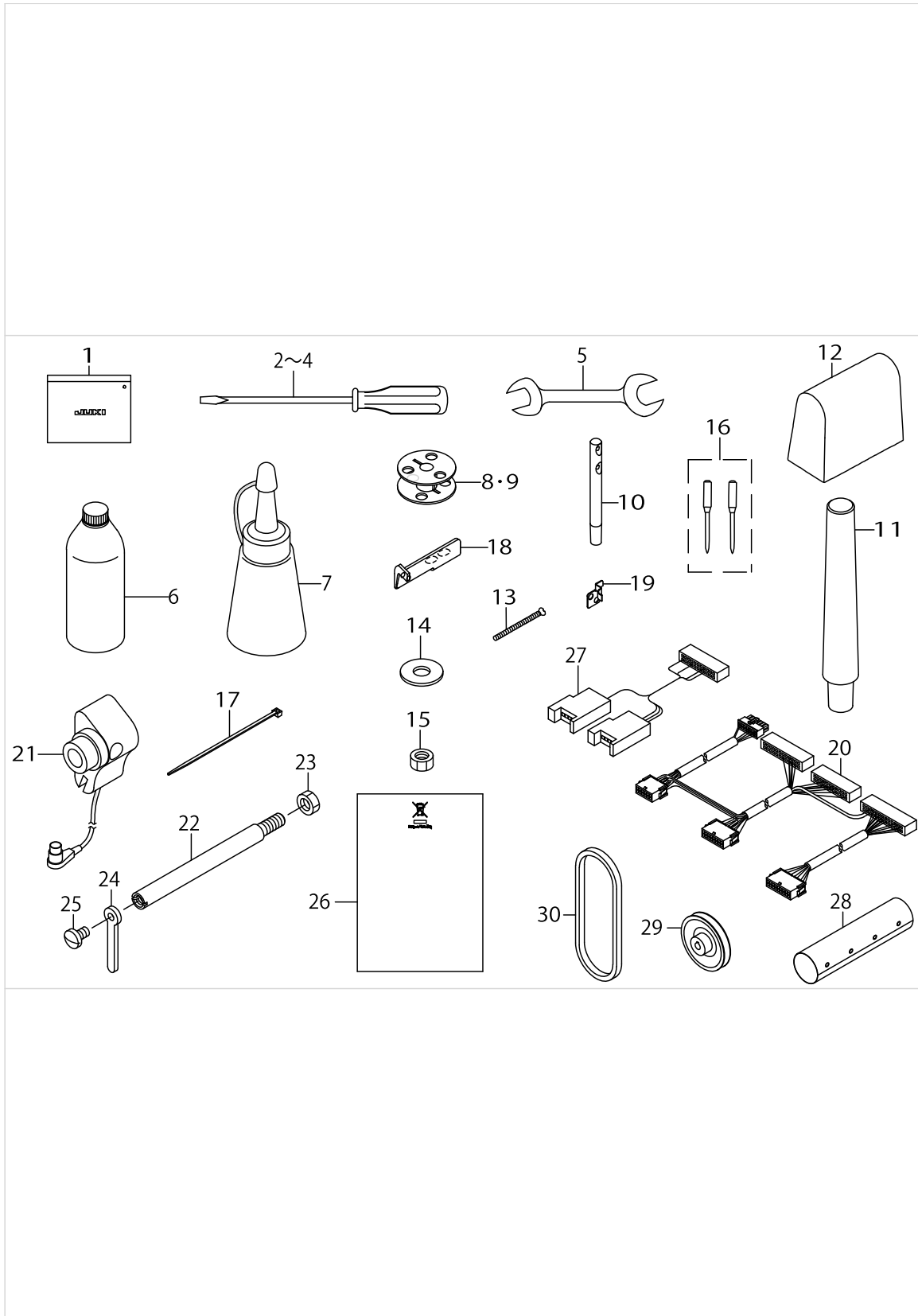
OPTION & GAUGE COMPONENTS



OPTION & GAUGE COMPONENTS

No.	Parts No.	Parts name	Remarks	Level	Cons	Qty
1	21434956	LS-1342 BINDER SET	FOR LS-1342			1
2	21427406	THROAT PLATE		*		1
3	MAQ14302000	FEED PLATE A ASM.		*		1
4	MAQ14303000	FEED PLATE B		*		1
5	MAQ09205000	BINDER LOCK NUT		*		2
6	MAQ09204000	BINDER SETSCREW		*		2
7	SS7110510SP	SCREW 11/64-40 L=5		*		2
8	SS7110510SP	SCREW 11/64-40 L=5		*		1
9	MAQ09206000	TAPE GUIDE		*		1
10	SD0721112SN	HINGE SCREW D=7.24 H=11.1		*		1
11	21232004	SPRING		*		1
12	MAQ14306000	FEED		*		1
13	21445200	VERTICAL FEE CAM		*		1
14	21445150	PRESSER FOOT ASM.		*		1
15	21445051	PRESSER FOOT ASM.		*		1
16	21225404	FEED	FOR LS-1342			1
17	B91013400A0	EDGE GUIDE ASM.				1
18	MAM22709000	SCREW				2
19	WP0551016SH	WASHER 5.5X13X1				2
20	B9104340000	FIXING BINDER FITTING PLATE.				1
21	21445507	FEED DOG				1
22	21445408	PRESSER FOOT				1
23	SM6040552TP	SCREW M4 L=4.5				1
24	21445853	INNER PRESSER 3/16 ASM.	OPTIONAL PARTS			1
25	21445952	WELDING INNER PRESSER 1/4 ASM.	OPTIONAL PARTS			1
26	21445804	WELDING INNER PRESSER 3/16		*		1
27	21445903	WELDING INNER PRESSER 1/4		*		1
28	SM6040552TP	SCREW M4 L=4.5		*		1
29	SM6040552TP	SCREW M4 L=4.5		*		1
30	21446158	OUTER PRESSER 3/16 ASM.	OPTIONAL PARTS			1
31	21446059	WELDING OUTER PRESSER 1/4 ASM.	OPTIONAL PARTS			1
32	21446109	WELDING OUTER PRESSER 3/16		*		1
33	21446000	WELDING OUTER PRESSER 1/4		*		1
34	23034002	FINGER GUARD		*		1
35	23034002	FINGER GUARD		*		1

ACCESSORIES PARTS COMPONENTS



ACCESSORIES PARTS COMPONENTS

No.	Parts No.	Parts name	Remarks	Level	Cons	Qty
1	22932800	ACCESSORIE BAG				1
2	22933006	SCREW DRIVER LARGE				1
3	22933105	SCREW DRIVER MIDDLE				1
4	22933204	SCREW DRIVER SMALL				1
5	B9113012000	WRENCH (9X10)				1
6	MDFRX2700C0	NEW DEFRIX OIL NO.2(700CC)				1
7	J1067000000	OILER				1
8	B9117201000	BOBBIN	FOR LS-1342			1
9	10759603	ALUMINUM BOBBIN (DOUBLE-CUT)	FOR LS-1342-7			1
10	22958300	NEEDLE THREAD GUIDE PIN	FOR LS-1342			1
11	B820424500A	FRAME SUPPORT BAR				1
12	40048536	HEAD_COVER				1
13	B9130245000	BOLT				4
14	WP0751576SD	WASHER 7.5X19X1.5				4
15	NM6060001SD	NUT M6				4
16	M13517B1602	NEEDLE 135X17 #160-2				1
17	EA9500B0100	CABLE BAND	FOR LS-1342-7			3
18	21440102	FIXING KNIFE	FOR LS-1342-7			1
19	21440201	CLAMP PLATE	FOR LS-1342-7			1
20	40101742	RELAY CORD ASM.	FOR LS-1342-7			1
21	40026920	SYNCHRONIZER ASM	FOR LS-1342			1
22	D7101245E00	SYNCHRONIZER HOLDER STUD	FOR LS-1342			1
23	NS6150430SP	NUT 15/64-28	FOR LS-1342			1
24	B9109246000	DETECTOR SUPPORT PLATE	FOR LS-1342			1
25	SS7110710SP	SCREW 11/64-40 L=7	FOR LS-1342			1
26	CM600100201	WEEE INFORMATION SHEET				1
27	40105868	CONVERSION CORD ASM.	FOR LS-1342			1
28	40102736	BUTTON TUBE	FOR LS-1342-7			0.35
29	MTSP00800B0	MOTOR PULLEY ASM. 80	FOR LS-1342-7			1
30	MTJVH00530A	V BELT 53INCH	FOR LS-1342-7			1

LIST FOR INFORMATION OF CHANGE

As to the place changed, refer to the corresponding Rev.No.
 When previous parts(Obsolete part) and new parts(Added parts) are
 not interchangeable with each other:
 In this case, even obsolete parts(D.) can be ordered with the
 obsolete part number, so select the parts with changed dates and
 place your orders.

変更箇所は、該当Rev.No.版をご参照ください。
 部品の互換性がない変更の場合は、削除された品番でも、ご注文できます。

29351301
 No.1314-11・・・Rev.No.

*A: Added parts追加部品 / D: Obsolete parts削除部品 / E: Erratum訂正

* Rev. No.	Page 頁	Ref. No.	Parts No. 品番	*	Rev. No.	Page 頁	Ref. No.	Parts No. 品番
D 10	2	3	400-19114	A 11	2	3	401-52631	
D 10	3	19	213-36557					
D 10	3	20	213-36508	A 11	3	20	401-97296	
D 10	8	21	213-87402					
D 10	8	72	213-36706					
D 10	21	27	EA-9500B00-00	A 11	21	27	EA-9500B01-00	
D 10	25	1	B9101-552-000	A 11	25	1	229-32800	

HOW TO MAKE USE OF THIS PARTS LIST

1.Explanation of codes

1)"*"mark.....means this part is changed from the previous parts book.

As to the details of the change, refer to the "List for information of change".

2)"#01".....refer to "Note" explanation at bottom of page.

2.Codes on the "Qty" column

• Each numeral indicates the number of parts required.

• "0.1" and "2.5" indicate the length (in meters) of the respective parts.

3.Parentheses mean that the corresponding part is a subpart that constructs an assembly part.

4.Dotted lines on the Figures indicate assembly parts.

1."注記"欄の記号説明

1) "*"印.....前回のパーツブックに比較して今回変更された部品を意味します。

変更内容は、"変更情報リスト"を参照してください。

2) "#01".....ページ下の"注記"の説明を参照してください。

2.数量欄の数字は、個数を表し、0.1、2.5等の数値は、長さ（単位メートル）を表します。

3.数量欄の（ ）は、組部品を構成している子部品であることを意味します。

4.イラストページの-----枠は、組構成であることを意味します。

NUMERICAL INDEX OF PARTS

PART NO	PAGE	REF NO.	PART NO	PAGE	REF NO.	PART NO	PAGE	REF NO.
10124204	36	13	21331301	2	4	21346200	42	33
10201200	4	74	21331608	2	18	21346309	42	6
10205201	16	16	21331806	4	78	21346358	42	5
10320109	36	3	21332002	2	13	21346408	42	8
10321107	36	24~26	21332309	2	16	21346507	42	7
10502300	38	21	21332507	6	12	21347000	42	14
10503605	22	53	21332705	6	1	21347109	10	13
10509701	10	22	21333000	6	2	21347208	42	16
10604809	6	19	21333109	6	17	21348206	36	24~26
10618304	38	8	21333505	20	46·60	21348503	26	6
10622009	2	8·68	21334008	6	37	21348602	26	4
10704807	38	19	21336300	18	75	21348701	26	8
10713501	12	75	21336607	18	68	21348909	2	12
10713600	12	84	21336656	18	67	21349105	26	22
10713758	12	83	21337308	18	54	21351002	44	3
10713808	14	97	21337605	18	56	21351101	44	2
10714202	12	70	21337803	12	49	21351150	44	1
10714608	12	85	21337803	18	48	21351200	44	4
10715100	12	60	21337902	18	52	21353008	6	22
10715308	12	66	21338207	18	73	21355706	38	24
10715704	12	62	21338603	8	16	21355755	38	23
10716504	12	76	21338702	8	14	21355904	2	6
10718203	12	69	21338801	8	19	21356001	38	6
10722908	20	19	21338900	8	18	21356308	34	11
10723104	20	20	21339106	6	9	21356407	34	12
10741106	36	14	21339304	8	23	21356506	34	3
10759603	22	62·83	21339502	6	15	21356704	34	9
10759603	50	8·9	21339601	12	71	21356803	34	7
10774305	12	58	21339700	12	73·94	21357959	38	3
10774354	12	57	21339809	12	79	21357967	38	1
10774404	12	59	21340005	12	87	21358205	38	9
13138201	36	8	21340302	12	90	21363106	30	3
13160304	40	32	21340401	10	1	21378302	10	5
13515606	26	16	21340500	10	2	21378708	38	29
14512503	38	17	21340708	42	11	21387402	6	24
17912106	2	26	21340906	10	42	21388004	16	21
21048707	12	88	21341151	10	46	21388509	34	6
21048707	16	17	21341508	12	68	21402102	6	3
21220413	4	49	21341607	12	65	21402300	6	27
21223409	20	37	21345707	42	2	21405204	8	2
21223508	20	40	21345756	42	1	21405709	40	8
21225404	48	16	21345806	42	3	21406103	12	48
21227301	22	82·85	21345905	42	4	21406509	10	28
21231204	22	32·68	21346002	42	18	21406608	12	92
21232004	48	11	21346101	42	34	21407200	18	81

NUMERICAL INDEX OF PARTS

PART NO	PAGE	REF NO.	PART NO	PAGE	REF NO.	PART NO	PAGE	REF NO.
21407309	18	85	21433305	40	22	21440508	24	19
21407408	16	45	21433354	40	20	21440607	24	36
21407507	42	22	21433404	40	27	21441050	36	2
21407606	42	23	21433503	40	29	21441100	36	17
21407705	42	24	21433800	42	28	21441209	30	7
21426309	4	66	21434402	44	11	21441308	30	8
21426408	4	67	21434451	44	10	21441407	30	1
21426507	4	65	21434501	44	12	21441605	22	46·60
21426606	2	47	21434956	48	1	21441753	20	16·17
21426705	2	33	21435102	16	1	21441803	20	18
21426754	2	32	21435458	20	16·17	21442207	20	6
21426853	2	36	21435508	20	28	21442306	20	8
21426903	2	35	21435656	20	29	21442405	20	9
21427000	6	31	21435706	20	31	21442603	28	3
21427059	6	30	21435854	20	1·2	21442702	28	4
21427109	6	26	21435953	20	3	21442900	28	6
21427208	20	45	21437009	4	50	21443007	28	7
21427307	20	43	21437108	4	77	21443106	28	8
21427406	48	2	21437207	2	9	21443205	28	9
21427604	16	30	21437306	4	76	21443809	28	10
21427703	16	35	21437405	4	70	21444500	12	51
21428305	16	38	21437702	20	32·68	21444559	12	50
21428404	16	41	21438007	8	12	21444609	12	55
21428503	16	40	21438106	32	15	21444658	12	54
21429006	16	7	21438205	12	73·94	21444708	12	56
21429105	16	11	21438403	32	3	21445051	48	15
21429204	16	18	21438502	32	5	21445150	48	14
21429402	20	33	21438601	32	8	21445200	48	13
21429600	16	20	21438700	32	10	21445408	48	22
21429709	16	14	21439005	24	1	21445507	48	21
21430004	8	27	21439104	24	9	21445804	48	26·27
21430053	8	26	21439203	24	11	21445853	48	24·25
21430103	8	29	21439302	24	14	21445903	48	26·27
21430202	18	59	21439401	24	17	21445952	48	24·25
21430301	18	61	21439500	24	18	21446000	48	32·33
21430400	16	22	21439609	24	21	21446059	48	30·31
21431200	22	86	21439708	24	23	21446109	48	32·33
21431457	20	1·2	21439807	24	25	21446158	48	30·31
21432505	40	16	21439906	24	27	22537658	38	2
21432604	40	10	21440003	24	30	22538151	38	4
21432703	40	3	21440102	24	38	22538706	38	32
21432851	40	1	21440102	50	18	22603112	2	22
21433008	40	5	21440201	24	40	22604904	6	40
21433107	40	7	21440201	50	19	22605406	6	4
21433206	40	14	21440300	24	42	22606206	6	43

NUMERICAL INDEX OF PARTS

PART NO	PAGE	REF NO.	PART NO	PAGE	REF NO.	PART NO	PAGE	REF NO.
22617906	36	9	23102601	22	63·84	40090530	22	70
22618201	36	7	23102700	20	41	40090727	16	47
22619100	4	75	23102809	20	26	40091242	16	27
22656003	26	14	23104201	24	3	40091243	16	3
22656102	26	12	23636202	38	5	40091244	16	25
22814008	20	23	26225201	10	29	40091245	16	26
22814909	8	25	26910059	46	2	40091248	16	23
22901805	2	45	40016798	2	1	40091250	16	5
22904106	10	7	40018339	10	16	40091254	16	6
22904155	10	6	40018340	14	96	40091315	16	9
22907604	10	43	40018341	10	23	40091899	22	73·74
22911804	18	63	40019926	18	57	40091908	22	71·72
22912000	18	65	40023289	26	17	40094670	4	57
22912109	18	66	40024852	10	33	40094671	4	56
22921308	36	12	40024855	6	39	40095001	4	58
22921407	36	11	40025035	34	20	40096354	46	1
22932404	40	18	40025036	34	18	40101742	50	20
22932453	40	17	40025300	44	18	40102061	28	5
22932800	50	1	40026920	50	21	40102062	28	1
22933006	50	2~4	40027746	8	24	40102064	28	35
22933105	50	2~4	40029246	22	75·76	40102066	28	34
22933204	50	2~4	40029248	22	75·76	40102736	50	28
22934202	40	25	40029250	22	73·74	40103197	28	14
22934301	40	26	40029253	22	71·72	40103198	28	16
22934400	40	24	40033026	10	12	40103925	36	1
22934509	40	23	40033027	10	11	40105868	50	27
22934707	40	19	40033029	10	19	40107618	28	30
22945505	36	15	40033031	10	40	40107949	10	31
22945505	38	27	40033032	10	39	40108542	12	61
22945703	36	16	40033033	10	24	40108674	2	20
22945703	38	30	40038711	18	84	40113092	38	28
22951552	4	69	40038712	18	50	40113224	22	51
22952501	26	18	40038722	28	27	40152631	2	3
22958300	50	10	40038723	28	29	40197296	6	20
23002009	8	1	40039326	10	4	A407855000A	16	19
23006406	36	24~26	40039838	2	24	B1116246000	4	62
23026008	20	30	40039839	2	25	B1117246000	4	60
23026404	20	24	40048536	50	12	B1132521000	2	27
23026701	20	22	40049415	10	38	B1148555000	38	11
23026800	20	21	40062388	30	5	B1203051000	42	29
23027402	20	27	40075553	12	81	B1203512000	6	29
23034002	48	34·35	40081969	18	83	B1210051000	6	10
23100506	4	48	40081970	18	80	B1214019000	20	47
23102205	22	82·85	40090318	4	52	B1301340000	20	35
23102403	20	25	40090323	4	54	B1305055000A	22	48

NUMERICAL INDEX OF PARTS

PART NO	PAGE	REF NO.	PART NO	PAGE	REF NO.	PART NO	PAGE	REF NO.
B1307055000	22	49	B3205210000	38	10	GAK29010000	28	37
B1308055000	22	50	B3416552000	12	77	GAKA1503000	28	38
B1310055000	22	52	B8131019000	40	31	GAKA2302A00	28	17
B1314055000	22	54	B8202205000	44	17	GAKA2302C00	28	36
B1401246000	8	5	B820424500A	50	11	HK034610120	24	7
B1410771000	8	21	B91013400A0	48	17	HK034610180	28	40
B1411057000	8	9	B9104340000	48	20	HK03464000A	28	39
B14110570A0	8	6	B9109246000	50	24	HK03464000B	24	6
B1412051000	8	8	B9113012000	50	5	HK03464000B	30	6
B1412051000	42	19	B9117201000	22	62·83	HX00123000A	4	82
B1414232000	8	22	B9117201000	50	8·9	HX002950000	26	23
B1414555000	10	21	B9130245000	50	13	HX002950000	28	44
B1418552A00	8	31	BT0500300EA	22	59	HX00295000A	28	45
B1418761000	18	69	BT0500300EA	42	21	HX00295000A	34	15
B1462053000	10	47	BT0600401EB	28	43	HX00295000B	28	41
B14670530A0	10	25	CM300200001	2	44	HX00295000B	34	16
B1468053000	10	26	CM300200001	34	17	HX00295000C	28	42
B1501141H00	10	37	CM301300001	2	42	HX00295000C	32	14
B1502246000	10	44	CM600100201	50	26	HX00354000N	28	11
B152652700G	12	63	CQ202000000	6	18	J1067000000	50	7
B152989000CA	38	7	CQ202000000	18	70	M13517B1600	8	11
B1607246000	16	31	CQ202000000	22	87	M13517B1602	50	16
B1639051000	20	39	CQ202000000	42	32	M40071100AA	6	33
B1803246000	22	90	CQ252000000	10	35	M40071100AB	6	34
B1806038000	16	36	CQ252000000	42	20	MAM22709000	48	18
B1820246000	22	77~81	CQ3000000F0	10	15	MAQ09204000	48	6
B182024600A	22	77~81	CQ303000000	6	7	MAQ09205000	48	5
B182024600B	22	77~81	CQ505000000	6	11	MAQ09206000	48	9
B182024600C	22	77~81	CS0950816SH	24	8	MAQ14302000	48	3
B182024600D	22	77~81	CS1111019SH	16	33	MAQ14303000	48	4
B1826246000	22	65	CS111101CSH	16	32	MAQ14306000	48	12
B1827246000	22	64	CS1201010SH	18	76	MAT80230T00	34	22
B1836246000A	22	88	CS1201011SH	18	77	MAT80231T00	34	21
B185351200AA	24	31~35	D2112555B00	4	80	MAT80232T00	34	25
B185351200BA	24	31~35	D3162555B00	36	21	MDFRX2700C0	50	6
B185351200CA	24	31~35	D3162555B00	38	25	MTJVH00530A	50	30
B185351200D	24	31~35	D7101245E00	50	22	MTSP00800B0	50	29
B185351200E	24	31~35	D8232241E00	44	5	NM6030001SC	28	12
B1906051000	6	6	EA9500B0000	10	14	NM6030003SC	2	34
B3013141H0B	4	61	EA9500B0000	42	9	NM6040001SN	30	10
B3125012000	36	6	EA9500B0100	8	30	NM6050001SD	40	13
B3128520000	36	4	EA9500B0100	10	36	NM6060001SD	50	15
B3129526000	36	10	EA9500B0100	42	27	NM6060003SC	26	5
B31370510A0	36	5	EA9500B0100	50	17	NM6080001SE	34	4
B3138512000	2	30	GAK29009000	28	31	NM6080721SE	32	4

NUMERICAL INDEX OF PARTS

PART NO	PAGE	REF NO.	PART NO	PAGE	REF NO.	PART NO	PAGE	REF NO.
NM7040062SB	30	11	SD0800481SP	10	45	SS4110815SP	2	81
NS6110310SP	36	20	SD0900701TP	16	13	SS4110815SP	4	81
NS6110310SP	38	26	SD1000801SH	18	74	SS4110815SP	32	11
NS6150430SP	26	10	SK3241601SC	44	15	SS4111215SP	2	2
NS6150430SP	50	23	SK3385001SE	34	13	SS4120615SP	26	15
NS6660430SP	16	29	SK3415001SE	28	25	SS4150915SP	2	43
PA320150200	26	1	SK3482501SE	28	26	SS5090610SP	2	21
PA320200100	32	1	SL4030631SC	28	2	SS5110710SP	2	39
PA400150100	34	1	SL4040881SC	10	34	SS5110740TP	44	9
PF0552170A0	28	28	SM1050801SR	12	72	SS6060220SP	24	41
PJ301065104	26	20	SM4030601SC	2	37	SS6090520SP	4	71
PJ304065101	32	12	SM4061001SB	28	33	SS6090520SP	38	16
PJ304065101	34	10	SM6040552TP	12	52	SS6090620TP	24	39
PS0200102KH	16	4	SM6040552TP	48	28·29	SS6090620TP	38	22
PS0200102KH	20	38	SM6040602TP	24	4	SS6091022TP	8	17
PS0400222K0	40	6	SM6040800SP	38	31	SS6110480SP	24	37
PS0600502KP	36	22	SM6044002TP	32	2	SS6110480SP	42	10
PX015101000	26	21	SM6051002TP	34	8	SS6110610TP	16	24
PX015101000	32	13	SM6051202TP	22	61·69	SS6110630TP	12	64
RC0560711KP	38	12	SM6051402TP	12	67	SS6110710TP	24	10
RE0500000K0	12	78	SM6051552TP	40	30	SS6110810TP	38	18
RE0500000K0	38	13	SM6051602TP	40	28	SS6111010SP	42	25
RE0800000K0	12	89	SM6052002TP	12	91	SS6111140SP	4	79
RE0900000K0	18	79	SM6052002TP	40	11	SS6111210SP	6	36
RO092270200	18	64	SM6061602TP	26	2	SS6111610SP	18	58
RO092270200	38	14	SM6061802TP	18	60	SS6111610SP	32	9
SD0380551SL	2	28	SM6062502TP	40	2	SS6120930TP	18	72
SD0470281SP	36	19	SM6081552TP	4	64	SS6121210SP	24	29
SD0600321SP	24	16	SM6082002TP	34	2	SS6121210SP	40	15
SD0600352SP	24	15	SM8040402TP	4	55	SS6121220TP	16	8
SD0600403TP	32	6	SM8050402TP	16	15	SS6121610TP	16	39
SD0600452TP	24	12	SM8050602TP	12	86	SS6121850TP	16	12
SD0600454TP	32	7	SM8050602TP	38	20	SS6121860SP	18	62
SD0640322TP	22	57	SM8050612TP	18	71	SS6151040SP	24	2
SD0640451TP	24	28	SM8052502TP	40	12	SS6151040SP	34	14
SD0640631TP	24	26	SM8060602TP	6	28	SS6151210SP	24	22
SD0720331SP	34	5	SM8080802TP	8	20	SS6151220SP	34	23
SD0721112SN	48	10	SM8080812TP	6	14	SS6151440SP	44	14
SD0790451SP	24	13	SM9061203SE	40	21	SS6151780SP	10	27
SD0790451SP	40	4	SQ1110401MZ	42	31	SS6151920SP	10	30
SD0790701SP	16	28	SS1092810SP	22	66	SS6152440SP	8	28
SD0800352SP	4	63	SS2090520SL	2	46	SS6153040SP	44	13
SD0800352SP	26	11	SS2090710TP	2	29	SS6661110SP	6	25
SD0800402TP	18	55	SS3090610SP	42	17	SS6661110SP	22	55
SD0800402TP	26	9	SS4080620TP	36	18	SS7080510TP	8	10

NUMERICAL INDEX OF PARTS

PART NO	PAGE	REF NO.	PART NO	PAGE	REF NO.
SS7090520TP	2	31	SS8150710SP	10	32
SS7090910SP	8	7	SS8150710SP	20	36
SS7090910TP	18	53	SS8150710TP	6	41
SS7091110TP	14	95	SS8150710TP	20	44
SS7091110TP	22	67	SS8150822TP	6	38
SS7091410SP	38	15	SS8150822TP	18	49
SS7110410SP	4	59	SS8151150TP	8	3
SS7110510SP	10	20	SS8660610TP	10	8
SS7110510SP	42	12	SS8660610TP	16	78
SS7110510SP	48	8	SS8660610TP	18	78
SS7110570SP	30	4	SS8660612TP	10	3
SS7110710SL	34	26	SS8660612TP	20	89
SS7110710SP	6	23	SS8660612TP	22	89
SS7110710SP	18	51	SS8660612TP	24	43
SS7110710SP	42	30	SS8660810TP	6	21
SS7110710SP	50	25	SS8660810TP	12	82
SS7110830SP	8	15	SS9152130CP	16	43
SS7110830SP	12	80	TA0550604R0	2	38
SS7110840SP	16	2	TA0550604R0	10	10
SS7110840SP	28	13	TA0750404R0	2	11
SS7110840SP	44	8	TA0750704R0	6	42
SS7110910TP	8	13	TA1100604R0	2	41
SS7110910TP	10	41	TA1250504R0	2	8-68
SS7110910TP	16	46	TA1250504R0	4	8-68
SS7110910TP	30	2	WP0320501SC	44	16
SS7110910TP	36	23	WP0450801SD	6	35
SS7111120TP	12	74	WP0480856SP	34	19
SS7111410SP	34	24	WP0482086SD	30	13
SS7111810SP	26	19	WP0501046SC	10	18
SS7112810SP	4	51	WP0501046SC	30	12
SS7113110SP	4	53	WP0551016SH	48	19
SS7120760SP	26	13	WP0612076SP	44	19
SS7120760SP	42	35	WP0621016SH	16	42
SS7150740SP	12	93	WP0641601SD	26	3
SS7150910TP	2	19	WP0751576SD	50	14
SS7151210SP	26	7	WT0530002KS	4	73
SS7621040SP	2	7			
SS8090540SP	22	58			
SS8110410TP	22	91			
SS8110410TP	24	20			
SS8110422TP	16	44			
SS8110422TP	24	24			
SS8110710SP	16	10			
SS8150432TH	20	42			
SS8150510TP	16	37			