

MODEL : LS-1340/LS-1341

List No : 1313-09

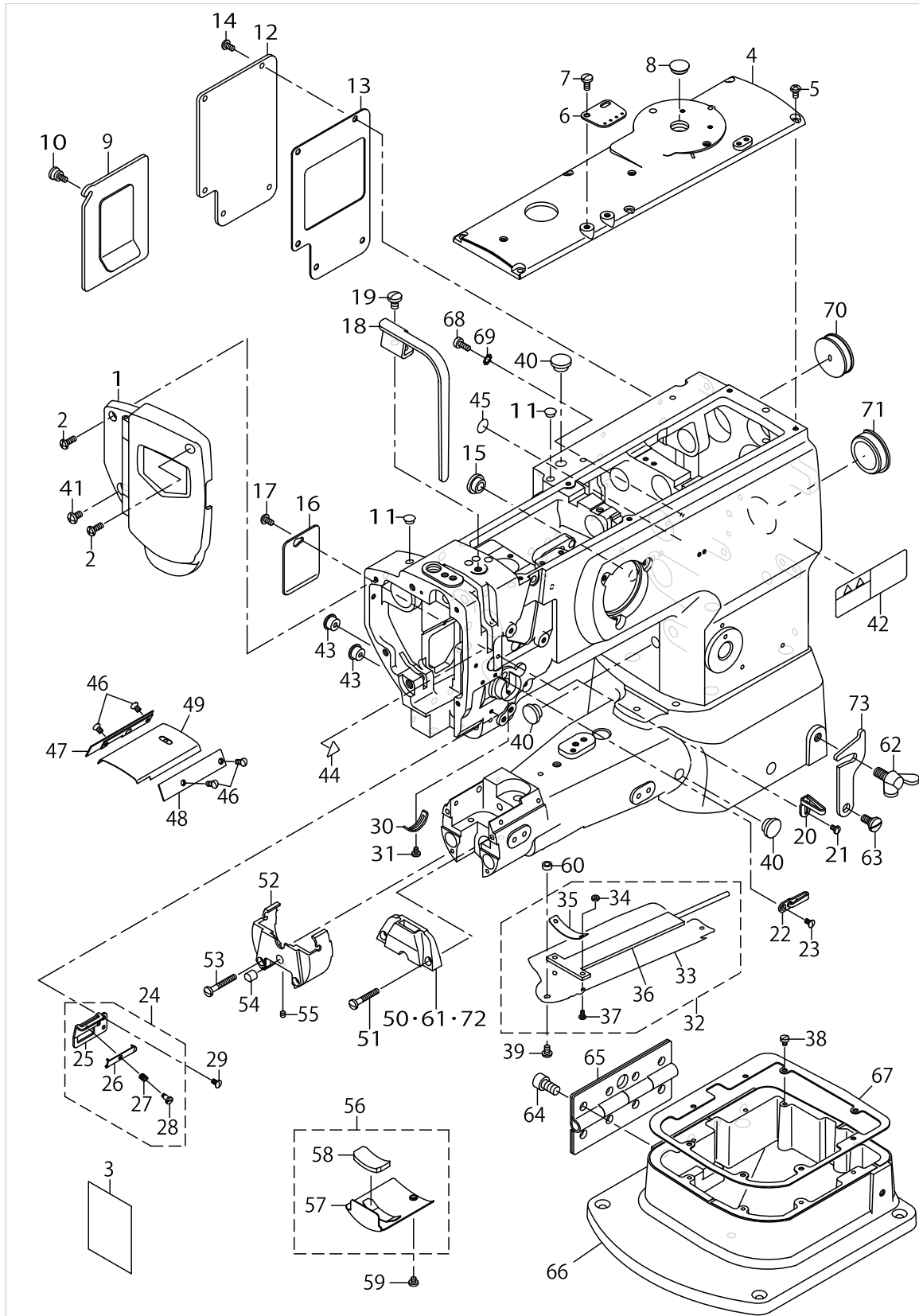
PARTS LIST

Published:11/30/2017

CONTENTS

FRAME & MISCELLANEOUS COVER COMPONENTS	1
UPPER SHAFT DRIVING & BALANCE COMPONENTS	5
NEEDLE BAR ROCKING COMPONENTS	7
PRESSURE ADJUSTING & UPPER FEED MECHANISM COMPONENTS	9
FEED MECHANISM COMPONENTS.....	13
HOOK SHAFT & LOWER SHAFT COMPONENTS	17
THREAD TENSION COMPONENTS (FOR LS-1340).....	21
THREAD TENSION COMPONENTS (FOR LS-1341).....	23
KNEE LIFTER COMPONENTS	25
LUBRICATION COMPONENTS	27
BELT COVER & OIL RESERVOIR COMPONENTS.....	29
LOWER THREAD WINDER MECHANISM COMPONENTS	31
THREAD STAND COMPONENTS.....	33
GAUGE COMPONENTS (OPTIONAL PARTS)	35
BINDER COMPONENTS.....	37
ACCESSORIES PARTS COMPONENTS	39
LIST FOR INFORMATION OF CHANGE.....	41
HOW TO MAKE USE OF THIS PARTS LIST	42

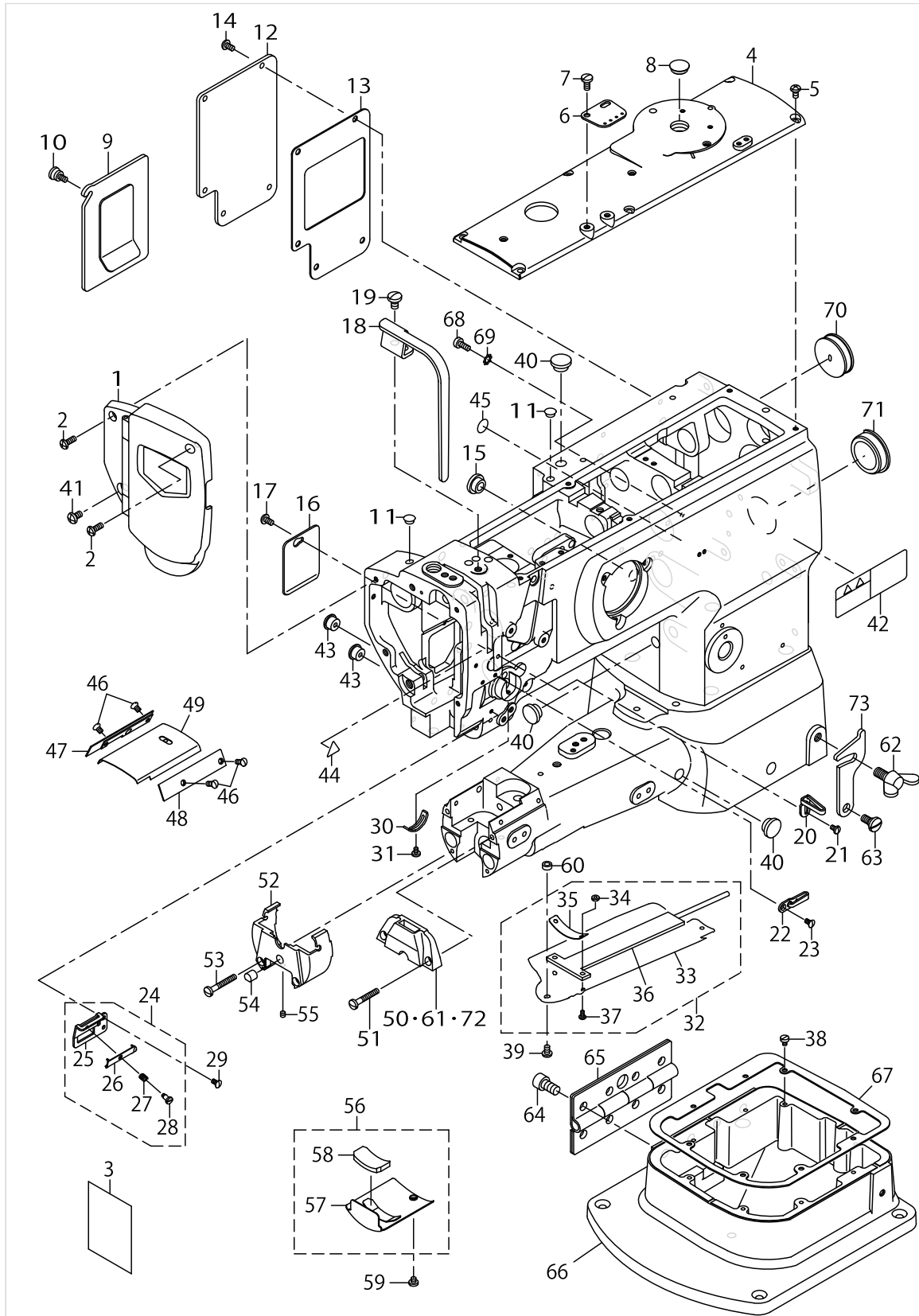
FRAME & MISCELLANEOUS COVER COMPONENTS



FRAME & MISCELLANEOUS COVER COMPONENTS

No.	Parts No.	Parts name	Remarks	Level	Cons	Qty
1	40016798	FACE PLATE ASM.				1
2	SS4111215SP	SCREW 11/64-40 L=12				2
3	40152631	LUBRICATION SUPPLEMENT				1
4	21331301	TOP COVER B				1
5	SS4110815SP	SCREW 11/64-40 L=8				6
6	21355904	ARM THREAD GUIDE				1
7	SS7621040SP	SCREW 3/16-32 L= 9.5				2
8	TA1450404R0	RUBBER PLUG D=14.5 L=4				1
9	21331756	WINDOW PLATE A ASM.				1
10	21331202	SETSCREW				1
11	TA0750404R0	PLUG D=7.5 L=3.5				2
12	21331806	WINDOW PLATE B				1
13	21332002	WINDOW PLATE PACKING B				1
14	SS4110815SP	SCREW 11/64-40 L=8				5
15	TA1250504R0	RUBBER PLUG				2
16	21332309	SIDE COVER				1
17	SS4110815SP	SCREW 11/64-40 L=8				1
18	21331608	BALANCE COVER				1
19	SS7150910TP	SCREW 15/64-28 L=9				1
20	40108674	THREAD GUIDE				1
21	SS5090610SP	SCREW 9/64-40 L=6				1
22	22603112	THREAD GUIDE				1
23	SS2090710TP	SCREW 9/64-40 L=7.2				1
24	40039838	THREAD GUIDE ASM.				1
25	40039839	THREAD GUIDE PLATE		*		1
26	17912106	NEEDLE THREAD PRESSER PLATE		*		1
27	B1132521000	THREAD PRESSER PLATE SPRING		*		1
28	SD0380551SL	HINGE SCREW D= 3.80 H= 5.5		*		1
29	SS2090710TP	SCREW 9/64-40 L=7.2				1
30	B3138512000	TAKE-UP SPRING ADJUSTING PLATE				1
31	SS7090520TP	SCREW 9/64-40 L= 4.5				1
32	21426754	SYLINDER COVER ASM.				1
33	21426705	SYLINDER COVER		*		1
34	NM6030003SC	NUT M3		*		2
35	21426903	FELT PRESSER PLATE		*		1
36	21426853	SYLINDER COVER FELT ASM.		*		1
37	SM4030601SC	SCREW M3 X 6		*		2
38	TA0550604R0	RUBBER PLUG				1
39	SS5110710SP	SCREW 11/64-40 L=7				1
40	TA1250504R0	RUBBER PLUG				3
41	SS4150915SP	SCREW 15/64-28 L=9				1
42	CM301300001	SAFETY LABEL				1
43	TA1100604R0	PLUG				2
44	CM300200001	ATTENTION SEAL				1
45	22901805	GROUND MARK				1
46	SS2090520SL	SCREW 9/64-40 L=5				4
47	21426606	BED SLIDE SIDE PLATE , LEFT				1

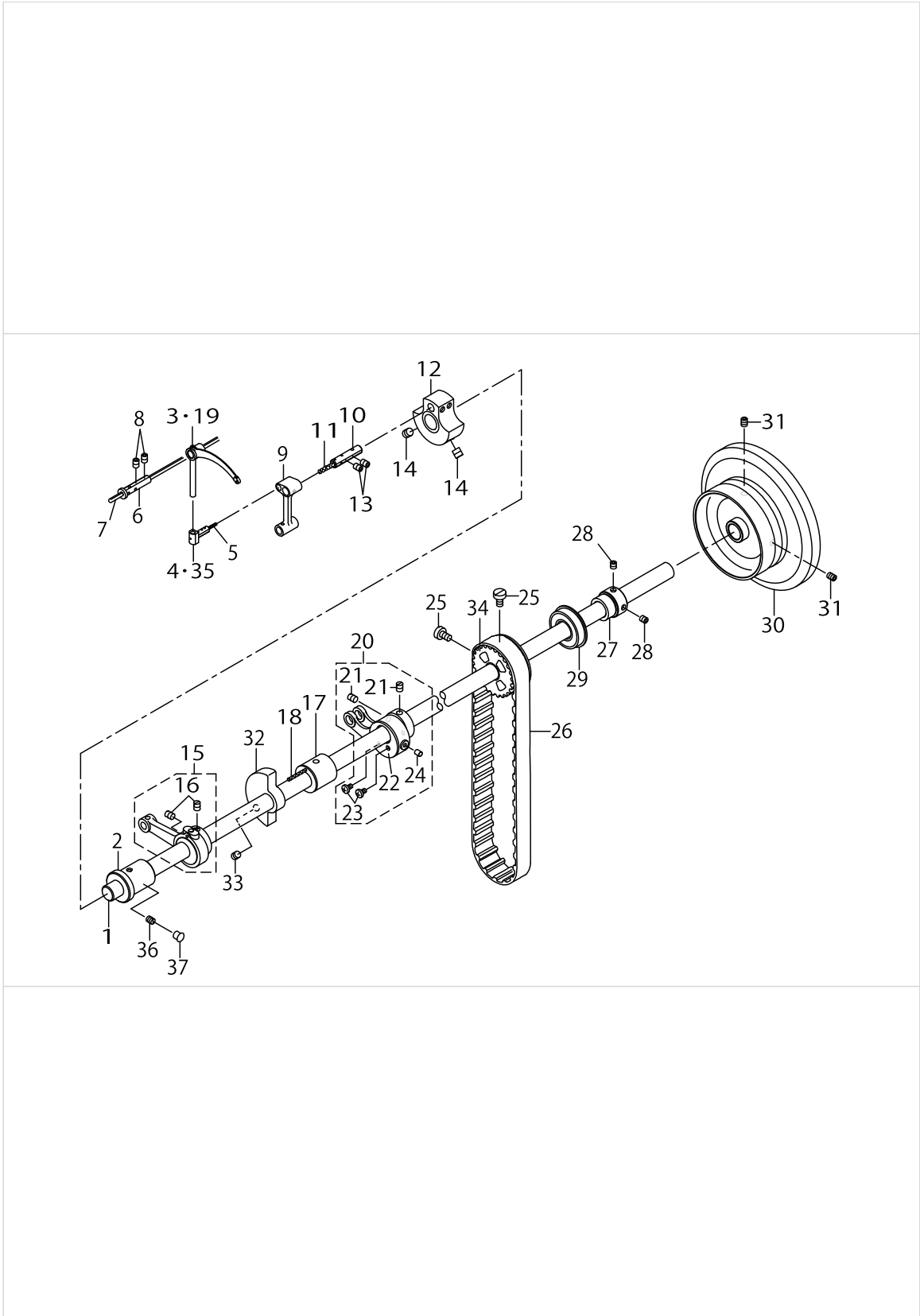
FRAME & MISCELLANEOUS COVER COMPONENTS



FRAME & MISCELLANEOUS COVER COMPONENTS

No.	Parts No.	Parts name	Remarks	Level	Cons	Qty
48	23100506	BED SLIDE SIDE PLATE , RIGHT				1
49	21220413	BED PLATE				1
50	21221908	THOAT PLATE	OPTIONAL PARTS (FOR LS-1341)			1
51	SS7112810SP	SCREW 11/64-40 L=28				2
52	40090318	THROAT PLATE BASE				1
53	SS7113110SP	SCREW 1/64-40 L=30				2
54	40090323	FEED BASE SUPPORT				1
55	SM8040402TP	SCREW M4X0.7 L=4				1
56	40094671	THROAT PLATE BASE COVER ASM.				1
57	40094670	THROAT PLATE BASE COVER COMPL.		*		1
58	40095001	THROAT PLATE BASE COVER FELT		*		1
59	SS7110410SP	SCREW 11/64-40 L=4				1
60	B3013141H0B	WASHER				1
61	40092676	THOAT PLATE	FOR LS-1341			1
62	B1116246000	WING BOLT				1
63	SD0800352SP	HINGE SCREW D= 8 H= 3.5				1
64	SM6081552TP	SCREW M8 L=15				8
65	21426507	HINGE				1
66	21426309	BED HOLDING BASE				1
67	21426408	BED HOLDING BASE PACKING				1
68	SS6111140SP	SCREW 11/64-40 L=11				1
69	WT0530002KS	TOOTHED WASHER D=5.3				1
70	10201200	RUBBER PLUG				1
71	22619100	CAP				1
72	B1105340000	THROAT PLATE	FOR LS-1340			1
73	B1117246000	HOOK				1

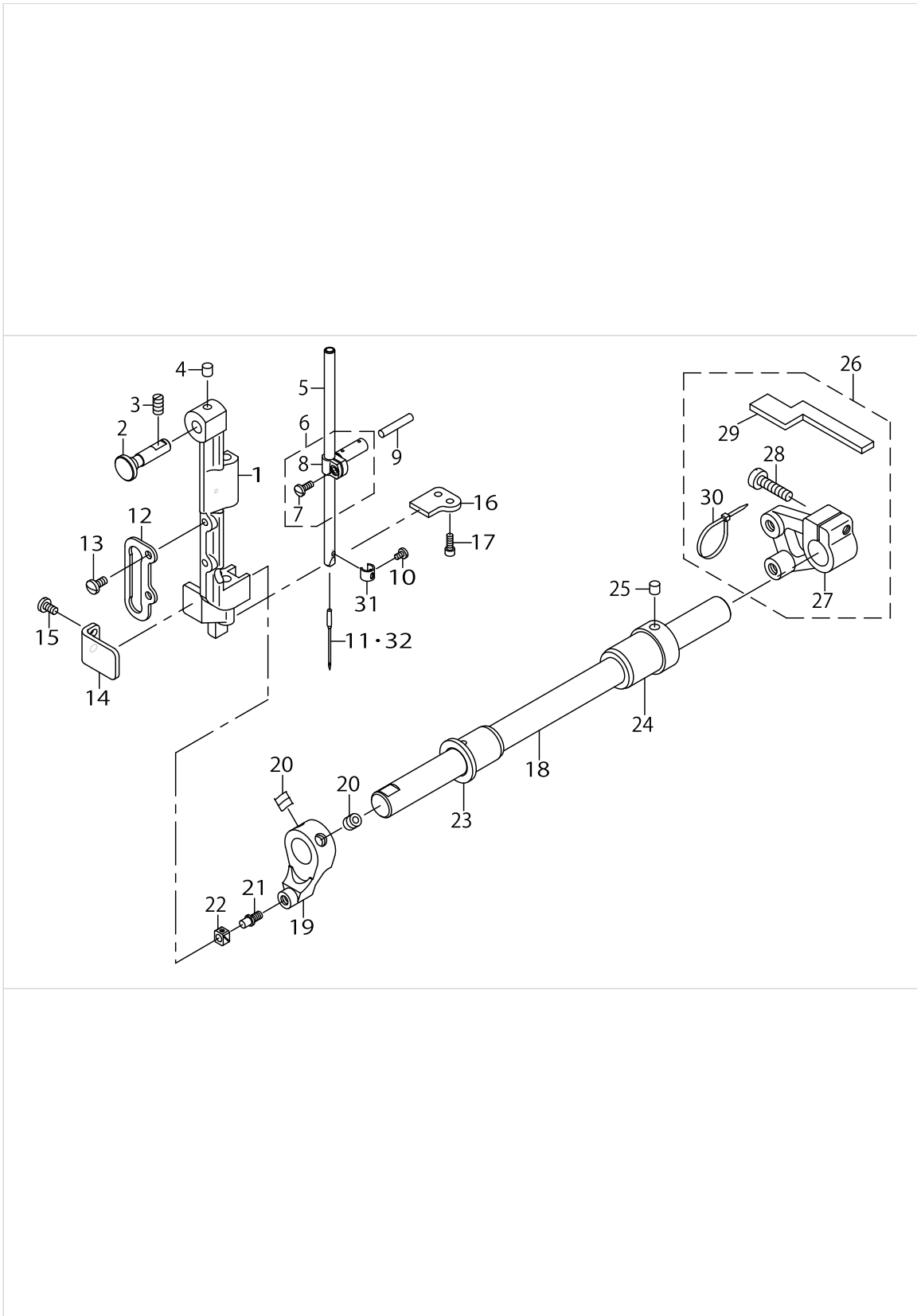
UPPER SHAFT DRIVING & BALANCE COMPONENTS



UPPER SHAFT DRIVING & BALANCE COMPONENTS

No.	Parts No.	Parts name	Remarks	Level	Cons	Qty
1	21332705	UPPER SHAFT				1
2	21333000	UPPER SHAFT FRONT METAL				1
3	21402102	THREAD TAKE-UP LEVER	FOR LS-1341			1
4	22605406	TAKE-UP LEVER THRUST PIN	FOR LS-1341			1
5	CQ202000000	OIL WICK				0.03
6	B1906051000	TAKE-UP LEVER PIN				1
7	CQ303000000	OIL WICK				0.2
8	SS8150822TP	SCREW 15/64-28 L=8				2
9	21339106	NEEDLE BAR CRANK ROD				1
10	B1210051000	NEEDLE BAR CRANK PIN				1
11	CQ505000000	OIL WICK				0.03
12	21332507	COUNTER WEIGHT (A) (36MM)				1
13	SS8150822TP	SCREW 15/64-28 L=8				2
14	SM8080812TP	SCREW M8X8				2
15	40197297	UPPER_FEED_CAM_ASM				1
16	SS8660810TP	SCREW 1/4-40 L=8		*		2
17	21333109	UPPER SHAFT INNER METAL				1
18	CQ202000000	OIL WICK				0.25
19	B1905053000	THREAD TAKE-UP	FOR LS-1340			1
20	40197296	HORIZONTAL_FEED_ROD_ASM				1
21	SS8660810TP	SCREW 1/4-40 L=8		*		2
22	21353008	HORIZONTAL FEED CAM COVER		*		1
23	SS7110710SP	SCREW 11/64-40 L=7		*		2
24	21387402	FELT		*		1
25	SS6661110SP	SCREW 1/4-40 L=11				2
26	21427109	TIMING BELT				1
27	21402300	UPPER SHAFT BEARING HOOK				1
28	SM8060602TP	SCREW M6X6				2
29	B1203512000	BUSHING, REAR				1
30	21334008	FLYWHEEL				1
31	SS8150822TP	SCREW 15/64-28 L=8				2
32	21333406	BALANCER				1
33	SS8151550SP	SCREW 15/64-28 L=15				2
34	22604904	UPPER SPROCKET				1
35	B1907051000	TAKE-UP LEVER THRUST PIN	FOR LS-1340			1
36	SS8150710TP	SCREW 15/64-28 L=7				1
37	TA0750704R0	RUBBER PLUG				1

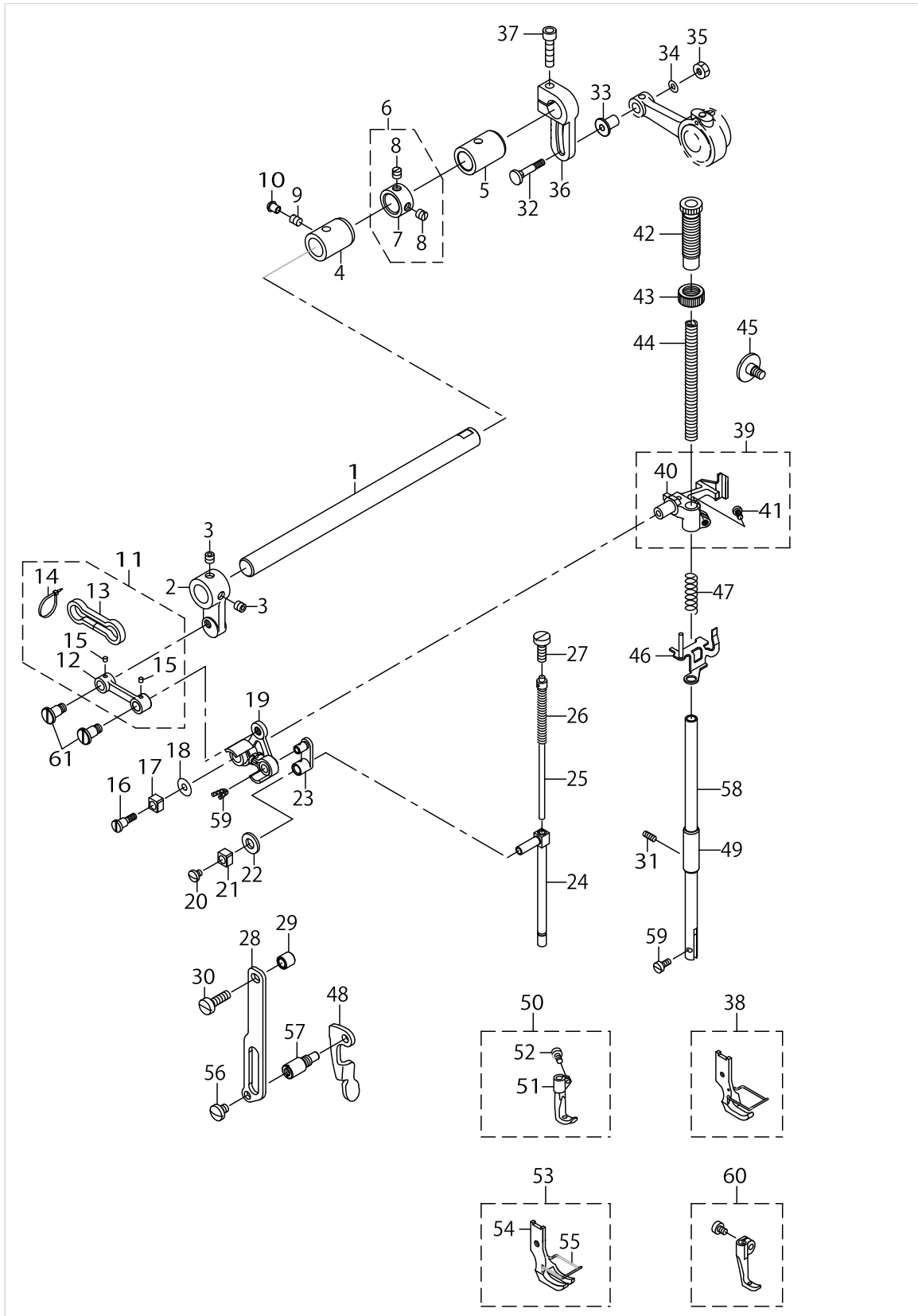
NEEDLE BAR ROCKING COMPONENTS



NEEDLE BAR ROCKING COMPONENTS

No.	Parts No.	Parts name	Remarks	Level	Cons	Qty
1	B1420563000	NEEDLE BAR FRAME				1
2	21405204	HINGE STUD				1
3	SS8151150TP	SCREW 15/64-28 L=10.5				1
4	22814909	FELT				1
5	40092246	NEEDLE BAR				1
6	B14110530A0	NEEDLE BAR CONNECTION ASM.				1
7	SS7090910SP	SCREW 9/64-40 L= 8.5		*		1
8	B1411053000	NEEDLE BAR CONNECTION		*		1
9	B1412051000	FELT				1
10	SS7080510TP	SCREW 1/8-44 L=4.5				1
11	M13517B1600	NEEDLE 135X17 #160	FOR LS-1341			1
12	B1467563000	UPPER FEED BAR GUIDE				1
13	SS7110910TP	SCREW 11/64-40 L= 8.5				2
14	21338702	ROCKING BASE GUIDE				1
15	SS7110830SP	SCREW 11/64-40 L= 7.5				2
16	21338603	ROCKING BASE GUIDE (B)				1
17	SS6091022TP	SCREW				2
18	21338900	ROCKING SHAFT				1
19	21338801	ROCKING FRONT ARM				1
20	SM8080802TP	SCREW				2
21	B1410771000	STUD				1
22	B1414232000	SQUARE BLOCK				1
23	21339304	ROCKING SHAFT FRONT METAL				1
24	40027746	BUSHING REAR				1
25	22814909	FELT				1
26	21430053	ROCKING REAR ARM ASM.				1
27	21430004	ROCKING REAR ARM		*		1
28	SS6152440SP	SCREW 15/64-28 L=23.5		*		1
29	21430103	ROCKING REAR ARM FELT		*		1
30	EA9500B0100	CABLE BAND		*		2
31	21338504	NEEDLE BAR THREAD RACK				1
32	M13517B1400	NEEDLE 135X17 #140	FOR LS-1340			1

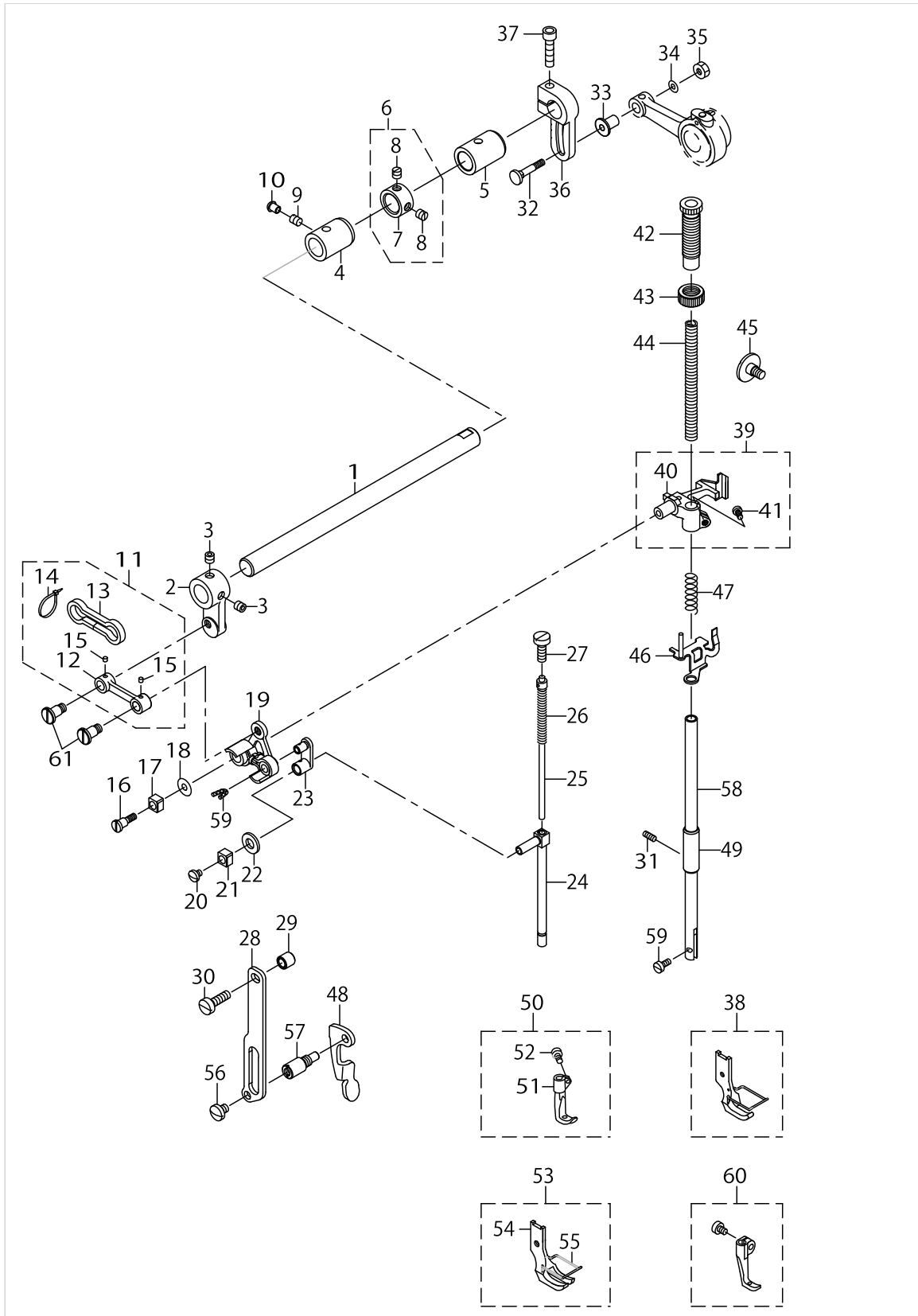
PRESSURE ADJUSTING & UPPER FEED MECHANISM COMPONENTS



PRESSURE ADJUSTING & UPPER FEED MECHANISM COMPONENTS

No.	Parts No.	Parts name	Remarks	Level	Cons	Qty
1	21340401	UPPER FEED SHAFT				1
2	21340500	UPPER FEED FRONT ARM				1
3	SS8660612TP	SCREW 1/4-40 L=6				2
4	40039326	FRONT METAL				1
5	21378302	FEED SHAFT METAL				1
6	22904155	MAIN SHAFT THRUST COLLAR ASM.				1
7	22904106	MAIN SHAFT THRUST COLLAR		*		1
8	SS8660610TP	SCREW 1/4-40 L=6		*		2
9	SS8150710SP	SCREW 15/64-28 L=7				1
10	TA0550604R0	RUBBER PLUG				1
11	40033027	UPPER FEED LINK ASM.				1
12	40033026	UPPER FEED LINK		*		1
13	21347109	FELT		*		1
14	EA9500B0000	CLIP CV-70S		*		2
15	CQ3000000F0	OIL FELT		*		2
16	40018339	SCREW				1
17	B1414555000	SLIDE BLOCK				1
18	WP0501046SC	WASHER 5 X 13 X 1				1
19	40033029	TRIANGULAR LEVER ASM.				1
20	SS7110510SP	SCREW 11/64-40 L=5				1
21	B1414555000	SLIDE BLOCK				1
22	10509701	FELT				1
23	40018341	WALKING BAR DRIVING LINK				1
24	40033030	WALKING BAR A				1
25	B14670530A0	WALKING BAR ASM.				1
26	B1468053000	WALKING BAR SPRING				1
27	SS6151780SP	SCREW 15/64-28 L=17.0				1
28	21406509	UPPER FEED GUIDE PLATE				1
29	26225201	ROLLER				1
30	SS6151920SP	SCREW 15/64-28 L=19.0				1
31	SS8111010TP	SCREW 11/64-40 L=9.5				1
32	D1456055B00	HINGE SCREW				1
33	D1455055B00	CONNECTING STUD				1
34	WP0482086SD	WASHER 4.8X11.5X2				1
35	NS6110530SP	NUT 11/64-40				1
36	21437900	UPPER FEED REAR ARM				1
37	SM6062502TP	SCREW M6 L=25				1
38	B1525563DA0	PRESSER FOOT ASM.	FOR LS-1340			1
39	40033032	PRESSER BAR HOLDER A ASM.				1
40	40033031	PRESSER BAR HOLDER A		*		1
41	SS7110910TP	SCREW 11/64-40 L= 8.5		*		1
42	21340906	PRESSER ADJUSTING SCREW				1
43	22907604	PRESSER SPRING REGULATOR NUT				1
44	B1502246000	PRESSER SPRING				1
45	SD0800481SP	HINGE SCREW D= 8 H= 4.9				1
46	21341151	THREAD RELEASE HOLDING PLATE				1
47	B1462053000	THREAD RELEASE SPRING				1

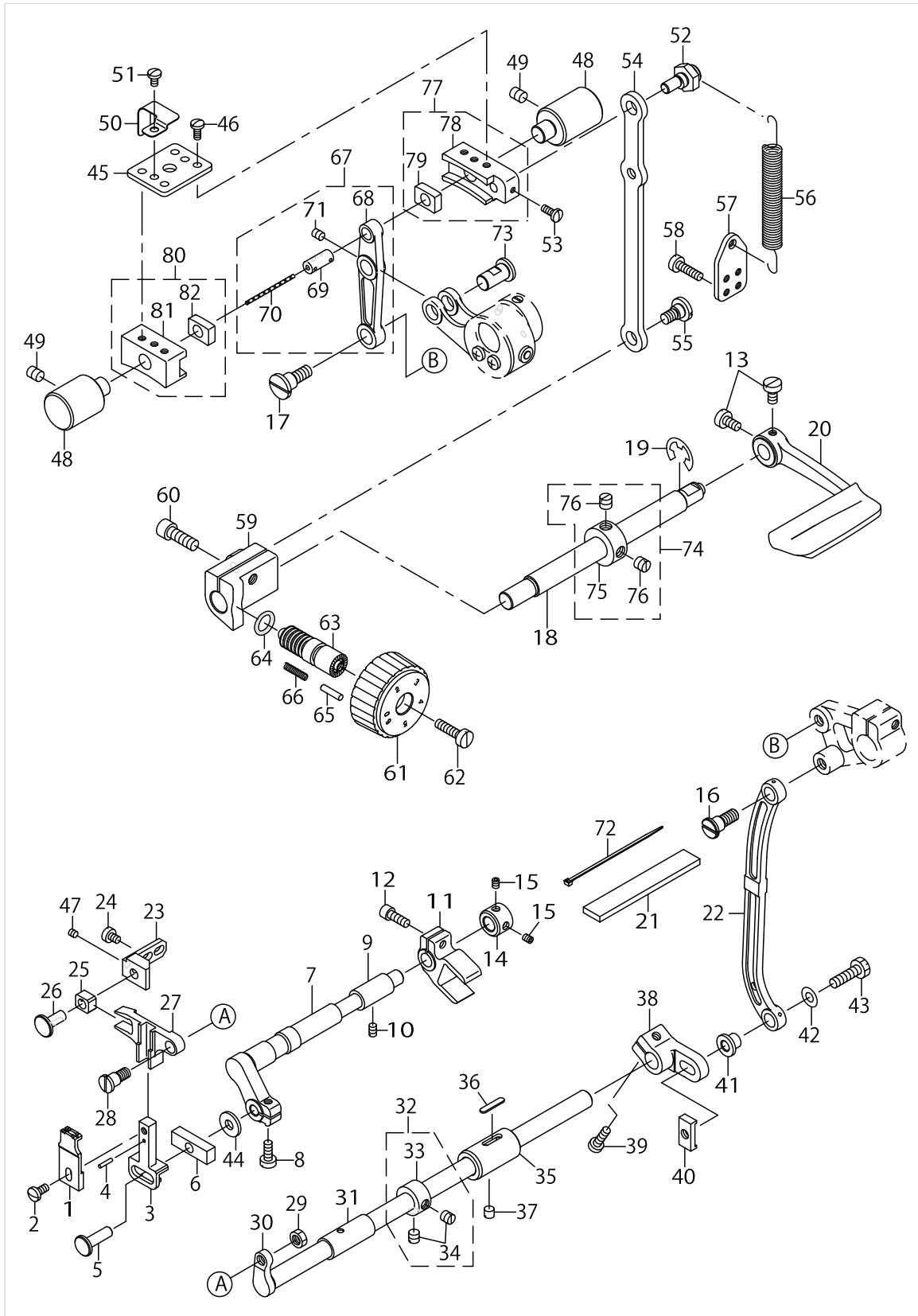
PRESSURE ADJUSTING & UPPER FEED MECHANISM COMPONENTS



PRESSURE ADJUSTING & UPPER FEED MECHANISM COMPONENTS

No.	Parts No.	Parts name	Remarks	Level	Cons	Qty
48	21406103	PRESSER LIFTER LEVER				1
49	B1510155000	PRESSER BAR LOWER BUSHING				1
50	B1470241HA0	WALKING FOOT ASM.	FOR LS-1341			1
51	B1470241H00	WALKING FOOT		*		1
52	B1471241H00	SCREW		*		1
53	B1525241HA0	PRESSER FOOT ASM.	FOR LS-1341			1
54	B1525241H00	PRESSER FOOT		*		1
55	10337905	FINGER GUARD		*		1
56	SS7150740SP	SCREW 15/64-28 L=7				1
57	21406608	GUIDE PLATE SPACER				1
58	B1501241H00	PRESSER BAR				1
59	SS6090910TP	SCREW 9/64-40 L=9				1
60	B14700530A0	WALKING FOOT ASM.	FOR LS-1340			1
61	40018340	SCREW				2

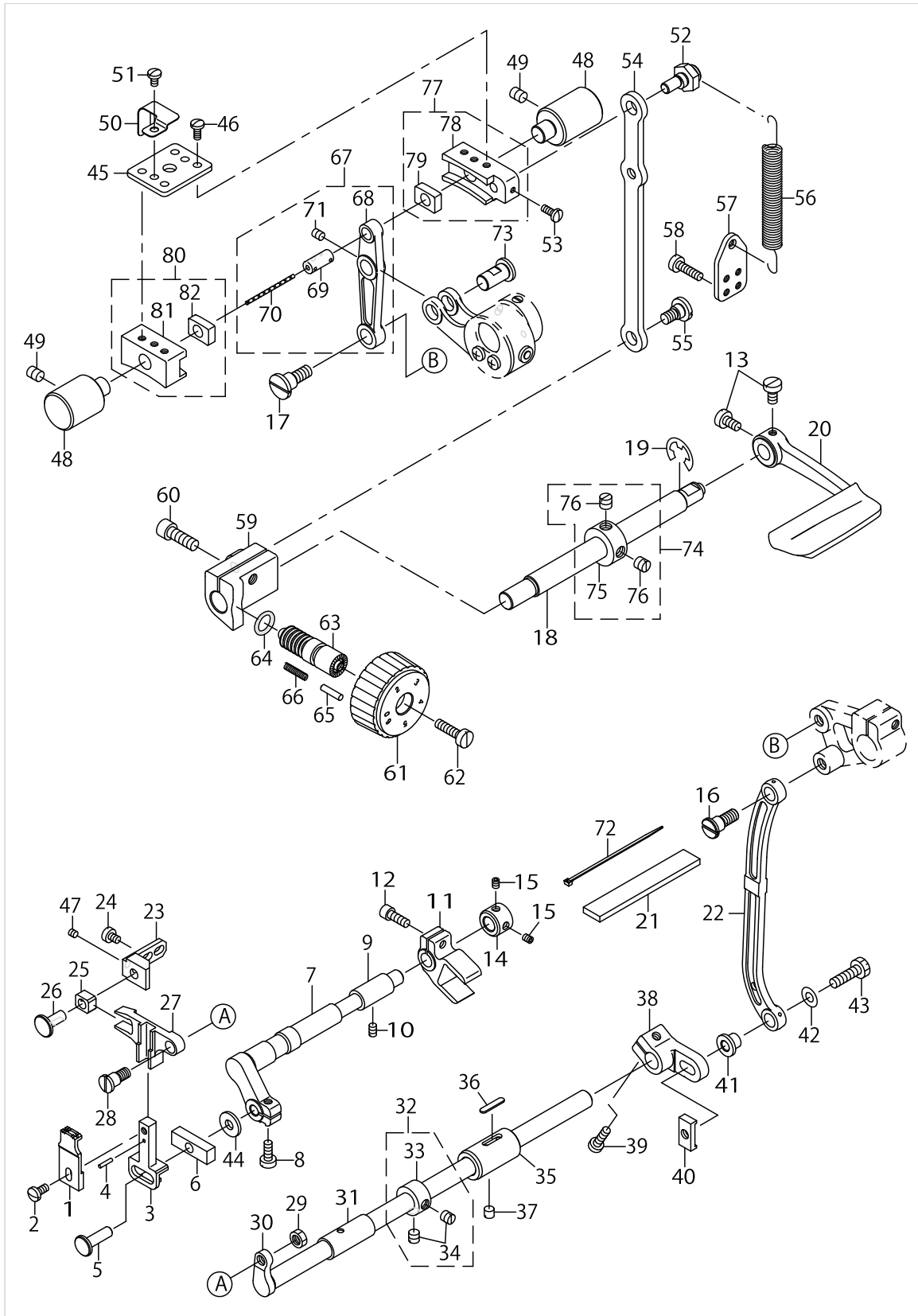
FEED MECHANISM COMPONENTS



FEED MECHANISM COMPONENTS

No.	Parts No.	Parts name	Remarks	Level	Cons	Qty
1	21435003	FEED DOG				1
2	SS7110840SP	SCREW 11/64-40 L=7.8				1
3	40091243	FEED BASE				1
4	PS0200102KH	SPRING PIN 2.0 X 10				1
5	40091250	FEED BASE PIN				1
6	40091254	FEED BASE SQUARE BLOCK				1
7	21429006	VERTICAL FEED SHAFT				1
8	SS6121220TP	SCREW 3/16-28 L=11.5				1
9	40091315	VERTICAL FEED SHAFT METAL				1
10	SS8110710SP	SCREW 11/64-40 L=6.5				1
11	21429808	VERTICAL FEED BRANCH				1
12	SM6051402TP	SCREW M5X0.8 L=14				1
13	SS6120930TP	SCREW 3/16-28 L=9				2
14	21429709	VERTICAL FEED THRUST COLLAR				1
15	SM8050402TP	SCREW				2
16	SD0900701TP	HINGE SCREW D= 9 H= 7				1
17	SD1000801SH	HINGE SCREW D=10 H=8				1
18	21336300	BACKWARD FEED LEVER SHAFT				1
19	RE0900000K0	E-RING 9				1
20	21388004	REVERSE FEED ROCK SHAFT				1
21	40019128	VERTICAL FEED BRANCH FELT				1
22	10205201	NEEDLE BAR FRAME ROD				1
23	40091248	HORIZONTAL FEED BASE SUPPORT				1
24	SS6110610TP	SCREW 11/64-40 L=6				2
25	40091244	SQUARE BLOCK				1
26	40091245	HORIZONTAL FEED BASE SUPPORT PIN				1
27	40091242	HORIZONTAL FEED BASE				1
28	SD0790701SP	HINGE SCREW D=7.94 H=7				1
29	NS6660430SP	NUT 1/4-40				1
30	21427604	HORIZONTAL FEED SHAFT				1
31	B1607246000	BUSHING, FRONT				1
32	CS111101CSH	THRUST COLLAR ASM.D=11.11 W=10				1
33	CS1111019SH	THRUST COLLAR D=11.11 W=10		*		1
34	SS8660610TP	SCREW 1/4-40 L=6		*		2
35	21427703	HORIZONTAL FEED SHAFT D				1
36	B1806038000	OIL FELT				1
37	SS8150510TP	SCREW 15/64-28 L= 4.7				1
38	21428305	HORIZONTAL FEED ARM				1
39	SS6121610TP	SCREW 3/16-28 L=15.5				1
40	21428503	HORIZONTAL FEED ARM STOPPER				1
41	21428404	HORIZONTAL FEED ARM ROD				1
42	WP0621016SH	WASHER				1
43	SS9152130CP	SCREW 15/64-28 L=20.5				1
44	40090727	WASHER				1
45	21407408	FITTING PLATE				2
46	SS7110910TP	SCREW 11/64-40 L= 8.5				4
47	SS8110422TP	SCREW 11/64-40 L=4				2

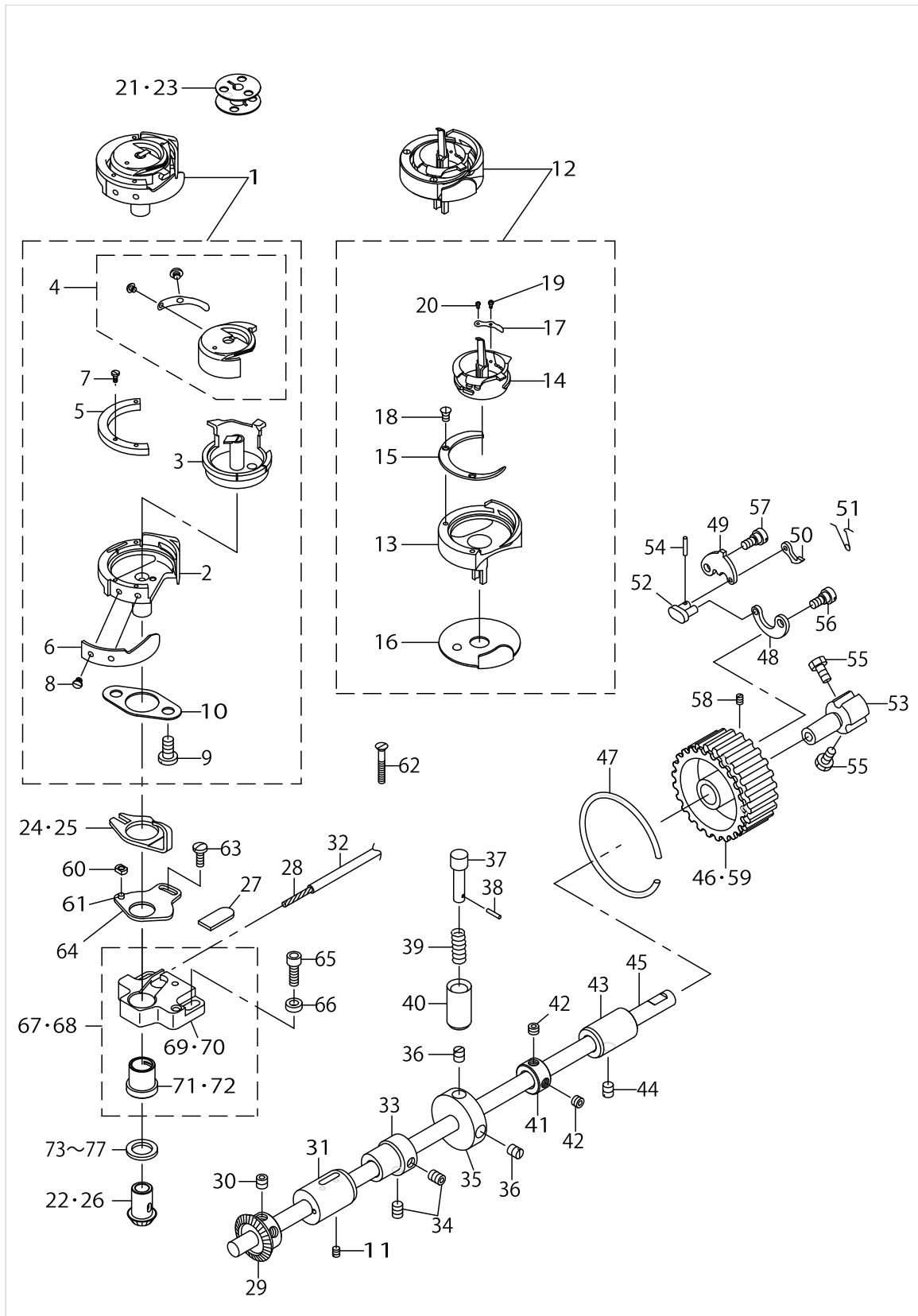
FEED MECHANISM COMPONENTS



FEED MECHANISM COMPONENTS

No.	Parts No.	Parts name	Remarks	Level	Cons	Qty
48	21337803	FEED ADJUSTING BASE SUPPORT				2
49	SS8150822TP	SCREW 15/64-28 L=8				2
50	40038712	FELT HOLDER				1
51	SS7110710SP	SCREW 11/64-40 L=7				2
52	21337902	ECCENTRIC PIN				1
53	SS7090910TP	SCREW 9/64-40 L= 8.5				2
54	21337308	FEED ADJUSTING ROD				1
55	SD0800402TP	HINGE SCREW D= 8 H=4				1
56	21337605	SPRING				1
57	40019926	SPRING HOOK				1
58	SS6111610SP	SCREW 11/64-40 L=16				2
59	21430202	FEED ADJUSTING				1
60	SM6061802TP	SCREW M6 L=18				1
61	21430301	FEED ADJUSTING DIAL				1
62	SS6121860SP	SCREW 3/16-28 L=18				1
63	22911804	FEED REGULATOR SCREW				1
64	RO092270200	RUBBER RING				1
65	22912000	FEED REGULATOR PIN				1
66	22912109	FEED REGULATOR PIN SPRING				1
67	21336656	FEED LINK ASM.				1
68	21336607	FEED LINK		*		1
69	B1418761000	CONNECTING FORKED LINK PIN		*		1
70	CQ202000000	OIL WICK		*		0.04
71	SM8050612TP	SCREW M5X6		*		1
72	EA9500B0100	CABLE BAND				2
73	21338207	FEED LINK PIN				1
74	CS1201010SH	THRUST COLLAR ASM. D=12 W=10				1
75	CS1201011SH	THRUST COLLAR D=12 W=10		*		1
76	SS8660610TP	SCREW 1/4-40 L=6		*		2
77	40081970	FEED ADJUSTING BASE				1
78	21407200	FEED ADJUSTING BASE		*		1
79	21407309	SQUARE BLOCK		*		1
80	40081969	FEED ADJUSTING BASE B SET				1
81	40038711	FEED ADJUSTING BASE B		*		1
82	21407309	SQUARE BLOCK		*		1

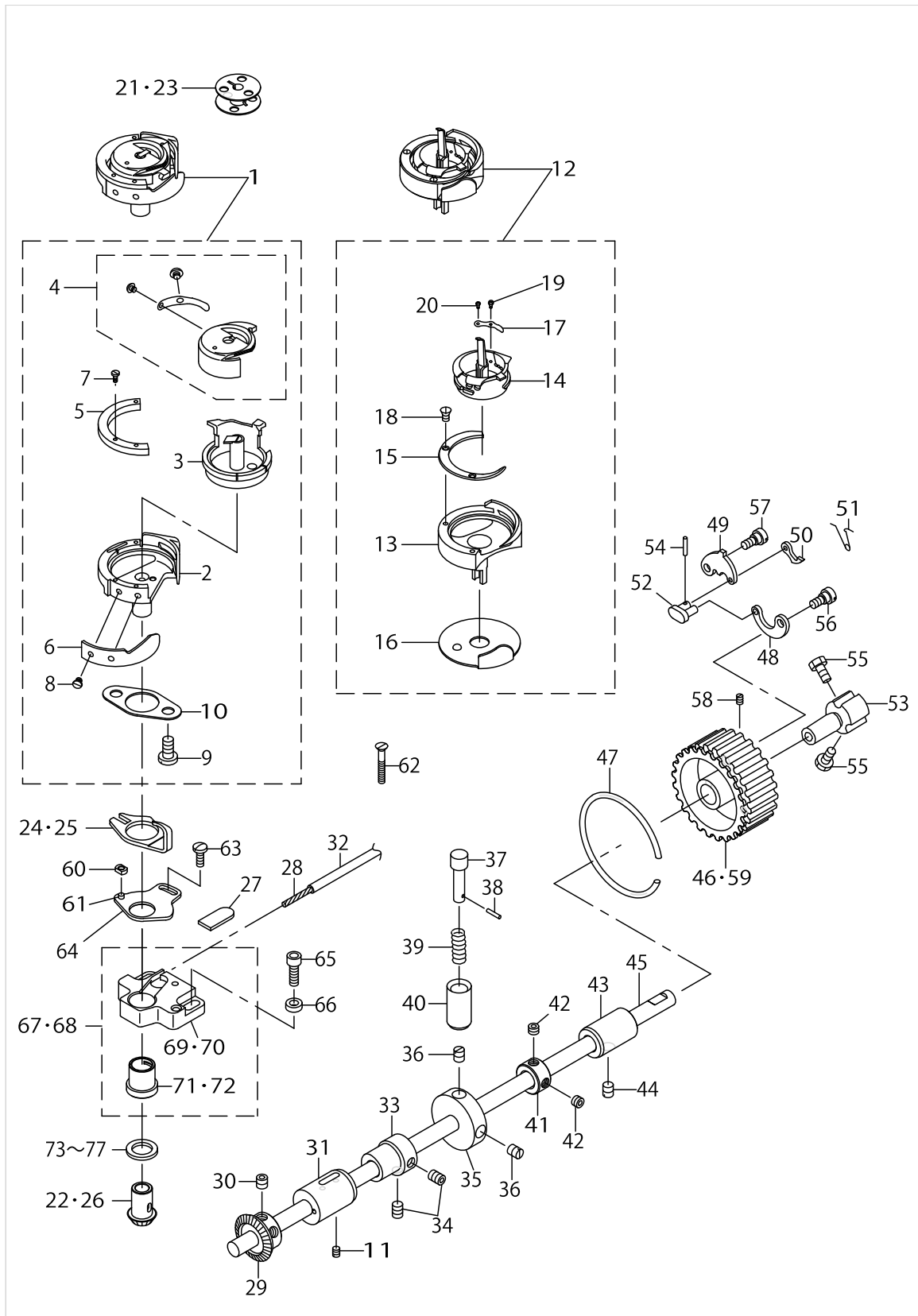
HOOK SHAFT & LOWER SHAFT COMPONENTS



HOOK SHAFT & LOWER SHAFT COMPONENTS

No.	Parts No.	Parts name	Remarks	Level	Cons	Qty
1	21229752	HOOK ASM.	FOR LS-1341			1
2	21229703	HOOK		*		1
3	21228101	INNER HOOK		*		1
4	21229307	CAP		*		1
5	21228200	INNER HOOK PRESSER		*		1
6	21229802	NEEDLE GUARD		*		1
7	21228903	SCREW FOR INNER HOOK PRESSER		*		3
8	21229901	SCREW		*		2
9	21229208	BACK PLATE SETSCREW		*		2
10	21229406	BACK PLATE		*		1
11	SS8110410TP	SCREW 11/64-40 L= 3.5				1
12	B18013400A0	HOOK ASM.	FOR LS-1340			1
13	B1801340000	HOOK		*		1
14	B1802340000	INNER HOOK		*		1
15	B1803340000	INNER HOOK PRESSER		*		1
16	B1804340000	NEEDLE GUARD		*		1
17	B1805340000	TENSION SPRING		*		1
18	B1806340000	INNER HOOK PRESSER SETSCREW		*		2
19	B1807340000	TENSION SCREW		*		1
20	B1808340000	TENSION SPRING SETSCREW		*		1
21	B9117201000	BOBBIN	FOR LS-1341			1
22	21227301	HOOK SHAFT GEAR	FOR LS-1341			1
23	B9117051000	BOBBIN	FOR LS-1340			1
24	21227400	INNER HOOK GUIDE	FOR LS-1341			1
25	B1810340000	BOBBIN CASE OPENING LEVER	FOR LS-1340			1
26	B1814340000	HOOK SHAFT GEAR	FOR LS-1340			1
27	21431200	HOOK SHAFT LUBRICATION FELT				1
28	CQ202000000	OIL WICK				0.16
29	B1836246000A	LOWER SHAFT BEVEL GEAR				1
30	SS8660612TP	SCREW 1/4-40 L=6				3
31	B1803246000	BUSHING, INTERMEDIATE				1
32	BT0500300EA	OIL TUBE				0.05
33	40092359	FEED VERTICAL TRIANGULAR CAM				1
34	SS8150822TP	SCREW 15/64-28 L=8				2
35	B1301340000	SAFETY CLUTCH DISK				1
36	SS8150710SP	SCREW 15/64-28 L=7				2
37	21223409	SAFETY CLUTCH PUSH BUTTON				1
38	PS0200102KH	SPRING PIN 2.0 X 10				1
39	B1639051000	SPRING				1
40	21223508	PUSH BUTTON CYLINDER				1
41	23102700	LOWER SHAFT THRUST HOLDER				1
42	SS8150432TH	SCREW 15/64-28 L=4				2
43	21427307	LOWER SHAFT METAL , REAR				1
44	SS8150710TP	SCREW 15/64-28 L=7				1
45	21427208	LOWER SHAFT				1
46	21333505	LOWER SPROCKET	SELECTIVE PARTS			1
47	B1214019000	SPROCKET RING				1

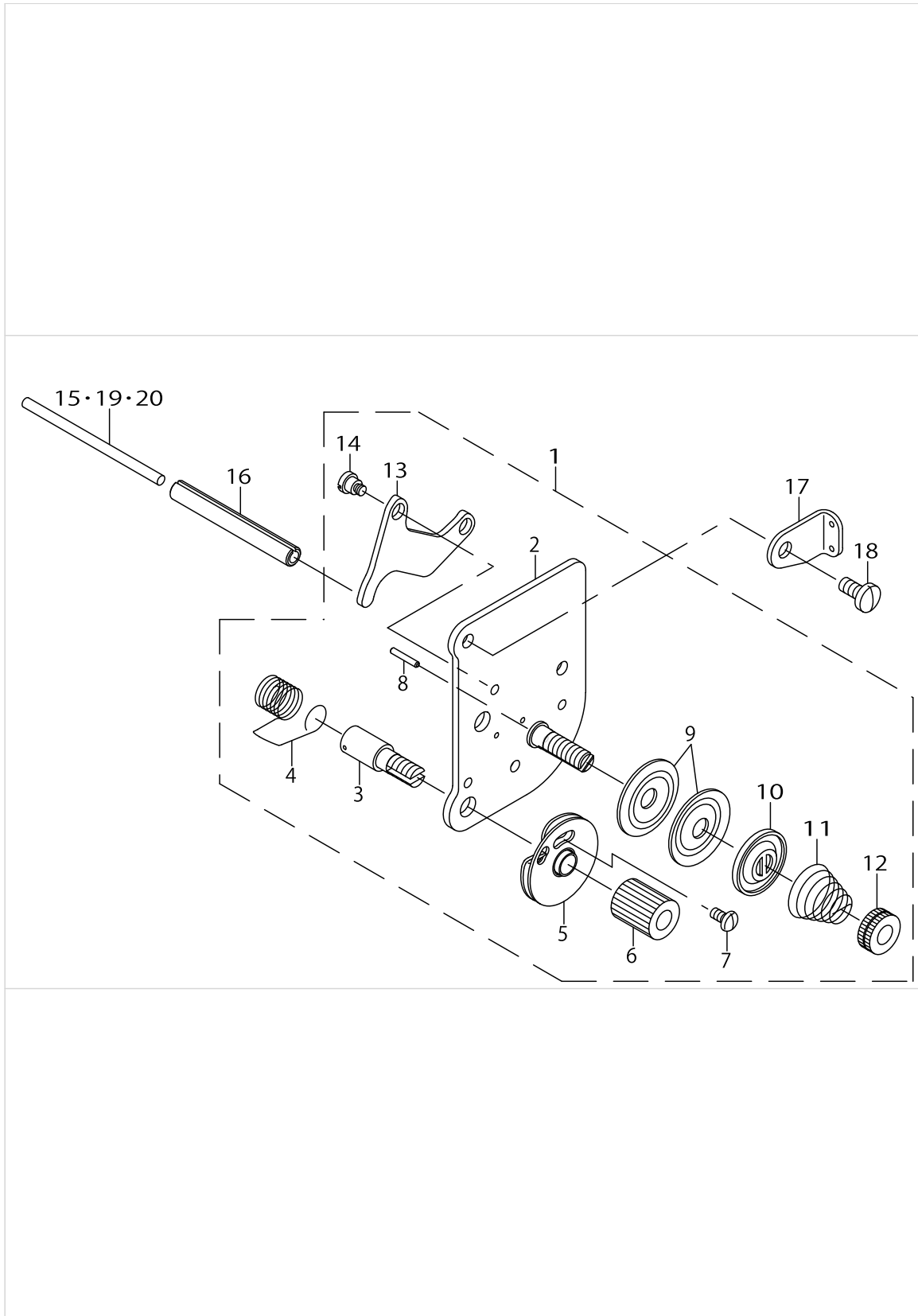
HOOK SHAFT & LOWER SHAFT COMPONENTS



HOOK SHAFT & LOWER SHAFT COMPONENTS

No.	Parts No.	Parts name	Remarks	Level	Cons	Qty
48	B1305055000A	SAFETY CLUTCH SPRING				1
49	B1307055000	SAFETY CLUTCH HOOK				1
50	B1308055000	SAFETY CLUTCH COUNTER-HOOK				1
51	40113224	COUNTER HOOK SPRING				1
52	B1310055000	SAFETY CLUTCH SMALL LINK				1
53	10503605	SAFETY BASE				1
54	B1314055000	SAFETY CLUTCH SMALL LINK PIN				1
55	SS6661110SP	SCREW 1/4-40 L=11				2
56	SD0640322TP	HINGE SCREW D= 6.35 H= 3.2				1
57	SD0640322TP	HINGE SCREW D= 6.35 H= 3.2				1
58	SS8090540SP	SCREW 9/64-40 L=5				1
59	21441605	LOWER SPROCKET				1
60	B1827246000	SLIDE BLOCK				1
61	B1826246000	SLIDE BLOCK PIN				1
62	SS1092810SP	SCREW 9/64-40 L=25.4				1
63	SS7091110TP	SCREW 9/64-40 L=10.5				1
64	21231204	ADJUSTING PLATE				1
65	SM6051552TP	SCREW M5 L=15				2
66	40090530	WASHER				2
67	40029253	HOOK SHAFT BASE ASM.	FOR LS-1341			1
68	40091907	HOOK SHAFT BASE ASM.	FOR LS-1340			1
69	40029250	HOOK SHAFT BASE	FOR LS-1341	*		1
70	40091897	HOOK SHAFT BASE	FOR LS-1340	*		1
71	40029246	HOOK SHAFT METAL	FOR LS-1341	*		1
72	40029247	HOOK SHAFT METAL	FOR LS-1340	*		1
73	B1820246000	WASHER	SELECTIVE PARTS			1
74	B182024600A	WASHER A	SELECTIVE PARTS			1
75	B182024600B	WASHER B				1
76	B182024600C	WASHER C	SELECTIVE PARTS			1
77	B182024600D	WASHER	SELECTIVE PARTS			1

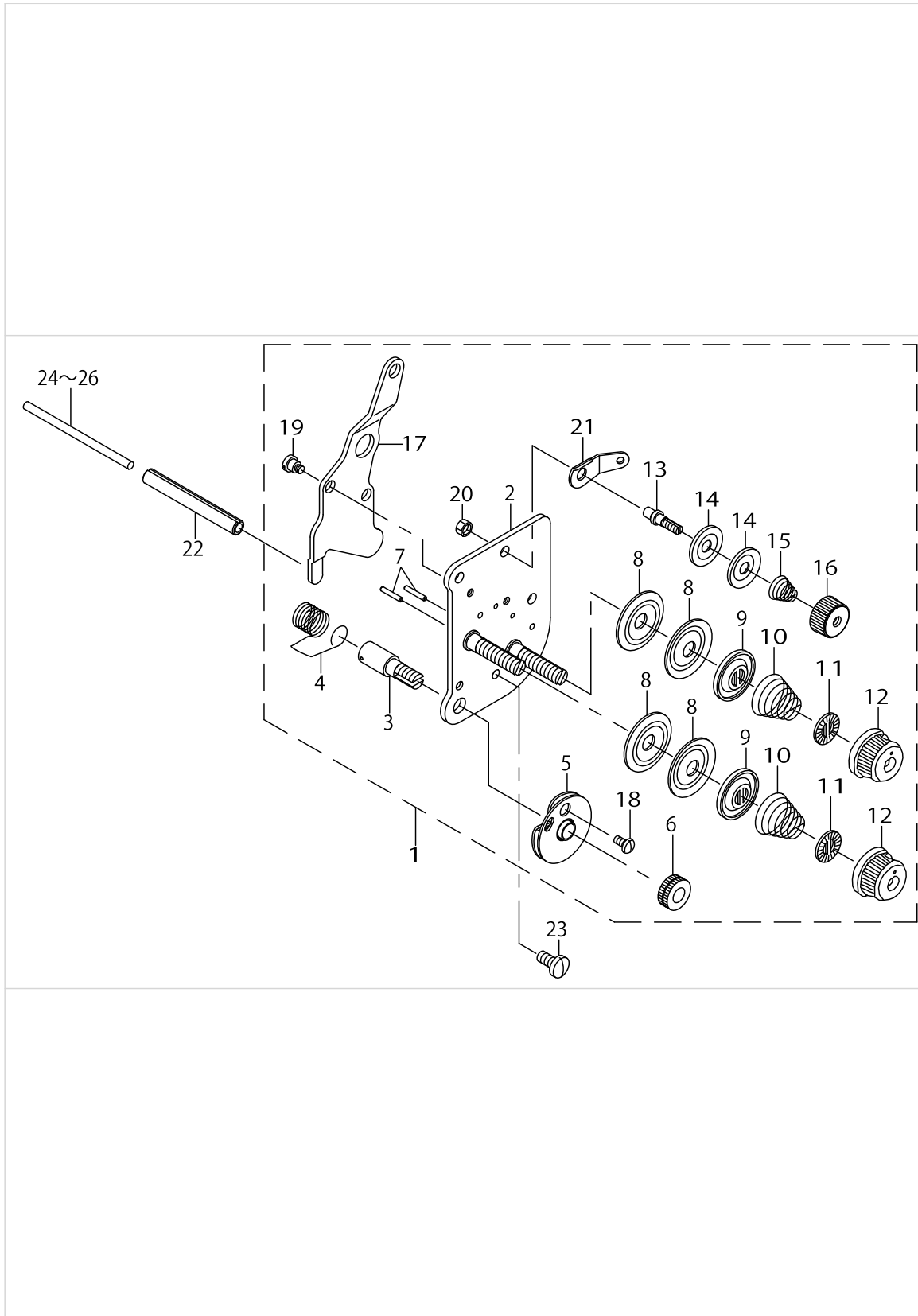
THREAD TENSION COMPONENTS (FOR LS-1340)



THREAD TENSION COMPONENTS (FOR LS-1340)

No.	Parts No.	Parts name	Remarks	Level	Cons	Qty
1	21409065	THREAD TENSION ASM.				1
2	21409057	THREAD POST BASE COMPL.		*		1
3	10320109	SCREW STUD		*		1
4	B3128520000	TENSION SPRING		*		1
5	B31370510A0	TAKE-UP SPRING GUIDE DISC ASM.		*		1
6	10320208	THRED TENSION STUD NUT		*		1
7	SS4080610SP	SCREW 1/8-44 L=6.4		*		1
8	B3127051000	TENSION RELEASE PIN, SHORT		*		1
9	13138201	THREAD TENSION DISK		*		2
10	22617906	THREAD TENSION DISK PRESSER		*		1
11	B3129053000	TENSION SPRING		*		1
12	B3125012000	THREAD TENSION NUT		*		1
13	B3134521000	TENSION RELEASE LEVER		*		1
14	SD0470281SP	HINGE SCREW D=4.7 H=2.8		*		2
15	23006406	TENSION RELEASE BAR	SELECTIVE PARTS			1
16	PS0600502KP	SPRING PIN				1
17	21409909	GUIDE PLATE				1
18	SS7110910TP	SCREW 11/64-40 L= 8.5				2
19	21348206	TENSION RELEASE BAR				1
20	10321107	TENSION RELEASE BAR	SELECTIVE PARTS			1

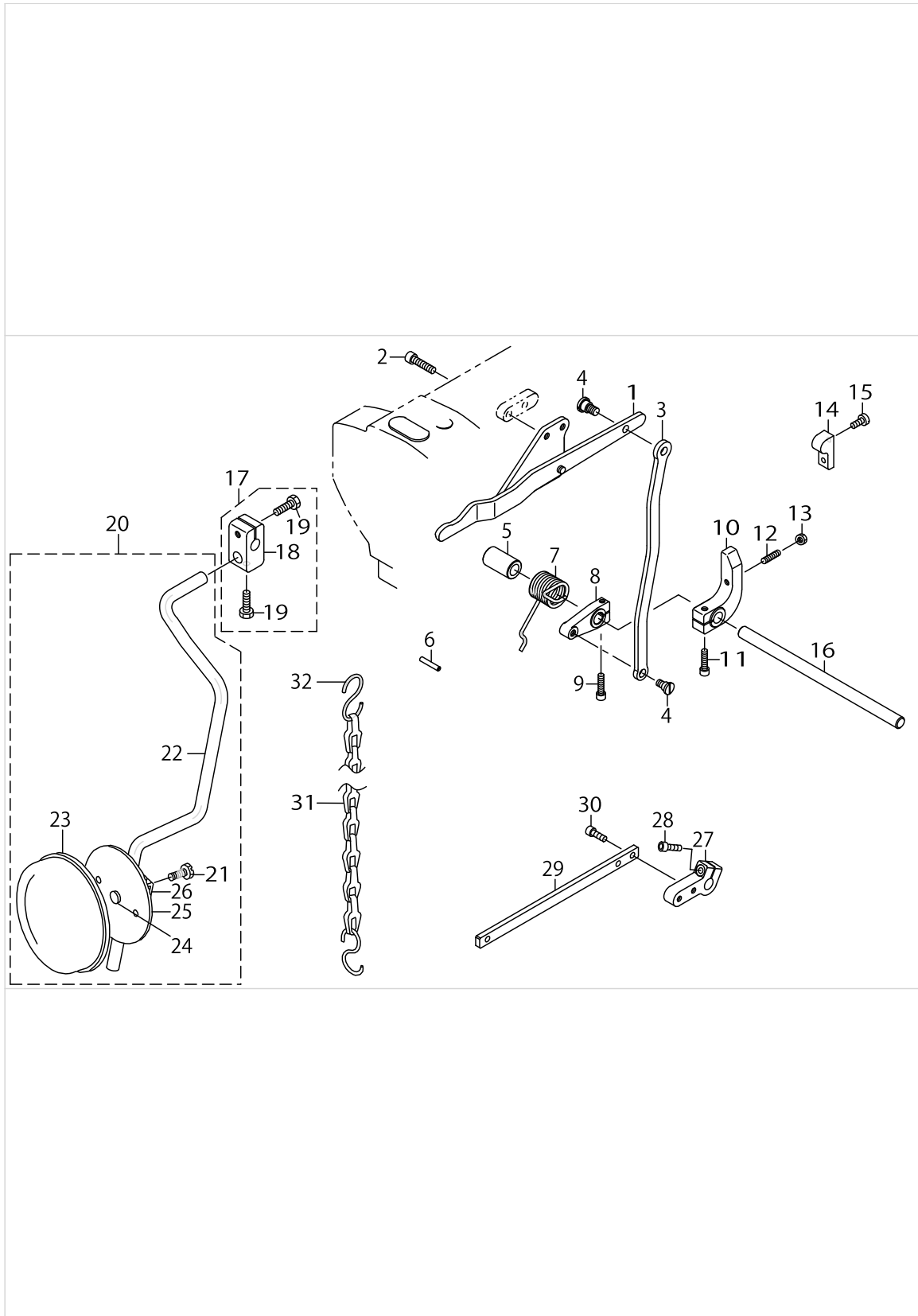
THREAD TENSION COMPONENTS (FOR LS-1341)



THREAD TENSION COMPONENTS (FOR LS-1341)

No.	Parts No.	Parts name	Remarks	Level	Cons	Qty
1	40103925	THREAD TENSION ASM.				1
2	21441050	TENSION POST COMPL.		*		1
3	10320109	SCREW STUD		*		1
4	B3128520000	TENSION SPRING		*		1
5	B31370510A0	TAKE-UP SPRING GUIDE DISC ASM.		*		1
6	B3125012000	THREAD TENSION NUT		*		1
7	22618201	TENSION RELEASE PIN, A		*		2
8	13138201	THREAD TENSION DISK		*		4
9	22617906	THREAD TENSION DISK PRESSER		*		2
10	B3129526000	TENSION SPRING (1.2)		*		2
11	22921407	ROTATION STOPPER		*		2
12	22921308	THREAD TENSION NUT		*		2
13	10124204	THREAD TENSION POST, A		*		1
14	10741106	FIRST THREAD TENSION PLATE		*		2
15	22945505	THREAD TENSION SPRING		*		1
16	22945703	THREAD TENSION NUT		*		1
17	21441100	TENSION RELEASE PLATE		*		1
18	SS4080620TP	SCREW 1/8-44 L=6		*		1
19	SD0470281SP	HINGE SCREW D=4.7 H=2.8		*		2
20	NS6110310SP	NUT 11/64-40		*		1
21	D3162555B00	THREAD GUIDE		*		1
22	PS0600502KP	SPRING PIN				1
23	SS7110910TP	SCREW 11/64-40 L= 8.5				2
24	21348206	TENSION RELEASE BAR				1
25	10321107	TENSION RELEASE BAR	SELECTIVE PARTS			1
26	23006406	TENSION RELEASE BAR	SELECTIVE PARTS			1

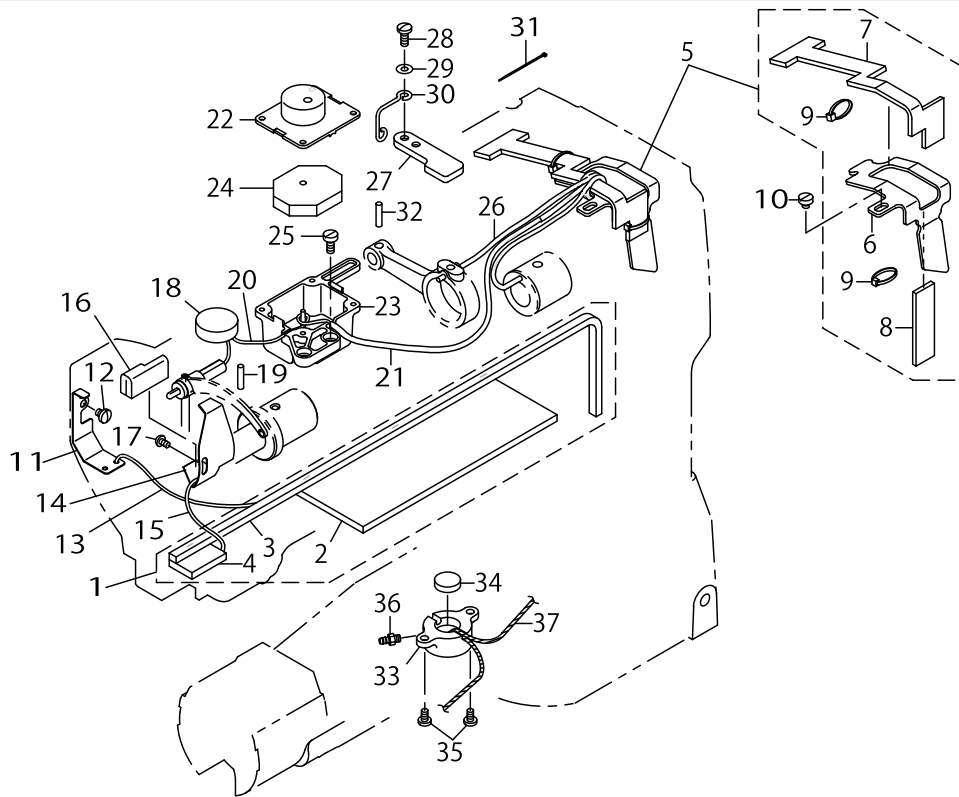
KNEE LIFTER COMPONENTS



KNEE LIFTER COMPONENTS

No.	Parts No.	Parts name	Remarks	Level	Cons	Qty
1	21432851	KNEE LIFTER LEVER ASM.				1
2	SM6062502TP	SCREW M6 L=25				2
3	21432703	NEE LIFTER CONNECTING PLATE				1
4	SD0790451SP	HINGE SCREW D= 7.94 H= 4.5				2
5	21433008	NEE LIFTER CONNECTING PLATE				1
6	PS0400222K0	SPRING PIN				1
7	21433107	KNEE LIFTER SPRING				1
8	21405709	KNEE LIFTER ARM				1
9	SM6052002TP	SCREW M5 L=20				1
10	21432604	KNEE LIFTER STOPPER ARM				1
11	SM6052002TP	SCREW M5 L=20				1
12	SM8052502TP	SCREW M5X0.8 L=25				1
13	NM6050001SD	NUT M5X0.8				1
14	21433206	STOPPER ARM				1
15	SS6121210SP	SCREW 3/16-28 L=12				2
16	21432505	KNEE LIFTER SHAFT				1
17	22932453	BRACKET ASM.				1
18	22932404	BRACKET		*		1
19	22934707	SCREW		*		2
20	21433354	KNEE PRESS PLATE ASM.				1
21	SM9061203SE	SCREW M6 L=12		*		1
22	21433305	KNEE PRESS LEVER		*		1
23	22934509	KNEE PAD PLATE COVER		*		1
24	22934400	KNEE PAD PLATE RUBBER		*		1
25	22934202	KNEE PAD PLATE		*		1
26	22934301	KNEE PAD PLATE SUPPORT		*		1
27	21433404	PRESSER LIFTER ARM	OPTIONAL PARTS			1
28	SM6051602TP	SCREW M5X0.8 L=16	OPTIONAL PARTS			1
29	21433503	PRESSER LIFTER PLATE	OPTIONAL PARTS			1
30	SM6051552TP	SCREW M5 L=15	OPTIONAL PARTS			2
31	B8131019000	CHAIN	OPTIONAL PARTS			1
32	13160304	S SHAPED HOOK	OPTIONAL PARTS			2

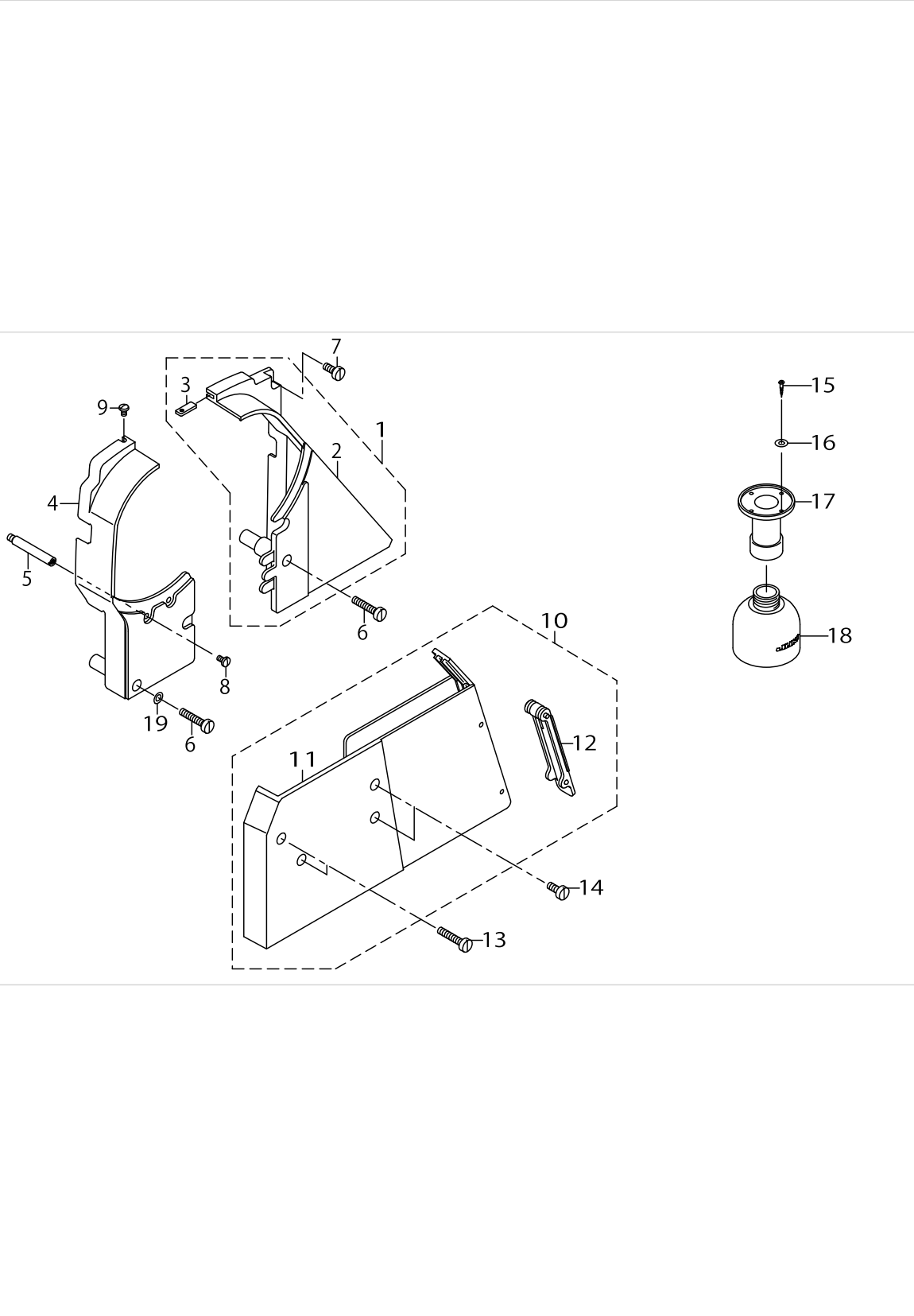
LUBRICATION COMPONENTS



LUBRICATION COMPONENTS

No.	Parts No.	Parts name	Remarks	Level	Cons	Qty
1	21345756	ARM ONCE THROUGH OIL FELT ASM.				1
2	21345707	ARM ONCE THROUGH FELT A		*		1
3	21345806	FELT B		*		1
4	21345905	FACE ONCE THROUGH FELT		*		1
5	21346358	FELT SUPPORT ASM.				1
6	21346309	FELT		*		1
7	21346507	FEED CHANGE FELT		*		1
8	21346408	FELT		*		1
9	EA9500B0000	CLIP CV-70S		*		2
10	SS6110480SP	SCREW 11/64-40 L=4.3				1
11	21340708	UPPER FEED OIL BAR PLATE				1
12	SS7110510SP	SCREW 11/64-40 L=5				1
13	CQ202000000	OIL WICK				0.2
14	21347000	TAKE-UP OIL PLATE	FOR LS-1341			1
15	CQ202000000	OIL WICK				0.25
16	21347208	TAKE-UP LUBRICATION FELT				1
17	SS3090610SP	SCREW 9/64-40 L=6				1
18	21346002	FELT				1
19	B1412051000	FELT				1
20	CQ252000000	OIL WICK				0.3
21	BT0500300EA	OIL TUBE				0.25
22	21407507	OIL TANK A				1
23	21407606	OIL TANK B				1
24	21407705	FELT				2
25	SS6111010SP	SCREW 11/64-40 L= 9.5				2
26	CQ202000000	OIL WICK				0.2
27	21339700	UPPER FEED STOPPER PLATE (B)				1
28	SS7111120TP	SCREW				2
29	WP0450801SD	WASHER 4.5X10X0.8				1
30	22620504	OIL WICK HOLDER				1
31	EA9500B0100	CABLE BAND				1
32	PS0500202KP	SPRING PIN 5X20				1
33	21433800	OIL TANK				1
34	B1203051000	OIL FELT				1
35	SS7110710SP	SCREW 11/64-40 L=7				2
36	SQ1110401MZ	CONNECTING SCREW				1
37	CQ202000000	OIL WICK				0.4
38	B1140051000	TAKE-UP OIL SPLASHER	FOR LS-1340			1

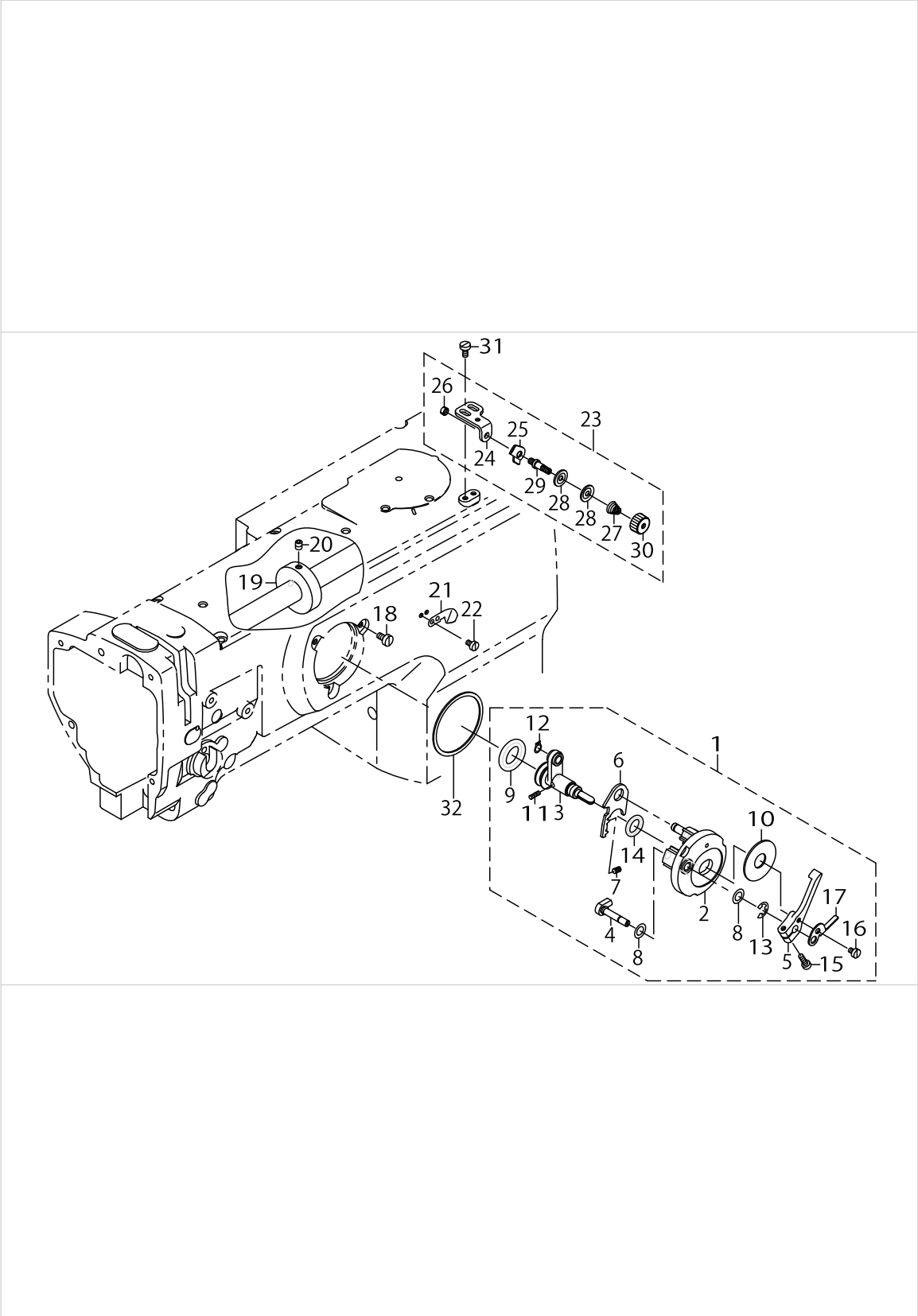
BELT COVER & OIL RESERVOIR COMPONENTS



BELT COVER & OIL RESERVOIR COMPONENTS

No.	Parts No.	Parts name	Remarks	Level	Cons	Qty
1	21351150	BELT COVER ASM. (RIGHT)				1
2	21351101	BELT COVER (RIGHT)		*		1
3	21351002	BELT COVER AUXILIARY PLATE		*		1
4	21351200	BELT COVER (LEFT)				1
5	D8232241E00	BELT COVER SUPPORT A				1
6	SS6153040SP	SCREW 15/64-28 L=30				2
7	SS6151440SP	SCREW 15/64-28 L=14				1
8	SS7110840SP	SCREW 11/64-40 L=7.8				1
9	SS5110740TP	SCREW 11/64-40 L= 6.5				1
10	21434451	BELT COVER ASM. , LOWER				1
11	21434402	BELT COVER LOWER		*		1
12	21434501	BELT COVER COVER		*		1
13	SS6153040SP	SCREW 15/64-28 L=30				2
14	SS6151440SP	SCREW 15/64-28 L=14				2
15	SK3241601SC	WOOD SCREW D=2.4 L=16				4
16	WP0320501SC	WASHER M3				4
17	B8202205000	OIL MANAGEMENT				1
18	40025300	OIL POT				1
19	WP0612076SP	WASHER 6.1X11X2				1

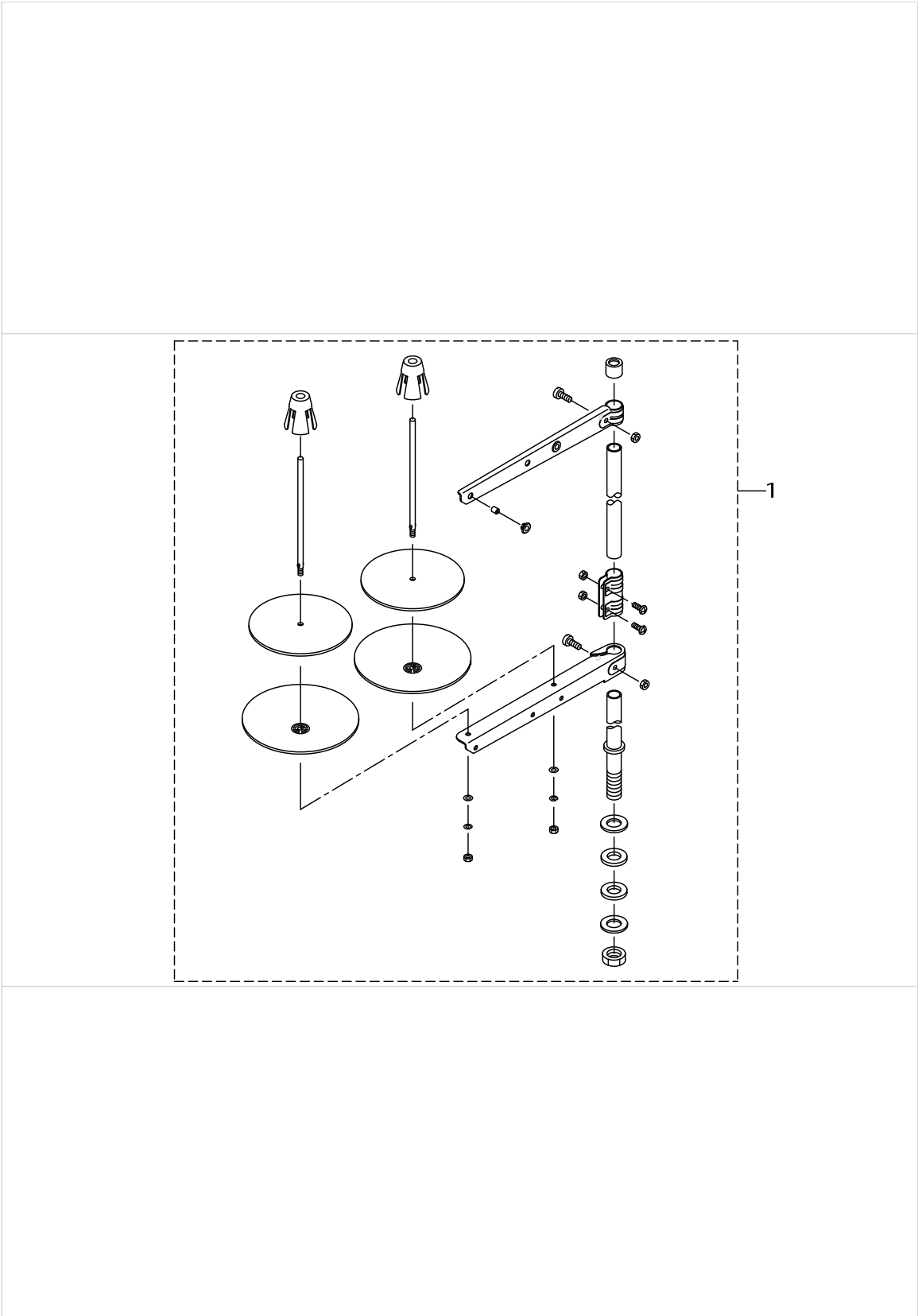
LOWER THREAD WINDER MECHANISM COMPONENTS



LOWER THREAD WINDER MECHANISM COMPONENTS

No.	Parts No.	Parts name	Remarks	Level	Cons	Qty
1	21357967	BOBBIN DEVICE ASM.				1
2	22537658	BOBBIN FITTING BASIS COMPL.		*		1
3	21357959	BOBIN SHAFT COMPL.		*		1
4	22538151	BOBBIN CAM SHAFT COMPL.		*		1
5	23636202	BOBBIN LEVER		*		1
6	21356001	ADJUSTING PLATE		*		1
7	B152989000CA	PRESSUR FOOT SPRING		*		1
8	10618304	VERTICAL ROLLER WASHER		*		2
9	21358205	RUBBER RING		*		1
10	B3205210000	CUSHION		*		1
11	B1148555000	SPRING		*		1
12	RC0560711KP	RETAINING RING		*		1
13	RE0500000K0	E-RING		*		1
14	RO092270200	RUBBER RING		*		1
15	SS7091410SP	SCREW 9/64-40 L=13.5		*		1
16	SS6090520SP	SCREW 9/64-40 L= 5.0		*		1
17	14512503	BOBBIN ADJUSTING PLATE		*		1
18	SS6110810TP	SCREW 11/64-40 L=8				3
19	10704807	BOBBIN FRICTION WHEEL				1
20	SM8050602TP	SCREW M5 L=6				2
21	10502300	THREAD CUTTER				1
22	SS6090620TP	SCREW				1
23	21355755	LOWER THREAD GUIDE ASM.				1
24	21355706	FITTING BASE		*		1
25	D3162555B00	THREAD GUIDE		*		1
26	NS6110310SP	NUT 11/64-40		*		1
27	22945505	THREAD TENSION SPRING		*		1
28	40113092	THREAD TENSION DISK		*		2
29	21378708	THREAD TENSION POST		*		1
30	22945703	THREAD TENSION NUT		*		1
31	SM6040800SP	SCREW				2
32	22538706	PACKING				1

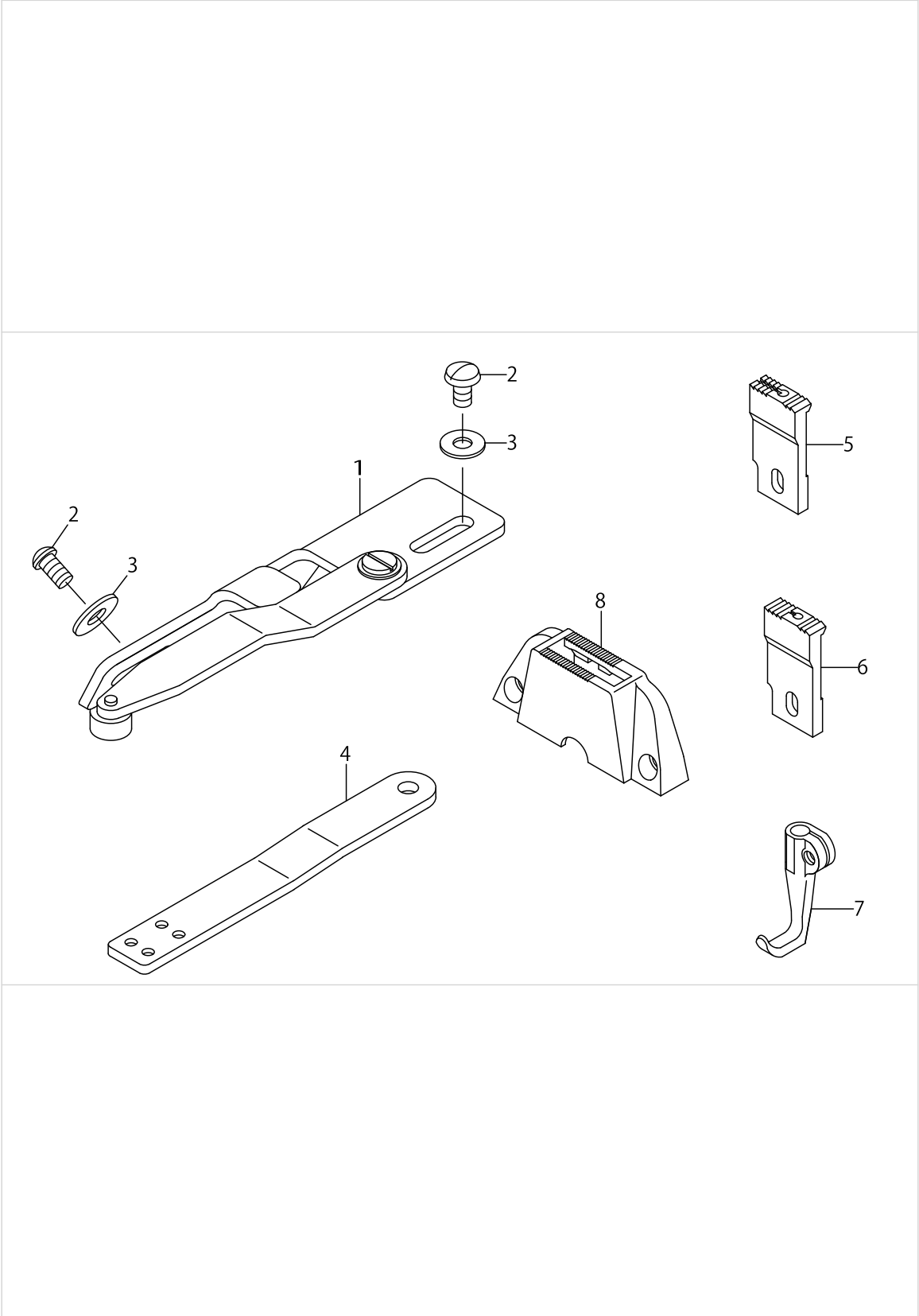
THREAD STAND COMPONENTS



THREAD STAND COMPONENTS

No.	Parts No.	Parts name	Remarks	Level	Cons	Qty
1	40096354	THREAD STAND ASM.				1

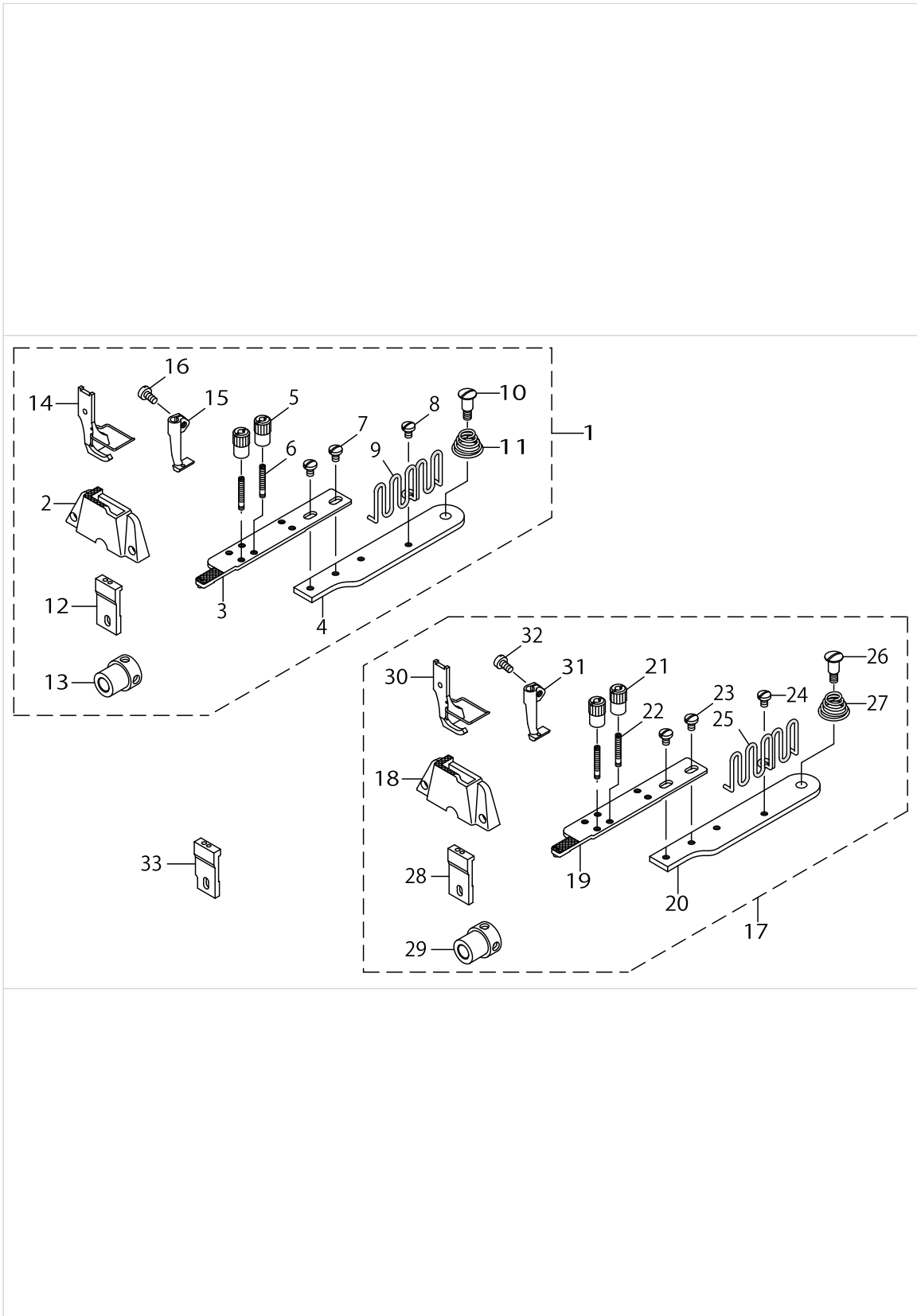
GAUGE COMPONENTS (OPTIONAL PARTS)



GAUGE COMPONENTS (OPTIONAL PARTS)

No.	Parts No.	Parts name	Remarks	Level	Cons	Qty
1	B91013400A0	EDGE GUIDE ASM.				1
2	MAM22709000	SCREW				2
3	WP0551016SH	WASHER 5.5X13X1				2
4	B9104340000	FIXING BINDER FITTING PLATE.				1
5	21225305	FEED DOG, 3.2MM				1
6	21225008	FEED DOG				1
7	21231006	WALKING FOOT				1
8	21445606	THROAT PLATE	FOR LS-1341			1

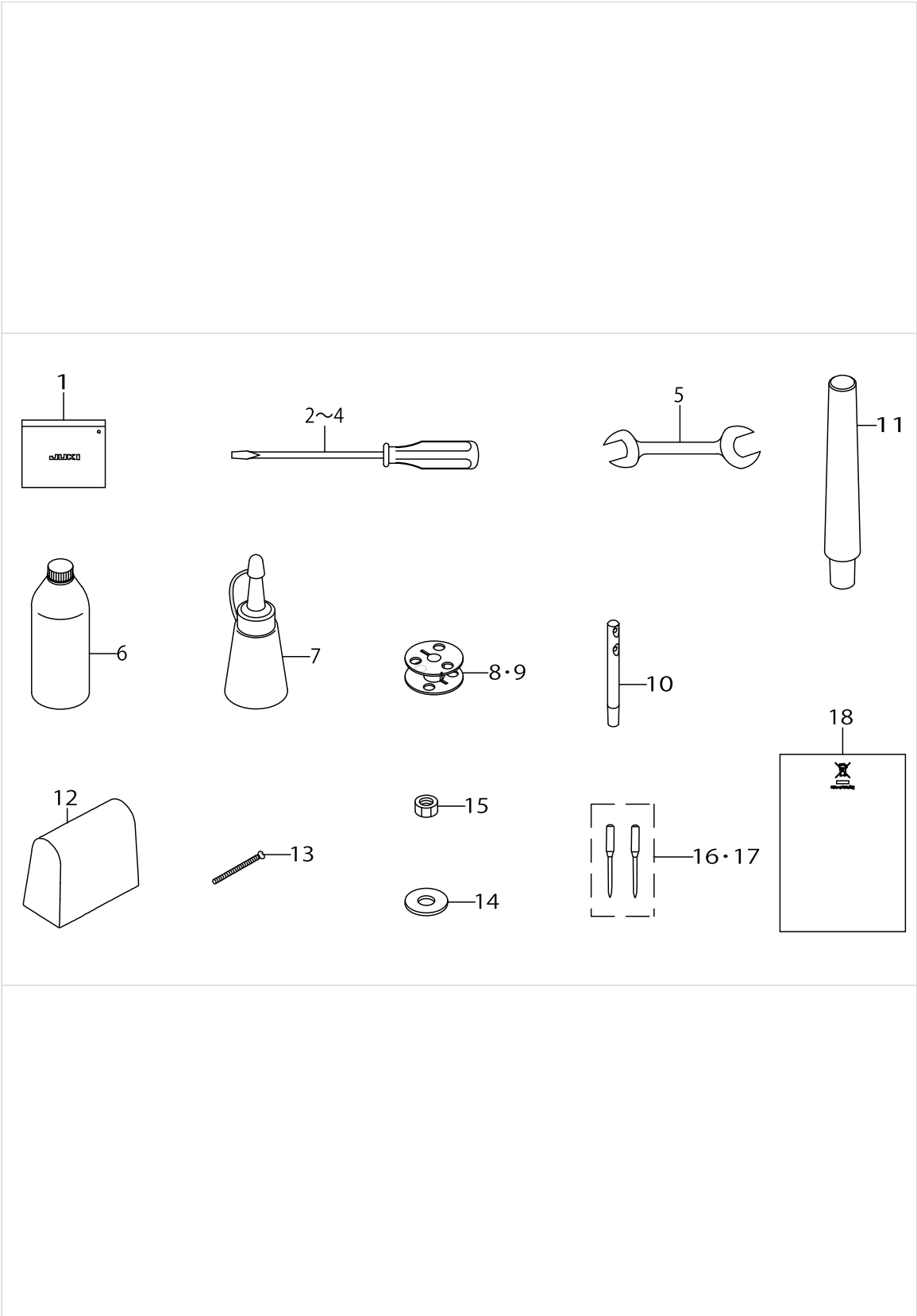
BINDER COMPONENTS



BINDER COMPONENTS

No.	Parts No.	Parts name	Remarks	Level	Cons	Qty
1	21434857	LS-1341 BINDER SET	FOR LS-1341			1
2	21427406	THROAT PLATE		*		1
3	MAQ14302000	FEED PLATE A ASM.		*		1
4	MAQ14303000	FEED PLATE B		*		1
5	MAQ09205000	BINDER LOCK NUT		*		2
6	MAQ09204000	BINDER SETSCREW		*		2
7	SS7110510SP	SCREW 11/64-40 L=5		*		2
8	SS7110510SP	SCREW 11/64-40 L=5		*		1
9	MAQ09206000	TAPE GUIDE		*		1
10	SD0721112SN	HINGE SCREW D=7.24 H=11.1		*		1
11	21232004	SPRING		*		1
12	MAQ14306000	FEED		*		1
13	40011964	FEED VERTICAL CAM		*		1
14	MAQ093080A0	PRESSER FOOT ASM.		*		1
15	MAQ09307000	WALKING FOOT		*		1
16	SS6110710TP	SCREW 11/64-40 L= 6.5		*		1
17	21434758	LS-1340 BINDER SET	FOR LS-1340			1
18	MAQ14301000	THROAT PLATE		*		1
19	MAQ14302000	FEED PLATE A ASM.		*		1
20	MAQ14303000	FEED PLATE B		*		1
21	MAQ09205000	BINDER LOCK NUT		*		2
22	MAQ09204000	BINDER SETSCREW		*		2
23	SS7110510SP	SCREW 11/64-40 L=5		*		2
24	SS7110510SP	SCREW 11/64-40 L=5		*		1
25	MAQ09206000	TAPE GUIDE		*		1
26	SD0721112SN	HINGE SCREW D=7.24 H=11.1		*		1
27	21232004	SPRING		*		1
28	MAQ14306000	FEED		*		1
29	40011964	FEED VERTICAL CAM		*		1
30	MAQ093080A0	PRESSER FOOT ASM.		*		1
31	MAQ09307000	WALKING FOOT		*		1
32	SS6110710TP	SCREW 11/64-40 L= 6.5		*		1
33	21225404	FEED	OPTIONAL PARTS			1

ACCESSORIES PARTS COMPONENTS



ACCESSORIES PARTS COMPONENTS

No.	Parts No.	Parts name	Remarks	Level	Cons	Qty
1	22932800	ACCESSORIE BAG				1
2	22933006	SCREW DRIVER,LARGE				1
3	22933105	SCREW DRIVER,MIDDLE				1
4	22933204	SCREW DRIVER,SMALL				1
5	B9113012000	WRENCH (9X10)				1
6	MDFRX2700C0	NEW DEFRIX OIL NO.2(700CC)				1
7	J1067000000	OILER				1
8	B9117201000	BOBBIN				1
9	B9117051000	BOBBIN	FOR LS-1340			1
10	22958300	NEEDLE THREAD GUIDE PIN				1
11	B820424500A	FRAME SUPPORT BAR				1
12	40048536	HEAD_COVER				1
13	B9130245000	BOLT				4
14	WP0751576SD	WASHER 7.5X19X1.5				4
15	NM6060001SD	NUT M6				4
16	M13517B1602	NEEDLE 135X17 #160-2				1
17	M13517B1402	NEEDLE 135X17 #140-2	FOR LS-1340			1
18	CM600100201	WEEE INFORMATION SHEET				1

LIST FOR INFORMATION OF CHANGE

As to the place changed, refer to the corresponding Rev.No.
 When previous parts(Obsoleted part)and new parts(Added parts)are
 not interchangeable with each other:
 In this case,even obsoleted parts(D.)can be ordered with the
 obsoleted part number,so select the parts with changed dates and
 place your orders.

変更箇所は、該当Rev.No.版をご参照ください。
 部品の互換性がない変更の場合は、削除された品番でも、ご注文できます。

29351202
 No.1313-09・・・Rev.No.

*A:Added parts追加部品/D:Obsoleted parts削除部品/E:Erratum訂正

*	Rev. No.	Page 頁	Ref. No.	Parts No. 品番	*	Rev. No.	Page 頁	Ref. No.	Parts No. 品番
D	08	2	3	400-19114	A	09	2	3	401-52631
D	08	3	15	213-39502	A	09	3	15	401-97297
D	08	3	19	213-36557					
D	08	3	20	213-36508	A	09	3	20	401-97296
D	08	6	31	213-40104					
D	08	8	21	213-87402					
D	08	8	72	213-36706					
D	08	10	51	B1309055000	A	09	10	51	401-13224
D	08	14	27	EA-9500B00-00	A	09	14	27	EA-9500B01-00
D	08	17	2 to 24 - 削除						
D	08	20	1	B9101-552-000	A	09	20	1	229-32800

HOW TO MAKE USE OF THIS PARTS LIST

1.Explanation of codes

1)"*"mark.....means this part is changed from the previous parts book.

As to the details of the change, refer to the "List for information of change".

2)"#01".....refer to "Note" explanation at bottom of page.

2.Codes on the "Qty" column

• Each numeral indicates the number of parts required.

• "0.1" and "2.5" indicate the length (in meters) of the respective parts.

3.Parentheses mean that the corresponding part is a subpart that constructs an assembly part.

4.Dotted lines on the Figures indicate assembly parts.

1."注記"欄の記号説明

1) "*"印.....前回のパーツブックに比較して今回変更された部品を意味します。

変更内容は、"変更情報リスト"を参照してください。

2) "#01".....ページ下の"注記"の説明を参照してください。

2.数量欄の数字は、個数を表し、0.1、2.5等の数値は、長さ（単位メートル）を表します。

3.数量欄の（ ）は、組部品を構成している子部品であることを意味します。

4.イラストページの-----枠は、組構成であることを意味します。

NUMERICAL INDEX OF PARTS

PART NO	PAGE	REF NO.	PART NO	PAGE	REF NO.	PART NO	PAGE	REF NO.
10124204	24	13	21331756	2	9	21348206	24	24~26
10201200	4	70	21331806	2	12	21351002	30	3
10205201	14	22	21332002	2	13	21351101	30	2
10320109	22	3	21332309	2	16	21351150	30	1
10320109	24	3	21332507	6	12	21351200	30	4
10320208	22	6	21332705	6	1	21353008	6	22
10321107	22	15·19·20	21333000	6	2	21355706	32	24
10321107	24	24~26	21333109	6	17	21355755	32	23
10337905	12	55	21333406	6	32	21355904	2	6
10502300	32	21	21333505	18	46·59	21356001	32	6
10503605	20	53	21334008	6	30	21357959	32	3
10509701	10	22	21336300	14	18	21357967	32	1
10618304	32	8	21336607	16	68	21358205	32	9
10704807	32	19	21336656	16	67	21378302	10	5
10741106	24	14	21337308	16	54	21378708	32	29
13138201	22	9	21337605	16	56	21387402	6	24
13138201	24	8	21337803	16	48	21388004	14	20
13160304	26	32	21337902	16	52	21402102	6	3·19
14512503	32	17	21338207	16	73	21402300	6	27
17912106	2	26	21338504	8	31	21405204	8	2
21220413	4	49	21338603	8	16	21405709	26	8
21221908	4	50·61·72	21338702	8	14	21406103	12	48
21223409	18	37	21338801	8	19	21406509	10	28
21223508	18	40	21338900	8	18	21406608	12	57
21225008	36	6	21339106	6	9	21407200	16	78
21225305	36	5	21339304	8	23	21407309	16	82
21225404	38	33	21339700	28	27	21407408	14	45
21227301	18	22·26	21340401	10	1	21407507	28	22
21227400	18	24·25	21340500	10	2	21407606	28	23
21228101	18	3	21340708	28	11	21407705	28	24
21228200	18	5	21340906	10	42	21409057	22	2
21228903	18	7	21341151	10	46	21409065	22	1
21229208	18	9	21345707	28	2	21409909	22	17
21229307	18	4	21345756	28	1	21426309	4	66
21229406	18	10	21345806	28	3	21426408	4	67
21229703	18	2	21345905	28	4	21426507	4	65
21229752	18	1	21346002	28	18	21426606	2	47
21229802	18	6	21346309	28	6	21426705	2	33
21229901	18	8	21346358	28	5	21426754	2	32
21231006	36	7	21346408	28	8	21426853	2	36
21231204	20	64	21346507	28	7	21426903	2	35
21232004	38	27	21347000	28	14	21427109	6	26
21331202	2	10	21347109	10	13	21427208	18	45
21331301	2	4	21347208	28	16	21427307	18	43
21331608	2	18	21348206	22	15·19·20	21427406	38	2

NUMERICAL INDEX OF PARTS

PART NO	PAGE	REF NO.	PART NO	PAGE	REF NO.	PART NO	PAGE	REF NO.
21427604	14	30	22618201	24	7	40029247	20	71·72
21427703	14	35	22619100	4	71	40029250	20	69·70
21428305	14	38	22620504	28	30	40029253	20	67·68
21428404	14	41	22814909	8	25	40033026	10	12
21428503	14	40	22901805	2	45	40033027	10	11
21429006	14	7	22904106	10	7	40033029	10	19
21429709	14	14	22904155	10	6	40033030	10	24
21429808	14	11	22907604	10	43	40033031	10	40
21430004	8	27	22911804	16	63	40033032	10	39
21430053	8	26	22912000	16	65	40038711	16	81
21430103	8	29	22912109	16	66	40038712	16	50
21430202	16	59	22921308	24	12	40039326	10	4
21430301	16	61	22921407	24	11	40039838	2	24
21431200	18	27	22932404	26	18	40039839	2	25
21432505	26	16	22932453	26	17	40048536	40	12
21432604	26	10	22932800	40	1	40081969	16	80
21432703	26	3	22933006	40	2~4	40081970	16	77
21432851	26	1	22933105	40	2~4	40090318	4	52
21433008	26	5	22933204	40	2~4	40090323	4	54
21433107	26	7	22934202	26	25	40090530	20	66
21433206	26	14	22934301	26	26	40090727	14	44
21433305	26	22	22934400	26	24	40091242	14	27
21433354	26	20	22934509	26	23	40091243	14	3
21433404	26	27	22934707	26	19	40091244	14	25
21433503	26	29	22945505	24	15	40091245	14	26
21433800	28	33	22945505	32	27	40091248	14	23
21434402	30	11	22945703	24	16	40091250	14	5
21434451	30	10	22945703	32	30	40091254	14	6
21434501	30	12	22958300	40	10	40091315	14	9
21434758	38	17	23006406	22	15·19·20	40091897	20	69·70
21434857	38	1	23006406	24	24~26	40091907	20	67·68
21435003	14	1	23100506	4	48	40092246	8	5
21437900	10	36	23102700	18	41	40092359	18	33
21441050	24	2	23636202	32	5	40092676	4	50·61·72
21441100	24	17	26225201	10	29	40094670	4	57
21441605	20	46·59	40011964	38	29	40094671	4	56
21445606	36	8	40016798	2	1	40095001	4	58
22537658	32	2	40018339	10	16	40096354	34	1
22538151	32	4	40018340	12	61	40103925	24	1
22538706	32	32	40018341	10	23	40108674	2	20
22603112	2	22	40019128	14	21	40113092	32	28
22604904	6	34	40019926	16	57	40113224	20	51
22605406	6	4·35	40025300	30	18	40152631	2	3
22617906	22	10	40027746	8	24	40197296	6	20
22617906	24	9	40029246	20	71·72	40197297	6	15

NUMERICAL INDEX OF PARTS

PART NO	PAGE	REF NO.	PART NO	PAGE	REF NO.	PART NO	PAGE	REF NO.
B1105340000	4	50·61·72	B1803246000	18	31	BT0500300EA	18	32
B1116246000	4	62	B1803340000	18	15	BT0500300EA	28	21
B1117246000	4	73	B1804340000	18	16	CM300200001	2	44
B1132521000	2	27	B1805340000	18	17	CM301300001	2	42
B1140051000	28	38	B1806038000	14	36	CM600100201	40	18
B1148555000	32	11	B1806340000	18	18	CQ202000000	6	18
B1203051000	28	34	B1807340000	18	19	CQ202000000	16	70
B1203512000	6	29	B1808340000	18	20	CQ202000000	18	28
B1210051000	6	10	B1810340000	18	24·25	CQ202000000	28	37
B1214019000	18	47	B1814340000	18	22·26	CQ252000000	28	20
B1301340000	18	35	B1820246000	20	73~77	CQ3000000F0	10	15
B1305055000A	20	48	B182024600A	20	73~77	CQ303000000	6	7
B1307055000	20	49	B182024600B	20	73~77	CQ505000000	6	11
B1308055000	20	50	B182024600C	20	73~77	CS1111019SH	14	33
B1310055000	20	52	B182024600D	20	73~77	CS111101CSH	14	32
B1314055000	20	54	B1826246000	20	61	CS1201010SH	16	74
B1410771000	8	21	B1827246000	20	60	CS1201011SH	16	75
B1411053000	8	8	B1836246000A	18	29	D1455055B00	10	33
B14110530A0	8	6	B1905053000	6	3·19	D1456055B00	10	32
B1412051000	8	9	B1906051000	6	6	D3162555B00	24	21
B1412051000	28	19	B1907051000	6	4·35	D3162555B00	32	25
B1414232000	8	22	B3013141H0B	4	60	D8232241E00	30	5
B1414555000	10	21	B3125012000	22	12	EA9500B0000	10	14
B1418761000	16	69	B3125012000	24	6	EA9500B0000	28	9
B1420563000	8	1	B3127051000	22	8	EA9500B0100	8	30
B1462053000	10	47	B3128520000	22	4	EA9500B0100	16	72
B14670530A0	10	25	B3128520000	24	4	EA9500B0100	28	31
B1467563000	8	12	B3129053000	22	11	J1067000000	40	7
B1468053000	10	26	B3129526000	24	10	M13517B1400	8	11·32
B14700530A0	12	60	B3134521000	22	13	M13517B1402	40	16·17
B1470241H00	12	51	B31370510A0	22	5	M13517B1600	8	11·32
B1470241HA0	12	50	B31370510A0	24	5	M13517B1602	40	16·17
B1471241H00	12	52	B3138512000	2	30	MAM22709000	36	2
B1501241H00	12	58	B3205210000	32	10	MAQ09204000	38	22
B1502246000	10	44	B8131019000	26	31	MAQ09205000	38	21
B1510155000	12	49	B8202205000	30	17	MAQ09206000	38	25
B1525241H00	12	54	B820424500A	40	11	MAQ09307000	38	31
B1525241HA0	12	53	B91013400A0	36	1	MAQ093080A0	38	30
B1525563DA0	10	38	B9104340000	36	4	MAQ14301000	38	18
B152989000CA	32	7	B9113012000	40	5	MAQ14302000	38	19
B1607246000	14	31	B9117051000	18	21·23	MAQ14303000	38	20
B1639051000	18	39	B9117051000	40	8·9	MAQ14306000	38	28
B1801340000	18	13	B9117201000	18	21·23	MDFRX2700C0	40	6
B18013400A0	18	12	B9117201000	40	8·9	NM6030003SC	2	34
B1802340000	18	14	B9130245000	40	13	NM6050001SD	26	13

NUMERICAL INDEX OF PARTS

PART NO	PAGE	REF NO.	PART NO	PAGE	REF NO.	PART NO	PAGE	REF NO.
NM6060001SD	40	15	SM8060602TP	6	28	SS7091410SP	32	15
NS6110310SP	24	20	SM8080802TP	8	20	SS7110410SP	4	59
NS6110310SP	32	26	SM8080812TP	6	14	SS7110510SP	10	20
NS6110530SP	10	35	SM9061203SE	26	21	SS7110510SP	28	12
NS6660430SP	14	29	SQ1110401MZ	28	36	SS7110510SP	38	24
PS0200102KH	14	4	SS1092810SP	20	62	SS7110710SP	6	23
PS0200102KH	18	38	SS2090520SL	2	46	SS7110710SP	16	51
PS0400222K0	26	6	SS2090710TP	2	29	SS7110710SP	28	35
PS0500202KP	28	32	SS3090610SP	28	17	SS7110830SP	8	15
PS0600502KP	22	16	SS4080610SP	22	7	SS7110840SP	14	2
PS0600502KP	24	22	SS4080620TP	24	18	SS7110840SP	30	8
RC0560711KP	32	12	SS4110815SP	2	17	SS7110910TP	8	13
RE0500000K0	32	13	SS4111215SP	2	2	SS7110910TP	10	41
RE0900000K0	14	19	SS4150915SP	2	41	SS7110910TP	14	46
RO092270200	16	64	SS5090610SP	2	21	SS7110910TP	22	18
RO092270200	32	14	SS5110710SP	2	39	SS7110910TP	24	23
SD0380551SL	2	28	SS5110740TP	30	9	SS7111120TP	28	28
SD0470281SP	22	14	SS6090520SP	32	16	SS7112810SP	4	51
SD0470281SP	24	19	SS6090620TP	32	22	SS7113110SP	4	53
SD0640322TP	20	57	SS6090910TP	12	59	SS7150740SP	12	56
SD0721112SN	38	26	SS6091022TP	8	17	SS7150910TP	2	19
SD0790451SP	26	4	SS6110480SP	28	10	SS7621040SP	2	7
SD0790701SP	14	28	SS6110610TP	14	24	SS8090540SP	20	58
SD0800352SP	4	63	SS6110710TP	38	32	SS8110410TP	18	11
SD0800402TP	16	55	SS6110810TP	32	18	SS8110422TP	14	47
SD0800481SP	10	45	SS6111010SP	28	25	SS8110710SP	14	10
SD0900701TP	14	16	SS6111140SP	4	68	SS8111010TP	10	31
SD1000801SH	14	17	SS6111610SP	16	58	SS8150432TH	18	42
SK3241601SC	30	15	SS6120930TP	14	13	SS8150510TP	14	37
SM4030601SC	2	37	SS6121210SP	26	15	SS8150710SP	10	9
SM6040800SP	32	31	SS6121220TP	14	8	SS8150710SP	18	36
SM6051402TP	14	12	SS6121610TP	14	39	SS8150710TP	6	36
SM6051552TP	20	65	SS6121860SP	16	62	SS8150710TP	18	44
SM6051552TP	26	30	SS6151440SP	30	14	SS8150822TP	6	31
SM6051602TP	26	28	SS6151780SP	10	27	SS8150822TP	16	49
SM6052002TP	26	11	SS6151920SP	10	30	SS8150822TP	18	34
SM6061802TP	16	60	SS6152440SP	8	28	SS8151150TP	8	3
SM6062502TP	10	37	SS6153040SP	30	13	SS8151550SP	6	33
SM6062502TP	26	2	SS6661110SP	6	25	SS8660610TP	10	8
SM6081552TP	4	64	SS6661110SP	20	55	SS8660610TP	14	76
SM8040402TP	4	55	SS7080510TP	8	10	SS8660610TP	16	76
SM8050402TP	14	15	SS7090520TP	2	31	SS8660612TP	10	3
SM8050602TP	32	20	SS7090910SP	8	7	SS8660612TP	18	30
SM8050612TP	16	71	SS7090910TP	16	53	SS8660810TP	6	21
SM8052502TP	26	12	SS7091110TP	20	63	SS9152130CP	14	43

NUMERICAL INDEX OF PARTS

PART NO	PAGE	REF NO.
TA0550604R0	2	38
TA0550604R0	10	10
TA0750404R0	2	11
TA0750704R0	6	37
TA1100604R0	2	43
TA1250504R0	2	40
TA1450404R0	2	8
WP0320501SC	30	16
WP0450801SD	28	29
WP0482086SD	10	34
WP0501046SC	10	18
WP0551016SH	36	3
WP0612076SP	30	19
WP0621016SH	14	42
WP0751576SD	40	14
WT0530002KS	4	69