

MODEL : DNU-1541-7

List No : 1312-10

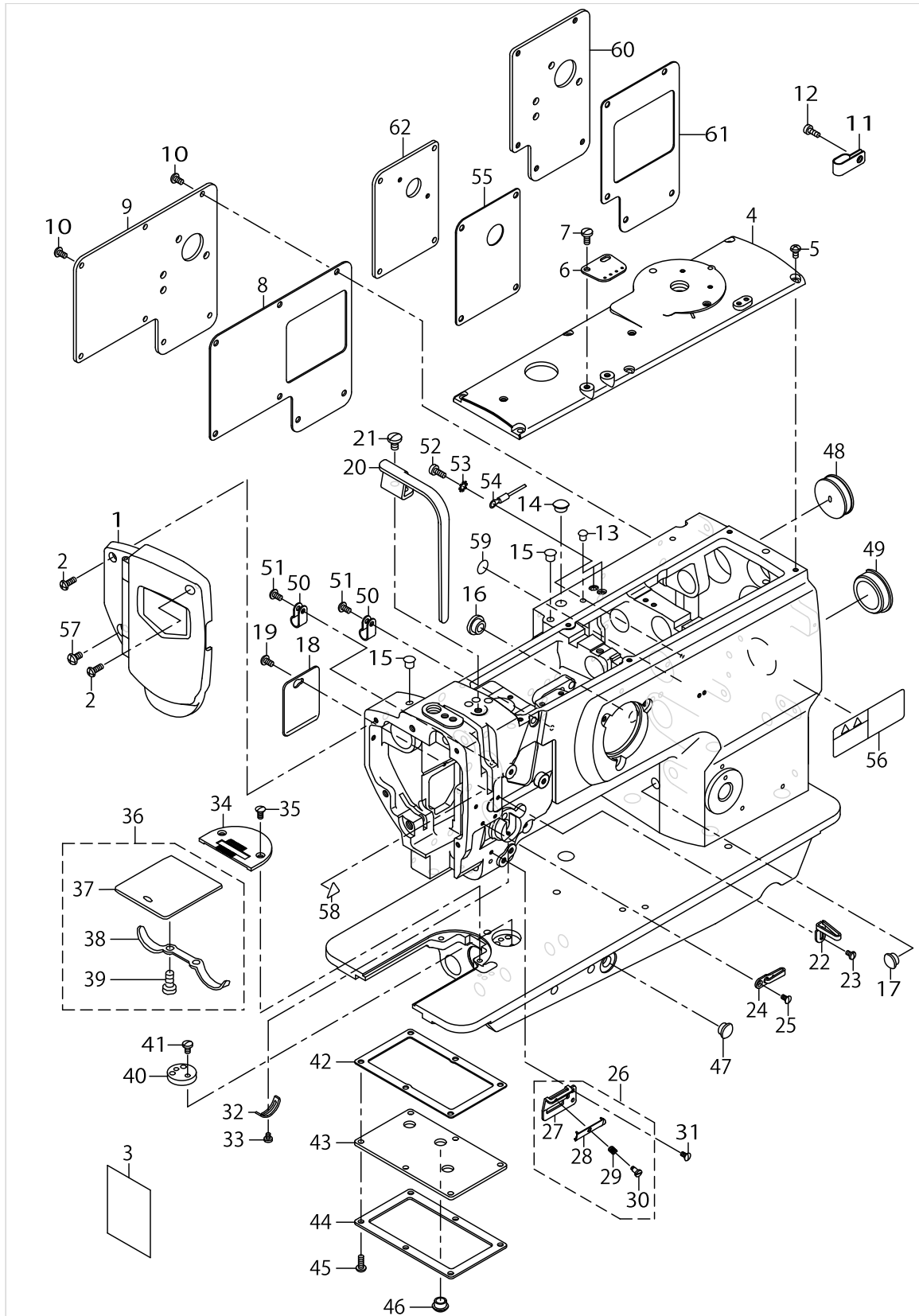
PARTS LIST

Published:12/29/2017

CONTENTS

FRAME & MISCELLANEOUS COVER COMPONENTS	1
UPPER SHAFT,LOWER SHAFT DRIVING & BALANCE COMPONENTS	5
NEEDLE BAR ROCKING COMPONENTS	9
PRESSURE ADJUSTING & UPPER FEED MECHANISM COMPONENTS.....	11
FEED MECHANISM COMPONENTS.....	17
HOOK SHAFT & THREAD TRIMMER COMPONENTS	21
AUTOMATIC BACK COMPONENTS.....	25
THREAD TENSION COMPONENTS.....	27
THREAD RELEASE COMPONENTS.....	29
KNEE LIFTING MECHANISM COMPONENTS.....	31
LOWER THREAD WINDER MECHANISM COMPONENTS	33
AUTOMATIC PRESSER LIFTING MECHANISM (OPTION) COMPONENTS.....	35
DL MECHANISM (OPTION) COMPONENTS	37
AIR MECHANISM COMPONENTS.....	39
LUBRICATION COMPONENTS	41
BELT COVER & OIL RESERVOIR COMPONENTS.....	43
THREAD STAND COMPONENTS.....	45
ACCESSORIES PARTS COMPONENTS	47
LIST FOR INFORMATION OF CHANGE.....	49
HOW TO MAKE USE OF THIS PARTS LIST	50

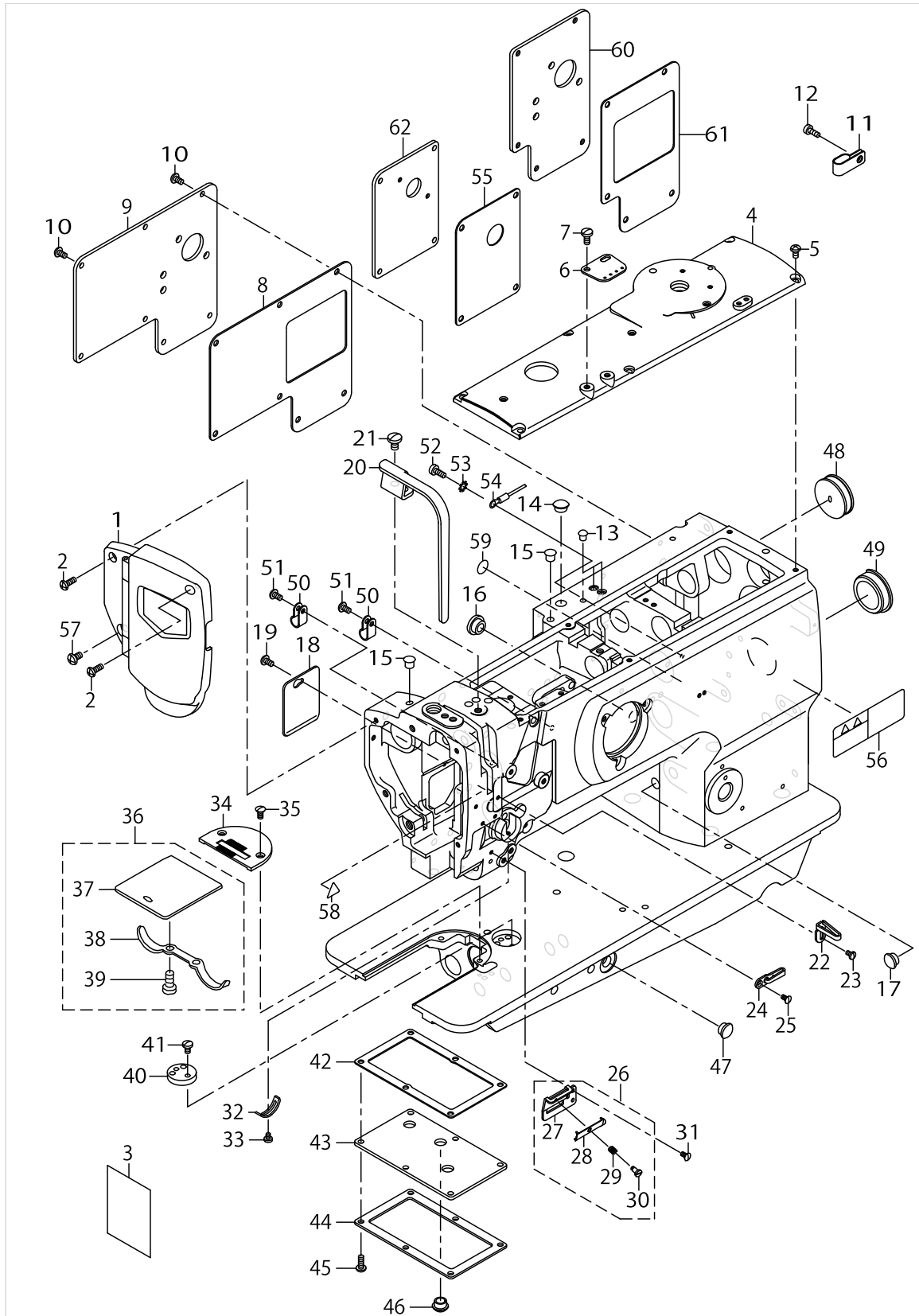
FRAME & MISCELLANEOUS COVER COMPONENTS



FRAME & MISCELLANEOUS COVER COMPONENTS

No.	Parts No.	Parts name	Remarks	Level	Cons	Qty
1	40016798	FACE PLATE ASM.				1
2	SS4111215SP	SCREW 11/64-40 L=12				2
3	40152631	LUBRICATION SUPPLEMENT				1
4	21331301	TOP COVER B				1
5	SS4110815SP	SCREW 11/64-40 L=8				6
6	21355904	ARM THREAD GUIDE				1
7	SS7621040SP	SCREW 3/16-32 L=9.5				2
8	21332101	WINDOW PLATE PACKING C				1
9	40107950	WINDOW PLATE C				1
10	SS4110815SP	SCREW 11/64-40 L=8				7
11	D2112555B00	CORD HOLDER LARGE				1
12	SS6111140SP	SCREW 11/64-40 L=11				1
13	TA0550604R0	RUBBER PLUG				3
14	TA1250504R0	RUBBER PLUG				1
15	TA0750704R0	RUBBER PLUG				2
16	TA1250504R0	RUBBER PLUG				1
17	TA1050504R0	RUBBER PLUG				1
18	21332309	SIDE COVER				1
19	SS4110815SP	SCREW 11/64-40 L=8				1
20	21331608	BALANCE COVER				1
21	SS7150910TP	SCREW 15/64-28 L=9				1
22	40108674	THREAD GUIDE				1
23	SS5090610SP	SCREW 9/64-40 L=6				1
24	22603112	THREAD GUIDE				1
25	SS2090710TP	SCREW 9/64-40 L=7.2				1
26	40039838	THREAD GUIDE ASM.				1
27	40039839	THREAD GUIDE PLATE		*		1
28	17912106	NEEDLE THREAD PRESSER PLATE		*		1
29	B1132521000	THREAD PRESSER PLATE SPRING		*		1
30	SD0380551SL	HINGE SCREW D=3.80 H=5.5		*		1
31	SS2090710TP	SCREW 9/64-40 L=7.2				1
32	B3138512000	TAKE-UP SPRING ADJUSTING PLATE				1
33	SS7090520TP	SCREW 9/64-40 L=4.5				1
34	21410006	THROAT PLATE				1
35	SS2110920TP	SCREW 11/64-40 L=8.5				2
36	B1112241HA0	BED SLIDE ASM.				1
37	B1112241H00	BED SLIDE		*		1
38	A1111007000	SLIDE PLATE SPRING		*		1
39	SS6060210SP	SCREW 3/32-56 L=1.9		*		2
40	B1103141H00	SCALE BASE PLATE				1
41	SS7110720SP	SCREW 11/64-40 L=7				2
42	21401302	GASKET				1
43	21401401	OIL TANK COVER				1
44	21401500	OIL TANK COVER PLATE				1
45	SS4111015SP	SCREW 11/64-40 L=10				6
46	TA1050504R0	RUBBER PLUG				3
47	TA1050504R0	RUBBER PLUG				1

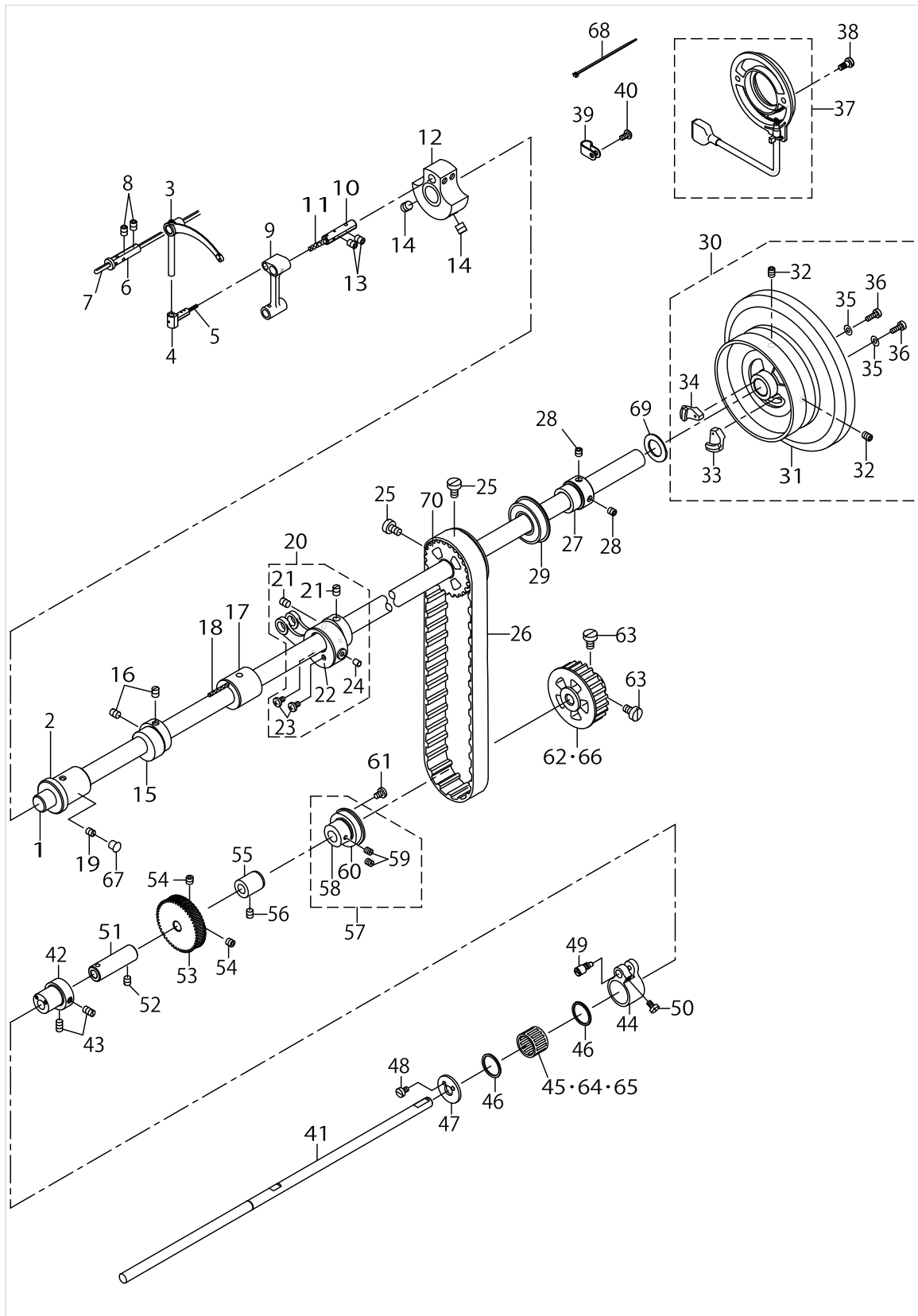
FRAME & MISCELLANEOUS COVER COMPONENTS



FRAME & MISCELLANEOUS COVER COMPONENTS

No.	Parts No.	Parts name	Remarks	Level	Cons	Qty
48	10201200	RUBBER PLUG				1
49	22619100	CAP				1
50	HX00123000A	CABLE CLIP				5
51	SS4110815SP	SCREW 11/64-40 L=8				2
52	SS6111140SP	SCREW 11/64-40 L=11				1
53	WT0530002KS	TOOTHED WASHER D=5.3				1
54	22951552	GROUND WIRE ASM.				1
55	21437306	WINDOW PLATE E PACKING	OPTIONAL PARTS			1
56	CM301300001	SAFETY LABEL				1
57	SS4150915SP	SCREW 15/64-28 L=9				1
58	CM300200001	ATTENTION SEAL				1
59	22901805	GROUND MARK				1
60	21348909	WIDOW PLATE D	OPTIONAL PARTS			1
61	21332002	WINDOW PLATE PACKING B	OPTIONAL PARTS			1
62	21437207	WINDOW PLATE F	OPTIONAL PARTS			1

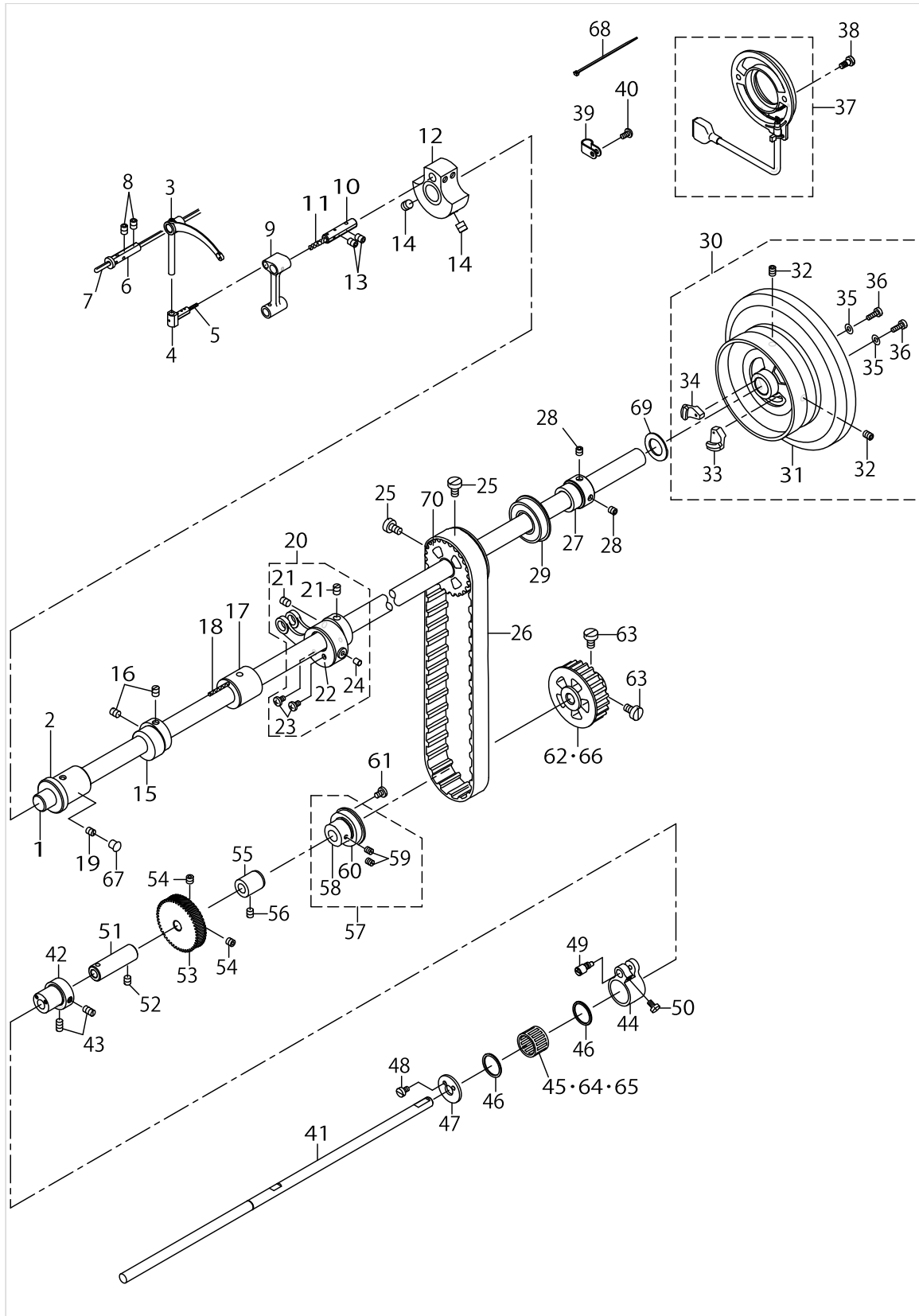
UPPER SHAFT, LOWER SHAFT DRIVING & BALANCE COMPONENTS



UPPER SHAFT,LOWER SHAFT DRIVING & BALANCE COMPONENTS

No.	Parts No.	Parts name	Remarks	Level	Cons	Qty
1	21332705	UPPER SHAFT				1
2	21333000	UPPER SHAFT FRONT METAL				1
3	21402102	THREAD TAKE-UP LEVER				1
4	22605406	TAKE-UP LEVER THRUST PIN				1
5	CQ202000000	OIL WICK				0.03
6	B1906051000	TAKE-UP LEVER PIN				1
7	CQ303000000	OIL WICK				0.45
8	SS8150822TP	SCREW 15/64-28 L=8				2
9	21339106	NEEDLE BAR CRANK ROD				1
10	B1210051000	NEEDLE BAR CRANK PIN				1
11	CQ505000000	OIL WICK				0.03
12	21332507	COUNTER WEIGHT (A) (36MM)				1
13	SS8150822TP	SCREW 15/64-28 L=8				2
14	SM8080812TP	SCREW M8X8				2
15	21339502	UPPER FEED CAM (3.5)				1
16	SS8660810TP	SCREW 1/4-40 L=8				2
17	21333109	UPPER SHAFT INNER METAL				1
18	CQ202000000	OIL WICK				0.15
19	SS8150710TP	SCREW 15/64-28 L=7				1
20	40197296	HORIZONTAL_FEED_ROD_ASM				1
21	SS8660810TP	SCREW 1/4-40 L=8		*		2
22	21353008	HORIZONTAL FEED CAM COVER		*		1
23	SS7110710SP	SCREW 11/64-40 L=7		*		2
24	21387402	FELT		*		1
25	SS6661110SP	SCREW 1/4-40 L=11				2
26	22604300	TIMING BELT				1
27	21402300	UPPER SHAFT BEARING HOOK				1
28	SM8060602TP	SCREW M6X6				2
29	40143083	BEARING				1
30	21402250	FLYWHEEL ASM.				1
31	21402201	FLYWHEEL		*		1
32	SS8150822TP	SCREW 15/64-28 L=8		*		2
33	M40071100AA	MAGNET FITTING BASE A ASM.		*		1
34	M40071100AB	MAGNET FITTING BASE B ASM.		*		1
35	WP0450801SD	WASHER 4.5X10X0.8		*		2
36	SS6111210SP	SCREW 11/64-40 L=12		*		2
37	40024855	CONTAIN SYNCHRO ASM.				1
38	10604809	SCREW				2
39	HX00123000A	CABLE CLIP				1
40	SS4110815SP	SCREW 11/64-40 L=8				1
41	21402409	LOWER SHAFT				1
42	21405501	FEED DRIVING CAM				1
43	SS8151150TP	SCREW 15/64-28 L=10.5				2
44	23618200	FEED DRIVING BASE ARM				1
45	SB32000060B	BEARING	SELECTIVE PARTS			1
46	23618101	FEED DRIVING CAM THRUST BUSH				2
47	21405303	FEED DRIVING CAM PLATE				1

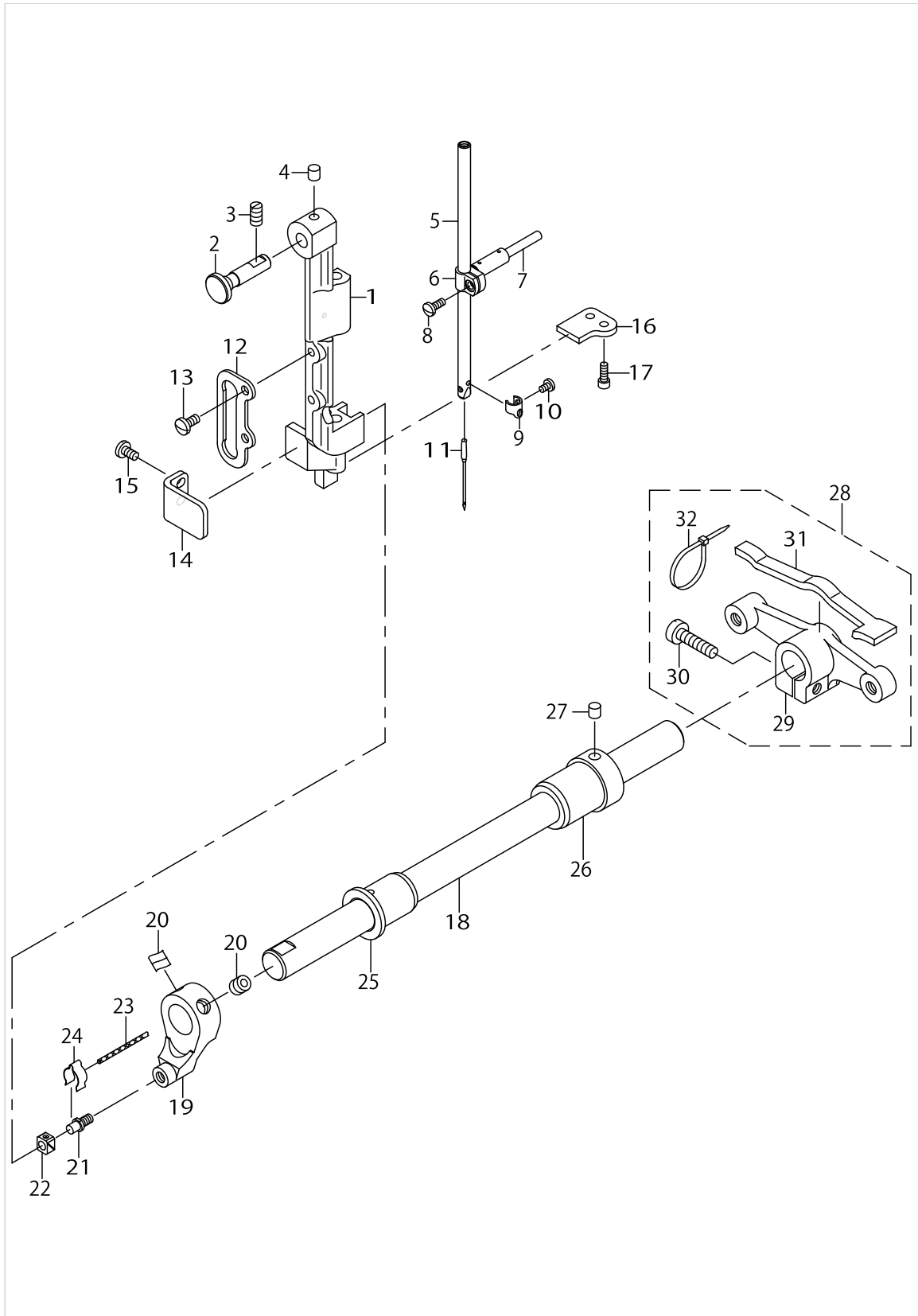
UPPER SHAFT, LOWER SHAFT DRIVING & BALANCE COMPONENTS



UPPER SHAFT,LOWER SHAFT DRIVING & BALANCE COMPONENTS

No.	Parts No.	Parts name	Remarks	Level	Cons	Qty
48	SS6090620TP	SCREW				2
49	40035502	FEED DRIVING BASE SHAFT				1
50	SS7110740TP	SCREW 11/64-40 L=7				1
51	21402508	LOWER SHAFT FRONT METAL				1
52	SS8150710TP	SCREW 15/64-28 L=7				1
53	21402706	LOWER SHAFT GEAR				1
54	SS8660612TP	SCREW 1/4-40 L=6				2
55	21402607	LOWER SHAFT INNER METAL				1
56	SS8150710TP	SCREW 15/64-28 L=7				1
57	22611651	THRUST COLLAR ASM. B				1
58	22611602	THRUST COLLAR B		*		1
59	SS8661030SP	SCREW 1/4-40 L=10		*		2
60	SB120000200	BEARING 20X42		*		1
61	SS7120760SP	SCREW 3/16-28 L=7.0				2
62	22623201	SPROCKET WHEEL				1
63	SS6661110SP	SCREW 1/4-40 L=11				2
64	SB32000060C	BEARING	SELECTIVE PARTS			1
65	SB32000060A	BEARING				1
66	40143190	LOWER_SPROCKET	SELECTIVE PARTS			1
67	TA0750704R0	RUBBER PLUG				1
68	EA9500B0100	CABLE BAND				1
69	22606206	SPACER Y				1
70	22604904	UPPER SPROCKET				1

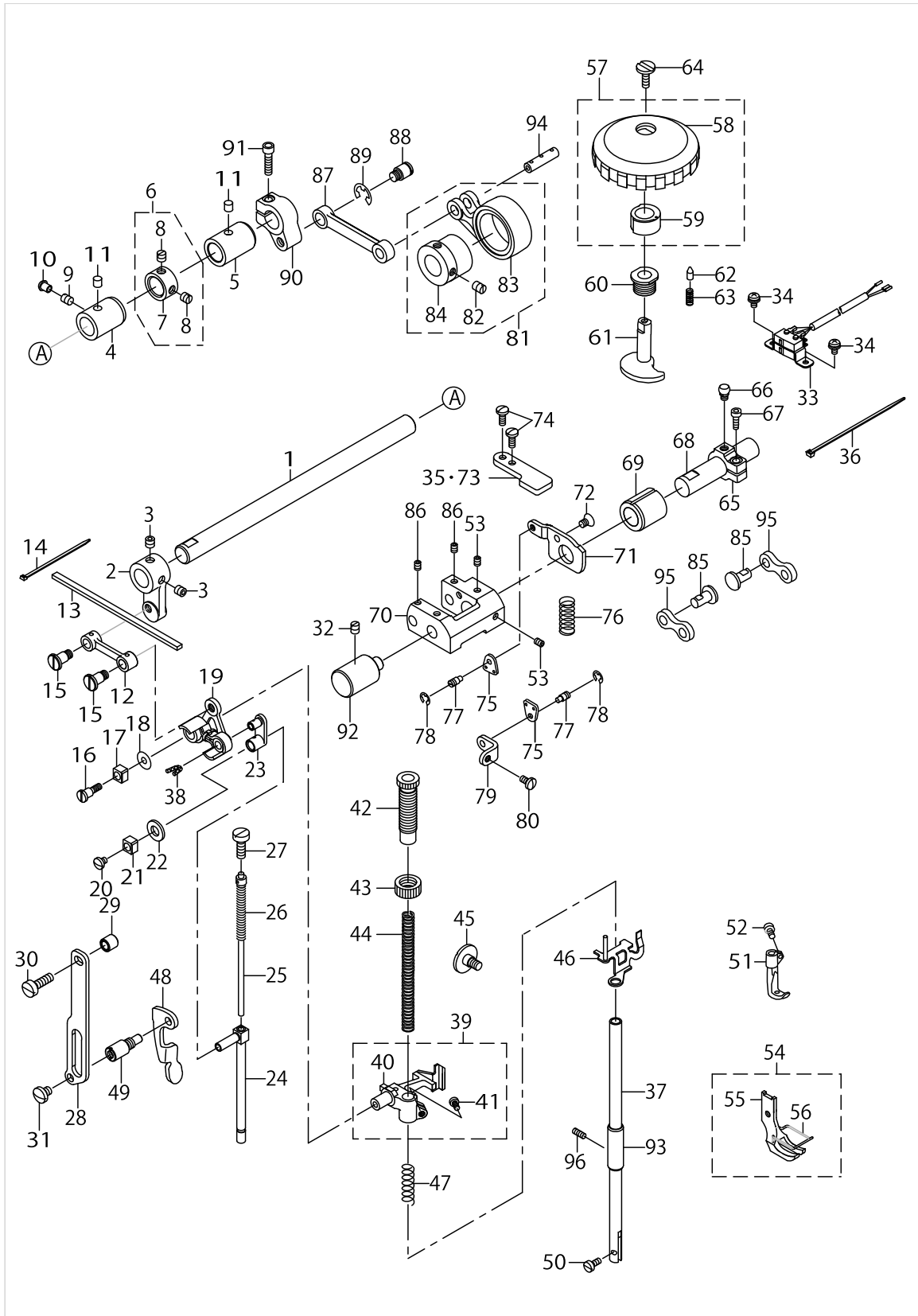
NEEDLE BAR ROCKING COMPONENTS



NEEDLE BAR ROCKING COMPONENTS

No.	Parts No.	Parts name	Remarks	Level	Cons	Qty
1	B1420563000	NEEDLE BAR FRAME				1
2	21405204	HINGE STUD				1
3	SS8151150TP	SCREW 15/64-28 L=10.5				1
4	22814909	FELT				1
5	21338405	NEEDLE BAR				1
6	B1411053000	NEEDLE BAR CONNECTION				1
7	B1412051000	FELT				1
8	SS7090910SP	SCREW 9/64-40 L=8.5				1
9	21338504	NEEDLE BAR THREAD RACK				1
10	SS7080510TP	SCREW 1/8-44 L=4.5				1
11	M13517B1600	NEEDLE 135X17 #160				1
12	B1467563000	UPPER FEED BAR GUIDE				1
13	SS7110910TP	SCREW 11/64-40 L=8.5				2
14	21388400	ROCKING BASE GUIDE				1
15	SS7110830SP	SCREW 11/64-40 L=7.5				2
16	21338603	ROCKING BASE GUIDE (B)				1
17	SS6091022TP	SCREW				2
18	21338900	ROCKING SHAFT				1
19	21338801	ROCKING FRONT ARM				1
20	SM8080802TP	SCREW				2
21	B1410771000	STUD				1
22	B1414232000	SQUARE BLOCK				1
23	CQ202000000	OIL WICK				0.05
24	B1437051000	OIL WICK RETAINER				1
25	21339304	ROCKING SHAFT FRONT METAL				1
26	40027746	BUSHING REAR				1
27	22814909	FELT				1
28	21339056	ROCKING REAR ARM ASM.				1
29	21339007	ROCKING REAR ARM		*		1
30	SS6152440SP	SCREW 15/64-28 L=23.5		*		1
31	21347406	ROCKING REAR ARM FELT		*		1
32	EA9500B0100	CABLE BAND		*		2

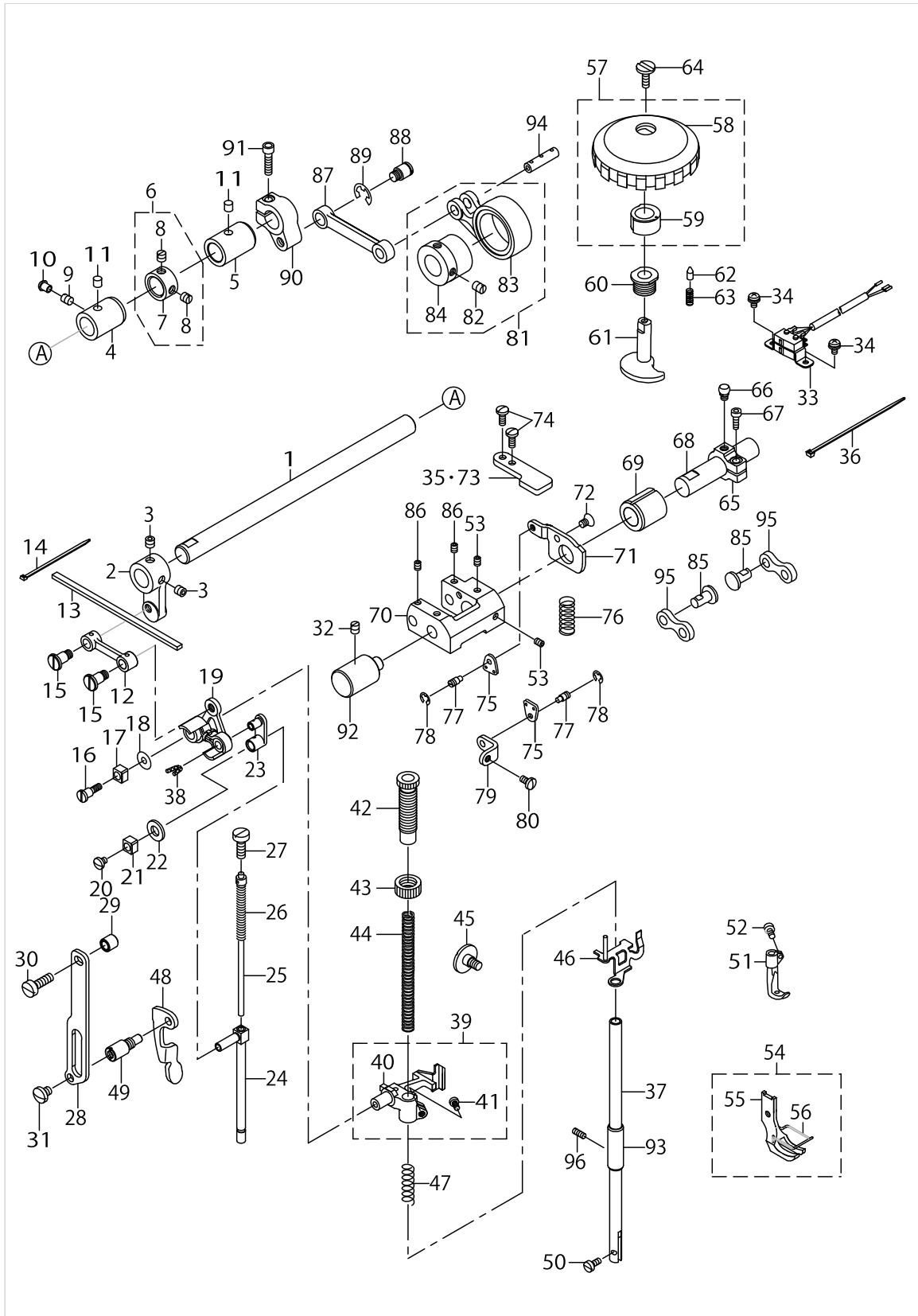
PRESSURE ADJUSTING & UPPER FEED MECHANISM COMPONENTS



PRESSURE ADJUSTING & UPPER FEED MECHANISM COMPONENTS

No.	Parts No.	Parts name	Remarks	Level	Cons	Qty
1	21340401	UPPER FEED SHAFT				1
2	21340500	UPPER FEED FRONT ARM				1
3	SS8660612TP	SCREW 1/4-40 L=6				2
4	40039326	FRONT METAL				1
5	21378302	FEED ROCK SHAFT METAL				1
6	22904155	MAIN SHAFT THRUST COLLAR ASM.				1
7	22904106	MAIN SHAFT THRUST COLLAR		*		1
8	SS8660610TP	SCREW 1/4-40 L=6		*		2
9	SS8150710SP	SCREW 15/64-28 L=7				1
10	TA0750704R0	RUBBER PLUG				1
11	22814909	FELT				2
12	40033026	UPPER FEED LINK				1
13	21347109	FELT				1
14	EA9500B0000	CLIP CV-70S				2
15	40018340	SCREW				2
16	40018339	SCREW				1
17	B1414555000	SLIDE BLOCK				1
18	WP0501046SC	WASHER 5X13X1				1
19	40033029	TRIANGULAR LEVER ASM.				1
20	SS7110510SP	SCREW 11/64-40 L=5				1
21	B1414555000	SLIDE BLOCK				1
22	10509701	FELT				1
23	40018341	WALKING BAR DRIVING LINK				1
24	40033030	WALKING BAR A				1
25	B14670530A0	WALKING BAR ASM.				1
26	B1468053000	WALKING BAR SPRING				1
27	SS6151780SP	SCREW 15/64-28 L=17.0				1
28	21406509	UPPER FEED GUIDE PLATE				1
29	26225201	ROLLER				1
30	SS6151920SP	SCREW 15/64-28 L=19.0				1
31	SS7150740SP	SCREW 15/64-28 L=7				1
32	SS8150710SP	SCREW 15/64-28 L=7				1
33	40024852	VERTICAL DETECTOR SWITCH ASM.				1
34	SL4040881SC	SCREW M4 L=8				2
35	21438205	UPPER FEED STOPPER PLATE	OPTIONAL PARTS			1
36	EA9500B0100	CABLE BAND				1
37	B1501241H00	PRESSER BAR				1
38	CQ252000000	OIL WICK				0.02
39	40033032	PRESSER BAR HOLDER A ASM.				1
40	40033031	PRESSER BAR HOLDER A		*		1
41	SS7110910TP	SCREW 11/64-40 L=8.5		*		1
42	21340906	PRESSER ADJUSTING SCREW				1
43	22907604	PRESSER SPRING REGULATOR NUT				1
44	B1502246000	PRESSER SPRING				1
45	SD0800481SP	HINGE SCREW D=8 H=4.9				1
46	21341151	THREAD RELEASE HOLDING PLATE				1
47	B1462053000	THREAD RELEASE SPRING				1

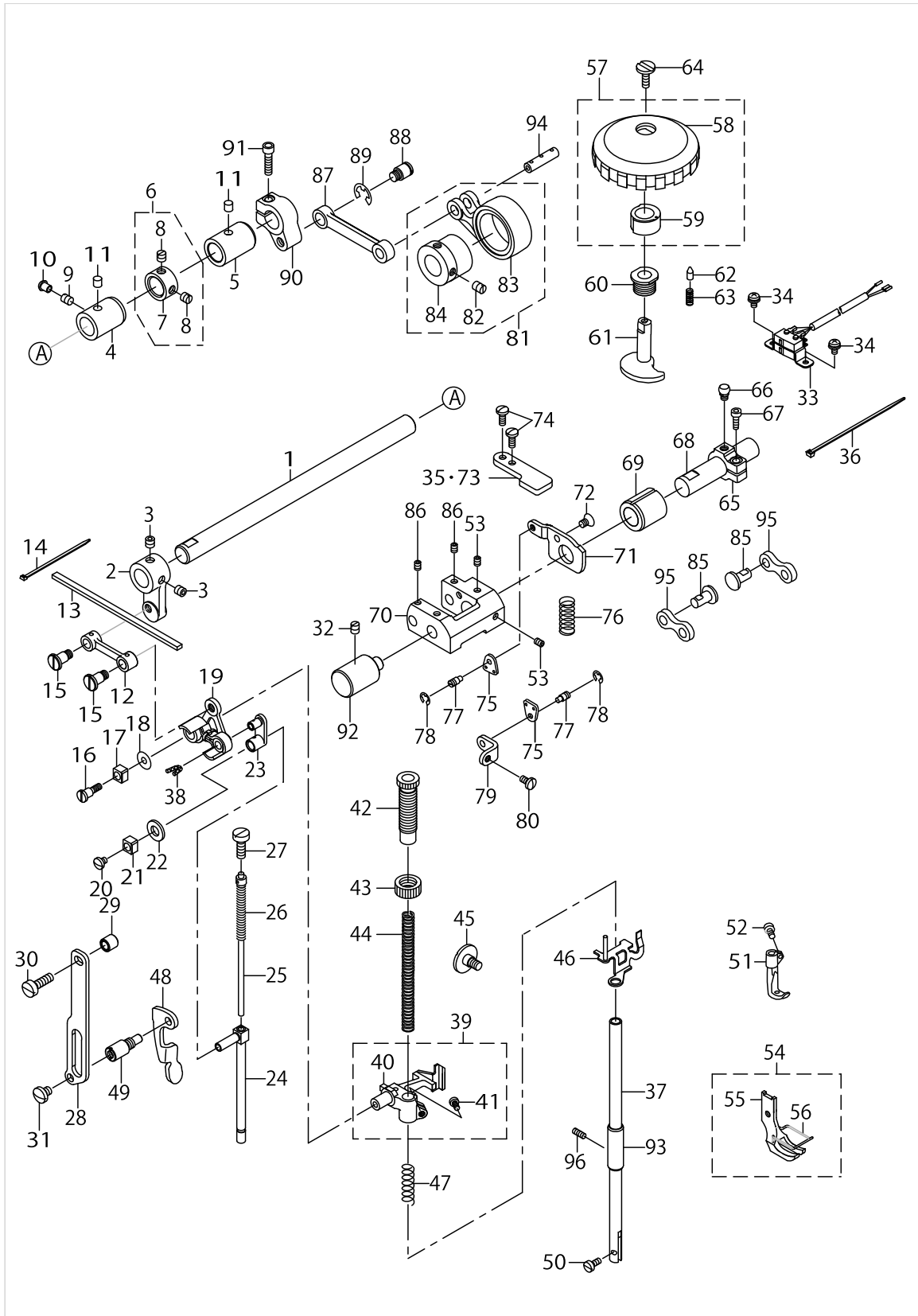
PRESSURE ADJUSTING & UPPER FEED MECHANISM COMPONENTS



PRESSURE ADJUSTING & UPPER FEED MECHANISM COMPONENTS

No.	Parts No.	Parts name	Remarks	Level	Cons	Qty
48	21406103	PRESSER LIFTER LEVER				1
49	21406608	GUIDE PLATE SPACER				1
50	SS6090910TP	SCREW 9/64-40 L=9				1
51	B1470241H00	WALKING FOOT				1
52	B1471241H00	SCREW				1
53	SM8050602TP	SCREW M5 L=6				2
54	B1525241HA0	PRESSER FOOT ASM.				1
55	B1525241H00	PRESSER FOOT		*		1
56	10337905	FINGER GUARD		*		1
57	10774354	UPPER AND LOWER DIAL ASM.				1
58	10774305	VERTICAL DIAL		*		1
59	10774404	VERTICAL CAM		*		1
60	10715100	VERTICAL DIAL SHAFT BUSHING				1
61	40108542	VERTICAL ADJUSTING CAM				1
62	10715704	VERTICAL DIAL PIN				1
63	B152652700G	SPRING				1
64	SS6110630TP	SCREW 11/64-40 L=6				1
65	21341607	VERTICAL ADJUSTING ARM				1
66	10715308	PIN				1
67	SM6051402TP	SCREW M5X0.8 L=14				1
68	21341508	VERTICAL CHANGE BASE SHAFT				1
69	10718203	FEED SHAFT FRONT METAL				1
70	10714202	VERTICAL CHANGE BELT				1
71	21339601	UPPER FEED STOPPER PLATE (A)				1
72	SM1050801SR	SCREW M5 L=8				1
73	21339700	UPPER FEED STOPPER PLATE (B)				1
74	SS7111120TP	SCREW				2
75	10713501	SPRING HOOK				2
76	10716504	VERTICAL SHAFT SPRING				1
77	B3416552000	CONNECTING ROD HINGE SCREW				2
78	RE0500000K0	E-RING				2
79	21339809	UPPER FEED DOG SPRING HOOK				1
80	SS7110830SP	SCREW 11/64-40 L=7.5				1
81	40075553	ECCENTRIC ROD(SET)				1
82	SS8660810TP	SCREW 1/4-40 L=8		*		2
83	10713758	UPPER FEED CAM ROD ASM.		*		1
84	10713600	UPPER FEED CUM		*		1
85	10714608	CONNECTION LINK B SUPPORT PIN				2
86	SM8050602TP	SCREW M5 L=6				2
87	21340005	UPPER FEED LINK (B)				1
88	21048707	HINGE SCREW				1
89	RE0800000K0	E-SHAPED SNAP RING (8MM)				1
90	21340302	UPPER FEED REAR ARM (B)				1
91	SM6052002TP	SCREW M5 L=20				1
92	21337803	FEED ADJUSTING BASE SUPPORT				1
93	B1510155000	PRESSER BAR LOWER BUSHING				1
94	10713808	CONNECTION LINK PIN B				1

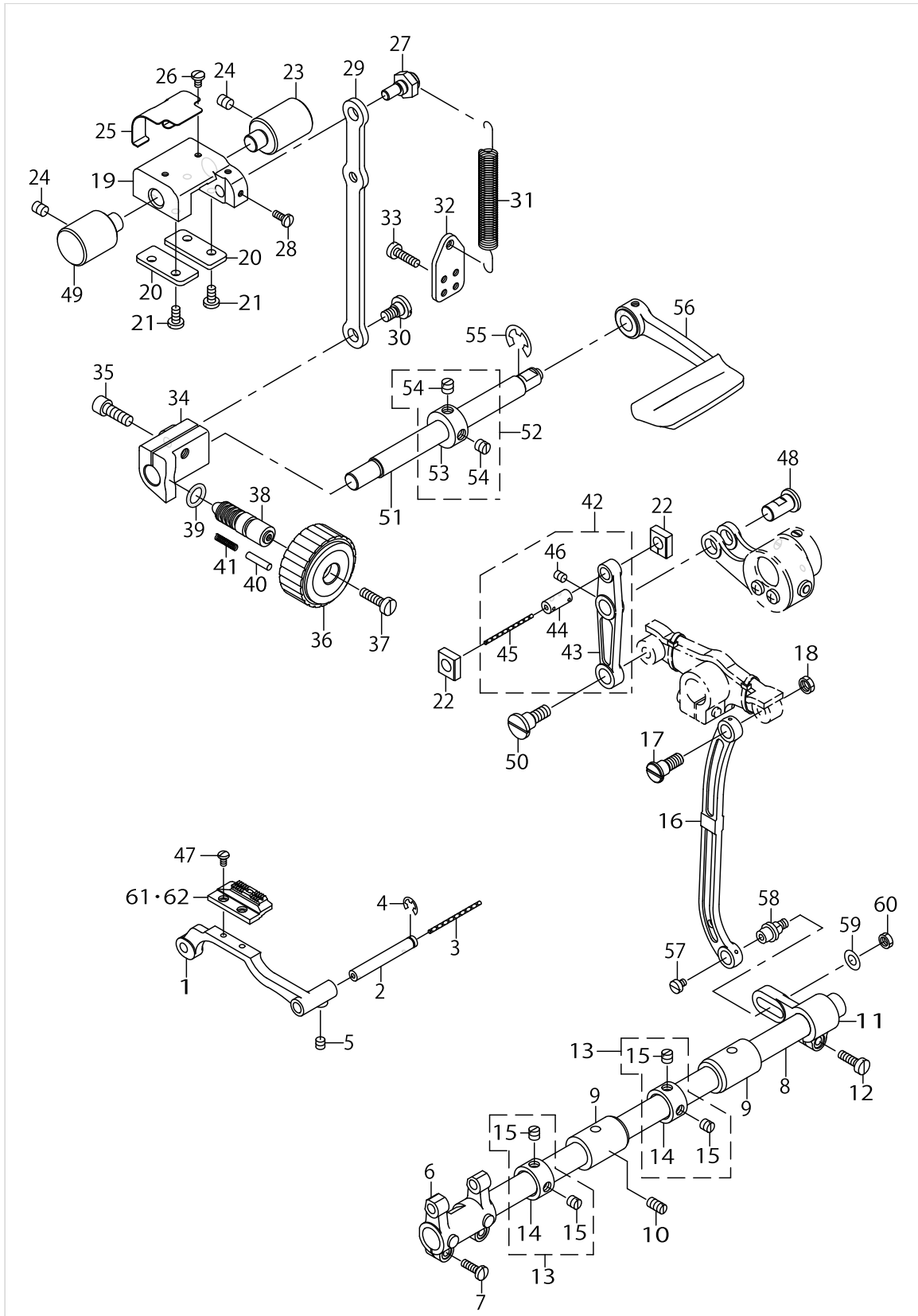
PRESSURE ADJUSTING & UPPER FEED MECHANISM COMPONENTS



PRESSURE ADJUSTING & UPPER FEED MECHANISM COMPONENTS

No.	Parts No.	Parts name	Remarks	Level	Cons	Qty
95	40107949	CONNECTION LINK B				2
96	SS8111010TP	SCREW 11/64-40 L=9.5				1

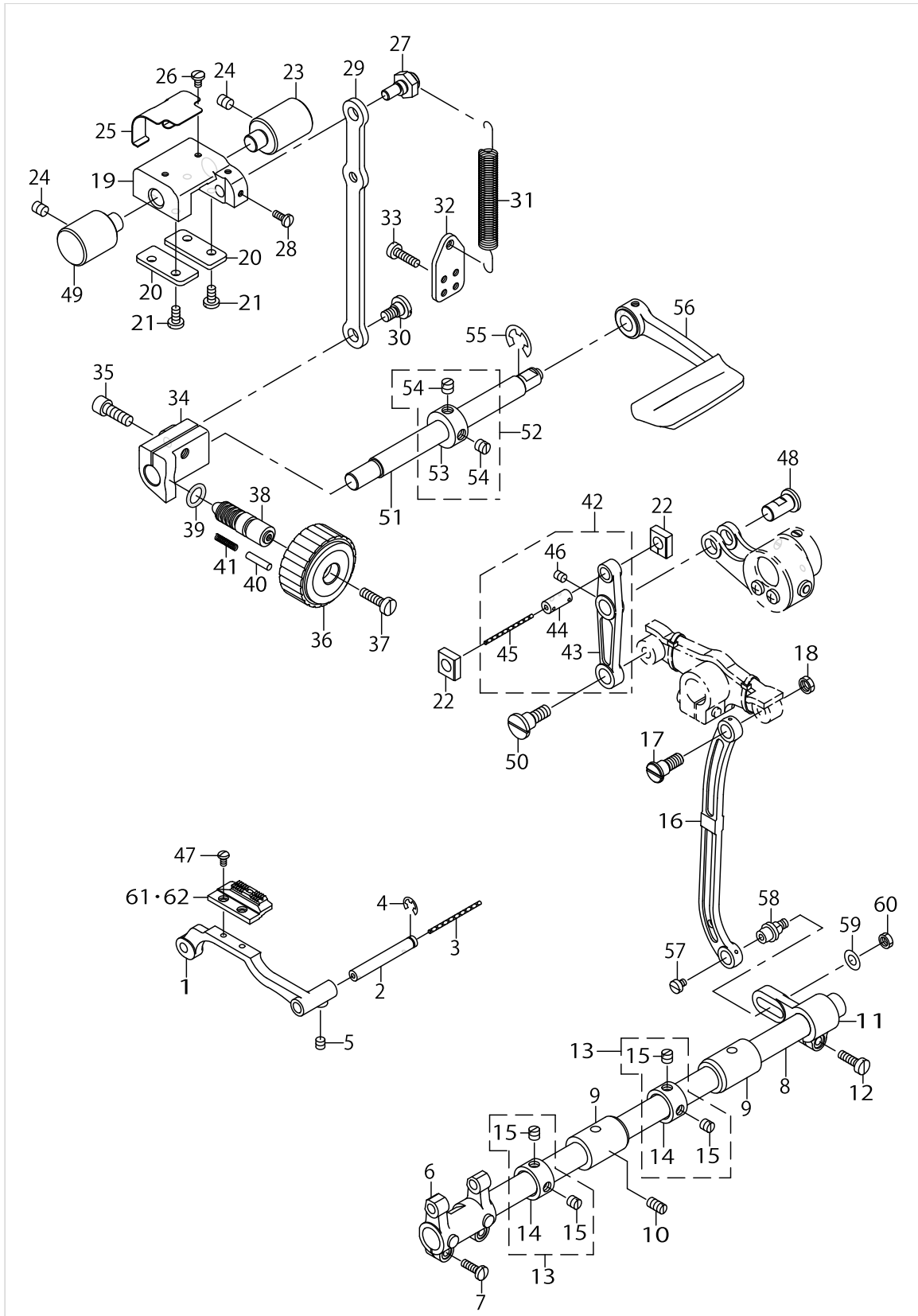
FEED MECHANISM COMPONENTS



FEED MECHANISM COMPONENTS

No.	Parts No.	Parts name	Remarks	Level	Cons	Qty
1	21405402	FEED BASE				1
2	B1604012000A	FEED BAR SHAFT				1
3	CQ202000000	OIL WICK				0.14
4	RE0500711KP	SNAP RING 5				1
5	SM8050512TP	SCREW M5 L=5				1
6	21417001	FEED ROCKER				1
7	SS7111410TP	SCREW 11/64-40 L=14				2
8	22609408	FEED ROCK SHAFT				1
9	21378302	FEED SHAFT METAL				2
10	SS8151150TP	SCREW 15/64-28 L=10.5				1
11	B3025141H00A	CONNECTING ARM				1
12	SS6121210TP	SCREW 3/16-28 L=12				1
13	22904155	MAIN SHAFT THRUST COLLAR ASM.				2
14	22904106	MAIN SHAFT THRUST COLLAR		*		1
15	SS8660610TP	SCREW 1/4-40 L=6		*		2
16	10205201	NEEDLE BAR FRAME ROD				1
17	SD0900701TP	HINGE SCREW D=9 H=7				1
18	NS6680320SP	NUT 9/32-28				1
19	21337506	FEED ADJUSTING BASE				1
20	21337704	FEED ADJUSTING BASE COVER				2
21	SS7110910TP	SCREW 11/64-40 L=8.5				4
22	21337407	SQUARE BLOCK				2
23	21337803	FEED ADJUSTING BASE SUPPORT				1
24	SS8150822TP	SCREW 15/64-28 L=8				2
25	21338306	FELT SUPPORT				1
26	SS7090610SP	SCREW 9/64-40 L=6				2
27	21337902	ECCENTRIC PIN				1
28	SS7090910TP	SCREW 9/64-40 L=8.5				2
29	21337308	FEED ADJUSTING ROD				1
30	SD0800402TP	HINGE SCREW D=8 H=4				1
31	21337605	SPRING				1
32	40019926	SPRING HOOK				1
33	SS6111610SP	SCREW 11/64-40 L=16				2
34	21337209	FEED ADJUSTING A				1
35	SM6061802TP	SCREW M6 L=18				1
36	21336805	FEED DIAL A				1
37	SS6121860SP	SCREW 3/16-28 L=18				1
38	22911804	FEED REGULATOR SCREW				1
39	RO092270200	RUBBER RING				1
40	22912000	FEED REGULATOR PIN				1
41	22912109	FEED REGULATOR PIN SPRING				1
42	21336656	FEED LINK ASM.				1
43	21336607	FEED LINK		*		1
44	40009103	CONNECTING FORKED LINK PIN		*		1
45	CQ202000000	OIL WICK		*		0.04
46	SM8050612TP	SCREW M5X6		*		1
47	SS4080620TP	SCREW 1/8-44 L=6				2

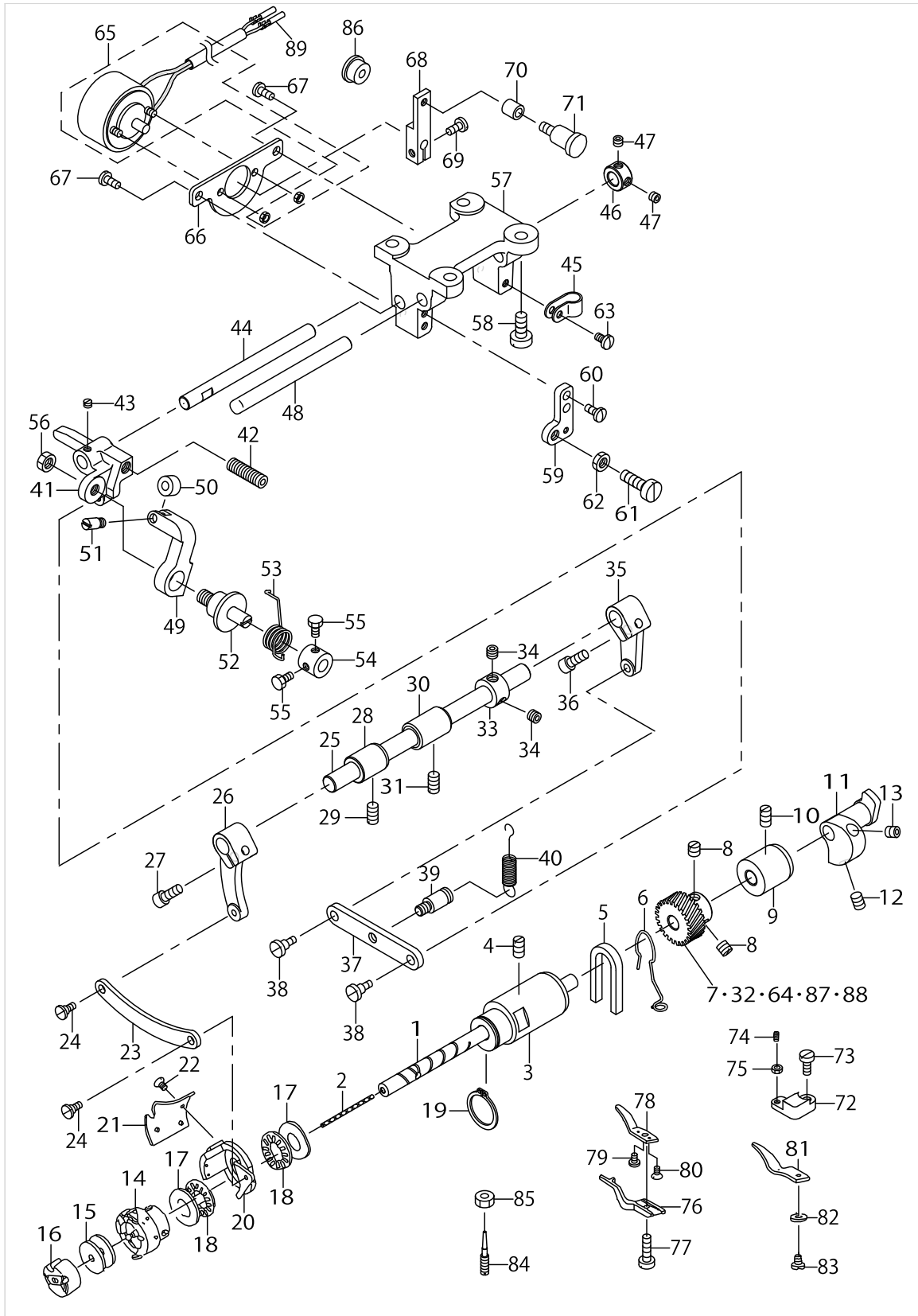
FEED MECHANISM COMPONENTS



FEED MECHANISM COMPONENTS

No.	Parts No.	Parts name	Remarks	Level	Cons	Qty
48	21338207	FEED LINK PIN				1
49	21430400	FEED ADJUSTER SUPPORT				1
50	SD1000801SH	HINGE SCREW D=10 H=8				1
51	21336300	BACKWARD FEED LEVER SHAFT				1
52	CS1201010SH	THRUST COLLAR ASM. D=12 W=10				1
53	CS1201011SH	THRUST COLLAR D=12 W=10		*		1
54	SS8660610TP	SCREW 1/4-40 L=6		*		2
55	RE0900000K0	E-RING 9				1
56	21388004	REVERSE FEED ROCK SHAFT				1
57	SS6110520TP	SCREW 11/64-40 L=4.5				1
58	40108541	FEED ROCK SHAFT HINGE SCREW				1
59	WP0650876SD	WASHER 6.5X13X0.8				1
60	NS6150310SP	NUT 15/64-28				1
61	40019908	FEED DOG(4X2.5)				1
62	40019911	FEED DOG(2.6X2.2)	OPTIONAL PARTS			1

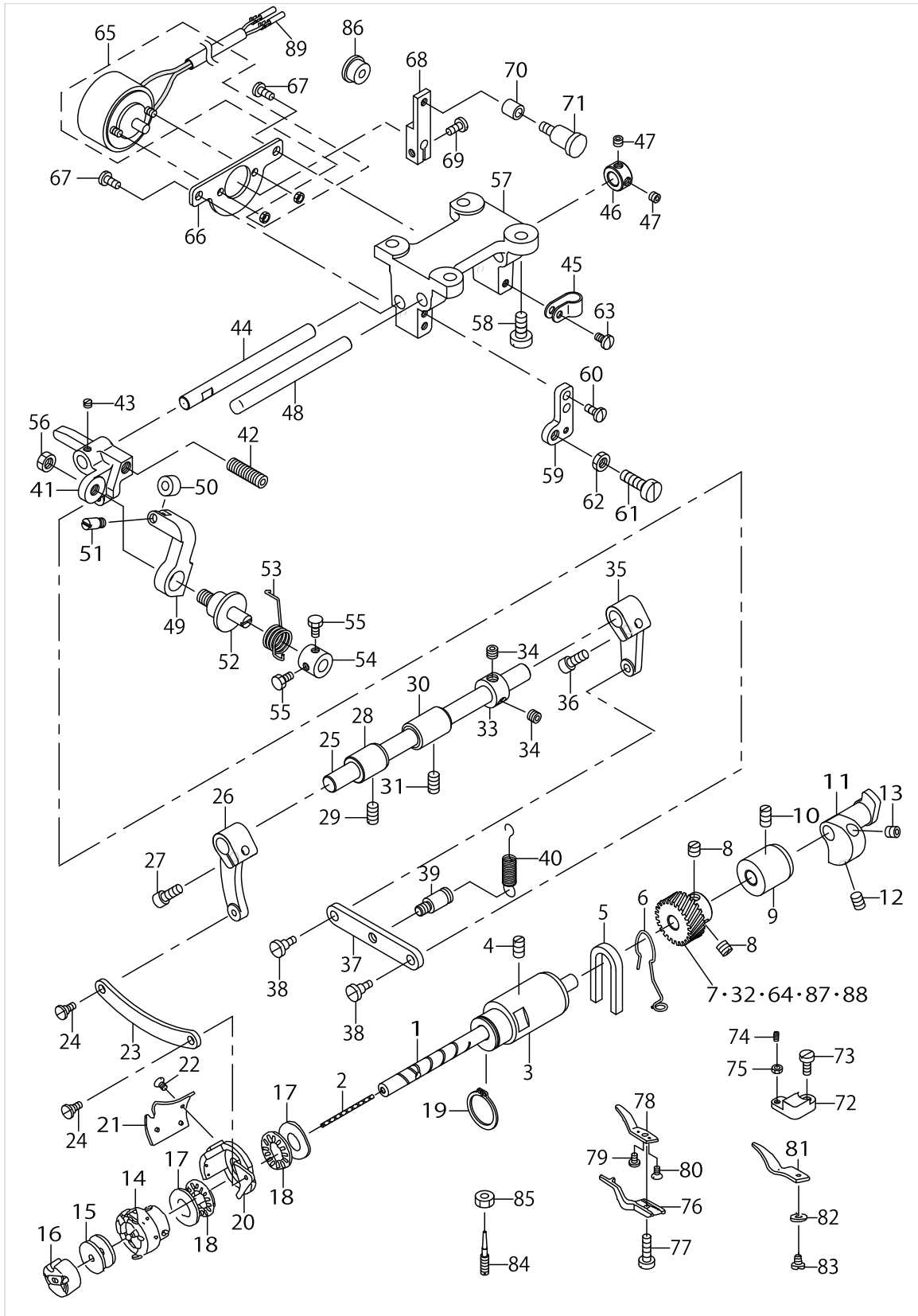
HOOK SHAFT & THREAD TRIMMER COMPONENTS



HOOK SHAFT & THREAD TRIMMER COMPONENTS

No.	Parts No.	Parts name	Remarks	Level	Cons	Qty
1	21403506	HOOK SHAFT				1
2	CQ200000000	OIL WICK				0.1
3	21403803	HOOK SHAFT BUSHING FRONT				1
4	SS8150822TP	SCREW 15/64-28 L=8				1
5	B1155141H00	FELT				1
6	21407804	FELT SUPPORT				1
7	21404009	HOOK SHAFT GEAR A	SELECTIVE PARTS			1
8	SS8660610TP	SCREW 1/4-40 L=6				2
9	B1803141H00	BUSHING INTERMEDIATE				1
10	SS8150822TP	SCREW 15/64-28 L=8				1
11	21416607	THREAD TRIMMER CAM				1
12	SM8060812TP	SCREW M6 L=8				1
13	SM8060612TP	SCREW M6 L=6				1
14	D1830241EA0	HOOK ASM.				1
15	D9117141E00	BOBBIN				1
16	D1837141EA0	BOBBIN CASE ASM.				1
17	D2455141E00	RING				2
18	D2454141E00	BEARING				2
19	RC1850001KP	SNAP RING 18.5				1
20	D2415241E00A	MOVING KNIFE BASE				1
21	D2423241E00	MOVING KNIFE				1
22	SS1110710SP	SCREW 11/64-40 L=7				2
23	21416300	CONNECTING LINK				1
24	SD0500301SP	HINGE SCREW D=5 H=3				2
25	21415906	KNIFE DRIVING SHAFT				1
26	21415708	KNIFE DRIVING SHAFT ARM FRONT				1
27	SM6051202TP	SCREW M5X0.8 L=12				1
28	21416102	SHAFT BUSHING FRONT				1
29	SS8151150TP	SCREW 15/64-28 L=10.5				1
30	21416201	SHAFT BUSHING REAR				1
31	SS8151150TP	SCREW 15/64-28 L=10.5				1
32	21404306	HOOK SHAFT GEAR D	SELECTIVE PARTS			1
33	CS1001012TH	THRUST COLLAR				1
34	SS8660512TP	SCREW 1/4-40 L=5				2
35	21415807	KNIFE DRIVING SHAFT ARM REAR				1
36	SM6051202TP	SCREW M5X0.8 L=12				1
37	21416003	CONNECTING LINK				1
38	SD0600403TP	HINGE SCREW				2
39	26212308	BELT COVER SCREW				1
40	21416508	SPRING				1
41	21415500	CAM DRIVING BRACKET				1
42	D2445141E00	SCREW A				1
43	SS8110320SP	SCREW 11/64-40 L=3.2				1
44	21415609	CAM DRIVING SHAFT				1
45	HX00123000A	CABLE CLIP				1
46	CS0800881TP	THRUST COLLAR				1
47	SM8050412TP	SCREW M5 L=4				2

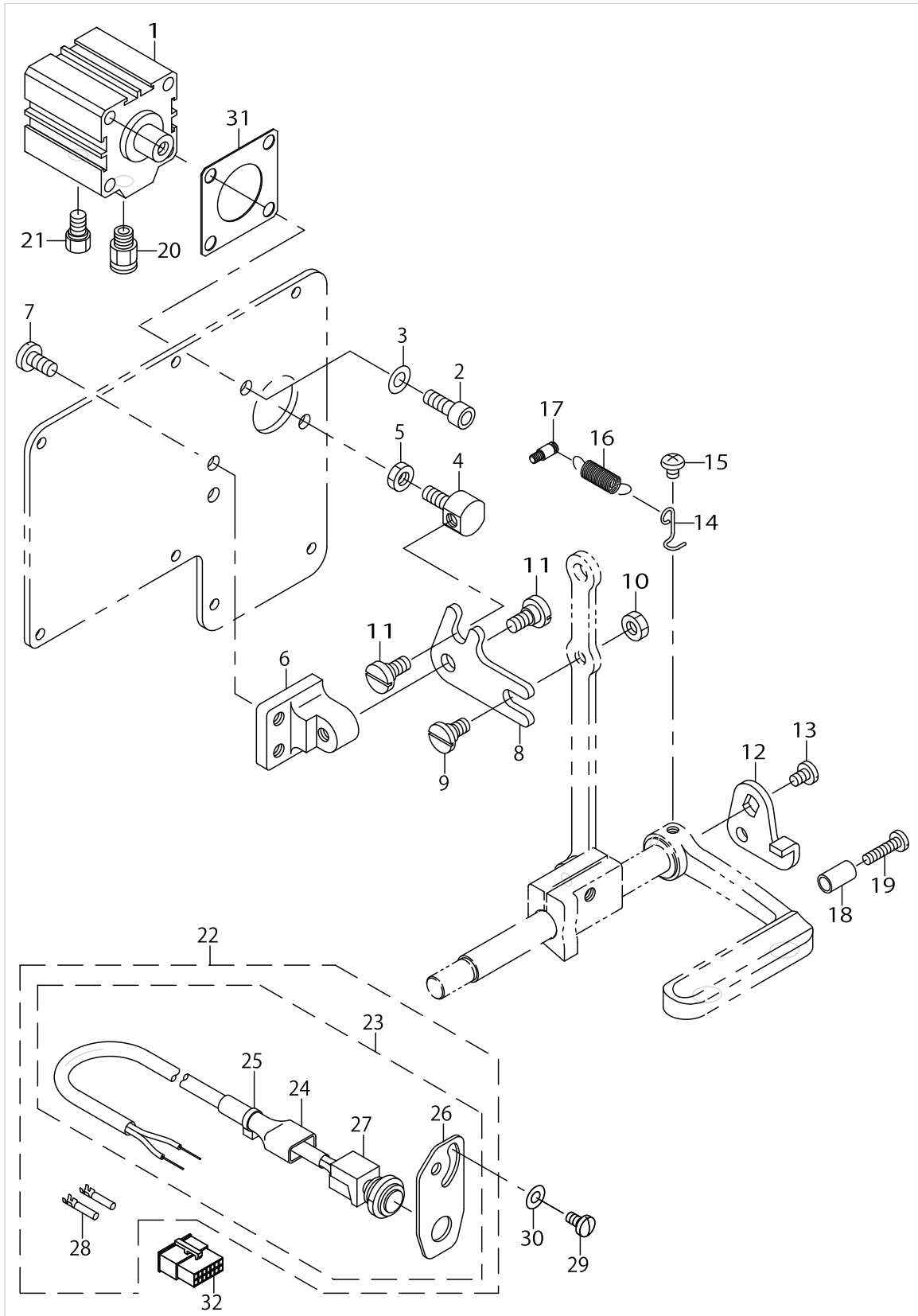
HOOK SHAFT & THREAD TRIMMER COMPONENTS



HOOK SHAFT & THREAD TRIMMER COMPONENTS

No.	Parts No.	Parts name	Remarks	Level	Cons	Qty
48	21415401	THREAD TRIMMER DRIVING SHAFT				1
49	D2431141E00	CAM FOLLOWER				1
50	D2432141E00	CAM ROLLER				1
51	D2444141E00	HINGE SCREW				1
52	D2434141E00A	CAM FOLLOWER SHAFT				1
53	D2435141E00A	SPRING				1
54	D2439141E00	THRUST COLLAR				1
55	SS9090813TP	SCREW 9/64-40 L=8				2
56	NS6660430SP	NUT 1/4-40				1
57	21415302	THREAD TRIMMER BASE				1
58	SS6151440SP	SCREW 15/64-28 L=14				4
59	21416409	STOPPER PLATE ASM.				1
60	SS7110910TP	SCREW 11/64-40 L=8.5				2
61	SS6151920SP	SCREW 15/64-28 L=19.0				1
62	NS6150310SP	NUT 15/64-28				1
63	SS7110710SP	SCREW 11/64-40 L=7				1
64	21403902	HOOK SHAFT GEAR Z	SELECTIVE PARTS			1
65	21415005	SOLENOID				1
66	21415104	SOLENOID INSTALLING PLATE				1
67	SS7110710SP	SCREW 11/64-40 L=7				2
68	21415203	SOLENOID ARM				1
69	SS7110910SP	SCREW 11/64-40 L=8.5				1
70	B3031141H00	CONNECTING STUD				1
71	D2423245E00	CAM ROLLER ARM				1
72	21416706	ADJUSTING SCREW BASE				1
73	SS6111010SP	SCREW 11/64-40 L=9.5				1
74	D2443241E00	ADJUSTING SCREW				1
75	NS6080210SP	NUT 1/8-44				1
76	21403704	BOBBIN CASE POSITIONING FINGER				1
77	SS6111010TP	SCREW 11/64-40 L=9.5				1
78	D2424241E00	COUNTER KNIFE				1
79	SS7080510TP	SCREW 1/8-44 L=4.5				1
80	SS1080620SP	SCREW 1/8-44 L=6				1
81	D2429241E00	UPPER THREAD CLAMP SPRING				1
82	WP0450000SD	WASHER 4.5X8X0.5				1
83	SS7110410SP	SCREW 11/64-40 L=4				1
84	B1834512000A	OIL ADJUSTING SCREW				1
85	NS6110530SP	NUT 11/64-40				1
86	10622009	COAD BUSH				1
87	21404207	HOOK SHAFT GEAR C	SELECTIVE PARTS			1
88	21404108	HOOK SHAFT GEAR B	SELECTIVE PARTS			2
89	HK03464000B	PIN CONTACT				1

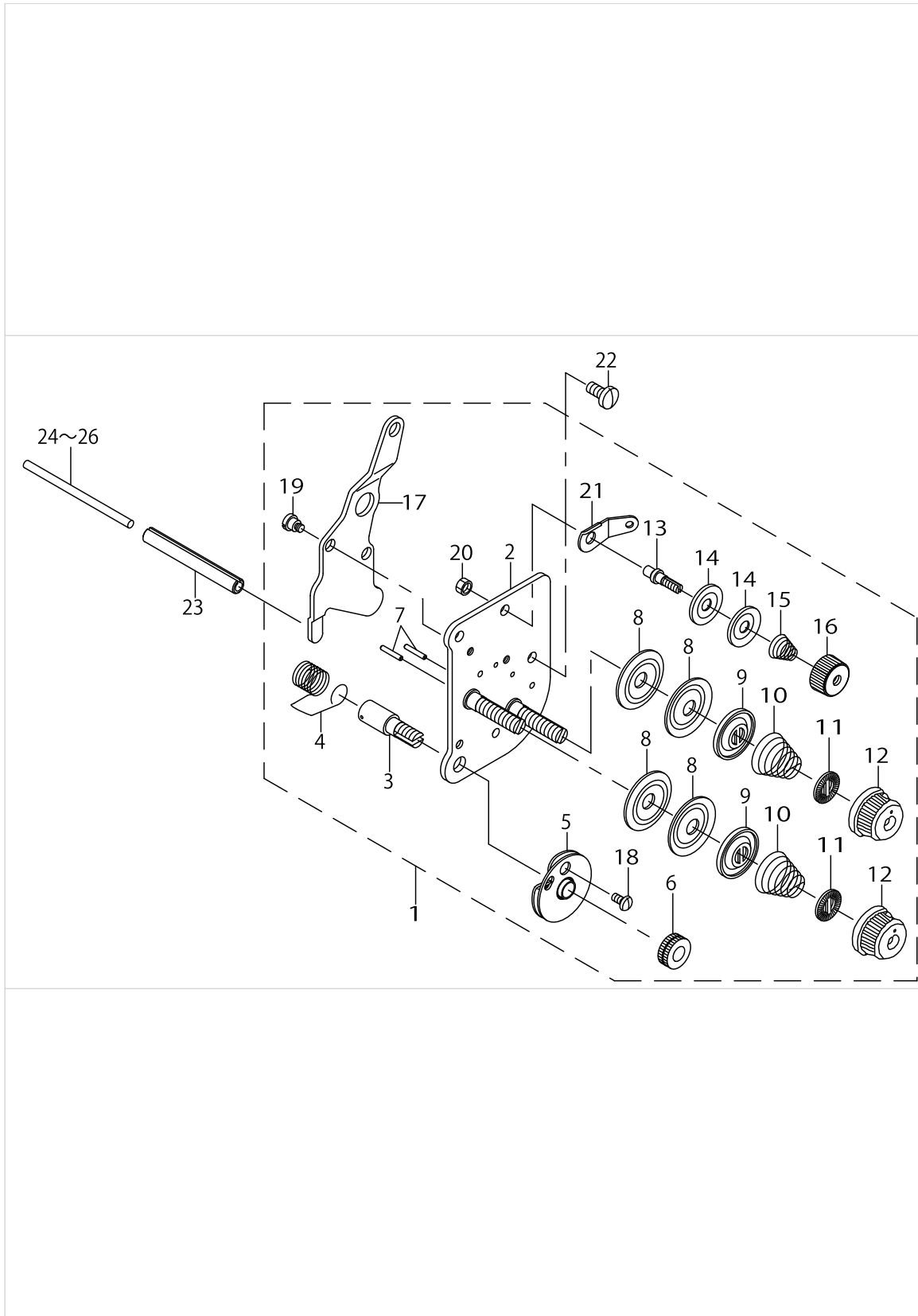
AUTOMATIC BACK COMPONENTS



AUTOMATIC BACK COMPONENTS

No.	Parts No.	Parts name	Remarks	Level	Cons	Qty
1	PA320150200	JIG CYLINDER				1
2	SM6061602TP	SCREW M6 L=16				2
3	WP0641601SD	WASHER M6				2
4	21348602	CYLINDER CONNECTING SCREW				1
5	NM6060003SC	NUT M6				1
6	21348503	FITTING BASE				1
7	SS7151210SP	SCREW 15/64-28 L=12				2
8	21348701	BACKWARD FEED LINK				1
9	SD0800402TP	HINGE SCREW D=8 H=4				1
10	NS6150430SP	NUT 15/64-28				1
11	SD0800352SP	HINGE SCREW D=8 H=3.5				2
12	22656102	REVERSE FEED LINK (1)				1
13	SS7120760SP	SCREW 3/16-28 L=7.0				1
14	40023289	SPRING SUSPENSION				1
15	SS4120615SP	SCREW 3/16-28 L=6				1
16	13515606	SPRING				1
17	10120004	SPRING SUSPENSION				1
18	22952501	BACK LEVER STOPPER				1
19	SS7111810SP	SCREW 11/64-40 L=18				1
20	PJ301065104	HALF UNION				1
21	PX015101000	MUFFLER				1
22	40056366	BT SWITCH C ASM.				1
23	40056365	BT SWITCH B ASM.		*		1
24	GTS01037000	CONNECTOR COVER		*		1
25	EA9500B0100	CABLE BAND		*		1
26	21388608	CABLE BAND		*		1
27	40056364	BT SWITCH A ASM.		*		1
28	HK03464000A	TERMINAL FEMALE		*		2
29	SS7110840SP	SCREW 11/64-40 L=7.8				2
30	WP0501016SD	WASHER 5X10.5X1				2
31	21349105	CYLINDER PACKING				1
32	HK034610120	HOUSING 12P				1

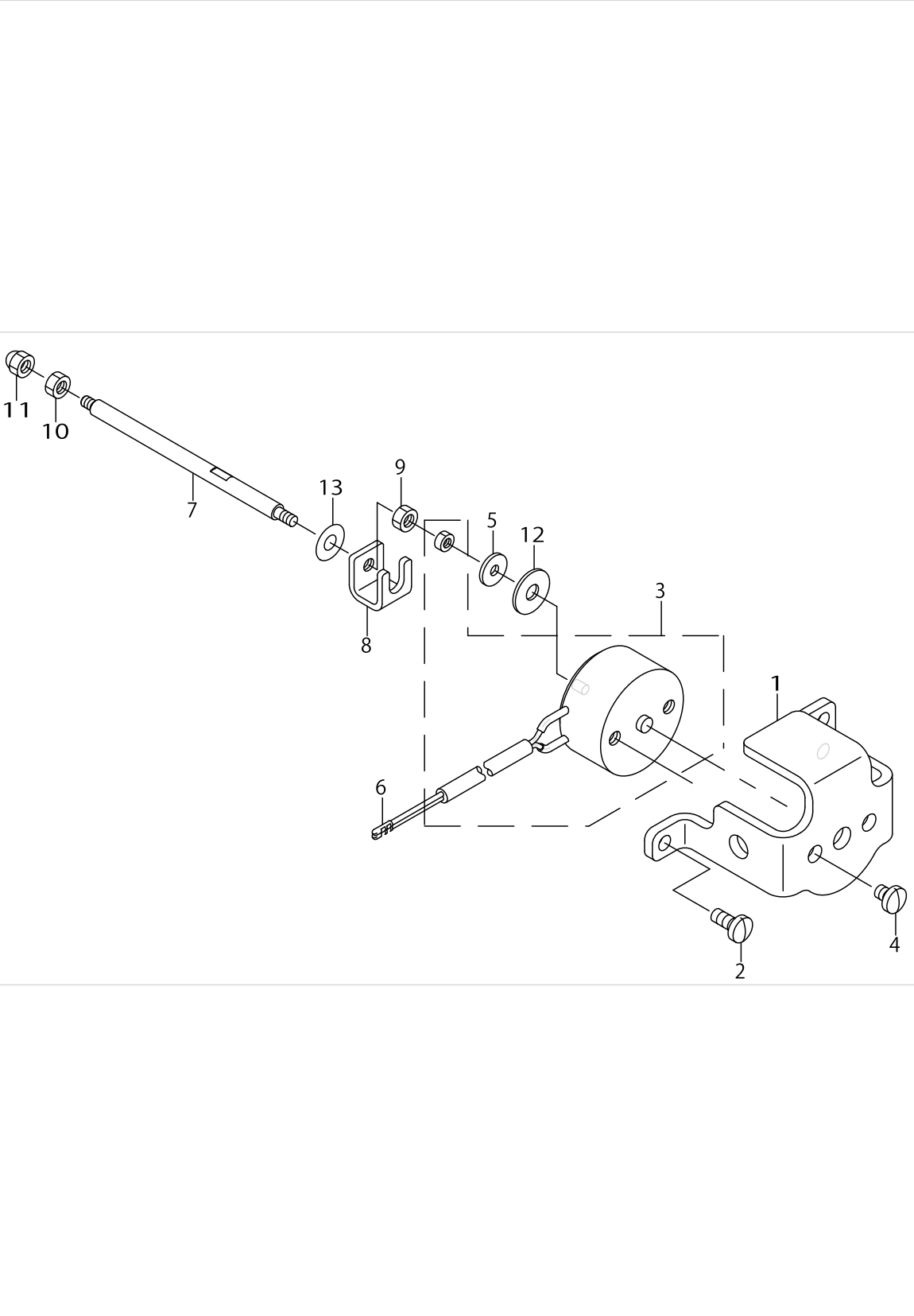
THREAD TENSION COMPONENTS



THREAD TENSION COMPONENTS

No.	Parts No.	Parts name	Remarks	Level	Cons	Qty
1	40103925	THREAD TENSION ASM.				1
2	21441050	TENSION POST COMPL.		*		1
3	10320109	SCREW STUD		*		1
4	B3128520000	TENSION SPRING		*		1
5	B31370510A0	TAKE-UP SPRING GUIDE DISC ASM.		*		1
6	B3125012000	THREAD TENSION NUT		*		1
7	22618201	TENSION RELEASE PIN A		*		2
8	13138201	THREAD TENSION DISK		*		4
9	22617906	THREAD TENSION DISK PRESSER		*		2
10	B3129526000	TENSION SPRING (1.2)		*		2
11	22921407	ROTATION STOPPER		*		2
12	22921308	THREAD TENSION NUT		*		2
13	10124204	THREAD TENSION POST A		*		1
14	10741106	FIRST THREAD TENSION PLATE		*		2
15	22945505	THREAD TENSION SPRING		*		1
16	22945703	THREAD TENSION NUT		*		1
17	21441100	TENSION RELEASE PLATE		*		1
18	SS4080620TP	SCREW 1/8-44 L=6		*		1
19	SD0470281SP	HINGE SCREW D=4.7 H=2.8		*		2
20	NS6110310SP	NUT 11/64-40		*		1
21	D3162555B00	THREAD GUIDE		*		1
22	SS7110910TP	SCREW 11/64-40 L= 8.5				2
23	PS0600502KP	SPRING PIN				1
24	21348206	TENSION RELEASE BAR	SELECTIVE PARTS			1
25	10321107	TENSION RELEASE BAR	SELECTIVE PARTS			1
26	23006406	TENSION RELEASE BAR				1

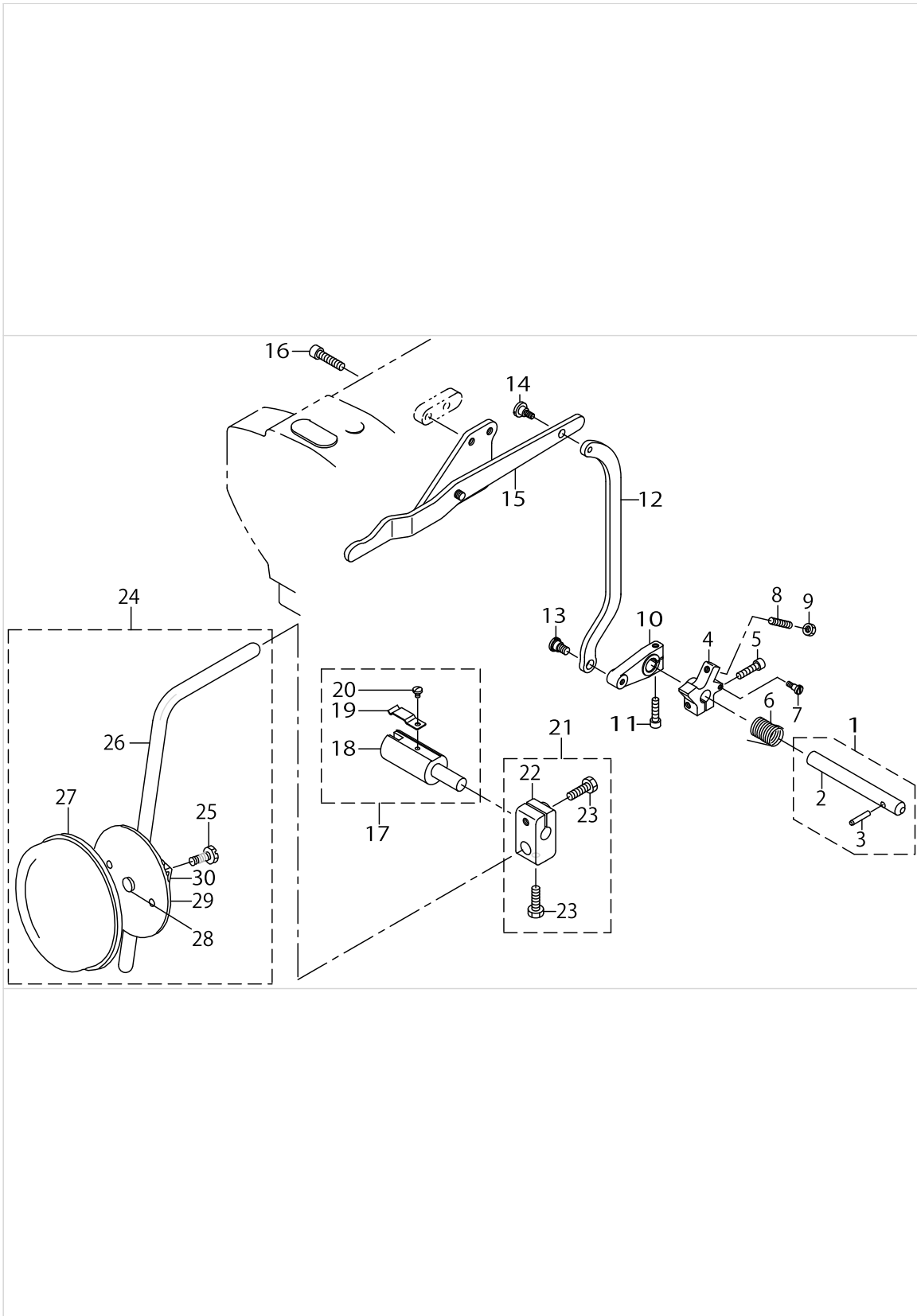
THREAD RELEASE COMPONENTS



THREAD RELEASE COMPONENTS

No.	Parts No.	Parts name	Remarks	Level	Cons	Qty
1	21441407	SOLENOID INSTALLING PLATE				1
2	SS7110910TP	SCREW 11/64-40 L=8.5				3
3	21363106	TENSION RELEASE SOLENOID				1
4	SS7110570SP	SCREW 11/64-40 L=4.8				2
5	40062388	WASHER				1
6	HK03464000B	PIN CONTACT				2
7	21441209	TENSION RELEASE BAR				1
8	21441308	COUPLING				1
9	NM6040001SN	NUT M4X0.7				1
10	NM6040001SN	NUT M4X0.7				1
11	NM7040062SB	NUT M4				1
12	WP0501046SC	WASHER 5X14X1				1
13	WP0482086SD	WASHER 4.8X11.5X2				1

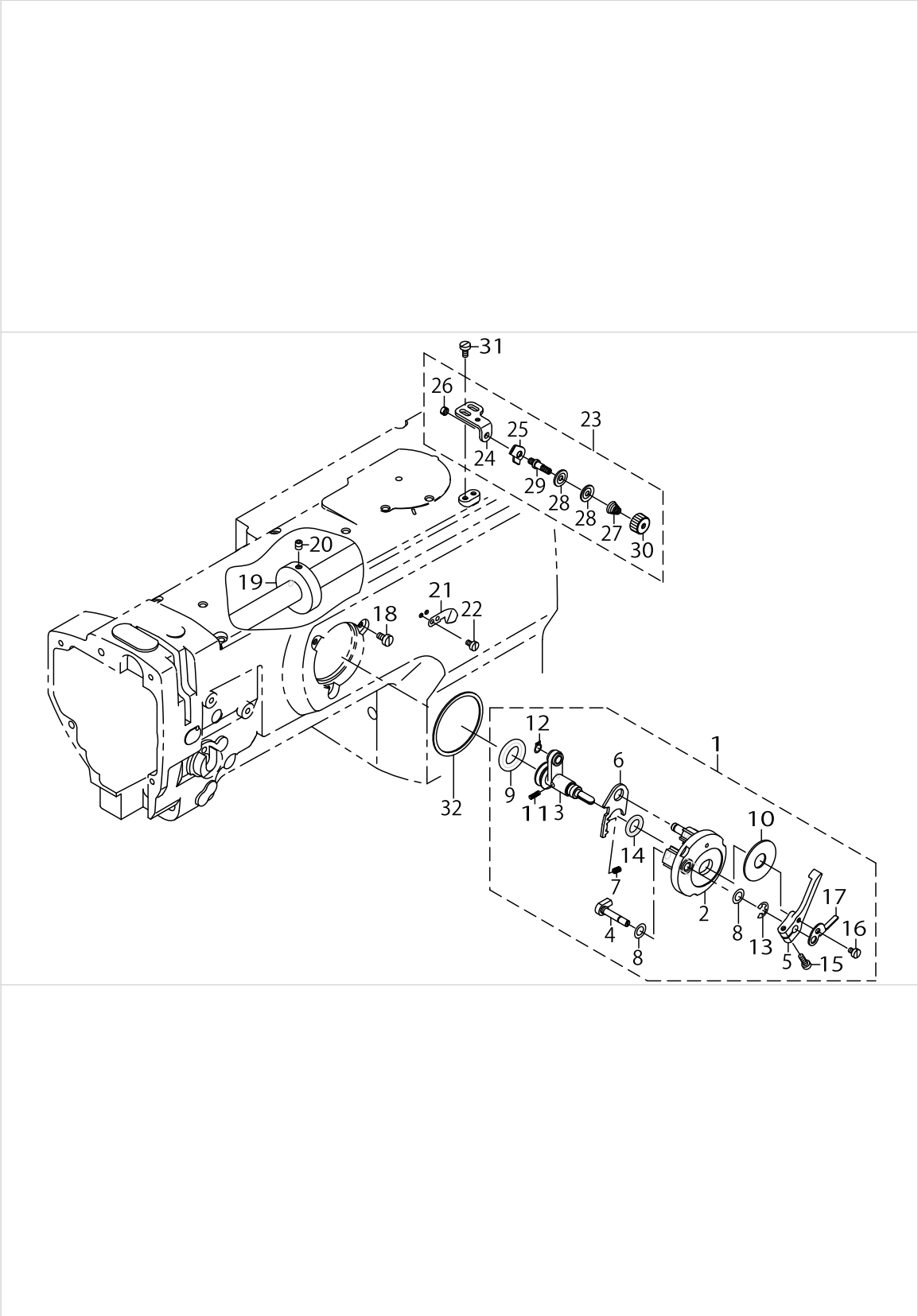
KNEE LIFTING MECHANISM COMPONENTS



KNEE LIFTING MECHANISM COMPONENTS

No.	Parts No.	Parts name	Remarks	Level	Cons	Qty
1	21406053	KNEE LIFTER SHAFT ASM.				1
2	21406004	KNEE LIFTER SHAFT		*		1
3	21342605	KNEE LIFTER SHAFT PIN		*		1
4	21405808	KNEE LIFTER SPRING RACK				1
5	SM6052002TP	SCREW M5 L=20				1
6	21405907	KNEE LIFTER SHAFT SPRING				1
7	SD0500481TP	HINGE SCREW D=5 H=4.8				1
8	SM8052502TP	SCREW M5X0.8 L=25				1
9	NM6050001SD	NUT M5X0.8				1
10	21405709	KNEE LIFTER ARM				1
11	SM6052002TP	SCREW M5 L=20				1
12	21405600	KNEE LIFTER CONNECTING PLATE				1
13	SD0790451SP	HINGE SCREW D=7.94 H=4.5				1
14	SD0700451TP	HINGE SCREW D=7 H=4.5				1
15	21343355	KNEE LIFTER LEVER ASM.				1
16	SM6062502TP	SCREW M6 L=25				2
17	22863252	KNEE LIFTER JOINT ASM.				1
18	22863203	KNEE LIFTER JOINT		*		1
19	B3428521000	PRESSER SPRING		*		1
20	SS7090510SP	SCREW 9/64-40 L=4.6		*		1
21	22932453	BRACKET ASM.				1
22	22932404	BRACKET		*		1
23	22934707	SCREW		*		2
24	21343157	KNEE PRESS PLATE ASM.				1
25	SM9061203SE	SCREW M6 L=12		*		1
26	21343108	KNEE PRESS LEVER		*		1
27	22934509	KNEE PAD PLATE COVER		*		1
28	22934400	KNEE PAD PLATE RUBBER		*		1
29	22934202	KNEE PAD PLATE		*		1
30	22934301	KNEE PAD PLATE SUPPORT		*		1

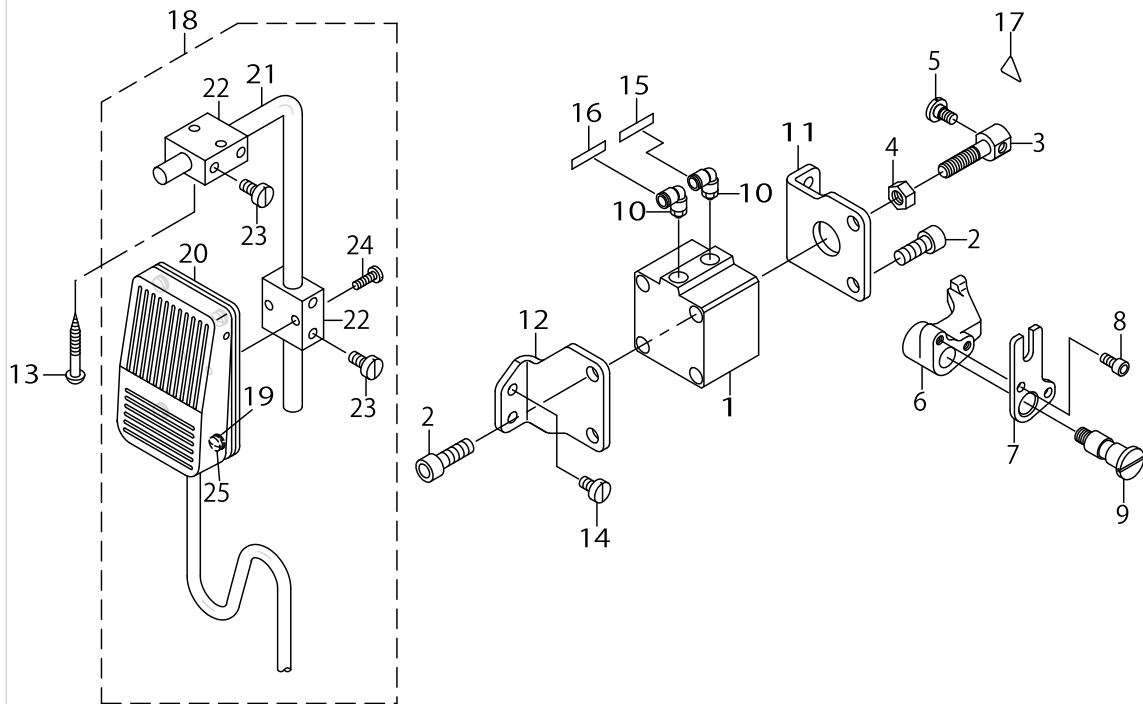
LOWER THREAD WINDER MECHANISM COMPONENTS



LOWER THREAD WINDER MECHANISM COMPONENTS

No.	Parts No.	Parts name	Remarks	Level	Cons	Qty
1	21357967	BOBBIN DEVICE ASM.				1
2	22537658	BOBBIN FITTING BASIS COMPL.		*		1
3	21357959	BOBIN SHAFT COMPL.		*		1
4	22538151	BOBBIN CAM SHAFT COMPL.		*		1
5	23636202	BOBBIN LEVER		*		1
6	21356001	ADJUSTING PLATE		*		1
7	B152989000CA	PRESSUR FOOT SPRING		*		1
8	10618304	VERTICAL ROLLER WASHER		*		2
9	21358205	RUBBER RING		*		1
10	B3205210000	CUSHION		*		1
11	B1148555000	SPRING		*		1
12	RC0560711KP	RETAINING RING		*		1
13	RE0500000K0	E-RING		*		1
14	RO092270200	RUBBER RING		*		1
15	SS7091410SP	SCREW 9/64-40 L=13.5		*		1
16	SS6090520SP	SCREW 9/64-40 L=5.0		*		1
17	14512503	BOBBIN ADJUSTING PLATE		*		1
18	SS6110810TP	SCREW 11/64-40 L=8				3
19	10704807	BOBBIN FRICTION WHEEL				1
20	SM8050602TP	SCREW M5 L=6				2
21	10502300	THREAD CUTTER				1
22	SS6090620TP	SCREW				2
23	21355755	LOWER THREAD GUIDE ASM.				1
24	21355706	FITTING BASE		*		1
25	D3162555B00	THREAD GUIDE		*		1
26	NS6110310SP	NUT 11/64-40		*		1
27	22945505	THREAD TENSION SPRING		*		1
28	40113092	THREAD TENSION DISK		*		2
29	21378708	THREAD TENSION POST		*		1
30	22945703	THREAD TENSION NUT		*		1
31	SM6040800SP	SCREW				2
32	22538706	PACKING				1

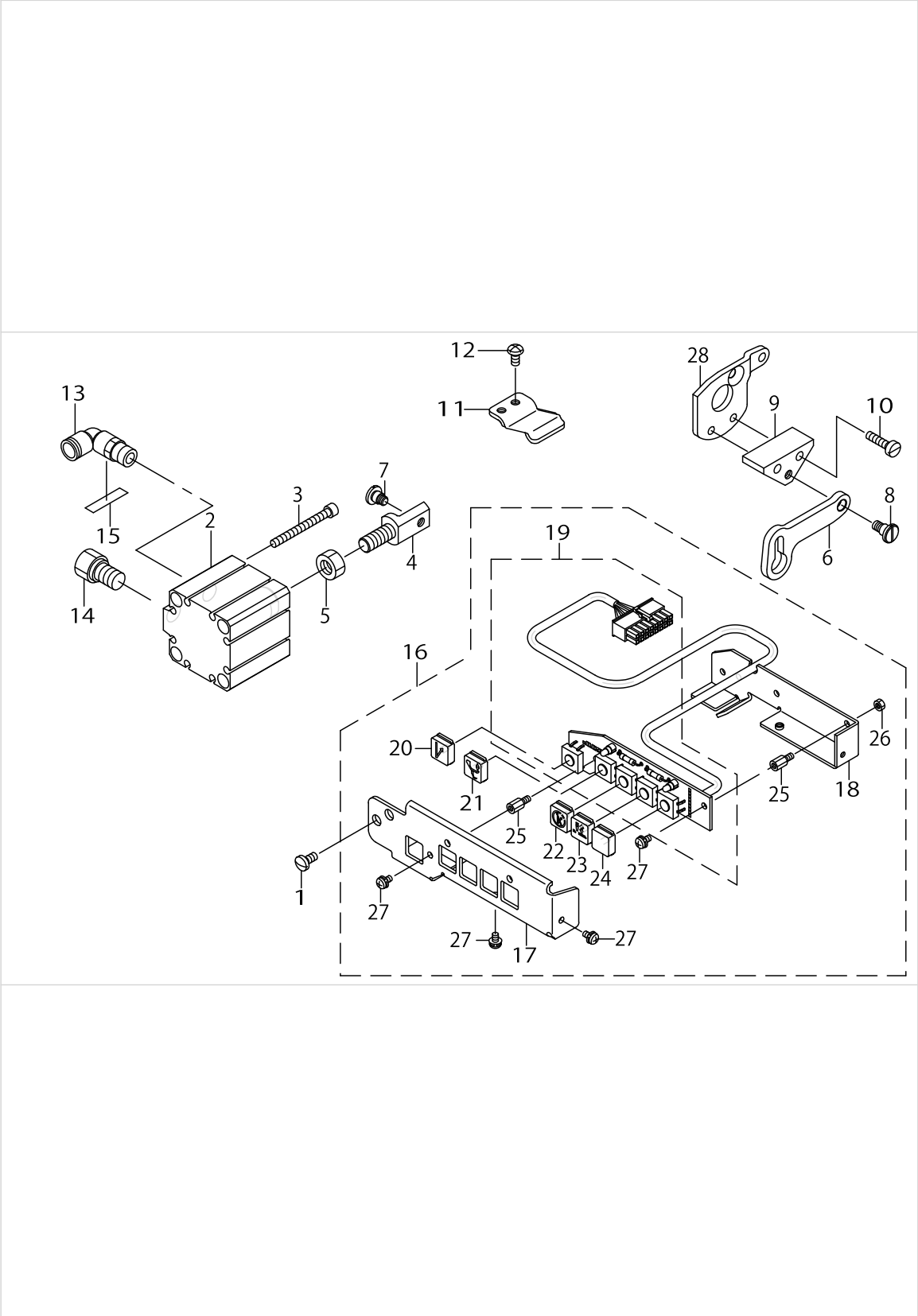
AUTOMATIC PRESSER LIFTING MECHANISM (OPTION) COMPONENTS



AUTOMATIC PRESSER LIFTING MECHANISM (OPTION) COMPONENTS

No.	Parts No.	Parts name	Remarks	Level	Cons	Qty
1	PA400150100	AIR CYLINDER				1
2	SM6082002TP	SCREW M8 L=20				4
3	21356506	CYLINDER CONNECTING SCREW				1
4	NM6080001SE	NUT M8				1
5	SD0720331SP	HINGE SCREW D=7.24 H=3.3				1
6	21388509	PRESSER LIFTER LEVER A				1
7	21356803	LEVER B				1
8	SM6051002TP	SCREW M5X0.8 L=10				2
9	21356704	SHAFT				1
10	PJ304065101	ELBOW UNION 6XPT1/8				2
11	21356308	CYLINDER STAY(FRONT)				1
12	21356407	CYLINDER STAY(REAR)				1
13	SK3514000SC	WOOD SCREW D=5.1 L=40				2
14	SS6151040SP	SCREW 15/64-28 L=10				4
15	HX00295000A	WIRE MARK(2)				1
16	HX00295000B	WIRE MARK(3)				1
17	CM300200001	ATTENTION SEAL				1
18	40025036	KNEE SWITCH ASM.				1
19	WP0480856SP	WASHER 4.8X8.4X0.8		*		4
20	40025035	KNEE SWITCH ASM.		*		1
21	MAT80231T00	DRIVING BAR T002		*		1
22	MAT80230T00	KNEE SWITCH SUPPORT BASE		*		2
23	SS6151220SP	SCREW 15/64-28 L=11.5		*		4
24	SS7111410SP	SCREW 11/64-40 L=14		*		2
25	SS7110710SL	SCREW 11/64-40 L=7.0		*		4

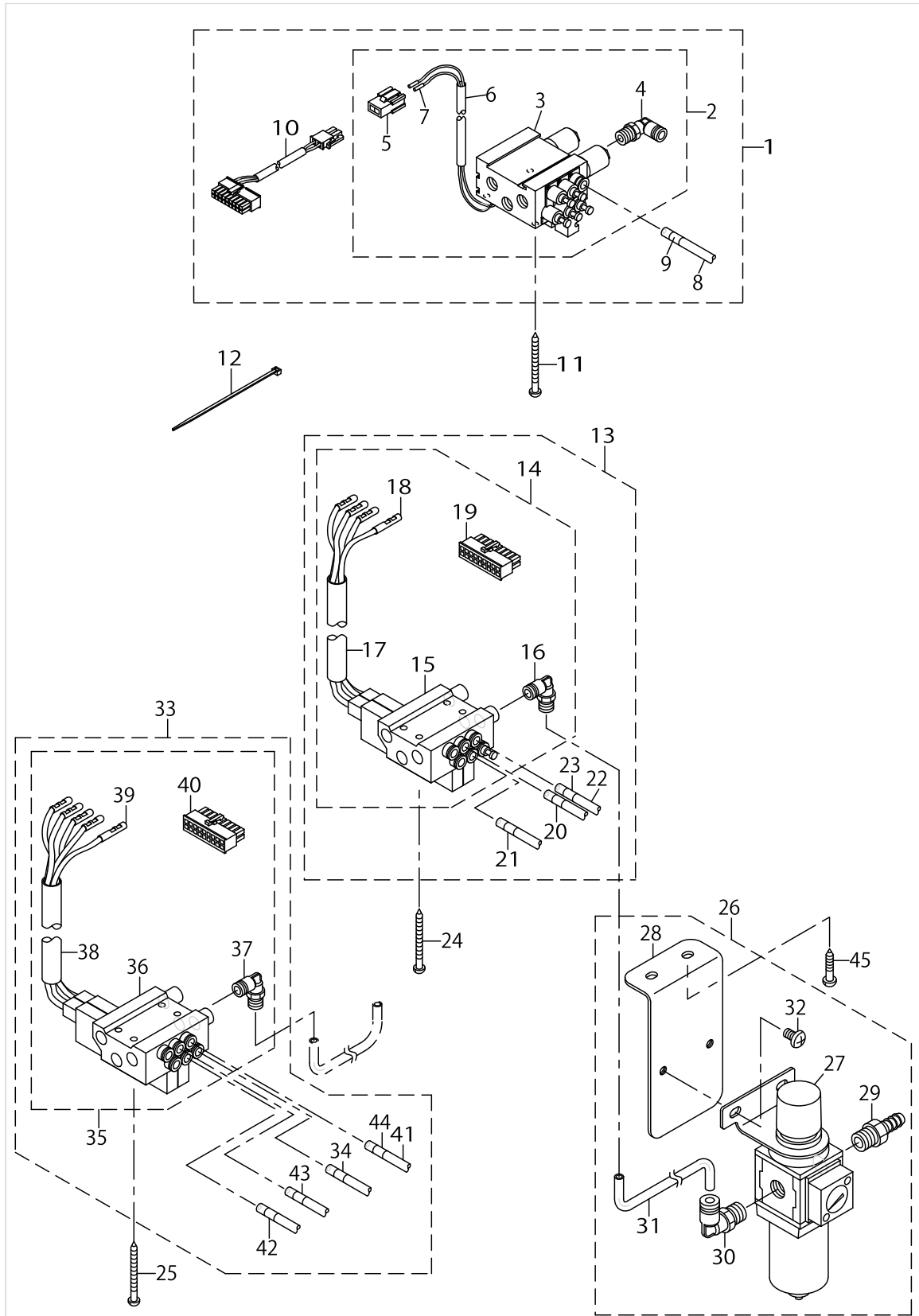
DL MECHANISM (OPTION) COMPONENTS



DL MECHANISM (OPTION) COMPONENTS

No.	Parts No.	Parts name	Remarks	Level	Cons	Qty
1	SS7110840SP	SCREW 11/64-40 L=7.8				2
2	PA320200100	JIG CYLINDER				1
3	SM6044002TP	SCREW				2
4	21438403	CYLYNDER CONNECTING SCREW				1
5	NM6080721SE	NUT M8				1
6	21438502	MUTUAL VERTICAL LINK				1
7	SD0600403TP	HINGE SCREW				1
8	SD0600454TP	SHOULDER SCREW				1
9	21438601	MUTUAL VERTICAL LINK SPASER				1
10	SS6111610SP	SCREW 11/64-40 L=16				2
11	21438700	MUTUAL VERTICAL LINK SUPPORT				1
12	SS4110815SP	SCREW 11/64-40 L=8				2
13	PJ304065101	ELBOW UNION 6XPT1/8				1
14	PX015101000	MUFFLER				1
15	HX00295000C	WIRE MARK(4)				1
16	40102062	5RANGE SWITCH ASM.				1
17	21442603	SWITCH COVER		*		1
18	21442702	SWITCH CIRCUIT FITTING BASE		*		1
19	40102061	5RANGE SWITCH SUB ASM.		*		1
20	21442900	KEY TOP A		*		1
21	21443007	KEY TOP B		*		1
22	21443106	KEY TOP C		*		1
23	21443205	KEY TOP D		*		1
24	21443809	KEY TOP F		*		1
25	HX00354000N	SPACER		*		4
26	NM6030001SC	NUT M3		*		3
27	SL4030631SC	SCREW M3X6		*		4
28	21438106	STOPPER PLATE B				1

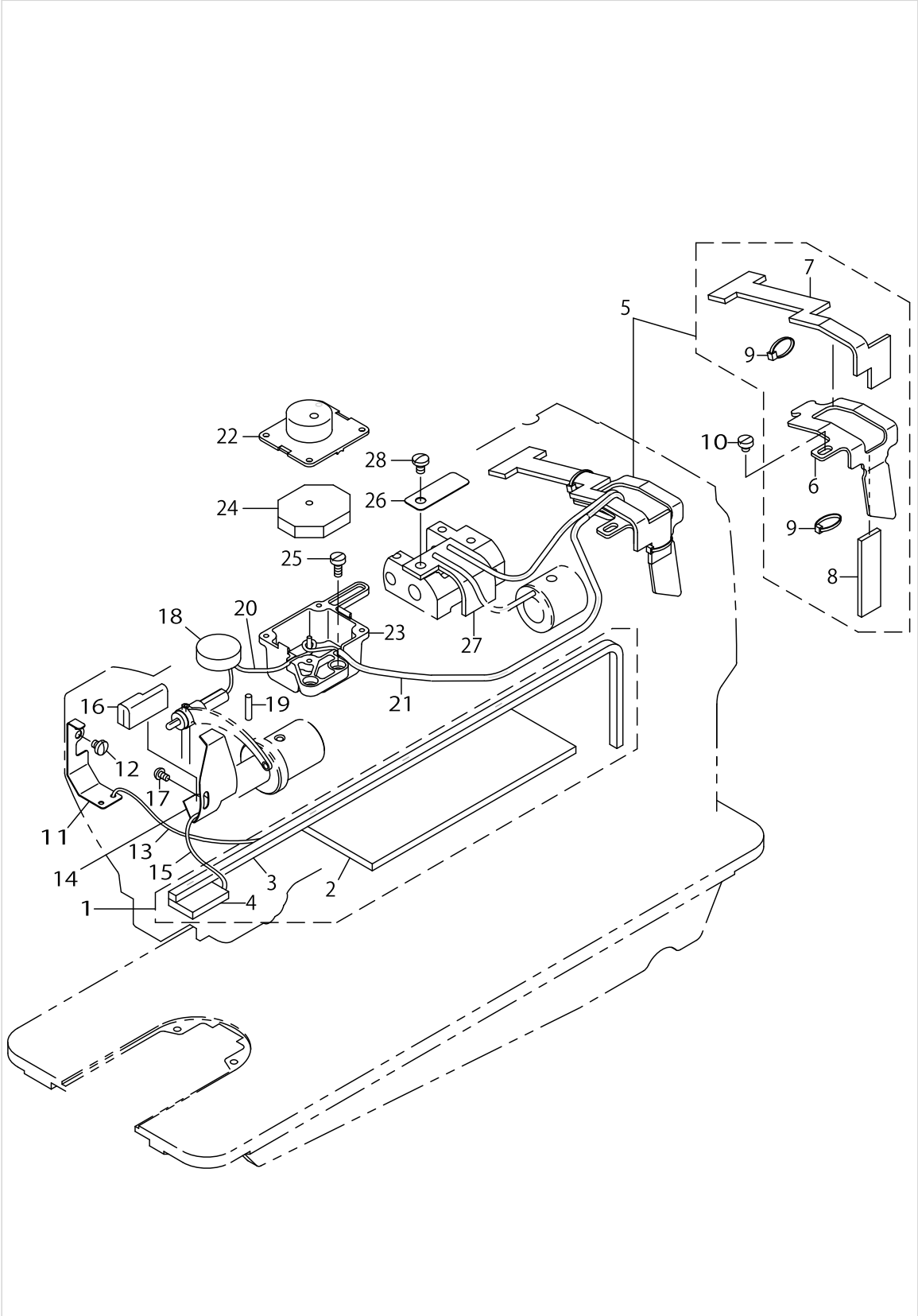
AIR MECHANISM COMPONENTS



AIR MECHANISM COMPONENTS

No.	Parts No.	Parts name	Remarks	Level	Cons	Qty
1	40105339	AIR APPARATUS (F) ASM.	WITH BT			1
2	40105336	ELECTROMAGNETIC VALVE (F) ASM.		*		1
3	40105335	ELECTROMAGNETIC VALVE (F)		*		1
4	GAK29010000	ELBOW B		*		1
5	HK034620020	2P PLUG		*		1
6	GAKA1503000	INSULATION TUBE		*		0.2
7	HK03463000A	TERMINAL		*		2
8	BT0600401EB	TUBE		*		1.3
9	HX002950000	WIRE MARK(1)		*		4
10	40105333	BT CORD ASM.		*		1
11	SK3385001SE	WOOD SCREW D=3.8 L=50	WITH BT			4
12	EA9500B0100	CABLE BAND				3
13	40102065	AIR APPARATUS B ASM.	WITH AK,BT			1
14	40102063	ELECTROMAGNETIC VALVE B ASM.		*		1
15	GAKA2302B00	SOLENOID B		*		1
16	GAK29010000	ELBOW B		*		1
17	GAKA1503000	INSULATION TUBE		*		1
18	HK03464000A	TERMINAL FEMALE		*		4
19	HK034610180	CONNECTOR		*		1
20	HX00295000B	WIRE MARK(3)		*		4
21	HX00295000A	WIRE MARK(2)		*		4
22	BT0600401EB	TUBE		*		3
23	HX002950000	WIRE MARK(1)		*		4
24	SK3385001SE	WOOD SCREW D=3.8 L=50	WITH AK,BT			4
25	SK3385001SE	WOOD SCREW D=3.8 L=50	WITH AK,BT,DL			4
26	40038722	FILTER REGULATAR ASM.				1
27	PF0552170A0	FILTER REGULATOR		*		1
28	40038723	FILTER REGULATOR MOUNTING PLATE		*		1
29	40107618	NIPPLE		*		1
30	GAK29009000	ELBOW		*		1
31	BT0600401EB	TUBE		*		1
32	SM4061001SB	SCREW M6 L=10		*		2
33	40102066	AIR APPARATUS C ASM.	WITH AK,BT,DL			1
34	HX00295000C	WIRE MARK(4)		*		2
35	40102064	ELECTROMAGNETIC VALVE C ASM.		*		1
36	GAKA2302C00	ELECTROMAGNETIC VALVE C		*		1
37	GAK29010000	ELBOW B		*		1
38	GAKA1503000	INSULATION TUBE		*		1
39	HK03464000A	TERMINAL FEMALE		*		5
40	HK034610180	CONNECTOR		*		1
41	BT0600401EB	TUBE		*		4
42	HX00295000B	WIRE MARK(3)		*		2
43	HX00295000A	WIRE MARK(2)		*		2
44	HX002950000	WIRE MARK(1)		*		2
45	SK3482501SE	WOOD SCREW D=4.8 L=25				2

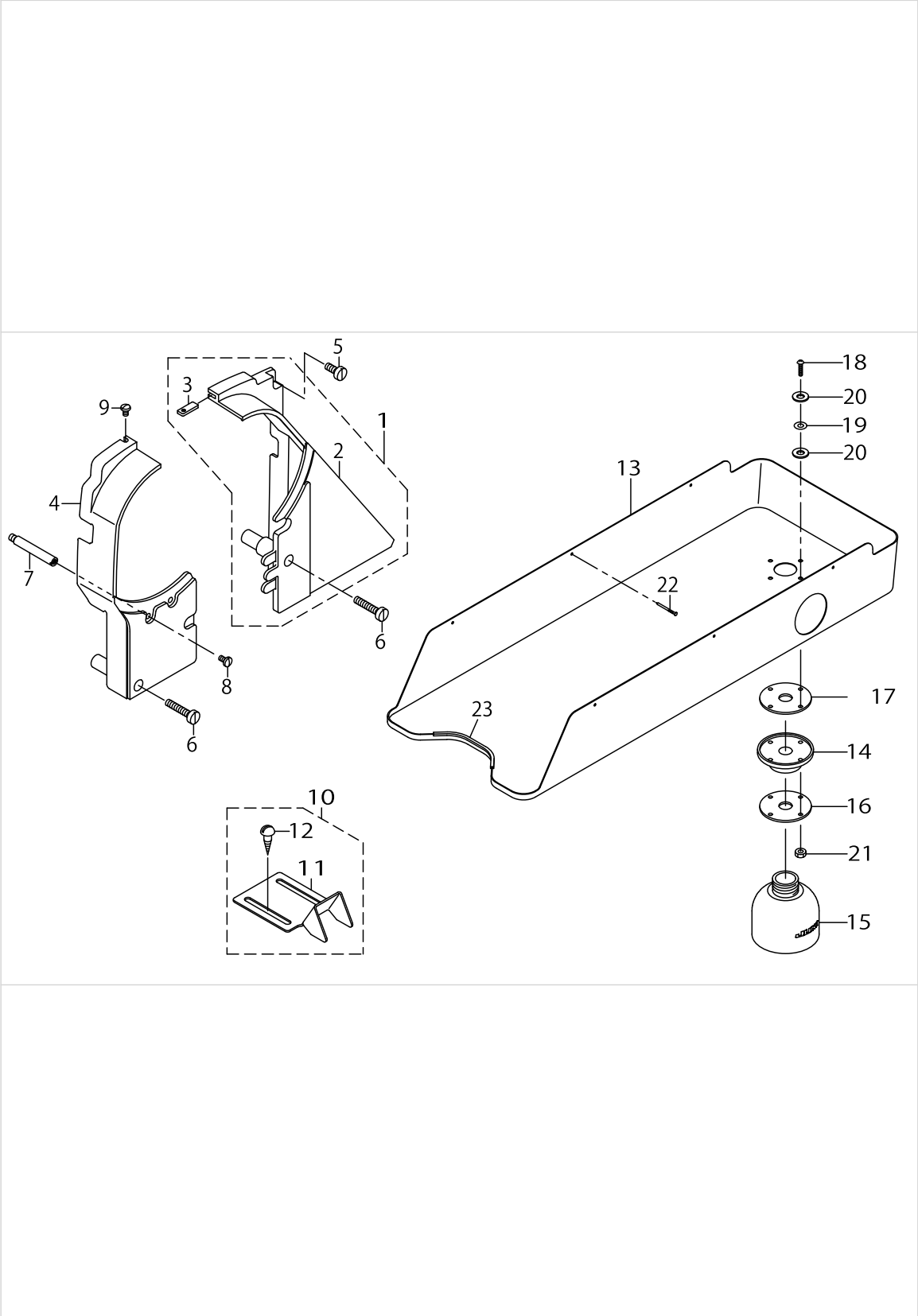
LUBRICATION COMPONENTS



LUBRICATION COMPONENTS

No.	Parts No.	Parts name	Remarks	Level	Cons	Qty
1	21345756	ARM ONCE THROUGH OIL FELT ASM.				1
2	21345707	ARM ONCE THROUGH FELT A		*		1
3	21345806	FELT B		*		1
4	21345905	FACE ONCE THROUGH FELT		*		1
5	21346358	FELT SUPPORT ASM.				1
6	21346309	FELT		*		1
7	21346507	FEED CHANGE FELT		*		1
8	21346408	FELT		*		1
9	EA9500B0000	CLIP CV-70S		*		2
10	SS6110480SP	SCREW 11/64-40 L=4.3				1
11	21340708	UPPER FEED OIL BAR PLATE				1
12	SS7110510SP	SCREW 11/64-40 L=5				1
13	CQ202000000	OIL WICK				0.2
14	21347000	TAKE-UP OIL PLATE				1
15	CQ202000000	OIL WICK				0.25
16	21347208	TAKE-UP LUBRICATION FELT				1
17	SS3090610SP	SCREW 9/64-40 L=6				1
18	21346002	FELT				1
19	B1412051000	FELT				1
20	CQ252000000	OIL WICK				0.45
21	BT0500300EA	OIL TUBE				0.25
22	21407507	OIL TANK A				1
23	21407606	OIL TANK B				1
24	21407705	FELT				2
25	SS6111010SP	SCREW 11/64-40 L= 9.5				2
26	21346101	LUBRICATION FELT PRESSER				1
27	21346200	MUTUAL VERTICAL CHANGE FELT				1
28	SS7120760SP	SCREW 3/16-28 L=7.0				1

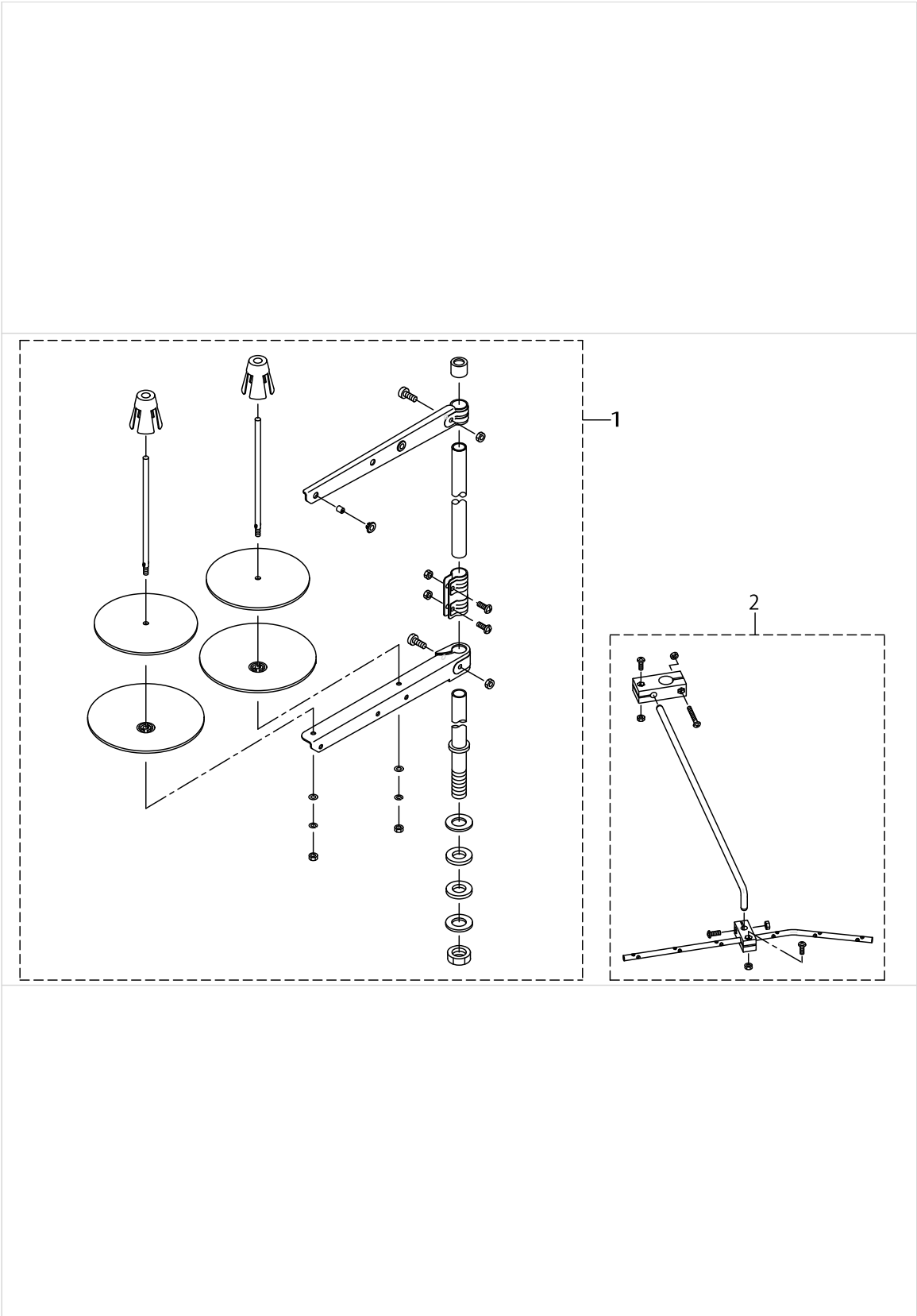
BELT COVER & OIL RESERVOIR COMPONENTS



BELT COVER & OIL RESERVOIR COMPONENTS

No.	Parts No.	Parts name	Remarks	Level	Cons	Qty
1	21351150	BELT COVER ASM. (RIGHT)				1
2	21351101	BELT COVER (RIGHT)		*		1
3	21351002	BELT COVER AUXILIARY PLATE		*		1
4	21351200	BELT COVER (LEFT)				1
5	SS6151440SP	SCREW 15/64-28 L=14				1
6	SS6153040SP	SCREW 15/64-28 L=30				2
7	D8232241E00	BELT COVER SUPPORT A				1
8	SS7110840SP	SCREW 11/64-40 L=7.8				1
9	SS5110740TP	SCREW 11/64-40 L=6.5				1
10	10755254	BELT COVER C ASM.(FOR JE)				1
11	10755205	BELT COVER C(JE)		*		1
12	SK3482500SC	WOOD SCREW D=4.8 L=25		*		2
13	21413000	OIL RESERVOIR				1
14	40025299	OIL POT JOINT				1
15	40025300	OIL POT				1
16	21379003	WASHER				1
17	B8112220000	OIL SEAL				1
18	SM3031401SE	SCREW M3X0.5 L=14				4
19	WP0320501SC	WASHER M3				4
20	10748101	OIL REMOVING SETSCREW PACKING				8
21	NM6030001SC	NUT M3				4
22	10539906	SET NAIL				6
23	MAV02130000	EDGING				1

THREAD STAND COMPONENTS



THREAD STAND COMPONENTS

No.	Parts No.	Parts name	Remarks	Level	Cons	Qty
1	40096354	THREAD STAND ASM.				1
2	26910059	THREAD GUIDE ARM ASM.				1

ACCESSORIES PARTS COMPONENTS



ACCESSORIES PARTS COMPONENTS

No.	Parts No.	Parts name	Remarks	Level	Cons	Qty
1	21413158	ACCESSORY BAG ASM.				1
2	MTJVH00430A	V BELT 43INCH				1
3	40101368	PANEL STUD				2
4	D9117141E00	BOBBIN				1
5	22933303	VINYL COVER				1
6	MDFRX2700C0	NEW DEFRIX OIL NO.2(700CC)				1
7	B91210120A0	OILER ASM.				1
8	21413257	RUBBER HINGE ASM.				1
9	M13517B1602	NEEDLE 135X17 #160-2				1
10	B8206012000	FELT CUSHION				4
11	B8209012000	RUBBER CUSHION				4
12	40101742	RELAY CORD ASM.				1
13	MTSP00900B0	MOTOR PULLEY ASM. P.C.D 90				1

HOW TO MAKE USE OF THIS PARTS LIST

1.Explanation of codes

1)"*"mark.....means this part is changed from the previous parts book.

As to the details of the change, refer to the "List for information of change".

2)"#01".....refer to "Note" explanation at bottom of page.

2.Codes on the "Qty" column

• Each numeral indicates the number of parts required.

• "0.1" and "2.5" indicate the length (in meters) of the respective parts.

3.Parentheses mean that the corresponding part is a subpart that constructs an assembly part.

4.Dotted lines on the Figures indicate assembly parts.

1."注記"欄の記号説明

1) "*"印.....前回のパーツブックに比較して今回変更された部品を意味します。

変更内容は、"変更情報リスト"を参照してください。

2) "#01".....ページ下の"注記"の説明を参照してください。

2.数量欄の数字は、個数を表し、0.1、2.5等の数値は、長さ（単位メートル）を表します。

3.数量欄の（ ）は、組部品を構成している子部品であることを意味します。

4.イラストページの-----枠は、組構成であることを意味します。

NUMERICAL INDEX OF PARTS

PART NO	PAGE	REF NO.	PART NO	PAGE	REF NO.	PART NO	PAGE	REF NO.
10120004	26	17	21333109	6	17	21345905	42	4
10124204	28	13	21336300	20	51	21346002	42	18
10201200	4	48	21336607	18	43	21346101	42	26
10205201	18	16	21336656	18	42	21346200	42	27
10320109	28	3	21336805	18	36	21346309	42	6
10321107	28	25	21337209	18	34	21346358	42	5
10337905	14	56	21337308	18	29	21346408	42	8
10502300	34	21	21337407	18	22	21346507	42	7
10509701	12	22	21337506	18	19	21347000	42	14
10539906	44	22	21337605	18	31	21347109	12	13
10604809	6	38	21337704	18	20	21347208	42	16
10618304	34	8	21337803	14	92	21347406	10	31
10622009	24	86	21337803	18	23	21348206	28	24
10704807	34	19	21337902	18	27	21348503	26	6
10713501	14	75	21338207	20	48	21348602	26	4
10713600	14	84	21338306	18	25	21348701	26	8
10713758	14	83	21338405	10	5	21348909	4	60
10713808	14	94	21338504	10	9	21349105	26	31
10714202	14	70	21338603	10	16	21351002	44	3
10714608	14	85	21338801	10	19	21351101	44	2
10715100	14	60	21338900	10	18	21351150	44	1
10715308	14	66	21339007	10	29	21351200	44	4
10715704	14	62	21339056	10	28	21353008	6	22
10716504	14	76	21339106	6	9	21355706	34	24
10718203	14	69	21339304	10	25	21355755	34	23
10741106	28	14	21339502	6	15	21355904	2	6
10748101	44	20	21339601	14	71	21356001	34	6
10755205	44	11	21339700	14	35-73	21356308	36	11
10755254	44	10	21339809	14	79	21356407	36	12
10774305	14	58	21340005	14	87	21356506	36	3
10774354	14	57	21340302	14	90	21356704	36	9
10774404	14	59	21340401	12	1	21356803	36	7
13138201	28	8	21340500	12	2	21357959	34	3
13515606	26	16	21340708	42	11	21357967	34	1
14512503	34	17	21340906	12	42	21358205	34	9
17912106	2	28	21341151	12	46	21363106	30	3
21048707	14	88	21341508	14	68	21378302	12	5
21331301	2	4	21341607	14	65	21378302	18	9
21331608	2	20	21342605	32	3	21378708	34	29
21332002	4	61	21343108	32	26	21379003	44	16
21332101	2	8	21343157	32	24	21387402	6	24
21332309	2	18	21343355	32	15	21388004	20	56
21332507	6	12	21345707	42	2	21388400	10	14
21332705	6	1	21345756	42	1	21388509	36	6
21333000	6	2	21345806	42	3	21388608	26	26

NUMERICAL INDEX OF PARTS

PART NO	PAGE	REF NO.	PART NO	PAGE	REF NO.	PART NO	PAGE	REF NO.
21401302	2	42	21415203	24	68	22606206	8	69
21401401	2	43	21415302	24	57	22609408	18	8
21401500	2	44	21415401	24	48	22611602	8	58
21402102	6	3	21415500	22	41	22611651	8	57
21402201	6	31	21415609	22	44	22617906	28	9
21402250	6	30	21415708	22	26	22618201	28	7
21402300	6	27	21415807	22	35	22619100	4	49
21402409	6	41	21415906	22	25	22623201	8	62
21402508	8	51	21416003	22	37	22656102	26	12
21402607	8	55	21416102	22	28	22814909	10	27
21402706	8	53	21416201	22	30	22814909	12	11
21403506	22	1	21416300	22	23	22863203	32	18
21403704	24	76	21416409	24	59	22863252	32	17
21403803	22	3	21416508	22	40	22901805	4	59
21403902	24	7·32·64·8- 7·88	21416607	22	11	22904106	12	7
21404009	22	7·32·64·8- 7·88	21416706	24	72	22904106	18	14
21404108	24	7·32·64·8- 7·88	21417001	18	6	22904155	12	6
21404207	24	7·32·64·8- 7·88	21430400	20	49	22904155	18	13
21404306	22	7·32·64·8- 7·88	21437207	4	62	22907604	12	43
21405204	10	2	21437306	4	55	22911804	18	38
21405303	6	47	21438106	38	28	22912000	18	40
21405402	18	1	21438205	12	35·73	22912109	18	41
21405501	6	42	21438403	38	4	22921308	28	12
21405600	32	12	21438502	38	6	22921407	28	11
21405709	32	10	21438601	38	9	22932404	32	22
21405808	32	4	21438700	38	11	22932453	32	21
21405907	32	6	21441050	28	2	22933303	48	5
21406004	32	2	21441100	28	17	22934202	32	29
21406053	32	1	21441209	30	7	22934301	32	30
21406103	14	48	21441308	30	8	22934400	32	28
21406509	12	28	21441407	30	1	22934509	32	27
21406608	14	49	21442603	38	17	22934707	32	23
21407507	42	22	21442702	38	18	22945505	28	15
21407606	42	23	21442900	38	20	22945505	34	27
21407705	42	24	21443007	38	21	22945703	28	16
21407804	22	6	21443106	38	22	22945703	34	30
21410006	2	34	21443205	38	23	22951552	4	54
21413000	44	13	21443809	38	24	22952501	26	18
21413158	48	1	22537658	34	2	23006406	28	26
21413257	48	8	22538151	34	4	23618101	6	46
21415005	24	65	22538706	34	32	23618200	6	44
21415104	24	66	22603112	2	24	23636202	34	5
			22604300	6	26	26212308	22	39
			22604904	8	70	26225201	12	29
			22605406	6	4	26910059	46	2

NUMERICAL INDEX OF PARTS

PART NO	PAGE	REF NO.	PART NO	PAGE	REF NO.	PART NO	PAGE	REF NO.
40009103	18	44	40105339	40	1	B3025141H00A	18	11
40016798	2	1	40107618	40	29	B3031141H00	24	70
40018339	12	16	40107949	16	95	B3125012000	28	6
40018340	12	15	40107950	2	9	B3128520000	28	4
40018341	12	23	40108541	20	58	B3129526000	28	10
40019908	20	61-62	40108542	14	61	B31370510A0	28	5
40019911	20	61-62	40108674	2	22	B3138512000	2	32
40019926	18	32	40113092	34	28	B3205210000	34	10
40023289	26	14	40143083	6	29	B3416552000	14	77
40024852	12	33	40143190	8	66	B3428521000	32	19
40024855	6	37	40152631	2	3	B8112220000	44	17
40025035	36	20	40197296	6	20	B8206012000	48	10
40025036	36	18	A1111007000	2	38	B8209012000	48	11
40025299	44	14	B1103141H00	2	40	B91210120A0	48	7
40025300	44	15	B1112241H00	2	37	BT0500300EA	42	21
40027746	10	26	B1112241HA0	2	36	BT0600401EB	40	41
40033026	12	12	B1132521000	2	29	CM300200001	4	58
40033029	12	19	B1148555000	34	11	CM300200001	36	17
40033030	12	24	B1155141H00	22	5	CM301300001	4	56
40033031	12	40	B1210051000	6	10	CQ200000000	22	2
40033032	12	39	B1410771000	10	21	CQ202000000	6	18
40035502	8	49	B1411053000	10	6	CQ202000000	10	23
40038722	40	26	B1412051000	10	7	CQ202000000	18	45
40038723	40	28	B1412051000	42	19	CQ202000000	42	15
40039326	12	4	B1414232000	10	22	CQ252000000	12	38
40039838	2	26	B1414555000	12	21	CQ252000000	42	20
40039839	2	27	B1420563000	10	1	CQ303000000	6	7
40056364	26	27	B1437051000	10	24	CQ505000000	6	11
40056365	26	23	B1462053000	12	47	CS0800881TP	22	46
40056366	26	22	B14670530A0	12	25	CS1001012TH	22	33
40062388	30	5	B1467563000	10	12	CS1201010SH	20	52
40075553	14	81	B1468053000	12	26	CS1201011SH	20	53
40096354	46	1	B1470241H00	14	51	D1830241EA0	22	14
40101368	48	3	B1471241H00	14	52	D1837141EA0	22	16
40101742	48	12	B1501241H00	12	37	D2112555B00	2	11
40102061	38	19	B1502246000	12	44	D2415241E00A	22	20
40102062	38	16	B1510155000	14	93	D2423241E00	22	21
40102063	40	14	B1525241H00	14	55	D2423245E00	24	71
40102064	40	35	B1525241HA0	14	54	D2424241E00	24	78
40102065	40	13	B152652700G	14	63	D2429241E00	24	81
40102066	40	33	B152989000CA	34	7	D2431141E00	24	49
40103925	28	1	B1604012000A	18	2	D2432141E00	24	50
40105333	40	10	B1803141H00	22	9	D2434141E00A	24	52
40105335	40	3	B1834512000A	24	84	D2435141E00A	24	53
40105336	40	2	B1906051000	6	6	D2439141E00	24	54

NUMERICAL INDEX OF PARTS

PART NO	PAGE	REF NO.	PART NO	PAGE	REF NO.	PART NO	PAGE	REF NO.
D2443241E00	24	74	M40071100AB	6	34	SB32000060B	6	45·64·65
D2444141E00	24	51	MAT80230T00	36	22	SB32000060C	8	45·64·65
D2445141E00	22	42	MAT80231T00	36	21	SD0380551SL	2	30
D2454141E00	22	18	MAV02130000	44	23	SD0470281SP	28	19
D2455141E00	22	17	MDFRX2700C0	48	6	SD0500301SP	22	24
D3162555B00	28	21	MTJVH00430A	48	2	SD0500481TP	32	7
D3162555B00	34	25	MTSP00900B0	48	13	SD0600403TP	22	38
D8232241E00	44	7	NM6030001SC	38	26	SD0600403TP	38	7
D9117141E00	22	15	NM6030001SC	44	21	SD0600454TP	38	8
D9117141E00	48	4	NM6040001SN	30	10	SD0700451TP	32	14
EA9500B0000	12	14	NM6050001SD	32	9	SD0720331SP	36	5
EA9500B0000	42	9	NM6060003SC	26	5	SD0790451SP	32	13
EA9500B0100	8	68	NM6080001SE	36	4	SD0800352SP	26	11
EA9500B0100	10	32	NM6080721SE	38	5	SD0800402TP	18	30
EA9500B0100	12	36	NM7040062SB	30	11	SD0800402TP	26	9
EA9500B0100	26	25	NS6080210SP	24	75	SD0800481SP	12	45
EA9500B0100	40	12	NS6110310SP	28	20	SD0900701TP	18	17
GAK29009000	40	30	NS6110310SP	34	26	SD1000801SH	20	50
GAK29010000	40	37	NS6110530SP	24	85	SK3385001SE	40	25
GAKA1503000	40	38	NS6150310SP	20	60	SK3482500SC	44	12
GAKA2302B00	40	15	NS6150310SP	24	62	SK3482501SE	40	45
GAKA2302C00	40	36	NS6150430SP	26	10	SK3514000SC	36	13
GTS01037000	26	24	NS6660430SP	24	56	SL4030631SC	38	27
HK034610120	26	32	NS6680320SP	18	18	SL4040881SC	12	34
HK034610180	40	40	PA320150200	26	1	SM1050801SR	14	72
HK034620020	40	5	PA320200100	38	2	SM3031401SE	44	18
HK03463000A	40	7	PA400150100	36	1	SM4061001SB	40	32
HK03464000A	26	28	PF0552170A0	40	27	SM6040800SP	34	31
HK03464000A	40	39	PJ301065104	26	20	SM6044002TP	38	3
HK03464000B	24	89	PJ304065101	36	10	SM6051002TP	36	8
HK03464000B	30	6	PJ304065101	38	13	SM6051202TP	22	36
HX00123000A	4	50	PS0600502KP	28	23	SM6051402TP	14	67
HX00123000A	6	39	PX015101000	26	21	SM6052002TP	14	91
HX00123000A	22	45	PX015101000	38	14	SM6052002TP	32	11
HX002950000	40	44	RC0560711KP	34	12	SM6061602TP	26	2
HX00295000A	36	15	RC1850001KP	22	19	SM6061802TP	18	35
HX00295000A	40	43	RE0500000K0	14	78	SM6062502TP	32	16
HX00295000B	36	16	RE0500000K0	34	13	SM6082002TP	36	2
HX00295000B	40	42	RE0500711KP	18	4	SM8050412TP	22	47
HX00295000C	38	15	RE0800000K0	14	89	SM8050512TP	18	5
HX00295000C	40	34	RE0900000K0	20	55	SM8050602TP	14	86
HX00354000N	38	25	RO092270200	18	39	SM8050602TP	34	20
M13517B1600	10	11	RO092270200	34	14	SM8050612TP	18	46
M13517B1602	48	9	SB120000200	8	60	SM8052502TP	32	8
M40071100AA	6	33	SB32000060A	8	45·64·65	SM8060602TP	6	28

NUMERICAL INDEX OF PARTS

PART NO	PAGE	REF NO.	PART NO	PAGE	REF NO.	PART NO	PAGE	REF NO.
SM8060612TP	22	13	SS6151440SP	44	5	SS7150910TP	2	21
SM8060812TP	22	12	SS6151780SP	12	27	SS7151210SP	26	7
SM8080802TP	10	20	SS6151920SP	12	30	SS7621040SP	2	7
SM8080812TP	6	14	SS6151920SP	24	61	SS8110320SP	22	43
SM9061203SE	32	25	SS6152440SP	10	30	SS8111010TP	16	96
SS1080620SP	24	80	SS6153040SP	44	6	SS8150710SP	12	32
SS1110710SP	22	22	SS6661110SP	6	63	SS8150710TP	6	56
SS2090710TP	2	31	SS6661110SP	8	63	SS8150710TP	8	56
SS2110920TP	2	35	SS7080510TP	10	10	SS8150822TP	6	32
SS3090610SP	42	17	SS7080510TP	24	79	SS8150822TP	18	24
SS4080620TP	18	47	SS7090510SP	32	20	SS8150822TP	22	10
SS4080620TP	28	18	SS7090520TP	2	33	SS8151150TP	6	43
SS4110815SP	2	51	SS7090610SP	18	26	SS8151150TP	10	3
SS4110815SP	4	51	SS7090910SP	10	8	SS8151150TP	18	10
SS4110815SP	6	40	SS7090910TP	18	28	SS8151150TP	22	31
SS4110815SP	38	12	SS7091410SP	34	15	SS8660512TP	22	34
SS4111015SP	2	45	SS7110410SP	24	83	SS8660610TP	12	8
SS4111215SP	2	2	SS7110510SP	12	20	SS8660610TP	18	54
SS4120615SP	26	15	SS7110510SP	42	12	SS8660610TP	20	54
SS4150915SP	4	57	SS7110570SP	30	4	SS8660610TP	22	8
SS5090610SP	2	23	SS7110710SL	36	25	SS8660612TP	8	54
SS5110740TP	44	9	SS7110710SP	6	23	SS8660612TP	12	3
SS6060210SP	2	39	SS7110710SP	24	67	SS8660810TP	6	21
SS6090520SP	34	16	SS7110720SP	2	41	SS8660810TP	14	82
SS6090620TP	8	48	SS7110740TP	8	50	SS8661030SP	8	59
SS6090620TP	34	22	SS7110830SP	10	15	SS9090813TP	24	55
SS6090910TP	14	50	SS7110830SP	14	80	TA0550604R0	2	13
SS6091022TP	10	17	SS7110840SP	26	29	TA0750704R0	2	15
SS6110480SP	42	10	SS7110840SP	38	1	TA0750704R0	8	67
SS6110520TP	20	57	SS7110840SP	44	8	TA0750704R0	12	10
SS6110630TP	14	64	SS7110910SP	24	69	TA1050504R0	2	47
SS6110810TP	34	18	SS7110910TP	10	13	TA1250504R0	2	16
SS6111010SP	24	73	SS7110910TP	12	41	WP0320501SC	44	19
SS6111010SP	42	25	SS7110910TP	18	21	WP0450000SD	24	82
SS6111010TP	24	77	SS7110910TP	24	60	WP0450801SD	6	35
SS6111140SP	2	52	SS7110910TP	28	22	WP0480856SP	36	19
SS6111140SP	4	52	SS7110910TP	30	2	WP0482086SD	30	13
SS6111210SP	6	36	SS7111120TP	14	74	WP0501016SD	26	30
SS6111610SP	18	33	SS7111410SP	36	24	WP0501046SC	12	18
SS6111610SP	38	10	SS7111410TP	18	7	WP0501046SC	30	12
SS6121210TP	18	12	SS7111810SP	26	19	WP0641601SD	26	3
SS6121860SP	18	37	SS7120760SP	8	61	WP0650876SD	20	59
SS6151040SP	36	14	SS7120760SP	26	13	WT0530002KS	4	53
SS6151220SP	36	23	SS7120760SP	42	28			
SS6151440SP	24	58	SS7150740SP	12	31			