

MODEL : DDL-8700 SERIES

List No : 1305-08

# PARTS LIST

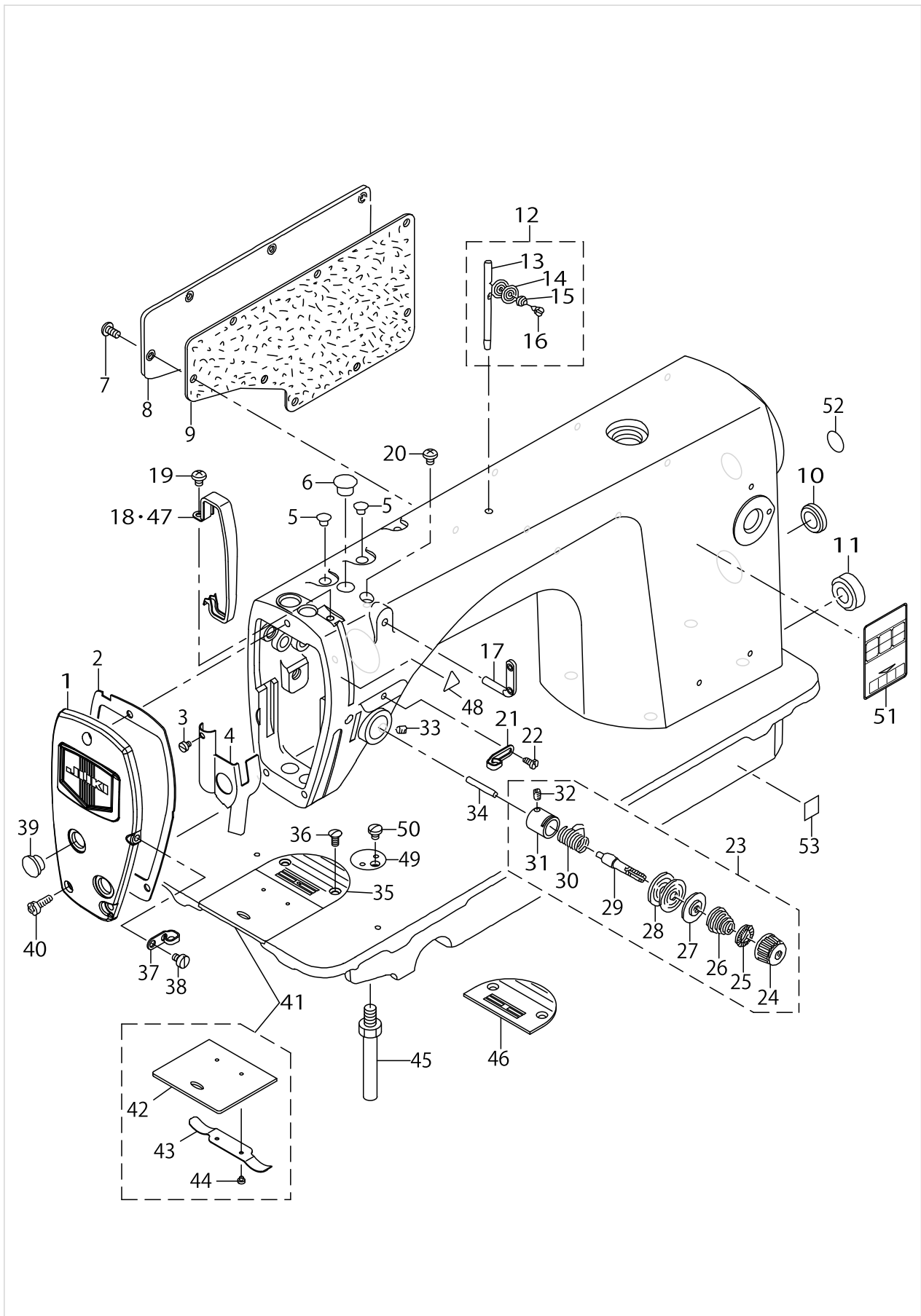
Published:09/10/2017

## CONTENTS

---

MACHINE FRAME & MISCELLANEOUS COVER COMPONENTS .....	1
MAIN SHAFT & THREAD TAKE-UP LEVER COMPONENTS .....	5
NEEDLE BAR, UPRIGHT SHAFT & HOOK DRIVING SHAFT COMPONENTS .....	7
HAND LIFTER COMPONENTS .....	9
FEED MECHANISM COMPONENTS.....	11
OIL LUBRICATION COMPONENTS .....	15
OIL RESERVOIR COMPONENTS .....	17
BELT COVER & BOBBIN COMPONENTS.....	19
THREAD STAND COMPONENTS.....	21
EXCLUSIVE PARTS FOR DDL-8700H.....	23
EXCLUSIVE PARTS FOR DDL-8700A.....	25
EXCLUSIVE PARTS FOR DDL-8700L .....	27
LIST FOR INFORMATION OF CHANGE (1).....	31
LIST FOR INFORMATION OF CHANGE (2).....	32
HOW TO MAKE USE OF THIS PARTS LIST .....	33

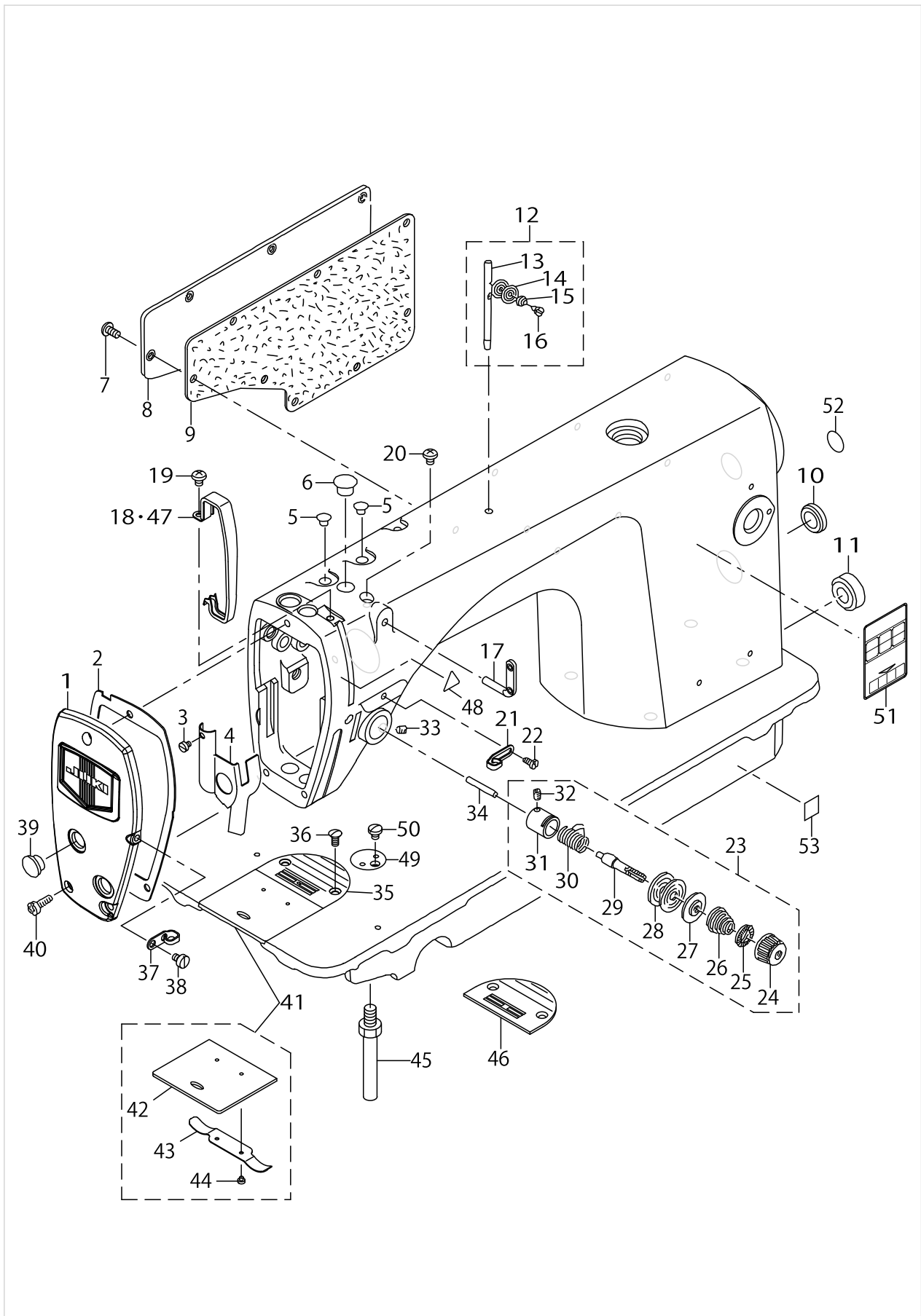
MACHINE FRAME & MISCELLANEOUS COVER COMPONENTS



MACHINE FRAME & MISCELLANEOUS COVER COMPONENTS

No.	Parts No.	Parts name	Remarks	Level	Cons	Qty
1	40102097	FACE_PLATE_ASM.				1
2	40012126	FACE PLATE PACKING				1
3	SS6080410SP	SCREW 1/8-44 L=4				1
4	22900757	FACE PLATE OIL SHIELD ASM.				1
5	TA0850604R0	RUBBER PLUG				2
6	TA1250705R0	RUBBER PLUG				1
7	SS4120925SP	SCREW 3/16-28 L=9				8
8	22900401	WINDOW PLATE				1
9	40012129	SIDE PLATE PACKING				1
10	TA2000502R0	RUBBER PLUG				1
11	TA2101002R0	RUBBER PLUG				1
12	22932552	NEEDLE THREAD GUIDE PIN ASM.				1
13	22932503	THREAD GUIDE ROD		*		1
14	22932602	THREAD GUIDE DISK		*		2
15	22932701	THREAD GUIDE DISK SPRING		*		1
16	SD0380552SL	HINGE SCREW D=3.8 H=5.5		*		1
17	22920706	TWO EYELET				1
18	22900609	THREAD TAKE-UP LEVER COVER				1
19	SS4120615SP	SCREW 3/16-28 L=6				1
20	SS4120615SP	SCREW 3/16-28 L=6				1
21	22920508	ARM THREAD GUIDE A				1
22	22921001	SCREW				1
23	22945356	THREAD TENSION ASM.				1
24	22921308	THREAD TENSION NUT		*		1
25	22921407	ROTATION STOPPER		*		1
26	22921704	THREAD TENSION SPRING A		*		1
27	22921803	DISK STOPPER		*		1
28	22921506	THREAD TENSION DISK		*		2
29	22921209	THREAD TENSION POST		*		1
30	22921605	THREAD TAKE-UP SPRING		*		1
31	22945307	THREAD TENSION POST BASE		*		1
32	SS8090670SP	SCREW 9/64-40 L=5.5		*		1
33	SS8150710TP	SCREW 15/64-28 L=7				1
34	22920904	PIN				1
35	B1109552000	THROAT PLATE	EXCEPT JE			1
36	SS2110920TP	SCREW 11/64-40 L=8.5				2
37	22920607	ARM THREAD GUIDE B				1
38	SS6110610TP	SCREW 11/64-40 L=6				1
39	TA1250406R0	RUBBER PLUG D=12.5 L=4				2
40	SS4120925SP	SCREW 3/16-28 L=9				3
41	22901250	SLIDE PLATE ASM.				1
42	22901201	SLIDE PLATE		*		1
43	22901300	SLIDE PLATE SPRING		*		1
44	SS6060210SP	SCREW 3/32-56 L=1.9		*		2
45	22901003	BED SCREW STUD				4
46	11028008	THROAT PLATE	FOR JE			1
47	11415205	THREAD TAKE-UP LEVER COVER(JE)	FOR JE			1

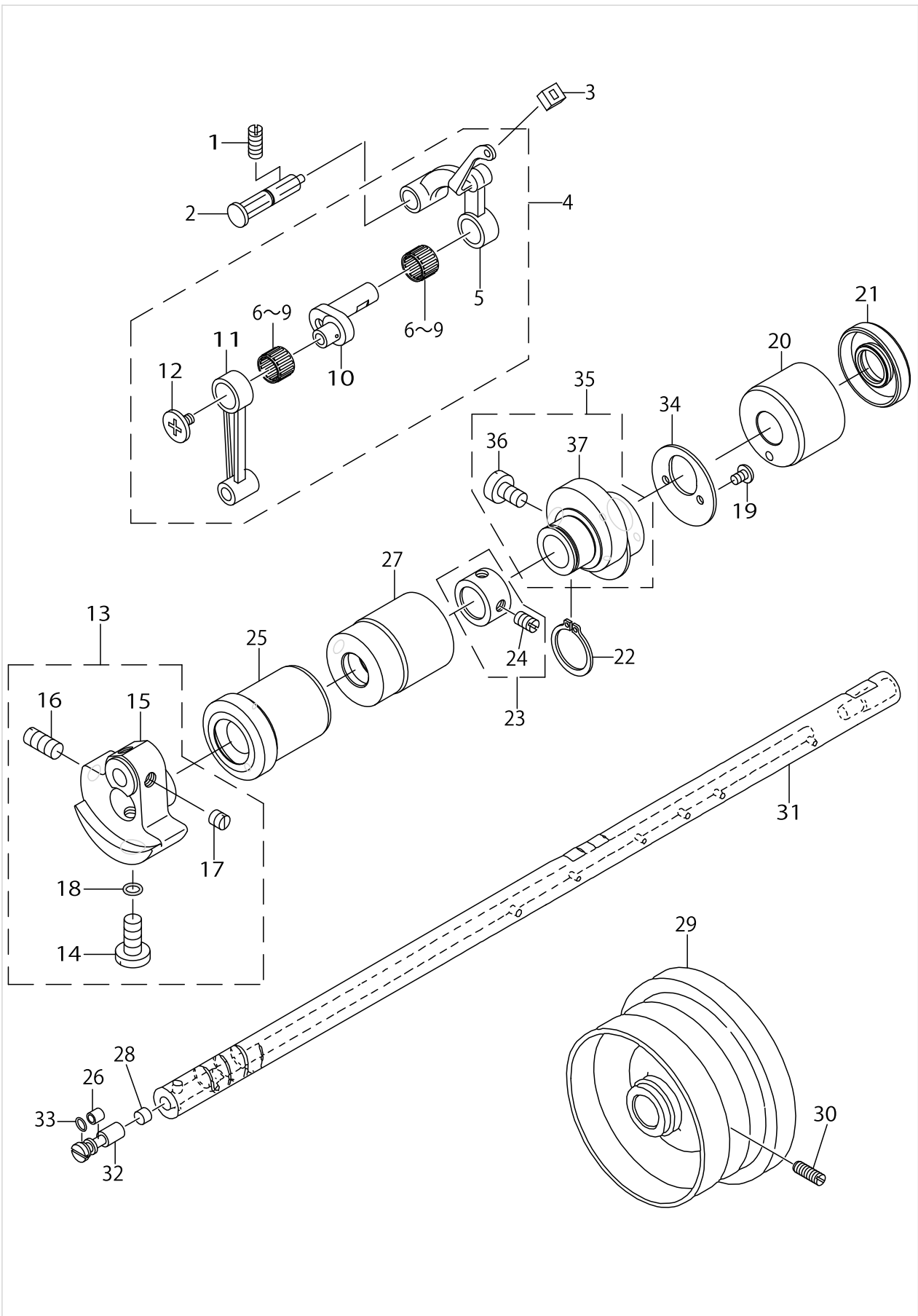
MACHINE FRAME & MISCELLANEOUS COVER COMPONENTS



MACHINE FRAME & MISCELLANEOUS COVER COMPONENTS

No.	Parts No.	Parts name	Remarks	Level	Cons	Qty
48	CM300200001	ATTENTION SEAL				1
49	40099083	RULER STOP SEAT				1
50	SS7110720SP	SCREW 11/64-40 L=7				1
51	CM301200001	SAFETY LABEL_S				1
52	22901805	GROUND MARK				1
53	40116677	GOST_SAFTY_LABEL_S	FOR JE			1

MAIN SHAFT & THREAD TAKE-UP LEVER COMPONENTS

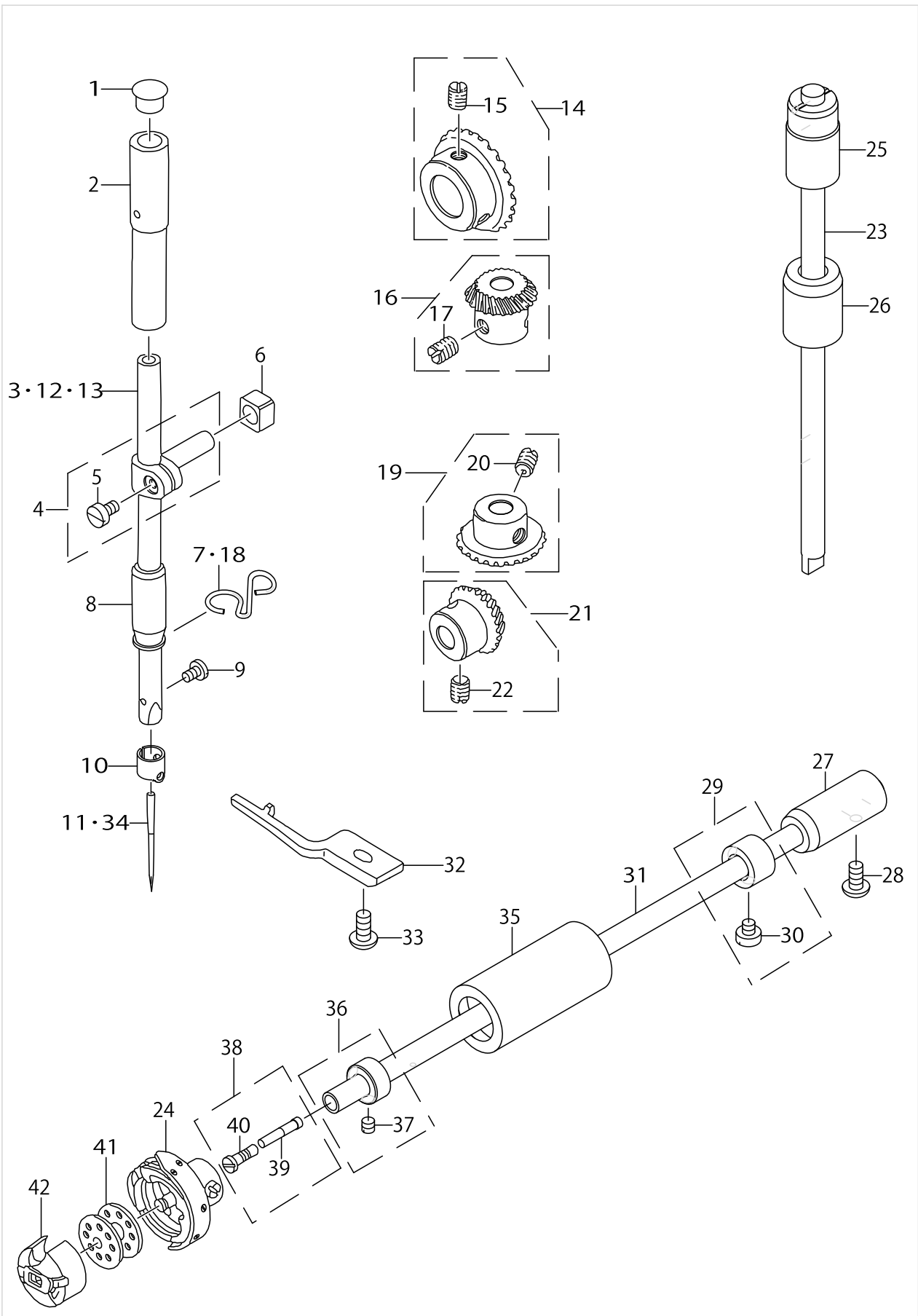


MAIN SHAFT & THREAD TAKE-UP LEVER COMPONENTS

No.	Parts No.	Parts name	Remarks	Level	Cons	Qty
1	SS8151150TP	SCREW 15/64-28 L=10.5				1
2	22919559	THREAD TAKE-UP CRANK SHAFT ASM.				1
3	22919203	OIL PROTECTING RUBBER				1
4	22918072	THREAD TAKE-UP LEVER COMPL.				1
5	22918064	THREAD TAKE-UP LEVER ASM.		*		1
6	22918403	NEEDLE BEARING A	SELECTIVE PARTS	*		2
7	22918502	NEEDLE BEARING B	SELECTIVE PARTS	*		2
8	22918601	NEEDLE BEARING C	SELECTIVE PARTS	*		2
9	22918700	NEEDLE BEARING D	SELECTIVE PARTS	*		2
10	22918106	NEEDLE BAR CRANK		*		1
11	22906606	NEEDLE BAR CRANK ROD		*		1
12	22918304	LEFT SCREW		*		1
13	40106606	COUNTER_WEIGHT_ASM.				1
14	SS7681650TP	SCREW 9/32-28 L=16		*		1
15	40106607	COUNTER_WEIGHT		*		1
16	SS8681650TP	SCREW 9/32-28 L=16		*		1
17	SS8660610TP	SCREW 1/4-40 L=6		*		2
18	RO044240100	RUBBER RING		*		1
19	SS4090615SP	SCREW 9/64-40 L=6				2
20	11002409	MAIN SHAFT BUSHING REAR				1
21	40105231	OIL SEAL				1
22	RC1850001KP	SNAP RING 18.5				1
23	22904155	MAIN SHAFT THRUST COLLAR ASM.				1
24	SS8660610TP	SCREW 1/4-40 L=6		*		2
25	22903207	MAIN SHAFT BUSHING FRONT				1
26	B1215552000	OIL ADJUSTING COLLAR				1
27	22903306	BUSHING INTERMEDIATE				1
28	11002904	ROLLER FELT				1
29	22927206	HAND WHEEL				1
30	SS8151550SP	SCREW 15/64-28 L=15				2
31	22903009	MAIN SHAFT				1
32	22903900	ADJUSTING PIN				1
33	RO029180100	RUBBER RING				1
34	22910103	THRUST COLLAR				1
35	22910053	FEED DRIVE ECCENTRIC CAM ASM.				1
36	SS6661110SP	SCREW 1/4-40 L=11		*		2
37	22910004	FEED DRIVE ECCENTRIC CAM		*		1



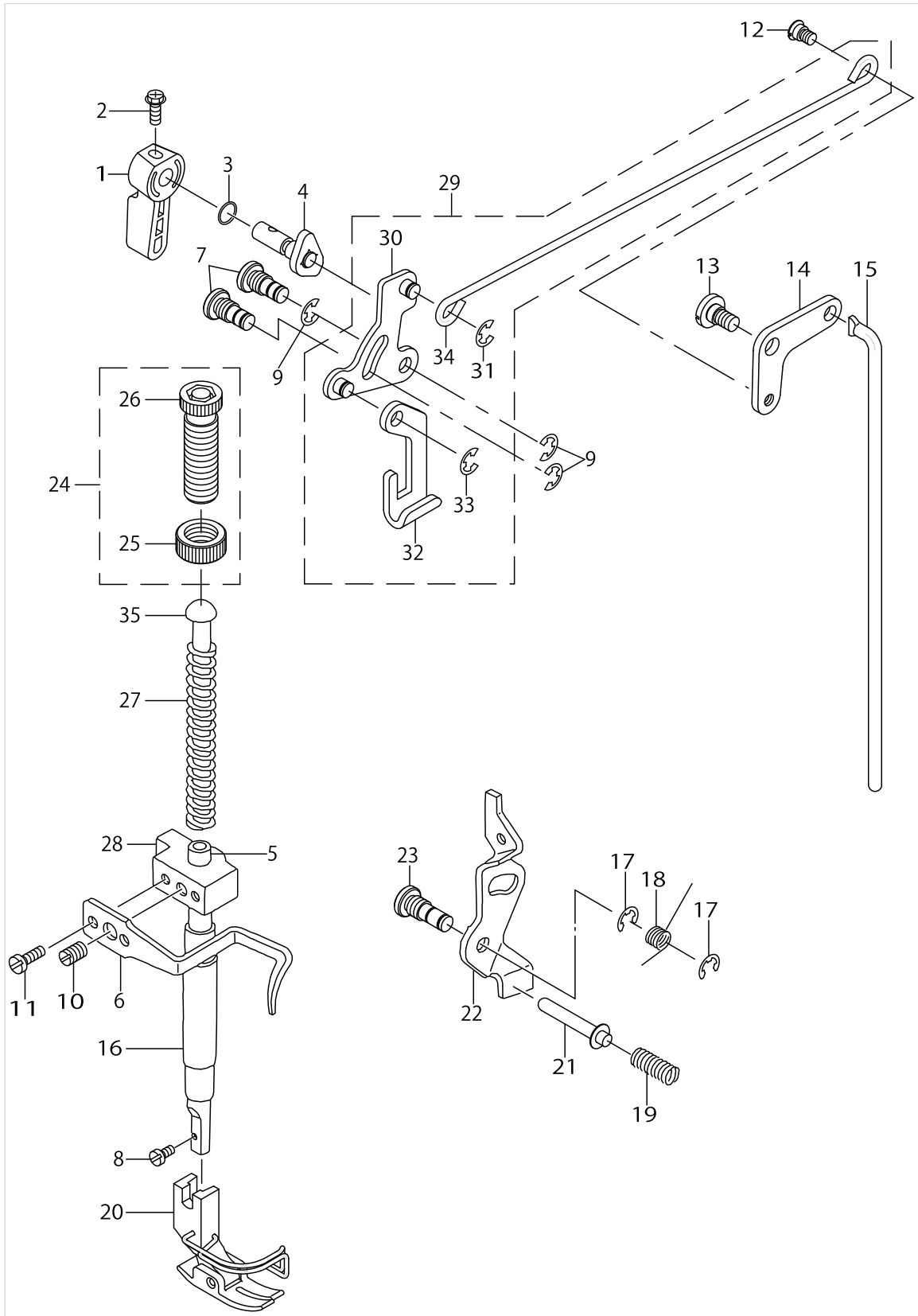
NEEDLE BAR, UPRIGHT SHAFT & HOOK DRIVING SHAFT COMPONENTS



NEEDLE BAR, UPRIGHT SHAFT & HOOK DRIVING SHAFT COMPONENTS

No.	Parts No.	Parts name	Remarks	Level	Cons	Qty
1	TA0850604R0	RUBBER PLUG				1
2	22906101	NEEDLE BAR BUSHING UPPER				1
3	22906002	NEEDLE BAR	FOR JA			1
4	22906457	NEEDLE BAR HOLDER ASM.				1
5	SS6090670TP	SCREW 9/64-40 L=6		*		1
6	40090058	SLIDE BLOCK				1
7	40012444	NEEDLE BAR THREAD GUIDE				1
8	22906200	NEEDLE BAR BUSHING LOWER				1
9	SS7080510TP	SCREW 1/8-44 L=4.5				1
10	22906309	NEEDLE BAR THREAD GUIDE				1
11	MDB100B1400	NEEDLE DBX1 #14				1
12	22906705	NEEDLE BAR B	FOR JE			1
13	40010007	NEEDLE BAR	FOR ST,SH			1
14	B13050120A0	GEAR ASM.				1
15	SS8660810TP	SCREW 1/4-40 L=8		*		2
16	B13061550A0	PINION ASM.				1
17	SS8660810TP	SCREW 1/4-40 L=8		*		2
18	40012444	NEEDLE BAR THREAD GUIDE	FOR SH			1
19	B13071550A0	GEAR ASM. LARGE				1
20	SS8660810TP	SCREW 1/4-40 L=8		*		2
21	B13081550A0	PINION ASM.				1
22	SS8660810TP	SCREW 1/4-40 L=8		*		2
23	22905004	UPRIGHT SHAFT				1
24	B18301270A0	HOOK ASM.				1
25	22905103	UPRIGHT SHAFT BUSHING UPPER				1
26	22905202	UPRIGHT SHAFT BUSHING LOWER				1
27	22916308	HOOK DRIVING SHAFT BUSH REAR				1
28	SS4120925SP	SCREW 3/16-28 L=9				1
29	22917157	THRUST COLLAR ASM. REAR				1
30	SS6110420TP	SCREW 11/64-40 L=4.8		*		2
31	22916001	HOOK DRIVING SHAFT				1
32	22916407	BOBBIN CASE POSITIONING FINGER				1
33	SS4110915TP	SCREW 11/64-40 L=9				1
34	MC200500900	NEEDLE 134 90	FOR JE			1
35	22916100	HOOK DRIVING SHAFT BUSH FRONT				1
36	22917058	THRUST COLLAR ASM. FRONT				1
37	SS8110410TP	SCREW 11/64-40 L=3.5		*		2
38	22916555	OIL SEAL SCREW ASM.				1
39	11015906	OIL WICK		*		1
40	22916506	SET SCREW		*		1
41	22932909	BOBBIN				1
42	B18370120A0	BOBBIN CASE ASM.				1

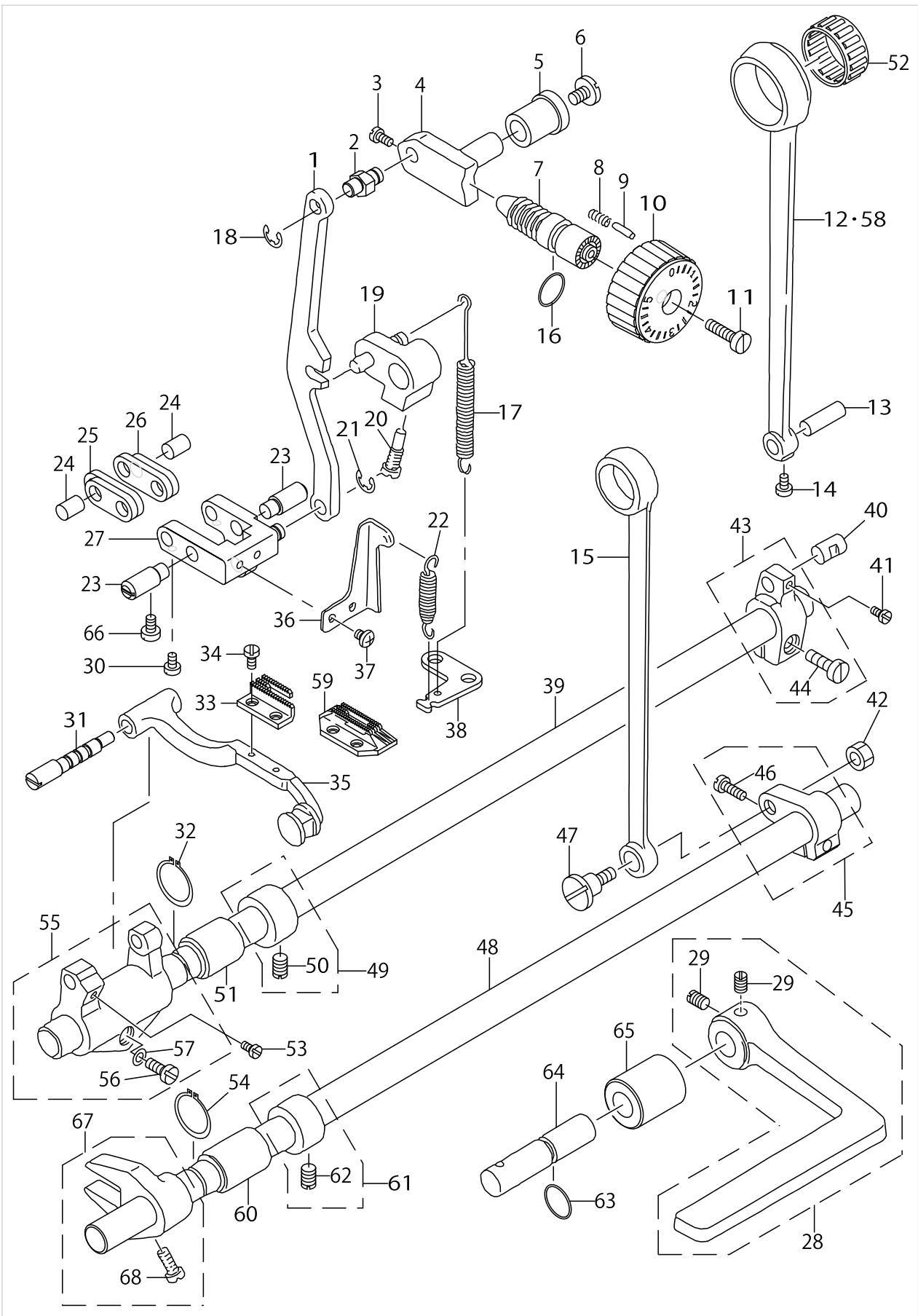
# HAND LIFTER COMPONENTS



HAND LIFTER COMPONENTS

No.	Parts No.	Parts name	Remarks	Level	Cons	Qty
1	22907802	HAND LIFTER				1
2	B1521555000	SCREW				1
3	RO037180100	RUBBER RING				1
4	22908552	HAND LIFTER CAM ASM.				1
5	40017805	PRESSER BAR				1
6	22907307	THREAD GUIDE				1
7	22908701	LINK SHAFT				1
8	SS7091110TP	SCREW 9/64-40 L=10.5				1
9	RE0500000K0	E-RING				3
10	SS8660810TP	SCREW 1/4-40 L=8				1
11	SS6090910SP	SCREW 9/64-40 L=9				2
12	22908909	HINGE SCREW				1
13	SD0720331SP	HINGE SCREW D=7.24 H=3.3				1
14	22908800	KNEE LIFTER LINK				1
15	22909006	KNEE LIFTER CONNECTING ROD				1
16	40060989	PRESSER BAR BUSHING LOWER				1
17	RE0500000K0	E-RING				2
18	22920201	RETURN SPRING				1
19	22920409	THREAD RELEASE PIN SPRING				1
20	B15240120BA	PRESSER FOOT ASM.				1
21	22920300	THREAD RELEASE SUPPORTING PIN				1
22	22920003	THREAD RELEASE PLATE				1
23	22920102	TENSION RELEASE SHAFT				1
24	22907554	PRESSER SPRING REG NUT ASM.				1
25	22907604	PRESSER SPRING REGULATOR NUT		*		1
26	22907505	PRESSER SPRING REGULATOR		*		1
27	22907406	PRESSER SPRING				1
28	22907208	PRESSER BAR GUIDE BRACKET				1
29	22908354	KNEE LIFTING CROSS ROD ASM.				1
30	22908156	LIFTING LINK ASM.		*		1
31	RE0500000K0	E-RING		*		1
32	22908008	LIFTING PLATE		*		1
33	RE0500000K0	E-RING		*		1
34	22908305	KNEE LIFTING CROSS ROD		*		1
35	22907703	PRESSER GUIDE BAR				1

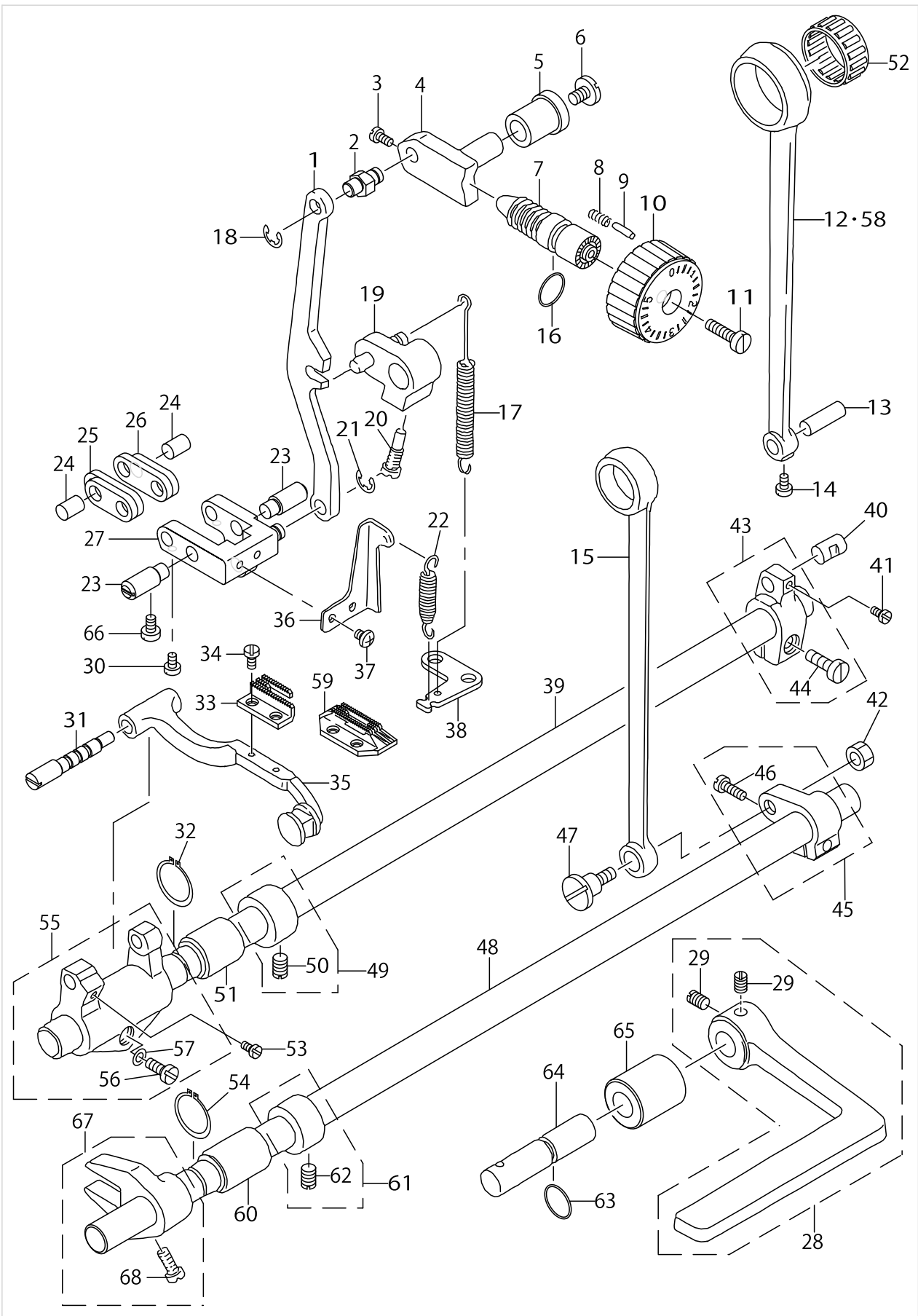
FEED MECHANISM COMPONENTS



FEED MECHANISM COMPONENTS

No.	Parts No.	Parts name	Remarks	Level	Cons	Qty
1	22911408	FEED REGULATOR CONNCTING ROD				1
2	22911507	WALKING FOOT PIN C				1
3	SS6090670TP	SCREW 9/64-40 L=6				2
4	22911606	FEED REGULATOR				1
5	22911705	FEED REGULATOR BUSHING				1
6	SS7120770SH	SCREW 3/16-28 L=7				1
7	22911804	FEED REGULATOR SCREW				1
8	22912109	FEED REGULATOR PIN SPRING				1
9	22912000	FEED REGULATOR PIN				1
10	40101726	FEED_DIAL				1
11	SS6121860SP	SCREW 3/16-28 L=18				1
12	22910202	ROCKER SHAFT CONNECTING ROD				1
13	22911101	WALKING FOOT PIN C				1
14	SS6090620TP	SCREW				1
15	22915003	CONNECTING ROD				1
16	RO092270200	RUBBER RING				1
17	11010311	FEED LEVER SPRING				1
18	RE0500000K0	E-RING				1
19	22912257	FEED REVERSE ARM ASM.				1
20	22912505	FEED REVERSE ARM SCREW				1
21	RE0500000K0	E-RING				1
22	22911309	ADJUSTING LINK SPRING				1
23	22910806	ADJUST LINK FULCRUM SHAFT A				2
24	22910905	WALKING FOOT PIN A				2
25	40089548	CONNECTING LINK B				2
26	40093417	CONNECTING LINK A				2
27	22910459	FEED ADJUSTING LINK ASM.				1
28	40102264	FEED_REVER_ASM.				1
29	SM8061010TP	SCREW		*		2
30	SS6090620TP	SCREW				2
31	40101462	FEED BASE SHAFT				1
32	RC0150001KP	RETAINING RING 13.8				1
33	B1613012A00	FEED DOG A	FOR JE			1
34	SS4080620TP	SCREW 1/8-44 L=6				2
35	22971857	FEED BASE ASM.				1
36	22941306	REGULATOR LINK SPRING HOOK				1
37	SS4110515SP	SCREW 11/64-40 L=5				2
38	22913701	FEED SPRING HOOK				1
39	22912901	FEED ROCKER SHAFT				1
40	22911002	WALKING FOOT PIN B				1
41	SS6090620TP	SCREW				1
42	NS6680410SP	NUT 9/32-28				1
43	40110379	ASSY_FEED_ROCKER_ARM				1
44	SS6121610SP	SCREW 3/16-28 L=15.5		*		1
45	40109422	FEED_ARM_ASM				1
46	SS7121610SP	SCREW 3/16-28 L=15.5		*		1
47	SD1000801SH	HINGE SCREW D=10 H=8				1

FEED MECHANISM COMPONENTS

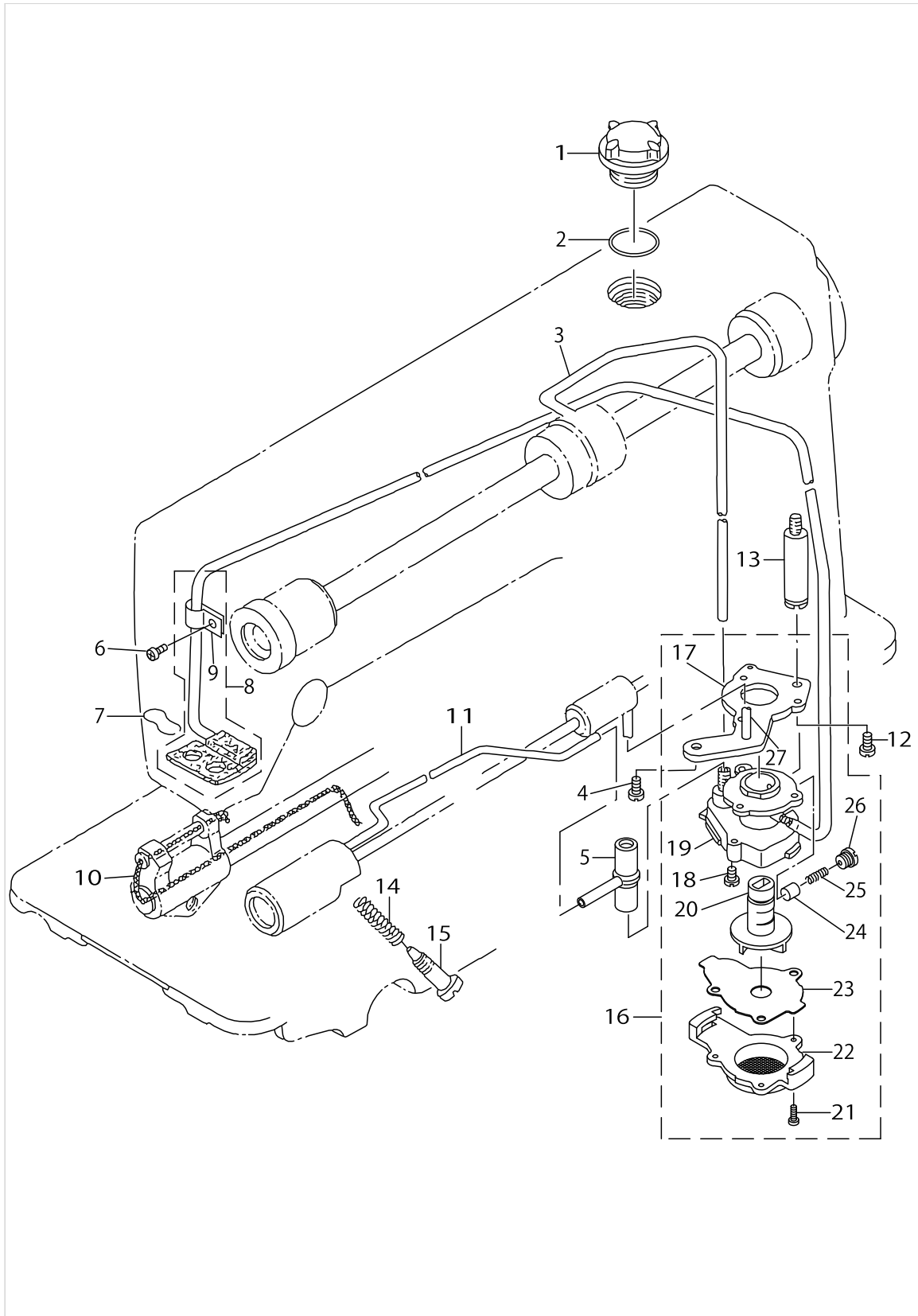


FEED MECHANISM COMPONENTS

No.	Parts No.	Parts name	Remarks	Level	Cons	Qty
48	22915201	FEED DRIVING SHAFT				1
49	22904155	MAIN SHAFT THRUST COLLAR ASM.				1
50	SS8660610TP	SCREW 1/4-40 L=6		*		2
51	22913008	FEED ROCKER SHAFT BUSHING				1
52	22914105	BEARING C	SELECTIVE PARTS (FOR JE,JA)			1
53	SS7110740TP	SCREW 11/64-40 L=7				1
54	RC0150001KP	RETAINING RING 13.8				1
55	22940654	FEED ROCKER ASM.				1
56	SS7121410TP	SCREW 3/16-28 L=14		*		1
57	WP0480856SP	WASHER 4.8X8.4X0.8		*		1
58	22913800	ROCKER SHAFT CONNECTING ROD B	FOR JE,JA			1
59	B1613012I00	FEED DOG I	FOR JA,ST			1
60	22913008	FEED ROCKER SHAFT BUSHING				1
61	22904155	MAIN SHAFT THRUST COLLAR ASM.				1
62	SS8660610TP	SCREW 1/4-40 L=6		*		1
63	RO078190100	RUBBER RING				1
64	40100812	FEED LEVER SHAFT				1
65	22912802	FEED LEVER SHAFT BUSHING				1
66	SS6151220SP	SCREW 15/64-28 L=11.5				2
67	22915359	DRIVING SHAFT CRANK ASM.				1
68	SS7111120SP	SCREW 11/64-40 L=10.5		*		1



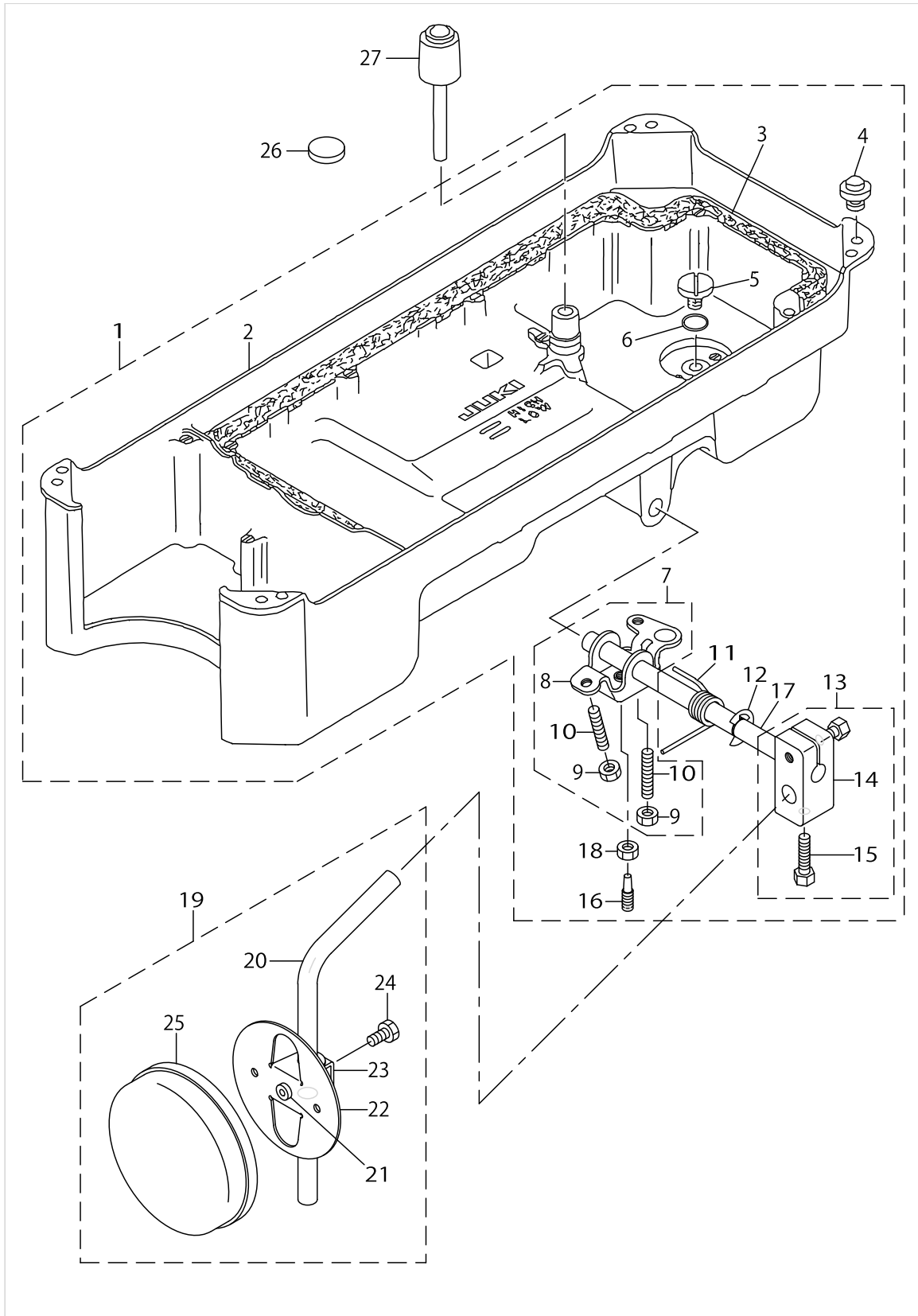
OIL LUBRICATION COMPONENTS



OIL LUBRICATION COMPONENTS

No.	Parts No.	Parts name	Remarks	Level	Cons	Qty
1	22924708	OIL SIGHT WINDOW				1
2	RO195240100	RUBBER RING				1
3	22924401	MAIN SHAFT OIL TUBE				1
4	SS4150915SP	SCREW 15/64-28 L=9				1
5	22924609	RUBBER JOINT				1
6	SS4120615SP	SCREW 3/16-28 L=6				1
7	22925101	OIL FELT PRESSER				1
8	22924153	RETURN PIPE ASM.				1
9	22924302	RETURN PIPE HOLDER		*		1
10	CQ252000000	OIL WICK				0.3
11	22924500	HOOK OIL TUBE				1
12	SS6111010TP	SCREW 11/64-40 L=9.5				1
13	22924005	PUMP BODY STRUT				1
14	22924906	OIL REGULATOR SCREW SPRING				1
15	22925002	OIL REGULATOR SCREW				1
16	22923056	OIL PUMP ASM.				1
17	22923312	PUMP BODY INSTALLING PLATE		*		1
18	SL4030851SF	SCREW M3 L=8		*		3
19	22923015	PUMP BODY		*		1
20	22923700	IMPELLER		*		1
21	SE4301041SR	SCREW D=3 L=10		*		3
22	22923205	PUMP BODY COVER		*		1
23	22923809	PUMP BODY SUPPORT PLATE		*		1
24	22923403	PLUNGER		*		1
25	22923601	PLUNGER SPRING		*		1
26	22923502	PLUNGER SCREW		*		1
27	22923908	HOOK DRIVING SHAFT OILING PIPE		*		1

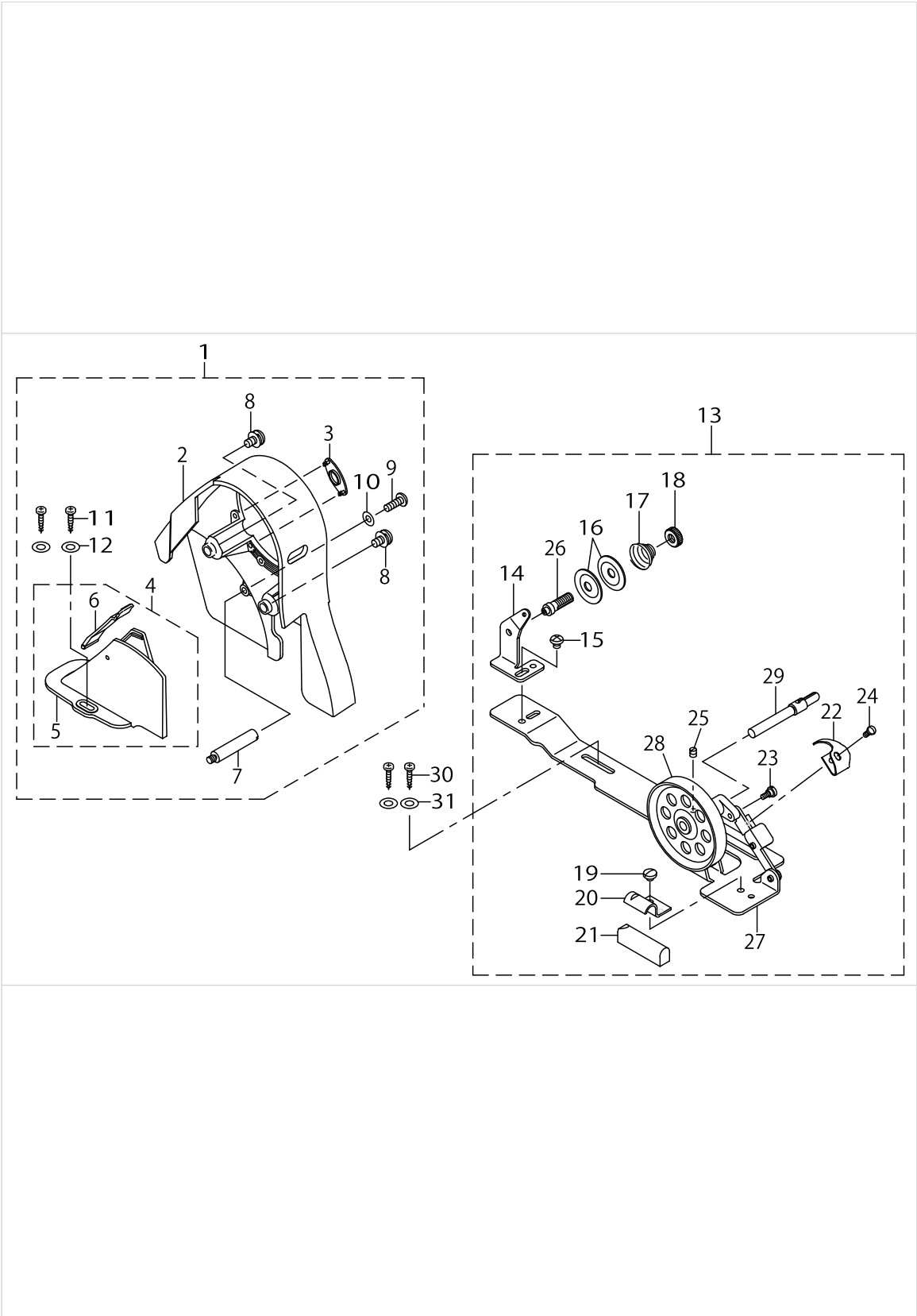
# OIL RESERVOIR COMPONENTS



OIL RESERVOIR COMPONENTS

No.	Parts No.	Parts name	Remarks	Level	Cons	Qty
1	22931851	OIL RESERVOIR ASM.				1
2	22931802	OIL RESERVOIR		*		1
3	22931901	OIL RESERVOIR GASKET		*		1
4	22932008	RUBBER CUSHION		*		4
5	SS6700710SH	SCREW 5/16-24 L=7		*		1
6	RO098240100	RUBBER RING		*		1
7	22932156	KNEE LIFTER ROTATION ARM ASM.		*		1
8	22932107	KNEE LIFTING ROTATING ARM		*		1
9	NM6060001SE	NUT M6		*		2
10	SM8063012TR	SCREW M6 L=30		*		2
11	22932206	SPRING		*		1
12	RE1000000K0	E-RING 10		*		1
13	22932453	BRACKET ASM.		*		1
14	22932404	VERTICAL SHAFT FITTING ARM		*		1
15	22934707	SCREW		*		2
16	40101720	SCREW_M6		*		1
17	22932305	KNEE PRESS CROSS SHAFT		*		1
18	NM6060001SE	NUT M6		*		1
19	22934251	KNEE PAD PLATE ASM.				1
20	22934608	KNEE PAD UPRIGHT SHAFT		*		1
21	22934400	KNEE PAD PLATE RUBBER		*		1
22	22934202	KNEE PAD PLATE		*		1
23	22934301	KNEE PAD PLATE SUPPORT		*		1
24	SM9061203SE	SCREW M6 L=12		*		1
25	22934509	KNEE PAD PLATE COVER		*		1
26	B8228125000	OIL RESERVOIR MAGNET				1
27	22931703	KNEE LIFTER PUSH ROD				1

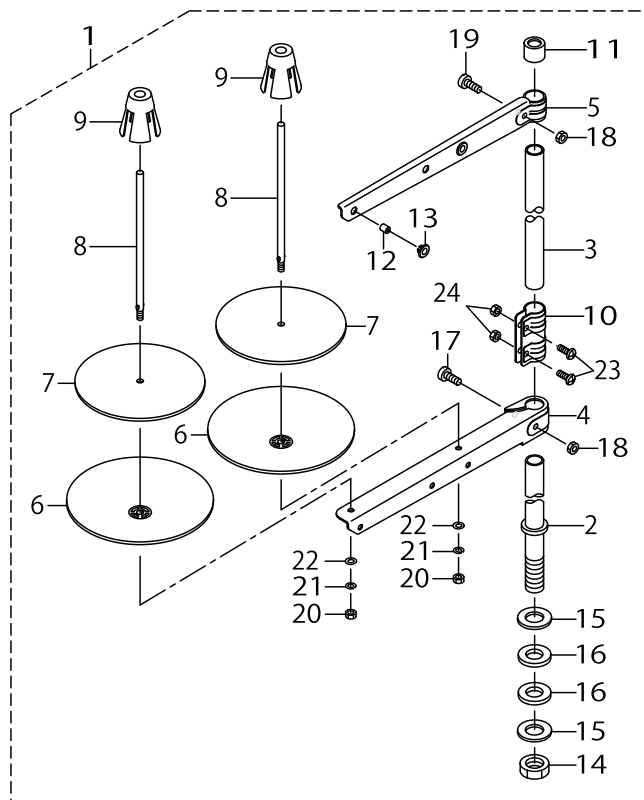
BELT COVER & BOBBIN COMPONENTS



BELT COVER & BOBBIN COMPONENTS

No.	Parts No.	Parts name	Remarks	Level	Cons	Qty
1	22933451	BELT COVER ASM.				1
2	22933402	BELT COVER A		*		1
3	22933501	BELT COVER A CAP		*		1
4	22933659	BELT COVER B COMPL.		*		1
5	22933600	BELT COVER B		*		1
6	22933758	BELT COVER B LID ASM.		*		1
7	22933907	BELT COVER STRUT		*		1
8	22934004	SET SCREW		*		2
9	SS4121415SP	SCREW 3/16-28 L=14		*		1
10	WP0501016SD	WASHER 5X10.5X1		*		1
11	SK3412000SC	WOOD SCREW D=4.1 L=20		*		2
12	WP0450826SC	WASHER 4.5X10X0.8		*		2
13	22927354	BOBBIN WINDER COMPL.				1
14	22928501	THREAD TENSION POST BASE		*		1
15	SS4110515SP	SCREW 11/64-40 L=5		*		1
16	22928907	THREAD TENSION DISK		*		2
17	22929004	THREAD TENSION SPRING		*		1
18	22928808	NUT		*		1
19	SS7110350SP	SCREW 11/64-40 L=3.5		*		1
20	22928402	CONTROL RUBBER HOLDING PLATE		*		1
21	22928303	CONTROL RUBBER		*		1
22	22928105	BOBBIN PRESSER		*		1
23	SD0490261SP	HINGE SCREW D=4.9 H=2.6		*		1
24	SS7081310SP	SCREW 1/8-44 L=12.5		*		1
25	SS8110510SP	SCREW 11/64-40 L=5		*		1
26	22928709	THREAD TENSION POST		*		1
27	22927305	BOBBIN WINDER BASE		*		1
28	22927404	BOBBIN WINDER		*		1
29	22927602	BOBBIN WINDER SPINDLE		*		1
30	SK3412000SC	WOOD SCREW D=4.1 L=20				2
31	WP0450826SC	WASHER 4.5X10X0.8				2

# THREAD STAND COMPONENTS

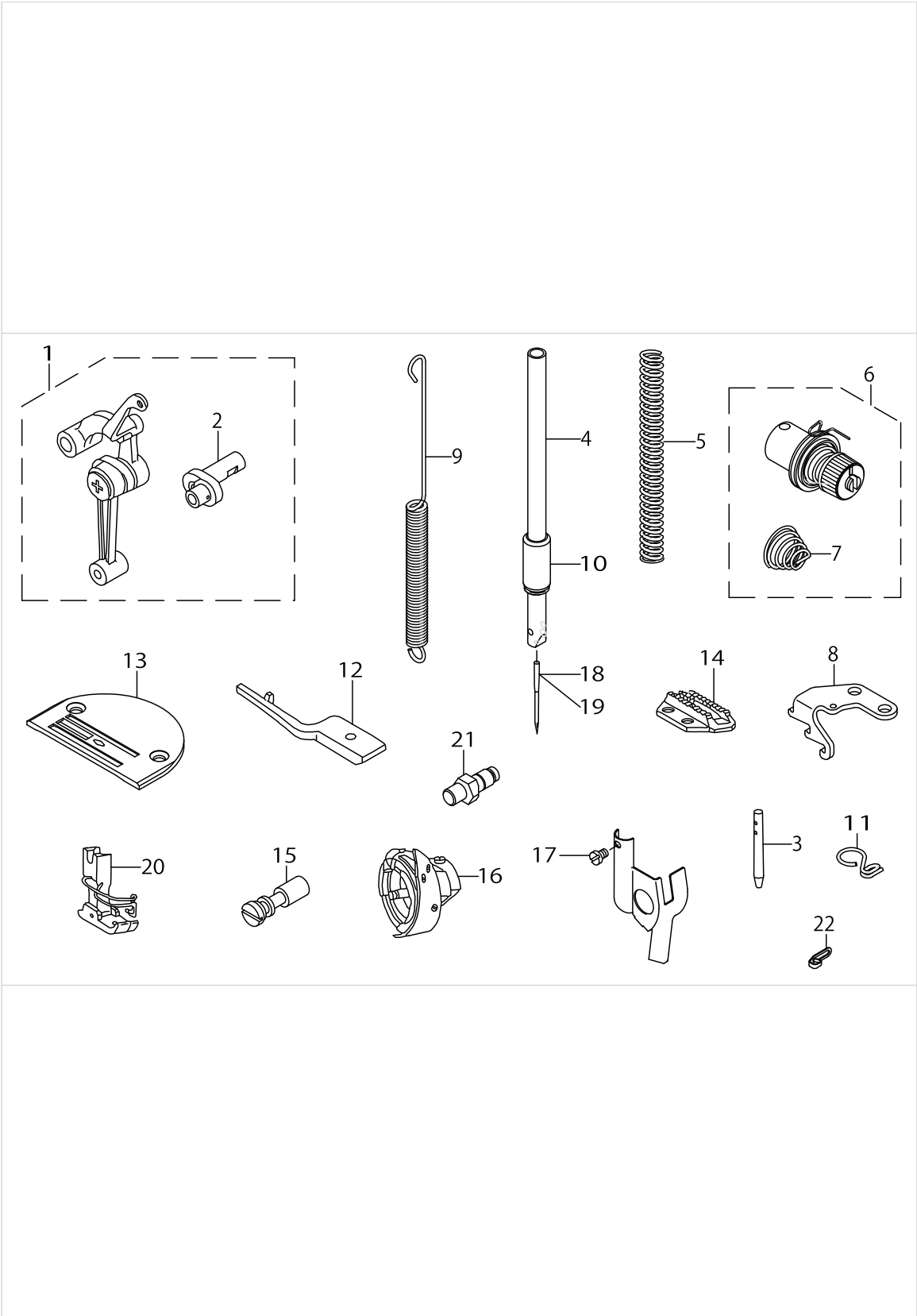


THREAD STAND COMPONENTS

No.	Parts No.	Parts name	Remarks	Level	Cons	Qty
1	40096354	THREAD STAND ASM.				1
2	40085784	SPOOL REST ROD LOWER		*		1
3	40085785	SPOOL REST ROD UPPER		*		1
4	40085786	SPOOL REST ARM LOWER		*		1
5	40085787	SPOOL REST ARM UPPER		*		1
6	40085788	SPOOL REST		*		2
7	40085789	SPOOL REST CUSHION		*		2
8	40085790	SPOOL PIN		*		2
9	40085791	SPOOL RETAINER		*		2
10	40085792	SPOOL REST ROD JOINT		*		1
11	40085793	SPOOL REST ROD RUBBER CAP		*		1
12	40085794	THREAD GUIDE		*		2
13	40085795	THREAD GUIDE BUSHING		*		2
14	40096325	SPOOL REST ROD NUT		*		1
15	WP1612616SE	WASHER 16X30X2.6		*		2
16	40085796	SPOOL REST ROD RUBBER CUSHION		*		2
17	40096326	SPOOL REST ARM LOWER SCREW		*		1
18	NM6050001SE	NUT M5		*		2
19	40096327	SPOOL REST ARM UPPER SCREW		*		1
20	NM6050001SE	NUT M5		*		2
21	WS0510002KN	SPRING WASHER M5		*		2
22	WP0531001SC	WASHER M5		*		2
23	SM4051405SE	SCREW M5 L=14		*		2
24	NM6050001SE	NUT M5		*		2



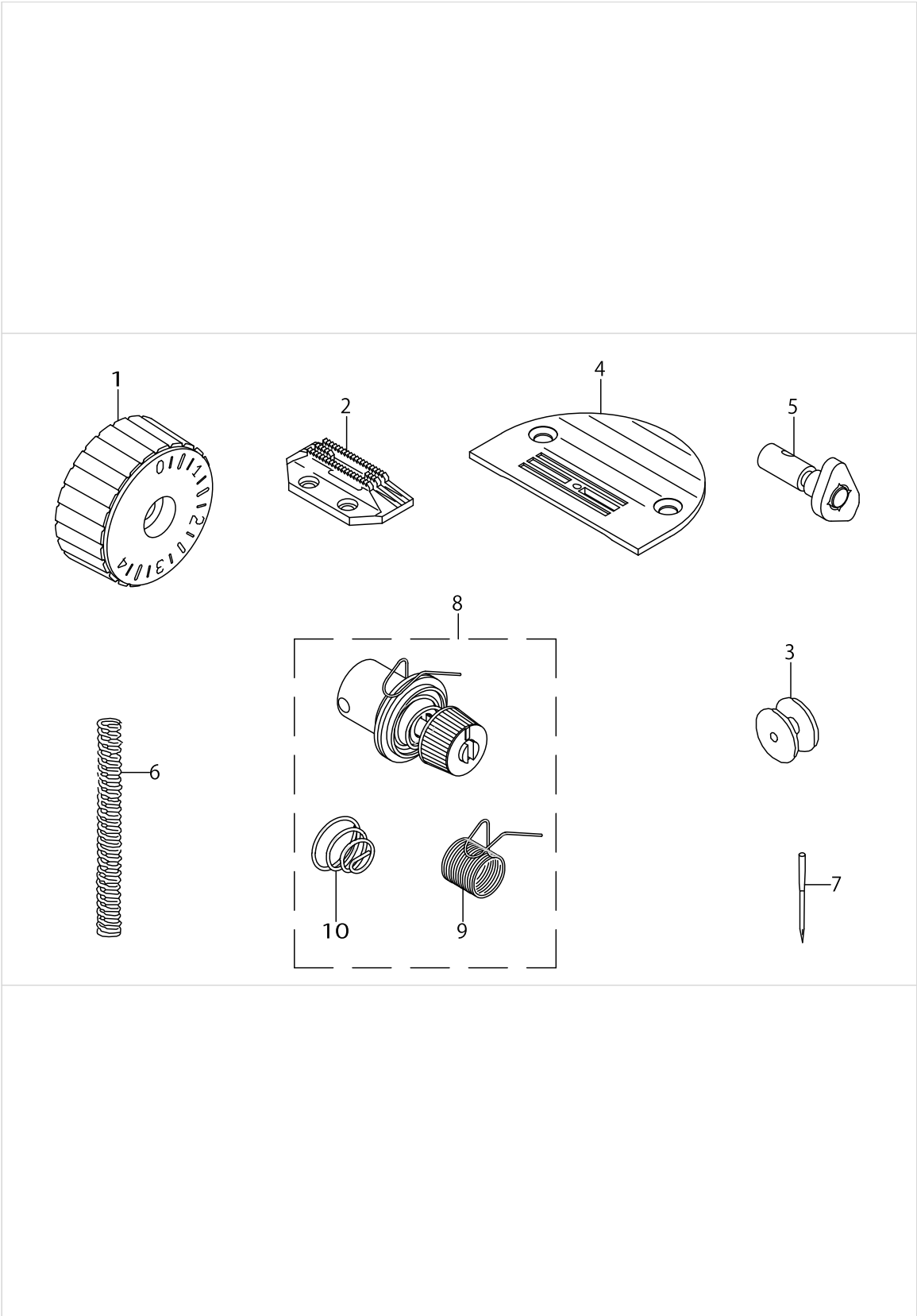
EXCLUSIVE PARTS FOR DDL-8700H



EXCLUSIVE PARTS FOR DDL-8700H

No.	Parts No.	Parts name	Remarks	Level	Cons	Qty
1	40103560	LINK_THREAD_TAKE-UP_LENER-H_ASM.				1
2	40109126	NEEDLE_BAR_CRANK_H		*		1
3	B1114012000	THREAD GUIDE PIN				1
4	22970206	NEEDLE BAR				1
5	B1505552000A	PRESSER SPRING				1
6	22962054	THREAD TENSION ASM.				1
7	22962005	THREAD TENSION SPRING		*		1
8	22970602	FEED SPRING HOOK				1
9	40080725	ADJUSTING LINK SPRING				1
10	22970313	NEEDLE BAR BUSHING LOWER				1
11	40023223	NEEDLE BAR THREAD GUIDE				1
12	11091709	POSITIONING FINGER				1
13	B1109555H0B	THROAT PLATE (H)				1
14	B1613555H00	FEED DOG (H)				1
15	B1213552000A	OIL ADJUSTING PIN				1
16	11092459	LUBRICATING HOOK ASM.				1
17	SS6080320SP	SCREW 1/8-44 L= 2.5				1
18	MC200501300	NEEDLE 134 NM130	FOR JE			1
19	MDB100B2100	NEEDLE DBX1 #21				1
20	D1524555EBL	PRESSER FOOT ASM.				1
21	22971204	FEED REGULATOR BASE PIN				1
22	11091006	ARM THREAD GUIDE (HA)				1

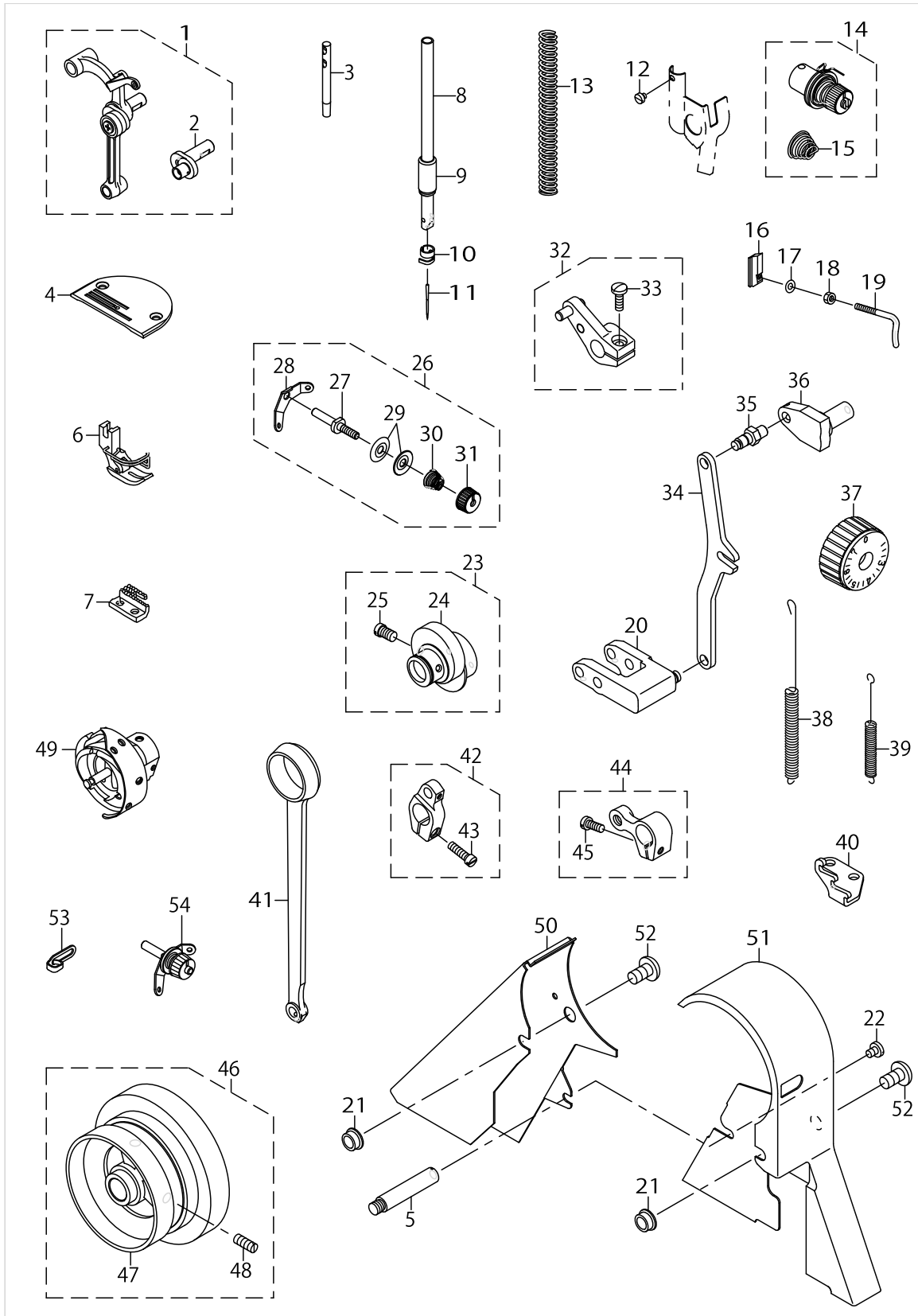
EXCLUSIVE PARTS FOR DDL-8700A



EXCLUSIVE PARTS FOR DDL-8700A

No.	Parts No.	Parts name	Remarks	Level	Cons	Qty
1	22940506	FEED DIAL				1
2	B1613012I00	FEED DOG I				1
3	22964001	BOBBIN (A)				1
4	B1109552000	THROAT PLATE				1
5	11092558	HAND LIFTER CAM ASM.				1
6	B1505227T00A	PRESSER SPRING T				1
7	MDA100B0900	NEEDLE DAX1 #9				1
8	40011503	THREAD TENSION ASM.				1
9	40054784	THREAD TAKE-UP SPRING		*		1
10	40054785	THREAD TENSION SPRING		*		1

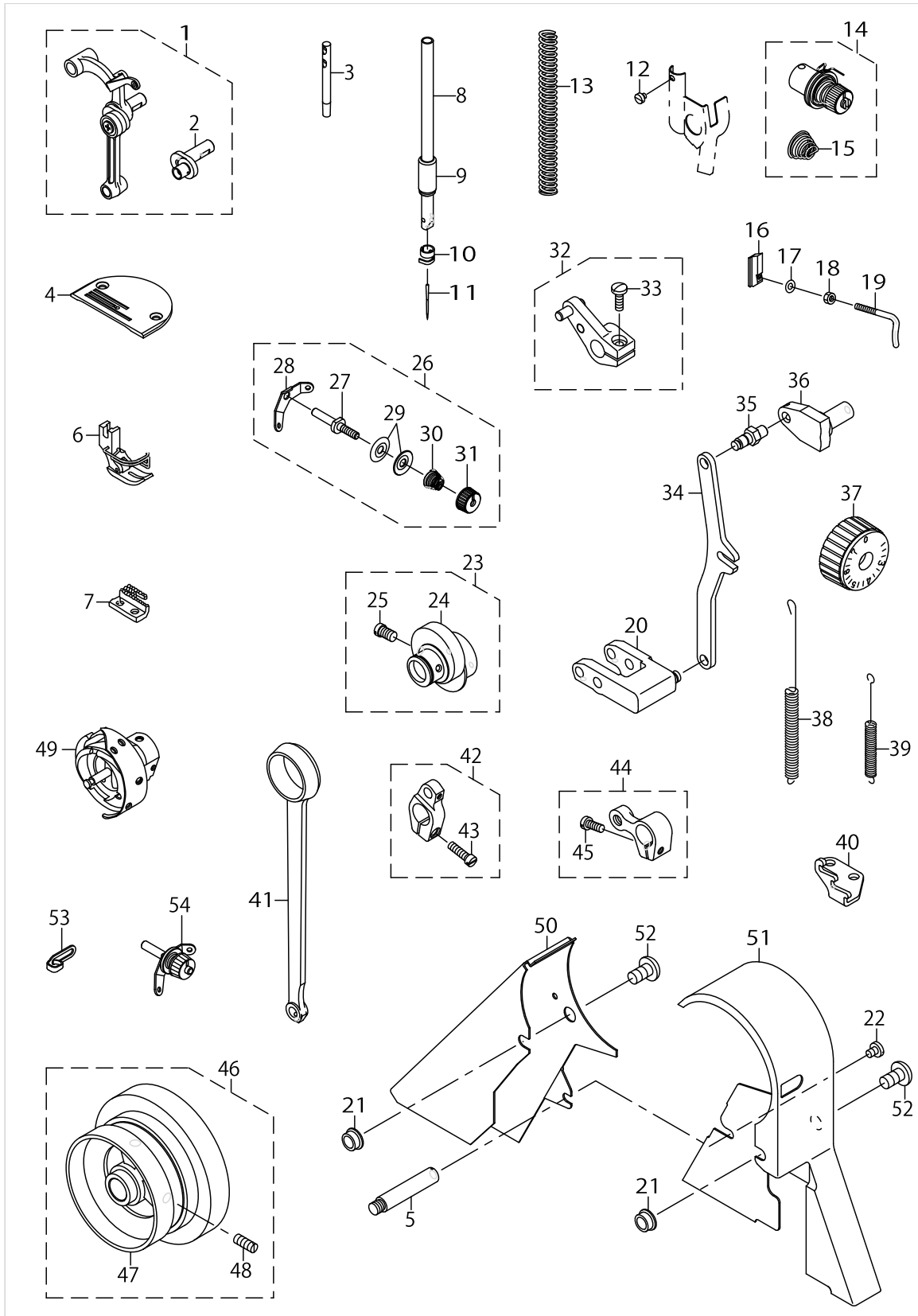
EXCLUSIVE PARTS FOR DDL-8700L



EXCLUSIVE PARTS FOR DDL-8700L

No.	Parts No.	Parts name	Remarks	Level	Cons	Qty
1	11062858	LINK THREAD TAKE-UP LEVER ASM.				1
2	11062809	NEEDLE BAR CRANK		*		1
3	22958300	NEEDLE THREAD GUIDE PIN				1
4	11062007	THROAT PLATE A				1
5	11023504	BELT COVER SUPPORT A				1
6	D1524126WBA	PRESSER FOOT ASM.				1
7	11062601	FEED DOG				1
8	22970206	NEEDLE BAR				1
9	22970313	NEEDLE BAR BUSHING LOWER				1
10	22970404	NEEDLE BAR THREAD HOOK				1
11	MDB100B2100	NEEDLE DBX1 #21				1
12	SS6080320SP	SCREW 1/8-44 L=2.5				1
13	B1505552000A	PRESSER SPRING				1
14	22962054	THREAD TENSION ASM.				1
15	22962005	THREAD TENSION SPRING		*		1
16	11403805	THREAD GUIDE C FITTING PLATE				1
17	WP0371016SD	WASHER 3.7X8X1				1
18	NS6090310SP	NUT 9/64-40				1
19	11305513	ARM THREAD GUIDE C				1
20	22970958	FEED ADJUST LINK ASM.				1
21	11023603	BELT COVER COLLAR				2
22	SS7120640SP	SCREW 3/16-28 L=6				1
23	22970552	FEED ECCENTRIC CAM ASM.				1
24	22970503	FEED ECCENTRIC CAM L		*		1
25	22972806	FEED ECCENTRIC CAM SETSCREW		*		2
26	22945455	THREAD TENSION ASM. NO.1				1
27	22945406	THREAD TENSION POST		*		1
28	22945604	THREAD TENSION GUIDE		*		1
29	22945802	THREAD TENSION DISK		*		2
30	22945505	THREAD TENSION SPRING		*		1
31	22945703	THREAD TENSION NUT		*		1
32	22971550	FEED LEVER ARM ASM.				1
33	SS7121410TP	SCREW 3/16-28 L=14		*		1
34	22971105	FEED REGULATOR ROD				1
35	22971204	FEED REGULATOR BASE PIN				1
36	22971303	FEED REGULATOR BASE				1
37	22971402	FEED DIAL				1
38	11302619	SPRING				1
39	22971709	FEED REVERSE SPRING				1
40	22970602	FEED SPRING HOOK				1
41	22970701	HORIZONTAL FEED ROD				1
42	22970859	HORIZONTAL FEED ARM ASM.				1
43	SS6121610SP	SCREW 3/16-28 L=15.5		*		1
44	22972251	VERTICAL FEED ARM ASM.				1
45	SS6121610SP	SCREW 3/16-28 L=15.5		*		1
46	22970156	HAND WHEEL ASM.				1
47	22970107	HAND WHEEL		*		1

EXCLUSIVE PARTS FOR DDL-8700L



EXCLUSIVE PARTS FOR DDL-8700L

No.	Parts No.	Parts name	Remarks	Level	Cons	Qty
48	SS8151550SP	SCREW 15/64-28 L=15		*		2
49	11062759	OIL HOOK ASM.				1
50	11072907	BELT COVER A				1
51	11073004	BELT COVER B				1
52	SS4701415SD	SCREW				2
53	11091006	ARM THREAD GUIDE (HA)				1
54	22963458	THREAD TENSION ASM.				1



LIST FOR INFORMATION OF CHANGE (1)

As to the place changed, refer to the corresponding Rev.No.  
 When previous parts(Obsoleted part)and new parts(Added parts)are  
 not interchangeable with each other:  
 In this case,even obsoleted parts(D.)can be ordered with the  
 obsoleted part number,so select the parts with changed dates and  
 place your orders.

変更箇所は、該当Rev.No.版をご参照ください。  
 部品の互換性がない変更の場合は、削除された品番でも、ご注文できます。

29346509  
 No.1305-08}・・Rev.No.

\*A:Added parts追加部品/D:Obsoleted parts削除部品/E:Erratum訂正

* Rev. No.	Page 頁	Ref. No.	Parts No. 品番	* Rev. No.	Page 頁	Ref. No.	Parts No. 品番
D 07	2	1	229-02159	A 08	2	1	401-02097
D 07	2	7	SS-4120915-SP	A 08	2	7	SS-4120925-SP
D 07	2	40	SS-4120915-SP	A 08	2	40	SS-4120925-SP
D 07	2	49	229-02605	A 08	2	49	400-99083
D 07	2	50	SS-7110540-SP	A 08	2	50	SS-7110720-SP
				A 08	2	53	401-16677
D 07	4	4	110-39070	A 08	4	4	229-18072
D 07	4	5	110-39062	A 08	4	5	229-18064
D 07	4	6	B1905-541-B00	A 08	4	6	229-18403
				A 08	4	7	229-18502
				A 08	4	8	229-18601
				A 08	4	9	229-18700
D 07	4	7	110-05204	A 08	4	10	229-18106
D 07	4	8	B1408-552-000	A 08	4	11	229-06606
D 07	4	9	B1903-552-000	A 08	4	12	229-18304
D 07	4	10	229-03157	A 08	4	13	401-06606
D 07	4	15	229-03108	A 08	4	15	401-06607
D 07	4	21	110-02508	A 08	4	21	401-05231
D 07	6	1	229-01409	A 08	6	1	TA-0850604-R0
D 07	6	6	B1414-555-000	A 08	6	6	400-90058
D 07	6	12	B1307-155-OC0				
D 07	6	13	B1306-155-OB0				
D 07	6	18	B1307-155-OB0				
D 07	6	28	SS-4120915-SP	A 08	6	28	SS-4120925-SP
D 07	10	10	229-11903	A 08	10	10	401-01726
D 07	10	28	229-12752	A 08	10	28	401-02264
D 07	10	29	SM-8061050-TP				
D 07	10	31	229-40803	A 08	10	31	401-01462
D 07	10	43	229-10350	A 08	10	43	401-10379
D 07	10	44	SS-7121410-TP	A 08	10	44	SS-6121610-SP
D 07	10	45	229-15151	A 08	10	45	401-09422
D 07	10	64	229-12604	A 08	10	64	401-00812
D 07	10	66	SS-8150710-TP	A 08	10	66	SS-6151220-SP
D 07	12	12	229-24807				
D 07	12	13	SS-4150915-SP				
D 07	12	17	229-23304	A 08	12	17	229-23312



## HOW TO MAKE USE OF THIS PARTS LIST

### 1.Explanation of codes

1)"\*"mark.....means this part is changed from the previous parts book.

As to the details of the change, refer to the "List for information of change".

2)"#01".....refer to "Note" explanation at bottom of page.

### 2.Codes on the "Qty" column

• Each numeral indicates the number of parts required.

• "0.1" and "2.5" indicate the length (in meters) of the respective parts.

3.Parentheses mean that the corresponding part is a subpart that constructs an assembly part.

4.Dotted lines on the Figures indicate assembly parts.

### 1."注記"欄の記号説明

1) "\*"印.....前回のパーツブックに比較して今回変更された部品を意味します。

変更内容は、"変更情報リスト"を参照してください。

2) "#01".....ページ下の"注記"の説明を参照してください。

2.数量欄の数字は、個数を表し、0.1、2.5等の数値は、長さ（単位メートル）を表します。

3.数量欄の（ ）は、組部品を構成している子部品であることを意味します。

4.イラストページの-----枠は、組構成であることを意味します。

# NUMERICAL INDEX OF PARTS

PART NO	PAGE	REF NO.	PART NO	PAGE	REF NO.	PART NO	PAGE	REF NO.
11002409	6	20	22906606	6	11	22915201	14	48
11002904	6	28	22906705	8	3·12·13	22915359	14	67
11010311	12	17	22907208	10	28	22916001	8	31
11015906	8	39	22907307	10	6	22916100	8	35
11023504	28	5	22907406	10	27	22916308	8	27
11023603	28	21	22907505	10	26	22916407	8	32
11028008	2	46	22907554	10	24	22916506	8	40
11062007	28	4	22907604	10	25	22916555	8	38
11062601	28	7	22907703	10	35	22917058	8	36
11062759	30	49	22907802	10	1	22917157	8	29
11062809	28	2	22908008	10	32	22918064	6	5
11062858	28	1	22908156	10	30	22918072	6	4
11072907	30	50	22908305	10	34	22918106	6	10
11073004	30	51	22908354	10	29	22918304	6	12
11091006	24	22	22908552	10	4	22918403	6	6~9
11091006	30	53	22908701	10	7	22918502	6	6~9
11091709	24	12	22908800	10	14	22918601	6	6~9
11092459	24	16	22908909	10	12	22918700	6	6~9
11092558	26	5	22909006	10	15	22919203	6	3
11302619	28	38	22910004	6	37	22919559	6	2
11305513	28	19	22910053	6	35	22920003	10	22
11403805	28	16	22910103	6	34	22920102	10	23
11415205	2	18·47	22910202	12	12·58	22920201	10	18
22900401	2	8	22910459	12	27	22920300	10	21
22900609	2	18·47	22910806	12	23	22920409	10	19
22900757	2	4	22910905	12	24	22920508	2	21
22901003	2	45	22911002	12	40	22920607	2	37
22901201	2	42	22911101	12	13	22920706	2	17
22901250	2	41	22911309	12	22	22920904	2	34
22901300	2	43	22911408	12	1	22921001	2	22
22901805	4	52	22911507	12	2	22921209	2	29
22903009	6	31	22911606	12	4	22921308	2	24
22903207	6	25	22911705	12	5	22921407	2	25
22903306	6	27	22911804	12	7	22921506	2	28
22903900	6	32	22912000	12	9	22921605	2	30
22904155	6	23	22912109	12	8	22921704	2	26
22904155	14	61	22912257	12	19	22921803	2	27
22905004	8	23	22912505	12	20	22923015	16	19
22905103	8	25	22912802	14	65	22923056	16	16
22905202	8	26	22912901	12	39	22923205	16	22
22906002	8	3·12·13	22913008	14	60	22923312	16	17
22906101	8	2	22913701	12	38	22923403	16	24
22906200	8	8	22913800	14	12·58	22923502	16	26
22906309	8	10	22914105	14	52	22923601	16	25
22906457	8	4	22915003	12	15	22923700	16	20

# NUMERICAL INDEX OF PARTS

PART NO	PAGE	REF NO.	PART NO	PAGE	REF NO.	PART NO	PAGE	REF NO.
22923809	16	23	22933659	20	4	22971204	28	35
22923908	16	27	22933758	20	6	22971303	28	36
22924005	16	13	22933907	20	7	22971402	28	37
22924153	16	8	22934004	20	8	22971550	28	32
22924302	16	9	22934202	18	22	22971709	28	39
22924401	16	3	22934251	18	19	22971857	12	35
22924500	16	11	22934301	18	23	22972251	28	44
22924609	16	5	22934400	18	21	22972806	28	25
22924708	16	1	22934509	18	25	40010007	8	3·12·13
22924906	16	14	22934608	18	20	40011503	26	8
22925002	16	15	22934707	18	15	40012126	2	2
22925101	16	7	22940506	26	1	40012129	2	9
22927206	6	29	22940654	14	55	40012444	8	7·18
22927305	20	27	22941306	12	36	40017805	10	5
22927354	20	13	22945307	2	31	40023223	24	11
22927404	20	28	22945356	2	23	40054784	26	9
22927602	20	29	22945406	28	27	40054785	26	10
22928105	20	22	22945455	28	26	40060989	10	16
22928303	20	21	22945505	28	30	40080725	24	9
22928402	20	20	22945604	28	28	40085784	22	2
22928501	20	14	22945703	28	31	40085785	22	3
22928709	20	26	22945802	28	29	40085786	22	4
22928808	20	18	22958300	28	3	40085787	22	5
22928907	20	16	22962005	24	7	40085788	22	6
22929004	20	17	22962005	28	15	40085789	22	7
22931703	18	27	22962054	24	6	40085790	22	8
22931802	18	2	22962054	28	14	40085791	22	9
22931851	18	1	22963458	30	54	40085792	22	10
22931901	18	3	22964001	26	3	40085793	22	11
22932008	18	4	22970107	28	47	40085794	22	12
22932107	18	8	22970156	28	46	40085795	22	13
22932156	18	7	22970206	24	4	40085796	22	16
22932206	18	11	22970206	28	8	40089548	12	25
22932305	18	17	22970313	24	10	40090058	8	6
22932404	18	14	22970313	28	9	40093417	12	26
22932453	18	13	22970404	28	10	40096325	22	14
22932503	2	13	22970503	28	24	40096326	22	17
22932552	2	12	22970552	28	23	40096327	22	19
22932602	2	14	22970602	24	8	40096354	22	1
22932701	2	15	22970602	28	40	40099083	4	49
22932909	8	41	22970701	28	41	40100812	14	64
22933402	20	2	22970859	28	42	40101462	12	31
22933451	20	1	22970958	28	20	40101720	18	16
22933501	20	3	22971105	28	34	40101726	12	10
22933600	20	5	22971204	24	21	40102097	2	1

NUMERICAL INDEX OF PARTS

PART NO	PAGE	REF NO.	PART NO	PAGE	REF NO.	PART NO	PAGE	REF NO.
40102264	12	28	NS6680410SP	12	42	SS6090910SP	10	11
40103560	24	1	RC0150001KP	12	54	SS6110420TP	8	30
40105231	6	21	RC0150001KP	14	54	SS6110610TP	2	38
40106606	6	13	RC1850001KP	6	22	SS6111010TP	16	12
40106607	6	15	RE0500000K0	10	33	SS6121610SP	12	44
40109126	24	2	RE0500000K0	12	21	SS6121610SP	28	45
40109422	12	45	RE1000000K0	18	12	SS6121860SP	12	11
40110379	12	43	RO029180100	6	33	SS6151220SP	14	66
40116677	4	53	RO037180100	10	3	SS6661110SP	6	36
B1109552000	2	35	RO044240100	6	18	SS6700710SH	18	5
B1109552000	26	4	RO078190100	14	63	SS7080510TP	8	9
B1109555H0B	24	13	RO092270200	12	16	SS7081310SP	20	24
B1114012000	24	3	RO098240100	18	6	SS7091110TP	10	8
B1213552000A	24	15	RO195240100	16	2	SS7110350SP	20	19
B1215552000	6	26	SD0380552SL	2	16	SS7110720SP	4	50
B13050120A0	8	14	SD0490261SP	20	23	SS7110740TP	14	53
B13061550A0	8	16	SD0720331SP	10	13	SS7111120SP	14	68
B13071550A0	8	19	SD1000801SH	12	47	SS7120640SP	28	22
B13081550A0	8	21	SE4301041SR	16	21	SS7120770SH	12	6
B1505227T00A	26	6	SK3412000SC	20	30	SS7121410TP	14	56
B1505552000A	24	5	SL4030851SF	16	18	SS7121410TP	28	33
B1505552000A	28	13	SM4051405SE	22	23	SS7121610SP	12	46
B1521555000	10	2	SM8061010TP	12	29	SS7681650TP	6	14
B15240120BA	10	20	SM8063012TR	18	10	SS8090670SP	2	32
B1613012A00	12	33	SM9061203SE	18	24	SS8110410TP	8	37
B1613012I00	14	59	SS2110920TP	2	36	SS8110510SP	20	25
B1613012I00	26	2	SS4080620TP	12	34	SS8150710TP	2	33
B1613555H00	24	14	SS4090615SP	6	19	SS8151150TP	6	1
B18301270A0	8	24	SS4110515SP	12	37	SS8151550SP	6	30
B18370120A0	8	42	SS4110515SP	20	15	SS8151550SP	30	48
B8228125000	18	26	SS4110915TP	8	33	SS8660610TP	6	24
CM300200001	4	48	SS4120615SP	2	20	SS8660610TP	14	62
CM301200001	4	51	SS4120615SP	16	6	SS8660810TP	8	22
CQ252000000	16	10	SS4120925SP	2	40	SS8660810TP	10	10
D1524126WBA	28	6	SS4120925SP	8	28	SS8681650TP	6	16
D1524555EBL	24	20	SS4121415SP	20	9	TA0850604R0	2	5
MC200500900	8	11-34	SS4150915SP	16	4	TA0850604R0	8	1
MC200501300	24	18	SS4701415SD	30	52	TA1250406R0	2	39
MDA100B0900	26	7	SS6060210SP	2	44	TA1250705R0	2	6
MDB100B1400	8	11-34	SS6080320SP	24	17	TA2000502R0	2	10
MDB100B2100	24	19	SS6080320SP	28	12	TA2101002R0	2	11
MDB100B2100	28	11	SS6080410SP	2	3	WP0371016SD	28	17
NM6050001SE	22	24	SS6090620TP	12	41	WP0450826SC	20	31
NM6060001SE	18	18	SS6090670TP	8	5	WP0480856SP	14	57
NS6090310SP	28	18	SS6090670TP	12	3	WP0501016SD	20	10

## NUMERICAL INDEX OF PARTS

PART NO	PAGE	REF NO.
WP0531001SC	22	22
WP1612616SE	22	15
WS0510002KN	22	21