

MODEL : MH-1410

List No : 1303-01

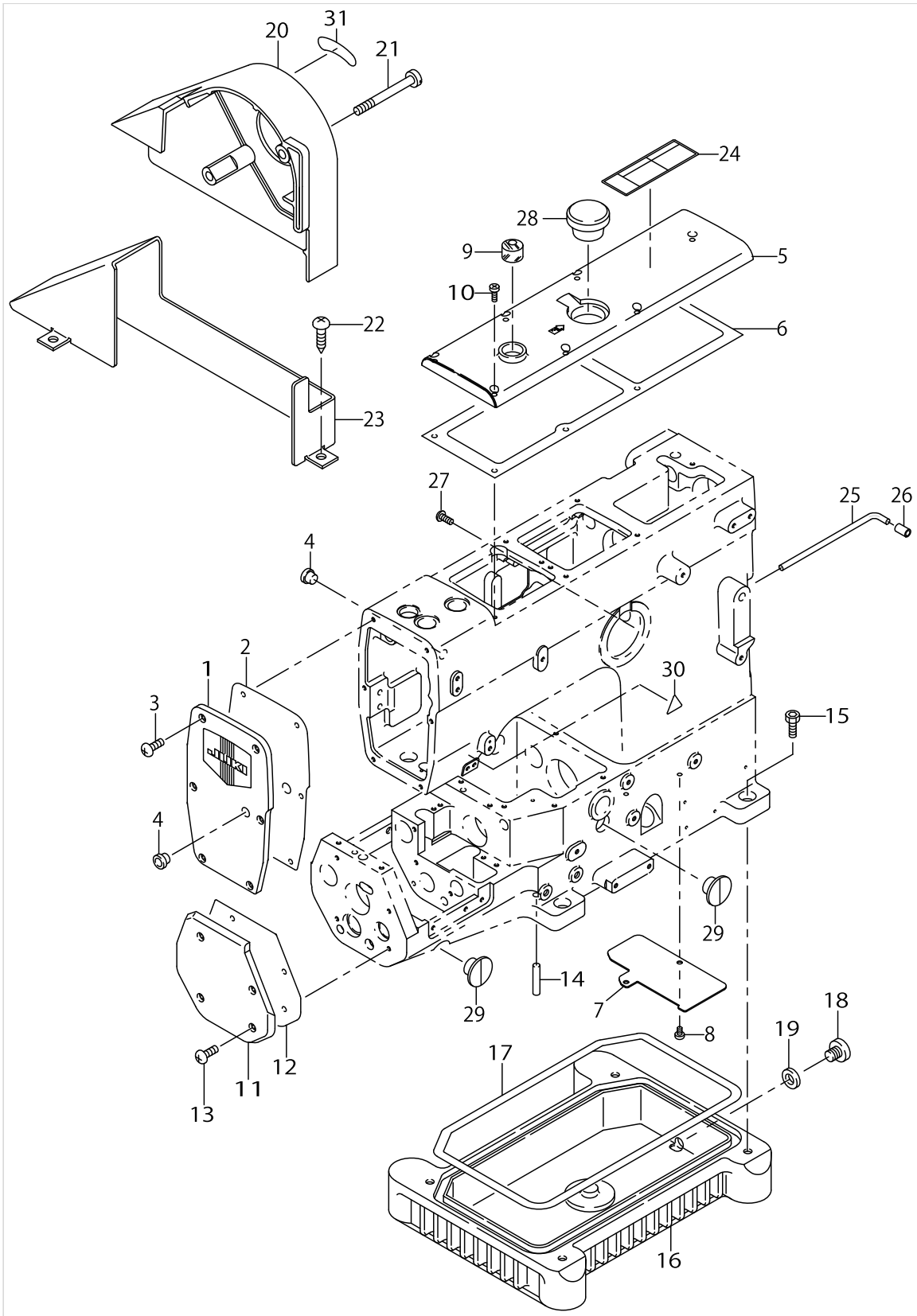
PARTS LIST

Published:09/10/2017

CONTENTS

FRAME & MISCELLANEOUS COVER COMPONENTS (1)	1
FRAME & MISCELLANEOUS COVER COMPONENTS (2)	3
UPPER SHAFT COMPONENTS	7
LOWER SHAFT COMPONENTS.....	9
NEEDLE ROD COMPONENTS.....	13
PRESSER FOOT COMPONENTS.....	15
FEED MECHANISM COMPONENTS.....	17
LOOPER COMPONENTS	21
SPREADER COMPONENTS.....	23
THREAD TENSION COMPONENTS	25
LUBRICATION MECHANISM COMPONENTS.....	29
CLOTH PULLER EXCLUSIVE PARTS (1).....	31
CLOTH PULLER EXCLUSIVE PARTS (2).....	33
CLOTH PULLER EXCLUSIVE PARTS (3).....	35
CLOTH PULLER EXCLUSIVE PARTS (4).....	37
GAGE EXCLUSIVE PARTS (1)	39
GAGE EXCLUSIVE PARTS (2)	43
THREAD STAND COMPONENTS.....	47
TABLE COMPONENTS.....	51
SPECIAL ORDER PARTS COMPONENTS.....	53
ACCESSORIE PARTS COMPONENTS	55
PRESSER LIFTER COMPONENTS	57
OPTIONAL COMPONENTS (1).....	59
OPTIONAL COMPONENTS (2).....	61
HOW TO MAKE USE OF THIS PARTS LIST	62

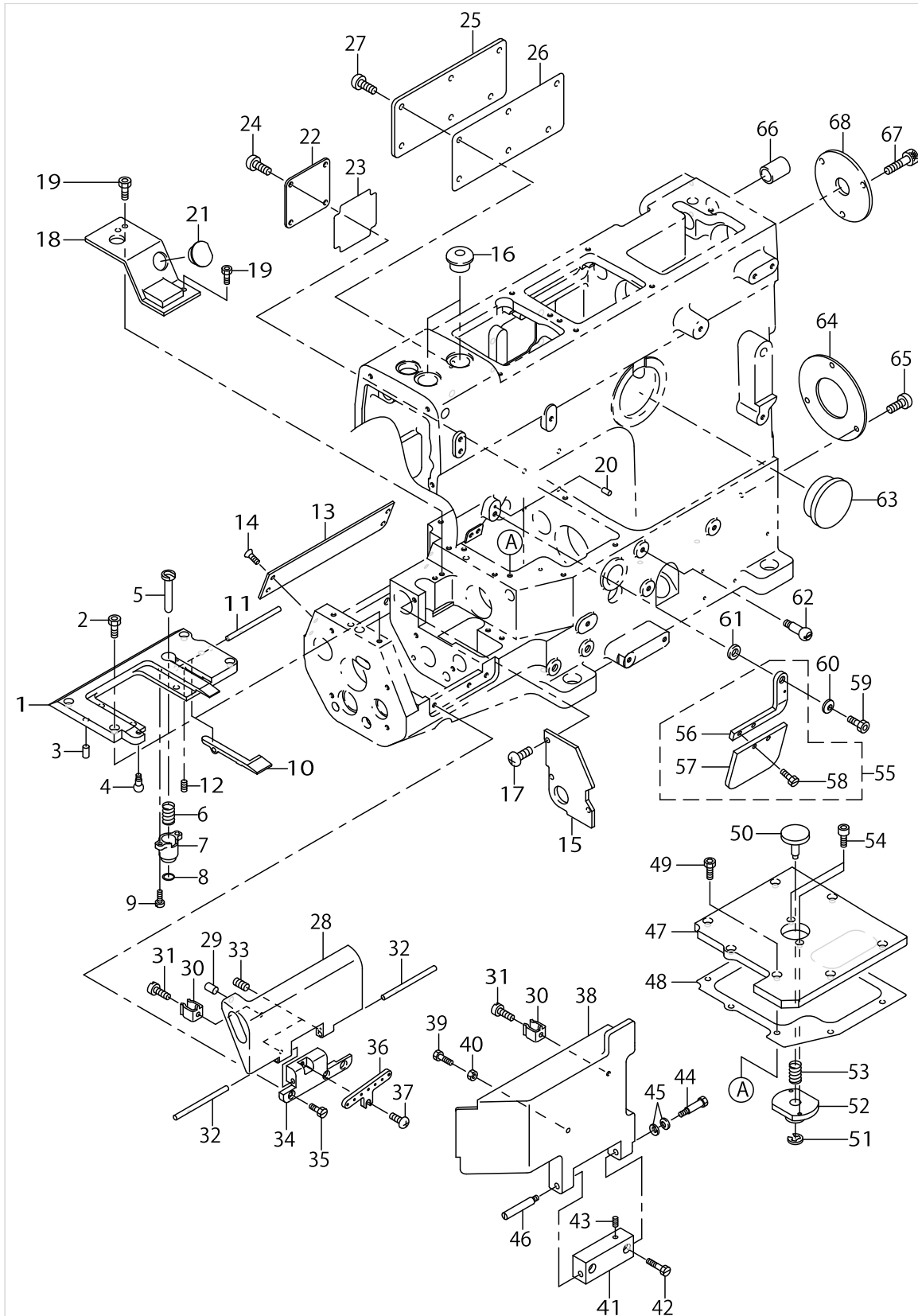
FRAME & MISCELLANEOUS COVER COMPONENTS (1)



FRAME & MISCELLANEOUS COVER COMPONENTS (1)

No.	Parts No.	Parts name	Remarks	Level	Cons	Qty
1	31100506	FACE PLATE				1
2	31100605	FACE PLATE PACKING				1
3	31168107	SCREW (M4X0.7-10) 45				6
4	31178205	RUBBER CAP				2
5	31101405	TOP COVER				1
6	31102700	TOP COVER PACKING				1
7	31101900	DUST PROOF PLATE				1
8	31168503	SCREW (M4X0.7-5) 45				2
9	31104706	OIL SIGHT WINDOW				1
10	31168008	SCREW (M4X0.7-12) 45				7
11	31101207	CYLINDER COVER (LEFT)				1
12	31101603	CYLINDER COVER PACKING				1
13	31168107	SCREW (M4X0.7-10) 45				4
14	31104607	KNOCK PIN				4
15	31164007	SCREW (M8X1.25-20) 62				4
16	31104102	OIL RESERVOIR				1
17	31104201	OIL RESERVOIR PACKING				1
18	31161805	SCREW (3/8X24-8) 70				1
19	31181506	PACKING				1
20	31105950	BELT COVER ASM.				1
21	31165509	SCREW (M6X1-63) 60				2
22	GAKA2222000	WOOD SCREW (5.1X20)				3
23	31106107	BELT COVER (LOWER)				1
24	CM3002001B1	SAFETY LABEL 12				1
25	31140205	POSITIONER PIN	FOR SC-380			1
26	31140304	POSITIONER PIN CUSHION	FOR SC-380			1
27	31168107	SCREW (M4X0.7-10) 45				1
28	31178106	RUBBER CAP				1
29	31105703	SCREW (M14X2-6) 60				2
30	CM300200001	ATTENTION SEAL 16				1
31	31106008	ROTATION DIRECTION SEAL				1

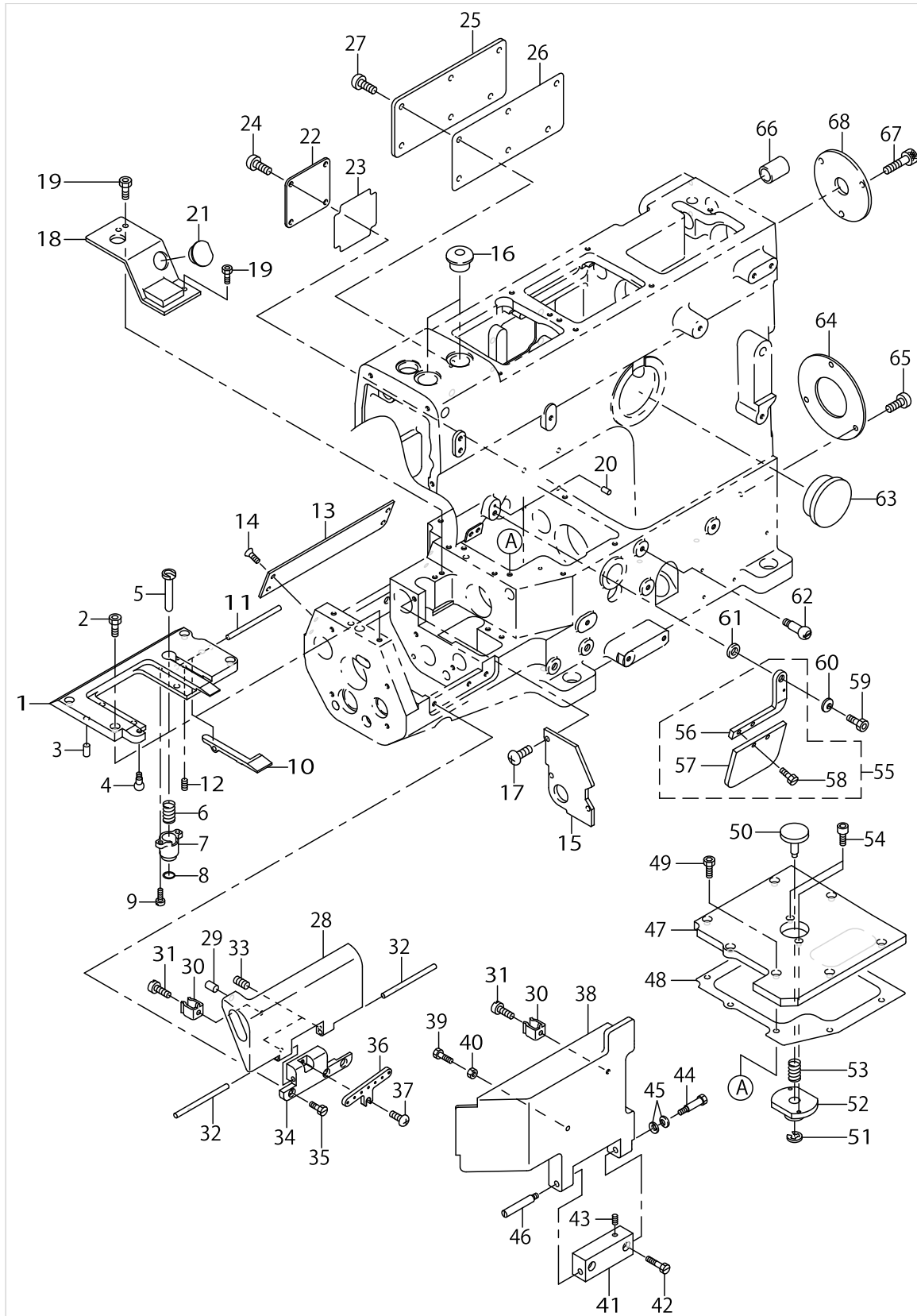
FRAME & MISCELLANEOUS COVER COMPONENTS (2)



FRAME & MISCELLANEOUS COVER COMPONENTS (2)

No.	Parts No.	Parts name	Remarks	Level	Cons	Qty
1	31101504	THROAT PLATE FITTING BASE				1
2	31160906	SCREW (M4X0.7-10) 60				4
3	31103906	KNOCK PIN				2
4	31104508	SPRING HOLDER				1
5	31126600	LOOPER POP-UP BUTTON				1
6	31103807	LOOPER POP-UP GUIDE SPRING				1
7	31126501	LOOPER POP-UP GUIDE				1
8	31181209	O-RING				1
9	31164304	SCREW (M3X0.5-6.5) 62				2
10	31126808	BUTTON LEVER				1
11	31177009	PARALLEL PIN (φ 4X25)				1
12	31169501	SCREW (M3X0.5-3) 82				1
13	31101306	CYLINDER COVER (REAR)				1
14	31169006	SCREW (M3X0.5-6) 10				4
15	31102403	LOOPER ECCENTRIC COVER (LEFT)				1
16	31178304	RUBBER CAP				2
17	31168404	SCREW (M4X0.7-8) 45				3
18	31102502	LOOPER ECCENTRIC COVER (UPPER)				1
19	31162704	SCREW (M4X0.7-6) 62				3
20	31176902	SPRING PIN				1
21	31102601	RUBBER CAP				1
22	31102205	ADJUSTING SLIDE COVER				1
23	31102304	ADJUSTING SLIDE COVER PACKING				1
24	31168404	SCREW (M4X0.7-8) 45				4
25	31104003	SLIDE PLATE				1
26	31105307	SLIDE PLATE PACKING				1
27	31168404	SCREW (M4X0.7-8) 45				6
28	31101108	CYLINDER COVER				1
29	31177900	PLUG				1
30	31104409	COVER OPEN AND SHUT SPRING				2
31	31168503	SCREW (M4X0.7-5) 45				2
32	31177009	PARALLEL PIN				2
33	31169501	SCREW (M3X0.5-3) 82				2
34	31101009	CYLINDER COVER HINGE				1
35	31160807	SCREW (M4X0.7-8) 60				3
36	31126105	LOOPER THREAD WAY (LEFT)				1
37	31162001	SCREW (M4X0.7-6) 60				1
38	31100803	LOOPER BALANCE COVER				1
39	31164403	SCREW (M4X0.7-16) 62				1
40	31171309	NUT M4				1
41	31100902	LOOPER BALANCE COVER HINGE				1
42	31168206	SCREW (M4X0.7-15) 45				2
43	31169600	SCREW (M4X0.7-4) 82				1
44	31103708	SCREW (M4X0.7-8) 60				1
45	31174105	SPRING WASHER				2
46	31166200	HIGE PIN SCREW				1
47	31100704	BED TOP COVER				1

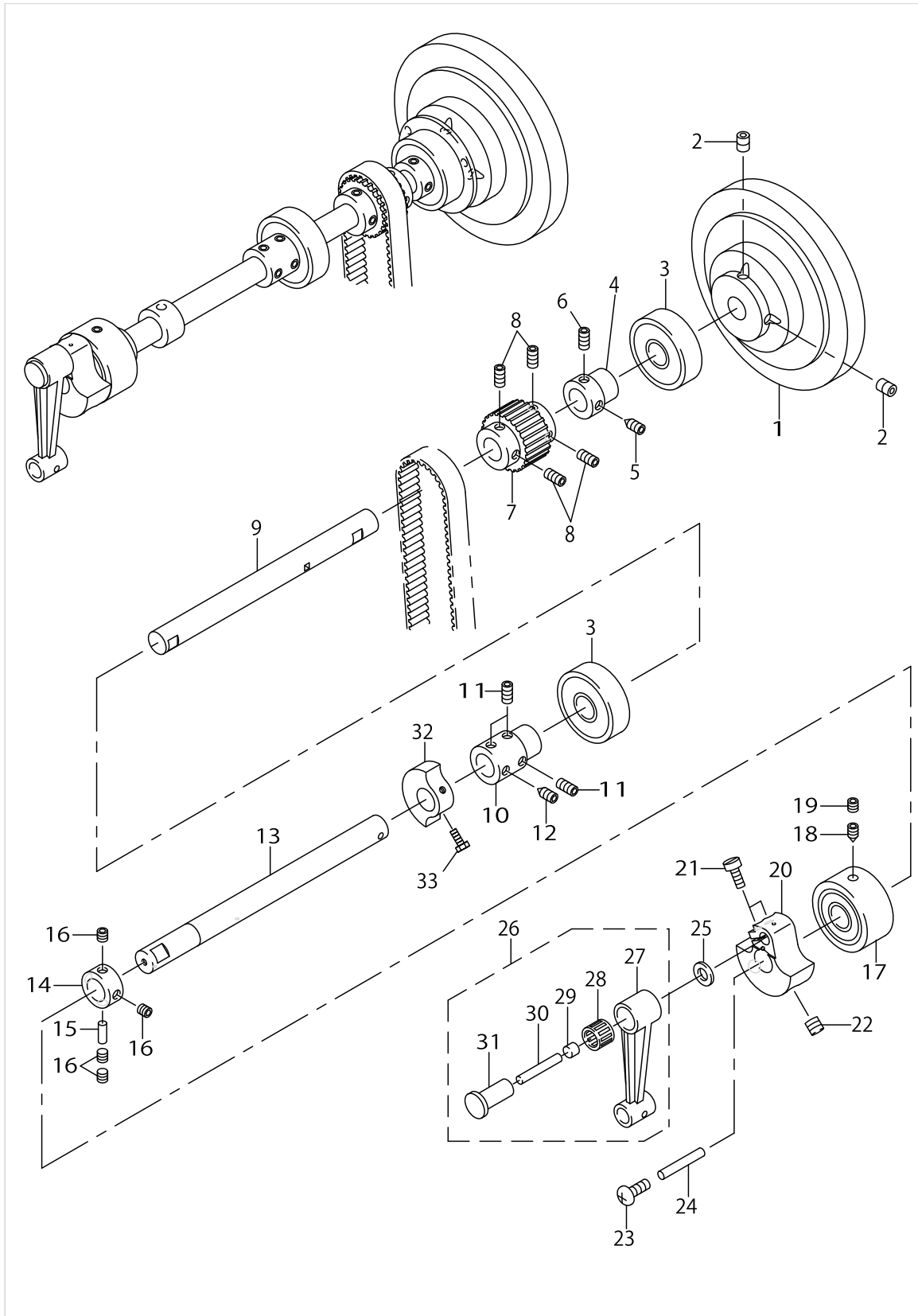
FRAME & MISCELLANEOUS COVER COMPONENTS (2)



FRAME & MISCELLANEOUS COVER COMPONENTS (2)

No.	Parts No.	Parts name	Remarks	Level	Cons	Qty
48	31101702	BED TOP COVER PACKING				1
49	31164106	SCREW (M4X0.7-10) 62				7
50	31102908	FEED ADJUSTING BUTTON				1
51	31175508	E-RING				1
52	31103005	BUTTON GUIDE				1
53	31103807	LOOPER POP-UP GUIDE SPRING				1
54	31164304	SCREW (M3X0.5-8) 62				2
55	31102056	EYE GUARD COVER ASM.				1
56	31102007	EYE GUARD FITTING PLATE		*		1
57	31102106	EYE GUARD COVER		*		1
58	31161003	SCREW (M2.5X0.45-4.5) 70		*		2
59	31166507	STEP-SCREW (M4X0.7-5) 60				1
60	31174204	SPRING WASHER				1
61	31173909	WASHER				1
62	31104300	BALANCE COVER SPRING HOLDER				1
63	31100209	RUBBER CAP				1
64	31106206	BEARING COVER				1
65	31168404	SCREW (M4X0.7-8) 45				3
66	31178007	RUBBER CAP				1
67	31168404	SCREW (M4X0.7-8) 45				3
68	31102809	BEARING COVER (UPPER)				1

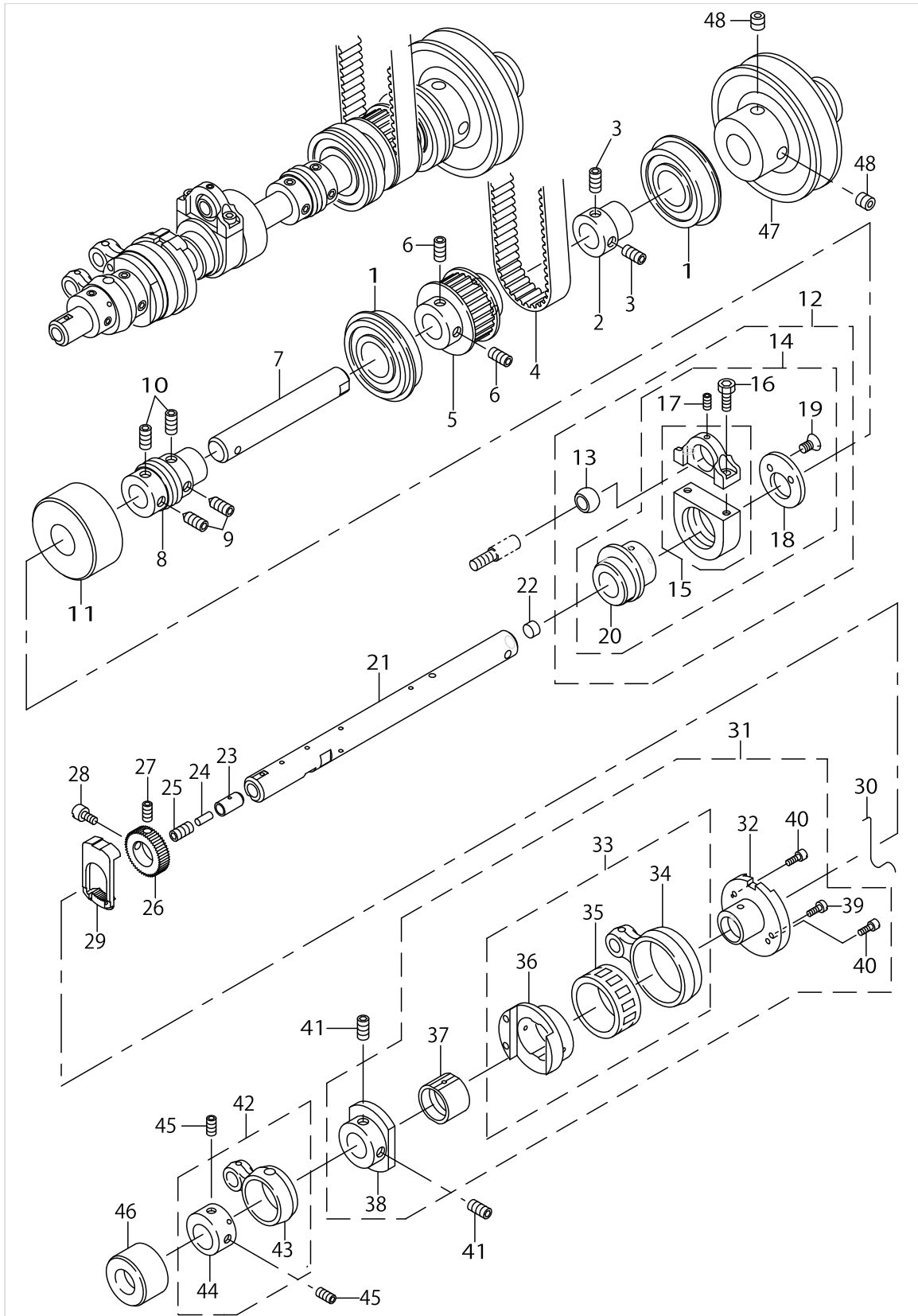
UPPER SHAFT COMPONENTS



UPPER SHAFT COMPONENTS

No.	Parts No.	Parts name	Remarks	Level	Cons	Qty
1	31110901	FLY WHEEL				1
2	31170905	SCREW (M6X1-8) 82				2
3	31109101	BOLL BEARING				2
4	31109408	BEARING HOLDER ASM.				1
5	31169907	SCREW (M6X1-8) T82				1
6	31170301	SCREW (M6X1-6) 82				1
7	31109705	TIMING PULLEY (UPPER)				1
8	31170301	SCREW (M6X1-6) 82				4
9	31111206	UPPER SHAFT (RIGHT)				1
10	31109507	UPPER SHAFT JOINT				1
11	31170301	SCREW (M6X1-6) 82				3
12	31169907	SCREW (M6X1-8) T82				1
13	31108806	UPPER SHAFT (LEFT)				1
14	31108905	UPPER SHAFT (LEFT) COLLAR				1
15	31180508	OIL WICK				1
16	31170202	SCREW (M6X1-4.8) 82				4
17	31109952	UPPER SHAFT SLEEVE ASM.				1
18	31170608	SCREW (M6X1-6) T82				1
19	31170202	SCREW (M6X1-4.8) 82				1
20	31111503	COUNTER WEIGHT				1
21	31161300	SCREW (M5X0.8-10) 60				2
22	31169709	SCREW (M8X1.25-8) 82				2
23	31167802	SCREW (M5X0.8-5) 41				1
24	31110703	OIL WICK				1
25	31110604	NEEDLE ROD RING				1
26	31111354	NEEDLE ROD ASM.				1
27	31110109	NEEDLE ROD		*		1
28	31110307	NEEDLE BEARING		*		1
29	31110505	PLUG		*		1
30	31110406	FELT		*		1
31	31111404	NEEDLE ROD PIN		*		1
32	31110802	BALANCE WEIGHT				1
33	31161409	SCREW (M4X0.7-8) 60				2

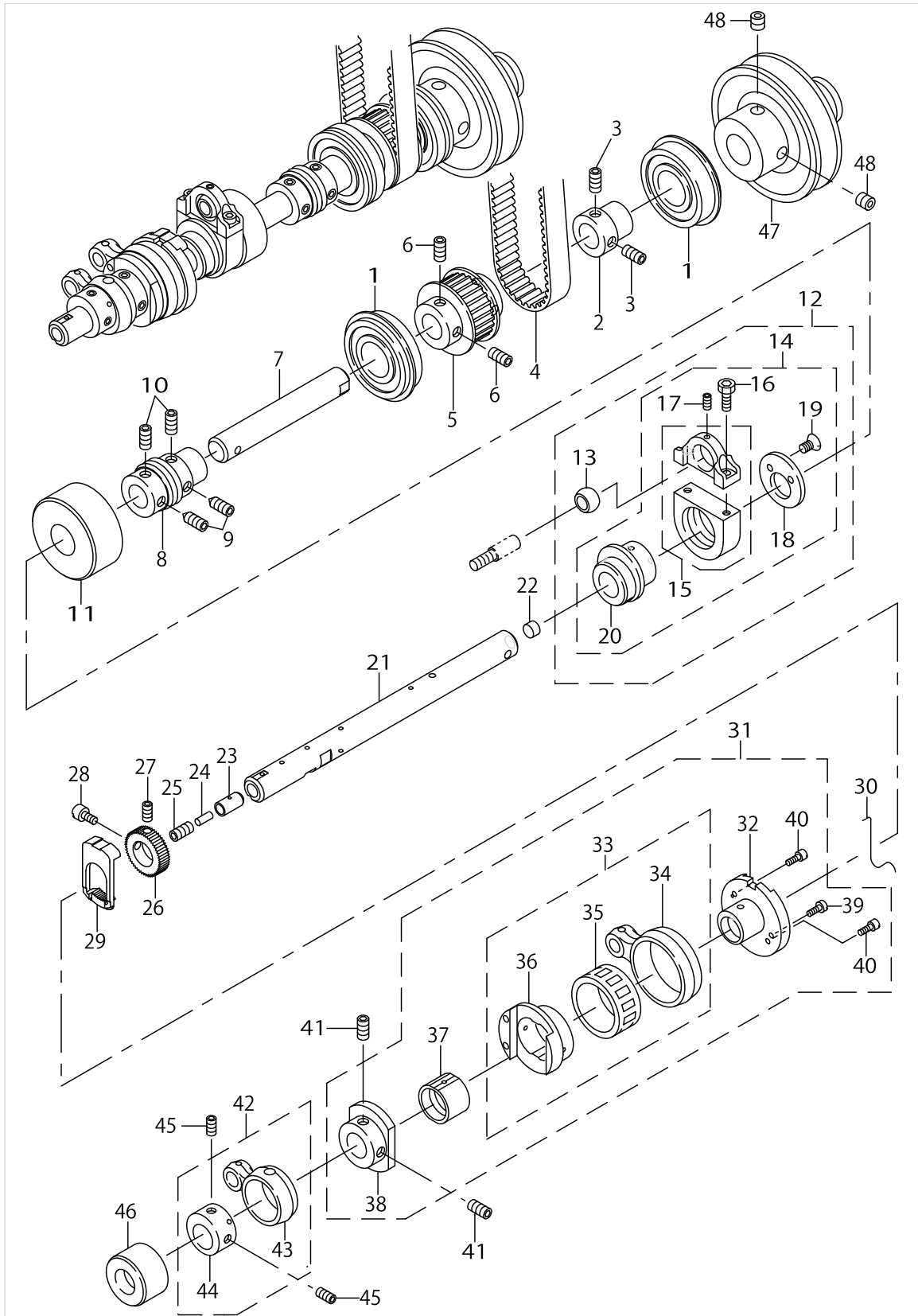
LOWER SHAFT COMPONENTS



LOWER SHAFT COMPONENTS

No.	Parts No.	Parts name	Remarks	Level	Cons	Qty
1	31109002	FLANGE BEARING				2
2	31109408	BEARRING HOLDER (SHORT)				1
3	31170301	SCREW (M6X1-6) 82				2
4	31108004	TIMING BELT				1
5	31109804	TIMING PULLEY (LOWER)				1
6	31170301	SCREW (M6X1-6) 82				4
7	31111107	LOWER SHAFT (RIGHT)				1
8	31109606	OIL PUMP DRIVING WORM				1
9	31169907	SCREW (M6X1-8) T82				2
10	31170301	SCREW (M6X1-6) 82				2
11	31108509	LOWER SHAFT BUSHING (RIGHT)				1
12	31128069	SPREADER LOT ASM. 2				1
13	31128309	PLAIN BEARING		*		1
14	31128051	SPREADER LOT ASM. 1		*		1
15	31128002	SPREADER LOT		*		1
16	31164106	SCREW (M4X0.7-10) 62		*		2
17	31169501	SCREW (M3X0.5-3) 82		*		1
18	31128200	SPREADER LOT COVER		*		1
19	31169105	SCREW (M4X0.7-7.3) 10		*		2
20	31128101	SPREADER ECCENTRIC		*		1
21	31108202	LOWER SHAFT (LEFT)				1
22	31121205	PLUG				1
23	31108608	OIL PRESSURE REGULATING VALVE				1
24	31180706	FELT				1
25	31170202	SCREW (M6X1-4.8) 82				1
26	31124209	FEED DOG REGULATING GEAR				1
27	31170004	SCREW (M5X0.8-5) 82				1
28	31160104	SCREW (M5X0.8-8) 60				1
29	31122104	FEED DOG REGULATING PLATE				1
30	31123706	REGULATING PLATE SPRING				1
31	31122260	FEED DOG REGULATOR ASM.				1
32	31122500	FEED DOG REGULATING ECCENTRIC		*		1
33	31122252	FEED DRIVE ECCENTRIC ASM.		*		1
34	31122203	FEED DRIVE ROD		*		1
35	31122401	NEEDLE BEARING		*		1
36	31122302	FEED DRIVE ECCENTRIC		*		1
37	31122609	ECCENTRIC LINK		*		1
38	31122708	FEED DOG REGULATOR		*		1
39	31160500	SCREW (M3X0.5-6.3) 60		*		1
40	31160005	SCREW (M3X0.5-4) 60		*		2
41	31170301	SCREW (M6X1-6) 82				2
42	31124357	FEED LIFT ROD ASM.				1
43	31124308	FEED LIFT ROD		*		1
44	31124407	FEED LIFT ROD ECCENTRIC		*		1
45	31170004	SCREW (M5X0.8-5) 82				2
46	31108400	LOWER SHAFTBUSHING (LEFT)				1
47	31111008	PULLEY				1

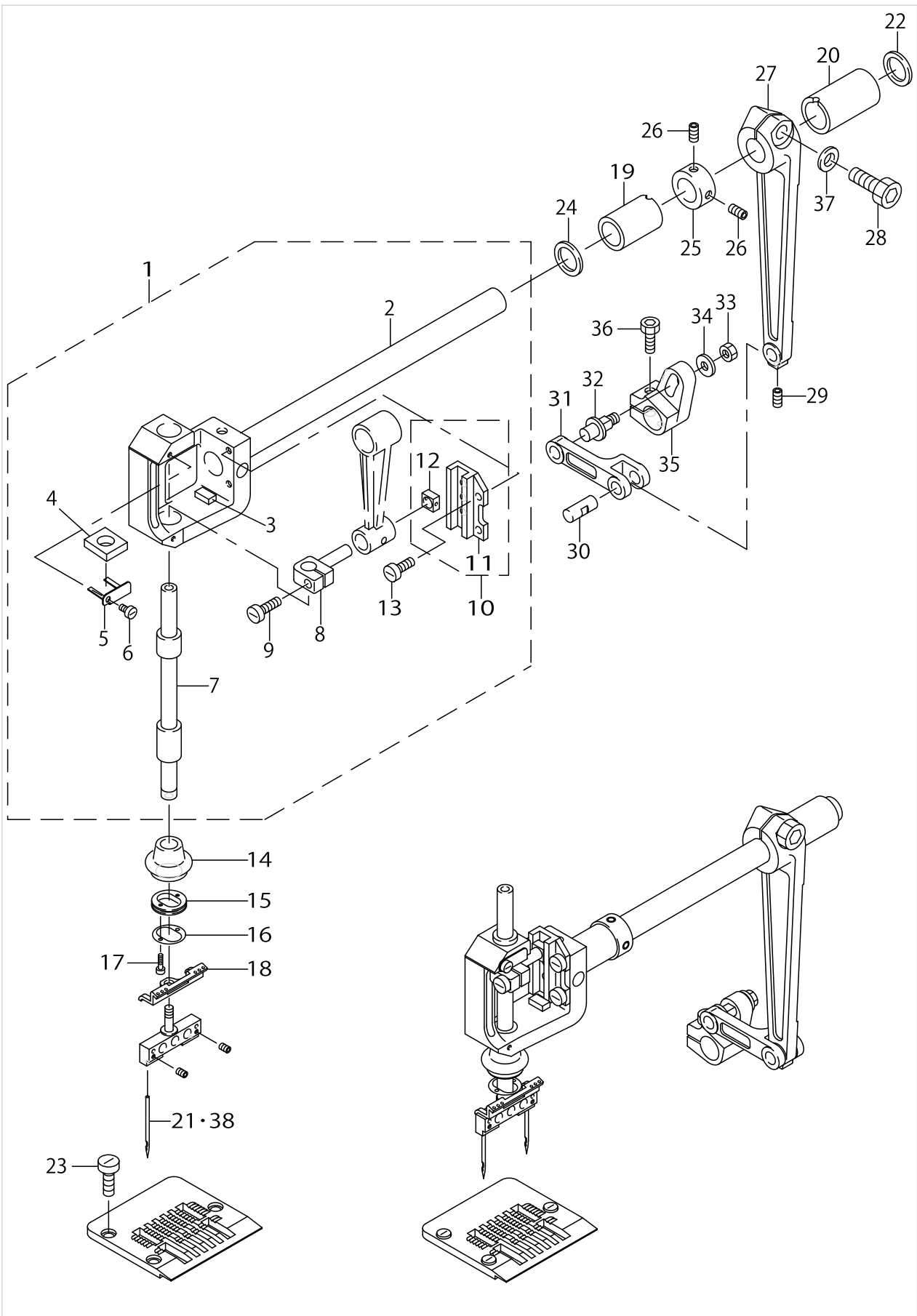
LOWER SHAFT COMPONENTS



LOWER SHAFT COMPONENTS

No.	Parts No.	Parts name	Remarks	Level	Cons	Qty
48	31170301	SCREW (M6X1-6) 82				2

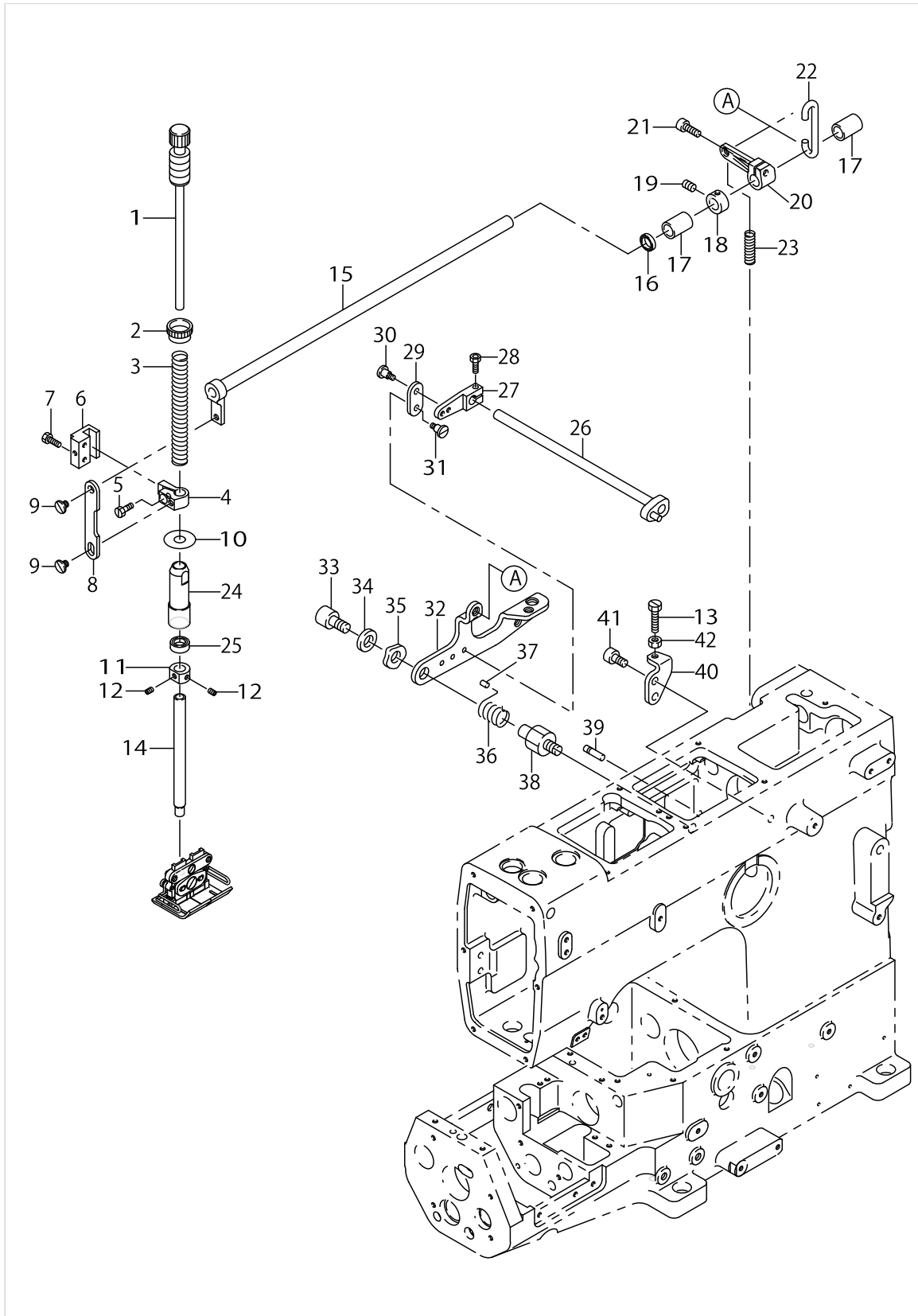
NEEDLE ROD COMPONENTS



NEEDLE ROD COMPONENTS

No.	Parts No.	Parts name	Remarks	Level	Cons	Qty
1	31114069	NEEDLE BAR YOKE ASM. 3				1
2	31114051	NEEDLE BAR YOKE ASM. 1		*		1
3	31115207	SPONGE		*		1
4	31114903	FELT		*		1
5	31115009	FELT CLAMP		*		1
6	31161102	SCREW (M3X0.5-2.6) 60		*		1
7	31114358	NEEDLE BAR BUSHING ASM.		*		1
8	31114804	NEEDLE BAR BRACKET		*		1
9	31164700	SCREW (M5X0.8-18) 60		*		1
10	31114655	NEEDLE BAR GUIDE ASM.		*		1
11	31114606	NEEDLE BAR GUIDE		*		1
12	31114705	NEEDLE GUIDE BLOCK		*		1
13	31160609	SCREW (M4X0.7-10) 60		*		2
14	31112808	OIL SHIELD COVER				1
15	31112907	OIL SHIELD COVER SUPPORT				1
16	31113004	SPACER				1
17	31164502	SCREW (M2X0.4-8)				2
18	31112709	NEEDLE CLAMP THREAD WAY				1
19	31113301	BUSHING				1
20	31113806	BUSHING (RIGHT)				1
21	MDV570B2100	NEEDLE DVX57 #21	FOR 2-NEEDLE			2
22	31113905	OIL SEAL				1
23	31162308	SCREW (M5X0.8-7) 60				3
24	31113103	THRUST WASHER				1
25	31113202	COLLAR				1
26	31170004	SCREW (M5X0.8-5) 82				2
27	31113400	DRIVING LEVER (UPPER)				1
28	31163405	SCREW (M8X1.25-20) 62				1
29	31169501	SCREW (M4X0.7-4) 82				1
30	31115108	LINK PIN				1
31	31113608	NEEDLE ROCKER LINK				1
32	31113707	NEEDLE ROCKER LEVER PIN				1
33	31171200	NUT				1
34	31173701	WASHER				1
35	31113509	NEEDLE ROCKER LEVER				1
36	31163900	SCREW (M6X1-15) 62				1
37	31173008	WASHER				1
38	MDV570B2100	NEEDLE DVX57 #21	FOR 4-NEEDLE			4

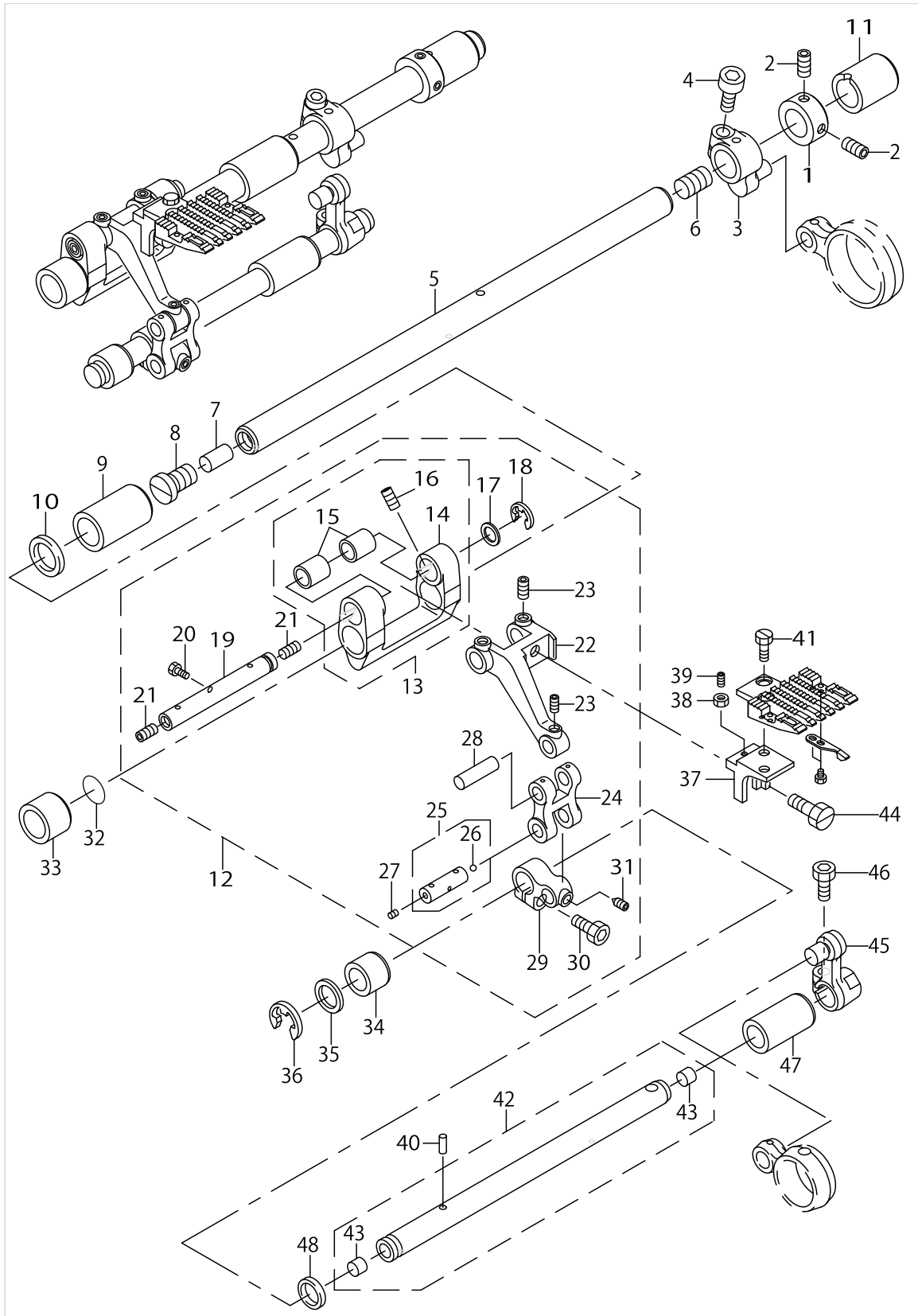
PRESSER FOOT COMPONENTS



PRESSER FOOT COMPONENTS

No.	Parts No.	Parts name	Remarks	Level	Cons	Qty
1	31118458	PRESSER SPRING REGULATOR ASM.				1
2	31118607	LOCK NUT				1
3	31117401	PRESSER BAR SPRING (OUTER)				1
4	31117104	PRESSER BAR HOLDER				1
5	31160906	SCREW (M4X0.7-10) 60				1
6	31118300	PRESSER BAR GUIDE				1
7	31167703	SCREW (M4X0.7-10) 40				2
8	31117302	LINK				1
9	31166309	SCREW (M5X0.8X6.35) D60				2
10	31118201	OIL PROTECTOR RING				1
11	31117807	LOOPER DRIVE SHAFT COLLAR				1
12	31169600	SCREW (M4X0.7-4) 82				2
13	31164700	SCREW (M5X0.8-18) 60				1
14	31117203	PRESSRE BAR				1
15	31119050	LIFTER SHAFT ASM.				1
16	31179104	OIL SEAL				1
17	31119506	LIFTER SHAFT BUSHING				2
18	31117906	LEVER SHAFT COLLAR				1
19	31169600	SCREW (M4X0.7-4) 82				2
20	31119407	LIFTER SHAFT LEVER				1
21	31162803	SCREW (M5X0.8-14) 62				1
22	31119308	LIFTER SHAFT LEVER LINK				1
23	31117609	UPPER KNIFE HOLDER SPRING				1
24	31117005	PRESSER BAR BUSHING				1
25	31179500	LOOPER SHAFT OIL SEAL				1
26	31131352	THREAD RELEASE SHAFT ASM.				1
27	31132004	THREAD RELEASE LEVER				1
28	31165004	SCREW (M4X0.7-14) 62				1
29	31118805	CONNECTION PLATE				1
30	31166705	SCREW (M4X0.7-4) D60				1
31	31166408	SCREW (M4X0.7-5) D60				1
32	31119605	PRESSER LIFTER LEVER				1
33	31163702	SCREW (M6X1-10) 62				1
34	31173800	WASHER				1
35	31174303	WAVE WASHER				1
36	31117708	PRESSER LIFTER LEVER SPRING				1
37	31118904	CAP				1
38	31118003	FITTING BASE				1
39	31118102	SPRING HANGING PIN				1
40	31119209	PRESSER LIFTER STOPPER				1
41	31163504	SCREW (M6X1-12) 62				2
42	31171705	NUT				1

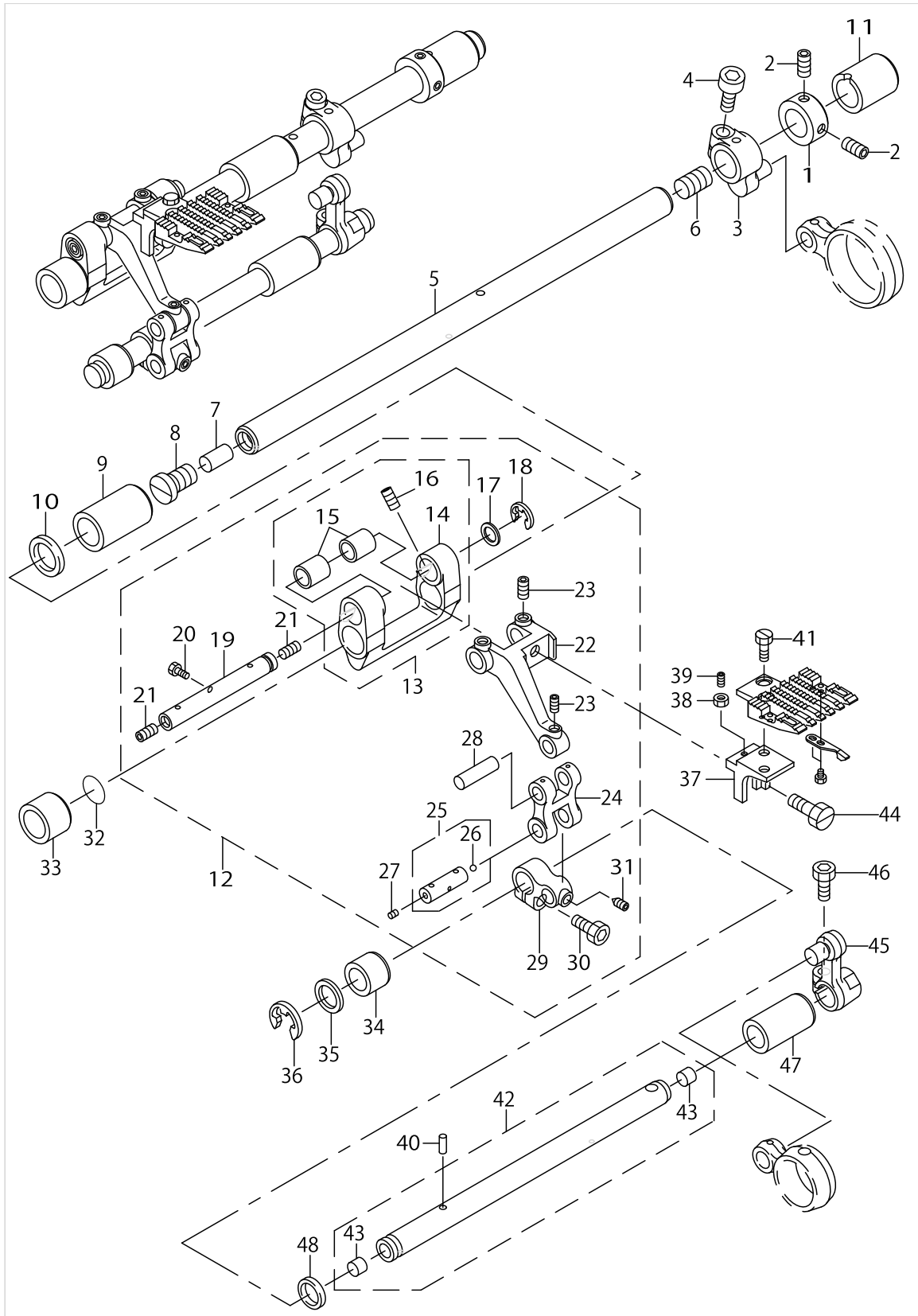
FEED MECHANISM COMPONENTS



FEED MECHANISM COMPONENTS

No.	Parts No.	Parts name	Remarks	Level	Cons	Qty
1	31124506	FEED DRIVING SHAFT COLLAR				1
2	31170004	SCREW (M5X0.8-5) 82				2
3	31122005	FEED DRIVING LEVER				1
4	31163900	SCREW (M6X1-18) 62				1
5	31121908	FEED DRIVING SHAFT				1
6	31169808	SCREW (M10X1.5-10) 82				1
7	31180409	OIL WICK				1
8	31124605	SCREW (M10X1.5-4) 60				1
9	31121700	DRIVING SHAFT BUSHING (CENTER)				1
10	31178700	OIL SEAL				1
11	31121809	RIVING SHAFT BUSHING (RIGHT)				1
12	31122963	FEED BASE ASM.				1
13	31122955	FEED BASE ASM.1		*		1
14	31122906	FEED BASE		*		1
15	31123300	FEED BASE BUSHING		*		2
16	31170301	SCREW (M6X1-6) 82		*		2
17	31123805	THRUST WASHER		*		1
18	31175409	E RING		*		1
19	31123052	FEED BASE SHAFT		*		1
20	31161102	SCREW (M3X0.5-2.6) 60		*		1
21	31170301	SCREW (M6X1-6) 82		*		2
22	31123607	FEED FITTING BASE (LOWER)		*		1
23	31170004	SCREW (M5X0.8-5) 82		*		3
24	31123508	FEED LIFT LINK		*		1
25	31123151	LINK PIN		*		1
26	31123201	SPHERE		*		1
27	31169501	SCREW (M3X0.5-3) 82		*		1
28	31123904	UPPER KNIFE ROD PIN		*		1
29	31123409	FEED LIFT SHAFT LEVER (LEFT)		*		1
30	31163504	SCREW (M6X1-1.5) 62		*		1
31	31170509	SCREW (M6X1-12) 82		*		1
32	31181308	UPPER SHAFT PACKING				1
33	31121403	FEED DRIVING SHAFT BUSHING				1
34	31124001	FEED LIFT SHAFT BUSHING (LIFT)				1
35	31121304	THRUST WASHER				1
36	31175300	E RING				1
37	31121502	FEED FITTING BASE				1
38	31171507	NUT				1
39	31169402	SCREW (M3X0.5-10) 82				1
40	31180300	OIL WICK				1
41	31162308	SCREW (M5X0.8-7) 60				2
42	31121155	FEED LIFT SHAFT ASM.				1
43	31121205	PLUG		*		2
44	31162605	SCREW (M6X0.75-9) 60				1
45	31121007	FEED LIFT DRIVING LEVER				1
46	31163504	SCREW (M6X1-15) 62				1
47	31124100	FEED LIFT SHAFT BUSHING (RIGHT)				1

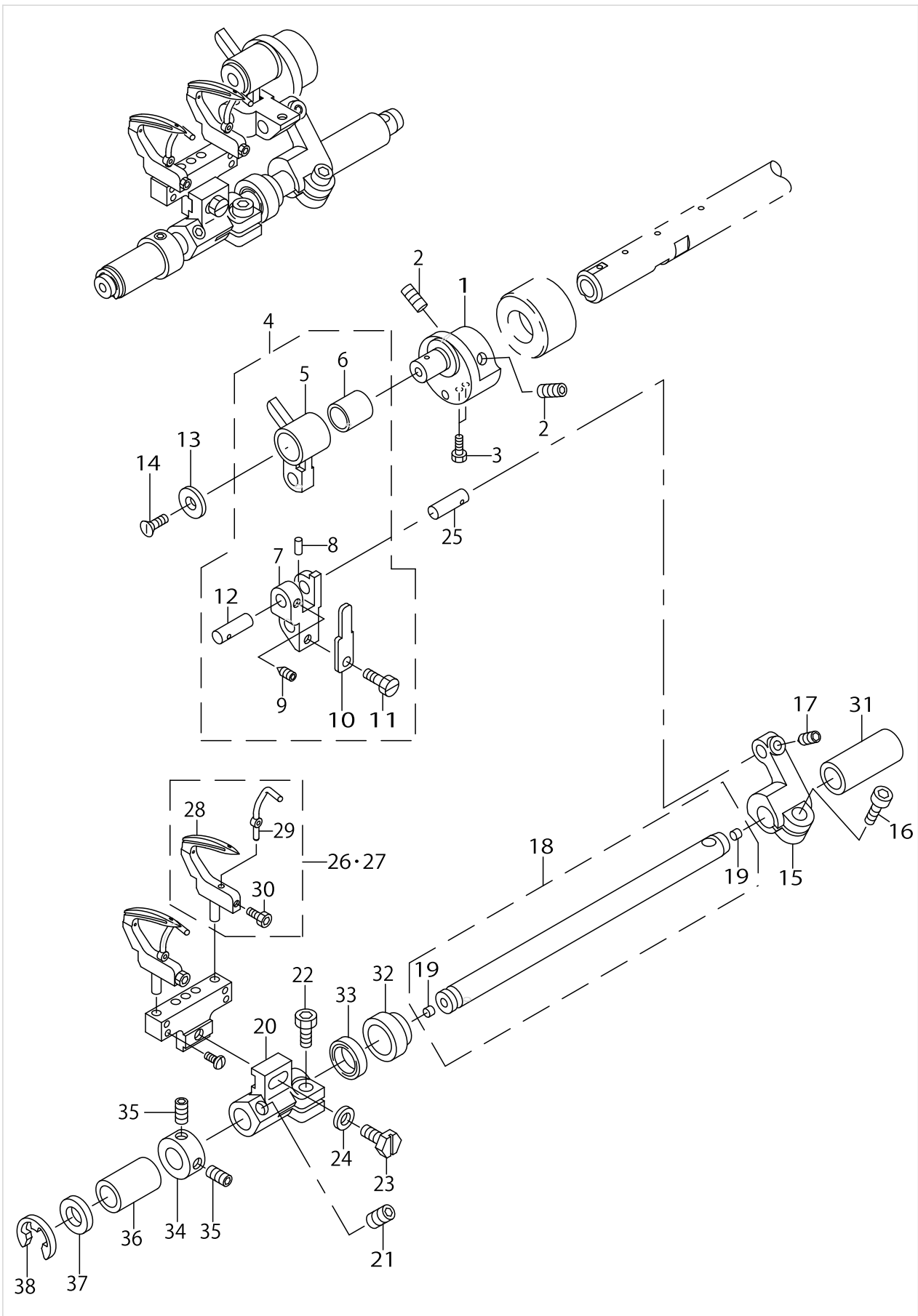
FEED MECHANISM COMPONENTS



FEED MECHANISM COMPONENTS

No.	Parts No.	Parts name	Remarks	Level	Cons	Qty
48	31178908	OIL SEAL				1

LOOPER COMPONENTS



LOOPER COMPONENTS

No.	Parts No.	Parts name	Remarks	Level	Cons	Qty
1	31126907	LOOPER ECCENTRIC				1
2	31170004	SCREW (M5X0.8-5) 82				2
3	31162506	SCREW (M3X0.5-8.2) 60				2
4	31127152	LOOPER ROD ASM.				1
5	31127103	LOOPER ROD		*		1
6	31127509	LOOPER ECCENTRIC BUSHING		*		1
7	31127202	LOOPER LINK		*		1
8	31180607	OIL WICK		*		1
9	31170400	SCREW (M4X0.7-8) T82		*		1
10	31127301	LOOPER ROD HOLD SPRING		*		1
11	31160807	SCREW (M4X0.7-8) 60		*		1
12	31127400	PIN		*		1
13	31127004	LOOPER ROD COVER				1
14	31169006	SCREW (M3X0.5-6) 10				1
15	31126709	LOOPER BASE LEVER				1
16	31163900	SCREW (M6X1-15) 62				1
17	31170103	SCREW (M4X0.7-5) 82				1
18	31127756	LOOPER BASE SHAFT				1
19	31127806	PLUG		*		2
20	31127608	LOOPER BASE (LOWER)				1
21	31170301	SCREW (M6X1-6) 82				1
22	31163504	SCREW (M6X1-12) 62				1
23	31168800	SCREW (M5X0.8-12) 90				1
24	31175201	WASHER				1
25	31127400	PIN				1
26	31154651	LOOPER NEEDLE HOLDER ASM.	FOR 4-NEEDLE			4
27	31154651	LOOPER NEEDLE HOLDER ASM.	FOR 2-NEEDLE			2
28	31154602	LOOPER		*		1
29	31154503	NEEDLE HOLDER (REAR)		*		1
30	31164601	SCREW (M3X0.5-5) 62		*		1
31	31129406	LOOPER BASE SHAFT BUSHING				1
32	31129307	LOOPER BASE BUSHING (CENTER)				1
33	31178809	OIL SEAL				1
34	31129604	UPPER KNIFE SHAFT COLLAR				1
35	31170004	SCREW (M5X0.8-5) 82				2
36	31129208	LOOPER BASE SHAFT BUSHING				1
37	31172901	THRUST WASHER				1
38	31175409	E RING				1

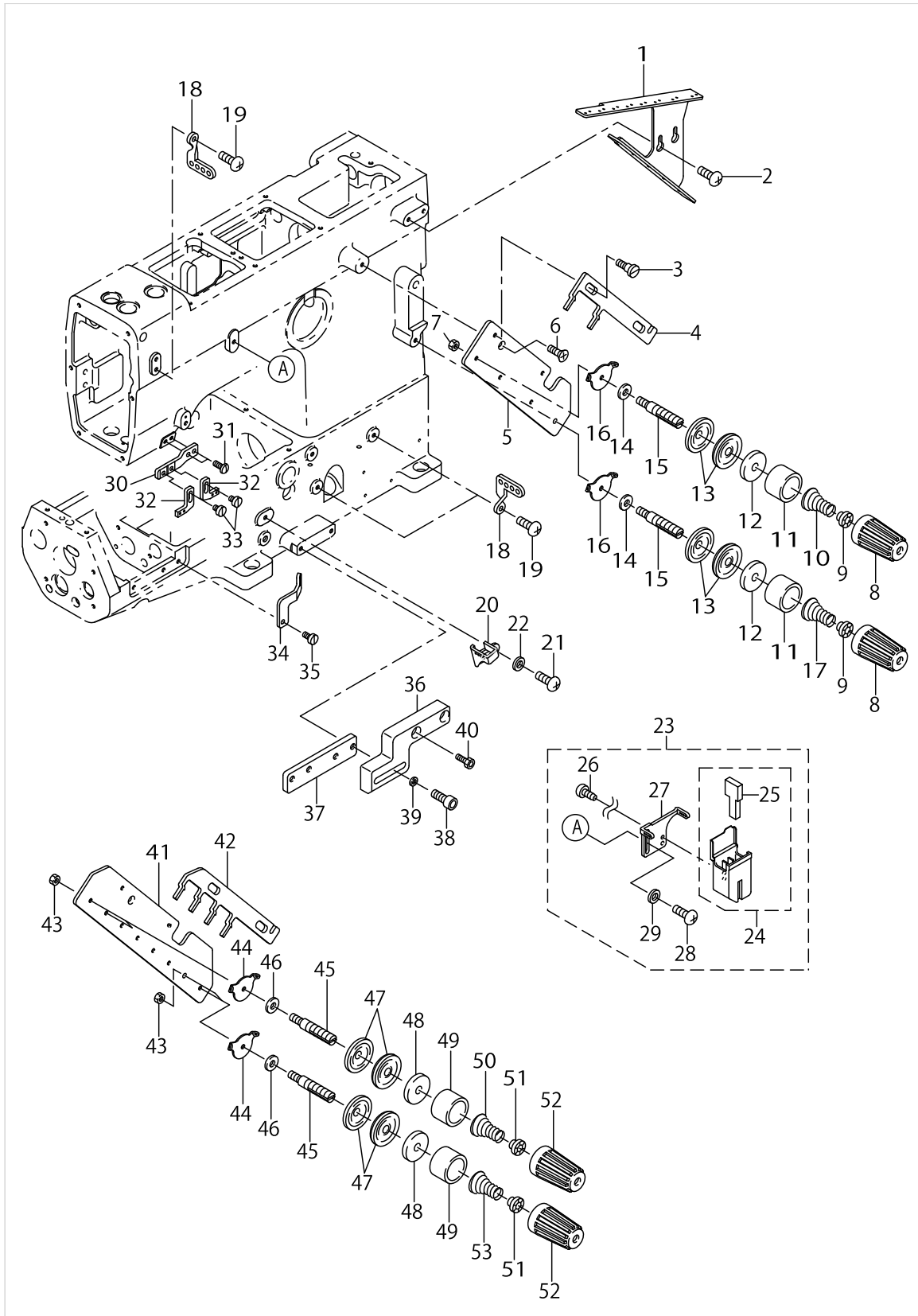
SPREADER COMPONENTS

No.	Parts No.	Parts name	Remarks	Level	Cons	Qty
1	31179005	OIL SEAL				1
2	31175607	C RING				1
3	31121304	THRUST WASHER				1
4	31129505	NEEDLE ROD CRANK SHAFT COLLAR				1
5	31170004	SCREW (M4X0.7-4) 82				2
6	31129703	SPREADER DRIVING SHAFT				1
7	31128705	PIN SCREW				1
8	31171200	NUT				1
9	31128903	SPREADER CROSSWISE SHAKE LEVER				1
10	31170004	SCREW (M4X0.7-4) 82				2
11	31128507	SPREADER SHAFT BUSHING (FRONT)				1
12	31179609	OIL SEAL				1
13	31161409	SCREW (M4X0.7-8) 40				1
14	31126402	LOOPER BALANCE				1
15	31129000	CROSSWISE SHAFT LEVER PIN				1
16	31128804	SPREADER CROSSWISE SHAFT LEVER				1
17	31168701	SCREW (M4X0.7-8) 90				1
18	31169600	SCREW (M4X0.7-4) 82				2
19	31128408	SPREADER SHAFT BUSHING (RIAR)				1
20	31127905	SPREADER CROSSWISE SHAFT				1
21	31128606	CROSSWISE SHAFT BUSHING				2
22	31129109	SPREADER BASE				1
23	31170004	SCREW (M4X0.7-4) 82				2

THREAD TENSION COMPONENTS

No.	Parts No.	Parts name	Remarks	Level	Cons	Qty
1	31131204	THREAD GUIDE PLATE				1
2	31168404	SCREW (M4X0.7-8) 45				2
3	31166606	STEP SCREW (M4X0.7-2.1) D60				2
4	31131006	THREAD RELEASE PLATE	FOR 2-NEEDLE			1
5	31131105	THREAD TENSION BASE	FOR 2-NEEDLE			1
6	31169204	SCREW (M4X0.7-10) 10				1
7	31171606	NUT	FOR 2-NEEDLE			3
8	30382907	THREAD TENSION PICK-UP	FOR 2-NEEDLE			4
9	31132400	THREAD TENSION SPRING BUSHING	FOR 2-NEEDLE			4
10	31132103	THREAD TENSION SPRING	FOR 2-NEEDLE			2
11	30362909	THREAD TENSION SPRING SHIELD	FOR 2-NEEDLE			4
12	31131907	FELT	FOR 2-NEEDLE			4
13	31132301	THREAD TENSION DISK	FOR 2-NEEDLE			8
14	31173404	WASHER	FOR 2-NEEDLE			4
15	31132202	THREAD TENSION ROD	FOR 2-NEEDLE			4
16	31132509	THREAD TENSION BASE THREAD WAY	FOR 2-NEEDLE			4
17	31132608	LOOPER THREAD TENSION SPRING	FOR 2-NEEDLE			2
18	31104805	LOOPER THREAD WAY (RIGHT)				3
19	31168404	SCREW (M4X0.7-8) 45				3
20	31126303	LOOPER THREAD WAY (RIGHT)				1
21	31161409	SCREW (M4X0.7-8) 45				1
22	31173602	WASHER				1
23	31103161	SILICON DIVICE ASM.				1
24	31103153	SILICON TANK ASM.		*		1
25	31103500	SILICON FALT		*		1
26	31170806	SCREW (3X6)		*		2
27	31103203	NEEDLE THREAD WAY		*		1
28	31161409	SCREW (M4X0.7-8) 40		*		1
29	31173602	WASHER		*		1
30	31112600	BALANCE FITTING PLATE				1
31	31160609	SCREW (M4X0.7-10) 40				2
32	31112501	NEEDLE THREAD BALANCE				2
33	31161706	SCREW (M4X0.7-5.4) 60				2
34	31126204	LOOPER THREAD WAY (CENTER)				1
35	31160807	SCREW (M4X0.7-8) 60				1
36	31140007	RULER FITTING BASE 1				1
37	31140106	RULER FITTING BASE 2				1
38	31163306	SCREW (M6X1-15) 62				2
39	31174006	WASHER				2
40	31163306	SCREW (M6X1-15) 62				2
41	31131709	THREAD TENSION BASE	FOR 4-NEEDLE			1
42	31131600	THREAD RELEASE PLATE	FOR 4-NEEDLE			1
43	31171606	NUT	FOR 4-NEEDLE			7
44	31132509	THREAD TENSION BASE THREAD WAY	FOR 4-NEEDLE			8
45	31132202	THREAD TENSION ROD	FOR 4-NEEDLE			8
46	31173404	WASHER	FOR 4-NEEDLE			8
47	31132301	THREAD TENSION DISK	FOR 4-NEEDLE			16

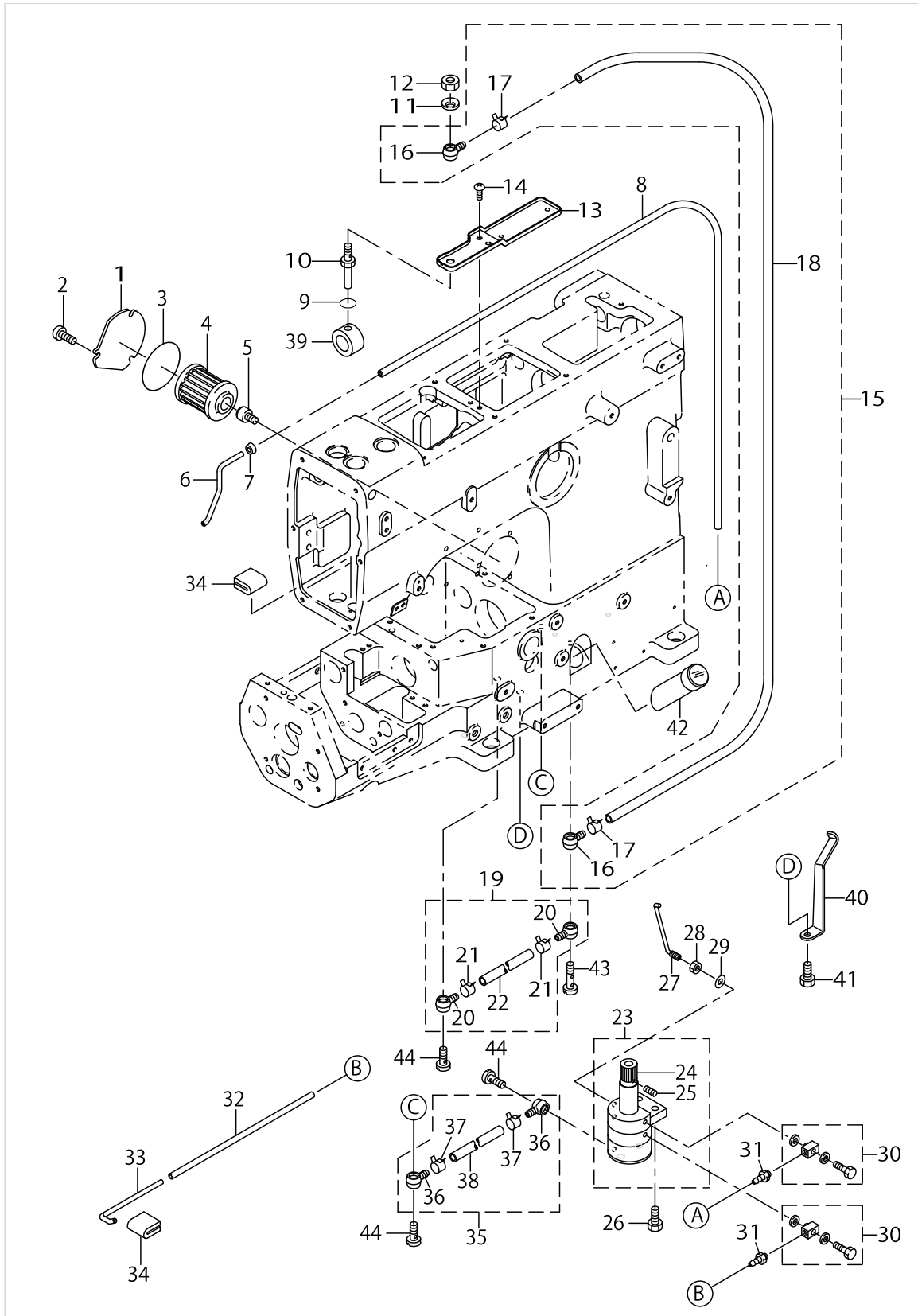
THREAD TENSION COMPONENTS



THREAD TENSION COMPONENTS

No.	Parts No.	Parts name	Remarks	Level	Cons	Qty
48	31131907	FELT	FOR 4-NEEDLE			8
49	30362909	THREAD TENSION SPRING SHIELD	FOR 4-NEEDLE			8
50	31132103	THREAD TENSION SPRING	FOR 4-NEEDLE			4
51	31132400	THREAD TENSION SPRING BUSHING	FOR 4-NEEDLE			8
52	30382907	THREAD TENSION PICK-UP	FOR 4-NEEDLE			8
53	31132608	LOOPER THREAD TENSION SPRING	FOR 4-NEEDLE			4

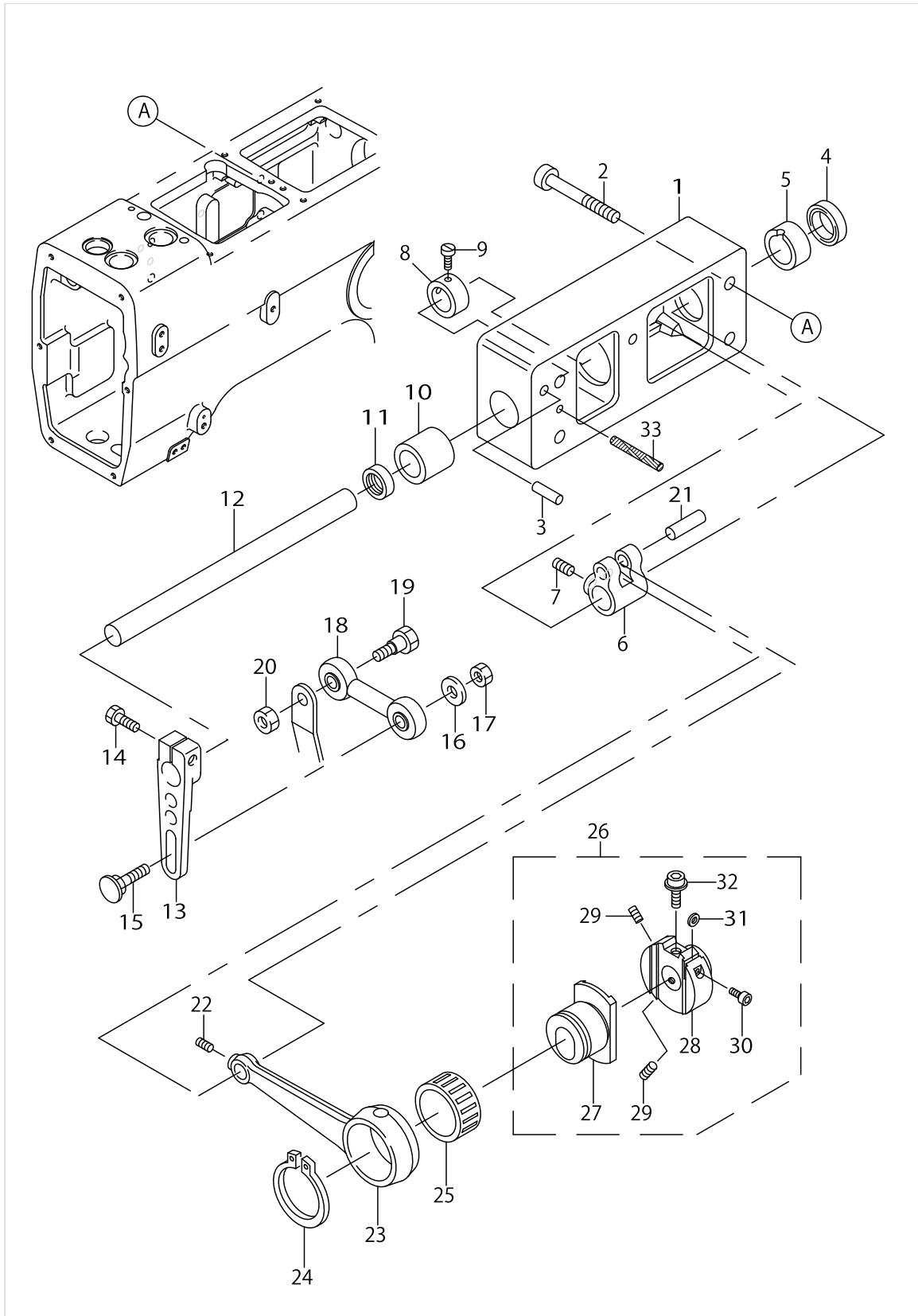
LUBRICATION MECHANISM COMPONENTS



LUBRICATION MECHANISM COMPONENTS

No.	Parts No.	Parts name	Remarks	Level	Cons	Qty
1	31104904	OIL FILTER COVER				1
2	31168404	SCREW (M4X0.7-8) 45				3
3	31181407	FILTER CAP O RING				1
4	11843208	CARTRIDGE FILTER				1
5	31135502	FILTER JOINT				1
6	31135700	SUCTION PIPE				1
7	31135106	SUCTION PIPE BUSHING				1
8	31134703	OIL PIPE				1
9	31181100	PACKING				1
10	31134208	OIL TUBE				1
11	31174204	SPRING WASHER				1
12	31171804	NUT				1
13	31134000	OIL RESERVOIR				1
14	31168503	SCREW (M4X0.7-5) 45				2
15	31134455	OIL PIPE ASM.				1
16	31135601	OIL TUBE JOINT, ONE WAY		*		2
17	31136104	OIL TUBE CLAMP		*		2
18	31134406	OIL PIPE		*		1
19	31134554	OIL PIPE ASM.				1
20	31135601	OIL TUBE JOINT, ONE WAY		*		2
21	31136104	OIL TUBE CLAMP		*		2
22	31134505	OIL PIPE		*		1
23	31136252	OIL PUMP ASM. 1				1
24	31136302	OIL PUMP DRIVING WORM GEAR		*		1
25	31169600	SCREW (M4X0.7-4) 82		*		2
26	31163900	SCREW (M6X1-15) 62				2
27	31135205	OIL PIPE				1
28	31172505	NUT				1
29	31174907	WASHER				1
30	31135908	UNIVERSAL ELBOW				2
31	31136005	BAMBOO JOINT				2
32	31134604	OIL PIPE				1
33	31134802	SUCTION PIPE				1
34	31137409	FELT				2
35	31134356	OIL PIPE ASM.				1
36	31135601	OIL TUBE JOINT, ONE WAY		*		2
37	31136104	OIL TUBE CLAMP		*		2
38	31134307	OIL PIPE		*		1
39	31134109	OIL SLEEVE				1
40	31137300	OIL PIPE SUPPORT				1
41	31168503	SCREW (M4X0.7-8) 45				1
42	31103609	OIL GAUGE				1
43	31135007	FITTING STUD (LONG)				1
44	31134901	FITTING STUD				3

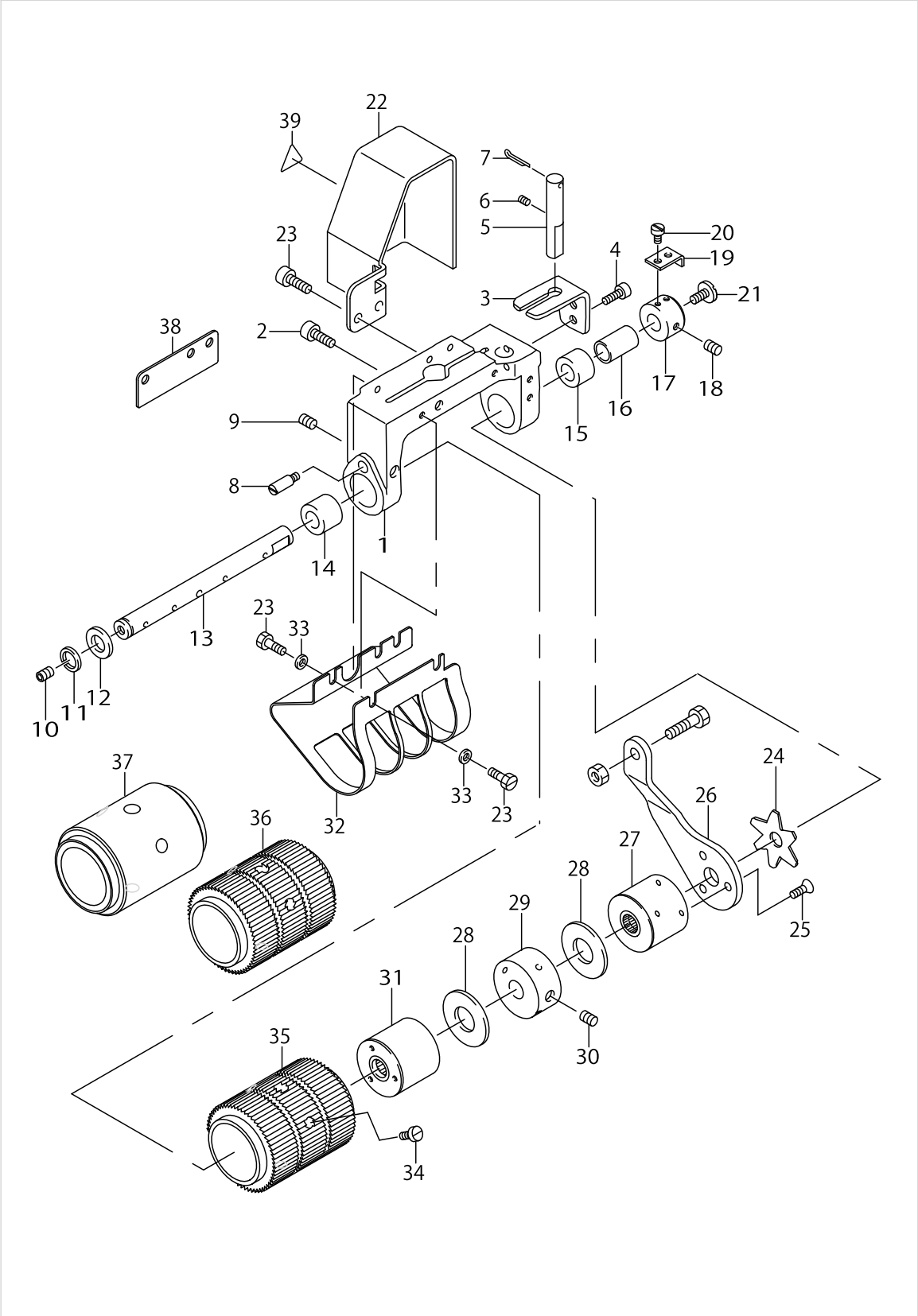
CLOTH PULLER EXCLUSIVE PARTS (1)



CLOTH PULLER EXCLUSIVE PARTS (1)

No.	Parts No.	Parts name	Remarks	Level	Cons	Qty
1	MAV07211000	UPPER ROLLER SHAFT BRACKET				1
2	31164205	SCREW (M6X1-18) 62				4
3	31103906	NKNOCK PIN				2
4	31179005	OIL SEAL				1
5	MAV07209000	UPPER ROLLER SHAFT BUSHING				1
6	MAV07205000	UPPER FEED ROLLER SHAFT LEVER				1
7	31170301	SCREW (M6X1-6) 82				2
8	MAV07208000	UPPER FEED ROLLER SHAFT COLLAR				1
9	31162209	SCREW (11/64X40-5.5) 60				2
10	MAV07210000	UPPER ROLLER SHAFT BUSHING				1
11	31179708	OIL SEAL				1
12	MAV07207000	UPPER FEED ROLLER SHAFT				1
13	MAV07212000	UPPER FEED ROLLER LEVER				1
14	31163801	SCREW (M6X1-20) 62				1
15	MAV07213000	UPPER FEED ROLLER LEVER PIN				1
16	31173404	WASHER				1
17	31171903	NUT				1
18	MAV07214000	PULLER LINK				1
19	31166101	SCREW (1/4X40-11) 93				1
20	31171903	NUT				1
21	MAV07206000	ROD PIN				1
22	31169600	SCREW (M4X0.7-4) 82				1
23	MAV07203000	UPPER FEED ROLLER DRIVING ROD				1
24	31175805	C RING				1
25	MAV07204000	ROLLER BEARING				1
26	MAV072010A0	UPPER ROLLER REGULATOR ASM.				1
27	MAV07202000	UPPER FEED ECCENTRIC		*		1
28	MAV07201000	UPPER FEED ROLLER REGULATOR		*		1
29	31170004	SCREW (M5X0.8-5) 82		*		2
30	31163603	SCREW (M4X0.7-8) 62		*		1
31	31174709	SPACER		*		1
32	MAV07215000	ADJUSTING SCREW		*		1
33	31180805	OIL WICK				1

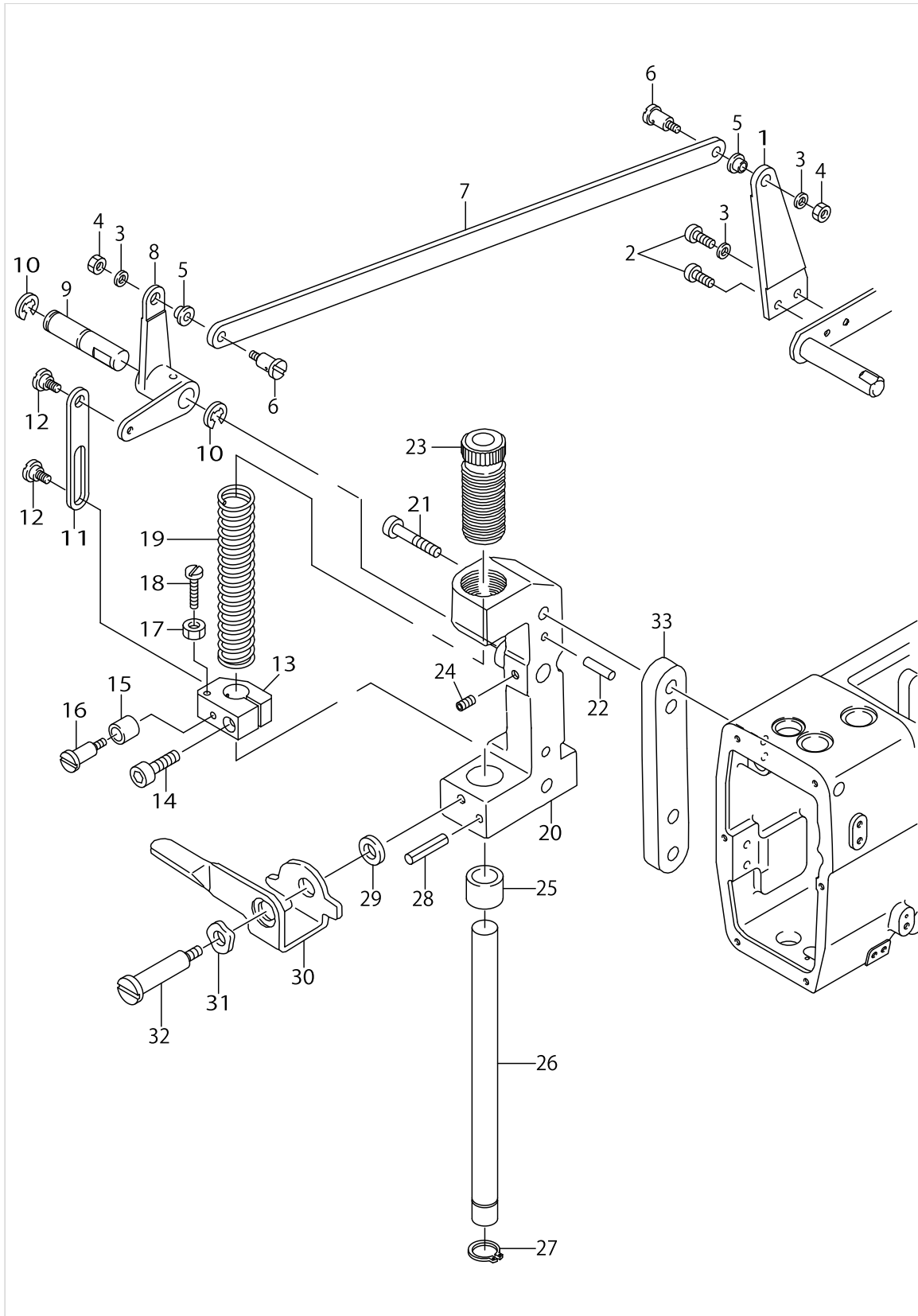
CLOTH PULLER EXCLUSIVE PARTS (2)



CLOTH PULLER EXCLUSIVE PARTS (2)

No.	Parts No.	Parts name	Remarks	Level	Cons	Qty
1	MAV07218000	UPPER FEED ROLLER YOKE				1
2	31163801	SCRWE (M6X1-20) 62				1
3	MAV07223000	UPPER FEED ROLLER YOKE GUIDE				1
4	31163603	SCREW (M4X0.7-8) 62				2
5	MAV07224000	UPPER FEED ROLLER YOKE PIN				1
6	31170301	SCREW (M6X1-6) 82				1
7	MAV07225000	IRON WIRE				1
8	31166200	SCREW (M4X0.7-6) 60				1
9	31169600	SCREW (M4X0.7-4) 82				1
10	31170004	SCREW (M5X0.8-5) 82				1
11	31175706	RETAINING RING				1
12	MAV07228000	THRUST WASHER				1
13	MAV07226000	CLUTCH DRIVING SHAFT				1
14	MAV07227000	CLUTCH DRIVING SHAFT BUSHING				1
15	MAV07222000	CLUTCH DRIVING SHAFT BUSHING				1
16	MAV07221000	CLUTCH TENSION SLEEVE				1
17	MAV07219000	ADJUSTING COLLAR				1
18	31170004	SCREW (M5X0.8-5) 82				2
19	MAV07220000	ADJUSTING SCREW STAY				1
20	31161607	SCREW (M3X0.5-5) 60				2
21	31160302	SCREW (M5X0.8-12) 60				1
22	MAV07239000	CLUTCH PLATE COVER				1
23	31160807	SCREW (M4X0.7-8) 60				5
24	MAV07217000	CLUTCH TENSION SPRING				1
25	31169105	SCREW (M4X0.7-7.3) 10				3
26	MAV07216000	CLUTCH PLATE (RIGHT)				1
27	MAV072290A0	CLUTCH SLEEVE ASM. (RIGHT)				1
28	MAV07232000	THRUST PLATE				2
29	MAV07233000	CLUTCH SPACER				1
30	31169907	SCREW (M6X1-8) T82				1
31	MAV072340A0	CLUTCH SLEEVE ASM. (LEFT)				1
32	MAV07238000	UPPER FEED ROLLER COVER				1
33	31173602	WASHER				2
34	31161201	SCREW (M3X0.8-10) 40				3
35	MAV07235000	UPPER FEED ROLLER	STANDARD (PLASTIC)			1
36	MAV07236000	UPPER FEED ROLLER	OPTIONAL PARTS (IRON)			1
37	MAV07237000	UPPER FEED ROLLER	OPTIONAL PARTS			1
38	MAV07240000	UPPER FEED ROLLER COVER	OPTIONAL PARTS			1
39	CM300200001	ATTENTION SEAL				1

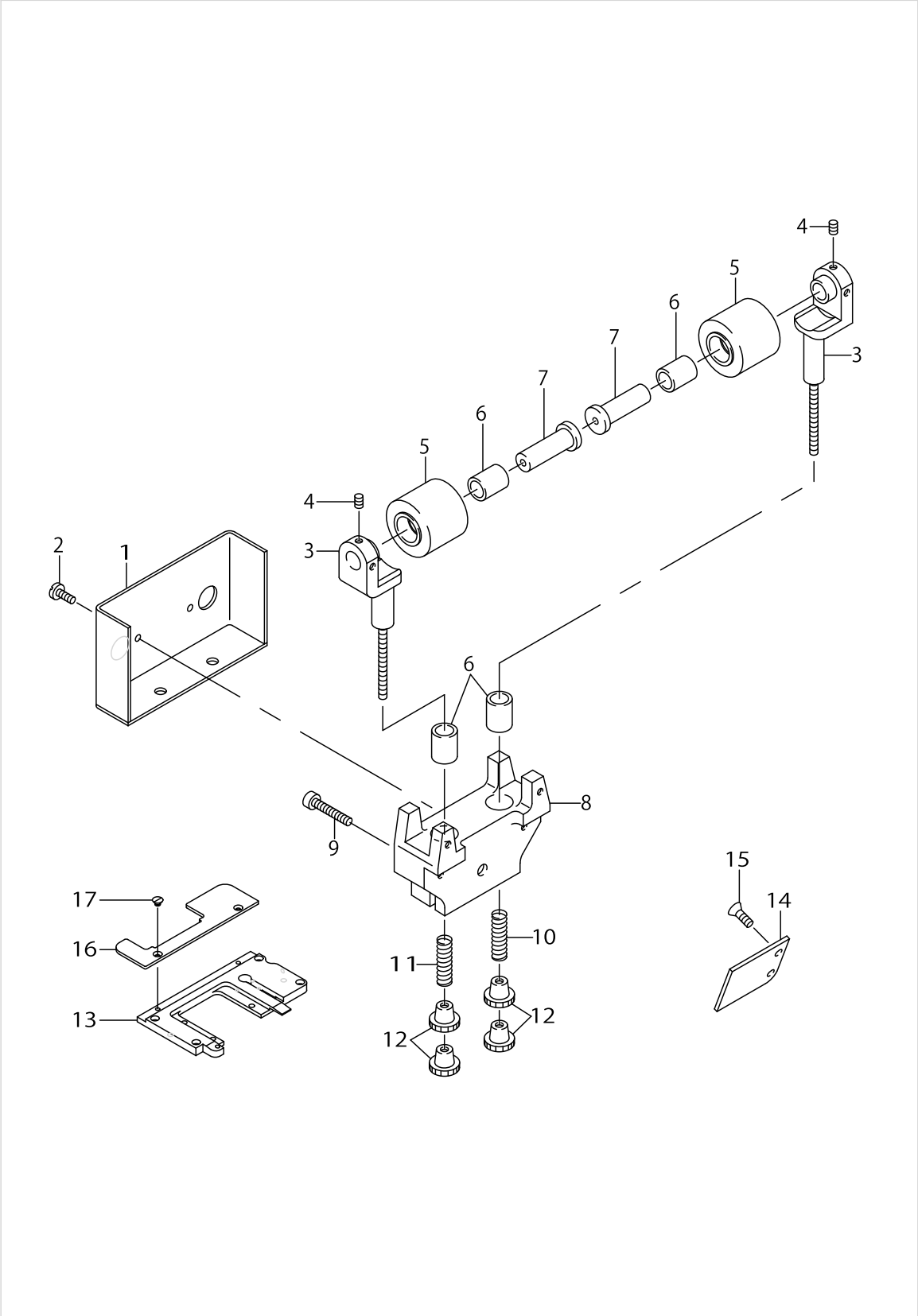
CLOTH PULLER EXCLUSIVE PARTS (3)



CLOTH PULLER EXCLUSIVE PARTS (3)

No.	Parts No.	Parts name	Remarks	Level	Cons	Qty
1	MAV07254000	UPPER ROLLER LIFTER (RIGHT)				1
2	31165400	SCREW (M4X0.7-10) 40				2
3	31173602	WASHER				3
4	31172000	NUT				2
5	MAV07255000	FIEXIBLE WIRE CLAMP BUSHING				2
6	31167000	STEP-SCREW (11/64X40-6) D60				2
7	MAV07253000	LIFTER CONNECTING PLATE				1
8	MAV07251000	UPPER FEED ROLLER LIFTER (LEFT				1
9	MAV07252000	UPPER FEED ROLLER LIFTER PIN				1
10	31175409	E RING				2
11	MAV07250000	LIFTING CONNECTING PLATE				1
12	31166903	STEP-SCREW (3/16X32-2.2) D60				2
13	MAV07247000	ROLLER PRESS BAR BRACKET				1
14	31162803	SCREW (M5X0.8-14) 62				1
15	MAV07248000	LIFTING LEVER SLEEVE				1
16	31167109	STEP-SCREW (11/64X40-5.5) D60				1
17	31172109	NUT				1
18	31162100	SCREW (11/64X40-26) 60				1
19	MAV07246000	ROLLER PRESS SPRING				1
20	MAV07242000	UPPER FEED ROLLER BRACKET				1
21	31163207	SCREW (M6X1-40) 62				2
22	31103906	KNOCK PIN				2
23	MAV07244000	ROLLER PRESS BAR BUSHING,UPPER				1
24	31170301	SCREW (M6X1-6) 82				1
25	MAV07243000	ROLLER PRESS BAR BUSHING,LOWER				1
26	MAV07245000	UPPER FEED ROLLER PRESS BAR				1
27	31175607	C RING				1
28	31177405	SPRING PIN				1
29	31173404	WASHER				1
30	MAV07249000	UPPER ROLLER LIFTING LEVER				1
31	31174303	WAVE WASHER				1
32	31166804	STEP-SCREW (M6X1-9) D60				1
33	MAV07241000	SPACER				1

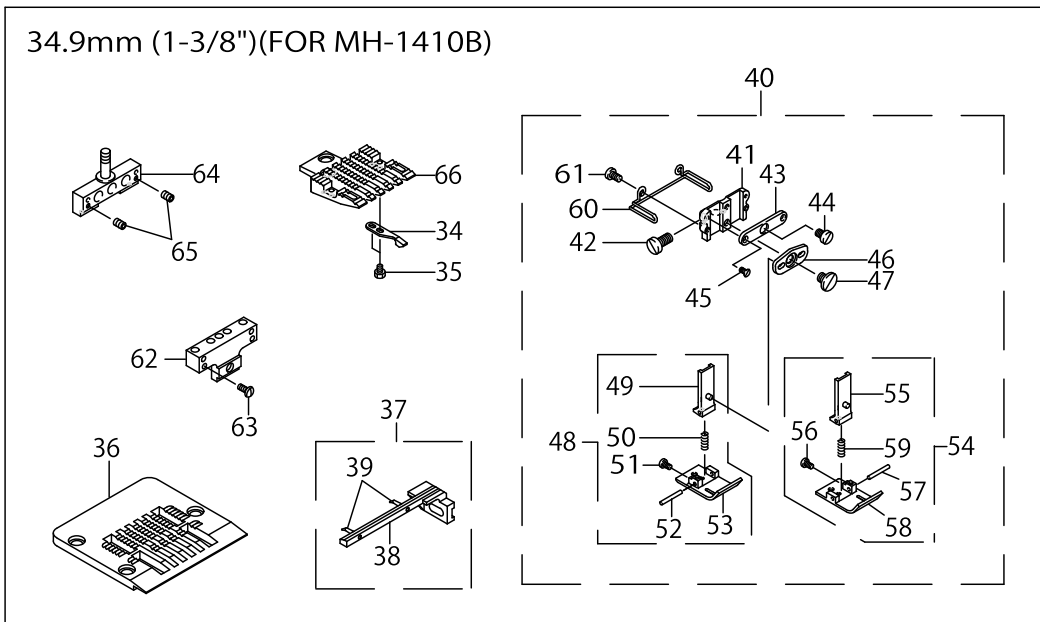
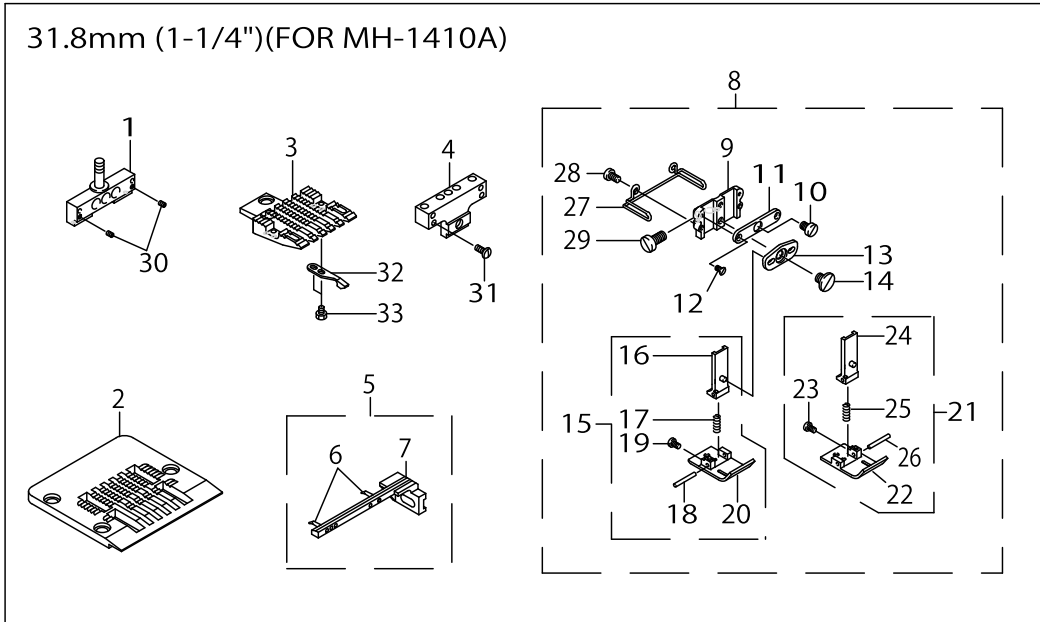
CLOTH PULLER EXCLUSIVE PARTS (4)



CLOTH PULLER EXCLUSIVE PARTS (4)

No.	Parts No.	Parts name	Remarks	Level	Cons	Qty
1	MAV07265000	LOWER FEED ROLLER COVER				1
2	31161904	SCREW (1/8X44-2.1) 40				2
3	MAV072590A0	LOWER ROLLER FITTING BASE ASM.				2
4	31169303	SCREW (M4X0.7-4) 82				4
5	MAV07256000	LOWER FEED ROLLER				2
6	MAV07257000	LOWER FEED ROLLER BUSHING				4
7	MAV07258000	LOWER FEED ROLLER PIN				2
8	MAV07264000	LOWER FEED ROLLER BRACKET				1
9	31163801	SCREW (M6X1-20) 62				2
10	MAV07262000	FITTING BASE SPRING (RIGHT)				1
11	MAV07261000	FITTING BASE SPRING (LEFT)				1
12	MAV07263000	ADJUSTING PICK-UP NUT				4
13	MAV07266000	THROAT PLATE FITTING BASE				1
14	MAV07267000	CYLINDER COVER (REAR)				1
15	31169006	SCREW (M3X0.5-6) 10				2
16	MAV07268000	CYLINDER COVER (UPPER)				1
17	MAV07269000	SCRWE (M4X0.7-6) 10				2

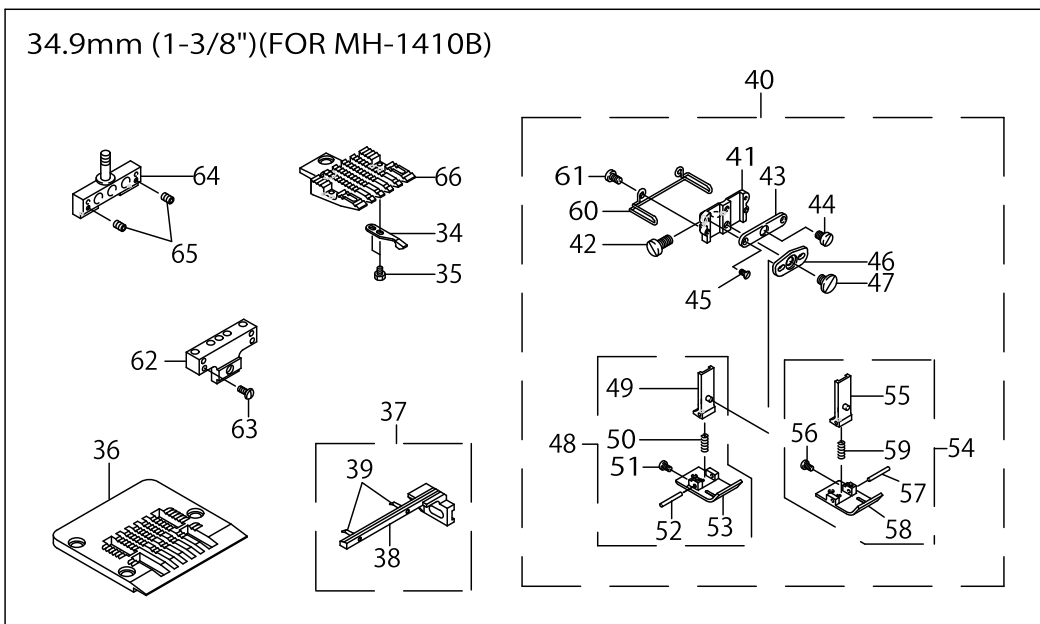
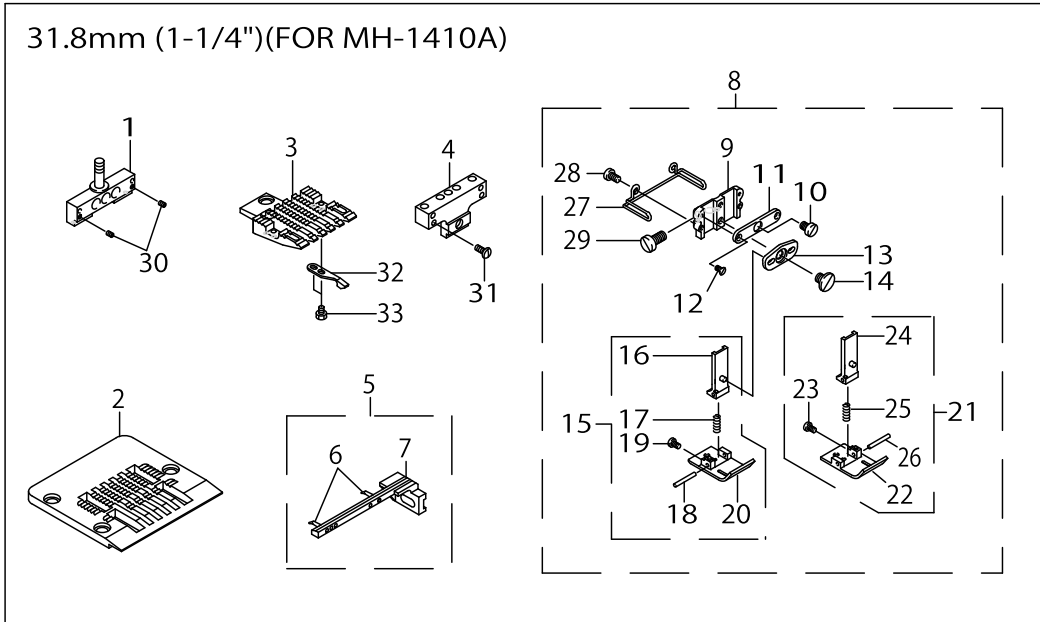
GAGE EXCLUSIVE PARTS (1)



GAGE EXCLUSIVE PARTS (1)

No.	Parts No.	Parts name	Remarks	Level	Cons	Qty
1	31146004	NEEDLE CLAMP 31.8MM				1
2	31145006	NEEDLE PLATE 31.8MM				1
3	31153109	FEED DOG 31.8MM				1
4	31154008	LOOPER HOLDER 31.8MM				1
5	31155054	SPREADER ASM. 31.8MM				1
6	31155104	SPREADER PIN		*		2
7	31155005	SPREADER 31.8MM		*		1
8	31147150	PRESSER FOOT ASM. 31.8MM				1
9	31151004	PRESSER FOOT (UPPER)		*		1
10	31161706	SCREW (M4X0.7-5.4) 60		*		1
11	31151301	PRESSER FOOT GUIDE PLATE		*		1
12	31168909	SCREW (M2.5X0.45-6) 10		*		2
13	31151400	PRESSER FOOT GUIDE PLATE,LOWER		*		1
14	31166002	STEP-SCREW (M5X0.8-4.5) D60		*		1
15	31148059	PRESSER FOOT ASM. (LEFT)31.8MM		*		1
16	31151152	PRESSER FOOT (LOWER) GUIDE		*		1
17	31151509	PRESSER FOOT (LOWER) SPRING		*		1
18	31177207	PRESSER FOOT (LOWER) GUIDE PIN		*		1
19	31160401	SCREW (M3X0.5-4.2) 60		*		1
20	31149602	PRESSER FOOT (LEFT) 31.8MM		*		1
21	31148851	PRESSER FOOT (RIGHT)ASM.31.8MM		*		1
22	31150402	PRESSER FOOT (RIGHT) 31.8MM		*		1
23	31160401	SCREW (M3X0.5-4.2) 60		*		1
24	31151152	PRESSER FOOT (LOWER) GUIDE		*		1
25	31151509	PRESSER FOOT (LOWER) SPRING		*		1
26	31177207	PRESSER FOOT (LOWER) GUIDE PIN		*		1
27	31151608	FINGER GUARD		*		1
28	31161508	SCREW (M3.5X0.6-6) 40		*		2
29	31161300	SCREW (M5X0.8-10) 40		*		1
30	31170707	SCREW (1/8X44-2.4) 80				2
31	31162407	SCRWE (M3X0.5-7) 40				4
32	31153505	NEEDLE HOLDER (FRONT)				2
33	31160203	SCREW (3/32X56-3.8) 60				4
34	31153505	NEEDLE HOLDER (FRONT)				2
35	31160203	SCREW (3/32X56-3.8) 60				4
36	31145105	NEEDLE PLATE 34.9MM				1
37	31155252	SPREADER ASM. 34.9MM				1
38	31155203	SPREADER 34.9MM		*		1
39	31155104	SPREADER PIN		*		2
40	31147051	PRESSER FOOT ASM. 34.9MM				1
41	31151004	PRESSER FOOT (UPPER)		*		1
42	31161300	SCREW (M5X0.8-10) 40		*		1
43	31151301	PRESSER FOOT GUIDE PLATE		*		1
44	31161706	SCREW (M4X0.7-5.4) 60		*		1
45	31168909	SCREW (M2.5X0.45-6) 10		*		2
46	31151400	PRESSER FOOT GUIDE PLATE,LOWER		*		1
47	31166002	STEP-SCREW (M5X0.8-4.5) D60		*		1

GAGE EXCLUSIVE PARTS (1)

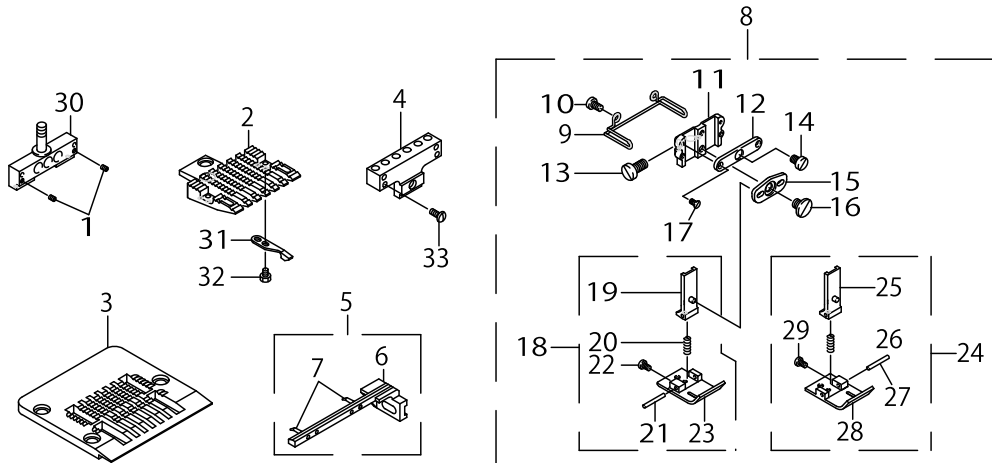


GAGE EXCLUSIVE PARTS (1)

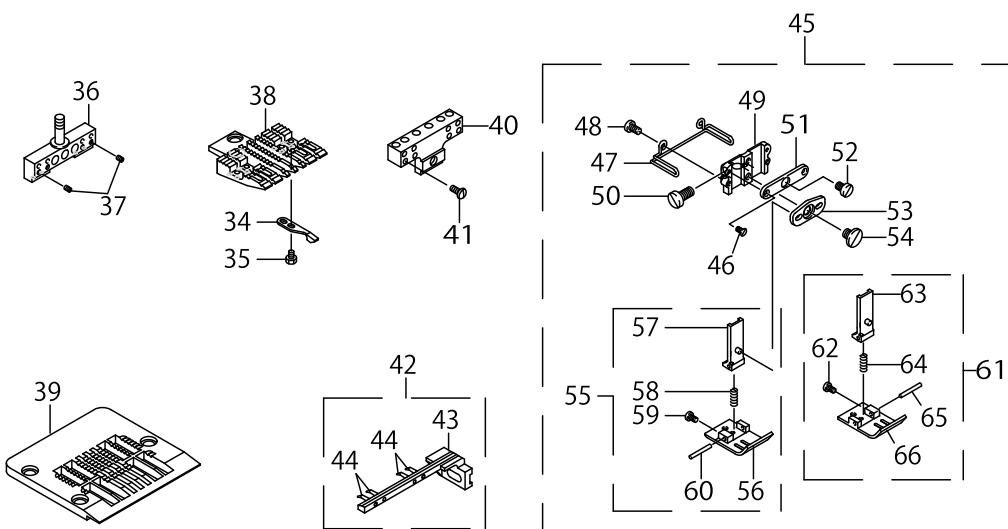
No.	Parts No.	Parts name	Remarks	Level	Cons	Qty
48	31147853	PRESSER FOOT ASM. (LEFT)34.9MM		*		1
49	31151152	PRESSER FOOT (LOWER) GUIDE		*		1
50	31151509	PRESSER FOOT (LOWER) SPRING		*		1
51	31160401	SCREW (M3X0.5-4.2) 60		*		1
52	31177207	PRESSER FOOT (LOWER) GUIDE PIN		*		1
53	31149404	PRESSER FOOT (LEFT) 34.9MM		*		1
54	31148653	PRESSER FOOT (RIGHT)ASM.34.9MM		*		1
55	31151152	PRESSER FOOT (LOWER) GUIDE		*		1
56	31160401	SCREW (M3X0.5-4.2) 60		*		1
57	31177207	PRESSER FOOT (LOWER) GUIDE PIN		*		1
58	31150204	PRESSER FOOT (RIGHT) 34.9MM		*		1
59	31151509	PRESSER FOOT (LOWER) SPRING		*		1
60	31151608	FINGER GUARD		*		1
61	31161508	SCREW (M3.5X0.6-6) 40		*		2
62	31154107	LOOPER HOLDER 34.9MM				1
63	31162407	SCREW (M3X0.5-7) 40				4
64	31146103	NEEDLE CLAMP 34.9MM				1
65	31170707	SCREW (1/8X44-2.4) 80				2
66	31153208	FEED DOG 34.9MM				1

GAGE EXCLUSIVE PARTS (2)

38.1mm (1-1/2")(FOR MH-1410C)



6.4-25.4-6.4mm (1/4"-1"-1/4")(FOR MH-1410D)

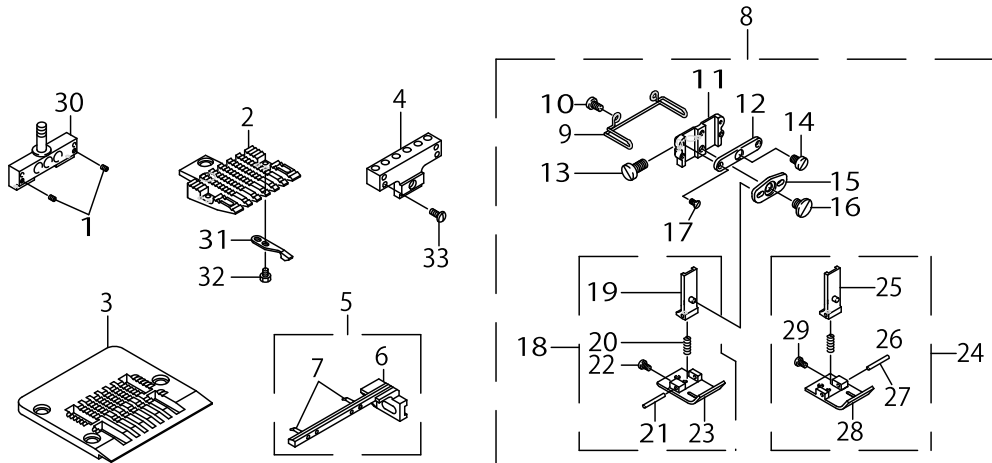


GAGE EXCLUSIVE PARTS (2)

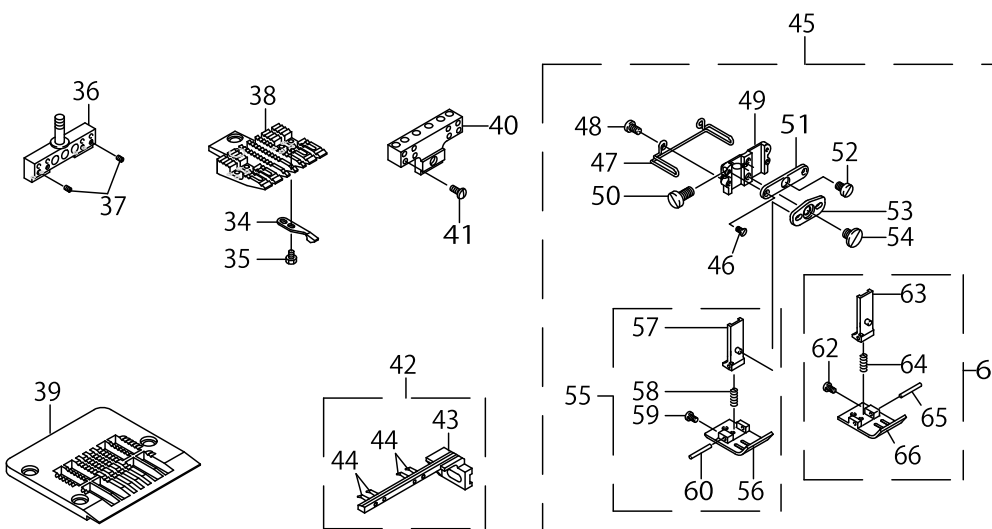
No.	Parts No.	Parts name	Remarks	Level	Cons	Qty
1	31170707	SCREW (1/8X44-2.4) 80				2
2	31153307	FEED DOG 38.1MM				1
3	31145204	NEEDLE PLATE 38.1MM				1
4	31154206	LOOPER HOLDER 38.1MM				1
5	31155351	SPREADER ASM. 38.1MM				1
6	31155302	SPREADER 38.1MM		*		1
7	31155104	SPREADER PIN		*		2
8	31147259	PRESSER FOOT ASM. 38.1MM				1
9	31151608	FINGER GUARD		*		1
10	31161508	SCREW (M3.5X0.6-6) 40		*		2
11	31151004	PRESSER FOOT (UPPER)		*		1
12	31151301	PRESSER FOOT GUIDE PLATE		*		1
13	31161300	SCREW (M5X0.8-10) 40		*		1
14	31161706	SCREW (M4X0.7-5.4) 60		*		1
15	31151400	PRESSER FOOT GUIDE PLATE,LOWER		*		1
16	31166002	STEP-SCREW (M5X0.8-4.5) D60		*		1
17	31168909	SCREW (M2.5X0.45-6) 10		*		2
18	31148158	PRESSER FOOT ASM. (LEFT)38.1MM		*		1
19	31151152	PRESSER FOOT (LOWER) GUIDE		*		1
20	31151509	PRESSER FOOT (LOWER) SPRING		*		1
21	31177207	PRESSER FOOT (LOWER) GUIDE PIN		*		1
22	31160401	SCREW (M3X0.5-4.2) 60		*		1
23	31149701	PRESSER FOOT (LEFT) 38.1MM		*		1
24	31148950	PRESSER FOOT (RIGHT)ASM.38.1MM		*		1
25	31151152	PRESSER FOOT (LOWER) GUIDE		*		1
26	31151509	PRESSER FOOT (LOWER) SPRING		*		1
27	31177207	PRESSER FOOT (LOWER) GUIDE PIN		*		1
28	31150501	PRESSER FOOT (RIGHT) 38.1MM		*		1
29	31160401	SCREW (M3X0.5-4.2) 60		*		1
30	31146202	NEEDLE CLAMP 38.1MM				1
31	31153505	NEEDLE HOLDER (FRONT)				2
32	31160203	SCREW (3/32X56-3.8) 60				4
33	31162407	SCREW (M3X0.5-7) 40				4
34	31153505	NEEDLE HOLDER (FRONT)				4
35	31160203	SCREW (3/32X56-3.8) 60				8
36	31146301	NEEDLE CLAMP 1/4-1-1/4				1
37	31170707	SCREW (1/8X44-2.4) 80				4
38	31153406	FEED DOG 1/4-1-1/4				1
39	31145303	NEEDLE PLATE 1/4-1-1/4				1
40	31154305	LOOPER BASE 1/4-1-1/4				1
41	31162407	SCREW (M3X0.5-7) 40				8
42	31155450	SPREADER ASM. 1/4-1-1/4				1
43	31155401	SPREADER 1/4-1-1/4		*		1
44	31155104	SPREADER PIN		*		4
45	31147358	PRESSER FOOT ASM. 1/4-1-1/4				1
46	31168909	SCREW (M2.5X0.45-6) 10		*		2
47	31151608	FINGER GUARD		*		1

GAGE EXCLUSIVE PARTS (2)

38.1mm (1-1/2") (FOR MH-1410C)



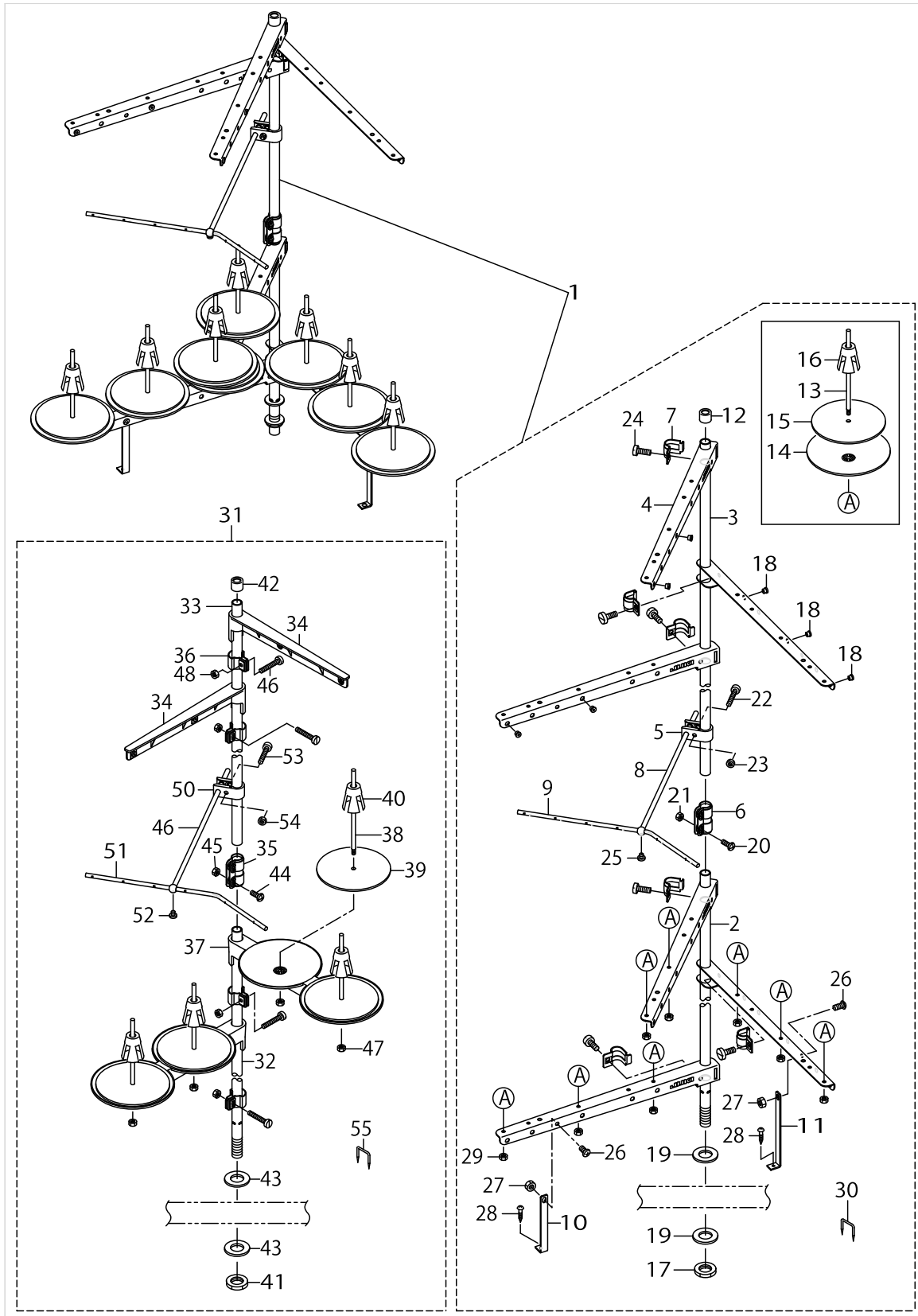
6.4-25.4-6.4mm (1/4"-1"-1/4") (FOR MH-1410D)



GAGE EXCLUSIVE PARTS (2)

No.	Parts No.	Parts name	Remarks	Level	Cons	Qty
48	31161508	SCREW (M3.5X0.6-6) 40		*		2
49	31151004	PRESSER FOOT (UPPER)		*		1
50	31161300	SCREW (M5X0.8-10) 40		*		1
51	31151301	PRESSER FOOT GUIDE PLATE		*		1
52	31161706	SCREW (M4X0.7-5.4) 60		*		1
53	31151400	PRESSER FOOT GUIDE PLATE,LOWER		*		1
54	31166002	STEP-SCREW (M5X0.8-4.5) D60		*		1
55	31147952	PRESSER FOOT ASM.(LEFT)		*		1
56	31149503	PRESSER FOOT (LEFT) 1/4-1-1/4		*		1
57	31151152	PRESSER FOOT (LOWER) GUIDE		*		1
58	31151509	PRESSER FOOT (LOWER) SPRING		*		1
59	31160401	SCREW (M3X0.5-4.2) 60		*		1
60	31177207	PRESSER FOOT (LOWER) GUIDE PIN		*		1
61	31148752	PRESSER FOOT (RIGHT) ASM.		*		1
62	31160401	SCREW (M3X0.5-4.2) 60		*		1
63	31151152	PRESSER FOOT (LOWER) GUIDE		*		1
64	31151509	PRESSER FOOT (LOWER) SPRING		*		1
65	31177207	PRESSER FOOT (LOWER) GUIDE PIN		*		1
66	31150303	PRESSER FOOT (RIGHT) ASM.		*		1

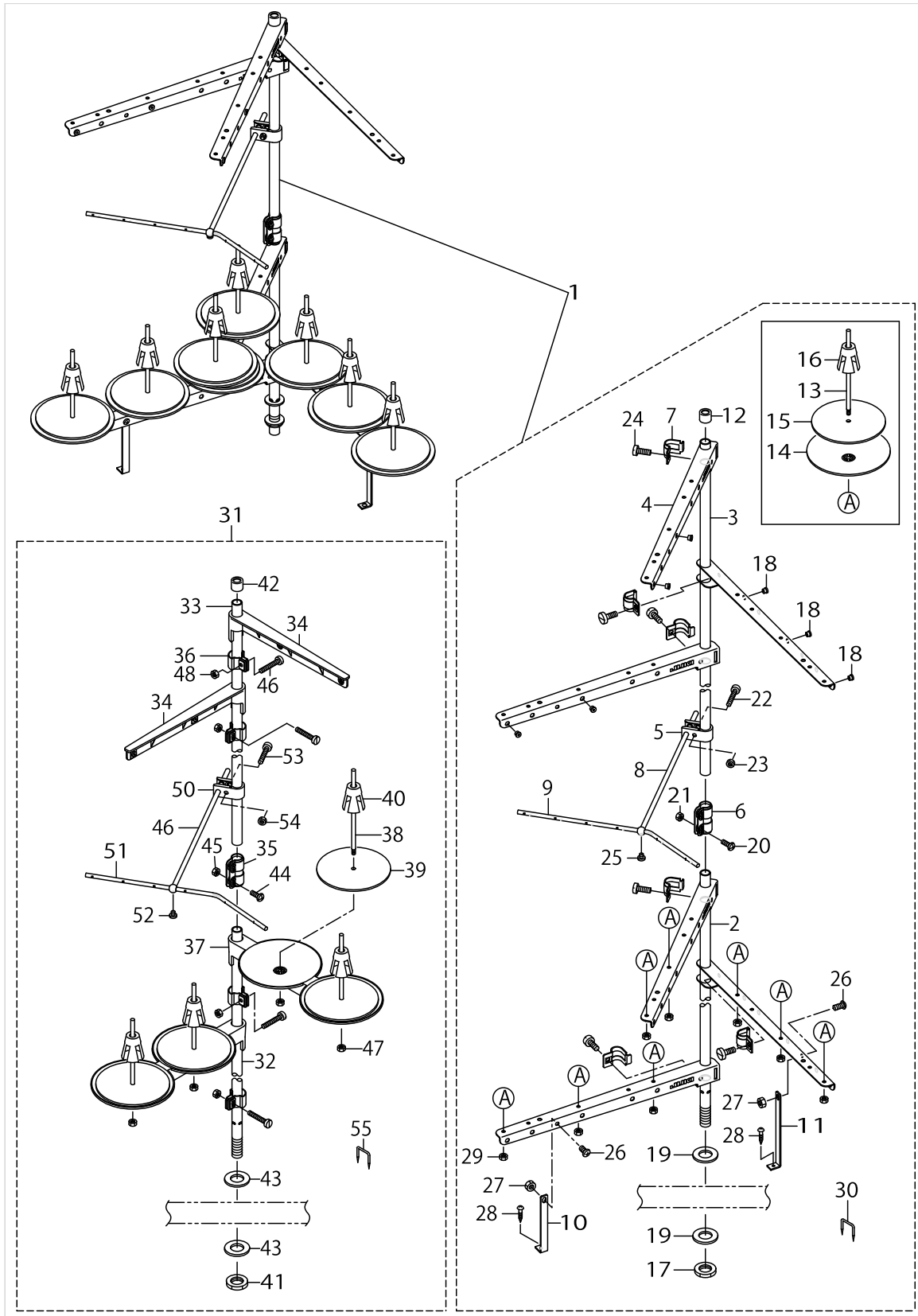
THREAD STAND COMPONENTS



THREAD STAND COMPONENTS

No.	Parts No.	Parts name	Remarks	Level	Cons	Qty
1	31138555	THREAD RAISING DEVICE ASM.	FOR 4-NEEDLE			1
2	11185105	SPOOL REST ROD,LOWER		*		1
3	11185204	SPOOL REST ROD,UPPER		*		1
4	11969508	SPOOL REST ARM A		*		6
5	B3304704000A	THREAD GUIDE ARM HOLDER		*		1
6	B3305704000A	SPOOL REST ROD JOINT		*		1
7	B3318704L00A	THREAD GUIDE ARM JOINT		*		6
8	B3309704000	THREAD GUIDE ARM		*		1
9	B3311843000	LOWER THREAD GUIDE		*		1
10	B3321704L00	SPOOL REST ARM SUPPORT, A		*		1
11	B3321704L0B	SPOOL REST ARM SUPPORT, B		*		1
12	B3311704000	SPOOL REST ROD CAP		*		1
13	B3320704L00A	SPOOL PIN		*		8
14	11966504	SPOOL REST		*		8
15	B3311012000	SPOOL REST CUSHION		*		8
16	11185501	SPOOL RETAINER		*		8
17	B3317704000	NUT		*		1
18	B3319704L00	THREAD WAY		*		8
19	WP1612616SE	WASHER 16X30X2.6		*		2
20	SM4051405SE	SCREW M5 L=14		*		2
21	NM6050001SE	NUT M5		*		2
22	SM6053000SE	SCREW M5X0.8 L=30		*		1
23	NM6050001SE	NUT M5		*		1
24	SM6061610SC	SCREW M6 L=15		*		6
25	SS7110540SP	SCREW 11/64-40 L=5		*		1
26	SM4061201SE	SCREW M6 L=12		*		2
27	NM6060001SE	NUT M6		*		2
28	SK3382001SE	SCREW D=3.8 L=20		*		2
29	NM6050001SE	NUT M5		*		8
30	MAO11532000	CORD STAPLE		*		3
31	11969458	THREAD RAISING DEVICE ASM.	FOR 2-NEEDLE			1
32	11185105	SPOOL REST ROD,LOWER		*		1
33	11185204	SPOOL REST ROD,UPPER		*		1
34	11185352	THREAD GUIDE ASM.		*		2
35	B3305704000A	SPOOL REST ROD JOINT		*		1
36	11185402	THREAD GUIDE ARM JOINT		*		4
37	11185006	SPOOL REST ARM		*		2
38	B3320704L00A	SPOOL PIN		*		4
39	B3311012000	SPOOL REST CUSHION		*		4
40	11185501	SPOOL RETAINER		*		4
41	B3317704000	NUT		*		1
42	B3311704000	SPOOL REST ROD CAP		*		1
43	WP1612616SE	WASHER 16X30X2.6		*		2
44	SM4051405SE	SCREW M5 L=14		*		2
45	NM6050001SE	NUT M5		*		2
46	SM4051405SE	SCREW M5 L=14		*		4
47	NM6050001SE	NUT M5		*		4

THREAD STAND COMPONENTS



THREAD STAND COMPONENTS

No.	Parts No.	Parts name	Remarks	Level	Cons	Qty
48	NM6050001SE	NUT M5		*		4
49	B3309704000	THREAD GUIDE ARM		*		1
50	B3304704000A	THREAD GUIDE ARM HOLDER		*		1
51	B3311804000	LOWER THREAD GUIDE		*		1
52	SS7110540SP	SCREW 11/64-40 L=5		*		1
53	SM6053000SE	SCREW M5X0.8 L=30		*		1
54	NM6050001SE	NUT M5		*		1
55	MAO11532000	CORD STAPLE		*		3

TABLE COMPONENTS

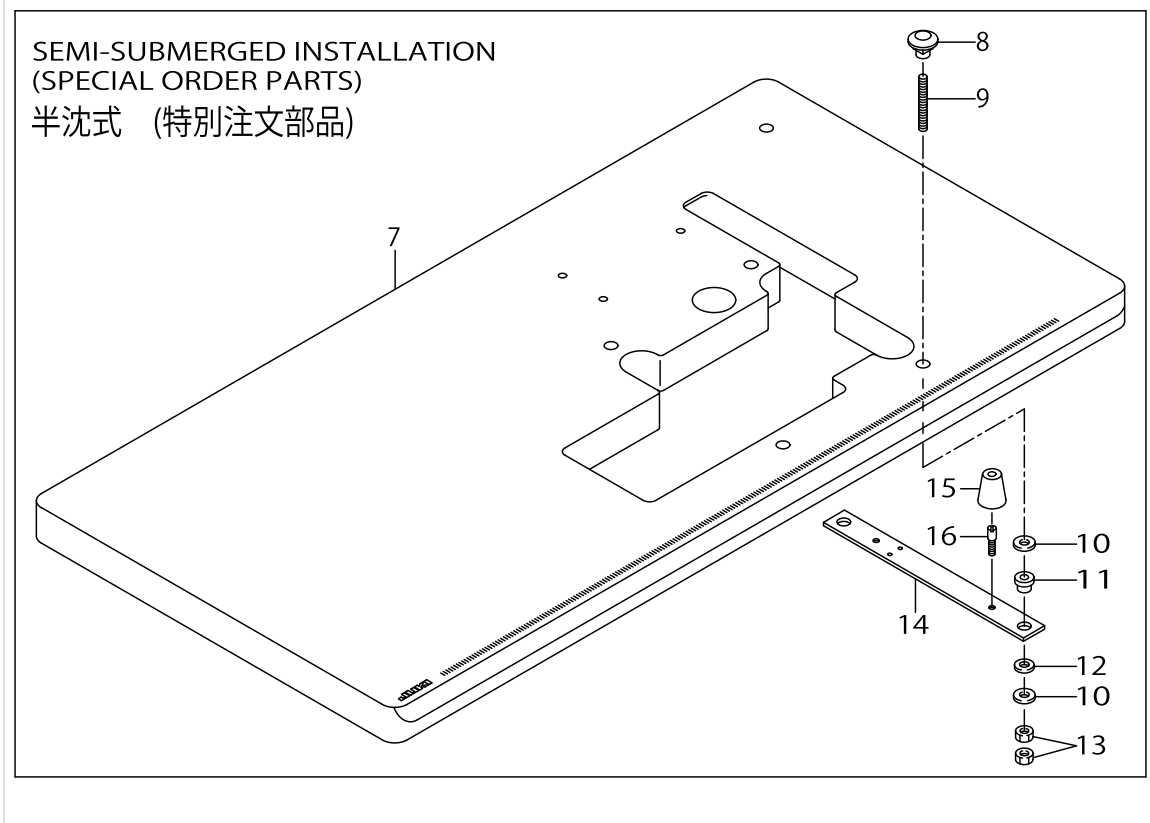
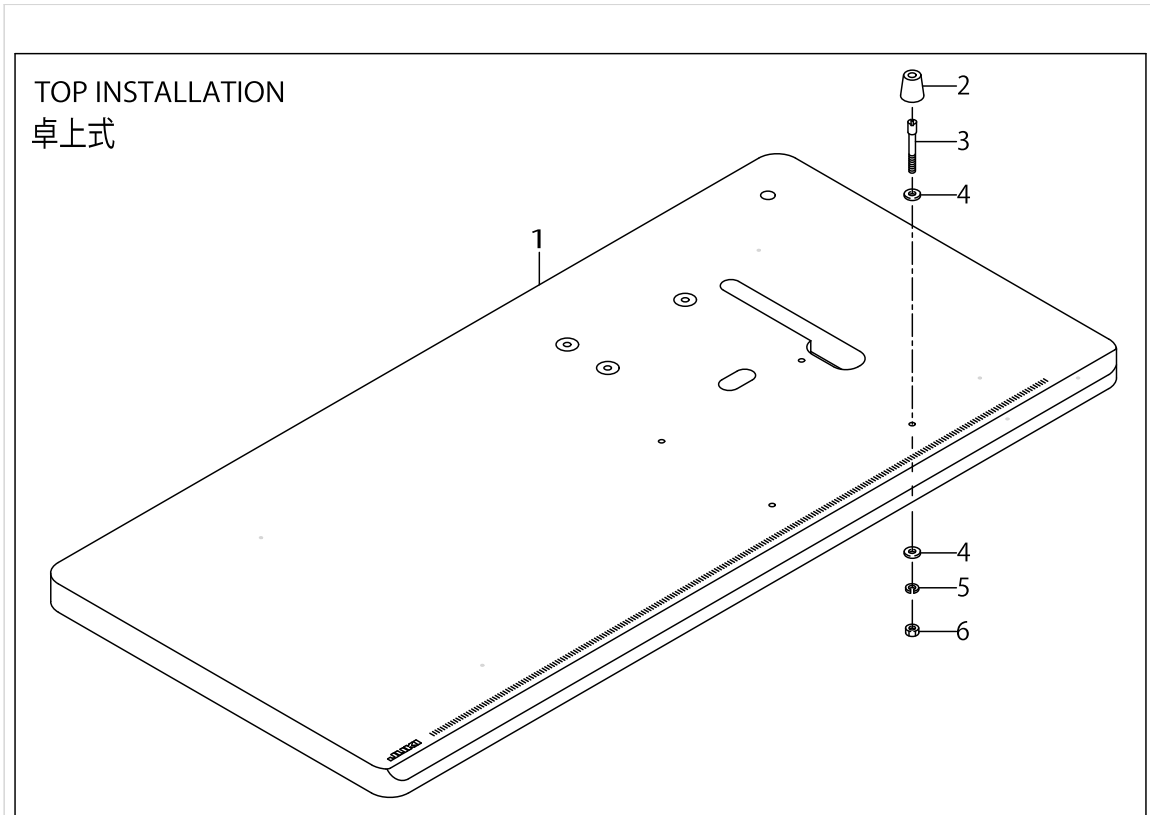
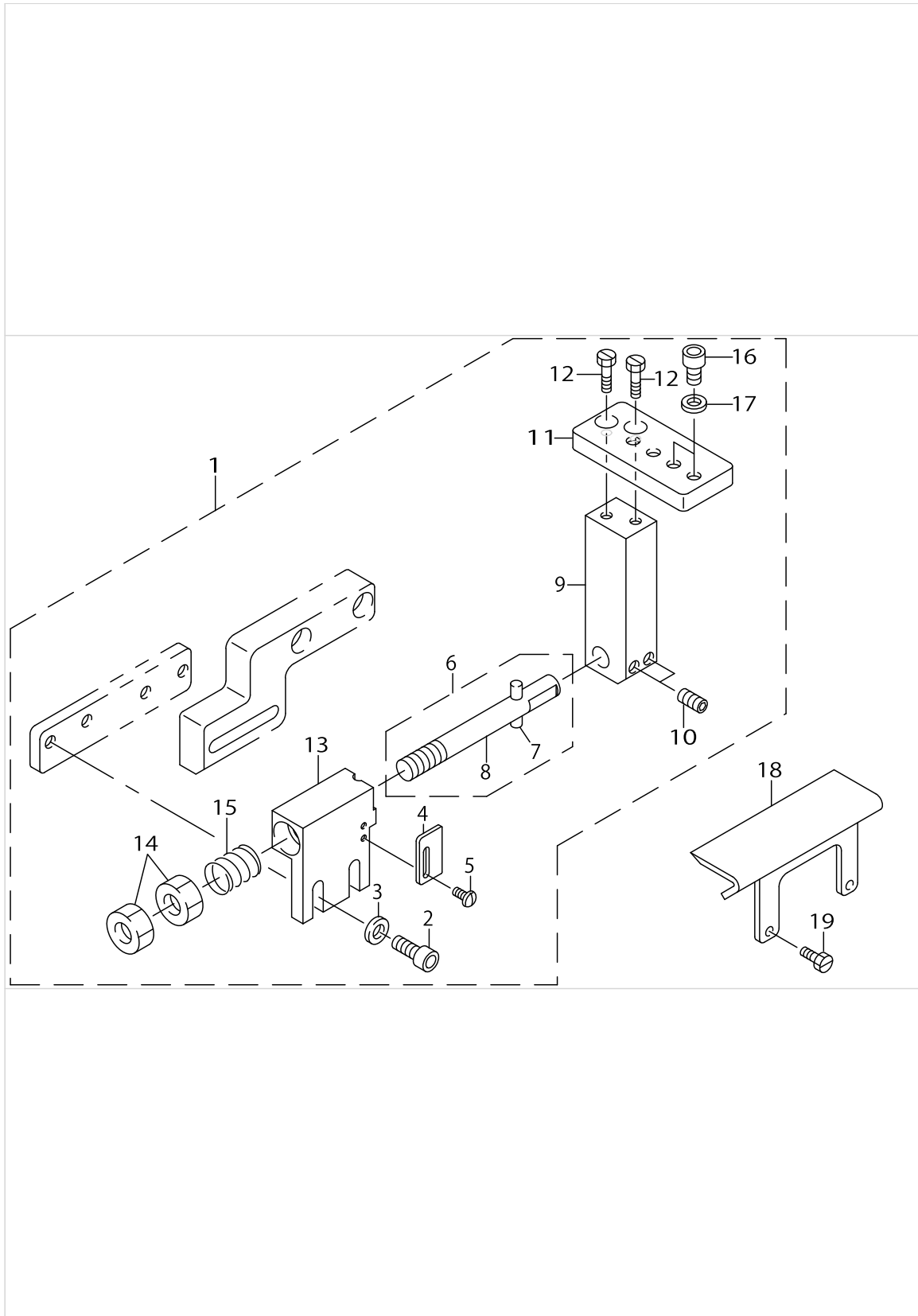


TABLE COMPONENTS

No.	Parts No.	Parts name	Remarks	Level	Cons	Qty
1	31138803	TABLE (TOP INSTALLATION)				1
2	31140403	RUBBER CUSHION				4
3	31140502	PIN SCREW (M6X1-63)				4
4	31174501	WASHER				8
5	31174600	SPRING WASHER				4
6	31172307	NUT				4
7	31141203	TABLE				1
8	31140601	NUT				4
9	31140700	SCREW (M8X1.25-75)				4
10	31174808	WASHER				8
11	31140809	HOLDING PLATE RUBBER CUSHION				4
12	31140908	HOLDING PLATE RUBBER CUSHION				4
13	31172406	NUT				8
14	31141104	HOLDING PLATE				2
15	31140403	RUBBER CUSHION				4
16	31141005	PIN SCREW (M6X1-16)				4

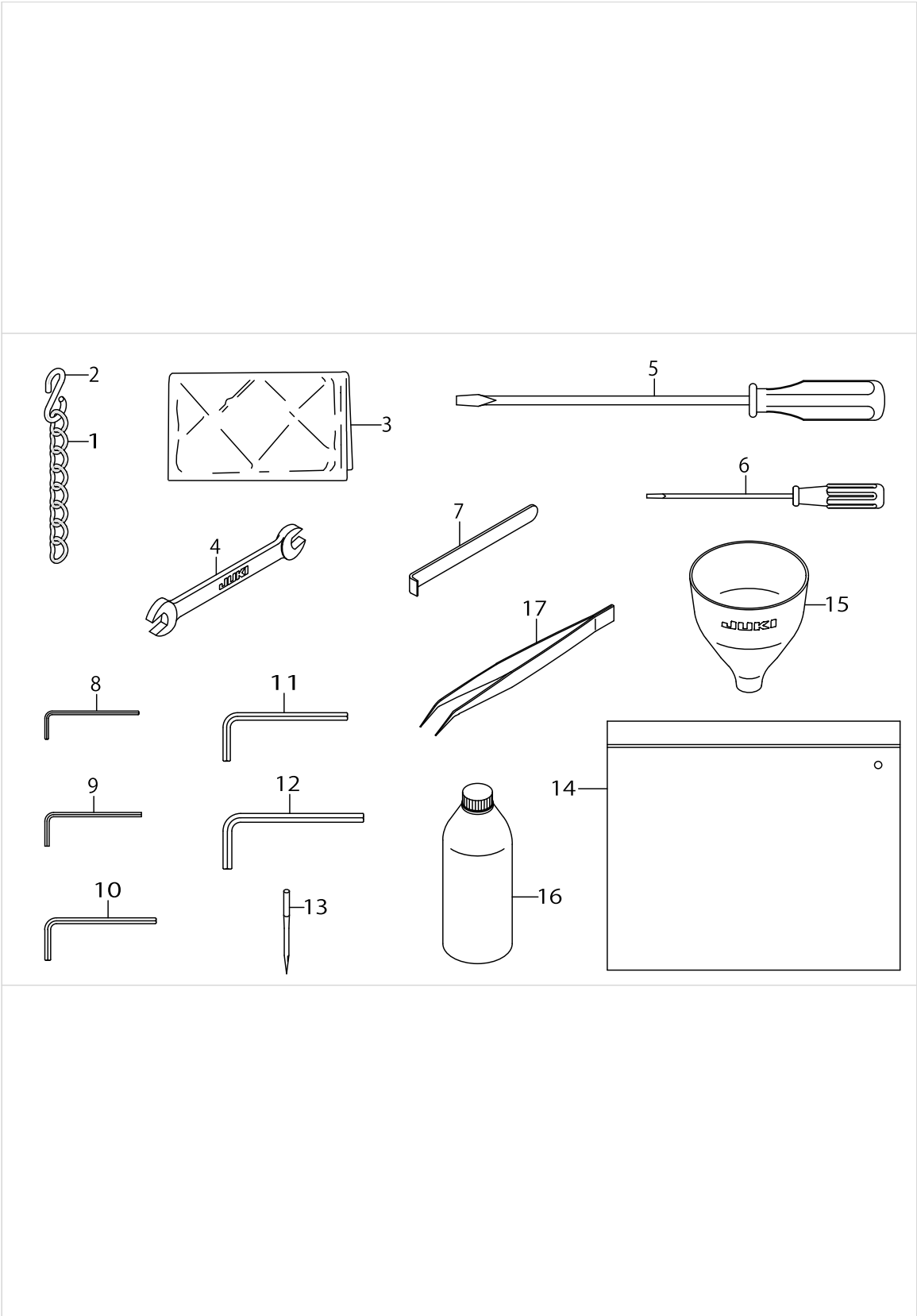
SPECIAL ORDER PARTS COMPONENTS



SPECIAL ORDER PARTS COMPONENTS

No.	Parts No.	Parts name	Remarks	Level	Cons	Qty
1	31141658	RULER FITTING BASE WHOLE ASM.				1
2	31163306	SCREW (M6X1-15) 62		*		2
3	31174006	WASHER		*		2
4	31141807	STOPPER		*		1
5	31165707	SCREW (M3X0.5-2) 40		*		2
6	31141955	RULER FITTING BASE SHAFT ASM.		*		1
7	31177306	SPRING PIN		*		1
8	31141906	RULER FITTING BASE SHAFT		*		1
9	31142003	RULER FITTING BASE 5		*		1
10	31170301	SCREW (M6X1-6) 82		*		2
11	31141609	RULER FITTING BASE 3		*		1
12	31163108	SCREW (M5X0.8-10) 62		*		2
13	31141708	RULER FITTING BASE 4		*		1
14	31172208	NUT		*		2
15	31142201	CUTTER LOWER SPRING		*		1
16	31163702	SCREW (M6X1-10) 62		*		2
17	31174006	WASHER		*		2
18	31142102	AUXILIARY COVER				1
19	31161706	SCREW (M4X0.7-5.4) 60				2

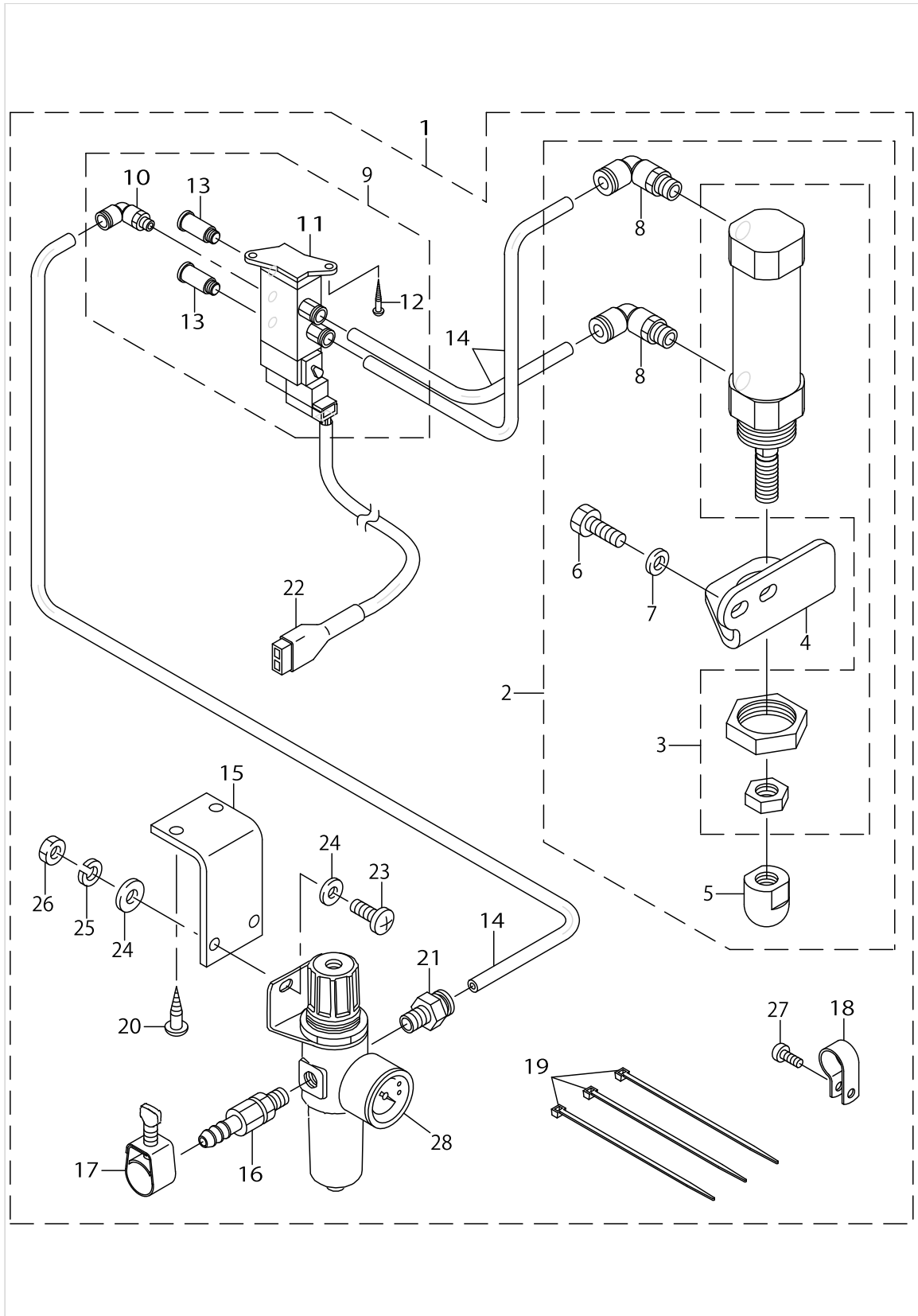
ACCESSORIE PARTS COMPONENTS



ACCESSORIE PARTS COMPONENTS

No.	Parts No.	Parts name	Remarks	Level	Cons	Qty
1	B8103980000	CHAIN				1
2	B8133019000	S SHAPED HOOK				2
3	B9118232000	VINYL COVER				1
4	B9113012000	WRENCH (9X10)				1
5	22933006	SCREW DRIVER,LARGE				1
6	12347308	SCREW DRIVER (SMALL)				1
7	B9101490000	DRIVER				1
8	GCT02904000	SPANNER				1
9	J106600000D	HEXAGONAL WRENCH KEY				1
10	B9140372000	HEXAGONAL WRENCH, SMALL				1
11	GCT02906000	HEXAGONAL SPANNER				1
12	B9142372000	HEXAGONAL WRENCH (7.1X8.1)				1
13	MDV570B2100	NEEDLE DVX57 #21				10
14	22932800	ACCESSORIE BAG				1
15	B9107804000	FUNNEL				1
16	MDFRX2001L0	DEFRIX OIL, NO.2 900CC				1
17	12288403	TWEEZERS				1

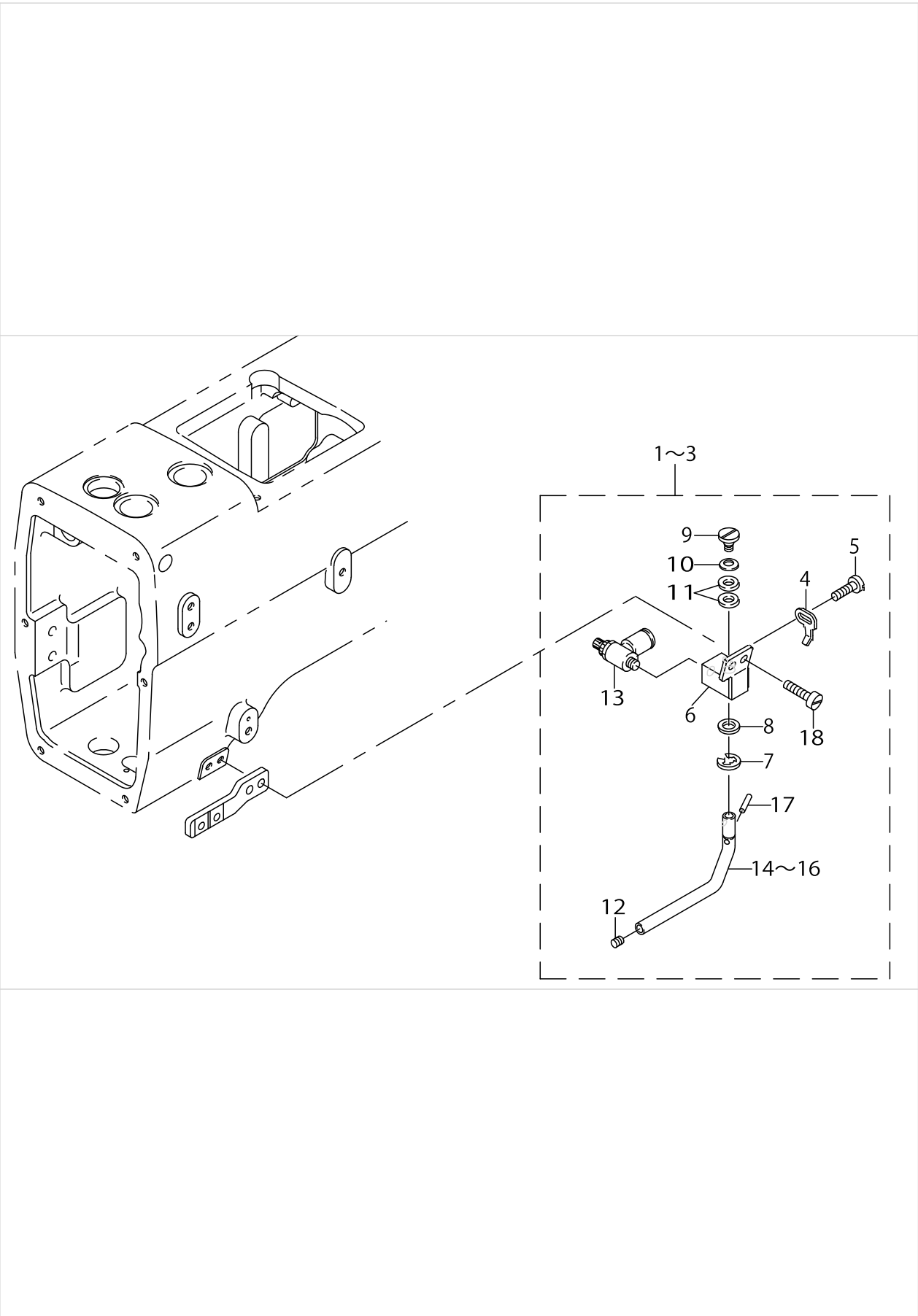
PRESSER LIFTER COMPONENTS



PRESSER LIFTER COMPONENTS

No.	Parts No.	Parts name	Remarks	Level	Cons	Qty
1	GAKA22010B0	PRESSER LIFTER				1
2	GAKA22010A0	PRESSER LIFTING CYLINDER ASM.		*		1
3	GAKA2201000	PRESSER LIFTING CYLINDER		*		1
4	GAKA2203000	CYLINDER FITTING BASE		*		1
5	GAKA2204000	AIR CYLINDER ROD TIP		*		1
6	31163900	SCREW (M6X15) 82		*		2
7	31173107	WASHER		*		2
8	GAKA2202000	JOINT 6-PT1/8		*		2
9	GAKA22050A0	ELECTROMAGNETIC VALVE ASM.		*		1
10	GAKA2207000	JOINT		*		1
11	GAKA2205000	ELECTROMAGNETIC VALVE		*		1
12	GAKA2223000	SCREW (3.1X16)		*		2
13	GAKA2206000	SILENCER		*		2
14	GAKA2213000	NYLONS TUBE		*		3
15	GAKA2216000	REGULATOR FITTING PLATE		*		1
16	GAKA2217000	HOSE UNION		*		1
17	GAKA2218000	HOSE BAND		*		1
18	GAKA2219000	CORD CLAMP		*		1
19	GAKA2220000	CABLE BAND		*		3
20	GAKA2222000	WOOD SCREW (5.1X16)		*		2
21	GAKA2214000	CONNECTOR		*		1
22	GAKA22080A0	ELECTROMAGNETIC VALVE CORD		*		1
23	31168602	SCREW (M5-0.8X16) 41		*		2
24	31173305	WASHER		*		4
25	31173503	SPRING WASHER		*		2
26	31171408	NUT		*		2
27	31168404	SCREW (M4X0.7-8) 45		*		1
28	GAKA2215000	REGULATOR		*		1

OPTIONAL COMPONENTS (1)



OPTIONAL COMPONENTS (1)

No.	Parts No.	Parts name	Remarks	Level	Cons	Qty
1	31142565	NEEDLE COOLER DEVICE ASM.	FOR MH-1410A (2-NEEDLE 31.8MM)			1
2	31143068	NEEDLE COOLER DEVICE ASM.	FOR MH-1410B,C (2-NEEDLE 34.9 & 38.1MM)			1
3	31143167	NEEDLE COOLER DEVICE ASM.	FOR MH-1410D (4-NEEDLE 1/4-1-1/4)			1
4	31142904	AIR PIPE SET PLATE		*		1
5	31165608	SCREW (M3X0.5-4.2) 60		*		2
6	31142755	AIR PIPE BRACKET ASM.		*		1
7	31175904	E RING		*		1
8	31175102	WASHER		*		1
9	31166705	SCREW (M4X0.7-4) D60		*		1
10	31175003	SPRING WASHER		*		1
11	31173305	WASHER		*		2
12	31169600	SCREW (M4X0.7-4) 82		*		1
13	31182009	SPEER CONTROLLER M5		*		1
14	31142557	AIR PIPE	FOR MH-1410A (2-NEEDLE 31.8MM)	*		1
15	31143050	AIR PIPE	FOR MH-1410B,C (2-NEEDLE 34.9 & 38.1MM)	*		1
16	31143159	AIR PIPE	FOR MH-1410D (4-NEEDLE 1/4-1-1/4)	*		1
17	31142607	SPRING PIN		*		1
18	31160906	SCREW (M3X0.5-4.2) 60		*		2

HOW TO MAKE USE OF THIS PARTS LIST

1.As to "#01" and "#02" refer to the "Note" given at the bottom of the respective pages.

2.Codes on the "Qty" column

- Each numeral indicates the number of parts required.
- "0.1" and "2.5" indicate the length (in meters) of the respective parts.

3.Parentheses mean that the corresponding part is a subpart that constructs an assembly part.

4.Dotted lines on the Figures indicate assembly parts.

1. リストページの# 0 1、# 0 2の印は、ページ下の"注記"の説明を参照下さい。
2. 数量欄の数字は、個数を表し、0. 1、2. 5等の数値は、長さ（単位メートル）を表します。
3. 数量欄の（ ）は、組部品を構成している子部品であることを意味します。
4. イラストページの-----枠は、組構成であることを意味します。

NUMERICAL INDEX OF PARTS

PART NO	PAGE	REF NO.	PART NO	PAGE	REF NO.	PART NO	PAGE	REF NO.
11185006	48	37	31103153	26	24	31110406	8	30
11185105	48	32	31103161	26	23	31110505	8	29
11185204	48	33	31103203	26	27	31110604	8	25
11185352	48	34	31103500	26	25	31110703	8	24
11185402	48	36	31103609	30	42	31110802	8	32
11185501	48	40	31103708	4	44	31110901	8	1
11843208	30	4	31103807	4	53	31111008	10	47
11966504	48	14	31103807	6	53	31111107	10	7
11969458	48	31	31103906	4	3	31111206	8	9
11969508	48	4	31103906	32	3	31111354	8	26
12288403	56	17	31103906	36	22	31111404	8	31
12347308	56	6	31104003	4	25	31111503	8	20
22932800	56	14	31104102	2	16	31112501	26	32
22933006	56	5	31104201	2	17	31112600	26	30
30362909	26	49	31104300	6	62	31112709	14	18
30362909	28	49	31104409	4	30	31112808	14	14
30382907	26	52	31104508	4	4	31112907	14	15
30382907	28	52	31104607	2	14	31113004	14	16
31100209	6	63	31104706	2	9	31113103	14	24
31100506	2	1	31104805	26	18	31113202	14	25
31100605	2	2	31104904	30	1	31113301	14	19
31100704	4	47	31105307	4	26	31113400	14	27
31100803	4	38	31105703	2	29	31113509	14	35
31100902	4	41	31105950	2	20	31113608	14	31
31101009	4	34	31106008	2	31	31113707	14	32
31101108	4	28	31106107	2	23	31113806	14	20
31101207	2	11	31106206	6	64	31113905	14	22
31101306	4	13	31108004	10	4	31114051	14	2
31101405	2	5	31108202	10	21	31114069	14	1
31101504	4	1	31108400	10	46	31114358	14	7
31101603	2	12	31108509	10	11	31114606	14	11
31101702	6	48	31108608	10	23	31114655	14	10
31101900	2	7	31108806	8	13	31114705	14	12
31102007	6	56	31108905	8	14	31114804	14	8
31102056	6	55	31109002	10	1	31114903	14	4
31102106	6	57	31109101	8	3	31115009	14	5
31102205	4	22	31109408	8	4	31115108	14	30
31102304	4	23	31109408	10	2	31115207	14	3
31102403	4	15	31109507	8	10	31117005	16	24
31102502	4	18	31109606	10	8	31117104	16	4
31102601	4	21	31109705	8	7	31117203	16	14
31102700	2	6	31109804	10	5	31117302	16	8
31102809	6	68	31109952	8	17	31117401	16	3
31102908	6	50	31110109	8	27	31117609	16	23
31103005	6	52	31110307	8	28	31117708	16	36

NUMERICAL INDEX OF PARTS

PART NO	PAGE	REF NO.	PART NO	PAGE	REF NO.	PART NO	PAGE	REF NO.
31117807	16	11	31123508	18	24	31129000	24	15
31117906	16	18	31123607	18	22	31129109	24	22
31118003	16	38	31123706	10	30	31129208	22	36
31118102	16	39	31123805	18	17	31129307	22	32
31118201	16	10	31123904	18	28	31129406	22	31
31118300	16	6	31124001	18	34	31129505	24	4
31118458	16	1	31124100	18	47	31129604	22	34
31118607	16	2	31124209	10	26	31129703	24	6
31118805	16	29	31124308	10	43	31131006	26	4
31118904	16	37	31124357	10	42	31131105	26	5
31119050	16	15	31124407	10	44	31131204	26	1
31119209	16	40	31124506	18	1	31131352	16	26
31119308	16	22	31124605	18	8	31131600	26	42
31119407	16	20	31126105	4	36	31131709	26	41
31119506	16	17	31126204	26	34	31131907	26	48
31119605	16	32	31126303	26	20	31131907	28	48
31121007	18	45	31126402	24	14	31132004	16	27
31121155	18	42	31126501	4	7	31132103	26	50
31121205	10	22	31126600	4	5	31132103	28	50
31121205	18	43	31126709	22	15	31132202	26	45
31121304	18	35	31126808	4	10	31132301	26	47
31121304	24	3	31126907	22	1	31132400	26	51
31121403	18	33	31127004	22	13	31132400	28	51
31121502	18	37	31127103	22	5	31132509	26	44
31121700	18	9	31127152	22	4	31132608	26	53
31121809	18	11	31127202	22	7	31132608	28	53
31121908	18	5	31127301	22	10	31134000	30	13
31122005	18	3	31127400	22	25	31134109	30	39
31122104	10	29	31127509	22	6	31134208	30	10
31122203	10	34	31127608	22	20	31134307	30	38
31122252	10	33	31127756	22	18	31134356	30	35
31122260	10	31	31127806	22	19	31134406	30	18
31122302	10	36	31127905	24	20	31134455	30	15
31122401	10	35	31128002	10	15	31134505	30	22
31122500	10	32	31128051	10	14	31134554	30	19
31122609	10	37	31128069	10	12	31134604	30	32
31122708	10	38	31128101	10	20	31134703	30	8
31122906	18	14	31128200	10	18	31134802	30	33
31122955	18	13	31128309	10	13	31134901	30	44
31122963	18	12	31128408	24	19	31135007	30	43
31123052	18	19	31128507	24	11	31135106	30	7
31123151	18	25	31128606	24	21	31135205	30	27
31123201	18	26	31128705	24	7	31135502	30	5
31123300	18	15	31128804	24	16	31135601	30	36
31123409	18	29	31128903	24	9	31135700	30	6

NUMERICAL INDEX OF PARTS

PART NO	PAGE	REF NO.	PART NO	PAGE	REF NO.	PART NO	PAGE	REF NO.
31135908	30	30	31146103	42	64	31153307	44	2
31136005	30	31	31146202	44	30	31153406	44	38
31136104	30	37	31146301	44	36	31153505	40	34
31136252	30	23	31147051	40	40	31153505	44	34
31136302	30	24	31147150	40	8	31154008	40	4
31137300	30	40	31147259	44	8	31154107	42	62
31137409	30	34	31147358	44	45	31154206	44	4
31138555	48	1	31147853	42	48	31154305	44	40
31138803	52	1	31147952	46	55	31154503	22	29
31140007	26	36	31148059	40	15	31154602	22	28
31140106	26	37	31148158	44	18	31154651	22	26·27
31140205	2	25	31148653	42	54	31155005	40	7
31140304	2	26	31148752	46	61	31155054	40	5
31140403	52	15	31148851	40	21	31155104	40	39
31140502	52	3	31148950	44	24	31155104	44	44
31140601	52	8	31149404	42	53	31155203	40	38
31140700	52	9	31149503	46	56	31155252	40	37
31140809	52	11	31149602	40	20	31155302	44	6
31140908	52	12	31149701	44	23	31155351	44	5
31141005	52	16	31150204	42	58	31155401	44	43
31141104	52	14	31150303	46	66	31155450	44	42
31141203	52	7	31150402	40	22	31160005	10	40
31141609	54	11	31150501	44	28	31160104	10	28
31141658	54	1	31151004	40	41	31160203	40	35
31141708	54	13	31151004	44	49	31160203	44	35
31141807	54	4	31151004	46	49	31160302	34	21
31141906	54	8	31151152	40	55	31160401	40	56
31141955	54	6	31151152	42	55	31160401	42	56
31142003	54	9	31151152	44	63	31160401	44	62
31142102	54	18	31151152	46	63	31160401	46	62
31142201	54	15	31151301	40	43	31160500	10	39
31142557	60	14~16	31151301	44	51	31160609	14	13
31142565	60	1~3	31151301	46	51	31160609	26	31
31142607	60	17	31151400	40	46	31160807	4	35
31142755	60	6	31151400	44	53	31160807	22	11
31142904	60	4	31151400	46	53	31160807	26	35
31143050	60	14~16	31151509	40	59	31160807	34	23
31143068	60	1~3	31151509	42	59	31160906	4	2
31143159	60	14~16	31151509	44	64	31160906	16	5
31143167	60	1~3	31151509	46	64	31160906	60	18
31145006	40	2	31151608	40	60	31161003	6	58
31145105	40	36	31151608	42	60	31161102	14	6
31145204	44	3	31151608	44	47	31161102	18	20
31145303	44	39	31153109	40	3	31161201	34	34
31146004	40	1	31153208	42	66	31161300	8	21

NUMERICAL INDEX OF PARTS

PART NO	PAGE	REF NO.	PART NO	PAGE	REF NO.	PART NO	PAGE	REF NO.
31161300	40	42	31163801	38	9	31168404	26	19
31161300	44	50	31163900	14	36	31168404	30	2
31161300	46	50	31163900	18	4	31168404	58	27
31161409	8	33	31163900	22	16	31168503	2	8
31161409	24	13	31163900	30	26	31168503	4	31
31161409	26	28	31163900	58	6	31168503	30	41
31161508	40	61	31164007	2	15	31168602	58	23
31161508	42	61	31164106	6	49	31168701	24	17
31161508	44	48	31164106	10	16	31168800	22	23
31161508	46	48	31164205	32	2	31168909	40	45
31161607	34	20	31164304	4	54	31168909	44	46
31161706	26	33	31164304	6	54	31169006	4	14
31161706	40	44	31164403	4	39	31169006	22	14
31161706	44	52	31164502	14	17	31169006	38	15
31161706	46	52	31164601	22	30	31169105	10	19
31161706	54	19	31164700	14	9	31169105	34	25
31161805	2	18	31164700	16	13	31169204	26	6
31161904	38	2	31165004	16	28	31169303	38	4
31162001	4	37	31165400	36	2	31169402	18	39
31162100	36	18	31165509	2	21	31169501	4	33
31162209	32	9	31165608	60	5	31169501	10	17
31162308	14	23	31165707	54	5	31169501	14	29
31162308	18	41	31166002	40	47	31169501	18	27
31162407	40	63	31166002	44	54	31169600	4	43
31162407	42	63	31166002	46	54	31169600	16	19
31162407	44	41	31166101	32	19	31169600	24	18
31162506	22	3	31166200	4	46	31169600	30	25
31162605	18	44	31166200	34	8	31169600	32	22
31162704	4	19	31166309	16	9	31169600	34	9
31162803	16	21	31166408	16	31	31169600	60	12
31162803	36	14	31166507	6	59	31169709	8	22
31163108	54	12	31166606	26	3	31169808	18	6
31163207	36	21	31166705	16	30	31169907	8	12
31163306	26	40	31166705	60	9	31169907	10	9
31163306	54	2	31166804	36	32	31169907	34	30
31163405	14	28	31166903	36	12	31170004	10	45
31163504	16	41	31167000	36	6	31170004	14	26
31163504	18	46	31167109	36	16	31170004	18	23
31163504	22	22	31167703	16	7	31170004	22	35
31163603	32	30	31167802	8	23	31170004	24	23
31163603	34	4	31168008	2	10	31170004	32	29
31163702	16	33	31168107	2	27	31170004	34	18
31163702	54	16	31168206	4	42	31170103	22	17
31163801	32	14	31168404	4	67	31170202	8	19
31163801	34	2	31168404	6	67	31170202	10	25

NUMERICAL INDEX OF PARTS

PART NO	PAGE	REF NO.	PART NO	PAGE	REF NO.	PART NO	PAGE	REF NO.
31170301	8	11	31173800	16	34	31179104	16	16
31170301	10	48	31173909	6	61	31179500	16	25
31170301	12	48	31174006	26	39	31179609	24	12
31170301	18	21	31174006	54	17	31179708	32	11
31170301	22	21	31174105	4	45	31180300	18	40
31170301	32	7	31174204	6	60	31180409	18	7
31170301	34	6	31174204	30	11	31180508	8	15
31170301	36	24	31174303	16	35	31180607	22	8
31170301	54	10	31174303	36	31	31180706	10	24
31170400	22	9	31174501	52	4	31180805	32	33
31170509	18	31	31174600	52	5	31181100	30	9
31170608	8	18	31174709	32	31	31181209	4	8
31170707	40	65	31174808	52	10	31181308	18	32
31170707	42	65	31174907	30	29	31181407	30	3
31170707	44	37	31175003	60	10	31181506	2	19
31170806	26	26	31175102	60	8	31182009	60	13
31170905	8	2	31175201	22	24	B3304704000A	48	50
31171200	14	33	31175300	18	36	B3304704000A	50	50
31171200	24	8	31175409	18	18	B3305704000A	48	35
31171309	4	40	31175409	22	38	B3309704000	48	49
31171408	58	26	31175409	36	10	B3309704000	50	49
31171507	18	38	31175508	6	51	B3311012000	48	39
31171606	26	43	31175607	24	2	B3311704000	48	42
31171705	16	42	31175607	36	27	B3311804000	50	51
31171804	30	12	31175706	34	11	B3311843000	48	9
31171903	32	20	31175805	32	24	B3317704000	48	41
31172000	36	4	31175904	60	7	B3318704L00A	48	7
31172109	36	17	31176902	4	20	B3319704L00	48	18
31172208	54	14	31177009	4	32	B3320704L00A	48	38
31172307	52	6	31177207	40	57	B3321704L00	48	10
31172406	52	13	31177207	42	57	B3321704LOB	48	11
31172505	30	28	31177207	44	65	B8103980000	56	1
31172901	22	37	31177207	46	65	B8133019000	56	2
31173008	14	37	31177306	54	7	B9101490000	56	7
31173107	58	7	31177405	36	28	B9107804000	56	15
31173305	58	24	31177900	4	29	B9113012000	56	4
31173305	60	11	31178007	6	66	B9118232000	56	3
31173404	26	46	31178106	2	28	B9140372000	56	10
31173404	32	16	31178205	2	4	B9142372000	56	12
31173404	36	29	31178304	4	16	CM300200001	2	30
31173503	58	25	31178700	18	10	CM300200001	34	39
31173602	26	29	31178809	22	33	CM3002001B1	2	24
31173602	34	33	31178908	20	48	GAKA2201000	58	3
31173602	36	3	31179005	24	1	GAKA22010A0	58	2
31173701	14	34	31179005	32	4	GAKA22010B0	58	1

NUMERICAL INDEX OF PARTS

PART NO	PAGE	REF NO.	PART NO	PAGE	REF NO.	PART NO	PAGE	REF NO.
GAKA2202000	58	8	MAV07221000	34	16	MAV07269000	38	17
GAKA2203000	58	4	MAV07222000	34	15	MDFRX2001L0	56	16
GAKA2204000	58	5	MAV07223000	34	3	MDV570B2100	14	21·38
GAKA2205000	58	11	MAV07224000	34	5	MDV570B2100	56	13
GAKA22050A0	58	9	MAV07225000	34	7	NM6050001SE	48	54
GAKA2206000	58	13	MAV07226000	34	13	NM6050001SE	50	54
GAKA2207000	58	10	MAV07227000	34	14	NM6060001SE	48	27
GAKA22080A0	58	22	MAV07228000	34	12	SK3382001SE	48	28
GAKA2213000	58	14	MAV072290A0	34	27	SM4051405SE	48	46
GAKA2214000	58	21	MAV07232000	34	28	SM4061201SE	48	26
GAKA2215000	58	28	MAV07233000	34	29	SM6053000SE	48	53
GAKA2216000	58	15	MAV072340A0	34	31	SM6053000SE	50	53
GAKA2217000	58	16	MAV07235000	34	35	SM6061610SC	48	24
GAKA2218000	58	17	MAV07236000	34	36	SS7110540SP	48	52
GAKA2219000	58	18	MAV07237000	34	37	SS7110540SP	50	52
GAKA2220000	58	19	MAV07238000	34	32	WP1612616SE	48	43
GAKA2222000	2	22	MAV07239000	34	22			
GAKA2222000	58	20	MAV07240000	34	38			
GAKA2223000	58	12	MAV07241000	36	33			
GCT02904000	56	8	MAV07242000	36	20			
GCT02906000	56	11	MAV07243000	36	25			
J106600000D	56	9	MAV07244000	36	23			
MAO11532000	48	55	MAV07245000	36	26			
MAO11532000	50	55	MAV07246000	36	19			
MAV07201000	32	28	MAV07247000	36	13			
MAV072010A0	32	26	MAV07248000	36	15			
MAV07202000	32	27	MAV07249000	36	30			
MAV07203000	32	23	MAV07250000	36	11			
MAV07204000	32	25	MAV07251000	36	8			
MAV07205000	32	6	MAV07252000	36	9			
MAV07206000	32	21	MAV07253000	36	7			
MAV07207000	32	12	MAV07254000	36	1			
MAV07208000	32	8	MAV07255000	36	5			
MAV07209000	32	5	MAV07256000	38	5			
MAV07210000	32	10	MAV07257000	38	6			
MAV07211000	32	1	MAV07258000	38	7			
MAV07212000	32	13	MAV072590A0	38	3			
MAV07213000	32	15	MAV07261000	38	11			
MAV07214000	32	18	MAV07262000	38	10			
MAV07215000	32	32	MAV07263000	38	12			
MAV07216000	34	26	MAV07264000	38	8			
MAV07217000	34	24	MAV07265000	38	1			
MAV07218000	34	1	MAV07266000	38	13			
MAV07219000	34	17	MAV07267000	38	14			
MAV07220000	34	19	MAV07268000	38	16			