

MODEL : EC-10BLT

List No : 1296-01

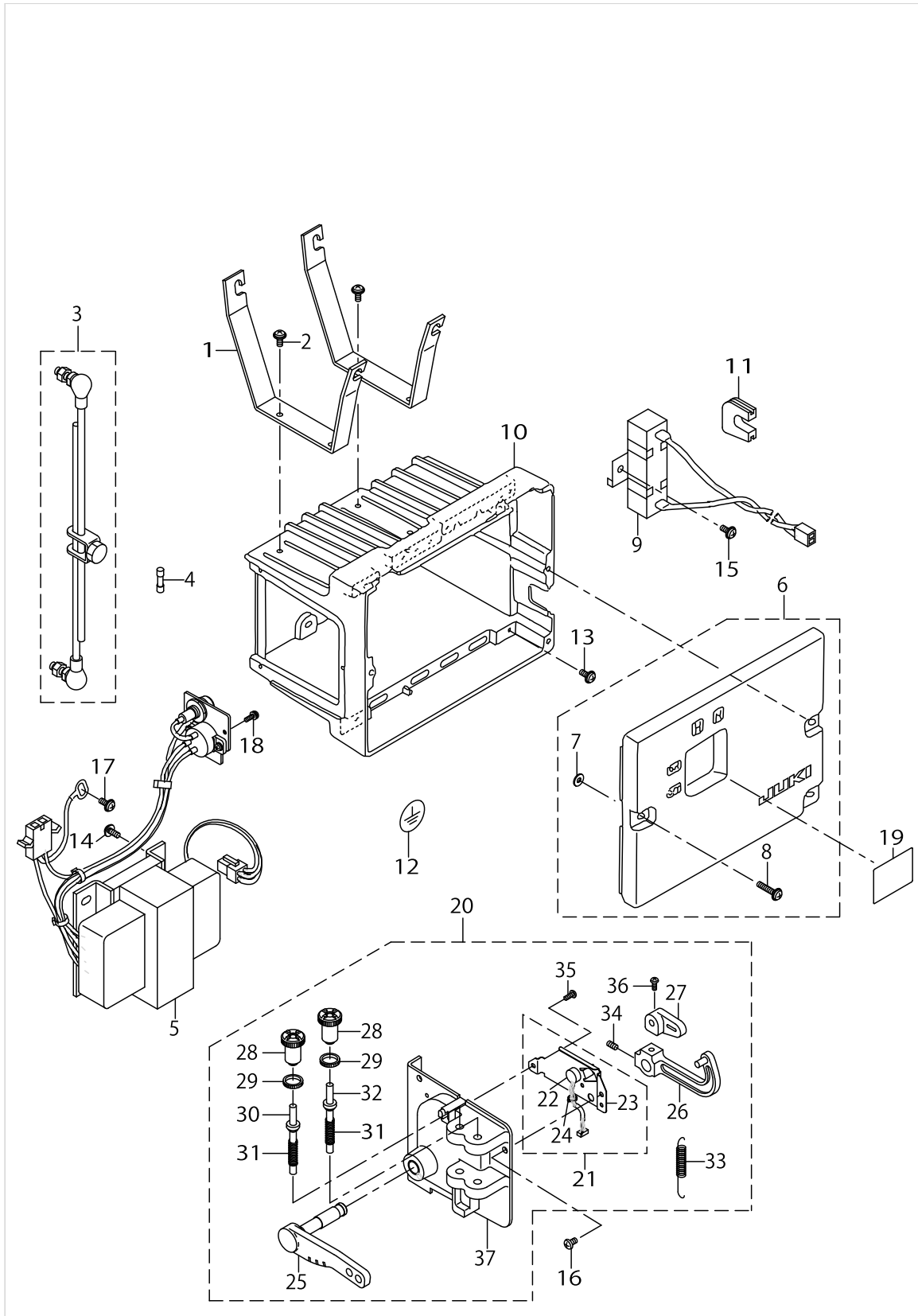
PARTS LIST

Published:09/10/2017

CONTENTS

PSC BOX COMPONENTS	1
MAIN CIRCUIT BOARD COMPONENTS	3
HOW TO MAKE USE OF THIS PARTS LIST	7

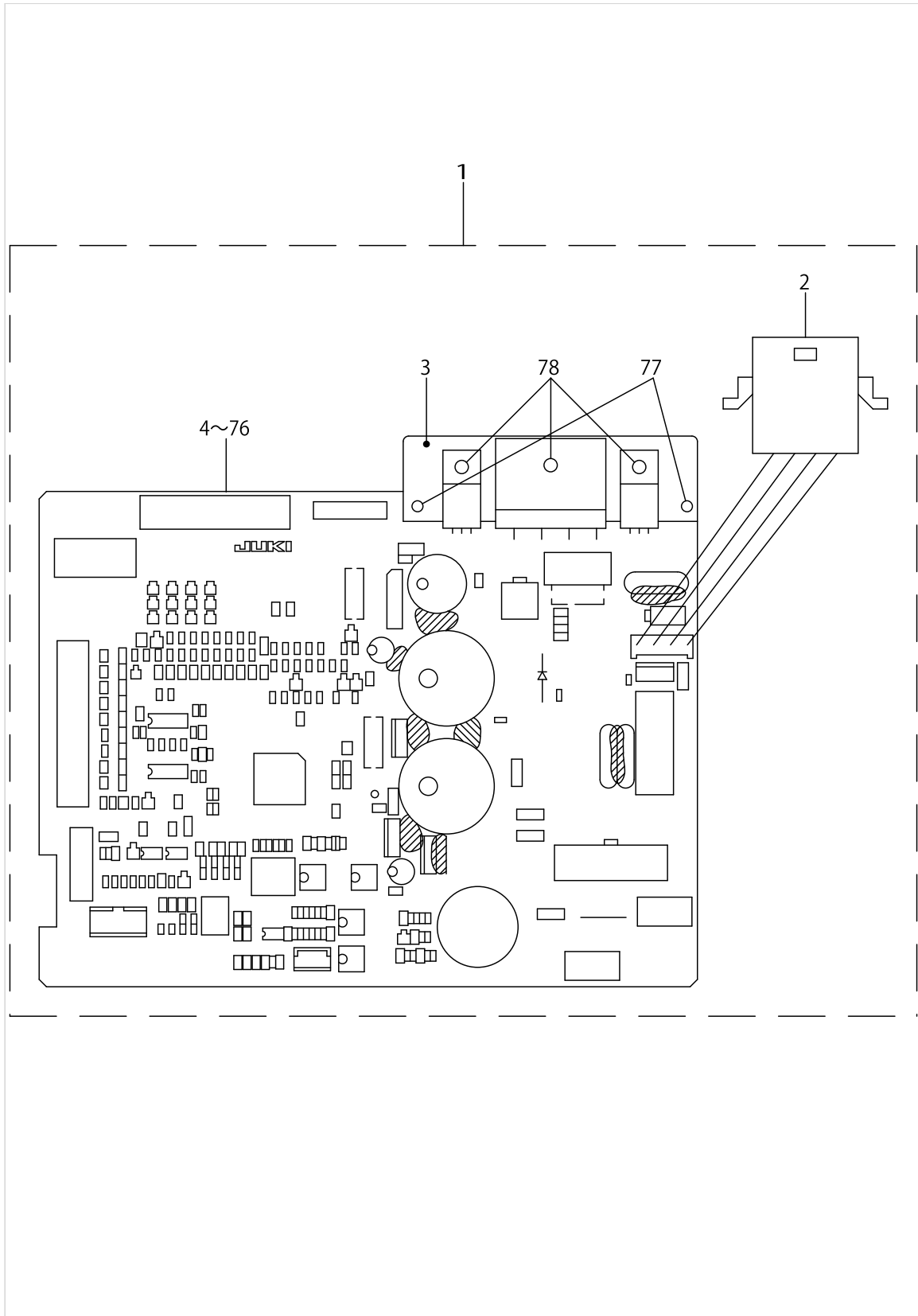
PSC BOX COMPONENTS



PSC BOX COMPONENTS

No.	Parts No.	Parts name	Remarks	Level	Cons	Qty
1	M3002430000	BOX SUSPEND METAL FITTINGS				2
2	SL4041201CF	SCREW M4 L=12				4
3	MTSE8130330	CONNECTING BAR				1
4	HF0041020P0	FUSE 2A				1
5	M8502439AA0	TRANSFORMER ASM.,A				1
6	M85034300A0	BOX COVER ASM.				1
7	M8002430000	STOPPER		*		3
8	SL4042091SC	SCREW M4X0.7 L=20		*		3
9	M85064350A0	RADIATION RESISTANCE ASM.				1
10	M3001439000	PSC BOX B				1
11	M3301439000	RUBBER BUSH				1
12	E9567319000	EARTH MARK				1
13	SL4041081SF	SCREW M4 L=10				5
14	SL4041081SF	SCREW M4 L=10				4
15	SL4041081SF	SCREW M4 L=10				1
16	SL4041081SF	SCREW M4 L=10				3
17	SL4041081SF	SCREW M4 L=10				1
18	SL4031081SF	SCREW M3 L=10				2
19	M7002436000	SEAL				1
20	M8505439BA0	PEDAL SENSOR UNIT B ASM.				1
21	M85074390A0A	VR MOUNT PLATE ASM.		*		1
22	M85084390A0A	VR ASM.		*		1
23	M3210430000	SENSOR VR FITTING PLATE		*		1
24	EA9500B0100	CABLE BAND		*		1
25	M3205301000	PEDAL LEVER		*		1
26	M2003110000	PEDAL LINK		*		1
27	M2004110000	VOLUME LINK		*		1
28	M4012351000	ADJUST SCREW		*		2
29	M2010110000	ADJUST NUT		*		2
30	M4008351000A	SPRING SHAFT A		*		1
31	M4011351000	SPRING B		*		2
32	M4009351000A	SPRING SHAFT B		*		1
33	M3202430000	SPRING		*		1
34	SM8040802TP	SCREW M4X8		*		2
35	SL4030681SF	SCREW M3 L=6		*		2
36	SM4030801SF	SCREW M3X0.5 L=8		*		1
37	M3201435000	PEDAL SENSOR BASE		*		1

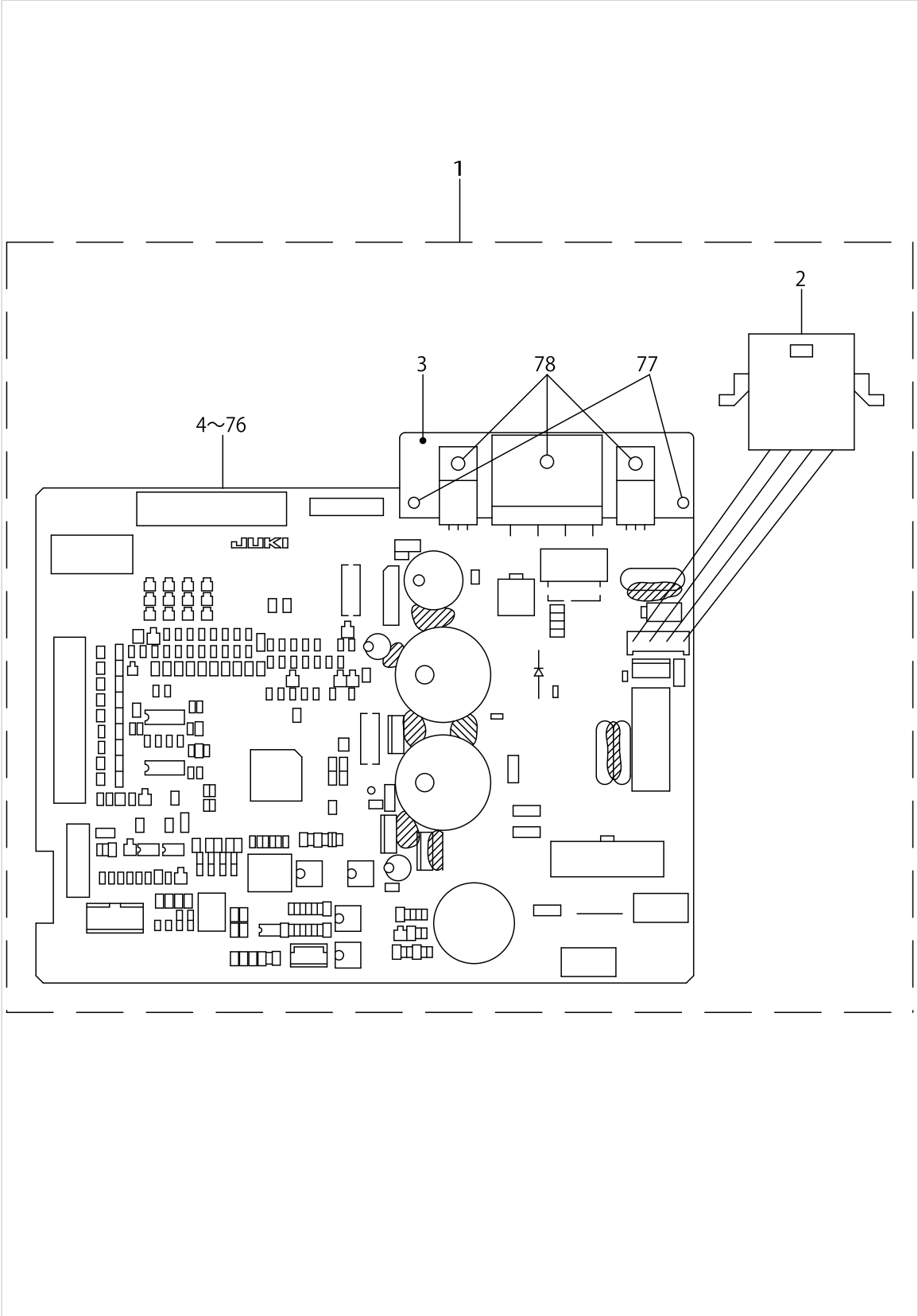
MAIN CIRCUIT BOARD COMPONENTS



MAIN CIRCUIT BOARD COMPONENTS

No.	Parts No.	Parts name	Remarks	Level	Cons	Qty
1	M8601439BA0A	MAIN CIRCUIT BOARD A ASM.				1
2	M85034350A0	CLUTCH BRAKE CORD ASM.		*		1
3	M8001430000	RADIATOR PLATE		*		1
4	M8601439000	MAIN CIRCUIT BOARD		*		1
5	HL013320000	IC (78M12F)		*		1
6	HL010540000	IC(TA7805S)		*		1
7	HL008450000	IC (UPC339G)		*		2
8	HL006320000	IC (UPC393G)		*		1
9	HL013100000	IC (UPC358G2)		*		1
10	HL013240000	IC (M51957BFP)		*		1
11	HL017480000	EEPROM 93LC46		*		1
12	HL018370001	CPU		*		1
13	HT004880000	TRANSISTOR ARRAY (XP1211)		*		7
14	HT002880000	TRANSISTOR (RN1406)		*		4
15	HT002920000	TRANSISTOR (RN2406)		*		2
16	HT004900000	FET (2SK2462)		*		1
17	HT004910000	FET (2SK2461)		*		1
18	HT004400000	TRANSISTER (2SD1795)		*		1
19	HT004440000	TRANSISTOR (2SC3739)		*		1
20	HG003760000	DIODE (FMM-22S)		*		1
21	HG005220000	DIODE (SC015-2)		*		7
22	HG26740140P	DIODE (U05E)		*		2
23	HG003710000	DIODE (1SS226)		*		1
24	HG006200000	DIODE ARRAY (1SS321)		*		1
25	HG006190000	DIODE ARRAY (1SS301)		*		13
26	HG005640000	DIODE BRIGDE (S1VB20)		*		1
27	HG005630000	DIODE BRIGDE (RBV1506)		*		1
28	HG003740000	LIGHT EMITTING DIODE,RED		*		1
29	HK034600040	HEADER 4P (WHITE)		*		1
30	HK03460002B	HEADER 2P (YELLOW)		*		1
31	HK056600200	STRAIGHT HEADER 20P		*		1
32	HK032000030	STRAIGHT HEADER 3P		*		1
33	HK003810070	7-POLE STRAIGHT PLUG		*		1
34	HK04890012A	HEADER 12P		*		1
35	HK00632007B	7 POLE CONNECTOR		*		1
36	HK034600140	14-POLE CONNECTOR		*		1
37	HN00037000B	SURGE ABSORBER 220V		*		1
38	HN000370000	SURGE ABSORBER 22V		*		2
39	HC037304720	CAPACITOR 4700MF/25V		*		1
40	HC040603320	CAPACITOR 3300MF/50V		*		2
41	HC037301010	CAPACITOR 100MF/25V		*		2
42	HC0377033S0	CAPACITOR 0.33MF/35V		*		1
43	HC0216010S0	CAPACITOR 0.1MF		*		25
44	HC0216010T0	CAPACITOR 0.01MF		*		21
45	HC036511020	CAPACITOR 1000PF		*		14
46	HC037811010	CAPACITOR 100PF		*		1
47	HR02230472A	RESISTOR 4.7K OHM 2W		*		1

MAIN CIRCUIT BOARD COMPONENTS



MAIN CIRCUIT BOARD COMPONENTS

No.	Parts No.	Parts name	Remarks	Level	Cons	Qty
48	HR029101000	RESISTOR 10 OHM 1W		*		1
49	HR017705100	RESISTOR 51 OHM 5W		*		1
50	HR02230220A	RESISTOR 22 OHM 2W		*		1
51	HR039412100	RESISTOR 1% 1/16W 121		*		1
52	HR039437400	RESISTOR 1% 1/16W 374		*		1
53	HR039426110	RESISTOR 1% 1/16W 2.61K		*		1
54	HR039410010	RESISTOR 1% 1/16W 1.0K		*		1
55	HR039459020	RESISTOR 1% 1/16W 59.0K		*		4
56	HR039301010	RESISTOR 5% 1/16W 100		*		18
57	HR039301020	RESISTOR 5% 1/16W 1.0K		*		31
58	HR039302220	RESISTOR 5% 1/16W 2.2K		*		10
59	HR039303320	RESISTOR 5% 1/16W 3.3K		*		2
60	HR039304720	RESISTOR 5% 1/16W 4.7K		*		42
61	HR039306820	RESISTOR 5% 1/16W 6.8K		*		1
62	HR039308220	RESISTOR 5% 1/16W 8.2K		*		1
63	HR039301030	RESISTOR 5% 1/16W 10.0K		*		14
64	HR039304730	RESISTOR 5% 1/16W 47K		*		7
65	HR039301040	RESISTOR 5% 1/16W 100K		*		2
66	HR039301540	RESISTOR 5% 1/16W 150K		*		1
67	HR034330100	RESISTOR 1% 1/10W 301		*		3
68	HR034203020	RESISTOR 5% 1/10W 3K		*		7
69	HR034201030	RESISTOR 5% 1/10W 10K		*		2
70	HR034202730	RESISTOR 5% 1/10W 27K		*		2
71	HR034203910	RESISTOR 5% 1/10W 390		*		2
72	HR034205610	RESISTOR 5% 1/10W 560		*		2
73	HR02770103A	ADJUSTABLE RESISTOR		*		4
74	HA001820080	DIP SWITCH 8P		*		1
75	HA001820040	DIP SWITCH 4P		*		1
76	HY001390000	OSCILLATOR		*		1
77	SL4030881SF	SCREW M3 L=8		*		2
78	SL4031081SF	SCREW M3 L=10		*		3

HOW TO MAKE USE OF THIS PARTS LIST

1.As to "#01" and "#02" refer to the "Note" given at the bottom of the respective pages.

2.Codes on the "Qty" column

- Each numeral indicates the number of parts required.
- "0.1" and "2.5" indicate the length (in meters) of the respective parts.

3.Parentheses mean that the corresponding part is a subpart that constructs an assembly part.

4.Dotted lines on the Figures indicate assembly parts.

1. リストページの# 0 1、# 0 2の印は、ページ下の"注記"の説明を参照下さい。
2. 数量欄の数字は、個数を表し、0. 1、2. 5等の数値は、長さ（単位メートル）を表します。
3. 数量欄の（ ）は、組部品を構成している子部品であることを意味します。
4. イラストページの-----枠は、組構成であることを意味します。

NUMERICAL INDEX OF PARTS

PART NO	PAGE	REF NO.	PART NO	PAGE	REF NO.	PART NO	PAGE	REF NO.
E9567319000	2	12	HR034201030	6	4~76	M8001430000	4	3
EA9500B0100	2	24	HR034202730	6	4~76	M8002430000	2	7
HA001820040	6	4~76	HR034203020	6	4~76	M8502439AA0	2	5
HA001820080	6	4~76	HR034203910	6	4~76	M85034300A0	2	6
HC0216010S0	4	4~76	HR034205610	6	4~76	M85034350A0	4	2
HC0216010T0	4	4~76	HR034330100	6	4~76	M8505439BA0	2	20
HC036511020	4	4~76	HR039301010	6	4~76	M85064350A0	2	9
HC037301010	4	4~76	HR039301020	6	4~76	M8507439A0A	2	21
HC037304720	4	4~76	HR039301030	6	4~76	M85084390A0A	2	22
HC0377033S0	4	4~76	HR039301040	6	4~76	M8601439000	4	4~76
HC037811010	4	4~76	HR039301540	6	4~76	M8601439BA0A	4	1
HC040603320	4	4~76	HR039302220	6	4~76	MTSE8130330	2	3
HF0041020P0	2	4	HR039303320	6	4~76	SL4030681SF	2	35
HG003710000	4	4~76	HR039304720	6	4~76	SL4030881SF	6	77
HG003740000	4	4~76	HR039304730	6	4~76	SL4031081SF	2	18
HG003760000	4	4~76	HR039306820	6	4~76	SL4031081SF	6	78
HG005220000	4	4~76	HR039308220	6	4~76	SL4041081SF	2	17
HG005630000	4	4~76	HR039410010	6	4~76	SL4041201CF	2	2
HG005640000	4	4~76	HR039412100	6	4~76	SL4042091SC	2	8
HG006190000	4	4~76	HR039426110	6	4~76	SM4030801SF	2	36
HG006200000	4	4~76	HR039437400	6	4~76	SM8040802TP	2	34
HG26740140P	4	4~76	HR039459020	6	4~76			
HK003810070	4	4~76	HT002880000	4	4~76			
HK00632007B	4	4~76	HT002920000	4	4~76			
HK032000030	4	4~76	HT004400000	4	4~76			
HK03460002B	4	4~76	HT004440000	4	4~76			
HK034600040	4	4~76	HT004880000	4	4~76			
HK034600140	4	4~76	HT004900000	4	4~76			
HK04890012A	4	4~76	HT004910000	4	4~76			
HK056600200	4	4~76	HY001390000	6	4~76			
HL006320000	4	4~76	M2003110000	2	26			
HL008450000	4	4~76	M2004110000	2	27			
HL010540000	4	4~76	M2010110000	2	29			
HL013100000	4	4~76	M3001439000	2	10			
HL013240000	4	4~76	M3002430000	2	1			
HL013320000	4	4~76	M3201435000	2	37			
HL017480000	4	4~76	M3202430000	2	33			
HL018370001	4	4~76	M3205301000	2	25			
HN000370000	4	4~76	M3210430000	2	23			
HN00037000B	4	4~76	M3301439000	2	11			
HR017705100	6	4~76	M4008351000A	2	30			
HR02230220A	6	4~76	M4009351000A	2	32			
HR02230472A	4	4~76	M4011351000	2	31			
HR02770103A	6	4~76	M4012351000	2	28			
HR029101000	6	4~76	M7002436000	2	19			