

MODEL : LZ-2290/LZ-2290-7

List No : 1291-05

# PARTS LIST

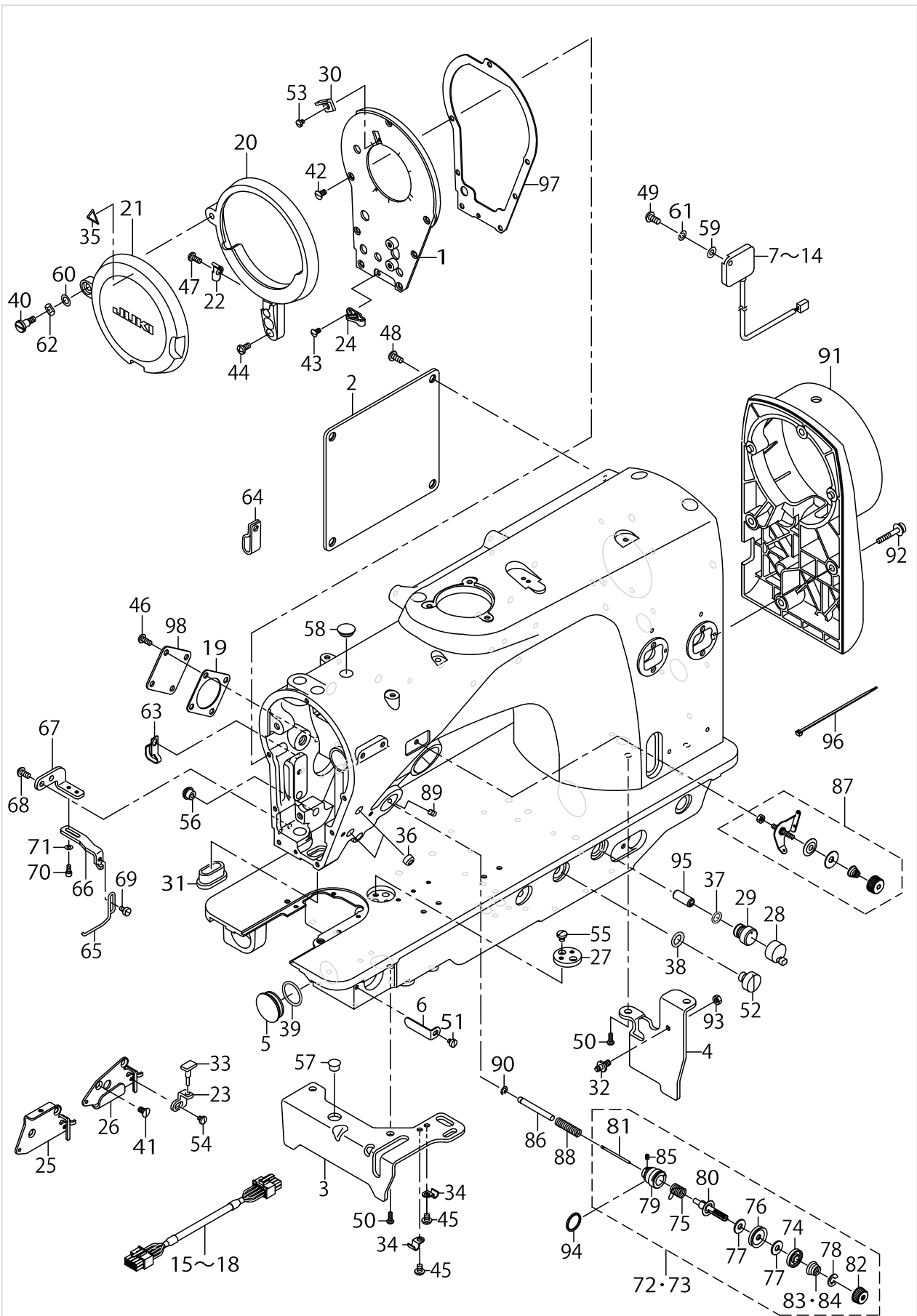
Published:09/10/2017

## CONTENTS

---

FRAME & MISCELLANEOUS COVER COMPONENTS (1) .....	1
FRAME & MISCELLANEOUS COVER COMPONENTS (2) .....	7
MAIN SHAFT & THREAD TAKE-UP & NEEDLE BAR COMPONENTS .....	11
NEEDLE VIBRATOR COMPONENTS .....	15
HAND LIFTER COMPONENTS .....	17
FEED MECHANISM COMPONENTS (1) .....	19
FEED MECHANISM COMPONENTS (2) .....	23
HOOK DRIVING SHAFT COMPONENTS (1) .....	25
HOOK DRIVING SHAFT COMPONENTS (2) .....	27
THREAD TRIMMER MECHANISM COMPONENTS (FOR LZ-2290SS-7,LZ-2290SU-7) .....	29
FEED MECHANISM COMPONENTS (FOR LZ-2290SU,LZ-2290SU-7,LZ-2290DU,LZ-2290DU-7)....	33
AUTOMATIC REVERSE FEED MECHANISM COMPONENTS (FOR LZ-2290SS-7,LZ-2290SU-7)....	35
THREAD FEEDER COMPONENTS .....	37
THREAD RELEASE SOLENOID COMPONENTS (FOR LZ-2290SS-7,LZ-2290SU-7) .....	39
MANUAL SWITCH COMPONENTS (FOR LZ-2290SS,LZ-2290SU) .....	41
LUBRICATION COMPONENTS .....	43
WIPER MECHANISM COMPONENTS (FOR LZ-2290SS-7-WB,LZ-2290SU-7-WB) .....	45
UNDER COVER COMPONENTS .....	47
THREAD STAND COMPONENTS .....	49
CP-760 PANEL COMPONENTS .....	51
SC-905 TRANSMISSION COMPONENTS (1) .....	53
SC-905 TRANSMISSION COMPONENTS (2) .....	55
SC-905 ACCESSORIE PART COMPONENTS .....	59
ACCESSORIE PART COMPONENTS .....	61
COMMON PARTS FOR LZ-2290DS,LZ-2290DS-7,LZ-2290DU,LZ-2290DU-7 .....	63
LIST FOR INFORMATION OF CHANGE .....	65

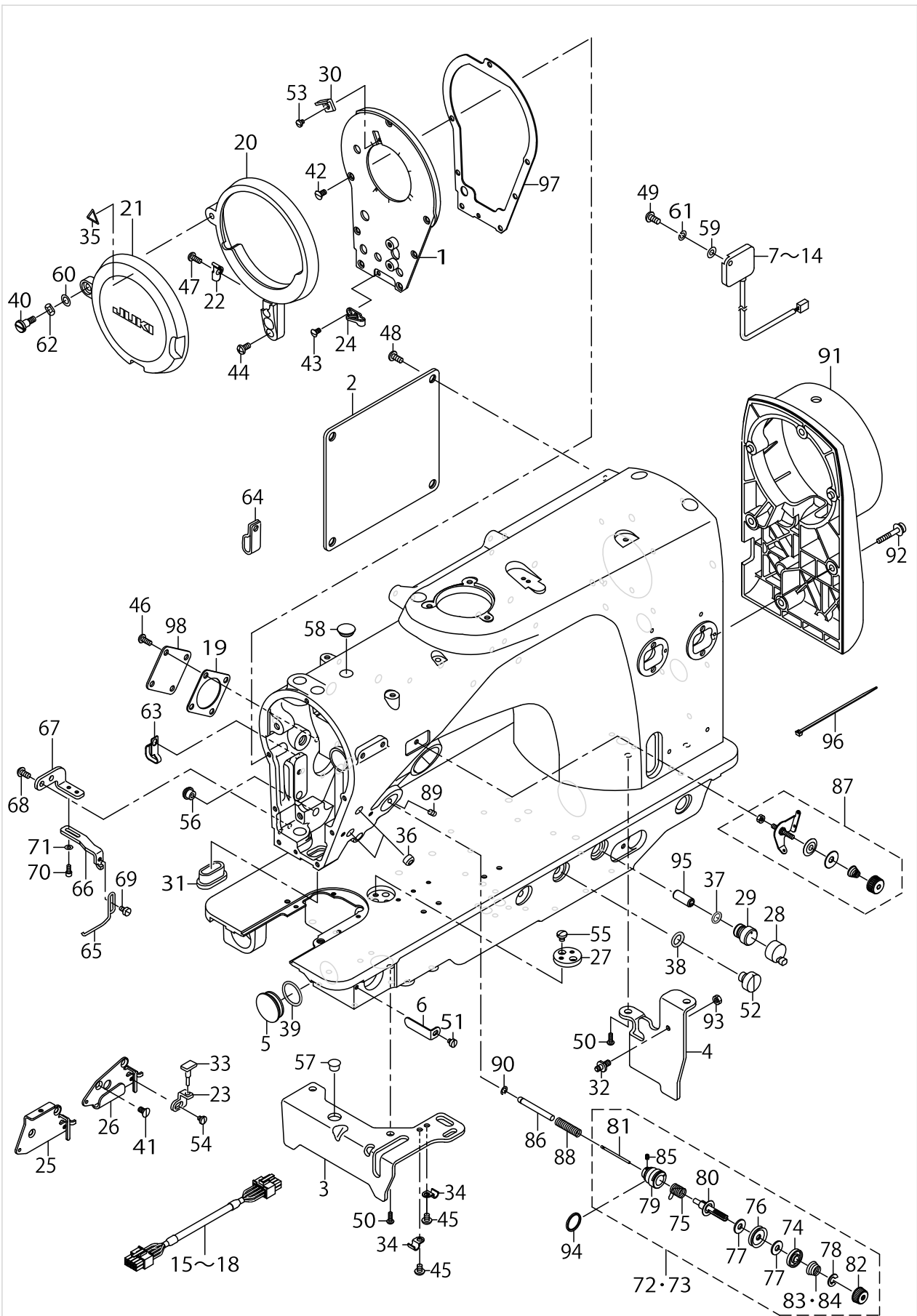
FRAME & MISCELLANEOUS COVER COMPONENTS (1)



FRAME & MISCELLANEOUS COVER COMPONENTS (1)

No.	Parts No.	Parts name	Remarks	Level	Cons	Qty
1	23500960	FACE PLATE COMPL.				1
2	23526205	SIDE PLATE				1
3	23526312	BED SUPPORT PLATE A				1
4	23526403	BED SUPPORT PLATE B				1
5	23527005	GEAR BOX (SMALL) CAP				1
6	23527104	GEAR BOX CAP PRESSER				1
7	M6099350CAF	RESISTANCE PACK CF ASM.	FOR LZ-2290SS VARIOUS NO-S.FOR DESTINATIONS			1
8	M6099350CAL	RESISTANCE PACK CL ASM.	FOR LZ-2290SS VARIOUS NO-S.FOR DESTINATIONS			1
9	M6096350CAF	RESISTANCE PACK CF ASM.	FOR LZ-2290SS-7 VARIOUS NOS.FOR DESTINATIONS			1
10	M6096350CAL	RESISTANCE PACK CL ASM.	FOR LZ-2290SS-7 VARIOUS NOS.FOR DESTINATIONS			1
11	M6095350CAA	RESISTANCE PACK CA ASM.	FOR LZ-2290SU-7 VARIOUS NOS.FOR DESTINATIONS			1
12	M6095350CAF	RESISTANCE PACK CF ASM.	FOR LZ-2290SU-7 VARIOUS NOS.FOR DESTINATIONS			1
13	M6098350CAF	RESISTANCE PACK CF ASM.	FOR LZ-2290SU VARIOUS NO-S.FOR DESTINATIONS			1
14	M6098350CAA	RESISTANCE PACK CA ASM.	FOR LZ-2290SU VARIOUS NO-S.FOR DESTINATIONS			1
15	M8520476BA0	PM RELAY CABLE B ASM.	FOR LZ-2290SS,LZ-2290SU			1
16	M8521476BA0	SW RELAY CABLE B ASM.	FOR LZ-2290SS,LZ-2290SU			1
17	M8520476AA0	PM RELAY CABLE A ASM.	FOR LZ-2290SS-7,LZ-2290SU-7			1
18	M8521476AA0	SW RELAY CABLE A ASM.	FOR LZ-2290SS-7,LZ-2290SU-7			1
19	22501704	GASKET	FOR LZ-2290SS,LZ-2290SU			1
20	22502009	BALANCE COVER BASE				1
21	22502108	BALANCE COVER				1
22	22502207	SPRING				1
23	22502702	SPRING GUARD				1
24	22503007	SPRING GUARD				1
25	22596605	BALANCE THREAD GUIDE T	FOR LZ-2290SS VARIOUS NO-S.FOR DESTINATIONS			1
26	22504104	BALANCE THREAD GUIDE A	VARIOUS NOS.FOR DESTINATIONS			1
27	22902605	RULER STOP SEAT				1
28	23601305	AIR-DISCHARGING CAP				1
29	23629900	AIR-DISCHARGING				1
30	10001709	TAKE-UP THREAD CUTTER				1
31	10000206	ARM OIL SHIELD				1
32	13747308	SUSPENSION SCREW				1
33	11043601	RUBBER STOPPER				1
34	B3538112000	OIL RETURN TUBE HOLDER				2
35	CM300200001	ATTENTION SEAL				1
36	GPR01015000	DRIVING STOPPER RUBBER				2
37	RO080150200	RUBBER RING				1
38	RO098240100	RUBBER RING				1
39	RO195240100	RUBBER RING				1
40	SD0640751SP	HINGE SCREW D= 6.35 H= 7.5				1
41	SS1110840SP	SCREW 11/64-40 L=8				2
42	SS1110840SP	SCREW 11/64-40 L=8				7
43	SS2090710TP	SCREW 9/64-40 L=7.2				1

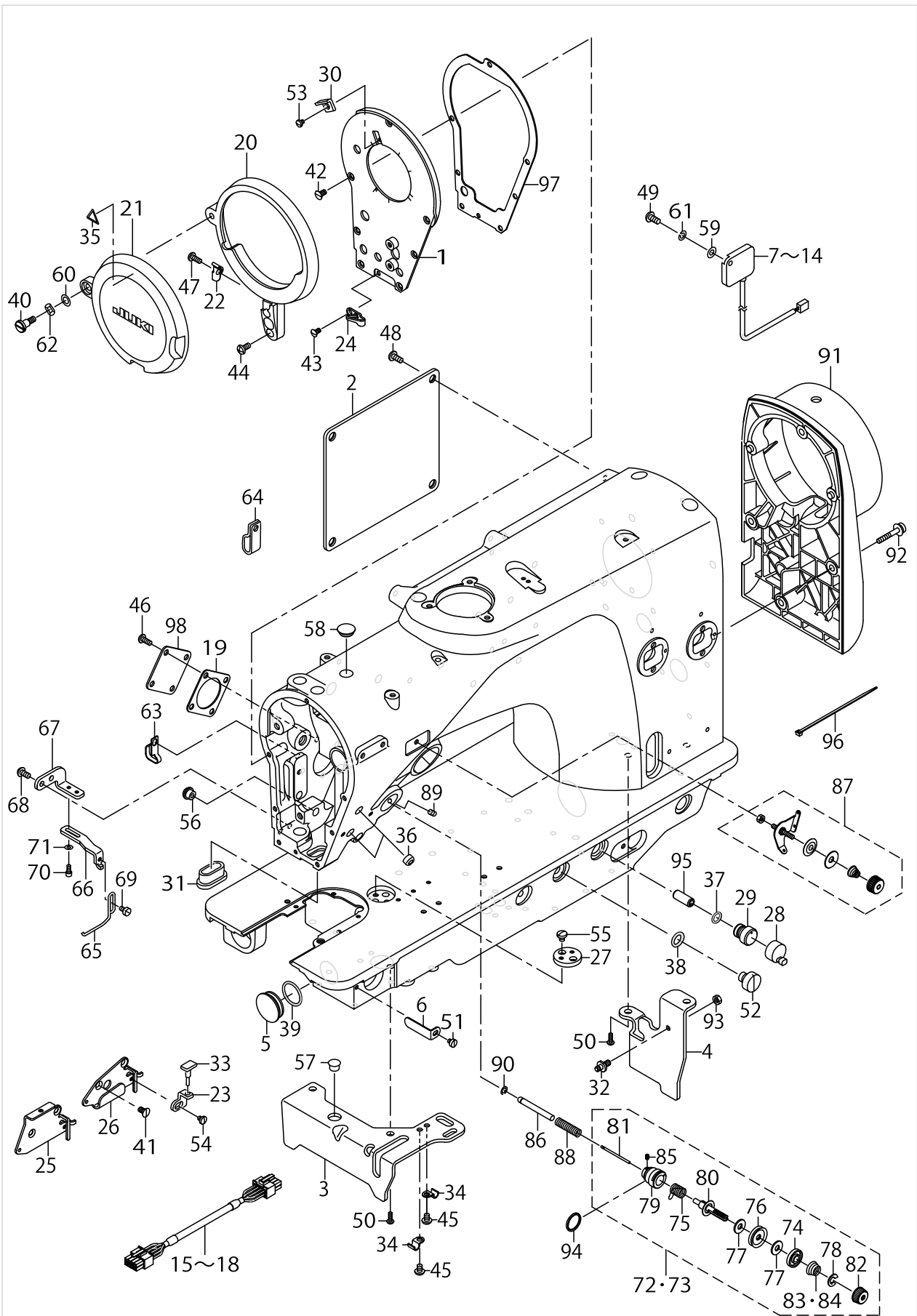
FRAME & MISCELLANEOUS COVER COMPONENTS (1)



FRAME & MISCELLANEOUS COVER COMPONENTS (1)

No.	Parts No.	Parts name	Remarks	Level	Cons	Qty
44	SS4110915SP	SCREW 11/64-40 L=9				2
45	SS4120615SP	SCREW 3/16-28 L=6				2
46	SS4121015SP	SCREW 3/16-28 L=10	FOR LZ-2290SS,LZ-2290SU			4
47	SS4120615SP	SCREW 3/16-28 L=6				1
48	SS4121015SP	SCREW 3/16-28 L=10				4
49	SS4121015SP	SCREW 3/16-28 L=10				1
50	SS4150915SP	SCREW 15/64-28 L=9				4
51	SS6090420SP	SCREW 9/64-40 L= 4.0				1
52	SS6700710SH	SCREW 5/16-24 L=7				1
53	SS7080410SP	SCREW 1/8-44 L= 3.8				1
54	SS7090410SP	SCREW 9/64-40 L= 3.5				1
55	SS7110540SP	SCREW 11/64-40 L=5				2
56	TA0800504R0	PLUG D=8 L=4.5				1
57	TA1250406R0	RUBBER PLUG D=12.5 L=4				1
58	TA1250406R0	RUBBER PLUG D=12.5 L=4				2
59	WP0501016SD	WASHER 5X10.5X1				1
60	WP0651056SD	WASHER 6.5X11X1				1
61	WS0510002KP	SPRING WASHER 5.1X9.2X1.3				1
62	WZ0641510KP	WAVED WASHER 6.4X11X0.3				1
63	13530001	UPPER SHAFT FRONT METAL OIL WI				1
64	D2112555B00	CORD HOLDER, LARGE				2
65	22529002	SUPPORT BALANCE	VARIOUS NOS.FOR DESTINATIONS			1
66	22529101	SUPPORT BALANCE BASE	VARIOUS NOS.FOR DESTINATIONS			1
67	22529200	MOUNTING BASE	VARIOUS NOS.FOR DESTINATIONS			1
68	SS4110915SP	SCREW 11/64-40 L=9	VARIOUS NOS.FOR DESTINATIONS			2
69	SS6090540SP	SCREW 9/64-40 L= 5.0	VARIOUS NOS.FOR DESTINATIONS			1
70	SS6580752TP	SCREW 1/8-40 L=7	VARIOUS NOS.FOR DESTINATIONS			2
71	WP03305000E	WASHER 3.3X6X0.5	VARIOUS NOS.FOR DESTINATIONS			2
72	23537558	THREAD TENSION ASM. A	VARIOUS NOS.FOR DESTINATIONS			1
73	23537954	THREAD TENSION ASM. B	VARIOUS NOS.FOR DESTINATIONS			1
74	10006005	TENSION DISC HOLDER		*		1
75	10006104	TAKE-UP SPRING		*		1
76	22528350	THREAD TENSION DISK COMPL.		*		1
77	22528509	FELT		*		4
78	22921407	ROTATION STOPPER		*		1
79	23537657	THREAD TENSION ROD BASE ASM.		*		1
80	23537756	THREAD TENSION ROD COMPL.		*		1
81	23537806	THREAD RELEASE PIN		*		1
82	23626005	THREAD TENSION NUT		*		1
83	B3121352000	TENSION SPRING	VARIOUS NOS.FOR DESTINATIONS	*		1
84	B3129012A00	TENSION SPRING	VARIOUS NOS.FOR DESTINATIONS	*		1
85	SS8090670SP	SCREW 9/64-40 L= 5.5		*		1
86	23538002	THREAD RELEASE AUXILIARY PIN				1

FRAME & MISCELLANEOUS COVER COMPONENTS (1)

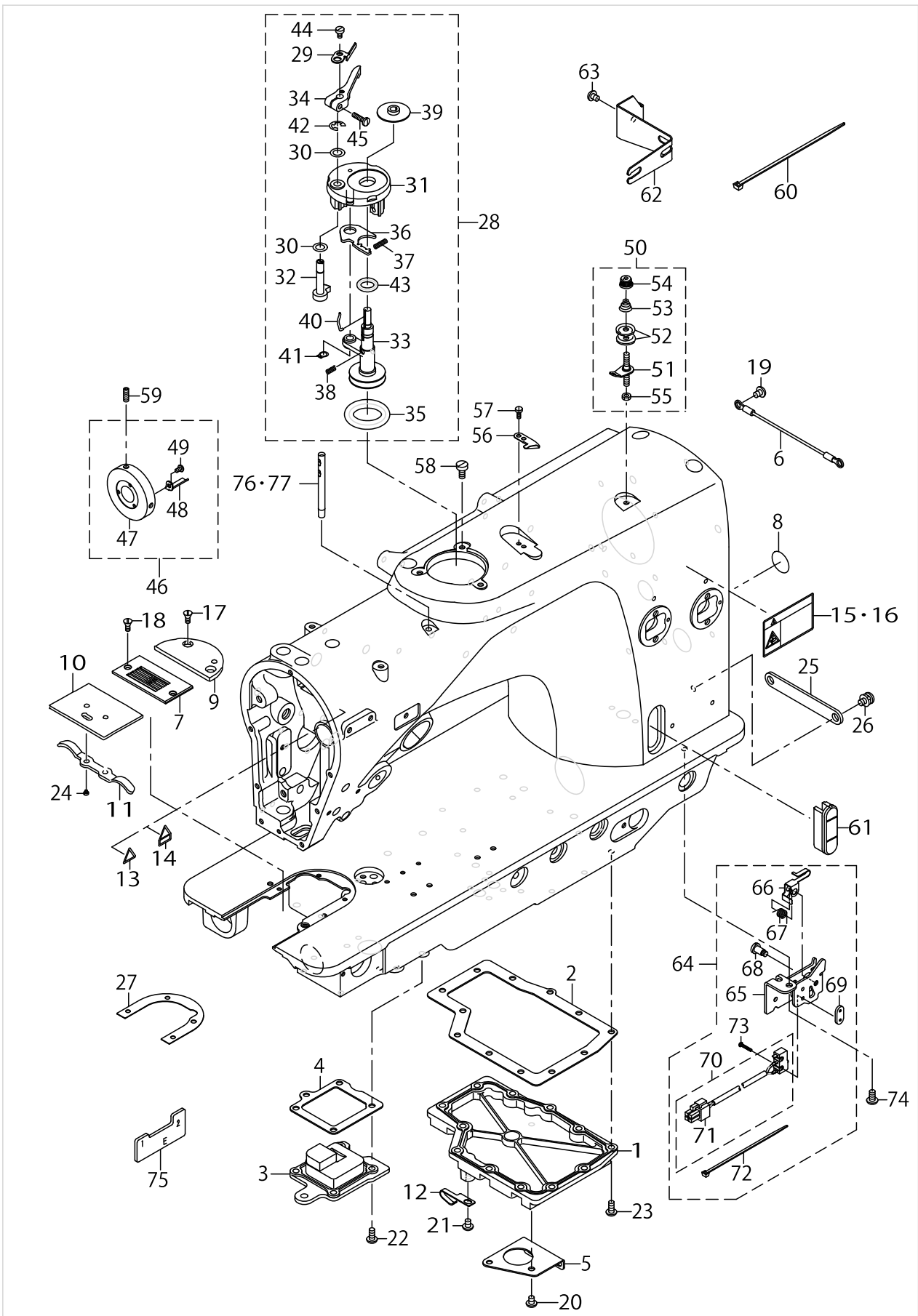


FRAME & MISCELLANEOUS COVER COMPONENTS (1)

No.	Parts No.	Parts name	Remarks	Level	Cons	Qty
87	22528764	PRE-TENSION CONTROLLER ASM.				1
88	11018405	THREAD RELEASE PIN SPRING				1
89	SS8110750SP	SCREW 11/64-40 L= 6.5				1
90	RE0400000K0	E-RING 4				1
91	23600604	PULLEY COVER				1
92	SL6052592TN	BOLT				4
93	NS6110350SP	NUT 11/64-40				1
94	RO137230100	RUBBER RING				1
95	PS0800202KH	SPRING PIN 8X20				1
96	EA9500B0100	CABLE BAND				1
97	23527401	FACE PLATE PACKING				1
98	22501605	THREAD RELEASE WINDOW PLATE	FOR LZ-2290SS,LZ-2290SU			1



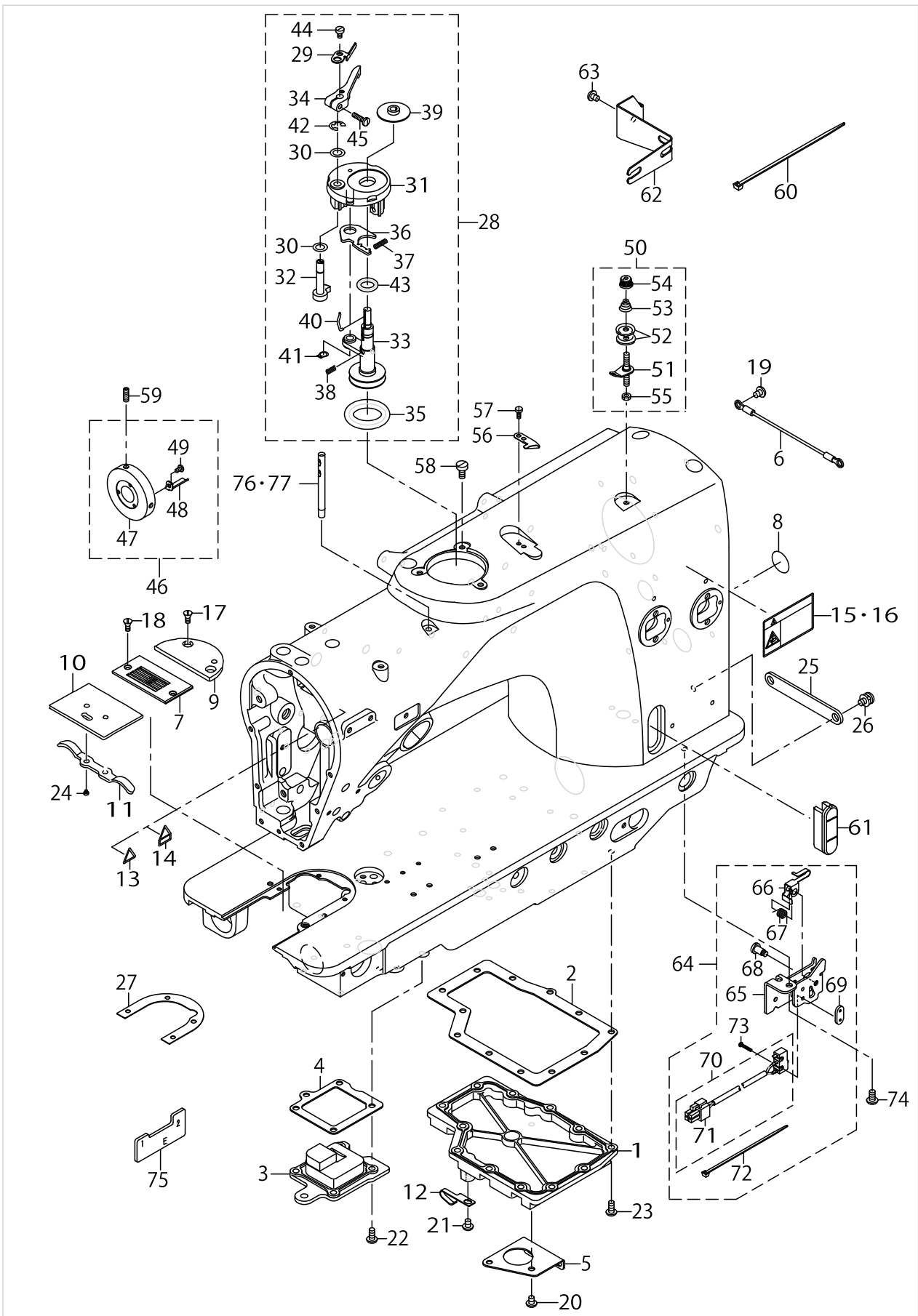
FRAME & MISCELLANEOUS COVER COMPONENTS (2)



FRAME & MISCELLANEOUS COVER COMPONENTS (2)

No.	Parts No.	Parts name	Remarks	Level	Cons	Qty
1	23526502	GEAR BOX (LARGE) COVER				1
2	23526601	GEAR BOX (LARGE) PACKING				1
3	23526700	GEAR BOX (SMALL) COVER				1
4	23526809	GEAR BOX (SMALL) PACKING				1
5	23527203	PIPE GUIDE PLATE				1
6	M8524476AA0	GROUND WIRE A ASM.				1
7	22582407	NEEDLE PLATE				1
8	10004109	GROUND MARK				1
9	10004208	BED PLATE				1
10	10004307	BED SLIDE				1
11	11001609	BED SLIDE SPRING				1
12	13530209	LUBRICATING OIL WICK STOPPER				1
13	CM300200001	ATTENTION SEAL	VARIOUS NOS.FOR DESTINATIONS			1
14	CM3002000A1	CAUTION LABEL(16)	VARIOUS NOS.FOR DESTINATIONS			1
15	CM300200101	SAFETY LABEL, 1(SMALL).	VARIOUS NOS.FOR DESTINATIONS			1
16	CM3002001A1	SAFETY LABEL..3 (SMALL).	VARIOUS NOS.FOR DESTINATIONS			1
17	SS2090710SP	SCREW 9/64-40 L=7				2
18	SS2090810SP	SCREW 9/64-40 L= 7.5				2
19	SS4120615SP	SCREW 3/16-28 L=6				1
20	SS4120615SP	SCREW 3/16-28 L=6				1
21	SS4120615SP	SCREW 3/16-28 L=6				1
22	SS4121015SP	SCREW 3/16-28 L=10				4
23	SS4121015SP	SCREW 3/16-28 L=10				12
24	SS6060210SP	SCREW 3/32-56 L= 1.9				2
25	23639602	CONNECTING ROD				1
26	SL4051091SC	SCREW M5X0.8 L=10				2
27	22503908	SPACER	FOR LZ-2290SU-7			1
28	23527559	BOBBIN DEVICE ASM.				1
29	23527500	BOBBIN ADJUSTING PLATE		*		1
30	E5168172000	WASHER		*		2
31	22537658	BOBBIN FITTING BASIS COMPL.		*		1
32	22538151	BOBBIN CAM SHAFT COMPL.		*		1
33	23636053	BOBBIN WINDER SHAFT COMPL.		*		1
34	23636202	BOBBIN LEVER		*		1
35	23636301	RING		*		1
36	22538409	ADJUSTING PLATE		*		1
37	B1148555000	SPRING		*		1
38	B152989000CA	PRESSUR FOOT SPRING		*		1
39	B3205210000	CUSHION		*		1
40	B3212761000	LATCH SPRING		*		1
41	RC0560711KP	RETAINING RING		*		1
42	RE0500000K0	E-RING		*		1
43	RO092270200	RUBBER RING		*		1
44	SS6090520SP	SCREW 9/64-40 L= 5.0		*		1
45	SS7091410SP	SCREW 9/64-40 L=13.5		*		1

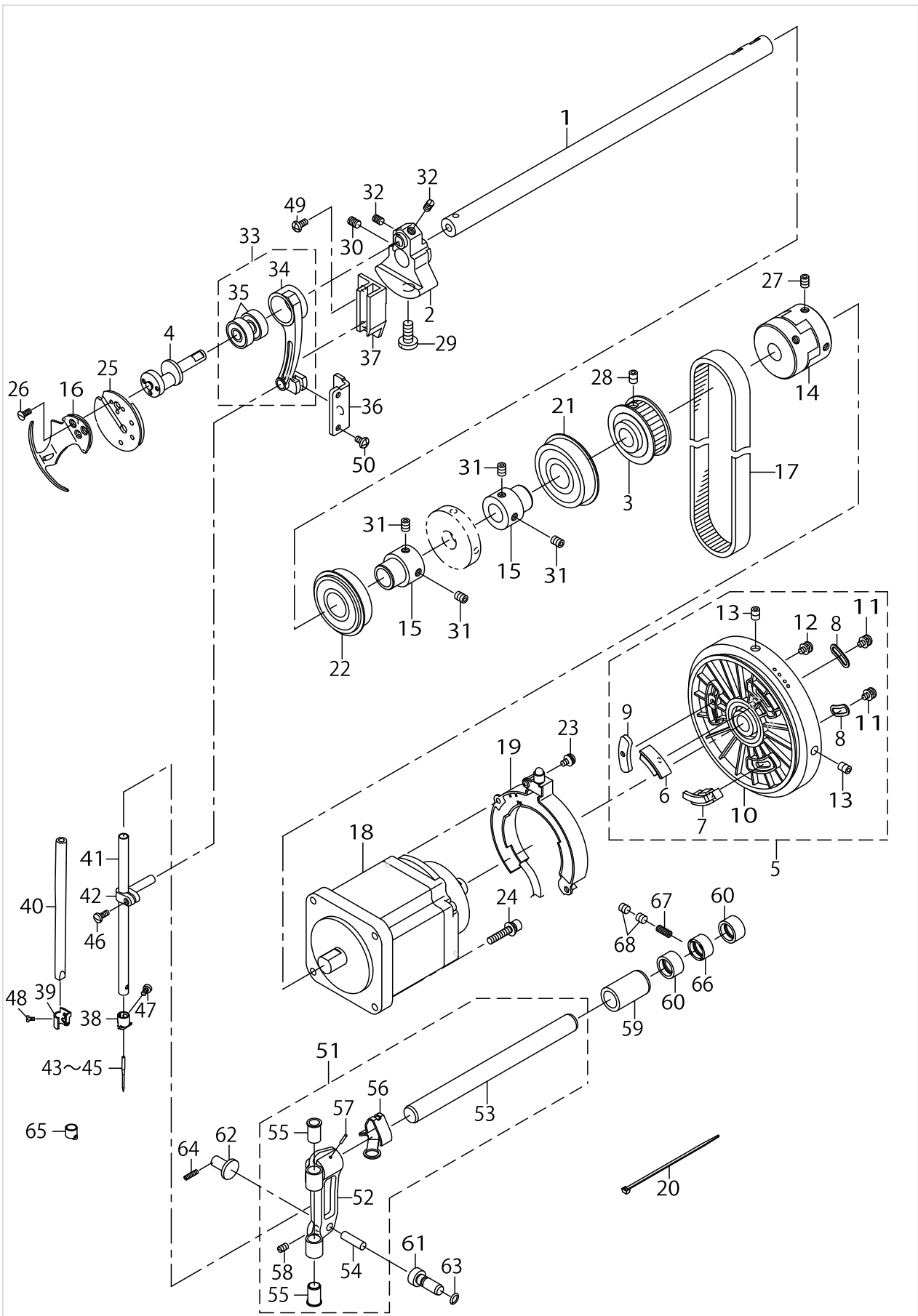
FRAME & MISCELLANEOUS COVER COMPONENTS (2)



FRAME & MISCELLANEOUS COVER COMPONENTS (2)

No.	Parts No.	Parts name	Remarks	Level	Cons	Qty
46	23528557	BOBBIN DRIVING WHEEL ASM.				1
47	23528508	BOBBIN DRIVING WHEEL		*		1
48	23528607	BOBBIN DRIVING WHEEL BLADE		*		3
49	SM4030501SN	SCREW M3 L=5		*		3
50	22529481	BOBBIN THREAD TENSION ASM.				1
51	22529473	BOBBIN THREAD TENSION ROD ASM.		*		1
52	B3214047000	BOBBIN WINDER TENSION DISC		*		2
53	11093606	THREAD TENSION SPRING		*		1
54	11072402	THREAD TENSION NUT		*		1
55	NS6110310SP	NUT 11/64-40		*		1
56	10502300	THREAD CUTTER				1
57	SS6090620TP	SCREW				2
58	SS6121030SN	SCREW 3/16-28 L=10				3
59	SS8111251SP	SCREW 11/64-40 L=12.0				2
60	EA9500B0200	CABLE BAND 150				1
61	23629108	OIL SIGHT WINDOW				1
62	23539901	HEAD LUBRICATION PIPE STOPPER				1
63	SS4120915SP	SCREW 3/16-28 L=9				1
64	23541352	SAFETY SWITCH ASM.				1
65	23541303	SAFETY SWITCH BASE		*		1
66	23638109	SAFETY SWITCH ARM		*		1
67	23638208	SAFETY SWITCH SPRING		*		1
68	23638307	SAFETY SWITCH ARM SHAFT		*		1
69	23638406	SAFETY SWITCH STOPPER PLATE		*		1
70	23541451	SAFETY SWITCH CORD ASM.		*		1
71	HK034610060	HOUSING 6P		*		1
72	EA9500B0100	CABLE BAND		*		1
73	SM4021201SC	SCREW M2 L=12		*		2
74	SS4120915SP	SCREW 3/16-28 L=9				2
75	22536502	TIMING GAUGE E				1
76	B1114012000	THREAD GUIDE PIN	FOR LZ-2290SS,LZ-2290SU			1
77	22502504	THREAD GUIDE BAR	FOR LZ-2290SS-7,LZ-2290SU-7			1

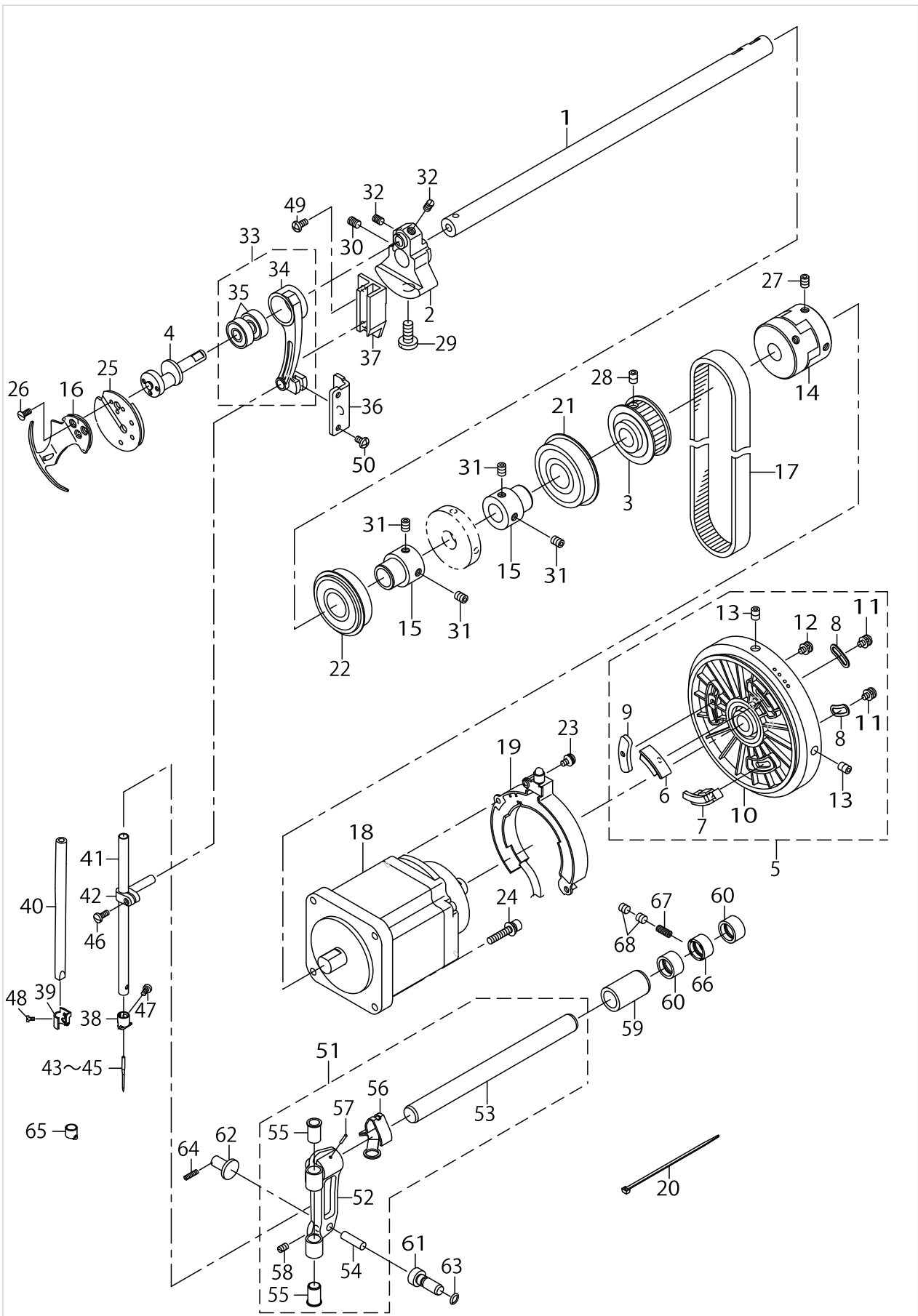
MAIN SHAFT & THREAD TAKE-UP & NEEDLE BAR COMPONENTS



MAIN SHAFT & THREAD TAKE-UP & NEEDLE BAR COMPONENTS

No.	Parts No.	Parts name	Remarks	Level	Cons	Qty
1	23527906	UPPER SHAFT				1
2	23527807	COUNTER WEIGHT				1
3	23528003	UPPER SHAFT SPROCKET				1
4	23528102	NEEDLE ROD CRANK				1
5	23528250	HAND WHEEL ASM.				1
6	23528359	MAGNET FITTING BASE COMPL. U		*		1
7	23528458	MAGNET FITTING BASE COMPL. D		*		1
8	23605009	HAND WHEEL WASHER		*		2
9	23604804	BALANCE PLATE		*		1
10	23528201	HAND WHEEL		*		1
11	SL4040881SC	SCREW M4 L=8		*		2
12	SL4040881SC	SCREW M4 L=8		*		1
13	SM8060812TP	SCREW M6 L=8		*		2
14	23604309	COUPLING				1
15	23604200	MAIN SHAFT BEARING SUPPORT				2
16	22506208	BALANCE V				1
17	22505705	TIMING BELT				1
18	M6001471AA0	MOTOR A ASM.				1
19	M68014710A0	SYNC ASM.				1
20	EA9500B0100	CABLE BAND				1
21	SB120000800	BEARING				1
22	SB120000900	BEARING				1
23	SL4040881SC	SCREW M4 L=8				2
24	SL6052592TN	BOLT				4
25	10008753	TAKE-UP COUNTERWEIGHT ASM.				1
26	SS1090930SP	SCREW 9/64-40 L=8.6				3
27	SM8060812TP	SCREW M6 L=8				4
28	SM8060812TP	SCREW M6 L=8				2
29	SS7681650TP	SCREW 9/32-28 L=16				1
30	SS8680730SP	SCREW 9/32-28 L=7				1
31	SM8060812TP	SCREW M6 L=8				8
32	SS8660610TP	SCREW 1/4-40 L=6				2
33	23528755	NEEDLE ROD CRANK ROD ASM.				1
34	23528706	NEEDLE ROD CRANK ROD		*		1
35	SB108000400	BUSHING		*		2
36	23528805	NEEDLE ROD CRANK ROD GUIDE				1
37	23528904	NEEDLE ROD HOLDER GUIDE				1
38	22507909	NEEDLE ROD THREAD RACK	VARIOUS NOS.FOR DESTINATIONS			1
39	22507404	THREAD RACK	VARIOUS NOS.FOR DESTINATIONS			1
40	22507503	NEEDLE ROD	VARIOUS NOS.FOR DESTINATIONS			1
41	22507800	NEEDLE ROD	VARIOUS NOS.FOR DESTINATIONS			1
42	22507305	NEEDLE BAR CONNECTION				1
43	MC2005F0700	NEEDLE 134SUK 70	VARIOUS NOS.FOR DESTINATIONS			1
44	MC192300750	NEEDLE 438 #75	VARIOUS NOS.FOR DESTINATIONS			1
45	MDP500B1000	NEEDLE DPX5 #10	VARIOUS NOS.FOR DESTINATIONS			1
46	SS7090910TP	SCREW 9/64-40 L= 8.5				1
47	SS7080520SP	SCREW 1/8-44 L=4.9				1

MAIN SHAFT & THREAD TAKE-UP & NEEDLE BAR COMPONENTS

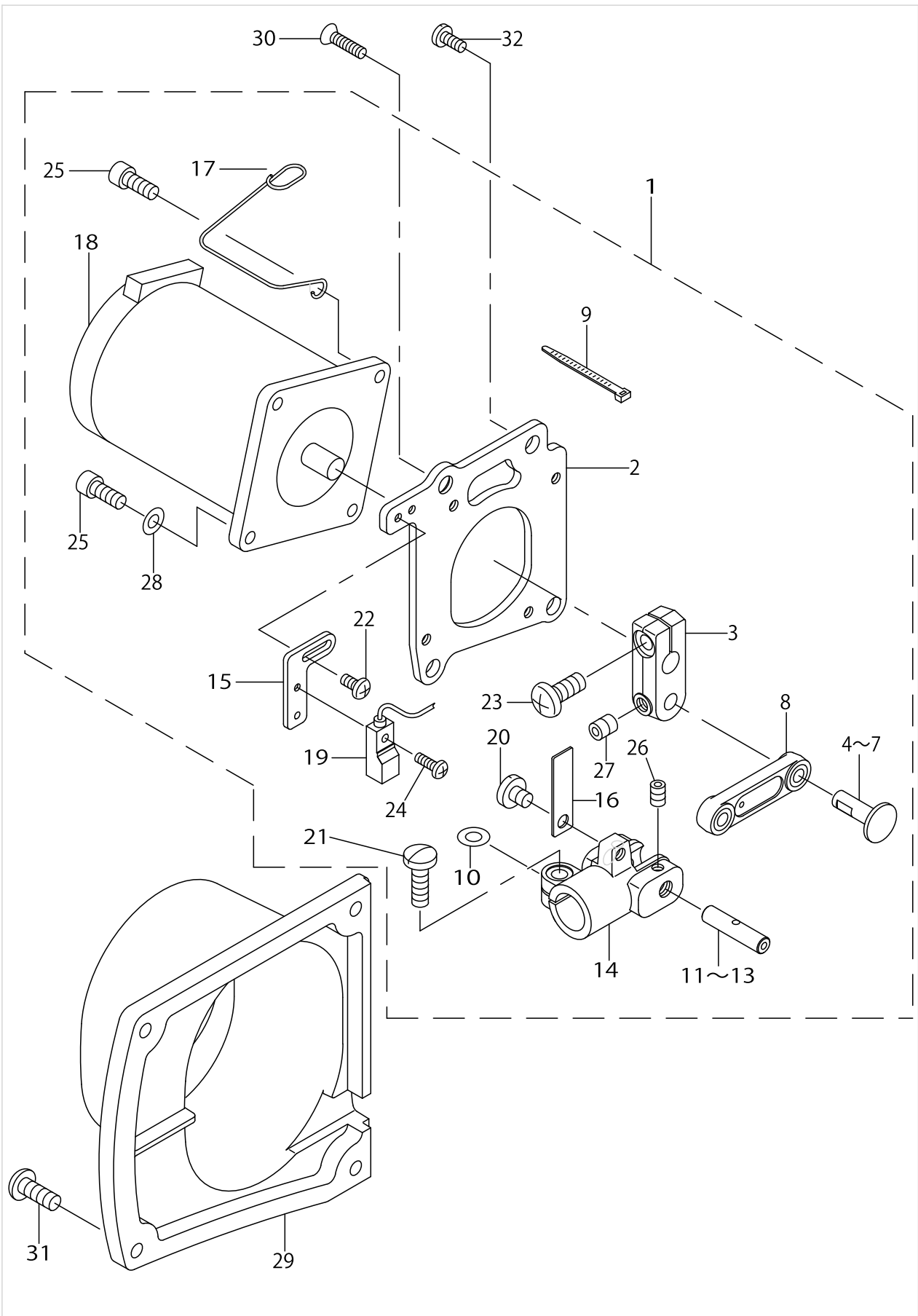


MAIN SHAFT & THREAD TAKE-UP & NEEDLE BAR COMPONENTS

No.	Parts No.	Parts name	Remarks	Level	Cons	Qty
48	SS7060310SP	SCREW 3/32-56 L=3	VARIOUS NOS.FOR DESTINATIONS			1
49	SS4110915SP	SCREW 11/64-40 L=9				2
50	SS4110715SP	SCREW 11/64-40 L=7				2
51	23529159	NEEDLE ROD SUPPORT BASE ASM.				1
52	23529100	NEEDLE ROD SUPPORT BASE		*		1
53	23529209	NEEDLE ROD SUPPORT BASE SHAFT		*		1
54	23529308	SUPPORT BASE GUIDE SHAFT		*		1
55	23529506	NEEDLE ROD METAL		*		2
56	23529407	NEEDLE ROD SUPPORT BASE FELT		*		1
57	PS0400222K0	SPRING PIN		*		1
58	SS8120740SP	SCREW 3/16-28 L=7		*		1
59	23529803	SUPPORT BASE SHAFT FRONT METAL				1
60	23531114	SUPPORT BASE SHAFT REAR METAL				2
61	23529605	SUPPORT BASE GUIDE PIN A				1
62	23529704	SUPPORT BASE GUIDE PIN B				1
63	RO037180100	RUBBER RING				1
64	SS8151230SP	SCREW 15/64-28 L=12				1
65	22507701	THRED RACK, RIGHT	FOR LZ-2290SS-7-WB, LZ-2290SU-7-WB VARIOUS NOS.FOR DESTINATIONS			1
66	23531213	SUPPORT BASE SHAFT FRONT METAL				1
67	22683809	SPRING				1
68	SS8660612TP	SCREW 1/4-40 L=6				2



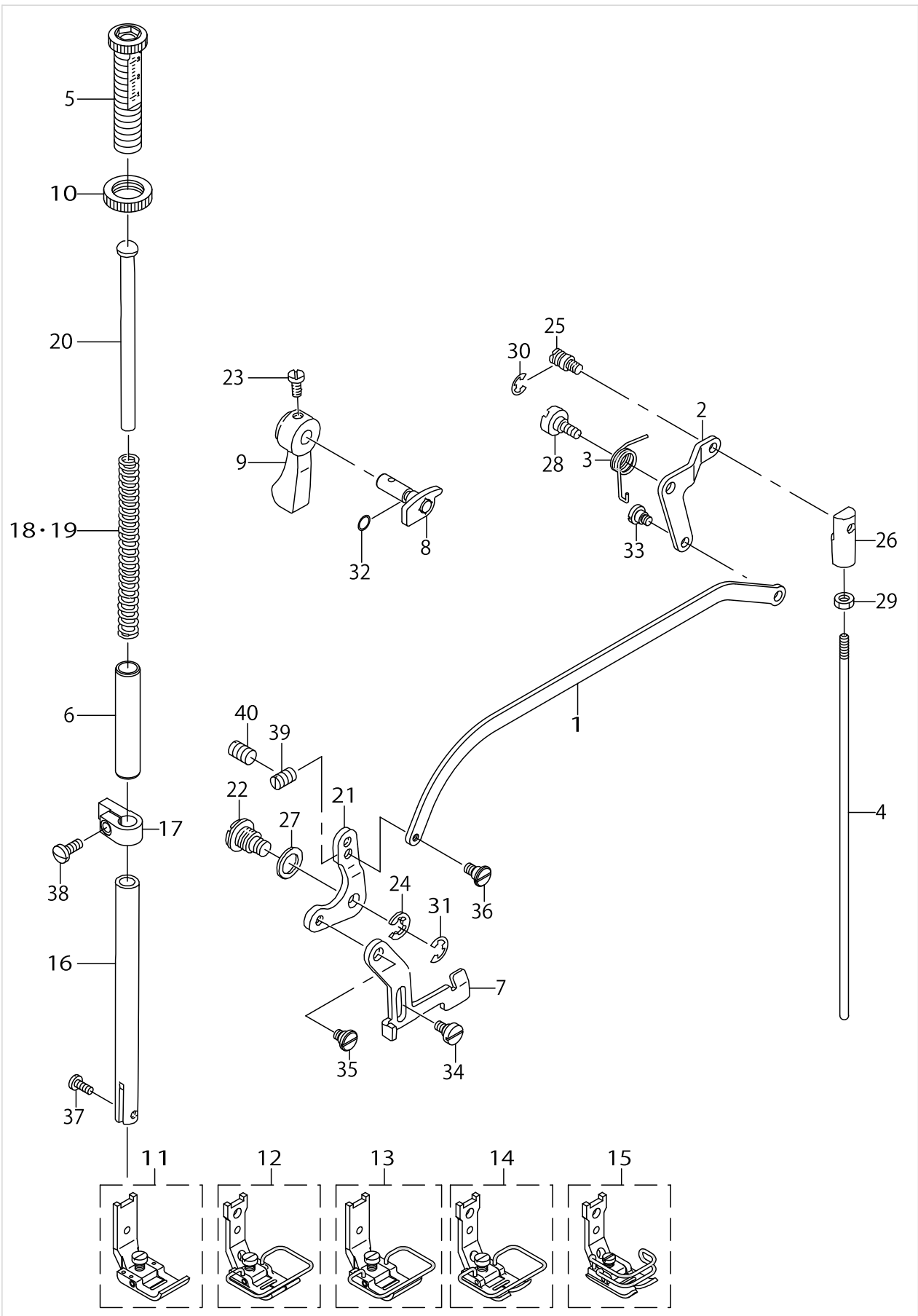
NEEDLE VIBRATOR COMPONENTS



NEEDLE VIBRATOR COMPONENTS

No.	Parts No.	Parts name	Remarks	Level	Cons	Qty
1	23530066	NEEDLE VIBRATOR UNIT				1
2	23530009	NEEDLE VIBRATOR UNIT BASIS		*		1
3	23530116	MOTOR LINK		*		1
4	23544109	JUNCTION SHAFT A	SELECTIVE PART	*		1
5	23544208	JUNCTION SHAFT B	SELECTIVE PART	*		1
6	23544307	JUNCTION SHAFT C	SELECTIVE PART	*		1
7	23544802	JUNCTION SHAFT D	SELECTIVE PART	*		1
8	23530355	SHAFT CONNECTION LINK ASM.		*		1
9	EA9500B0100	CABLE BAND		*		2
10	WP0520656SA	WASHER 5.2X9.5X0.6		*		1
11	23544406	SHAFT CONNECTION PIN A	SELECTIVE PART	*		1
12	23544505	SHAFT CONNECTION PIN B	SELECTIVE PART	*		1
13	23544604	SHAFT CONNECTION PIN C	SELECTIVE PART	*		1
14	23530611	SUPPORT BASE SHAFT CONNECTION		*		1
15	23530702	SENSOR FITTING PLATE		*		1
16	23530801	SENSOR SLIT		*		1
17	23531007	CORD CLAMP		*		1
18	KM000000350	PULSE MOTOR		*		1
19	M8523476AA0	ZERO SENSOR A ASM.		*		1
20	SS7110510SP	SCREW 11/64-40 L=5		*		1
21	SS7121410TP	SCREW 3/16-28 L=14		*		1
22	SM4030655SP	SCREW		*		2
23	SM4051255SP	SCREW.,M5 L=12.		*		1
24	SM4860801SN	SCRER M2.6 L=8		*		1
25	SM6041002TP	SCREW M4 L=10		*		4
26	SM8040612TP	SCREW M4 L=6		*		2
27	SM8050612TP	SCREW M5X6		*		1
28	WP0482016SZ	WASHER		*		2
29	23530900	NEEDLE VIBRATOR UNIT COVER				1
30	SS1151310TP	SCREW				1
31	SS4121215SP	SCREW 3/16-28 L=12				4
32	SS7150740SP	SCREW 15/64-28 L=7				3

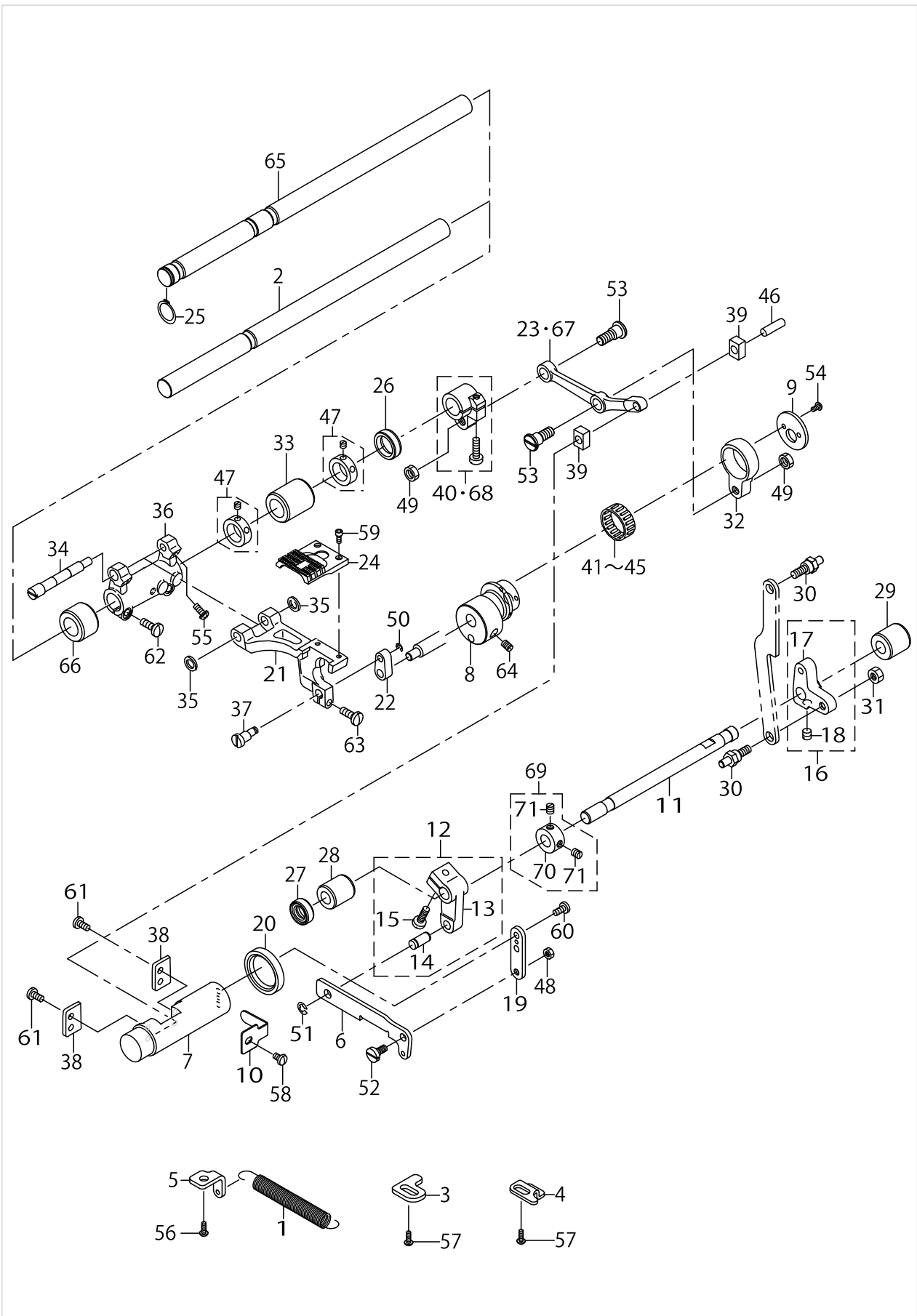
HAND LIFTER COMPONENTS



HAND LIFTER COMPONENTS

No.	Parts No.	Parts name	Remarks	Level	Cons	Qty
1	23531304	KNEE LIFTING SIDE ROD LINK				1
2	23531403	KNEE LIFTING LINK				1
3	23531502	KNEE LIFTING LINK SPRING				1
4	23531601	KNEE LIFTING JUNCTION ROD				1
5	23609209	PRESSER SPRING REGULATOR				1
6	23609001	BUSHING				1
7	22515506	LIFTING LEVER				1
8	22515357	HAND LIFTER CAM COMPL.				1
9	11071800	HAND LIFTER				1
10	11071701	NUT				1
11	10055051	PRESSER FOOT ASM.	FOR LZ-2290SS,LZ-2290SS-7-OB VARIOUS NOS.FOR DESTINATIONS			1
12	22584965	PRESSER FOOT ASM.	FOR LZ-2290SS,LZ-2290SS-7 VA- RIOUS NOS.FOR DESTINATIONS			1
13	22580864	PRESSER ASM.	FOR LZ-2290SS-7-OB VARIOUS NOS.FOR DESTINATIONS			1
14	23503154	PRESSER ASM.	FOR LZ-2290SU,LZ-2290SU-7 VA- RIOUS NOS.FOR DESTINATIONS			1
15	23503162	PRESSER ASM.	FOR LZ-2290SU,LZ-2290SU-7 VA- RIOUS NOS.FOR DESTINATIONS			1
16	10022010	PRESSER BAR				1
17	10022309	PRESSER BAR GUIDE BRACKET				1
18	B1505227T00A	PRESSER SPRING T	VARIOUS NOS.FOR DESTINATIONS			1
19	22907406	PRESSER SPRING	VARIOUS NOS.FOR DESTINATIONS			1
20	B1510227000	PRESSER GUIDE BAR				1
21	B1516552000	LIFTING LEVER LINK				1
22	B1517552000	HINGE PIN				1
23	B1521555000	SCREW				1
24	B1523226000	SNAP RING				1
25	B3416552000	CONNECTING ROD HINGE SCREW				1
26	B3416555000	SWIVEL				1
27	B3431581000	LIFTING LEVER GASKET				1
28	GAK33041000	KNEE LIFTING LINK STEP-SCREW				1
29	NS6620310SP	NUT 3/16-32				1
30	RE0500000K0	E-RING				1
31	RE0600000K0	E-RING 6				1
32	RO037180100	RUBBER RING				1
33	SD0600341TP	HINGE SCREW D=6.0 H=3.4				1
34	SD0630275SP	HINGE SCREW D= 6.35 H= 2.7				1
35	SD0630301SP	HINGE SCREW D=6.35 H=3				1
36	SD0630371SP	HINGE SCREW				1
37	SS7090910TP	SCREW 9/64-40 L= 8.5				1
38	SS7111110TP	SCREW 11/64-40 L=10.5				1
39	SS8150510TP	SCREW 15/64-28 L= 4.7				1
40	SS8151720SP	SCREW				1

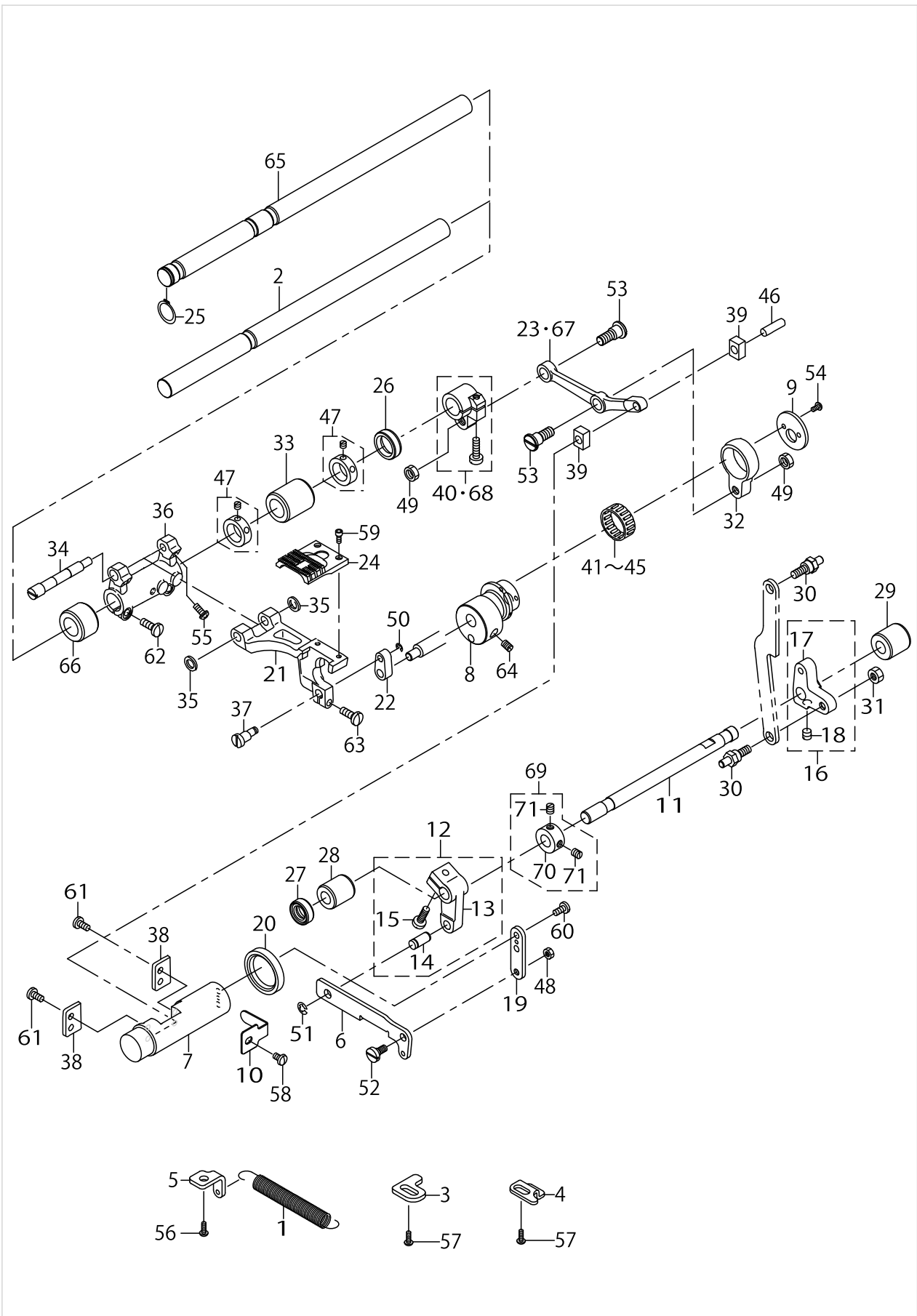
FEED MECHANISM COMPONENTS (1)



FEED MECHANISM COMPONENTS (1)

No.	Parts No.	Parts name	Remarks	Level	Cons	Qty
1	23532500	FEED ADJUSTING SPRING				1
2	23531908	HORIZONTAL FEED SHAFT	FOR LZ-2290SS,LZ-2290SS-7			1
3	23532906	REGULATE PLATE				1
4	23533003	REGULATE PLATE				1
5	23532609	FEED SPRING RACK				1
6	23532807	FEED REVERSAL LINK				1
7	23532104	FEED ADJUSTING				1
8	23532302	HORIZONTAL FEED CAM				1
9	23532401	HORIZONTAL FEED CAM COVER				1
10	23532203	FEED ADJUSTING PRESSER				1
11	23533201	FEED CHANGE SHAFT				1
12	23533151	FEED CHANGE ARM A ASM.				1
13	23533102	FEED CHANGE ARM A		*		1
14	22910509	FEED ADJUSTING LINK PIN		*		1
15	SS7121410TP	SCREW 3/16-28 L=14		*		1
16	23533359	FEED CHANGE ARM B ASM.				1
17	23533300	FEED CHANGE ARM B		*		1
18	SS8660612TP	SCREW 1/4-40 L=6		*		1
19	23532708	FEED ADJUSTING ARM				1
20	23532005	FEED ADJUSTING OIL SEAL				1
21	22519714	FEED BASE	FOR LZ-2290SS,LZ-2290SS-7			1
22	22520001	LINK				1
23	22541007	CONNECTING ROD	FOR LZ-2290SS,LZ-2290SS-7			1
24	22581508	FEED DOG				1
25	RC0150001KP	RETAINING RING 13.8	FOR LZ-2290SU,LZ-2290SU-7			1
26	22888002	OIL SEAL				1
27	23612609	FEED CHANGING SHAFT OIL SEAL				1
28	23612807	METAL,A				1
29	23612906	METAL,B				1
30	23613102	FEED CHANGING SHAFT ARM B PIN				2
31	NS6150310SP	NUT 15/64-28				1
32	10026805	ROD				1
33	23616709	FEED ROCKER SHAFT METAL				1
34	10026110	FEED BASE SHAFT	FOR LZ-2290SS,LZ-2290SS-7			1
35	10026201	SPACER	FOR LZ-2290SS,LZ-2290SS-7			2
36	10026300	FEED ROCKER	FOR LZ-2290SS,LZ-2290SS-7			1
37	10026516	LINK SHAFT				1
38	10027308	PLATE A				2
39	10029619	FEED DRIVING ROCKER BLOCK				2
40	B16085550A0	FEED ROCKER SHAFT CRANK ASM.	FOR LZ-2290SS,LZ-2290SS-7			1
41	B1609804A00	BUSHING	SELECTIVE PART			1
42	B1609804B00	NEEDLE BEARING	SELECTIVE PART			1
43	B1609804C00	BEARING	SELECTIVE PART			1
44	B1609804D00	BEARING	SELECTIVE PART			1
45	B1609804E00	BEARING	SELECTIVE PART			1
46	B1653470000	PIN				1
47	CS1470710SH	THRUST COLLAR ASM. D=14.72 W=7				2

FEED MECHANISM COMPONENTS (1)

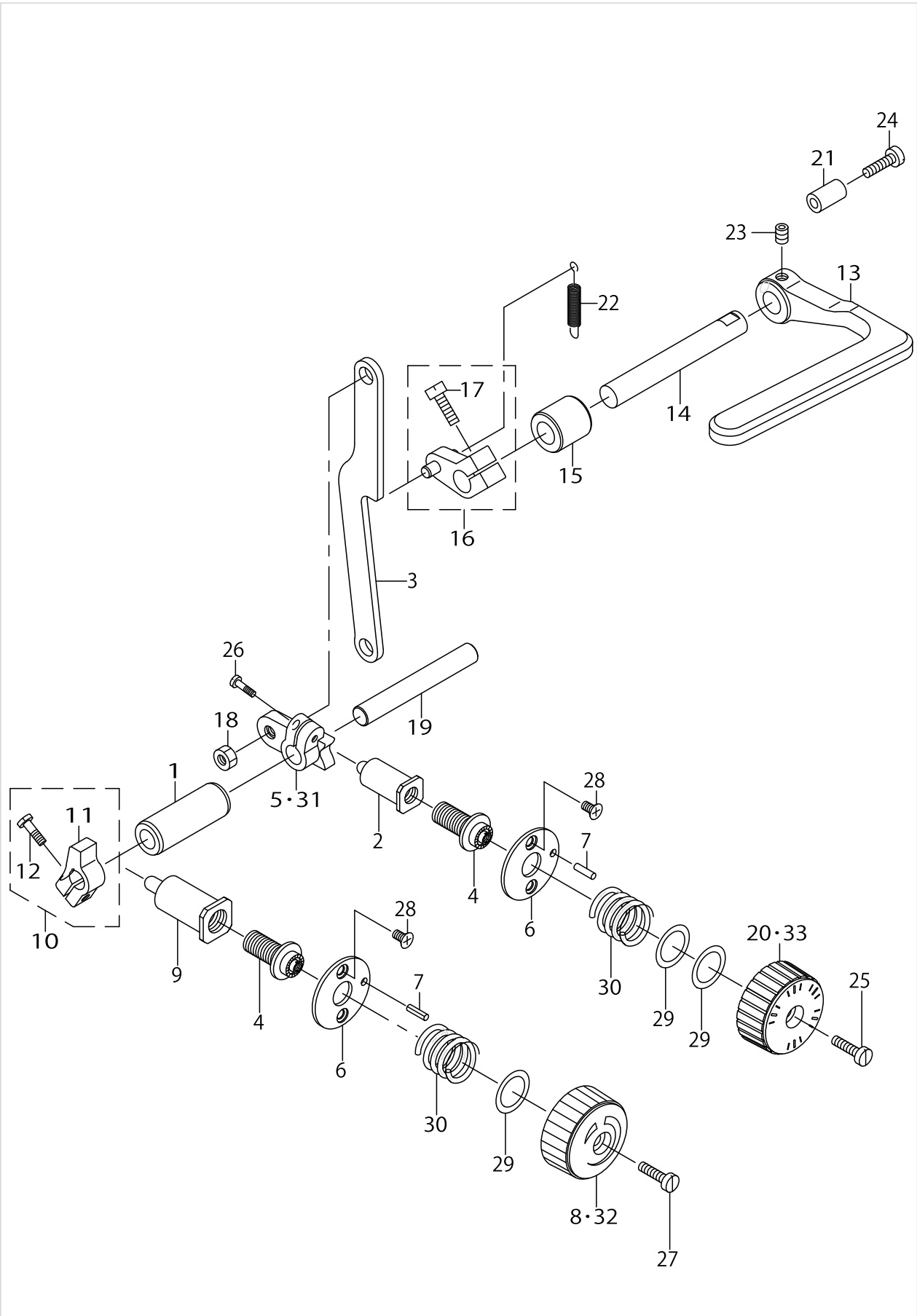


FEED MECHANISM COMPONENTS (1)

No.	Parts No.	Parts name	Remarks	Level	Cons	Qty
48	NS6120310SP	NUT 3/16-28				1
49	NS6680410SP	NUT 9/32-28				2
50	RE0300000K0	E-RING 3				1
51	RE0500000K0	E-RING				1
52	SD0600321SP	HINGE SCREW D=6 H=3.2				1
53	SD0900701TP	HINGE SCREW D= 9 H= 7				2
54	SS4080610SP	SCREW 1/8-44 L=6.4				2
55	SS4120915SP	SCREW 3/16-28 L=9	FOR LZ-2290SS,LZ-2290SS-7			2
56	SS4150915SP	SCREW 15/64-28 L=9				1
57	SS4150915SP	SCREW 15/64-28 L=9				2
58	SS5110710SP	SCREW 11/64-40 L=7				1
59	SS6580752TP	SCREW 1/8-40 L=7				2
60	SS7110910TP	SCREW 11/64-40 L= 8.5				2
61	SS7110910TP	SCREW 11/64-40 L= 8.5				4
62	SS7121410TP	SCREW 3/16-28 L=14				2
63	SS7121410TP	SCREW 3/16-28 L=14				1
64	SS8660810TP	SCREW 1/4-40 L=8				2
65	23545205	HORIZONTAL FEED SHAFT U	FOR LZ-2290SU,LZ-2290SU-7			1
66	23545304	HORIZONTAL FEED SHAFT METAL B	FOR LZ-2290SU,LZ-2290SU-7			1
67	10027001	CONNECTING ROD	FOR LZ-2290SU,LZ-2290SU-7			1
68	10027100	FEED ROCKER SHAFT CRANK	FOR LZ-2290SU,LZ-2290SU-7			1
69	CS100081CSP	THRUST COLLAR ASM.				1
70	CS1000811SP	THRUST COLLAR		*		1
71	SS8110520TP	SCREW 11/64-40 L= 4.5		*		2



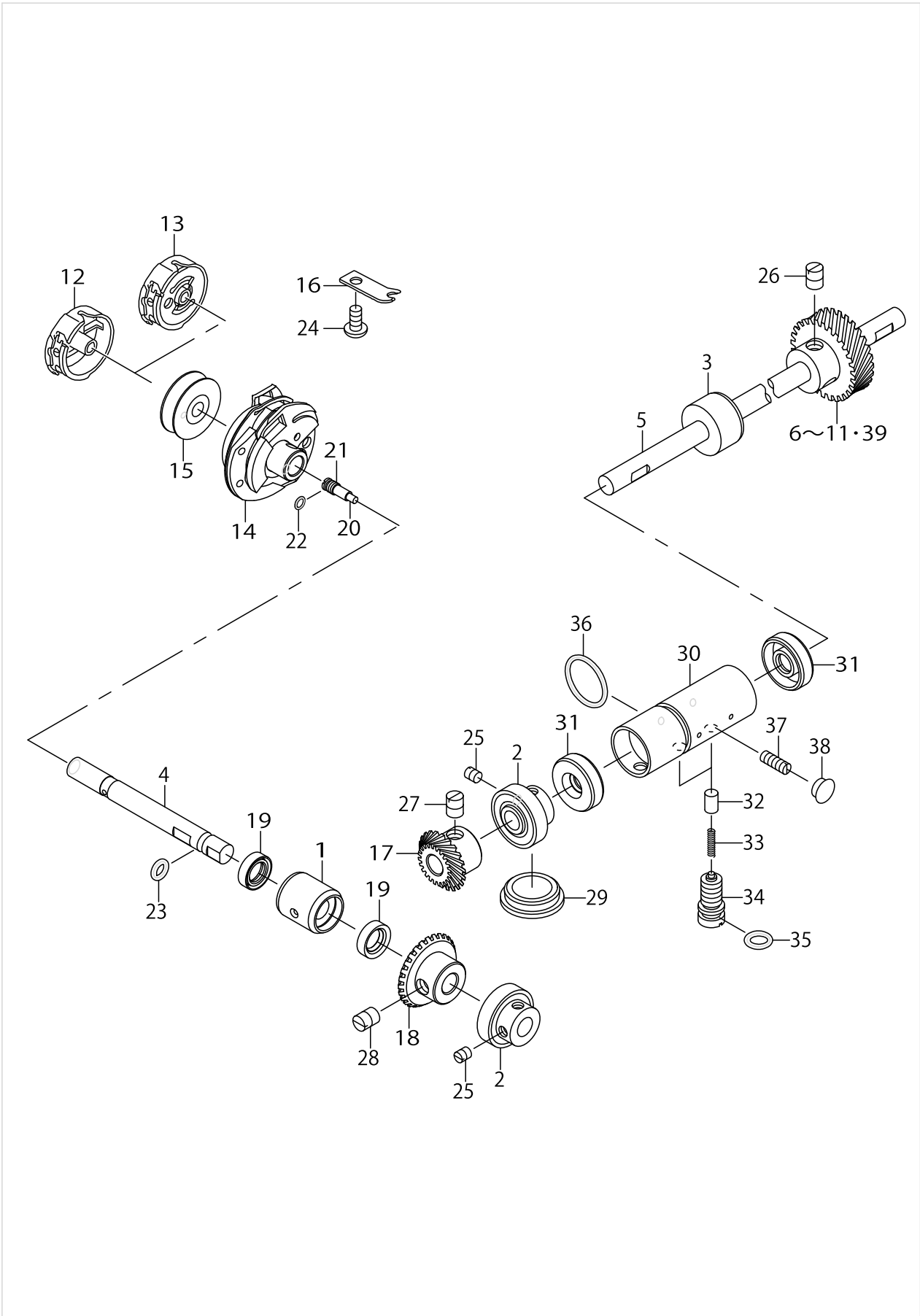
FEED MECHANISM COMPONENTS (2)



FEED MECHANISM COMPONENTS (2)

No.	Parts No.	Parts name	Remarks	Level	Cons	Qty
1	23533706	FEED ADJUSTING SHAFT METAL				1
2	23533805	FEED ADJUSTING SHAFT				1
3	23533409	FEED ADJUSTING ROD				1
4	23533904	FEED ADJUSTING SCREW				2
5	23533508	FEED BLIND CONTROLLER				1
6	23534001	FEED ADJUSTING BASE				2
7	PS0300122KH	SPRING PIN 3X12				2
8	23534407	CONDENS DIAL	FOR LZ-2290SS,LZ-2290SS-7			1
9	23534308	CONDENS ADJUSTING SHAFT				1
10	23534258	CONDENS STOPPER ASM.				1
11	23534209	CONDENS STOPPER		*		1
12	SS7121410TP	SCREW 3/16-28 L=14		*		1
13	23613607	FEED LEVER				1
14	23613706	FEED LEVER SHAFT				1
15	23613805	FEED LEVER SHAFT METAL				1
16	23613953	FEED LEVER ARM ASM.				1
17	SS6121610SP	SCREW 3/16-28 L=15.5		*		1
18	NS6150310SP	NUT 15/64-28				1
19	23533607	FEED ADJUSTING SHAFT				1
20	11071909	FEED DIAL	FOR LZ-2290SS,LZ-2290SS-7			1
21	11100500	REVERSE FEED LEVER STOPPER				1
22	11302700	SPRING				1
23	SM8060812TP	SCREW M6 L=8				2
24	SS6121840SP	SCREW 3/16-28 L=18				1
25	SS6121860SP	SCREW 3/16-28 L=18				1
26	SS7121410TP	SCREW 3/16-28 L=14				1
27	SS6121860SP	SCREW 3/16-28 L=18				1
28	SS1110821TP	SCREW 11/64-40 L=8.3				4
29	WP1651616SD	WASHER				3
30	23534506	FEED DIAL SPRING				2
31	23545502	FEED BLIND CONTROLLER U	FOR LZ-2290SU,LZ-2290SU-7			1
32	23545007	CONDENS DIAL U	FOR LZ-2290SU,LZ-2290SU-7			1
33	26302000	FEED DIAL	FOR LZ-2290SU,LZ-2290SU-7			1

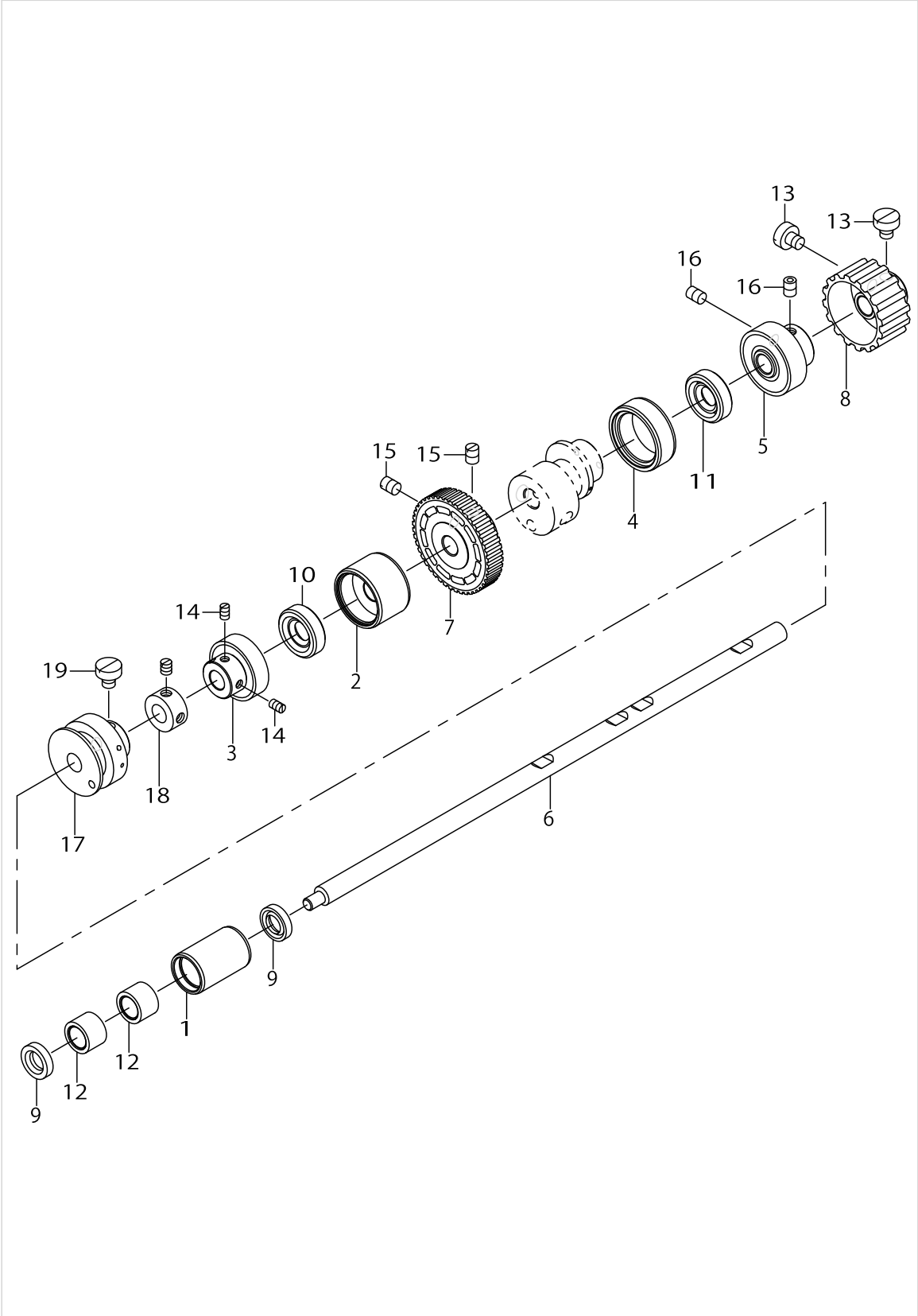
HOOK DRIVING SHAFT COMPONENTS (1)



HOOK DRIVING SHAFT COMPONENTS (1)

No.	Parts No.	Parts name	Remarks	Level	Cons	Qty
1	23535107	HOOK SHAFT FRONT METAL				1
2	23535255	HOOK SHAFT BEARING ASM.				2
3	23535602	HOOK DRIVING SHAFT REAR METAL				1
4	23535008	HOOK SHAFT				1
5	23535503	HOOK DRIVING SHAFT	SELECTIVE PARTS			1
6	23536303	HOOK DRIVING GEAR (SMALL) A	SELECTIVE PARTS			1
7	23536402	HOOK DRIVING GEAR (SMALL) B	SELECTIVE PARTS			1
8	23536501	HOOK DRIVING GEAR (SMALL) C	SELECTIVE PARTS			1
9	23536600	HOOK DRIVING GEAR (SMALL) D	SELECTIVE PARTS			1
10	23536709	HOOK DRIVING GEAR (SMALL) E	SELECTIVE PARTS			1
11	23536808	HOOK DRIVING GEAR (SMALL) F	SELECTIVE PARTS			1
12	23537459	BOBBIN CASE COMPL.	FOR LZ-2290SS,LZ-2290SU VARIOUS NOS.FOR DESTINATIONS			1
13	23537350	BOBBIN CASE ASM.	VARIOUS NOS.FOR DESTINATIONS			1
14	22525877	HOOK COMPL. V				1
15	22596704	BOBBIN S				1
16	23503402	INNER HOOK STOPPER				1
17	23535305	HOOK GEAR (SMALL)				1
18	23535404	HOOK GEAR (LARGE)				1
19	23537202	HOOK SHAFT OIL SEAL				2
20	11015906	OIL WICK				1
21	B1808552000	OIL SEAL SCREW				1
22	RO036080200	RUBBER RING				1
23	RO048190100	RUBBER RING				1
24	SS4110915SP	SCREW 11/64-40 L=9				1
25	SS8110510SP	SCREW 11/64-40 L=5				4
26	SS8660810TP	SCREW 1/4-40 L=8				2
27	SS8660810TP	SCREW 1/4-40 L=8				2
28	SS8660810TP	SCREW 1/4-40 L=8				2
29	TA2050406R0	RUBBER PLUG				1
30	23539000	PUMP METAL				1
31	22890008	HOOK DRIVING SHAFT OIL SEAL				2
32	23628803	PLUNGER				2
33	23628902	PLUNGER SPRING				2
34	23629009	PLUNGER SCREW				2
35	RO068190100	RUBBER RING				2
36	RO172180100	RUBBER RING				1
37	SS8111251SP	SCREW 11/64-40 L=12.0				1
38	TA0750404R0	PLUG D=7.5 L=3.5				1
39	23538903	HOOK DRIVING GEAR (SMALL) S	SELECTIVE PARTS			1

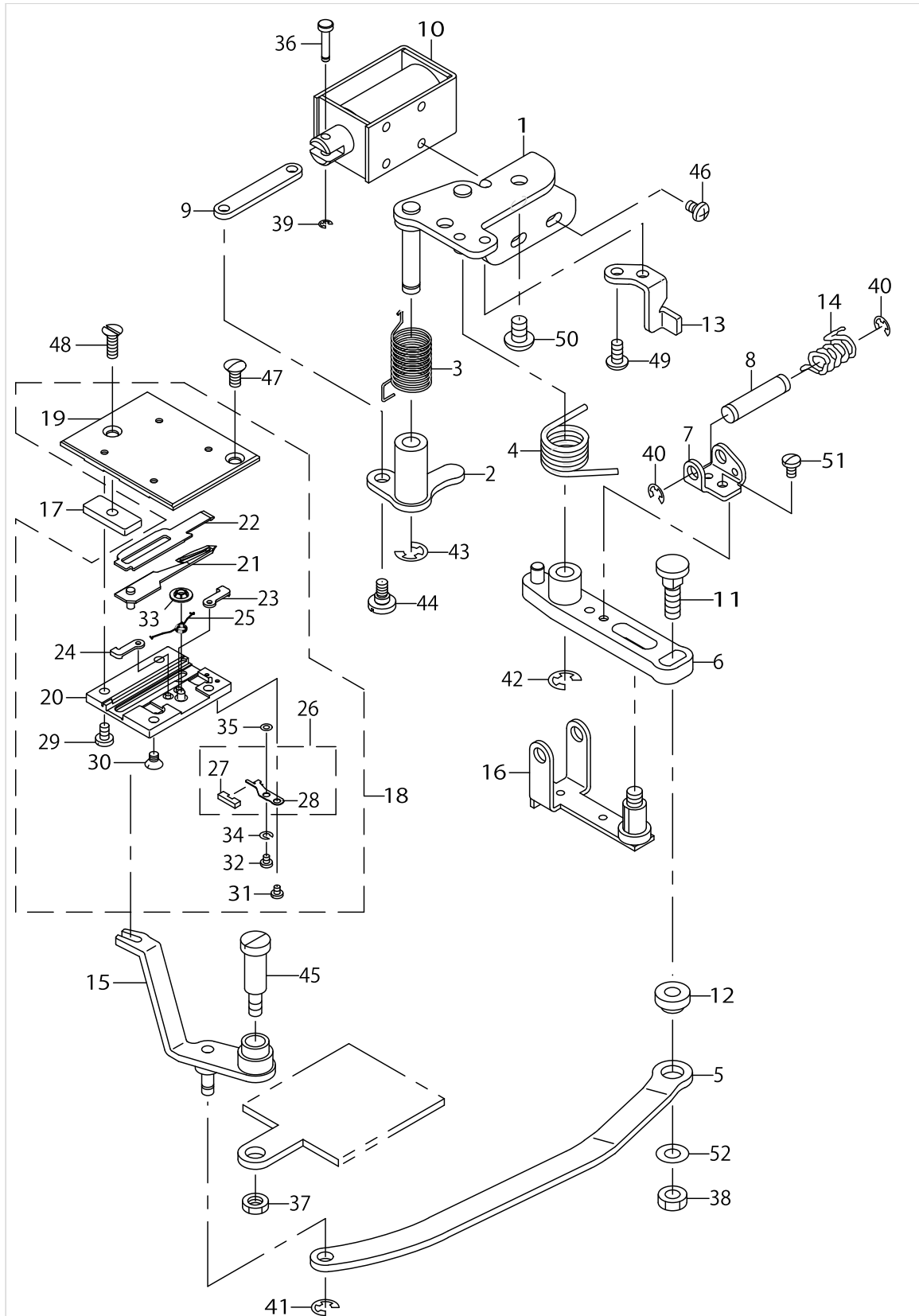
HOOK DRIVING SHAFT COMPONENTS (2)



HOOK DRIVING SHAFT COMPONENTS (2)

No.	Parts No.	Parts name	Remarks	Level	Cons	Qty
1	23535818	LOWER SHAFT FRONT BEARING BUSH				1
2	23535909	LOWER SHAFT INNER METAL				1
3	23536055	LOWER SHAFT INNER BEARING ASM.				1
4	23536105	LOWER SHAFT REAR BUSH				1
5	23536253	LOWER SHAFT REAR BEARING ASM.				1
6	23535701	LOWER SHAFT	FOR LZ-2290SS,LZ-2290SS-7			1
7	23536907	HOOK DRIVING GEAR (LARGE)				1
8	23537103	LOWER SHAFT SPROCKET				1
9	B2508704000	OIL SEAL				2
10	G1615880000	OIL SEAL				1
11	G1615880000	OIL SEAL				1
12	SB310001000	BEARING				2
13	SS6660710TP	SCREW 1/4-40 L=7				2
14	SS8110750SP	SCREW 11/64-40 L= 6.5				2
15	SS8660810TP	SCREW 1/4-40 L=8				2
16	SM8060812TP	SCREW M6 L=8				2
17	23541709	THREAD TRIMMER CAM				1
18	CS100081CSP	THRUST COLLAR ASM.				1
19	SS6660710TP	SCREW 1/4-40 L=7				2

THREAD TRIMMER MECHANISM COMPONENTS (FOR LZ-2290SS-7,LZ-2290SU-7)

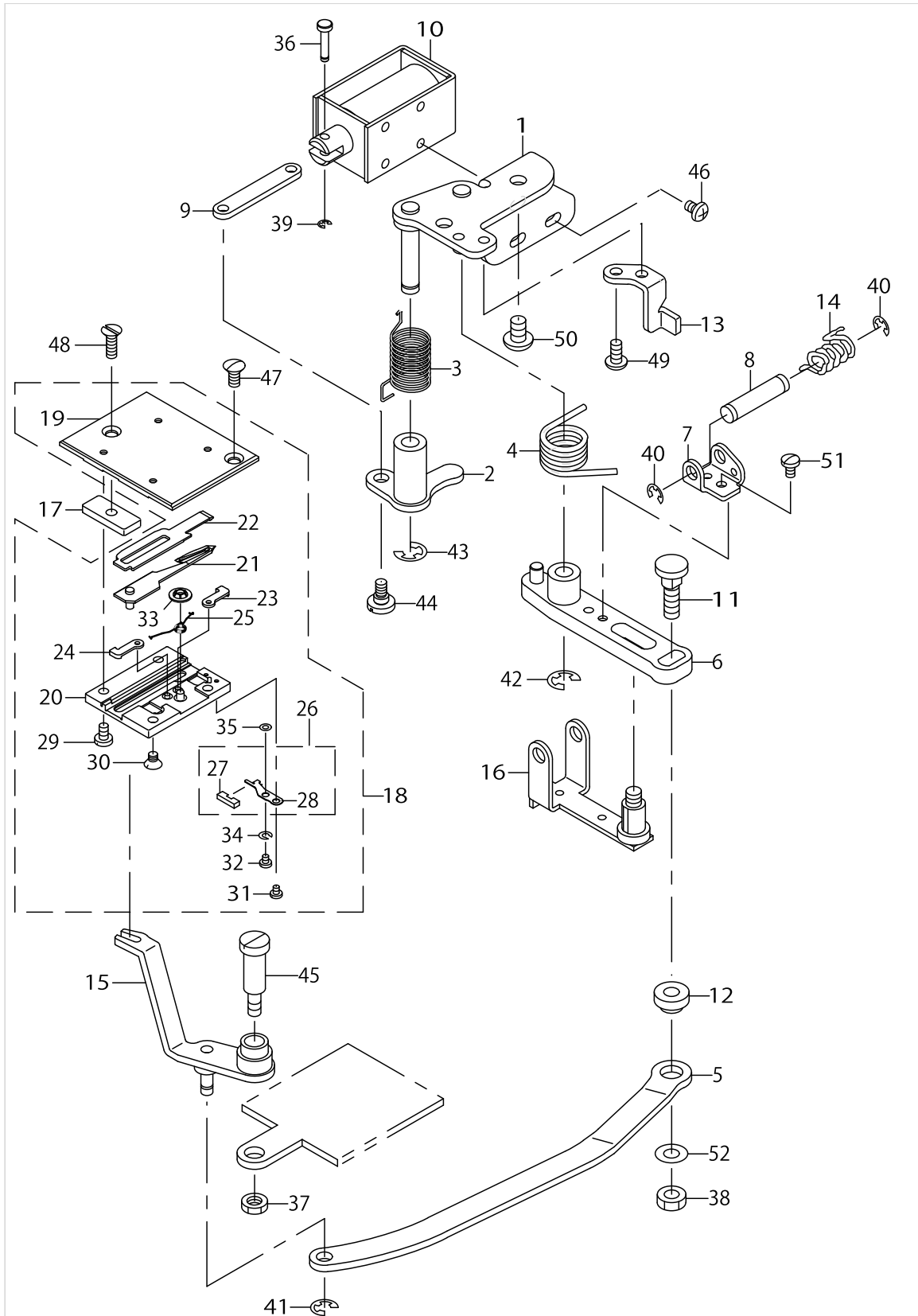


THREAD TRIMMER MECHANISM COMPONENTS (FOR LZ-2290SS-7,LZ-2290SU-7)

No.	Parts No.	Parts name	Remarks	Level	Cons	Qty
1	23541956	BASE PLATE ASM.				1
2	23542053	CLUTCH PLATE ASM.				1
3	23542103	CLUTCH RETURN SPRING				1
4	23542202	KNIFE RETURN SPARING				1
5	23541808	MOVING KNIFE LINK				1
6	11040854	KNIFE DRIVING ARM ASM.				1
7	22949002	ROLLER ARM SEAT				1
8	11041407	ROLLER FULCRUM SHAFT				1
9	22554505	CLUTCH LINK				1
10	23542301	THREAD TRIMMER SOLENOID				1
11	22554703	MOVING KNIFE LINK PIN				1
12	22554802	MOVING KNIFE LINK BASE				1
13	22554901	DRIVING ARM STOPPER				1
14	22555304	ROLLER RETURN SPRING				1
15	22555551	FORK KNIFE ASM.				1
16	22555858	ROLLER ARM ASM.				1
17	22556906	FIXED PLATE				1
18	22557458	KNIFE UNIT				1
19	22558308	SLIDING PLATE		*		1
20	22558407	KNIFE BASE		*		1
21	22557557	DRIVING KNIFE ASM.		*		1
22	22557706	FIXED KNIFE		*		1
23	22557805	KNIFE STOPPER, RIGHT		*		1
24	22557904	KNIFE STOPPER, LEFT		*		1
25	22558209	SPRING		*		1
26	22558159	CLAMP PLATE ASM.		*		1
27	22558001	FELT		*		1
28	22558100	CLAMP PLATE		*		1
29	SS7090610SP	SCREW 9/64-40 L=6		*		2
30	SS1090510SP	SCREW 9/64-40 L=5		*		2
31	SS7060310SP	SCREW 3/32-56 L=3		*		1
32	SS7060310SP	SCREW 3/32-56 L=3		*		1
33	NP210300000	LOCATING SPRING WASHER		*		1
34	WS0270002KN	SPRING WASHER M2.6		*		1
35	D2056772B0B	WASHER B T=0.4		*		1
36	23542400	CLUTCH LINK PIN				1
37	NS6150310SP	NUT 15/64-28				1
38	NS6150430SP	NUT 15/64-28				1
39	RE0250000K0	E-RING 2.5				1
40	RE0400000K0	E-RING 4				2
41	RE0500000K0	E-RING				1
42	RE0600000K0	E-RING 6				1
43	RE0600000K0	E-RING 6				1
44	SD0600291TP	HINGE SCKEW D=6 H=2.9				1
45	SD0791503SP	HINGE SCREW D=7.94 H=15				1
46	SM4040601SC	SCREW M4X0.7 L=6				3
47	SS2110920TP	SCREW 11/64-40 L=8.5				1



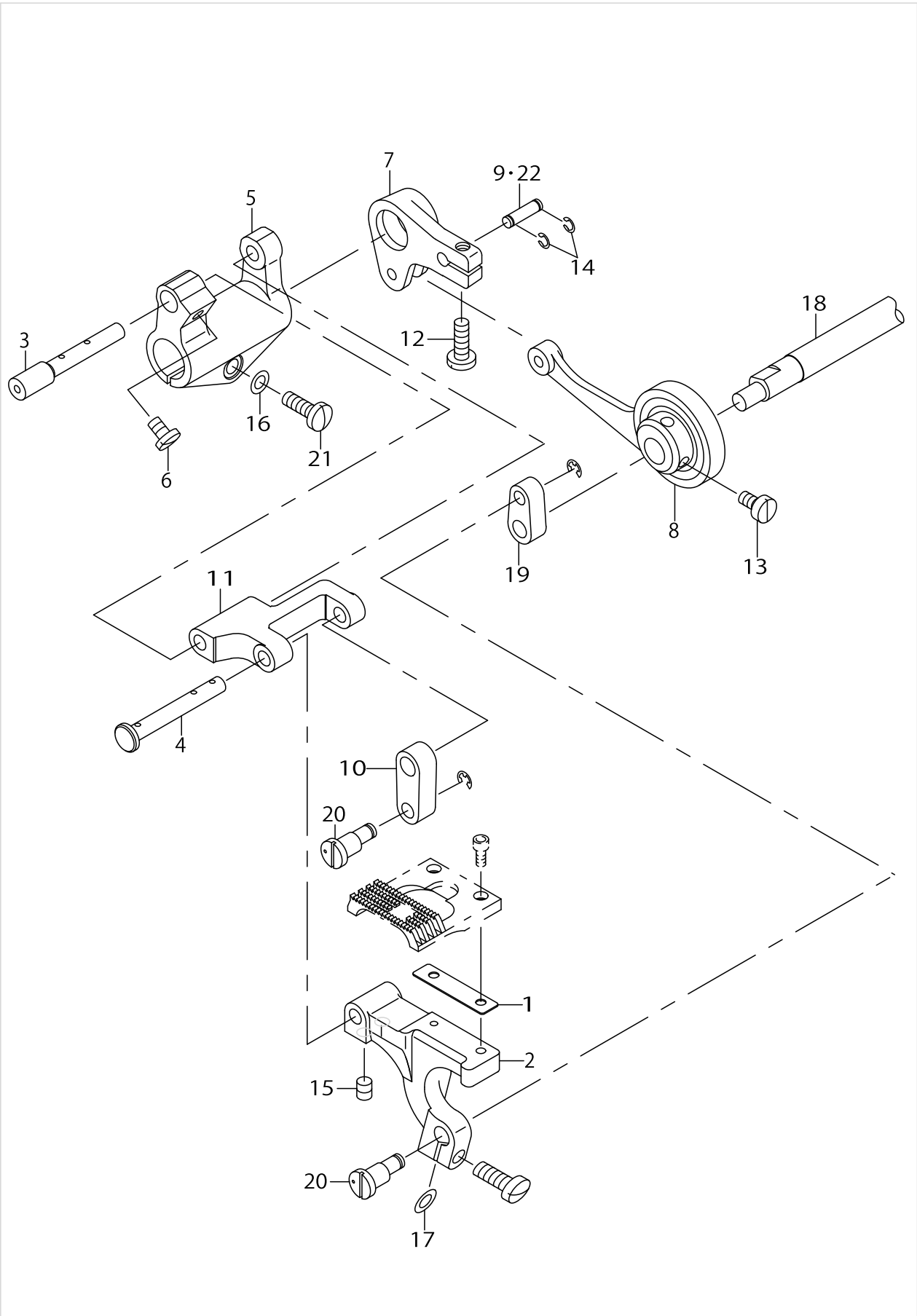
THREAD TRIMMER MECHANISM COMPONENTS (FOR LZ-2290SS-7,LZ-2290SU-7)



THREAD TRIMMER MECHANISM COMPONENTS (FOR LZ-2290SS-7,LZ-2290SU-7)

No.	Parts No.	Parts name	Remarks	Level	Cons	Qty
48	SS2111010TP	SCREW 11/64-40 L=9.5				1
49	SS4110915SP	SCREW 11/64-40 L=9				2
50	SS4150915SP	SCREW 15/64-28 L=9				2
51	SS7090610SP	SCREW 9/64-40 L=6				1
52	WP0621016SH	WASHER				1

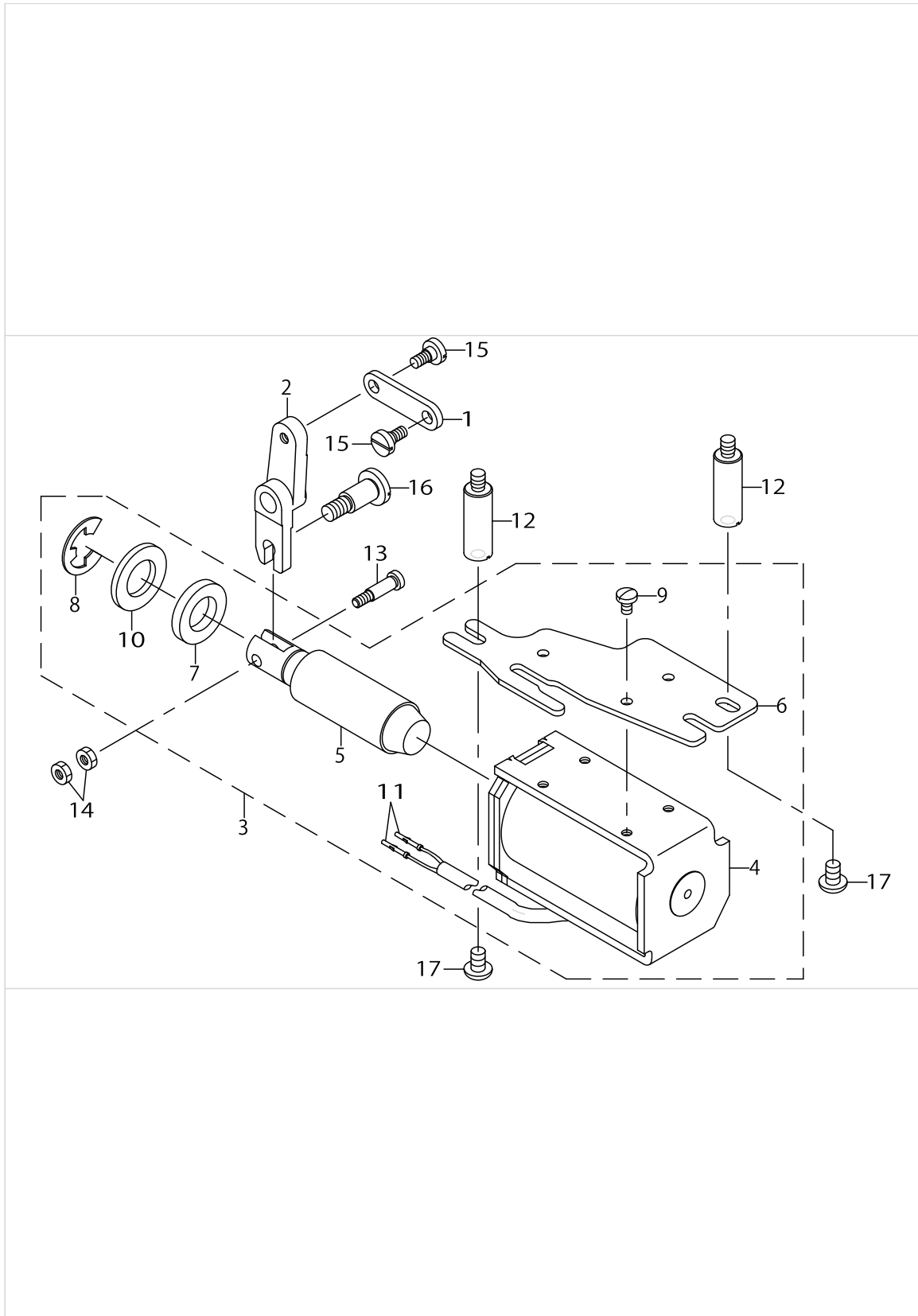
FEED MECHANISM COMPONENTS (FOR LZ-2290SU,LZ-2290SU-7,LZ-2290DU,LZ-2290DU-7)



FEED MECHANISM COMPONENTS (FOR LZ-2290SU,LZ-2290SU-7,LZ-2290DU,LZ-2290DU-7)

No.	Parts No.	Parts name	Remarks	Level	Cons	Qty
1	10025906	SPACER	FOR LZ-2290SU,LZ-2290SU-7			1
2	23501901	FEED BASE				1
3	22913206	FEED BASE SHAFT				1
4	23501802	FEED BASE SHAFT B				1
5	22913107	FEED BASE ARM				1
6	SS7110740TP	SCREW 11/64-40 L=7				1
7	23545403	VERTICAL FEED ARM				1
8	23501356	VERTICAL FEED CAM ASM.	FOR LZ-2290SU,LZ-2290SU-7			1
9	11214806	PIN	FOR LZ-2290SU,LZ-2290SU-7			1
10	23501703	LINK B				1
11	23501604	FEED BASE LINK				1
12	SS7121410TP	SCREW 3/16-28 L=14				1
13	SS6110820TP	SCREW 11/64-40 L=8	FOR LZ-2290SU,LZ-2290SU-7			2
14	RC0330415KP	SNAP RING	FOR LZ-2290SU,LZ-2290SU-7			2
15	SM8050612TP	SCREW M5X6				2
16	WP0480856SP	WASHER 4.8X8.4X0.8				1
17	WP0500916SD	WASHER 5X7X0.9				1
18	23545106	LOWER SHAFT U	FOR LZ-2290SU,LZ-2290SU-7			1
19	23558307	VERTICAL FEED LINK D	FOR LZ-2290DU,LZ-2290DU-7			1
20	23558406	VERTICAL FEED LINK SHAFT D	FOR LZ-2290DU,LZ-2290DU-7			2
21	SS7121410TP	SCREW 3/16-28 L=14				1
22	23559909	VERTICAL FEED ROD PIN DU	FOR LZ-2290DU,LZ-2290DU-7			1

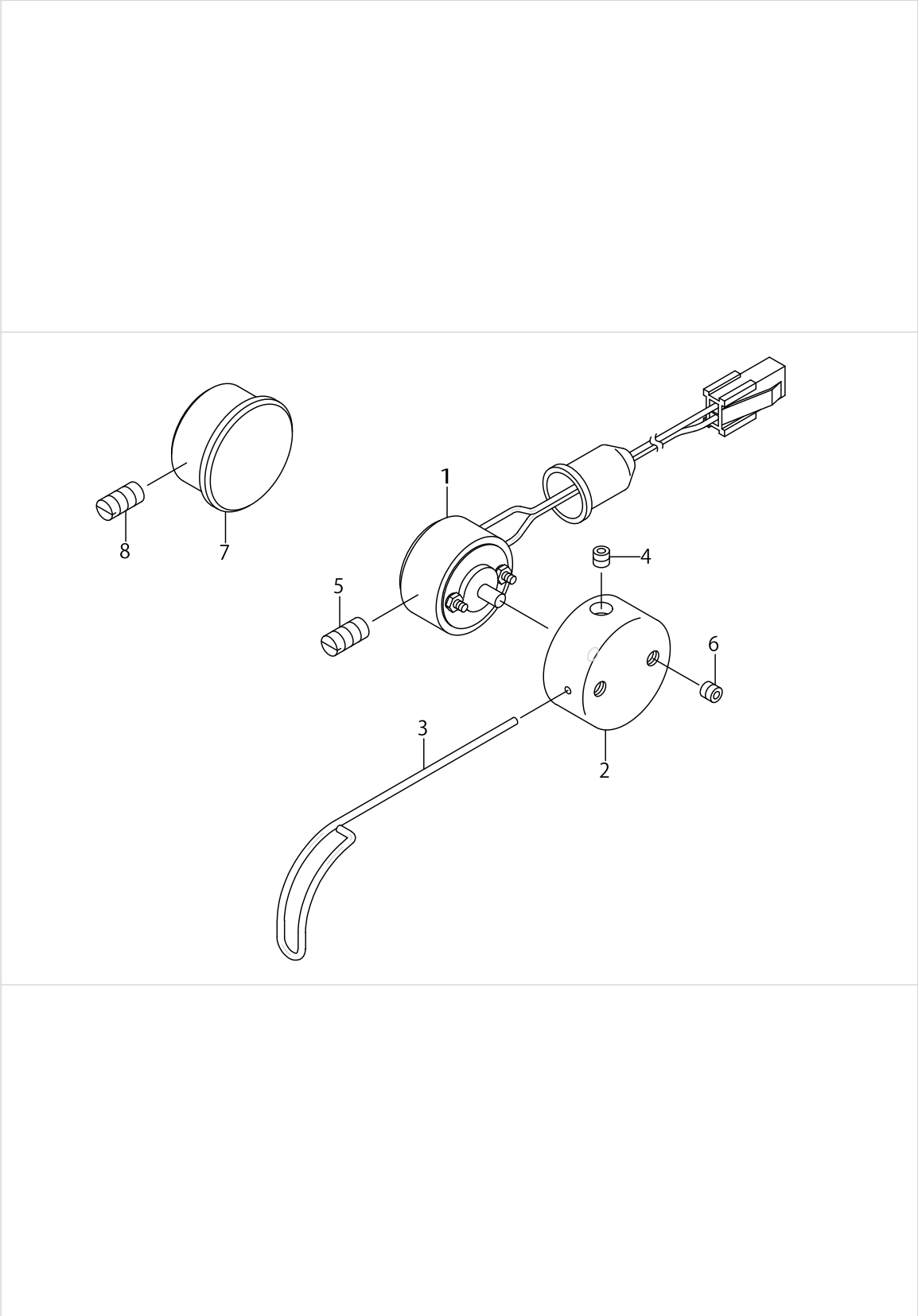
AUTOMATIC REVERSE FEED MECHANISM COMPONENTS (FOR LZ-2290SS-7,LZ-2290SU-7)



AUTOMATIC REVERSE FEED MECHANISM COMPONENTS (FOR LZ-2290SS-7,LZ-2290SU-7)

No.	Parts No.	Parts name	Remarks	Level	Cons	Qty
1	23542509	AUTOMATIC REVERSE FEED LINK				1
2	23542608	AUTOMATIC REVERSE FEED ARM				1
3	23542756	SOLENOID BASE ASM.				1
4	23542806	REVERSE FEED SOLENOID		*		1
5	23631104	REVERSE FEED SOLENOID PLUNGER		*		1
6	23542707	REVERSE FEED SOLENOID BASE		*		1
7	D2468555B00	RUBBER PLUNGER		*		1
8	RE1200000K0	E-RING 12		*		1
9	SS7110740TP	SCREW 11/64-40 L=7		*		3
10	WP1703001SC	WASHER 17X30X3		*		1
11	HK03464000B	PIN CONTACT		*		2
12	21157300	BELT COVER STUD				2
13	11314408	PLUNGER ARM PIN				1
14	NS6110350SP	NUT 11/64-40				2
15	SD0600321SP	HINGE SCREW D=6 H=3.2				2
16	SD0951501SP	HINGE SCREW D= 9.53 H=15				1
17	SS4150915SP	SCREW 15/64-28 L=9				2

THREAD FEEDER COMPONENTS

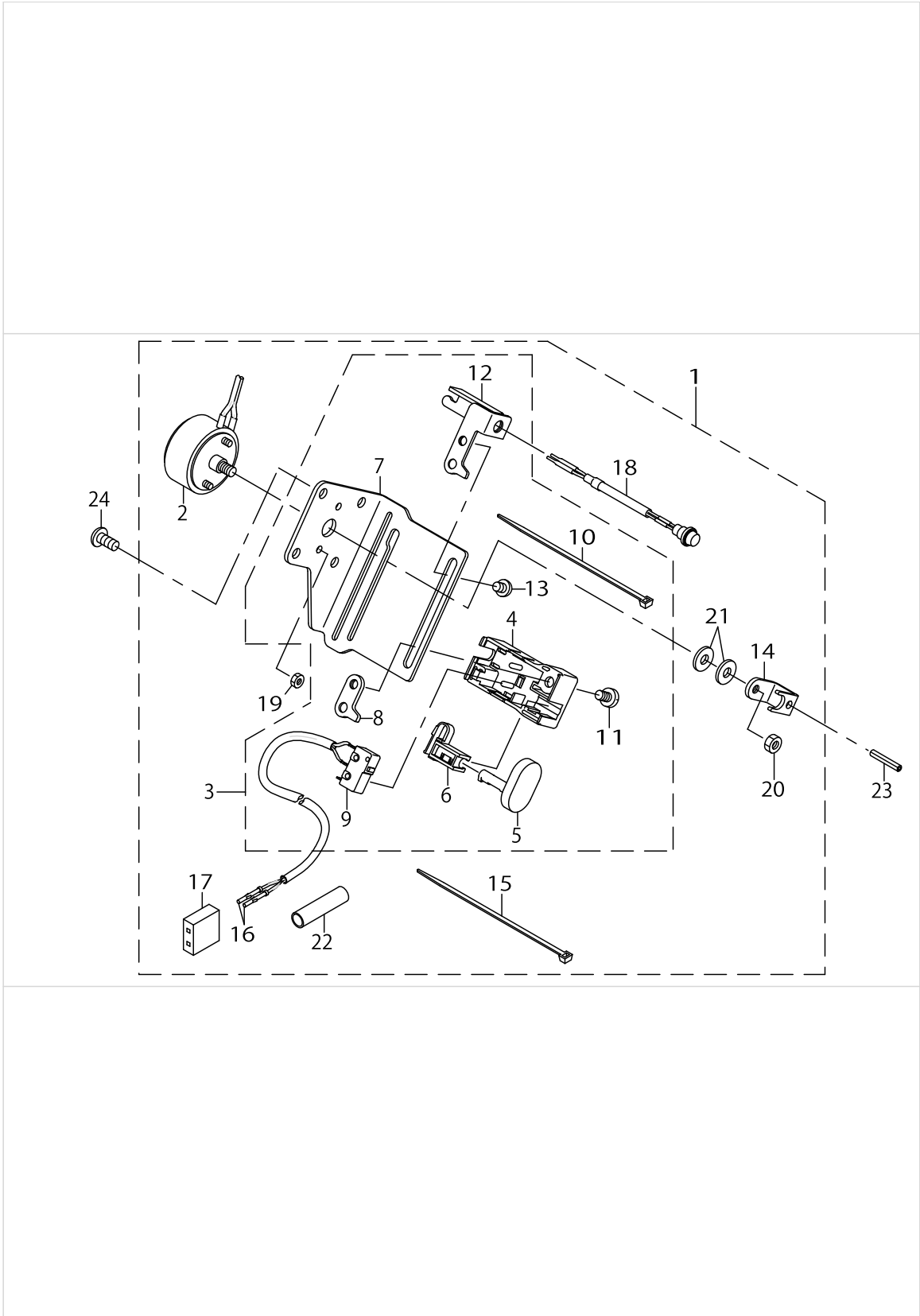


THREAD FEEDER COMPONENTS

No.	Parts No.	Parts name	Remarks	Level	Cons	Qty
1	23538457	FEEDER SOLENOID ASM.	FOR LZ-2290SS-7,LZ-2290SU-7			1
2	23538507	FEEDER WIRE FITTING BASE	FOR LZ-2290SS-7,LZ-2290SU-7			1
3	23538606	FEEDER WIRE	FOR LZ-2290SS-7,LZ-2290SU-7			1
4	SS8110422TP	SCREW 11/64-40 L=4	FOR LZ-2290SS-7,LZ-2290SU-7			1
5	SS8151230SP	SCREW 15/64-28 L=12	FOR LZ-2290SS-7,LZ-2290SU-7			1
6	SS8110422TP	SCREW 11/64-40 L=4	FOR LZ-2290SS-7,LZ-2290SU-7			2
7	23538705	FEEDER FITTING BASE COVER	FOR LZ-2290SS,LZ-2290SU			1
8	SS8151230SP	SCREW 15/64-28 L=12	FOR LZ-2290SS,LZ-2290SU			1



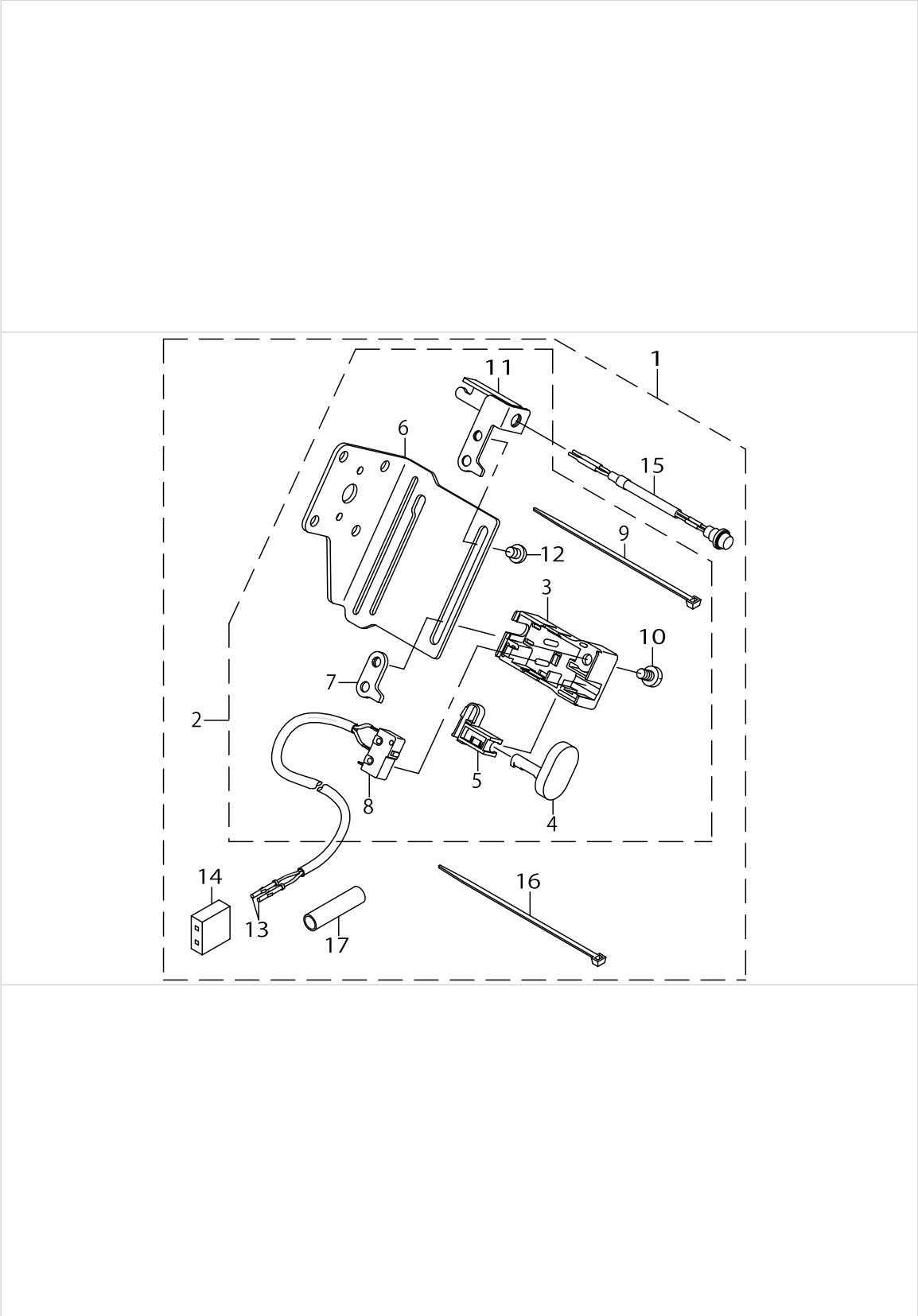
THREAD RELEASE SOLENOID COMPONENTS (FOR LZ-2290SS-7,LZ-2290SU-7)



THREAD RELEASE SOLENOID COMPONENTS (FOR LZ-2290SS-7,LZ-2290SU-7)

No.	Parts No.	Parts name	Remarks	Level	Cons	Qty
1	23538259	THREAD RELEASE SOLENOID COMPL.				1
2	23538150	THREAD RELEASE SOLENOID ASM.		*		1
3	23540859	THREAD RELEASE SOLENOID		*		1
4	23631708	REVERSE FEED SWITCH COVER		*		1
5	23631807	REVERSE FEED SWITCH SHAFT		*		1
6	23631906	REVERSE FEED SWITCH SUPPORT		*		1
7	23540800	MANUAL SWITCH BASE		*		1
8	23632102	REVERSE FEED SWITCH BASE GUIDE		*		1
9	23541055	REVERSE FEED CORD ASM.		*		1
10	EA9500B0100	CABLE BAND		*		1
11	SS7110740TP	SCREW 11/64-40 L=7		*		1
12	23540909	MANUAL SWITCH BASE GUIDE		*		1
13	SS4110515SP	SCREW 11/64-40 L=5		*		1
14	22552905	THREAD RELEASE PUSH PLATE		*		1
15	EA9500B0100	CABLE BAND		*		1
16	HK016530000	PLUG CONTACT		*		2
17	HK016590060	HOUSING		*		1
18	M8522476AA0	SW LED CABLE A ASM.		*		1
19	NM6030001SC	NUT M3		*		2
20	NM6040001SN	NUT M4X0.7		*		1
21	13705603	FRAME SIDE COVER GASKET		*		2
22	E8760452G00	TUBE		*		0.03
23	PS0300182KF	SPRING PIN 3X18				1
24	SS4121015SP	SCREW 3/16-28 L=10				4

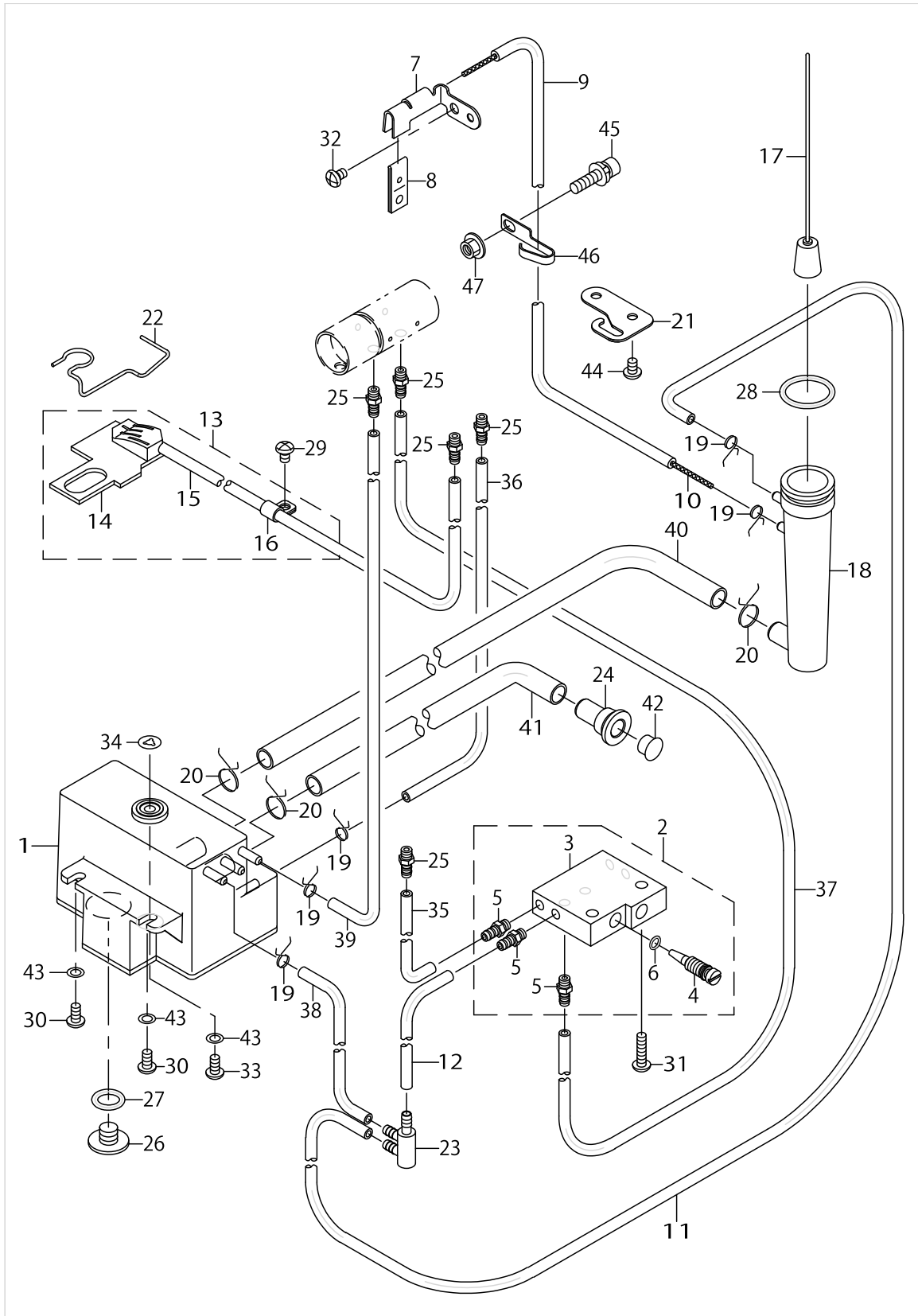
MANUAL SWITCH COMPONENTS (FOR LZ-2290SS,LZ-2290SU)



MANUAL SWITCH COMPONENTS (FOR LZ-2290SS,LZ-2290SU)

No.	Parts No.	Parts name	Remarks	Level	Cons	Qty
1	23541154	MANUAL SWITCH BASE COMPL.				1
2	23540859	MANUAL SWITCH ASM.		*		1
3	23631708	REVERSE FEED SWITCH COVER		*		1
4	23631807	REVERSE FEED SWITCH SHAFT		*		1
5	23631906	REVERSE FEED SWITCH SUPPORT		*		1
6	23540800	MANUAL SWITCH BASE		*		1
7	23632102	REVERSE FEED SWITCH BASE GUIDE		*		1
8	23541055	REVERSE FEED CORD ASM.		*		1
9	EA9500B0100	CABLE BAND		*		1
10	SS7110740TP	SCREW 11/64-40 L=7		*		1
11	23540909	MANUAL SWITCH BASE GUIDE		*		1
12	SS4110515SP	SCREW 11/64-40 L=5		*		1
13	HK016530000	PLUG CONTACT		*		2
14	HK016590060	HOUSING		*		1
15	M8522476AA0	SW LED CABLE A ASM.		*		1
16	EA9500B0100	CABLE BAND		*		1
17	E8760452G00	TUBE		*		0.03

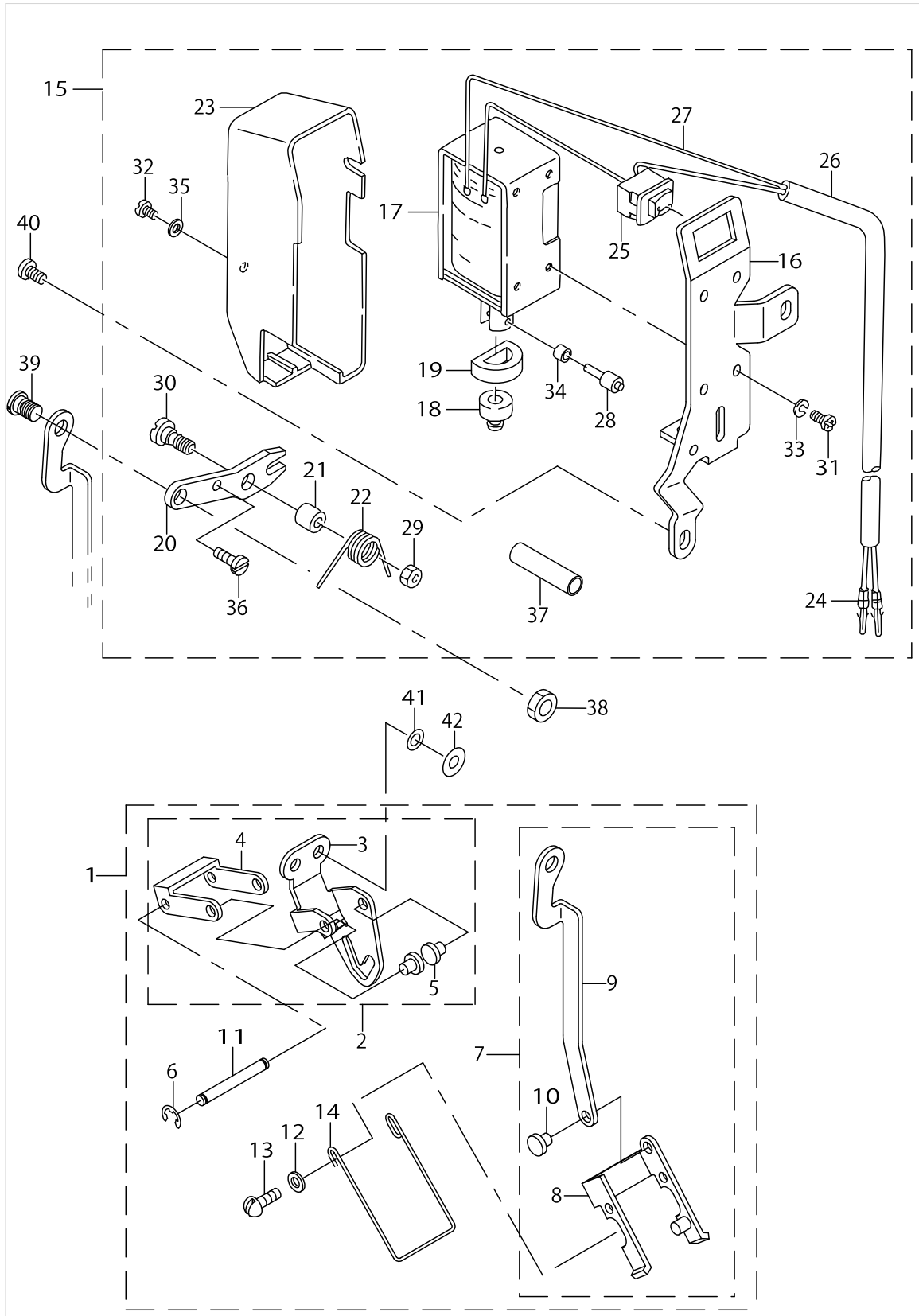
LUBRICATION COMPONENTS



LUBRICATION COMPONENTS

No.	Parts No.	Parts name	Remarks	Level	Cons	Qty
1	23539158	OIL TANK ASM.				1
2	23539356	HOOK OIL REGULATING ASM.				1
3	23539307	HOOK OIL REGULATING		*		1
4	23539406	HOOK OIL REGULATING SCREW		*		1
5	23629801	LUBRICATION CONNECTOR		*		3
6	RO037180100	RUBBER RING		*		1
7	23539505	FACE LUBRICATION PRESSER				1
8	B3518280000	BALANCE LUBRICATING				1
9	23630007	TUBE				0.64
10	CQ220000000	OUL WICK				0.7
11	23630007	TUBE				0.4
12	23630007	TUBE				0.09
13	23540057	ONCE THROUGH OIL FELT ASM.				1
14	23540008	ONCE THROUGH OIL FELT		*		1
15	23630007	TUBE		*		1.07
16	B3536122000	HOLDER		*		1
17	23628357	FLOATER ASM.				1
18	23628704	FLOATER CASE				1
19	23629306	PIPE STOPPER A				5
20	23629405	PIPE STOPPER B				3
21	23539703	LUBRICATION TANK PIPE GUIDE				1
22	23540107	ONCE THROUGH OIL FELT PRESSER				1
23	23629504	DISTRIBUTOR				1
24	23629603	OIL INLET				1
25	23629801	LUBRICATION CONNECTOR				5
26	23630205	SCREW				1
27	RO098240100	RUBBER RING				1
28	RO195240100	RUBBER RING				1
29	SS4110615SP	SCREW 11/64-40 L=6				1
30	SS4110815SP	SCREW 11/64-40 L=8				2
31	SS4121615SP	SCREW 3/16-28 L=16				2
32	SS4110615SP	SCREW 11/64-40 L=6				1
33	SS4111415SP	SCREW 11/64-40 L=14				1
34	M8002430000	STOPPER				1
35	23630007	TUBE				0.07
36	23630007	TUBE				0.12
37	23630007	TUBE				0.18
38	23630007	TUBE				0.14
39	23630007	TUBE				0.22
40	23630106	TUBE B				0.31
41	23630106	TUBE B				0.35
42	TA0850604R0	RUBBER PLUG				1
43	WP0460556SD	WASHER 4.6X7.5X0.5				3
44	SS4120615SP	SCREW 3/16-28 L=6				2
45	SL6052092TN	SCREW				1
46	13530209	LUBRICATING OIL WICK STOPPER				1
47	NM3050610SF	NUT				1

WIPER MECHANISM COMPONENTS (FOR LZ-2290SS-7-WB,LZ-2290SU-7-WB)

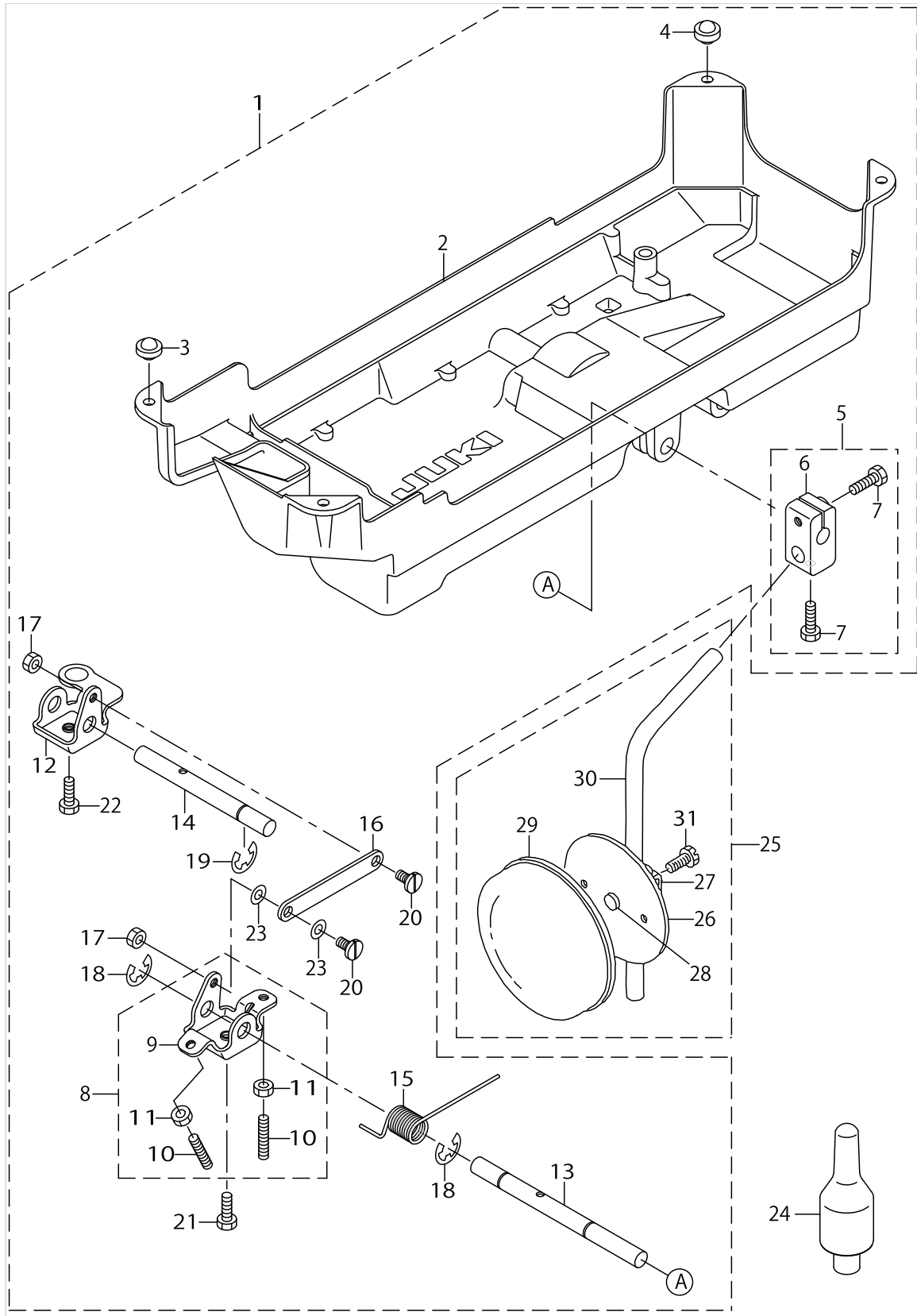


WIPER MECHANISM COMPONENTS (FOR LZ-2290SS-7-WB,LZ-2290SU-7-WB)

No.	Parts No.	Parts name	Remarks	Level	Cons	Qty
1	22561757	WIPER ASM.				1
2	22561856	WIPER BASE ASM.		*		1
3	22561807	WIPER BASE		*		1
4	10208601	WIPER LINK 1		*		1
5	D2107490D00	PIN		*		2
6	RE0320000K0	E-RING 3.2		*		2
7	22561955	WIPER LINK COMPL.		*		1
8	10208858	WIPER LINK ASM. 2		*		1
9	22561906	WIPER LINK		*		1
10	D2107490D00	PIN		*		1
11	10208700	WIPER LINK SHAFT		*		1
12	WP0371016SD	WASHER 3.7X8X1		*		2
13	SS3090520SP	SCREW 9/64-40 L=4.5		*		2
14	22561708	WIPER		*		1
15	23543051	WIPER SOLENOID ASM.				1
16	22562102	WIPER BASE		*		1
17	11110301	WIPER SOLENOID		*		1
18	11110400	WIPER RUBBER A		*		1
19	11110509	WIPER RUBBER B		*		1
20	22562201	WIPER LINK		*		1
21	11110707	WIPER HINGE SCREW COLLAR		*		1
22	11110806	WIPER SPRING		*		1
23	11072709	WIPER COVER		*		1
24	HK034630000	TERMINAL		*		2
25	HA000590000	POWER SWITCH		*		1
26	HW5F18S1228	TWO-CORE CORD		*		0.17
27	HW200390000	ELECTRIC WIRE		*		0.04
28	11112000	WIPER SOLENOID PIN		*		1
29	NS6110310SP	NUT 11/64-40		*		1
30	SD0650321TP	HINGE SCREW D=6.5 H=3.2		*		1
31	SM4030601SN	SCREW M3 X 6		*		4
32	SM4030601SN	SCREW M3 X 6		*		1
33	WS0310002KR	SPRING WASHER 3.1X5.9X0.7		*		4
34	11111804	WIPER LINK COLLAR		*		1
35	WP0320501SC	WASHER M3		*		1
36	SS6111040SP	SCREW 11/64-40 L= 9.5		*		1
37	E8760452J00	VINYL TUBE		*		0.03
38	NS6110310SP	NUT 11/64-40				1
39	SD0600271SP	HINGE SCREW D= 6 H= 2.7				1
40	SS4120615SP	SCREW 3/16-28 L=6				2
41	WP0480856SP	WASHER 4.8X8.4X0.8	VARIOUS NOS.FOR DESTINATIONS			2
42	WP0482086SD	WASHER 4.8X11.5X2	VARIOUS NOS.FOR DESTINATIONS			2



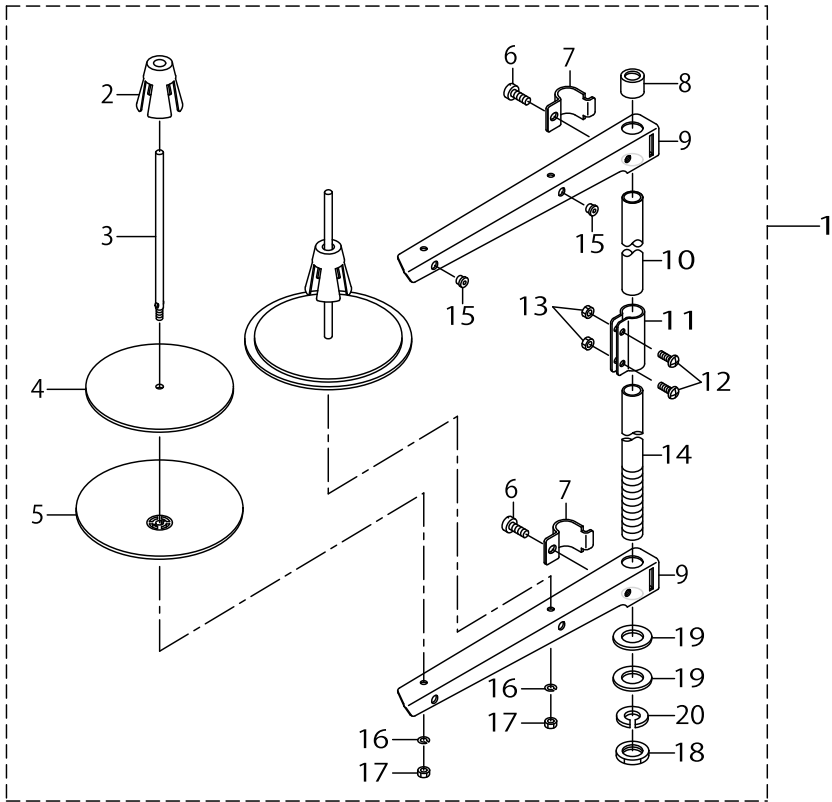
UNDER COVER COMPONENTS



UNDER COVER COMPONENTS

No.	Parts No.	Parts name	Remarks	Level	Cons	Qty
1	23543358	UNDER COVER ASM.				1
2	23543309	UNDER COVER		*		1
3	11047107	RUBBER CUSHION		*		2
4	10162600	RUBBER CUSHION		*		2
5	22932453	BRACKET ASM.		*		1
6	22932404	BRACKET		*		1
7	SM9062053SR	SCREW M6 L=20		*		2
8	23639156	BRACKET ASM.		*		1
9	23639107	BRACKET		*		1
10	SM8063012TR	SCREW M6 L=30		*		2
11	NM6060001SE	NUT M6		*		2
12	23639206	CONNECTING ROT		*		1
13	23639305	KNEE PRESS ROD		*		1
14	23639404	SHAFT		*		1
15	23639503	SPRING		*		1
16	23639602	CONNECTING ROD		*		1
17	NS6150310SP	NUT 15/64-28		*		2
18	RE1000000K0	E-RING 10		*		2
19	RE1000000K0	E-RING 10		*		1
20	SD0720331SP	HINGE SCREW D= 7.24 H= 3.3		*		2
21	SM9061853SR	SCREW M6 L=17.5		*		1
22	SM9061853SR	SCREW M6 L=17.5		*		1
23	WP0650876SD	WASHER 6.5X13X0.8		*		2
24	14101208	MACHINE FRAME SUPPORT ROD				1
25	22934251	KNEE PAD PLATE ASM.				1
26	22934202	KNEE PAD PLATE		*		1
27	22934301	KNEE PAD PLATE SUPPORT		*		1
28	22934400	KNEE PAD PLATE RUBBER		*		1
29	22934509	KNEE PAD PLATE COVER		*		1
30	22934608	KNEE PAD UPRIGHT SHAFT		*		1
31	SM9061203SE	SCREW M6 L=12		*		1

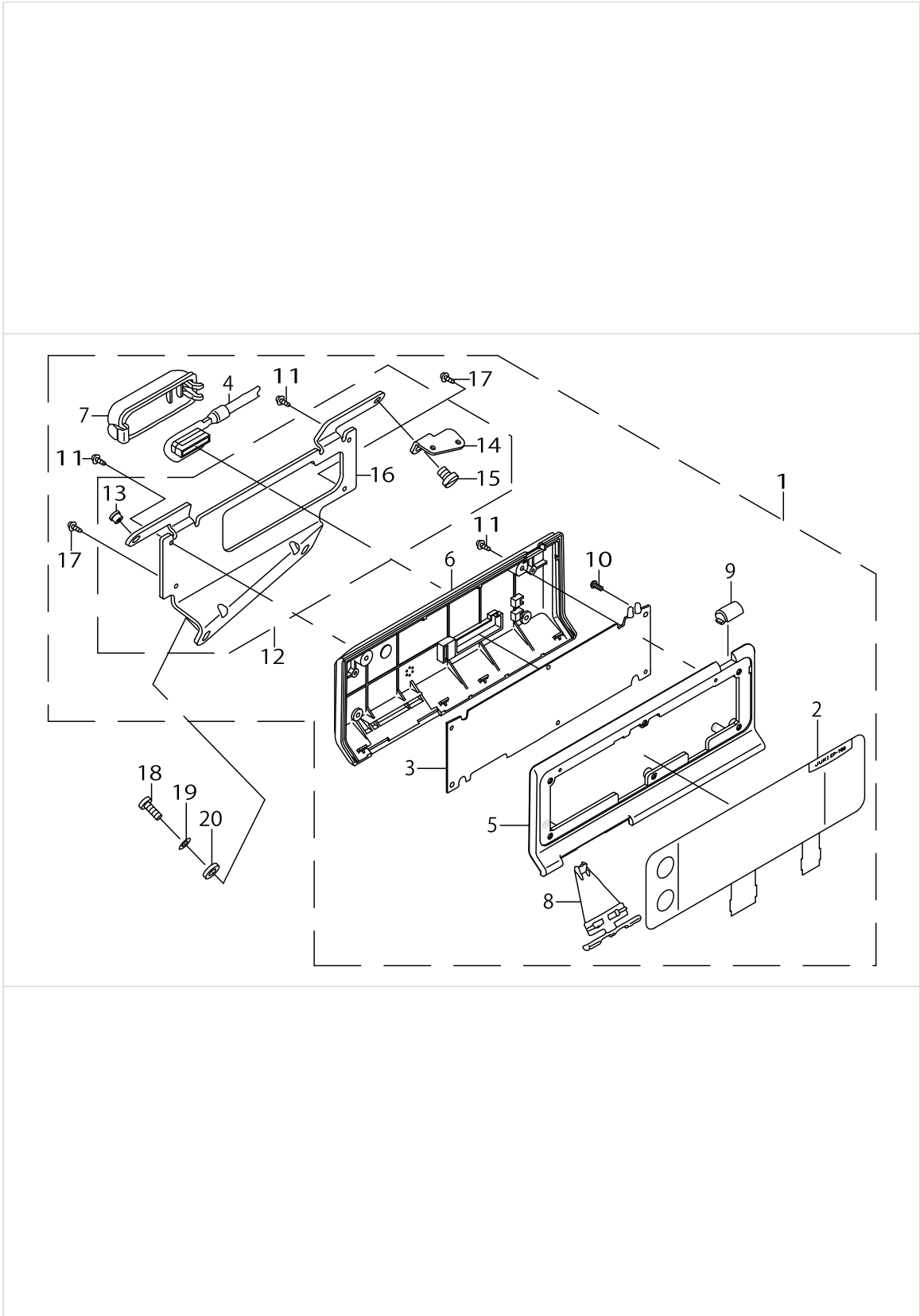
THREAD STAND COMPONENTS



THREAD STAND COMPONENTS

No.	Parts No.	Parts name	Remarks	Level	Cons	Qty
1	22930358	THREAD STAND ASM.				1
2	22931109	SPOOL RETAINER		*		2
3	22931000	SPOOL PIN		*		2
4	22930903	SPOOL REST CUSHION		*		2
5	22930804	SPOOL REST		*		2
6	SM6061610SC	SCREW M6 L=16		*		2
7	22930705	THREAD GUIDE ARM JOINT		*		2
8	22931406	SPOOL REST ROD RUBBER CAP		*		1
9	22930507	SPOOL REST ARM		*		2
10	22930408	SPOOL REST ROD, UPPER		*		1
11	22931307	SPOOL REST ROD JOINT		*		1
12	SM4051405SE	SCREW M5 L=14		*		2
13	NM6050001SE	NUT M5		*		2
14	22930309	SPOOL REST ROD, LOWER		*		1
15	22931208	THREAD GUIDE		*		2
16	WS0510002KN	SPRING WASHER		*		2
17	NM6050001SE	NUT M5		*		2
18	NM6160511SE	NUT M16X1.5		*		1
19	WP1702600S0	WASHER 17X30X2.6		*		2
20	WS1643202KR	SPRING WASHER		*		1

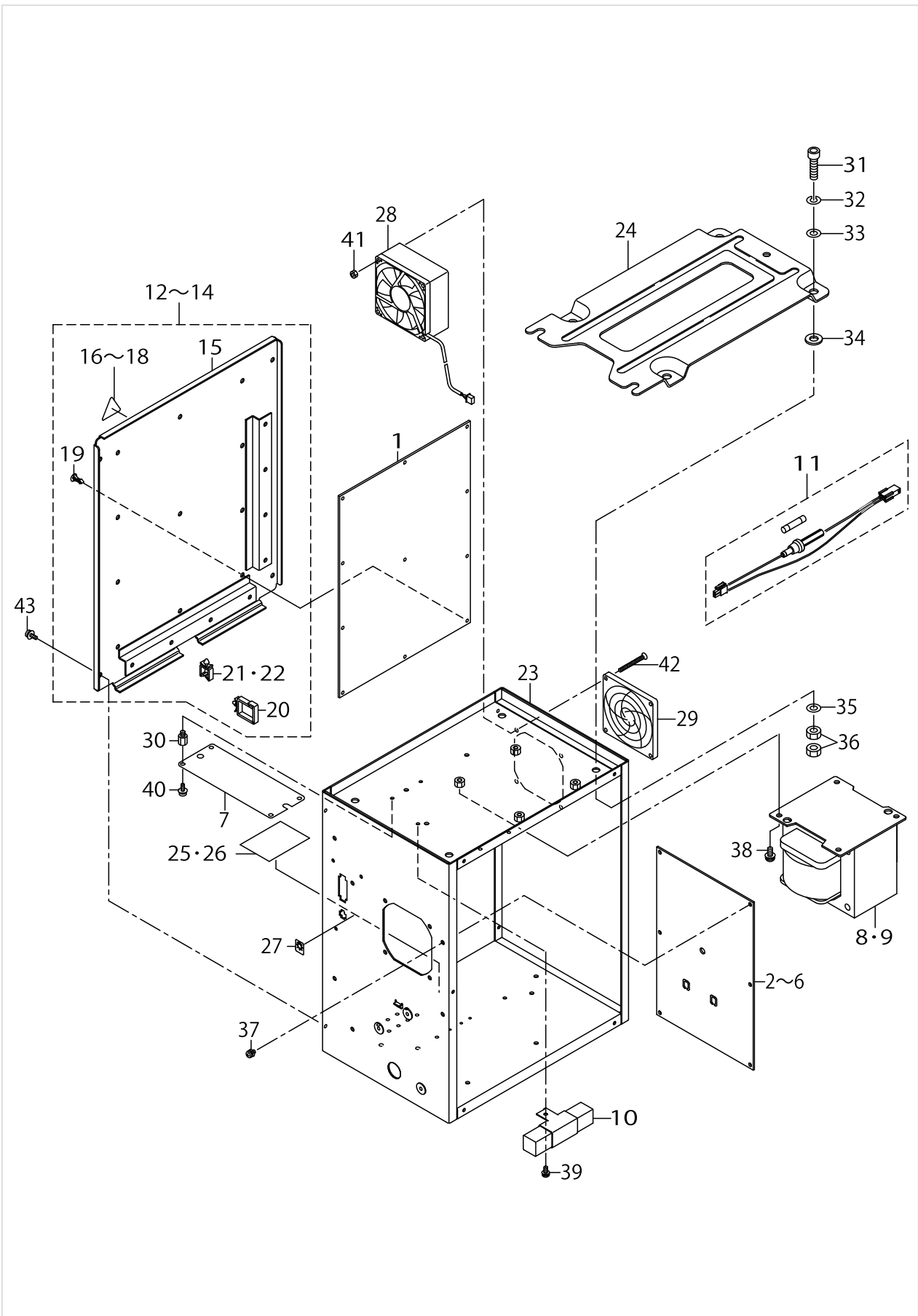
CP-760 PANEL COMPONENTS



CP-760 PANEL COMPONENTS

No.	Parts No.	Parts name	Remarks	Level	Cons	Qty
1	M2501388AAA	CP-760 PANEL ASM.				1
2	M1101388AA0	CP-760 SWITCH ASM.		*		1
3	M8601388AA0	CP BOARD A ASM.		*		1
4	M8501388AA0	PANEL CORD ASM.		*		1
5	M1008371000	FRONT PANEL TYPE B		*		1
6	M1009388000	BACK PANEL		*		1
7	M1003371000	CORD EXIT COVER		*		1
8	M1003370000	SPEED ADJUSTING KNOB, A		*		1
9	M1005371000	INDICATION WINDOW		*		1
10	SM4030801SC	SCREW M3 X 8		*		6
11	SV4031006SR	SCREW M3 L=10		*		4
12	M1001388AA0	PANEL BRACKET ASM.		*		1
13	B3319704L00	THREAD GUIDE		*		1
14	B1111232000	THREAD GUIDE PLATE		*		1
15	SS7150740SP	SCREW 15/64-28 L=7		*		1
16	M1001388000	PANEL BRACKET		*		1
17	SV4031605SR	SCREW M3 L=16		*		2
18	SS4121215SP	SCREW 3/16-28 L=12	ACCESSORIE PARTS			2
19	WP0550800SP	WASHER 5.5X10X0.8	ACCESSORIE PARTS			2
20	B1144771000	FRAME SIDE COVER GASKET (C)	ACCESSORIE PARTS			2

SC-905 TRANSMISSION COMPONENTS (1)

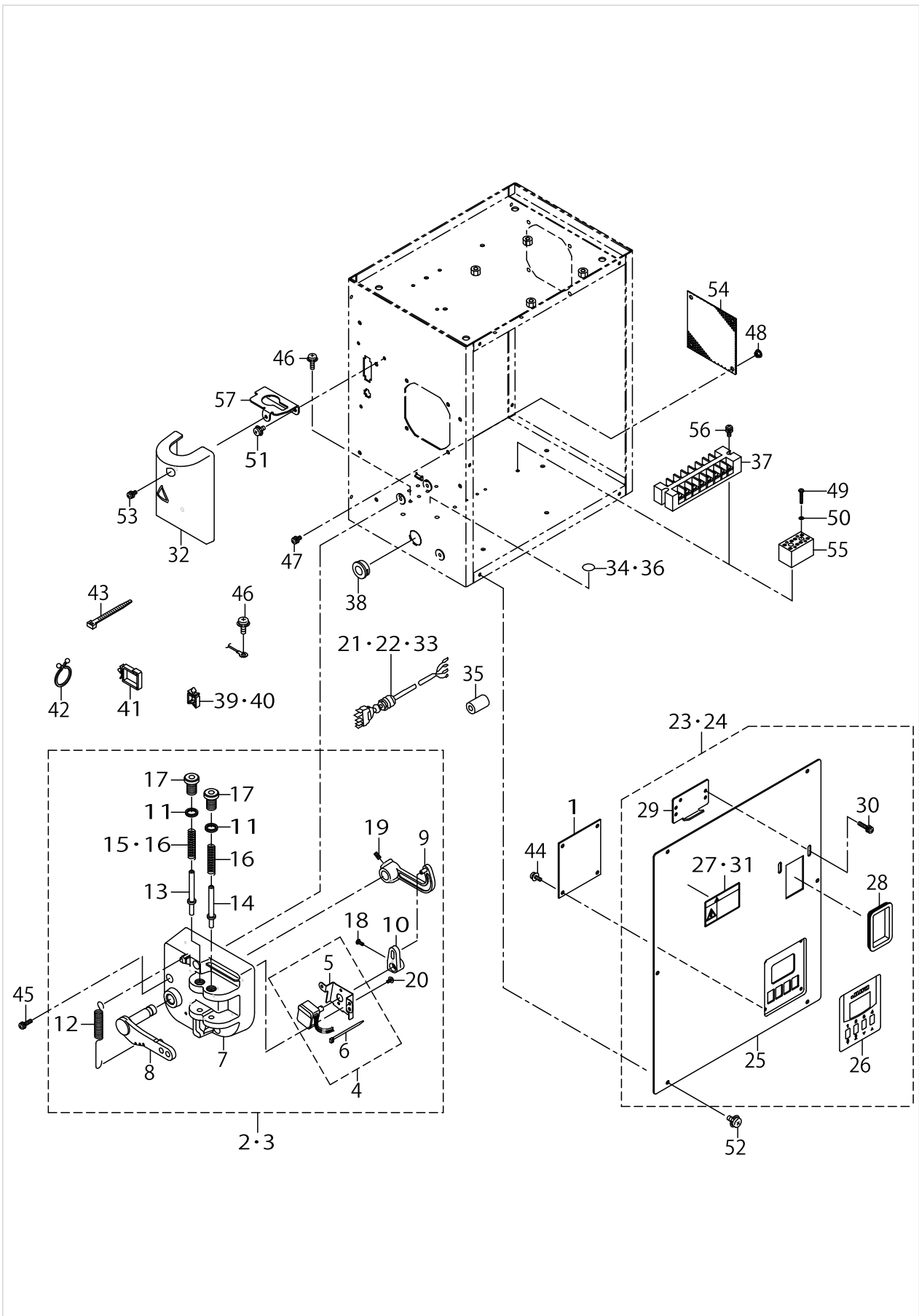


SC-905 TRANSMISSION COMPONENTS (1)

No.	Parts No.	Parts name	Remarks	Level	Cons	Qty
1	M8601476AA0	CTL BOARD A ASM.				1
2	M8602476AA0	PWR BOARD A ASM.	FOR JAPAN			1
3	M8602476BA0	PWR BOARD B ASM.	FOR JUS,GENERAL EXPORT 220V 3 $\phi$			1
4	M8602476CA0	PWR BOARD C ASM.	FOR GENERAL EXPORT 220V 1 $\phi$			1
5	M8602476DA0	PWR BOARD D ASM.	FOR CE			1
6	M8602476FA0	PWR BOARD F ASM.	FOR JUS 120V 1 $\phi$			1
7	M8605471BA0	FTR BOARD B ASM.	FOR CE			1
8	M8501476AA0	TRANSFORMER A ASM.	EXCEPT CE			1
9	M8501476BA0	TRANSFORMER B ASM.	FOR CE			1
10	M8502476AA0	REGENERATIVE RESISTANCE A ASM.				1
11	M8511461AA0	LAMP FUSE A ASM.	FOR JUS			1
12	M3401476AA0	REAR COVER A ASM.	FOR JAPAN			1
13	M3401476BA0	REAR COVER B ASM.	FOR CE			1
14	M3401476CA0	REAR COVER C ASM.	EXCEPT JAPAN,CE			1
15	M3401476000	TRANSMISSION BOX REAR COVER		*		1
16	CM300100302	LABEL(SMALL)	FOR CE	*		1
17	CM300100101	DANGER LABEL (SMALL)	FOR JAPAN	*		1
18	CM300100001	LABEL	EXCEPT JAPAN,CE	*		1
19	HX00269000A	PCB SUPPORT		*		11
20	HX005110000	WIRE SADDLE		*		3
21	HX00222000A	CABLE CLAMP		*		2
22	HX00222000B	CABLE CLAMP		*		1
23	M3001476000	TRANSMISSION BOX				1
24	M3801476000	TRANSMISSION BOX FITTING PLATE				1
25	M7002476A00	SEAL A	EXCEPT CE			1
26	M7002476B00	SEAL B	FOR CE			1
27	M7003461000	LAMP LABEL	EXCEPT CE			1
28	M85405900A0	FAN ASM.				1
29	HM000860010	FAN FILTER				1
30	HX003390000	STUD	FOR CE			4
31	SM6083002TN	SCREW M8 L=30				4
32	WS0820002KR	SPRING WASHER, M8				4
33	WP0841601SC	WASHER 8.4X17.4X1.6				4
34	M4206461000	WASHER				4
35	WP0841601SC	WASHER 8.4X17.4X1.6				4
36	NM6080001SC	NUT M8X1.25				8
37	SL4040891SC	SCREW M4 L=8				4
38	SL4051291SC	SCREW M5X0.8 L=12				4
39	SL4041081SF	SCREW M4 L=10				1
40	SL4040691SC	SCREW M4 L=6	FOR CE			4
41	NM3040520SF	FLANGE NUT M4				2
42	SM1044050SM	SCREW M4X0.7 L=40				2
43	SL4041091SC	SCREW M4 L=10				4



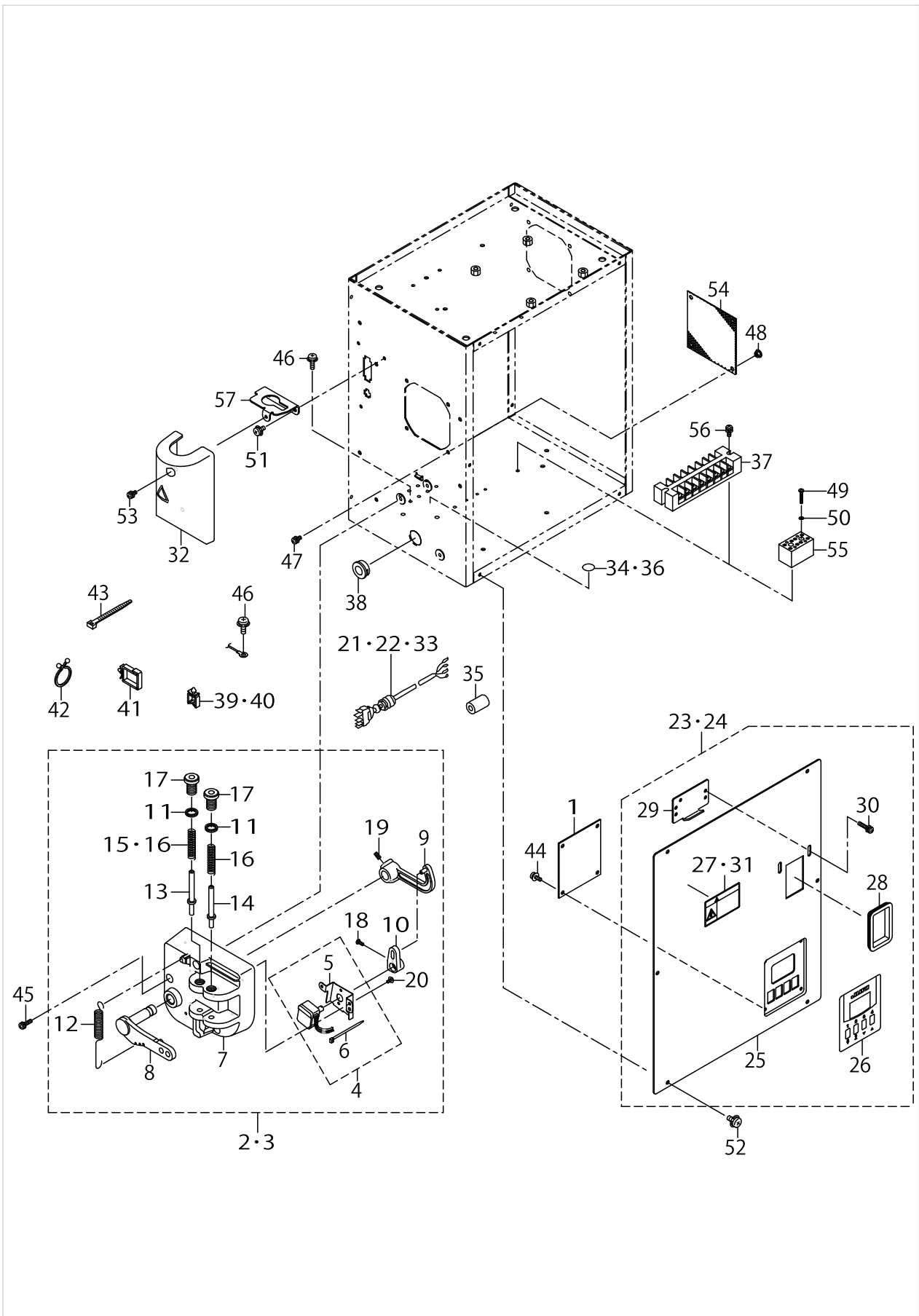
SC-905 TRANSMISSION COMPONENTS (2)



SC-905 TRANSMISSION COMPONENTS (2)

No.	Parts No.	Parts name	Remarks	Level	Cons	Qty
1	M8603476AA0	LP BOARD A ASM.				1
2	M4001476AA0	PEDAL SENSOR A ASM.	FOR STD PEDAL			1
3	M4001476BA0	PEDAL SENSOR B ASM.	FOR PFL PEDAL			1
4	M4006476AA0	SENSOR FITTING PLATE A ASM.		*		1
5	M4006461000	SENSOR INSTALLING PLATE		*		1
6	EA9500B0100	CABLE BAND		*		1
7	M4001461000	PEDAL SENSOR BASE		*		1
8	M4002461000	PEDAL LEVER		*		1
9	M4004461000	PEDAL RING		*		1
10	M4005461000	VOLUME LINK		*		1
11	M2010110000	ADJUST NUT		*		2
12	M4007351000	FRONT SPRING		*		1
13	M4008351000A	SPRING SHAFT A		*		1
14	M4009351000A	SPRING SHAFT B	FOR PFL PEDAL	*		1
15	M4010351000	SPRING A	FOR STD PEDAL	*		1
16	M4011351000	SPRING B	FOR PFL PEDAL	*		2
17	M4012351000	ADJUST SCREW		*		2
18	SM4030801SF	SCREW M3X0.5 L=8		*		1
19	SM8040802TP	SCREW M4X8		*		2
20	SV4030601SR	SCREW M3 L=6		*		2
21	M6102471AA0	PSC UNIT CABLE A ASM.	FOR JUS 220V 3φ			1
22	M6102471BA0	PSC UNIT CABLE B ASM.	FOR JUS 120V 1φ			1
23	M3201476AA0	FRONT COVER A ASM.	FOR JAPAN			1
24	M3201476CA0	FRONT COVER C ASM.	EXCEPT JAPAN			1
25	M3201476000	TRANSMISSION BOX FRONT COVER		*		1
26	M3202476000	LP WINDOW		*		1
27	CM300100101	DANGER LABEL (SMALL)	FOR JAPAN	*		1
28	HX004070000	BUSH		*		1
29	17845009	CORD FITTING PLATE		*		1
30	SL4042091SC	SCREW M4X0.7 L=20		*		2
31	CM300100001	LABEL	EXCEPT JAPAN	*		1
32	M3806461AA0	TERMINAL BASE COVER A ASM.	FOR JUS,CE			1
33	M6102476DA0	PSC UNIT CABLE D ASM.	FOR CE			1
34	CM200100001	PE MARK LABEL	FOR CE			1
35	HN00149000A	CLAMP FILTER	EXCEPT CE			1
36	E9567319000	EARTH MARK	EXCEPT CE			1
37	HK026650080	TERMINAL BASE 8P	EXCEPT CE			1
38	HX00188000D	BUSH				1
39	HX002220000	WIRE SADDLE				4
40	HX00222000A	CABLE CLAMP				4
41	HX005110000	WIRE SADDLE				2
42	HX005100000	OMEGALOCK				3
43	EA9500B0100	CABLE BAND	FOR JUS			2
44	SL4040881SF	SCREW M4 L=8				4
45	SL4041681SF	SCREW M4 L=16				3
46	SL4041091SE	SCREW M4 L=10				7
47	SL4041091SC	SCREW M4 L=10				4

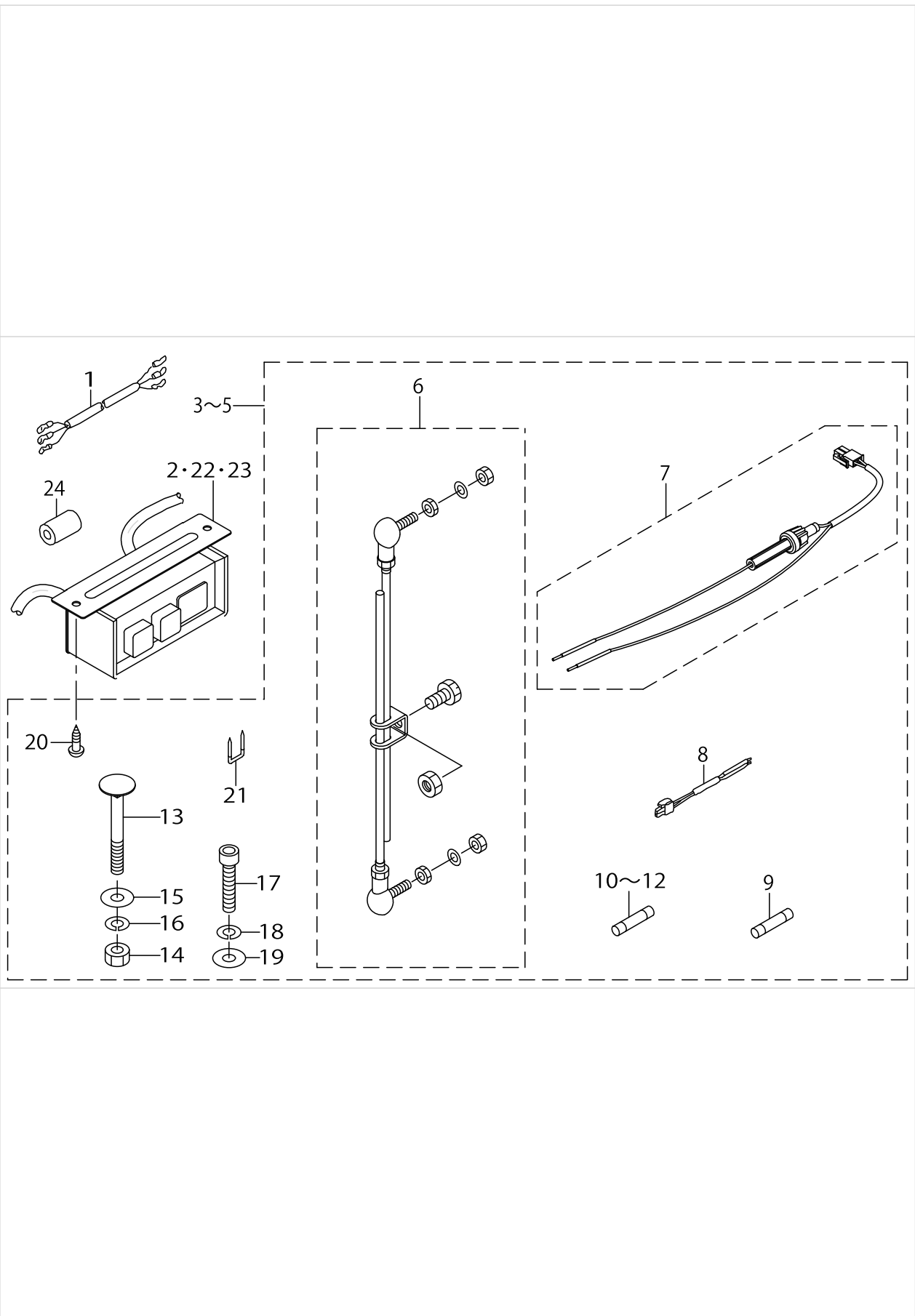
SC-905 TRANSMISSION COMPONENTS (2)



SC-905 TRANSMISSION COMPONENTS (2)

No.	Parts No.	Parts name	Remarks	Level	Cons	Qty
48	NM3040520SF	FLANGE NUT M4				4
49	SM4031851SR	SCREW	FOR CE			2
50	WS0310702KS	SPRING WASHER	FOR CE			2
51	SL4041091SC	SCREW M4 L=10	FOR JUS,CE			2
52	SL4041091SC	SCREW M4 L=10				6
53	SL4041081SC	SCREW M4 L=10	FOR JUS,CE			2
54	M1004581000	VENTILATION COVER				1
55	HK054250040	TERMINAL BASE	FOR CE			1
56	SL4041281SF	SCREW M4 L=12	EXCEPT CE			2
57	M3601476000	COVER FITTING PLATE	FOR JUS,CE			1

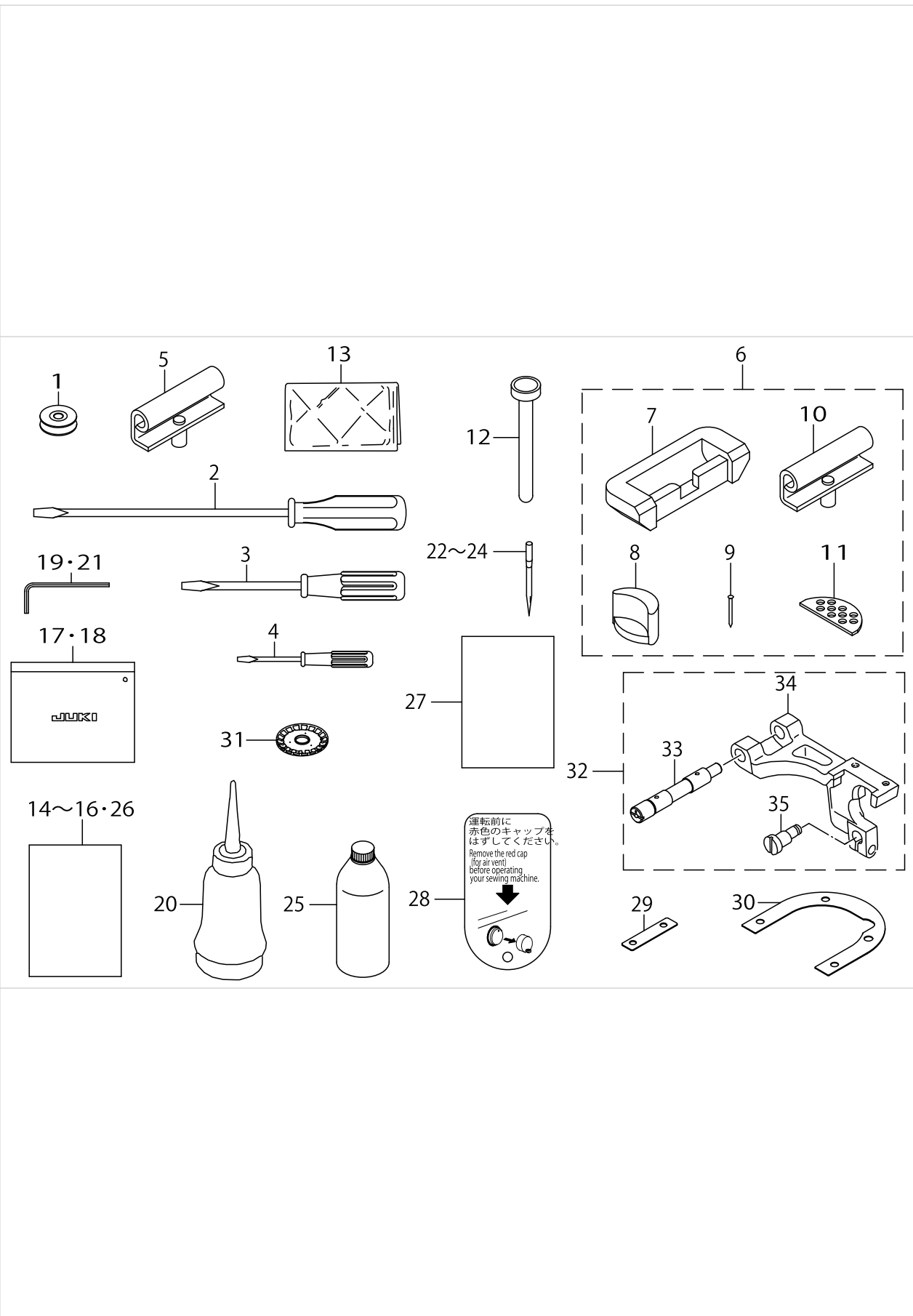
SC-905 ACCESSORIE PART COMPONENTS



SC-905 ACCESSORIE PART COMPONENTS

No.	Parts No.	Parts name	Remarks	Level	Cons	Qty
1	M6102461DAA	AC INPUT CABLE ASM.(CE)	FOR CE			1
2	M6101471BA0	POWER SOURCE SWITCH B ASM.	FOR JAPAN 100V 1 $\phi$			1
3	M4401476AA0	BOX ACCESSORIE PART A ASM.	FOR EXCEPT CE,JUS			1
4	M4401476BA0	BOX ACCESSORIE PART B ASM.	FOR CE			1
5	M4401476CA0	BOX ACCESSORIE PART C ASM.	FOR JUS			1
6	22958458	CONNECTING ROD ASM. B		*		1
7	M8525351AA0	LAMP FUSE HOLDER ASM., A	FOR EXCEPT CE,JUS	*		1
8	M8526351AA0	LAMP CORD ASM., A	FOR JUS	*		1
9	M9644110000	FUSE 8A	EXCEPT CE	*		1
10	HF0078020P0	FUSE 2A		*		1
11	HF0084063P0	FUSE		*		1
12	HF008101500	FUSE 250VT 15A		*		1
13	MTSHJ100003	BOLT		*		2
14	NM6080002SC	NUT M8		*		2
15	WP0852086SC	WASHER M8		*		2
16	WS0820002KR	SPRING WASHER, M8		*		2
17	SM6084002TN	SCREW M8 L=40		*		1
18	WS0820002KR	SPRING WASHER, M8		*		1
19	WP0841601SC	WASHER 8.4X17.4X1.6		*		1
20	SK3512001SE	WOOD SCREW D=5.1 L=20	FOR EXCEPT CE,JUS	*		2
21	MAO11532000	CORD STAPLE	EXCEPT JUS	*		5
22	M6101471CA0	POWER SWITCH C ASM.	FOR GENERAL EXPORT 220V 1 $\phi$			1
23	M6101471AA0	POWER SWITCH A ASM.	FOR GENERAL EXPORT 220V 3 $\phi$ JAPAN 200V 3 $\phi$			1
24	HN00149000A	CLAMP FILTER	FOR CE			3

ACCESSORIE PART COMPONENTS

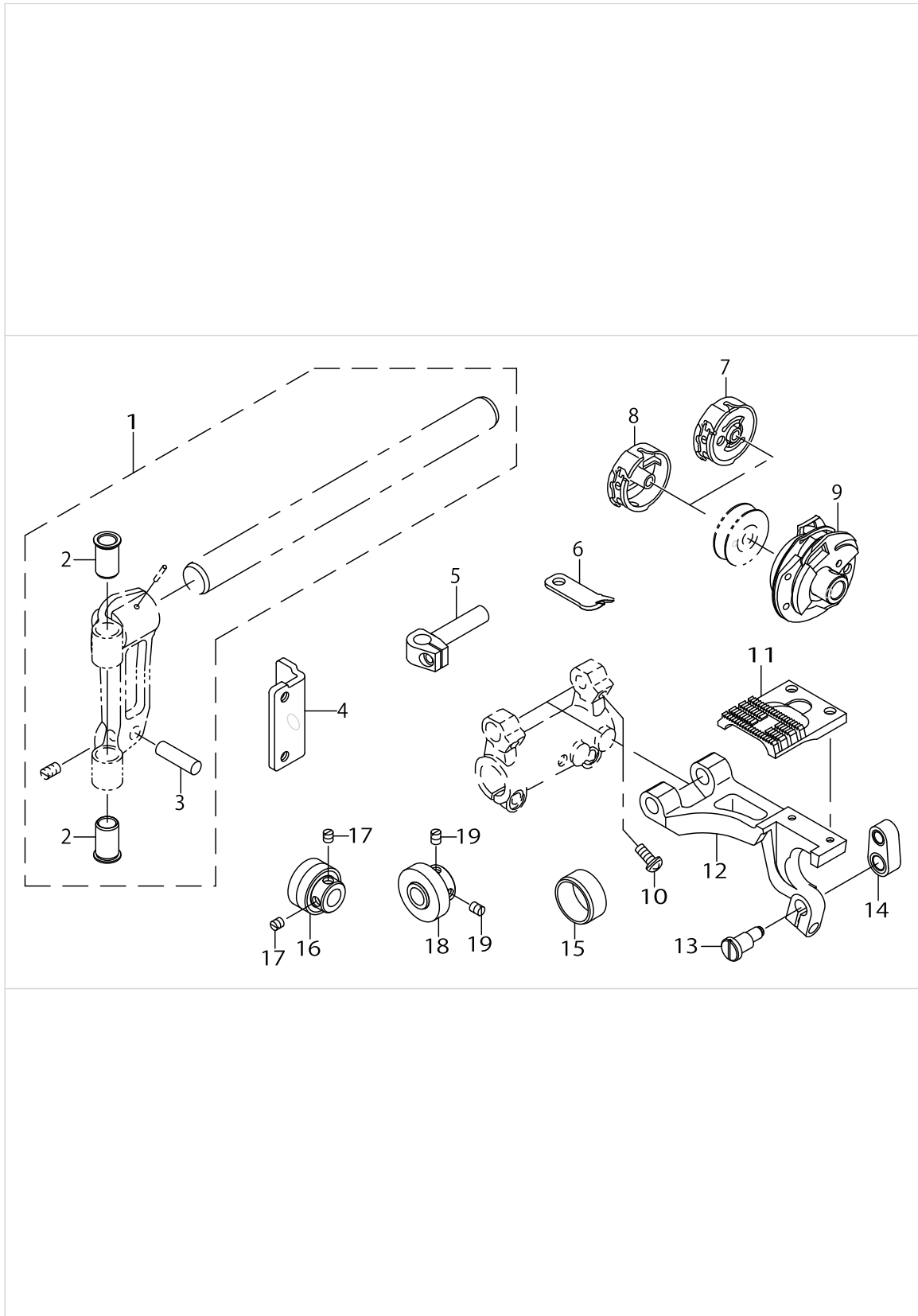


ACCESSORIE PART COMPONENTS

No.	Parts No.	Parts name	Remarks	Level	Cons	Qty
1	22596704	BOBBIN S				1
2	22933006	SCREW DRIVER,LARGE				1
3	22933105	SCREW DRIVER,MIDDLE				1
4	22933204	SCREW DRIVER,SMALL				1
5	22926356	HINGE COMPL.	VARIOUS NOS.FOR DESTINATIONS			1
6	22958052	RUBBER HINGE ASM.	VARIOUS NOS.FOR DESTINATIONS			1
7	22926000	RUBBER CUSHION		*		2
8	22958003	FRAME BUBBER CUSHION		*		2
9	22926208	NAIL		*		8
10	22926356	HINGE COMPL.		*		2
11	22926505	WASHER		*		2
12	23639701	KNEE LIFTER PRESSER ROD				1
13	B9118232000	VINYL COVER	VARIOUS NOS.FOR DESTINATIONS			1
14	29180403	EC PRODUCTION DECLARATION	VARIOUS NOS.FOR DESTINATIONS			1
15	29342201	INSTRUCTION MANUAL	VARIOUS NOS.FOR DESTINATIONS			1
16	29342300	INSTRUCTION MANUAL	VARIOUS NOS.FOR DESTINATIONS			1
17	22932800	ACCESSORIE BAG				1
18	B9101552000	ACCESSORY BOX				1
19	B9102057000	WRENCH (3/32)				1
20	B91210120A0	OILER ASM.				1
21	J106600000B	HEXAGONAL WRENCH KEY (2MM)				1
22	MC2005F0702	NEEDLE 134SUK 70-2	VARIOUS NOS.FOR DESTINATIONS			1
23	MC192300752	NEEDLE 438 #75-2	VARIOUS NOS.FOR DESTINATIONS			1
24	MDP500B1002	NEEDLE DPX5 #10-2	VARIOUS NOS.FOR DESTINATIONS			1
25	MDFRX1600C0	DEFRIX OIL NO.1(600CC)				1
26	29342102	PARTS LIST	VARIOUS NOS.FOR DESTINATIONS			1
27	29342409	SHEET				1
28	23640006	SHEET				1
29	10025906	SPACER	FOR LZ-2290SS-7			1
30	22503908	SPACER	FOR LZ-2290SS-7			1
31	23547557	THREAD TENSION DISK T COMPL.	OPTIONAL PARTS			1
32	23534951	R FEED KITS	SPECIAL ORDER PARTS			1
33	23534902	FEED BASE SHAFT R		*		1
34	22519706	FEED BASE		*		1
35	10026508	LINK PIN		*		1



COMMON PARTS FOR LZ-2290DS,LZ-2290DS-7,LZ-2290DU,LZ-2290DU-7



COMMON PARTS FOR LZ-2290DS,LZ-2290DS-7,LZ-2290DU,LZ-2290DU-7

No.	Parts No.	Parts name	Remarks	Level	Cons	Qty
1	23556053	NEEDLE ROD SUPPORT BASE D ASM.				1
2	23556004	NEEDLE ROD METAL D		*		2
3	23556301	SUPPORT BASE GUIDE SHAFT D		*		1
4	23556202	NEEDLE ROD CRANK ROD GUIDE D				1
5	23556103	NEEDLE ROD HOLDER D				1
6	23558109	INNER HOOK STOPPER D				1
7	23557556	BOBBIN CASE D ASM.				1
8	23557655	BOBBIN CASE D COMPL.				1
9	23557259	HOOK COMPL. D				1
10	SS4120915SP	SCREW 3/16-28 L=9	FOR LZ-2290DS,LZ-2290DS-7			2
11	23558208	FEED D				1
12	23558000	FEED BASE D	FOR LZ-2290DS,LZ-2290DS-7			1
13	23558406	VERTICAL FEED LINK SHAFT D	FOR LZ-2290DS,LZ-2290DS-7			1
14	23558554	VERTICAL FEED LINK D ASM.	FOR LZ-2290DS,LZ-2290DS-7			1
15	23557101	OIL SEAL COLLAR D				1
16	23557051	BEARING D AMS.				1
17	SS8110410TP	SCREW 11/64-40 L= 3.5				2
18	23535255	HOOK SHAFT BEARING ASM.				1
19	SS8110510SP	SCREW 11/64-40 L=5				2



# NUMERICAL INDEX OF PARTS

PART NO	PAGE	REF NO.	PART NO	PAGE	REF NO.	PART NO	PAGE	REF NO.
10000206	2	31	11110707	46	21	22529200	4	67
10001709	2	30	11110806	46	22	22529473	10	51
10004109	8	8	11111804	46	34	22529481	10	50
10004208	8	9	11112000	46	28	22536502	10	75
10004307	8	10	11214806	34	9·22	22537658	8	31
10006005	4	74	11302700	24	22	22538151	8	32
10006104	4	75	11314408	36	13	22538409	8	36
10008753	12	25	13530001	4	63	22541007	20	23·67
10022010	18	16	13530209	8	12	22552905	40	14
10022309	18	17	13530209	44	46	22554505	30	9
10025906	34	1	13705603	40	21	22554703	30	11
10025906	62	29	13747308	2	32	22554802	30	12
10026110	20	34	14101208	48	24	22554901	30	13
10026201	20	35	17845009	56	29	22555304	30	14
10026300	20	36	21157300	36	12	22555551	30	15
10026508	62	35	22501605	6	98	22555858	30	16
10026516	20	37	22501704	2	19	22556906	30	17
10026805	20	32	22502009	2	20	22557458	30	18
10027001	22	23·67	22502108	2	21	22557557	30	21
10027100	22	40·68	22502207	2	22	22557706	30	22
10027308	20	38	22502504	10	76·77	22557805	30	23
10029619	20	39	22502702	2	23	22557904	30	24
10055051	18	11	22503007	2	24	22558001	30	27
10162600	48	4	22503908	8	27	22558100	30	28
10208601	46	4	22503908	62	30	22558159	30	26
10208700	46	11	22504104	2	26	22558209	30	25
10208858	46	8	22505705	12	17	22558308	30	19
10502300	10	56	22506208	12	16	22558407	30	20
11001609	8	11	22507305	12	42	22561708	46	14
11015906	26	20	22507404	12	39	22561757	46	1
11018405	6	88	22507503	12	40	22561807	46	3
11040854	30	6	22507701	14	65	22561856	46	2
11041407	30	8	22507800	12	41	22561906	46	9
11043601	2	33	22507909	12	38	22561955	46	7
11047107	48	3	22515357	18	8	22562102	46	16
11071701	18	10	22515506	18	7	22562201	46	20
11071800	18	9	22519706	62	34	22580864	18	13
11071909	24	20·33	22519714	20	21	22581508	20	24
11072402	10	54	22520001	20	22	22582407	8	7
11072709	46	23	22525877	26	14	22584965	18	12
11093606	10	53	22528350	4	76	22596605	2	25
11100500	24	21	22528509	4	77	22596704	26	15
11110301	46	17	22528764	6	87	22596704	62	1
11110400	46	18	22529002	4	65	22683809	14	67
11110509	46	19	22529101	4	66	22888002	20	26

## NUMERICAL INDEX OF PARTS

PART NO	PAGE	REF NO.	PART NO	PAGE	REF NO.	PART NO	PAGE	REF NO.
22890008	26	31	23503154	18	14	23530702	16	15
22902605	2	27	23503162	18	15	23530801	16	16
22907406	18	18-19	23503402	26	16	23530900	16	29
22910509	20	14	23526205	2	2	23531007	16	17
22913107	34	5	23526312	2	3	23531114	14	60
22913206	34	3	23526403	2	4	23531213	14	66
22921407	4	78	23526502	8	1	23531304	18	1
22926000	62	7	23526601	8	2	23531403	18	2
22926208	62	9	23526700	8	3	23531502	18	3
22926356	62	10	23526809	8	4	23531601	18	4
22926505	62	11	23527005	2	5	23531908	20	2
22930309	50	14	23527104	2	6	23532005	20	20
22930358	50	1	23527203	8	5	23532104	20	7
22930408	50	10	23527401	6	97	23532203	20	10
22930507	50	9	23527500	8	29	23532302	20	8
22930705	50	7	23527559	8	28	23532401	20	9
22930804	50	5	23527807	12	2	23532500	20	1
22930903	50	4	23527906	12	1	23532609	20	5
22931000	50	3	23528003	12	3	23532708	20	19
22931109	50	2	23528102	12	4	23532807	20	6
22931208	50	15	23528201	12	10	23532906	20	3
22931307	50	11	23528250	12	5	23533003	20	4
22931406	50	8	23528359	12	6	23533102	20	13
22932404	48	6	23528458	12	7	23533151	20	12
22932453	48	5	23528508	10	47	23533201	20	11
22932800	62	17-18	23528557	10	46	23533300	20	17
22933006	62	2	23528607	10	48	23533359	20	16
22933105	62	3	23528706	12	34	23533409	24	3
22933204	62	4	23528755	12	33	23533508	24	5-31
22934202	48	26	23528805	12	36	23533607	24	19
22934251	48	25	23528904	12	37	23533706	24	1
22934301	48	27	23529100	14	52	23533805	24	2
22934400	48	28	23529159	14	51	23533904	24	4
22934509	48	29	23529209	14	53	23534001	24	6
22934608	48	30	23529308	14	54	23534209	24	11
22949002	30	7	23529407	14	56	23534258	24	10
22958003	62	8	23529506	14	55	23534308	24	9
22958052	62	6	23529605	14	61	23534407	24	8-32
22958458	60	6	23529704	14	62	23534506	24	30
23500960	2	1	23529803	14	59	23534902	62	33
23501356	34	8	23530009	16	2	23534951	62	32
23501604	34	11	23530066	16	1	23535008	26	4
23501703	34	10	23530116	16	3	23535107	26	1
23501802	34	4	23530355	16	8	23535255	26	2
23501901	34	2	23530611	16	14	23535255	64	18

# NUMERICAL INDEX OF PARTS

PART NO	PAGE	REF NO.	PART NO	PAGE	REF NO.	PART NO	PAGE	REF NO.
23535305	26	17	23539703	44	21	23545502	24	5-31
23535404	26	18	23539901	10	62	23547557	62	31
23535503	26	5	23540008	44	14	23556004	64	2
23535602	26	3	23540057	44	13	23556053	64	1
23535701	28	6	23540107	44	22	23556103	64	5
23535818	28	1	23540800	40	7	23556202	64	4
23535909	28	2	23540800	42	6	23556301	64	3
23536055	28	3	23540859	40	3	23557051	64	16
23536105	28	4	23540859	42	2	23557101	64	15
23536253	28	5	23540909	40	12	23557259	64	9
23536303	26	6~	23540909	42	11	23557556	64	7
		11-39	23541055	40	9	23557655	64	8
23536402	26	6~	23541055	42	8	23558000	64	12
		11-39	23541154	42	1	23558109	64	6
23536501	26	6~	23541303	10	65	23558208	64	11
		11-39	23541352	10	64	23558307	34	19
23536600	26	6~	23541451	10	70	23558406	34	20
		11-39	23541709	28	17	23558406	64	13
23536709	26	6~	23541808	30	5	23558554	64	14
		11-39	23541956	30	1	23559909	34	9-22
23536808	26	11-39	23542053	30	2	23600604	6	91
23536907	28	7	23542103	30	3	23601305	2	28
23537103	28	8	23542202	30	4	23604200	12	15
23537202	26	19	23542301	30	10	23604309	12	14
23537350	26	13	23542400	30	36	23604804	12	9
23537459	26	12	23542509	36	1	23605009	12	8
23537558	4	72-73	23542608	36	2	23609001	18	6
23537657	4	79	23542707	36	6	23609209	18	5
23537756	4	80	23542756	36	3	23612609	20	27
23537806	4	81	23542806	36	4	23612807	20	28
23537954	4	72-73	23543051	46	15	23612906	20	29
23538002	4	86	23543309	48	2	23613102	20	30
23538150	40	2	23543358	48	1	23613607	24	13
23538259	40	1	23544109	16	4~7	23613706	24	14
23538457	38	1	23544208	16	4~7	23613805	24	15
23538507	38	2	23544307	16	4~7	23613953	24	16
23538606	38	3	23544406	16	11~13	23616709	20	33
23538705	38	7	23544505	16	11~13	23626005	4	82
23538903	26	6~	23544604	16	11~13	23628357	44	17
		11-39	23544802	16	4~7	23628704	44	18
23539000	26	30	23545007	24	8-32	23628803	26	32
23539158	44	1	23545106	34	18	23628902	26	33
23539307	44	3	23545205	22	65	23629009	26	34
23539356	44	2	23545304	22	66	23629108	10	61
23539406	44	4	23545403	34	7	23629306	44	19
23539505	44	7						

# NUMERICAL INDEX OF PARTS

PART NO	PAGE	REF NO.	PART NO	PAGE	REF NO.	PART NO	PAGE	REF NO.
23629405	44	20	B1144771000	52	20	CQ220000000	44	10
23629504	44	23	B1148555000	8	37	CS1000811SP	22	70
23629603	44	24	B1505227T00A	18	18·19	CS100081CSP	22	69
23629801	44	25	B1510227000	18	20	CS100081CSP	28	18
23629900	2	29	B1516552000	18	21	CS1470710SH	20	47
23630007	44	39	B1517552000	18	22	D2056772B0B	30	35
23630106	44	41	B1521555000	18	23	D2107490D00	46	10
23630205	44	26	B1523226000	18	24	D2112555B00	4	64
23631104	36	5	B152989000CA	8	38	D2468555B00	36	7
23631708	40	4	B16085550A0	20	40·68	E5168172000	8	30
23631708	42	3	B1609804A00	20	41~45	E8760452G00	40	22
23631807	40	5	B1609804B00	20	41~45	E8760452G00	42	17
23631807	42	4	B1609804C00	20	41~45	E8760452J00	46	37
23631906	40	6	B1609804D00	20	41~45	E9567319000	56	34·36
23631906	42	5	B1609804E00	20	41~45	EA9500B0100	6	96
23632102	40	8	B1653470000	20	46	EA9500B0100	10	72
23632102	42	7	B1808552000	26	21	EA9500B0100	12	20
23636053	8	33	B2508704000	28	9	EA9500B0100	16	9
23636202	8	34	B3121352000	4	83·84	EA9500B0100	40	15
23636301	8	35	B3129012A00	4	83·84	EA9500B0100	42	16
23638109	10	66	B3205210000	8	39	EA9500B0100	56	43
23638208	10	67	B3212761000	8	40	EA9500B0200	10	60
23638307	10	68	B3214047000	10	52	G1615880000	28	11
23638406	10	69	B3319704L00	52	13	GAK33041000	18	28
23639107	48	9	B3416552000	18	25	GPR01015000	2	36
23639156	48	8	B3416555000	18	26	HA000590000	46	25
23639206	48	12	B3431581000	18	27	HF0078020P0	60	10~12
23639305	48	13	B3518280000	44	8	HF008101500	60	10~12
23639404	48	14	B3536122000	44	16	HF0084063P0	60	10~12
23639503	48	15	B3538112000	2	34	HK016530000	40	16
23639602	8	25	B9101552000	62	17·18	HK016530000	42	13
23639602	48	16	B9102057000	62	19·21	HK016590060	40	17
23639701	62	12	B9118232000	62	13	HK016590060	42	14
23640006	62	28	B91210120A0	62	20	HK026650080	56	37
26302000	24	20·33	CM200100001	56	34·36	HK034610060	10	71
29180403	62	14~ 16·26	CM300100001	54	16~18	HK034630000	46	24
29342102	62	14~ 16·26	CM300100001	56	27·31	HK03464000B	36	11
29342201	62	14~ 16·26	CM300100101	54	16~18	HK054250040	58	55
29342300	62	14~ 16·26	CM300100101	56	27·31	HM000860010	54	29
29342409	62	27	CM300100302	54	16~18	HN00149000A	56	35
B1111232000	52	14	CM300200001	2	35	HN00149000A	60	24
B1114012000	10	76·77	CM300200001	8	13	HW200390000	46	27
			CM3002000A1	8	14	HW5F18S1228	46	26
			CM300200101	8	15·16	HX00188000D	56	38
			CM3002001A1	8	15·16	HX002220000	56	39·40

# NUMERICAL INDEX OF PARTS

PART NO	PAGE	REF NO.	PART NO	PAGE	REF NO.	PART NO	PAGE	REF NO.
HX00222000A	54	21·22	M4010351000	56	15·16	M8601476AA0	54	1
HX00222000A	56	39·40	M4011351000	56	15·16	M8602476AA0	54	2~6
HX00222000B	54	21·22	M4012351000	56	17	M8602476BA0	54	2~6
HX00269000A	54	19	M4206461000	54	34	M8602476CA0	54	2~6
HX003390000	54	30	M4401476AA0	60	3~5	M8602476DA0	54	2~6
HX004070000	56	28	M4401476BA0	60	3~5	M8602476FA0	54	2~6
HX005100000	56	42	M4401476CA0	60	3~5	M8603476AA0	56	1
HX005110000	54	20	M6001471AA0	12	18	M8605471BA0	54	7
HX005110000	56	41	M6095350CAA	2	7~14	M9644110000	60	9
J106600000B	62	19·21	M6095350CAF	2	7~14	MAO11532000	60	21
KM000000350	16	18	M6096350CAF	2	7~14	MC192300750	12	43~45
M1001388000	52	16	M6096350CAL	2	7~14	MC192300752	62	22~24
M1001388AA0	52	12	M6098350CAA	2	7~14	MC2005F0700	12	43~45
M1003370000	52	8	M6098350CAF	2	7~14	MC2005F0702	62	22~24
M1003371000	52	7	M6099350CAF	2	7~14	MDFRX1600C0	62	25
M1004581000	58	54	M6099350CAL	2	7~14	MDP500B1000	12	43~45
M1005371000	52	9	M6101471AA0	60	2·22·23	MDP500B1002	62	22~24
M1008371000	52	5	M6101471BA0	60	2·22·23	MTSHJ100003	60	13
M1009388000	52	6	M6101471CA0	60	2·22·23	NM3040520SF	54	41
M1101388AA0	52	2	M6102461DAA	60	1	NM3040520SF	58	48
M2010110000	56	11	M6102471AA0	56	21·22·33	NM3050610SF	44	47
M2501388AAA	52	1	M6102471BA0	56	21·22·33	NM6030001SC	40	19
M3001476000	54	23	M6102476DA0	56	21·22·33	NM6040001SN	40	20
M3201476000	56	25	M68014710A0	12	19	NM6050001SE	50	17
M3201476AA0	56	23·24	M7002476A00	54	25·26	NM6060001SE	48	11
M3201476CA0	56	23·24	M7002476B00	54	25·26	NM6080001SC	54	36
M3202476000	56	26	M7003461000	54	27	NM6080002SC	60	14
M3401476000	54	15	M8002430000	44	34	NM6160511SE	50	18
M3401476AA0	54	12~14	M8501388AA0	52	4	NP210300000	30	33
M3401476BA0	54	12~14	M8501476AA0	54	8·9	NS6110310SP	10	55
M3401476CA0	54	12~14	M8501476BA0	54	8·9	NS6110310SP	46	38
M3601476000	58	57	M8502476AA0	54	10	NS6110350SP	6	93
M3801476000	54	24	M8511461AA0	54	11	NS6110350SP	36	14
M3806461AA0	56	32	M8520476AA0	2	15~18	NS6120310SP	22	48
M4001461000	56	7	M8520476BA0	2	15~18	NS6150310SP	20	31
M4001476AA0	56	2·3	M8521476AA0	2	15~18	NS6150310SP	24	18
M4001476BA0	56	2·3	M8521476BA0	2	15~18	NS6150310SP	30	37
M4002461000	56	8	M8522476AA0	40	18	NS6150310SP	48	17
M4004461000	56	9	M8522476BA0	42	15	NS6150430SP	30	38
M4005461000	56	10	M8523476AA0	16	19	NS6620310SP	18	29
M4006461000	56	5	M8524476AA0	8	6	NS6680410SP	22	49
M4006476AA0	56	4	M8525351AA0	60	7	PS0300122KH	24	7
M4007351000	56	12	M8526351AA0	60	8	PS0300182KF	40	23
M4008351000A	56	13	M85405900A0	54	28	PS0400222K0	14	57
M4009351000A	56	14	M8601388AA0	52	3	PS0800202KH	6	95



# NUMERICAL INDEX OF PARTS

PART NO	PAGE	REF NO.	PART NO	PAGE	REF NO.	PART NO	PAGE	REF NO.
RC0150001KP	20	25	SD0791503SP	30	45	SM8063012TR	48	10
RC0330415KP	34	14	SD0900701TP	22	53	SM9061203SE	48	31
RC0560711KP	8	41	SD0951501SP	36	16	SM9061853SR	48	22
RE0250000K0	30	39	SK3512001SE	60	20	SM9062053SR	48	7
RE0300000K0	22	50	SL4040691SC	54	40	SS1090510SP	30	30
RE0320000K0	46	6	SL4040881SC	12	23	SS1090930SP	12	26
RE0400000K0	6	90	SL4040881SF	56	44	SS1110821TP	24	28
RE0400000K0	30	40	SL4040891SC	54	37	SS1110840SP	2	42
RE0500000K0	8	42	SL4041081SC	58	53	SS1151310TP	16	30
RE0500000K0	18	30	SL4041081SF	54	39	SS2090710SP	8	17
RE0500000K0	22	51	SL4041091SC	54	43	SS2090710TP	2	43
RE0500000K0	30	41	SL4041091SC	56	52	SS2090810SP	8	18
RE0600000K0	18	31	SL4041091SC	58	52	SS2110920TP	30	47
RE0600000K0	30	43	SL4041091SE	56	46	SS2111010TP	32	48
RE1000000K0	48	19	SL4041281SF	58	56	SS3090520SP	46	13
RE1200000K0	36	8	SL4041681SF	56	45	SS4080610SP	22	54
RO036080200	26	22	SL4042091SC	56	30	SS4110515SP	40	13
RO037180100	14	63	SL4051091SC	8	26	SS4110515SP	42	12
RO037180100	18	32	SL4051291SC	54	38	SS4110615SP	44	32
RO037180100	44	6	SL6052092TN	44	45	SS4110715SP	14	50
RO048190100	26	23	SL6052592TN	6	92	SS4110815SP	44	30
RO068190100	26	35	SL6052592TN	12	24	SS4110915SP	4	68
RO080150200	2	37	SM1044050SM	54	42	SS4110915SP	14	49
RO092270200	8	43	SM4021201SC	10	73	SS4110915SP	26	24
RO098240100	2	38	SM4030501SN	10	49	SS4110915SP	32	49
RO098240100	44	27	SM4030601SN	46	32	SS4111415SP	44	33
RO137230100	6	94	SM4030655SP	16	22	SS4120615SP	4	47
RO172180100	26	36	SM4030801SC	52	10	SS4120615SP	8	21
RO195240100	2	39	SM4030801SF	56	18	SS4120615SP	44	44
RO195240100	44	28	SM4031851SR	58	49	SS4120615SP	46	40
SB108000400	12	35	SM4040601SC	30	46	SS4120915SP	10	74
SB120000800	12	21	SM4051255SP	16	23	SS4120915SP	22	55
SB120000900	12	22	SM4051405SE	50	12	SS4120915SP	64	10
SB310001000	28	12	SM4860801SN	16	24	SS4121015SP	4	49
SD0600271SP	46	39	SM6041002TP	16	25	SS4121015SP	8	23
SD0600291TP	30	44	SM6061610SC	50	6	SS4121015SP	40	24
SD0600321SP	22	52	SM6083002TN	54	31	SS4121215SP	16	31
SD0600321SP	36	15	SM6084002TN	60	17	SS4121215SP	52	18
SD0600341TP	18	33	SM8040612TP	16	26	SS4121615SP	44	31
SD0630275SP	18	34	SM8040802TP	56	19	SS4150915SP	4	50
SD0630301SP	18	35	SM8050612TP	16	27	SS4150915SP	22	57
SD0630371SP	18	36	SM8050612TP	34	15	SS4150915SP	32	50
SD0640751SP	2	40	SM8060812TP	12	31	SS4150915SP	36	17
SD0650321TP	46	30	SM8060812TP	24	23	SS5110710SP	22	58
SD0720331SP	48	20	SM8060812TP	28	16	SS6060210SP	8	24

NUMERICAL INDEX OF PARTS

PART NO	PAGE	REF NO.	PART NO	PAGE	REF NO.	PART NO	PAGE	REF NO.
SS6090420SP	4	51	SS8110520TP	22	71	WP1703001SC	36	10
SS6090520SP	8	44	SS8110750SP	6	89	WS0270002KN	30	34
SS6090540SP	4	69	SS8110750SP	28	14	WS0310002KR	46	33
SS6090620TP	10	57	SS8111251SP	10	59	WS0310702KS	58	50
SS6110820TP	34	13	SS8111251SP	26	37	WS0510002KN	50	16
SS6111040SP	46	36	SS8120740SP	14	58	WS0510002KP	4	61
SS6121030SN	10	58	SS8150510TP	18	39	WS0820002KR	54	32
SS6121610SP	24	17	SS8151230SP	14	64	WS0820002KR	60	18
SS6121840SP	24	24	SS8151230SP	38	8	WS1643202KR	50	20
SS6121860SP	24	27	SS8151720SP	18	40	WZ0641510KP	4	62
SS6580752TP	4	70	SS8660610TP	12	32			
SS6580752TP	22	59	SS8660612TP	14	68			
SS6660710TP	28	19	SS8660612TP	20	18			
SS6700710SH	4	52	SS8660810TP	22	64			
SS7060310SP	14	48	SS8660810TP	26	28			
SS7060310SP	30	32	SS8660810TP	28	15			
SS7080410SP	4	53	SS8680730SP	12	30			
SS7080520SP	12	47	SV4030601SR	56	20			
SS7090410SP	4	54	SV4031006SR	52	11			
SS7090610SP	30	51	SV4031605SR	52	17			
SS7090610SP	32	51	TA0750404R0	26	38			
SS7090910TP	12	46	TA0800504R0	4	56			
SS7090910TP	18	37	TA0850604R0	44	42			
SS7091410SP	8	45	TA1250406R0	4	58			
SS7110510SP	16	20	TA2050406R0	26	29			
SS7110540SP	4	55	WP0320501SC	46	35			
SS7110740TP	34	6	WP03305000E	4	71			
SS7110740TP	36	9	WP0371016SD	46	12			
SS7110740TP	40	11	WP0460556SD	44	43			
SS7110740TP	42	10	WP0480856SP	34	16			
SS7110910TP	22	61	WP0480856SP	46	41			
SS7111110TP	18	38	WP0482016SZ	16	28			
SS7121410TP	16	21	WP0482086SD	46	42			
SS7121410TP	20	63	WP0500916SD	34	17			
SS7121410TP	22	63	WP0501016SD	4	59			
SS7121410TP	24	26	WP0520656SA	16	10			
SS7121410TP	34	21	WP0550800SP	52	19			
SS7150740SP	16	32	WP0621016SH	32	52			
SS7150740SP	52	15	WP0650876SD	48	23			
SS7681650TP	12	29	WP0651056SD	4	60			
SS8090670SP	4	85	WP0841601SC	54	35			
SS8110410TP	64	17	WP0841601SC	60	19			
SS8110422TP	38	6	WP0852086SC	60	15			
SS8110510SP	26	25	WP1651616SD	24	29			
SS8110510SP	64	19	WP1702600S0	50	19			