

MODEL : MB-1800 SERIES

List No : 1288-12

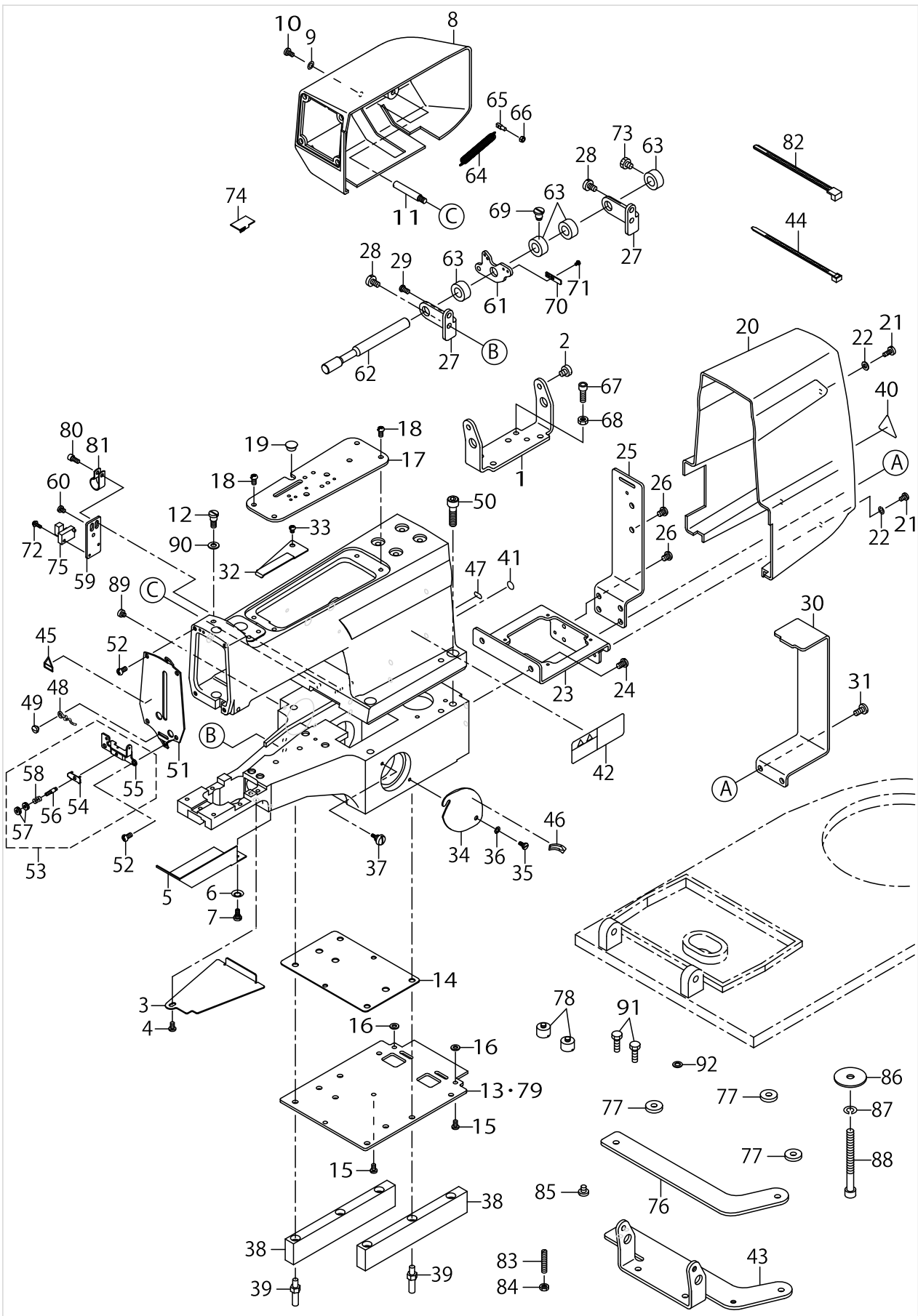
PARTS LIST

Published:09/10/2017

CONTENTS

FRAME & MISCELLANEOUS COVER COMPONENTS	1
BUTTON CLAMP MECHANISM COMPONENTS	5
LOOPER SHAFT MECHANISM COMPONENTS	7
THREAD TENSION RELEASE COMPONENTS.....	9
FEED MECHANISM COMPONENTS.....	11
PRESSER LIFTER & THREAD CUTTER COMPONENTS	13
NEEDLE BAR & NEEDLE DRIVING PULLEY SHAFT COMPONENTS	17
TRANSMISSION COMPONENTS.....	19
TABLE COMPONENTS	21
ACCESSORIE PARTS COMPONENTS	23
WIPER COMPONENTS (MB-1800A,MB-1800B,MB-1800C OPTION).....	27
BUTTON CLAMP MECHANISM COMPONENTS (FOR MB-1800A).....	29
ATTACHMENT COMPONENTS FOR MODEL MB-1800 (1).....	33
ATTACHMENT COMPONENTS FOR MODEL MB-1800 (2).....	37
ATTACHMENT COMPONENTS FOR MODEL MB-1800 (3).....	41
ATTACHMENT COMPONENTS FOR MODEL MB-1800 (4).....	43
LIST FOR INFORMATION OF CHANGE.....	45
HOW TO MAKE USE OF THIS PARTS LIST	46

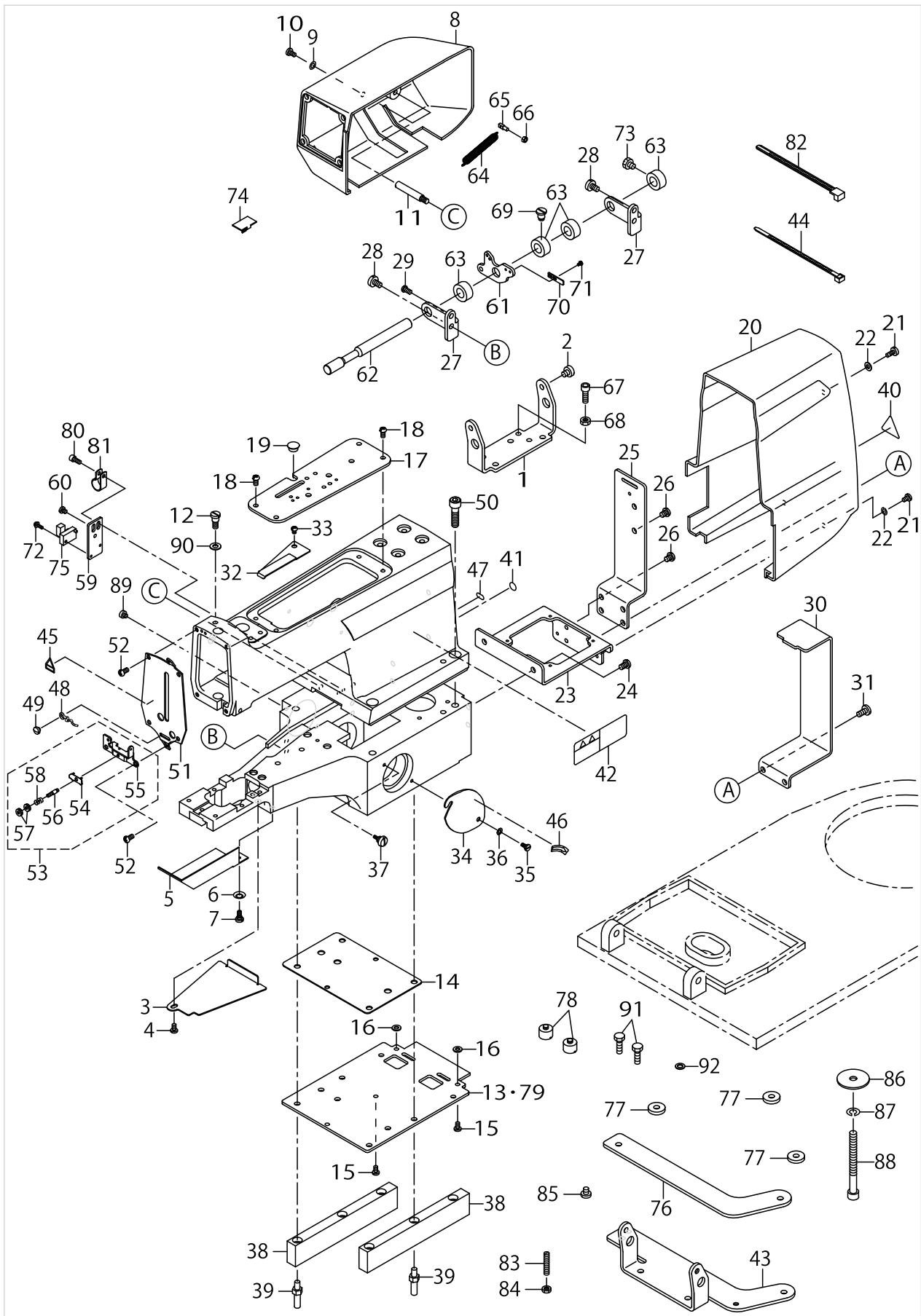
FRAME & MISCELLANEOUS COVER COMPONENTS



FRAME & MISCELLANEOUS COVER COMPONENTS

No.	Parts No.	Parts name	Remarks	Level	Cons	Qty
1	14600605	MACHINE SUB-BASE	EXCEPT MB-1800A			1
2	SS6660710TP	SCREW 1/4-40 L=7				2
3	14601801	BED COVER				1
4	SS7110840SP	SCREW 11/64-40 L=7.8				1
5	14600902	LOOPER COVER				1
6	WS0650389KP	SPRING WASHER 6.5X14.0X1.7				1
7	SD0600271SP	HINGE SCREW D=6 H=2.7				1
8	14601009	SIDE COVER				1
9	WP0501016SD	WASHER 5X10.5X1				2
10	SS7110840SP	SCREW 11/64-40 L=7.8				2
11	D8232555B00	BELT COVER SUPPORT				2
12	SD0790641SP	HINGE SCREW D=7.94 H=6.4				1
13	14600407	BASE COVER				1
14	14600506	BASE COVER PACKING				1
15	SS7110840SP	SCREW 11/64-40 L=7.8				4
16	WP0501016SD	WASHER 5X10.5X1				2
17	14600704	TOP COVER				1
18	SS4120915SP	SCREW 3/16-28 L=9				4
19	TA1050504R0	RUBBER PLUG				1
20	14600803	TRANSMISSION COVER				1
21	SS7110740TP	SCREW 11/64-40 L=7				3
22	WS0510002KP	SPRING WASHER 5.1X9.2X1.3				3
23	14602205	BASE GUIDE A				1
24	SS4150915SP	SCREW 15/64-28 L=9				2
25	14602304	BASE GUIDE B				1
26	SS4150715SP	SCREW 15/64-28 L=7				4
27	14601207	BED HINGE				2
28	SS6151040SP	SCREW 15/64-28 L=10				3
29	SS7150740SP	SCREW 15/64-28 L=7				1
30	14602403	TRANSMISSION COVER GUIDE	EXCEPT MB-1800A			1
31	SS7151210SP	SCREW 15/64-28 L=12	EXCEPT MB-1800A			2
32	14607808	THREAD CUTTING COVER				1
33	SS4110515SP	SCREW 11/64-40 L=5				1
34	14601405	MANUAL PULLEY COVER				1
35	SD0500251SP	HINGE SCREW D=5 H=2.5				1
36	WP0531000SD	WASHER M5				1
37	B2549372000	CLAMP SCREW A				1
38	14601603	RUBBER BASE				2
39	22602601	BED SCREW STUD				6
40	CM300100001	LABEL				1
41	10004109	GROUND MARK				1
42	CM301300001	SAFETY LABEL				1
43	40010067	MACHINE_SUB_BASE	EXCLUSIVE PARTS MB-1800A			1
44	HX00065000B	CABLE BAND				1
45	CM300200001	ATTENTION SEAL				1
46	CM500200001	DIRECTION LABEL.				1
47	CM200100001	PE MARK LABEL				1

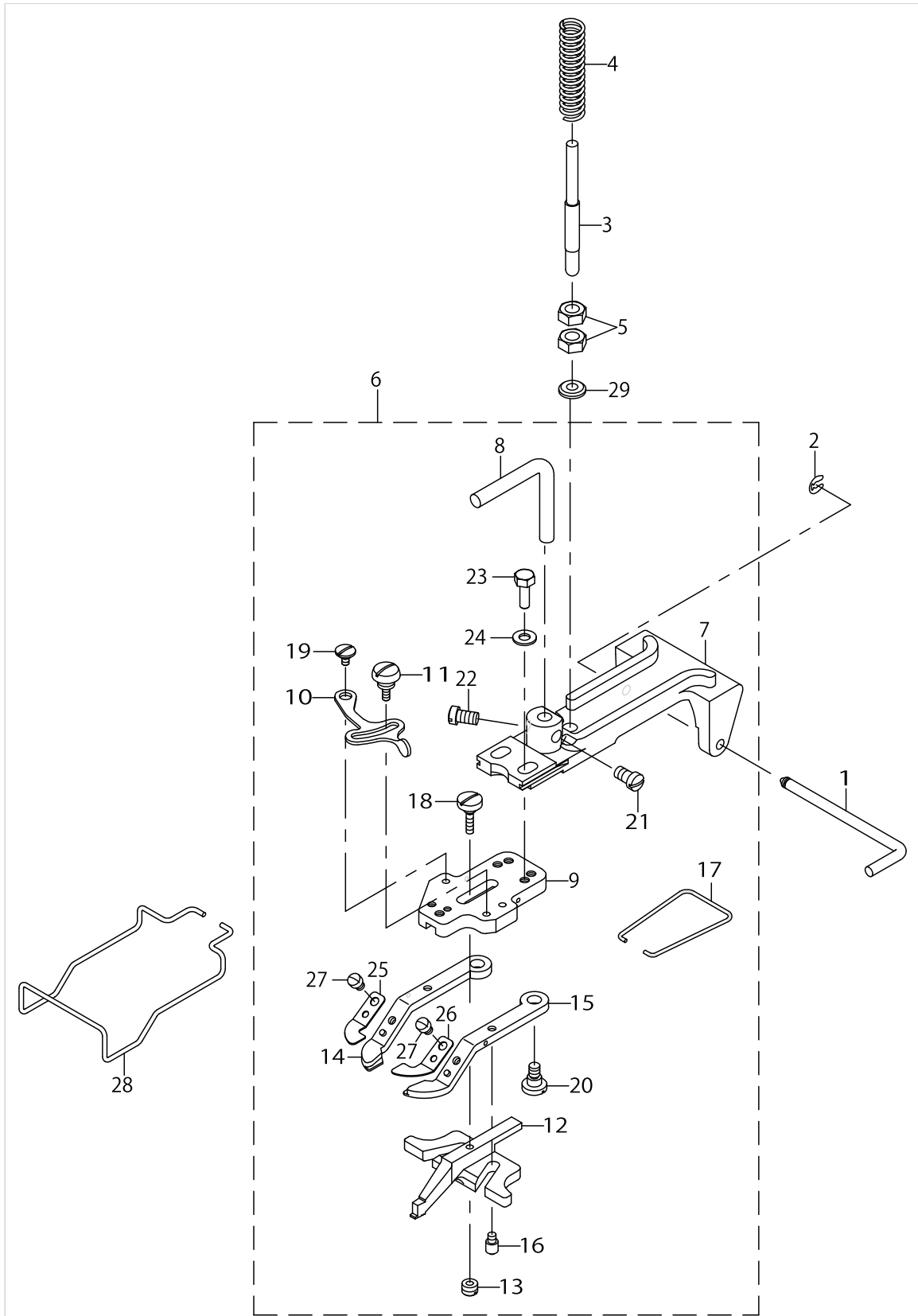
FRAME & MISCELLANEOUS COVER COMPONENTS



FRAME & MISCELLANEOUS COVER COMPONENTS

No.	Parts No.	Parts name	Remarks	Level	Cons	Qty
48	26031203	THREAD GUIDE NO.4				1
49	SS7110350SP	SCREW 11/64-40 L=3.5				1
50	SM6083042CH	SCREW M8 L=30				4
51	14601108	FRONT COVER				1
52	SS4120915SP	SCREW 3/16-28 L=9				4
53	26031351	THREAD TENSION NO.3 ASM.				1
54	26031401	THREAD PRESSER PLATE		*		1
55	26031302	TENSION ADJUSTING BASE NO.3		*		1
56	26031609	THREAD TENSION STUD		*		1
57	26031708	THREAD TENSION NUT		*		2
58	26031500	TENSION SPRING B		*		1
59	B4004210D00	X SENSOR INSTALLING PLATE				1
60	SS7110510SP	SCREW 11/64-40 L=5				1
61	14602007	STARTING LEVER				1
62	14601306	STARTING LEVER SHAFT				1
63	CS1201010SH	THRUST COLLAR ASM. D=12 W=10				4
64	B2410280000	TENSION SPRING				1
65	B3406581000	SUSPENSION SCREW				1
66	NS6090310SP	NUT 9/64-40				1
67	SS6151812TP	SCREW 15/64-28 L=18				1
68	NS6150430SP	NUT 15/64-28				1
69	SD0800681SP	HINGE SCREW D=8 H=6.8				1
70	MAO25026000	SENSOR PLATE				1
71	SS6060440TP	SCREW 3/32-56 L=3.5				2
72	SL4031091SC	SCREW M3X10				1
73	SS9660720SP	SCREW 1/4-40 L=7				1
74	HX00237000A	CORD KEEP				1
75	HD00057000A	PHOTO SENSOR				1
76	14611206	BASE SPACER	EXCLUSIVE PARTS MB-1800C			1
77	WP0704016SP	WASHER 7X20X4	EXCLUSIVE PARTS MB-1800A, MB-1800C			3
78	14611305	BASE COVER STUD	EXCLUSIVE PARTS MB-1800A, MB-1800C			2
79	14611800	BASE COVER BR	EXCLUSIVE PARTS MB-1800A, MB-1800C			1
80	SS6111052TP	SCREW				1
81	HX00150000F	CABLE CLIP				1
82	HX00292000A	CABLE BAND				1
83	SS8153010SR	SCREW 15/64-28 L=30	EXCLUSIVE PARTS MB-1800A, MB-1800C			2
84	NS6150310SP	NUT 15/64-28	EXCLUSIVE PARTS MB-1800A, MB-1800C			2
85	SS7150740SP	SCREW 15/64-28 L=7	EXCLUSIVE PARTS MB-1800A, MB-1800C			3
86	17008004	WASHER	EXCLUSIVE PARTS MB-1800A, MB-1800C			2
87	WS0820002KP	SPRING WASHER	EXCLUSIVE PARTS MB-1800A, MB-1800C			1
88	SM6088502TP	SCREW M8 L=85	EXCLUSIVE PARTS MB-1800A, MB-1800C			1
89	SS6110420TP	SCREW 11/64-40 L=4.8				1
90	WP0621016SD	WASHER 6.2X13X1	EXCLUSIVE PARTS MB-1800A, MB-1800C			1
91	SM9062003SC	SCREW M6 L=20	EXCLUSIVE PARTS MB-1800A			2
92	WP0651056SD	WASHER 6.5X11X1	EXCLUSIVE PARTS MB-1800A			1

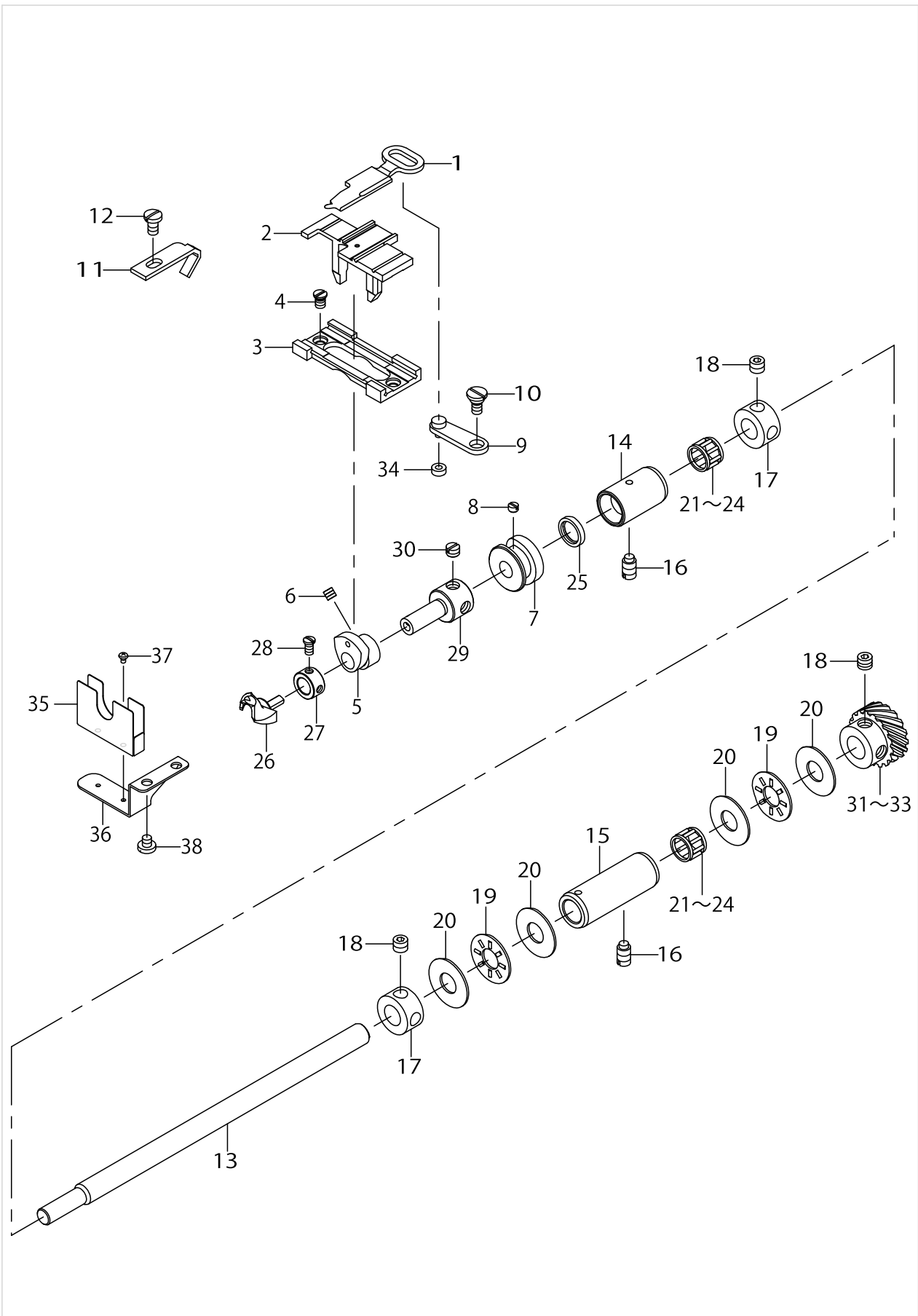
BUTTON CLAMP MECHANISM COMPONENTS



BUTTON CLAMP MECHANISM COMPONENTS

No.	Parts No.	Parts name	Remarks	Level	Cons	Qty
1	26025205	HINGE PIN				1
2	B2541372000	SNAP RING				1
3	26027003	BUTTONCLAMPPRESSUREADJUSTING				1
4	26027102	PRESSURE ADJUSTING SPRING				1
5	NS6660511SP	NUT 1/4-40				2
6	14602551	FLAT BUTTON COMPL.				1
7	26025502	BUTTON CLAMP HOLDER		*		1
8	14602502	BUTTON CLAMP LIFTING HOOK		*		1
9	40023556	JAW LEVER HOLDER		*		1
10	26025700	SNAP FASTENER CLAMP STOP LEVER		*		1
11	26025809	CLAMP SCREW A		*		1
12	26025908	BUTTON CLAMP SLIDE		*		1
13	26026005	SCREW B		*		1
14	26026104	BUTTON CLAMP LEVER JAW LEFT A		*		1
15	26026302	BUTTON CLAMP LEVER JAW RIGHT		*		1
16	26026609	BUTTON CLAMP STOP PIN		*		2
17	26026708	BUTTON CLAMP SPRING		*		1
18	SD0550301SP	HINGE SCREW D=5.5 H=3		*		1
19	SD0550181SP	HINGE SCREW D=5.50 H=1.8		*		1
20	SD0640391TP	HINGE SCREW D=6.35 H=3.9		*		2
21	SS7150940SP	SCREW 15/64-28 L=9		*		1
22	SS7150940SP	SCREW 15/64-28 L=9		*		1
23	SS9621413SP	SCREW 3/16-32 L=13.5		*		2
24	WP0501016SD	WASHER 5X10.5X1		*		2
25	26026203	SPRING LEFT		*		1
26	26026401	SPRING RIGHT		*		1
27	SS7090410SP	SCREW 9/64-40 L=3.5		*		2
28	26027409	FINGER GUARD				1
29	14602809	SPRING HOLDING PLATE				1

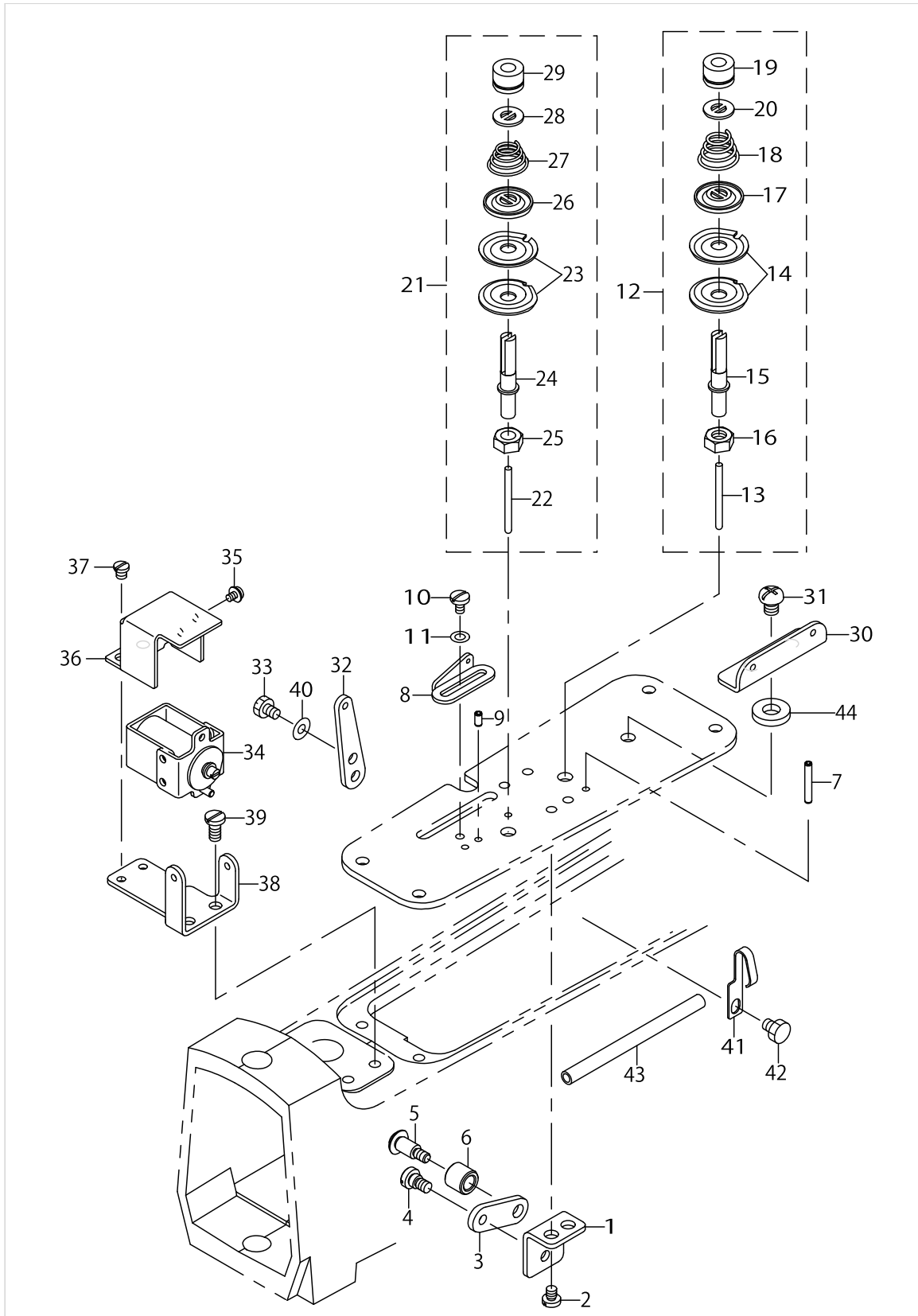
LOOPER SHAFT MECHANISM COMPONENTS



LOOPER SHAFT MECHANISM COMPONENTS

No.	Parts No.	Parts name	Remarks	Level	Cons	Qty
1	26013805	YOKE SLIDE				1
2	B1236373000	POSITIONING FINGER YOKE SLIDE				1
3	B1235373000	YOKE SLIDE INSERT				1
4	SS1110710SP	SCREW 11/64-40 L=7				2
5	B1234372A00	LOOP POSITIONING FINGER CAM A				1
6	SS8110410TP	SCREW 11/64-40 L=3.5				2
7	26015404	LOOP POSITIONING FINGER CAM REAR				1
8	SS8110310SP	SCREW 11/64-40 L=2.8				2
9	26003756	LOOP POSITIONING FINGER LEVER				1
10	SD0640241SP	HINGE SCREW D=6.35 H=2.4				1
11	26015206	NEEDLE GUIDE				1
12	SS7110840SP	SCREW 11/64-40 L=7.8				1
13	14603906	LOOPER SHAFT				1
14	14604003	LOOPER SHAFT BUSHING FRONT				1
15	14604102	LOOPER SHAFT BUSHING REAR				1
16	SS8151150TP	SCREW 15/64-28 L=10.5				2
17	CS1001011SH	THRUST COLLAR				2
18	SS8660512TP	SCREW 1/4-40 L=5				4
19	11272408	THRUST COLLAR				2
20	16992604	THRUST WASHER				4
21	SB31000080A	BEARING	SELECTIVE PARTS			2
22	SB31000080B	BEARING	SELECTIVE PARTS			2
23	SB31000080C	BEARING	SELECTIVE PARTS			2
24	SB31000080D	BEARING	SELECTIVE PARTS			2
25	10108009	OIL SEAL				1
26	B1239372000	LOOPER				1
27	CS0790721TH	THRUST COLLAR D=7.94 W=7				1
28	SS7090620TP	SCREW 9/64-40 L=6.1				1
29	26015503	CAM & LOOPER SLEEVE				1
30	SS8150410TP	SCREW 15/64-28 L=4.0				2
31	14604409	TOOTHED WHEEL D	SELECTIVE PARTS			1
32	14604508	TOOTHED WHEEL C	SELECTIVE PARTS			1
33	14604607	TOOTHED WHEEL B	SELECTIVE PARTS			1
34	B1232372000	LOOP POSITIONING FINGER LEVER				1
35	40013923	GREASE_COVER				1
36	40013924	GREASE_STAY				1
37	SM4020301SC	SCREW M2X0.4 L=3				2
38	SS7110410SP	SCREW 11/64-40 L=4				2

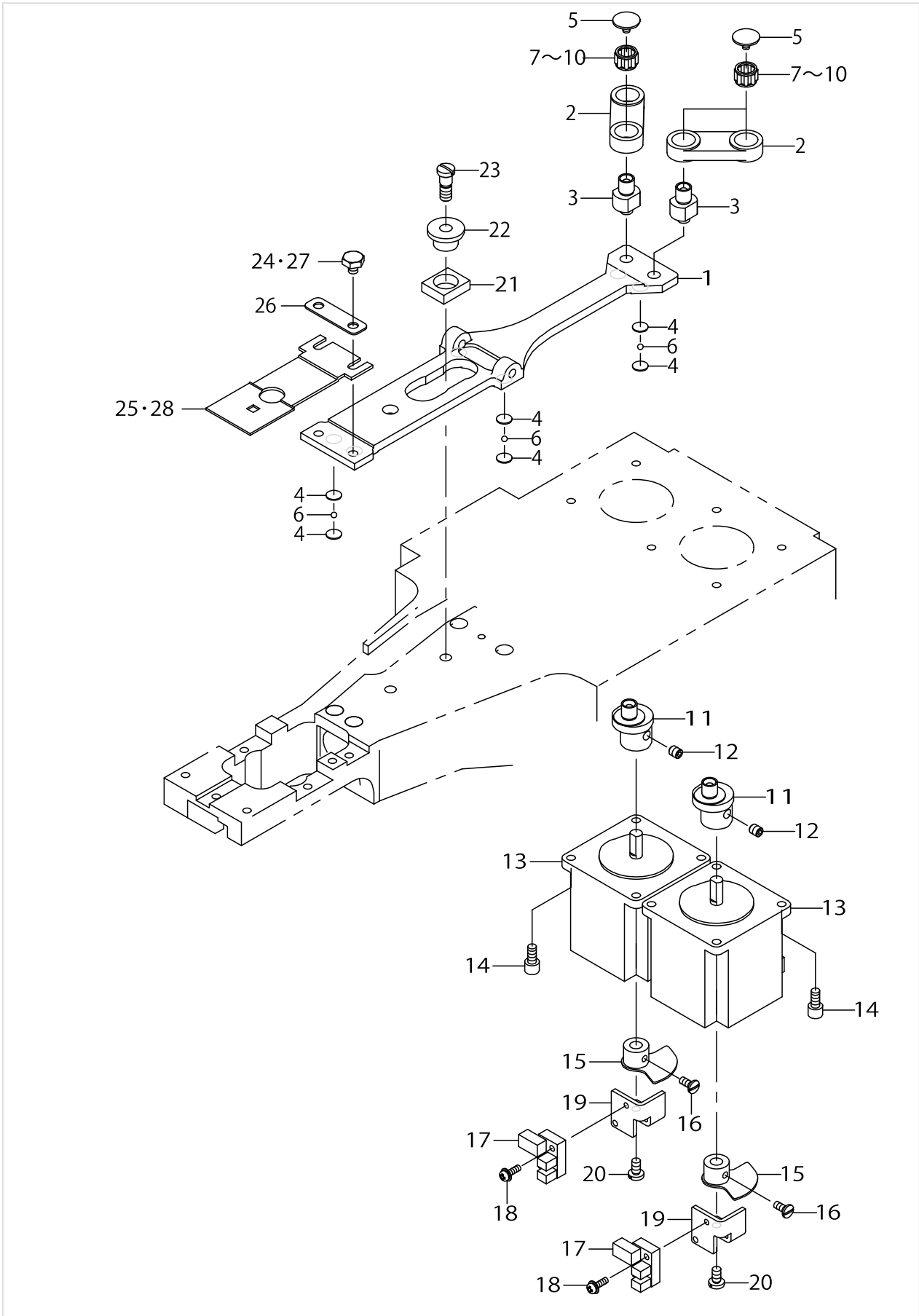
THREAD TENSION RELEASE COMPONENTS



THREAD TENSION RELEASE COMPONENTS

No.	Parts No.	Parts name	Remarks	Level	Cons	Qty
1	14607907	FITTING PLATE				1
2	SS7110510SP	SCREW 11/64-40 L=5				2
3	B1616210000	SUSPENSION LINK				1
4	SD0600322SD	HINGE SCREW D=6 H=3.2				1
5	SD0641003SP	HINGE SCREW D=6.35 H=10				1
6	13858808	THREAD CUTTER AUXILIARY ROLLER				1
7	PS0300201KP	SPRING PIN 3.0X20				2
8	B1126111000	THREAD GUIDE				1
9	PS0300062KH	SPRING PIN 3X6				2
10	SS7090610SP	SCREW 9/64-40 L=6				1
11	WP0430800SD	WASHER M4				1
12	14608152	FIRST THREAD TENSION ASM.				1
13	13760707	PIN		*		1
14	B2016372000	TENSION DISC		*		2
15	B2019372000	TENSION POST NO.2		*		1
16	NS6160520SP	NUT 1/4-24		*		1
17	B3132012000	TENSION DISC HOLDER		*		1
18	B3129012A00	TENSION SPRING		*		1
19	B3116125000	TENSION NUT		*		1
20	B3120125000	ROTATING STOPPER		*		1
21	14608251	SECOND THREAD TENSION ASM.				1
22	13760707	PIN		*		1
23	B2016372000	TENSION DISC		*		2
24	B2019372000	TENSION POST NO.2		*		1
25	NS6160520SP	NUT 1/4-24		*		1
26	B3132012000	TENSION DISC HOLDER		*		1
27	B2021372000	THREAD TENSION SPRING NO.2		*		1
28	B3120125000	ROTATING STOPPER		*		1
29	B3116125000	TENSION NUT		*		1
30	26021402	THREAD GUIDE NO.1				1
31	SS4150715SP	SCREW 15/64-28 L=7				1
32	14605208	ADJUSTING PLATE				1
33	SS9110620TP	SCREW				2
34	M85096300B0	SOLENOID ASM.				1
35	SL4030591SC	SCREW M3X5				2
36	14605109	SOLENOID FITTING PLATE				1
37	SS7110410SP	SCREW 11/64-40 L=4				2
38	14605307	SOLENOID THREAD GUIDE				1
39	SS6121050SP	SCREW 3/16-28 L=9.5				2
40	WP0450826SC	WASHER 4.5X10X0.8				2
41	26230409	LUBRICATING OIL WICK STOPPER				1
42	SS9120643TP	SCREW 3/16-28 L=6				1
43	BP600000000	VINYL PIPE				0.08
44	WP0753016SZ	WASHER 7.5X16.0X3.0				1

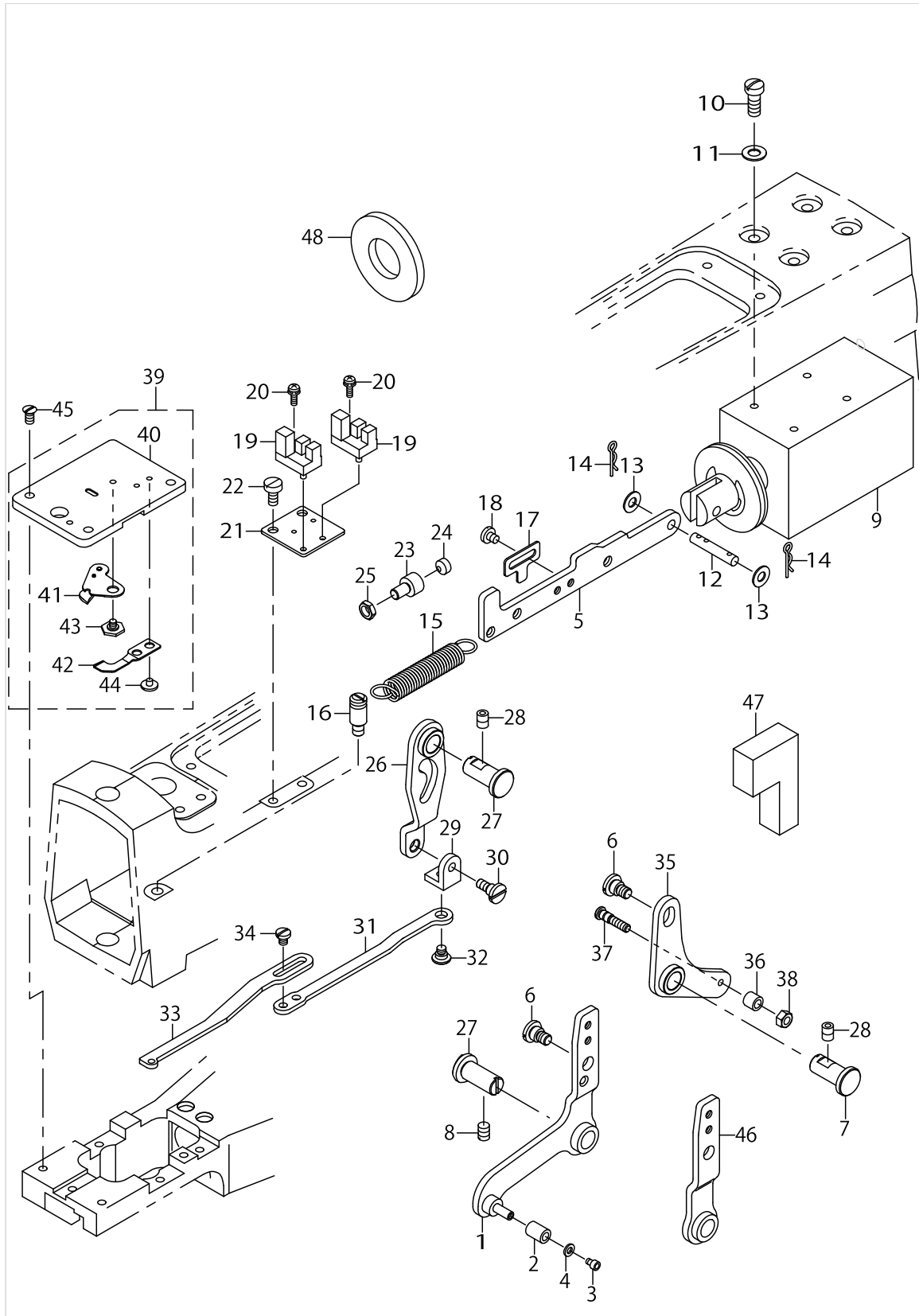
FEED MECHANISM COMPONENTS



FEED MECHANISM COMPONENTS

No.	Parts No.	Parts name	Remarks	Level	Cons	Qty
1	14606602	FEED PLATE				1
2	14606701	SLIDE PLATE CONNECTING ROD				2
3	14606909	SLIDE PLATE CONNECTING STUD				2
4	14607006	BALL HOLDING PLATE				12
5	B1903552000	LEFT SCREW				4
6	B2549280000	WORK CLAMP FOOT MOUNTING BASE				6
7	B1905541A00	NEEDLE BEARING A	SELECTIVE PARTS			4
8	B1905541B00	NEEDLE BEARING	SELECTIVE PARTS			4
9	B1905541C00	NEEDLE BEARING	SELECTIVE PARTS			4
10	B1905541D00	NEEDLE BEARING	SELECTIVE PARTS			4
11	14606800	FEED CRANK				2
12	SM8050602TP	SCREW M5 L=6				4
13	M8901630000	FEED PULSE MOTOR				2
14	SS6111052TP	SCREW				8
15	14507156	DETECTION PLATE ASM.				2
16	SS7090850SP	SCREW 9/64-40 L=8				4
17	HD00057000A	PHOTO SENSOR				2
18	SL4031091SC	SCREW M3X10				2
19	40102001	SENSOR FITTING PLATE				2
20	SS7110840SP	SCREW 11/64-40 L=7.8				2
21	26024604	INDICATOR PIN BEARING BLOCK				1
22	26024703	CROSSWISE FEED INDICATOR PIN				1
23	SD0640641SP	HINGE SCREW D=6.35 H=6.4				1
24	SS9120643TP	SCREW 3/16-28 L=6				2
25	B2529373000	FEED PLATE SMALL BUTTON				1
26	26025106	SPACER				1
27	SS9120623TP	SCREW	EXCLUSIVE PARTS MB-1800A, MB-1800C			2
28	D2529373B00A	FEED PLATE MIDDLE BUTTON	FOR MB-1800△M			1

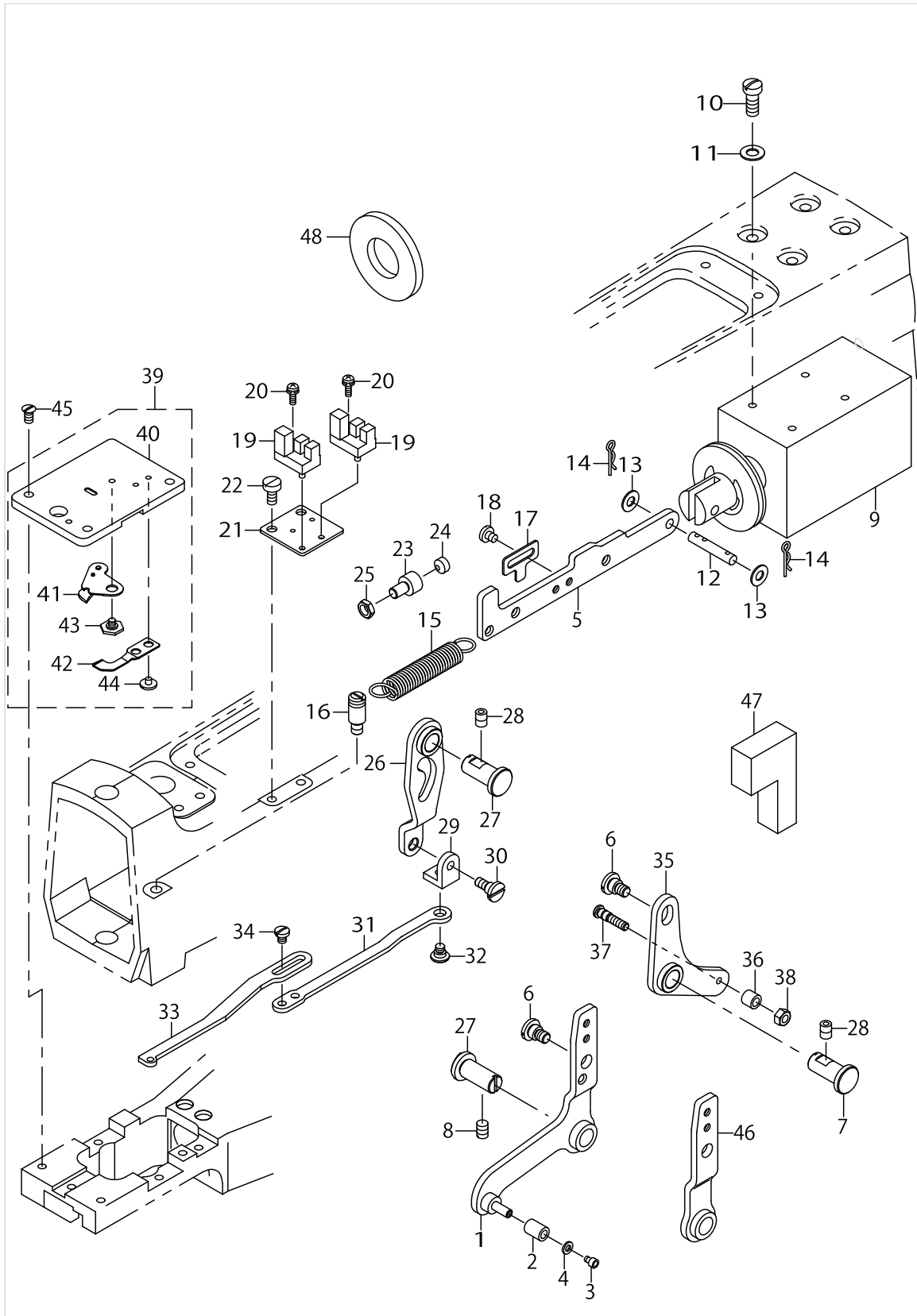
PRESSER LIFTER & THREAD CUTTER COMPONENTS



PRESSER LIFTER & THREAD CUTTER COMPONENTS

No.	Parts No.	Parts name	Remarks	Level	Cons	Qty
1	14602759	PRESSER LIFTING LEVER ASM.				1
2	B4417372000	BUTTON CLAMP LIFTING ROD ROLLER				1
3	SM6030402TP	SCREW M3X0.5 L=4				1
4	WP0371026SD	WASHER 3.7X7X1				1
5	14602601	PRESSER LIFTING LINK				1
6	SD0790433TP	HINGE SCREW D=7.94 H=4.3				2
7	14603104	FULCRUM SHAFT				1
8	SS8150822TP	SCREW 15/64-28 L=8				1
9	M85086300A0	PRESSER LIFTER SOLENOID				1
10	SS7661540SP	SCREW 1/4-40 L=15.0				4
11	WP0650876SD	WASHER 6.5X13X0.8				4
12	B1513210D00	MAGNET PIN				1
13	WP0560860SE	WASHER 5.6X12X0.8				2
14	B1515210D00	PIN				2
15	16627507	SPRING				1
16	26212308	SCREW				1
17	14603005	PRESSER LIFTER SENSOR SLIT				1
18	SS7110510SP	SCREW 11/64-40 L=5				2
19	HD000570000	SENSOR				2
20	SL4031091SC	SCREW M3X10				2
21	14603401	SENSOR FITTING PLATE				1
22	SS6121050SP	SCREW 3/16-28 L=9.5				2
23	B1453761000	SWING ARM STOPPER				1
24	B1432761000	SWING ARM STOPPER RUBBER				1
25	NS6150430SP	NUT 15/64-28				1
26	14605653	THREAD CUTTER ARM ASM.				1
27	14603104	FULCRUM SHAFT				2
28	SS8150822TP	SCREW 15/64-28 L=8				2
29	B2413373N00	CONNECTING METAL				1
30	SD0640451TP	HINGE SCREW D=6.35 H=4.5				1
31	14605802	CONNECTING PLATE B				1
32	SD0630272SP	HINGE SCREW				1
33	14605703	CONNECTING PLATE A				1
34	SS7110510SP	SCREW 11/64-40 L=5				2
35	40096978	THREAD_CUTTER_ASSY				1
36	23517808	NEEDLE CAM ROLLER D				1
37	40096866	ROLLER_SHAFT				1
38	NS6110420SP	NUT 11/64-40				1
39	B12413730B0	THROAT PLATE ASM.				1
40	B1241373000	THROAT PLATE		*		1
41	B24063730A0	MOVING KNIFE ASM.		*		1
42	B2410373000	COUNTER KNIFE		*		1
43	SD0600095TH	HINGE SCREW D=6 H=0.85		*		1
44	SS7080310SP	SCREW 1/8-44 L=3.0		*		2
45	SS2110920TP	SCREW 11/64-40 L=8.5				3
46	14611156	PRESSER LIFTING LEVER ASM.	EXCLUSIVE PARTS MB-1800A, MB-1800C			1
47	13766308	OIL TANK A FELT				1

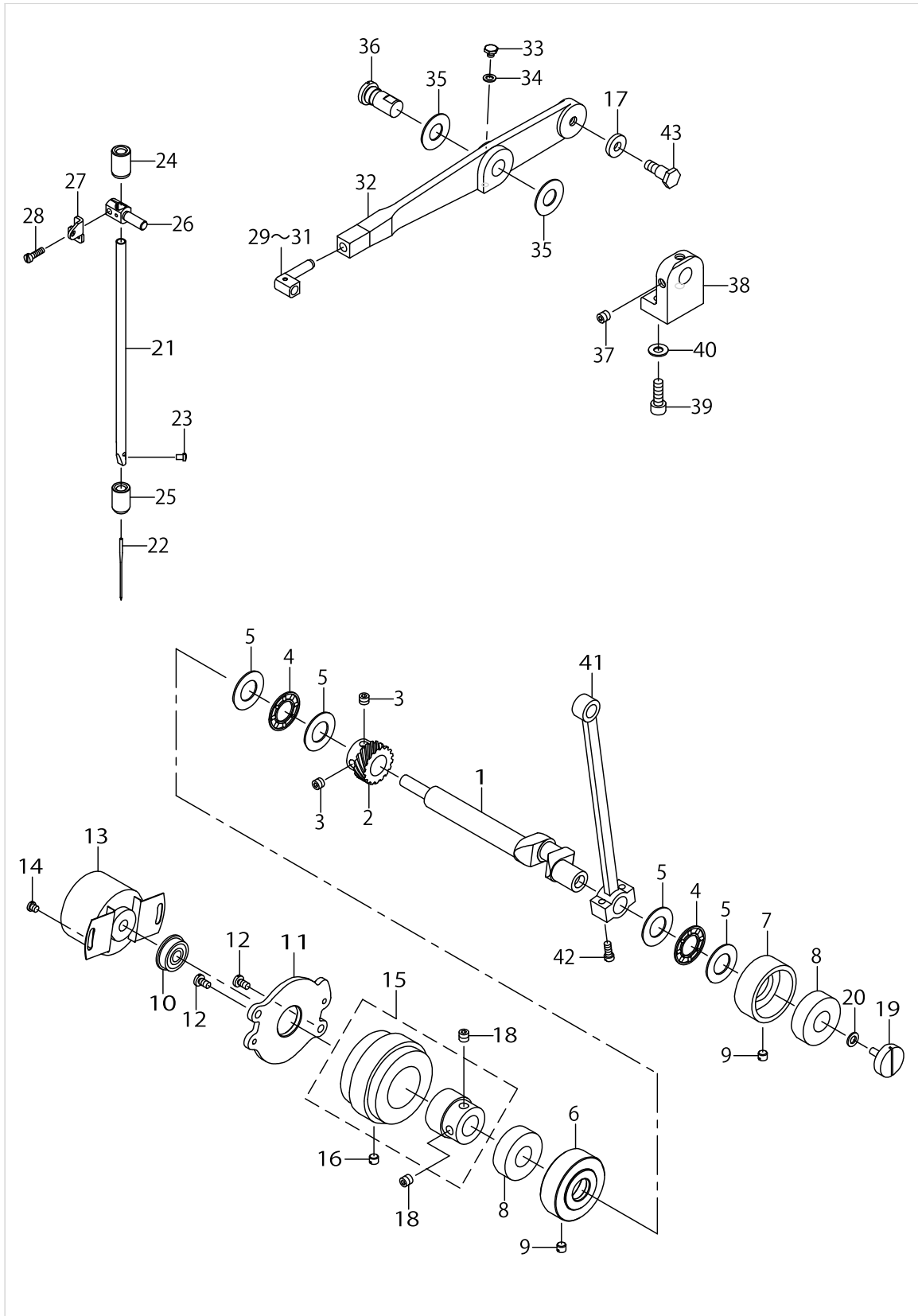
PRESSER LIFTER & THREAD CUTTER COMPONENTS



PRESSER LIFTER & THREAD CUTTER COMPONENTS

No.	Parts No.	Parts name	Remarks	Level	Cons	Qty
48	14517601	SOLENOID CUSHION	EXCLUSIVE PARTS MB-1800A, MB-1800C			1

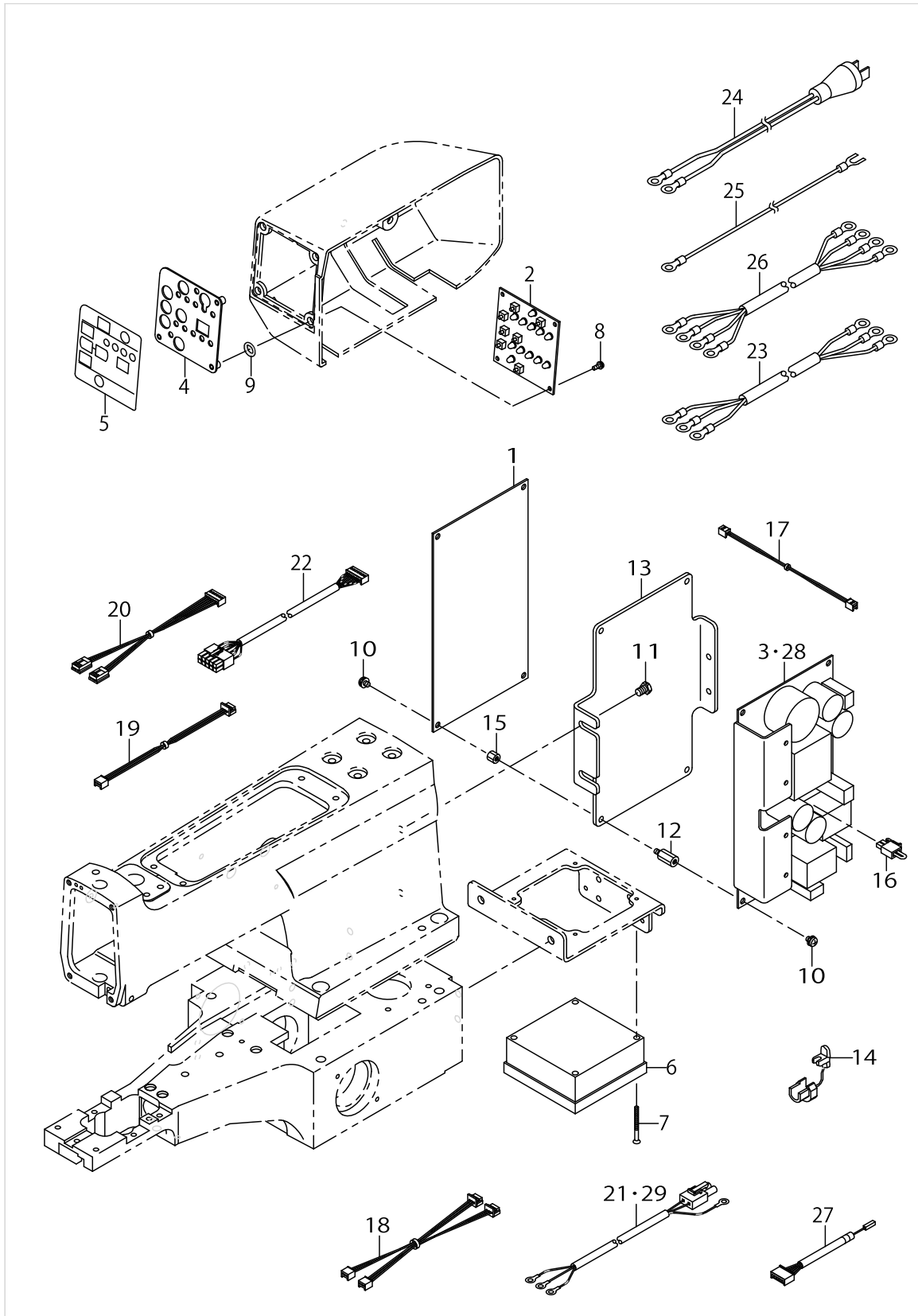
NEEDLE BAR & NEEDLE DRIVING PULLEY SHAFT COMPONENTS



NEEDLE BAR & NEEDLE DRIVING PULLEY SHAFT COMPONENTS

No.	Parts No.	Parts name	Remarks	Level	Cons	Qty
1	14603500	DRIVING SHAFT				1
2	14604805	TOOTHED WHEEL				1
3	SS8660512TP	SCREW 1/4-40 L=5				4
4	B1211980000	UPPER SHAFT THRUST BEARING				2
5	B1220771000	THRUST WASHER A				4
6	14603609	DRIVING SHAFT METAL LEFT				1
7	14603708	DRIVING SHAFT METAL RIGHT				1
8	SB115000200	BEARING				2
9	SS8150510TP	SCREW 15/64-28 L=4.7				2
10	SB108000500	RADIAL BEARING				1
11	14601900	MOTOR COVER				1
12	SS7110840SP	SCREW 11/64-40 L=7.8				2
13	M8904630000	SERVO COVER				1
14	SS7110410SP	SCREW 11/64-40 L=4				2
15	M8903630000	SERVO MOTOR ASM.				1
16	SS8150510TP	SCREW 15/64-28 L=4.7				1
17	B3010141H00	WASHER				1
18	SS8660612TP	SCREW 1/4-40 L=6				2
19	MAT80110L00	CLAMP SCREW				1
20	WP0450000SD	WASHER 4.5X8X0.5				1
21	14606107	NEEDLE ROD				1
22	MTQ700B1600	NEEDLE TQX7 #16				1
23	SS7080510TP	SCREW 1/8-44 L=4.5				1
24	14605901	NEEDLE ROD BUSHING UPPER				1
25	14606008	NEEDLE ROD BUSHING LOWER				1
26	26031906	NEEDLE BAR CLAMP				1
27	26031807	NEEDLE BAR BALANCE				1
28	SS6091210TP	SCREW 9/64-40 L=12				1
29	40038120	NEEDLE_BAR_SLIDE_BLOCK_A	SELECTIVE PARTS			1
30	40038121	NEEDLE_BAR_SLIDE_BLOCK_B	SELECTIVE PARTS			1
31	40038122	NEEDLE_BAR_SLIDE_BLOCK_C	SELECTIVE PARTS			1
32	14606206	NEEDLE BAR ROCKING PIPE				1
33	SS9110453TP	SCREW				1
34	WP0480856SP	WASHER 4.8X8.4X0.8				1
35	13887005	THRUST WASHER				2
36	14606404	FULCRUM SHAFT				1
37	SS8660612TP	SCREW 1/4-40 L=6				2
38	14606503	FULCRUM SHAFT BASE				1
39	SS6151812TP	SCREW 15/64-28 L=18				2
40	WP0621016SD	WASHER 6.2X13X1				2
41	14606305	CRANK ROD				1
42	SS7111110TP	SCREW 11/64-40 L=10.5				2
43	SD0801021TP	HINGE SCREW D=8 H=10.2				1

TRANSMISSION COMPONENTS



TRANSMISSION COMPONENTS

No.	Parts No.	Parts name	Remarks	Level	Cons	Qty
1	M8601630AA0	MAIN CIRCUIT BOARD A ASM.				1
2	M86026300A0A	PANEL CIRCUIT BOARD ASM.				1
3	40011382	PWR CIRCUIT BOARD ASM.	FOR 1-PHASE,USE IN JAPAN, EXPORT 3-PHASE			1
4	M2003630000	PANEL FITTING PLATE				1
5	M3001630000	PANEL SEET				1
6	M85405900A0	FAN ASM.				1
7	SM1033501SC	SCREW M3X0.5 L=35				4
8	SL4030881SC	SCREW M3X8				3
9	RO074240100	RUBBER RING				3
10	SL4040681SC	COMBINATION SCREW M4X6				8
11	SS9150910SP	SCREW				3
12	HX00339000E	SPACER				4
13	14602106	BOARD FITTING PLATE				1
14	HX000980000	CORD BUSH				1
15	HX005350000	SPACER				4
16	M85236000A0	INPUT CHANGEOVER CORD ASM.				1
17	M85026300A0	TEMPERATURE SENSOR CORD ASM.				1
18	M85056300A0	FEED HOME POSITION CORD ASM.				1
19	M85066300A0	STARTING CORD ASM.				1
20	M85076300A0	PRESSER SENSOR CORD ASM.				1
21	M85046300A0	TRANSMISSION POWER CORD ASM.	FOR 1-PHASE,USE IN JAPAN, EXPORT 3-PHASE			1
22	M85146300A0	BR RELAY CORD	FOR MB-1800A,MB-1800C			1
23	M90245800A0	POWER CABLE ASM. 100V	FOR JE,EXPORT 1-PHASE			1
24	M90355800A0	POWER SOURCE CORD ASM.	FOR USE IN JAPAN			1
25	M90345800A0	GROUND CORD ASM.	FOR USE IN JAPAN			1
26	M90175800A0	POWER CABLE ASM.	FOR USE IN JAPAN, EXPORT 3-PHASE			1
27	M85216300A0	BR RELAY CODE 2 ASM.	FOR MB-1800A,MB-1800C			1
28	40163030	PWR PCB CE ASSY	FOR CE			1
29	40162895	POWER CORD CE ASM.	FOR CE			1

TABLE COMPONENTS

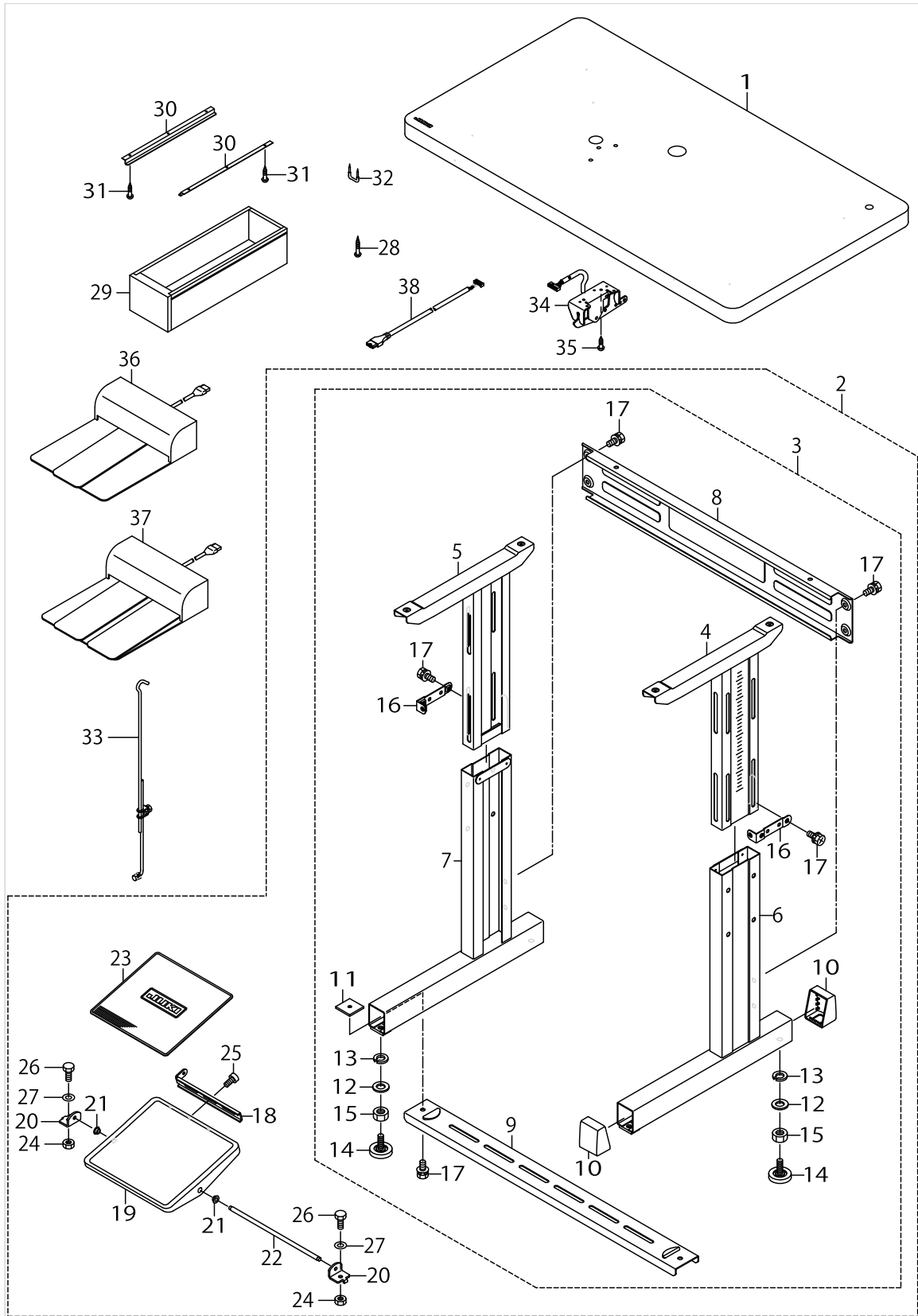
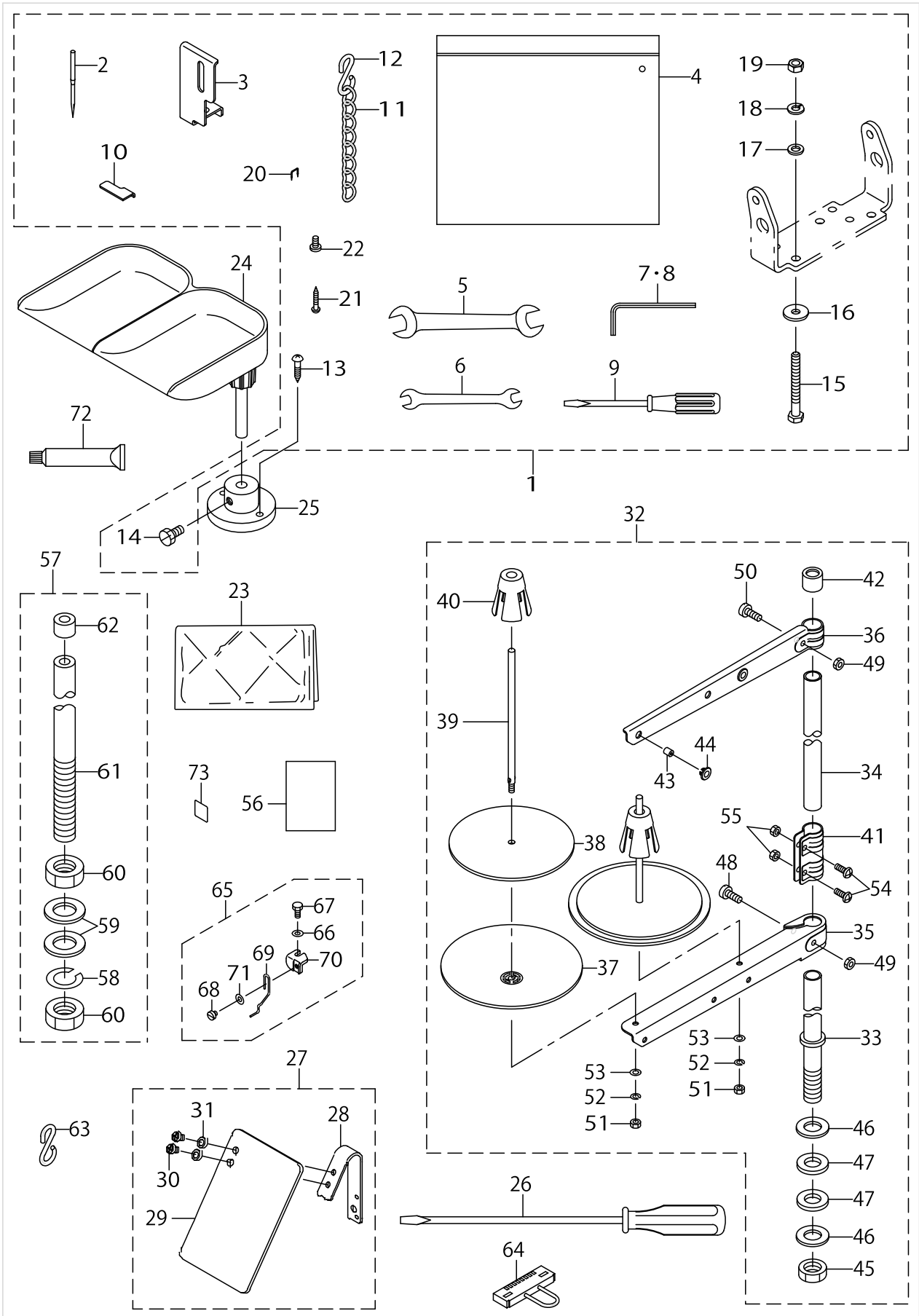


TABLE COMPONENTS

No.	Parts No.	Parts name	Remarks	Level	Cons	Qty
1	14607600	TABLE				1
2	11157567	T LEG JUNCTION				1
3	11157559	T-STAND ASM.		*		1
4	11157666	UPPER STAND ASM. RIGHT		*		1
5	11157765	UPPER STAND ASM. LEFT		*		1
6	11157963	LOWER LEG RIGHT		*		1
7	11158060	LOWER LEG LEFT		*		1
8	11158300	STAND SIDE SUPPORT		*		1
9	11158409	STAND SIDE SUPPORT		*		1
10	11158607	RUBBER CAP		*		4
11	17007402	NUT		*		2
12	WP1302501SE	WASHER M12		*		4
13	WS1253010KN	SPRING WASHER 12.5X21.5X3		*		4
14	B81085550A0	ADJUSTING SCREW ASM. WITH CAP		*		4
15	NM6120001SE	NUT M12		*		1
16	11158516	UPPER STAND PLATE		*		2
17	SL9082091SE	WASHER HEXAGONAL BOLT		*		12
18	11158706	PEDAL ADJUSTING PLATE		*		1
19	11158805	PEDAL		*		1
20	11159001	PEDAL SHAFT BRACKET		*		2
21	D8113555B00	PEDAL BUSHING		*		2
22	D8115555B00	PEDAL SHAFT		*		1
23	11158904	PEDAL MAT		*		1
24	NM6080001SE	NUT M8		*		2
25	SL9061291SE	WASHER HEXAGONAL BOLT M6 L=12		*		2
26	SL9082091SE	WASHER HEXAGONAL BOLT		*		2
27	WP0871602SE	WASHER 8.7X18X1.6		*		2
28	SK3483201SE	WOOD SCREW D=4.8 L=32				4
29	11155108	DRAWER				1
30	11155207	DRAWER SUPPORT				2
31	SK3311601SE	WOOD SCREW D=3.1 L=16				6
32	D8204555D00	DRAWER STOPPER				1
33	MAO720020A0	CONNECTING ROD ASM.	OPTION PARTS			1
34	M85205900A0	1-PEDAL ASM.	OPTION PARTS			1
35	SK3482001SE	WOOD SCREW D=4.8 L=20	OPTION PARTS			2
36	GPK510010C0	PEDAL SWITCH ASM.	OPTION PARTS			1
37	GPK570010B0	PEDAL SWITCH ASM.	OPTION PARTS			1
38	M90135900A0	PK57 TRANSFER CABLE ASM.	OPTION PARTS			1

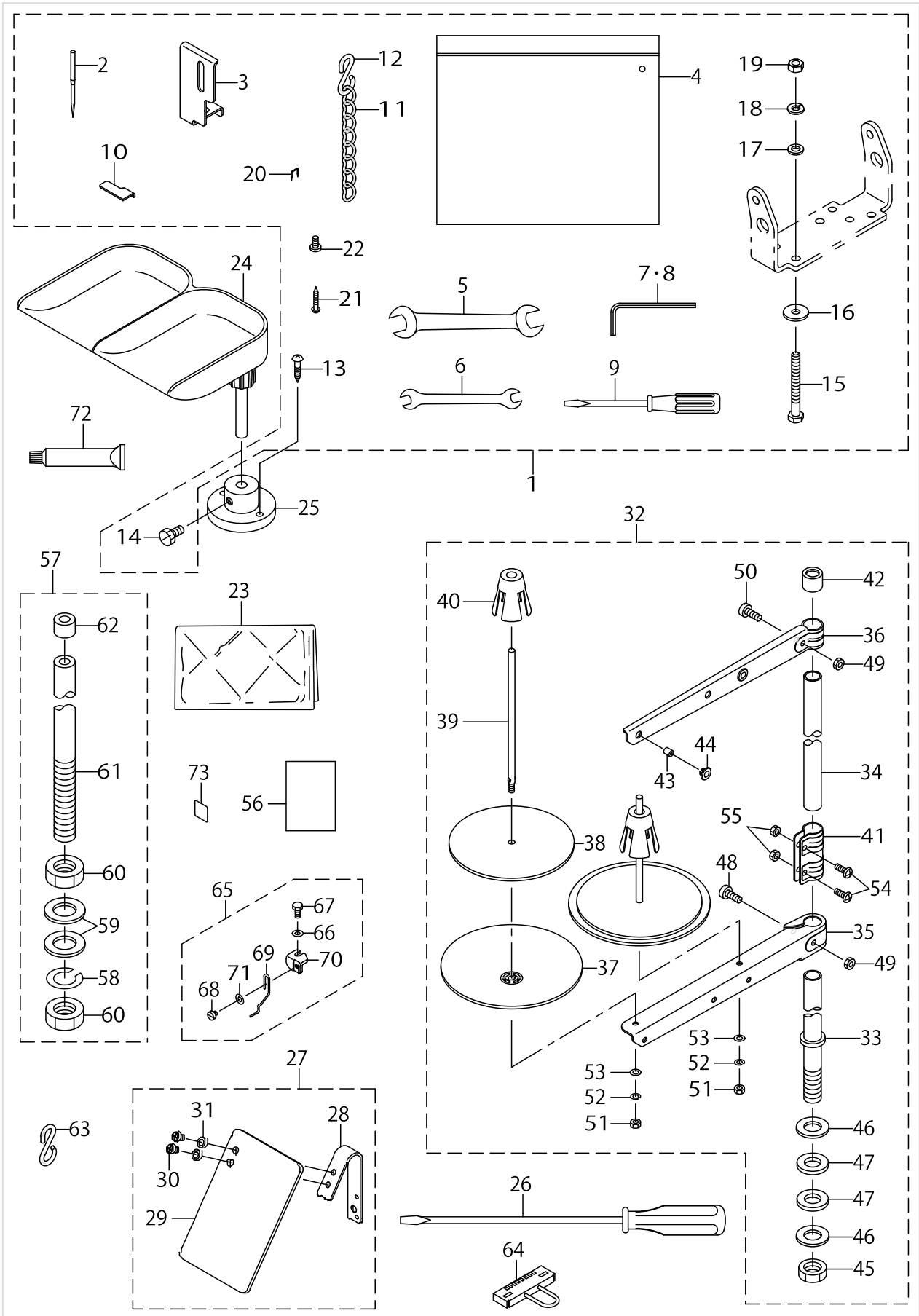
ACCESSORIE PARTS COMPONENTS



ACCESSORIE PARTS COMPONENTS

No.	Parts No.	Parts name	Remarks	Level	Cons	Qty
1	14609655	ACCESSORIE PARTS BAG ASM.				1
2	MTQ700B1602	NEEDLE TQX7 #16-2		*		1
3	B1421372000	NEEDLE BAR GUARD		*		1
4	22932800	ACCESSORIE BAG		*		1
5	26034702	WRENCH (11X14)		*		1
6	B9143372000	WRENCH (7.1X8.1)		*		1
7	B9140372000	HEXAGONAL WRENCH SMALL		*		1
8	J106600000D	HEXAGONAL WRENCH KEY		*		1
9	22933105	SCREW DRIVER MIDDLE		*		1
10	B2414373000	GAUGE		*		1
11	B8103980000	CHAIN		*		1
12	13160304	S SHAPED HOOK		*		2
13	SK3412001SE	WOOD SCREW D=4.1 L=20		*		2
14	SM6061202TP	SCREW M6 L=12		*		1
15	SM9065513SF	SCREW M6X55		*		3
16	WP0641600SC	WASHER 6.4X12.5X1.6		*		3
17	WP0612056SE	WASHER 6.1X18.5X2		*		3
18	WS0610002KR	SPRING WASHER M6		*		3
19	NM6060002SE	NUT M6		*		3
20	MAO11532000	CORD STAPLE		*		5
21	SK3482001SE	WOOD SCREW D=4.8 L=20		*		2
22	SS7110840SP	SCREW 11/64-40 L=7.8		*		1
23	22933303	VINYL COVER	FOR EXPORT			1
24	17848458	BUTTON TRAY ASM.				1
25	40033635	BUTTON TRAY BASE				1
26	22933006	SCREW DRIVER LARGE				1
27	40054729	ASSY SAFETY PLATE				1
28	40054730	SAFETY PLATE INSTALLING BASE		*		1
29	26037200	SAFETY PLATE		*		1
30	SM4040655SP	SCREW M4 L=6		*		2
31	WP0430800SD	WASHER M4		*		2
32	40096354	THREAD STAND ASM.				1
33	40085784	SPOOL REST ROD LOWER		*		1
34	40085785	SPOOL REST ROD UPPER		*		1
35	40085786	SPOOL REST ARM LOWER		*		1
36	40085787	SPOOL REST ARM UPPER		*		1
37	40085788	SPOOL REST		*		2
38	40085789	SPOOL REST CUSHION		*		2
39	40085790	SPOOL PIN		*		2
40	40085791	SPOOL RETAINER		*		2
41	40085792	SPOOL REST ROD JOINT		*		1
42	40085793	SPOOL REST ROD RUBBER CAP		*		1
43	40085794	THREAD GUIDE		*		2
44	40085795	THREAD GUIDE BUSHING		*		2
45	40096325	SPOOL REST ROD NUT		*		1
46	WP1612616SE	WASHER 16X30X2.6		*		2
47	40085796	SPOOL REST ROD RUBBER CUSHION		*		2

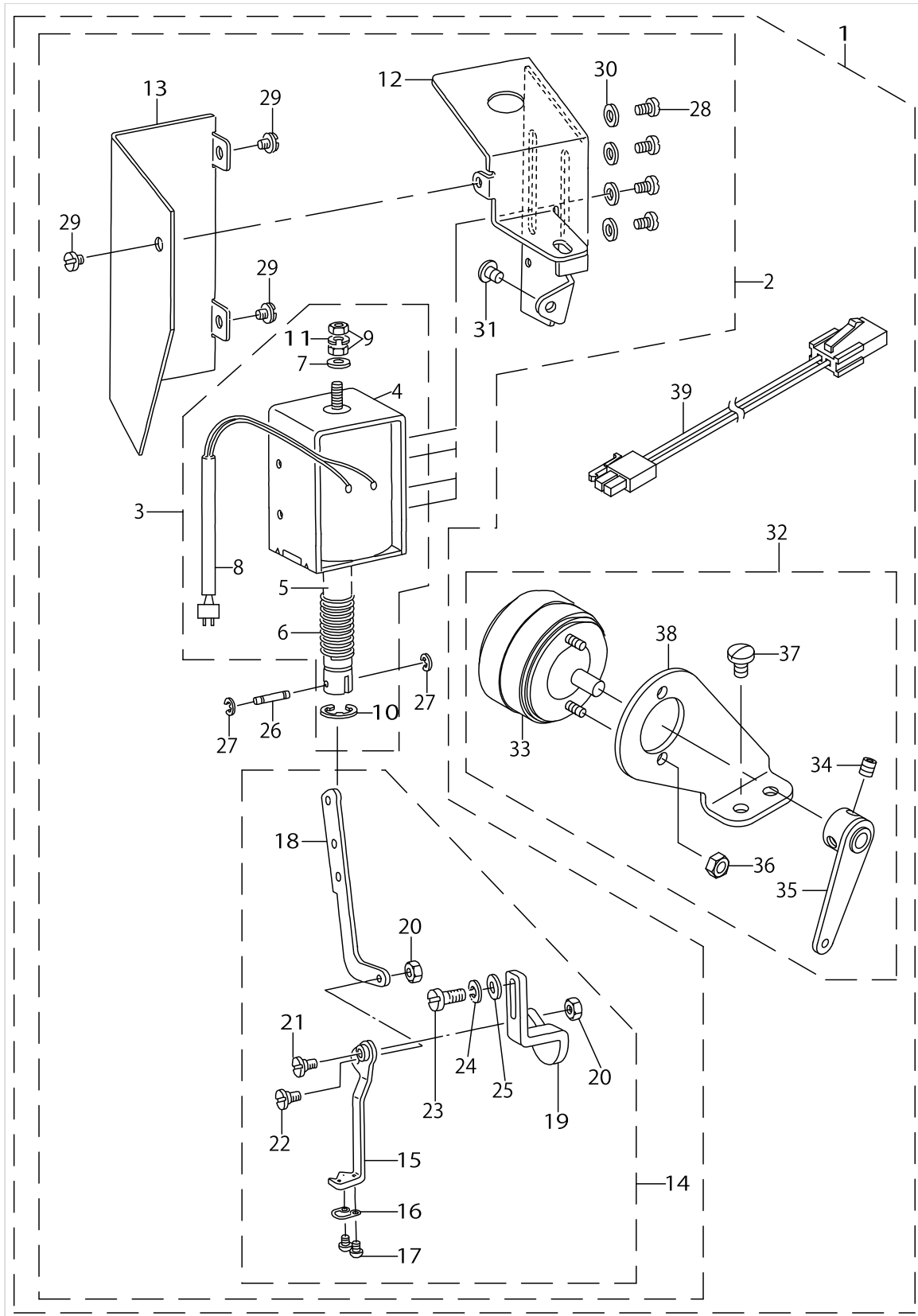
ACCESSORIE PARTS COMPONENTS



ACCESSORIE PARTS COMPONENTS

No.	Parts No.	Parts name	Remarks	Level	Cons	Qty
48	40096326	SPOOL REST ARM LOWER SCREW		*		1
49	NM6050001SE	NUT M5		*		2
50	40096327	SPOOL REST ARM UPPER SCREW		*		1
51	NM6050001SE	NUT M5		*		2
52	WS0510002KN	SPRING WASHER M5		*		2
53	WP0531001SC	WASHER M5		*		2
54	SM4051405SE	SCREW M5 L=14		*		2
55	NM6050001SE	NUT M5		*		2
56	CM600100201	WEEE INFORMATION SHEET				1
57	40023920	FRAME_SUPPORT_BAR_ASSY	FOR MB-1800A,MB-1800C			1
58	WS1643202KR	SPRING WASHER		*		1
59	WP1702600S0	WASHER 17X30X2.6		*		2
60	NM6160013SN	NUT M16		*		2
61	40022039	FRAME_SUPPORT_BAR		*		1
62	13771704	RUBBER CAP		*		1
63	13160304	S SHAPED HOOK	FOR MB-1800A,MB-1800C			1
64	M85206300A0	MB-1800A CONNECTOR	FOR MB-1800A,MB-1800C			1
65	14146757	BUTTON RISING BAR ASM.	FOR MB-1800,MB-1800B			1
66	WP0370316SD	WASHER 3.7X8X0.3		*		1
67	SS9090813TP	SCREW 9/64-40 L=8		*		1
68	SS6080340SP	SCREW 1/8-44 L=2.9		*		1
69	14146708	BUTTON RISING BAR		*		1
70	14146807	INSTALLING BASE		*		1
71	WP0370316SD	WASHER 3.7X8X0.3		*		1
72	40006323	JUKI GREASE A TUBE				1
73	CM600100101	WEEE MARK LABEL S				1

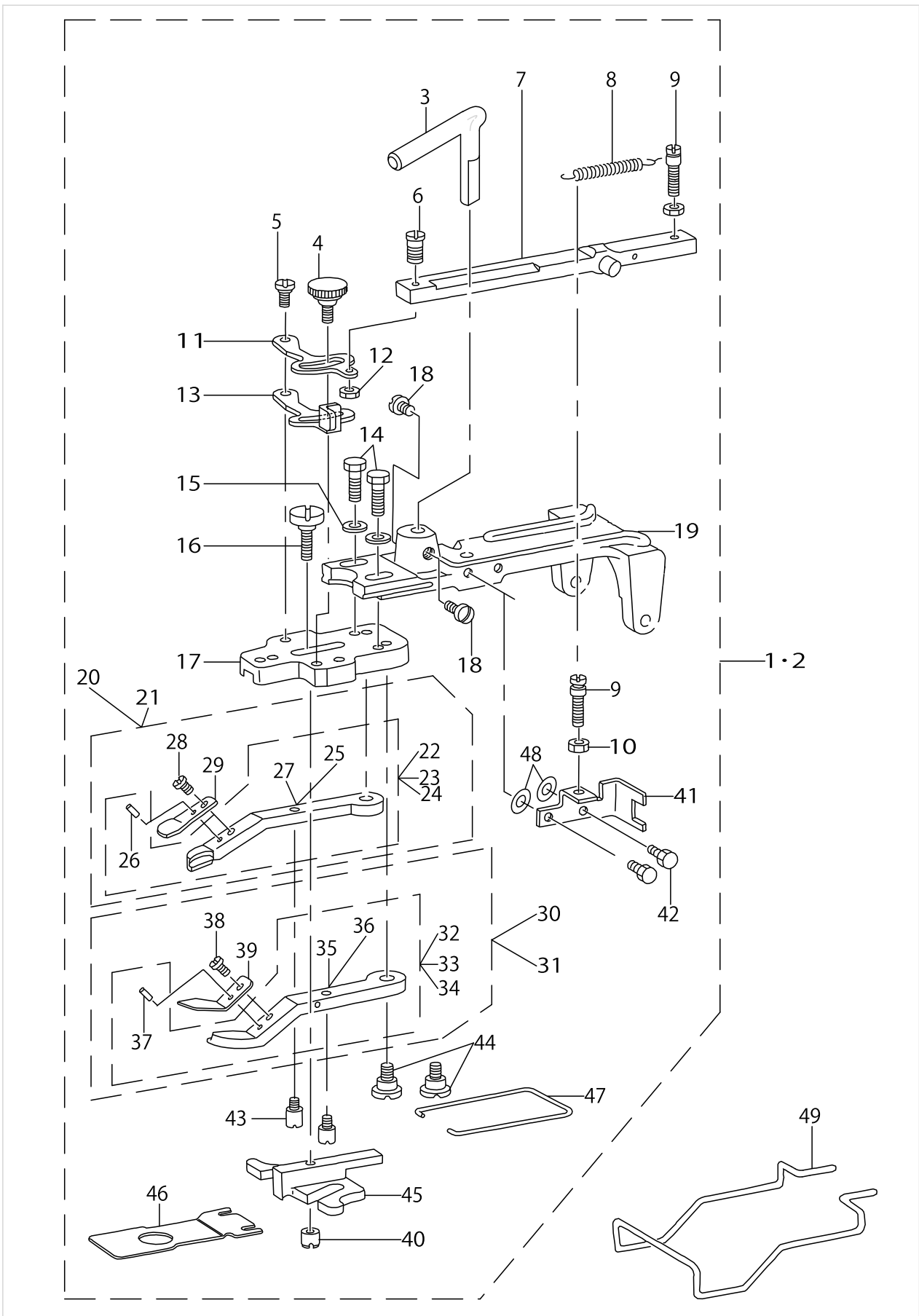
WIPER COMPONENTS (MB-1800A,MB-1800B,MB-1800C OPTION)



WIPER COMPONENTS (MB-1800A,MB-1800B,MB-1800C OPTION)

No.	Parts No.	Parts name	Remarks	Level	Cons	Qty
1	M85126300A0	WIPER DEVICE	OPTION PARTS,MB-1800B			1
2	M85156300A0	WIPER COMPL.	FOR MB-1800A,MB-1800C	*		1
3	M85176300A0	WIPER SOLENOID ASM.		*		1
4	MAZ08801000	WIPER MAGNET		*		1
5	D2118555B00A	PLUNGER		*		1
6	MAT80113T00	SPRING		*		1
7	MAT80115T00	WASHER		*		1
8	HW5F18S1228	TWO-CORE CORD		*		0.9
9	NM6043212SA	NUT M4X0.7		*		2
10	RE0901110K0	SNAP RING 9		*		1
11	WS0410002KS	SPRING WASHER M4		*		1
12	MAZ08802000	INSTALLING BASE		*		1
13	MAZ08803000	INSTALLING BASE COVER		*		1
14	MAZ025060A0	WIPER UNIT ASM.		*		1
15	MAZ02506000	WIPER		*		1
16	MAZ02507000A	WIPER THREAD GUARD SPRING		*		1
17	SS5060310SP	SCREW 3/32-56 L=2.8		*		2
18	MAZ02504000	WIPER LINK		*		1
19	MAZ02505000	WIPER BASE		*		1
20	NS6110310SP	NUT 11/64-40		*		2
21	SD0460571CP	HINGE SCREW D=4.6 H=5.7		*		1
22	SD0550211SP	HINGE SCREW		*		1
23	SS6121220TP	SCREW 3/16-28 L=11.5		*		1
24	WS0521010KN	SPRING WASHER 5.2X8.2X1		*		1
25	WP0480856SP	WASHER 4.8X8.4X0.8		*		1
26	D2107555B00	WIPER LINK SHAFT A		*		1
27	RE0250000K0	E-RING 2.5		*		2
28	SM4040601SB	SCREW M4 L=6		*		4
29	SS7110340SP	SCREW 11/64-40 L=3.2		*		3
30	WP0480856SP	WASHER 4.8X8.4X0.8		*		4
31	SS4120615SP	SCREW 3/16-28 L=6		*		1
32	M85166300A0	THREAD TENSION LEVER COMPL.		*		1
33	M85186300A0	THREAD TENSION SOLENOID ASM.		*		1
34	SM8050602TP	SCREW M5 L=6		*		2
35	M20116300A0	THREAD TENSION LEVER ASM.		*		1
36	NM6040003SC	NUT M4		*		2
37	SS7110710SP	SCREW 11/64-40 L=7		*		2
38	M2010630000	SOLENOID FITTING PLATE		*		1
39	M85196300A0	RELAY CORD ASM.		*		1

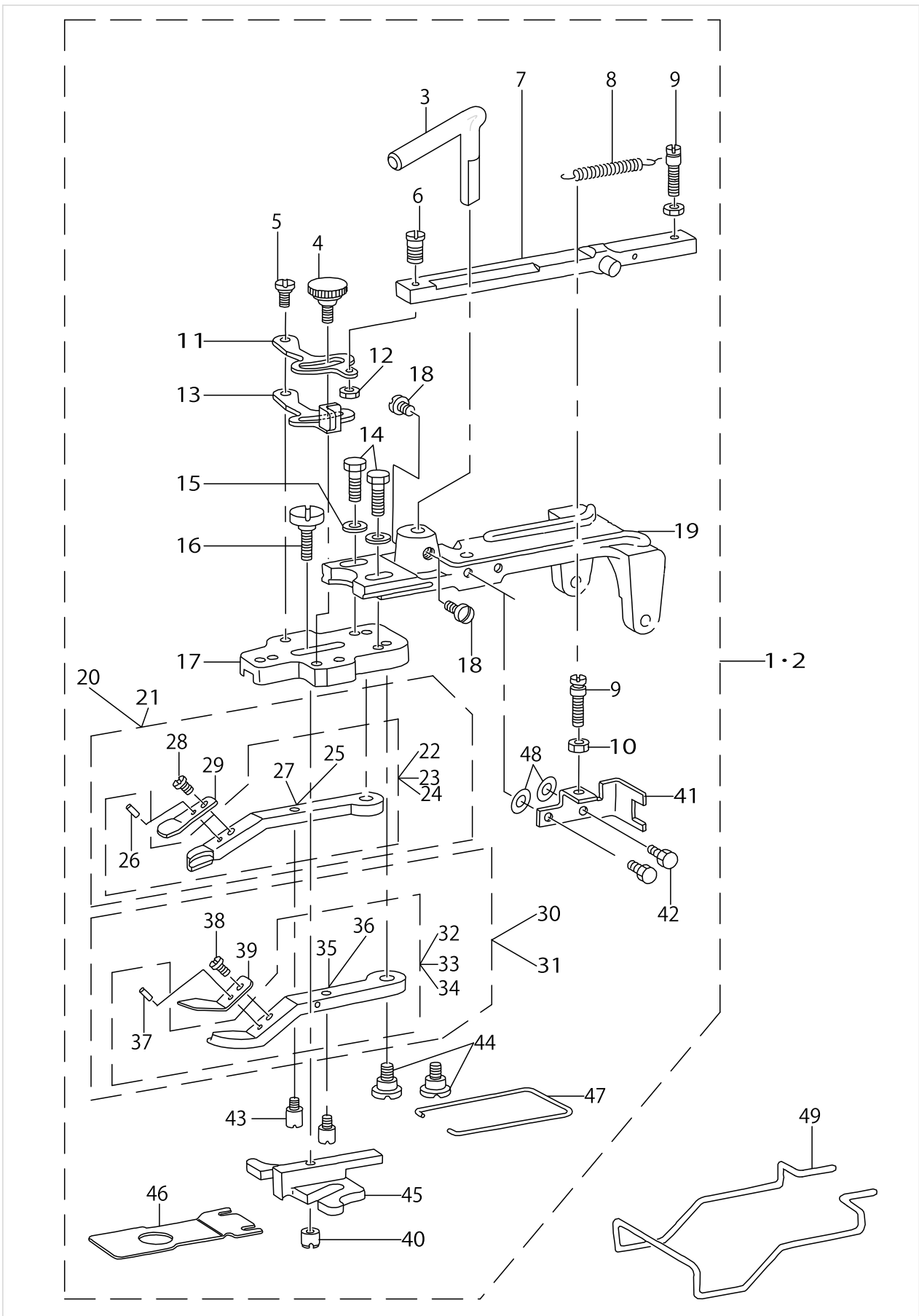
BUTTON CLAMP MECHANISM COMPONENTS (FOR MB-1800A)



BUTTON CLAMP MECHANISM COMPONENTS (FOR MB-1800A)

No.	Parts No.	Parts name	Remarks	Level	Cons	Qty
1	40114058	PICK-UP DEVICE COMPL.				1
2	40114059	PICK-UP DEVICE COMPL.	SPECIAL ORDER PARTS (LARGE BUTTON)			1
3	14611404	LIFTING ROD		*		1
4	B2549372R00A	SCREW		*		1
5	SD0500404SP	HINGE SCREW		*		1
6	SS7091480SP	SCREW 9/64-40 L=13.5		*		1
7	MAZ088270A0	CLAMP RELEASE LINK ASM.		*		1
8	GBR01606000	RELEASE RETURN SPRING		*		1
9	GBR01607000	SPRING HOOK		*		2
10	NS6080210SP	NUT 1/8-44		*		2
11	GBR01601000A	CLAMP RELEASE LEVER		*		1
12	NS6090310SP	NUT 9/64-40		*		1
13	B2548372R00A	OPEN LEVER		*		1
14	SS9621413SP	SCREW 3/16-32 L=13.5		*		2
15	WP0501016SD	WASHER 5X10.5X1		*		2
16	SD0550303SP	HINGE SCREW		*		1
17	B2547372000	JAW LEVER HOLDER		*		1
18	SS7150940SP	SCREW 15/64-28 L=9		*		2
19	40113237	BUTTON CLAMP HOLDER		*		1
20	MAZ088220B0A	BUTTN CLAMP (LEFT)		*		1
21	MAZ088220BAA	BIG BUTTON PICK-UP FOOT (LEFT)	SPECIAL ORDER PARTS (LARGE BUTTON)	*		1
22	MAZ088220AAA	PICK-UP FOOT (LEFT) ASM.	SPECIAL ORDER PARTS (LARGE BUTTON)	*		1
23	MAZ088220A0A	PICK-UP FOOT (LEFT) ASM.		*		1
24	18216457	PICK-UP FOOT (LEFT) ASM.		*		1
25	MAZ08822000A	BUTTON PICK-UP FOOT (LEFT)		*		1
26	B2559372000	BUTTON CLAMP LOCATING PIN		*		2
27	MAZ0882200AA	PICK-UP FOOT (LEFT)	SPECIAL ORDER PARTS (LARGE BUTTON)	*		1
28	SS7090520TP	SCREW 9/64-40 L=4.5		*		2
29	MAZ08828000	SPRING LEFT		*		1
30	MAZ088230BAA	BIG BUTTON PICK-UP FOOT(RIGHT)	SPECIAL ORDER PARTS (LARGE BUTTON)	*		1
31	MAZ088230B0A	PICK-UP FOOT (RIGHT) ASM.		*		1
32	MAZ088230A0A	PICK-UP FOOT (RIGHT) ASM.		*		1
33	MAZ088230AAA	PICK-UP FOOT (RIGHT) ASM.	SPECIAL ORDER PARTS (LARGE BUTTON)	*		1
34	18216655	PICK-UP FOOT (RIGHT) ASM.		*		1
35	MAZ0882300AA	PICK-UP FOOT (RIGHT)	SPECIAL ORDER PARTS (LARGE BUTTON)	*		1
36	MAZ08823000A	PICK-UP FOOT (RIGHT)		*		1
37	B2559372000	BUTTON CLAMP LOCATING PIN		*		2
38	SS7090520TP	SCREW 9/64-40 L=4.5		*		2
39	MAZ08829000	SPRING RIGHT		*		1
40	26026005	NUT		*		1
41	GBR01602000	SLIDE BRACKET		*		1
42	SS9091010SP	SCREW 9/64-40 L=10		*		2
43	B2560372000	BUTTON CLAMP STOP PIN		*		2
44	SD0640391TP	HINGE SCREW D=6.35 H=3.9		*		2

BUTTON CLAMP MECHANISM COMPONENTS (FOR MB-1800A)

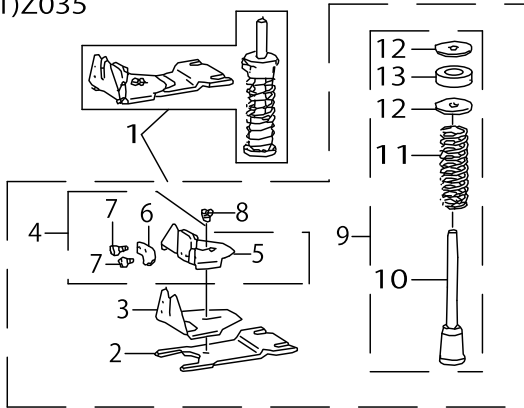


BUTTON CLAMP MECHANISM COMPONENTS (FOR MB-1800A)

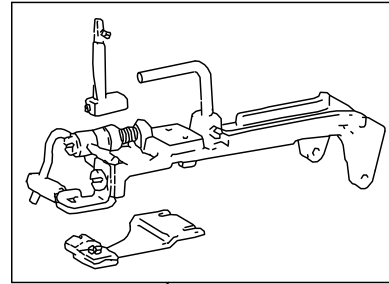
No.	Parts No.	Parts name	Remarks	Level	Cons	Qty
45	MAZ16522000	BUTTON GUIDE FOOT		*		1
46	D2529373C00A	FEED PLATE LARGE BUTTON	SPECIAL ORDER PARTS (LARGE BUTTON)	*		1
47	B2561372000	BUTTON CLAMP SPRING		*		1
48	WP0430801SC	WASHER M4		*		2
49	B3130373N00	FINGER GUARD				1

ATTACHMENT COMPONENTS FOR MODEL MB-1800 (1)

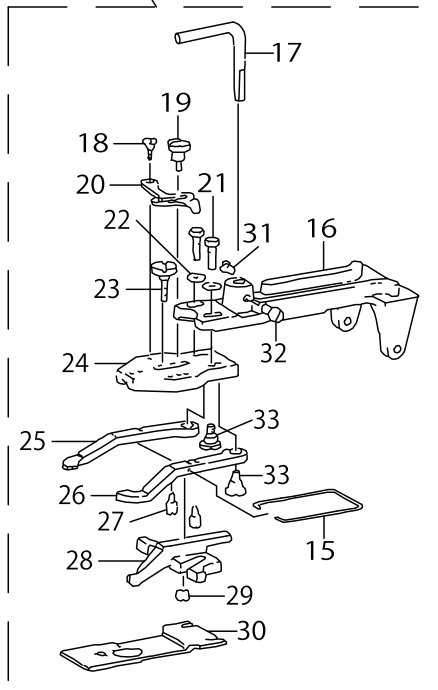
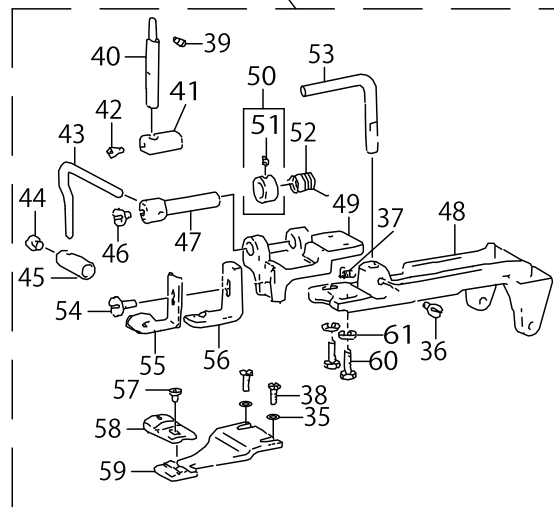
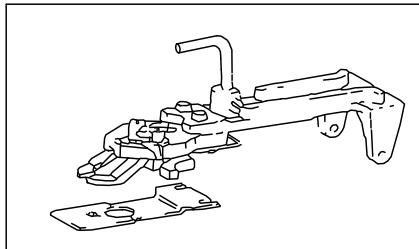
(1)Z035



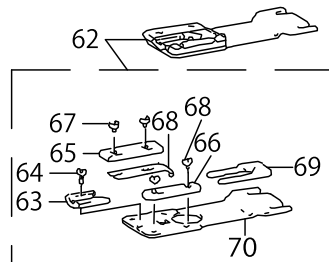
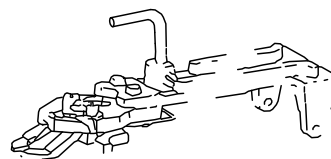
(3)14618052



(2)14617955



(4)Z039

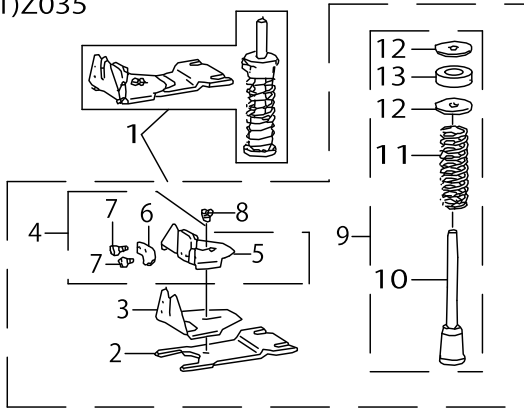


ATTACHMENT COMPONENTS FOR MODEL MB-1800 (1)

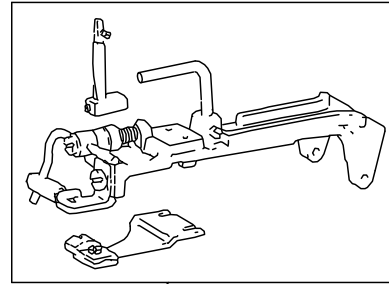
No.	Parts No.	Parts name	Remarks	Level	Cons	Qty
1	B24403730A0	WRAPPED-AROUND BUTTON CLAMP ASM.				1
2	B2440373000	FEED PLATE		*		1
3	B2441372000	WRAPPED GUIDE LARGE		*		1
4	B24423720A0	WRAPPED GUIDE (MIDDLE) ASM.		*		1
5	B2442372000	WRAPPED GUIDE MIDDLE		*		1
6	B2448372000	SPRING		*		2
7	SS9110513TP	SCREW 11/64-40 L=5		*		1
8	SS9110513TP	SCREW 11/64-40 L=5		*		1
9	B44163730A0	MOVING KNIFE PUSH-BACK SPRING		*		1
10	B4416373000	SPRING GUIDE SHAFT		*		1
11	D9317762T00	GIMP GUIDE SHAFT SPRING		*		1
12	WP0751576SD	WASHER 7.5X19X1.5		*		2
13	B4420373000	CUSHION		*		1
14	14617955	SNAP CLAMP COMPL.				1
15	B2561372000	BUTTON CLAMP SPRING		*		1
16	26025502	BUTTON CLAMP HOLDER		*		1
17	14602502	LIFTING ROD		*		1
18	SD0550181SP	HINGE SCREW D=5.50 H=1.8		*		1
19	B2549372000	CLAMP SCREW A		*		1
20	B2548372000	SNAP FASTENER CLAMP STOP LEVER		*		1
21	SS9621413SP	SCREW 3/16-32 L=13.5		*		2
22	WP0501016SD	WASHER 5X10.5X1		*		2
23	SD0550301SP	HINGE SCREW D=5.5 H=3		*		1
24	B2547372000	JAW LEVER HOLDER		*		1
25	B2555372B00	SNAP FASTENER CLAMP JAW LEVER LEFT		*		1
26	B2557372B00	CLAMP JAW LEVER RIGHT		*		1
27	B2560372000	BUTTON CLAMP STOP PIN		*		2
28	B2552372B00	CLAMP JAW LEVER RIGHT		*		1
29	B2553372000	NUT		*		1
30	B2529373B00A	FEED PLATE MEDIUM SIZE BUTTON		*		1
31	SS7150940SP	SCREW 15/64-28 L=9		*		1
32	SS7150940SP	SCREW 15/64-28 L=9		*		1
33	SD0640391TP	HINGE SCREW D=6.35 H=3.9		*		2
34	14618052	METAL BUTTON CLAMP COMPL.				1
35	WP0501016SD	WASHER 5X10.5X1		*		2
36	SS7150940SP	SCREW 15/64-28 L=9		*		1
37	SS7150940SP	SCREW 15/64-28 L=9		*		1
38	SS9120910TP	SCREW 3/16-28 L=9		*		2
39	SS8120740SP	SCREW 3/16-28 L=7		*		1
40	B2411372000	BUTTON CLAMP STUD		*		1
41	B2412372000	BUTTON CLAMP BLOCK		*		1
42	SS7110540SP	SCREW 11/64-40 L=5		*		1
43	B2405372000	BUTTON CLAMP LEVER		*		1
44	SS7110710SP	SCREW 11/64-40 L=7		*		1
45	B2406372000	SHANK BUTTON HOLDING CLAMP		*		1
46	SS7110570SP	SCREW 11/64-40 L=4.8		*		1
47	B2402372000	BUTTONCLAMPLEVERHOLDINGSHAFT		*		1

ATTACHMENT COMPONENTS FOR MODEL MB-1800 (1)

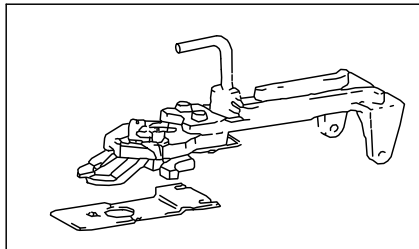
(1)Z035



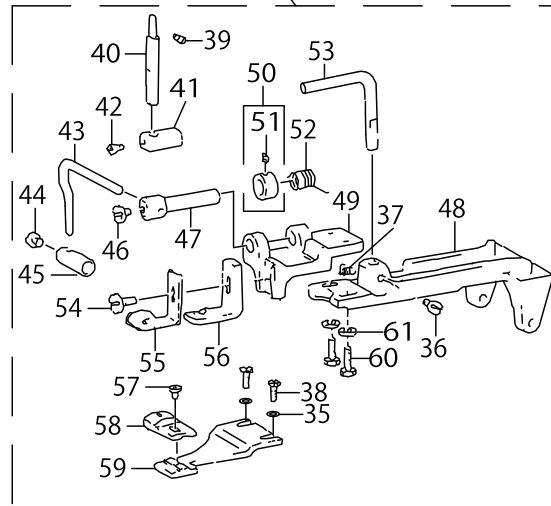
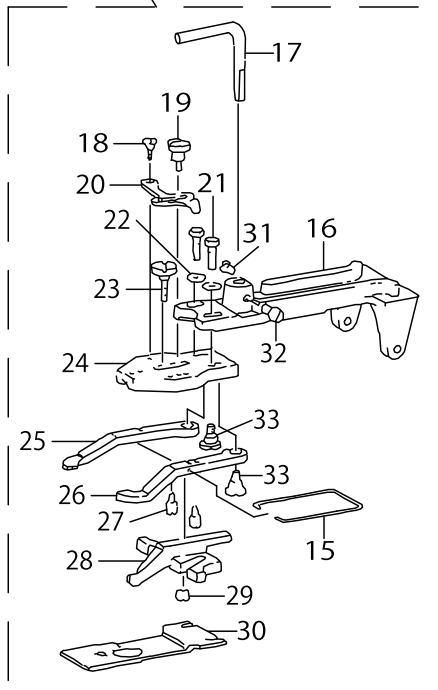
(3)14618052



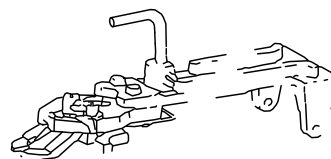
(2)14617955



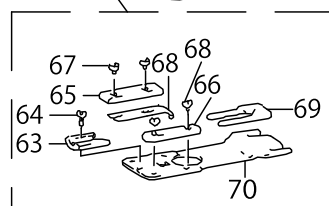
14



(4)Z039



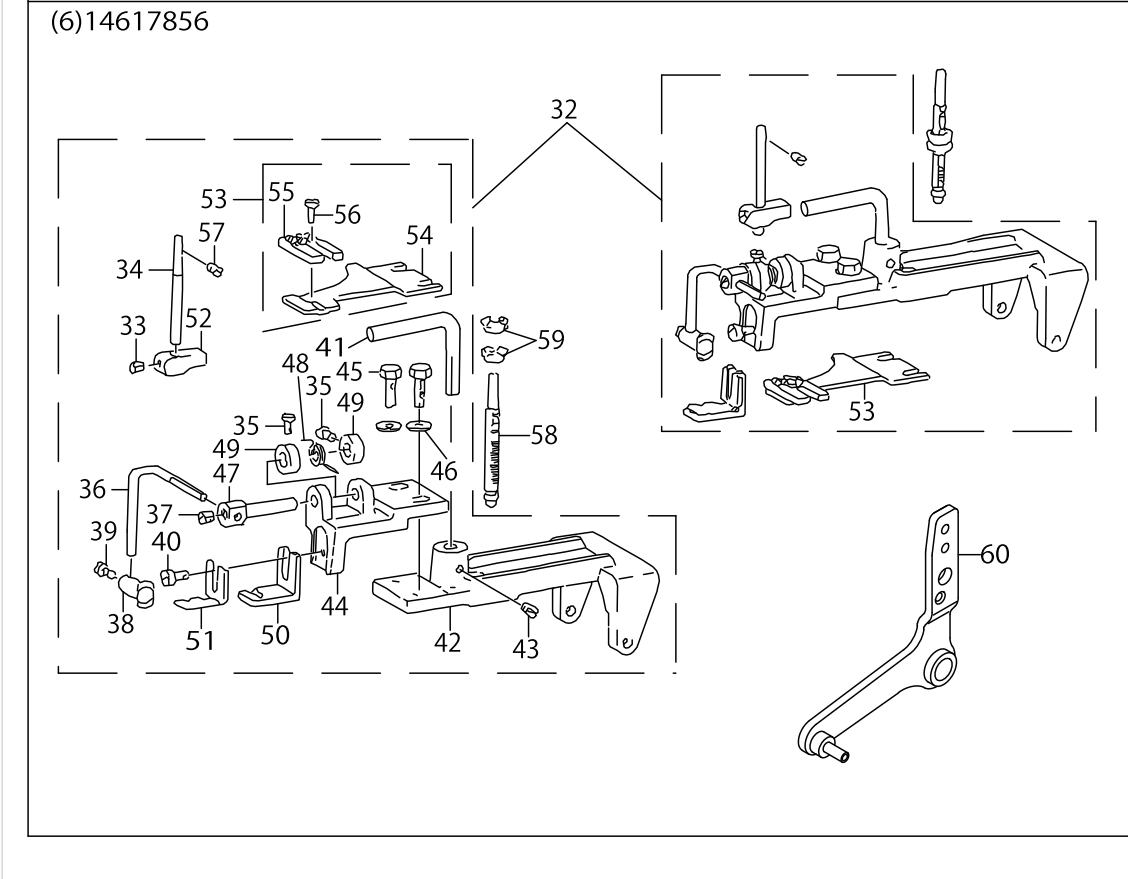
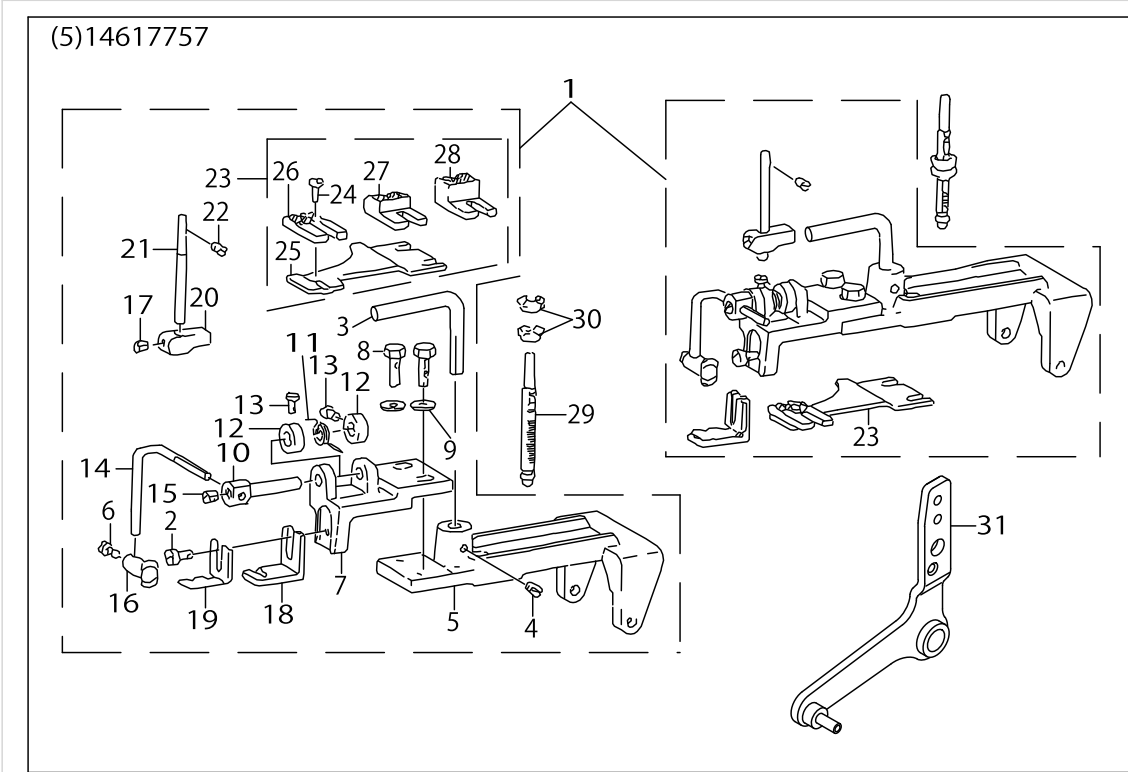
62



ATTACHMENT COMPONENTS FOR MODEL MB-1800 (1)

No.	Parts No.	Parts name	Remarks	Level	Cons	Qty
48	B254237200C	BUTTON CLAMP HOLDER		*		1
49	B240137200B	SHANK BUTTON CLAMP BRACKET		*		1
50	CS072081ASP	THRUST COLLAR ASM. D=7.24 W=8		*		1
51	SS8110410TP	SCREW 11/64-40 L=3.5		*		1
52	B2404372000	SPRING FOR LEVER HOLDING SHAFT		*		1
53	14602502	LIFTING ROD		*		1
54	SS6111140SP	SCREW 11/64-40 L=11		*		1
55	B2422372000	METAL SHANK BUTTON GUARD		*		1
56	B2421372000	METAL SHANK BUTTON ADAPTER		*		1
57	SS6110480SP	SCREW 11/64-40 L=4.3		*		1
58	B2423373000	METALBUTTONWORK SUPPORT PLATE		*		1
59	B2470373000	BUTTON CLAMP FEED PLATE		*		1
60	SS9621413SP	SCREW 3/16-32 L=13.5		*		2
61	WP0501016SD	WASHER 5X10.5X1		*		2
62	MAZ039010A0	REINFORCING-STAY BUTTON ATCHMT				1
63	MAT60905Z00A	HOLDER (B)		*		1
64	SS6080340SP	SCREW 1/8-44 L=2.9		*		1
65	MAT60903Z00A	GUIDE (B)		*		1
66	MAT60902Z00	GUIDE (A)		*		1
67	SS6080340SP	SCREW 1/8-44 L=2.9		*		4
68	MAZ00906000	PRESSER SPRING		*		1
69	MAT60904Z00A	HOLDER (A)		*		1
70	MAZ03901000	FEED PLATE		*		1

ATTACHMENT COMPONENTS FOR MODEL MB-1800 (2)

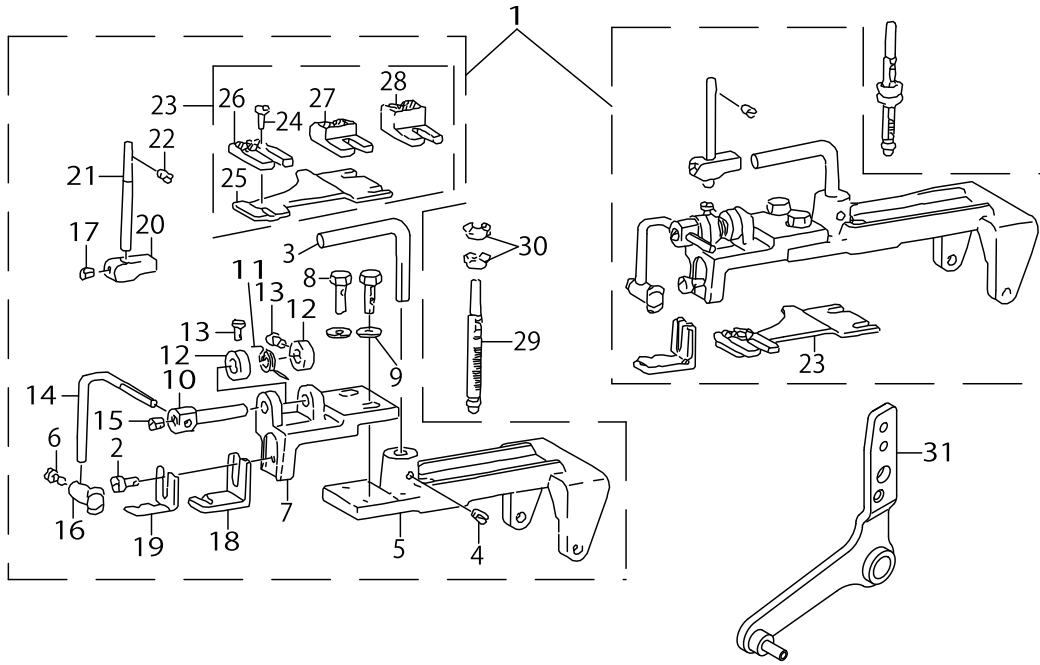


ATTACHMENT COMPONENTS FOR MODEL MB-1800 (2)

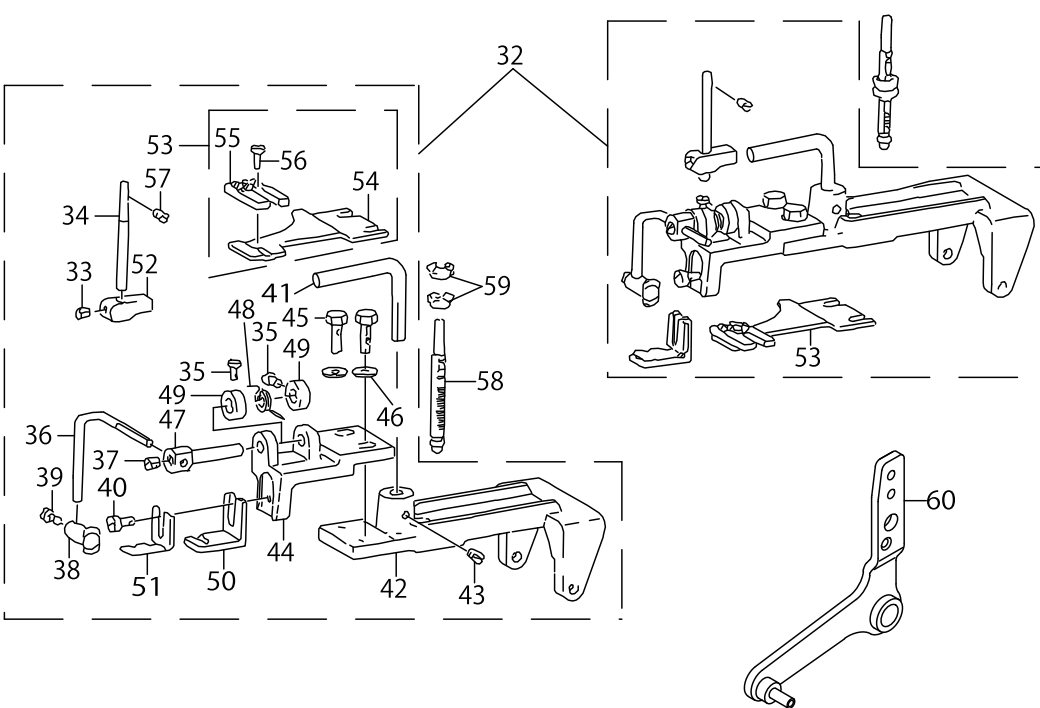
No.	Parts No.	Parts name	Remarks	Level	Cons	Qty
1	14617757	BUTTON CLAMP COMPL.				1
2	SS6111140SP	SCREW 11/64-40 L=11		*		1
3	14602502	LIFTING ROD		*		1
4	B2431372L00	SET SCREW		*		1
5	B2542372L0A	BUTTON CLAMP HOLDER L		*		1
6	SS7110730SP	SCREW 11/64-40 L=6.5		*		1
7	B2401372L0AA	BUTTON CLAMP HOLDER L		*		1
8	SS9621413SP	SCREW 3/16-32 L=13.5		*		2
9	WP0501016SD	WASHER 5X10.5X1		*		2
10	B2402372L00	ROLLER STUD FOR TRIPPING LEVER		*		1
11	B2404372L00	SPRING FOR HOLDING SHAFT		*		1
12	B2426372L00A	THRUST RING L		*		2
13	SS7090620TP	SCREW 9/64-40 L=6.1		*		2
14	B2405372L00	BUTTON CLAMP LEVER		*		1
15	B2429372L00	SET SCREW		*		1
16	B2406372L00A	SHANK BUTTON HOLDING CLAMP L		*		1
17	B2433372L00	SET SCREW		*		1
18	B2419372L00	SHANK BUTTON ADAPTER		*		1
19	B2408372L00	SHANK BUTTON GUARD		*		1
20	B2412372L00	BUTTON CLAMP BLOCK		*		1
21	B2411372L00	BUTTON CLAMP STUD		*		1
22	SS8120740SP	SCREW 3/16-28 L=7		*		1
23	B2409373LA0	BUTTON CLAMP FEED PLATE ASM. L		*		1
24	B2434372L00	SET SCREW		*		1
25	B2409373L00	BUTTON CLAMP FEED PLATE (L)		*		1
26	B2410372L0A	WORK SUPPORT PLATE (L)		*		1
27	B2410372L0B	WORK SUPPORT PLATE (L)		*		1
28	B2410372L0C	WORK SUPPORT PLATE (L)		*		1
29	B2544372L00A	PRESSURE ADJUSTING BAR L				1
30	B2435372L00A	NUT L				2
31	40071734	PRESSER_LIFTING_LEVER_ASM.				1
32	14617856	SHANK BUTTON CLAMP COMPL.				1
33	B2433372L00	SET SCREW		*		1
34	B2411372L00	BUTTON CLAMP STUD		*		1
35	SS7090620TP	SCREW 9/64-40 L=6.1		*		2
36	B2405372L00	BUTTON CLAMP LEVER		*		1
37	B2429372L00	SET SCREW		*		1
38	B2406372B00	SHANK BUTTON HOLDING CLAMP (B)		*		1
39	SS7110720SP	SCREW 11/64-40 L=7		*		1
40	SS6111140SP	SCREW 11/64-40 L=11		*		1
41	14602502	LIFTING ROD		*		1
42	B2542372L0A	BUTTON CLAMP HOLDER L		*		1
43	B2431372L00	SET SCREW		*		1
44	B2401372L0AA	BUTTON CLAMP HOLDER L		*		1
45	SS9621413SP	SCREW 3/16-32 L=13.5		*		2
46	WP0501016SD	WASHER 5X10.5X1		*		2
47	B2402372L00	ROLLER STUD FOR TRIPPING LEVER		*		1

ATTACHMENT COMPONENTS FOR MODEL MB-1800 (2)

(5)14617757



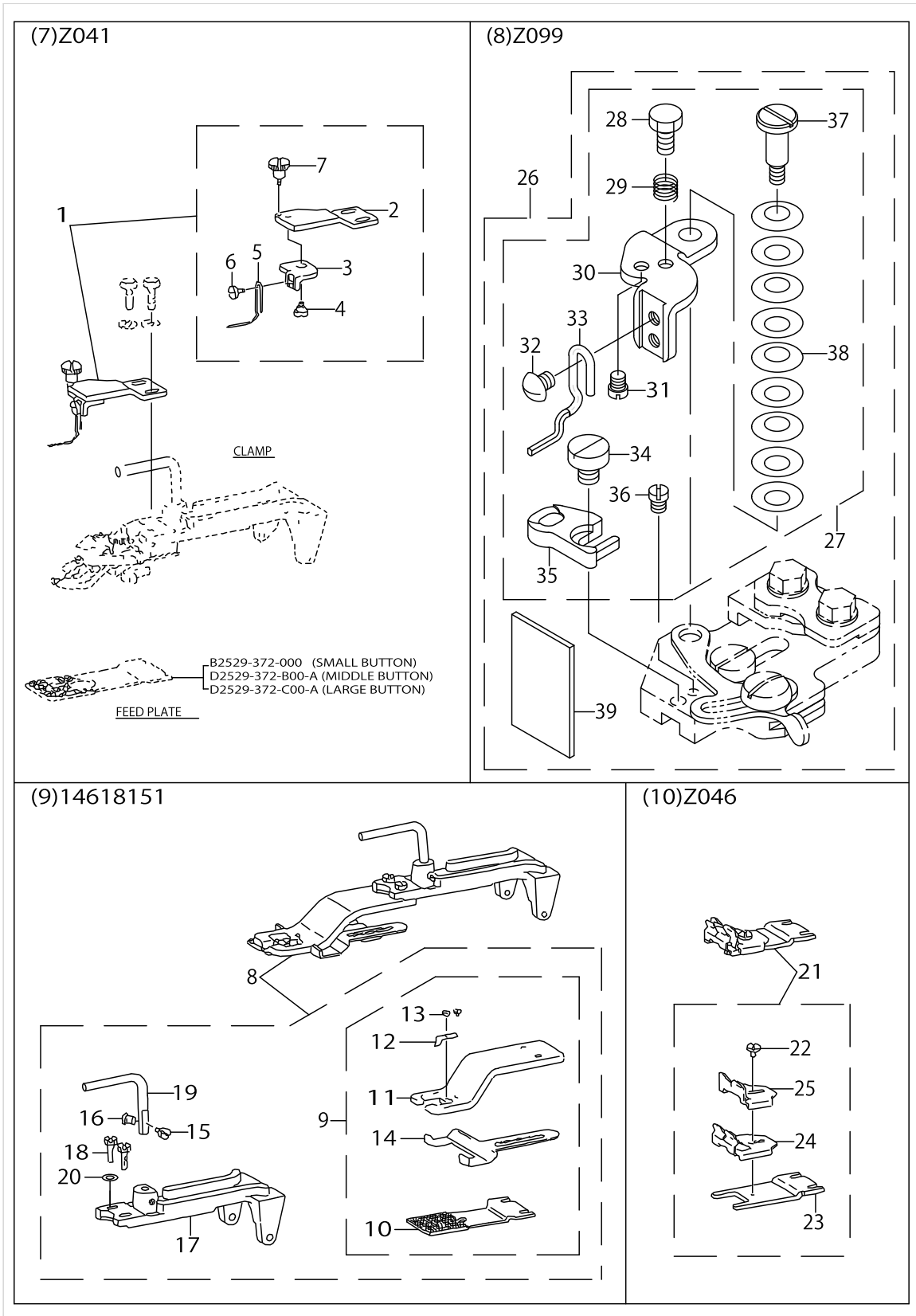
(6)14617856



ATTACHMENT COMPONENTS FOR MODEL MB-1800 (2)

No.	Parts No.	Parts name	Remarks	Level	Cons	Qty
48	B2404372L00	SPRING FOR HOLDING SHAFT		*		1
49	B2426372L00A	THRUST RING L		*		2
50	B2419372C00	SHANK BUTTON ADAPTER		*		1
51	B2408372B00	SHANK BUTTON GUARD		*		1
52	B2412372L00	BUTTON CLAMP BLOCK		*		1
53	B2409373BA0	FEED PLATE ASM.		*		1
54	B2409373L00	BUTTON CLAMP FEED PLATE (L)		*		1
55	B2410372B00	BUTTON CLAMP SUPPORT PLATE 6MM		*		1
56	B2434372L00	SET SCREW		*		1
57	SS8120740SP	SCREW 3/16-28 L=7		*		1
58	B2544372L00A	PRESSURE ADJUSTING BAR L				1
59	B2435372L00A	NUT L				2
60	40071734	PRESSER_LIFTING_LEVER_ASM.				1

ATTACHMENT COMPONENTS FOR MODEL MB-1800 (3)

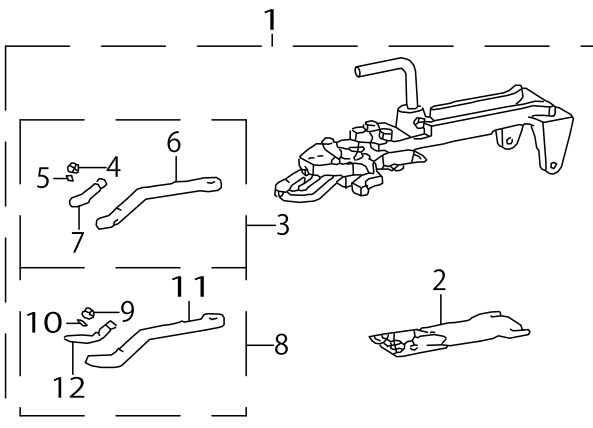


ATTACHMENT COMPONENTS FOR MODEL MB-1800 (3)

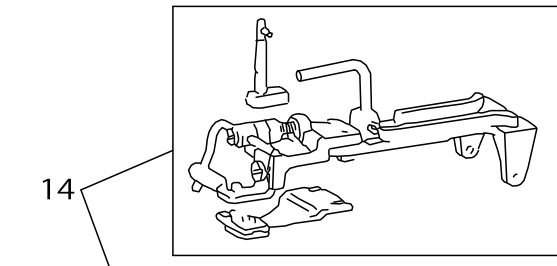
No.	Parts No.	Parts name	Remarks	Level	Cons	Qty
1	MAZ041010A0	WRAPPED AROUND BUTTON CLAMP ASM.				1
2	MAZ04101000	ADJUSTING BASE		*		1
3	MAZ04102000	GUIDE BAR		*		1
4	SD0630301SP	HINGE SCREW D=6.35 H=3		*		1
5	MAZ04103000	GUIDE BAR (SHANK BUTTON WIDTH)		*		1
6	SS5080710SP	SCREW 1/8-44 L=6.5		*		1
7	B2549372000	CLAMP SCREW A		*		1
8	14618151	LABEL SEWER ATTACHMENT COMPL.				1
9	MAT64401ZA0	CLAMP ASM. FOR LABEL		*		1
10	MAZ04404000A	FEED PLATE		*		1
11	MAT61401Z00	CLAMP FOR LABEL		*		1
12	MAT61402Z00	SPRING		*		1
13	SS5060310SP	SCREW 3/32-56 L=2.8		*		2
14	MAT61403Z00	STOPPER		*		1
15	SS7150940SP	SCREW 15/64-28 L=9		*		1
16	SS7150940SP	SCREW 15/64-28 L=9		*		1
17	26025502	BUTTON CLAMP HOLDER		*		1
18	SS9621413SP	SCREW 3/16-32 L=13.5		*		2
19	14602502	LIFTING ROD		*		1
20	WP0501016SD	WASHER 5X10.5X1		*		2
21	MAZ046010A0	FEED PLATE ASM.				1
22	SS7110570SP	SCREW 11/64-40 L=4.8		*		1
23	MAZ04601000	PAJAMAS FITTING PLATE		*		1
24	MAT61603Z00	CLOTH PLATE		*		1
25	MAT61602Z00	PLATE		*		1
26	14134050	BUTTON ATTCHMENT ASM.				1
27	14134159	BUTTON ATTCHMENT		*		1
28	SS9090813TP	SCREW 9/64-40 L=8		*		1
29	MAT03509000	SPRING		*		1
30	14134100	ADJUSTING BASE		*		1
31	B2446372000	GUIDE PIN		*		1
32	SS3090530SP	SCREW 9/64-40 L=4.5		*		1
33	14134308	THREAD GUIDE BAR A		*		1
34	SS6120620TP	SCREW		*		1
35	14134209	NEEDLE HOLDER BASE		*		1
36	B2446372000	GUIDE PIN		*		1
37	MAT61104Z00	SCREW		*		1
38	WZ0620550KP	WASHER		*		9
39	29344702	INSTRUCTION MANUAL Z099		*		1

ATTACHMENT COMPONENTS FOR MODEL MB-1800 (4)

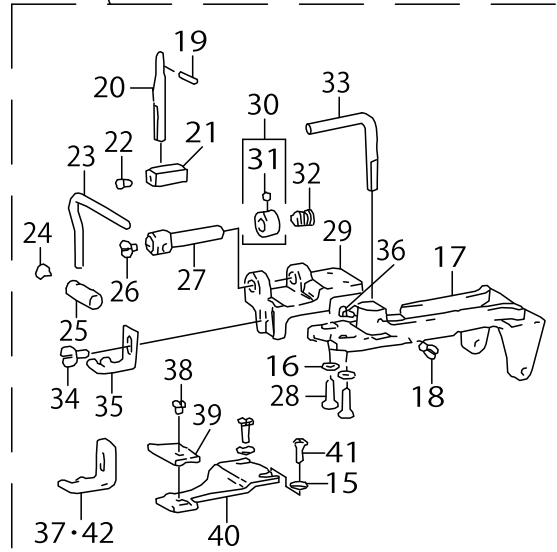
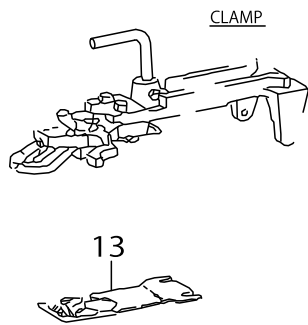
(11)14617559



(13)14617658



(12)Z032



ATTACHMENT COMPONENTS FOR MODEL MB-1800 (4)

No.	Parts No.	Parts name	Remarks	Level	Cons	Qty
1	14617559	LARGE BUTTON CLAMP COMPL.				1
2	D2529373C00A	FEED PLATE LARGE BUTTON		*		1
3	D2555372CA0	WORKCLAMPFOOTASM.(LEFT&LARGE)		*		1
4	SS7090410SP	SCREW 9/64-40 L=3.5		*		1
5	B2559372000	BUTTON CLAMP LOCATING PIN		*		1
6	D2555372C00	WORK CLAMP FOOT ASM. (LEFT)		*		1
7	D2556372C00	BUTTON HOLDING SPRING LEFT		*		1
8	D2557372CA0	BUTTON CLAMP LEVER JAW RIGHT		*		1
9	SS7090410SP	SCREW 9/64-40 L=3.5		*		1
10	B2559372000	BUTTON CLAMP LOCATING PIN		*		1
11	D2557372C00	BUTTON HOLDING SPRING RIGHT		*		1
12	D2558372C00	BUTTON HOLDING SPRING RIGHT		*		1
13	D2529373B00A	FEED PLATE SMALL BUTTON				1
14	14617658	SHANK BUTTON CLAMP COMPL.				1
15	WP0501016SD	WASHER 5X10.5X1		*		2
16	WP0501016SD	WASHER 5X10.5X1		*		2
17	B254237200C	BUTTON CLAMP HOLDER		*		1
18	SS7150940SP	SCREW 15/64-28 L=9		*		1
19	SS8120740SP	SCREW 3/16-28 L=7		*		1
20	B2411372000	BUTTON CLAMP STUD		*		1
21	B2412372000	BUTTON CLAMP BLOCK		*		1
22	SS7110540SP	SCREW 11/64-40 L=5		*		1
23	B2405372000	BUTTON CLAMP LEVER		*		1
24	SS7110710SP	SCREW 11/64-40 L=7		*		1
25	B2406372000	SHANK BUTTON HOLDING CLAMP		*		1
26	SS7110570SP	SCREW 11/64-40 L=4.8		*		1
27	B2402372000	BUTTONCLAMPLEVERHOLDINGSHAFT		*		1
28	SS9621413SP	SCREW 3/16-32 L=13.5		*		2
29	B240137200B	SHANK BUTTON CLAMP BRACKET		*		1
30	CS072081ASP	THRUST COLLAR ASM. D=7.24 W=8		*		1
31	SS8110410TP	SCREW 11/64-40 L=3.5		*		1
32	B2404372000	SPRING FOR LEVER HOLDING SHAFT		*		1
33	14602502	LIFTING ROD		*		1
34	SS6111140SP	SCREW 11/64-40 L=11		*		1
35	B2408372000	SHANK BUTTON GUARD		*		1
36	SS7150940SP	SCREW 15/64-28 L=9		*		1
37	B2419372B00	SHANK BUTTON ADAPTER (B)		*		1
38	SS6110480SP	SCREW 11/64-40 L=4.3		*		1
39	B2410372000	BUTTONCLAMPWORKSUPPORTPLATE		*		1
40	B2470373000	BUTTON CLAMP FEED PLATE		*		1
41	SS9120910TP	SCREW 3/16-28 L=9		*		2
42	B2419372A00	SHANK BUTTON ADAPTER (A)		*		1

HOW TO MAKE USE OF THIS PARTS LIST

1.Explanation of codes

1)"*"mark.....means this part is changed from the previous parts book.

As to the details of the change, refer to the "List for information of change".

2)"#01".....refer to "Note" explanation at bottom of page.

2.Codes on the "Qty" column

- Each numeral indicates the number of parts required.
- "0.1" and "2.5" indicate the length (in meters) of the respective parts.

3.Parentheses mean that the corresponding part is a subpart that constructs an assembly part.

4.Dotted lines on the Figures indicate assembly parts.

1."注記"欄の記号説明

1) "*"印.....前回のパーツブックに比較して今回変更された部品を意味します。

変更内容は、"変更情報リスト"を参照してください。

2) "#01".....ページ下の"注記"の説明を参照してください。

2.数量欄の数字は、個数を表し、0.1、2.5等の数値は、長さ（単位メートル）を表します。

3.数量欄の（ ）は、組部品を構成している子部品であることを意味します。

4.イラストページの-----枠は、組構成であることを意味します。

NUMERICAL INDEX OF PARTS

PART NO	PAGE	REF NO.	PART NO	PAGE	REF NO.	PART NO	PAGE	REF NO.
10004109	2	41	14601306	4	62	14606503	18	38
10108009	8	25	14601405	2	34	14606602	12	1
11155108	22	29	14601603	2	38	14606701	12	2
11155207	22	30	14601801	2	3	14606800	12	11
11157559	22	3	14601900	18	11	14606909	12	3
11157567	22	2	14602007	4	61	14607006	12	4
11157666	22	4	14602106	20	13	14607600	22	1
11157765	22	5	14602205	2	23	14607808	2	32
11157963	22	6	14602304	2	25	14607907	10	1
11158060	22	7	14602403	2	30	14608152	10	12
11158300	22	8	14602502	6	8	14608251	10	21
11158409	22	9	14602502	34	53	14609655	24	1
11158516	22	16	14602502	36	53	14611156	14	46
11158607	22	10	14602502	38	41	14611206	4	76
11158706	22	18	14602502	42	19	14611305	4	78
11158805	22	19	14602502	44	33	14611404	30	3
11158904	22	23	14602551	6	6	14611800	4	13·79
11159001	22	20	14602601	14	5	14617559	44	1
11272408	8	19	14602759	14	1	14617658	44	14
13160304	24	63	14602809	6	29	14617757	38	1
13160304	26	63	14603005	14	17	14617856	38	32
13760707	10	22	14603104	14	27	14617955	34	14
13766308	14	47	14603401	14	21	14618052	34	34
13771704	26	62	14603500	18	1	14618151	42	8
13858808	10	6	14603609	18	6	16627507	14	15
13887005	18	35	14603708	18	7	16992604	8	20
14134050	42	26	14603906	8	13	17007402	22	11
14134100	42	30	14604003	8	14	17008004	4	86
14134159	42	27	14604102	8	15	17848458	24	24
14134209	42	35	14604409	8	31~33	18216457	30	24
14134308	42	33	14604508	8	31~33	18216655	30	34
14146708	26	69	14604607	8	31~33	22602601	2	39
14146757	26	65	14604805	18	2	22932800	24	4
14146807	26	70	14605109	10	36	22933006	24	26
14507156	12	15	14605208	10	32	22933105	24	9
14517601	16	48	14605307	10	38	22933303	24	23
14600407	2	13·79	14605653	14	26	23517808	14	36
14600506	2	14	14605703	14	33	26003756	8	9
14600605	2	1	14605802	14	31	26013805	8	1
14600704	2	17	14605901	18	24	26015206	8	11
14600803	2	20	14606008	18	25	26015404	8	7
14600902	2	5	14606107	18	21	26015503	8	29
14601009	2	8	14606206	18	32	26021402	10	30
14601108	4	51	14606305	18	41	26024604	12	21
14601207	2	27	14606404	18	36	26024703	12	22

NUMERICAL INDEX OF PARTS

PART NO	PAGE	REF NO.	PART NO	PAGE	REF NO.	PART NO	PAGE	REF NO.
26025106	12	26	40054729	24	27	B1903552000	12	5
26025205	6	1	40054730	24	28	B1905541A00	12	7~10
26025502	6	7	40071734	38	60	B1905541B00	12	7~10
26025502	34	16	40071734	40	60	B1905541C00	12	7~10
26025502	42	17	40085784	24	33	B1905541D00	12	7~10
26025700	6	10	40085785	24	34	B2016372000	10	23
26025809	6	11	40085786	24	35	B2019372000	10	24
26025908	6	12	40085787	24	36	B2021372000	10	27
26026005	6	13	40085788	24	37	B240137200B	36	49
26026005	30	40	40085789	24	38	B240137200B	44	29
26026104	6	14	40085790	24	39	B2401372L0AA	38	44
26026203	6	25	40085791	24	40	B2402372000	34	47
26026302	6	15	40085792	24	41	B2402372000	44	27
26026401	6	26	40085793	24	42	B2402372L00	38	47
26026609	6	16	40085794	24	43	B2404372000	36	52
26026708	6	17	40085795	24	44	B2404372000	44	32
26027003	6	3	40085796	24	47	B2404372L00	38	48
26027102	6	4	40096325	24	45	B2404372L00	40	48
26027409	6	28	40096326	26	48	B2405372000	34	43
26031203	4	48	40096327	26	50	B2405372000	44	23
26031302	4	55	40096354	24	32	B2405372L00	38	36
26031351	4	53	40096866	14	37	B2406372000	34	45
26031401	4	54	40096978	14	35	B2406372000	44	25
26031500	4	58	40102001	12	19	B2406372B00	38	38
26031609	4	56	40113237	30	19	B2406372L00A	38	16
26031708	4	57	40114058	30	1·2	B24063730A0	14	41
26031807	18	27	40114059	30	1·2	B2408372000	44	35
26031906	18	26	40162895	20	21·29	B2408372B00	40	51
26034702	24	5	40163030	20	3·28	B2408372L00	38	19
26037200	24	29	B1126111000	10	8	B2409373BA0	40	53
26212308	14	16	B1211980000	18	4	B2409373L00	38	54
26230409	10	41	B1220771000	18	5	B2409373L00	40	54
29344702	42	39	B1232372000	8	34	B2409373LA0	38	23
40006323	26	72	B1234372A00	8	5	B2410280000	4	64
40010067	2	43	B1235373000	8	3	B2410372000	44	39
40011382	20	3·28	B1236373000	8	2	B2410372B00	40	55
40013923	8	35	B1239372000	8	26	B2410372L0A	38	26
40013924	8	36	B1241373000	14	40	B2410372LOB	38	27
40022039	26	61	B12413730B0	14	39	B2410372LOC	38	28
40023556	6	9	B1421372000	24	3	B2410373000	14	42
40023920	26	57	B1432761000	14	24	B2411372000	34	40
40033635	24	25	B1453761000	14	23	B2411372000	44	20
40038120	18	29	B1513210D00	14	12	B2411372L00	38	34
40038121	18	30	B1515210D00	14	14	B2412372000	34	41
40038122	18	31	B1616210000	10	3	B2412372000	44	21

NUMERICAL INDEX OF PARTS

PART NO	PAGE	REF NO.	PART NO	PAGE	REF NO.	PART NO	PAGE	REF NO.
B2412372L00	38	52	B2549372R00A	30	4	D2529373C00A	44	2
B2412372L00	40	52	B2552372B00	34	28	D2555372C00	44	6
B2413373N00	14	29	B2553372000	34	29	D2555372CA0	44	3
B2414373000	24	10	B2555372B00	34	25	D2556372C00	44	7
B2419372A00	44	37-42	B2557372B00	34	26	D2557372C00	44	11
B2419372B00	44	37-42	B2559372000	30	37	D2557372CA0	44	8
B2419372C00	40	50	B2559372000	44	10	D2558372C00	44	12
B2419372L00	38	18	B2560372000	30	43	D8113555B00	22	21
B2421372000	36	56	B2560372000	34	27	D8115555B00	22	22
B2422372000	36	55	B2561372000	32	47	D8204555D00	22	32
B2423373000	36	58	B2561372000	34	15	D8232555B00	2	11
B2426372L00A	38	49	B3010141H00	18	17	D9317762T00	34	11
B2426372L00A	40	49	B3116125000	10	29	GBR01601000A	30	11
B2429372L00	38	37	B3120125000	10	28	GBR01602000	30	41
B2431372L00	38	43	B3129012A00	10	18	GBR01606000	30	8
B2433372L00	38	33	B3130373N00	32	49	GBR01607000	30	9
B2434372L00	38	56	B3132012000	10	26	GPK510010C0	22	36
B2434372L00	40	56	B3406581000	4	65	GPK570010B0	22	37
B2435372L00A	38	59	B4004210D00	4	59	HD000570000	14	19
B2435372L00A	40	59	B4416373000	34	10	HD00057000A	4	75
B2440373000	34	2	B44163730A0	34	9	HD00057000A	12	17
B24403730A0	34	1	B4417372000	14	2	HW5F18S1228	28	8
B2441372000	34	3	B4420373000	34	13	HX00065000B	2	44
B2442372000	34	5	B8103980000	24	11	HX000980000	20	14
B24423720A0	34	4	B81085550A0	22	14	HX00150000F	4	81
B2446372000	42	36	B9140372000	24	7-8	HX00237000A	4	74
B2448372000	34	6	B9143372000	24	6	HX00292000A	4	82
B2470373000	36	59	BP600000000	10	43	HX00339000E	20	12
B2470373000	44	40	CM200100001	2	47	HX005350000	20	15
B2529373000	12	25-28	CM300100001	2	40	J106600000D	24	7-8
B2529373B00A	34	30	CM300200001	2	45	M2003630000	20	4
B2541372000	6	2	CM301300001	2	42	M2010630000	28	38
B254237200C	36	48	CM500200001	2	46	M20116300A0	28	35
B254237200C	44	17	CM600100101	26	73	M3001630000	20	5
B2542372L0A	38	42	CM600100201	26	56	M85026300A0	20	17
B2544372L00A	38	58	CS072081ASP	36	50	M85046300A0	20	21-29
B2544372L00A	40	58	CS072081ASP	44	30	M85056300A0	20	18
B2547372000	30	17	CS0790721TH	8	27	M85066300A0	20	19
B2547372000	34	24	CS1001011SH	8	17	M85076300A0	20	20
B2548372000	34	20	CS1201010SH	4	63	M85086300A0	14	9
B2548372R00A	30	13	D2107555B00	28	26	M85096300B0	10	34
B2549280000	12	6	D2118555B00A	28	5	M85126300A0	28	1
B2549372000	2	37	D2529373B00A	12	25-28	M85146300A0	20	22
B2549372000	34	19	D2529373B00A	44	13	M85156300A0	28	2
B2549372000	42	7	D2529373C00A	32	46	M85166300A0	28	32

NUMERICAL INDEX OF PARTS

PART NO	PAGE	REF NO.	PART NO	PAGE	REF NO.	PART NO	PAGE	REF NO.
M85176300A0	28	3	MAZ041010A0	42	1	PS0300201KP	10	7
M85186300A0	28	33	MAZ04102000	42	3	RE0250000K0	28	27
M85196300A0	28	39	MAZ04103000	42	5	RE0901110K0	28	10
M85205900A0	22	34	MAZ04404000A	42	10	RO074240100	20	9
M85206300A0	26	64	MAZ04601000	42	23	SB108000500	18	10
M85216300A0	20	27	MAZ046010A0	42	21	SB115000200	18	8
M85236000A0	20	16	MAZ08801000	28	4	SB31000080A	8	21~24
M85405900A0	20	6	MAZ08802000	28	12	SB31000080B	8	21~24
M8601630AA0	20	1	MAZ08803000	28	13	SB31000080C	8	21~24
M86026300A0A	20	2	MAZ08822000A	30	25	SB31000080D	8	21~24
M8901630000	12	13	MAZ0882200AA	30	27	SD0460571CP	28	21
M8903630000	18	15	MAZ088220A0A	30	23	SD0500251SP	2	35
M8904630000	18	13	MAZ088220AAA	30	22	SD0500404SP	30	5
M90135900A0	22	38	MAZ088220B0A	30	20	SD0550181SP	6	19
M90175800A0	20	26	MAZ088220BAA	30	21	SD0550181SP	34	18
M90245800A0	20	23	MAZ08823000A	30	36	SD0550211SP	28	22
M90345800A0	20	25	MAZ0882300AA	30	35	SD0550301SP	6	18
M90355800A0	20	24	MAZ088230A0A	30	32	SD0550301SP	34	23
MAO11532000	24	20	MAZ088230AAA	30	33	SD0550303SP	30	16
MAO25026000	4	70	MAZ088230B0A	30	31	SD0600095TH	14	43
MAO720020A0	22	33	MAZ088230BAA	30	30	SD0600271SP	2	7
MAT03509000	42	29	MAZ088270A0	30	7	SD0600322SD	10	4
MAT60902Z00	36	66	MAZ08828000	30	29	SD0630272SP	14	32
MAT60903Z00A	36	65	MAZ08829000	30	39	SD0630301SP	42	4
MAT60904Z00A	36	69	MAZ16522000	32	45	SD0640241SP	8	10
MAT60905Z00A	36	63	MTQ700B1600	18	22	SD0640391TP	6	20
MAT61104Z00	42	37	MTQ700B1602	24	2	SD0640391TP	30	44
MAT61401Z00	42	11	NM6040003SC	28	36	SD0640391TP	34	33
MAT61402Z00	42	12	NM6043212SA	28	9	SD0640451TP	14	30
MAT61403Z00	42	14	NM6050001SE	26	55	SD0640641SP	12	23
MAT61602Z00	42	25	NM6060002SE	24	19	SD0641003SP	10	5
MAT61603Z00	42	24	NM6080001SE	22	24	SD0790433TP	14	6
MAT64401ZA0	42	9	NM6120001SE	22	15	SD0790641SP	2	12
MAT80110L00	18	19	NM6160013SN	26	60	SD0800681SP	4	69
MAT80113T00	28	6	NS6080210SP	30	10	SD0801021TP	18	43
MAT80115T00	28	7	NS6090310SP	4	66	SK3311601SE	22	31
MAZ00906000	36	68	NS6090310SP	30	12	SK3412001SE	24	13
MAZ02504000	28	18	NS6110310SP	28	20	SK3482001SE	22	35
MAZ02505000	28	19	NS6110420SP	14	38	SK3482001SE	24	21
MAZ02506000	28	15	NS6150310SP	4	84	SK3483201SE	22	28
MAZ025060A0	28	14	NS6150430SP	4	68	SL4030591SC	10	35
MAZ02507000A	28	16	NS6150430SP	14	25	SL4030881SC	20	8
MAZ03901000	36	70	NS6160520SP	10	25	SL4031091SC	4	72
MAZ039010A0	36	62	NS6660511SP	6	5	SL4031091SC	12	18
MAZ04101000	42	2	PS0300062KH	10	9	SL4031091SC	14	20

NUMERICAL INDEX OF PARTS

PART NO	PAGE	REF NO.	PART NO	PAGE	REF NO.	PART NO	PAGE	REF NO.
SL4040681SC	20	10	SS6151040SP	2	28	SS7150940SP	44	36
SL9061291SE	22	25	SS6151812TP	4	67	SS7151210SP	2	31
SL9082091SE	22	26	SS6151812TP	18	39	SS7661540SP	14	10
SM1033501SC	20	7	SS6660710TP	2	2	SS8110310SP	8	8
SM4020301SC	8	37	SS7080310SP	14	44	SS8110410TP	8	6
SM4040601SB	28	28	SS7080510TP	18	23	SS8110410TP	36	51
SM4040655SP	24	30	SS7090410SP	6	27	SS8110410TP	44	31
SM4051405SE	26	54	SS7090410SP	44	9	SS8120740SP	34	39
SM6030402TP	14	3	SS7090520TP	30	38	SS8120740SP	38	57
SM6061202TP	24	14	SS7090610SP	10	10	SS8120740SP	40	57
SM6083042CH	4	50	SS7090620TP	8	28	SS8120740SP	44	19
SM6088502TP	4	88	SS7090620TP	38	35	SS8150410TP	8	30
SM8050602TP	12	12	SS7090850SP	12	16	SS8150510TP	18	16
SM8050602TP	28	34	SS7091480SP	30	6	SS8150822TP	14	28
SM9062003SC	4	91	SS7110340SP	28	29	SS8151150TP	8	16
SM9065513SF	24	15	SS7110350SP	4	49	SS8153010SR	4	83
SS1110710SP	8	4	SS7110410SP	8	38	SS8660512TP	8	18
SS2110920TP	14	45	SS7110410SP	10	37	SS8660512TP	18	3
SS3090530SP	42	32	SS7110410SP	18	14	SS8660612TP	18	37
SS4110515SP	2	33	SS7110510SP	4	60	SS9090813TP	26	67
SS4120615SP	28	31	SS7110510SP	10	2	SS9090813TP	42	28
SS4120915SP	2	52	SS7110510SP	14	34	SS9091010SP	30	42
SS4120915SP	4	52	SS7110540SP	34	42	SS9110453TP	18	33
SS4150715SP	2	26	SS7110540SP	44	22	SS9110513TP	34	8
SS4150715SP	10	31	SS7110570SP	34	46	SS9110620TP	10	33
SS4150915SP	2	24	SS7110570SP	42	22	SS9120623TP	12	24·27
SS5060310SP	28	17	SS7110570SP	44	26	SS9120643TP	10	42
SS5060310SP	42	13	SS7110710SP	28	37	SS9120643TP	12	24·27
SS5080710SP	42	6	SS7110710SP	34	44	SS9120910TP	34	38
SS6060440TP	4	71	SS7110710SP	44	24	SS9120910TP	44	41
SS6080340SP	26	68	SS7110720SP	38	39	SS9150910SP	20	11
SS6080340SP	36	67	SS7110730SP	38	6	SS9621413SP	6	23
SS6091210TP	18	28	SS7110740TP	2	21	SS9621413SP	30	14
SS6110420TP	4	89	SS7110840SP	2	15	SS9621413SP	34	60
SS6110480SP	36	57	SS7110840SP	8	12	SS9621413SP	36	60
SS6110480SP	44	38	SS7110840SP	12	20	SS9621413SP	38	45
SS6111052TP	4	80	SS7110840SP	18	12	SS9621413SP	42	18
SS6111052TP	12	14	SS7110840SP	24	22	SS9621413SP	44	28
SS6111140SP	36	54	SS7111110TP	18	42	SS9660720SP	4	73
SS6111140SP	38	40	SS7150740SP	2	85	TA1050504R0	2	19
SS6111140SP	44	34	SS7150740SP	4	85	WP0370316SD	26	71
SS6120620TP	42	34	SS7150940SP	6	22	WP0371026SD	14	4
SS6121050SP	10	39	SS7150940SP	30	18	WP0430800SD	10	11
SS6121050SP	14	22	SS7150940SP	34	37	WP0430800SD	24	31
SS6121220TP	28	23	SS7150940SP	42	16	WP0430801SC	32	48

NUMERICAL INDEX OF PARTS

PART NO	PAGE	REF NO.
WP045000SD	18	20
WP0450826SC	10	40
WP0480856SP	18	34
WP0480856SP	28	30
WP0501016SD	2	16
WP0501016SD	6	24
WP0501016SD	30	15
WP0501016SD	34	61
WP0501016SD	36	61
WP0501016SD	38	46
WP0501016SD	42	20
WP0501016SD	44	16
WP0531000SD	2	36
WP0531001SC	26	53
WP0560860SE	14	13
WP0612056SE	24	17
WP0621016SD	4	90
WP0621016SD	18	40
WP0641600SC	24	16
WP0650876SD	14	11
WP0651056SD	4	92
WP0704016SP	4	77
WP0751576SD	34	12
WP0753016SZ	10	44
WP0871602SE	22	27
WP1302501SE	22	12
WP1612616SE	24	46
WP1702600S0	26	59
WS0410002KS	28	11
WS0510002KN	26	52
WS0510002KP	2	22
WS0521010KN	28	24
WS0610002KR	24	18
WS0650389KP	2	6
WS0820002KP	4	87
WS1253010KN	22	13
WS1643202KR	26	58
WZ0620550KP	42	38