

MODEL : LU-2216N-7/LU-2266N-7

List No : 1287-10

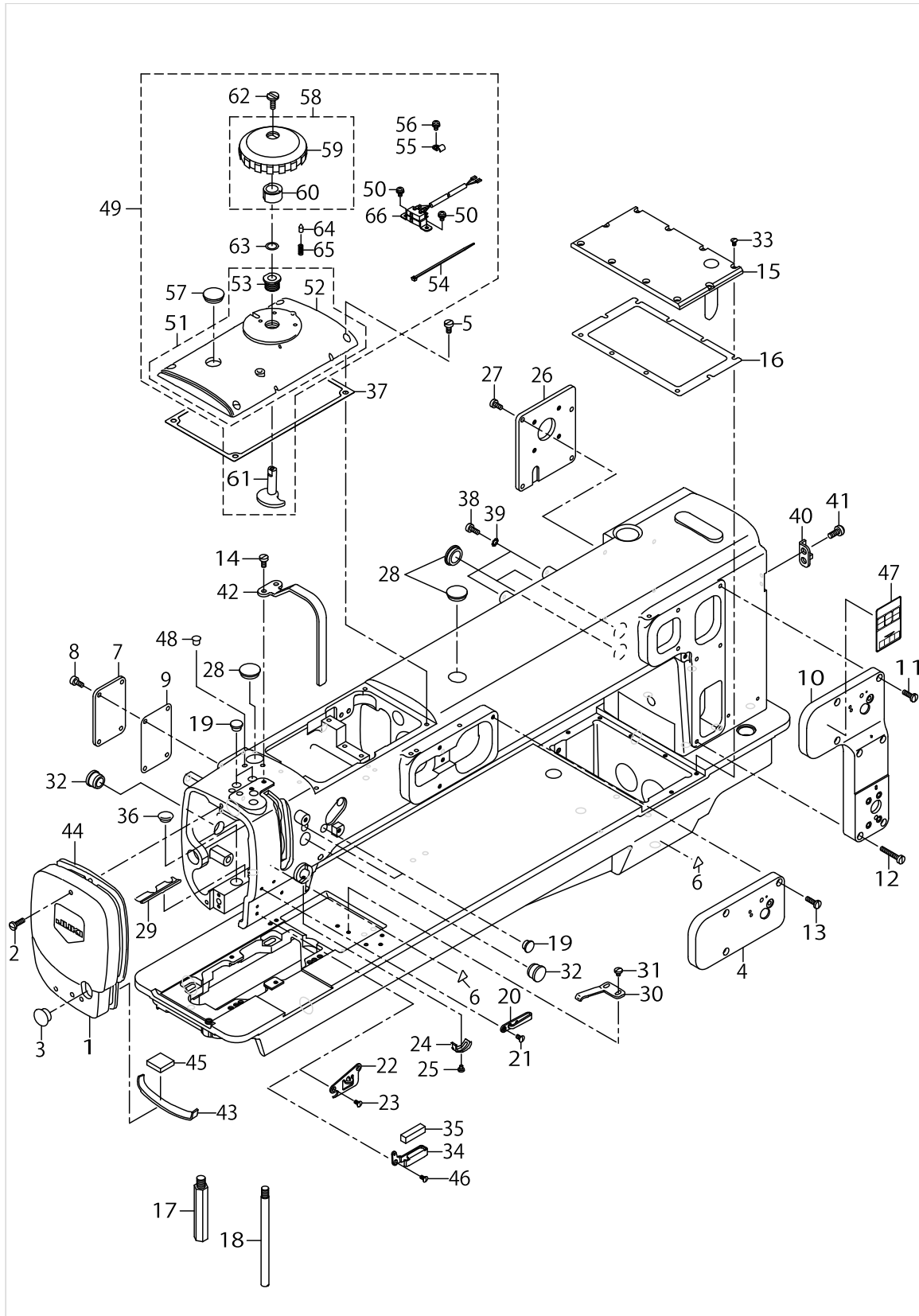
PARTS LIST

Published:09/22/2017

CONTENTS

FRAME & MISCELLANEOUS COVER COMPONENTS	1
MAIN SHAFT,HOOK DRIVING SHAFT DELIVERY & THREAD TAKE-UP LEVER COMPONENTS.....	5
NEEDLE BAR ROCKING COMPONENTS	9
UPPER FEED MECHANISM COMPONENTS	11
FEED ADJUSTMENT & REVERSE FEED MECHANISM COMPONENTS	15
LOWER FEED MECHANISM COMPONENTS	17
RIGHT HOOK SHAFT BASE THREAD TRIMMER COMPONENTS	21
LEFT HOOK SHAFT BASE THREAD TRIMMER COMPONENTS(FOR LU-2266N-7)	25
RIGHT HOOK SHAFT BASE & HOOK COMPONENTS	27
LEFT HOOK SHAFT BASE COMPONENTS(FOR LU-2266N-7)	31
THREAD TENSION COMPONENTS	35
LOWER THREAD WINDER MECHANISM COMPONENTS	39
PRESSURE ADJUSTING COMPONENTS.....	41
PRESSER LIFTER,AUTOMATIC PRESSER LIFTER & TENSION RELEASE MECHANISM.....	43
COMPONENTS	
LUBRICATION COMPONENTS	45
CONTROL DEVICE COMPONENTS.....	49
TABLE & BELT COVER COMPONENTS	51
THREAD STAND COMPONENTS.....	53
GAUGE COMPONENTS(LU-2216N-7 STANDARD PARTS).....	55
GAUGE COMPONENTS(LU-2266N-7 STANDARD PARTS).....	57
ACCESSORIES PARTS COMPONENTS	59
MUTUAL RISING QUANTITY TRANSFER COMPONENTS.....	61
BACK TUCK COMPONENTS	63
TABLE OF EXCHANGING GAUGE PARTS(LU-2266N-7).....	65
TABLE OF EXCHANGING GAUGE PARTS(LU-2216N-7)(1)	71
TABLE OF EXCHANGING GAUGE PARTS(LU-2216N-7)(2)	73
LIST FOR INFORMATION OF CHANGE.....	75
HOW TO MAKE USE OF THIS PARTS LIST	76

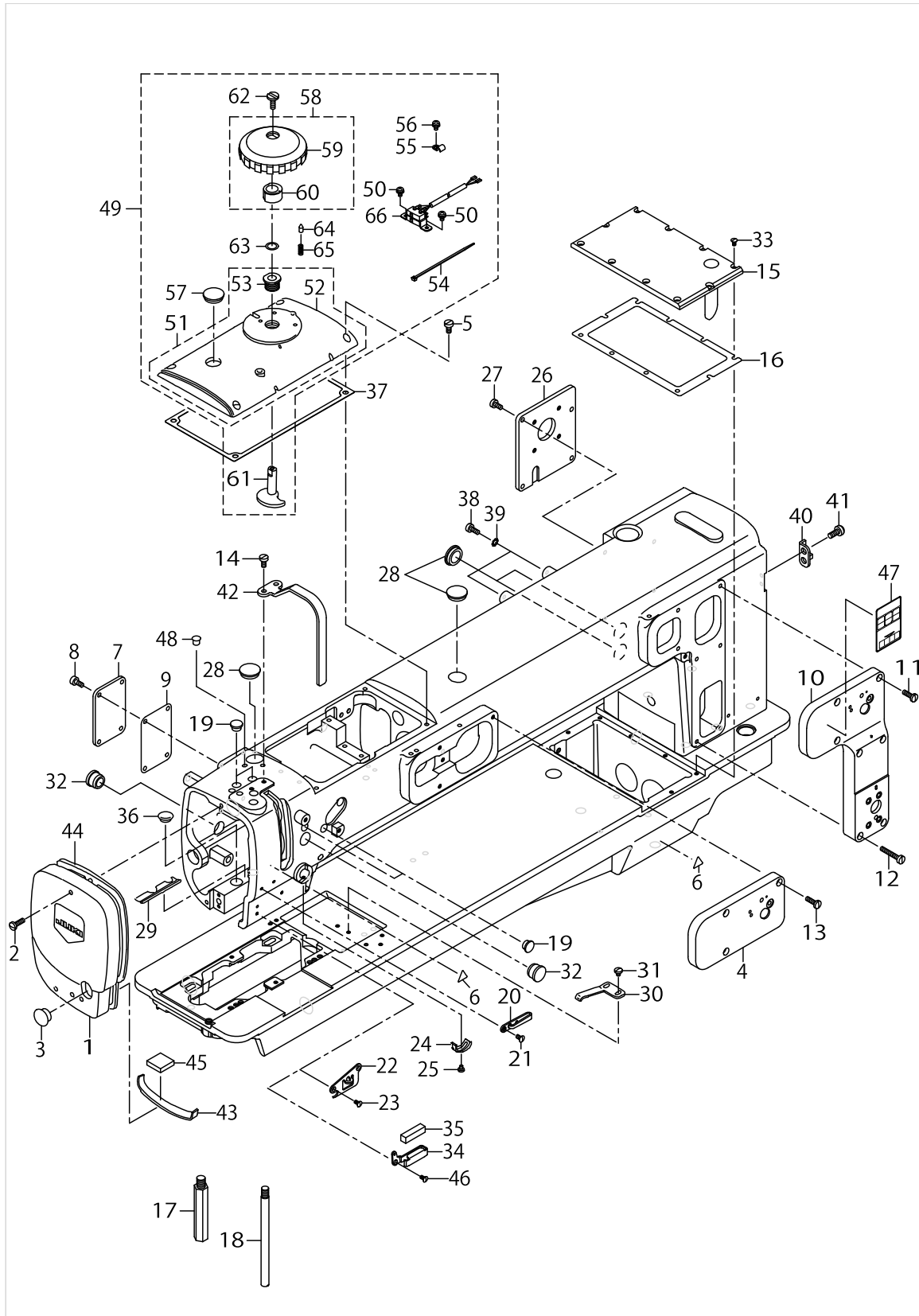
FRAME & MISCELLANEOUS COVER COMPONENTS



FRAME & MISCELLANEOUS COVER COMPONENTS

No.	Parts No.	Parts name	Remarks	Level	Cons	Qty
1	10743151	FACE PLATE ASM.				1
2	SS7121610SP	SCREW 3/16-28 L=15.5				2
3	TA1250406R0	RUBBER PLUG D=12.5 L=4				1
4	23151301	FACE APERTURE PLATE LEFT				1
5	SS6121010SP	SCREW 3/16-28 L=10				4
6	CM300200001	ATTENTION SEAL				2
7	10743003	SIDE COVER				1
8	SS6121010SP	SCREW 3/16-28 L=10				4
9	10700706	SIDE COVER PACKING				1
10	10742708	FACE APERTURE PLATE				1
11	SS7121610SP	SCREW 3/16-28 L=15.5				3
12	SS6123010SP	SCREW 3/16-28 L=30.0				4
13	SS7121610SP	SCREW 3/16-28 L=15.5				3
14	SS6121010SP	SCREW 3/16-28 L=10				2
15	40073870	BED TOP COVER ASM.				1
16	23151707	TOP COVER PACKING				1
17	10701308	BED STRUT				1
18	10777308	BED STEW C				1
19	TA1050504R0	RUBBER PLUG				4
20	40084142	THREAD_GUIDE_LOWER				1
21	SS2090810SP	SCREW 9/64-40 L=7.5				1
22	10755700	ARM THREAD GUIDE D				1
23	SS2090710TP	SCREW 9/64-40 L=7.2				2
24	B3138512000	TAKE-UP SPRING ADJUSTING PLATE				1
25	SS7090520SP	SCREW 9/64-40 L=4.5				1
26	23151400	APERTURE PLATE				1
27	SS6121010SP	SCREW 3/16-28 L=10				4
28	TA2050406R0	RUBBER PLUG				3
29	10731701	RUBBER				1
30	B1111563000	BED SLIDE SPRING				1
31	SS7110510SP	SCREW 11/64-40 L=5				2
32	B1150490000	RUBBER PLUG				2
33	SS7110910TP	SCREW 11/64-40 L=8.5				10
34	10774008	FELT THREAD GUIDE	FOR LU-2266N-7			1
35	22603708	FELT	FOR LU-2266N-7			1
36	TA1250504R0	RUBBER PLUG	FOR LU-2266N-7			1
37	10700508	TOP COVER PACKING				1
38	SS6121210SP	SCREW 3/16-28 L=12				2
39	WT0530002KS	TOOTHED WASHER D=5.3				2
40	10745800	FLYWHEEL POINTER				1
41	SS7110510SP	SCREW 11/64-40 L=5				2
42	10754901	THREAD TAKE-UP COVER				1
43	10733103	FACE PLATE FELT				1
44	10704609	FACE PLATE PACKING				1
45	B3510019000	OIL FELT				1
46	SS2090710TP	SCREW 9/64-40 L=7.2	FOR LU-2266N-7			1
47	CM301200001	SAFETY LABEL_S				1

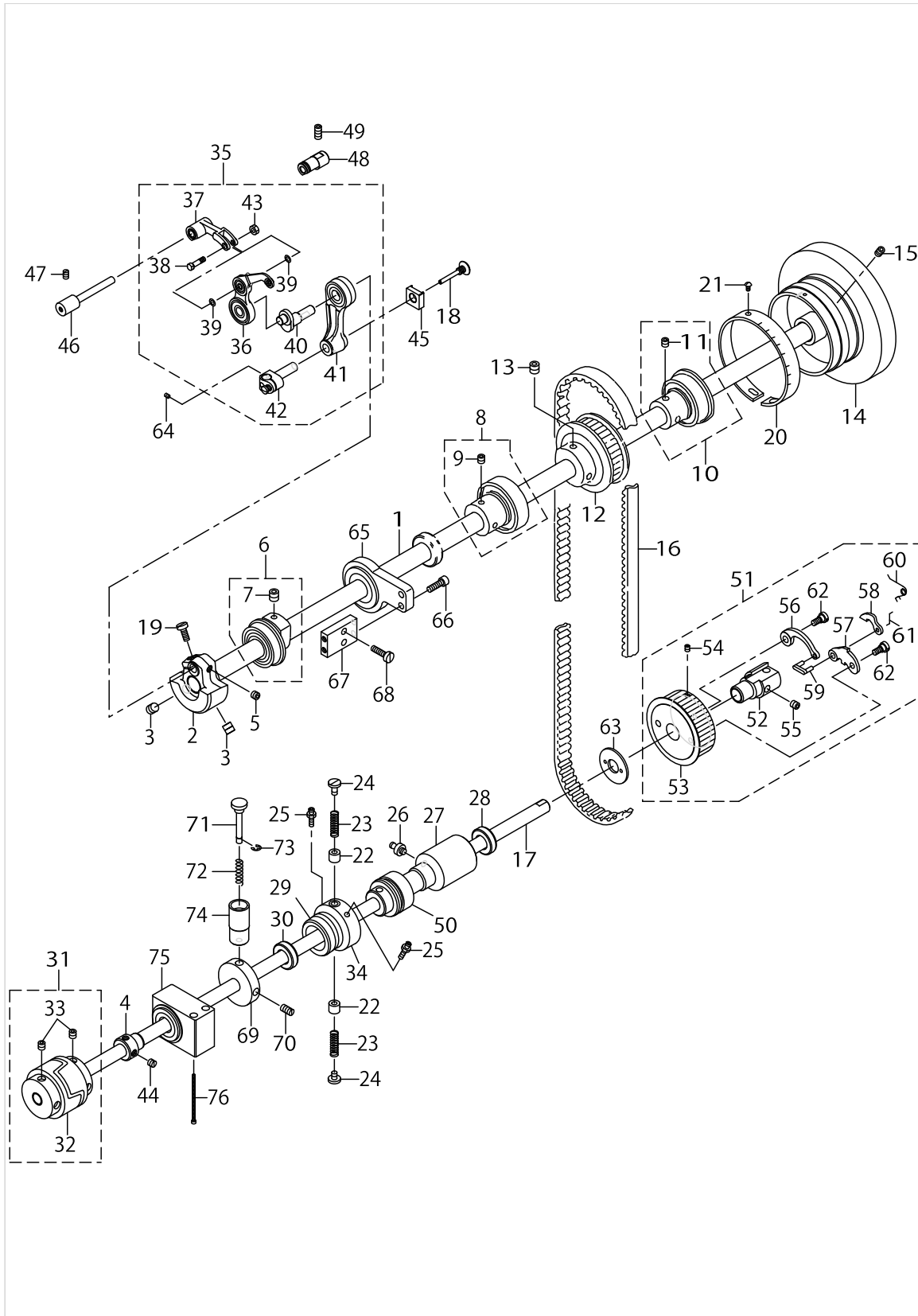
FRAME & MISCELLANEOUS COVER COMPONENTS



FRAME & MISCELLANEOUS COVER COMPONENTS

No.	Parts No.	Parts name	Remarks	Level	Cons	Qty
48	TA0750704R0	RUBBER PLUG				1
49	40100943	TOP COVER ASM.				1
50	SL4040881SC	SCREW M4 L=8		*		2
51	10774651	TOP COVER ASM.		*		1
52	10774602	TOP COVER		*		1
53	40052251	VERTICAL DIAL SHAFT BUSHING		*		1
54	EA9500B0100	CABLE BAND		*		1
55	B3538112000	OIL RETURN TUBE HOLDER		*		1
56	SL4040881SC	SCREW M4 L=8		*		1
57	TA2050406R0	RUBBER PLUG		*		1
58	10774354	UPPER AND LOWER DIAL ASM.		*		1
59	10774305	VERTICAL DIAL		*		1
60	10774404	VERTICAL CAM		*		1
61	40108542	VERTICAL ADJUSTING CAM		*		1
62	SS6110630TP	SCREW 11/64-40 L=6		*		1
63	WZ1052010KP	WAVED WASHER		*		1
64	10715704	VERTICAL DIAL PIN		*		1
65	B152652700G	SPRING		*		1
66	40024852	VERTICAL DETECTOR SWITCH ASM.		*		1

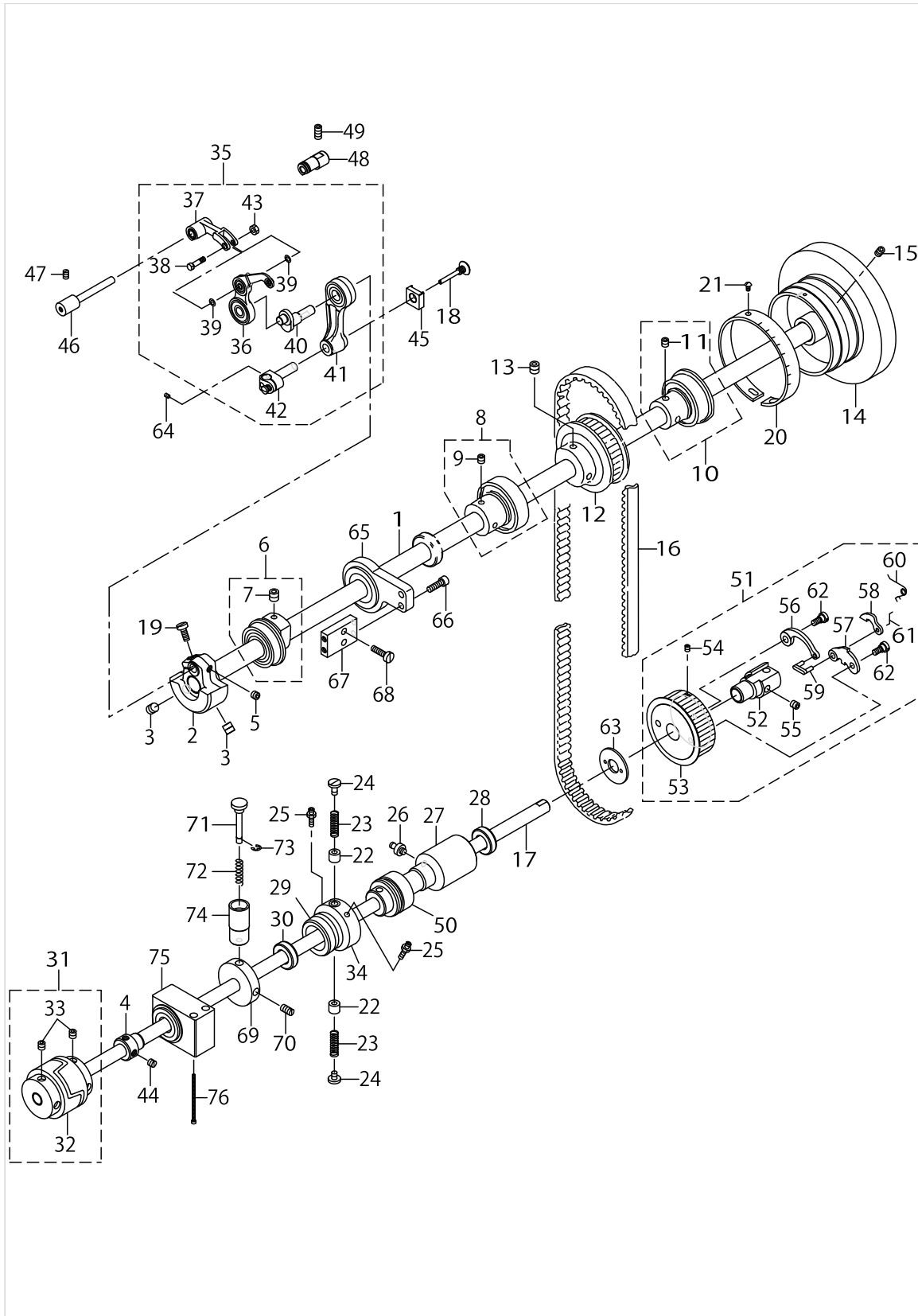
MAIN SHAFT,HOOK DRIVING SHAFT DELIVERY & THREAD TAKE-UP LEVER COMPONENTS



MAIN SHAFT,HOOK DRIVING SHAFT DELIVERY & THREAD TAKE-UP LEVER COMPONENTS

No.	Parts No.	Parts name	Remarks	Level	Cons	Qty
1	23153901	UPPER SHAFT				1
2	23152903	BALANCE WEIGHT				1
3	SM8080812TP	SCREW M8X8				2
4	23154602	LOWER SHAFT BEARING HOLDER				1
5	SS8660512TP	SCREW 1/4-40 L=5				1
6	10704757	BALANCE WEIGHT				1
7	SM8080802TP	SCREW		*		1
8	10704955	UPPER SHAFT BEARING HOOK A ASM				1
9	SM8060602TP	SCREW M6X6		*		2
10	10704963	UPPER SHAFT BEARING HOOK B ASM				1
11	SM8060602TP	SCREW M6X6		*		2
12	10705002	UPPER SPROCKET				1
13	SM8080802TP	SCREW				2
14	10741007	FLYWHEEL LARGE				1
15	SS8150822TP	SCREW 15/64-28 L=8				2
16	10706703	TIMING BELT				1
17	23154404	LOWER SHAFT				1
18	10708303	NEEDLE ROD THRUST SCREW				1
19	SS6621220SP	SCREW 3/16-32 L=12				1
20	10745909	FLYWHEEL SCALE PLATE				1
21	SM3030650SC	SCREW M3X0.5 L=6				3
22	11020401	PLUNGER				2
23	11020609	PLUNGER SPRING				2
24	11020500	PLUNGER SCREW				2
25	SQ1110401MZ	CONNECTING SCREW				2
26	SQ1150451MZ	CONNECTING SCREW				1
27	10775500	LOWER SHAFT REAR METAL				1
28	10705606	LOWER SHAFT METAL OIL SEAL				1
29	10705754	LOWER SHAFT FRONT METAL ASM.				1
30	10705606	LOWER SHAFT METAL OIL SEAL				1
31	40064519	LOWER SHAFT COUPLING SET				1
32	10776656	LOWER SHAFT COUPLING ASM.		*		1
33	SM8060602TP	SCREW M6X6		*		4
34	RO294310100	RUBBER RING				1
35	23152754	BALANCE ASM.				1
36	10771251	BALANCE JUNCTION COMPL.		*		1
37	10707156	BALANCE CRANK JUNCTION		*		1
38	10754802	BALANCE CRANK PIN.		*		1
39	10523702	WASHER		*		2
40	23152705	NEEDLE ROD CRANK		*		1
41	23152853	NEEDLE ROD CRANK ROD ASM.		*		1
42	10707958	NEEDLE ROD HOLDER ASM.		*		1
43	NM6040001SN	NUT M4X0.7		*		1
44	SS8150510TP	SCREW 15/64-28 L=4.7				2
45	23153307	NEEDLE ROD SQUARE BLOCK				1
46	10707206	BALANCE CRANK SHAFT				1
47	SS8120740SP	SCREW 3/16-28 L=7				1

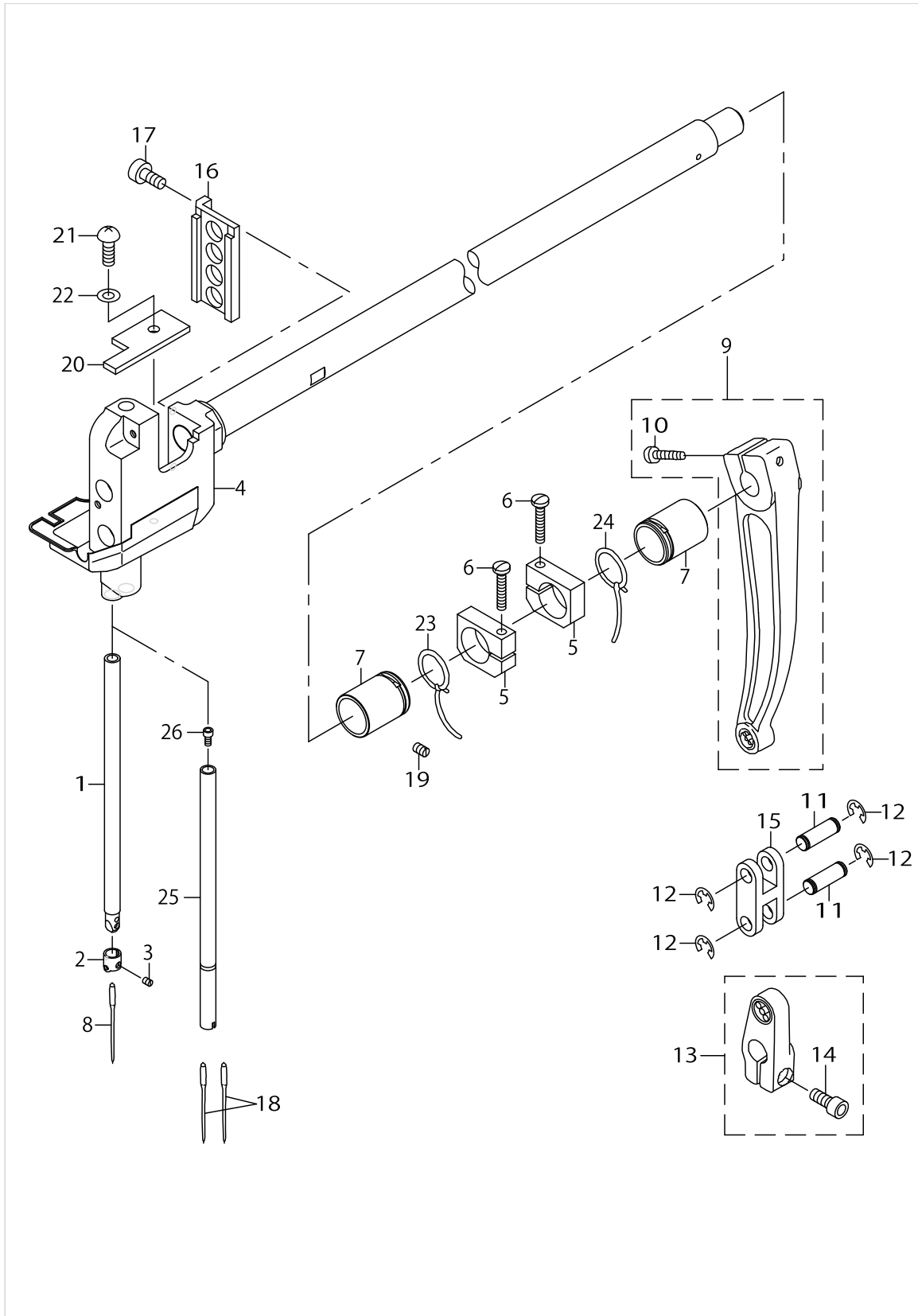
MAIN SHAFT,HOOK DRIVING SHAFT DELIVERY & THREAD TAKE-UP LEVER COMPONENTS



MAIN SHAFT,HOOK DRIVING SHAFT DELIVERY & THREAD TAKE-UP LEVER COMPONENTS

No.	Parts No.	Parts name	Remarks	Level	Cons	Qty
48	10707305	BALANCE CRANK SHAFT SUPPORT				1
49	SM8061212TP	SCREW M6X12				1
50	RO312240100	O-RING				1
51	10775658	SAFETY DEVICE ASM.				1
52	10775609	SAFETY DEVICE HOOK		*		1
53	10706315	LOWER SPROCKET		*		1
54	SM8040502TP	SCREW M4X0.7 L=5		*		1
55	SM8060602TP	SCREW M6X6		*		2
56	10591709	SAFETY SPRING		*		1
57	10748002	SAFETY CLUTCH PAWL		*		1
58	B1308055000	SAFETY CLUTCH COUNTER-HOOK		*		1
59	B1310055000	SAFETY CLUTCH SMALL LINK		*		1
60	40113224	COUNTER HOOK SPRING		*		1
61	B1314055000	SAFETY CLUTCH SMALL LINK PIN		*		1
62	SD0640322TP	HINGE SCREW D=6.35 H=3.2		*		2
63	40052266	LOWER SHAFT COUPLING PLATE				1
64	SM8030402TP	SCREW M3X0.5 L=4				1
65	23154057	BEARING ASM.				1
66	SM6051602TP	SCREW M5X0.8 L=16				2
67	23154107	BEARING BASIS				1
68	SS6121860SP	SCREW 3/16-28 L=18				2
69	23154701	SAFETY CLUTCH DISK				1
70	SS8151150TP	SCREW 15/64-28 L=10.5				2
71	B1636158000	PUSH BUTTON				1
72	B1639158000	PUSH BUTTON SPRING				1
73	RE0400000K0	E-RING 4				1
74	23154800	SAFETY CLUTCH PUSH BUTTON BUSH				1
75	23154552	FRONT METAL HOLDER A				1
76	SM6065002TP	SCREW M6 L=50				2

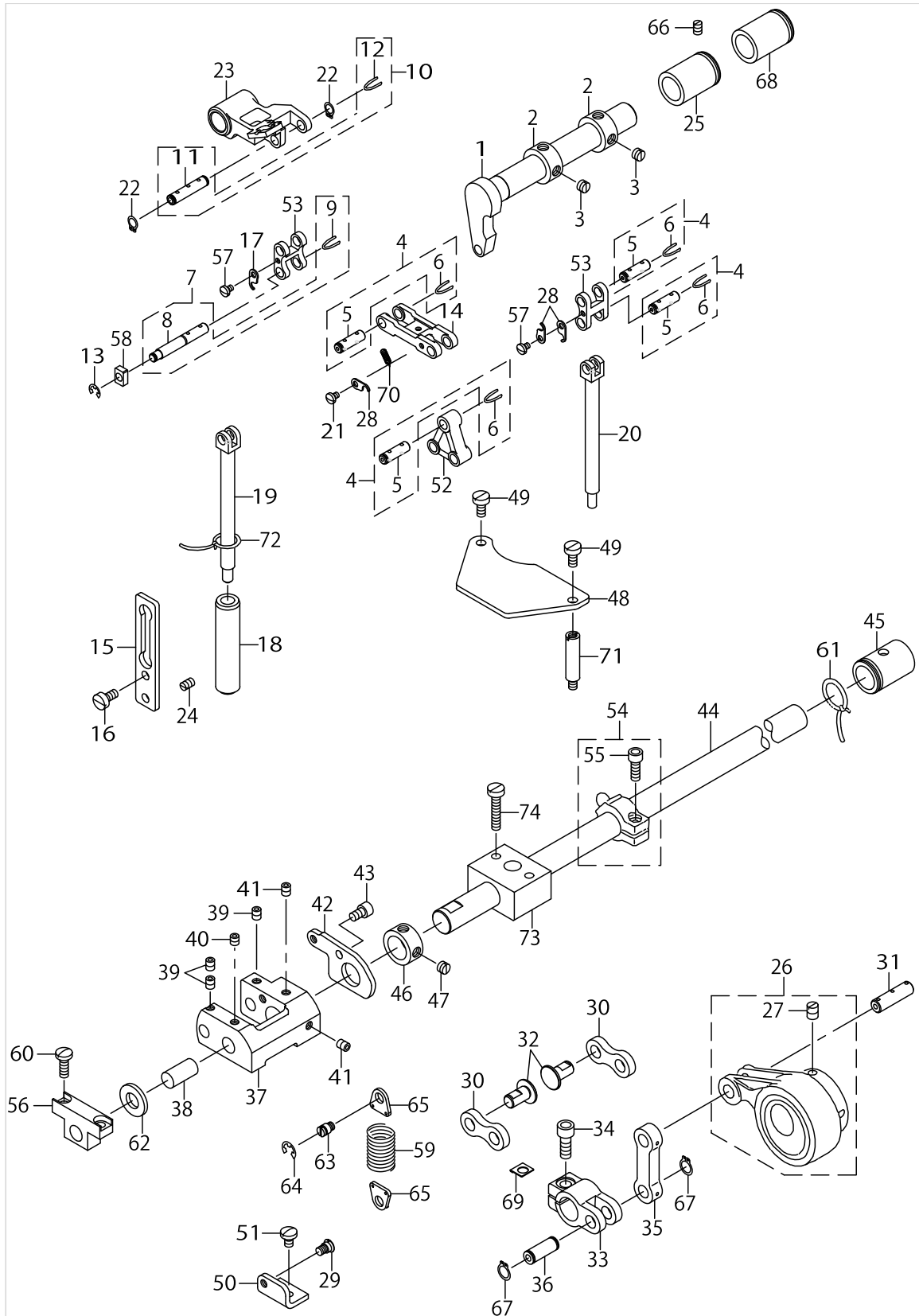
NEEDLE BAR ROCKING COMPONENTS



NEEDLE BAR ROCKING COMPONENTS

No.	Parts No.	Parts name	Remarks	Level	Cons	Qty
1	23153505	NEEDLE BAR				1
2	10708204	NEEDLE BAR THREAD GUIDE				1
3	SS8080410TP	SCREW 1/8-44 L=3.5				1
4	23152663	NEEDLE ROD ROCKING BASE SET				1
5	23153208	THRUST HOLDER				2
6	SS7112420SP	SCREW 11/64-40 L=24				2
7	23153109	FRONT METAL				2
8	MC321001400	NEEDLE 134-35 #140				1
9	10709152	NEEDLE ROD ROCKING LINK ASM.				1
10	SS6152440SP	SCREW 15/64-28 L=23.5		*		1
11	10709202	NEEDLE ROD LINK PIN				2
12	RE0600000K0	E-RING 6				4
13	10709350	FEED ARM ASM.				1
14	SS6151412TP	SCREW 15/64-28 L=14		*		1
15	10709400	NEEDLE ROD ROCKING LINK				1
16	10708501	ROLLER GUIDE BASE				1
17	SM6041012TP	SCREW M4X0.7 L=10				2
18	MC321001400	NEEDLE 134-35 #140	FOR LU-2266N-7			2
19	SS8120740SP	SCREW 3/16-28 L=7				1
20	10733806	SWING STAND FELT LOWER				1
21	SM1040801SC	SCREW M4X0.7 L=8				1
22	WP0450000SD	WASHER 4.5X8X0.5				1
23	CQ202000000	OIL WICK				0.2
24	CQ202000000	OIL WICK				0.2
25	23153406	NEEDLE BAR (FOR 2-NEEDLE)	FOR LU-2266N-7			1
26	SM6030602TP	SCREW M3X0.5 L=6	FOR LU-2266N-7			1

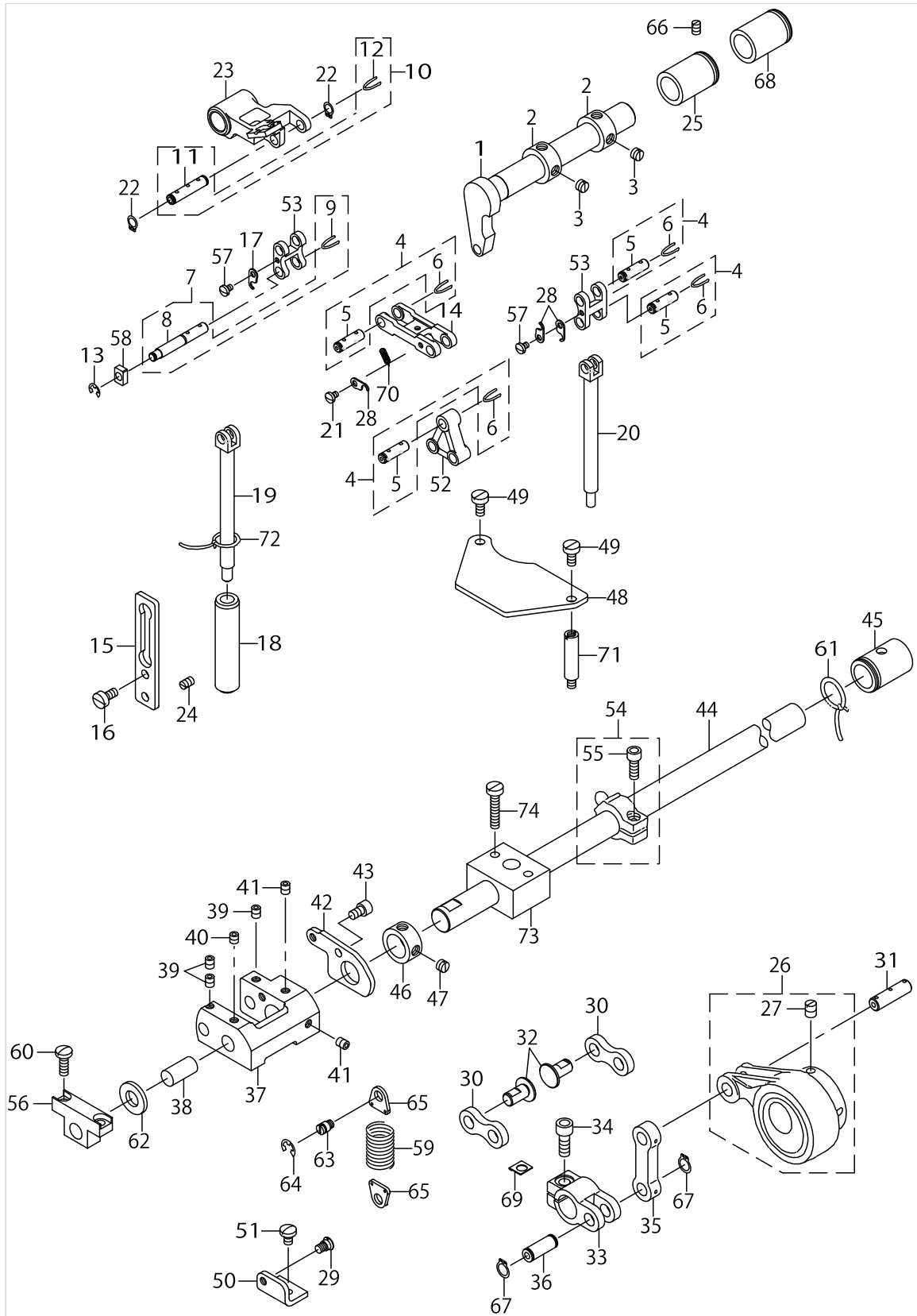
UPPER FEED MECHANISM COMPONENTS



UPPER FEED MECHANISM COMPONENTS

No.	Parts No.	Parts name	Remarks	Level	Cons	Qty
1	10709707	UPPER FEED SHAFT				1
2	CS1501011TH	THRUST COLLAR				2
3	SS8660410SP	SCREW 1/4-40 L=4.2				4
4	40132152	TRIANGLE LEVER SHAFT ASM.				4
5	40130995	TRIANGLE LEVER SHAFT		*		1
6	CQ252000000	OIL WICK		*		0.1
7	40132151	PRESSER ROD GUIDE SHAFT ASM.				1
8	10710309	PRESSER ROD GUIDE SHAFT		*		1
9	CQ252000000	OIL WICK		*		0.1
10	40132153	PRESSER ROD SHAFT ASM.				1
11	10711000	PRESSER ROD SHAFT		*		1
12	CQ252000000	OIL WICK		*		0.1
13	RE0400000K0	E-RING 4				1
14	40052240	CONNECTION LINK				1
15	10710408	PRESSER ROD GUIDE				1
16	SS6121050SP	SCREW 3/16-28 L=9.5				2
17	10710804	TRIANGLE LEVER SHAFT STOPPER				1
18	10710507	PRESSER ROD LOWER METAL				1
19	10710606	PRESSER ROD				1
20	10710705	UPPER FEED ROD				1
21	SS7080510TP	SCREW 1/8-44 L=4.5				1
22	RC0560711KP	RETAINING RING				2
23	10711117	PRESSER BAR GUIDE ARM				1
24	SS8120740SP	SCREW 3/16-28 L=7				1
25	10709608	ROCKING SHAFT METAL				1
26	10713766	ECCENTRIC ROD (SET)				1
27	SS8660810TP	SCREW 1/4-40 L=8		*		2
28	10710804	TRIANGLE LEVER SHAFT STOPPER				3
29	22908909	HINGE SCREW				1
30	40107949	CONNECTION LINK B				2
31	10713808	CONNECTION LINK PIN B				1
32	40052263	CONNECTION LINK B SUPPORT PIN				2
33	10713907	UPPER FEED CAM				1
34	SM6061602TP	SCREW M6 L=16				1
35	10714004	CONNECTION LINK A				1
36	10714103	CONNECTION LINK PIN A				1
37	10714202	VERTICAL CHANGE BELT				1
38	10751303	CHANGE BELT SUPPORT PIN				1
39	SM8050602TP	SCREW M5 L=6				3
40	SM8050502TP	SCREW M5 L=5				1
41	SM8050602TP	SCREW M5 L=6				2
42	10714400	VERTICAL STOPPER PLATE				1
43	SM6051002TP	SCREW M5X0.8 L=10				1
44	23156102	VERTICAL CHANGE BELT SHAFT				1
45	23155203	HORIZONTAL SHAFT METAL				1
46	CS1501011TH	THRUST COLLAR				1
47	SS8660410SP	SCREW 1/4-40 L=4.2				2

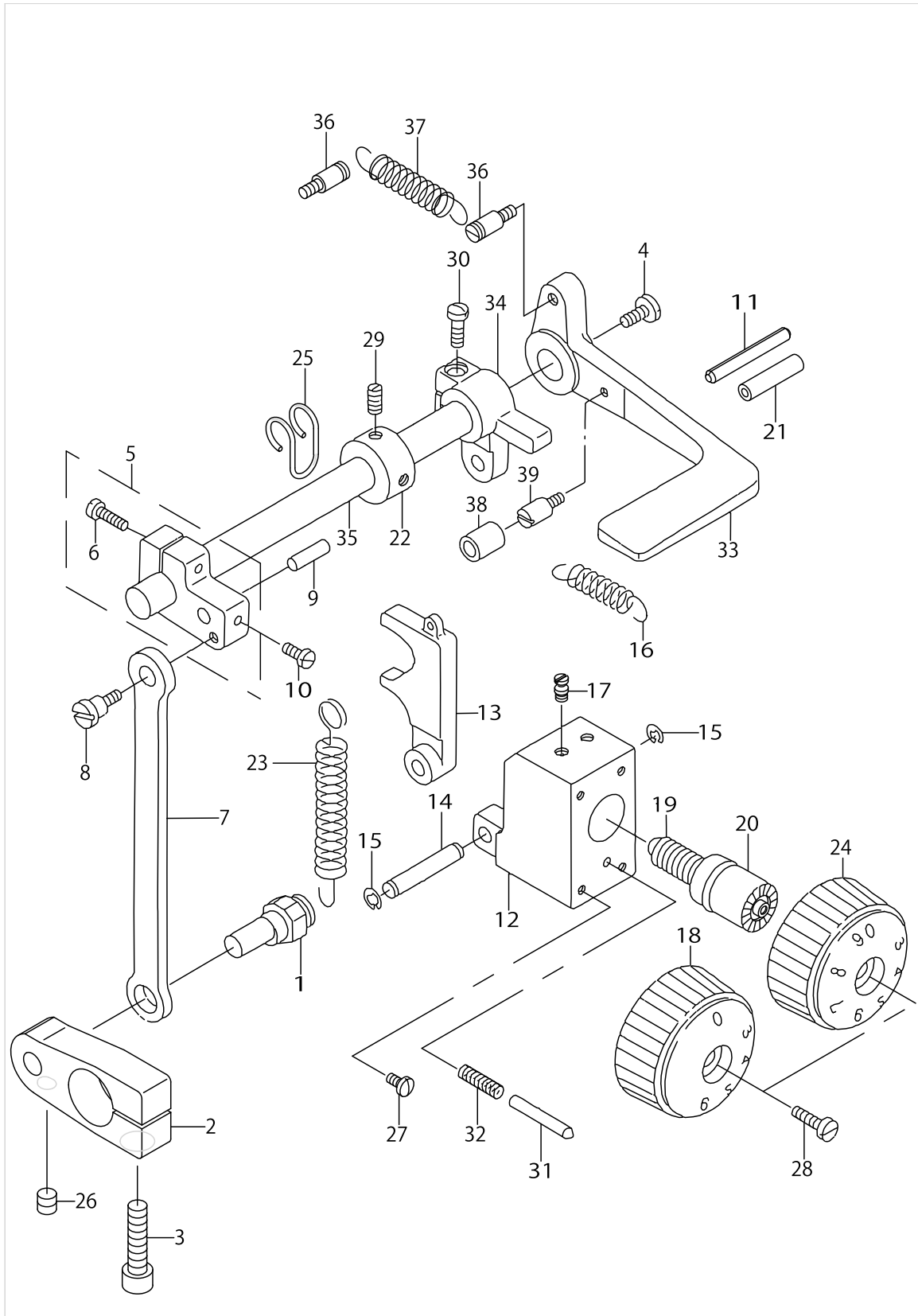
UPPER FEED MECHANISM COMPONENTS



UPPER FEED MECHANISM COMPONENTS

No.	Parts No.	Parts name	Remarks	Level	Cons	Qty
48	23156508	VERTICAL STOPPER HOLD PLATE				1
49	SS6121010SP	SCREW 3/16-28 L=10				2
50	10714905	VERTICAL SHAFT SPRING RACK				1
51	SS7120710SP	SCREW 3/16-28 L=7				1
52	10710002	TRIANGLE LEVER				1
53	10710101	ROCKING LINK				2
54	10715258	VERTICAL ADJUSTING ARM ASM.				1
55	SM6051402TP	SCREW M5X0.8 L=14		*		1
56	23156409	CHANGE SUPPORT				1
57	SS7080510TP	SCREW 1/8-44 L=4.5				2
58	10710200	PRESSER ROD SQUARE BLOCK				1
59	10716504	VERTICAL SHAFT SPRING				1
60	SS7121410TP	SCREW 3/16-28 L=14				2
61	CQ202000000	OIL WICK				0.3
62	10109809	THRUST WASHER, B				1
63	B3416552000	CONNECTING ROD HINGE SCREW				1
64	RE0500000K0	E-RING				1
65	10713501	SPRING HOOK				2
66	SS8120740SP	SCREW 3/16-28 L=7				1
67	RC0740811KP	C-RING				2
68	10708907	ROCKING SHAFT METAL				1
69	10710903	SPACER A				1
70	10739506	GUIDE SPRING				1
71	23156300	STUD				1
72	CQ202000000	OIL WICK				0.2
73	23156201	VERTICAL METAL				1
74	SS6122510SP	SCREW 3/16-28 L=25				2

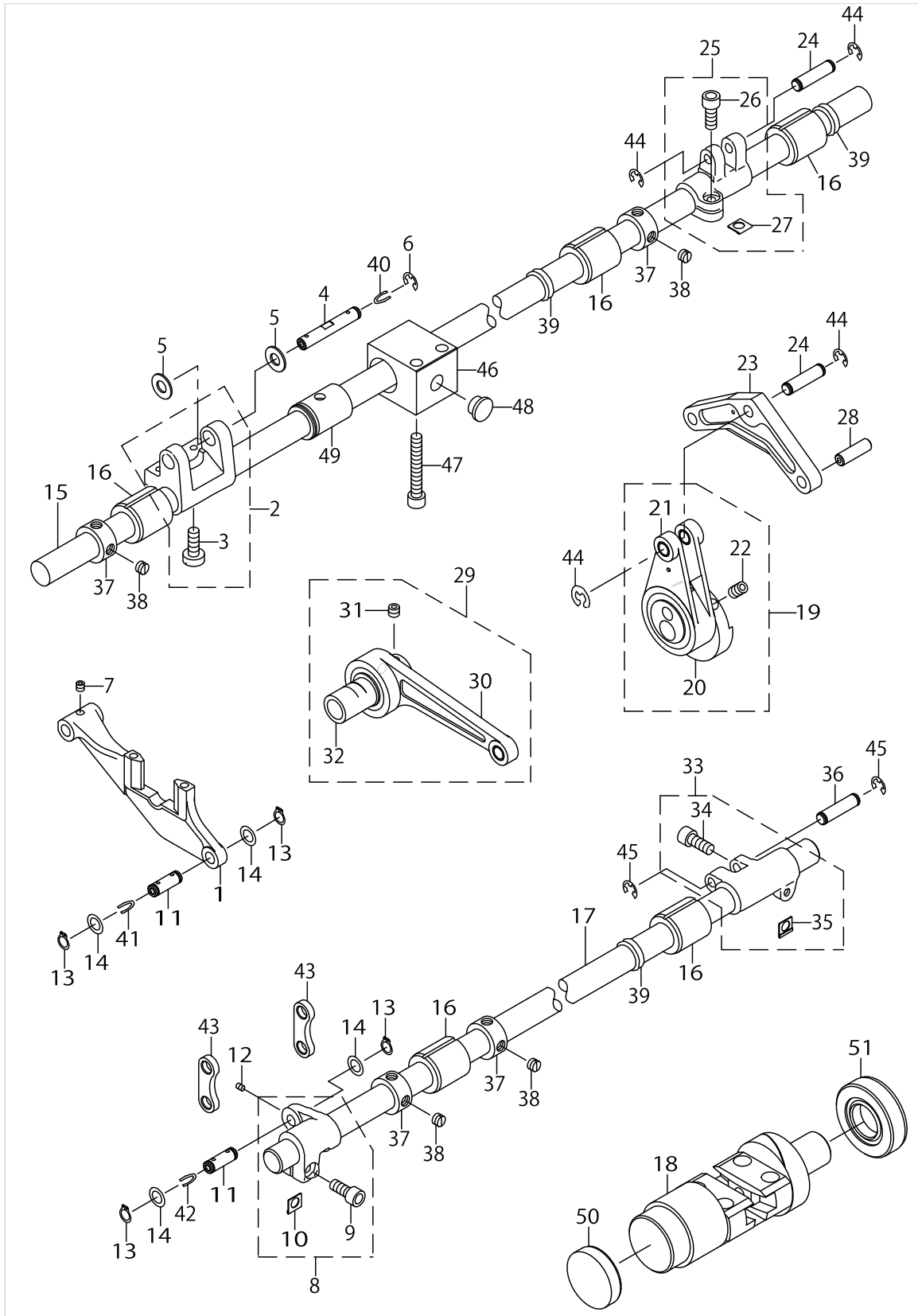
FEED ADJUSTMENT & REVERSE FEED MECHANISM COMPONENTS



FEED ADJUSTMENT & REVERSE FEED MECHANISM COMPONENTS

No.	Parts No.	Parts name	Remarks	Level	Cons	Qty
1	40052255	FEED ADJUSTING ECCENTRIC PIN				1
2	23155500	ADJUSTING CHANGE ARM				1
3	SM6062502TP	SCREW M6 L=25				1
4	SS7620750SP	SCREW 3/16-32 L=6.5				1
5	10720555	ADJUSTING ARM ASM.				1
6	SS7121610SP	SCREW 3/16-28 L=15.5		*		1
7	10720407	ADJUSTING CONNECTION RING				1
8	10725307	ADJUSTING CONNECTION RING PIN				1
9	10721504	FEED ADJUSTING PIN				1
10	SS7110810SP	SCREW 11/64-40 L=8.0				1
11	PS0400322KP	SPRING PIN 4.0X32				1
12	40052241	FEED ADJUSTING BASE A				1
13	10720605	ADJUSTING BELT				1
14	22949101	ROLLER FULCRUM SHAFT				1
15	RE0400000K0	E-RING 4				2
16	10721306	CHANGE SPRING				1
17	26017400	SPRING RAC				1
18	23155955	ADJUSTMENT DIAL ASM.	FOR LU-2266N-7			1
19	10721009	ADJUSTING DIAL SCREW				1
20	RO118240100	O-RING				1
21	BT0600402EA	OIL TUBE				0.1
22	CS1201011SH	THRUST COLLAR D=12 W=10				1
23	10722007	PULLING SPRING				1
24	10744308	ADJUSTMENT DIAL				1
25	10733509	SPRING RACK HOOK				1
26	SM8060602TP	SCREW M6X6				1
27	SS7110910SP	SCREW 11/64-40 L=8.5				4
28	SS6121860SP	SCREW 3/16-28 L=18				1
29	SS8660610TP	SCREW 1/4-40 L=6				2
30	SS7121610SP	SCREW 3/16-28 L=15.5				1
31	10718401	DIAL PIN				1
32	B1148141H00	SPRING				1
33	40052267	BACKWARD FEED LEVER				1
34	10721207	BACKWARD FEED CONNECTION ARM				1
35	23155401	BACKWARD FEED LEVER SHAFT				1
36	40023289	SPRING SUSPENSION				2
37	D2515232D00	TORSION SPRING				1
38	10119907	CUSHION				1
39	B1114280000	PIN				1

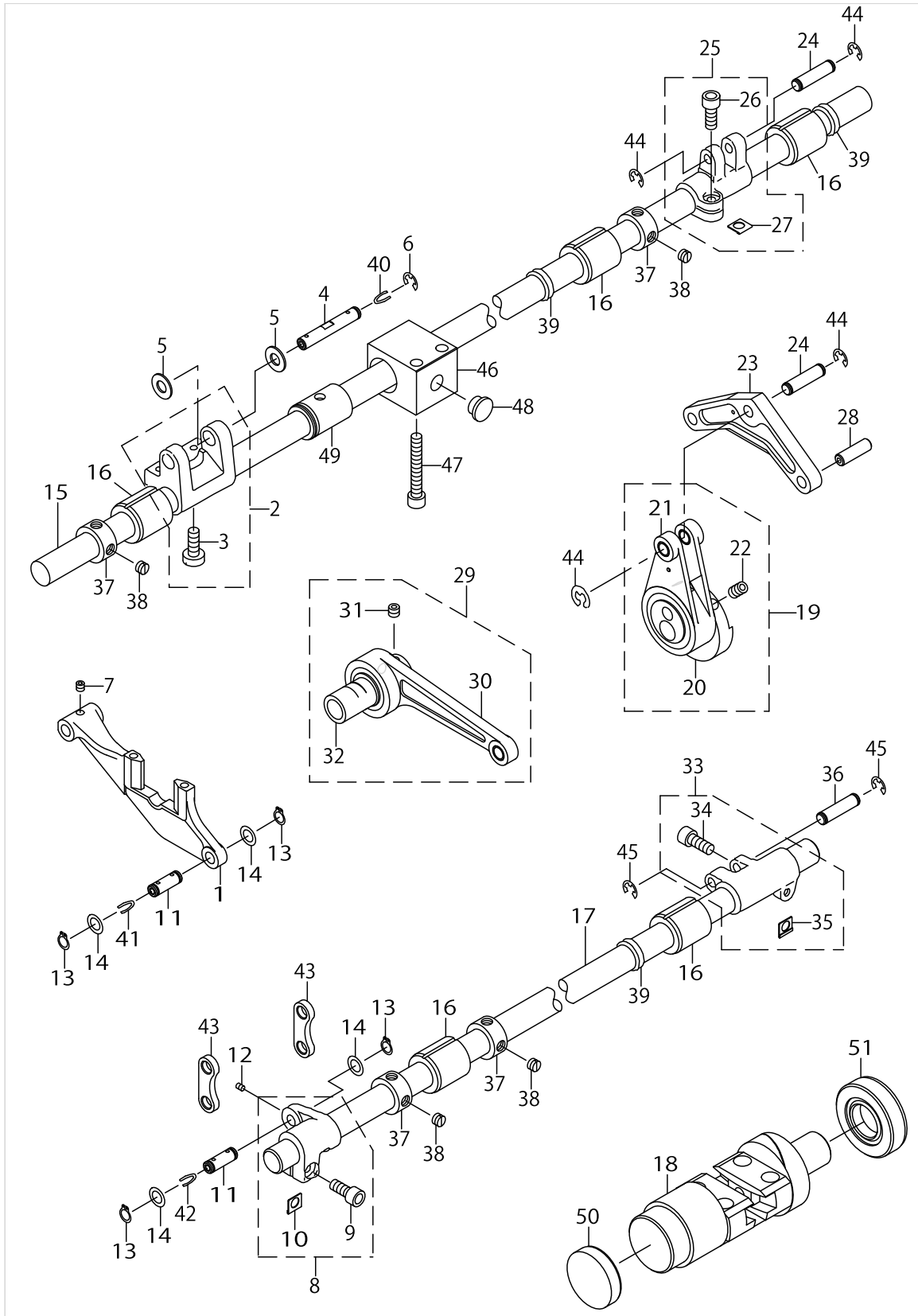
LOWER FEED MECHANISM COMPONENTS



LOWER FEED MECHANISM COMPONENTS

No.	Parts No.	Parts name	Remarks	Level	Cons	Qty
1	10717502	FEED BASE				1
2	10717668	FEED BASE ARM ASM.				1
3	SM6061650TP	SCREW		*		2
4	40052258	FEED BASE SHAFT				1
5	10746709	WASHER				2
6	RE0500000K0	E-RING				1
7	SS8110422TP	SCREW 11/64-40 L=4				1
8	10718658	VERTICAL FEED ARM ASM.				1
9	SS6151412TP	SCREW 15/64-28 L=14		*		1
10	10710903	SPACER A		*		1
11	10718906	VERTICAL FEED LINK SHAFT				2
12	SM8030402TP	SCREW M3X0.5 L=4				1
13	RC0650811KP	RETAINING RING				4
14	WP0740516SP	WASHER 7.4X11.8X0.5				4
15	23155005	HORIZONTAL FEED SHAFT				1
16	10718203	FEED SHAFT FRONT METAL				5
17	23155708	VERTICAL FEED SHAFT				1
18	10719052	FEED CHANGE BELT ASM.				1
19	10719664	HORIZONTAL FEED ROD				1
20	10719201	HORIZONTAL FEED CAM		*		1
21	10719656	HORIZONTAL FEED ROD ASM.		*		1
22	SS8661012TP	SCREW		*		2
23	10719300	BELL CRANK				1
24	10718005	FEED ARM SHAFT				2
25	10718153	FEED SHAFT ARM ASM.				1
26	SM6061552TP	SCREW M6 L=15		*		1
27	10710903	SPACER A		*		1
28	10719508	ADJUSTING BLOCK SHAFT				1
29	10719961	VERTICAL FEED ROD ASM.				1
30	10719953	VERTICAL FEED ROD COMPL.		*		1
31	SM8060552TP	SCREW M6 L=5		*		2
32	10720001	VERTICAL FEED CAM		*		1
33	10718153	FEED SHAFT ARM ASM.				1
34	SM6061552TP	SCREW M6 L=15		*		1
35	10710903	SPACER A		*		1
36	10718005	FEED ARM SHAFT				1
37	CS1501011TH	THRUST COLLAR				4
38	SS8660410SP	SCREW 1/4-40 L=4.2				8
39	13707500	OIL SEAL				3
40	CQ202000000	OIL WICK				0.1
41	CQ202000000	OIL WICK				0.1
42	CQ202000000	OIL WICK				0.1
43	10718500	VERTICAL LINK				2
44	RE0500000K0	E-RING				4
45	RE0500000K0	E-RING				2
46	23155104	HORIZONTAL SHAFT INNER METAL				1
47	SM6064002TP	SCREW M6 L=40				2

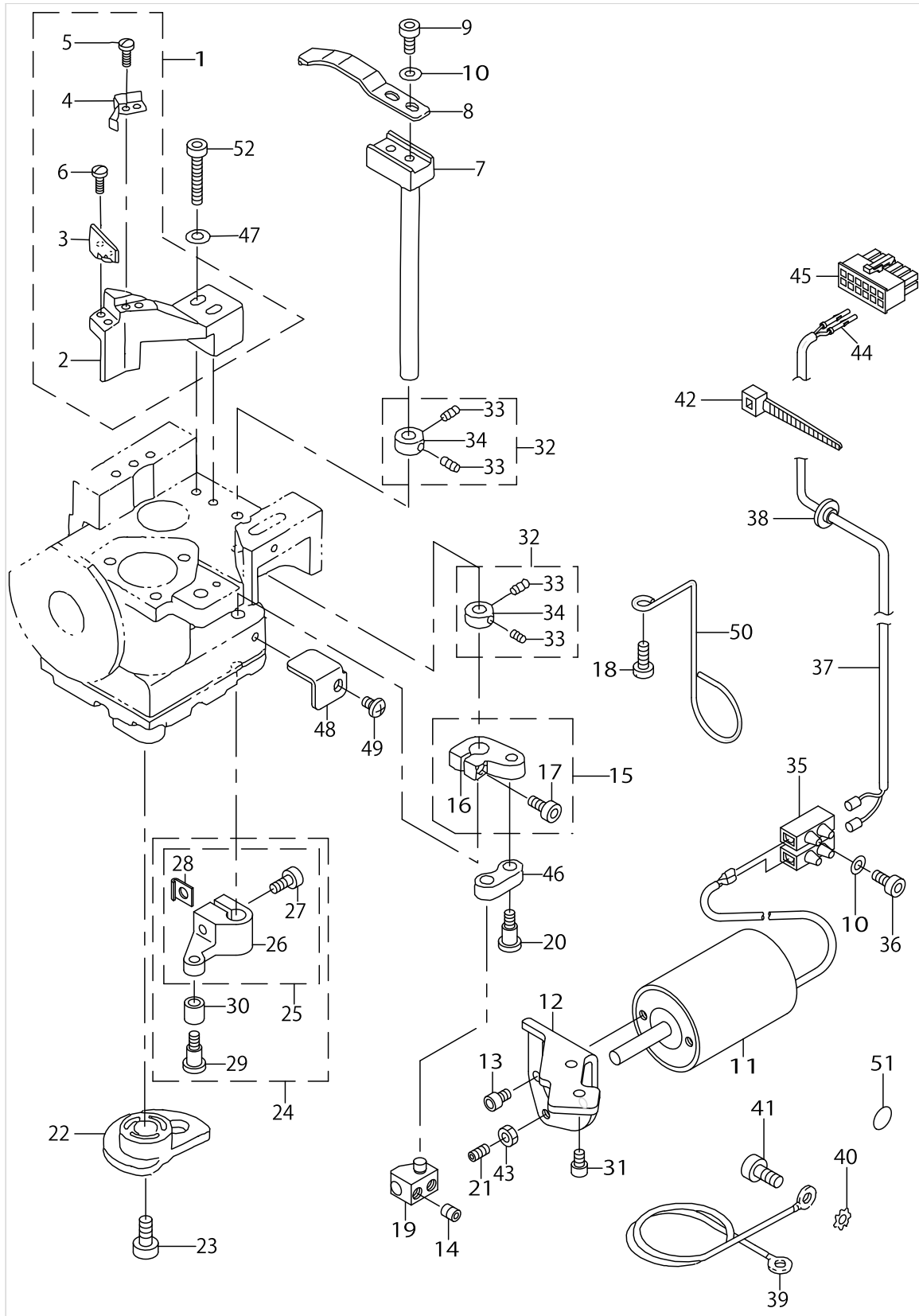
LOWER FEED MECHANISM COMPONENTS



LOWER FEED MECHANISM COMPONENTS

No.	Parts No.	Parts name	Remarks	Level	Cons	Qty
48	TA1050504R0	RUBBER PLUG				1
49	23155203	HORIZONTAL SHAFT METAL				1
50	10719706	CHANGE BELT OIL SEAL A				1
51	10719805	CHANGE BELT OIL SEAL B				1

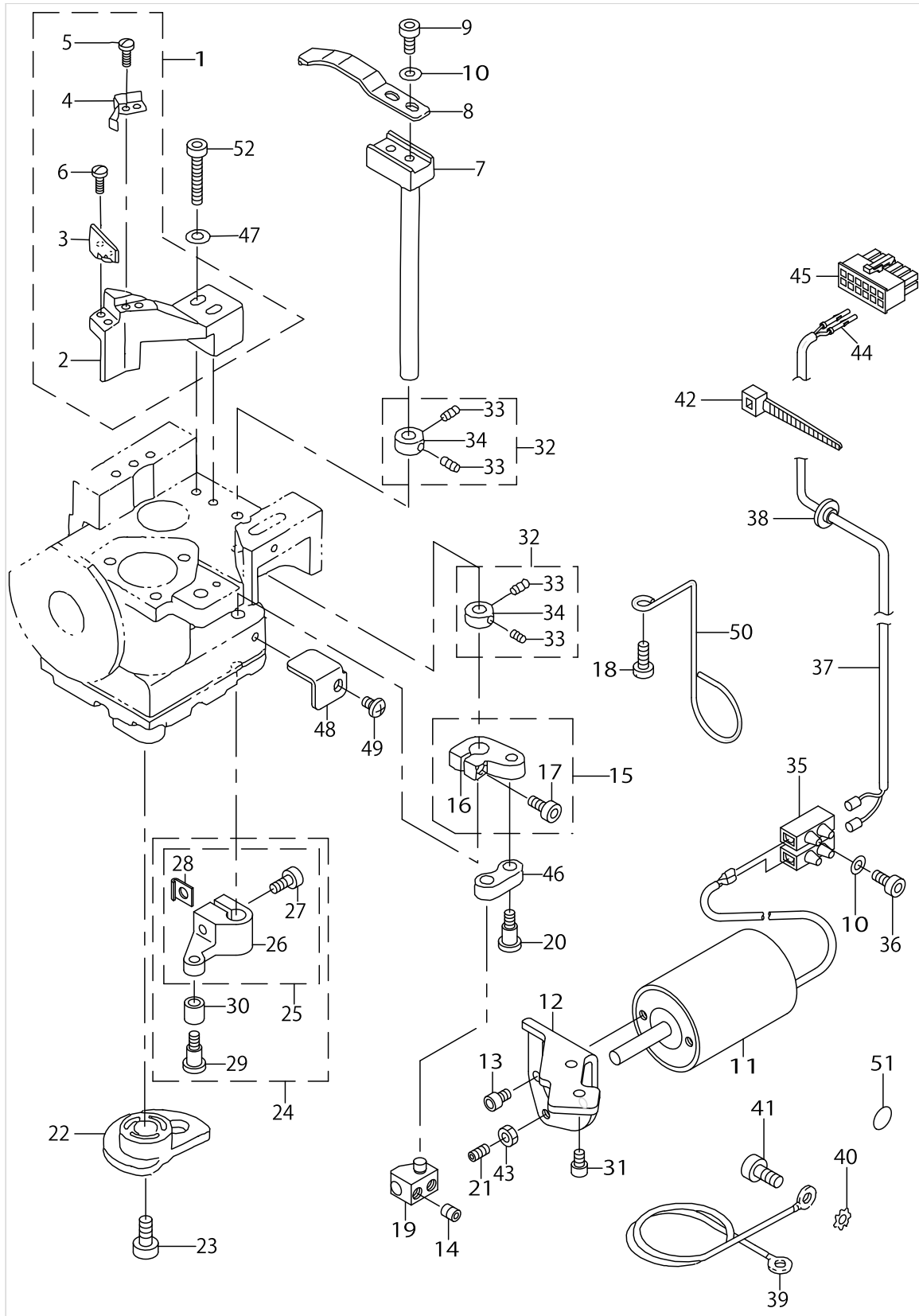
RIGHT HOOK SHAFT BASE THREAD TRIMMER COMPONENTS



RIGHT HOOK SHAFT BASE THREAD TRIMMER COMPONENTS

No.	Parts No.	Parts name	Remarks	Level	Cons	Qty
1	10726552	FIXED KNIFE BASE ASM.				1
2	10726503	FIXED KNIFE BASE		*		1
3	10726404	FIXED KNIFE		*		1
4	10726909	CLAMP SPRING		*		1
5	SS7060610SP	SCREW 3/32-56 L=5.5		*		2
6	SS7060610SP	SCREW 3/32-56 L=5.5		*		2
7	10726800	MOVING KNIFE SHAFT				1
8	10726305	MOVING KNIFE				1
9	SM6030802TP	SCREW M3X0.5 L=8				2
10	WP0320501SC	WASHER M3				3
11	10772804	THREAD CUTTING SOLENOID				1
12	10772309	SOLENOID FITTING PLATE RIGHT				1
13	SM6040602TP	SCREW M4 L=6				2
14	SM8050602TP	SCREW M5 L=6				2
15	10727857	DRIVING ARM B ASM.				1
16	10727808	DRIVING ARM B		*		1
17	SM6041202TP	SCREW M4X0.7 L=12		*		1
18	SS6111140SP	SCREW 11/64-40 L=11				1
19	10754505	THREAD CUTTING SOLENOID ARM				1
20	SD0500481TP	HINGE SCREW D=5 H=4.8				1
21	SM8040802TP	SCREW M4X8				1
22	10727709	THREAD CUTTING CAM				1
23	SM6041202TP	SCREW M4X0.7 L=12				3
24	10728160	DRIVING ARM A COMPL.				1
25	10728152	DRIVING ARM A ASM.		*		1
26	10728103	DRIVING ARM A		*		1
27	SM6051402TP	SCREW M5X0.8 L=14		*		1
28	10711406	SPACER B		*		1
29	SD0500721SP	HINGE SCREW D=5 H=7.2		*		1
30	B3031141H00	CONNECTING STUD		*		1
31	SM6040602TP	SCREW M4 L=6				2
32	40101351	THRUST COLLAR ASM.				2
33	SS8110422TP	SCREW 11/64-40 L=4		*		2
34	22917009	THRUST COLLAR		*		1
35	10728301	TERMINAL BASE				1
36	SM6031202TP	SCREW M3X0.5 L=12				1
37	HW500140000	2-C CABLE				1
38	10732204	CORD BUSH				1
39	10741759	GROUND WIRE ASM.	FOR YU(HEAD WHEN DELIVERING ONLY.)			1
40	WT0530002KS	TOOTHED WASHER D=5.3				1
41	SS6111140SP	SCREW 11/64-40 L=11				1
42	EA9500B0200	CABLE BAND 150				1
43	NM6040001SC	NUT M4				1
44	HK03464000B	PIN CONTACT				2
45	HK034610120	HOUSING 12P				1
46	10727907	DRIVING LINK B				1

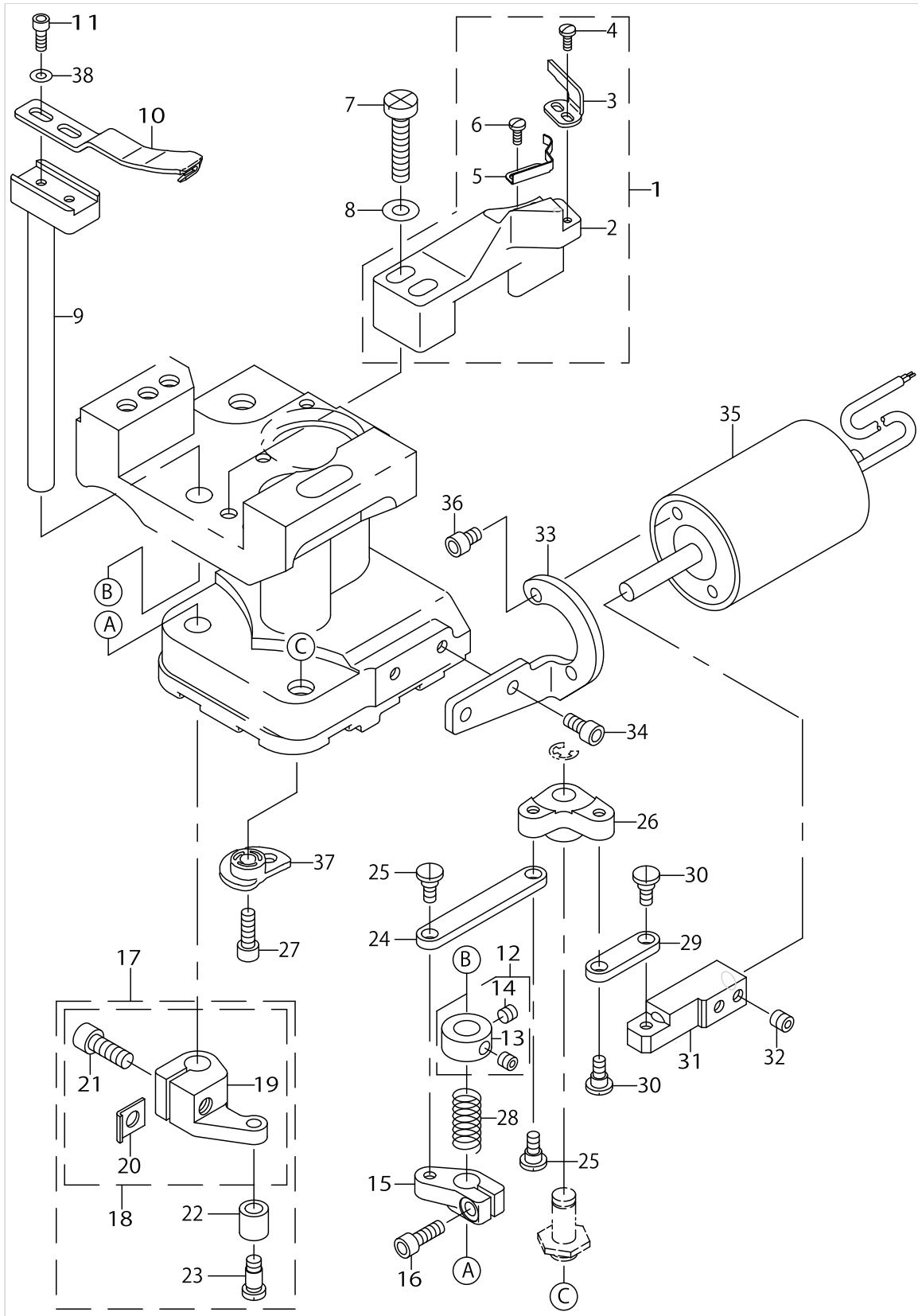
RIGHT HOOK SHAFT BASE THREAD TRIMMER COMPONENTS



RIGHT HOOK SHAFT BASE THREAD TRIMMER COMPONENTS

No.	Parts No.	Parts name	Remarks	Level	Cons	Qty
47	WP0520656SA	WASHER 5.2X9.5X0.6				2
48	10754604	SOLENOID ARM GUIDE PLATE				1
49	SM4040601SB	SCREW M4 L=6				1
50	23151509	CORD GUIDE				1
51	22901805	GROUND MARK				1
52	SM6052502TP	SCREW M5X0.8 L=25				2

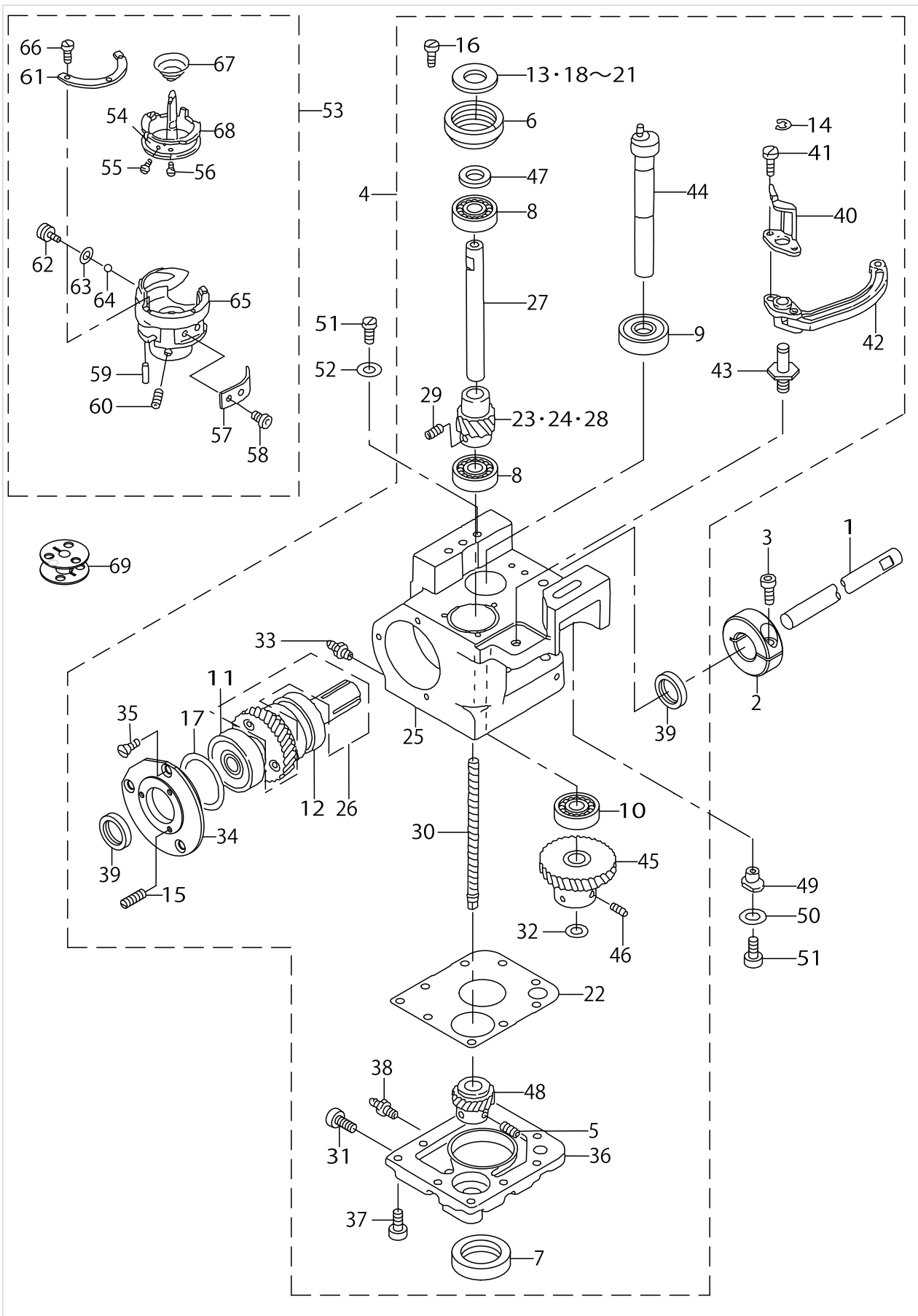
LEFT HOOK SHAFT BASE THREAD TRIMMER COMPONENTS(FOR LU-2266N-7)



LEFT HOOK SHAFT BASE THREAD TRIMMER COMPONENTS(FOR LU-2266N-7)

No.	Parts No.	Parts name	Remarks	Level	Cons	Qty
1	10726552	FIXED KNIFE BASE ASM.				2
2	10726503	FIXED KNIFE BASE		*		1
3	10726404	FIXED KNIFE		*		1
4	SS7060610SP	SCREW 3/32-56 L=5.5		*		2
5	10726909	CLAMP SPRING		*		1
6	SS7060610SP	SCREW 3/32-56 L=5.5		*		2
7	SM6052502TP	SCREW M5X0.8 L=25				2
8	WP0520656SA	WASHER 5.2X9.5X0.6				2
9	10726800	MOVING KNIFE SHAFT				1
10	10726305	MOVING KNIFE				1
11	SM6030802TP	SCREW M3X0.5 L=8				2
12	40101351	THRUST COLLAR ASM.				1
13	22917009	THRUST COLLAR		*		1
14	SS8110422TP	SCREW 11/64-40 L=4		*		2
15	10771806	DRIVING ARM C				1
16	SM6041202TP	SCREW M4X0.7 L=12				1
17	10728160	DRIVING ARM A COMPL.				1
18	10728152	DRIVING ARM A ASM.		*		1
19	10728103	DRIVING ARM A		*		1
20	10711406	SPACER B		*		1
21	SM6051402TP	SCREW M5X0.8 L=14		*		1
22	B3031141H00	CONNECTING STUD		*		1
23	SD0500721SP	HINGE SCREW D=5 H=7.2		*		1
24	10771905	DRIVING LINK A				1
25	SD0500301SP	HINGE SCREW D=5 H=3				2
26	10772507	DRIVING ARM E				1
27	SM6041202TP	SCREW M4X0.7 L=12				3
28	B2311019000	TENSION SPRING				1
29	10772002	DRIVING LINK B				1
30	SD0500301SP	HINGE SCREW D=5 H=3				2
31	10772101	SOLENOID ARM LEFT				1
32	SM8050502TP	SCREW M5 L=5				2
33	10772200	MAGNET FITTING BASE LEFT				1
34	SM6040802TP	SCREW M4X0.7 L=8				2
35	10772804	THREAD CUTTING SOLENOID				1
36	SM6040602TP	SCREW M4 L=6				2
37	10727709	THREAD CUTTING CAM				1
38	WP0320501SC	WASHER M3				2

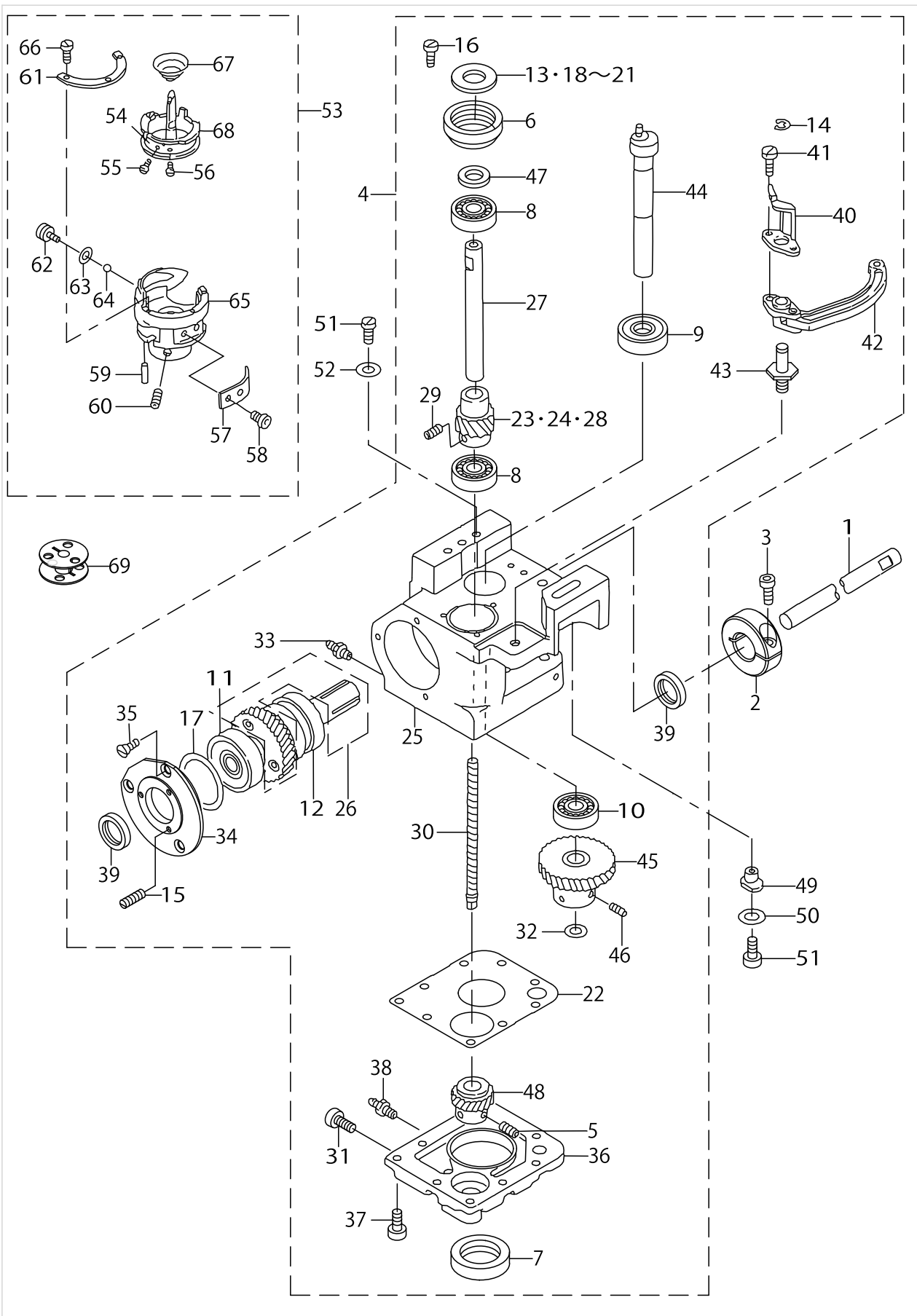
RIGHT HOOK SHAFT BASE & HOOK COMPONENTS



RIGHT HOOK SHAFT BASE & HOOK COMPONENTS

No.	Parts No.	Parts name	Remarks	Level	Cons	Qty
1	10722403	LOWER SHAFT B	FOR LU-2216N-7			1
2	40052253	SET COLLAR				1
3	SM6051402TP	SCREW M5X0.8 L=14				1
4	10770352	HOOK SHAFT BASE RIGHT ASM.				1
5	SM8050502TP	SCREW M5 L=5		*		2
6	10755601	BEARING COLLAR		*		1
7	10726107	OIL SEAL		*		1
8	B1215804000	BALL BEARING D		*		2
9	SB110000900	BEARING		*		1
10	SB110001000	BEARING		*		1
11	SB115000400	RADIAL BEARING		*		1
12	SB115000900	BEARING		*		2
13	10111201	THRUST WASHER F	SELECTIVE PARTS	*		1
14	RE0400000K0	E-RING 4		*		1
15	SS8080610SP	SCREW 1/8-44 L=5.5		*		3
16	SS6111140SP	SCREW 11/64-40 L=11		*		3
17	RO357350100	O-RING		*		1
18	10112605	THRUST WASHER 1.7	SELECTIVE PARTS	*		1
19	10112704	THRUST WASHER 1.8	SELECTIVE PARTS	*		1
20	10109809	THRUST WASHER B	SELECTIVE PARTS	*		1
21	10112506	THRUST WASHER 1.6	SELECTIVE PARTS	*		1
22	10770402	HOOK SHAFT BOTTOM PACKING		*		1
23	10739308	HOOK SHAFT SCREW GEAR	SELECTIVE PARTS	*		1
24	10739407	HOOK SHAFT SCREW GEAR	SELECTIVE PARTS	*		1
25	10770303	HOOK SHAFT BASE RIGHT		*		1
26	10722353	LOWER SHAFT A ASM.		*		1
27	10723708	HOOK SHAFT		*		1
28	10723807	SCREW GEAR	SELECTIVE PARTS	*		1
29	SM8050502TP	SCREW M5 L=5		*		2
30	10723906	LUBRICATING SHAFT		*		1
31	SM4030601SC	SCREW M3X6		*		1
32	RO098240100	RUBBER RING		*		1
33	SQ1150451MZ	CONNECTING SCREW		*		1
34	10724201	BEARING HOLDER		*		1
35	SS1110840SP	SCREW 11/64-40 L=8		*		3
36	10775302	HOOK SHAFT LOWER PLATE RIGHT		*		1
37	SM6041002TP	SCREW M4 L=10		*		9
38	SQ1150501SD	CONNECTING SCREW		*		1
39	10724805	OIL SEAL		*		2
40	10725000	OPENER		*		1
41	SS6080610TP	SCREW 1/8-44 L=6		*		2
42	10725158	OPENER ARM COMPL.		*		1
43	10770501	OPNER ARM SHAFT B		*		1
44	10725604	OPENER SHAFT		*		1
45	40063991	OPENER_SHAFT_SCREW_GEAR		*		1
46	SM8050502TP	SCREW M5 L=5		*		2
47	10724706	BEARING SPACER		*		1

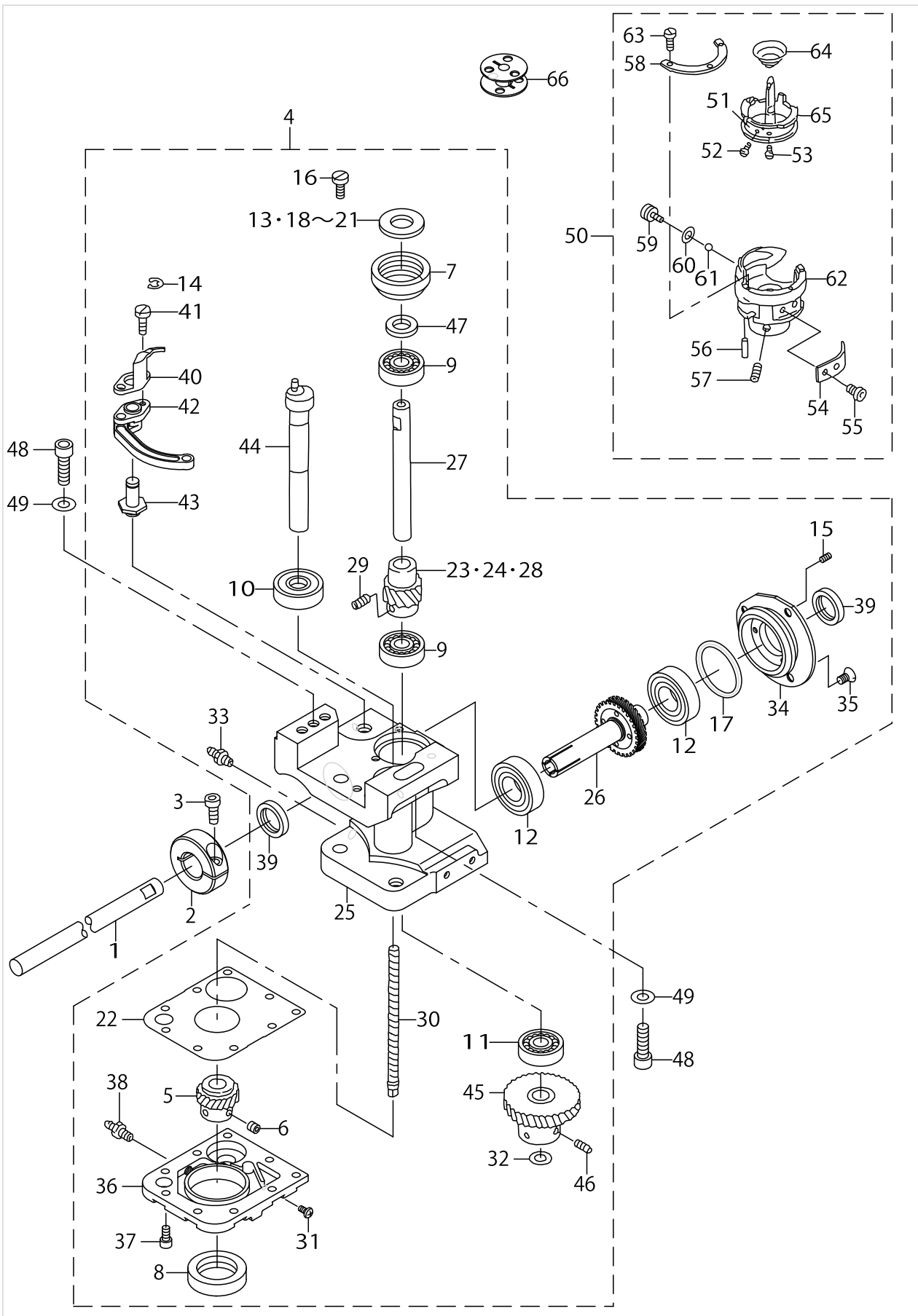
RIGHT HOOK SHAFT BASE & HOOK COMPONENTS



RIGHT HOOK SHAFT BASE & HOOK COMPONENTS

No.	Parts No.	Parts name	Remarks	Level	Cons	Qty
48	40063992	HOOK_SHAFT_SCREW_GEAR		*		1
49	40052244	HOOK SHAFT BASE ECCENTRIC PIN				1
50	WP0651056SH	WASHER 6.5X11X1				1
51	SM6062002TP	SCREW M6 L=20				2
52	WP0621016SH	WASHER				1
53	10761252	HOOK ASM.				1
54	10722908	TENSION SPRING		*		1
55	10723302	ADJUSTING SCREW		*		1
56	10723401	TENSION SPRING SETSCREW		*		1
57	10723013	NEEDLE HOLDER		*		1
58	10723203	NEEDLE HOLDER SETSCREW		*		2
59	10728509	FILTER		*		1
60	SM8050602TP	SCREW M5 L=6		*		2
61	10722809	INNER HOOK PRESSER		*		1
62	10722601	ADJUSTING SCREW		*		1
63	10728707	RUBBER RING		*		1
64	10728400	URETHAN BALL		*		1
65	10752418	OUTER HOOK		*		1
66	10723104	PRESSER SETSCREW		*		3
67	10723500	IDLING PREVENTION SPRING		*		1
68	10761203	INNER HOOK		*		1
69	10759603	ALUMINUM BOBBIN (DOUBLE-CUT)				1

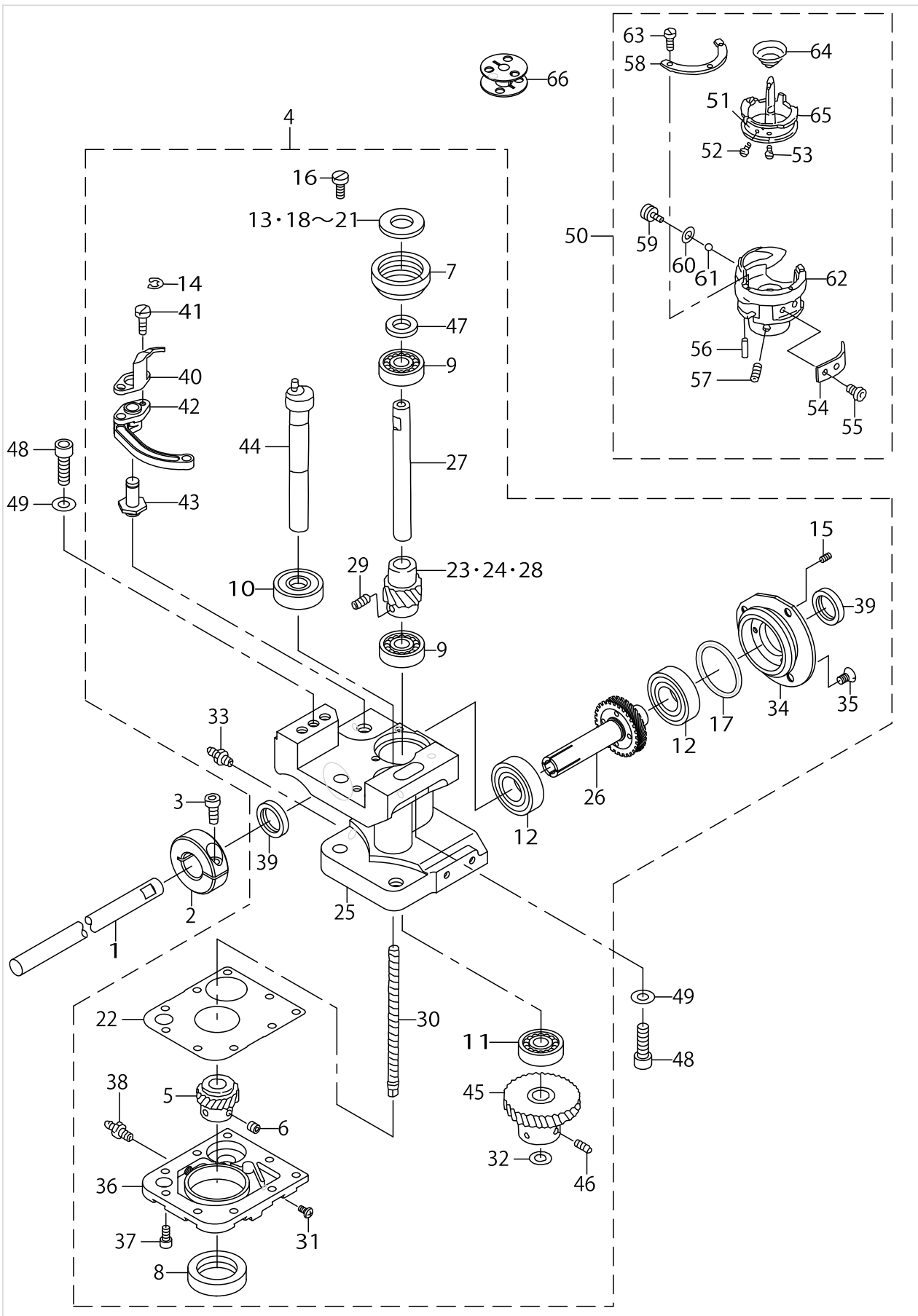
LEFT HOOK SHAFT BASE COMPONENTS(FOR LU-2266N-7)



LEFT HOOK SHAFT BASE COMPONENTS(FOR LU-2266N-7)

No.	Parts No.	Parts name	Remarks	Level	Cons	Qty
1	10772705	LOWER SHAFT C				1
2	40052253	SET COLLAR				1
3	SM6051402TP	SCREW M5X0.8 L=14				1
4	10771756	HOOK SHAFT BASE LEFT ASM.				1
5	40063992	HOOK_SHAFT_SCREW_GEAR		*		1
6	SM8050502TP	SCREW M5 L=5		*		2
7	10755601	BEARING COLLAR		*		1
8	10726107	OIL SEAL		*		1
9	B1215804000	BALL BEARING D		*		2
10	SB110000900	BEARING		*		1
11	SB110001000	BEARING		*		1
12	SB115000400	RADIAL BEARING		*		2
13	10111201	THRUST WASHER F	SELECTIVE PARTS	*		1
14	RE0400000K0	E-RING 4		*		1
15	SS8080610SP	SCREW 1/8-44 L=5.5		*		3
16	SS6111140SP	SCREW 11/64-40 L=11		*		3
17	RO357350100	O-RING		*		1
18	10112605	THRUST WASHER 1.7	SELECTIVE PARTS	*		1
19	10112704	THRUST WASHER 1.8	SELECTIVE PARTS	*		1
20	10109809	THRUST WASHER B	SELECTIVE PARTS	*		1
21	10112506	THRUST WASHER 1.6	SELECTIVE PARTS	*		1
22	10770402	HOOK SHAFT BOTTOM PACKING		*		1
23	10739308	HOOK SHAFT SCREW GEAR	SELECTIVE PARTS	*		1
24	10739407	HOOK SHAFT SCREW GEAR	SELECTIVE PARTS	*		1
25	10771707	HOOK SHAFT BASE LEFT		*		1
26	10722353	LOWER SHAFT A ASM.		*		1
27	10723708	HOOK SHAFT		*		1
28	10723807	SCREW GEAR		*		1
29	SM8050502TP	SCREW M5 L=5		*		2
30	10723906	LUBRICATING SHAFT		*		1
31	SM4030601SC	SCREW M3X6		*		1
32	RO098240100	RUBBER RING		*		1
33	SQ1150451MZ	CONNECTING SCREW		*		1
34	10724201	BEARING HOLDER		*		1
35	SS1110840SP	SCREW 11/64-40 L=8		*		3
36	10772408	HOOK SHAFT LOWER PLATE LEFT		*		1
37	SM6040802TP	SCREW M4X0.7 L=8		*		9
38	SQ1150501SD	CONNECTING SCREW		*		1
39	10724805	OIL SEAL		*		2
40	10725000	OPENER		*		1
41	SS6080610TP	SCREW 1/8-44 L=6		*		2
42	10725158	OPENER ARM COMPL.		*		1
43	10770501	OPNER ARM SHAFT B		*		1
44	10725604	OPENER SHAFT		*		1
45	40063991	OPENER_SHAFT_SCREW_GEAR		*		1
46	SM8050502TP	SCREW M5 L=5		*		2
47	10724706	BEARING SPACER		*		1

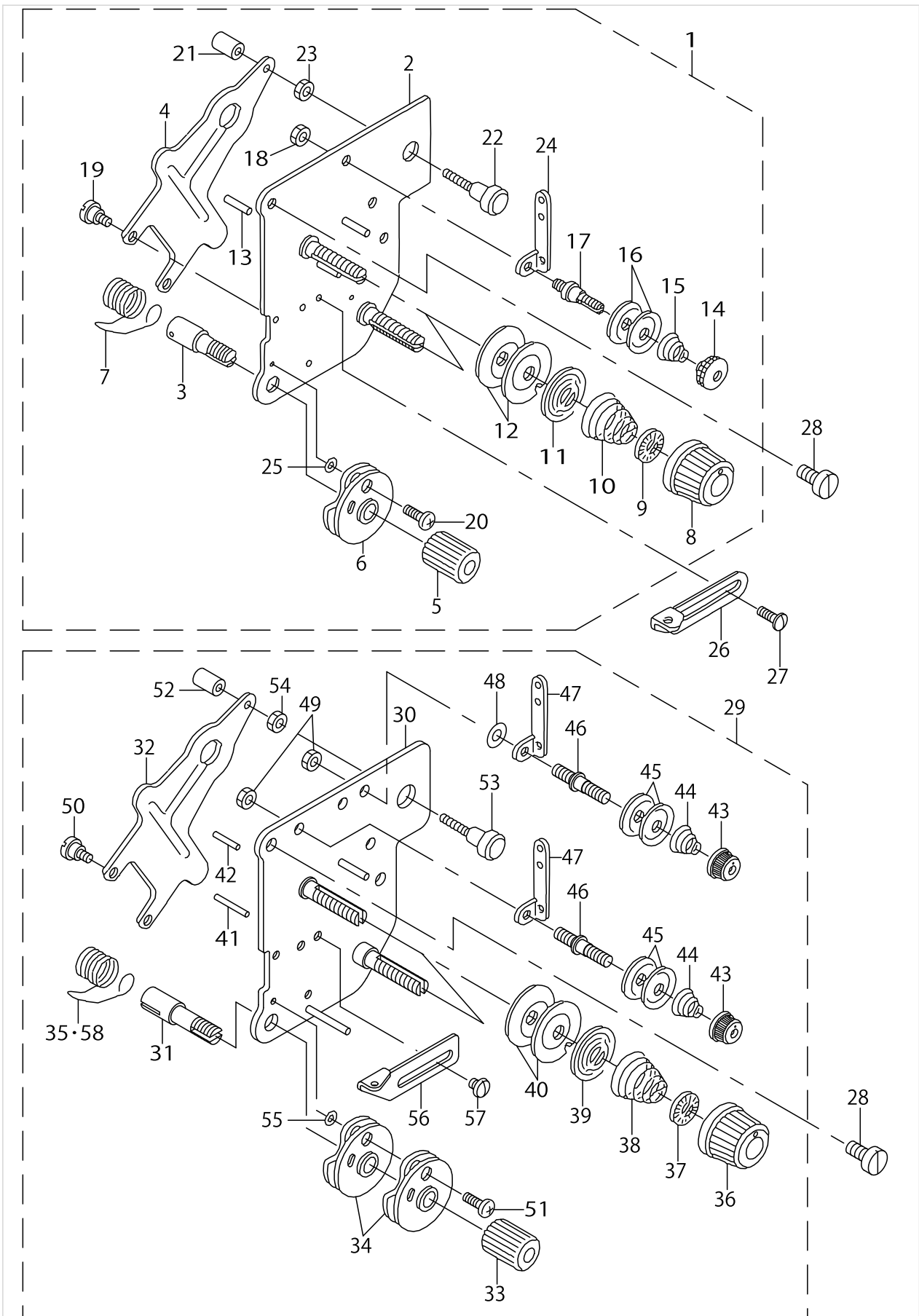
LEFT HOOK SHAFT BASE COMPONENTS(FOR LU-2266N-7)



LEFT HOOK SHAFT BASE COMPONENTS(FOR LU-2266N-7)

No.	Parts No.	Parts name	Remarks	Level	Cons	Qty
48	SM6062002TP	SCREW M6 L=20				2
49	WP0621016SH	WASHER				2
50	10761252	HOOK ASM.				2
51	10722908	TENSION SPRING		*		1
52	10723302	ADJUSTING SCREW		*		1
53	10723401	TENSION SPRING SETSCREW		*		1
54	10723013	NEEDLE HOLDER		*		1
55	10723203	NEEDLE HOLDER SETSCREW		*		2
56	10728509	FILTER		*		1
57	SM8050602TP	SCREW M5 L=6		*		2
58	10722809	INNER HOOK PRESSER		*		1
59	10722601	ADJUSTING SCREW		*		1
60	10728707	RUBBER RING		*		1
61	10728400	URETHAN BALL		*		1
62	10752418	OUTER HOOK		*		1
63	10723104	PRESSER SETSCREW		*		3
64	10723500	IDLING PREVENTION SPRING		*		1
65	10761203	INNER HOOK		*		1
66	10759603	ALUMINUM BOBBIN (DOUBLE-CUT)				1

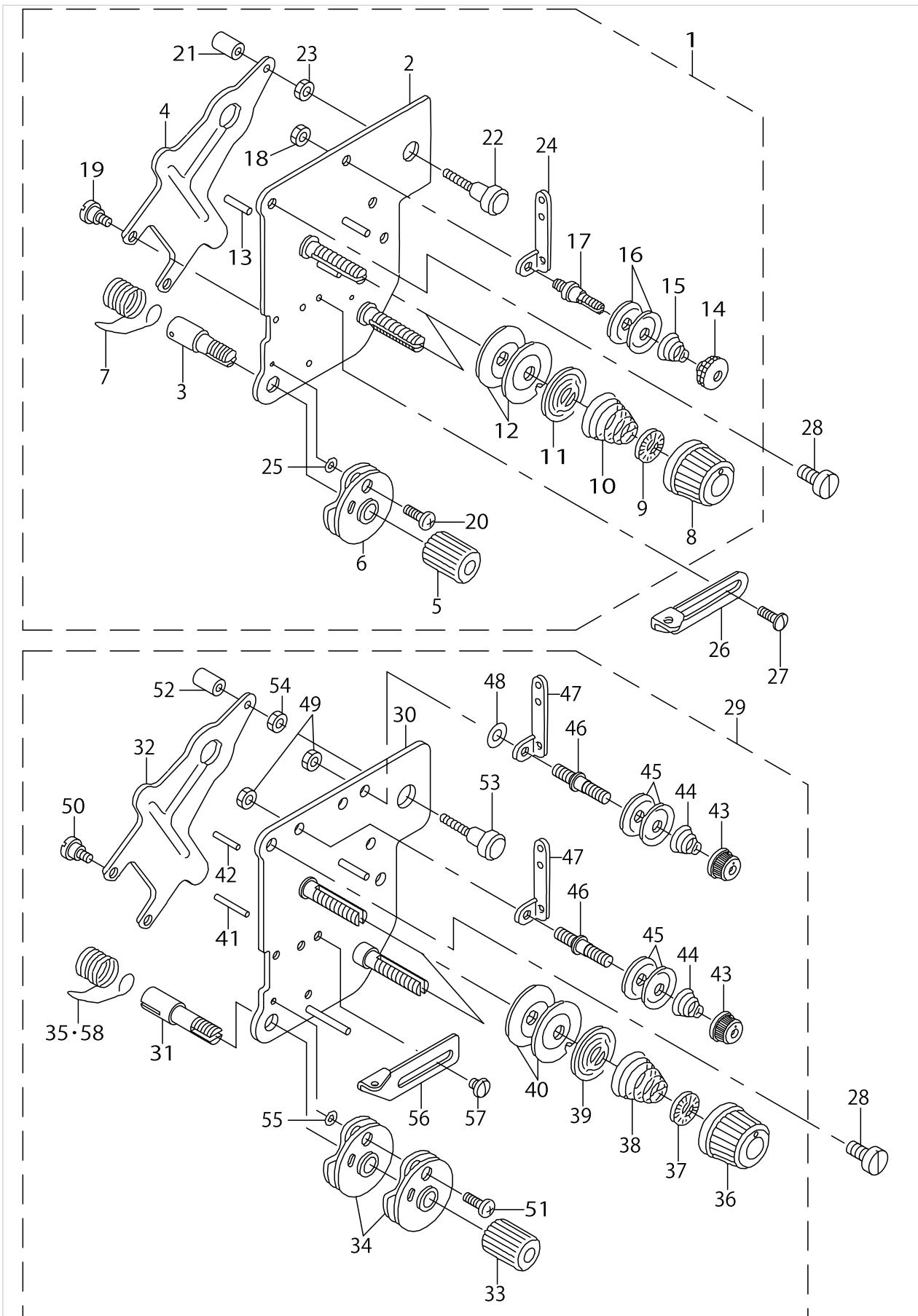
THREAD TENSION COMPONENTS



THREAD TENSION COMPONENTS

No.	Parts No.	Parts name	Remarks	Level	Cons	Qty
1	10702561	THREAD TENSION ASM.	FOR LU-2216N-7			1
2	10702553	THREAD TENSION JUNCTION		*		1
3	10320109	SCREW STUD		*		1
4	10702603	THREAD LOOSENING PLATE		*		1
5	10320208	THRED TENSION STUD NUT		*		1
6	10741452	THREAD TAKE-UP GUIDE ASM.		*		1
7	10702405	THREAD TAKE-UP SPRING		*		1
8	10744704	THREAD TENSION NUT		*		2
9	10744803	ROTATION AND STOP		*		2
10	B3129012A00	TENSION SPRING		*		2
11	10744902	THREAD TENSION PLATE SUPPERSSI		*		2
12	40113091	THREAD TENSION DISK		*		4
13	10741601	THREAD LOOSEN PIN		*		2
14	B3216047000	BOBBIN WINDER TENSION NUT		*		1
15	D3168555H0B	TENSION SPRING NO.1		*		1
16	10741106	FIRST THREAD TENSION PLATE		*		2
17	10703304	FIRST THREAD TENSION BAR		*		1
18	NS6110310SP	NUT 11/64-40		*		1
19	SD0470281SP	HINGE SCREW D=4.7 H=2.8		*		2
20	10741502	STOP SCREW		*		1
21	10702702	THREAD LOOSENING PIN		*		1
22	10702801	THREAD LOOSENING SCREW		*		1
23	NM6040003SC	NUT M4		*		1
24	10703205	FIRST THREAD TENSION GUIDE		*		1
25	WP0320501SC	WASHER M3		*		1
26	10703106	BALANCE THREAD GUIDE	FOR LU-2216N-7			1
27	SS5090420SP	SCREW 9/64-40 L=3.5	FOR LU-2216N-7			2
28	SS6121010SP	SCREW 3/16-28 L=10				2
29	10773364	THREAD TENSION ASM.	FOR LU-2266N-7			1
30	10773356	THREAD TENSION JUNCTION		*		1
31	10773505	SCREW STUD		*		1
32	10702603	THREAD LOOSENING PLATE		*		1
33	10320208	THRED TENSION STUD NUT		*		1
34	10741452	THREAD TAKE-UP GUIDE ASM.		*		2
35	B3128526000	THREAD TAKE-UP SPRING		*		1
36	10744704	THREAD TENSION NUT		*		2
37	10744803	ROTATION AND STOP		*		2
38	B3129053000	TENSION SPRING		*		2
39	B3132552000	THREAD TENSION DISK PRESSER		*		2
40	B3126012000	THREAD TENSION DISK		*		4
41	10773703	THREAD LOOSEN PIN RIGHT		*		1
42	10773802	THREAD LOOSEN PIN LEFT		*		1
43	11072402	THREAD TENSION NUT		*		2
44	11045101	THREAD TENSION SPRING		*		2
45	10741106	FIRST THREAD TENSION PLATE		*		4
46	10773406	FIRST THREAD TENSION BAR		*		2
47	10703205	FIRST THREAD TENSION GUIDE		*		2

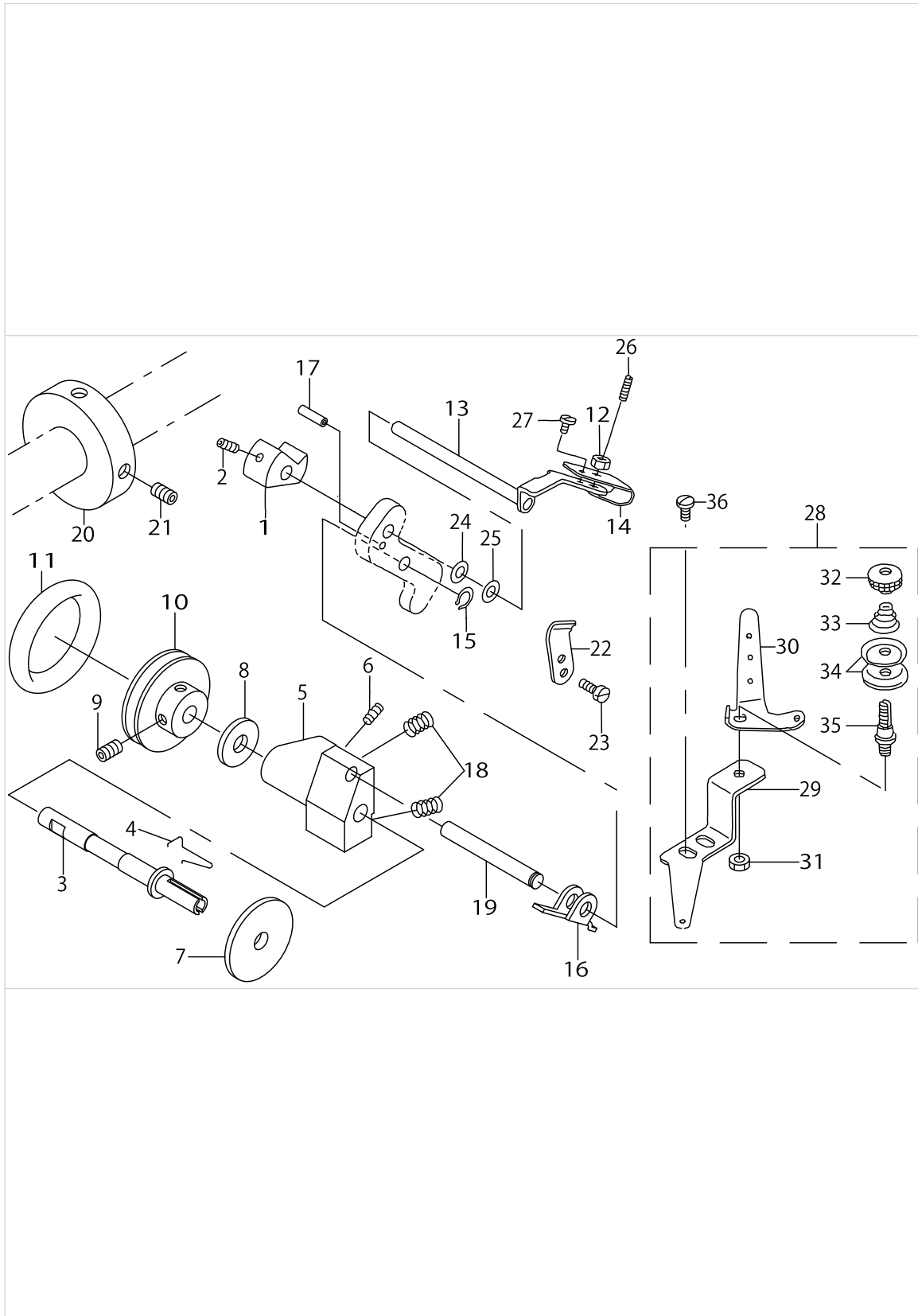
THREAD TENSION COMPONENTS



THREAD TENSION COMPONENTS

No.	Parts No.	Parts name	Remarks	Level	Cons	Qty
48	WP0482086SD	WASHER 4.8X11.5X2		*		1
49	NS6110310SP	NUT 11/64-40		*		2
50	SD0470281SP	HINGE SCREW D=4.7 H=2.8		*		2
51	SS3061310SP	SCREW 3/32-56 L=13		*		1
52	10702702	THREAD LOOSENING PIN		*		1
53	10702801	THREAD LOOSENING SCREW		*		1
54	NM6040003SC	NUT M4		*		1
55	WP0320501SC	WASHER M3		*		1
56	10773109	BALANCE THREAD GUIDE		*		1
57	SS5090420SP	SCREW 9/64-40 L=3.5		*		2
58	10775401	THREAD TAKE-UP SPRING A	OPTIONAL PARTS	*		1

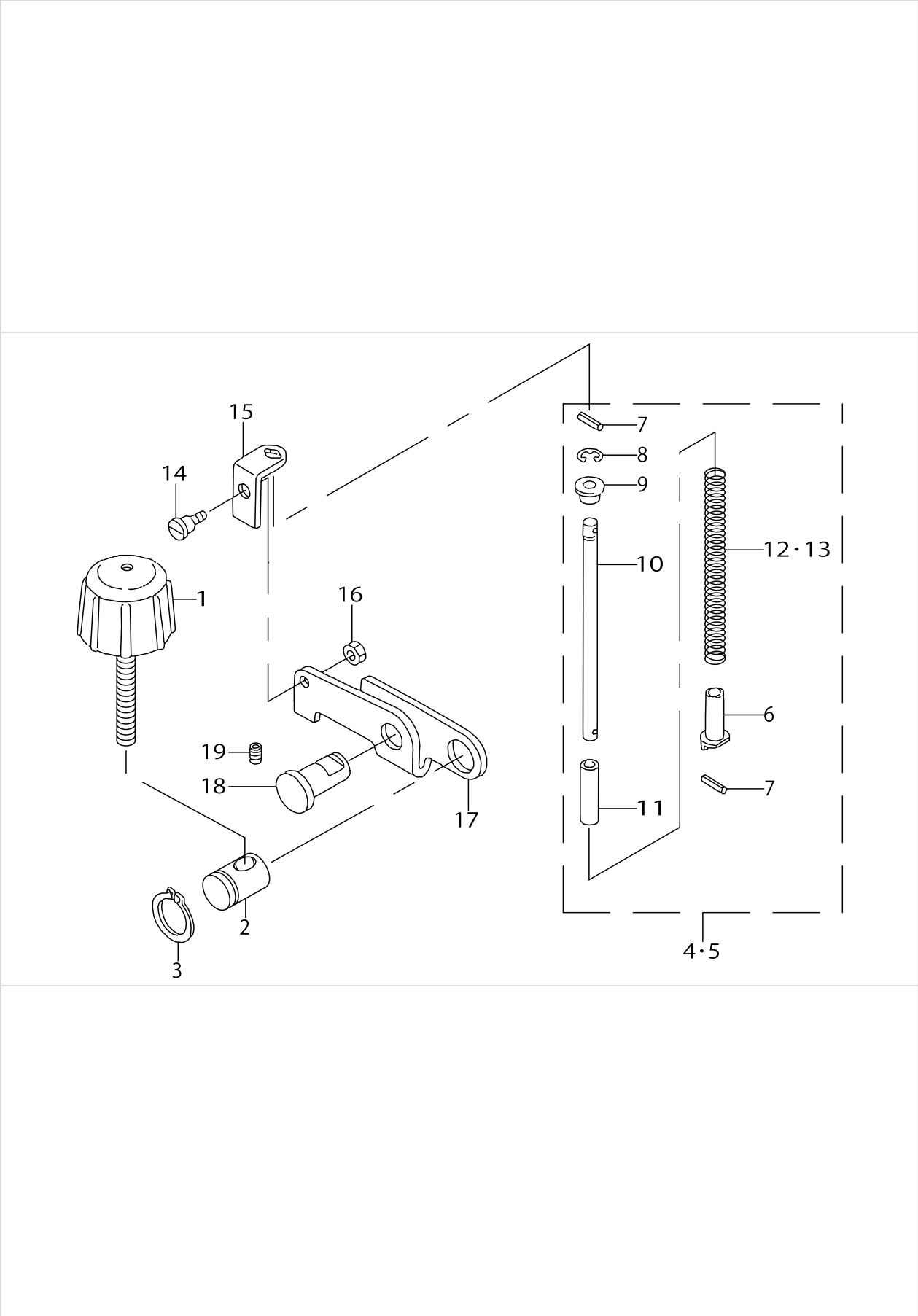
LOWER THREAD WINDER MECHANISM COMPONENTS



LOWER THREAD WINDER MECHANISM COMPONENTS

No.	Parts No.	Parts name	Remarks	Level	Cons	Qty
1	10703502	BOBBIN CUM				1
2	SM8040602TP	SCREW M4X0.7 L=6				1
3	10703601	BOBBIN SHAFT				1
4	10703700	BOBBIN SPRING				1
5	10703908	BOBBIN SHAFT BASE				1
6	SM8040602TP	SCREW M4X0.7 L=6				1
7	B3205210000	CUSHION				1
8	WP0651056SH	WASHER 6.5X11X1				1
9	SS7110810SP	SCREW 11/64-40 L=8.0				2
10	B3211210000	BOBBIN WINDER WHEEL				1
11	B3212210000	FRICITION WHEEL				1
12	NS6110360SP	NUT				1
13	10703452	BOBBIN PRESSER ASM.				1
14	10703809	BOBBIN PRESSER SPRING				1
15	D2430555B00	SNAP RING				1
16	B3207210000	TRIP LATCH				1
17	PS0200102KH	SPRING PIN 2.0X10				1
18	B3208210000	SPRING A				2
19	10704005	BOBBIN SHAFT BASE SHAFT				1
20	10704807	BOBBIN FRICTION WHEEL				1
21	SM8050602TP	SCREW M5 L=6				2
22	10502300	THREAD CUTTER				1
23	SS6090620SP	SCREW 9/64-40 L=6				2
24	WP0531001SC	WASHER				1
25	WP0520656SA	WASHER 5.2X9.5X0.6				1
26	SS8111610SP	SCREW 11/64-40 L=15.5				1
27	SS7110340SP	SCREW 11/64-40 L=3.2				1
28	10704153	BOBBIN THREAD GUIDE PLATE ASM.				1
29	10704104	BOBBIN THREAD GUIDE PLATE		*		1
30	10088003	THREAD GUIDE		*		1
31	NS6110310SP	NUT 11/64-40		*		1
32	B3216047000	BOBBIN WINDER TENSION NUT		*		1
33	D3168555H0B	TENSION SPRING NO.1		*		1
34	40113092	THREAD TENSION DISK		*		2
35	10124204	THREAD TENSION POST A		*		1
36	SS7621040SP	SCREW 3/16-32 L=9.5				2

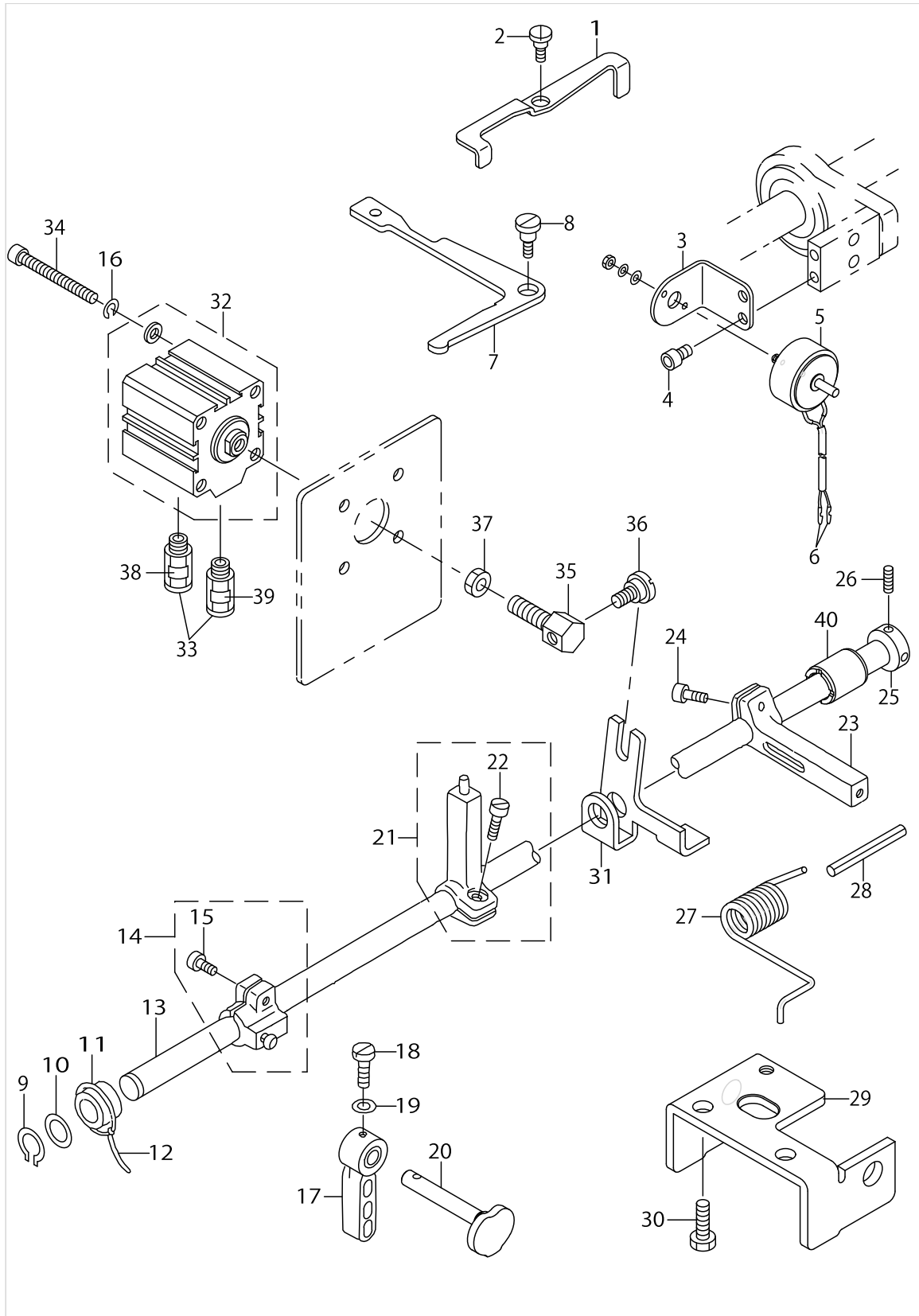
PRESSURE ADJUSTING COMPONENTS



PRESSURE ADJUSTING COMPONENTS

No.	Parts No.	Parts name	Remarks	Level	Cons	Qty
1	10743300	ADJUSTMENT DIAL				1
2	10716009	ADJUSTING HINGE PIN				1
3	RC1200001KP	C-SHAPED SNAP RING				1
4	40064240	ADJUSTMENT_SPRING_ASM.				1
5	10718351	ADJUSTMENT SPRING ASM.	OPTIONAL PARTS			1
6	10715605	SPRING RECEIVING LOWER		*		1
7	PS0300082KH	SPRING PIN 3X8		*		2
8	RE0500000K0	E-RING		*		1
9	10715506	SPRING RECEIVING UPPER		*		1
10	40052260	ADJUSTING SPRING SHAFT		*		1
11	BP600000000	VINYL PIPE		*		0.1
12	10715902	ADJUSTMENT SPRING 1.8		*		1
13	10718302	ADJUSTMENT SPRING 1.4	OPTIONAL PARTS	*		1
14	SD0700332SP	HINGE SCREW D=7 H=3.5				1
15	10716603	ADJUSTING SPRING SUPPORT				1
16	NS6150430SP	NUT 15/64-28				1
17	10716108	ADJUSTING ARM				1
18	10716207	ADJUSTING ARM SHAFT				1
19	SS8120740SP	SCREW 3/16-28 L=7				1

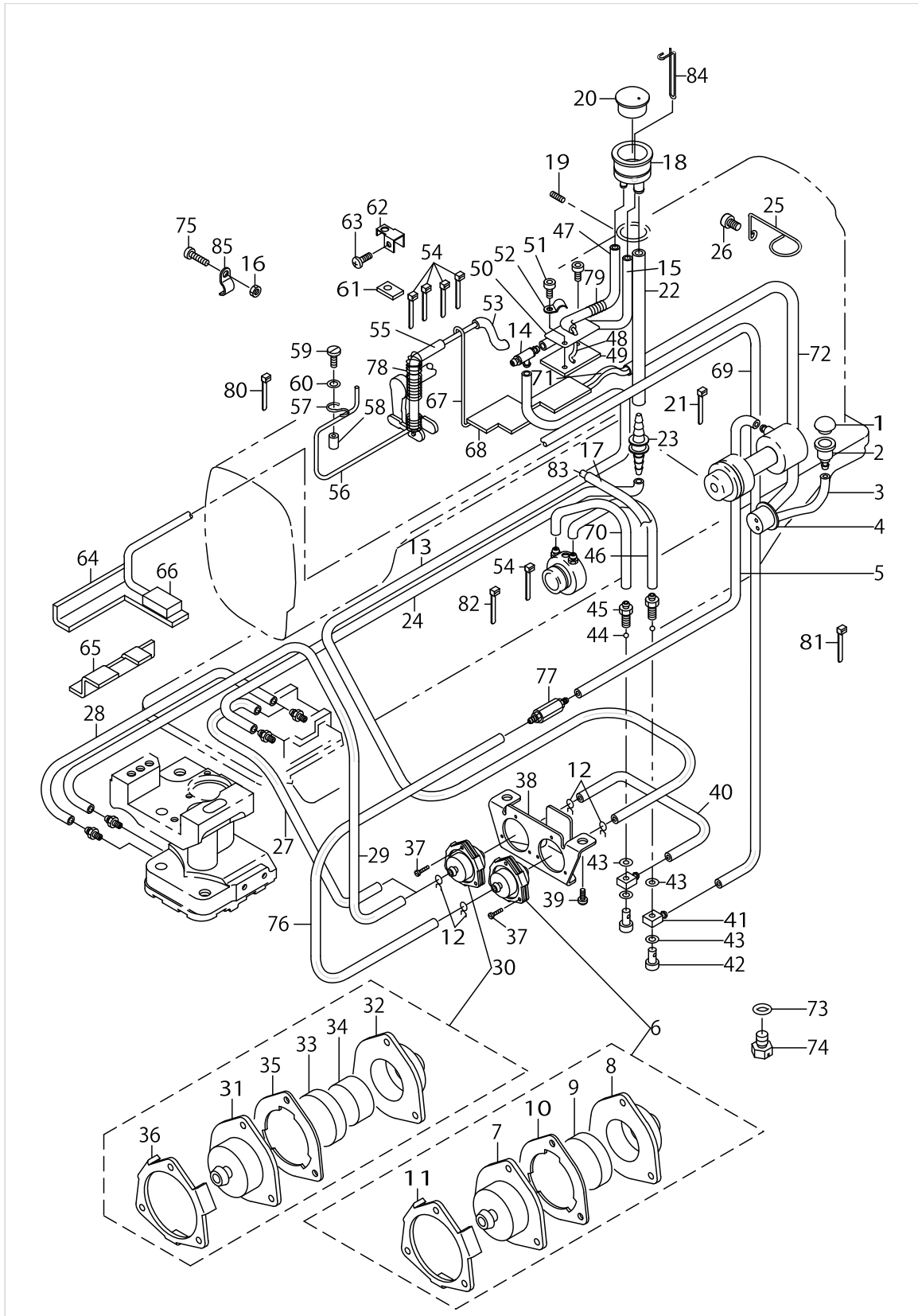
PRESSER LIFTER,AUTOMATIC PRESSER LIFTER & TENSION RELEASE MECHANISM COMPONENTS



PRESSER LIFTER,AUTOMATIC PRESSER LIFTER & TENSION RELEASE MECHANISM COMPONENTS

No.	Parts No.	Parts name	Remarks	Level	Cons	Qty
1	10729010	THREAD LOOSENING ARM				1
2	SD0790203SP	HINGE SCREW D=7.94 H=2				1
3	23157506	SOLENOID FITTING PLATE				1
4	SM6050802TP	SCREW M5X0.7 L=8				2
5	23157605	THREAD LOOSENING SOLENOID				1
6	HK03464000B	PIN CONTACT				2
7	10728806	THREAD LOOSENING LEVER				1
8	SD0901201TP	HINGE SCREW D=9 H=3.2				1
9	RC1200001KP	C-SHAPED SNAP RING				1
10	WP1221016SP	WASHER				1
11	40052264	KNEE LIFT SHAFT FRONT METAL				1
12	CQ200000000	OIL WICK				0.2
13	23156904	KNEE LIFT SHAFT				1
14	10729754	PRESSER LIFT ARM ASM.				1
15	SM6051402TP	SCREW M5X0.8 L=14		*		1
16	WS0510002KN	SPRING WASHER				4
17	22907802	HAND LIFTER				1
18	SS7090910TP	SCREW 9/64-40 L=8.5				1
19	WP0371016SD	WASHER 3.7X8X1				1
20	10729606	PRESSER LIFT CAM				1
21	10729952	THREAD LOOSENING ARM ASM.				1
22	SM6061210SC	SCREW M6 L=12		*		1
23	10730109	KNEE LIFT ARM A				1
24	SM6061202TP	SCREW M6 L=12				1
25	CS1201011SH	THRUST COLLAR D=12 W=10				1
26	SS8660610TP	SCREW 1/4-40 L=6				2
27	10755502	KNEE LIFTER SPRING				1
28	PS0500452KP	SPRING PIN				1
29	10730703	KNEE SIDE SHAFT HOLDER				1
30	SM9081050SE	SCREW				2
31	10736908	PRESSER LIFT LEVER				1
32	PA400200200	AIR CYLINDER				1
33	PJ301065104	HALF UNION				2
34	SM6054502TP	SCREW M5X0.8 L=45				4
35	40052259	CYLINDER CONNECTION SCREW				1
36	SD0720331SP	HINGE SCREW D=7.24 H=3.3				1
37	NM6080001SE	NUT M8				1
38	HX00295000B	WIRE MARK(3)				1
39	HX00295000A	WIRE MARK(2)				1
40	13110101	BUSHING REAR				1

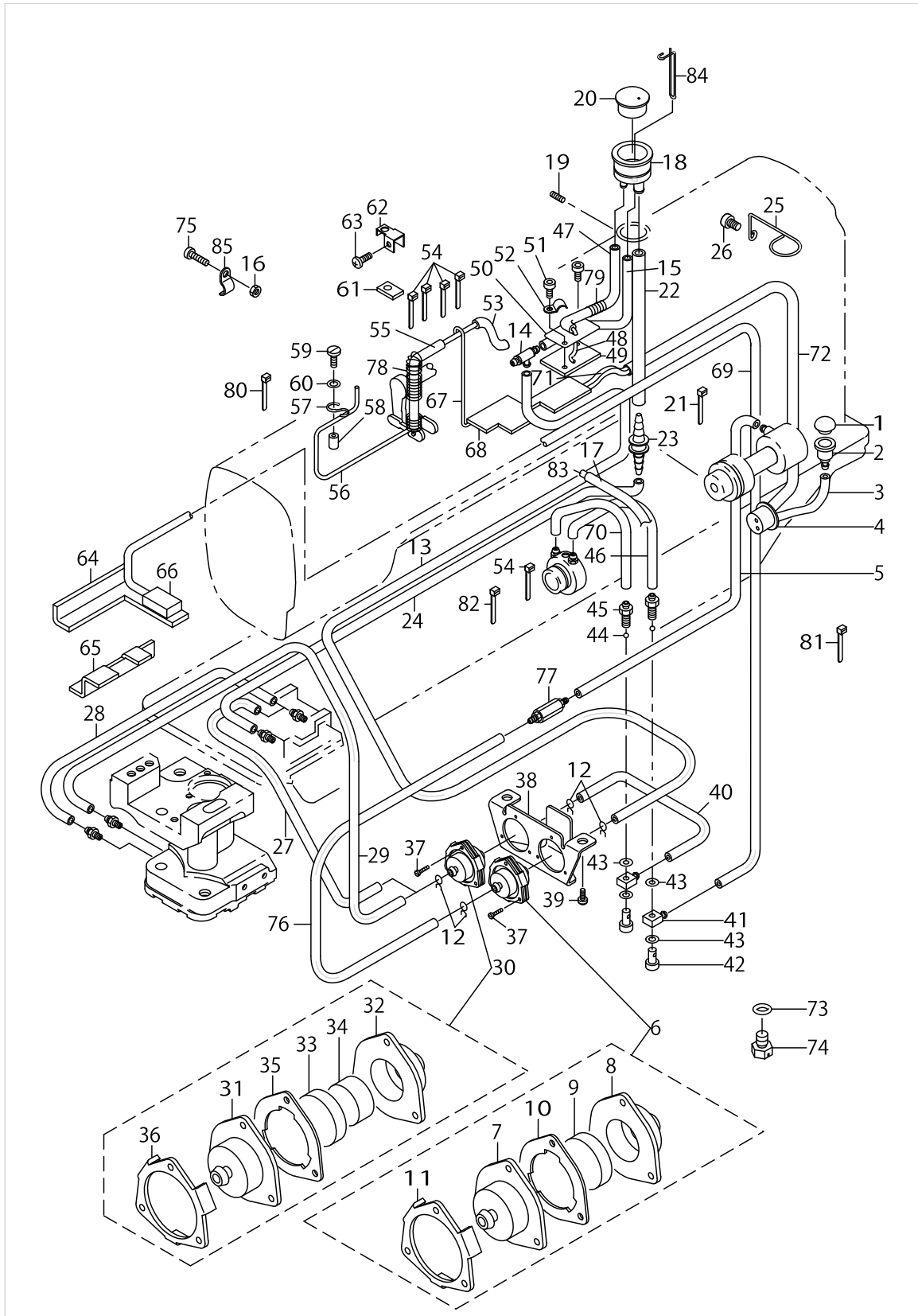
LUBRICATION COMPONENTS



LUBRICATION COMPONENTS

No.	Parts No.	Parts name	Remarks	Level	Cons	Qty
1	TA1450404R0	RUBBER PLUG D=14.5 L=4				1
2	10731404	LUBRICATING HOLE				1
3	BT0600402EA	OIL TUBE				0.13
4	10733004	BED TANK LUBRICATING COVER				1
5	BT0500300E0	OIL TUBE				0.16
6	10727154	FILTER A ASM.				1
7	10727105	FILTER CASE		*		1
8	10727204	FILTER CAP		*		1
9	B8228125000	OIL RESERVOIR MAGNET		*		1
10	10739209	FILTER PACKING		*		1
11	10753002	FILTER PLATE		*		1
12	10126803	OIL TUBE HOLDER				4
13	BT0500300E0	OIL TUBE				0.6
14	B3521245000	RUBBER JOINT				1
15	BT0500300E0	OIL TUBE				0.2
16	NS6110350SP	NUT 11/64-40				1
17	BT0800602E0	URETHANE TUBE 6X8 TRANSPARENT				0.14
18	10771509	OIL WINDOW				1
19	SS8150750SP	SCREW 15/64-28 L=7				1
20	10760304	OIL SIGHT WINDOW				1
21	EA9500B0000	CLIP CV-70S				3
22	BT0800602E0	URETHANE TUBE 6X8 TRANSPARENT				0.17
23	10771301	PIPE CONNECTOR B				1
24	BT0600402EA	OIL TUBE				0.83
25	23151509	CORD GUIDE				2
26	SS6121010SP	SCREW 3/16-28 L=10				1
27	BT0500300E0	OIL TUBE				0.55
28	BT0600402EA	OIL TUBE	FOR LU-2266N-7			0.18
29	BT0500300E0	OIL TUBE	FOR LU-2266N-7			0.64
30	10727162	FILTER B ASM.				1
31	10727105	FILTER CASE		*		1
32	10727204	FILTER CAP		*		1
33	B8228125000	OIL RESERVOIR MAGNET		*		1
34	10727303	FILTER		*		1
35	10739209	FILTER PACKING		*		1
36	10753002	FILTER PLATE		*		1
37	SM6021000TP	SCREW				6
38	10755403	FILTER FIXING PLATE				1
39	SM6061210SC	SCREW M6 L=12				2
40	BT0500300E0	OIL TUBE				0.1
41	40082707	CONNECTING SCREW				2
42	B3525357000	CONNECTING SCREW (B)				2
43	B3534012000	GASKET				4
44	21054903	BALL				2
45	10702108	CONNECTING SCREW				2
46	BT0500300E0	OIL TUBE				0.13
47	BT0600402EA	OIL TUBE				0.73

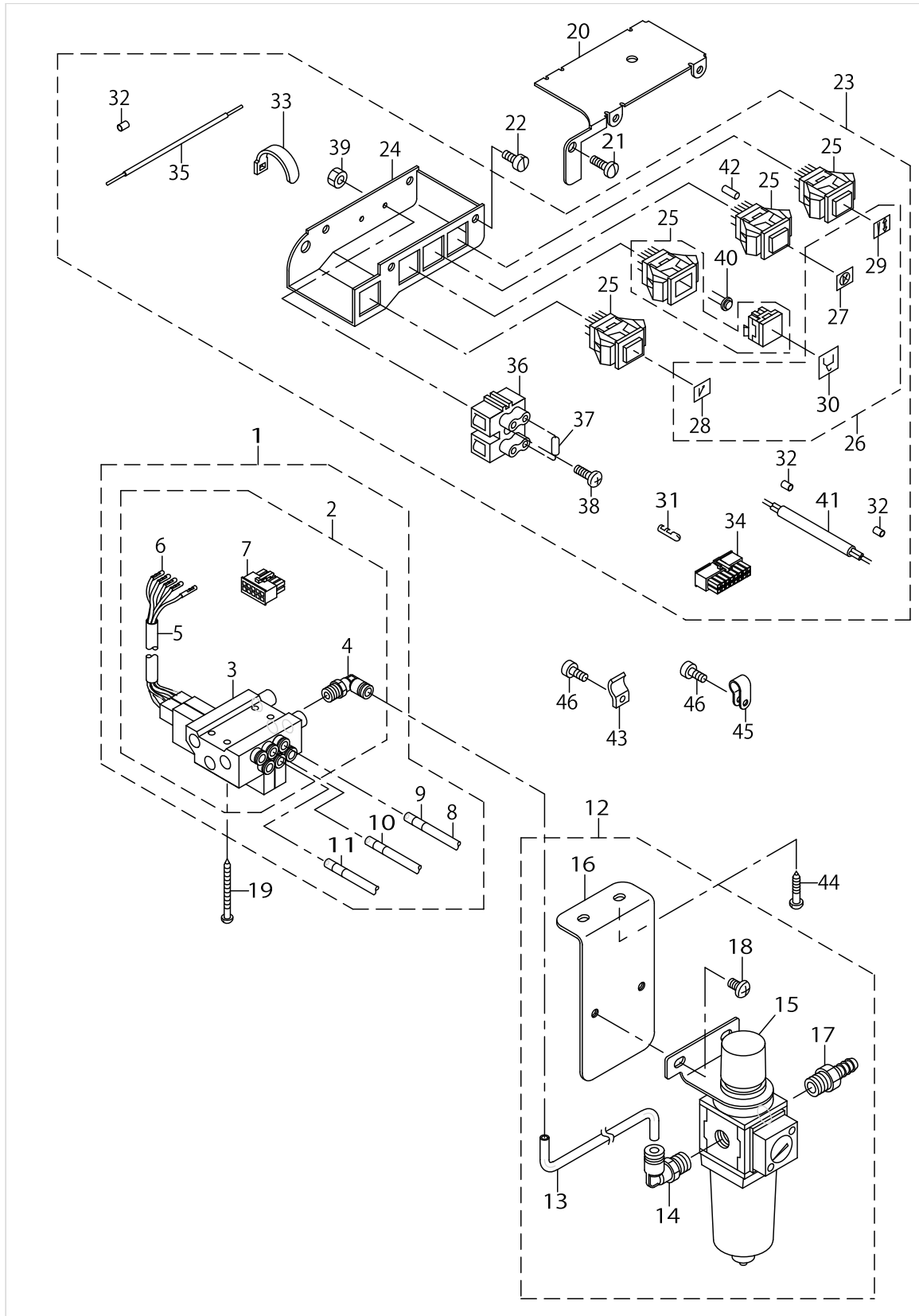
LUBRICATION COMPONENTS



LUBRICATION COMPONENTS

No.	Parts No.	Parts name	Remarks	Level	Cons	Qty
48	CQ252000000	OIL WICK				0.93
49	10732402	VERTICAL LUBRICATING FELT				1
50	10732600	LUBRICATING FELT PRESSER B				1
51	SM6050802TP	SCREW M5X0.8 L=8				2
52	D2611555B00A	CABLE HOLDER				1
53	BT0600402EA	OIL TUBE				0.45
54	EA9500B0100	CABLE BAND				11
55	BT0400251EA	TUBE HOSE BLUE				0.16
56	CQ202000000	OIL WICK				0.8
57	B1648122000	SUSPENSION HOOK (B)				1
58	10734606	FELT PRESSER SPACER				1
59	SS6081210SP	SCREW 1/8-44 L=12				1
60	WP0320501SC	WASHER M3				1
61	10733608	SWING STAND FELT UPPER				1
62	10733707	SWING STAND FELT SUPPORT UPPER				1
63	SM4040601SC	SCREW M4X0.7 L=6				1
64	10734119	RETURN CURRENT FELT				1
65	10702207	FELT				1
66	10527901	FELT				1
67	CQ252000000	OIL WICK				0.25
68	10734309	FELT				1
69	BT0500300E0	OIL TUBE				1.06
70	BT0500300E0	OIL TUBE				0.13
71	21124201	FELT				1
72	BT0800602E0	URETHANE TUBE 6X8 TRANSPARENT				0.78
73	RO068190100	RUBBER RING				1
74	40079568	DRAIN_COCK				1
75	SS6111620SP	SCREW 11/64-40 L=16.0				1
76	BT0500300E0	OIL TUBE				0.16
77	23159254	CHECK VALVE				1
78	10746907	SPRING				1
79	10123701	PRESSER SPRING				1
80	EA9500B0000	CLIP CV-70S				1
81	EA9500B0200	CABLE BAND 150				2
82	EA9500B0100	CABLE BAND	FOR LU-2266N-7			1
83	SQ1680701MZ	CONNECTING SCREW				1
84	10760502	LUBRICATION GUIDE BAR				1
85	D2611555B00A	CABLE HOLDER				1

CONTROL DEVICE COMPONENTS



CONTROL DEVICE COMPONENTS

No.	Parts No.	Parts name	Remarks	Level	Cons	Qty
1	40024969	AIR APPARATUS (A) ASM.				1
2	40024858	ELECTROMAGNETIC VALVE (C) ASM.		*		1
3	GAKA2302C00	ELECTROMAGNETIC VALVE C		*		1
4	GAK29010000	ELBOW B		*		1
5	GAKA1503000	INSULATION TUBE		*		1
6	HK03464000A	TERMINAL FEMALE		*		5
7	HK034610100	10P CONNECTOR		*		1
8	BT0600401EB	TUBE		*		3
9	HX002950000	WIRE MARK(1)		*		3
10	HX00295000A	WIRE MARK(2)		*		3
11	HX00295000B	WIRE MARK(3)		*		3
12	40038722	FILTER REGULATAR ASM.				1
13	BT0600401EB	TUBE		*		1
14	GAK29009000	ELBOW		*		1
15	PF0552170A0	FILTER REGULATOR		*		1
16	40038723	FILTER REGULATOR MOUNTING PLATE		*		1
17	40107618	NIPPLE		*		1
18	SM4061001SB	SCREW M6 L=10		*		2
19	SK3385001SE	WOOD SCREW D=3.8 L=50				4
20	10740710	TOUCH BACK SWITCH COVER				1
21	SS7120710SP	SCREW 3/16-28 L=7				2
22	SS6110610TP	SCREW 11/64-40 L=6				4
23	40103915	TOUCH BACK SWITCH ASM.				1
24	10740611	TOUCH BACK SWITCH BASE		*		1
25	10748507	TOUCH BACK SWITCH		*		4
26	40026740	BUTTON SHEET ASM. A		*		1
27	40026735	BUTTON SHEET C		*		1
28	40026733	BUTTON SHEET A		*		1
29	40026736	BUTTON SHEET E		*		1
30	40026734	BUTTON SHEET B		*		1
31	HK03464000A	TERMINAL FEMALE		*		7
32	E8760452K00	TUBE (220/240V)		*		0.02
33	EA9500B0100	CABLE BAND		*		1
34	HK034610160	16-POLE RECEPTACLE		*		1
35	HW200250000	WIRE BLACK		*		0.3
36	10741908	2-P TERMINAL BASE		*		1
37	HR029101520	RESISTOR 1.5K		*		1
38	SM4861201SC	SCREW M2.6 L=12		*		1
39	NM6860003SC	NUT M2.6		*		1
40	10740801	LED CORD		*		1
41	HW000840080	4-CORE CABTYRE CORD		*		1.7
42	E8760452D00	TUBE 0.015M		*		0.15
43	D2611555B00A	CABLE HOLDER				1
44	SK3482501SE	WOOD SCREW D=4.8 L=25				2
45	HX00123000A	CABLE CLIP				3
46	SS6121010SP	SCREW 3/16-28 L=10				4

TABLE & BELT COVER COMPONENTS

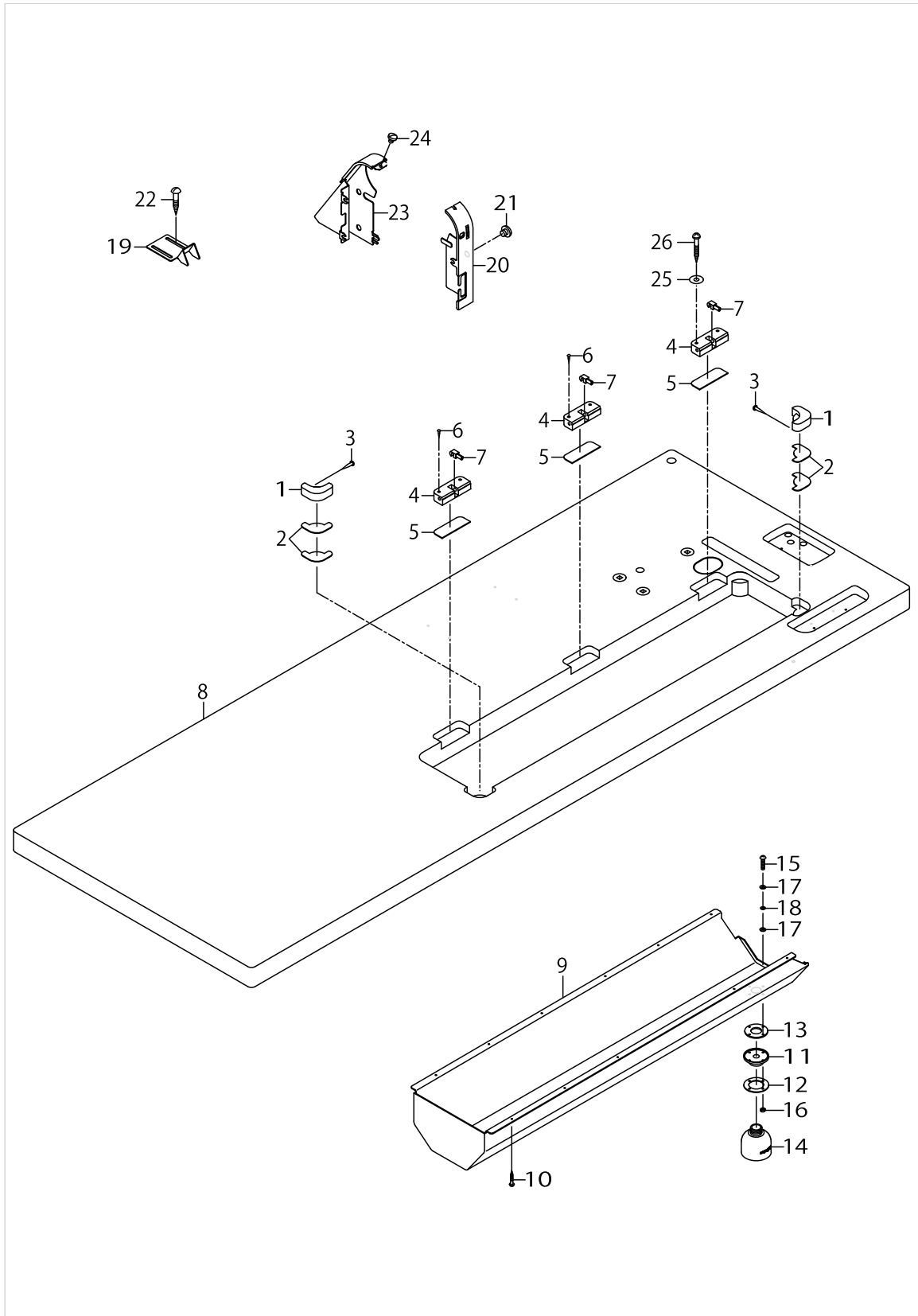
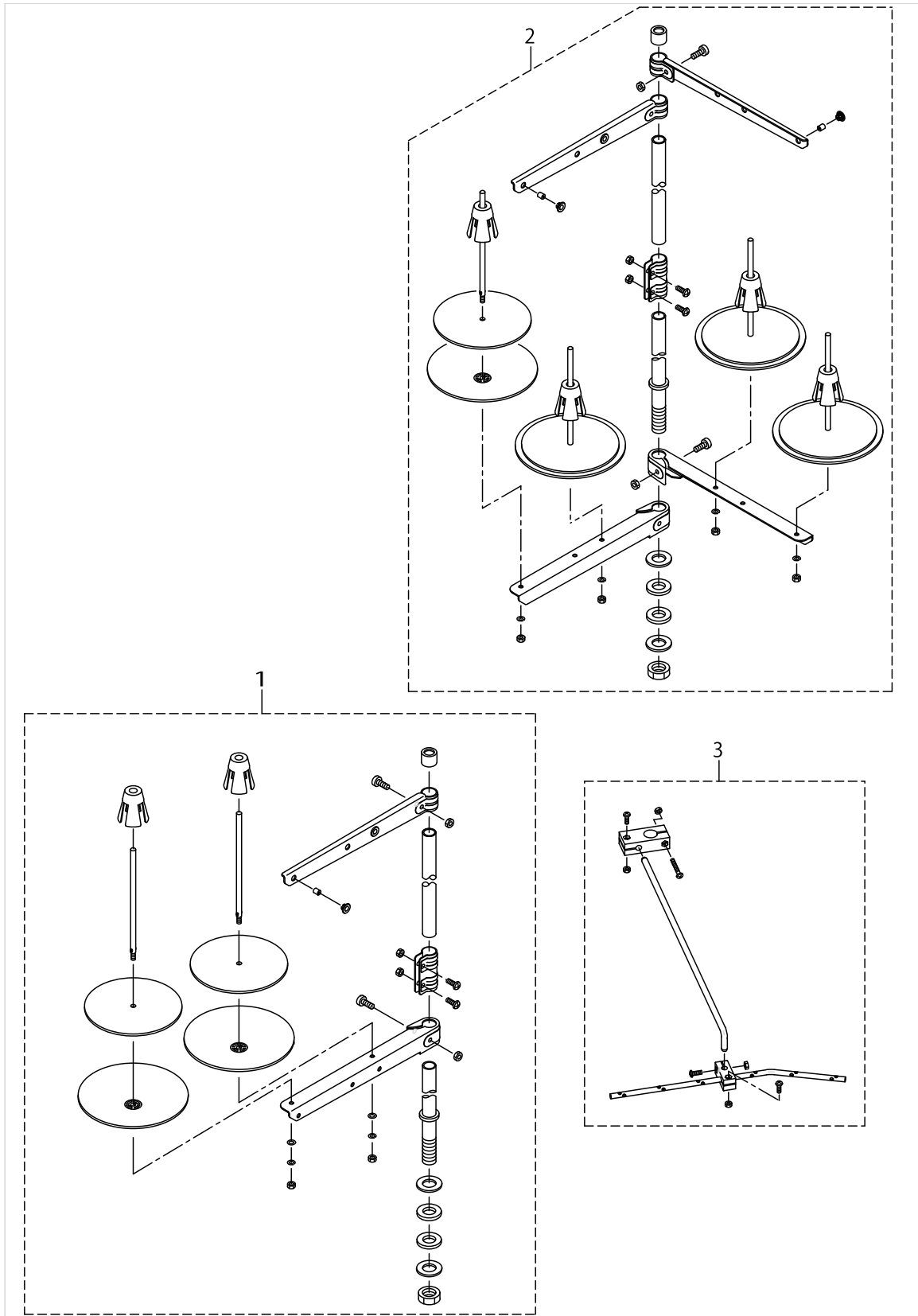


TABLE & BELT COVER COMPONENTS

No.	Parts No.	Parts name	Remarks	Level	Cons	Qty
1	10742302	HEAD SUPPORT RUBBER				2
2	10740900	RUBBER				4
3	10539906	SET NAIL				4
4	10734853	HINGE ASM.				3
5	10742005	SPACER				3
6	10539906	SET NAIL				4
7	B8213012000	BED HINGE CONNECTION				3
8	23158207	TABLE (LONG BED)				1
9	23151202	OIL HOLDER (LONG)				1
10	SK3241601SC	WOOD SCREW D=2.4 L=16				11
11	40025299	OIL POT JOINT				1
12	21379003	OIL MANAGEMENT WASHER				1
13	21379003	OIL MANAGEMENT WASHER				1
14	40025300	OIL POT				1
15	SM3031401SE	SCREW M3X0.5 L=14				4
16	NM6030001SC	NUT M3				4
17	10748101	OIL REMOVING SETSCREW PACKING				8
18	WP0320501SC	WASHER M3				4
19	10755205	BELT COVER C(JE)				1
20	10755155	BELT COVER LEFT(JE)				1
21	SS5150510SP	SCREW 15/64-28 L=5				3
22	SK3482500SC	WOOD SCREW D=4.8 L=25				2
23	40059695	BELT COVER				1
24	SS7110510SP	SCREW 11/64-40 L=5				1
25	WP0501046SC	WASHER 5X13X1				2
26	SK3483201SE	WOOD SCREW D=4.8 L=32				2

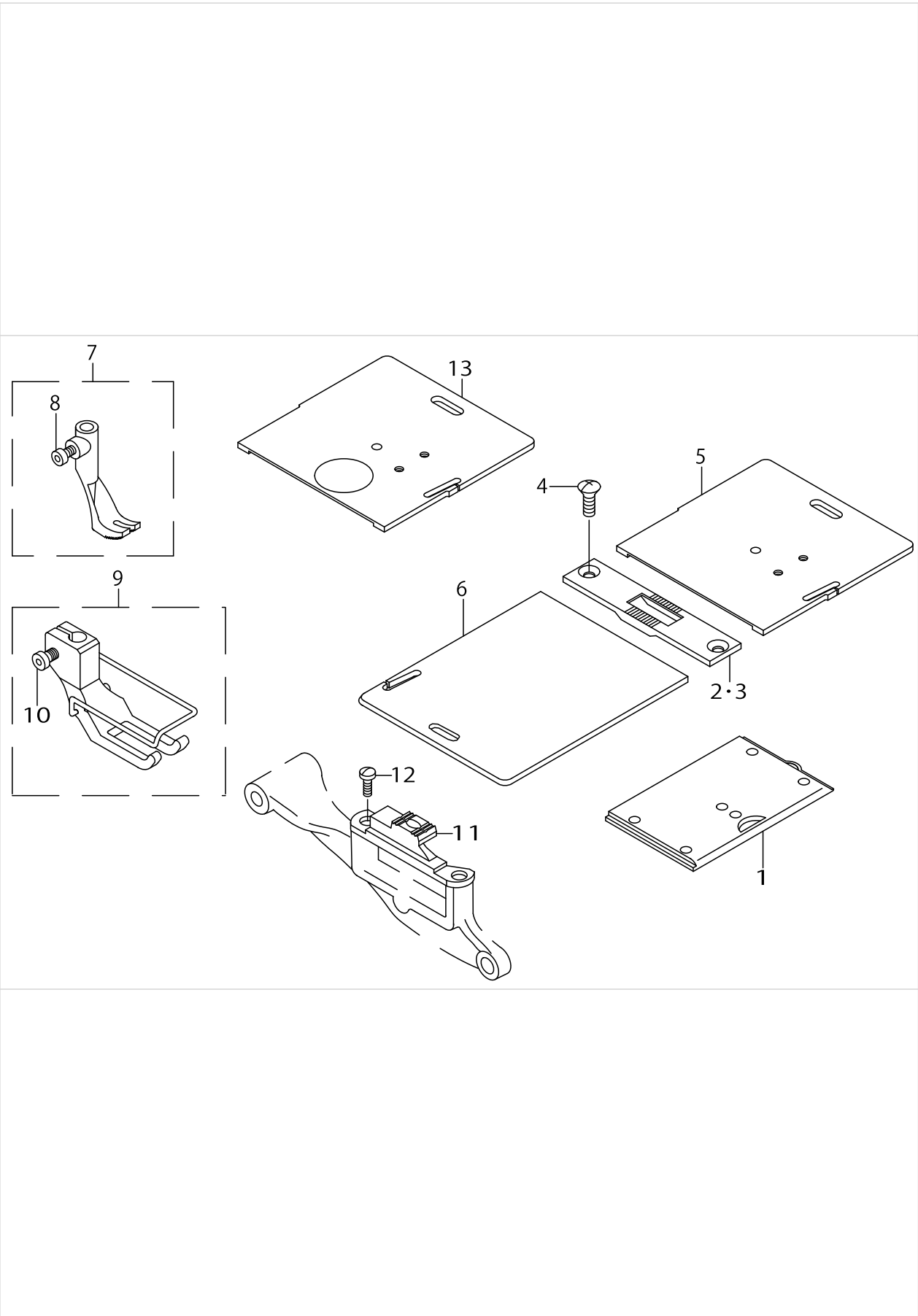
THREAD STAND COMPONENTS



THREAD STAND COMPONENTS

No.	Parts No.	Parts name	Remarks	Level	Cons	Qty
1	40096354	THREAD STAND ASM.				1
2	26910158	THREAD STANDING DEVICE ASM.	FOR LU-2266N-7			1
3	26910059	THREAD GUIDE ARM ASM.				1

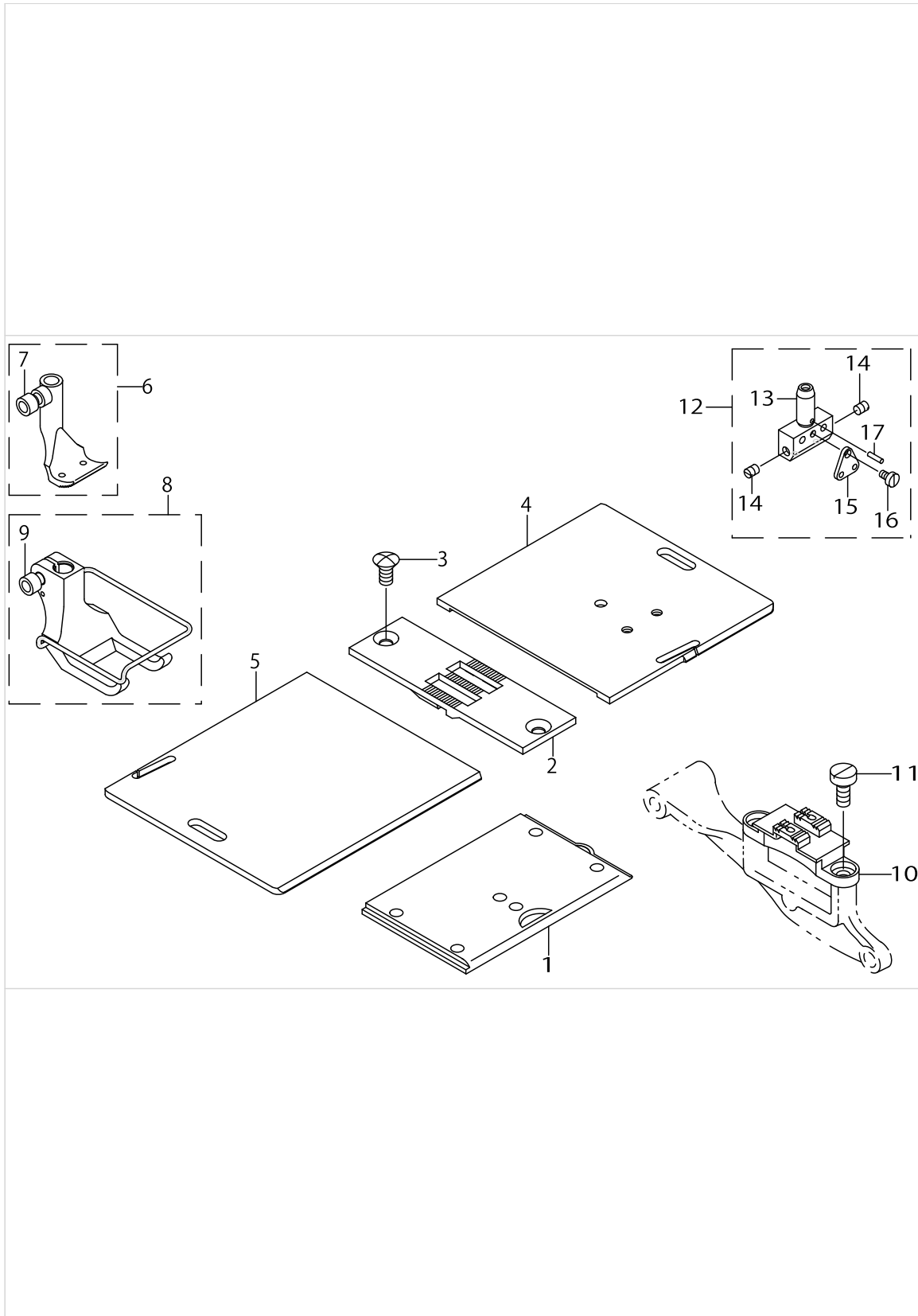
GAUGE COMPONENTS(LU-2216N-7 STANDARD PARTS)



GAUGE COMPONENTS(LU-2216N-7 STANDARD PARTS)

No.	Parts No.	Parts name	Remarks	Level	Cons	Qty
1	10701654	SLIDE PLATE ASM.				1
2	10701704	THROAT PLATE				1
3	10702009	THROAT PLATE	OPTIONAL PARTS			1
4	SS2110915SP	SCREW 11/64-40 L=8.5				2
5	10701803	SLIDE PLATE RIGHT				1
6	10701902	SLIDE PLATE LEFT				1
7	10711653	FEED FOOT ASM.				1
8	SM6040552TP	SCREW M4 L=4.5		*		1
9	10712552	PRESSER FOOT ASM.				1
10	SM6040802TP	SCREW M4X0.7 L=8		*		1
11	10717106	FEED DOG				1
12	SS6111010SP	SCREW 11/64-40 L=9.5				2
13	10753150	SLIDER PLATE ASM. RIGHT	OPTIONAL PARTS			1

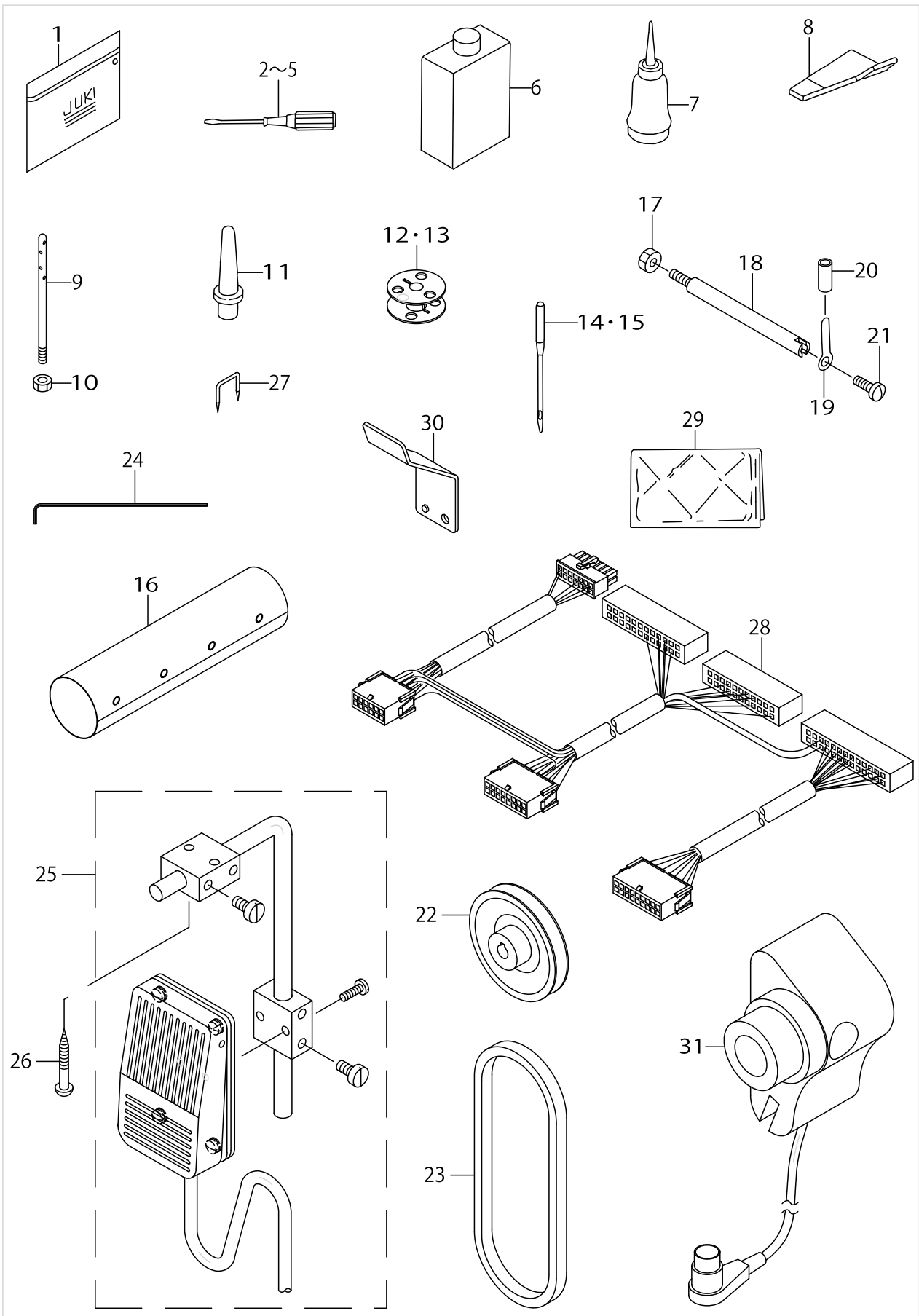
GAUGE COMPONENTS(LU-2266N-7 STANDARD PARTS)



GAUGE COMPONENTS(LU-2266N-7 STANDARD PARTS)

No.	Parts No.	Parts name	Remarks	Level	Cons	Qty
1	10701654	SLIDE PLATE ASM.				1
2	10784809	THROAT PLATE(10MM)				1
3	SS2110915SP	SCREW 11/64-40 L=8.5				2
4	10786002	SLIDE PLATE RIGHT 10-18MM				1
5	10786408	SLIDE PLATE LEFT 10-18MM				1
6	10783355	FEED FOOT ASM. 10MM				1
7	SM6040552TP	SCREW M4 L=4.5		*		1
8	10781854	PRESSER FOOT ASM.				1
9	SM6040802TP	SCREW M4X0.7 L=8		*		1
10	10780302	FEED DOG				1
11	SS6111010SP	SCREW 11/64-40 L=9.5				2
12	10777852	NEEDLE CLAMP ASM.10MM				1
13	10777803	NEEDLE CLAMP 10MM		*		1
14	SS8080410TP	SCREW 1/8-44 L=3.5		*		2
15	10779007	NEEDLE BAR THREAD GUIDE 4-8MM		*		1
16	SS6060440TP	SCREW 3/32-56 L=3.5		*		1
17	PS0150065KP	SPRING PIN 1.5X6		*		1

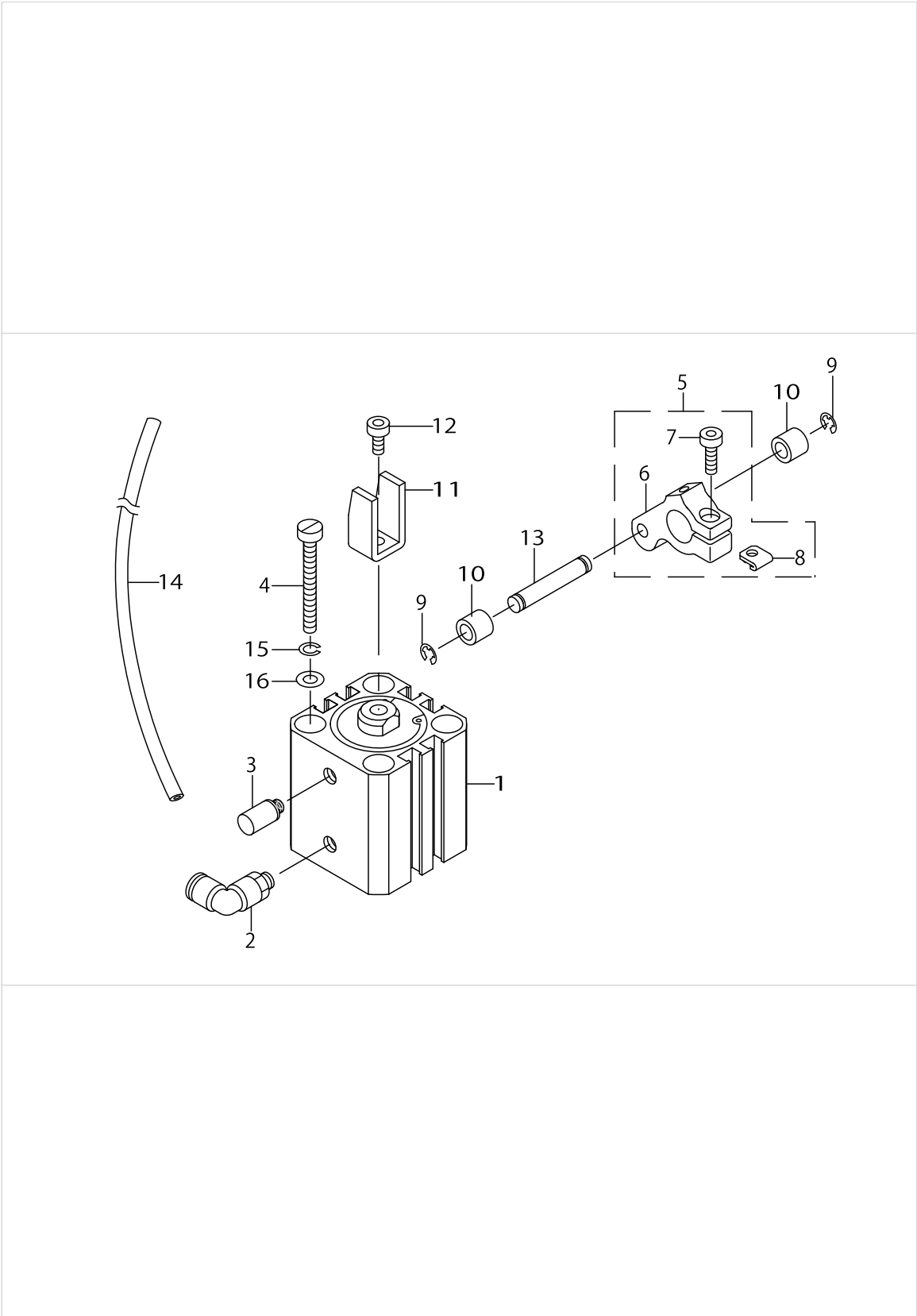
ACCESSORIES PARTS COMPONENTS



ACCESSORIES PARTS COMPONENTS

No.	Parts No.	Parts name	Remarks	Level	Cons	Qty
1	B9101552000	ACCESSORY BOX				1
2	22933105	SCREW DRIVER MIDDLE				1
3	22933006	SCREW DRIVER LARGE				1
4	22933204	SCREW DRIVER SMALL				1
5	12347308	SCREW DRIVER (SMALL)				1
6	MDFRX1600C0	DEFRIX OIL NO.1(600CC)				1
7	B91210120A0	OILER ASM.				1
8	10742203	FIXED SURGICAL KNIFE GAUGE				1
9	40052262	THREAD GUIDE PIN				1
10	NS6620310SP	NUT 3/16-32				1
11	22931604	FRAME SUPPORT BAR				1
12	10759603	ALUMINUM BOBBIN (DOUBLE-CUT)				1
13	10759603	ALUMINUM BOBBIN (DOUBLE-CUT)	FOR LU-2266N-7			2
14	MC321001402	NEEDLE 134-35 #140-2				1
15	MC321001402	NEEDLE 134-35 #140-2	FOR LU-2266N-7			2
16	40102736	BUTTON TUBE				0.35
17	NS6150430SP	NUT 15/64-28				1
18	D7101245E00	SYNCHRONIZER HOLDER STUD				1
19	D7102245E00	SYNCHRONIZER HOLDER PLATE				1
20	BT0630520Z0	HOLDER COVER				0.02
21	SS7110710SP	SCREW 11/64-40 L=7				1
22	MTSP00700B0	MOTOR PULLEY ASM. P.C.D 70				1
23	MTJVH00420A	V-BELT 42 INCH				1
24	10777407	WRENCH 2.5MM	FOR LU-2266N-7			1
25	40025036	KNEE SWITCH ASM.	FOR DL KNEE SWITCH TYPE			1
26	SK3514000SC	WOOD SCREW D=5.1 L=40	FOR DL KNEE SWITCH TYPE			2
27	MAO11532000	CORD STAPLE	FOR DL KNEE SWITCH TYPE			2
28	40101742	RELAY CORD ASM.				1
29	40049863	HEAD COVER				1
30	40052256	PANEL THREAD GUIDE				1
31	40026920	SYNCHRONIZER ASM				1

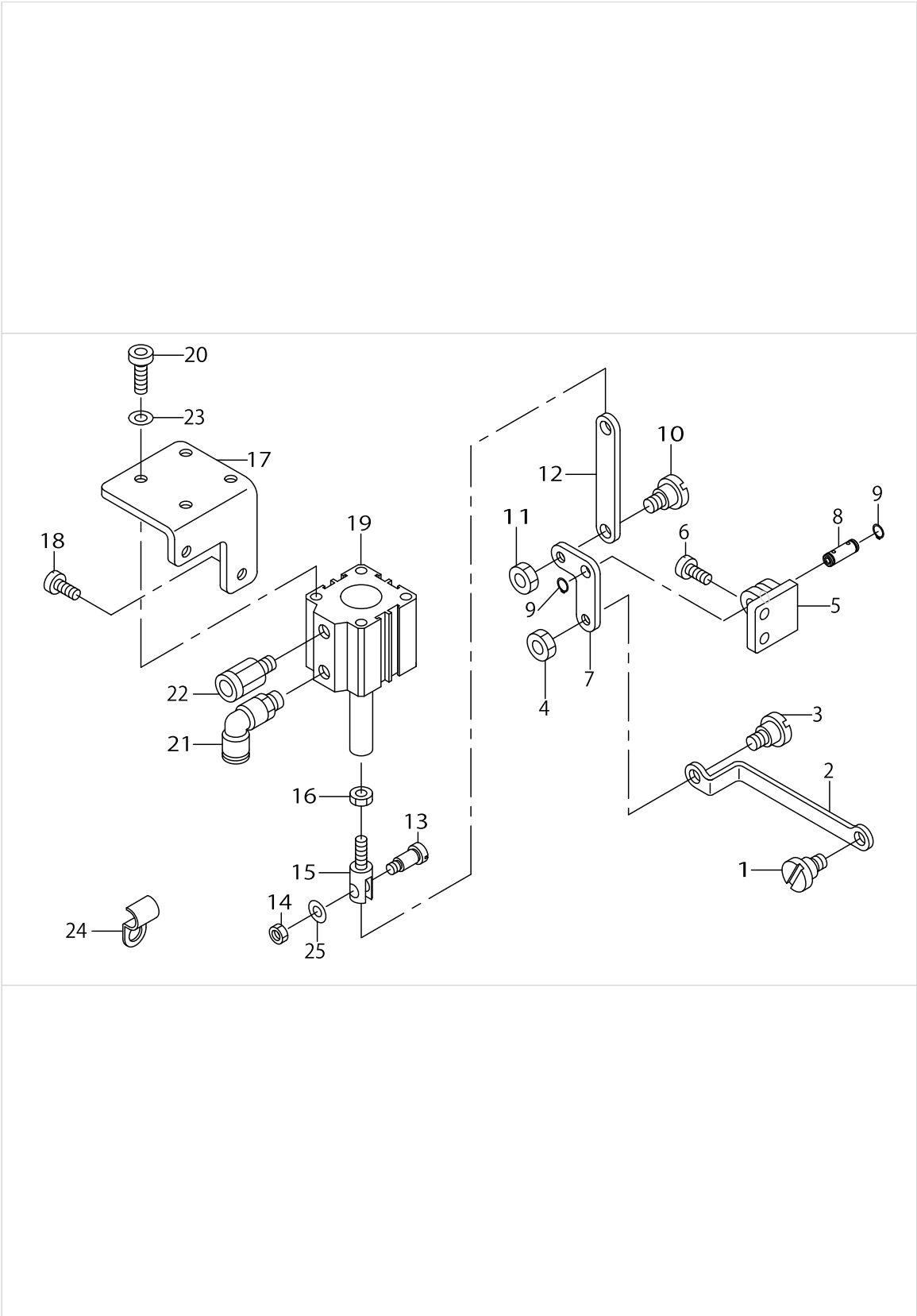
MUTUAL RISING QUANTITY TRANSFER COMPONENTS



MUTUAL RISING QUANTITY TRANSFER COMPONENTS

No.	Parts No.	Parts name	Remarks	Level	Cons	Qty
1	PA250200600	JIG CYLINDER	OPTIONAL PARTS			1
2	PJ304060505	ELBOW	OPTIONAL PARTS			1
3	PX050501000	SILENCER	OPTIONAL PARTS			1
4	SM6044500SP	SCREW	OPTIONAL PARTS			2
5	10735959	VERTICAL CYLINDER ARM ASM.	OPTIONAL PARTS			1
6	10735900	VERTICAL CYLINDER ARM		*		1
7	SM6051402TP	SCREW M5X0.8 L=14		*		1
8	10711406	SPACER B		*		1
9	RE0320000K0	E-RING 3.2	OPTIONAL PARTS			2
10	B3031141H00	CONNECTING STUD	OPTIONAL PARTS			2
11	10736007	ROLLER HOLDER	OPTIONAL PARTS			1
12	SM6050802TP	SCREW M5X0.8 L=8	OPTIONAL PARTS			1
13	B1504210000	CONNECTING SHAFT	OPTIONAL PARTS			1
14	BT0600401EB	TUBE	OPTIONAL PARTS			1.55
15	WS0410002KN	SPRING WASHER	OPTIONAL PARTS			2
16	WP0450846SP	WASHER	OPTIONAL PARTS			2

BACK TUCK COMPONENTS



BACK TUCK COMPONENTS

No.	Parts No.	Parts name	Remarks	Level	Cons	Qty
1	SD0800352SP	HINGE SCREW D=8 H=3.5				1
2	10736403	BACKWARD FEED ROD				1
3	SD0800352SP	HINGE SCREW D=8 H=3.5				1
4	NS6150540SP	NUT 15/64-28				1
5	10775807	LINK FITTING BASE				1
6	SS6151440SP	SCREW 15/64-28 L=14				2
7	10775906	BACKWARD FEED LINK				1
8	10718906	VERTICAL FEED LINK SHAFT				1
9	RC0650811KP	RETAINING RING				2
10	SD0800402TP	HINGE SCREW D=8 H=4				1
11	NS6150430SP	NUT 15/64-28				1
12	10737302	CYLINDER CONNECTION RING				1
13	SD0791271SP	HINGE SCREW D=7.94 H=12.7				1
14	NS6150430SP	NUT 15/64-28				2
15	40052254	CYLINDER KNUCKLE JOINT				1
16	NM6060001SE	NUT M6				1
17	10744506	CYLINDER INSTALLATION BASE				1
18	SS6151440SP	SCREW 15/64-28 L=14				2
19	PA320150200	JIG CYLINDER				1
20	SM6061802TP	SCREW M6 L=18				4
21	PJ304065101	ELBOW UNION 6XPT1/8				1
22	PX015101000	MUFFLER				1
23	WP0641601SD	WASHER M6				4
24	B3538112000	OIL RETURN TUBE HOLDER				1
25	WP0621016SD	WASHER 6.2X13X1				1

TABLE OF EXCHANGING GAUGE PARTS(LU-2266N-7)

Needle width 針幅	Set number 代表品番		Needle clamp asm. 針止め(組)	Needle rod thread rack 針棒糸かけ	Feed dog 送り歯	Presser foot asm. 押え足(組)	Finger guard 指ガード					
	mm	Ref.No	Parts No.	Ref.No	Parts No.	Ref.No	Parts No.					
(4)	1	107-84551	14	107-77555	27	107-79007	30	107-80005	43	107-81557	56	107-86903
6	2	107-84650	15	107-77654	27	107-79007	31	107-80104	44	107-81656	56	107-86903
8	3	107-84759	16	107-77753	27	107-79007	32	107-80203	45	107-81755	56	107-86903
10	4	107-84858	17	107-77852	27	107-79007	33	107-80302	46	107-81854	57	107-87000
12	5	107-84957	18	107-77951	28	107-79106	34	107-80401	47	107-81953	57	107-87000
(14)	6	107-85053	19	107-78058	28	107-79106	35	107-80500	48	107-82050	58	107-87109
(16)	7	107-85152	20	107-78157	28	107-79106	36	107-80609	49	107-82159	58	107-87109
(18)	8	107-85251	21	107-78256	28	107-79106	37	107-80708	50	107-82258	58	107-87109
20	9	107-85350	22	107-78355	29	B1403-526-000	38	107-80807	51	107-82357	59	107-87208
(22)	10	107-85459	23	107-78454	29	B1403-526-000	39	107-80906	52	107-82456	59	107-87208
(24)	11	107-85558	24	107-78553	29	B1403-526-000	40	107-81003	53	107-82555	59	107-87208
(30)	12	107-85657	25	107-78652	29	B1403-526-000	41	107-81102	54	107-82654	60	107-87307
(36)	13	107-85756	26	107-78751	29	B1403-526-000	42	107-81201	55	107-82753	61	107-87406

Needle width 針幅	Set number 代表品番		Waking foot asm. 送り足(組)	Throat plate 針板	Sliding plate (left) 滑り板(左)	Sliding plate (right) 滑り板(右)				
	mm	Ref.No	Parts No.	Ref.No	Parts No.	Ref.No	Parts No.			
(4)	1	107-84551	62	107-83058	75	107-84502	88	107-86309	92	107-01803
6	2	107-84650	63	107-83157	76	107-84601	88	107-86309	92	107-01803
8	3	107-84759	64	107-83256	77	107-84700	88	107-86309	92	107-01803
10	4	107-84858	65	107-83355	78	107-84809	89	107-86408	93	107-86002
12	5	107-84957	66	107-83454	79	107-84908	89	107-86408	93	107-86002
(14)	6	107-85053	67	107-83553	80	107-85004	89	107-86408	93	107-86002
(16)	7	107-85152	68	107-83652	81	107-85103	89	107-86408	93	107-86002
(18)	8	107-85251	69	107-83751	82	107-85202	89	107-86408	93	107-86002
20	9	107-85350	70	107-83850	83	107-85301	90	107-86507	94	107-86101
(22)	10	107-85459	71	107-83959	84	107-85400	90	107-86507	94	107-86101
(24)	11	107-85558	72	107-84056	85	107-85509	90	107-86507	94	107-86101
(30)	12	107-85657	73	107-84155	86	107-85608	90	107-86507	94	107-86101
(36)	13	107-85756	74	107-84254	87	107-85707	91	107-86606	95	107-86200

Note...Sets having () with needle width are specially made to order.

Sliding plate(right) and sliding plate(left) are not included in the set nos.

注記...針幅に () のついているセットは、特別注文部品です。

代表品番の構成内容に滑り板(右),滑り板(左)は含まれません。

TABLE OF EXCHANGING GAUGE PARTS(LU-2266N-7)

No.	Parts No.	Parts name	Remarks	Level	Cons	Qty
1	10784551	GAUGE SET 4MM				1
2	10784650	GAUGE SET 6MM				1
3	10784759	GAUGE SET 8MM				1
4	10784858	GAUGE SET 10MM				1
5	10784957	GAUGE SET 12MM				1
6	10785053	GAUGE SET 14MM				1
7	10785152	GAUGE SET 16MM				1
8	10785251	GAUGE SET 18MM				1
9	10785350	GAUGE SET 20MM				1
10	10785459	GAUGE SET 22MM				1
11	10785558	GAUGE SET 24MM				1
12	10785657	GAUGE SET 30MM				1
13	10785756	GAUGE SET 36MM				1
14	10777555	NEEDLE CLAMP ASM. 4MM				1
15	10777654	NEEDLE CLAMP ASM. 6MM				1
16	10777753	NEEDLE CLAMP ASM. 8MM				1
17	10777852	NEEDLE CLAMP ASM.10MM				1
18	10777951	NEEDLE CLAMP ASM. 12MM				1
19	10778058	NEEDLE CLAMP ASM. 14MM				1
20	10778157	NEEDLE CLAMP ASM. 16MM				1
21	10778256	NEEDLE CLAMP ASM. 18MM				1
22	10778355	NEEDLE CLAMP ASM. 20MM				1
23	10778454	NEEDLE CLAMP ASM. 22MM				1
24	10778553	NEEDLE CLAMP ASM. 24MM				1
25	10778652	NEEDLE CLAMP ASM. 30MM(SP)				1
26	10778751	NEEDLE CLAMP ASM. 36MM				1
27	10779007	NEEDLE BAR THREAD GUIDE 4-8MM				1
28	10779106	NEEDLE BAR THREAD GUIDE PLATE				1
29	B1403526000	THREAD GUIDE				1
30	10780005	FEED DOG (4MM)				1
31	10780104	FEED DOG (6MM)				1
32	10780203	FEED DOG (8MM)				1
33	10780302	FEED DOG (10MM)				1
34	10780401	FEED DOG (12MM)				1
35	10780500	FEED DOG (14MM)				1
36	10780609	FEED DOG (16MM)				1
37	10780708	FEED DOG (18MM)				1
38	10780807	FEED DOG (20MM)				1
39	10780906	FEED DOG (22MM)				1
40	10781003	FEED DOG (24MM)				1
41	10781102	FEED DOG 30MM(SP)				1
42	10781201	FEED DOG 36MM				1
43	10781557	PRESSER FOOT ASM. 4MM				1
44	10781656	PRESSER FOOT ASM. 6MM				1
45	10781755	PRESSER FOOT ASM. 8MM				1
46	10781854	PRESSER FOOT ASM. 10MM				1
47	10781953	PRESSER FOOT ASM. 12MM				1

TABLE OF EXCHANGING GAUGE PARTS(LU-2266N-7)

Needle width 針幅	Set number 代表品番		Needle clamp asm. 針止め(組)	Needle rod thread rack 針棒糸かけ	Feed dog 送り歯	Presser foot asm. 押え足(組)	Finger guard 指ガード					
	mm	Ref.No	Parts No.	Ref.No	Parts No.	Ref.No	Parts No.					
(4)	1	107-84551	14	107-77555	27	107-79007	30	107-80005	43	107-81557	56	107-86903
6	2	107-84650	15	107-77654	27	107-79007	31	107-80104	44	107-81656	56	107-86903
8	3	107-84759	16	107-77753	27	107-79007	32	107-80203	45	107-81755	56	107-86903
10	4	107-84858	17	107-77852	27	107-79007	33	107-80302	46	107-81854	57	107-87000
12	5	107-84957	18	107-77951	28	107-79106	34	107-80401	47	107-81953	57	107-87000
(14)	6	107-85053	19	107-78058	28	107-79106	35	107-80500	48	107-82050	58	107-87109
(16)	7	107-85152	20	107-78157	28	107-79106	36	107-80609	49	107-82159	58	107-87109
(18)	8	107-85251	21	107-78256	28	107-79106	37	107-80708	50	107-82258	58	107-87109
20	9	107-85350	22	107-78355	29	B1403-526-000	38	107-80807	51	107-82357	59	107-87208
(22)	10	107-85459	23	107-78454	29	B1403-526-000	39	107-80906	52	107-82456	59	107-87208
(24)	11	107-85558	24	107-78553	29	B1403-526-000	40	107-81003	53	107-82555	59	107-87208
(30)	12	107-85657	25	107-78652	29	B1403-526-000	41	107-81102	54	107-82654	60	107-87307
(36)	13	107-85756	26	107-78751	29	B1403-526-000	42	107-81201	55	107-82753	61	107-87406

Needle width 針幅	Set number 代表品番		Waking foot asm. 送り足(組)	Throat plate 針板	Sliding plate (left) 滑り板(左)	Sliding plate (right) 滑り板(右)				
	mm	Ref.No	Parts No.	Ref.No	Parts No.	Ref.No	Parts No.			
(4)	1	107-84551	62	107-83058	75	107-84502	88	107-86309	92	107-01803
6	2	107-84650	63	107-83157	76	107-84601	88	107-86309	92	107-01803
8	3	107-84759	64	107-83256	77	107-84700	88	107-86309	92	107-01803
10	4	107-84858	65	107-83355	78	107-84809	89	107-86408	93	107-86002
12	5	107-84957	66	107-83454	79	107-84908	89	107-86408	93	107-86002
(14)	6	107-85053	67	107-83553	80	107-85004	89	107-86408	93	107-86002
(16)	7	107-85152	68	107-83652	81	107-85103	89	107-86408	93	107-86002
(18)	8	107-85251	69	107-83751	82	107-85202	89	107-86408	93	107-86002
20	9	107-85350	70	107-83850	83	107-85301	90	107-86507	94	107-86101
(22)	10	107-85459	71	107-83959	84	107-85400	90	107-86507	94	107-86101
(24)	11	107-85558	72	107-84056	85	107-85509	90	107-86507	94	107-86101
(30)	12	107-85657	73	107-84155	86	107-85608	90	107-86507	94	107-86101
(36)	13	107-85756	74	107-84254	87	107-85707	91	107-86606	95	107-86200

Note...Sets having () with needle width are specially made to order.

Sliding plate(right) and sliding plate(left) are not included in the set nos.

注記...針幅に () のついているセットは、特別注文部品です。

代表品番の構成内容に滑り板(右),滑り板(左)は含まれません。

TABLE OF EXCHANGING GAUGE PARTS(LU-2266N-7)

No.	Parts No.	Parts name	Remarks	Level	Cons	Qty
48	10782050	PRESSER FOOT ASM. 14MM				1
49	10782159	PRESSER FOOT ASM. 16MM				1
50	10782258	PRESSER FOOT ASM. 18MM				1
51	10782357	PRESSER FOOT ASM. 20MM				1
52	10782456	PRESSER FOOT ASM. 22MM				1
53	10782555	PRESSER FOOT ASM. 24MM				1
54	10782654	PRESSER FOOT ASM. 30MM(SP)				1
55	10782753	PRESSER FOOT ASM. 36MM				1
56	10786903	FINGER GUARD COVER (4-8MM)				1
57	10787000	FINGER GUARD COVER (10-12MM)				1
58	10787109	FINGER GUARD COVER (14-18MM)				1
59	10787208	FINGER GUARD COVER (20-24MM)				1
60	10787307	FINGER GUARD COVER (30MM)				1
61	10787406	FINGER GUARD COVER (36MM)				1
62	10783058	FEED FOOT ASM. 4MM				1
63	10783157	FEED FOOT ASM. 6MM				1
64	10783256	FEED FOOT ASM. 8MM				1
65	10783355	FEED FOOT ASM. 10MM				1
66	10783454	FEED FOOT ASM. 12MM				1
67	10783553	FEED FOOT ASM. 14MM				1
68	10783652	FEED FOOT ASM. 16MM				1
69	10783751	FEED FOOT ASM. 18MM				1
70	10783850	FEED FOOT ASM. 20MM				1
71	10783959	FEED FOOT ASM. 22MM				1
72	10784056	FEED FOOT ASM. 24MM				1
73	10784155	FEED FOOT ASM. 30MM(SP)				1
74	10784254	FEED FOOT ASM. 36MM				1
75	10784502	THROAT PLATE (4MM)				1
76	10784601	THROAT PLATE (6MM)				1
77	10784700	THROAT PLATE (8MM)				1
78	10784809	THROAT PLATE (10MM)				1
79	10784908	THROAT PLATE (12MM)				1
80	10785004	THROAT PLATE (14MM)				1
81	10785103	THROAT PLATE (16MM)				1
82	10785202	THROAT PLATE (18MM)				1
83	10785301	THROAT PLATE (20MM)				1
84	10785400	THROAT PLATE (22MM)				1
85	10785509	THROAT PLATE (24MM)				1
86	10785608	THROAT PLATE 30MM(SP)				1
87	10785707	THROAT PLATE 36MM				1
88	10786309	SLIDE PLATE LEFT 4-8MM				1
89	10786408	SLIDE PLATE LEFT 10-18MM				1
90	10786507	SLIDE PLATE LEFT 20-30MM				1
91	10786606	SLIDING PLATE LEFT 36MM				1
92	10701803	SLIDE PLATE RIGHT				1
93	10786002	SLIDE PLATE RIGHT 10-18MM				1
94	10786101	SLIDE PLATE RIGHT 20-30MM				1

TABLE OF EXCHANGING GAUGE PARTS(LU-2266N-7)

Needle width 針幅	Set number 代表品番		Needle clamp asm. 針止め(組)	Needle rod thread rack 針棒糸かけ	Feed dog 送り歯	Presser foot asm. 押え足(組)	Finger guard 指ガード					
	Ref.No	Parts No.	Ref.No	Parts No.	Ref.No	Parts No.	Ref.No	Parts No.				
(4)	1	107-84551	14	107-77555	27	107-79007	30	107-80005	43	107-81557	56	107-86903
6	2	107-84650	15	107-77654	27	107-79007	31	107-80104	44	107-81656	56	107-86903
8	3	107-84759	16	107-77753	27	107-79007	32	107-80203	45	107-81755	56	107-86903
10	4	107-84858	17	107-77852	27	107-79007	33	107-80302	46	107-81854	57	107-87000
12	5	107-84957	18	107-77951	28	107-79106	34	107-80401	47	107-81953	57	107-87000
(14)	6	107-85053	19	107-78058	28	107-79106	35	107-80500	48	107-82050	58	107-87109
(16)	7	107-85152	20	107-78157	28	107-79106	36	107-80609	49	107-82159	58	107-87109
(18)	8	107-85251	21	107-78256	28	107-79106	37	107-80708	50	107-82258	58	107-87109
20	9	107-85350	22	107-78355	29	B1403-526-000	38	107-80807	51	107-82357	59	107-87208
(22)	10	107-85459	23	107-78454	29	B1403-526-000	39	107-80906	52	107-82456	59	107-87208
(24)	11	107-85558	24	107-78553	29	B1403-526-000	40	107-81003	53	107-82555	59	107-87208
(30)	12	107-85657	25	107-78652	29	B1403-526-000	41	107-81102	54	107-82654	60	107-87307
(36)	13	107-85756	26	107-78751	29	B1403-526-000	42	107-81201	55	107-82753	61	107-87406

Needle width 針幅	Set number 代表品番		Waking foot asm. 送り足(組)	Throat plate 針板	Sliding plate (left) 滑り板(左)	Sliding plate (right) 滑り板(右)				
	Ref.No	Parts No.	Ref.No	Parts No.	Ref.No	Parts No.				
(4)	1	107-84551	62	107-83058	75	107-84502	88	107-86309	92	107-01803
6	2	107-84650	63	107-83157	76	107-84601	88	107-86309	92	107-01803
8	3	107-84759	64	107-83256	77	107-84700	88	107-86309	92	107-01803
10	4	107-84858	65	107-83355	78	107-84809	89	107-86408	93	107-86002
12	5	107-84957	66	107-83454	79	107-84908	89	107-86408	93	107-86002
(14)	6	107-85053	67	107-83553	80	107-85004	89	107-86408	93	107-86002
(16)	7	107-85152	68	107-83652	81	107-85103	89	107-86408	93	107-86002
(18)	8	107-85251	69	107-83751	82	107-85202	89	107-86408	93	107-86002
20	9	107-85350	70	107-83850	83	107-85301	90	107-86507	94	107-86101
(22)	10	107-85459	71	107-83959	84	107-85400	90	107-86507	94	107-86101
(24)	11	107-85558	72	107-84056	85	107-85509	90	107-86507	94	107-86101
(30)	12	107-85657	73	107-84155	86	107-85608	90	107-86507	94	107-86101
(36)	13	107-85756	74	107-84254	87	107-85707	91	107-86606	95	107-86200

Note...Sets having () with needle width are specially made to order.

















Sliding plate(right) and sliding plate(left) are not included in the set nos.

注記...針幅に () のついているセットは、特別注文部品です。
代表品番の構成内容に滑り板(右),滑り板(左)は含まれません。

TABLE OF EXCHANGING GAUGE PARTS(LU-2266N-7)

No.	Parts No.	Parts name	Remarks	Level	Cons	Qty
95	10786200	SLIDING PLATE RIGHT 36MM				1
96	SS8080410TP	SCREW 1/8-44 L=3.5				1
97	SS6060440TP	SCREW 3/32-56 L=3.5				1
98	SS5060310SP	SCREW 3/32-56 L=2.8				1

TABLE OF EXCHANGING GAUGE PARTS(LU-2216N-7)(1)

Walking foot 上送り足														 *01			
		Ref.No	Part No.	Ref.No	Part No.	Ref.No	Part No.	Ref.No	Part No.	Ref.No	Part No.	Ref.No	Part No.	Ref.No	Part No.	Ref.No	Part No.
Presser foot 押え足		1	107-11653	2	107-11752	3	107-11851	4	107-11950	5	107-45354	9	107-46352	13	107-12354	14	107-12057
		6	107-45453	10	107-46451												
		7	107-45552	11	107-46550												
		8	107-45651	12	107-46659												
	15	107-12552	Standard 標準 	—	—	—	—	—	—	—	—	—	—	○	—	—	—
	16	107-58456	*02	—	—	—	—	—	—	—	—	—	—	○	—	—	—
	17	107-12651	 *03	—	—	—	—	—	—	—	—	—	—	○	—	—	—
	18	107-12750	 *04	 *05	—	—	—	—	—	—	—	—	—	—	—	—	—

*01・・・Without groove.

溝無しタイプ

To be used when the thread cannot be grasped at the sewing start.

縫い始めに糸が絡みにくい時に使用

*02・・・For overlapped sections of material.

段部用

Common type for overlapped sections and flat sections,

Intermediate type between 10712552 and 10712651.

段部用・平部でも使用できる両用タイプ, 10712552と10712651の中間タイプ

*03・・・For overlapped sections of material.

段部用

To be used when overlapped sections cannot be smoothly fed.

段部での乗り越えが悪い時に使用

*04・・・For light-weight sponge.

薄いスポンジ用

To be used for resilient materials such as sponge.

スポンジ等の弾力性の有る素材に使用

*05・・・For heavy-weight sponge.

厚いスポンジ用

To be used for further resilient materials.

より弾力性の有る素材に使用

TABLE OF EXCHANGING GAUGE PARTS(LU-2216N-7)(1)

No.	Parts No.	Parts name	Remarks	Level	Cons	Qty
1	10711653	FEED FOOT ASM.				1
2	10711752	FEEDING FOOT (URETHANE)				1
3	10711851	FEEDING FOOT ASM. RIGHT				1
4	10711950	FEEDING FOOT ASM. LEFT				1
5	10745354	FEEDING FOOT (PIPING) 3MM				1
6	10745453	FEEDING FOOT (PIPING) 4MM				1
7	10745552	FEEDING FOOT (PIPING) 5MM				1
8	10745651	FEEDING FOOT (PIPING) 6MM				1
9	10746352	FEEDING FOOT (PIPING) 3MM ADJUSTABLE				1
10	10746451	FEEDING FOOT (PIPING) 4MM ADJUSTABLE				1
11	10746550	FEEDING FOOT (PIPING) 5MM ADJUSTABLE				1
12	10746659	FEEDING FOOT (PIPING) 6MM ADJUSTABLE				1
13	10712354	FEED FOOT ASM.				1
14	10712057	FEED FOOT ASM.				1
15	10712552	PRESSER FOOT ASM.				1
16	10758456	PRESSER FOOT ASM.				1
17	10712651	PRESSER FOOT ASM				1
18	10712750	PRESSER FOOT URETHANE				1

TABLE OF EXCHANGING GAUGE PARTS(LU-2216N-7)(2)

Walking foot 上送り足																		
		Ref.No	Part No.	Ref.No	Part No.	Ref.No	Part No.	Ref.No	Part No.	Ref.No	Part No.	Ref.No	Part No.	Ref.No	Part No.	Ref.No	Part No.	
Presser foot 押え足		1	107-11653	2	107-11752	3	107-11851	4	107-11950	5	107-45354	9	107-46352	13	107-12354	14	107-12057	
		6	107-45453	7	107-45552	8	107-45651	10	107-46451	11	107-46550	12	107-46659					
		15	107-12859	—	—		—	—	—	—	—	—	—	—	—	—	—	—
		16	107-12958	—	—	—		—	—	—	—	—	—	—	—	—	—	—
	17	107-47350	—	—	—	—	—	—		Adjustable 調整式		—	—	—	—	—	—	
	18	107-47459	—	—	—	—	—	—	—		—	—	—	—	—	—	—	
	19	107-47558	—	—	—	—	—	—	—	—	—	—	—	—	—	—	—	
	20	107-47657	—	—	—	—	—	—	—	—	—	—	—	—	—	—	—	
	21	107-13055	—	—	—	—	—	—	—	—	—	—	—	—	—	—	*06	

Feed dog 送り歯				
Standard 標準	*01	For fine thread 細糸用	Wide type 幅広タイプ	
Ref.No	22	23	24	25
Part No.	107-17106	107-17205	107-17304	107-39001

Throat plate 針板		
Standard 標準	Wide type 幅広タイプ	
Ref.No	26	27
Part No.	107-01704	107-02009

For machining 加工用				Swing edge guide 吊り定規
To be machined to a walking foot. 送り足加工用	Type B to be machined to a walking foot. 送り足加工用B	Type A to be machined to a walking foot. 送り足加工用A		
Ref.No	28	29	30	31
Part No.	107-12255	107-48358	107-13253	MAH-152010A0

*01...Without groove.

溝無しタイプ

To be used when the thread cannot be grasped at the sewing start.
縫い始めに糸が絡みにくい時に使用

*02...Right-edge presser.

右片押え

To be used to sew edges of material.
エッジを縫製する場合に使用

*03...Left-edge presser.

左片押え

To be used to sew edges of material.
エッジを縫製する場合に使用

*04...For piping.

パイピング用

To be used for general piping processes.
一般のパイピング工程に使用

*05...For piping.

パイピング用

Permits adjustment of the needle position with respect to the pipe.
パイプに対する針の位置が調整出来ます。

*06...Wide type.

幅広タイプ

To be used when a sewing product cannot be smoothly fed.
縫製物の送りが悪い場合に使用

TABLE OF EXCHANGING GAUGE PARTS(LU-2216N-7)(2)

No.	Parts No.	Parts name	Remarks	Level	Cons	Qty
1	10711653	FEED FOOT ASM.				1
2	10711752	FEEDING FOOT (URETHANE)				1
3	10711851	FEEDING FOOT ASM. RIGHT				1
4	10711950	FEEDING FOOT ASM.,LEFT				1
5	10745354	FEEDING FOOT (PIPING) 3MM				1
6	10745453	FEEDING FOOT (PIPING) 4MM				1
7	10745552	FEEDING FOOT (PIPING) 5MM				1
8	10745651	FEEDING FOOT (PIPING) 6MM				1
9	10746352	FEEDING FOOT (PIPING) 3MM ADJUSTABLE				1
10	10746451	FEEDING FOOT (PIPING) 4MM ADJUSTABLE				1
11	10746550	FEEDING FOOT (PIPING) 5MM ADJUSTABLE				1
12	10746659	FEEDING FOOT (PIPING) 6MM ADJUSTABLE				1
13	10712354	FEED FOOT ASM.				1
14	10712057	FEED FOOT ASM.				1
15	10712859	FEEDING FOOT RIGHT				1
16	10712958	PRESSER FOOT LEFT				1
17	10747350	PRESSER FOOT (PIPING) 3MM				1
18	10747459	PRESSER FOOT (PIPING) 4MM				1
19	10747558	PRESSER FOOT (PIPING) 5MM				1
20	10747657	PIPING FOOT 6MM				1
21	10713055	FEED FOOT ASM.				1
22	10717106	FEED DOG				1
23	10717205	FEED DOG W10 GROOVE				1
24	10717304	FEED DOG (THIN THREAD)				1
25	10739001	FEED DOG				1
26	10701704	THROAT PLATE				1
27	10702009	THROAT PLATE				1
28	10712255	FEED FOOT ASM.				1
29	10748358	PRESSER FOOT ASM.				1
30	10713253	PRESSER FOOT ASM.				1
31	MAH152010A0	RULER				1

HOW TO MAKE USE OF THIS PARTS LIST

1.Explanation of codes

1)"*"mark.....means this part is changed from the previous parts book.

As to the details of the change, refer to the "List for information of change".

2)"#01".....refer to "Note" explanation at bottom of page.

2.Codes on the "Qty" column

- Each numeral indicates the number of parts required.
- "0.1" and "2.5" indicate the length (in meters) of the respective parts.

3.Parentheses mean that the corresponding part is a subpart that constructs an assembly part.

4.Dotted lines on the Figures indicate assembly parts.

1."注記"欄の記号説明

1) "*"印.....前回のパーツブックに比較して今回変更された部品を意味します。

変更内容は、"変更情報リスト"を参照してください。

2) "#01".....ページ下の"注記"の説明を参照してください。

2.数量欄の数字は、個数を表し、0.1、2.5等の数値は、長さ（単位メートル）を表します。

3.数量欄の（ ）は、組部品を構成している子部品であることを意味します。

4.イラストページの-----枠は、組構成であることを意味します。

NUMERICAL INDEX OF PARTS

PART NO	PAGE	REF NO.	PART NO	PAGE	REF NO.	PART NO	PAGE	REF NO.
10088003	40	30	10702553	36	2	10710200	14	58
10109809	14	62	10702561	36	1	10710309	12	8
10109809	28	13·18~ 21	10702603	36	32	10710408	12	15
10109809	32	13·18~ 21	10702702	36	52	10710507	12	18
10111201	28	13·18~ 21	10702702	38	52	10710606	12	19
10111201	32	13·18~ 21	10702801	36	53	10710705	12	20
10112506	28	13·18~ 21	10702801	38	53	10710804	12	28
10112506	32	13·18~ 21	10703106	36	26	10710903	14	69
10112605	28	13·18~ 21	10703205	36	47	10710903	18	35
10112605	32	13·18~ 21	10703304	36	17	10711000	12	11
10112605	28	13·18~ 21	10703452	40	13	10711117	12	23
10112605	32	13·18~ 21	10703502	40	1	10711406	22	28
10112704	28	13·18~ 21	10703601	40	3	10711406	26	20
10112704	32	13·18~ 21	10703700	40	4	10711406	62	8
10119907	16	38	10703809	40	14	10711653	56	7
10123701	48	79	10703908	40	5	10711653	72	1
10124204	40	35	10704005	40	19	10711653	74	1
10126803	46	12	10704104	40	29	10711752	72	2
10320109	36	3	10704153	40	28	10711752	74	2
10320208	36	33	10704609	2	44	10711851	72	3
10502300	40	22	10704757	6	6	10711851	74	3
10523702	6	39	10704807	40	20	10711950	72	4
10527901	48	66	10704955	6	8	10711950	74	4
10539906	52	6	10704963	6	10	10712057	72	14
10591709	8	56	10705002	6	12	10712057	74	14
10700508	2	37	10705606	6	30	10712255	74	28
10700706	2	9	10705754	6	29	10712354	72	13
10701308	2	17	10706315	8	53	10712354	74	13
10701654	56	1	10706703	6	16	10712552	56	9
10701654	58	1	10707156	6	37	10712552	72	15
10701704	56	2	10707206	6	46	10712651	72	17
10701704	74	26	10707305	8	48	10712750	72	18
10701803	56	5	10707958	6	42	10712859	74	15
10701803	68	92	10708204	10	2	10712958	74	16
10701902	56	6	10708303	6	18	10713055	74	21
10702009	56	3	10708501	10	16	10713253	74	30
10702009	74	27	10708907	14	68	10713501	14	65
10702108	46	45	10709152	10	9	10713766	12	26
10702207	48	65	10709202	10	11	10713808	12	31
10702405	36	7	10709350	10	13	10713907	12	33
			10709400	10	15	10714004	12	35
			10709608	12	25	10714103	12	36
			10709707	12	1	10714202	12	37
			10710002	14	52	10714400	12	42
			10710101	14	53	10714905	14	50

NUMERICAL INDEX OF PARTS

PART NO	PAGE	REF NO.	PART NO	PAGE	REF NO.	PART NO	PAGE	REF NO.
10715258	14	54	10722353	28	26	10726404	26	3
10715506	42	9	10722353	32	26	10726503	22	2
10715605	42	6	10722403	28	1	10726503	26	2
10715704	4	64	10722601	30	62	10726552	22	1
10715902	42	12-13	10722601	34	59	10726552	26	1
10716009	42	2	10722809	30	61	10726800	22	7
10716108	42	17	10722809	34	58	10726800	26	9
10716207	42	18	10722908	30	54	10726909	22	4
10716504	14	59	10722908	34	51	10726909	26	5
10716603	42	15	10723013	30	57	10727105	46	31
10717106	56	11	10723013	34	54	10727154	46	6
10717106	74	22	10723104	30	66	10727162	46	30
10717205	74	23	10723104	34	63	10727204	46	32
10717304	74	24	10723203	30	58	10727303	46	34
10717502	18	1	10723203	34	55	10727709	22	22
10717668	18	2	10723302	30	55	10727709	26	37
10718005	18	36	10723302	34	52	10727808	22	16
10718153	18	33	10723401	30	56	10727857	22	15
10718203	18	16	10723401	34	53	10727907	22	46
10718302	42	12-13	10723500	30	67	10728103	22	26
10718351	42	4-5	10723500	34	64	10728103	26	19
10718401	16	31	10723708	28	27	10728152	22	25
10718500	18	43	10723708	32	27	10728152	26	18
10718658	18	8	10723807	28	23-24-28	10728160	22	24
10718906	18	11	10723807	32	23-24-28	10728160	26	17
10718906	64	8	10723906	28	30	10728301	22	35
10719052	18	18	10723906	32	30	10728400	30	64
10719201	18	20	10724201	28	34	10728400	34	61
10719300	18	23	10724201	32	34	10728509	30	59
10719508	18	28	10724706	28	47	10728509	34	56
10719656	18	21	10724706	32	47	10728707	30	63
10719664	18	19	10724805	28	39	10728707	34	60
10719706	20	50	10724805	32	39	10728806	44	7
10719805	20	51	10725000	28	40	10729010	44	1
10719953	18	30	10725000	32	40	10729606	44	20
10719961	18	29	10725158	28	42	10729754	44	14
10720001	18	32	10725158	32	42	10729952	44	21
10720407	16	7	10725307	16	8	10730109	44	23
10720555	16	5	10725604	28	44	10730703	44	29
10720605	16	13	10725604	32	44	10731404	46	2
10721009	16	19	10726107	28	7	10731701	2	29
10721207	16	34	10726107	32	8	10732204	22	38
10721306	16	16	10726305	22	8	10732402	48	49
10721504	16	9	10726305	26	10	10732600	48	50
10722007	16	23	10726404	22	3	10733004	46	4

NUMERICAL INDEX OF PARTS

PART NO	PAGE	REF NO.	PART NO	PAGE	REF NO.	PART NO	PAGE	REF NO.
10733103	2	43	10745354	72	5	10759603	30	69
10733509	16	25	10745354	74	5	10759603	34	66
10733608	48	61	10745453	72	6	10759603	60	12·13
10733707	48	62	10745453	74	6	10760304	46	20
10733806	10	20	10745552	72	7	10760502	48	84
10734119	48	64	10745552	74	7	10761203	30	68
10734309	48	68	10745651	72	8	10761203	34	65
10734606	48	58	10745651	74	8	10761252	30	53
10734853	52	4	10745800	2	40	10761252	34	50
10735900	62	6	10745909	6	20	10770303	28	25
10735959	62	5	10746352	72	9	10770352	28	4
10736007	62	11	10746352	74	9	10770402	28	22
10736403	64	2	10746451	72	10	10770402	32	22
10736908	44	31	10746451	74	10	10770501	28	43
10737302	64	12	10746550	72	11	10770501	32	43
10739001	74	25	10746550	74	11	10771251	6	36
10739209	46	35	10746659	72	12	10771301	46	23
10739308	28	23·24·28	10746659	74	12	10771509	46	18
10739308	32	23·24·28	10746709	18	5	10771707	32	25
10739407	28	23·24·28	10746907	48	78	10771756	32	4
10739407	32	23·24·28	10747350	74	17	10771806	26	15
10739506	14	70	10747459	74	18	10771905	26	24
10740611	50	24	10747558	74	19	10772002	26	29
10740710	50	20	10747657	74	20	10772101	26	31
10740801	50	40	10748002	8	57	10772200	26	33
10740900	52	2	10748101	52	17	10772309	22	12
10741007	6	14	10748358	74	29	10772408	32	36
10741106	36	45	10748507	50	25	10772507	26	26
10741452	36	34	10751303	12	38	10772705	32	1
10741502	36	20	10752418	30	65	10772804	22	11
10741601	36	13	10752418	34	62	10772804	26	35
10741759	22	39	10753002	46	36	10773109	38	56
10741908	50	36	10753150	56	13	10773356	36	30
10742005	52	5	10754505	22	19	10773364	36	29
10742203	60	8	10754604	24	48	10773406	36	46
10742302	52	1	10754802	6	38	10773505	36	31
10742708	2	10	10754901	2	42	10773703	36	41
10743003	2	7	10755155	52	20	10773802	36	42
10743151	2	1	10755205	52	19	10774008	2	34
10743300	42	1	10755403	46	38	10774305	4	59
10744308	16	24	10755502	44	27	10774354	4	58
10744506	64	17	10755601	28	6	10774404	4	60
10744704	36	36	10755601	32	7	10774602	4	52
10744803	36	37	10755700	2	22	10774651	4	51
10744902	36	11	10758456	72	16	10775302	28	36

NUMERICAL INDEX OF PARTS

PART NO	PAGE	REF NO.	PART NO	PAGE	REF NO.	PART NO	PAGE	REF NO.
10775401	38	35-58	10781854	66	46	10785509	68	85
10775500	6	27	10781953	66	47	10785558	66	11
10775609	8	52	10782050	68	48	10785608	68	86
10775658	8	51	10782159	68	49	10785657	66	12
10775807	64	5	10782258	68	50	10785707	68	87
10775906	64	7	10782357	68	51	10785756	66	13
10776656	6	32	10782456	68	52	10786002	58	4
10777308	2	18	10782555	68	53	10786002	68	93
10777407	60	24	10782654	68	54	10786101	68	94
10777555	66	14	10782753	68	55	10786200	70	95
10777654	66	15	10783058	68	62	10786309	68	88
10777753	66	16	10783157	68	63	10786408	58	5
10777803	58	13	10783256	68	64	10786408	68	89
10777852	58	12	10783355	58	6	10786507	68	90
10777852	66	17	10783355	68	65	10786606	68	91
10777951	66	18	10783454	68	66	10786903	68	56
10778058	66	19	10783553	68	67	10787000	68	57
10778157	66	20	10783652	68	68	10787109	68	58
10778256	66	21	10783751	68	69	10787208	68	59
10778355	66	22	10783850	68	70	10787307	68	60
10778454	66	23	10783959	68	71	10787406	68	61
10778553	66	24	10784056	68	72	11020401	6	22
10778652	66	25	10784155	68	73	11020500	6	24
10778751	66	26	10784254	68	74	11020609	6	23
10779007	58	15	10784502	68	75	11045101	36	44
10779007	66	27	10784551	66	1	11072402	36	43
10779106	66	28	10784601	68	76	12347308	60	2~5
10780005	66	30	10784650	66	2	13110101	44	40
10780104	66	31	10784700	68	77	13707500	18	39
10780203	66	32	10784759	66	3	21054903	46	44
10780302	58	10	10784809	58	2	21124201	48	71
10780302	66	33	10784809	68	78	21379003	52	13
10780401	66	34	10784858	66	4	22603708	2	35
10780500	66	35	10784908	68	79	22901805	24	51
10780609	66	36	10784957	66	5	22907802	44	17
10780708	66	37	10785004	68	80	22908909	12	29
10780807	66	38	10785053	66	6	22917009	22	34
10780906	66	39	10785103	68	81	22917009	26	13
10781003	66	40	10785152	66	7	22931604	60	11
10781102	66	41	10785202	68	82	22933006	60	2~5
10781201	66	42	10785251	66	8	22933105	60	2~5
10781557	66	43	10785301	68	83	22933204	60	2~5
10781656	66	44	10785350	66	9	22949101	16	14
10781755	66	45	10785400	68	84	23151202	52	9
10781854	58	8	10785459	66	10	23151301	2	4

NUMERICAL INDEX OF PARTS

PART NO	PAGE	REF NO.	PART NO	PAGE	REF NO.	PART NO	PAGE	REF NO.
23151400	2	26	40024858	50	2	40101351	26	12
23151509	24	50	40024969	50	1	40101742	60	28
23151509	46	25	40025036	60	25	40102736	60	16
23151707	2	16	40025299	52	11	40103915	50	23
23152663	10	4	40025300	52	14	40107618	50	17
23152705	6	40	40026733	50	28	40107949	12	30
23152754	6	35	40026734	50	30	40108542	4	61
23152853	6	41	40026735	50	27	40113091	36	12
23152903	6	2	40026736	50	29	40113092	40	34
23153109	10	7	40026740	50	26	40113224	8	60
23153208	10	5	40026920	60	31	40130995	12	5
23153307	6	45	40038722	50	12	40132151	12	7
23153406	10	25	40038723	50	16	40132152	12	4
23153505	10	1	40049863	60	29	40132153	12	10
23153901	6	1	40052240	12	14	B1111563000	2	30
23154057	8	65	40052241	16	12	B1114280000	16	39
23154107	8	67	40052244	30	49	B1148141H00	16	32
23154404	6	17	40052251	4	53	B1150490000	2	32
23154552	8	75	40052253	28	2	B1215804000	28	8
23154602	6	4	40052253	32	2	B1215804000	32	9
23154701	8	69	40052254	64	15	B1308055000	8	58
23154800	8	74	40052255	16	1	B1310055000	8	59
23155005	18	15	40052256	60	30	B1314055000	8	61
23155104	18	46	40052258	18	4	B1403526000	66	29
23155203	12	45	40052259	44	35	B1504210000	62	13
23155203	20	49	40052260	42	10	B152652700G	4	65
23155401	16	35	40052262	60	9	B1636158000	8	71
23155500	16	2	40052263	12	32	B1639158000	8	72
23155708	18	17	40052264	44	11	B1648122000	48	57
23155955	16	18	40052266	8	63	B2311019000	26	28
23156102	12	44	40052267	16	33	B3031141H00	22	30
23156201	14	73	40059695	52	23	B3031141H00	26	22
23156300	14	71	40063991	28	45	B3031141H00	62	10
23156409	14	56	40063991	32	45	B3126012000	36	40
23156508	14	48	40063992	30	48	B3128526000	36	35-58
23156904	44	13	40063992	32	5	B3129012A00	36	10
23157506	44	3	40064240	42	4-5	B3129053000	36	38
23157605	44	5	40064519	6	31	B3132552000	36	39
23158207	52	8	40073870	2	15	B3138512000	2	24
23159254	48	77	40079568	48	74	B3205210000	40	7
26017400	16	17	40082707	46	41	B3207210000	40	16
26910059	54	3	40084142	2	20	B3208210000	40	18
26910158	54	2	40096354	54	1	B3211210000	40	10
40023289	16	36	40100943	4	49	B3212210000	40	11
40024852	4	66	40101351	22	32	B3216047000	36	14

NUMERICAL INDEX OF PARTS

PART NO	PAGE	REF NO.	PART NO	PAGE	REF NO.	PART NO	PAGE	REF NO.
B3216047000	40	32	E8760452D00	50	42	NS6110310SP	38	49
B3416552000	14	63	E8760452K00	50	32	NS6110310SP	40	31
B3510019000	2	45	EA9500B0000	46	80	NS6110350SP	46	16
B3521245000	46	14	EA9500B0000	48	80	NS6110360SP	40	12
B3525357000	46	42	EA9500B0100	4	54	NS6150430SP	42	16
B3534012000	46	43	EA9500B0100	48	82	NS6150430SP	60	17
B3538112000	4	55	EA9500B0100	50	33	NS6150430SP	64	14
B3538112000	64	24	EA9500B0200	22	42	NS6150540SP	64	4
B8213012000	52	7	EA9500B0200	48	81	NS6620310SP	60	10
B8228125000	46	33	GAK29009000	50	14	PA250200600	62	1
B9101552000	60	1	GAK29010000	50	4	PA320150200	64	19
B91210120A0	60	7	GAKA1503000	50	5	PA400200200	44	32
BP600000000	42	11	GAKA2302C00	50	3	PF0552170A0	50	15
BT0400251EA	48	55	HK034610100	50	7	PJ301065104	44	33
BT0500300E0	46	76	HK034610120	22	45	PJ304060505	62	2
BT0500300E0	48	76	HK034610160	50	34	PJ304065101	64	21
BT0600401EB	50	13	HK03464000A	50	31	PS0150065KP	58	17
BT0600401EB	62	14	HK03464000B	22	44	PS0200102KH	40	17
BT0600402EA	16	21	HK03464000B	44	6	PS0300082KH	42	7
BT0600402EA	46	53	HR029101520	50	37	PS0400322KP	16	11
BT0600402EA	48	53	HW000840080	50	41	PS0500452KP	44	28
BT0630520Z0	60	20	HW200250000	50	35	PX015101000	64	22
BT0800602E0	46	72	HW500140000	22	37	PX050501000	62	3
BT0800602E0	48	72	HX00123000A	50	45	RC0560711KP	12	22
CM300200001	2	6	HX002950000	50	9	RC0650811KP	18	13
CM301200001	2	47	HX00295000A	44	39	RC0650811KP	64	9
CQ200000000	44	12	HX00295000A	50	10	RC0740811KP	14	67
CQ202000000	10	24	HX00295000B	44	38	RC1200001KP	42	3
CQ202000000	14	72	HX00295000B	50	11	RC1200001KP	44	9
CQ202000000	18	42	MAH152010A0	74	31	RE0320000K0	62	9
CQ202000000	48	56	MAO11532000	60	27	RE0400000K0	8	73
CQ252000000	12	12	MC321001400	10	18	RE0400000K0	12	13
CQ252000000	48	67	MC321001402	60	14·15	RE0400000K0	16	15
CS1201011SH	16	22	MDFRX1600C0	60	6	RE0400000K0	28	14
CS1201011SH	44	25	MTJVH00420A	60	23	RE0400000K0	32	14
CS1501011TH	12	46	MTSP00700B0	60	22	RE0500000K0	14	64
CS1501011TH	18	37	NM6030001SC	52	16	RE0500000K0	18	45
D2430555B00	40	15	NM6040001SC	22	43	RE0500000K0	42	8
D2515232D00	16	37	NM6040001SN	6	43	RE0600000K0	10	12
D2611555B00A	48	85	NM6040003SC	36	54	RO068190100	48	73
D2611555B00A	50	43	NM6040003SC	38	54	RO098240100	28	32
D3168555H0B	36	15	NM6060001SE	64	16	RO098240100	32	32
D3168555H0B	40	33	NM6080001SE	44	37	RO118240100	16	20
D7101245E00	60	18	NM6860003SC	50	39	RO294310100	6	34
D7102245E00	60	19	NS6110310SP	36	49	RO312240100	8	50

NUMERICAL INDEX OF PARTS

PART NO	PAGE	REF NO.	PART NO	PAGE	REF NO.	PART NO	PAGE	REF NO.
RO357350100	28	17	SM6040552TP	58	7	SM8050502TP	26	32
RO357350100	32	17	SM6040602TP	22	31	SM8050502TP	28	46
SB110000900	28	9	SM6040602TP	26	36	SM8050502TP	32	46
SB110000900	32	10	SM6040802TP	26	34	SM8050602TP	12	41
SB110001000	28	10	SM6040802TP	32	37	SM8050602TP	22	14
SB110001000	32	11	SM6040802TP	56	10	SM8050602TP	30	60
SB115000400	28	11	SM6040802TP	58	9	SM8050602TP	34	57
SB115000400	32	12	SM6041002TP	28	37	SM8050602TP	40	21
SB115000900	28	12	SM6041012TP	10	17	SM8060552TP	18	31
SD0470281SP	36	50	SM6041202TP	22	23	SM8060602TP	6	55
SD0470281SP	38	50	SM6041202TP	26	27	SM8060602TP	8	55
SD0500301SP	26	30	SM6044500SP	62	4	SM8060602TP	16	26
SD0500481TP	22	20	SM6050802TP	44	4	SM8061212TP	8	49
SD0500721SP	22	29	SM6050802TP	48	51	SM8080802TP	6	13
SD0500721SP	26	23	SM6050802TP	62	12	SM8080812TP	6	3
SD0640322TP	8	62	SM6051002TP	12	43	SM9081050SE	44	30
SD0700332SP	42	14	SM6051402TP	14	55	SQ1110401MZ	6	25
SD0720331SP	44	36	SM6051402TP	22	27	SQ11150451MZ	6	26
SD0790203SP	44	2	SM6051402TP	26	21	SQ11150451MZ	28	33
SD0791271SP	64	13	SM6051402TP	28	3	SQ11150451MZ	32	33
SD0800352SP	64	3	SM6051402TP	32	3	SQ11150501SD	28	38
SD0800402TP	64	10	SM6051402TP	44	15	SQ11150501SD	32	38
SD0901201TP	44	8	SM6051402TP	62	7	SQ1680701MZ	48	83
SK3241601SC	52	10	SM6051602TP	8	66	SS1110840SP	28	35
SK3385001SE	50	19	SM6052502TP	24	52	SS1110840SP	32	35
SK3482500SC	52	22	SM6052502TP	26	7	SS2090710TP	2	46
SK3482501SE	50	44	SM6054502TP	44	34	SS2090810SP	2	21
SK3483201SE	52	26	SM6061202TP	44	24	SS2110915SP	56	4
SK3514000SC	60	26	SM6061210SC	44	22	SS2110915SP	58	3
SL4040881SC	4	56	SM6061210SC	46	39	SS3061310SP	38	51
SM1040801SC	10	21	SM6061552TP	18	34	SS5060310SP	70	98
SM3030650SC	6	21	SM6061602TP	12	34	SS5090420SP	36	57
SM3031401SE	52	15	SM6061650TP	18	3	SS5090420SP	38	57
SM4030601SC	28	31	SM6061802TP	64	20	SS5150510SP	52	21
SM4030601SC	32	31	SM6062002TP	30	51	SS6060440TP	58	16
SM4040601SB	24	49	SM6062002TP	34	48	SS6060440TP	70	97
SM4040601SC	48	63	SM6062502TP	16	3	SS6080610TP	28	41
SM4061001SB	50	18	SM6064002TP	18	47	SS6080610TP	32	41
SM4861201SC	50	38	SM6065002TP	8	76	SS6081210SP	48	59
SM6021000TP	46	37	SM8030402TP	8	64	SS6090620SP	40	23
SM6030602TP	10	26	SM8030402TP	18	12	SS6110610TP	50	22
SM6030802TP	22	9	SM8040502TP	8	54	SS6110630TP	4	62
SM6030802TP	26	11	SM8040602TP	40	6	SS6111010SP	56	12
SM6031202TP	22	36	SM8040802TP	22	21	SS6111010SP	58	11
SM6040552TP	56	8	SM8050502TP	12	40	SS6111140SP	22	41

NUMERICAL INDEX OF PARTS

PART NO	PAGE	REF NO.	PART NO	PAGE	REF NO.	PART NO	PAGE	REF NO.
SS6111140SP	28	16	SS8080610SP	32	15	WP0621016SH	30	52
SS6111140SP	32	16	SS8110422TP	18	7	WP0621016SH	34	49
SS6111620SP	48	75	SS8110422TP	22	33	WP0641601SD	64	23
SS6121010SP	2	27	SS8110422TP	26	14	WP0651056SH	30	50
SS6121010SP	14	49	SS8111610SP	40	26	WP0651056SH	40	8
SS6121010SP	36	28	SS8120740SP	6	47	WP0740516SP	18	14
SS6121010SP	46	26	SS8120740SP	10	19	WP1221016SP	44	10
SS6121010SP	50	46	SS8120740SP	12	66	WS0410002KN	62	15
SS6121050SP	12	16	SS8120740SP	14	66	WS0510002KN	44	16
SS6121210SP	2	38	SS8120740SP	42	19	WT0530002KS	2	39
SS6121860SP	8	68	SS8150510TP	6	44	WT0530002KS	22	40
SS6121860SP	16	28	SS8150750SP	46	19	WZ1052010KP	4	63
SS6122510SP	14	74	SS8150822TP	6	15			
SS6123010SP	2	12	SS8151150TP	8	70			
SS6151412TP	10	14	SS8660410SP	12	47			
SS6151412TP	18	9	SS8660410SP	18	38			
SS6151440SP	64	18	SS8660512TP	6	5			
SS6152440SP	10	10	SS8660610TP	16	29			
SS6621220SP	6	19	SS8660610TP	44	26			
SS7060610SP	22	6	SS8660810TP	12	27			
SS7060610SP	26	6	SS8661012TP	18	22			
SS7080510TP	12	57	TA0750704R0	4	48			
SS7080510TP	14	57	TA1050504R0	2	19			
SS7090520SP	2	25	TA1050504R0	20	48			
SS7090910TP	44	18	TA1250406R0	2	3			
SS7110340SP	40	27	TA1250504R0	2	36			
SS7110510SP	2	41	TA1450404R0	46	1			
SS7110510SP	52	24	TA2050406R0	2	57			
SS7110710SP	60	21	TA2050406R0	4	57			
SS7110810SP	16	10	WP0320501SC	22	10			
SS7110810SP	40	9	WP0320501SC	26	38			
SS7110910SP	16	27	WP0320501SC	36	55			
SS7110910TP	2	33	WP0320501SC	38	55			
SS7112420SP	10	6	WP0320501SC	48	60			
SS7120710SP	14	51	WP0320501SC	52	18			
SS7120710SP	50	21	WP0371016SD	44	19			
SS7121410TP	14	60	WP0450000SD	10	22			
SS7121610SP	2	13	WP0450846SP	62	16			
SS7121610SP	16	30	WP0482086SD	38	48			
SS7620750SP	16	4	WP0501046SC	52	25			
SS7621040SP	40	36	WP0520656SA	24	47			
SS8080410TP	10	3	WP0520656SA	26	8			
SS8080410TP	58	14	WP0520656SA	40	25			
SS8080410TP	70	96	WP0531001SC	40	24			
SS8080610SP	28	15	WP0621016SD	64	25			