

MODEL : LK-1942

List No : 1286-00

# PARTS LIST

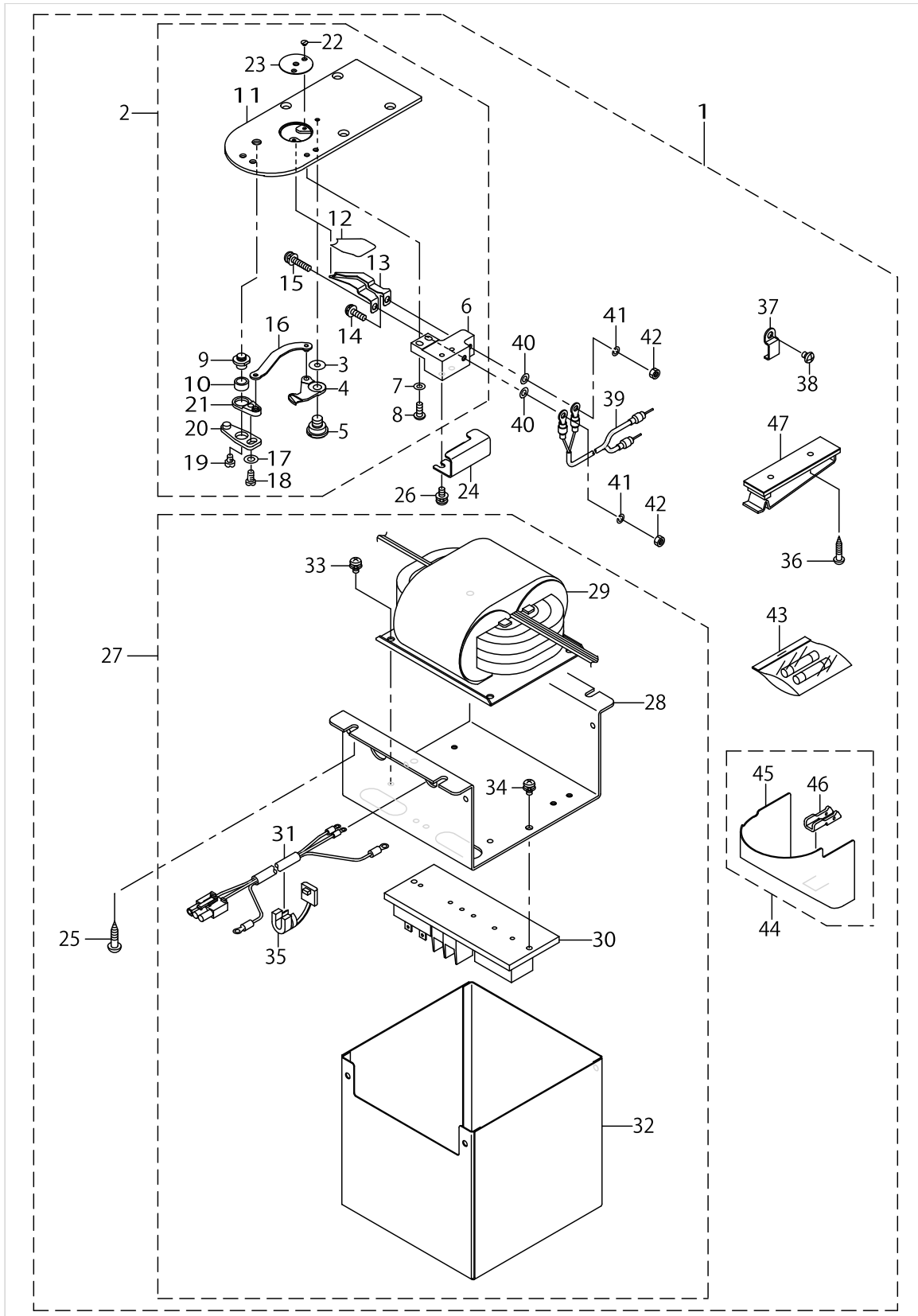
Published:09/10/2017

## CONTENTS

---

HOT WIRE THREAD TRIMMER UNIT FOR LK-1942 .....	1
HOW TO MAKE USE OF THIS PARTS LIST .....	3

HOT WIRE THREAD TRIMMER UNIT FOR LK-1942



## HOT WIRE THREAD TRIMMER UNIT FOR LK-1942

No.	Parts No.	Parts name	Remarks	Level	Cons	Qty
1	14447056	HOT WIRE THREAD TRIMMER UNIT				1
2	14439350	THROAT PLATE ASM.		*		1
3	B242328000B	MOVING KNIFE WASHER B		*		1
4	14441208	MOVING KNIFE		*		1
5	B2417210000	MOVING KNIFE HINGE SCREW		*		1
6	14441802	HOT WIRE BASE		*		1
7	WP0371016SD	WASHER 3.7X8X1		*		2
8	SS4091015SP	SCREW 9/64-40 L=10		*		2
9	B2417280000	THREAD CUTTER LEVER SHAFT		*		1
10	B2416280000	THREAD CUTTING LEVER RING		*		1
11	14439103	NEEDLE PLATE		*		1
12	14441703	INSULATING SEAT		*		1
13	14441505	HOT WIRE PLATE		*		1
14	SL4041481SC	SCREW M4X0.7 L=14		*		1
15	SL4042081SC	SCREW		*		1
16	14440457	MOVING KNIFE LINK COMPL.		*		1
17	WP0450846SP	WASHER		*		1
18	SS7110740TP	SCREW 11/64-40 L=7		*		1
19	SS6110430TP	SCREW 11/64-40 L= 4.0		*		1
20	B24142800A0	THREAD CUTTER LEVER ASM., LARG		*		1
21	14440556	LEVER TYPE COMPL.		*		1
22	SS1060210TP	SCREW 3/32-56 L=2.2		*		2
23	14440002	ELLIPSE NEEDLE HOLE GUIDE		*		1
24	14441901	HOT WIRE BASE COVER		*		1
25	SK3482001SE	WOOD SCREW D=4.8 L=20		*		4
26	SL4041091SC	SCREW M4 L=10		*		2
27	M85215940A0	HEATER UNIT ASM.		*		1
28	M1022594000	TRANSFORMER FITTING BASE		*		1
29	M89025940A0	HEATER TRANSFORMER ASM.		*		1
30	M85225940A0	HEATER SWITCH ASM.		*		1
31	M90215940A0	HEATER POWER SOURCE CORD ASM.		*		1
32	MAT00616000	CONTROL UNIT COVER		*		1
33	SL4040881SF	SCREW M4 L=8		*		4
34	SL4040881SF	SCREW M4 L=8		*		2
35	HX004100000	BUSH		*		1
36	SK3382001SE	SCREW D=3.8 L=20		*		2
37	B3509210000	OIL TUBE HOLDER C		*		3
38	SS4110515SP	SCREW 11/64-40 L=5		*		3
39	14442255	HEATER CORD ASM.		*		1
40	WP0430800SC	WASHER M4		*		2
41	WS0410002KN	SPRING WASHER		*		2
42	NM6040000SN	NUT M4		*		2
43	M85995940A0	ACCESSORIE PART ASM.		*		1
44	14435358	HOOK COVER ASM.		*		1
45	14435309	HOOK COVER		*		1
46	13508601	CYLINDER ARM CAP PLATE		*		1
47	M964051000A	CABLE CLIP		*		1

## HOW TO MAKE USE OF THIS PARTS LIST

1.As to "#01" and "#02" refer to the "Note" given at the bottom of the respective pages.

2.Codes on the "Qty" column

- Each numeral indicates the number of parts required.
- "0.1" and "2.5" indicate the length (in meters) of the respective parts.

3.Parentheses mean that the corresponding part is a subpart that constructs an assembly part.

4.Dotted lines on the Figures indicate assembly parts.

1. リストページの# 0 1、# 0 2の印は、ページ下の"注記"の説明を参照下さい。
2. 数量欄の数字は、個数を表し、0. 1、2. 5等の数値は、長さ（単位メートル）を表します。
3. 数量欄の（ ）は、組部品を構成している子部品であることを意味します。
4. イラストページの-----枠は、組構成であることを意味します。

NUMERICAL INDEX OF PARTS

PART NO	PAGE	REF NO.	PART NO	PAGE	REF NO.
13508601	2	46	WS0410002KN	2	41
14435309	2	45			
14435358	2	44			
14439103	2	11			
14439350	2	2			
14440002	2	23			
14440457	2	16			
14440556	2	21			
14441208	2	4			
14441505	2	13			
14441703	2	12			
14441802	2	6			
14441901	2	24			
14442255	2	39			
14447056	2	1			
B24142800A0	2	20			
B2416280000	2	10			
B2417210000	2	5			
B2417280000	2	9			
B242328000B	2	3			
B3509210000	2	37			
HX004100000	2	35			
M1022594000	2	28			
M85215940A0	2	27			
M85225940A0	2	30			
M85995940A0	2	43			
M89025940A0	2	29			
M90215940A0	2	31			
M964051000A	2	47			
MAT00616000	2	32			
NM6040000SN	2	42			
SK3382001SE	2	36			
SK3482001SE	2	25			
SL4040881SF	2	34			
SL4041091SC	2	26			
SL4041481SC	2	14			
SL4042081SC	2	15			
SS1060210TP	2	22			
SS4091015SP	2	8			
SS4110515SP	2	38			
SS6110430TP	2	19			
SS7110740TP	2	18			
WP0371016SD	2	7			
WP0430800SC	2	40			
WP0450846SP	2	17			