

MODEL : AVP-875/AW-2

List No : 1285-02

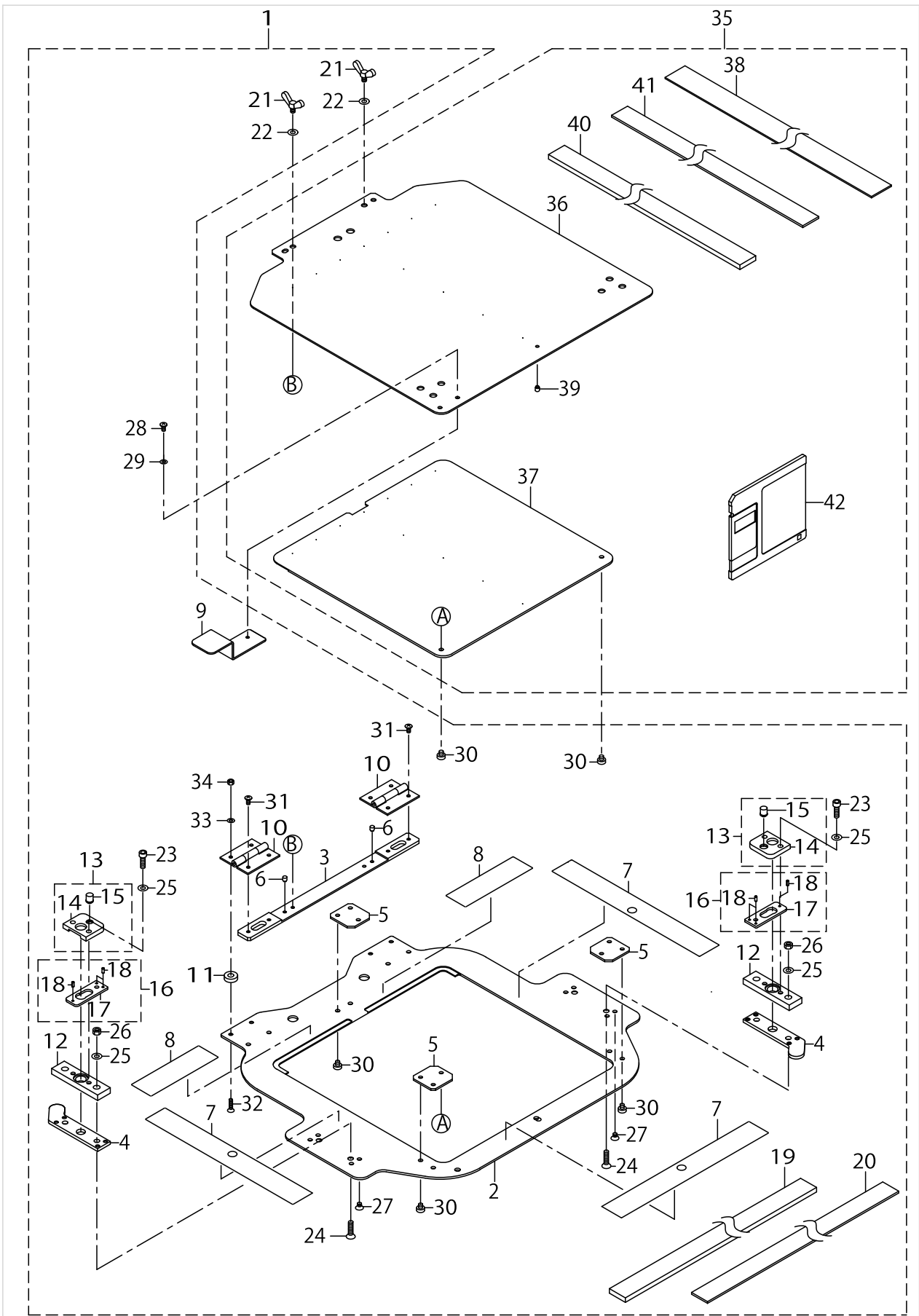
PARTS LIST

Published:09/10/2017

CONTENTS

| | |
|--|---|
| COMPONENTS | 1 |
| HOW TO MAKE USE OF THIS PARTS LIST | 3 |

COMPONENTS



COMPONENTS

| No. | Parts No. | Parts name | Remarks | Level | Cons | Qty |
|-----|--------------|--------------------------------|--|-------|------|-----|
| 1 | G61328750A0 | CLAMP FRAME ASM. | | | | 1 |
| 2 | G6132875000 | CLAMP FRAME | | * | | 1 |
| 3 | G6135875000 | CLAMP UPPER MOUNTING PLATE | | * | | 1 |
| 4 | G6136875000 | SPACER | | * | | 2 |
| 5 | G6137875000 | BLANK FIXING PLATE | | * | | 3 |
| 6 | G6138875000 | POSITIONING PIN | | * | | 2 |
| 7 | G6139875000 | MAGNET PLATE A | | * | | 3 |
| 8 | G6140875000 | MAGNET PLATE B | | * | | 2 |
| 9 | G6141875000 | HANDLE | | * | | 1 |
| 10 | G6142875000 | HINGE | | * | | 2 |
| 11 | G5017100000 | LOWERING LINK COLLAR | | * | | 4 |
| 12 | G6112875000 | BALL CATCH | | * | | 2 |
| 13 | G61198750A0 | BALL SUPPORT FIXING PLATE ASM. | | * | | 2 |
| 14 | G6119875000A | BALL SUPPORT FIXING PLATE | | * | | 1 |
| 15 | G6122875000 | BALL SUPPORT PLUNGER | | * | | 1 |
| 16 | G61208750A0 | BALL SUPPORT ASM. | | * | | 2 |
| 17 | G6120875000A | BALL SUPPORT | | * | | 1 |
| 18 | PS0200052KH | SPRING PIN 2.3X5 | | * | | 3 |
| 19 | G6113875000 | CLOTH PRESSER SPONGE (T=5) | | * | | 1 |
| 20 | G6314870000 | CLOTH PRESSER SPONGE (T=2) | | * | | 1 |
| 21 | 16368508 | WING BOLT | | * | | 2 |
| 22 | WP0430801SC | WASHER 4.3X9X0.8 | | * | | 2 |
| 23 | SM6040802TN | SCREW | | * | | 4 |
| 24 | SM1041601SC | SCREW M4X0.7 L=16 | | * | | 4 |
| 25 | WP0430801SC | WASHER 4.3X9X0.8 | | * | | 8 |
| 26 | NM6040001SC | NUT M4 | | * | | 4 |
| 27 | SS2090550TP | SCREW 9/64-40 L=5 | | * | | 8 |
| 28 | SM0030601SC | SCREW M3X0.5 L=6 | | * | | 2 |
| 29 | WP0320501SC | WASHER M3 | | * | | 2 |
| 30 | SS6090420SP | SCREW 9/64-40 L= 4.0 | | * | | 8 |
| 31 | SM0030601SC | SCREW M3X0.5 L=6 | | * | | 4 |
| 32 | SM1031201SC | SCREW M3X0.5 L=12 | | * | | 4 |
| 33 | WP0320501SC | WASHER M3 | | * | | 4 |
| 34 | NM6030001SC | NUT M3 | | * | | 4 |
| 35 | G61338750A0 | CLAMP UPPER PLATE BLANK ASM. | PART NO. CHANGES WHEN BLANK IS PROCESSED. | | | 1 |
| 36 | G6133875000 | CLAMP UPPER PLATE BLANK | PART NO. CHANGES WHEN BLANK IS PROCESSED. | * | | 1 |
| 37 | G6134875000 | CLAMP LOWER PLATE BLANK | PART NO. CHANGES WHEN BLANK IS PROCESSED. | * | | 1 |
| 38 | G8116875000 | RUBBER MAGNET | | * | | 1 |
| 39 | G6138875000 | POSITIONING PIN | | * | | 1 |
| 40 | G6113875000 | CLOTH PRESSER SPONGE (T=5) | | * | | 2 |
| 41 | G6314870000 | CLOTH PRESSER SPONGE (T=2) | | * | | 2 |
| 42 | HX002970000 | FLOPPY MEDIA | | * | | 1 |

HOW TO MAKE USE OF THIS PARTS LIST

1.As to "#01" and "#02" refer to the "Note" given at the bottom of the respective pages.

2.Codes on the "Qty" column

- Each numeral indicates the number of parts required.
- "0.1" and "2.5" indicate the length (in meters) of the respective parts.

3.Parentheses mean that the corresponding part is a subpart that constructs an assembly part.

4.Dotted lines on the Figures indicate assembly parts.

1. リストページの# 0 1、# 0 2の印は、ページ下の"注記"の説明を参照下さい。
2. 数量欄の数字は、個数を表し、0. 1、2. 5等の数値は、長さ（単位メートル）を表します。
3. 数量欄の（ ）は、組部品を構成している子部品であることを意味します。
4. イラストページの-----枠は、組構成であることを意味します。

NUMERICAL INDEX OF PARTS

| PART NO | PAGE | REF NO. |
|--------------|------|---------|
| 16368508 | 2 | 21 |
| G5017100000 | 2 | 11 |
| G6112875000 | 2 | 12 |
| G6113875000 | 2 | 40 |
| G6119875000A | 2 | 14 |
| G61198750A0 | 2 | 13 |
| G6120875000A | 2 | 17 |
| G61208750A0 | 2 | 16 |
| G6122875000 | 2 | 15 |
| G6132875000 | 2 | 2 |
| G61328750A0 | 2 | 1 |
| G6133875000 | 2 | 36 |
| G61338750A0 | 2 | 35 |
| G6134875000 | 2 | 37 |
| G6135875000 | 2 | 3 |
| G6136875000 | 2 | 4 |
| G6137875000 | 2 | 5 |
| G6138875000 | 2 | 39 |
| G6139875000 | 2 | 7 |
| G6140875000 | 2 | 8 |
| G6141875000 | 2 | 9 |
| G6142875000 | 2 | 10 |
| G6314870000 | 2 | 41 |
| G8116875000 | 2 | 38 |
| HX002970000 | 2 | 42 |
| NM6030001SC | 2 | 34 |
| NM6040001SC | 2 | 26 |
| PS0200052KH | 2 | 18 |
| SM0030601SC | 2 | 31 |
| SM1031201SC | 2 | 32 |
| SM1041601SC | 2 | 24 |
| SM6040802TN | 2 | 23 |
| SS2090550TP | 2 | 27 |
| SS6090420SP | 2 | 30 |
| WP0320501SC | 2 | 33 |
| WP0430801SC | 2 | 25 |