

MODEL : PGM-7

List No : 1284-01

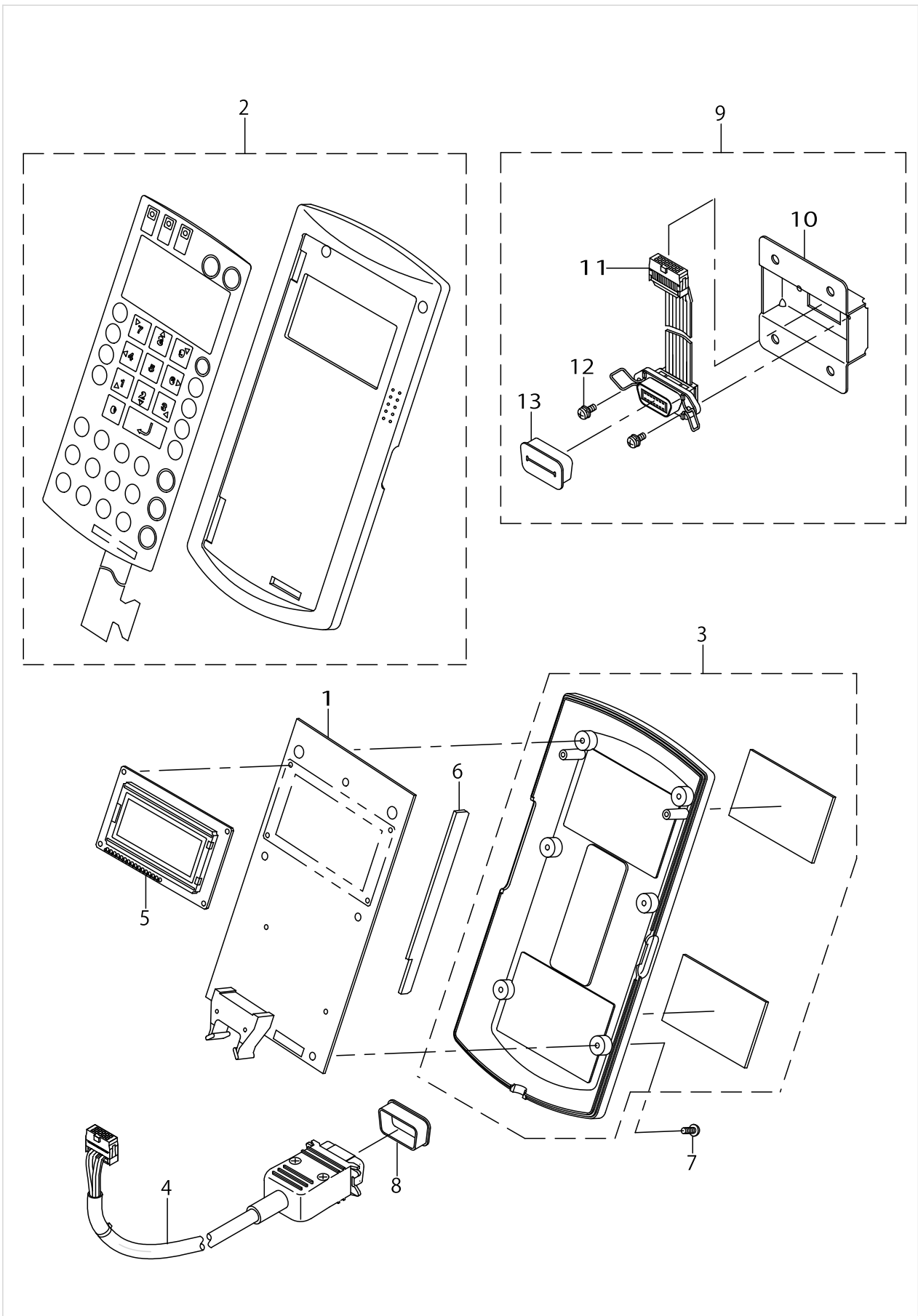
PARTS LIST

Published:09/10/2017

CONTENTS

COMPONENTS	1
HOW TO MAKE USE OF THIS PARTS LIST	3

COMPONENTS



COMPONENTS

No.	Parts No.	Parts name	Remarks	Level	Cons	Qty
1	G8601007AA0	PGM BOARD A ASM.				1
2	G85030070A0	OPERATION BOX UPPER CASE ASM.				1
3	M10315800A0	OPERATION BOX LOWER CASE ASM.				1
4	G90010070A0	PGM CONNECTION CABLE ASM.				1
5	M85415800A0	LCD ASM.				1
6	G1002007000	INPUT DEVICE COVERING BOARD				1
7	ST4031051SN	TAPPING SCREW D=3-24 L=10				6
8	HK02329014C	DUST CAP				1
9	G85020070A0	PGM-LK CONNECTION ASM.				1
10	G1001007000	PANEL CONNECTOR FITTING BOARD		*		1
11	G90020070A0	PGM CONNECTION CORD ASM.		*		1
12	SL4030881SC	SCREW M3X8		*		2
13	HK02329014B	DUST CAP		*		1

HOW TO MAKE USE OF THIS PARTS LIST

1.As to "#01" and "#02" refer to the "Note" given at the bottom of the respective pages.

2.Codes on the "Qty" column

- Each numeral indicates the number of parts required.
- "0.1" and "2.5" indicate the length (in meters) of the respective parts.

3.Parentheses mean that the corresponding part is a subpart that constructs an assembly part.

4.Dotted lines on the Figures indicate assembly parts.

1. リストページの# 0 1、# 0 2の印は、ページ下の"注記"の説明を参照下さい。
2. 数量欄の数字は、個数を表し、0. 1、2. 5等の数値は、長さ（単位メートル）を表します。
3. 数量欄の（ ）は、組部品を構成している子部品であることを意味します。
4. イラストページの-----枠は、組構成であることを意味します。

NUMERICAL INDEX OF PARTS

PART NO	PAGE	REF NO.
G1001007000	2	10
G1002007000	2	6
G85020070A0	2	9
G85030070A0	2	2
G8601007AA0	2	1
G90010070A0	2	4
G90020070A0	2	11
HK02329014B	2	13
HK02329014C	2	8
M10315800A0	2	3
M85415800A0	2	5
SL4030881SC	2	12
ST4031051SN	2	7