

MODEL : LU-1565N

List No : 1281-10

# PARTS LIST

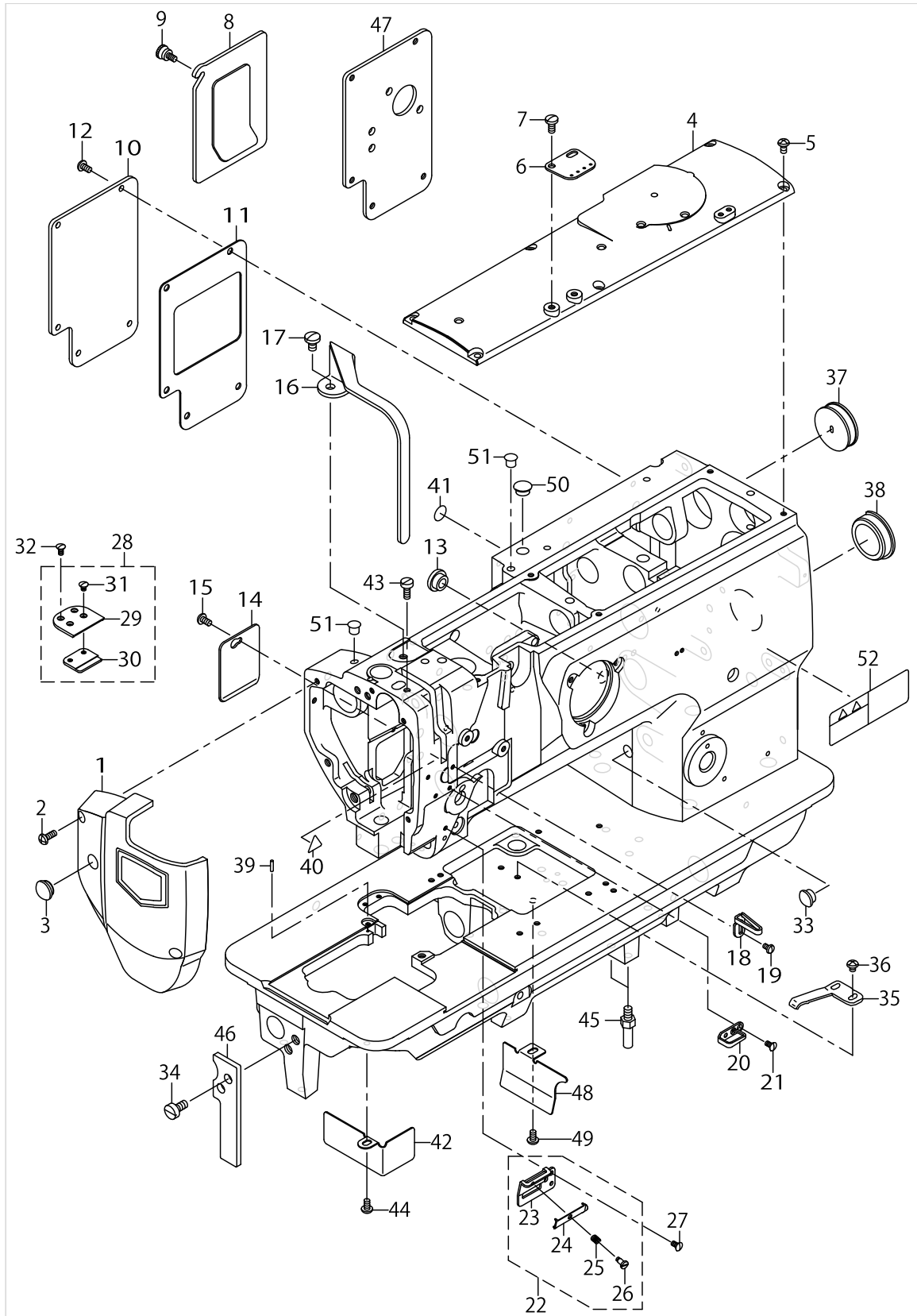
Published:11/30/2017

## CONTENTS

---

FRAME & MISCELLANEOUS COVER COMPONENTS .....	1
UPPER SHAFT,LOWER SHAFT DRIVING & BALANCE COMPONENTS .....	5
NEEDLE STOPPAGE EXCHANGE LEVER & THREAD TENSION COMPONENTS.....	9
NEEDLE STOPPAGE MECHANISM COMPONENTS.....	13
NEEDLE BAR ROCKING COMPONENTS .....	17
PRESSURE ADJUSTING & UPPER FEED MECHANISM COMPONENTS.....	19
FEED MECHANISM COMPONENTS.....	23
HOOK SHAFT & LOWER SHAFT COMPONENTS .....	27
AUTOMATIC PRESSER LIFTING MECHANISM COMPONENTS (OPTIONAL PARTS).....	31
KNEE LIFTING COMPONENTS .....	33
LOWER THREAD WINDER MECHANISM COMPONENTS .....	35
LUBRICATION COMPONENTS .....	37
THREAD STAND COMPONENTS.....	39
BELT COVER & OIL RESERVOIR COMPONENTS.....	41
GAUGE COMPONENTS (STANDARD PARTS).....	43
ACCESSORIES PARTS COMPONENTS .....	45
TABLE OF EXCHANGE GAUGE PARTS.....	47
LIST FOR INFORMATION OF CHANGE.....	51
HOW TO MAKE USE OF THIS PARTS LIST .....	52

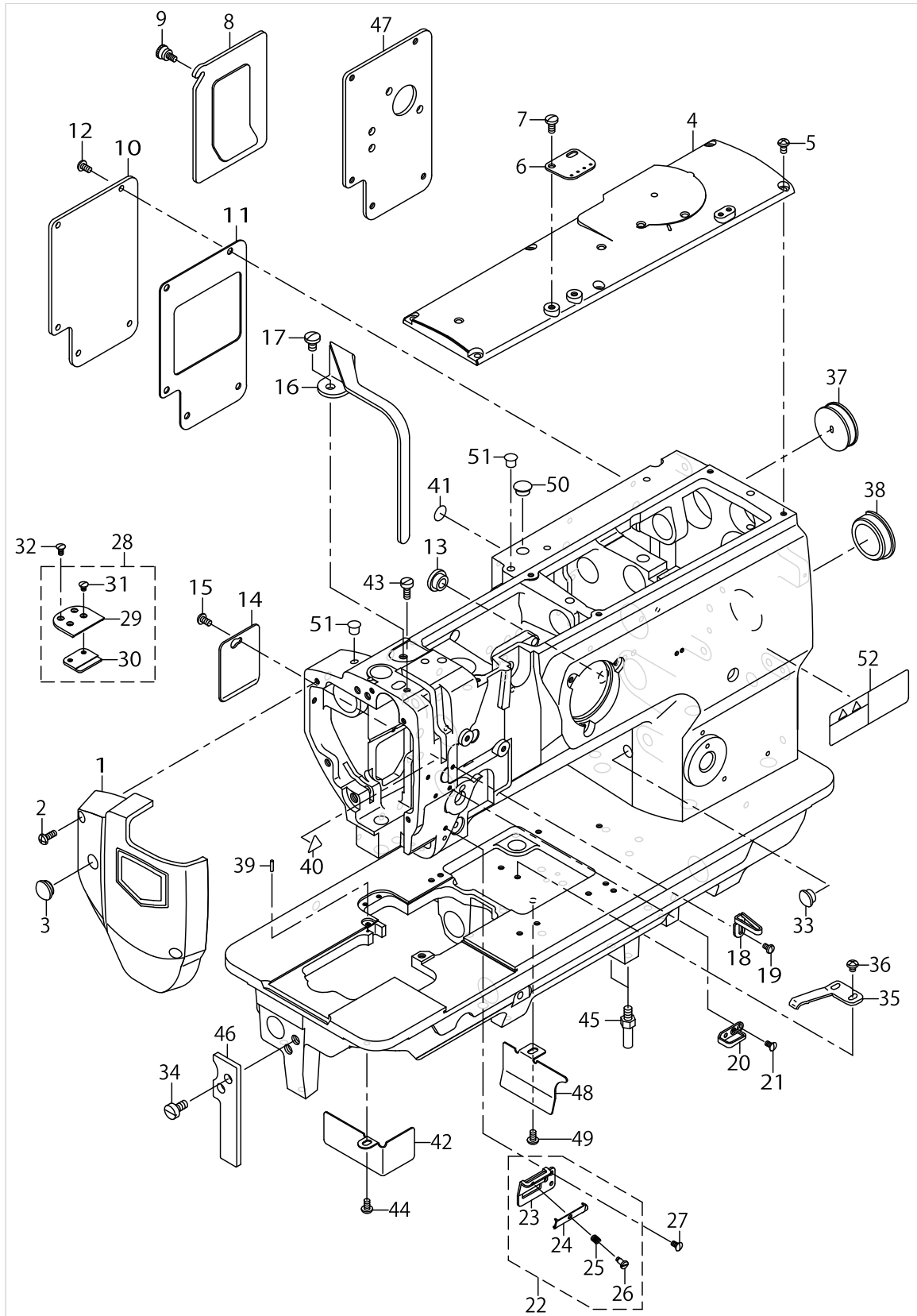
# FRAME & MISCELLANEOUS COVER COMPONENTS



FRAME & MISCELLANEOUS COVER COMPONENTS

No.	Parts No.	Parts name	Remarks	Level	Cons	Qty
1	21375258	FACE PLATE ASM.				1
2	SS4111215SP	SCREW 11/64-40 L=12				2
3	TA1250406R0	RUBBER PLUG D=12.5 L=4				1
4	21331400	TOP COVER A				1
5	SS4110815SP	SCREW 11/64-40 L=8				6
6	21355904	ARM THREAD GUIDE				1
7	SS7621040SP	SCREW 3/16-32 L=9.5				2
8	21331756	WINDOW PLATE A ASM.				1
9	21331202	SETSCREW				1
10	21331806	WINDOW PLATE B				1
11	21332002	WINDOW PLATE PACKING B				1
12	SS4110815SP	SCREW 11/64-40 L=8				5
13	TA1250504R0	RUBBER PLUG				1
14	21332309	SIDE COVER				1
15	SS4110815SP	SCREW 11/64-40 L=8				1
16	21375308	BALANCE COVER(FOR HALF NEEDLE)				1
17	SS7150910TP	SCREW 15/64-28 L=9				1
18	40108674	THREAD GUIDE				1
19	SS5090610SP	SCREW 9/64-40 L=6				1
20	40108675	FRAME THREAD GUIDE				1
21	SS2090710TP	SCREW 9/64-40 L=7.2				1
22	21408554	THREAD GUIDE ASM.				1
23	21408505	THREAD GUIDE PLATE		*		1
24	17912106	NEEDLE THREAD PRESSER PLATE		*		1
25	B1132521000	THREAD PRESSER PLATE SPRING		*		1
26	SD0380551SL	HINGE SCREW D=3.80 H=5.5		*		1
27	SS2090710TP	SCREW 9/64-40 L=7.2				1
28	23208556	AUXILIARY COVER ASM.				1
29	23208507	AUXILIARY COVER		*		1
30	23208606	SLIDING PLATE SUPPORT		*		1
31	SS2090520SL	SCREW 9/64-40 L=5		*		2
32	SS2090710TP	SCREW 9/64-40 L=7.2				2
33	TA1050504R0	RUBBER PLUG				1
34	SS6151210SP	SCREW 15/64-28 L=12				2
35	B1111563000	BED SLIDE SPRING				1
36	SS4110515SP	SCREW 11/64-40 L=5				2
37	10201200	RUBBER PLUG				1
38	22619100	CAP				1
39	B1104051000	THROAT PLATE PIN				1
40	CM300200001	ATTENTION SEAL				1
41	22901805	GROUND MARK				1
42	21332200	OIL SHIELD (LEFT)				1
43	SS6621210SP	SCREW 3/16-32 L=12				1
44	SS4110815SP	SCREW 11/64-40 L=8				1
45	22602601	BED SCREW STUD				2
46	21361407	BED SUPPORT PLATE				1
47	21348909	WIDOW PLATE D	OPTIONAL PARTS			1

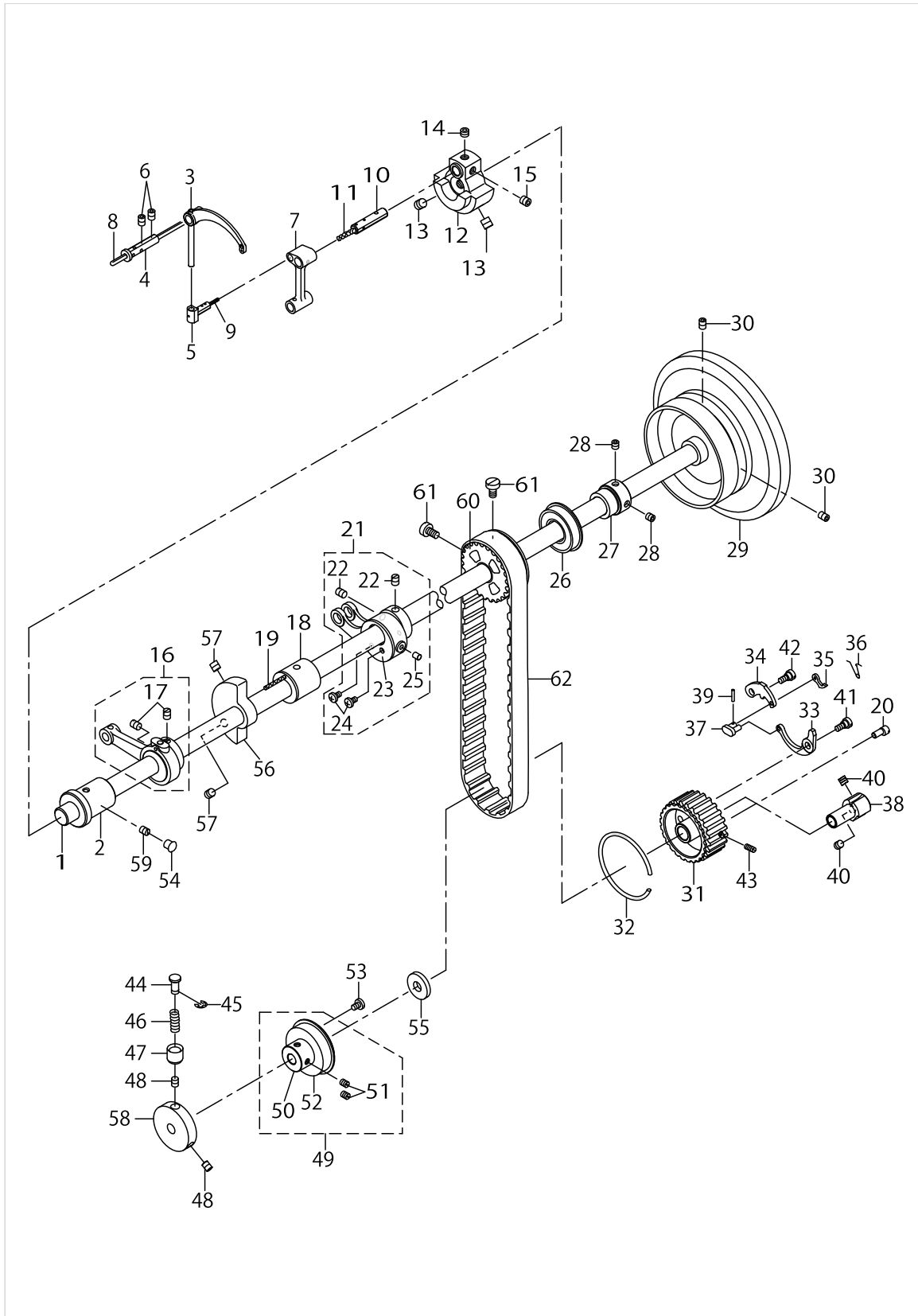
FRAME & MISCELLANEOUS COVER COMPONENTS



FRAME & MISCELLANEOUS COVER COMPONENTS

No.	Parts No.	Parts name	Remarks	Level	Cons	Qty
48	22877609	DUST COVER				1
49	SS4110815SP	SCREW 11/64-40 L=8				1
50	TA1250504R0	RUBBER PLUG				1
51	TA0750704R0	RUBBER PLUG				2
52	CM301300001	SAFETY LABEL				1

UPPER SHAFT, LOWER SHAFT DRIVING & BALANCE COMPONENTS

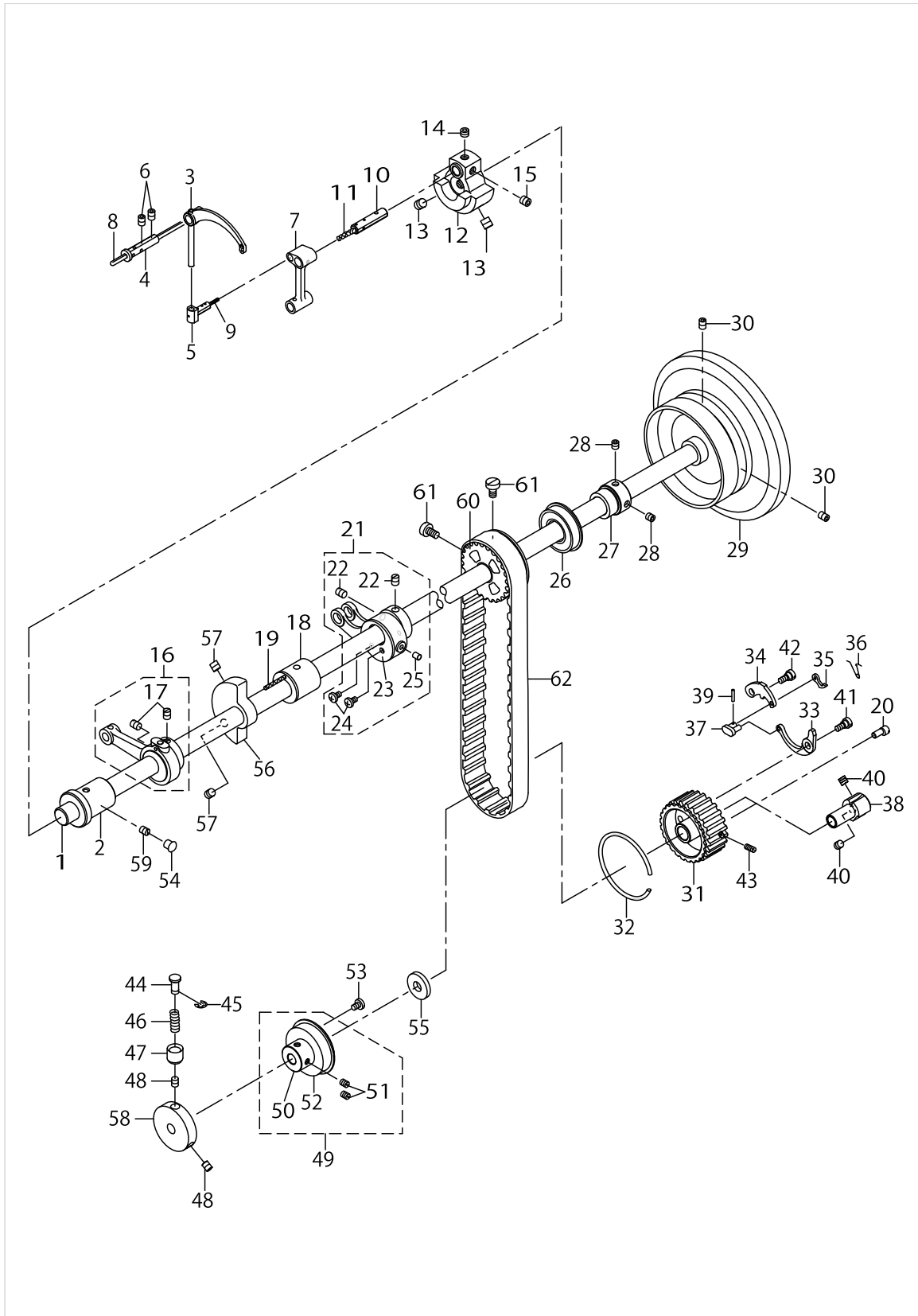


UPPER SHAFT,LOWER SHAFT DRIVING & BALANCE COMPONENTS

No.	Parts No.	Parts name	Remarks	Level	Cons	Qty
1	21332705	UPPER SHAFT				1
2	21333000	UPPER SHAFT FRONT METAL				1
3	B1905526000	THREAD TAKE-UP LEVER				1
4	B1906526000	TAKE-UP LEVER				1
5	B1907526000	TAKE-UP LEVER THRUST PIN				1
6	SS8150822TP	SCREW 15/64-28 L=8				2
7	B1408526000	NEEDLE BAR CRANK ROD				1
8	CQ303000000	OIL WICK				0.08
9	CQ202000000	OIL WICK				0.03
10	22680607	NEEDLE BAR CRANK PIN				1
11	CQ505000000	OIL WICK				0.03
12	21375704	COUNTER WEIGHT 33.36MM				1
13	SM8080812TP	SCREW M8X8				2
14	SS8680540SP	SCREW 9/32-28 L=4.5				1
15	SS8680730SP	SCREW 9/32-28 L=7				1
16	40197297	UPPER_FEED_CAM_ASM				1
17	SS8660810TP	SCREW 1/4-40 L=8		*		2
18	21333109	UPPER SHAFT INNER METAL				1
19	CQ202000000	OIL WICK				0.15
20	21387907	ADJUSTING PIN (1.2)				1
21	40197296	HORIZONTAL_FEED_ROD_ASM				1
22	SS8660810TP	SCREW 1/4-40 L=8		*		2
23	21353008	HORIZONTAL FEED CAM COVER		*		1
24	SS7110710SP	SCREW 11/64-40 L=7		*		2
25	21387402	FELT		*		1
26	40143083	BEARING				1
27	21402300	UPPER SHAFT BEARING HOOK				1
28	SM8060602TP	SCREW M6X6				2
29	21334008	FLYWHEEL				1
30	SS8150822TP	SCREW 15/64-28 L=8				2
31	21387501	LOWER SPROCKET				1
32	B1214019000	SPROCKET RING				1
33	21387709	SAFETY CLUTCH SPRING				1
34	21387600	SAFETY CLUTCH HOOK				1
35	B1308055000	SAFETY CLUTCH COUNTER-HOOK				1
36	40113224	COUNTER HOOK SPRING				1
37	B1310055000	SAFETY CLUTCH SMALL LINK				1
38	21387808	SAFETY BASE				1
39	B1314055000	SAFETY CLUTCH SMALL LINK PIN				1
40	SS8660612TP	SCREW 1/4-40 L=6				2
41	SD0640322TP	HINGE SCREW D=6.35 H=3.2				1
42	SD0640322TP	HINGE SCREW D=6.35 H=3.2				1
43	SS8111010TP	SCREW 11/64-40 L=9.5				1
44	B1312563000A	SAFETY CLUTCH PUSH BUTTON				1
45	RE0500000K0	E-RING				1
46	B1639051000	SPRING				1
47	B1313055000	SAFETY CLUTCH KNOB SLEEVE				1



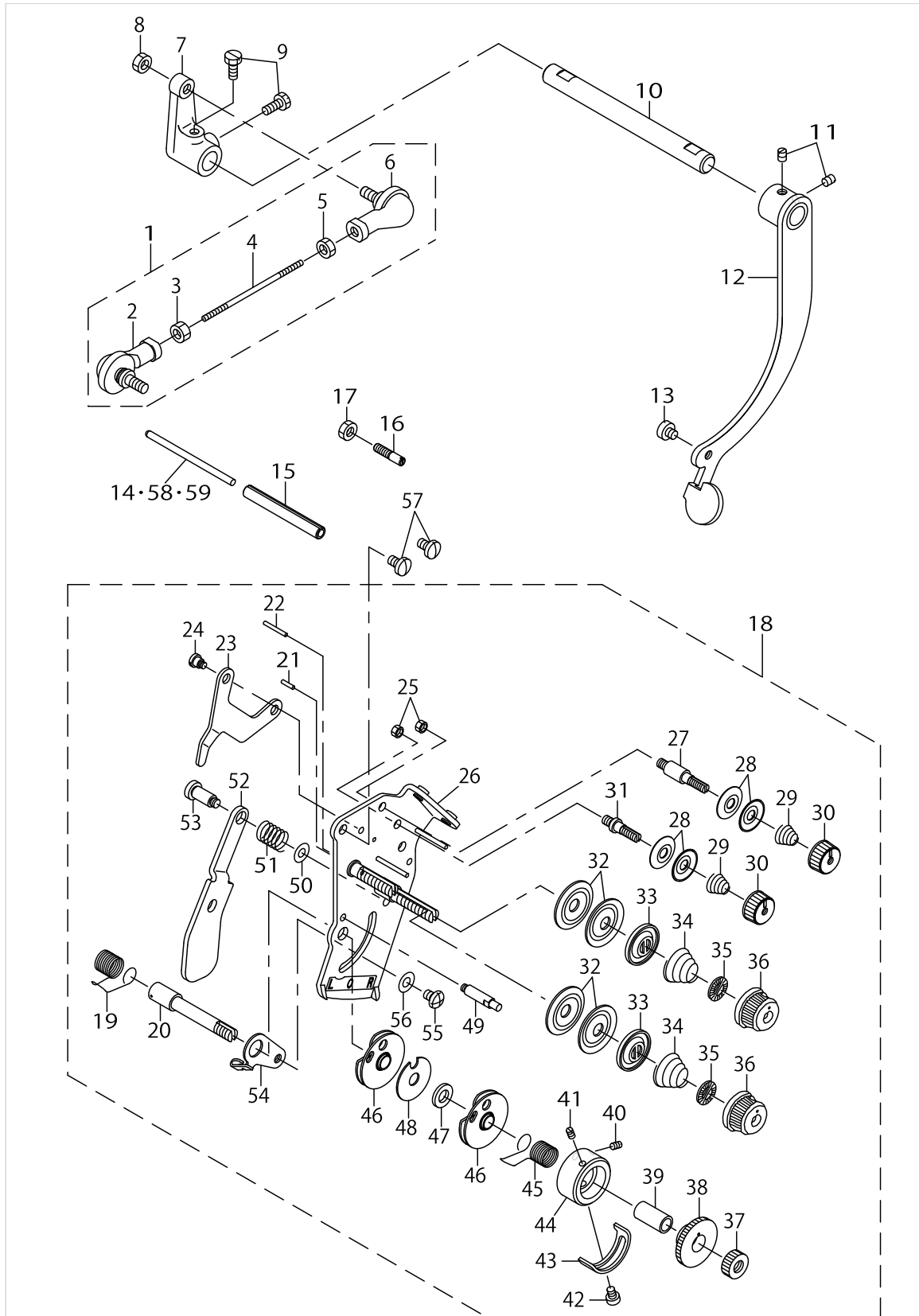
UPPER SHAFT, LOWER SHAFT DRIVING & BALANCE COMPONENTS



UPPER SHAFT,LOWER SHAFT DRIVING & BALANCE COMPONENTS

No.	Parts No.	Parts name	Remarks	Level	Cons	Qty
48	SS8150710TP	SCREW 15/64-28 L=7				2
49	40038700	THRUST COLLAR ASM.				1
50	40038702	THRUST COLLAR		*		1
51	SS8661030SP	SCREW 1/4-40 L=10		*		2
52	SB120000200	BEARING 20X42		*		1
53	SS7120760SP	SCREW 3/16-28 L=7.0				2
54	TA0750704R0	RUBBER PLUG				1
55	40016148	THRUST COLLAR B WASHER				1
56	21333406	BALANCER				1
57	SS8151550SP	SCREW 15/64-28 L=15				2
58	21333703	SAFETY CLUTCH DISC				1
59	SS8150710TP	SCREW 15/64-28 L=7				1
60	40038692	UPPER SPROCKET				1
61	SS6661110SP	SCREW 1/4-40 L=11				2
62	22604300	TIMING BELT				1

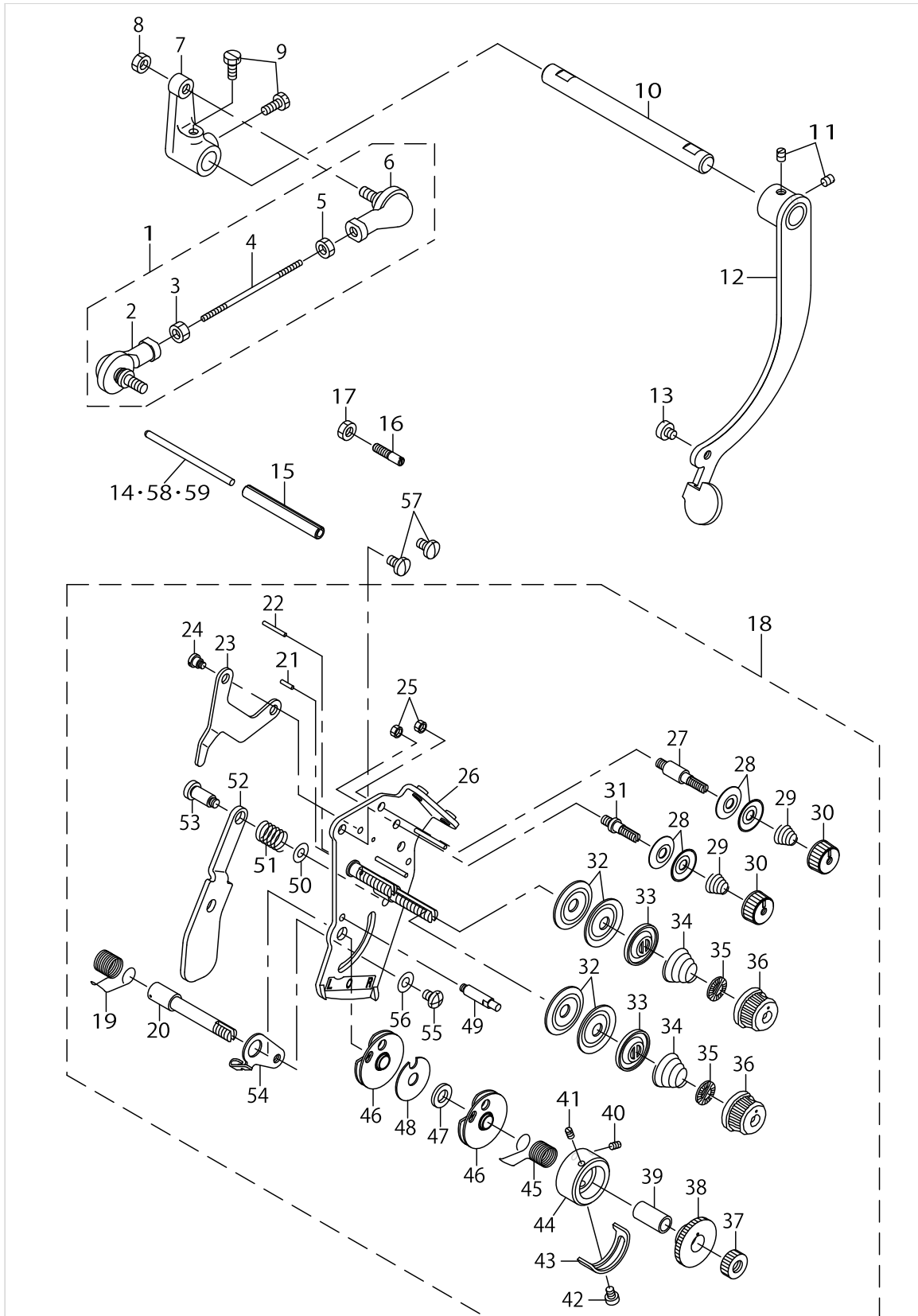
NEEDLE STOPPAGE EXCHANGE LEVER & THREAD TENSION COMPONENTS



NEEDLE STOPPAGE EXCHANGE LEVER & THREAD TENSION COMPONENTS

No.	Parts No.	Parts name	Remarks	Level	Cons	Qty
1	21377155	BALL JOINT COMPL.				1
2	B1440526000	BALL JOINT LEFT		*		1
3	NM6050550SD	NUT M5X0.8		*		1
4	B1441526000	ADJUSTING SHAFT ROD		*		1
5	NM6050001SP	NUT M5		*		1
6	B1442526000	BALL JOINT RIGHT		*		1
7	B144352600A	NEEDLE STOP SHIFTING ARM				1
8	NM6050001SP	NUT M5				1
9	SS9111010SP	SCREW 11/64-40 L=9.5				2
10	21377007	REPOSITIONING LEVER SHAFT				1
11	SS8110520TP	SCREW 11/64-40 L=4.5				2
12	22687453	REPOSITIONING LEVER ASM.				1
13	SS6110430TP	SCREW 11/64-40 L=4.0				1
14	10321107	TENSION RELEASE BAR	SELECTIVE PARTS			1
15	PS0600502KP	SPRING PIN				1
16	SS6621210SP	SCREW 3/16-32 L=12				1
17	NS6620310SP	NUT 3/16-32				1
18	21375456	THREAD TENSION ASM.				1
19	22618706	THREAD TAKE-UP SPRING A		*		1
20	10697605	THREAD TAKE-UP SPRING STUD		*		1
21	B3127051000	TENSION RELEASE PIN SHORT		*		1
22	B3127527000	PIN B		*		1
23	22618102	TENSION RELEASE LEVER		*		1
24	SD0470281SP	HINGE SCREW D=4.7 H=2.8		*		2
25	NS6110310SP	NUT 11/64-40		*		1
26	22689053	TENSION BASE PLATE ASM.		*		1
27	10124204	THREAD TENSION POST A		*		1
28	10741106	FIRST THREAD TENSION PLATE		*		4
29	11045101	THREAD TENSION SPRING		*		2
30	11072402	THREAD TENSION NUT		*		2
31	10124303	THREAD TENSION POST B		*		1
32	13138201	THREAD TENSION DISK		*		4
33	22617906	THREAD TENSION DISK PRESSER		*		2
34	B3129053000	TENSION SPRING		*		2
35	B3120125000	ROTATING STOPPER		*		2
36	11956802	THREAD TENSION KNOB BLUE		*		2
37	22617807	NUT		*		1
38	22617708	TAKE-UP SPRING GUIDE		*		1
39	B3141527000	PRESSER COLLAR		*		1
40	22618904	SET SCREW		*		1
41	22618904	SET SCREW		*		1
42	SS7090510SP	SCREW 9/64-40 L=4.6		*		1
43	B3138527000	ADJUSTING PLATE B		*		1
44	22617609	THREAD TENSION POST		*		1
45	22618805	THREAD TAKE-UP SPRING B		*		1
46	B31375270A0	TAKE-UP SPRING GUIDE ASM.		*		2
47	B3139527000	COLLAR		*		1

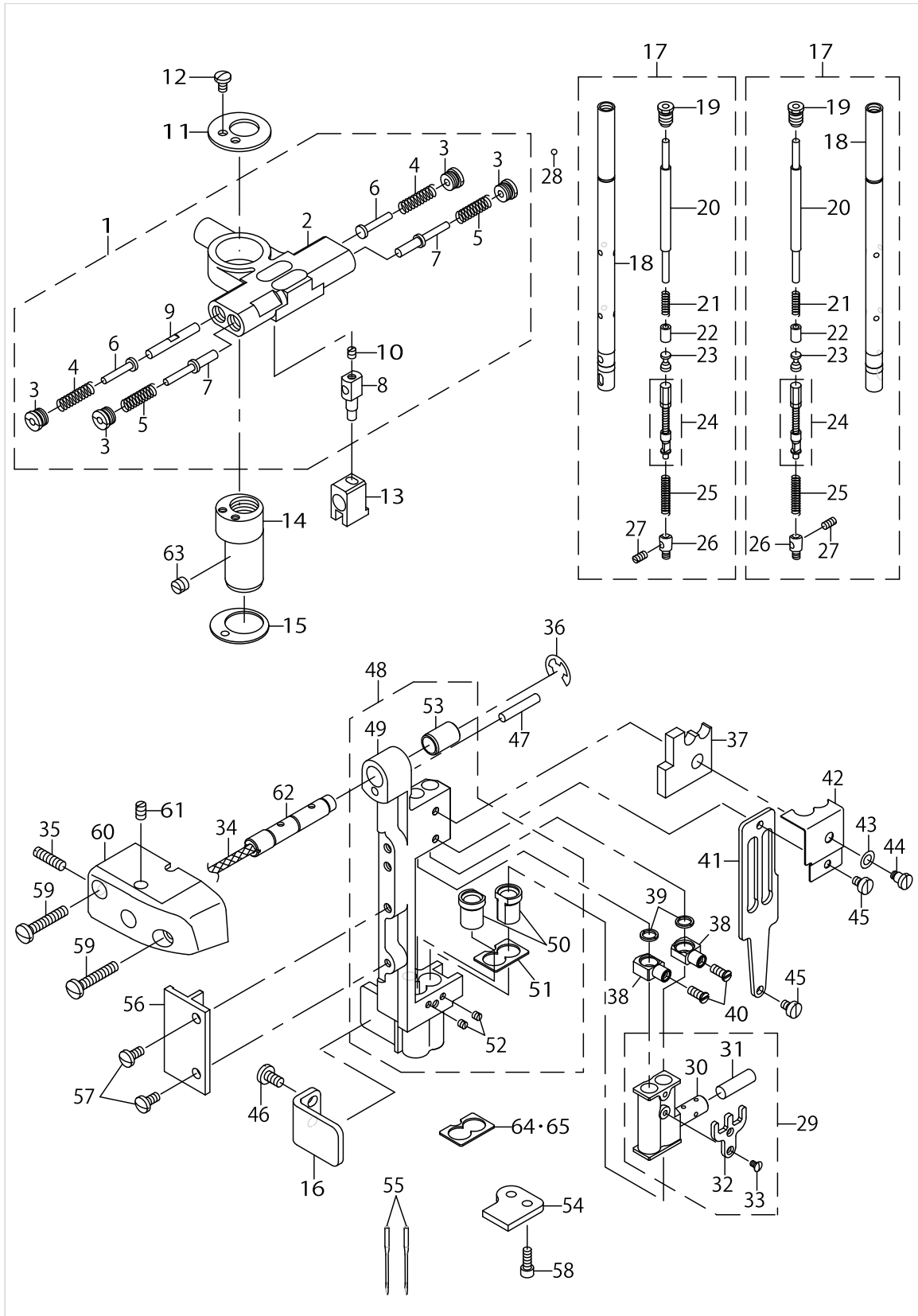
NEEDLE STOPPAGE EXCHANGE LEVER & THREAD TENSION COMPONENTS



NEEDLE STOPPAGE EXCHANGE LEVER & THREAD TENSION COMPONENTS

No.	Parts No.	Parts name	Remarks	Level	Cons	Qty
48	B3142527000	TAKE-UP SPRING GUIDE PLATE		*		1
49	B3143527000	TAKE-UP SPRING GUIDE STUD		*		1
50	WP0450801SP	WASHER		*		1
51	B1449526000	REPOSITIONING LEVER SPRING		*		1
52	22689103	REPOSITIONING LEVER		*		1
53	SD0601171SP	HINGE SCREW D=6 H=11.7		*		1
54	10697506	THREAD TENSION BRACKET A		*		1
55	SS4110615SP	SCREW 11/64-40 L=6		*		1
56	WP0501016SP	WASHER 5X10.5X1		*		1
57	SS7110710SP	SCREW 11/64-40 L=7				2
58	23006406	TENSION RELEASE BAR				1
59	21348206	TENSION RELEASE BAR	SELECTIVE PARTS			1

# NEEDLE STOPPAGE MECHANISM COMPONENTS

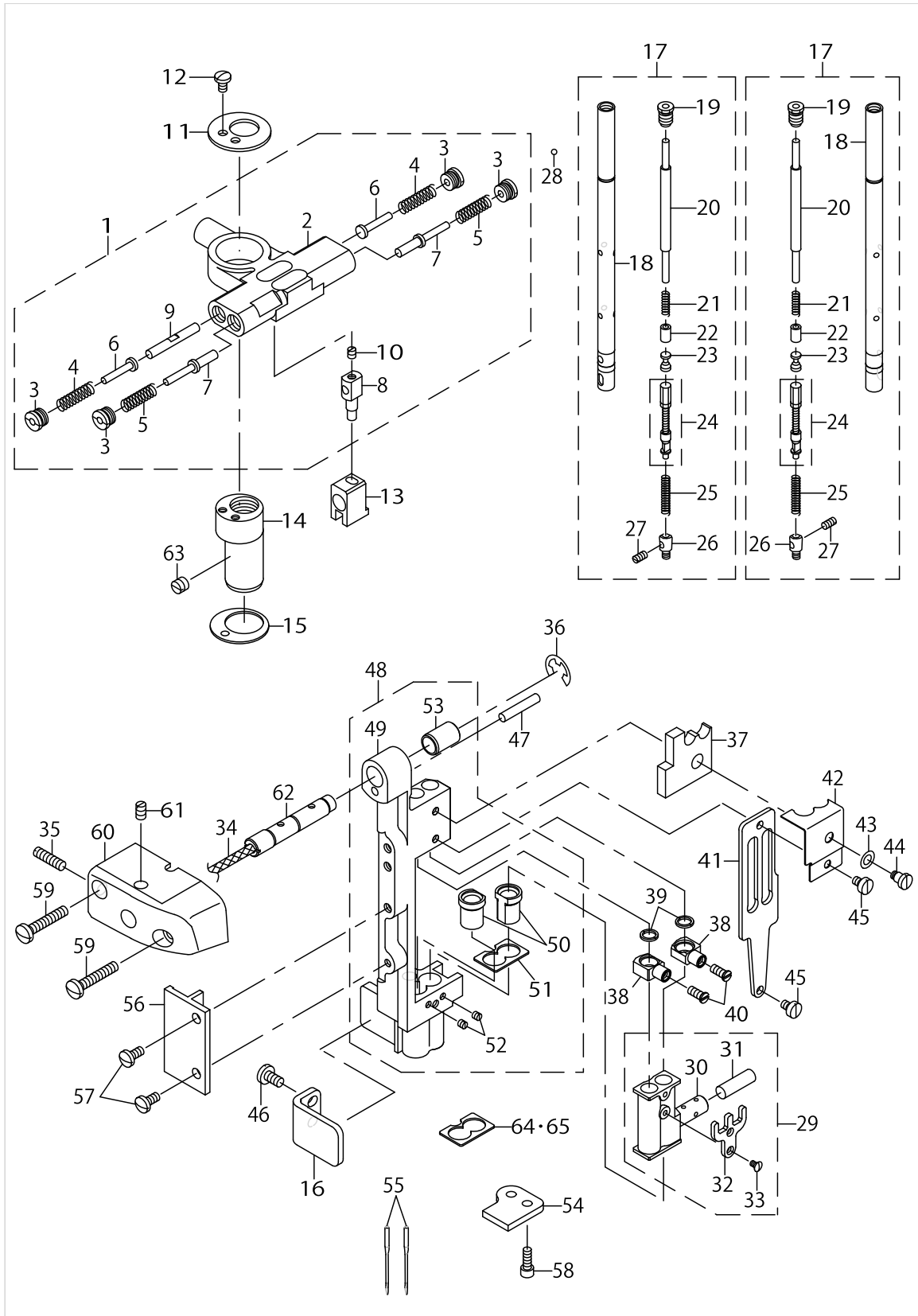


NEEDLE STOPPAGE MECHANISM COMPONENTS

No.	Parts No.	Parts name	Remarks	Level	Cons	Qty
1	B14345280A0	REPOSITIONING BASE ASM.				1
2	B1434528000	REPOSITIONING BASE		*		1
3	B1438526000	PLUG SCREW		*		4
4	B143752600A	SPRING L=21.7		*		2
5	B1437526000	SPRING L=19.3		*		2
6	B1435526000	GUIDE STUD		*		2
7	B1436526000	DRIVING GUIDE STUD		*		2
8	B1431526000	SLIDE PIN		*		1
9	B1455526000	SLIDE BLOCK STUD		*		1
10	SS8090410TP	SCREW 9/64-40 L=3.9		*		1
11	B1439528000	COVER PLATE				1
12	SS7090620TP	SCREW 9/64-40 L=6.1				2
13	B1427526000	DRIVING BRACKET				1
14	B1431528000	REPOSITIONING BASE SHAFT				1
15	B1432528000	WASHER				1
16	21388400	ROCKING BASE GUIDE				1
17	B14015260A0	NEEDLE BAR ASM.				2
18	B1401526000	NEEDLE BAR		*		2
19	B1404526000	PLUG SCREW		*		2
20	B1405526000	PRESS BAR		*		2
21	B1406526000	SPRING		*		2
22	B1407526000	PRESS BAR SLEEVE		*		2
23	B1409526000	BALL SLIDE STUD		*		2
24	B14125260A0	ADJUSTING SLIDE STUD ASM.		*		2
25	B1415526000	SPRING		*		2
26	B1416528000	COLLAR		*		2
27	B1425526000	SCREW 1/8-44 L=6		*		2
28	B1410526000	BALL				12
29	B14205260A0	NEEDLE BAR BRACKET ASM.				1
30	B1420526000	NEEDLE BAR BRACKET		*		1
31	B1412051000	FELT		*		1
32	B1422526000	NEEDLE BAR SUPPORT PLATE		*		1
33	SS2060410SP	SCREW 3/32-56 L=4.1		*		2
34	CQ252000000	OIL WICK				0.08
35	SS8111010TP	SCREW 11/64-40 L=9.5				1
36	RE0700000K0	E-RING 7				1
37	B1451526000	OIL FELT				1
38	21376405	NEEDLE BAR FIXED STUD				2
39	B1417526000	HALF RING				4
40	B1419526000	SCREW				2
41	B1423526000	NEEDLE BAR GUIDE PLATE				1
42	B1450526000	OIL FELT PRESSER				1
43	WP0480856SP	WASHER 4.8X8.4X0.8				1
44	SD0450401SP	HINGE SCREW D=4.5 H=4				1
45	SS6090540SP	SCREW 9/64-40 L=5.0				2
46	SS7110830SP	SCREW 11/64-40 L=7.5				2
47	PS0400222K0	SPRING PIN				1



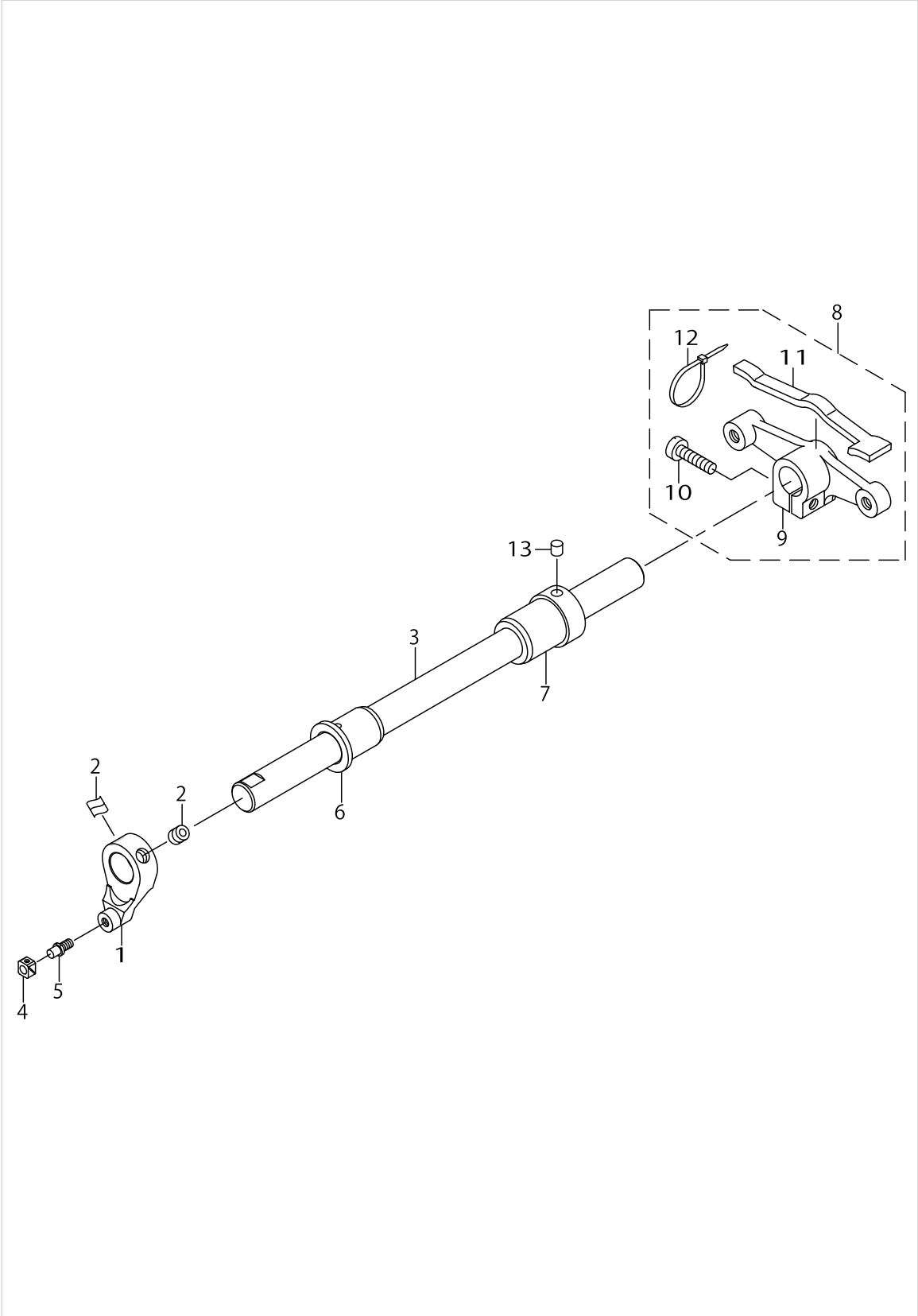
# NEEDLE STOPPAGE MECHANISM COMPONENTS



NEEDLE STOPPAGE MECHANISM COMPONENTS

No.	Parts No.	Parts name	Remarks	Level	Cons	Qty
48	21375852	NEEDLE ROD ROCKING BASE COMPL.				1
49	21375803	NEEDLE BAR ROCKING BASE		*		1
50	B1510526000A	NEEDLE BAR LOWER BUSHING		*		1
51	B145352600A	THRUST PLATE A		*		1
52	SS8080310SP	SCREW 1/8-44 L=2.8		*		2
53	B1452526000	NEEDLE BAR FRAME BUSHING		*		1
54	21338603	ROCKING BASE GUIDE (B)				1
55	M13517B1600	NEEDLE 135X17 #160				1
56	21376207	UPPER FEED BAR GUIDE				1
57	SS7110910SP	SCREW 11/64-40 L=8.5				2
58	SS6091022TP	SCREW				1
59	SS7112420SP	SCREW 11/64-40 L=24				2
60	21376009	NEEDLE ROD ROCKING SHAFT BASE				1
61	SS8110750SP	SCREW 11/64-40 L=6.5				1
62	21376504	NEEDLE ROD ROCKING BASE SHAFT				1
63	SS8150510TP	SCREW 15/64-28 L=4.7				1
64	B145352600B	THRUST PLATE T=0.6	SELECTIVE PARTS			1
65	B145352600C	THRUST PLATE C	SELECTIVE PARTS			1

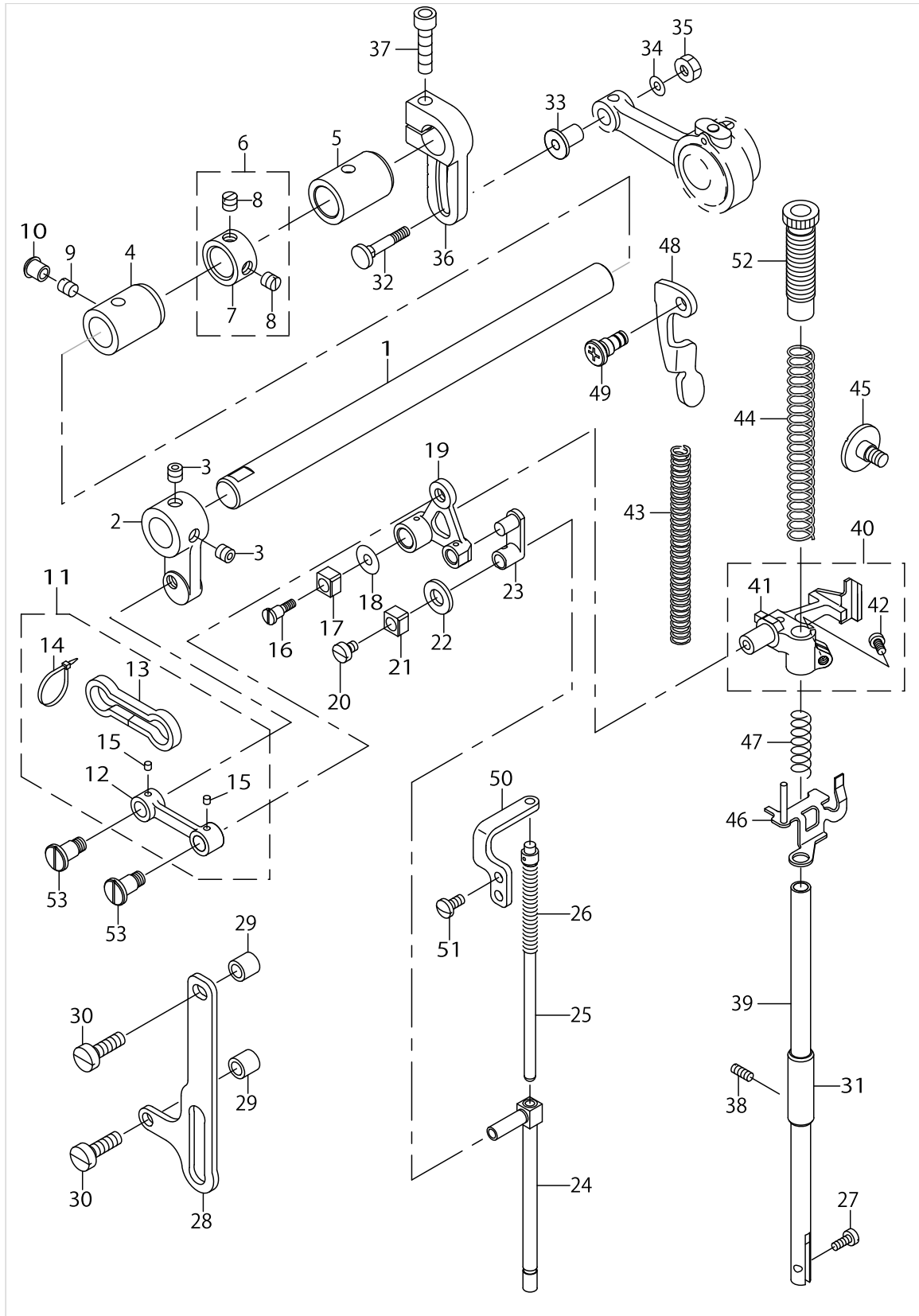
NEEDLE BAR ROCKING COMPONENTS



NEEDLE BAR ROCKING COMPONENTS

No.	Parts No.	Parts name	Remarks	Level	Cons	Qty
1	21375902	NEEDLE BAR ROCKING FRONT ARM				1
2	SM8080802TP	SCREW				2
3	21338900	ROCKING SHAFT				1
4	B1414232000	SQUARE BLOCK				1
5	B1410771000	STUD				1
6	21339304	ROCKING SHAFT FRONT METAL				1
7	40027746	BUSHING REAR				1
8	21339056	ROCKING REAR ARM ASM.				1
9	21339007	ROCKING REAR ARM		*		1
10	SS6152440SP	SCREW 15/64-28 L=23.5		*		1
11	21347406	ROCKING REAR ARM FELT		*		1
12	EA9500B0100	CABLE BAND		*		1
13	22814909	FELT				1

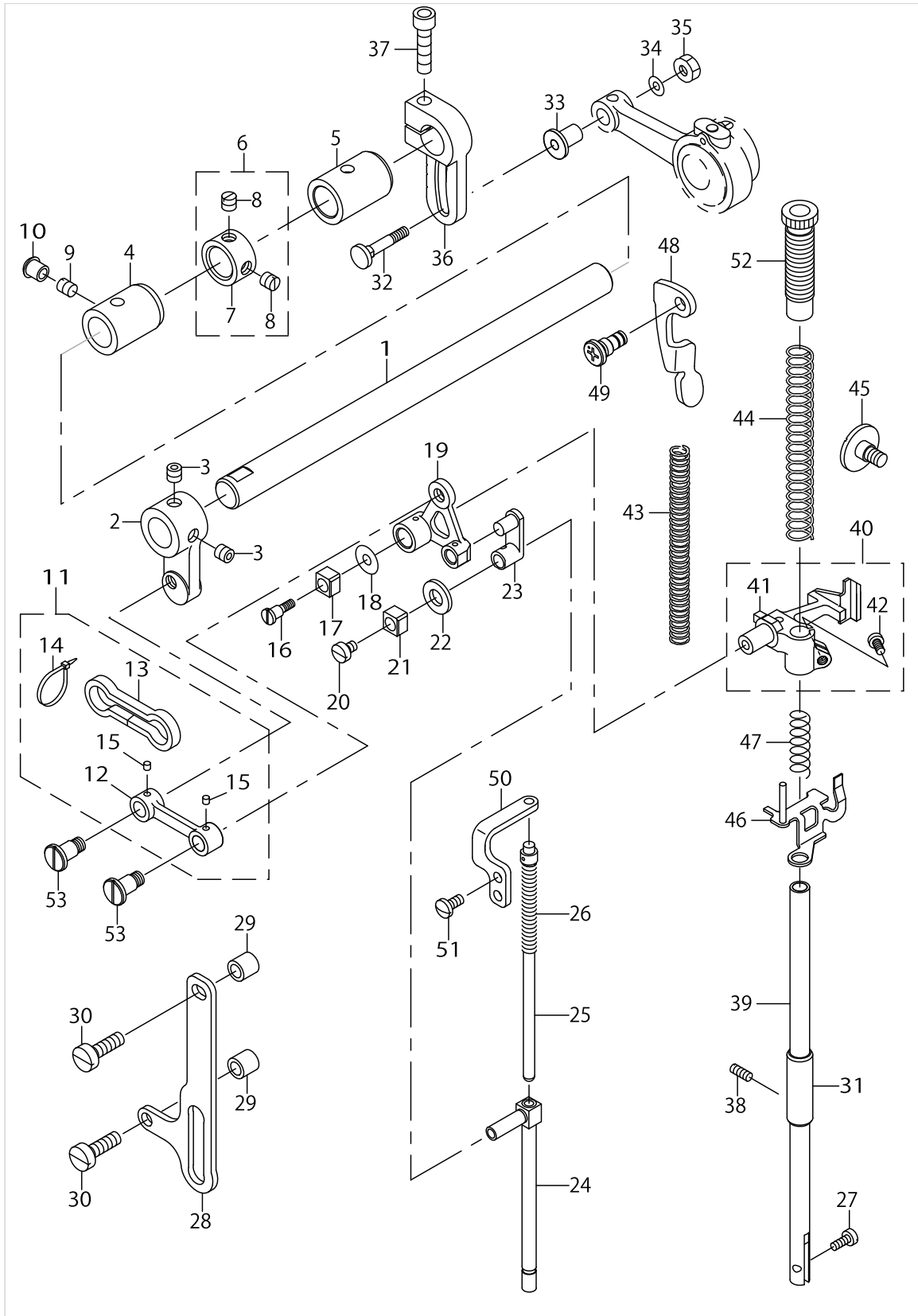
PRESSURE ADJUSTING & UPPER FEED MECHANISM COMPONENTS



PRESSURE ADJUSTING & UPPER FEED MECHANISM COMPONENTS

No.	Parts No.	Parts name	Remarks	Level	Cons	Qty
1	21340401	UPPER FEED SHAFT				1
2	21340500	UPPER FEED FRONT ARM				1
3	SS8660612TP	SCREW 1/4-40 L=6				2
4	40039326	FRONT METAL				1
5	21378302	FEED SHAFT METAL				1
6	22904155	MAIN SHAFT THRUST COLLAR ASM.				1
7	22904106	MAIN SHAFT THRUST COLLAR		*		1
8	SS8660610TP	SCREW 1/4-40 L=6		*		2
9	SS8150710SP	SCREW 15/64-28 L=7				1
10	TA0750704R0	RUBBER PLUG				1
11	40033027	UPPER FEED LINK ASM.				1
12	40033026	UPPER FEED LINK		*		1
13	21347109	FELT		*		1
14	EA9500B0000	CLIP CV-70S		*		2
15	CQ3000000F0	OIL FELT		*		0.0028
16	40018339	SCREW				1
17	B1414555000	SLIDE BLOCK				1
18	WP0501046SC	WASHER 5X13X1				1
19	21376306	TRIANGULAR LEVER				1
20	SS6110610TP	SCREW 11/64-40 L=6				1
21	B1414555000	SLIDE BLOCK				1
22	10509701	FELT				1
23	B1465526000	WALKING BAR DRIVING LINK				1
24	40033030	WALKING BAR A				1
25	21376157	UPPER FEED SPRING HOLDER ASM.				1
26	B1468053000	WALKING BAR SPRING				1
27	SS6090910TP	SCREW 9/64-40 L=9				1
28	21341300	UPPER FEED GUIDE PLATE				1
29	26225201	ROLLER				2
30	SS6151920SP	SCREW 15/64-28 L=19.0				2
31	B1510155000	PRESSER BAR LOWER BUSHING				1
32	D1456055B00	HINGE SCREW				1
33	D1455055B00	CONNECTING STUD				1
34	WP0482086SD	WASHER 4.8X11.5X2				1
35	NS6110530SP	NUT 11/64-40				1
36	21437900	UPPER FEED REAR ARM				1
37	SM6062502TP	SCREW M6 L=25				1
38	SS8111010TP	SCREW 11/64-40 L=9.5				1
39	B1501241H00	PRESSER BAR				1
40	40033032	PRESSER BAR HOLDER A ASM.				1
41	40033031	PRESSER BAR HOLDER A		*		1
42	SS7110910TP	SCREW 11/64-40 L= 8.5		*		1
43	B1510141H00	PRESSER SPRING	OPTIONAL PARTS			1
44	B1502246000	PRESSER SPRING				1
45	SD0800481SP	HINGE SCREW D=8 H=4.9				1
46	21341151	THREAD RELEASE HOLDING PLATE				1
47	B1462053000	THREAD RELEASE SPRING				1

PRESSURE ADJUSTING & UPPER FEED MECHANISM COMPONENTS

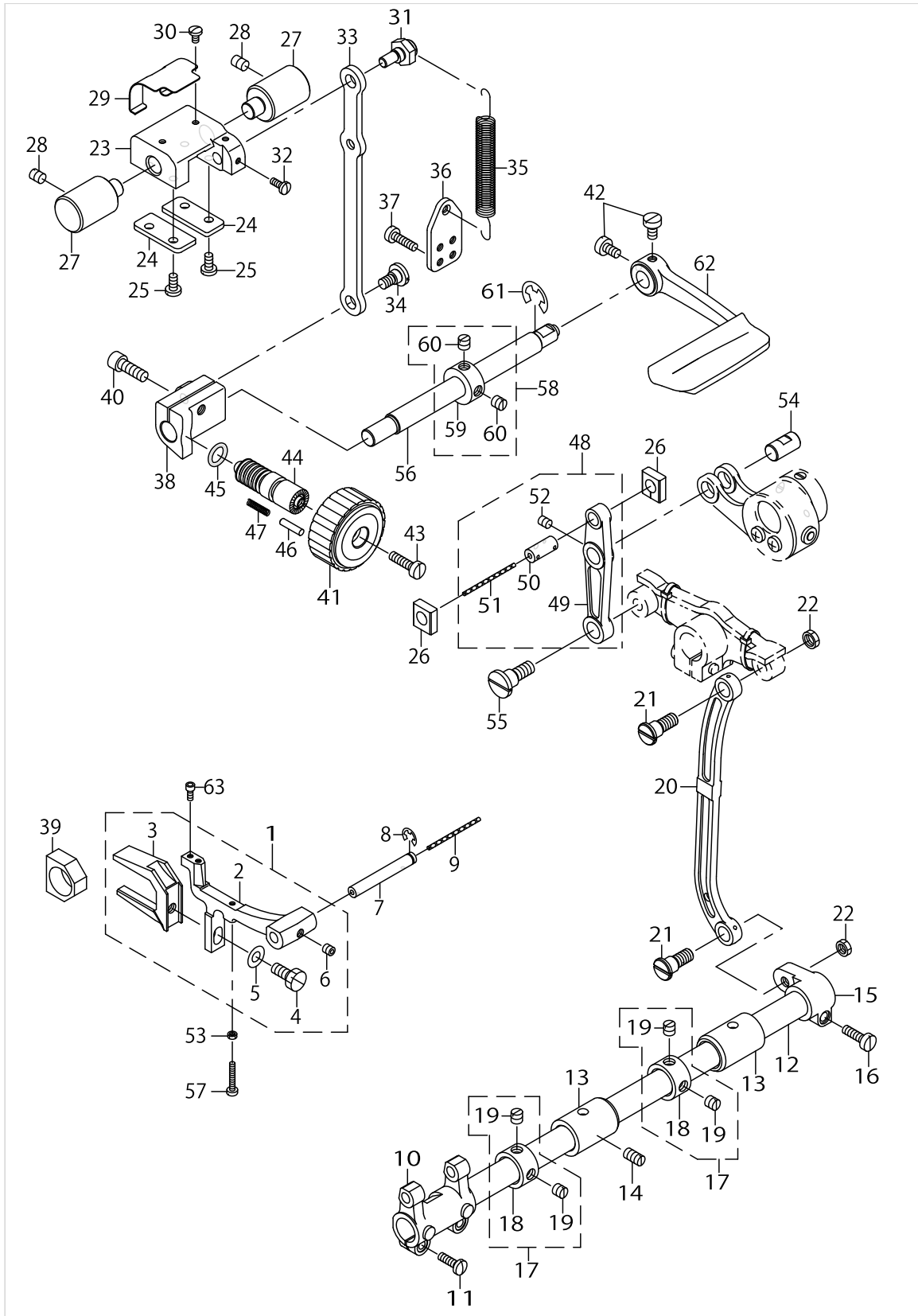


PRESSURE ADJUSTING & UPPER FEED MECHANISM COMPONENTS

No.	Parts No.	Parts name	Remarks	Level	Cons	Qty
48	21406103	PRESSER LIFTER LEVER				1
49	40034204	HAND LIFTER SCREW				1
50	23010606	WALKING BAR SUPPORT PLATE				1
51	SS7110910SP	SCREW 11/64-40 L=8.5				2
52	21340906	PRESSER ADJUSTING SCREW				1
53	40018340	SCREW				2



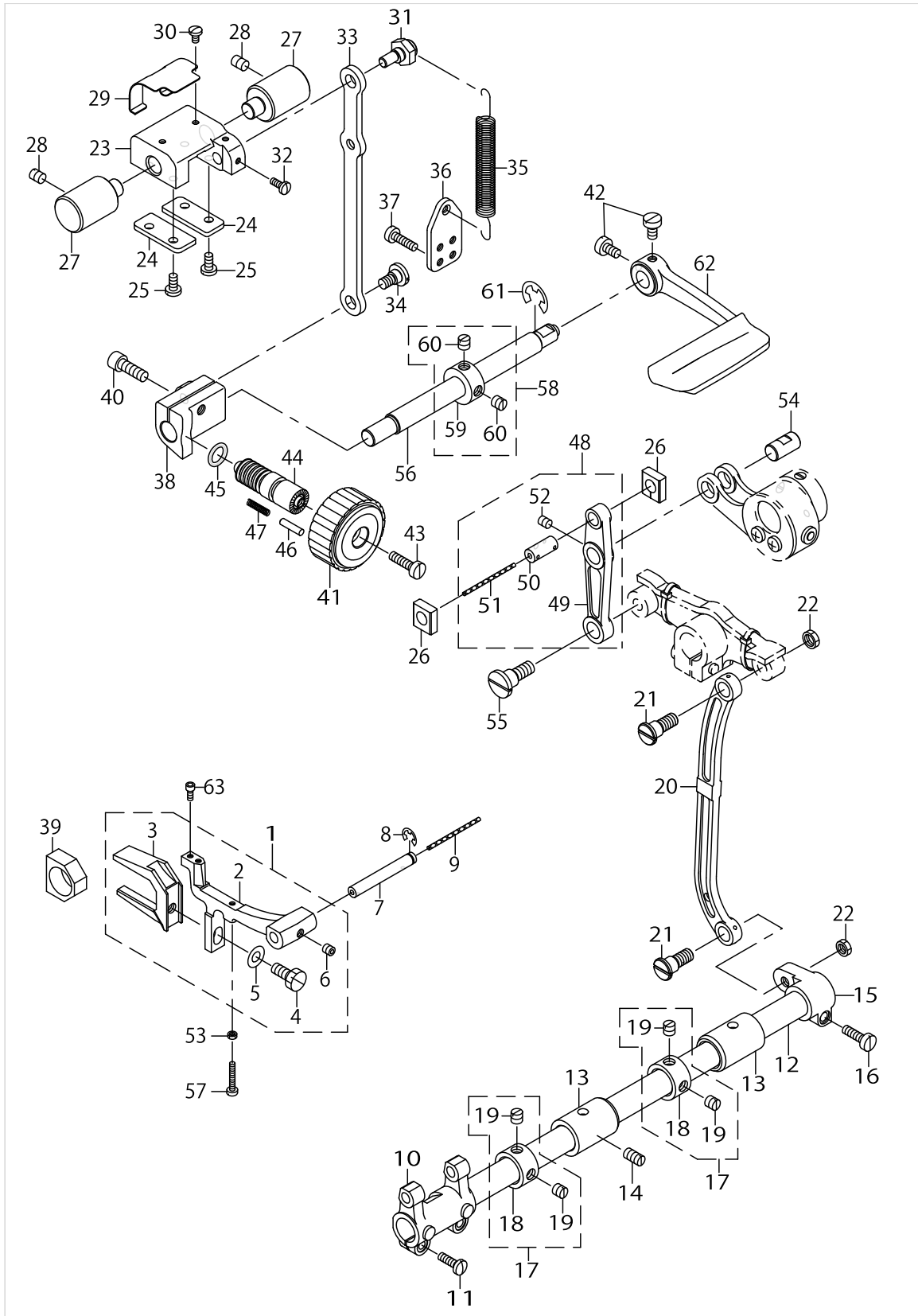
# FEED MECHANISM COMPONENTS



FEED MECHANISM COMPONENTS

No.	Parts No.	Parts name	Remarks	Level	Cons	Qty
1	21364252	FEED BASE ASM.				1
2	21364203	FEED BASE		*		1
3	10107902	FEED BAR FORK		*		1
4	SS9151440CP	SCREW 15/64-28 L=14		*		1
5	WP0621016SD	WASHER 6.2X13X1		*		1
6	SM8050502TP	SCREW M5 L=5		*		1
7	B1604012000A	FEED BAR SHAFT				1
8	RE0500711KP	SNAP RING 5				1
9	CQ202000000	OIL WICK				0.14
10	21364104	FEED ROCKER				1
11	SS7111410SP	SCREW 11/64-40 L=14				2
12	22609408	FEED ROCK SHAFT				1
13	21378302	FEED SHAFT METAL				2
14	SS8151150TP	SCREW 15/64-28 L=10.5				1
15	22609309	FEED ROCKER SHAFT CRANK				1
16	SS6121610TP	SCREW 3/16-28 L=15.5				1
17	22904155	MAIN SHAFT THRUST COLLAR ASM.				2
18	22904106	MAIN SHAFT THRUST COLLAR		*		1
19	SS8660610TP	SCREW 1/4-40 L=6		*		2
20	10205201	NEEDLE BAR FRAME ROD				1
21	SD0900701TP	HINGE SCREW D=9 H=7				1
22	NS6680320SP	NUT 9/32-28				1
23	21337506	FEED ADJUSTING BASE				1
24	21337704	FEED ADJUSTING BASE COVER				2
25	SS7110910TP	SCREW 11/64-40 L=8.5				4
26	21337407	SQUARE BLOCK				2
27	21337803	FEED ADJUSTING BASE SUPPORT				2
28	SS8150822TP	SCREW 15/64-28 L=8				2
29	21338306	FELT SUPPORT				1
30	SS7090610SP	SCREW 9/64-40 L=6				2
31	21337902	ECCENTRIC PIN				1
32	SS7090910TP	SCREW 9/64-40 L=8.5				2
33	21337308	FEED ADJUSTING ROD				1
34	SD0800402TP	HINGE SCREW D=8 H=4				1
35	21337605	SPRING				1
36	40019926	SPRING HOOK				1
37	SS6111610SP	SCREW 11/64-40 L=16				2
38	21337209	FEED ADJUSTING A				1
39	B1610512000	FEED DRIVING SLIDE BLOCK				1
40	SM6061802TP	SCREW M6 L=18				1
41	21336805	FEED DIAL A				1
42	SS6120930TP	SCREW 3/16-28 L=9				2
43	SS6121860SP	SCREW 3/16-28 L=18				1
44	22911804	FEED REGULATOR SCREW				1
45	RO092270200	RUBBER RING				1
46	22912000	FEED REGULATOR PIN				1
47	22912109	FEED REGULATOR PIN SPRING				1

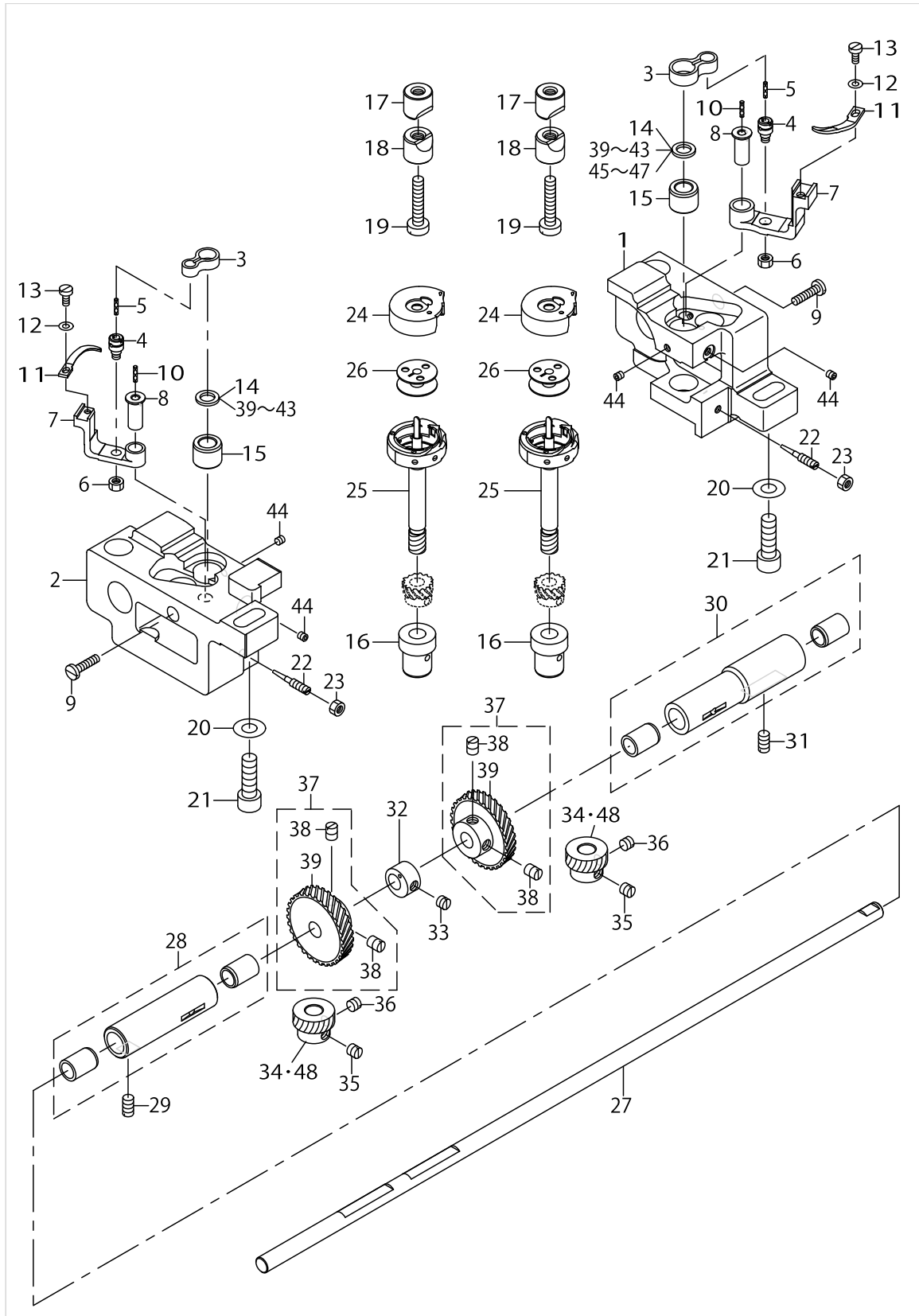
# FEED MECHANISM COMPONENTS



FEED MECHANISM COMPONENTS

No.	Parts No.	Parts name	Remarks	Level	Cons	Qty
48	21336656	FEED LINK ASM.				1
49	21336607	FEED LINK		*		1
50	40009103	CONNECTING FORKED LINK PIN		*		1
51	CQ202000000	OIL WICK		*		0.04
52	SM8050612TP	SCREW M5X6		*		1
53	NS6080210SP	NUT 1/8-44				1
54	21378906	FEED LINK PIN				1
55	SD1000801SH	HINGE SCREW D=10 H=8				1
56	21336300	BACKWARD FEED LEVER SHAFT				1
57	SS6081810SP	SCREW 1/8-44 L=18.0				1
58	CS1201010SH	THRUST COLLAR ASM. D=12 W=10				1
59	CS1201011SH	THRUST COLLAR D=12 W=10		*		1
60	SS8660610TP	SCREW 1/4-40 L=6		*		2
61	RE0900000K0	E-RING 9				1
62	21388004	REVERSE FEED CONTROL LEVER				1
63	SS6580752TP	SCREW 1/8-40 L=7				2

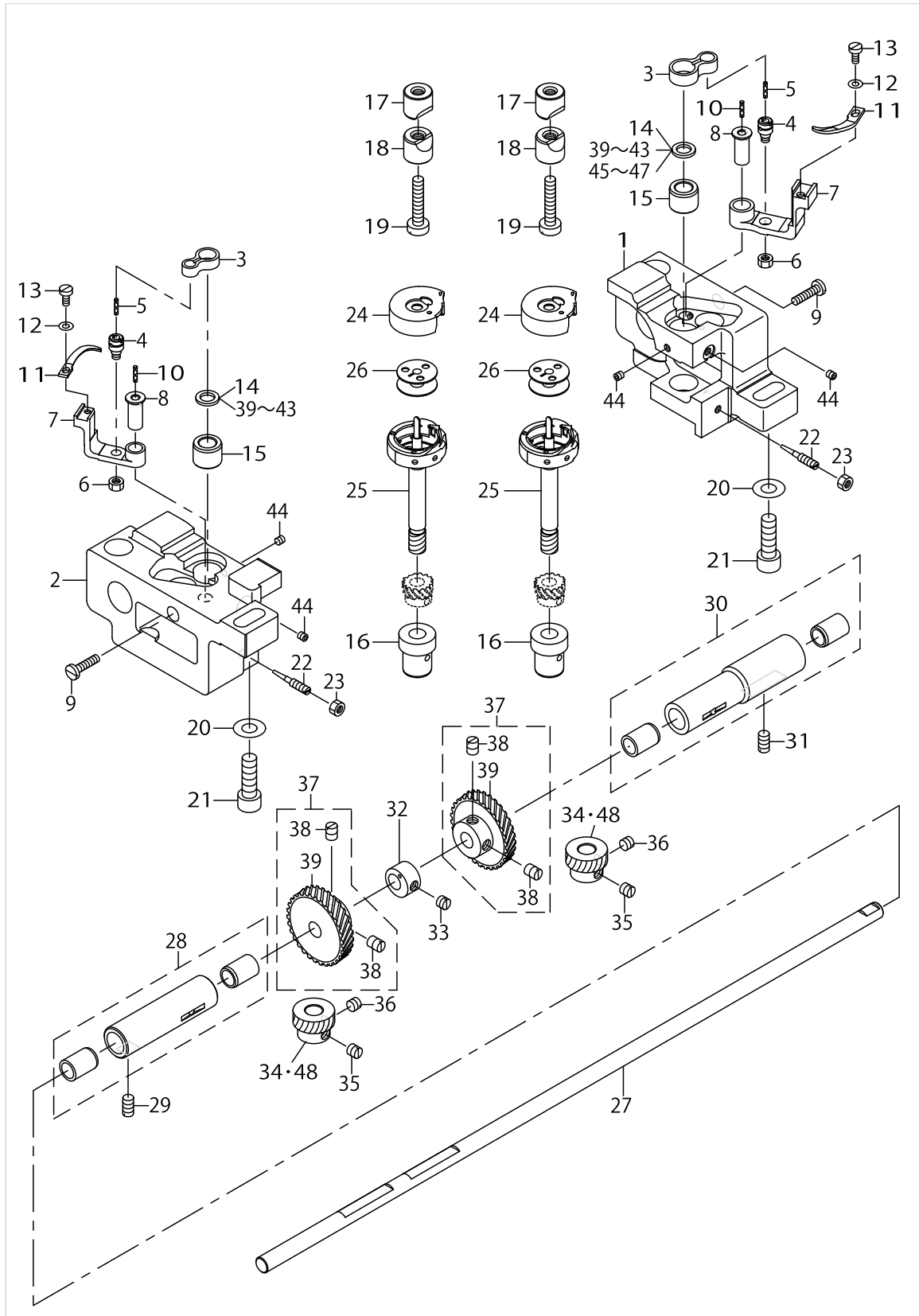
# HOOK SHAFT & LOWER SHAFT COMPONENTS



HOOK SHAFT & LOWER SHAFT COMPONENTS

No.	Parts No.	Parts name	Remarks	Level	Cons	Qty
1	21335005	HOOK SHAFT BASE (RIGHT)				1
2	21362009	HOOK SHAFT BASE(LEFT)				1
3	B1820563000	BOBBIN CASE OPENING LEVER LINK				2
4	B1821051000	CRANK SCREW STUD				2
5	CQ202000000	OIL WICK				0.02
6	NS6110420SP	NUT 11/64-40				2
7	B1822563000	BOBBIN CASE OPENING LEVER CRANK				2
8	B1823051000	OPENING LEVER CRANK PIN				2
9	SS7111810TP	SCREW 11/64-40 L=18				2
10	CQ202000000	OIL WICK				0.02
11	B1824563000	BOBBIN CASE OPENING LEVER				2
12	WP0371016SD	WASHER 3.7X8X1				2
13	SS6090810SP	SCREW 9/64-40 L=7.5				2
14	10111102	THRUST WASHER 1.3	SELECTIVE PARTS			2
15	21378500	HOOK SHAFT UPPER METAL				2
16	21334701	HOOK SHAFT LOWER METAL				2
17	10109908	SADDLE INSTALLING BLOCK UPPER				2
18	10112407	SADDLE INSTALLING BLOCK LOWER				2
19	SS6153040SP	SCREW 15/64-28 L=30				2
20	WP0850002SP	WASHER 8.5X18X1.6				2
21	SM6082502TP	SCREW M8 L=25				2
22	B1843563000	OIL ADJUSTING SCREW				2
23	NS6110420SP	NUT 11/64-40				2
24	B18375260A0	BOBBIN CASE				2
25	B18305210A0	VERTICAL HOOK ASM. A				2
26	B9117563000	BOBBIN				2
27	21361704	LOWER SHAFT				1
28	B18025120A0A	BUSHING ASM. FRONT				1
29	SS8151150TP	SCREW 15/64-28 L=10.5				1
30	B18035150A0	BUSHING ASM. INTERMEDIATE				1
31	SS8151150TP	SCREW 15/64-28 L=10.5				1
32	22609804	FEED DRIVING CAM				1
33	SS8660530TP	SCREW 1/4-40 L=4.5				1
34	B1817051000	HOOK DRIVING SHAFT GEAR SMALL	SELECTIVE PARTS			2
35	SS8660670SP	SCREW 1/4-40 L=6.1				2
36	SS8660530TP	SCREW 1/4-40 L=4.5				2
37	40162860	HOOK DRIVING SHAFT GEAR ASM				2
38	SS8660810TP	SCREW 1/4-40 L=8		*		2
39	B1816051000	HOOK DRIVING SHAFT GEAR LARGE		*		1
40	10109700	THRUST WASHER A	SELECTIVE PARTS			2
41	10109809	THRUST WASHER B	SELECTIVE PARTS			2
42	10110906	BUSHING THRUST 1.1	SELECTIVE PARTS			2
43	10111003	THRUST WASHER 1.2	SELECTIVE PARTS			2
44	10111201	THRUST WASHER 1.4	SELECTIVE PARTS			2
45	10112506	THRUST WASHER 1.6	SELECTIVE PARTS			2
46	10112605	THRUST WASHER 1.7	SELECTIVE PARTS			2
47	10112704	THRUST WASHER 1.8	SELECTIVE PARTS			2

# HOOK SHAFT & LOWER SHAFT COMPONENTS

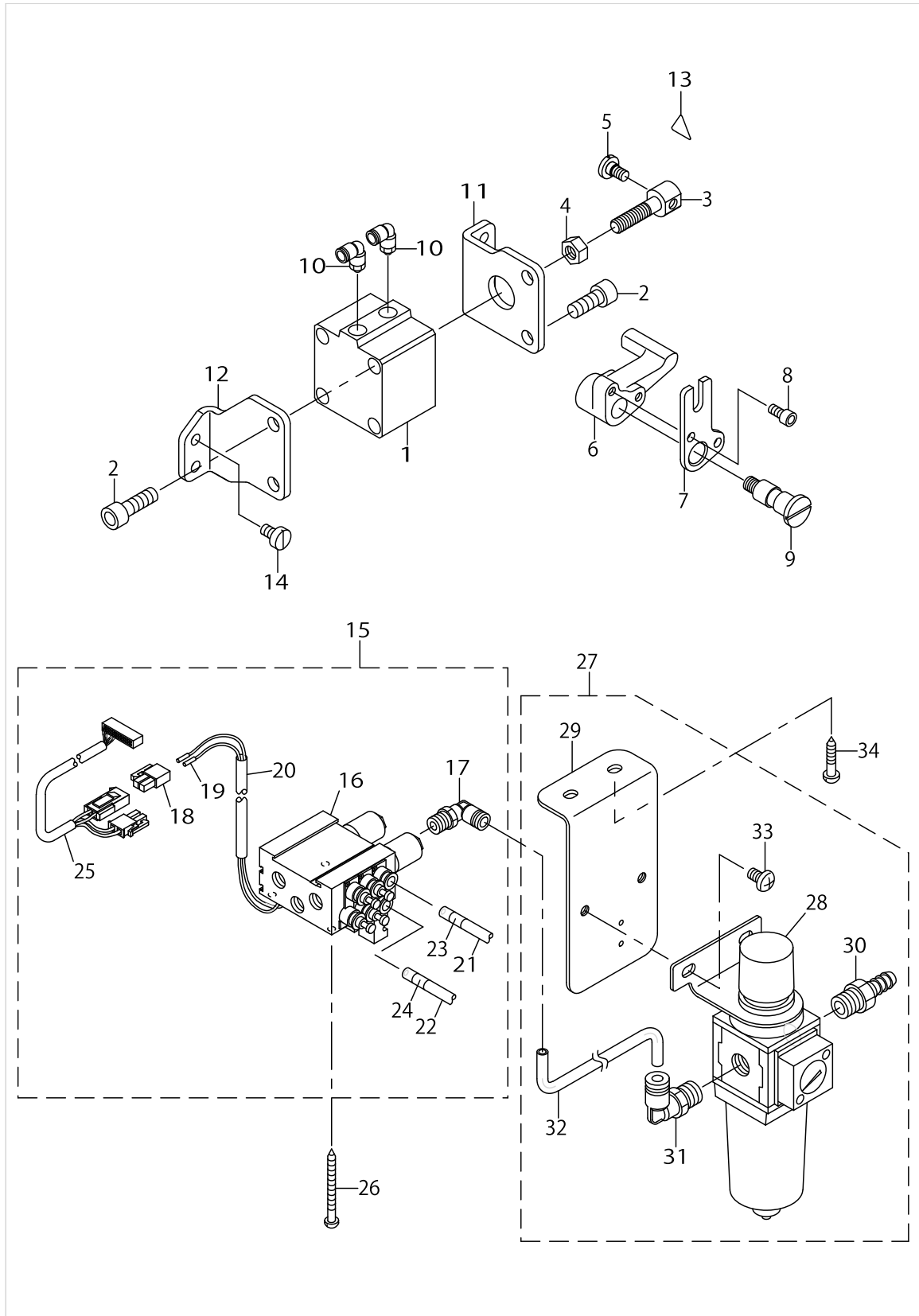


HOOK SHAFT & LOWER SHAFT COMPONENTS

No.	Parts No.	Parts name	Remarks	Level	Cons	Qty
48	40042611	HOOK DRIVING SHAFT GEAR	SELECTIVE PARTS			2
49	SS8110422TP	SCREW 11/64-40 L=4				4



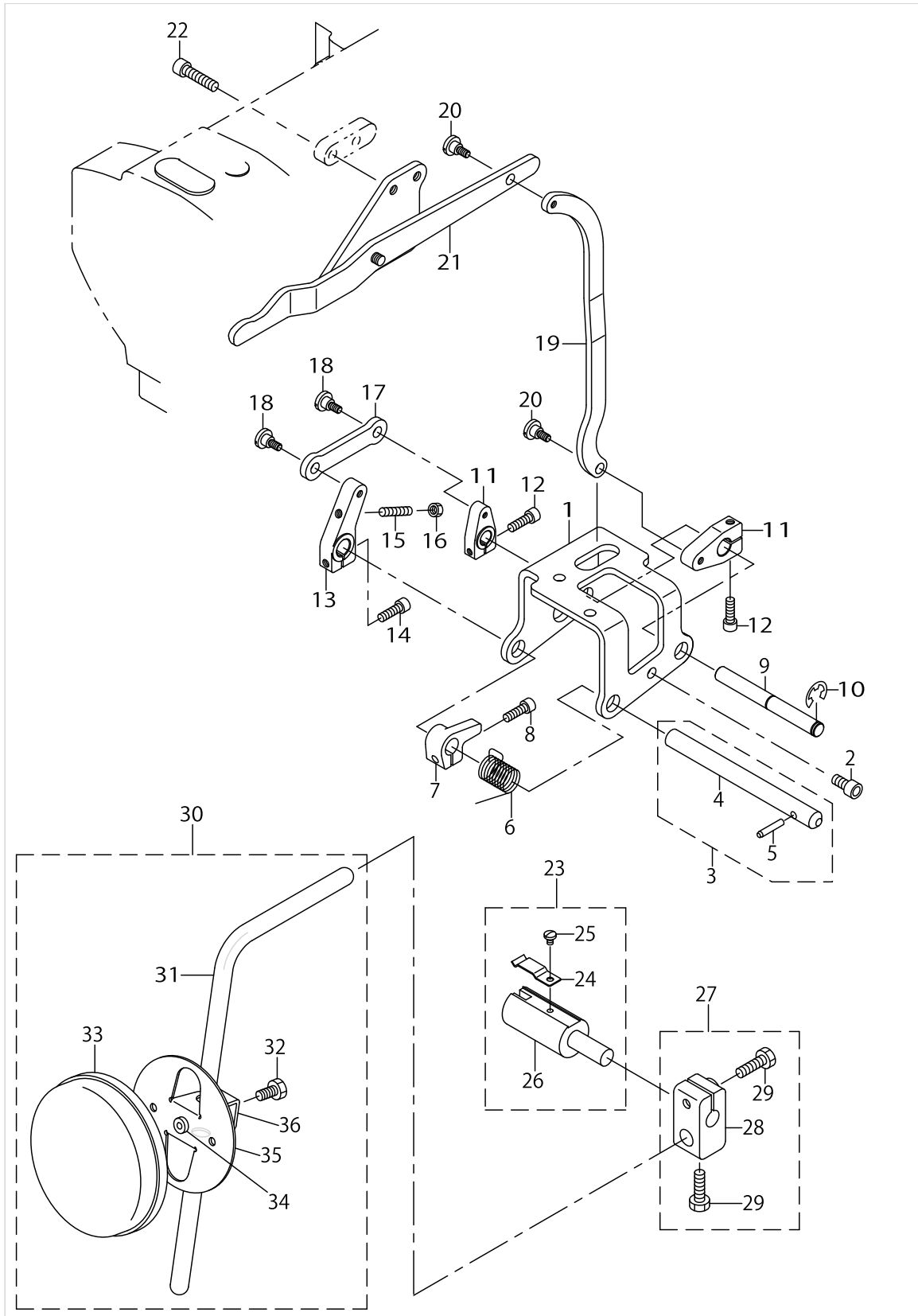
AUTOMATIC PRESSER LIFTING MECHANISM COMPONENTS (OPTIONAL PARTS)



AUTOMATIC PRESSER LIFTING MECHANISM COMPONENTS (OPTIONAL PARTS)

No.	Parts No.	Parts name	Remarks	Level	Cons	Qty
1	PA400150100	AIR CYLINDER				1
2	SM6082002TP	SCREW M8 L=20				4
3	21356506	CYLINDER CONNECTING SCREW				1
4	NM6080001SE	NUT M8				1
5	SD0720331SP	HINGE SCREW D=7.24 H=3.3				1
6	21356605	LEVER A				1
7	21356803	LEVER B				1
8	SM6051002TP	SCREW M5X0.8 L=10				2
9	21356704	SHAFT				1
10	PJ304065101	ELBOW UNION 6XPT1/8				2
11	21356308	CYLINDER STAY(FRONT)				1
12	21356407	CYLINDER STAY(REAR)				1
13	CM300200001	ATTENTION SEAL				1
14	SS6151040SP	SCREW 15/64-28 L=10				4
15	40103003	AIR APPARATUS(P)ASM.				1
16	40038904	MAGNETIC VALVE(P)		*		1
17	GAK29010000	ELBOW B		*		1
18	HK034610020	2-POLE NYLON PLUG		*		1
19	HK03464000A	TERMINAL FEMALE		*		2
20	GAKA1503000	INSULATION TUBE		*		1
21	BT0600401EB	TUBE		*		1.3
22	BT0600401EB	TUBE		*		1.3
23	HX00295000A	WIRE MARK(2)		*		4
24	HX00295000B	WIRE MARK(3)		*		4
25	40105811	CORD ASM.		*		1
26	SK3385001SE	WOOD SCREW D=3.8 L=50				4
27	40038722	FILTER REGULATAR ASM.				1
28	PF0552170A0	FILTER REGULATOR		*		1
29	40038723	FILTER REGULATOR MOUNTING PLATE		*		1
30	40107618	NIPPLE		*		1
31	GAK29009000	ELBOW		*		1
32	BT0600401EB	TUBE		*		0.28
33	SM4061001SB	SCREW M6 L=10		*		2
34	SK3482501SE	WOOD SCREW D=4.8 L=25				2

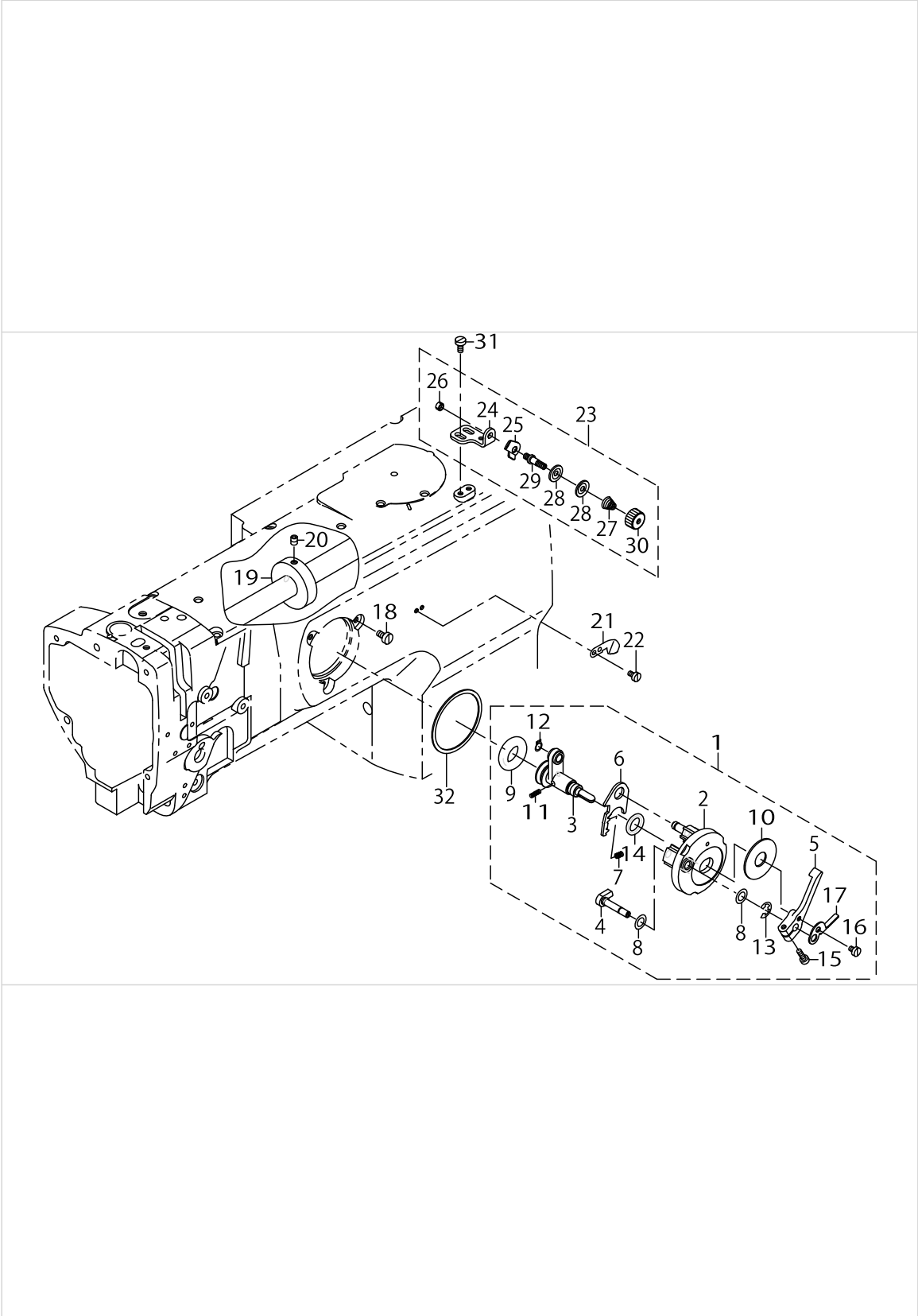
# KNEE LIFTING COMPONENTS



KNEE LIFTING COMPONENTS

No.	Parts No.	Parts name	Remarks	Level	Cons	Qty
1	21343207	KNEE LIFTER SHAFT BASIS				1
2	SM6061202TP	SCREW M6 L=12				3
3	21342555	KNEE LIFTER SHAFT A ASM.				1
4	21342506	KNEE LIFTER SHAFT A		*		1
5	21342605	KNEE LIFTER SHAFT PIN		*		1
6	21343702	KNEE LIFTER SHAFT A SPRING				1
7	21343801	KNEE LIFTER SPRING RACK				1
8	SM6051602TP	SCREW M5X0.8 L=16				1
9	21342704	KNEE LIFTER SHAFT B				1
10	RE0800000K0	E-SHAPED SNAP RING (8MM)				1
11	21343009	KNEE LIFTER LEVER B				2
12	SM6052002TP	SCREW M5 L=20				2
13	21342803	KNEE LIFTER LEVER A				1
14	SM6052002TP	SCREW M5 L=20				1
15	SM8052502TP	SCREW M5X0.8 L=25				1
16	NM6050001SD	NUT M5X0.8				1
17	21342902	KNEE LIFTER LINK				1
18	SD0700451TP	HINGE SCREW D=7 H=4.5				2
19	21343405	KNEE LIFTER CONNECTING PLATE				1
20	SD0700451TP	HINGE SCREW D=7 H=4.5				2
21	21343355	KNEE LIFTER LEVER ASM.				1
22	SM6062502TP	SCREW M6 L=25				2
23	22863252	KNEE LIFTER JOINT ASM.				1
24	B3428521000	PRESSER SPRING		*		1
25	SS7090510SP	SCREW 9/64-40 L=4.6		*		1
26	22863203	KNEE LIFTER JOINT		*		1
27	22932453	BRACKET ASM.				1
28	22932404	BRACKET		*		1
29	22934707	SCREW		*		2
30	21343157	KNEE PRESS PLATE ASM.				1
31	21343108	KNEE PRESS LEVER		*		1
32	SM9061203SE	SCREW M6 L=12		*		1
33	22934509	KNEE PAD PLATE COVER		*		1
34	22934400	KNEE PAD PLATE RUBBER		*		1
35	22934202	KNEE PAD PLATE		*		1
36	22934301	KNEE PAD PLATE SUPPORT		*		1

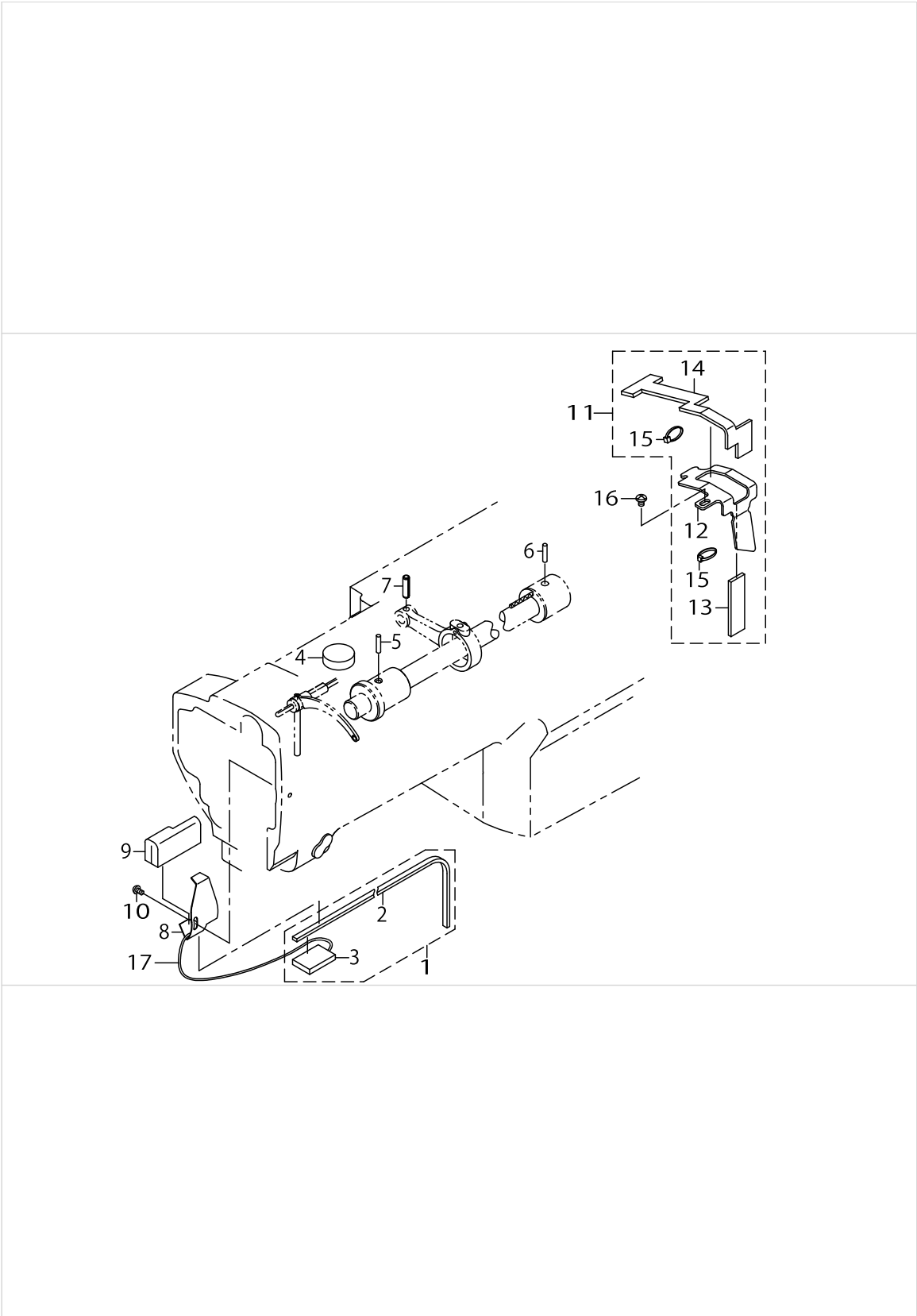
LOWER THREAD WINDER MECHANISM COMPONENTS



LOWER THREAD WINDER MECHANISM COMPONENTS

No.	Parts No.	Parts name	Remarks	Level	Cons	Qty
1	21357967	BOBBIN DEVICE ASM.				1
2	22537658	BOBBIN FITTING BASIS COMPL.		*		1
3	21357959	BOBIN SHAFT COMPL.		*		1
4	22538151	BOBBIN CAM SHAFT COMPL.		*		1
5	23636202	BOBBIN LEVER		*		1
6	21356001	ADJUSTING PLATE		*		1
7	B152989000CA	PRESSUR FOOT SPRING		*		1
8	10618304	VERTICAL ROLLER WASHER		*		2
9	21358205	RUBBER RING		*		1
10	B3205210000	CUSHION		*		1
11	B1148555000	SPRING		*		1
12	RC0560711KP	RETAINING RING		*		1
13	RE0500000K0	E-RING		*		1
14	RO092270200	RUBBER RING		*		1
15	SS7091410SP	SCREW 9/64-40 L=13.5		*		1
16	SS6090520SP	SCREW 9/64-40 L=5.0		*		1
17	14512503	BOBBIN ADJU		*		1
18	SS6110810TP	SCREW 11/64-40 L=8				3
19	10704807	BOBBIN FRICTION WHEEL				1
20	SM8050602TP	SCREW M5 L=6				2
21	10502300	THREAD CUTTER				1
22	SS6090620SP	SCREW 9/64-40 L=6				2
23	21355755	LOWER THREAD GUIDE ASM.				1
24	21355706	FITTING BASE		*		1
25	D3162555B00	THREAD GUIDE		*		1
26	NS6110310SP	NUT 11/64-40		*		1
27	22945505	THREAD TENSION SPRING		*		1
28	40113092	THREAD TENSION DISK		*		2
29	21378708	THREAD TENSION POST		*		1
30	22945703	THREAD TENSION NUT		*		1
31	SM6040800SP	SCREW				2
32	22538706	PACKING				1

LUBRICATION COMPONENTS

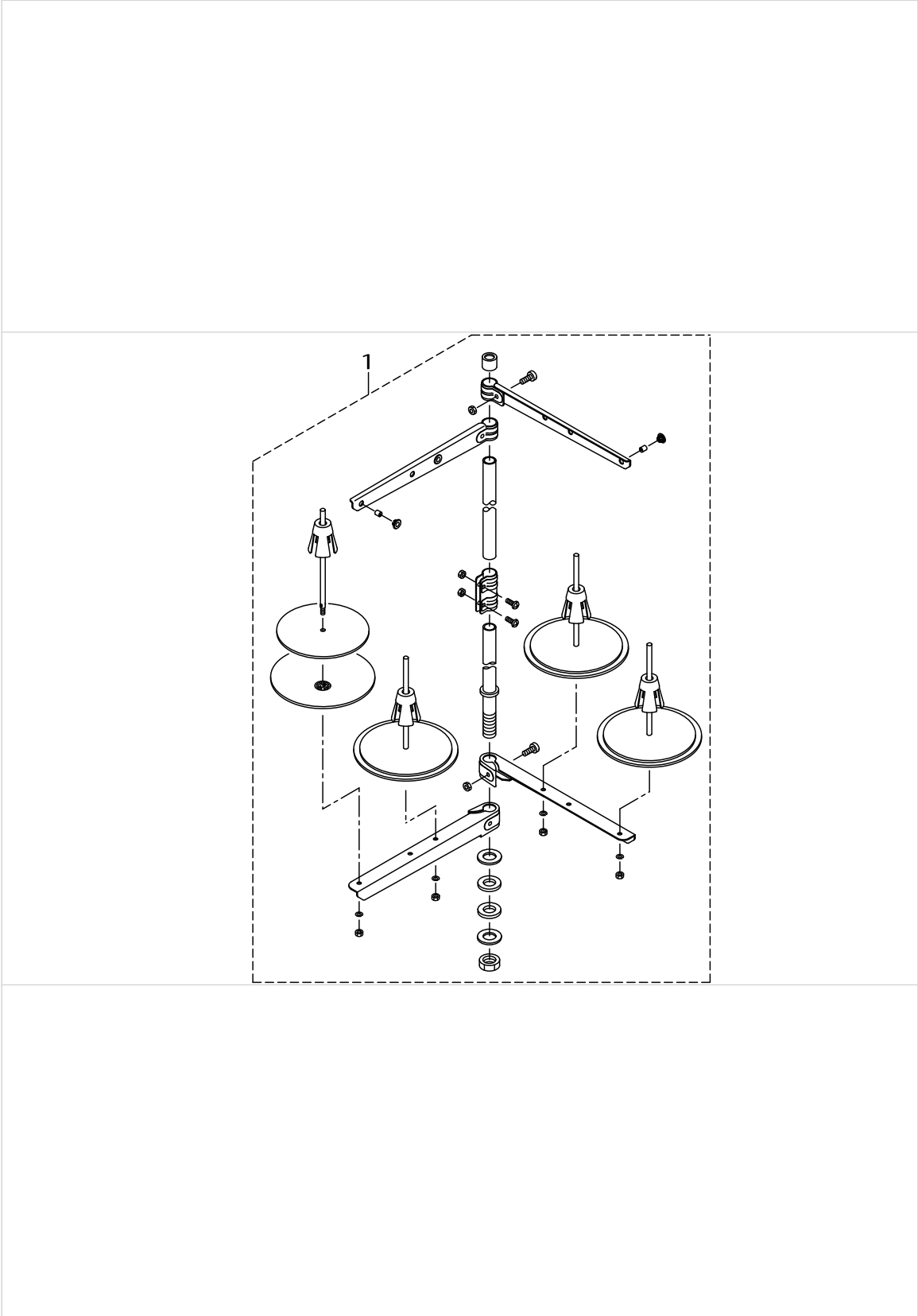


LUBRICATION COMPONENTS

No.	Parts No.	Parts name	Remarks	Level	Cons	Qty
1	21345855	FELT (ASM.)				1
2	21345806	FELT B		*		1
3	21345905	FACE ONCE THROUGH FELT		*		1
4	21346002	FELT				1
5	B1412051000	FELT				1
6	B1412051000	FELT				1
7	PS0500202KP	SPRING PIN 5X20				1
8	21347000	TAKE-UP OIL PLATE				1
9	21347208	TAKE-UP LUBRICATION FELT				1
10	SS3090610SP	SCREW 9/64-40 L=6				1
11	21346358	FELT SUPPORT ASM.				1
12	21346309	FELT		*		1
13	21346408	FELT		*		1
14	21346507	FEED CHANGE FELT		*		1
15	EA9500B0000	CLIP CV-70S		*		2
16	SS4110615SP	SCREW 11/64-40 L=6				1
17	CQ202000000	OIL WICK				0.2



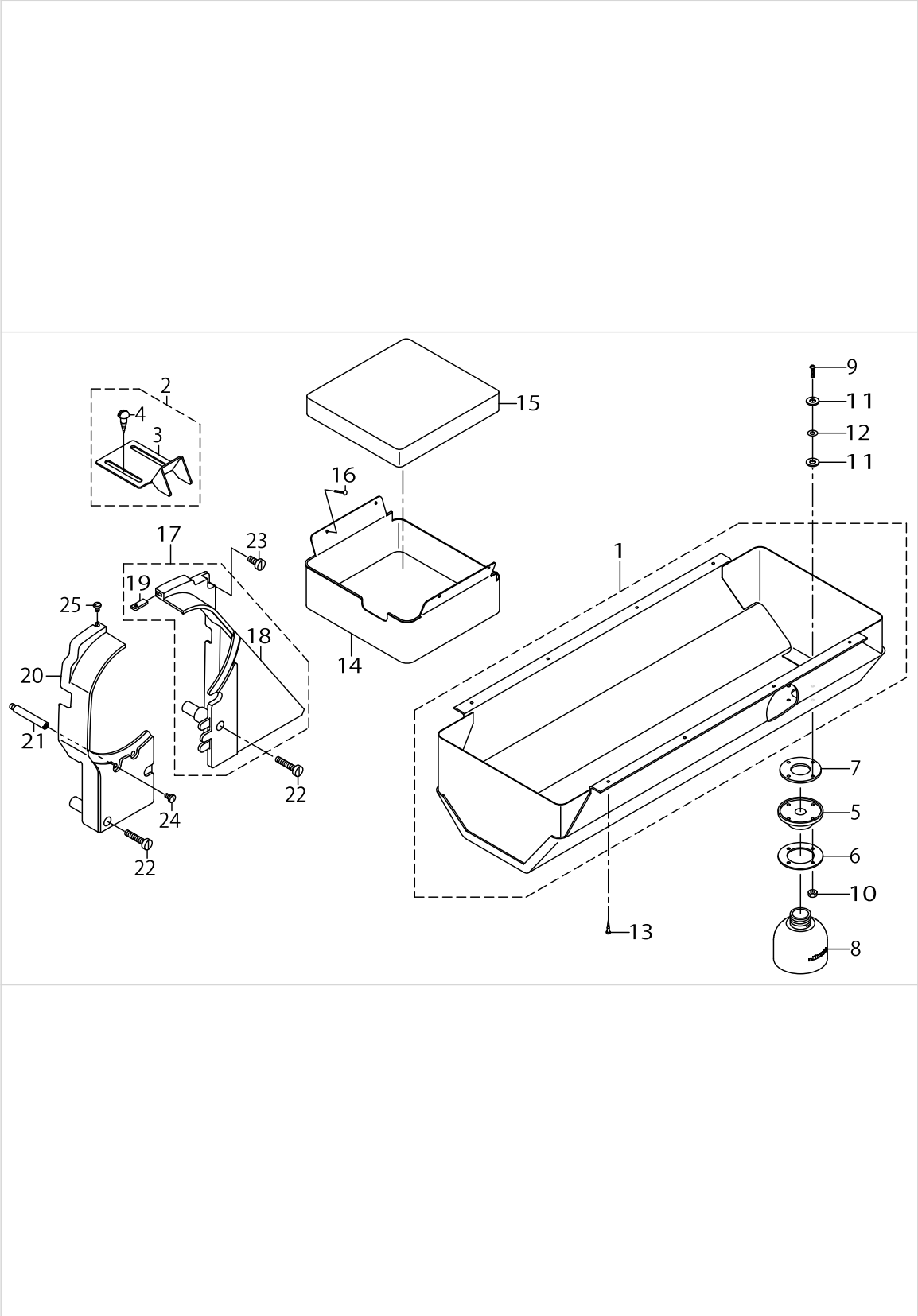
THREAD STAND COMPONENTS



THREAD STAND COMPONENTS

No.	Parts No.	Parts name	Remarks	Level	Cons	Qty
1	26910158	THREAD STANDING DEVICE ASM.				1

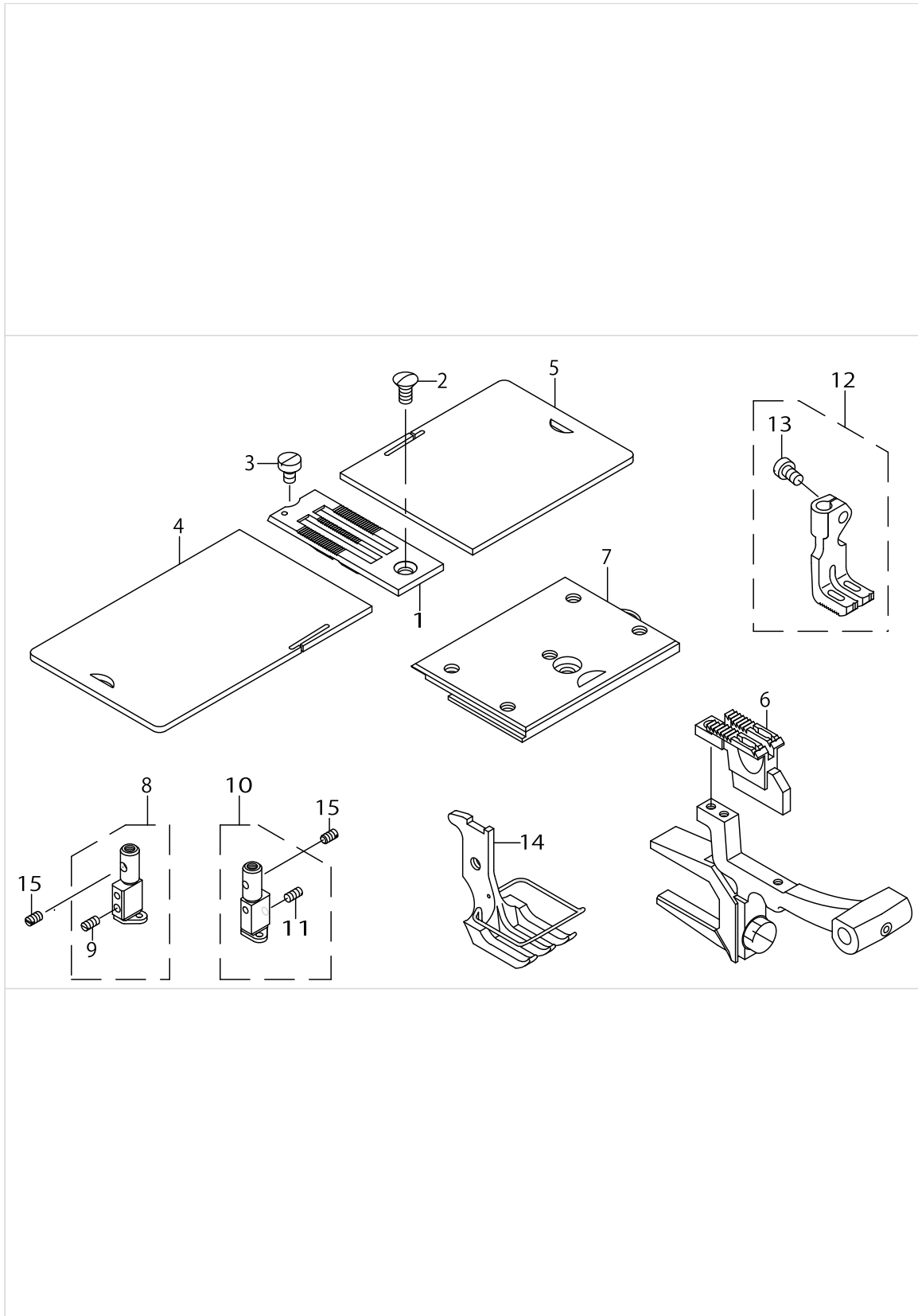
BELT COVER & OIL RESERVOIR COMPONENTS



BELT COVER & OIL RESERVOIR COMPONENTS

No.	Parts No.	Parts name	Remarks	Level	Cons	Qty
1	21351457	OIL RESERVOIR ASM.				1
2	10755254	BELT COVER C ASM. (FOR JE)				1
3	10755205	BELT COVER C(JE)		*		1
4	SK3482500SC	WOOD SCREW D=4.8 L=25		*		2
5	40025299	OIL POT JOINT				1
6	21379003	OIL MANAGEMENT WASHER				1
7	B8112220000	OIL SEAL				1
8	40025300	OIL POT				1
9	SM3031401SE	SCREW M3X0.5 L=14				4
10	NM6030001SC	NUT M3				4
11	10748101	OIL REMOVING SETSCREW PACKING				8
12	WP0320501SC	WASHER M3				4
13	SK3241601SC	WOOD SCREW D=2.4 L=16				8
14	B1839563000	OIL RECEIVING COVER				1
15	B1841563000	OIL DRIP FELT				1
16	10539906	SET NAIL				4
17	21351150	BELT COVER ASM. (RIGHT)				1
18	21351101	BELT COVER (RIGHT)		*		1
19	21351002	BELT COVER AUXILIARY PLATE		*		1
20	21351200	BELT COVER (LEFT)				1
21	D8232241E00	BELT COVER SUPPORT A				1
22	SS6153040SP	SCREW 15/64-28 L=30				2
23	SS6151440SP	SCREW 15/64-28 L=14				1
24	SS7110840SP	SCREW 11/64-40 L=7.8				1
25	SS5110740TP	SCREW 11/64-40 L= 6.5				1

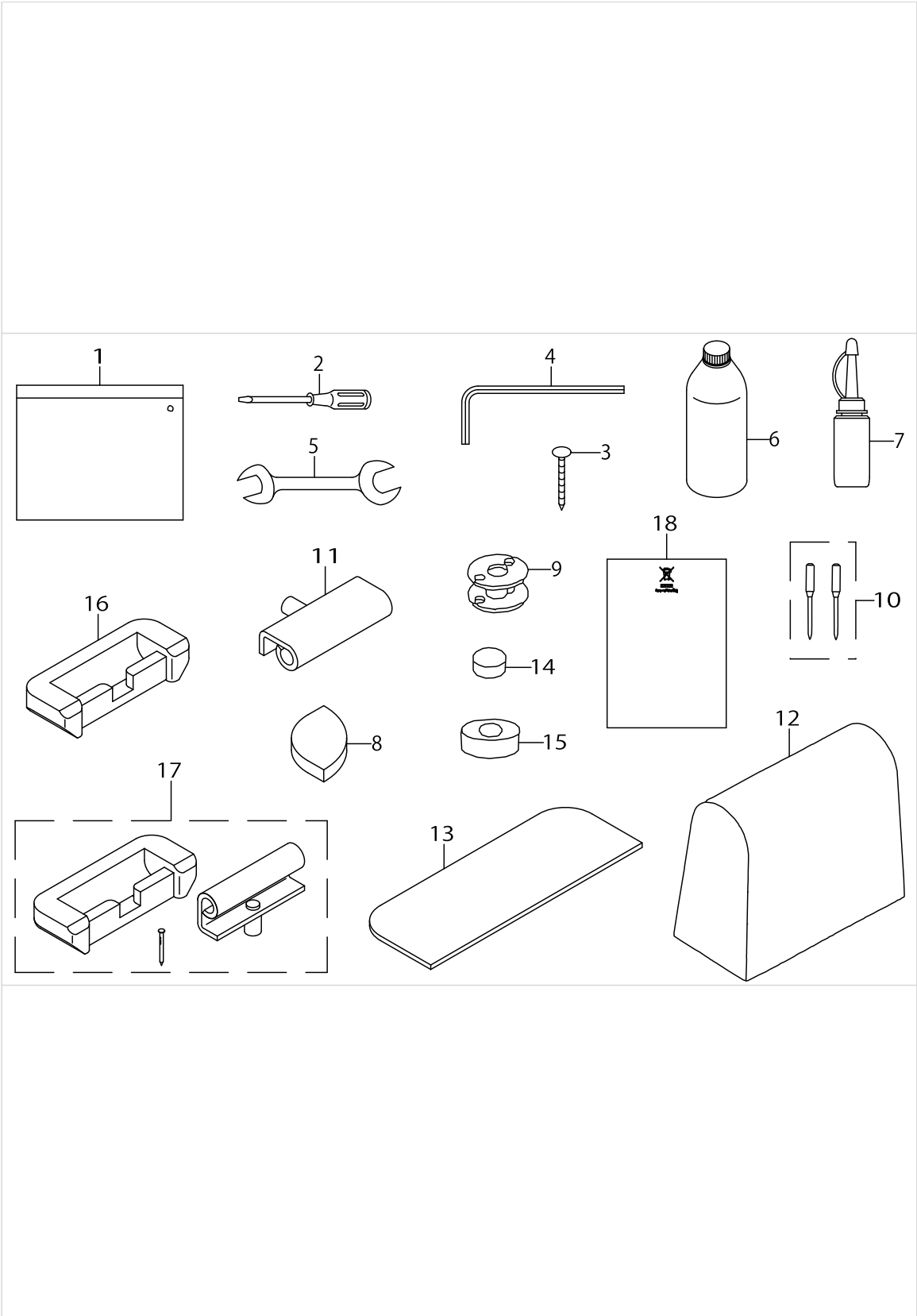
GAUGE COMPONENTS (STANDARD PARTS)



GAUGE COMPONENTS (STANDARD PARTS)

No.	Parts No.	Parts name	Remarks	Level	Cons	Qty
1	B1109521H00	THROAT PLATE 5/16	EXCHANGING GAUGE PARTS			1
2	SS2110920TP	SCREW 11/64-40 L=8.5				1
3	SS6090630SP	SCREW 9/64-40 L=6				1
4	B1112512E00	BED SLIDE LEFT	EXCHANGING GAUGE PARTS			1
5	21377304	BED SLIDE LIGHT	EXCHANGING GAUGE PARTS			1
6	B1613521H00	FEED DOG 5/16	EXCHANGING GAUGE PARTS			1
7	22650055	BED SLIDE ASM.				1
8	B1402526HALA	NEEDLE CLAMP LEFT ASM. 5/16	EXCHANGING GAUGE PARTS (OR- DER FOR NEEDLE CLAMP ONLY CANNOT BE ACCEPTED.)			1
9	SS8080660TP	SCREW 1/8-44 L=5.5		*		1
10	B1402526HARA	NEEDLE CLAMP RIGHT ASM. 5/16	EXCHANGING GAUGE PARTS (OR- DER FOR NEEDLE CLAMP ONLY CANNOT BE ACCEPTED.)			1
11	SS8080660TP	SCREW 1/8-44 L=5.5		*		1
12	B1470521HA0	WALKING FOOT ASM. 5/16	EXCHANGING GAUGE PARTS			1
13	SS6110710TP	SCREW 11/64-40 L= 6.5		*		1
14	21367859	PRESSER FOOT ASM. 5/16	EXCHANGING GAUGE PARTS			1
15	B1425526000	SCREW 1/8-44 L=6				2

ACCESSORIES PARTS COMPONENTS


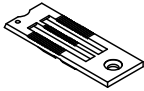
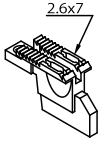
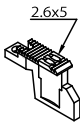
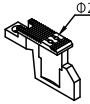



ACCESSORIES PARTS COMPONENTS





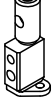
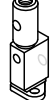

No.	Parts No.	Parts name	Remarks	Level	Cons	Qty
1	21413158	ACCESSORY BAG ASM.				1
2	22933006	SCREW DRIVER LARGE				1
3	B8210012000	CUSHION SET NAIL	COMPLETE SET D- ELIVERY ONLY			8
4	B9102057000	WRENCH (3/32)				1
5	B9113012000	WRENCH (9X10)				1
6	MDFRX2700C0	NEW DEFRIX OIL NO.2(700CC)				1
7	B91210120A0	OILER ASM.				1
8	B8207012000	CUSHION (A)				4
9	B9117563000	BOBBIN				1
10	M13517B1602	NEEDLE 135X17 #160-2				1
11	22926356	HINGE COMPL.				2
12	22933303	VINYL COVER				1
13	10742005	SPACER				2
14	B8206012000	FELT CUSHION				4
15	B8209012000	RUBBER CUSHION				4
16	22926000	RUBBER CUSHION				2
17	21413257	RUBBER HINGE ASM.	HEAD ONLY, HEAD AND MOTOR DELIVERY ONLY			1
18	CM600100201	WEEE INFORMATION SHEET				



TABLE OF EXCHANGE GAUGE PARTS

Needle gauge size 針 幅	Throat plate 針 板		Feed Dog 送 り 歯		Feed Dog 送 り 歯		Feed Dog 送 り 歯		Presser Foot asm. 押 さ え 足 組		
	Ref.No	Part No.	Ref.No	Part No.	Ref.No	Part No.	Ref.No	Part No.	Ref.No	Part No.	
											
	(3/16)	1	B1109-521-D00	6	B1613-521-D00	11	B1613-521-D0A	16	B1613-521-D0B	21	213-67651
	(1/4)	2	B1109-521-F00	7	B1613-521-F00	12	B1613-521-F0A	17	B1613-521-F0B	22	213-67750
	(5/16)	3	B1109-521-H00	8	B1613-521-H00	13	B1613-521-H0A	18	B1613-521-H0B	23	213-67859
	(3/8)	4	B1109-521-K00	9	B1613-521-K00	14	B1613-521-K0A	19	B1613-521-K0B	24	213-67958
	(1/2)	5	B1109-521-L00	10	B1613-521-L00	15	B1613-521-L0A	20	B1613-521-L0B	25	213-68055

Needle gauge size 針 幅	Feed Foot asm. 送 り 足 組		Feed Foot asm. (Option) 送 り 足 組 (オ プ シ ョ ン)		Feed Foot asm. 送 り 足 組		Needle clamp asm. (Left) 針 留 組 (左)		Needle clamp asm. (Right) 針 留 組 (右)		Needle clamp 針 留		
	Ref.No	Part No.	Ref.No	Part No.	Ref.No	Part No.	Ref.No	Part No.	Ref.No	Part No.	Ref.No	Part No.	
													
	(3/16)	26	B1470-521-DA0	31	213-73550			37	B1402-526-DAL-A	42	B1402-526-DAR-A	47	B1402-526-D00
	(1/4)	27	B1470-521-FA0	32	213-73659			38	B1402-526-FAL-A	43	B1402-526-FAR-A	48	B1402-526-F00
	(5/16)	28	B1470-521-HA0	33	213-73758			39	B1402-526-HAL-A	44	B1402-526-HAR-A	49	B1402-526-H00
	(3/8)	29	B1470-521-KA0	34	213-73857	36	B1470-521-KAX	40	B1402-526-KAL-A	45	B1402-526-KAR-A	50	B1402-526-K00
	(1/2)	30	B1470-521-LA0	35	213-73956			41	B1402-526-LAL-A	46	B1402-526-LAR-A	51	B1402-526-L00




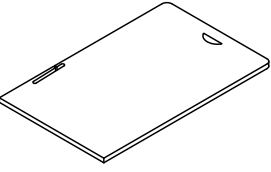
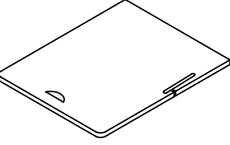
Needle gauge size 針 幅	Needle clamp Thread Guide 針 留 め 糸 案内		Needle clamp Thread Guide Setscrew 針 留 め 糸 案内 止 ね じ		Bed Slide asm. (Left) 滑 り 板 (左)		Bed Slide asm. (Right) 滑 り 板 (右)		
	Ref.No	Part No.	Ref.No	Part No.	Ref.No	Part No.	Ref.No	Part No.	
									
	(3/16)	52	B1403-526-000	53	SS-5060310-SP	54	B1112-512-E00	56	213-77304
	(1/4)								
	(5/16)								
	(3/8)								
(1/2)	55								

TABLE OF EXCHANGE GAUGE PARTS

No.	Parts No.	Parts name	Remarks	Level	Cons	Qty
1	B1109521D00	THROAT PLATE 3/16				1
2	B1109521F00	THROAT PLATE 1/4				1
3	B1109521H00	THROAT PLATE 5/16				1
4	B1109521K00	THROAT PLATE 3/8				1
5	B1109521L00	THROAT PLATE 1/2				1
6	B1613521D00	FEED DOG 3/16				1
7	B1613521F00	FEED DOG 1/4				1
8	B1613521H00	FEED DOG 5/16				1
9	B1613521K00	FEED DOG 3/8				1
10	B1613521L00	FEED DOG 1/2				1
11	B1613521D0A	FEED DOG 3/16				1
12	B1613521F0A	FEED DOG 1/4				1
13	B1613521H0A	FEED DOG 5/16 2.6X5				1
14	B1613521K0A	FEED DOG 3/8				1
15	B1613521L0A	FEED DOG 1/2				1
16	B1613521D0B	FEED DOG 3/16				1
17	B1613521F0B	FEED DOG 1/4				1
18	B1613521H0B	FEED DOG 5/16 2				1
19	B1613521K0B	FEED DOG 3/8				1
20	B1613521L0B	FEED DOG 1/2				1
21	21367651	PRESSER FOOT ASM. 3/16				1
22	21367750	PRESSER FOOT ASM. 1/4				1
23	21367859	PRESSER FOOT ASM. 5/16				1
24	21367958	PRESSER FOOT ASM. 3/8				1
25	21368055	PRESSER FOOT ASM. 1/2				1
26	B1470521DA0	WALKING FOOT ASM. 3/16				1
27	B1470521FA0	WALKING FOOT ASM. 1/4				1
28	B1470521HA0	WALKING FOOT ASM. 5/16				1
29	B1470521KA0	WALKING FOOT ASM. 3/8				1
30	B1470521LA0	WALKING FOOT ASM. 1/2				1
31	21373550	WALKING FOOT ASM. 3/16				1
32	21373659	WALKING FOOT ASM. 1/4				1
33	21373758	WALKING FOOT ASM. 5/16				1
34	21373857	WALKING FOOT ASM. 3/8				1
35	21373956	WALKING FOOT ASM. 1/2				1
36	B1470521KAX	WALKING FOOT ASM. 3/8				1
37	B1402526DALA	NEEDLE CLAMP LEFT ASM. 3/16				1
38	B1402526FALA	NEEDLE CLAMP LEFT ASM. 1/4				1
39	B1402526HALA	NEEDLE CLAMP LEFT ASM. 5/16				1
40	B1402526KALA	NEEDLE CLAMP LEFT ASM. 3/8				1
41	B1402526LALA	NEEDLE CLAMP LEFT ASM. 1/2				1
42	B1402526DARA	NEEDLE CLAMP RIGHT ASM. 3/16				1
43	B1402526FARA	NEEDLE CLAMP RIGHT ASM. 1/4				1
44	B1402526HARA	NEEDLE CLAMP RIGHT ASM. 5/16				1
45	B1402526KARA	NEEDLE CLAMP RIGHT ASM. 3/8				1
46	B1402526LARA	NEEDLE CLAMP RIGHT ASM. 1/2				1
47	B1402526D00	NEEDLE CLAMP 3/16				1

TABLE OF EXCHANGE GAUGE PARTS

Needle gauge size 針 幅	Throat plate 針 板		Feed Dog 送 り 歯		Feed Dog 送 り 歯		Feed Dog 送 り 歯		Presser Foot asm. 押 さ え 足 組	
	Ref.No	Part No.	Ref.No	Part No.	Ref.No	Part No.	Ref.No	Part No.	Ref.No	Part No.
(3/16)	1	B1109-521-D00	6	B1613-521-D00	11	B1613-521-D0A	16	B1613-521-D0B	21	213-67651
(1/4)	2	B1109-521-F00	7	B1613-521-F00	12	B1613-521-F0A	17	B1613-521-F0B	22	213-67750
(5/16)	3	B1109-521-H00	8	B1613-521-H00	13	B1613-521-H0A	18	B1613-521-H0B	23	213-67859
(3/8)	4	B1109-521-K00	9	B1613-521-K00	14	B1613-521-K0A	19	B1613-521-K0B	24	213-67958
(1/2)	5	B1109-521-L00	10	B1613-521-L00	15	B1613-521-L0A	20	B1613-521-L0B	25	213-68055

Needle gauge size 針 幅	Feed Foot asm. 送 り 足 組		Feed Foot asm. (Option) 送 り 足 組 (オ プ シ ョ ン)		Feed Foot asm. 送 り 足 組		Needle clamp asm. (Left) 針 留 組 (左)		Needle clamp asm. (Right) 針 留 組 (右)		Needle clamp 針 留	
	Ref.No	Part No.	Ref.No	Part No.	Ref.No	Part No.	Ref.No	Part No.	Ref.No	Part No.	Ref.No	Part No.
(3/16)	26	B1470-521-DA0	31	213-73550			37	B1402-526-DAL-A	42	B1402-526-DAR-A	47	B1402-526-D00
(1/4)	27	B1470-521-FA0	32	213-73659			38	B1402-526-FAL-A	43	B1402-526-FAR-A	48	B1402-526-F00
(5/16)	28	B1470-521-HA0	33	213-73758			39	B1402-526-HAL-A	44	B1402-526-HAR-A	49	B1402-526-H00
(3/8)	29	B1470-521-KA0	34	213-73857	36	B1470-521-KAX	40	B1402-526-KAL-A	45	B1402-526-KAR-A	50	B1402-526-K00
(1/2)	30	B1470-521-LA0	35	213-73956			41	B1402-526-LAL-A	46	B1402-526-LAR-A	51	B1402-526-L00

Needle gauge size 針 幅	Needle clamp Thread Guide 針 留 め 糸 案内		Needle clamp Thread Guide Setscrew 針 留 め 糸 案内 止 ね じ		Bed Slide asm. (Left) 滑 り 板 (左)		Bed Slide asm. (Right) 滑 り 板 (右)	
	Ref.No	Part No.	Ref.No	Part No.	Ref.No	Part No.	Ref.No	Part No.
(3/16)	52	B1403-526-000	53	SS-5060310-SP	54	B1112-512-E00	56	213-77304
(1/4)					55			
(5/16)								
(3/8)								
(1/2)								

TABLE OF EXCHANGE GAUGE PARTS

No.	Parts No.	Parts name	Remarks	Level	Cons	Qty
48	B1402526F00	NEEDLE CLAMP1/4				1
49	B1402526H00	NEEDLE CLAMP 5/16				1
50	B1402526K00	NEEDLE CLAMP 3/8				1
51	B1402526L00	NEEDLE CLAMP 1/2				1
52	B1403526000	THREAD GUIDE				1
53	SS5060310SP	SCREW 3/32-56 L=2.8				1
54	B1112512E00	BED SLIDE LEFT				1
55	B1112512J00	BED SLIDE LEFT				1
56	21377304	BED SLIDE LIGHT				1



## HOW TO MAKE USE OF THIS PARTS LIST

### 1.Explanation of codes

1)"\*"mark.....means this part is changed from the previous parts book.

As to the details of the change, refer to the "List for information of change".

2)"#01".....refer to "Note" explanation at bottom of page.

### 2.Codes on the "Qty" column

• Each numeral indicates the number of parts required.

• "0.1" and "2.5" indicate the length (in meters) of the respective parts.

3.Parentheses mean that the corresponding part is a subpart that constructs an assembly part.

4.Dotted lines on the Figures indicate assembly parts.

### 1."注記"欄の記号説明

1) "\*"印.....前回のパーツブックに比較して今回変更された部品を意味します。

変更内容は、"変更情報リスト"を参照してください。

2) "#01".....ページ下の"注記"の説明を参照してください。

2.数量欄の数字は、個数を表し、0.1、2.5等の数値は、長さ（単位メートル）を表します。

3.数量欄の（ ）は、組部品を構成している子部品であることを意味します。

4.イラストページの-----枠は、組構成であることを意味します。

# NUMERICAL INDEX OF PARTS

PART NO	PAGE	REF NO.	PART NO	PAGE	REF NO.	PART NO	PAGE	REF NO.
10107902	24	3	21333406	8	56	21346002	38	4
10109700	28	39~43	21333703	8	58	21346309	38	12
10109809	28	39~43	21334008	6	29	21346358	38	11
10109908	28	17	21334701	28	16	21346408	38	13
10110906	28	39~43	21335005	28	1	21346507	38	14
10111003	28	39~43	21336300	26	56	21347000	38	8
10111102	28	14	21336607	26	49	21347109	20	13
10111201	28	44	21336656	26	48	21347208	38	9
10112407	28	18	21336805	24	41	21347406	18	11
10112506	28	45~47	21337209	24	38	21348206	12	14·58·59
10112605	28	45~47	21337308	24	33	21348909	2	47
10112704	28	45~47	21337407	24	26	21351002	42	19
10124204	10	27	21337506	24	23	21351101	42	18
10124303	10	31	21337605	24	35	21351150	42	17
10201200	2	37	21337704	24	24	21351200	42	20
10205201	24	20	21337803	24	27	21351457	42	1
10321107	10	14·58·59	21337902	24	31	21353008	6	23
10502300	36	21	21338306	24	29	21355706	36	24
10509701	20	22	21338603	16	54	21355755	36	23
10539906	42	16	21338900	18	3	21355904	2	6
10618304	36	8	21339007	18	9	21356001	36	6
10697506	12	54	21339056	18	8	21356308	32	11
10697605	10	20	21339304	18	6	21356407	32	12
10704807	36	19	21340401	20	1	21356506	32	3
10741106	10	28	21340500	20	2	21356605	32	6
10742005	46	13	21340906	22	52	21356704	32	9
10748101	42	11	21341151	20	46	21356803	32	7
10755205	42	3	21341300	20	28	21357959	36	3
10755254	42	2	21342506	34	4	21357967	36	1
11045101	10	29	21342555	34	3	21358205	36	9
11072402	10	30	21342605	34	5	21361407	2	46
11956802	10	36	21342704	34	9	21361704	28	27
13138201	10	32	21342803	34	13	21362009	28	2
14512503	36	17	21342902	34	17	21364104	24	10
17912106	2	24	21343009	34	11	21364203	24	2
21331202	2	9	21343108	34	31	21364252	24	1
21331400	2	4	21343157	34	30	21367651	48	21
21331756	2	8	21343207	34	1	21367750	48	22
21331806	2	10	21343355	34	21	21367859	44	14
21332002	2	11	21343405	34	19	21367859	48	23
21332200	2	42	21343702	34	6	21367958	48	24
21332309	2	14	21343801	34	7	21368055	48	25
21332705	6	1	21345806	38	2	21373550	48	31
21333000	6	2	21345855	38	1	21373659	48	32
21333109	6	18	21345905	38	3	21373758	48	33

NUMERICAL INDEX OF PARTS

PART NO	PAGE	REF NO.	PART NO	PAGE	REF NO.	PART NO	PAGE	REF NO.
21373857	48	34	22609309	24	15	23208556	2	28
21373956	48	35	22609408	24	12	23208606	2	30
21375258	2	1	22609804	28	32	23636202	36	5
21375308	2	16	22617609	10	44	26225201	20	29
21375456	10	18	22617708	10	38	26910158	40	1
21375704	6	12	22617807	10	37	40009103	26	50
21375803	16	49	22617906	10	33	40016148	8	55
21375852	16	48	22618102	10	23	40018339	20	16
21375902	18	1	22618706	10	19	40018340	22	53
21376009	16	60	22618805	10	45	40019926	24	36
21376157	20	25	22618904	10	41	40025299	42	5
21376207	16	56	22619100	2	38	40025300	42	8
21376306	20	19	22650055	44	7	40027746	18	7
21376405	14	38	22680607	6	10	40033026	20	12
21376504	16	62	22687453	10	12	40033027	20	11
21377007	10	10	22689053	10	26	40033030	20	24
21377155	10	1	22689103	12	52	40033031	20	41
21377304	44	5	22814909	18	13	40033032	20	40
21377304	50	56	22863203	34	26	40034204	22	49
21378302	20	5	22863252	34	23	40038692	8	60
21378302	24	13	22877609	4	48	40038700	8	49
21378500	28	15	22901805	2	41	40038702	8	50
21378708	36	29	22904106	20	7	40038722	32	27
21378906	26	54	22904106	24	18	40038723	32	29
21379003	42	6	22904155	20	6	40038904	32	16
21387402	6	25	22904155	24	17	40039326	20	4
21387501	6	31	22911804	24	44	40042611	30	34·48
21387600	6	34	22912000	24	46	40103003	32	15
21387709	6	33	22912109	24	47	40105811	32	25
21387808	6	38	22926000	46	16	40107618	32	30
21387907	6	20	22926356	46	11	40108674	2	18
21388004	26	62	22932404	34	28	40108675	2	20
21388400	14	16	22932453	34	27	40113092	36	28
21402300	6	27	22933006	46	2	40113224	6	36
21406103	22	48	22933303	46	12	40143083	6	26
21408505	2	23	22934202	34	35	40162860	28	37
21408554	2	22	22934301	34	36	40197296	6	21
21413158	46	1	22934400	34	34	40197297	6	16
21413257	46	17	22934509	34	33	B1104051000	2	39
21437900	20	36	22934707	34	29	B1109521D00	48	1
22537658	36	2	22945505	36	27	B1109521F00	48	2
22538151	36	4	22945703	36	30	B1109521H00	44	1
22538706	36	32	23006406	12	14·58·59	B1109521H00	48	3
22602601	2	45	23010606	22	50	B1109521K00	48	4
22604300	8	62	23208507	2	29	B1109521L00	48	5



# NUMERICAL INDEX OF PARTS

PART NO	PAGE	REF NO.	PART NO	PAGE	REF NO.	PART NO	PAGE	REF NO.
B1111563000	2	35	B1415526000	14	25	B1502246000	20	44
B1112512E00	44	4	B1416528000	14	26	B1510141H00	20	43
B1112512E00	50	54	B1417526000	14	39	B1510155000	20	31
B1112512J00	50	55	B1419526000	14	40	B1510526000A	16	50
B1132521000	2	25	B1420526000	14	30	B152989000CA	36	7
B1148555000	36	11	B14205260A0	14	29	B1604012000A	24	7
B1214019000	6	32	B1422526000	14	32	B1610512000	24	39
B1308055000	6	35	B1423526000	14	41	B1613521D00	48	6
B1310055000	6	37	B1425526000	14	27	B1613521D0A	48	11
B1312563000A	6	44	B1425526000	44	15	B1613521D0B	48	16
B1313055000	6	47	B1427526000	14	13	B1613521F00	48	7
B1314055000	6	39	B1431526000	14	8	B1613521F0A	48	12
B1401526000	14	18	B1431528000	14	14	B1613521F0B	48	17
B14015260A0	14	17	B1432528000	14	15	B1613521H00	44	6
B1402526D00	48	47	B1434528000	14	2	B1613521H00	48	8
B1402526DALA	48	37	B14345280A0	14	1	B1613521H0A	48	13
B1402526DARA	48	42	B1435526000	14	6	B1613521H0B	48	18
B1402526F00	50	48	B1436526000	14	7	B1613521K00	48	9
B1402526FALA	48	38	B1437526000	14	5	B1613521K0A	48	14
B1402526FARA	48	43	B143752600A	14	4	B1613521K0B	48	19
B1402526H00	50	49	B1438526000	14	3	B1613521L00	48	10
B1402526HALA	44	8	B1439528000	14	11	B1613521L0A	48	15
B1402526HALA	48	39	B1440526000	10	2	B1613521L0B	48	20
B1402526HARA	44	10	B1441526000	10	4	B1639051000	6	46
B1402526HARA	48	44	B1442526000	10	6	B18025120A0A	28	28
B1402526K00	50	50	B144352600A	10	7	B18035150A0	28	30
B1402526KALA	48	40	B1449526000	12	51	B1816051000	28	39~43
B1402526KARA	48	45	B1450526000	14	42	B1817051000	28	34·48
B1402526L00	50	51	B1451526000	14	37	B1820563000	28	3
B1402526LALA	48	41	B1452526000	16	53	B1821051000	28	4
B1402526LARA	48	46	B145352600A	16	51	B1822563000	28	7
B1403526000	50	52	B145352600B	16	64·65	B1823051000	28	8
B1404526000	14	19	B145352600C	16	64·65	B1824563000	28	11
B1405526000	14	20	B1455526000	14	9	B18305210A0	28	25
B1406526000	14	21	B1462053000	20	47	B18375260A0	28	24
B1407526000	14	22	B1465526000	20	23	B1839563000	42	14
B1408526000	6	7	B1468053000	20	26	B1841563000	42	15
B1409526000	14	23	B1470521DA0	48	26	B1843563000	28	22
B1410526000	14	28	B1470521FA0	48	27	B1905526000	6	3
B1410771000	18	5	B1470521HA0	44	12	B1906526000	6	4
B1412051000	14	31	B1470521HA0	48	28	B1907526000	6	5
B1412051000	38	6	B1470521KA0	48	29	B3120125000	10	35
B14125260A0	14	24	B1470521KAX	48	36	B3127051000	10	21
B1414232000	18	4	B1470521LA0	48	30	B3127527000	10	22
B1414555000	20	21	B1501241H00	20	39	B3129053000	10	34

NUMERICAL INDEX OF PARTS

PART NO	PAGE	REF NO.	PART NO	PAGE	REF NO.	PART NO	PAGE	REF NO.
B31375270A0	10	46	HK03464000A	32	19	SK3241601SC	42	13
B3138527000	10	43	HX00295000A	32	23	SK3385001SE	32	26
B3139527000	10	47	HX00295000B	32	24	SK3482500SC	42	4
B3141527000	10	39	M13517B1600	16	55	SK3482501SE	32	34
B3142527000	12	48	M13517B1602	46	10	SM3031401SE	42	9
B3143527000	12	49	MDFRX2700C0	46	6	SM4061001SB	32	33
B3205210000	36	10	NM6030001SC	42	10	SM6040800SP	36	31
B3428521000	34	24	NM6050001SD	34	16	SM6051002TP	32	8
B8112220000	42	7	NM6050001SP	10	8	SM6051602TP	34	8
B8206012000	46	14	NM6050550SD	10	3	SM6052002TP	34	14
B8207012000	46	8	NM6080001SE	32	4	SM6061202TP	34	2
B8209012000	46	15	NS6080210SP	26	53	SM6061802TP	24	40
B8210012000	46	3	NS6110310SP	10	25	SM6062502TP	20	37
B9102057000	46	4	NS6110310SP	36	26	SM6062502TP	34	22
B9113012000	46	5	NS6110420SP	28	23	SM6082002TP	32	2
B9117563000	28	26	NS6110530SP	20	35	SM6082502TP	28	21
B9117563000	46	9	NS6620310SP	10	17	SM8050502TP	24	6
B91210120A0	46	7	NS6680320SP	24	22	SM8050602TP	36	20
BT0600401EB	32	32	PA400150100	32	1	SM8050612TP	26	52
CM300200001	2	40	PF0552170A0	32	28	SM8052502TP	34	15
CM300200001	32	13	PJ304065101	32	10	SM8060602TP	6	28
CM301300001	4	52	PS0400222K0	14	47	SM8080802TP	18	2
CM600100201	46	18	PS0500202KP	38	7	SM8080812TP	6	13
CQ202000000	6	19	PS0600502KP	10	15	SM9061203SE	34	32
CQ202000000	24	51	RC0560711KP	36	12	SS2060410SP	14	33
CQ202000000	26	51	RE0500000K0	6	45	SS2090520SL	2	31
CQ202000000	28	10	RE0500000K0	36	13	SS2090710TP	2	32
CQ202000000	38	17	RE0500711KP	24	8	SS2110920TP	44	2
CQ252000000	14	34	RE0700000K0	14	36	SS3090610SP	38	10
CQ3000000F0	20	15	RE0800000K0	34	10	SS4110515SP	2	36
CQ303000000	6	8	RE0900000K0	26	61	SS4110615SP	12	55
CQ505000000	6	11	RO092270200	24	45	SS4110615SP	38	16
CS1201010SH	26	58	RO092270200	36	14	SS4110815SP	2	49
CS1201011SH	26	59	SB120000200	8	52	SS4110815SP	4	49
D1455055B00	20	33	SD0380551SL	2	26	SS4111215SP	2	2
D1456055B00	20	32	SD0450401SP	14	44	SS5060310SP	50	53
D3162555B00	36	25	SD0470281SP	10	24	SS5090610SP	2	19
D8232241E00	42	21	SD0601171SP	12	53	SS5110740TP	42	25
EA9500B0000	20	14	SD0640322TP	6	42	SS6081810SP	26	57
EA9500B0000	38	15	SD0700451TP	34	20	SS6090520SP	36	16
EA9500B0100	18	12	SD0720331SP	32	5	SS6090540SP	14	45
GAK29009000	32	31	SD0800402TP	24	34	SS6090620SP	36	22
GAK29010000	32	17	SD0800481SP	20	45	SS6090630SP	44	3
GAKA1503000	32	20	SD0900701TP	24	21	SS6090810SP	28	13
HK034610020	32	18	SD1000801SH	26	55	SS6090910TP	20	27

## NUMERICAL INDEX OF PARTS

PART NO	PAGE	REF NO.	PART NO	PAGE	REF NO.
SS6091022TP	16	58	SS8110750SP	16	61
SS6110430TP	10	13	SS8111010TP	6	43
SS6110610TP	20	20	SS8111010TP	14	35
SS6110710TP	44	13	SS8111010TP	20	38
SS6110810TP	36	18	SS8150510TP	16	63
SS6111610SP	24	37	SS8150710SP	20	9
SS6120930TP	24	42	SS8150710TP	8	59
SS6121610TP	24	16	SS8150822TP	6	30
SS6121860SP	24	43	SS8150822TP	24	28
SS6151040SP	32	14	SS8151150TP	24	14
SS6151210SP	2	34	SS8151150TP	28	31
SS6151440SP	42	23	SS8151550SP	8	57
SS6151920SP	20	30	SS8660530TP	28	36
SS6152440SP	18	10	SS8660610TP	20	8
SS6153040SP	28	19	SS8660610TP	24	60
SS6153040SP	42	22	SS8660610TP	26	60
SS6580752TP	26	63	SS8660612TP	6	40
SS6621210SP	2	43	SS8660612TP	20	3
SS6621210SP	10	16	SS8660670SP	28	35
SS6661110SP	8	61	SS8660810TP	6	22
SS7090510SP	10	42	SS8660810TP	28	38
SS7090510SP	34	25	SS8661030SP	8	51
SS7090610SP	24	30	SS8680540SP	6	14
SS7090620TP	14	12	SS8680730SP	6	15
SS7090910TP	24	32	SS9111010SP	10	9
SS7091410SP	36	15	SS9151440CP	24	4
SS7110710SP	6	24	TA0750704R0	4	51
SS7110710SP	12	57	TA0750704R0	8	54
SS7110830SP	14	46	TA0750704R0	20	10
SS7110840SP	42	24	TA1050504R0	2	33
SS7110910SP	16	57	TA1250406R0	2	3
SS7110910SP	22	51	TA1250504R0	2	50
SS7110910TP	20	42	TA1250504R0	4	50
SS7110910TP	24	25	WP0320501SC	42	12
SS7111410SP	24	11	WP0371016SD	28	12
SS7111810TP	28	9	WP0450801SP	12	50
SS7112420SP	16	59	WP0480856SP	14	43
SS7120760SP	8	53	WP0482086SD	20	34
SS7150910TP	2	17	WP0501016SP	12	56
SS7621040SP	2	7	WP0501046SC	20	18
SS8080310SP	16	52	WP0621016SD	24	5
SS8080660TP	44	11	WP0850002SP	28	20
SS8090410TP	14	10			
SS8110422TP	30	49			
SS8110520TP	10	11			