

MODEL : AE-8
List No : 1271-01

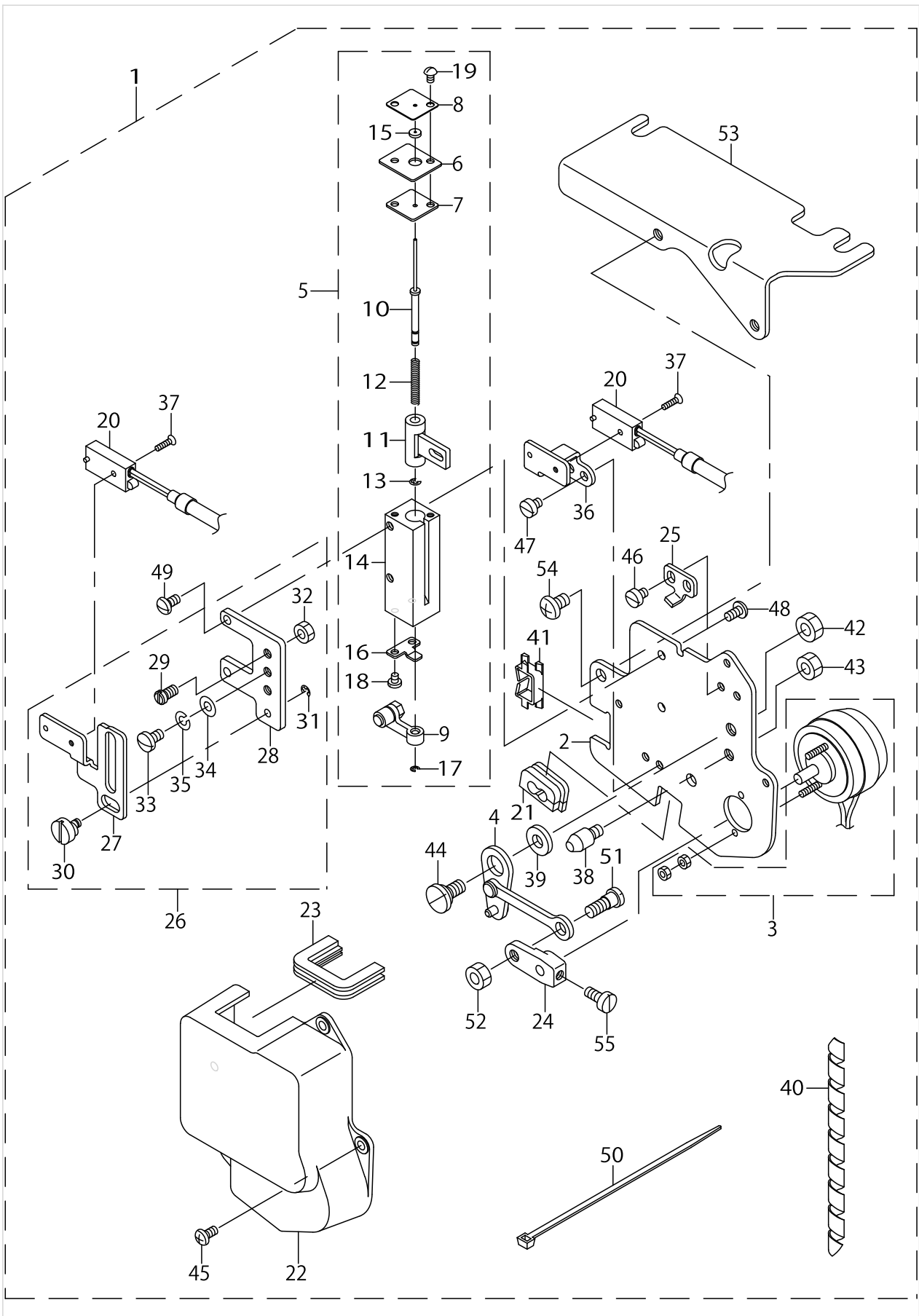
PARTS LIST

Published:09/10/2017

CONTENTS

COMPONENTS	1
ACCESSORIES	5
HOW TO MAKE USE OF THIS PARTS LIST	7

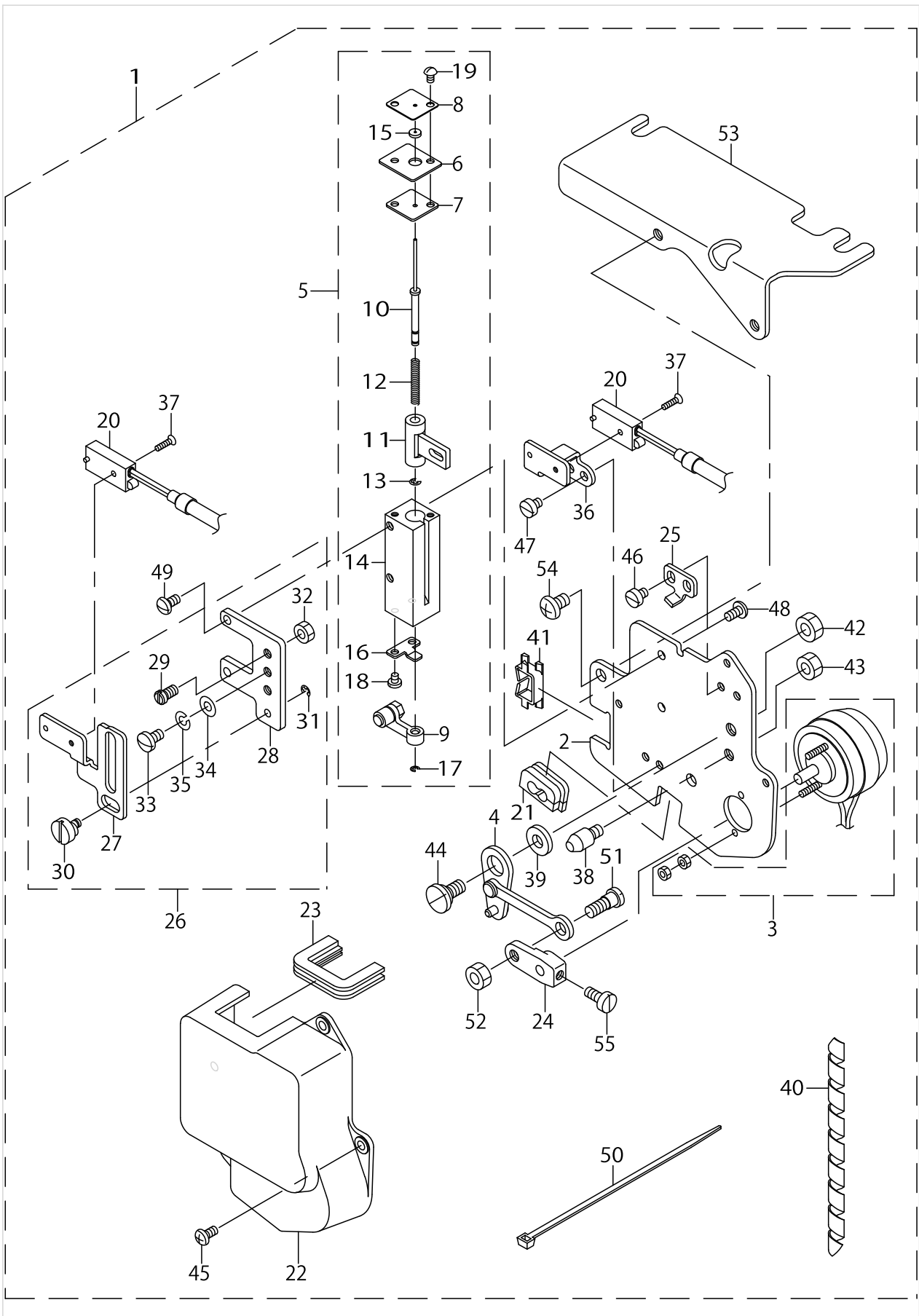
COMPONENTS



COMPONENTS

No.	Parts No.	Parts name	Remarks	Level	Cons	Qty
1	GAE080100A0	DRIVING DEVICE ASM.				1
2	GAE08010000	BASE PLATE		*		1
3	GAE040110A0	DRIVING SOLENOID ASM.		*		1
4	GAE080140A0	DRIVING LINK ASM.		*		1
5	GAE080260A0	DETECTING ROD GUIDE ASM.		*		1
6	GAE08019000	DETECTING ROD FELT GUIDE		*		1
7	GAE08027000	DETECTING ROD GUIDE PLATE		*		1
8	GAE08029000	DETECTING ROD COVER		*		1
9	GAE080230A0	MAGNET BRACKET ASM.		*		1
10	GAE03020000	DETECTING ROD		*		1
11	GAE03021000	DETECTING ROD HOLDER		*		1
12	GAE03022000	DETECTING ROD SPRING		*		1
13	GAE03025000	E RING		*		1
14	GAE03026000	DETECTING ROD GUIDE		*		1
15	GAE03028000	DETECTING ROD FELT		*		1
16	GAE03036000	DETECTING ROD STOPPER		*		1
17	RE0150000K0	SNAP RING 1.5		*		1
18	SS7060310SP	SCREW 3/32-56 L=3		*		2
19	SS3060410SP	SCREW 3/32-56 L=4		*		2
20	GAE040330B0	SENSOR COMPL.		*		2
21	GAE04037000	SENSOR CORD BUSH		*		1
22	GAE08038000	DRIVING DEVICE COVER		*		1
23	GAE08039000	DETECTING ROD RUBBER		*		1
24	GAE08012000	SOLENOID ARM		*		1
25	GAE08018000	DRIVING LINK STOPPER A		*		1
26	GAE080300A0	SENSOR ADJUSTING PLATE ASM.		*		1
27	GAE08034000	SENSOR INSTALLING BASE A		*		1
28	GAE03030000	SENSOR ADJUSTING PLATE		*		1
29	GAE03031000	SLIDE PIN		*		2
30	GAE03032000	ECCENTRIC PIN		*		1
31	RE0200000K0	E-RING		*		1
32	NS6090310SP	NUT 9/64-40		*		2
33	SS7090610SP	SCREW 9/64-40 L=6		*		1
34	WP0370316SD	WASHER 3.7X8X0.3		*		1
35	WS0410002KP	SPRING WASHER		*		1
36	GAE08035000	SENSOR INSTALLING BASE B		*		1
37	10621803	MOUNTING SCREW		*		2
38	B1157781000	GUIDE PIN		*		1
39	B144418000B	WASHER		*		1
40	HX001890000	SPIRAL TUBE		*		0.1
41	HX00285000A	CORD HOLDER		*		1
42	NS6120310SP	NUT 3/16-28		*		1
43	NS6110420SP	NUT 11/64-40		*		1
44	SD0790203SP	HINGE SCREW D=7.94 H=2		*		1
45	SL4030681SC	SCREW M3 L=6		*		3
46	SS6080410SP	SCREW 1/8-44 L=4		*		2
47	SS6080410SP	SCREW 1/8-44 L=4		*		2

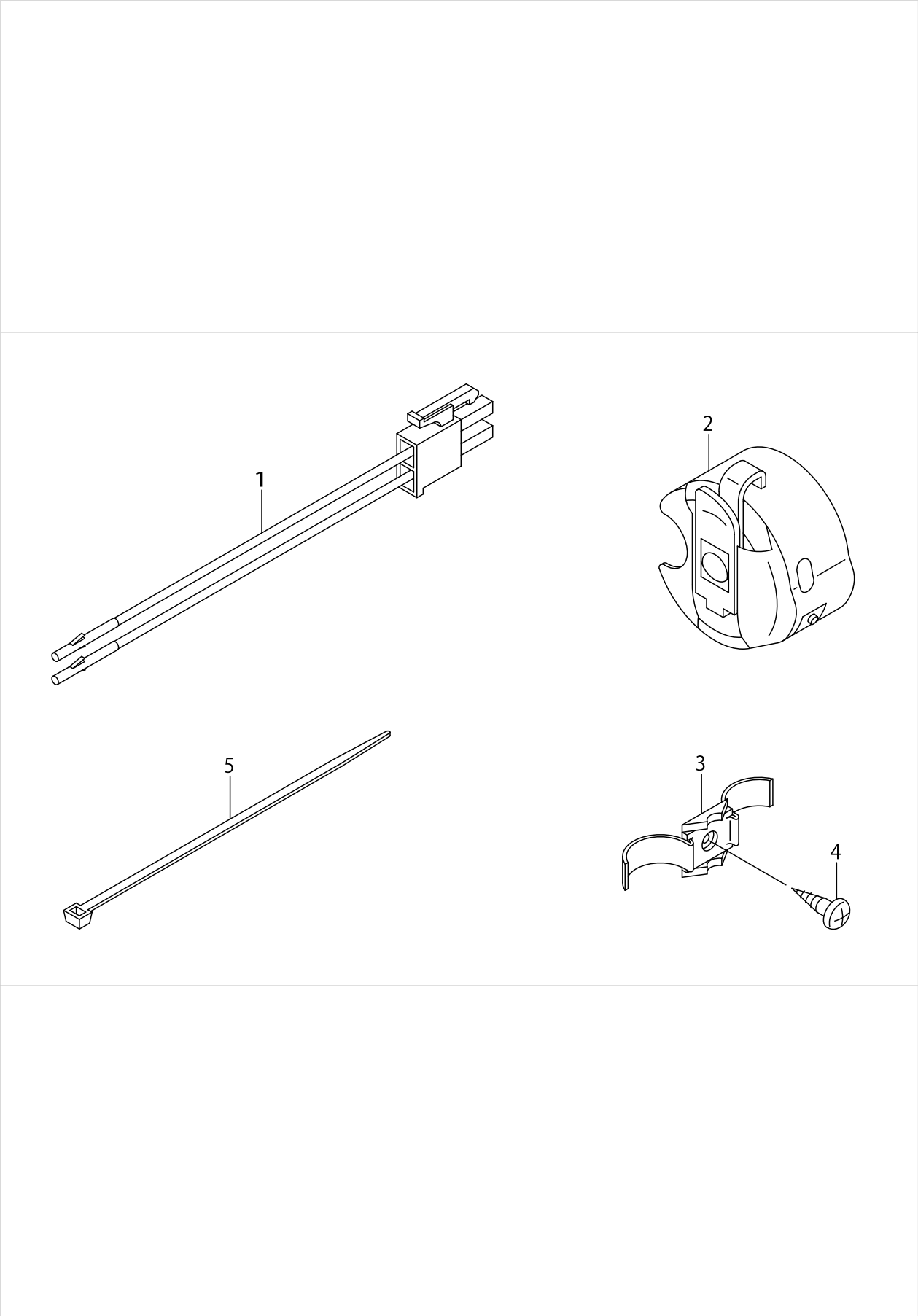
COMPONENTS



COMPONENTS

No.	Parts No.	Parts name	Remarks	Level	Cons	Qty
48	SS4080610SP	SCREW 1/8-44 L=6.4		*		2
49	SS4080610SP	SCREW 1/8-44 L=6.4		*		2
50	EA9500B0100	CABLE BAND		*		1
51	SD0500402SP	HINGE SCREW D= 5 H= 4		*		1
52	NS6110420SP	NUT 11/64-40		*		1
53	GAE08040000	DEVICE INSTALLING PLATE		*		1
54	SS4110715SP	SCREW 11/64-40 L=7		*		2
55	SS6090810SP	SCREW 9/64-40 L= 7.5		*		1

ACCESSORIES



ACCESSORIES

No.	Parts No.	Parts name	Remarks	Level	Cons	Qty
1	GAE040430A0	SOLENOID CORD ASM.				1
2	GAE030450A0	BOBBIN CASE				1
3	HX002450000	CABLE CLAMP				1
4	SK3381601SC	WOOD SCREW D=3.8 L=16				1
5	EA9500B0100	CABLE BAND				1

HOW TO MAKE USE OF THIS PARTS LIST

1.As to "#01" and "#02" refer to the "Note" given at the bottom of the respective pages.

2.Codes on the "Qty" column

- Each numeral indicates the number of parts required.
- "0.1" and "2.5" indicate the length (in meters) of the respective parts.

3.Parentheses mean that the corresponding part is a subpart that constructs an assembly part.

4.Dotted lines on the Figures indicate assembly parts.

1. リストページの# 0 1、# 0 2の印は、ページ下の"注記"の説明を参照下さい。
2. 数量欄の数字は、個数を表し、0. 1、2. 5等の数値は、長さ（単位メートル）を表します。
3. 数量欄の（ ）は、組部品を構成している子部品であることを意味します。
4. イラストページの-----枠は、組構成であることを意味します。

NUMERICAL INDEX OF PARTS

PART NO	PAGE	REF NO.	PART NO	PAGE	REF NO.
10621803	2	37	SD0500402SP	4	51
B1157781000	2	38	SD0790203SP	2	44
B144418000B	2	39	SK3381601SC	6	4
EA9500B0100	4	50	SL4030681SC	2	45
EA9500B0100	6	5	SS3060410SP	2	19
GAE03020000	2	10	SS4080610SP	4	49
GAE03021000	2	11	SS4110715SP	4	54
GAE03022000	2	12	SS6080410SP	2	47
GAE03025000	2	13	SS6090810SP	4	55
GAE03026000	2	14	SS7060310SP	2	18
GAE03028000	2	15	SS7090610SP	2	33
GAE03030000	2	28	WP0370316SD	2	34
GAE03031000	2	29	WS0410002KP	2	35
GAE03032000	2	30			
GAE03036000	2	16			
GAE030450A0	6	2			
GAE040110A0	2	3			
GAE040330B0	2	20			
GAE04037000	2	21			
GAE040430A0	6	1			
GAE08010000	2	2			
GAE080100A0	2	1			
GAE08012000	2	24			
GAE080140A0	2	4			
GAE08018000	2	25			
GAE08019000	2	6			
GAE080230A0	2	9			
GAE080260A0	2	5			
GAE08027000	2	7			
GAE08029000	2	8			
GAE080300A0	2	26			
GAE08034000	2	27			
GAE08035000	2	36			
GAE08038000	2	22			
GAE08039000	2	23			
GAE08040000	4	53			
HX001890000	2	40			
HX002450000	6	3			
HX00285000A	2	41			
NS6090310SP	2	32			
NS6110420SP	2	52			
NS6110420SP	4	52			
NS6120310SP	2	42			
RE0150000K0	2	17			
RE0200000K0	2	31			