

MODEL : DDL-8300

List No : 1270-00

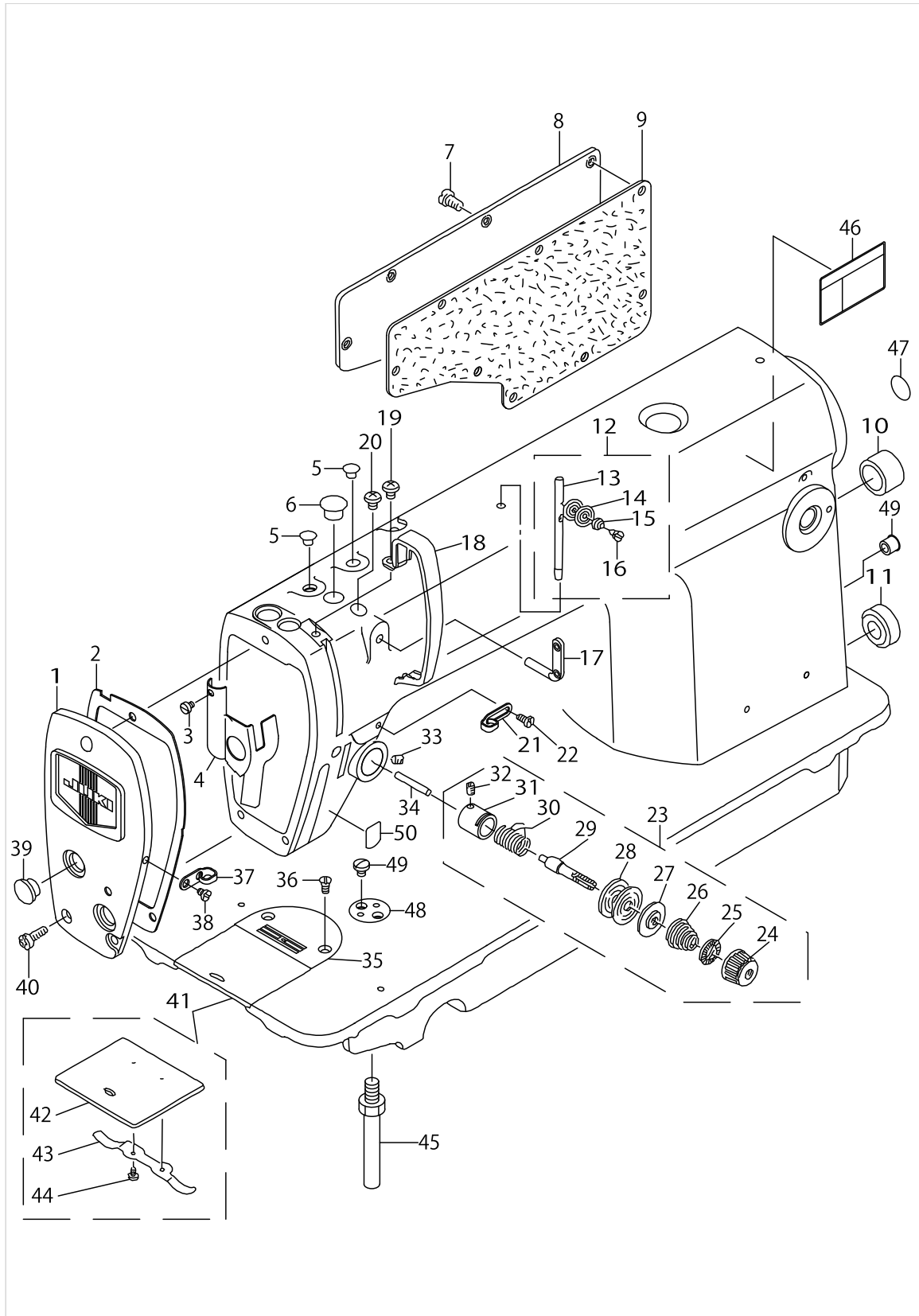
PARTS LIST

Published:09/10/2017

CONTENTS

MACHINE FRAME & MISCELLANEOUS COVER COMPONENTS	1
MAIN SHAFT & THREAD TAKE-UP LEVER COMPONENTS	5
NEEDLE BAR, UPRIGHT SHAFT & HOOK DRIVING SHAFT COMPONENTS	7
HAND LIFTER COMPONENTS	9
FEED MECHANISM COMPONENTS.....	11
OIL LUBRICATION COMPONENTS	15
OIL RESERVOIR COMPONENTS	17
BELT COVER & BOBBIN WINDER COMPONENTS	19
THREAD STAND COMPONENTS.....	21
EXCLUSIVE PARTS FOR DDL-8300H.....	23
HOW TO MAKE USE OF THIS PARTS LIST	25

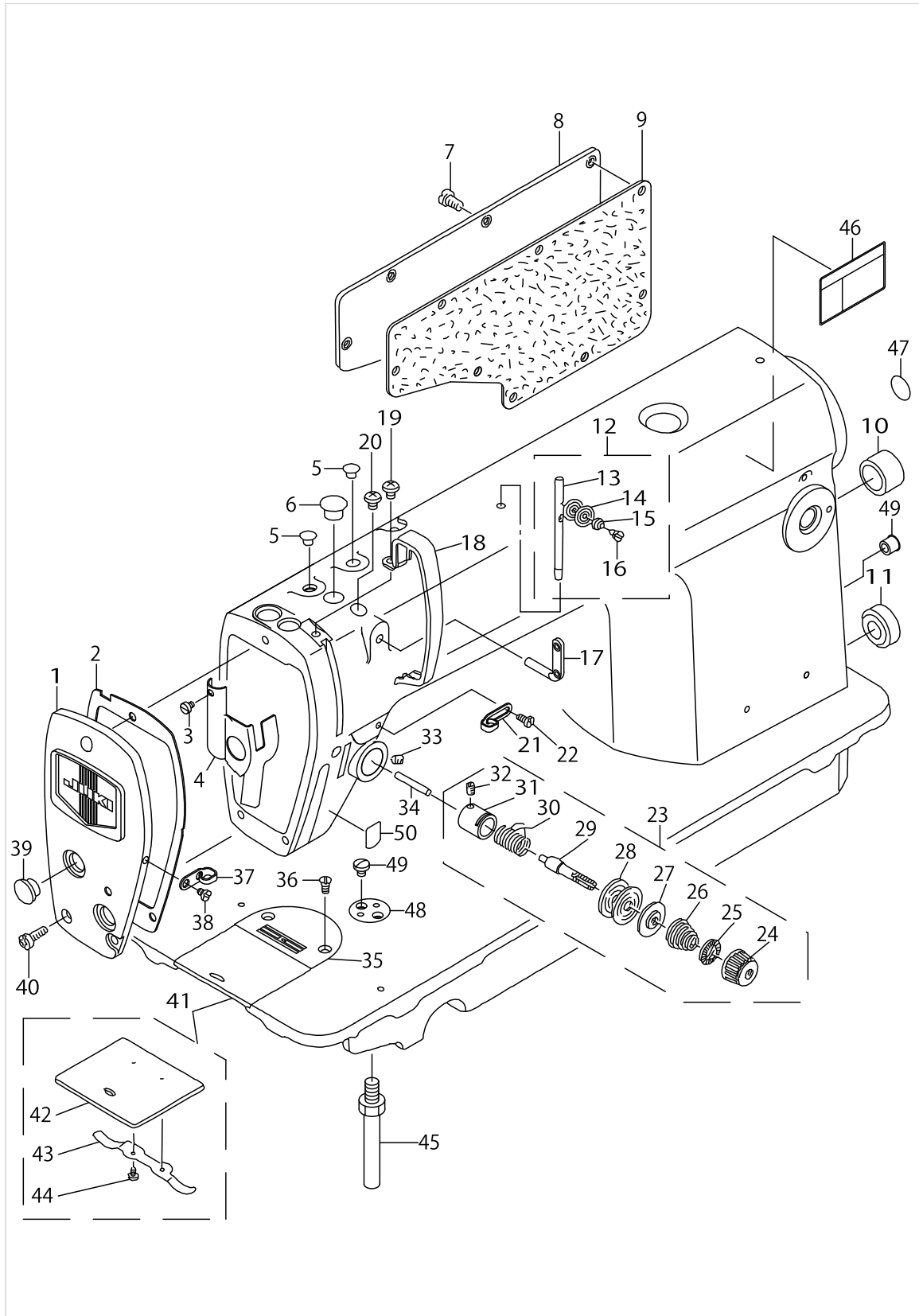
MACHINE FRAME & MISCELLANEOUS COVER COMPONENTS



MACHINE FRAME & MISCELLANEOUS COVER COMPONENTS

No.	Parts No.	Parts name	Remarks	Level	Cons	Qty
1	22902159	FACE PLATE ASM.				1
2	22902209	FACE PLATE GASKET				1
3	SS6080410SP	SCREW 1/8-44 L=4				1
4	22900757	ARM OIL SHIFLD ASM.				1
5	TA0850604R0	RUBBER PLUG				2
6	TA1250705R0	RUBBER PLUG				1
7	SS4120915SP	SCREW 3/16-28 L=9				8
8	22900401	SIDE PLATE				1
9	11000619	GASKET				1
10	TA2000502R0	RUBBER PLUG				1
11	TA2101002R0	RUBBER PLUG				1
12	22932552	THREAD GUIDE ROD ASM.				1
13	22932503	THREAD GUIDE ROD		*		1
14	22932602	TENSION DISK		*		2
15	22932701	TENSION SPRING		*		1
16	SD0380552SL	HINGE SCREW D=3.8 H=5.5		*		1
17	22920706	TWO-HOLE THREAD EYELET				1
18	22900609	THREAD TAKE-UP LEVER COVER				1
19	SS4120615SP	SCREW 3/16-28 L=6				1
20	SS4120615SP	SCREW 3/16-28 L=6				1
21	22920508	ARM THREAD GUIDE A				1
22	11001500	SCREW				1
23	22945356	THREAD TENSION ASM.				1
24	22921308	TENSION NUT		*		1
25	22921407	ROTATING STOPPER		*		1
26	22921704	TENSION SPRING A		*		1
27	22921803	THREAD TENSION DISK PRESSER		*		1
28	22921506	THREAD TENSION DISK		*		2
29	22921209	TENSION POST		*		1
30	22921605	TAKE-UP SPRING		*		1
31	22945307	TENSION POST SOCKET		*		1
32	SS8090670SP	SCREW 9/64-40 L= 5.5		*		1
33	SS8150710SP	SCREW 15/64-28 L=7				1
34	B3118552E00	TENSION RELEASING				1
35	22965909	THROAT PLATE				1
36	SS2110920TP	SCREW 11/64-40 L=8.5				2
37	22920607	ARM THREAD GUIDE B				1
38	SS6110610TP	SCREW 11/64-40 L=6				1
39	TA1250406R0	RUBBER PLUG D=12.5 L=4				2
40	SS4120915SP	SCREW 3/16-28 L=9				3
41	22902753	BED SLIDE ASM.				1
42	22902704	SLIDE PLATE		*		1
43	22901300	BED SLIDE SPRING		*		1
44	SS6060210SP	SCREW 3/32-56 L= 1.9		*		2
45	22901003	BED SCREW STUD				4
46	CM3002001A1	SAFETY LABEL..3 (SMALL).				1
47	22901805	GROUND MARK				1

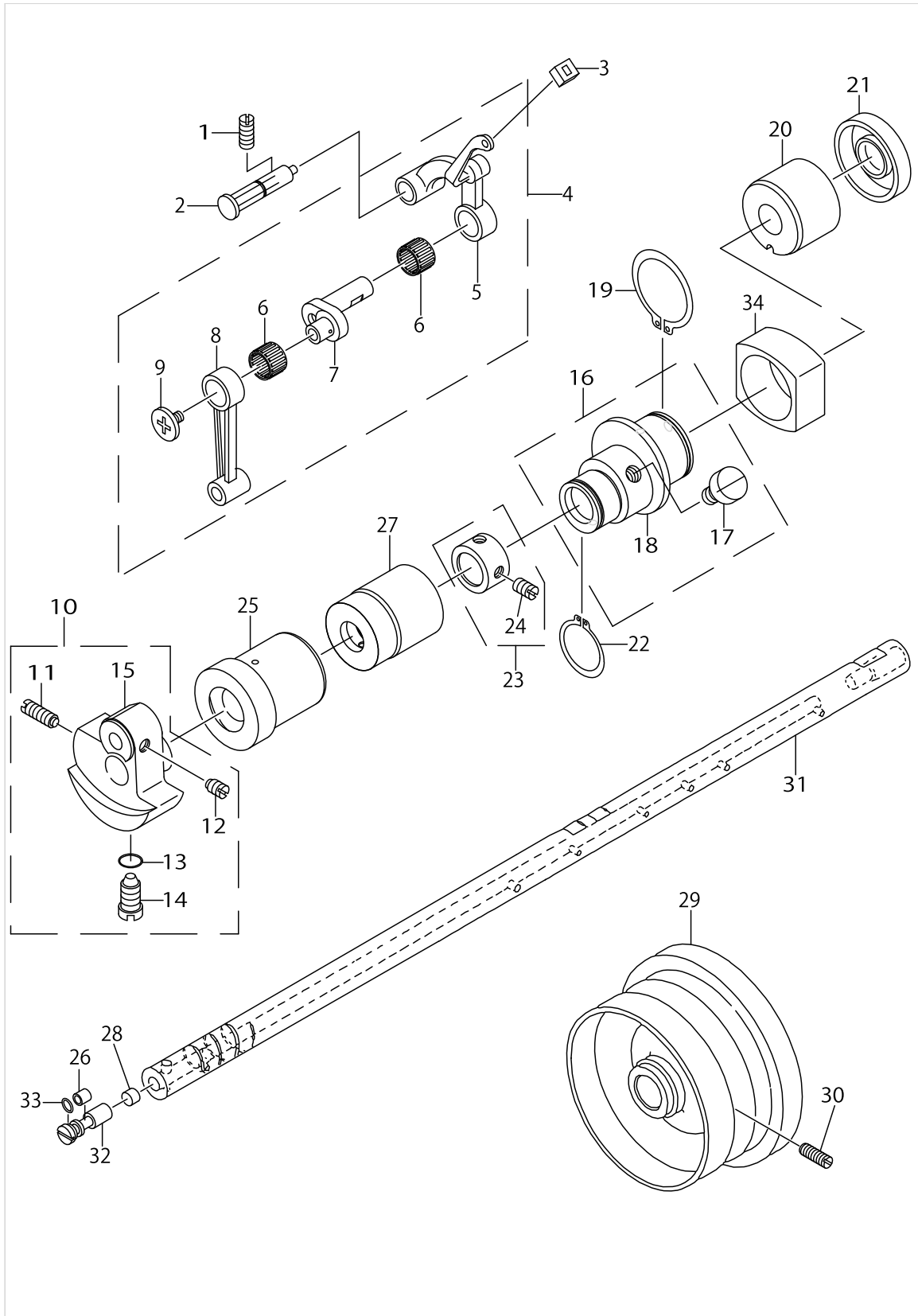
MACHINE FRAME & MISCELLANEOUS COVER COMPONENTS



MACHINE FRAME & MISCELLANEOUS COVER COMPONENTS

No.	Parts No.	Parts name	Remarks	Level	Cons	Qty
48	22902605	SULER STOPPER				1
49	TA0950806R0	RUBBER PLUG				2
50	22967301	NEEDLE SEAL				1

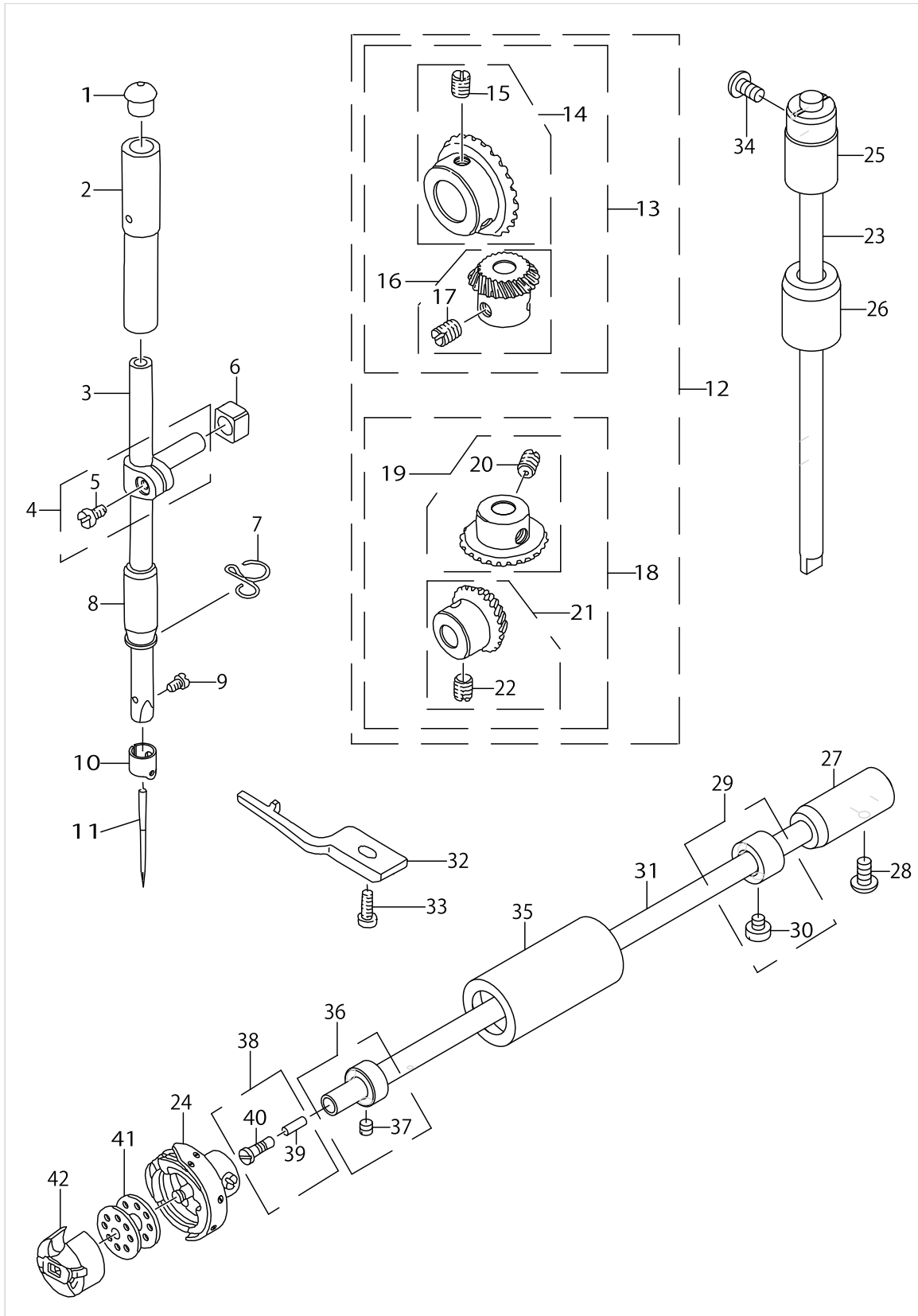
MAIN SHAFT & THREAD TAKE-UP LEVER COMPONENTS



MAIN SHAFT & THREAD TAKE-UP LEVER COMPONENTS

No.	Parts No.	Parts name	Remarks	Level	Cons	Qty
1	SS8151150SP	SCREW 15/64-28 L=10.5				1
2	22919559	THREAD TAKE-UP CRANK SHAFT ASM				1
3	22919203	RUBBER				1
4	22918072	THREAD TAKE-UP LEVER COMPL.				1
5	22918064	THREAD TAKE-UP LEVER ASM.		*		1
6	22918502	NEEDLE BEARING B	SELECTING PART	*		2
7	22918106	NEEDLE BAR CRANK		*		1
8	22906606	NEEDLE BAR CRANK ROD		*		1
9	22918304	LEFT SCREW		*		1
10	22903157	COUNTER WEIGHT ASM.				1
11	SS8681650TP	SCREW 9/32-28 L=16		*		1
12	SS8660610TP	SCREW 1/4-40 L=6		*		2
13	RO044240100	RUBBER RING		*		1
14	SS7681650TP	SCREW 9/32-28 L=16		*		1
15	22903108	COUNTER WEIGHT		*		1
16	22966154	FEED DRIVE ECCENTRIC CAM ASM.				1
17	SS6661110SP	SCREW 1/4-40 L=11		*		2
18	22966105	FEED DRIVE ECCENTRIC CAM		*		1
19	RC2501211KP	SNAP RING 25.0				1
20	22903405	MAIN SHAFT BUSHING, REAR				1
21	22903504	OIL SEAL				1
22	RC1850001KP	SNAP RING 18.5				1
23	22904155	THRUST COLLAR ASM.				1
24	SS8660610TP	SCREW 1/4-40 L=6		*		2
25	22903207	MAIN SHAFT FRONT BUSHING				1
26	22904007	OIL ADJUSTING COLLAR				1
27	22903306	BUSHING,INTERMEDIATE				1
28	22903702	ROLLER FELT				1
29	22927206	HAND WHEEL				1
30	SS8151550SP	SCREW 15/64-28 L=15				2
31	22903009	UPPER SHAFT				1
32	22903900	OIL AMOUNT ADJUSTING PIN				1
33	RO029180100	RUBBER RING				1
34	22966204	PITMAN BLOCK				1

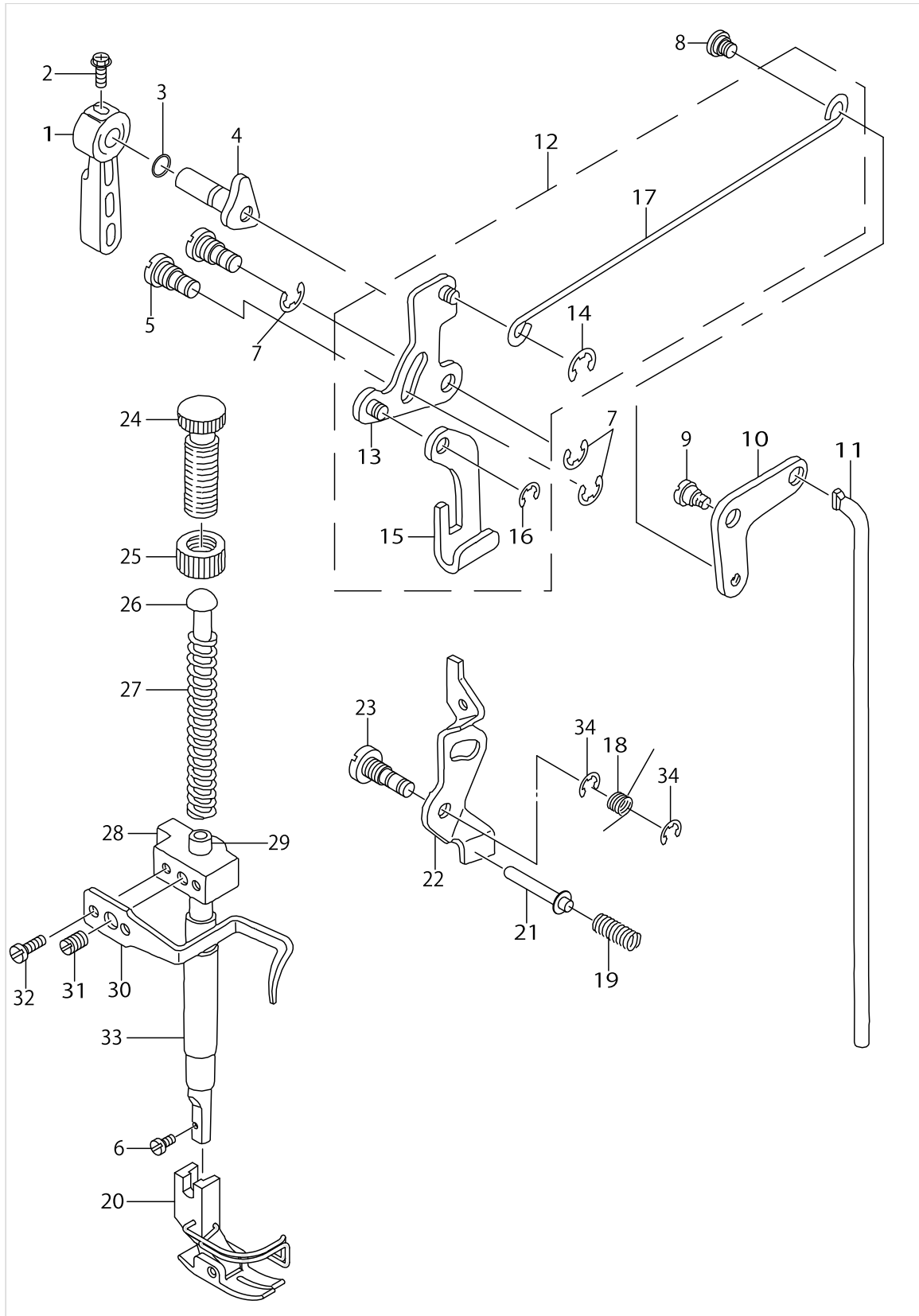
NEEDLE BAR, UPRIGHT SHAFT & HOOK DRIVING SHAFT COMPONENTS



NEEDLE BAR, UPRIGHT SHAFT & HOOK DRIVING SHAFT COMPONENTS

No.	Parts No.	Parts name	Remarks	Level	Cons	Qty
1	22901409	CAP				1
2	22906101	NEEDLE BAR BUSHING ,UPPER				1
3	22906002	NEEDLE BAR				1
4	22906457	NEEDLE ROD HOLDER ASM.				1
5	SS6090670TP	SCREW 9/64-40 L=6		*		1
6	22906507	SLIDE BLOCK				1
7	22920805	NEEDLE BAR THREAD GUIDE				1
8	22906200	NEEDLE BAR BUSHING, LOWER				1
9	SS7080510TP	SCREW 1/8-44 L=4.5				1
10	22906309	NEEDLE BAR THREAD GUIDE				1
11	MDB100B1400	NEEDLE DBX1 #14				1
12	B13061550C0	GEAR & PINION ASM.				1
13	B13061550B0	GEAR & PINION ASM., UPPER		*		1
14	B13050120A0	GEAR ASM.		*		1
15	SS8660810TP	SCREW 1/4-40 L=8		*		2
16	B13061550A0	PINION ASM.		*		1
17	SS8660810TP	SCREW 1/4-40 L=8		*		2
18	B13071550B0	GEAR & PINION ASM., LOWER		*		1
19	B13071550A0	GEAR ASM. LARGE		*		1
20	SS8660810TP	SCREW 1/4-40 L=8		*		2
21	B13081550A0	PINION ASM.		*		1
22	SS8660810TP	SCREW 1/4-40 L=8		*		2
23	22905004	UPRIGHT SHAFT				1
24	B18301270A0	HOOK ASM.				1
25	22905103	UPRIGHT SHAFT BUSHING ,LOWER				1
26	22905202	UPRIGHT SHAFT BUSHING, LOWER				1
27	22916308	BUSHING ,REAR				1
28	SS4120915SP	SCREW 3/16-28 L=9				1
29	22917157	THRUST COLLAR ASM.				1
30	SS6110420TP	SCREW 11/64-40 L=4.8		*		2
31	22916001	LOWER SHAFT				1
32	22916407	BOBBIN CASE HOLDER				1
33	SS4110915SP	SCREW 11/64-40 L=9				1
34	SS4120915SP	SCREW 3/16-28 L=9				1
35	22916100	LOWER SHAFT FRONT METAL				1
36	22917058	THRUST COLLAR ASM.				1
37	SS8110410TP	SCREW 11/64-40 L= 3.5		*		2
38	22916555	OIL SEAL SCREW ASM.				1
39	22916605	OIL WICK		*		1
40	22916506	OIL SEAL SCREW		*		1
41	22932909	BOBBIN				1
42	B18370120A0	BOBBIN CASE ASM.				1

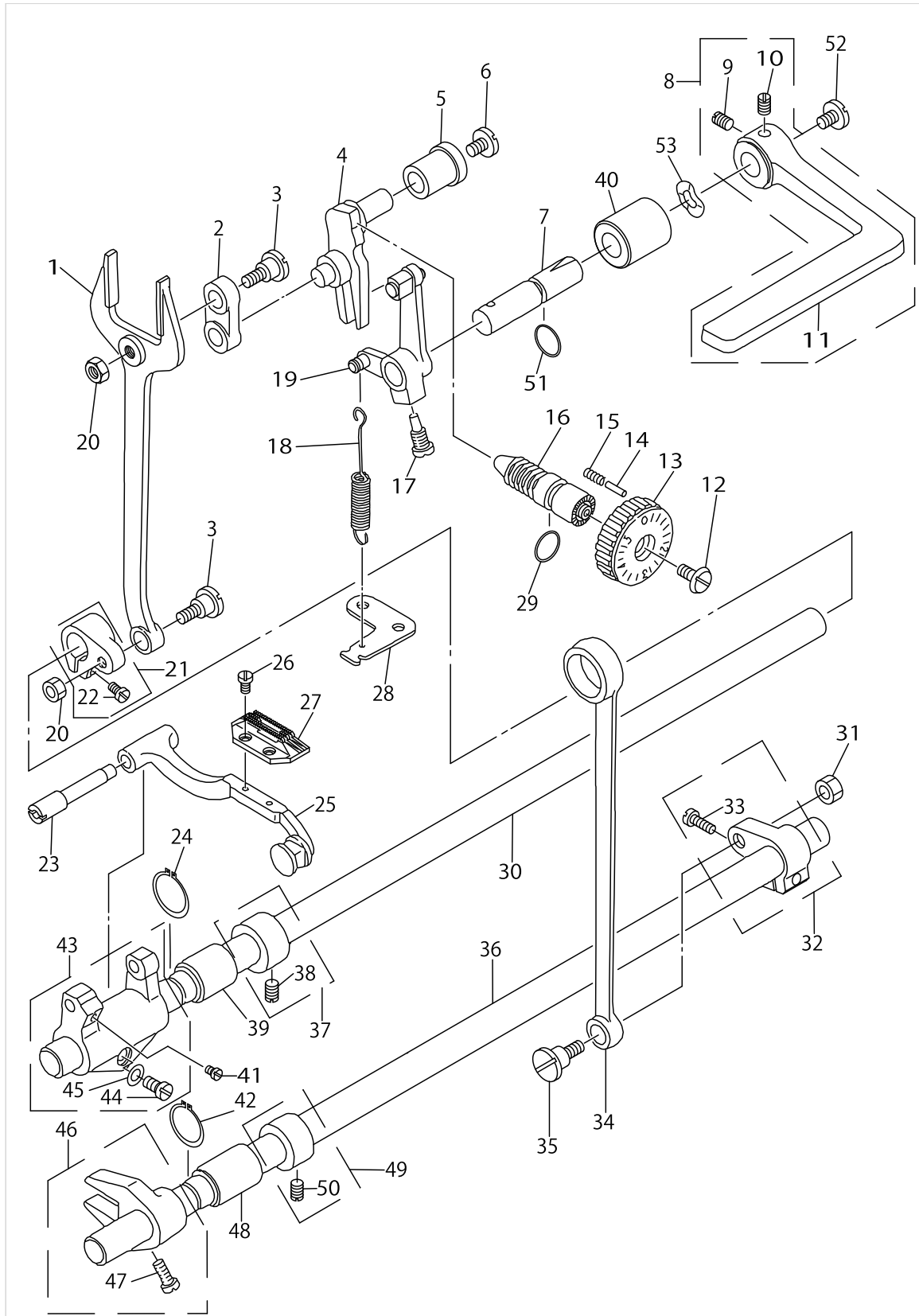
HAND LIFTER COMPONENTS



HAND LIFTER COMPONENTS

No.	Parts No.	Parts name	Remarks	Level	Cons	Qty
1	22907802	HAND LIFTER				1
2	B1521555000	SCREW				1
3	RO037180100	RUBBER RING				1
4	22908552	HAND LIFTER CAM ASM.				1
5	11006509	LINK SHAFT				1
6	SS7091110SP	SCREW 9/64-40 L=10.5				1
7	RE0500000K0	E-RING				3
8	22908909	HINGE SCREW				1
9	SD0720331SP	HINGE SCREW D= 7.24 H= 3.3				1
10	22908800	LIFTING LEVER LINK				1
11	22909006	CONNECTING ROD VERTICAL				1
12	22908354	LIFTING LEVER CONNECTING ROD				1
13	22908156	HAND LIFTER LINK		*		1
14	RE0500000K0	E-RING		*		1
15	22908008	LIFTING LEVER		*		1
16	RE0500000K0	E-RING		*		1
17	22908305	LIFTING LEVER CONNECTING ROD		*		1
18	22920201	TENSION RELEASE RETURN SPRING				1
19	22920409	TENSION RELEASE PIN SPRING				1
20	B15240120BA	PRESSER FOOT ASM.				1
21	22920300	TENSION RELEASE SUPPORTING PIN				1
22	22920003	TENSION RELEASE PLATE				1
23	11018108	TENSION RELEASE SHAFT				1
24	22907505	PRESSER ADJUSTING SCREW				1
25	22907604	PRESSER ADJUSTING SCREW NUT				1
26	22907703	PRESSER GUIDE BAR				1
27	22907406	PRESSER ADJUSTING SPRING				1
28	22907208	PRESSER BAR GUIDE BRACKET				1
29	22907000	PRESSER BAR				1
30	22907307	PRESSER BAR THREAD GUIDE				1
31	SS8660810TP	SCREW 1/4-40 L=8				1
32	SS6090910SP	SCREW 9/64-40 L=9				2
33	22907109	PRESSER BAR BUSHING, LOWER				1
34	RE0500000K0	E-RING				2

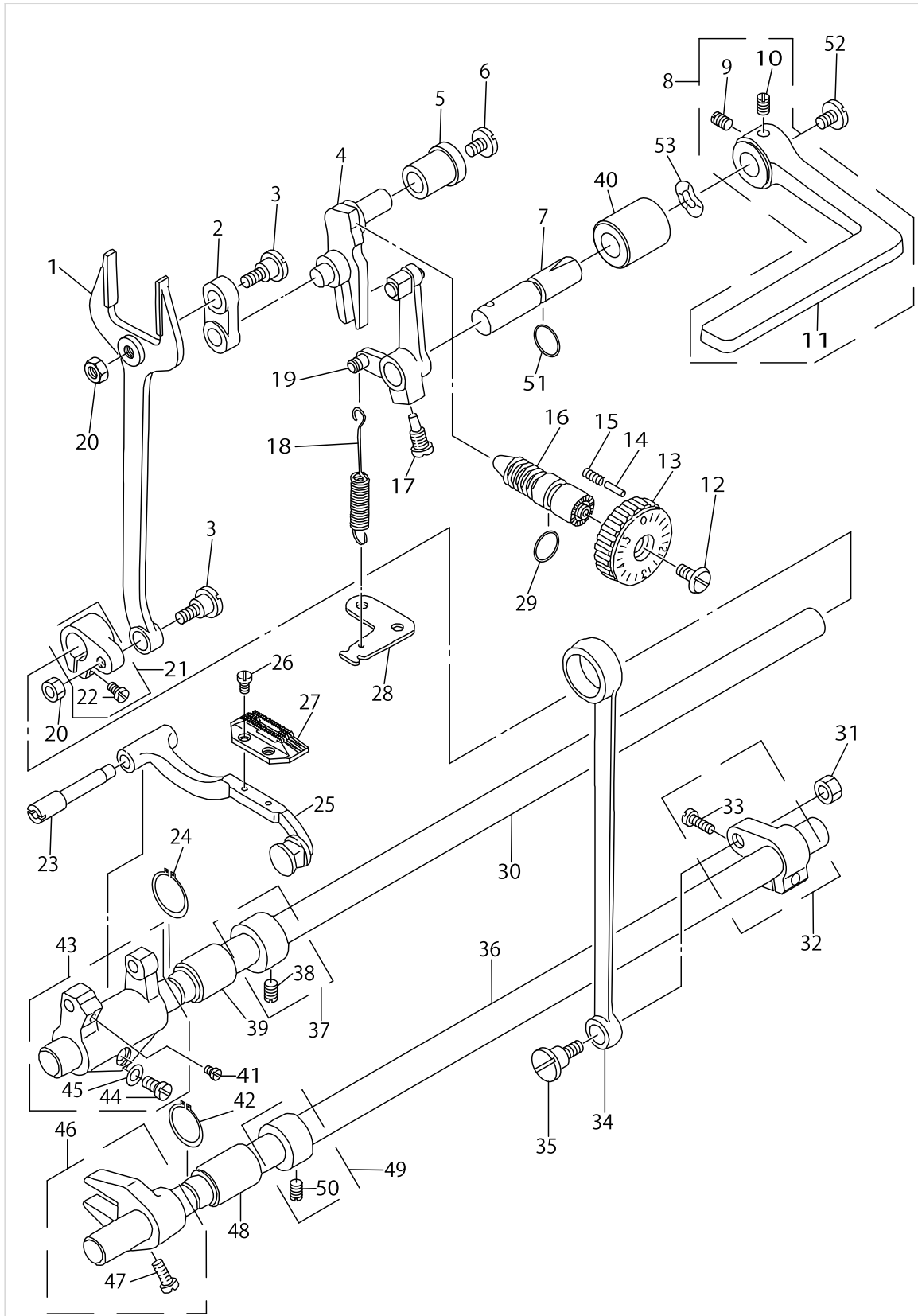
FEED MECHANISM COMPONENTS



FEED MECHANISM COMPONENTS

No.	Parts No.	Parts name	Remarks	Level	Cons	Qty
1	22966303	PITMAN				1
2	22966402	PITMAN LINK				1
3	SD1000801SH	HINGE SCREW D=10 H=8				2
4	22966600	FEED REGULATOR				1
5	22911705	FEED REGULATOR BUSHING				1
6	SS7120770SH	SCREW 3/16-28 L=7				1
7	22967202	FEED REVERSE SHAFT				1
8	22912752	FEED LEVER ASM.				1
9	SM8061050TP	SCREW M=6 L=10		*		1
10	SM8061010TP	SCREW M=6 L=10		*		1
11	22912703	FEED LEVER		*		1
12	SS6121860SP	SCREW 3/16-28 L=18				1
13	22911903	FEED DIAL				1
14	22912000	FEED REGULATOR PIN				1
15	22912109	FEED REGULATOR PIN SPRING				1
16	22911804	FEED REGULATOR SCREW				1
17	22912505	FEED REVERSE ARM SCREW				1
18	22967103	LEVER RETURN SPRING				1
19	22966758	LEVER CRANK ASM.				1
20	NS6680410SP	NUT 9/32-28				2
21	22966550	FEED ROCK SHAFT CRANK				1
22	SS7121610SP	SCREW 3/16-28 L=15.5		*		1
23	22913206	FEED BAR SHAF				1
24	RC0150001KP	RETAINING RING 13.8				1
25	22913354	FEED BASE ASM.				1
26	SS4080620TP	SCREW 1/8-44 L=6				2
27	B1613012A00	FEED DOG A				1
28	22913701	FEED SPRING HOOK				1
29	RO092270200	RUBBER RING				1
30	22912901	FEED ROCKER SHAFT				1
31	NS6680410SP	NUT 9/32-28				1
32	22915151	FEED ARM COMPL.				1
33	SS7121610SP	SCREW 3/16-28 L=15.5		*		1
34	22915003	CONNECTING ROD				1
35	SD1000801SH	HINGE SCREW D=10 H=8				1
36	22915201	FEED DRIVING SHAFT				1
37	22904155	MAIN SHAFT THRUST COLLAR ASM.				1
38	SS8660610TP	SCREW 1/4-40 L=6		*		2
39	22913008	FEED ROCKER SHAFT BUSHING				1
40	22912802	FEED LEVER SHAFT BUSHING				1
41	SS7110740TP	SCREW 11/64-40 L=7				1
42	RC0150001KP	RETAINING RING 13.8				1
43	22913156	FEED ROCKER ASM.				1
44	SS7121410TP	SCREW 3/16-28 L=14		*		1
45	WP0480856SP	WASHER 4.8X8.4X0.8		*		1
46	22915359	DRIVING SHAFT CRANK ASM.				1
47	SS7111120SP	SCREW 11/64-40 L=10.5		*		1

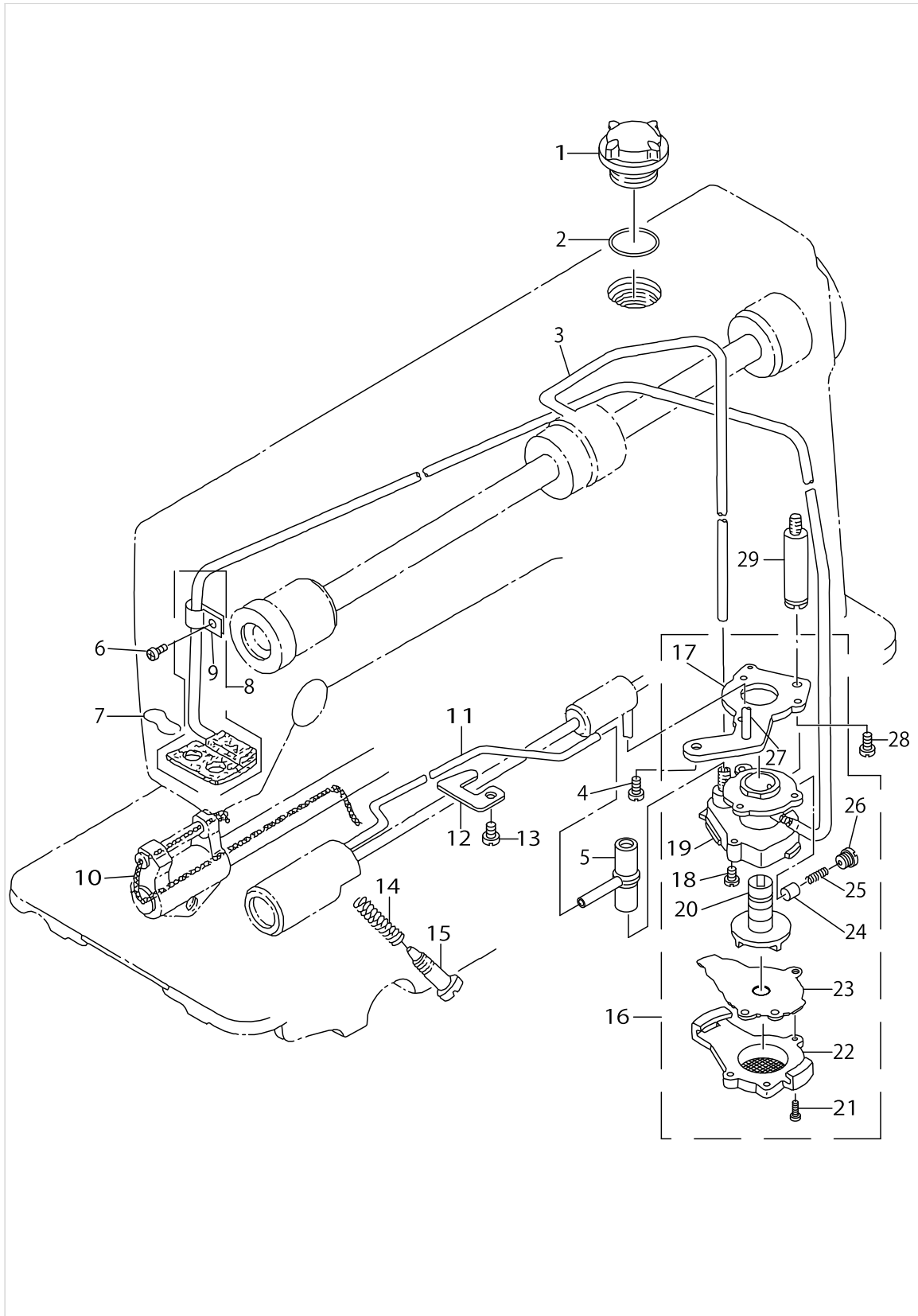
FEED MECHANISM COMPONENTS



FEED MECHANISM COMPONENTS

No.	Parts No.	Parts name	Remarks	Level	Cons	Qty
48	22913008	FEED ROCKER SHAFT BUSHING				1
49	22904155	MAIN SHAFT THRUST COLLAR ASM.				1
50	SS8660610TP	SCREW 1/4-40 L=6		*		2
51	RO078190100	RUBBER RING				1
52	SS7620750SP	SCREW 3/16-32 L= 6.5				1
53	WZ1250300K0	WAVED WASHER 12.5X17X0.3				1

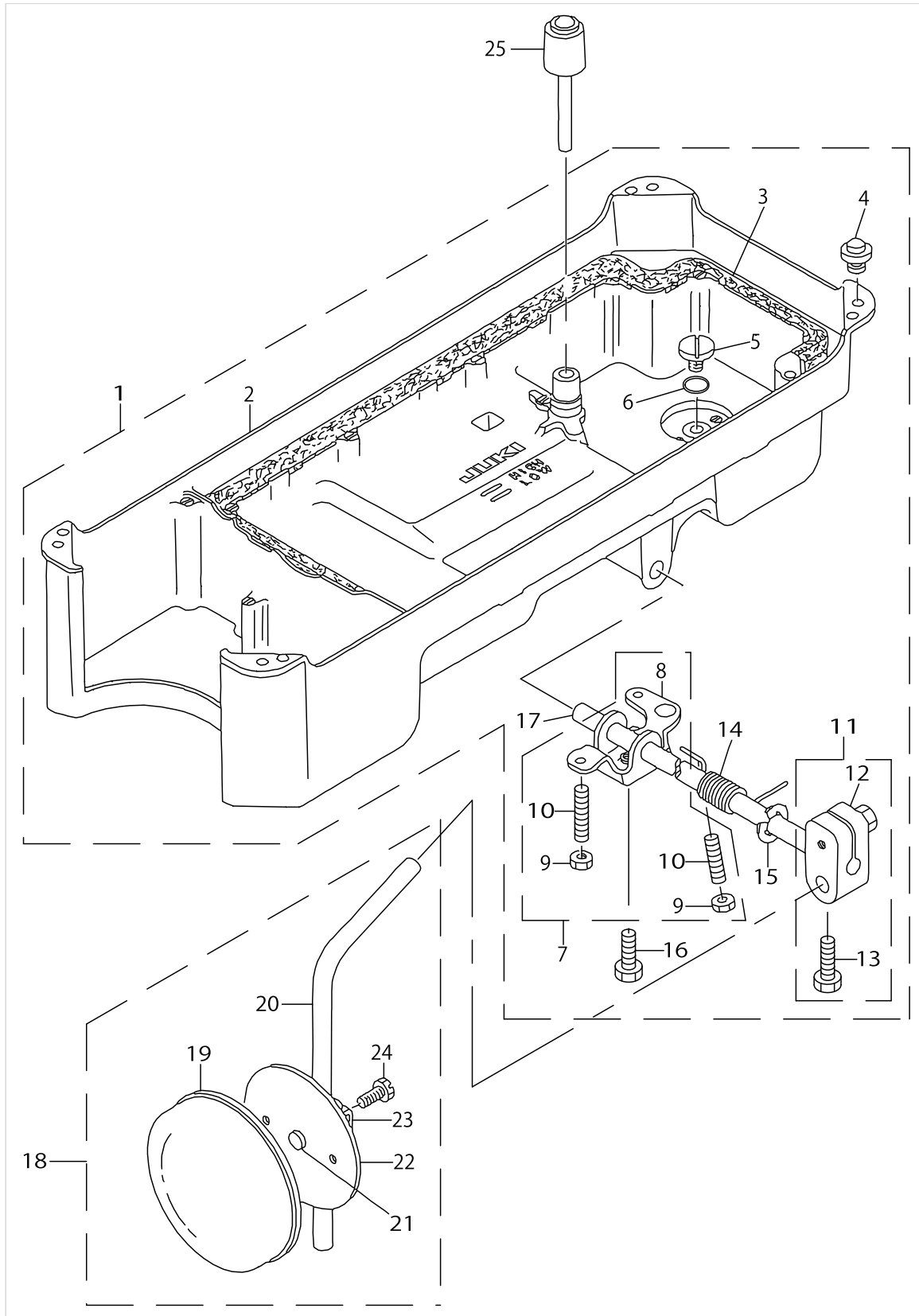
OIL LUBRICATION COMPONENTS



OIL LUBRICATION COMPONENTS

No.	Parts No.	Parts name	Remarks	Level	Cons	Qty
1	22924708	OIL SIGHT WINDOW				1
2	RO195240100	RUBBER RING				1
3	22924401	MAIN SHAFT OIL TUBE				1
4	SS4150915SP	SCREW 15/64-28 L=9				1
5	22924609	MAIN SHAFT OIL TUBE				1
6	SS4120615SP	SCREW 3/16-28 L=6				1
7	22925101	OIL FELT PRESSER				1
8	22924153	OIL RETURN TUBE ASM.				1
9	22924302	HOLDER		*		1
10	CQ252000000	OIL WICK				0.21
11	22924500	OIL TUBE				1
12	22924807	TUBE HOLDER ,LOWER				1
13	SS4150915SP	SCREW 15/64-28 L=9				1
14	22924906	SPRING				1
15	22925002	OIL ADJUSTING SCREW				1
16	22923056	LUBRICATING OIL PUMP ASM.				1
17	22923304	OIL PUMP INSTALLING BASE		*		1
18	SL4030851SF	SCREW M3 L=8		*		3
19	22923007	OIL PUMP		*		1
20	22923700	OIL PUMP IMPELLER		*		1
21	SE4301041SR	SCREW D=3 L=10		*		3
22	22923205	LUBRICATING OIL PUMP COVER		*		1
23	22923809	OIL PUMP IMPELLER COVER		*		1
24	22923403	PLUNGER		*		1
25	22923601	PLUNGER SCREW		*		1
26	22923502	PLUNGER SCREW		*		1
27	22923908	HOOK DRIVING SHAFT OIL TUBE		*		1
28	SS6111010TP	SCREW 11/64-40 L= 9.5				1
29	22924005	OIL PUMP SUPPORT				1

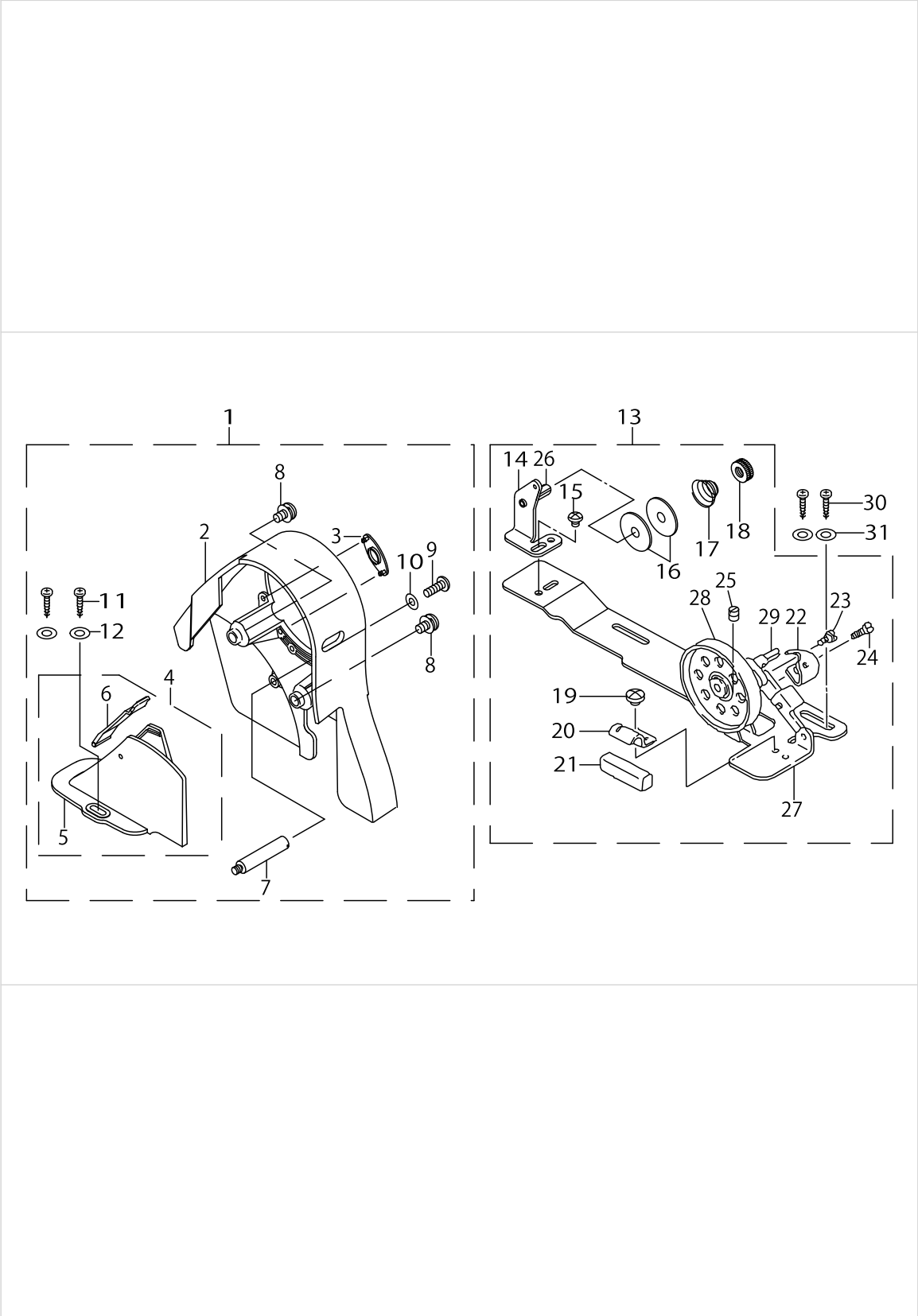
OIL RESERVOIR COMPONENTS



OIL RESERVOIR COMPONENTS

No.	Parts No.	Parts name	Remarks	Level	Cons	Qty
1	22931851	OIL RESERVOIR COMPL.				1
2	22931802	OIL RESERVOIR		*		1
3	22931901	GASKET		*		1
4	22932008	RUBBER CUSHION		*		4
5	SS6700710SH	SCREW 5/16-24 L=7		*		1
6	RO098240100	RUBBER RING		*		1
7	22932156	KNEE LIFTER ROTATION ARM ASM.		*		1
8	22932107	CONNECTING ROT,VERTICAL		*		1
9	NM6060001SE	NUT M6		*		2
10	SM8063012TR	SCREW M6 L=30		*		2
11	22932453	BRACKET ASM.		*		1
12	22932404	BRACKET		*		1
13	SM9062053SR	SCREW M6 L=20		*		2
14	22932206	SPRING		*		1
15	RE1000000K0	E-RING 10		*		1
16	SM9061853SR	SCREW M6 L=17.5		*		1
17	22932305	KNEE PRESS ROD		*		1
18	22934251	KNEE PRESS PLATE ASM.				1
19	22934509	KNEE PRESS PLATE COVER		*		1
20	22934608	KNEE PRESS PLATE ROD		*		1
21	22934400	KNEE PRESS PLATE RUBBER		*		1
22	22934202	KNEE PRESS PLATE		*		1
23	22934301	KNEE PRESS PLATE HOLDER		*		1
24	SM9061203SE	SCREW M6 L=12		*		1
25	22931703	KNEE PRESS LIFTER ROD				1

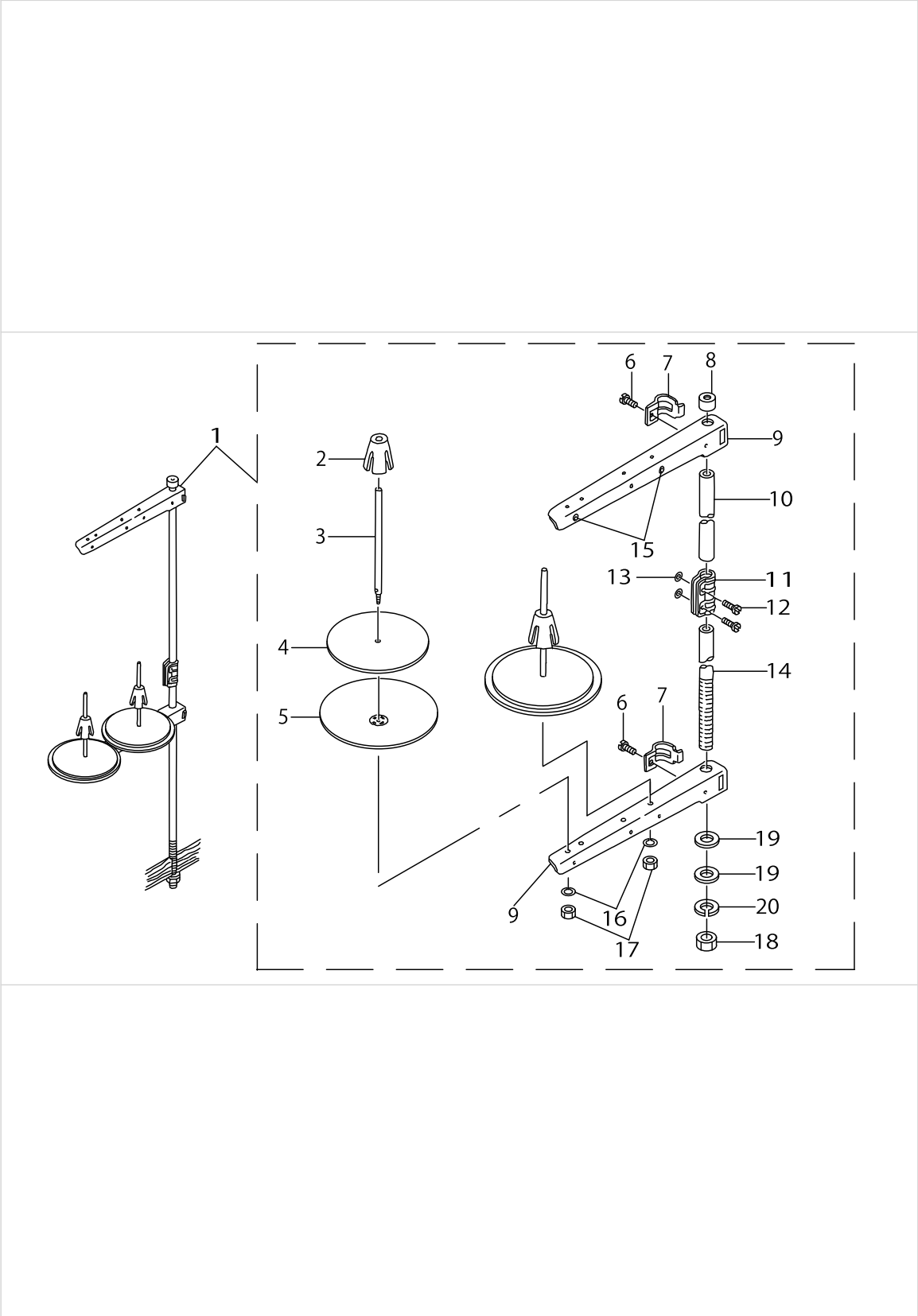
BELT COVER & BOBBIN WINDER COMPONENTS



BELT COVER & BOBBIN WINDER COMPONENTS

No.	Parts No.	Parts name	Remarks	Level	Cons	Qty
1	22933451	BELT COVER ASM.				1
2	22933402	BELT COVER A		*		1
3	22933501	BELT COVER A CAP		*		1
4	22933659	BELT COVER B ASM.		*		1
5	22933600	BELT COVER B		*		1
6	22933758	BELT COVER B CAP ASM.		*		1
7	22933907	BELT COVER SUPPORT ,A		*		1
8	22934004	BELT COVER A SCREW		*		2
9	SS4121415SP	SCREW 3/16-28 L=14		*		1
10	WP0501016SD	WASHER 5X10.5X1		*		1
11	SK3412000SC	WOOD SCREW D=4.1 L=20		*		2
12	WP0450826SC	WASHER 4.5X10X0.8		*		2
13	22927354	BOBBIN WINDER COMPL.				1
14	22928501	THREAD TENSION BRACKET		*		1
15	SS4110515SP	SCREW 11/64-40 L=5		*		1
16	22928907	THREAD TENSION DISK		*		2
17	22929004	THREAD TENSION SPRING		*		1
18	22928808	THREAD TENSION NUT		*		1
19	SS7110350SP	SCREW 11/64-40 L=3.5		*		1
20	22928402	RUBBER BRAKE PRESSER PLATE		*		1
21	22928303	RUBBER BRAKE		*		1
22	22928105	POSITIONING FINGER		*		1
23	SD0490261SP	HINGE SCREW D=4.9 H=2.6		*		1
24	SS7081310SP	SCREW 1/8-44 L=12.5		*		1
25	SS8110510SP	SCREW 11/64-40 L=5		*		1
26	22928709	THREAD TENSION BRACKET		*		1
27	22927305	BOBBIN BASE		*		1
28	22927404	BOBBIN PULLEY		*		1
29	22927602	BOBBIN WINDER POST		*		1
30	SK3412000SC	WOOD SCREW D=4.1 L=20				2
31	WP0450826SC	WASHER 4.5X10X0.8				2

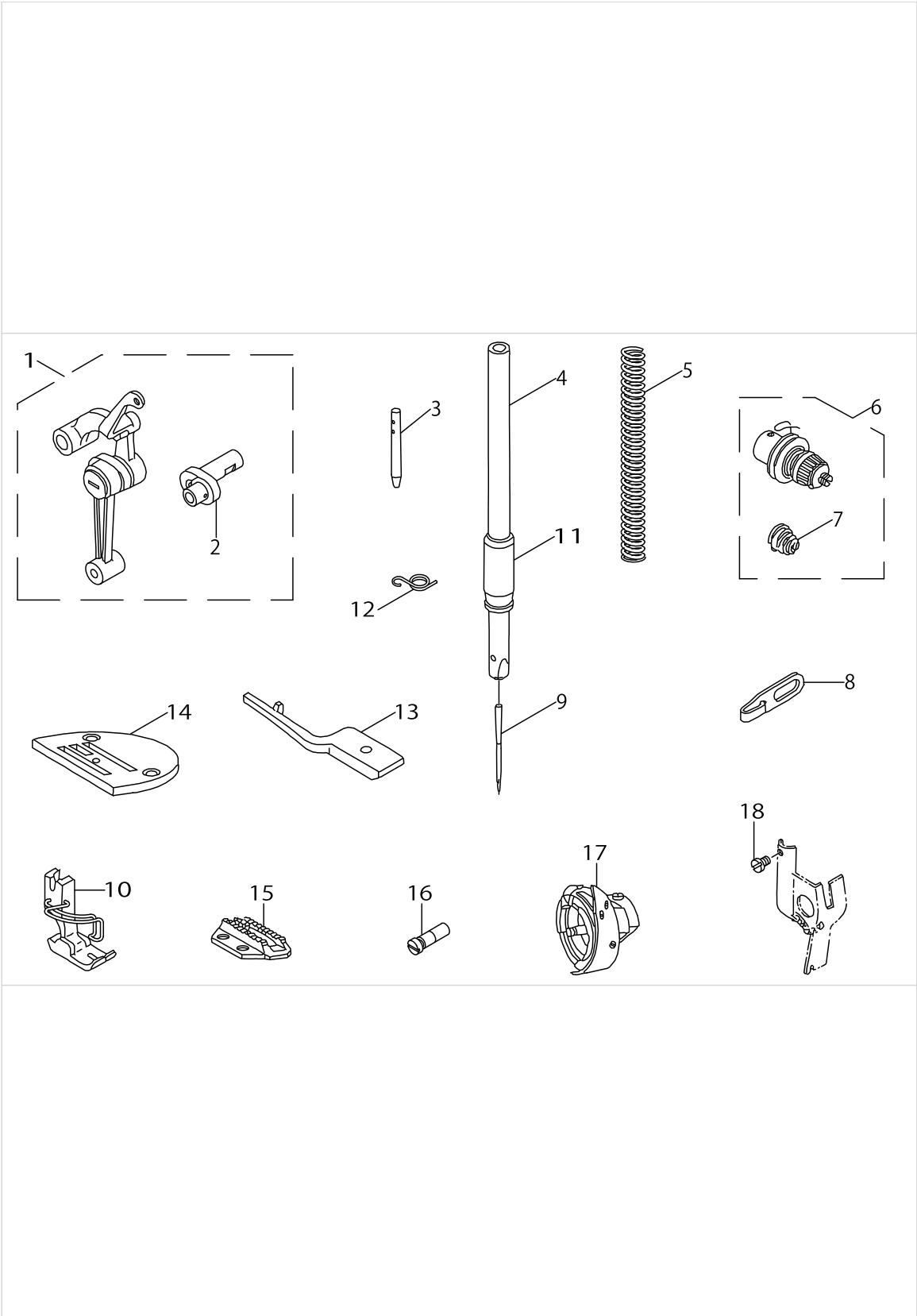
THREAD STAND COMPONENTS



THREAD STAND COMPONENTS

No.	Parts No.	Parts name	Remarks	Level	Cons	Qty
1	22930358	THREAD STAND ASM.				1
2	22931109	SPOOL RETAINER		*		2
3	22931000	SPOOL PIN		*		2
4	22930903	SPOOL REST CUSHION		*		2
5	22930804	SPOOL REST		*		2
6	SM6061610SC	SCREW M6 L=16		*		2
7	22930705	THREAD GUIDE ARM JOINT		*		2
8	22931406	SPOOL REST ROD RUBBER CAP		*		1
9	22930507	SPOOL REST ARM		*		2
10	22930408	SPOOL REST ROD, UPPER		*		1
11	22931307	SPOOL REST ROD JOINT		*		1
12	SM4051405SE	SCREW M5 L=14		*		2
13	NM6050001SE	NUT M5		*		2
14	22930309	SPOOL REST ROD, LOWER		*		1
15	22931208	THREAD GUIDE		*		2
16	WS0510002KN	SPRING WASHER		*		2
17	NM6050001SE	NUT M5		*		2
18	NM6160511SE	NUT M16X1.5		*		1
19	WP1702600S0	WASHER 17X30X2.6		*		2
20	WS1643202KR	SPRING WASHER		*		1

EXCLUSIVE PARTS FOR DDL-8300H



EXCLUSIVE PARTS FOR DDL-8300H

No.	Parts No.	Parts name	Remarks	Level	Cons	Qty
1	11091659	LINK THREAD TAKE-UP LEVER ASM.				1
2	11091600	NEEDLE BAR CRANK H		*		1
3	B1114012000	THREAD GUIDE PIN				1
4	11091303	NEEDLE BAR				1
5	B1505552000A	PRESSER SPRING				1
6	22962054	THREAD TENSION ASM.				1
7	22962005	THREAD TENSION SPRING		*		1
8	11091006	ARM THREAD GUIDE (HA)				1
9	MDB100B2100	NEEDLE DBX1 #21				1
10	B1511543BBA	HINGED PRESSER FOOT ASM.				1
11	B1403553000	NEEDLE BAR BUSHING, LOWER				1
12	B1419553000	NEEDLE BAR THREAD GUIDE				1
13	11091709	POSITIONING FINGER				1
14	B1109555H0B	THROAT PLATE (H)				1
15	B1613555H00	FEED DOG (H)				1
16	B1213552000A	OIL ADJUSTING PIN				1
17	11092459	LUBRICATING BOBBIN ASM.				1
18	SS6080320SP	SCREW 1/8-44 L= 2.5				1

HOW TO MAKE USE OF THIS PARTS LIST

1.As to "#01" and "#02" refer to the "Note" given at the bottom of the respective pages.

2.Codes on the "Qty" column

- Each numeral indicates the number of parts required.
- "0.1" and "2.5" indicate the length (in meters) of the respective parts.

3.Parentheses mean that the corresponding part is a subpart that constructs an assembly part.

4.Dotted lines on the Figures indicate assembly parts.

1. リストページの# 0 1、# 0 2の印は、ページ下の"注記"の説明を参照下さい。
2. 数量欄の数字は、個数を表し、0. 1、2. 5等の数値は、長さ（単位メートル）を表します。
3. 数量欄の（ ）は、組部品を構成している子部品であることを意味します。
4. イラストページの-----枠は、組構成であることを意味します。

NUMERICAL INDEX OF PARTS

PART NO	PAGE	REF NO.	PART NO	PAGE	REF NO.	PART NO	PAGE	REF NO.
11000619	2	9	22907000	10	29	22917157	8	29
11001500	2	22	22907109	10	33	22918064	6	5
11006509	10	5	22907208	10	28	22918072	6	4
11018108	10	23	22907307	10	30	22918106	6	7
11091006	24	8	22907406	10	27	22918304	6	9
11091303	24	4	22907505	10	24	22918502	6	6
11091600	24	2	22907604	10	25	22919203	6	3
11091659	24	1	22907703	10	26	22919559	6	2
11091709	24	13	22907802	10	1	22920003	10	22
11092459	24	17	22908008	10	15	22920201	10	18
22900401	2	8	22908156	10	13	22920300	10	21
22900609	2	18	22908305	10	17	22920409	10	19
22900757	2	4	22908354	10	12	22920508	2	21
22901003	2	45	22908552	10	4	22920607	2	37
22901300	2	43	22908800	10	10	22920706	2	17
22901409	8	1	22908909	10	8	22920805	8	7
22901805	2	47	22909006	10	11	22921209	2	29
22902159	2	1	22911705	12	5	22921308	2	24
22902209	2	2	22911804	12	16	22921407	2	25
22902605	4	48	22911903	12	13	22921506	2	28
22902704	2	42	22912000	12	14	22921605	2	30
22902753	2	41	22912109	12	15	22921704	2	26
22903009	6	31	22912505	12	17	22921803	2	27
22903108	6	15	22912703	12	11	22923007	16	19
22903157	6	10	22912752	12	8	22923056	16	16
22903207	6	25	22912802	12	40	22923205	16	22
22903306	6	27	22912901	12	30	22923304	16	17
22903405	6	20	22913008	12	48	22923403	16	24
22903504	6	21	22913008	14	48	22923502	16	26
22903702	6	28	22913156	12	43	22923601	16	25
22903900	6	32	22913206	12	23	22923700	16	20
22904007	6	26	22913354	12	25	22923809	16	23
22904155	6	23	22913701	12	28	22923908	16	27
22904155	12	49	22915003	12	34	22924005	16	29
22904155	14	49	22915151	12	32	22924153	16	8
22905004	8	23	22915201	12	36	22924302	16	9
22905103	8	25	22915359	12	46	22924401	16	3
22905202	8	26	22916001	8	31	22924500	16	11
22906002	8	3	22916100	8	35	22924609	16	5
22906101	8	2	22916308	8	27	22924708	16	1
22906200	8	8	22916407	8	32	22924807	16	12
22906309	8	10	22916506	8	40	22924906	16	14
22906457	8	4	22916555	8	38	22925002	16	15
22906507	8	6	22916605	8	39	22925101	16	7
22906606	6	8	22917058	8	36	22927206	6	29

NUMERICAL INDEX OF PARTS

PART NO	PAGE	REF NO.	PART NO	PAGE	REF NO.	PART NO	PAGE	REF NO.
22927305	20	27	22933758	20	6	B3118552E00	2	34
22927354	20	13	22933907	20	7	CM3002001A1	2	46
22927404	20	28	22934004	20	8	CQ252000000	16	10
22927602	20	29	22934202	18	22	MDB100B1400	8	11
22928105	20	22	22934251	18	18	MDB100B2100	24	9
22928303	20	21	22934301	18	23	NM6050001SE	22	17
22928402	20	20	22934400	18	21	NM6060001SE	18	9
22928501	20	14	22934509	18	19	NM6160511SE	22	18
22928709	20	26	22934608	18	20	NS6680410SP	12	31
22928808	20	18	22945307	2	31	RC0150001KP	12	42
22928907	20	16	22945356	2	23	RC1850001KP	6	22
22929004	20	17	22962005	24	7	RC2501211KP	6	19
22930309	22	14	22962054	24	6	RE0500000K0	10	34
22930358	22	1	22965909	2	35	RE1000000K0	18	15
22930408	22	10	22966105	6	18	RO029180100	6	33
22930507	22	9	22966154	6	16	RO037180100	10	3
22930705	22	7	22966204	6	34	RO044240100	6	13
22930804	22	5	22966303	12	1	RO078190100	14	51
22930903	22	4	22966402	12	2	RO092270200	12	29
22931000	22	3	22966550	12	21	RO098240100	18	6
22931109	22	2	22966600	12	4	RO195240100	16	2
22931208	22	15	22966758	12	19	SD0380552SL	2	16
22931307	22	11	22967103	12	18	SD0490261SP	20	23
22931406	22	8	22967202	12	7	SD0720331SP	10	9
22931703	18	25	22967301	4	50	SD1000801SH	12	35
22931802	18	2	B1109555H0B	24	14	SE4301041SR	16	21
22931851	18	1	B1114012000	24	3	SK3412000SC	20	30
22931901	18	3	B1213552000A	24	16	SL4030851SF	16	18
22932008	18	4	B13050120A0	8	14	SM4051405SE	22	12
22932107	18	8	B13061550A0	8	16	SM6061610SC	22	6
22932156	18	7	B13061550B0	8	13	SM8061010TP	12	10
22932206	18	14	B13061550C0	8	12	SM8061050TP	12	9
22932305	18	17	B13071550A0	8	19	SM8063012TR	18	10
22932404	18	12	B13071550B0	8	18	SM9061203SE	18	24
22932453	18	11	B13081550A0	8	21	SM9061853SR	18	16
22932503	2	13	B1403553000	24	11	SM9062053SR	18	13
22932552	2	12	B1419553000	24	12	SS2110920TP	2	36
22932602	2	14	B1505552000A	24	5	SS4080620TP	12	26
22932701	2	15	B1511543BBA	24	10	SS4110515SP	20	15
22932909	8	41	B1521555000	10	2	SS4110915SP	8	33
22933402	20	2	B15240120BA	10	20	SS4120615SP	2	20
22933451	20	1	B1613012A00	12	27	SS4120615SP	16	6
22933501	20	3	B1613555H00	24	15	SS4120915SP	2	40
22933600	20	5	B18301270A0	8	24	SS4120915SP	8	34
22933659	20	4	B18370120A0	8	42	SS4121415SP	20	9

NUMERICAL INDEX OF PARTS

PART NO	PAGE	REF NO.	PART NO	PAGE	REF NO.
SS4150915SP	16	13	WS0510002KN	22	16
SS6060210SP	2	44	WS1643202KR	22	20
SS6080320SP	24	18	WZ1250300K0	14	53
SS6080410SP	2	3			
SS6090670TP	8	5			
SS6090910SP	10	32			
SS6110420TP	8	30			
SS6110610TP	2	38			
SS6111010TP	16	28			
SS6121860SP	12	12			
SS6661110SP	6	17			
SS6700710SH	18	5			
SS7080510TP	8	9			
SS7081310SP	20	24			
SS7091110SP	10	6			
SS7110350SP	20	19			
SS7110740TP	12	41			
SS7111120SP	12	47			
SS7120770SH	12	6			
SS7121410TP	12	44			
SS7121610SP	12	33			
SS7620750SP	14	52			
SS7681650TP	6	14			
SS8090670SP	2	32			
SS8110410TP	8	37			
SS8110510SP	20	25			
SS8150710SP	2	33			
SS8151150SP	6	1			
SS8151550SP	6	30			
SS8660610TP	6	24			
SS8660610TP	12	50			
SS8660610TP	14	50			
SS8660810TP	8	22			
SS8660810TP	10	31			
SS8681650TP	6	11			
TA0850604R0	2	5			
TA0950806R0	4	49			
TA1250406R0	2	39			
TA1250705R0	2	6			
TA2000502R0	2	10			
TA2101002R0	2	11			
WP0450826SC	20	31			
WP0480856SP	12	45			
WP0501016SD	20	10			
WP1702600S0	22	19			