

MODEL : AK118

List No : 1266-01

# PARTS LIST

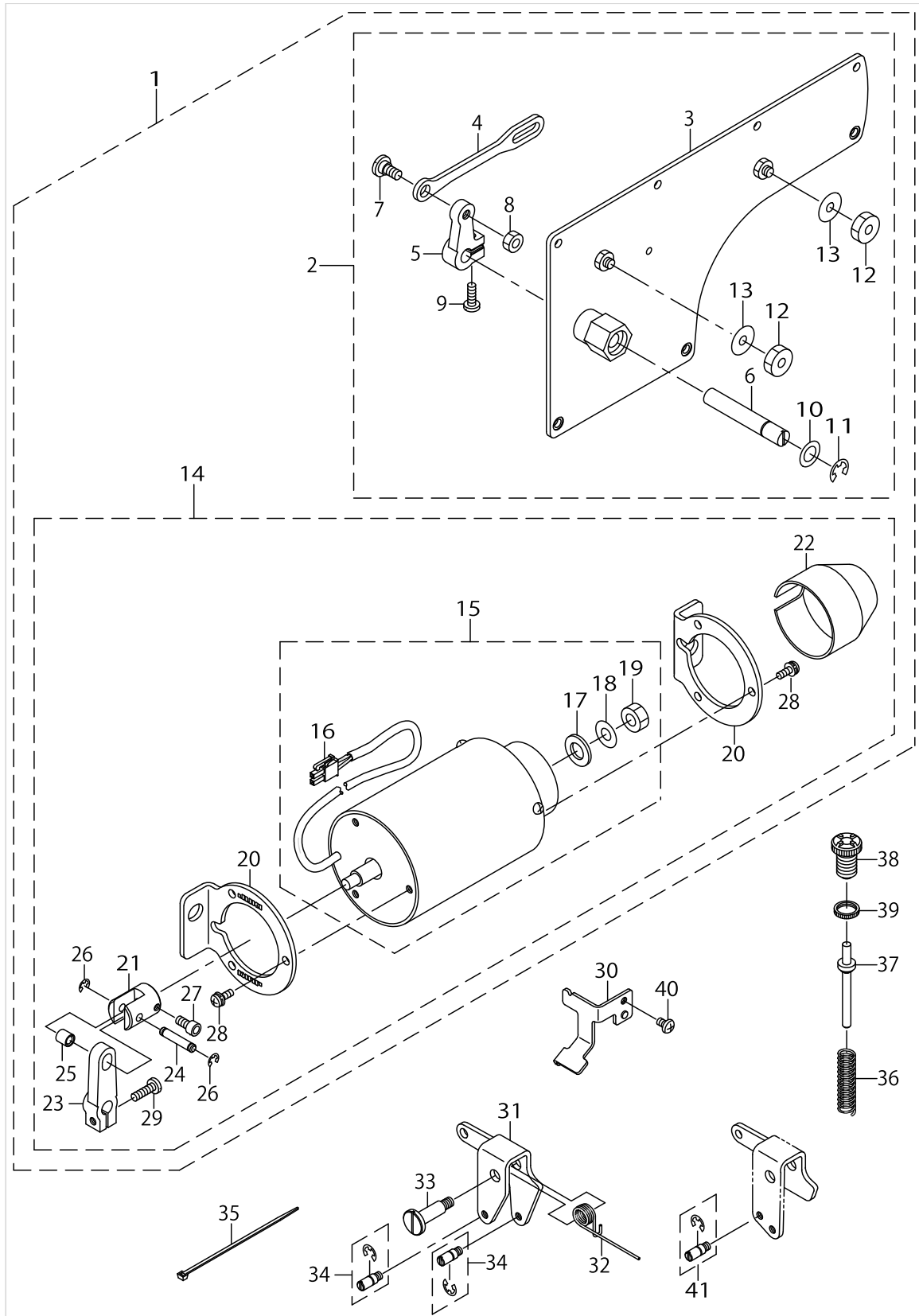
Published:09/10/2017

## CONTENTS

---

AK DEVICE COMPONENTS.....	1
HOW TO MAKE USE OF THIS PARTS LIST .....	3

AK DEVICE COMPONENTS



AK DEVICE COMPONENTS

No.	Parts No.	Parts name	Remarks	Level	Cons	Qty
1	GAKA18010A0	AK DEVICE ASM.				1
2	GAKA18200B0	SIDE PLATE ASM.		*		1
3	GAKA18200A0	SIDE PLATE COMPL.		*		1
4	GAKA1826000	SOLENOID LINK		*		1
5	GAK33027000	SOLENOID ARM		*		1
6	GAK33028000	SOLENOID SHAFT		*		1
7	SD0800352SP	HINGE SCREW D= 8 H= 3.5		*		1
8	NS6150310SP	NUT 15/64-28		*		1
9	SS7121410SP	SCREW 3/16-28 L=14		*		1
10	WP1021016SD	WASHER		*		1
11	RE0700000K0	E-RING 7		*		1
12	NS6150440SP	NUT 15/64-28		*		2
13	WP0621036SP	WASHER		*		2
14	GAKA18300B0	AK SOLENOID ASM.,B		*		1
15	GAKA18300A0	AK SOLENOID ASM.,A		*		1
16	HK034610020	2-POLE NYLON PLUG		*		1
17	GAK33031000	SOLENOID RUBBER, A		*		1
18	WP0851846SC	WASHER 8.5X22.0X1.8		*		1
19	NM6080600SM	NUT M8		*		1
20	GAK3303400A	SOLENOID BASE		*		2
21	GAK33035000	SOLENOID COLLAR		*		1
22	GAK3303600A	SOLENOID COVER		*		1
23	GAK33011000	SOLENOID ARM, A		*		1
24	GAK33012000	SOLENOID PIN		*		1
25	GAK33013000	SOLENOID PIN COLLAR		*		1
26	RE0400000KP	E-RING 4		*		2
27	SM6051002TP	SCREW M5X0.8 L=10		*		1
28	SL4051281SE	SCREW		*		6
29	SM6051552TP	SCREW M5 L=15		*		1
30	GAKA1840000	KNEE LIFTER LINK SPRING PLATE	FOR DDL-9000			1
31	GAKA1841000	KNEE LIFTER LINK	FOR DDL-9000			1
32	GAKA1842000	KNEE LIFTER LINK SPRING				1
33	GAKA1843000	KNEE LIFTER LINK FULCRUM SHAFT	FOR DDL-9000			1
34	GAK330400A0	SHAFT PIN ASM.	FOR DDL-9000			2
35	HX000430000	CLIP				1
36	M4011351000	SPRING B				2
37	M4009351000A	SPRING SHAFT B				1
38	M4012351000	ADJUST SCREW				1
39	M2010110000	ADJUST NUT				1
40	SS4110715SP	SCREW 11/64-40 L=7	FOR DDL-9000			1
41	GAK330400A0	SHAFT PIN ASM.	FOR DLN-9010			1

## HOW TO MAKE USE OF THIS PARTS LIST

1.As to "#01" and "#02" refer to the "Note" given at the bottom of the respective pages.

2.Codes on the "Qty" column

- Each numeral indicates the number of parts required.
- "0.1" and "2.5" indicate the length (in meters) of the respective parts.

3.Parentheses mean that the corresponding part is a subpart that constructs an assembly part.

4.Dotted lines on the Figures indicate assembly parts.

1. リストページの# 0 1、# 0 2の印は、ページ下の"注記"の説明を参照下さい。
2. 数量欄の数字は、個数を表し、0. 1、2. 5等の数値は、長さ（単位メートル）を表します。
3. 数量欄の（ ）は、組部品を構成している子部品であることを意味します。
4. イラストページの-----枠は、組構成であることを意味します。

## NUMERICAL INDEX OF PARTS

PART NO	PAGE	REF NO.
GAK33011000	2	23
GAK33012000	2	24
GAK33013000	2	25
GAK33027000	2	5
GAK33028000	2	6
GAK33031000	2	17
GAK3303400A	2	20
GAK33035000	2	21
GAK3303600A	2	22
GAK330400A0	2	41
GAKA18010A0	2	1
GAKA18200A0	2	3
GAKA18200B0	2	2
GAKA1826000	2	4
GAKA18300A0	2	15
GAKA18300B0	2	14
GAKA1840000	2	30
GAKA1841000	2	31
GAKA1842000	2	32
GAKA1843000	2	33
HK034610020	2	16
HX000430000	2	35
M2010110000	2	39
M4009351000A	2	37
M4011351000	2	36
M4012351000	2	38
NM6080600SM	2	19
NS6150310SP	2	8
NS6150440SP	2	12
RE0400000KP	2	26
RE0700000K0	2	11
SD0800352SP	2	7
SL4051281SE	2	28
SM6051002TP	2	27
SM6051552TP	2	29
SS4110715SP	2	40
SS7121410SP	2	9
WP0621036SP	2	13
WP0851846SC	2	18
WP1021016SD	2	10