

MODEL : MOL-254

List No : 1265-07

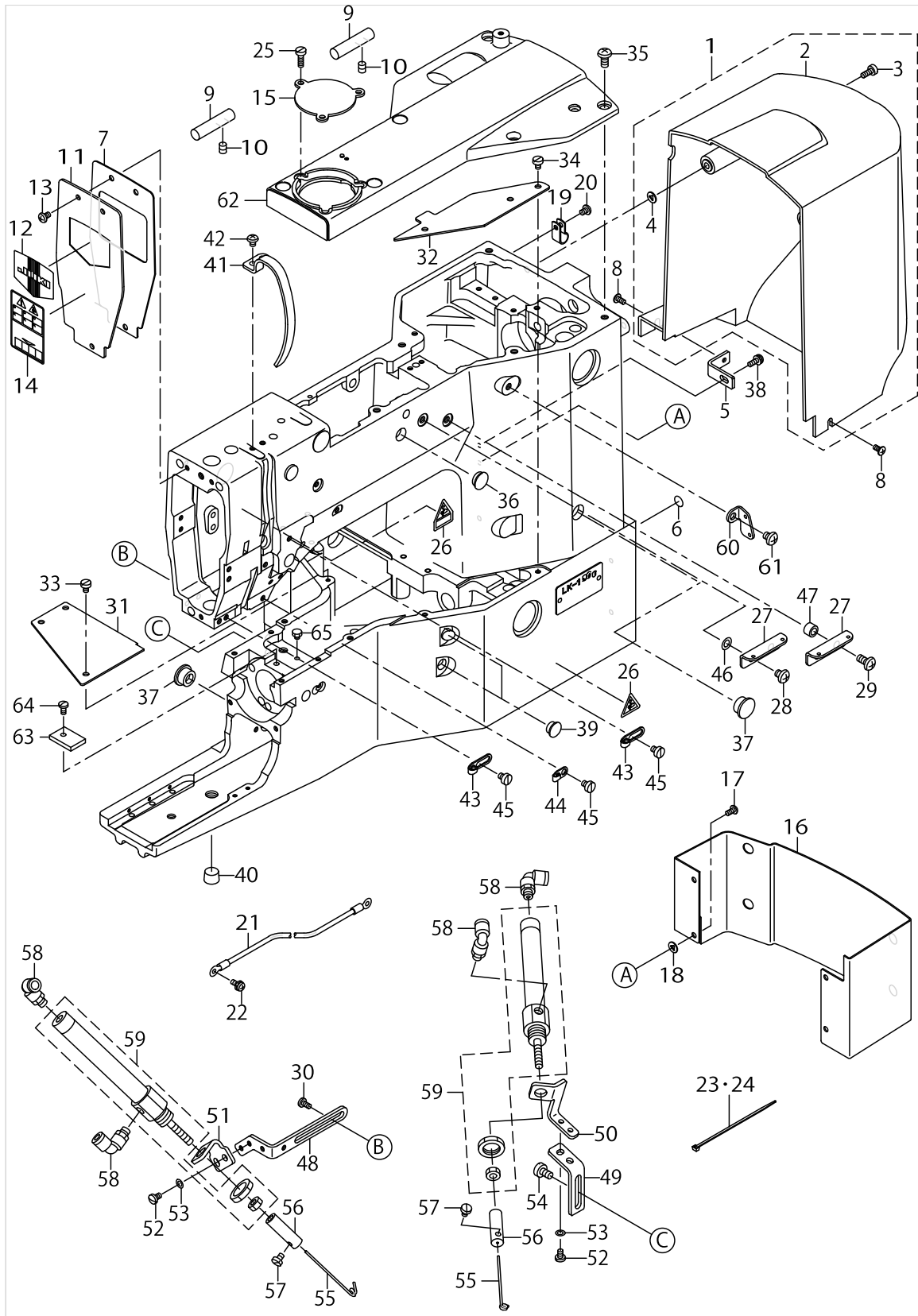
PARTS LIST

Published:09/10/2017

CONTENTS

MACHINE FRAME & MISCELLANEOUS COMPONENTS.....	1
NEEDLE BAR COMPONENTS	5
MAIN SHAFT COMPONENTS	9
HOOK DRIVING SHAFT COMPONENTS	11
FEED MECHANISM COMPONENTS.....	15
TENSION RELEASE & THEREAD TRIMMER MECHANISM COMPONENTS.....	21
THREAD TENSION & DISK RISING COMPONENTS	25
THREAD PRESSER COMPONENTS	29
HOOK BASE COMPONENTS(1).....	31
HOOK BASE COMPONENTS(2).....	35
2ND HOOK MOVE COMPONENTS.....	39
LUBRICATION COMPONENTS	41
SAFETY COMPONENTS	43
BELT LOOP SUPPLY COMPONENTS.....	45
BELT LOOP FOLDING COMPONENTS.....	49
BELT RECEIVER COMPONENTS.....	51
BELT LOOP FEED COMPONENTS.....	55
CLAMP FEED COMPONENTS.....	59
KNIFE COMPONENTS.....	61
SUPPLYING DEVICE BASE COMPONENTS.....	65
FACING & FILTER COMPONENTS.....	67
PNEUMATIC COMPONENTS	69
TABLE COMPONENTS.....	73
CONTROL BOX COMPONENTS	77
OPERATION BOX COMPONENTS	81
WIRING DIAGRAM.....	83
THREAD STAND COMPONENTS.....	87
ACCESSORY PARTS COMPONENTS.....	89
FULLNESS DEVICE COMPONENTS (OPTION).....	91
NEEDLE COOLER COMPONENTS (OPTION)	93
THREAD BREAKAGE DETECT DEVICE COMPONENTS (OPTION).....	95
THREAD GUIDE COMPONENTS (OPTION)	97
AIR GUN COMPONENTS (OPTION)	99
LOOP PULL-OUT DEVICE COMPONENTS (OPTION).....	101
LIST FOR INFORMATION OF CHANGE(1)	103
LIST FOR INFORMATION OF CHANGE(2)	104
HOW TO MAKE USE OF THIS PARTS LIST	105

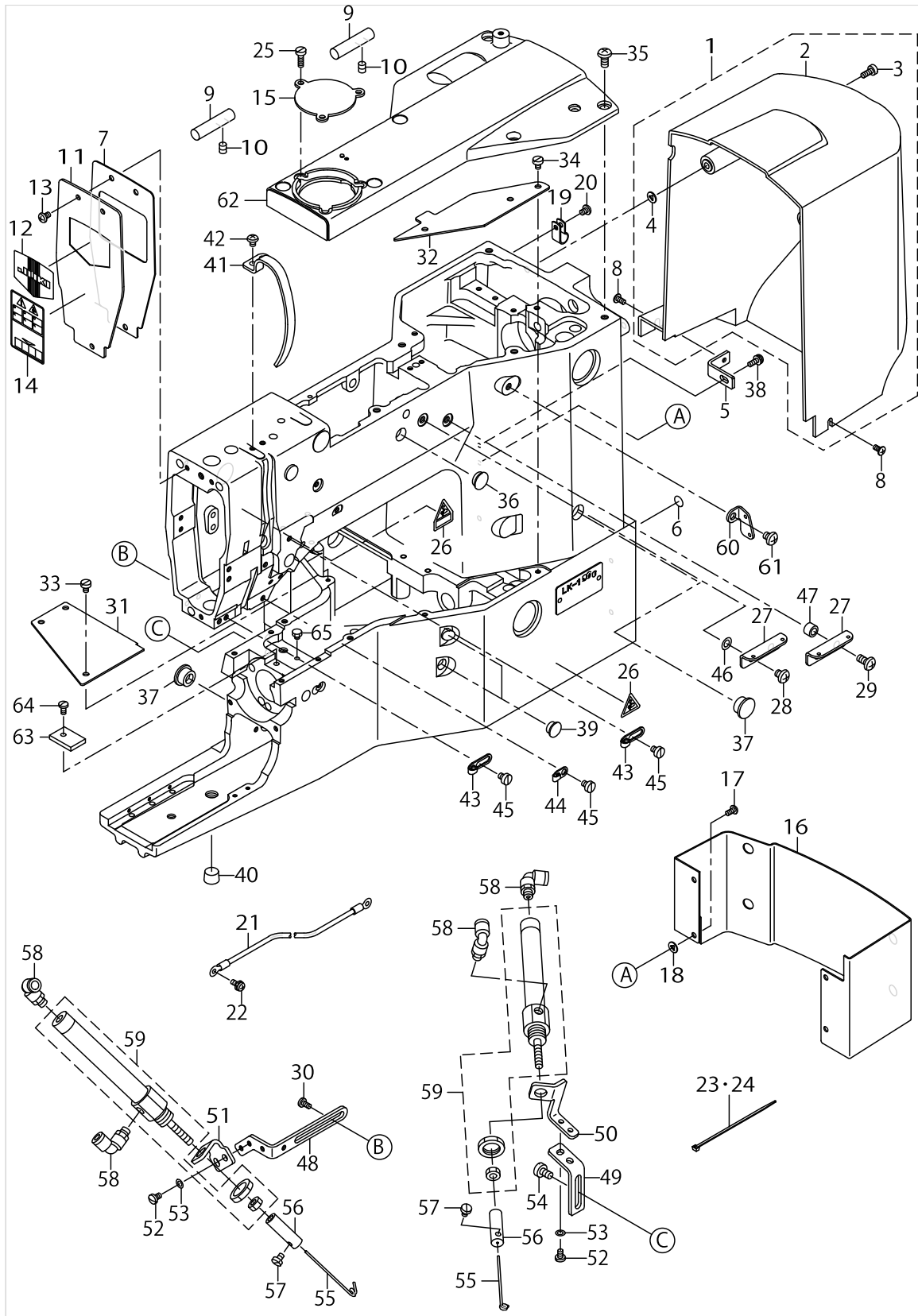
MACHINE FRAME & MISCELLANEOUS COMPONENTS



MACHINE FRAME & MISCELLANEOUS COMPONENTS

No.	Parts No.	Parts name	Remarks	Level	Cons	Qty
1	14400055	HEAD COVER A ASM.				1
2	14400006	HEAD COVER A		*		1
3	SS6111140SP	SCREW 11/64-40 L=11		*		2
4	M8002430000	STOPPER		*		2
5	14400204	HEAD COVER FIXED PLATE				1
6	22901805	GROUND MARK				2
7	14401400	FACE GASKET				1
8	SM0040801SC	SCREW				2
9	40033825	HEAD_FIXED_SHAFT				2
10	SS8150822TP	SCREW 15/64-28 L=8				2
11	14401301	FACE PLATE				1
12	11000403	PLATE				1
13	SS4110715SP	SCREW 11/64-40 L=7	FOR USE IN JAPAN			3
14	CM301200001	SAFETY LABEL_S				1
15	14401707	BOBBIN COVER				1
16	14400105	HEAD COVER B				1
17	SS4110815SP	SCREW 11/64-40 L=8				4
18	M8002430000	STOPPER				4
19	HX00150000C	CABLE CLIP				1
20	SS4110615SP	SCREW 11/64-40 L=6				1
21	G85152860A0	BR EARTH CORD ASM.				1
22	SL4041091SC	SCREW M4 L=10				1
23	EA9500B0100	CABLE BAND	FOR USE IN JAPAN			10
24	EA9500B0200	CABLE BAND 150	FOR EXPORT			2
25	SS6111140SP	SCREW 11/64-40 L=11				3
26	CM300200002	CAUTION LABEL(25)				4
27	B2039373000	THREAD GUIDE NO.1				2
28	SS4150715SP	SCREW 15/64-28 L=7				1
29	SS4151215SP	SCREW 15/64-28 L=12				1
30	SS7110840SP	SCREW 11/64-40 L=7.8				2
31	14401509	BED COVER A				1
32	14401608	BED COVER B				1
33	SS6110610TP	SCREW 11/64-40 L=6				3
34	SS6110610TP	SCREW 11/64-40 L=6				2
35	SS4151215SP	SCREW 15/64-28 L=12				6
36	TA1250406R0	RUBBER PLUG D=12.5 L=4				1
37	TA1470704R0	RUBBER PLUG				2
38	SL4041291SC	SCREW M4 L=12				1
39	TA1050504R0	RUBBER PLUG				2
40	PJ025200001	RUBBER PLUG				1
41	13871702	BALANCE COVER				1
42	SS4120615SP	SCREW 3/16-28 L=6				2
43	13870902	BALANCE THREAD GUIDE, C				3
44	13922208	TAKE-UP THREAD GUIDE B				1
45	SS6120620TP	SCREW				4
46	WP0641600SC	WASHEW 6.4X12.5X1.6				1
47	MAZ12665000	MAGNET FITTING BASE COLLAR				1

MACHINE FRAME & MISCELLANEOUS COMPONENTS



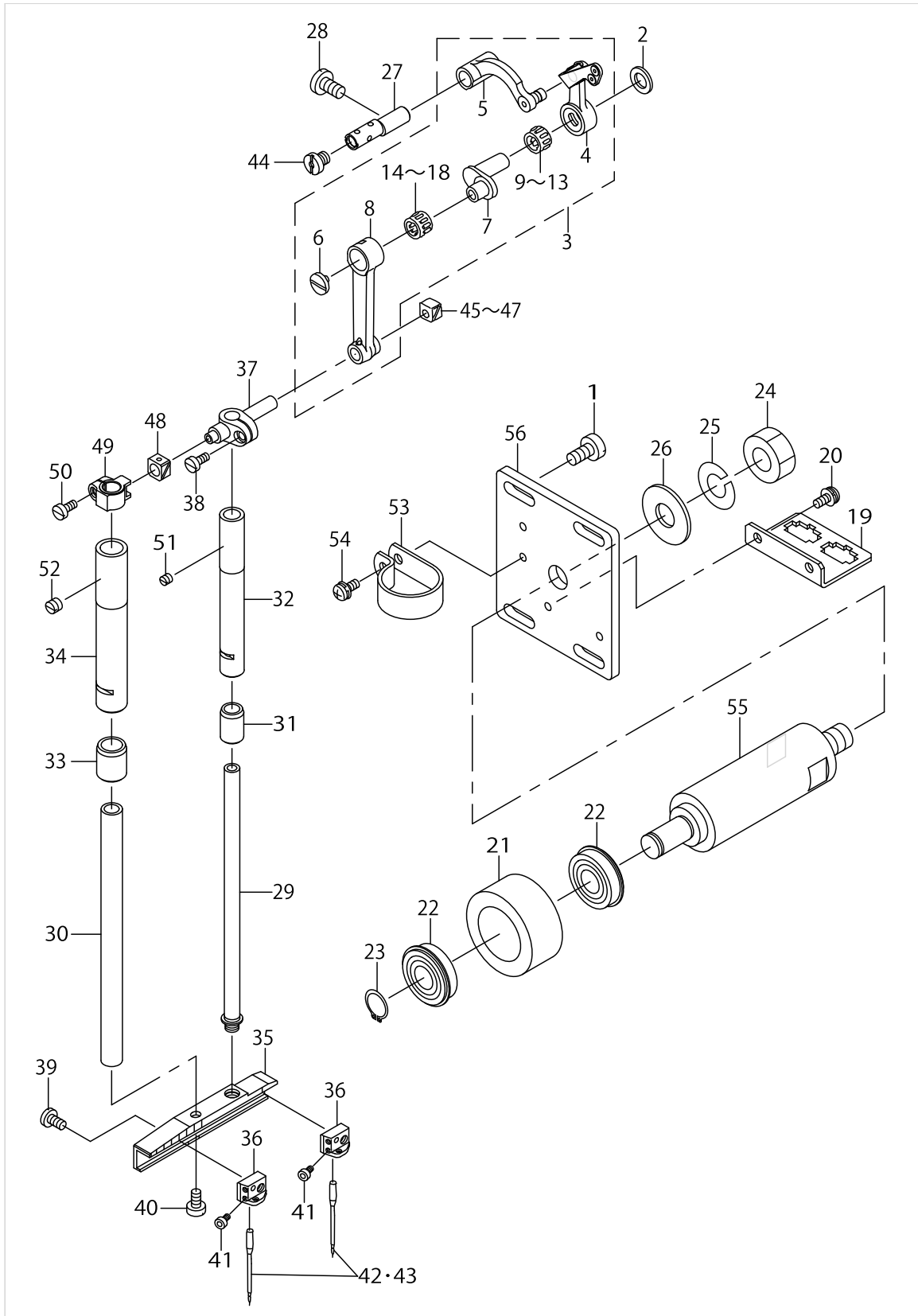
MACHINE FRAME & MISCELLANEOUS COMPONENTS

No.	Parts No.	Parts name	Remarks	Level	Cons	Qty
48	14401806	WIPER CYLINDER BASE (A)				1
49	13872007	WIPER CYLINDER BASE, B				1
50	13872304	WIPER CYLINDER BASE (C)				1
51	13879903	WIPER CYLINDER BASE (D)				1
52	SS7110710SP	SCREW 11/64-40 L=7				4
53	WP0480856SP	WASHER 4.8X8.4X0.8				4
54	SS6151040SP	SCREW 15/64-28 L=10				2
55	13872106	WIPER				2
56	13872205	WIPER PRESSER				2
57	SS6080410SP	SCREW 1/8-44 L=4				2
58	PJ304040504	ELBOW UNION				4
59	PA1004001A0	AIR CYLINDER				2
60	B1111232000	THREAD GUIDE PLATE				1
61	SS4150715SP	SCREW 15/64-28 L=7				1
62	14100309	TOP COVER				1
63	40091332	THREAD_CUT_LEVER_FELT				1
64	SS7110840SP	SCREW 11/64-40 L=7.8				1
65	SS9110453TP	SCREW				1

NEEDLE BAR COMPONENTS

No.	Parts No.	Parts name	Remarks	Level	Cons	Qty
1	SS6151210SP	SCREW 15/64-28 L=12				4
2	B1223771000	NEEDLE ROD CRANK WASHER				1
3	14402960	LINK BALANCE ASM.				1
4	14402952	LINK BALANCE COMPL.		*		1
5	14403000	BALANCE CRANK		*		1
6	B1903552000	LEFT SCREW		*		1
7	D1203L7VV00	NEEDLE BAR CRANK, HEAVY		*		1
8	14403109	NEEDLE BAR CRANK ROD		*		1
9	B1905541000	NEEDLE BUSHING	SELECTIVE PARTS	*		1
10	B1905541A00	NEEDLE BEARING, A	SELECTIVE PARTS	*		1
11	B1905541B00	NEEDLE BEARING	SELECTIVE PARTS	*		1
12	B1905541C00	NEEDLE BEARING	SELECTIVE PARTS	*		1
13	B1905541D00	NEEDLE BEARING	SELECTIVE PARTS	*		1
14	B1411804000	NEEDLE DRIVING LEVER BEARING	SELECTIVE PARTS	*		1
15	B1411804A00	BEARING (A)	SELECTIVE PARTS	*		1
16	B1411804B00	NEEDLE DRIVING LEVER BEARING B	SELECTIVE PARTS	*		1
17	B1411804C00	NEEDLE DRIVING LEVER BEARING C	SELECTIVE PARTS	*		1
18	B1411804D00	BEARING (D)	SELECTIVE PARTS	*		1
19	14400303	MOTOR WIRE HARNESS RELAY BASE				1
20	SL4041091SC	SCREW M4 L=10				2
21	14404305	IDLER PULLEY				1
22	SB112000700	BEARING				2
23	RC1200001KP	C-SHAPED SNAP RING				1
24	NM6120001CP	NUT M12				1
25	WS1220002KP	SPRING WASHER				1
26	14023303	SPACER				1
27	D1904L7VV00	LINK TAKE-UP LEVER PIN, HEAVY				1
28	SS7151120SP	SCREW 15/64-28 L=11				1
29	14403612	NEEDLE ROD				1
30	14403711	NEEDLE ROD SUPPORT SHAFT				1
31	14403208	NEEDLE ROD LOWER METAL A				1
32	B1402280000	NEEDLE ROD METAL				1
33	14403307	NEEDLE ROD LOWER METAL B				1
34	14403406	NEEDLE ROD UPPER METAL A				1
35	14404016	NEEDLE ROD BASE				1
36	14404800	NEEDLE INSTALLING BASE				2
37	14403802	NEEDLE ROD HOLDER A				1
38	SS6090810TP	SCREW 9/64-40 L=7.5				1
39	SS7110840SP	SCREW 11/64-40 L=7.8				2
40	SS6110820TP	SCREW 11/64-40 L=8				1
41	SM6850502TN	SCREW M2.5 L=5				2
42	MDP170B1900	NEEDLE DPX17 #19	FOR USE IN JAPAN			2
43	MDP170B2100	NEEDLE DPX17 #21	FOR EXPORT			2
44	D1906L7VV00	SET SCREW				1
45	B1414232000	SQUARE BLOCK	SELECTIVE PARTS			1
46	B141423200A	CRANK SLIDE BLOCK	SELECTIVE PARTS			1
47	B141423200B	GUIDE ROLLER	SELECTIVE PARTS			1

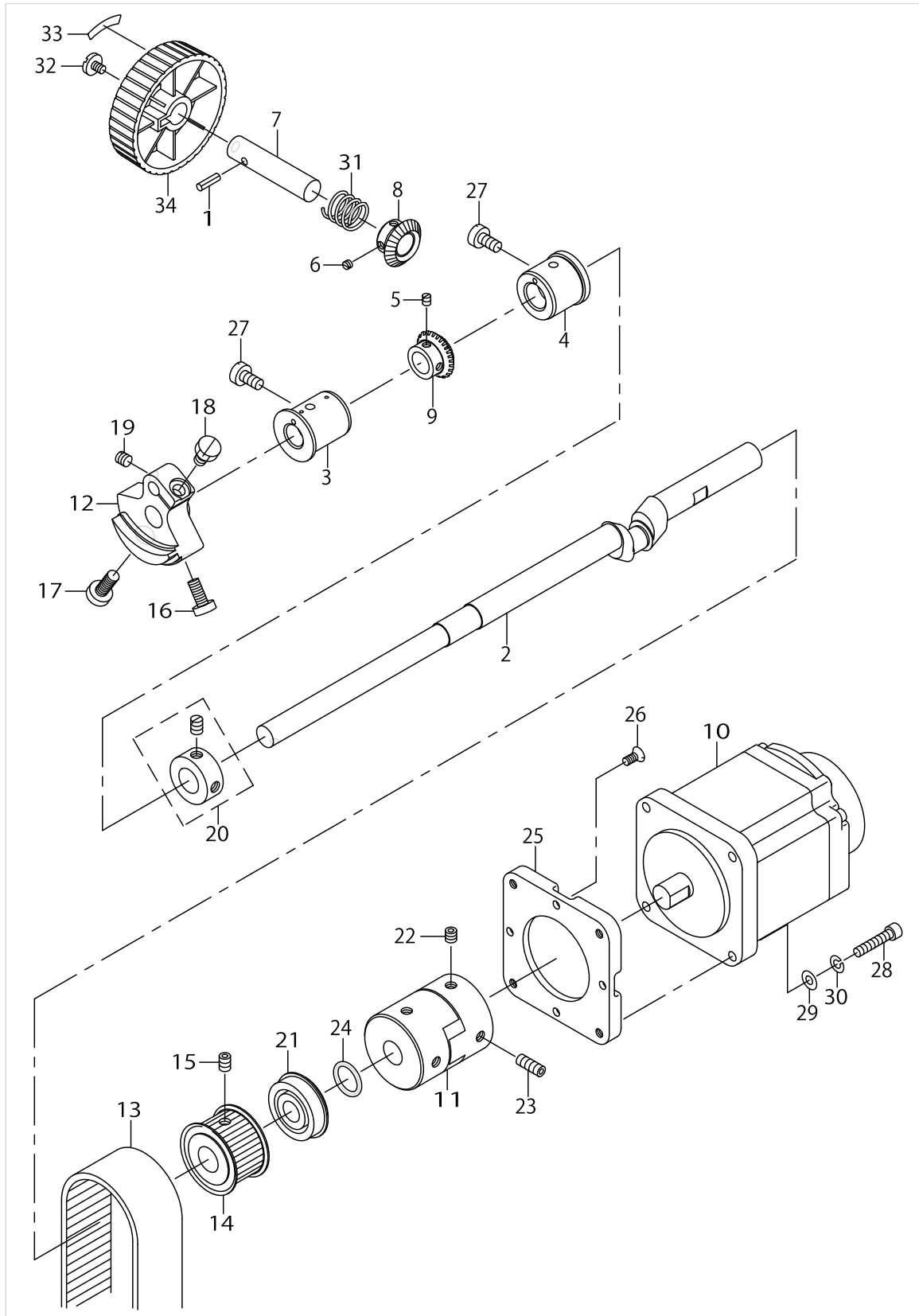
NEEDLE BAR COMPONENTS



NEEDLE BAR COMPONENTS

No.	Parts No.	Parts name	Remarks	Level	Cons	Qty
48	B3035280000	SAFETY PLATE SLIDE BLOCK				1
49	14403901	NEEDLE ROD HOLDER B				1
50	SS6090810TP	SCREW 9/64-40 L=7.5				1
51	SS8110422TP	SCREW 11/64-40 L=4				1
52	SS8150510TP	SCREW 15/64-28 L= 4.7				1
53	HX00150000N	CABLE CLIP				1
54	SL4041091SC	SCREW M4 L=10				1
55	14404404	IDLER PULLEY SHAFT				1
56	14404503	IDLER PULLEY BASE				1

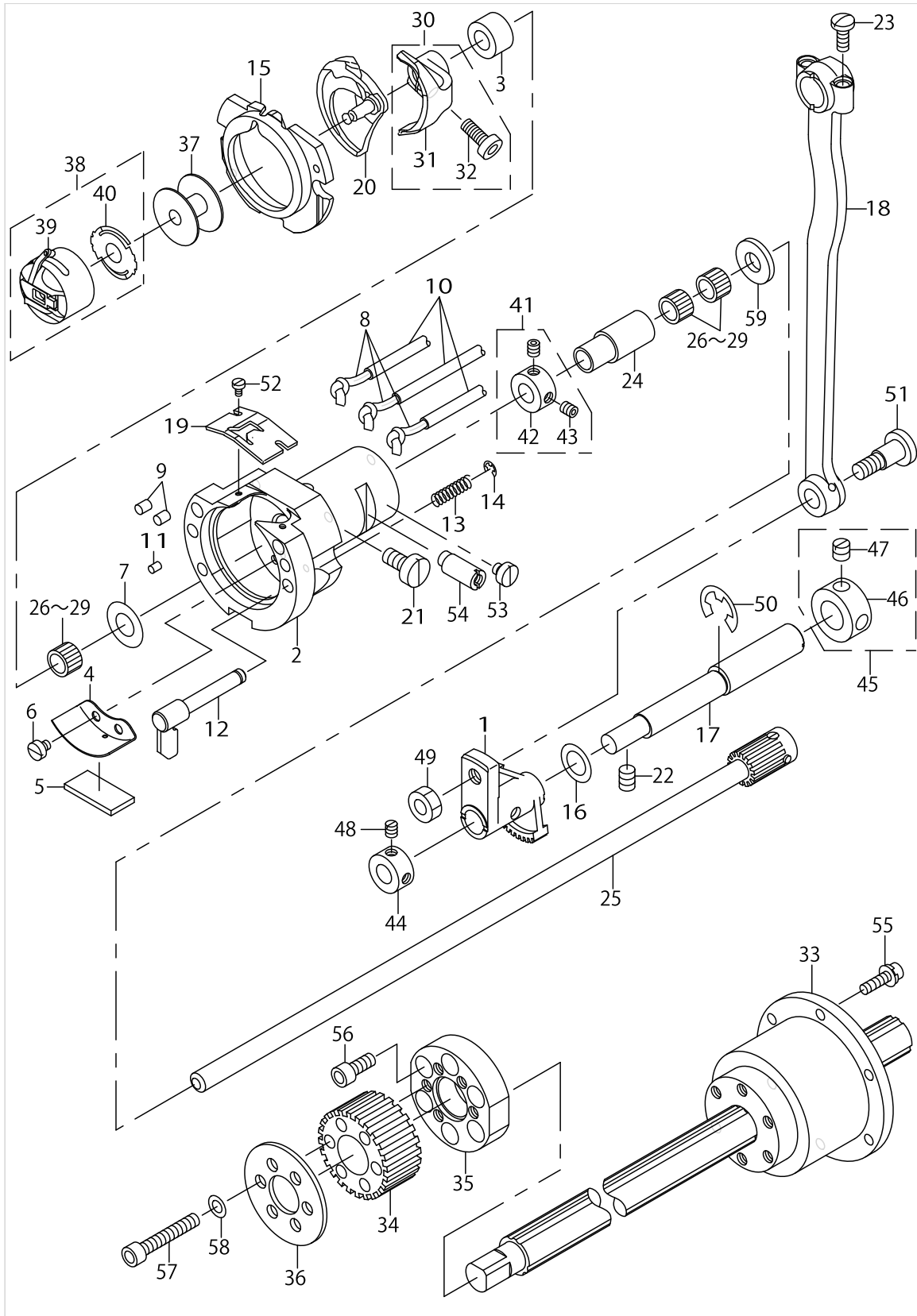
MAIN SHAFT COMPONENTS



MAIN SHAFT COMPONENTS

No.	Parts No.	Parts name	Remarks	Level	Cons	Qty
1	PS0400142KH	SPRING PIN 4X14				1
2	14402705	MAIN SHAFT				1
3	14403505	MAIN SHAFT FRONT METAL				1
4	14102305	MAIN SHAFT BUSHING, MIDDLE				1
5	SS8110520TP	SCREW 11/64-40 L= 4.5				2
6	SS8110310SP	SCREW 11/64-40 L= 2.8				2
7	26500306	HAND PULLEY SHAFT				1
8	14102800	HAND PULLEY GEAR B				1
9	14102701	HAND PULLEY GEAR A				1
10	40098090	SERVO MOTOR 550W				1
11	B1231210D00	COUPLING				1
12	14402804	COUNTER WEIGHT				1
13	14404206	TIMING BELT				1
14	14404107	DRIVING SPROCKET				1
15	SM8060802TP	SCREW M6 L=8				2
16	SS6151412TP	SCREW 15/64-28 L=14				1
17	SS6681712TP	SCREW 9/32-28 L=16.5				1
18	SS9661230CP	SCREW 1/4-40 L=12				1
19	SS8660610TP	SCREW 1/4-40 L=6				1
20	CS147121ASH	THRUST COLLAR ASM.D=14.72 W=12				1
21	G1216870000	UPPER SHAFT REAR BEARING				1
22	SM8060612TP	SCREW M6 L=6				2
23	SM8061612TP	SCREW M6X16				2
24	RO154240100	RUBBER RING				1
25	14402507	MOTOR INSTALLING BRACKET				1
26	SS2110920TP	SCREW 11/64-40 L=8.5				4
27	SS6151220SP	SCREW 15/64-28 L=11.5				2
28	SM6052502TP	SCREW M5X0.8 L=25				4
29	WP0531000SD	WASHER M5				4
30	WS0510002KP	SPRING WASHER 5.1X9.2X1.3				4
31	GAF01007000	SPRING				1
32	A1230500000A	HANDWHEEL SETSCREW				1
33	B1144210000	REVOLVING DIRECTION LABEL				1
34	B1212210D00	PULLEY				1

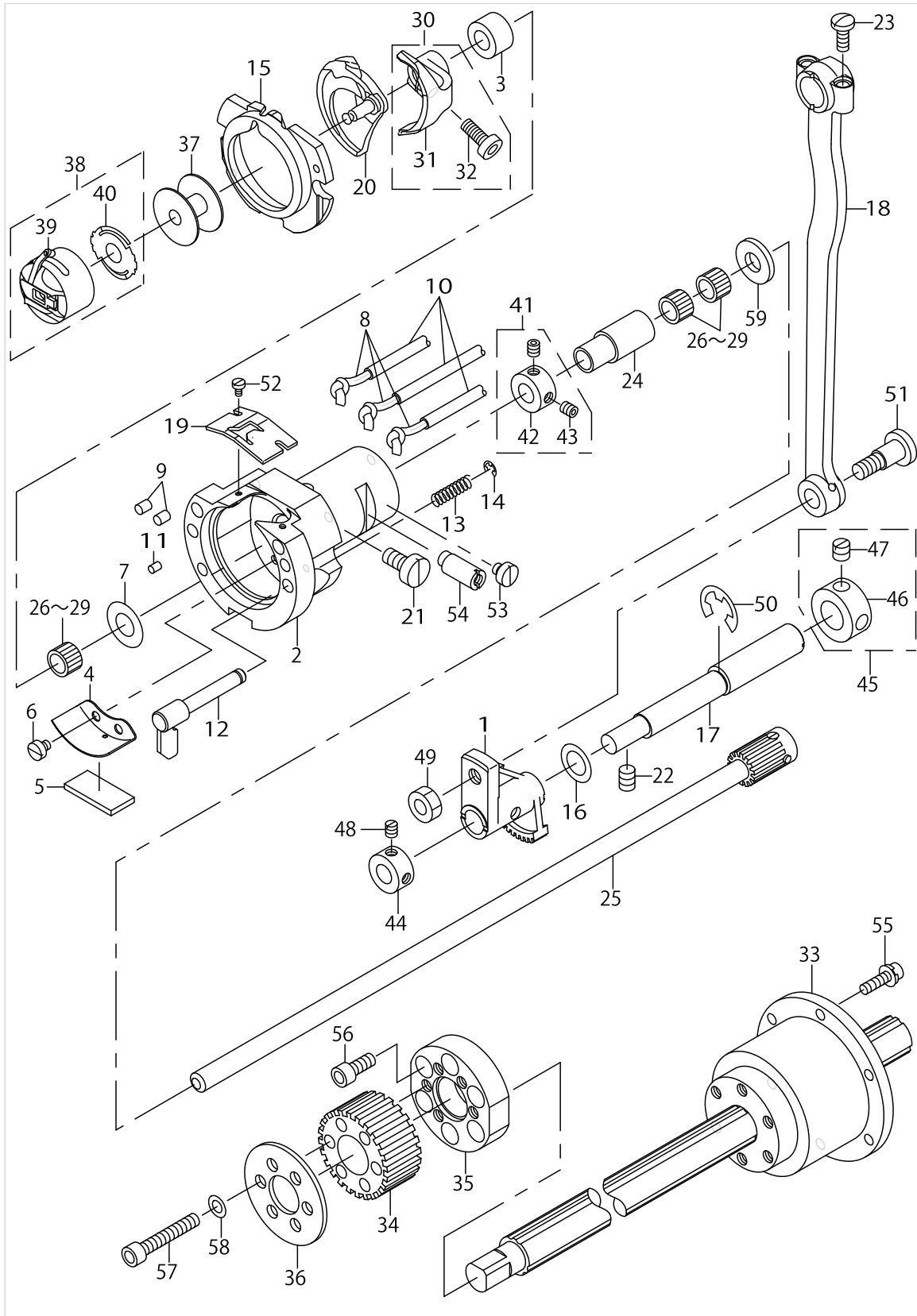
HOOK DRIVING SHAFT COMPONENTS



HOOK DRIVING SHAFT COMPONENTS

No.	Parts No.	Parts name	Remarks	Level	Cons	Qty
1	14103402	OSCILLATOR				1
2	B1814210D00	SHUTTLE				1
3	B1813980000	SHUTTLE NEEDLE OUTER RING				1
4	26231100	SHUTTLE LUBRICATING PLATE				1
5	B3504280000	SHUTTLE FELT				1
6	SS6090440SP	SCREW 9/64-40 L= 4.0				2
7	WP0952616SD	WASHER 9.5X14.8X2.6				1
8	CQ252200000	OIL WICK				1.6
9	B1820210D00	SHUTTLE OIL FELT,A				2
10	23630007	TUBE				1
11	B1821210D00	SHUTTLE OIL FELT,B				1
12	B1820215PA0A	INNER HOOK PRESSER ASM.				2
13	B1822215P00	INNER HOOK PRESSER SPRING				2
14	RE0300000K0	E-RING 3				2
15	14103659	SHUTTLE RACE RING ASM.,C				1
16	10523504	WASHER				1
17	B1836210D00	OSCILLATING ECCENTRIC SHAFT				1
18	B1802210D00	CRANK ROD				1
19	B1815210000	INNER HOOK UPPER SPRING				1
20	B1818210D0B	SHUTTLE,H				1
21	SS6151220SP	SCREW 15/64-28 L=11.5				1
22	SS8150822TP	SCREW 15/64-28 L=8				2
23	SS7111110TP	SCREW 11/64-40 L=10.5				2
24	13508403	LOWER SHAFT REAR METAL				1
25	14407951	LOWER SHAFT GEAR COMPL.				1
26	B1411804A00	BEARING (A)	SELECTIVE PARTS			3
27	B1411804B00	NEEDLE DRIVING LEVER BEARING B	SELECTIVE PARTS			3
28	B1411804C00	NEEDLE DRIVING LEVER BEARING C	SELECTIVE PARTS			3
29	B1411804D00	BEARING (D)	SELECTIVE PARTS			3
30	40062404	SHUTTLE_DRIVER_ASM				1
31	14405005	SHUTTLE DRIVER		*		1
32	SS6121212TP	SCREW 3/16-28 L=12.0		*		1
33	14407506	ROTARY BOLL SPLINE				1
34	14407605	FOLLOWER SPROCKET				1
35	14407704	SPROCKET BASE				1
36	14407803	BELT GUIDE				1
37	B1806210D00	BOBBIN				1
38	B1828210DAA	BOBBIN CASE ASM.				1
39	B1828210D0A	BOBBIN CASE		*		1
40	B1808210D00	SPRING		*		1
41	CS080081CSH	THRUST COLLAR ASM. D=8.0 W=8				1
42	CS0800816SH	THRUST HOLDER D=8 W=8		*		1
43	SS8110520TP	SCREW 11/64-40 L= 4.5		*		2
44	CS1000811SP	THRUST COLLAR				1
45	CS1201010SH	THRUST COLLAR ASM. D=12 W=10				1
46	CS1201011SH	THRUST COLLAR D=12 W=10		*		1
47	SS8660610TP	SCREW 1/4-40 L=6		*		2

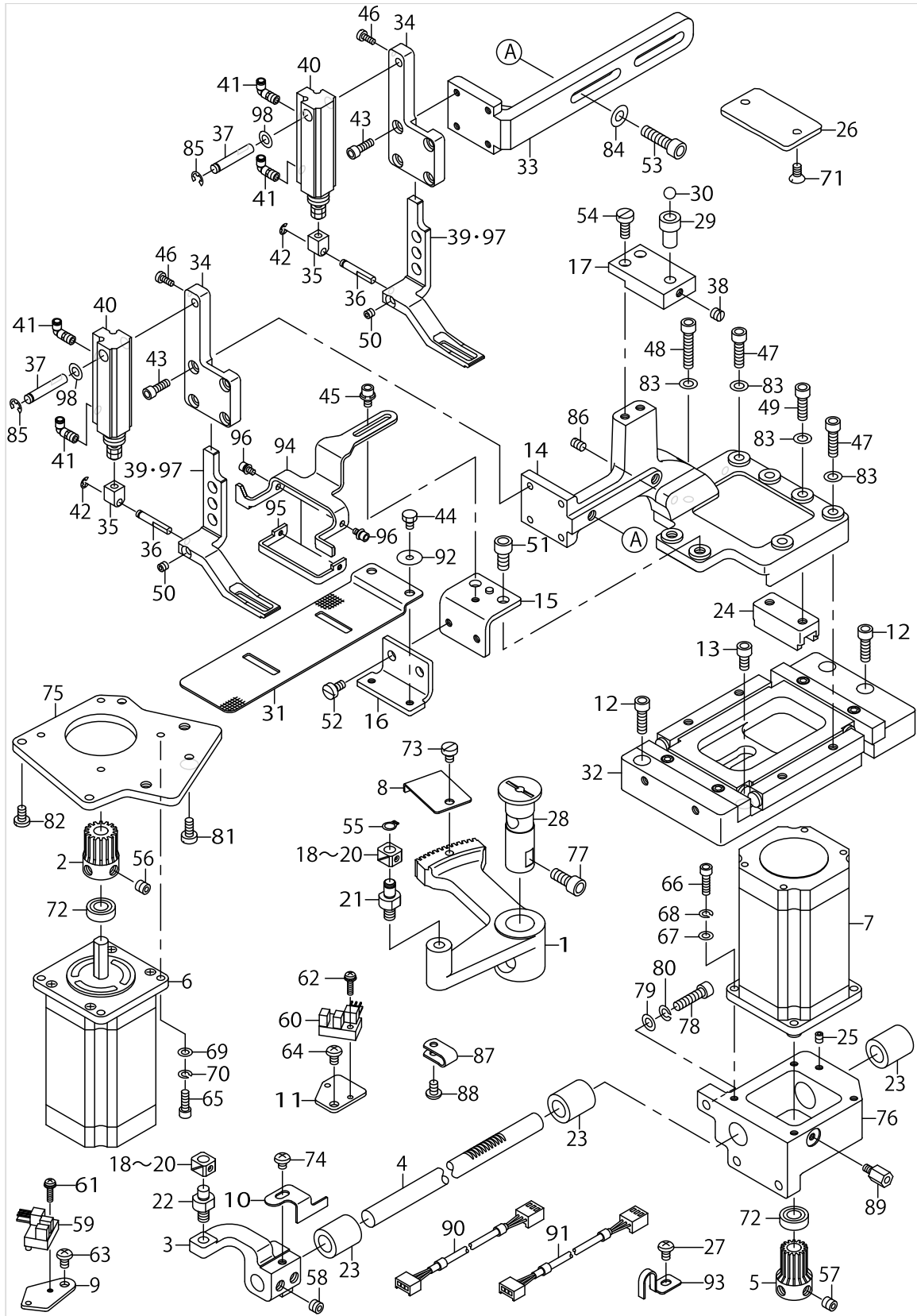
HOOK DRIVING SHAFT COMPONENTS



HOOK DRIVING SHAFT COMPONENTS

No.	Parts No.	Parts name	Remarks	Level	Cons	Qty
48	SS8110520TP	SCREW 11/64-40 L= 4.5				2
49	NS6660430SP	NUT 1/4-40				1
50	RE0900000K0	E-RING 9				1
51	SD0801021TP	HINGE SCREW D= 8 H=10.2				1
52	SS6060410TP	SCREW 3/32-56 L= 3.5				2
53	SS6110480SP	SCREW 11/64-40 L=4.3				1
54	26222208	SHUTTLE RACE ADJUSTING SHAFT				1
55	SL6041492TN	SCREW				6
56	SM6051202TP	SCREW M5X0.8 L=12				6
57	SM6053502TP	BOLT				6
58	WS0510002KP	SPRING WASHER 5.1X9.2X1.3				6
59	B1808980000	LOWER SHAFT THRUST WASHER				1

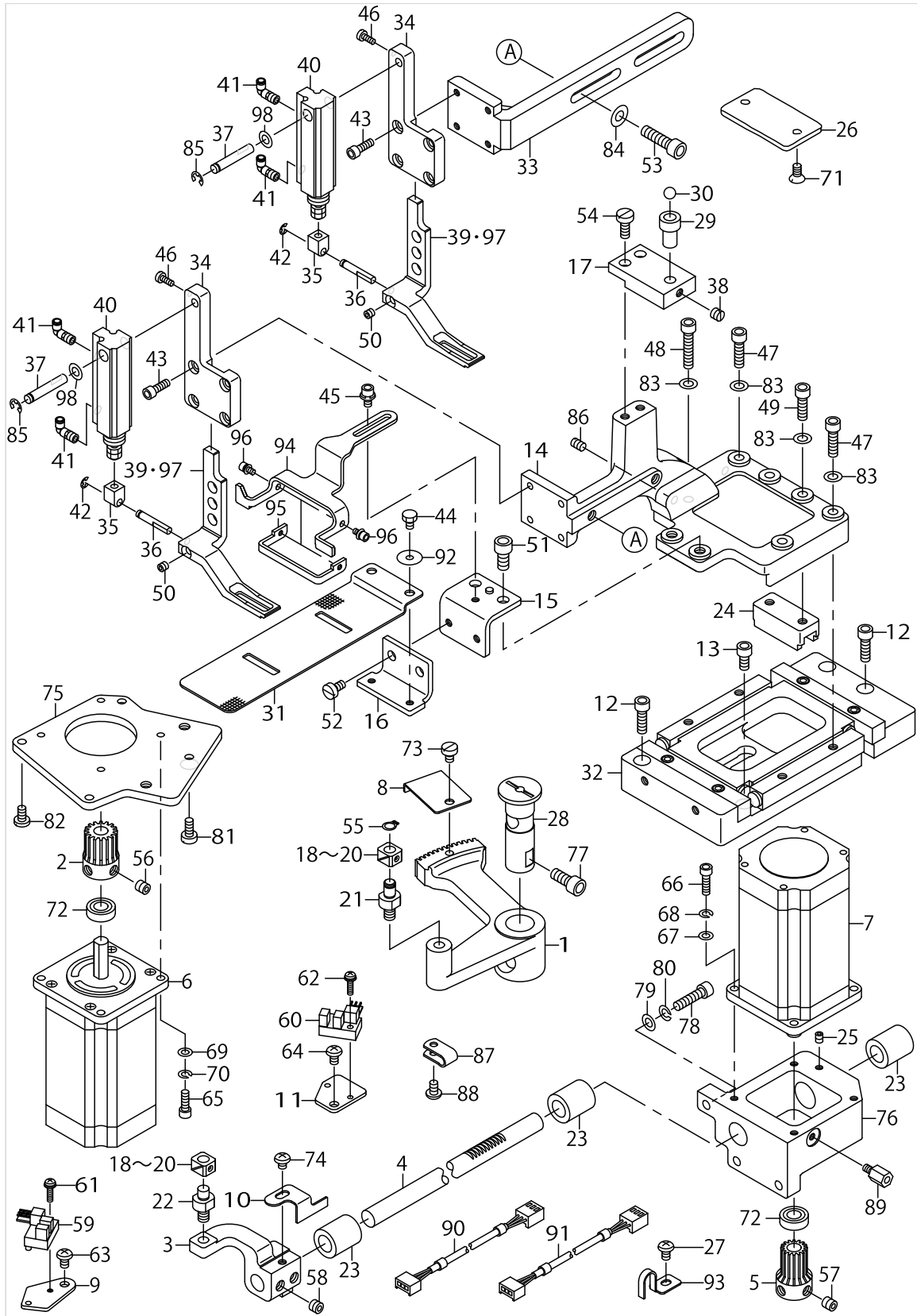
FEED MECHANISM COMPONENTS



FEED MECHANISM COMPONENTS

No.	Parts No.	Parts name	Remarks	Level	Cons	Qty
1	14411201	CROSSFEED ARM				1
2	14411805	CROSSFEED GEAR				1
3	14411706	LENGTHWISE FEED ARM				1
4	14410401	LENGTHWISE FEED SHAFT				1
5	14110407	LENGTHWISE FEED GEAR				1
6	14410203	X FEED STEPPING MOTOR				1
7	14410104	Y FEED STEPPING MOTOR				1
8	14411409	CROSSFEED SENSOR SLIT				1
9	14411508	SENSOR INSTALLING BASE				1
10	14136402	LENGTHWISE FEED SENSOR SLIT				1
11	14111801	SENSOR INSTALLING BASE				1
12	SM6051602TP	SCREW M5X0.8 L=16				3
13	SM6051002TP	SCREW M5X0.8 L=10				1
14	14410708	CLOTH FEED BASE				1
15	14412209	CLOTH FEED PLATE BASE A				1
16	14412308	CLOTH FEED PLATE BASE B				1
17	13880505	BOLL HOLDING BASE				1
18	B1414232000	SQUARE BLOCK	SELECTIVE PARTS			2
19	B141423200A	CRANK SLIDE BLOCK	SELECTIVE PARTS			2
20	B141423200B	GUIDE ROLLER	SELECTIVE PARTS			2
21	14411904	CROSSFEED SUPPORT ARM				1
22	14412001	LENGTHWISE FEED SUPPORT ARM				1
23	B2509704000	BUSHING, REAR				2
24	14411607	LENGTHWISE FEED BASE				1
25	SM8040502TP	SCREW M4X0.7 L=5				1
26	13518907	SUPPORT PLATE				1
27	SS4110715SP	SCREW 11/64-40 L=7				1
28	14411300	FEED DRIVING ARM SHAFT				1
29	B2548280000	BALL RETAINER				1
30	B2549280000	WORK CLAMP FOOT MOUNTING BASE				7
31	13880406	CLOTH PRESSER LOWER PLATE				1
32	14411102	X-Y TABLE				1
33	14410807	FRONT PRESSER FOOT BASE				1
34	14410906	CLOTH PRESSER BASE COVER				2
35	13880604	WASHER				2
36	13880703	CYLINDER PIN				2
37	14411003	CLOTH PRESSER CYLINDER SHAFT				2
38	SS8120740SP	SCREW 3/16-28 L=7				1
39	13875612	CLOTH PRESSER FOOT				2
40	PA1002507A0	AIR CYLINDER				2
41	PJ304040504	ELBOW UNION				4
42	RE0300000K0	E-RING 3				2
43	SM6041202TN	SCREW M4X0.7 L=12				8
44	SM9040603SC	SCREW M4 L=6				2
45	SL6040892TN	BOLT				1
46	SM6030860SP	SCREW				2
47	SM6051802TP	SCREW M5 L=18				3

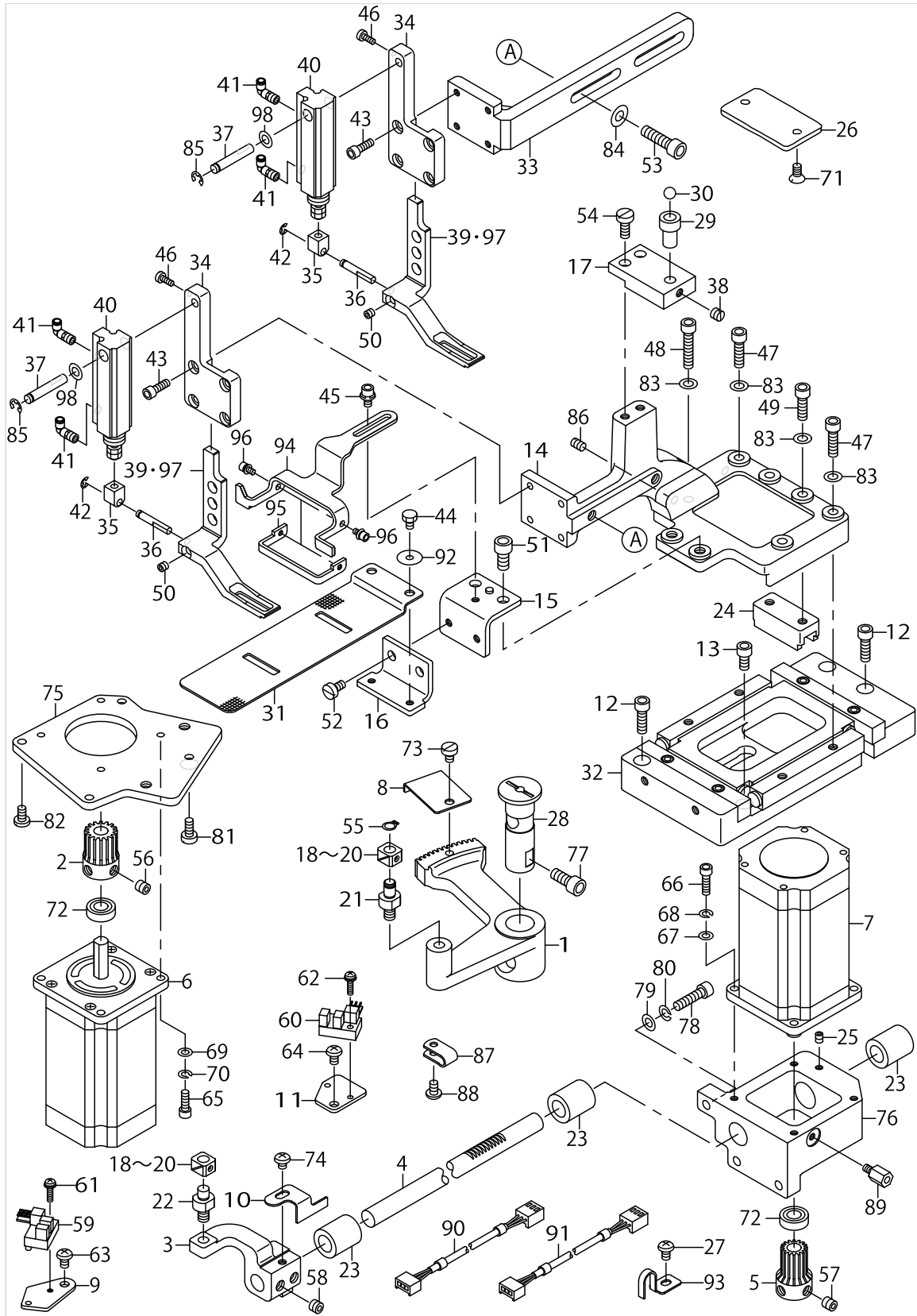
FEED MECHANISM COMPONENTS



FEED MECHANISM COMPONENTS

No.	Parts No.	Parts name	Remarks	Level	Cons	Qty
48	SM6052502TP	SCREW M5X0.8 L=25				1
49	SM6051602TP	SCREW M5X0.8 L=16				2
50	SS8110422TP	SCREW 11/64-40 L=4				2
51	SM6061202TN	BOLT				2
52	SS6110810TP	SCREW 11/64-40 L=8				2
53	SS6152212SP	SCREW 15/64-28 L=22.0				2
54	SS6121210SP	SCREW 3/16-28 L=12				2
55	RC0560711KP	RETAINING RING				1
56	SM8060602TP	SCREW M6X6				2
57	SM8060602TP	SCREW M6X6				2
58	SS8660512TP	SCREW 1/4-40 L=5				2
59	HD00057000A	PHOTO SENSOR				1
60	HD00057000A	PHOTO SENSOR				1
61	SL4031291SC	SCREW M3X12				1
62	SL4031291SC	SCREW M3X12				1
63	SS4110715SP	SCREW 11/64-40 L=7				1
64	SS4110715SP	SCREW 11/64-40 L=7				1
65	SM6041202TP	SCREW M4X0.7 L=12				4
66	SM6041202TP	SCREW M4X0.7 L=12				3
67	WP0430800SD	WASHER M4				3
68	WS0410002KP	SPRING WASHER				3
69	WP0430800SD	WASHER M4				4
70	WS0410002KP	SPRING WASHER				4
71	SS2110920TP	SCREW 11/64-40 L=8.5				2
72	SB408000100	BEARING				2
73	SS6110610TP	SCREW 11/64-40 L=6				1
74	SS4110515SP	SCREW 11/64-40 L=5				1
75	14410005	X MOTOR INSTALLING BASE				1
76	14410302	Y MOTOR INSTALLING BASE				1
77	SS6151412TP	SCREW 15/64-28 L=14				1
78	SM6052002TP	SCREW M5 L=20				3
79	WP0531000SD	WASHER M5				3
80	WS0510002KP	SPRING WASHER 5.1X9.2X1.3				3
81	SS6111010TP	SCREW 11/64-40 L= 9.5				2
82	SS7110840SP	SCREW 11/64-40 L=7.8				2
83	WP0550800SP	WASHER 5.5X10X0.8				6
84	WP0621016SH	WASHER				2
85	RE0400000K0	E-RING 4				2
86	SS8120740SP	SCREW 3/16-28 L=7				2
87	HX00150000F	CABLE CLIP				1
88	SS4110715SP	SCREW 11/64-40 L=7				1
89	HX003390000	STUD				1
90	14410658	X SENSOR CABLE ASM.				1
91	14410559	Y SENSOR CABLE ASM.				1
92	22913503	WASHER				2
93	B3523980000	OIL WICK PIPE STOPPER				1
94	G5560254000	CLOTH FEED PLATE GUIDE				1

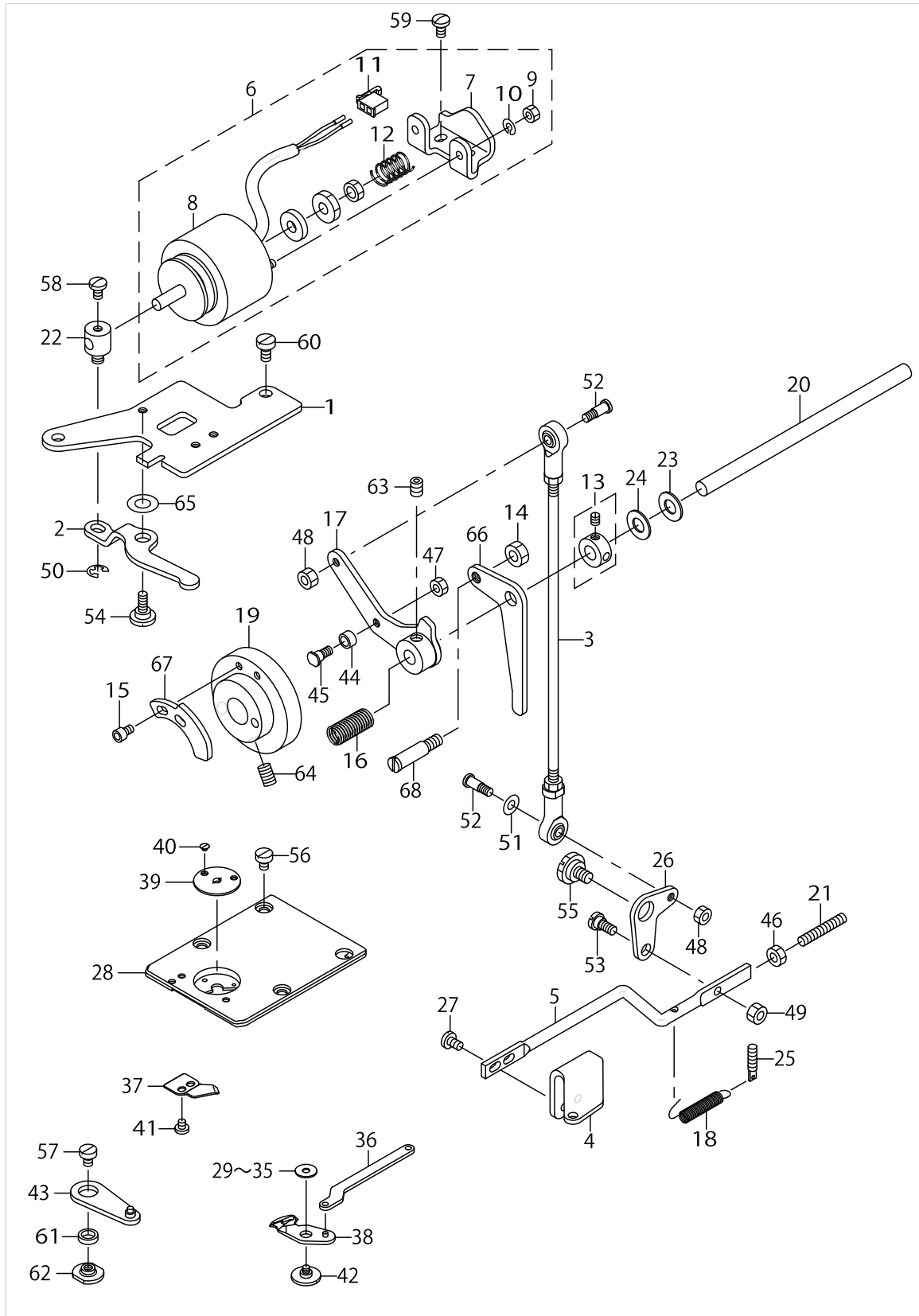
FEED MECHANISM COMPONENTS



FEED MECHANISM COMPONENTS

No.	Parts No.	Parts name	Remarks	Level	Cons	Qty
95	G5561254000	SUPPORT GUIDE				1
96	SL6030692TN	BOLT				2
97	13877816	PRESSER FOOT(FOR FULLNESS)				2
98	WP0531000SC	WASHER 5.3X10X1				2

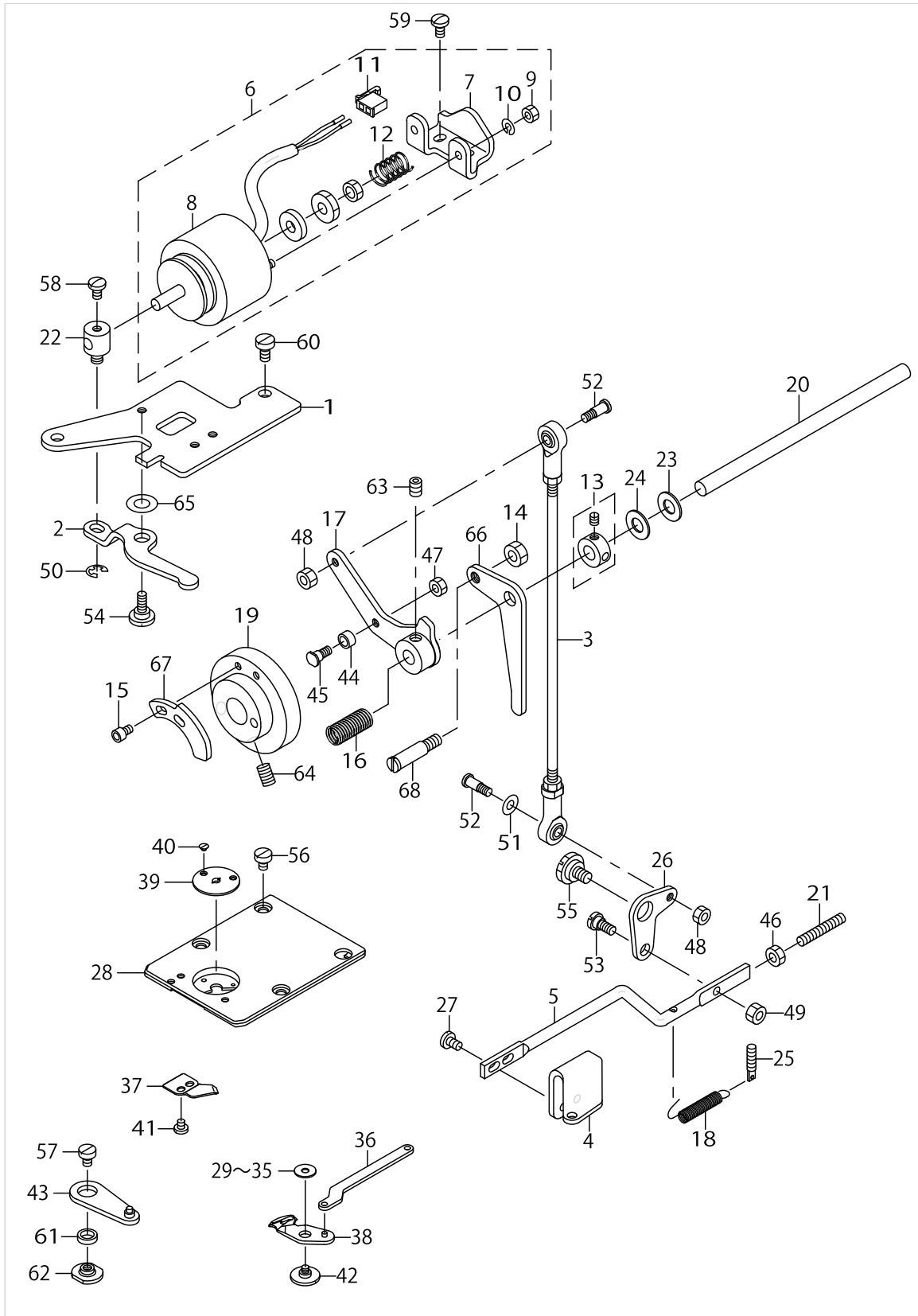
TENSION RELEASE & THEREAD TRIMMER MECHANISM COMPONENTS



TENSION RELEASE & THERAD TRIMMER MECHANISM COMPONENTS

No.	Parts No.	Parts name	Remarks	Level	Cons	Qty
1	26501205	CAM FOLLOWER STOPPER				1
2	14108500	SOLENOID ARM				1
3	14108609	CONNECTING ROD				1
4	14412902	CONNECTION PLATE A				1
5	14413009	CONNECTION PLATE B				1
6	40104895	THREAD TRIMMER SOLENOID ASM.				1
7	14108807	SOLENOID INSTALLING BASE		*		1
8	40104889	THREAD TRIMMER SOLENOID		*		1
9	NM6040001SE	NUT M4		*		2
10	WS0410002KR	SPRING WASHER, M4		*		2
11	HK034610020	2-POLE NYLON PLUG		*		1
12	13216601	PUSH BUTTON SPRING		*		1
13	CS080081CSH	THRUST COLLAR ASM. D=8.0 W=8				1
14	NS6150310SP	NUT 15/64-28				1
15	SM6040602TP	SCREW M4 L=6				2
16	B2617771000	TRIPPING LEVER TENSION SPRING				1
17	14109250	CAM FOLLOWER ASM.				1
18	14109300	THREAD TRIM LINK SPRING				1
19	B2401210D00	THREAD TRIMMER CAM				1
20	B2408210D00	THREAD TRIMMER SHAFT				1
21	SM8053002TP	SCREW M5 L=30				1
22	11043007	SOLENOID PIN				1
23	B1223771000	NEEDLE ROD CRANK WASHER				1
24	B1116804000	CLOTH PLATE WASHER				1
25	B1649161000	TENSION SPRING ADJUSTING SCREW				1
26	14412803	THREAD CUTTING LINK				1
27	SS7110740TP	SCREW 11/64-40 L=7				2
28	14412506	NEEDLE PLATE				1
29	B242328000A	MOVING KNIFE WASHER A	SELECTIVE PARTS			1
30	B242328000B	MOVING KNIFE WASHER B	SELECTIVE PARTS			1
31	B242328000C	MOVING KNIFE WASHER C	SELECTIVE PARTS			1
32	B242328000D	MOVING KNIFE WASHER D	SELECTIVE PARTS			1
33	B242328000E	MOVING KNIFE WASHER E	SELECTIVE PARTS			1
34	B242328000F	MOVING KNIFE WASHER F	SELECTIVE PARTS			1
35	B242328000G	MOVING KNIFE WASHER G	SELECTIVE PARTS			1
36	13882105	MOVING KNIFE LINK				1
37	B2424210000	COUNTER KNIFE				1
38	13881255	MOVING KNIFE JUNCTION				1
39	13882501	NEEDLE HOLE GUIDE				1
40	SS1060210TP	SCREW 3/32-56 L=2.2				2
41	SS7090410SP	SCREW 9/64-40 L= 3.5				2
42	B2417210000	MOVING KNIFE HINGE SCREW				1
43	14412654	THREAD CUTTING LEVER COMPL.				1
44	D2587L8WB00	ROLLER				1
45	D2588L8WB00	ROLLER SHAFT				1
46	NM6050001SP	NUT M5				1
47	NS6110420SP	NUT 11/64-40				1

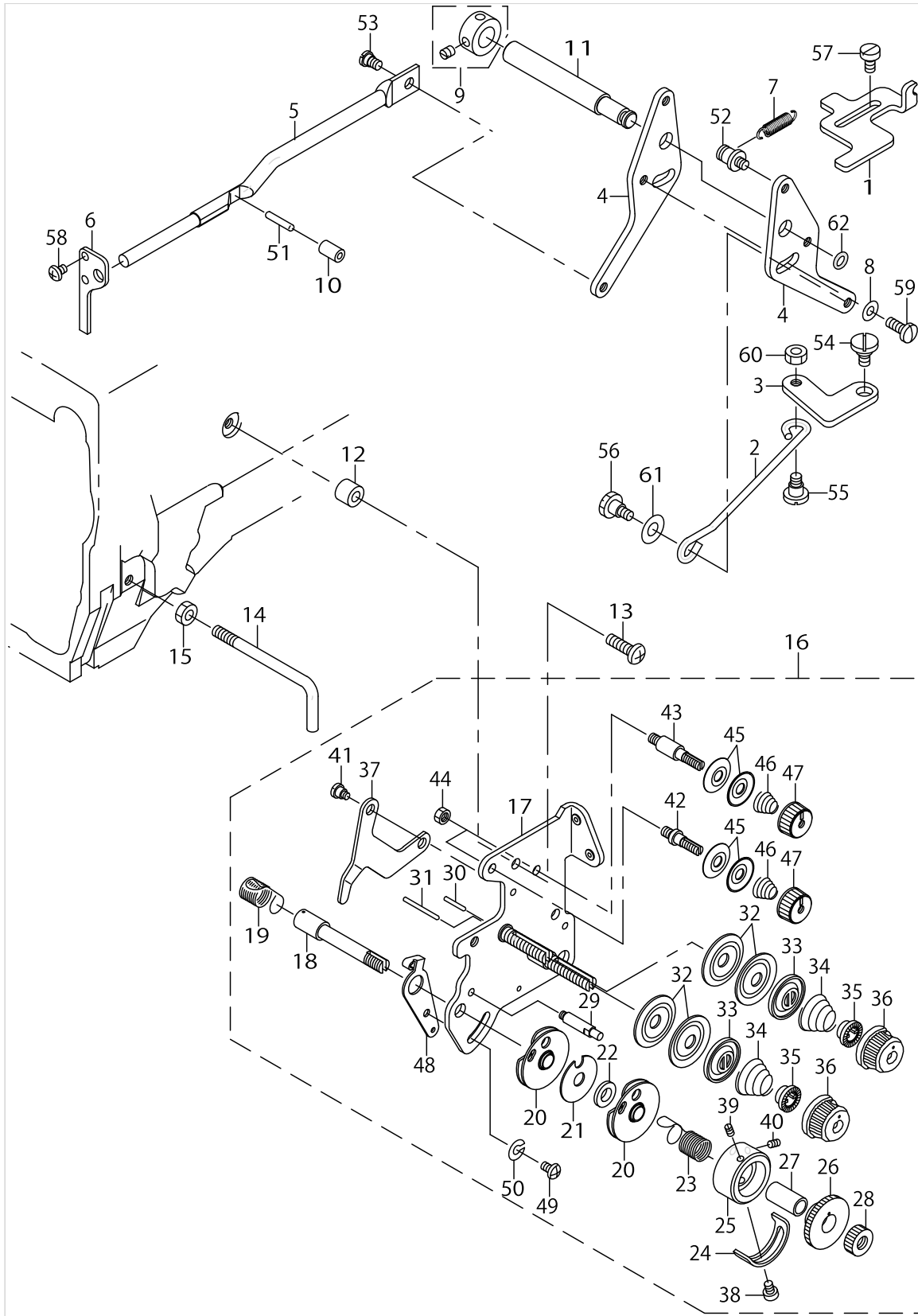
TENSION RELEASE & THEREAD TRIMMER MECHANISM COMPONENTS



TENSION RELEASE & THEREAD TRIMMER MECHANISM COMPONENTS

No.	Parts No.	Parts name	Remarks	Level	Cons	Qty
48	NS6110420SP	NUT 11/64-40				2
49	NS6120310SP	NUT 3/16-28				1
50	RE0500000K0	E-RING				1
51	WP0501016SD	WASHER 5X10.5X1				1
52	SD0500803TP	HINGE SCREW D=5 H=8				2
53	SD0650305TP	HINGE SCREW D= 6.5 H= 3				1
54	SD0790311TP	HINGE SCREW D= 7.94 H= 3.1				1
55	SD1100301TP	HINGE SCREW H=11 W=3				1
56	SS6110610TP	SCREW 11/64-40 L=6				4
57	SS6110640SP	SCREW 11/64-40 L=6				1
58	SS7110710SP	SCREW 11/64-40 L=7				1
59	SS7110840SP	SCREW 11/64-40 L=7.8				2
60	SS6120930SP	SCREW 3/16-28 L=9				2
61	13881909	THREAD CUTTING LINK ROLLER				1
62	13882006	THREAD CUTTING LEVER SHAFT				1
63	SS8150822TP	SCREW 15/64-28 L=8				1
64	SS8661012TP	SCREW				2
65	WP0553216SD	WASHER				1
66	14107601	THREAD RELEASE ARM				1
67	B2312210D00	TENSION RELEASE NOTCH				1
68	14107809	TENSION RELEASE ARM PIN				1

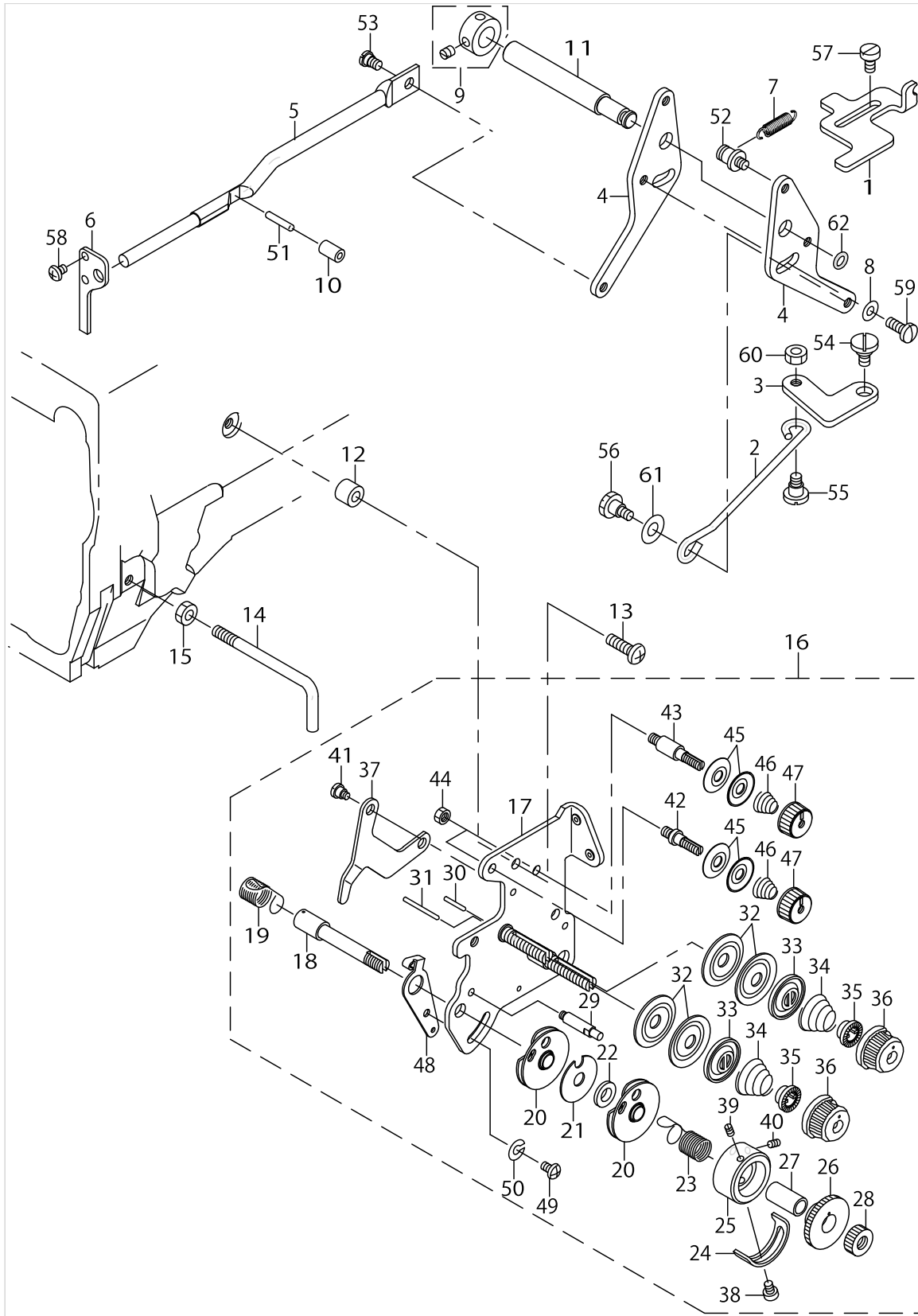
THREAD TENSION & DISK RISING COMPONENTS



THREAD TENSION & DISK RISING COMPONENTS

No.	Parts No.	Parts name	Remarks	Level	Cons	Qty
1	14107502	STOPPER				1
2	14107700	CONNECTING BAR				1
3	B2304210D00	TENSION RELEASE LINK				1
4	26500900	TENSION RELEASE ADJUSTING ARM				2
5	14413512	DISK RISING ROD				1
6	13513304	THREAD TENSION ARM				1
7	B2545280000	PRESSURE SPRING				1
8	WP0482086SD	WASHER 4.8X11.5X2				1
9	CS100081ASP	THRUST COLLAR ASM.				1
10	14413603	DISK RISING COLLAR				1
11	26500405	CONNECTING SHAFT				1
12	11315108	COLLAR				2
13	SS4121615SP	SCREW 3/16-28 L=16				2
14	13883905	L-TYPE THREAD GUIDE				1
15	NS6120310SP	NUT 3/16-28				1
16	14413165	THREAD TENSION ASM.				1
17	14413157	THREAD TENSION PLATE COMPL.		*		1
18	10697605	THREAD TAKE-UP SPRING STUD		*		1
19	14413306	TAKE-UP SPRING SPRING A		*		1
20	B31375270A0	TAKE-UP SPRING GUIDE ASM.		*		2
21	B3142527000	TAKE-UP SPRING GUIDE PLATE		*		1
22	B3139527000	COLLAR		*		1
23	14413405	TAKE-UP SPRING SPRING B		*		1
24	B3138527000	ADJUSTING PLATE B		*		1
25	22617609	THREAD TENSION POST		*		1
26	22617708	TAKE-UP SPRING GUIDE		*		1
27	B3141527000	PRESSER COLLAR		*		1
28	22617807	NUT		*		1
29	B3143527000	TAKE-UP SPRING GUIDE STUD		*		1
30	22618201	TENSION RELEASE PIN, A		*		1
31	22618300	TENSION RELEASE PIN, B		*		1
32	B3126012000	THREAD TENSION DISK		*		4
33	22617906	THREAD TENSION DISK PRESSER		*		2
34	B3129012A00	TENSION SPRING		*		2
35	B3112704000	TENSION SPRING BUSHING		*		2
36	11956802	THREAD TENSION KNOB, BLUE		*		2
37	22618102	TENSION RELEASE LEVER		*		1
38	SS7090510SP	SCREW 9/64-40 L= 4.6		*		1
39	22618904	SET SCREW		*		1
40	22618904	SET SCREW		*		1
41	SD0470281SP	HINGE SCREW D=4.7 H=2.8		*		2
42	10124204	THREAD TENSION POST, A		*		1
43	10124303	THREAD TENSION POST, B		*		1
44	NS6110310SP	NUT 11/64-40		*		2
45	10741106	FIRST THREAD TENSION PLATE		*		4
46	11093606	THREAD TENSION SPRING		*		2
47	11072402	THREAD TENSION NUT		*		2

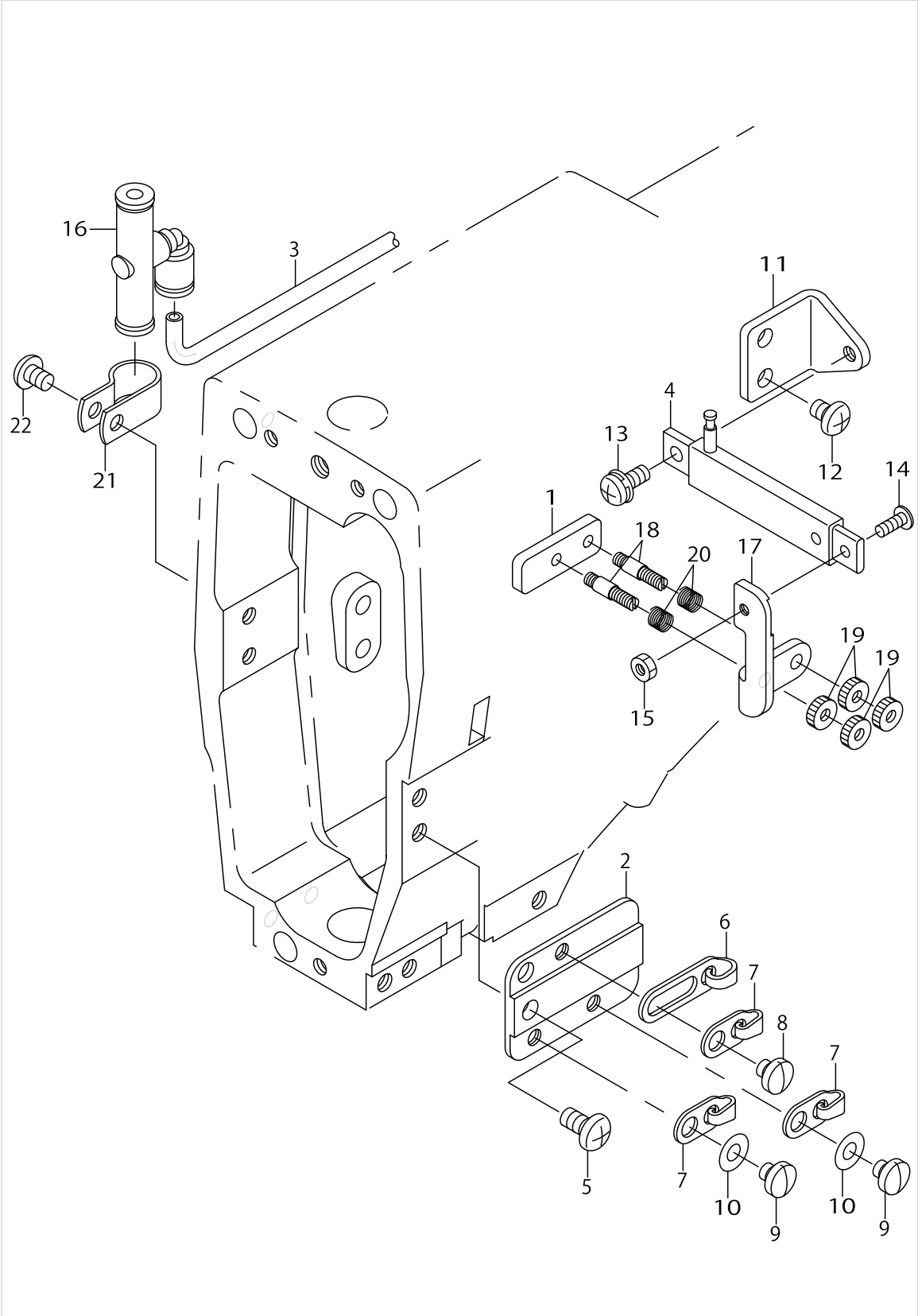
THREAD TENSION & DISK RISING COMPONENTS



THREAD TENSION & DISK RISING COMPONENTS

No.	Parts No.	Parts name	Remarks	Level	Cons	Qty
48	14413207	ADJUSTING PLATE A		*		1
49	SS4090615SP	SCREW 9/64-40 L=6		*		1
50	WP0450801SD	WASHER 4.5X10X0.8		*		1
51	14414106	DISK RISING PIN				1
52	B3413552000	SUSPENSION SCREW				1
53	SD0530221SP	HINGE SCREW D= 5.3 H= 2.2				1
54	SD0720321TP	HINGE SCREW				1
55	SD0640391TP	HINGE SCREW D= 6.35 H= 3.9				1
56	SD0640482SP	HINGE SCREW D= 6.35 H= 4.8				1
57	SS6110810TP	SCREW 11/64-40 L=8				2
58	SS4090515SP	SCREW 9/64-40 L=5				2
59	SS7111120SP	SCREW 11/64-40 L=10.5				1
60	NS6120310SP	NUT 3/16-28				1
61	WP0651056SD	WASHER 6.5X11X1				1
62	RO048190100	RUBBER RING				1

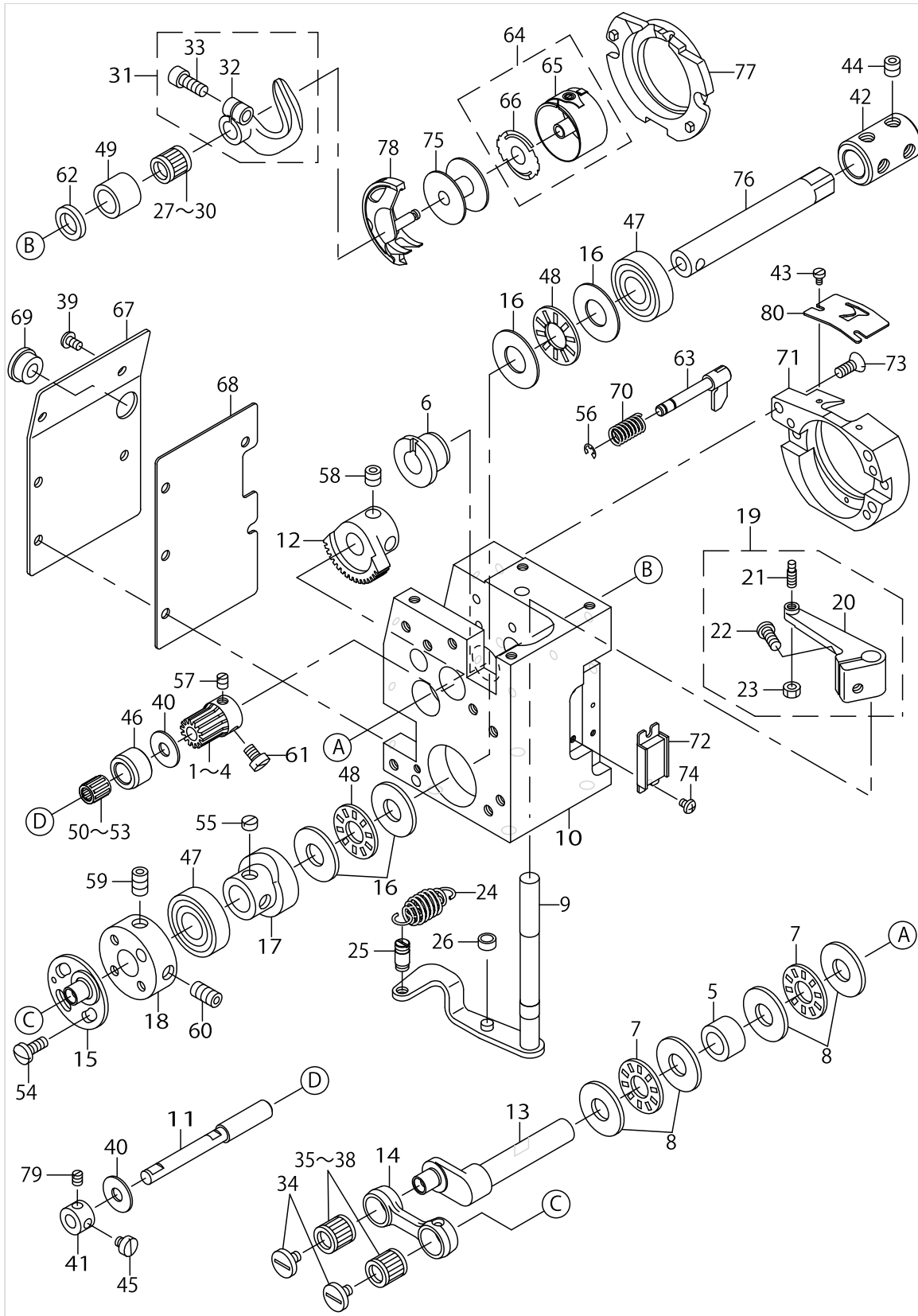
THREAD PRESSER COMPONENTS



THREAD PRESSER COMPONENTS

No.	Parts No.	Parts name	Remarks	Level	Cons	Qty
1	14414007	THREAD PRESSER				1
2	14413702	THREAD PRESSER FITTING PLATE				1
3	BT0400251EB	URETHANE HOSE, BLACK				0.1
4	PA060101500	AIR CYLINDER				1
5	SS4120915SP	SCREW 3/16-28 L=9				2
6	13870902	BALANCE THREAD GUIDE, C				1
7	13922208	TAKE-UP THREAD GUIDE B				3
8	SS7110350SP	SCREW 11/64-40 L=3.5				1
9	SS7110350SP	SCREW 11/64-40 L=3.5				2
10	WP0450801SP	WASHER				2
11	14413900	CYLINDER INSTALLING PLATE				1
12	SS4110615SP	SCREW 11/64-40 L=6				2
13	SL4041091SC	SCREW M4 L=10				1
14	SM0030801SC	SCREW M3 X 8				1
15	NM6030001SC	NUT M3				1
16	PV010014000	QUICK EXHAUST VALVE				1
17	14413801	THREAD PRESSER PLATE LINK				1
18	25002809	THREAD TENSION STUD				2
19	25002908	THREAD TENSION NUT				4
20	B1136850000	TENSION SPRING B				2
21	HX00150000D	CABLE CLIP				1
22	SS4110615SP	SCREW 11/64-40 L=6				1

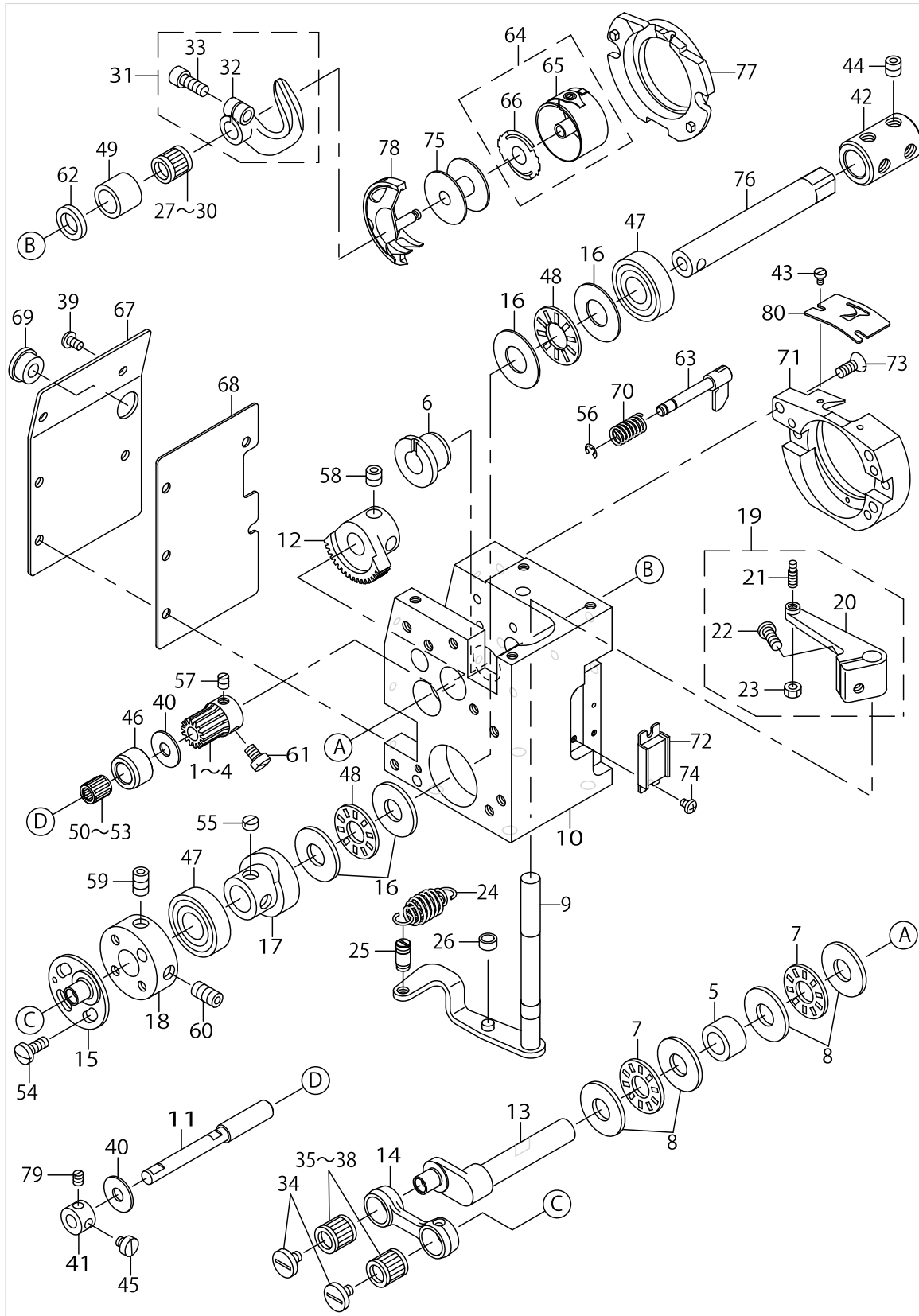
HOOK BASE COMPONENTS(1)



HOOK BASE COMPONENTS(1)

No.	Parts No.	Parts name	Remarks	Level	Cons	Qty
1	14418305	LOWER SHAFT GEAR A	SELECTIVE PARTS			1
2	14418404	LOWER SHAFT GEAR B	SELECTIVE PARTS			1
3	14418503	LOWER SHAFT GEAR C	SELECTIVE PARTS			1
4	14418602	LOWER SHAFT GEAR D	SELECTIVE PARTS			1
5	13879606	HOOK CRANK METAL B				1
6	13885306	METAL				1
7	11272408	THRUST COLLAR				2
8	16992604	THRUST WASHER				4
9	13885454	THREAD CUTTING LEVER ASM.				1
10	14417802	HOOK BASE				1
11	14418206	LOWER SHAFT B				1
12	14418107	HOOK BASE CRANK GEAR				1
13	14417901	HOOK BASE CRANK				1
14	14418008	HOOK BASE CRANK ROD				1
15	14419501	REMOVING SHAFT CRANK				1
16	13887005	THRUST WASHER				4
17	13887104	THREAD CUTTING CAM, B				1
18	13887203	REMOVING SHAFT CRANK BASE				1
19	13887450	THREAD CUTTING ARM ASM.				1
20	13887401	THREAD CUTTING ARM		*		1
21	13874300	THREAD CUTTING ARM PIN		*		1
22	SS7111120TP	SCREW		*		1
23	NS6090310SP	NUT 9/64-40		*		1
24	14420004	SPRING				1
25	14420103	SPRING RACK A				1
26	11041100	ROLLER				1
27	B1411804A00	BEARING (A)	SELECTIVE PARTS			1
28	B1411804B00	NEEDLE DRIVING LEVER BEARING B	SELECTIVE PARTS			1
29	B1411804C00	NEEDLE DRIVING LEVER BEARING C	SELECTIVE PARTS			1
30	B1411804D00	BEARING (D)	SELECTIVE PARTS			1
31	40062404	SHUTTLE_DRIVER_ASM				1
32	14405005	SHUTTLE DRIVER		*		1
33	SS6121212TP	SCREW 3/16-28 L=12.0		*		1
34	B1903552000	LEFT SCREW				2
35	B1905541A00	NEEDLE BEARING, A	SELECTIVE PARTS			2
36	B1905541B00	NEEDLE BEARING	SELECTIVE PARTS			2
37	B1905541C00	NEEDLE BEARING	SELECTIVE PARTS			2
38	B1905541D00	NEEDLE BEARING	SELECTIVE PARTS			2
39	SS5090610SP	SCREW 9/64-40 L=6				5
40	14418800	B METAL THRUST HOLDER PLATE				2
41	B2579229000	CYLINDER SHAFT THRUST HOLDER				1
42	14417604	CONNECTING COLLAR				1
43	SS6060410TP	SCREW 3/32-56 L= 3.5				2
44	SS8660612TP	SCREW 1/4-40 L=6				4
45	SS6110420TP	SCREW 11/64-40 L=4.8				1
46	14418701	LOWER SHAFT B METAL				1
47	SB112000200	BEARING				2

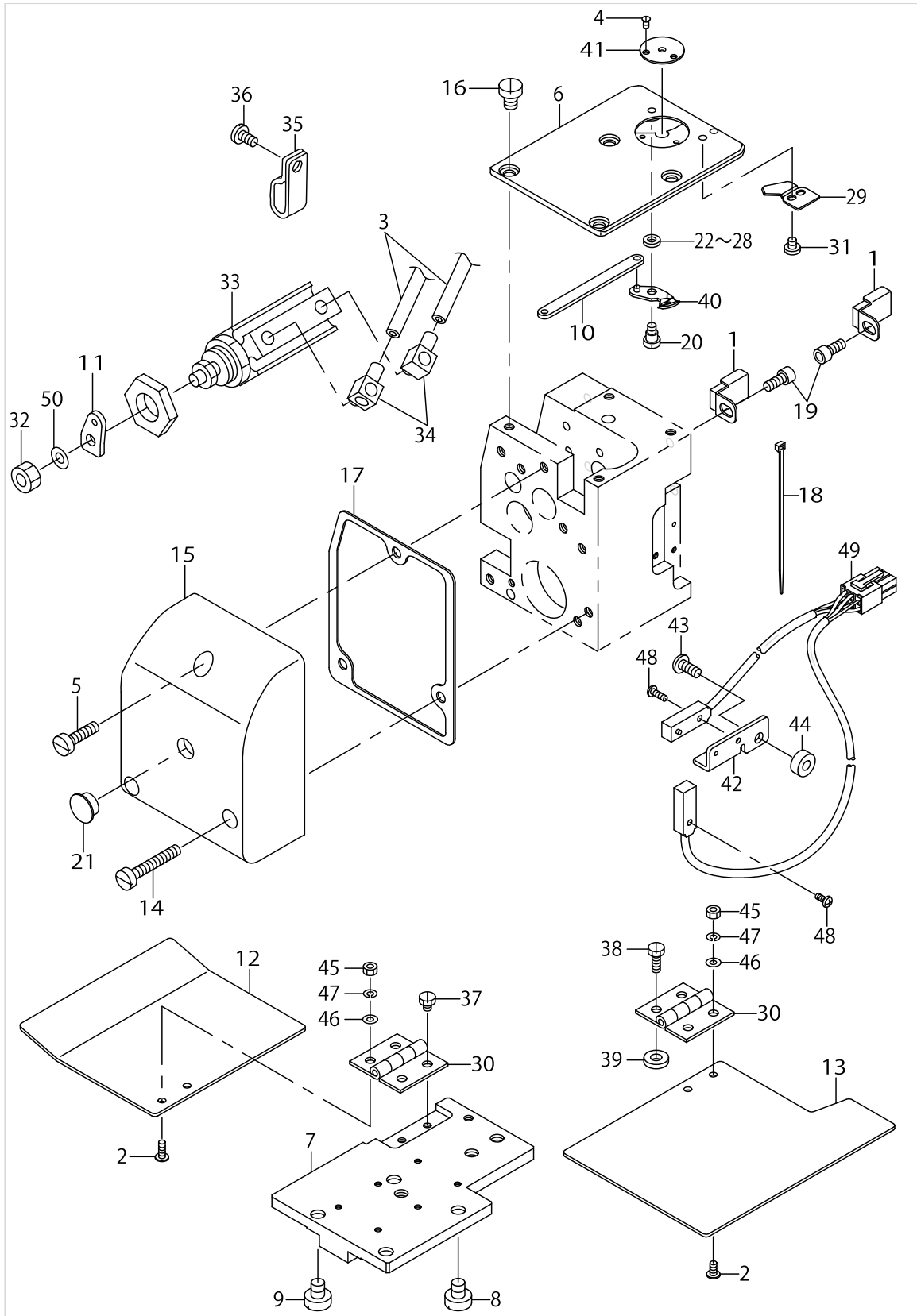
HOOK BASE COMPONENTS(1)



HOOK BASE COMPONENTS(1)

No.	Parts No.	Parts name	Remarks	Level	Cons	Qty
48	SB612000100	BEARING				2
49	B1813980000	SHUTTLE NEEDLE OUTER RING				1
50	SB30600070A	BEARING	SELECTIVE PARTS			1
51	SB30600070B	BEARING	SELECTIVE PARTS			1
52	SB30600070C	BEARING	SELECTIVE PARTS			1
53	SB30600070D	BEARING	SELECTIVE PARTS			1
54	SS7111120TP	SCREW				3
55	SS8660330SP	SCREW 1/4-40 L= 3.0				2
56	RE0300000K0	E-RING 3				2
57	SS8110520TP	SCREW 11/64-40 L= 4.5				1
58	SS8660612TP	SCREW 1/4-40 L=6				2
59	SS8661012TP	SCREW				1
60	SS8661212TP	SCREW				1
61	SS6110820TP	SCREW 11/64-40 L=8				1
62	WP0952616SD	WASHER 9.5X14.8X2.6				1
63	B1820215PA0A	INNER HOOK PRESSER ASM.				2
64	B1828210DAA	BOBBIN CASE ASM.				1
65	B1828210D0A	BOBBIN CASE		*		1
66	B1808210D00	SPRING		*		1
67	13887906	HOOK BASE COVER, LEFT				1
68	13886205	PACKING				1
69	TA1250406R0	RUBBER PLUG D=12.5 L=4				1
70	B1822215P00	INNER HOOK PRESSER SPRING				2
71	14418909	SHUTTLE B				1
72	13886106	HOOK COVER MAGNET, A				1
73	SS2111140SP	SCREW 11/64-40 L=11				3
74	SM4030455SN	SCREW				2
75	B1806210D00	BOBBIN				1
76	14417505	HOOK BASE INSTALLING SHAFT				1
77	14103659	SHUTTLE RACE RING ASM.,C				1
78	B1818210D0B	SHUTTLE,H				1
79	SS8110520TP	SCREW 11/64-40 L= 4.5				1
80	B1815210000	INNER HOOK UPPER SPRING				1

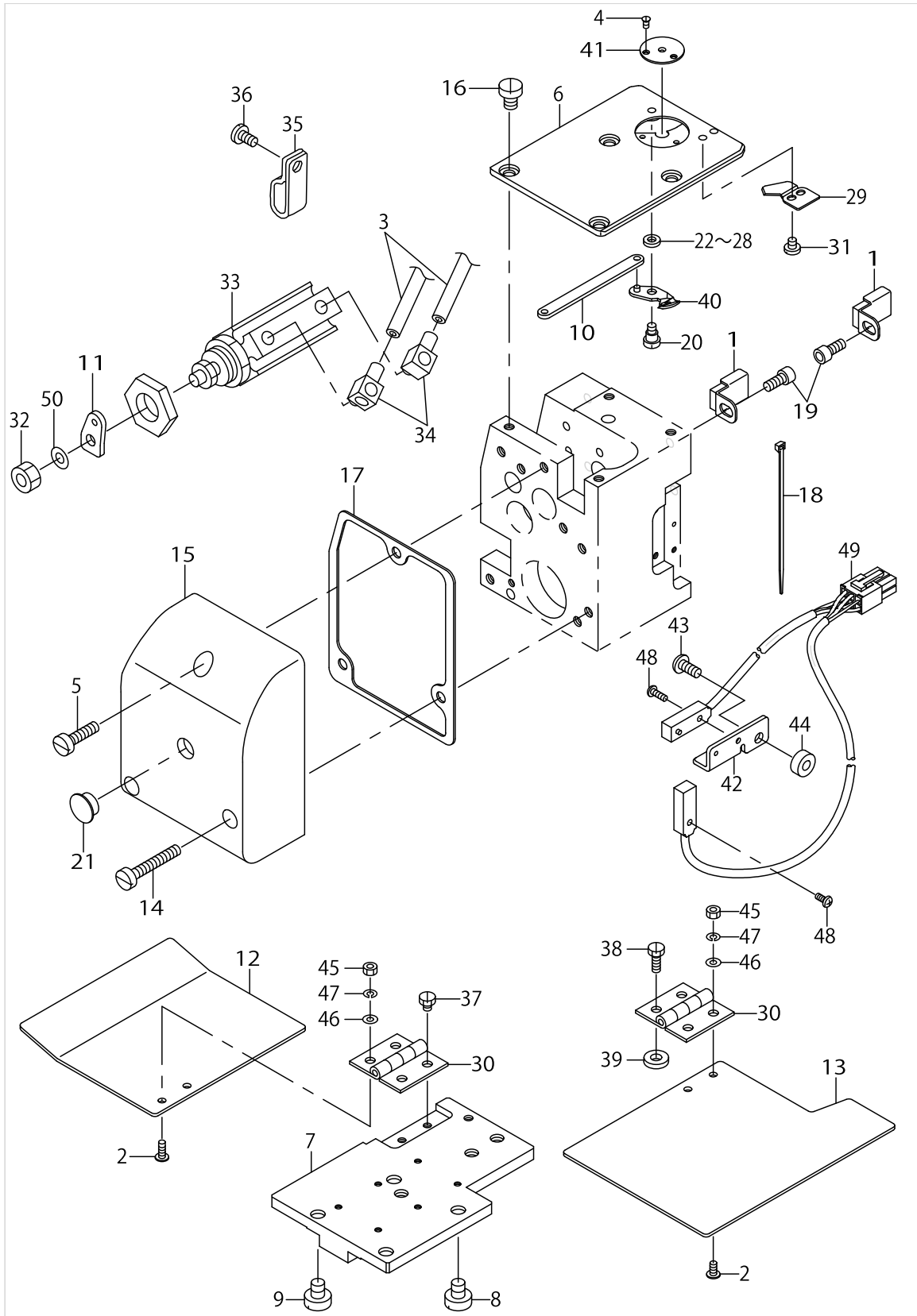
HOOK BASE COMPONENTS(2)



HOOK BASE COMPONENTS(2)

No.	Parts No.	Parts name	Remarks	Level	Cons	Qty
1	14419451	MAGNET INSTALLING PLATE ASM.				2
2	SM0030801SC	SCREW M3 X 8				4
3	BT0600401EF	TUBE				1.5
4	SS1060210TP	SCREW 3/32-56 L=2.2				2
5	SS6121840SP	SCREW 3/16-28 L=18				1
6	13886304	THROAT PLATE, B				1
7	14419303	HOOK CONNECTING PLATE				1
8	SS6150760SN	SCREW 15/64-28 L=6.5				2
9	SS6150710SP	SCREW				2
10	13887302	MOVING KNIFE LINK, B				1
11	14420202	SPRING RACK B				1
12	14419006	HOOK COVER, LEFT				1
13	14419105	HOOK COVER, RIGHT				1
14	SS6123010SP	SCREW 3/16-28 L=30.0				2
15	14419600	HOOK BASE COVER				1
16	SS6110610TP	SCREW 11/64-40 L=6				4
17	13888805	PACKING				1
18	EA9500B0100	CABLE BAND				2
19	SS6111052TP	SCREW				2
20	B2417210000	MOVING KNIFE HINGE SCREW				1
21	TA1050504R0	RUBBER PLUG				1
22	B242328000A	MOVING KNIFE WASHER A	SELECTIVE PARTS			1
23	B242328000B	MOVING KNIFE WASHER B	SELECTIVE PARTS			1
24	B242328000C	MOVING KNIFE WASHER C	SELECTIVE PARTS			1
25	B242328000D	MOVING KNIFE WASHER D	SELECTIVE PARTS			1
26	B242328000E	MOVING KNIFE WASHER E	SELECTIVE PARTS			1
27	B242328000F	MOVING KNIFE WASHER F	SELECTIVE PARTS			1
28	B242328000G	MOVING KNIFE WASHER G	SELECTIVE PARTS			1
29	B2424210000	COUNTER KNIFE				1
30	14417703	HOOK COVER HINGE				2
31	SS7090410SP	SCREW 9/64-40 L= 3.5				2
32	NM6050001SP	NUT M5				1
33	PA1501515A0	AIR CYLINDER				1
34	PJ046054002	HOSE ELBOW				2
35	D2112555B00	CORD HOLDER, LARGE				1
36	SS7110840SP	SCREW 11/64-40 L=7.8				1
37	SS9090410TP	SCREW				2
38	SS9091010SP	SCREW 9/64-40 L=10				2
39	WP0502616SD	WASHER				2
40	13881255	MOVING KNIFE JUNCTION				1
41	13882501	NEEDLE HOLE GUIDE				1
42	14419204	SENSOR INSTALLING BASE				1
43	SS4111015SP	SCREW 11/64-40 L=10				1
44	D2063772B00	LOCKING CAM PLATE HOLDER				1
45	NM6030001SC	NUT M3				4
46	WP0320500SC	WASHER M3				4
47	WS0310002KR	SPRING WASHER 3.1X5.9X0.7				4

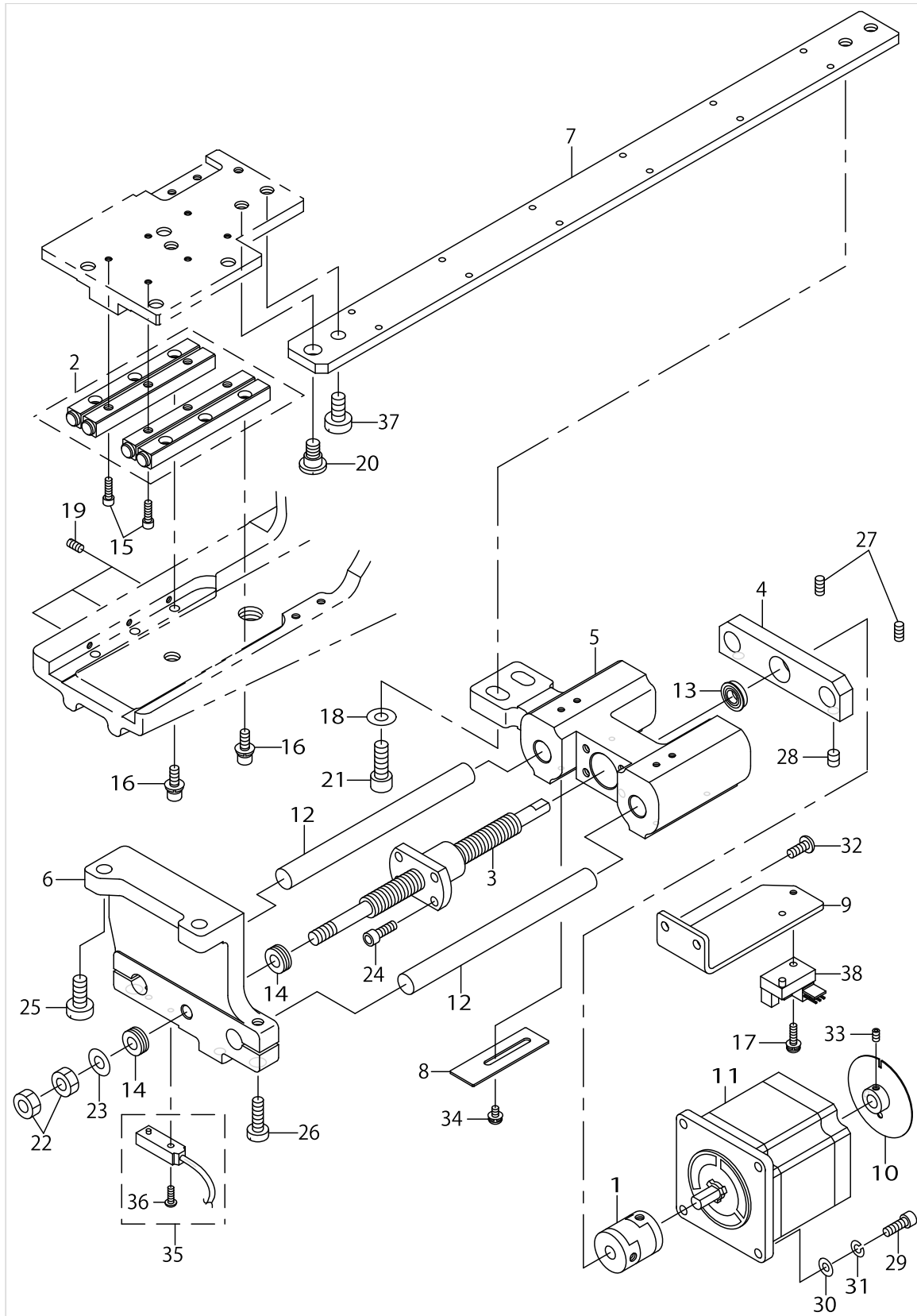
HOOK BASE COMPONENTS(2)



HOOK BASE COMPONENTS(2)

No.	Parts No.	Parts name	Remarks	Level	Cons	Qty
48	SM4860801SC	SCREW M2.6 L=8				2
49	14400451	HOOK COVER SENSOR CABER ASM.				1
50	WP0501016SD	WASHER 5X10.5X1				1

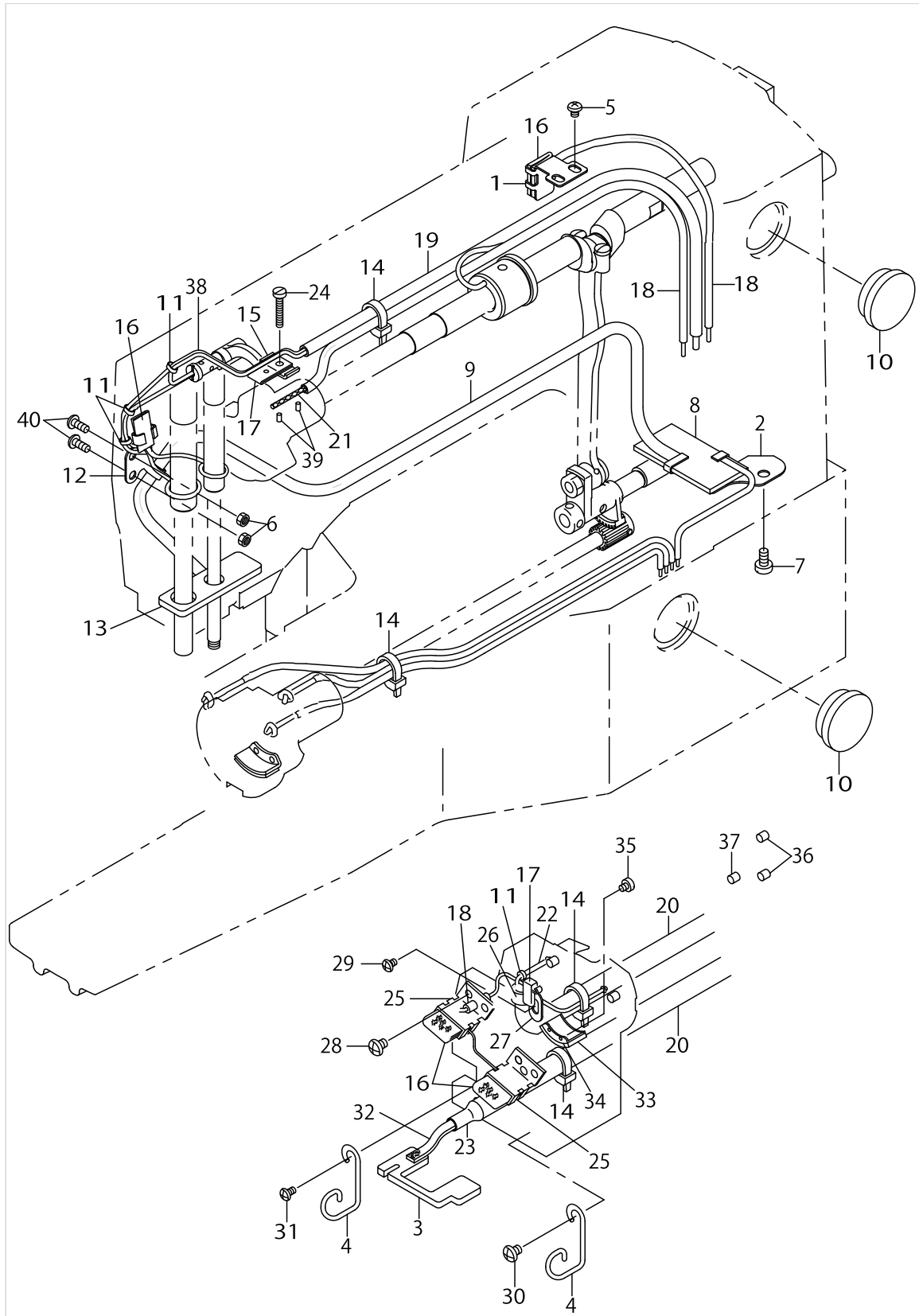
2ND HOOK MOVE COMPONENTS



2ND HOOK MOVE COMPONENTS

No.	Parts No.	Parts name	Remarks	Level	Cons	Qty
1	14422604	COUPLING				1
2	14422703	CROSS ROLLER UPPER				1
3	14422505	BALL SCREW				1
4	14423107	BALL SCREW SUPPORT BASE				1
5	14422802	SLIDER ARM				1
6	14422901	ERMOVING BASE				1
7	14423008	SLIDE BAR				1
8	14423206	SENSOR DETECTOR PLATE				1
9	14423305	SENSOR INSTALLING PLATE				1
10	14423453	SENSOR SLIT ASM.				1
11	G5230254000	FEED-OUT MOTOR				1
12	12292504	HORIZONTAL DRIVING SHAFT				2
13	SB106350100	BEARING				1
14	SB406000100	THRUST BEARING				2
15	SM6031002TP	HEXAGONAL BOLT M3 X 10				6
16	SL6041292TN	SCREW				6
17	SL4031291SC	SCREW M3X12				1
18	WP0611626SP	WASHER 15X6X1.6				2
19	SS8090710SP	SCREW 9/64-40 L= 7.0				3
20	SD0790433TP	HINGE SCREW D= 7.94 H= 4.3				1
21	SS6151712TP	SCREW 15/64-28 L=16.5				2
22	NM6060001SC	NUT M6				2
23	WP0612066SP	WASHER 6.1X11X2				1
24	SM6041202TP	SCREW M4X0.7 L=12				4
25	SS6151440SP	SCREW 15/64-28 L=14				2
26	SS6121610TP	SCREW 3/16-28 L=15.5				2
27	SM8040802TP	SCREW M4X8				2
28	SM8050602TP	SCREW M5 L=6				2
29	SM6041202TP	SCREW M4X0.7 L=12				4
30	WP0430800SD	WASHER M4				4
31	WS0410002KP	SPRING WASHER				4
32	SL4041091SC	SCREW M4 L=10				2
33	SM8030502TP	SCREW M3 L=5				2
34	SL4030691SC	SCREW M3X6				2
35	14423651	HOOK REMDVAL SENSOR 1				1
36	SM4860801SC	SCREW M2.6 L=8		*		1
37	SS6151210SP	SCREW 15/64-28 L=12				1
38	HD00057000A	PHOTO SENSOR				1

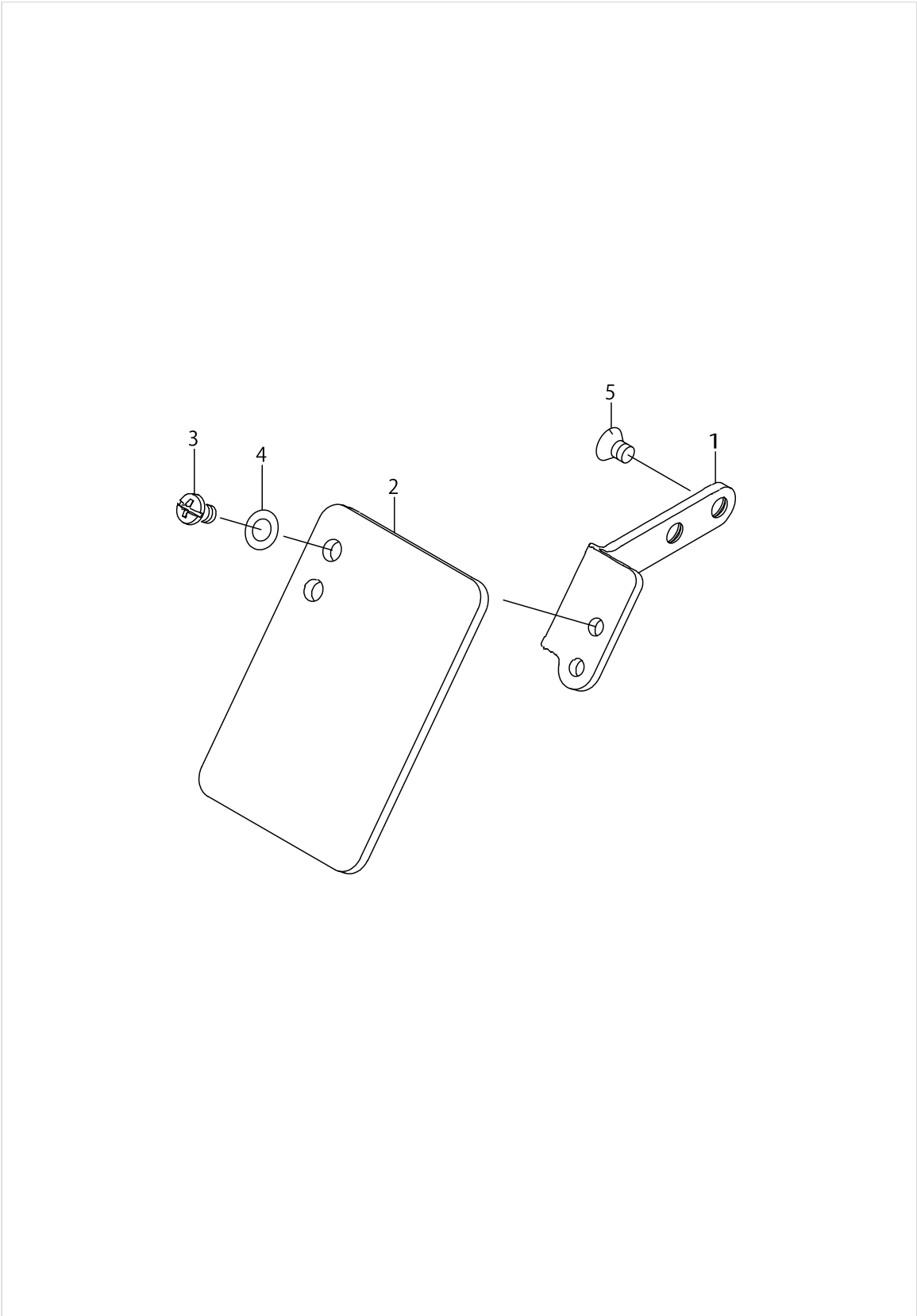
LUBRICATION COMPONENTS



LUBRICATION COMPONENTS

No.	Parts No.	Parts name	Remarks	Level	Cons	Qty
1	14114102	OIL SHIELD				1
2	14114201	OIL SHIELD				1
3	13888607	OIL FELT				1
4	11021607	TUBE HOLDER (UPPER)				2
5	SS4110515SP	SCREW 11/64-40 L=5				2
6	NS6110310SP	NUT 11/64-40				2
7	SS6120930SP	SCREW 3/16-28 L=9				1
8	B3509210D00	OIL FELT				1
9	13529003	ONCE THROUGH OIL FELT				0.56
10	B3501210000	OIL GAUGE				2
11	B1419026000	OIL WICK PRESSER				5
12	B3506280000	OIL WICK PRESSER				1
13	14424006	FACE FELT				1
14	EA9500B0100	CABLE BAND				4
15	B3508280000	BALANCE LUBRICATING PLATE				1
16	B3509280000	NEEDLE ROD CRANK LUBRICATING				4
17	B3518280000	BALANCE LUBRICATING				2
18	BP300000000	VINYL PIPE				2.7
19	BP600000000	VINYL PIPE				1.5
20	BP500000000	VINYL PIPE				1.1
21	CQ200000000	OIL WICK				3
22	CQ252200000	OIL WICK				0.6
23	E8760452M00	TUBE				0.1
24	SS6092120SP	SCREW 9/64-40 L=21.2				1
25	26231605	CRANK ROD LUBRICATING PLATE				2
26	B3523280000	OIL TUBE HOLDER				1
27	B3520210000	OIL FELT SUPPORTING PLATE				1
28	SS4120615SP	SCREW 3/16-28 L=6				4
29	SS4090515SP	SCREW 9/64-40 L=5				1
30	SS4120615SP	SCREW 3/16-28 L=6				1
31	SS4090615SP	SCREW 9/64-40 L=6				1
32	B3523220000	OIL FELT				1
33	B3504280000	SHUTTLE FELT				1
34	26231100	SHUTTLE LUBRICATING PLATE				1
35	SS6090440SP	SCREW 9/64-40 L= 4.0				2
36	B1820210D00	SHUTTLE OIL FELT,A				2
37	B1821210D00	SHUTTLE OIL FELT,B				1
38	CQ252000000	OIL WICK				2.5
39	B1821210D00	SHUTTLE OIL FELT,B				2
40	SS4111015SP	SCREW 11/64-40 L=10				2

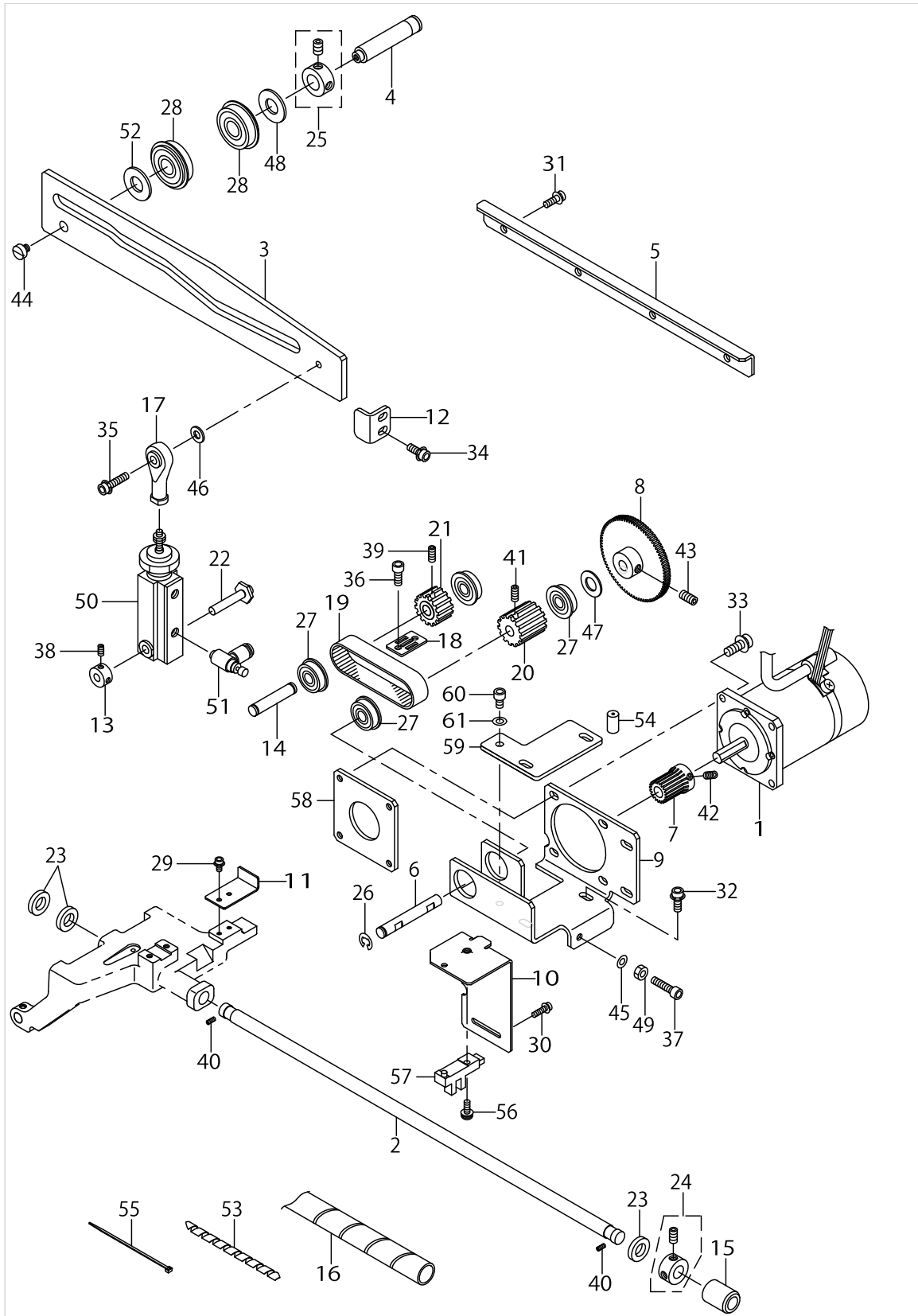
SAFETY COMPONENTS



SAFETY COMPONENTS

No.	Parts No.	Parts name	Remarks	Level	Cons	Qty
1	40049798	SAFETY PLATE BASE				1
2	13889407	SAFETY PLATE				1
3	SM4040855SP	SCREW				2
4	WP0450801SD	WASHER 4.5X10X0.8				2
5	SS1110640TP	SCREW 11/64-40 L= 5.5				2

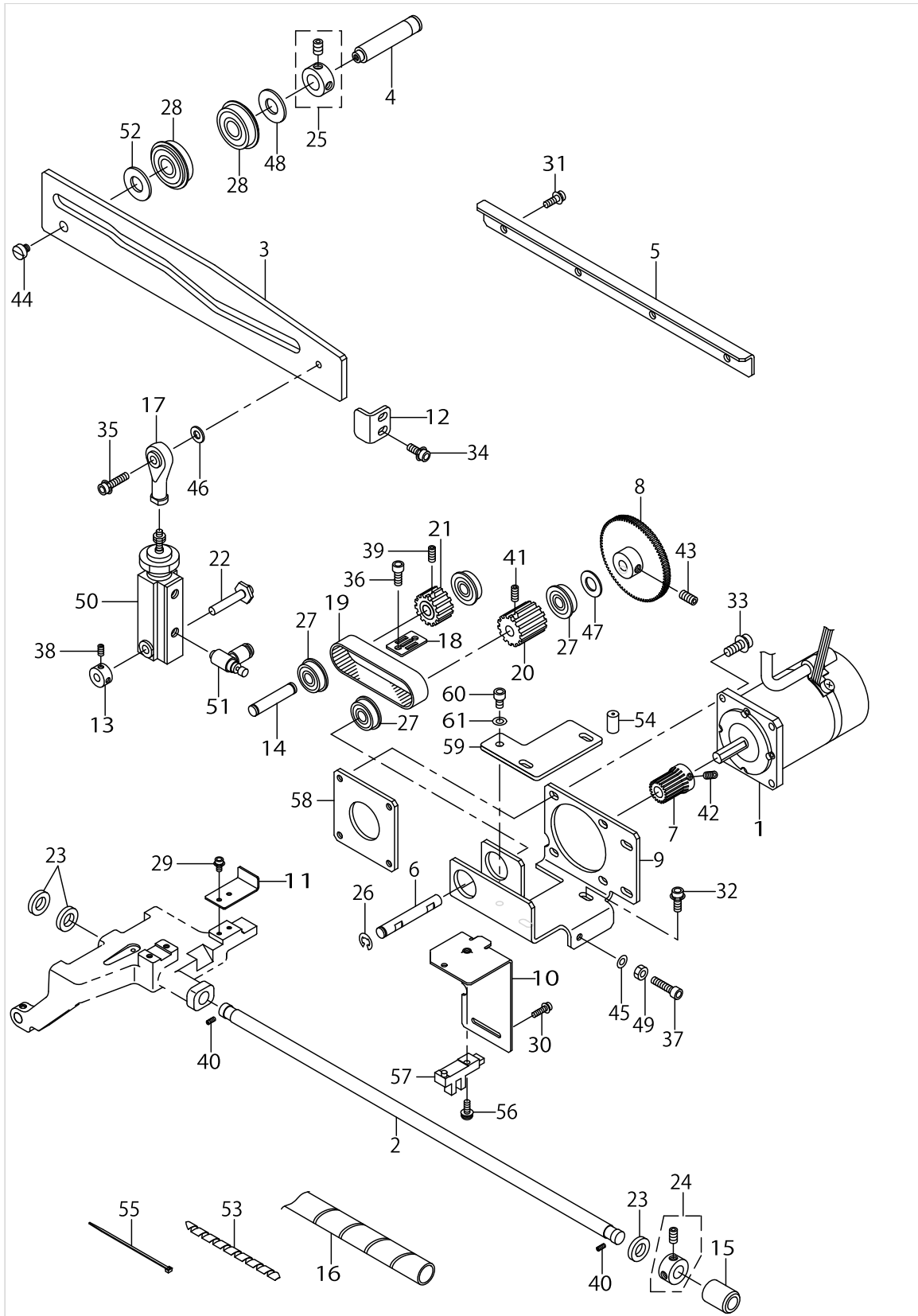
BELT LOOP SUPPLY COMPONENTS



BELT LOOP SUPPLY COMPONENTS

No.	Parts No.	Parts name	Remarks	Level	Cons	Qty
1	G5001254000	UNIT SERVO MOTOR				1
2	G5002254000	LOOP SUPPLY GUIDE SHAFT				1
3	G5003254000	LOOP SUPPLY CAM				1
4	G5004254000	LOOP SUPPLY CAM ROTARY SHAFT				1
5	G5005254000	LOOP SUPPLY SLIDE GUIDE				1
6	G5006254000	DRIVING SPROCKET SHAFT				1
7	G5007254000	DRIVING GEAR				1
8	G5008254000	FOLLOWER GEAR				1
9	40058131	MOTOR_INSTALLING_PLATE_A				1
10	G5010254000	SUPPLY SENSOR FITTING PLATE				1
11	G5011254000	LOOP SUPPLY SENSOR SLIT				1
12	G5012254000	CAM MAINTENANCE PLATE				1
13	G6014880000	LINK THRUST HOLDER				1
14	13518105	LIFTING LEVER SHAFT				1
15	12308300	METAL,FRONT				1
16	E1022760000	SPIRAL TUBE				0.7
17	B1632180000	FEED ADJUSTING JOINT				1
18	B2509210D00	BELT RECEIVER				1
19	B2512210D0A	X TIMING BELT(EXTENSION)				1
20	B2513210D00	DRIVE SPROCKET				1
21	B2514210D00	DRIVEN SPROCKET				1
22	B2528215000	SHAFT				1
23	B2740771000	THRUST WASHER				3
24	CS100101DSH	THRUST COLLAR ASM.				1
25	CS1201010SH	THRUST COLLAR ASM. D=12 W=10				1
26	RE0600000K0	E-RING 6				1
27	SB108000500	RADIAL BEARING				4
28	SB112000100	BEARING D=12X32				2
29	SL6030892TN	SCREW				2
30	SL6041292TN	SCREW				2
31	SL6051292TN	BOLT				4
32	SL6051292TN	BOLT				2
33	SL6051692TN	BOLT				4
34	SL6051292TN	BOLT				2
35	SL6051642TN	BOLT				1
36	SM6041002TP	SCREW M4 L=10				2
37	SM6052002TP	SCREW M5 L=20				1
38	SM8040502TP	SCREW M4X0.7 L=5				2
39	SM8040502TP	SCREW M4X0.7 L=5				1
40	SM8050602TP	SCREW M5 L=6				2
41	SM8060802TP	SCREW M6 L=8				2
42	SM8060802TP	SCREW M6 L=8				2
43	SM8060802TP	SCREW M6 L=8				2
44	SS6110630TP	SCREW 11/64-40 L=6				1
45	WP0531000SD	WASHER M5				1
46	WP0561616SC	WASHER 5.6X16X1.6				1
47	WP0820526SD	WASHER 8.2X14X0.5				1

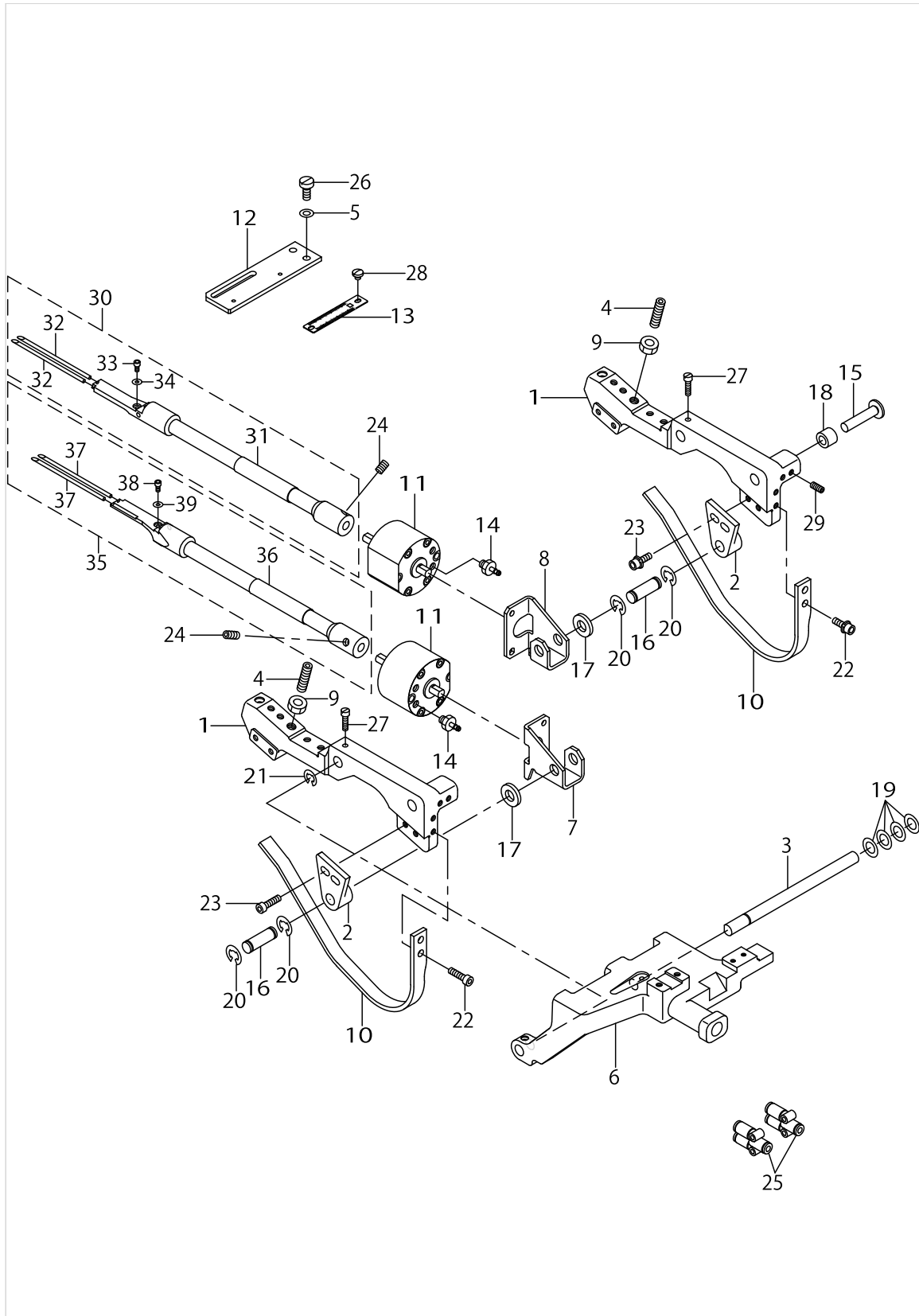
BELT LOOP SUPPLY COMPONENTS



BELT LOOP SUPPLY COMPONENTS

No.	Parts No.	Parts name	Remarks	Level	Cons	Qty
48	WP1221016SP	WASHER				1
49	NM6050001SD	NUT M5X0.8				1
50	PA1602006B0	AIR CYLINDER				1
51	PC010508000	SPEED CONTROLLER				2
52	G5013254000	WASHER				1
53	HX001890000	SPIRAL TUBE				0.5
54	G5014254000	MOTOR GUIDE PIN				1
55	EA9500B0100	CABLE BAND				2
56	SL4041291SC	SCREW M4 L=12				1
57	HD002230000	PHOTO SENSOR				1
58	40058132	MOTOR_INSTALLING_PLATE_B				1
59	40066097	MOTOR_INSTALLING_SUPPORT_PLATE				1
60	SM6050802TP	SCREW M5X0.8 L=8				1
61	WP0531000SD	WASHER M5				1

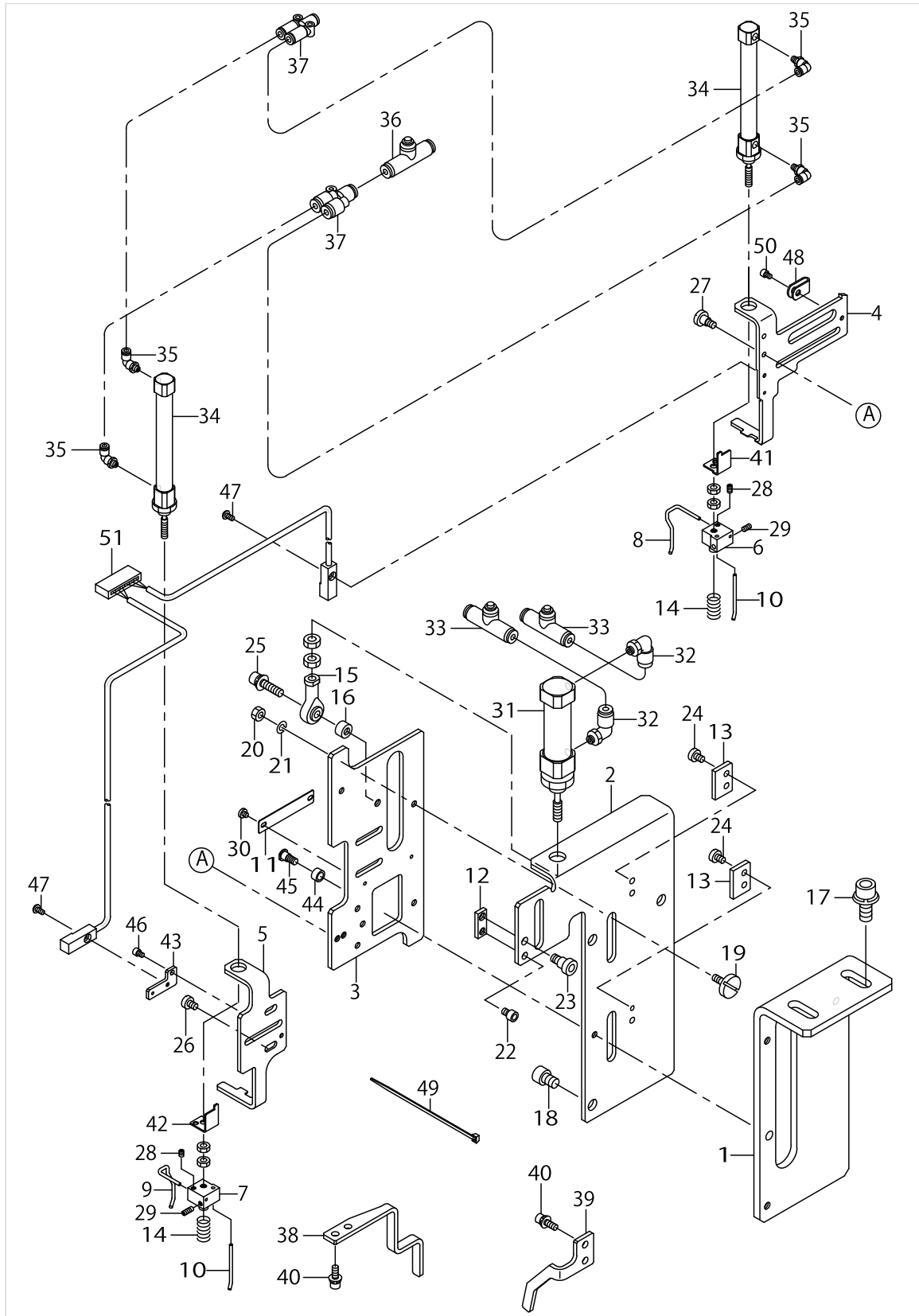
BELT LOOP FOLDING COMPONENTS



BELT LOOP FOLDING COMPONENTS

No.	Parts No.	Parts name	Remarks	Level	Cons	Qty
1	G5051254000	BENDING SHAFT METAL				2
2	G5052254000	BENDING SHAFT METAL BRACKET				2
3	G5053254000	SUPPLY CAM LEVER SHAFT				1
4	SS8151230SP	SCREW 15/64-28 L=12				2
5	WP0450801SD	WASHER 4.5X10X0.8				3
6	G5056254000	LOOP SUPPLY SLIDE BASE				1
7	G5057254000	FRONT BENDING SHAFT ROTOR BASE				1
8	G5058254000	REAR BENDING SHAFT ROTOR BASE				1
9	NS6150540SP	NUT 15/64-28				2
10	G5060254000	BENDING SHAFT PRESSER SPRING				2
11	G5061254000	FOLDING SHAFT ROTOR				2
12	G5062254000	LOOP BENDING CONNECTING PLATE				1
13	G5063254000	FORK WIDTH SCALE PLATE				1
14	PJ032059006	BARB JOINT				4
15	22585707	SHAFT				1
16	13860606	PIN				2
17	B185351200E	HOOK SHAFT WASHER				2
18	40009143	ROLLER				1
19	WP0820526SD	WASHER 8.2X14X0.5				4
20	RE0600000K0	E-RING 6				4
21	RE0700000K0	E-RING 7				1
22	SL6041292TN	SCREW				4
23	SL6041292TN	SCREW				4
24	SM8050602TP	SCREW M5 L=6				2
25	PJ308040007	UNION Y				2
26	SS6111010TP	SCREW 11/64-40 L= 9.5				3
27	SS6111010TP	SCREW 11/64-40 L= 9.5				2
28	SS7060310SP	SCREW 3/32-56 L=3				2
29	SM8040802TP	SCREW M4X8				2
30	G50542540A0	FRONT BENDING SHAFT ASM.				1
31	G5054254000A	FRONT BENDING SHAFT		*		1
32	G5059254000	LOWER FOLDING DOG		*		2
33	SM6850502TN	SCREW M2.5 L=5		*		1
34	WP0250501SC	WASHER 2.5X6.5		*		1
35	G50552540A0	REAR BENDING SHAFT ASM.				1
36	G5055254000A	REAR BENDING SHAFT		*		1
37	G5059254000	LOWER FOLDING DOG		*		2
38	SM6850502TN	SCREW M2.5 L=5		*		1
39	WP0250501SC	WASHER 2.5X6.5		*		1

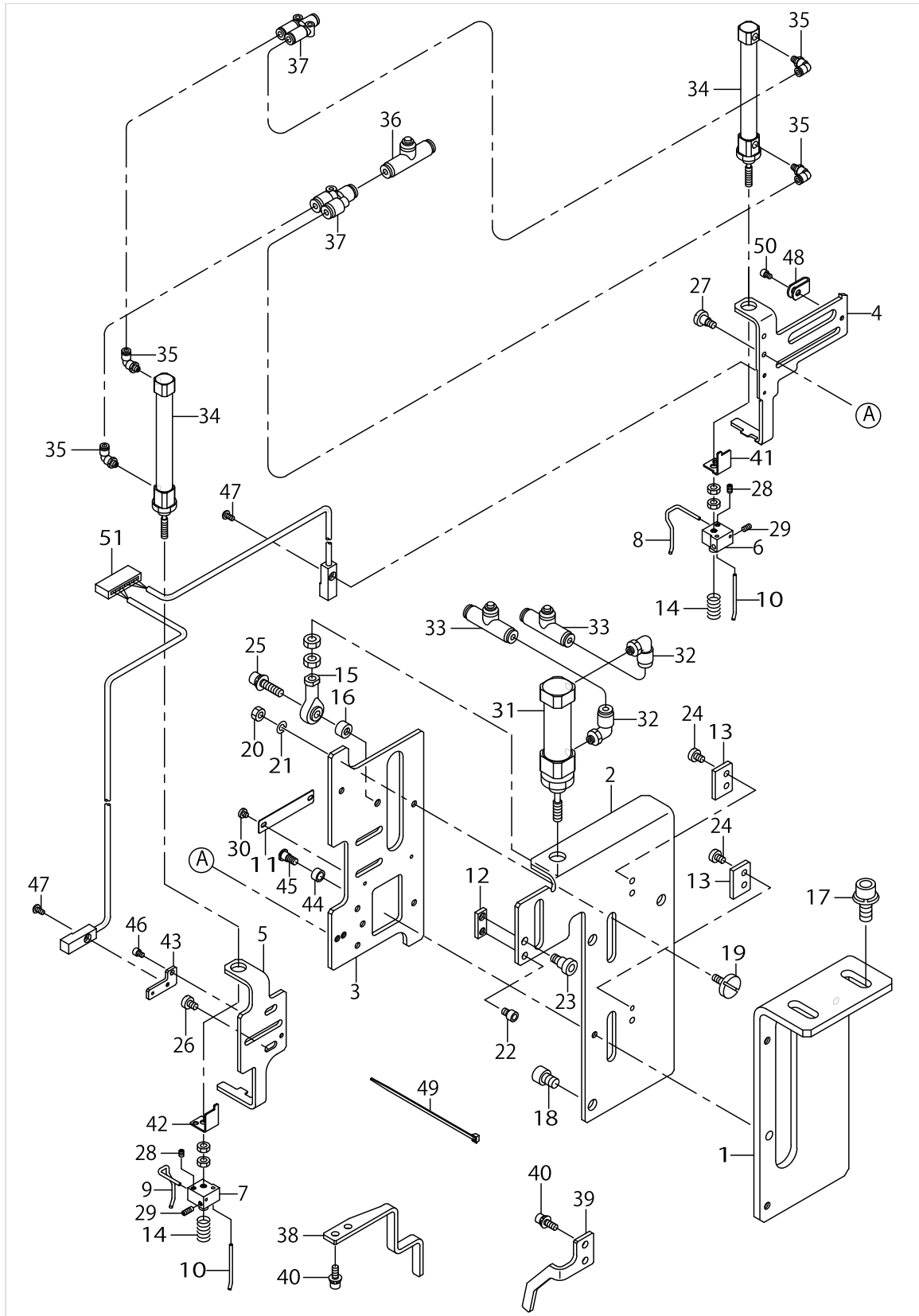
BELT RECEIVER COMPONENTS



BELT RECEIVER COMPONENTS

No.	Parts No.	Parts name	Remarks	Level	Cons	Qty
1	G5101254000A	LOOP PRESSER UNIT BASE				1
2	G5102254000A	LOOP PRESSER SUPPORT BASE				1
3	G5103254000A	LOOP PRESSER REMOVING BASE				1
4	G5104254000A	LOOP CATCH,FRONT				1
5	G5105254000A	LOOP CATCH,REAR				1
6	G5106254000	LOOP GATHER BRACKET, FRONT				1
7	G5107254000	LOOP GATHER BRACKET, REAR				1
8	G5108254000	LOOP DRAWING CLICK A, FRONT				1
9	G5109254000	LOOP DRAWING CLICK A, REAR				1
10	G5110254000	LOOP DRAWING CLICK B				2
11	G5063254000	FORK WIDTH SCALE PLATE				1
12	B4127352000	BOTTOM GUIDE				1
13	26303404	PLATE A				2
14	B1449526000	REPOSITIONING LEVER SPRING				2
15	B1632180000	FEED ADJUSTING JOINT				1
16	B1606210000	ROLLER				1
17	SL6082092TN	BOLT				2
18	SM6061002TP	SCREW M6 L=10				3
19	SD0700312SD	HINGE SCREW D= 7 H= 3.13				3
20	NS6110310SP	NUT 11/64-40				3
21	WS0441040KP	SPRING WASHER 4.4X7.4X1				3
22	SS6110610TP	SCREW 11/64-40 L=6				1
23	SD0550212TP	HINGE SCREW D=5.5 H=2.1				1
24	SS6110610TP	SCREW 11/64-40 L=6				4
25	SL6052042TN	SCREW				1
26	SS6110610TP	SCREW 11/64-40 L=6				2
27	SD0500481TP	HINGE SCREW D= 5 H= 4.8				2
28	SM8030402TP	SCREW M3X0.5 L=4				2
29	SM8030802TP	SCREW M3X0.5 L=8				2
30	SS7060310SP	SCREW 3/32-56 L=3				2
31	PA1602005A0	AIR CYLINDER				1
32	PJ304040506	ELBOW UNION				2
33	PC012406000	SPEED CONTROLLER				2
34	PA1005501A0	CYLINDER				2
35	PJ304040504	ELBOW UNION				4
36	PC012406000	SPEED CONTROLLER				1
37	PJ308040007	UNION Y				2
38	G5112254000	LOOP SWEEPING PLATE,FRONT				1
39	G5113254000	LOOP SWEEPING PLATE,REAR				1
40	SL6041292TN	SCREW				4
41	G5114254000	LOOP CATCH SENSOR BKT.,FRONT				1
42	G5115254000	LOOP CATCH SENSOR BKT.,REAR				1
43	G5116254000	LOOP CATCH SENSOR FITTING BKT.				1
44	D2587L8WB00	ROLLER				1
45	D2588L8WB00	ROLLER SHAFT				1
46	SM6030402TP	SCREW M3X0.5 L=4				1
47	SM4860601SC	SCREW M2.6 L=6				2

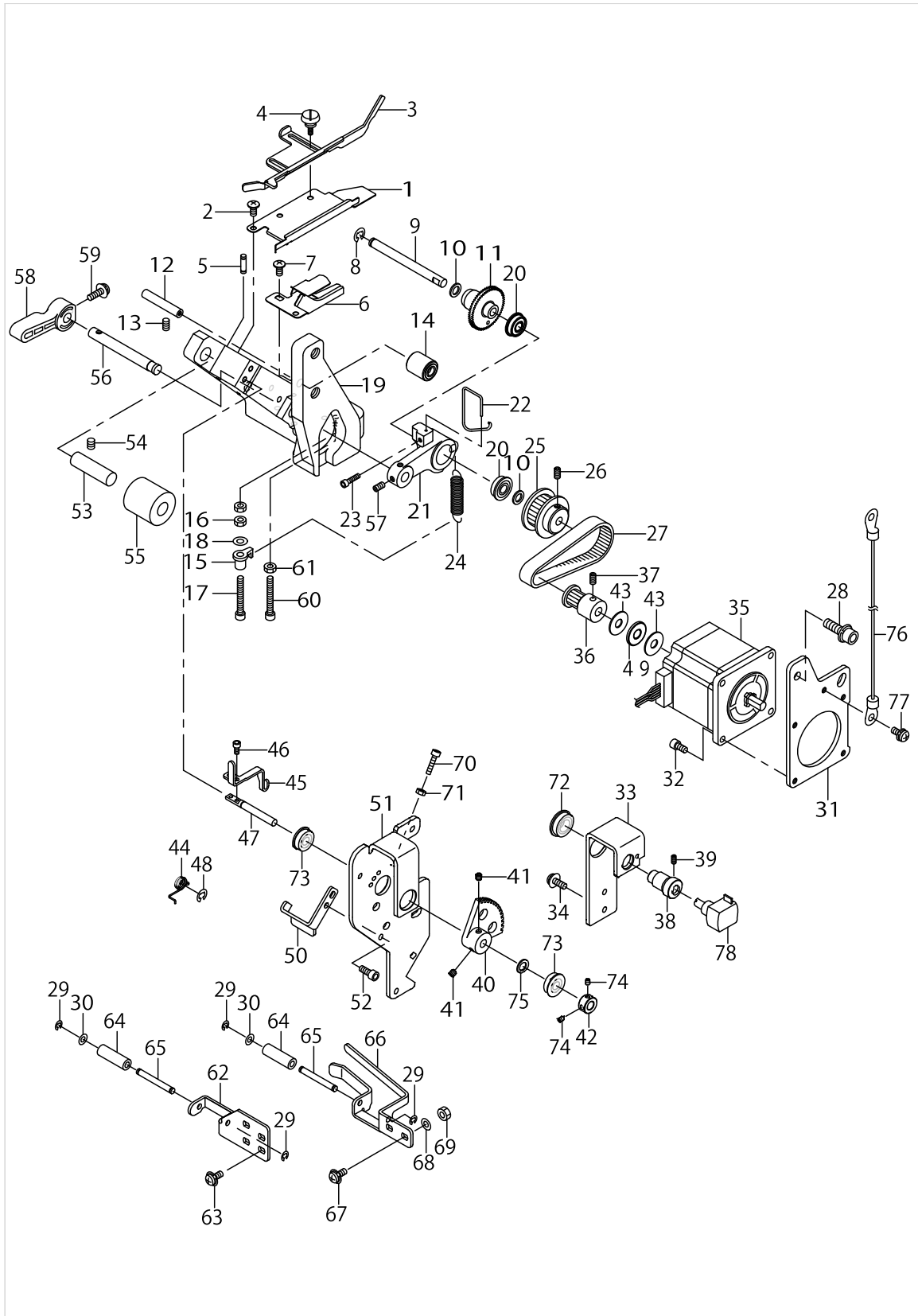
BELT RECEIVER COMPONENTS



BELT RECEIVER COMPONENTS

No.	Parts No.	Parts name	Remarks	Level	Cons	Qty
48	HX001500000	CLIP				1
49	EA9500B0100	CABLE BAND				5
50	SM6030402TP	SCREW M3X0.5 L=4				1
51	M85226100A0	LOOP GATHER DESCENT SENSOR ASM				1

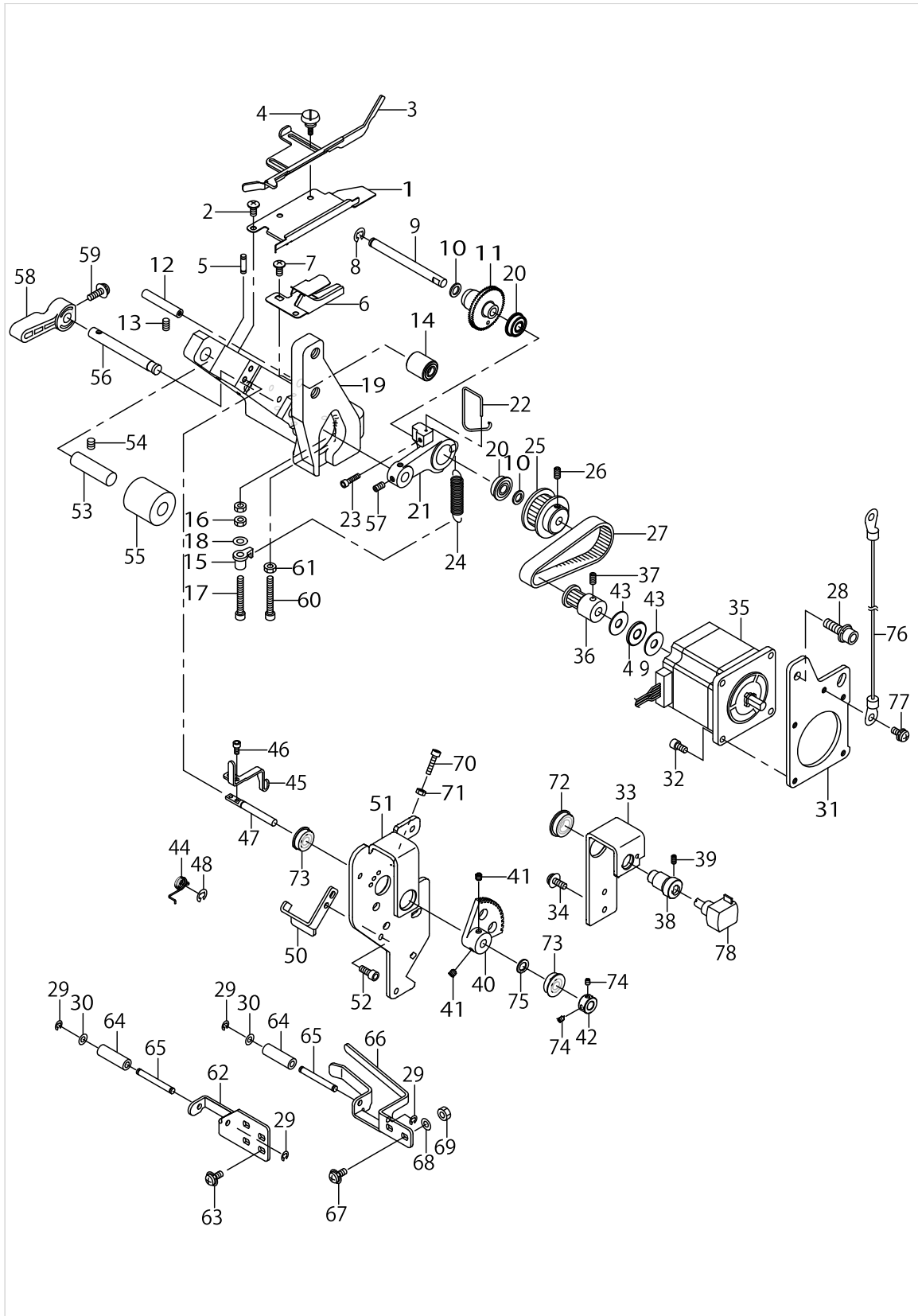
BELT LOOP FEED COMPONENTS



BELT LOOP FEED COMPONENTS

No.	Parts No.	Parts name	Remarks	Level	Cons	Qty
1	G5201254000	LOOP BINDER B				1
2	SM0040801SC	SCREW				1
3	G5202254000	LOOP WIDTH GUIDE				1
4	B2549372000	CLAMP SCREW A				2
5	10632511	PLUNGER PIN				1
6	G5203254000	LOOP BINDER A				1
7	SM0040801SC	SCREW				2
8	RE0400000K0	E-RING 4				1
9	G5204254000	FEED ROLLER SHAFT				1
10	B1618804000	WASHER				2
11	G52312540B0	FEED ROLLER ASM.				1
12	G5207254000	ROLLER SHAFT				1
13	SM8040602TP	SCREW M4X0.7 L=6				1
14	G52082540A0	FEED ROLLER ASM.				1
15	14045306	ADJUST PIN				1
16	NM6040003SC	NUT M4				2
17	SM6043052TN	SCREW M4 L=30				1
18	WP0430801SE	WASHER 4.3X9X0.8				1
19	G5209254000	LOOP FEED BASE				1
20	SB106000300	BEARING				2
21	G5210254000	FEED ROLLER LEVER				1
22	G5211254000	LOOP GUIDE A				1
23	SM6031202TP	SCREW M3X0.5 L=12				1
24	G5212254000	FEED ROLLER SPRING				1
25	G5213254000	FEED ROLLER SPROCKET				1
26	SM8040602TP	SCREW M4X0.7 L=6				2
27	G5214254000	FEED TIMING BELT				1
28	SL6062092TN	SCREW M6 L=20				2
29	RE0300000K0	E-RING 3				4
30	WZ0430200KH	WAVED WASHER				2
31	G5215254000	FEED MOTOR BRACKET				1
32	SM6040802TP	SCREW M4X0.7 L=8				4
33	40021803	SENSOR_PLATE				1
34	SL4041091SC	SCREW M4 L=10				2
35	G5230254000	FEED-OUT MOTOR				1
36	G5217254000A	FEED-OUT MOTOR SPROCKET				1
37	SM8040602TP	SCREW M4X0.7 L=6				2
38	40021805	GEAR				1
39	SM8030402TP	SCREW M3X0.5 L=4				1
40	G5219254000A	SHAFT GEAR				1
41	SM8040412TP	SET SCREW M4 L=4				2
42	40021806	BEARING_COLLAR				1
43	G5236254000	THRUST RING				2
44	G5220254000	SHAFT SPRING				1
45	G5221254000	DETECTOR PLATE				1
46	SM6030602TP	SCREW M3X0.5 L=6				2
47	40021804	SHAFT				1

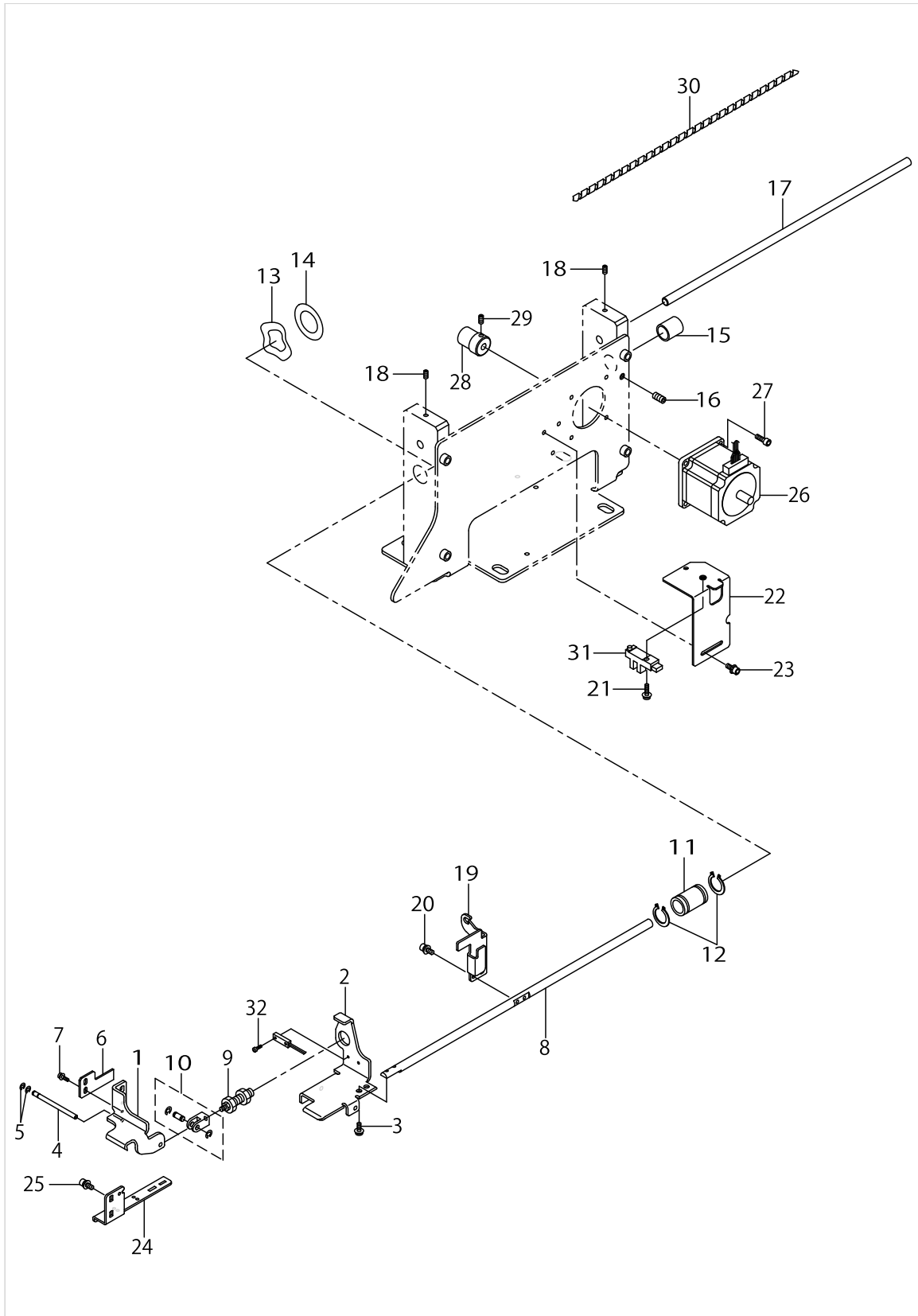
BELT LOOP FEED COMPONENTS



BELT LOOP FEED COMPONENTS

No.	Parts No.	Parts name	Remarks	Level	Cons	Qty
48	RE040000K0	E-RING 4				1
49	SB606350100	BEARING				1
50	G5227254000	LOOP GUIDE				1
51	40021802	GEAR_PLATE				1
52	SM6041002TP	SCREW M4 L=10				3
53	G5224254000	LOOP ROLLER SHAFT				1
54	SM8050602TP	SCREW M5 L=6				1
55	G5225254000	LOOP ROLLER				1
56	G5226254000	ROLLER LEVER SHAFT				1
57	SM8040602TP	SCREW M4X0.7 L=6				2
58	22907802	HAND LIFTER				1
59	SL4041281SC	SCREW M4X0.7 L=12				1
60	SM6043052TN	SCREW M4 L=30				1
61	NM6040000SN	NUT M4				1
62	G5228254000A	GUIDE ROLLER CATCH A				1
63	SL4041091SC	SCREW M4 L=10				2
64	E3705715000	VCS SPACER				2
65	10208700	WIPER LINK SHAFT				2
66	G5229254000	GUIDE ROLLER CATCH B				1
67	SL4041091SC	SCREW M4 L=10				2
68	WP0430801SE	WASHER 4.3X9X0.8				2
69	NM6040000SN	NUT M4				2
70	SM6031402TP	SCREW				1
71	NM6030001SC	NUT M3				1
72	SB109000300	BEARING				1
73	SB106000300	BEARING				2
74	SM8030412TP	SCREW				2
75	B1618804000	WASHER				1
76	14075758	MOTOR FG CABLE B ASM.				1
77	SL4041091SC	SCREW M4 L=10				1
78	40022521	LOOP THICKNESS DETECT SENSOR B ASSY				1

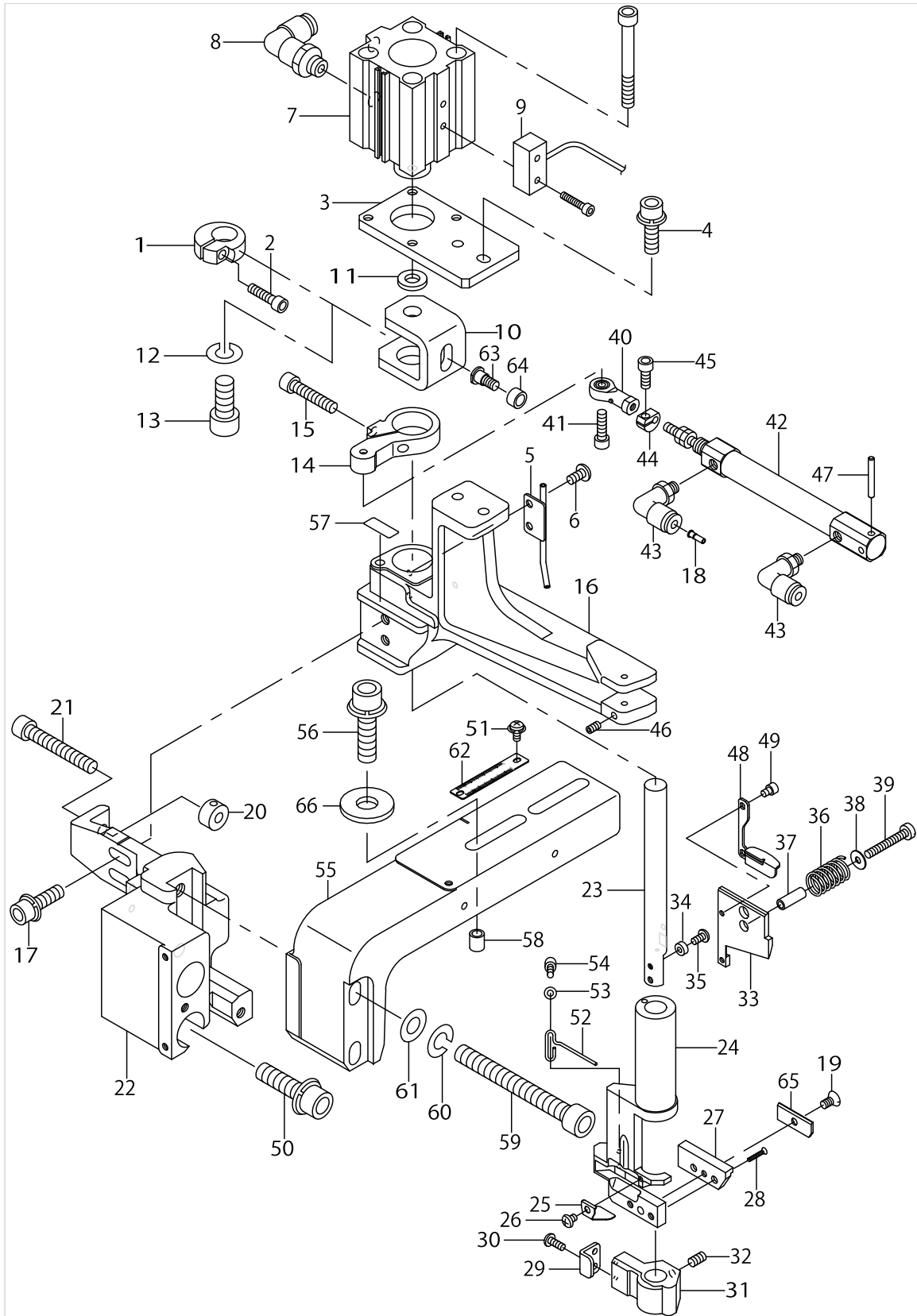
CLAMP FEED COMPONENTS



CLAMP FEED COMPONENTS

No.	Parts No.	Parts name	Remarks	Level	Cons	Qty
1	G5301254000A	LOOP CLAMP LEVER				1
2	G5302254000	LOOP CLAMP BASE PLATE				1
3	SL6041092TN	SCREW				2
4	G5303254000	LOOP CLAMP LEVER SHAFT				1
5	RE0300000K0	E-RING 3				2
6	G5305254000	LOOP CLAMP DETECTOR PLATE				1
7	SL6030892TN	SCREW				2
8	G5306254000	LOOP CLAMP FEED SHAFT				1
9	PA1001025A0	PIN CYLINDER				1
10	PA900034000	JOINT				1
11	SB710000200	SLIDE BEARING				1
12	RC1900001KP	C-RING				2
13	WZ2200300KP	WAVED WASHER				1
14	WP2103001SE	PLAIN WASHER				1
15	12308409	METAL, REAR				1
16	SM8060602TP	SCREW M6X6				1
17	B1811205000	LOWER SHAFT				1
18	SM8040602TP	SCREW M4X0.7 L=6				2
19	G5307254000	CLAMP FEED GUIDE PLATE				1
20	SL6041092TN	SCREW				2
21	SL4041291SC	SCREW M4 L=12				1
22	G5010254000	SUPPLY SENSOR FITTING PLATE				1
23	SL6041092TN	SCREW				2
24	G5308254000	CLAMP END SENSOR BRACKET				1
25	SL6041092TN	SCREW				2
26	G5230254000	FEED-OUT MOTOR				1
27	SM6040802TP	SCREW M4X0.7 L=8				4
28	G5309254000	CLAMP FEED MOTOR GEAR				1
29	SM8050602TP	SCREW M5 L=6				2
30	HX001890000	SPIRAL TUBE				0.3
31	HD002230000	PHOTO SENSOR				1
32	SM6850802TN	SCREW M2.5 L=8				1

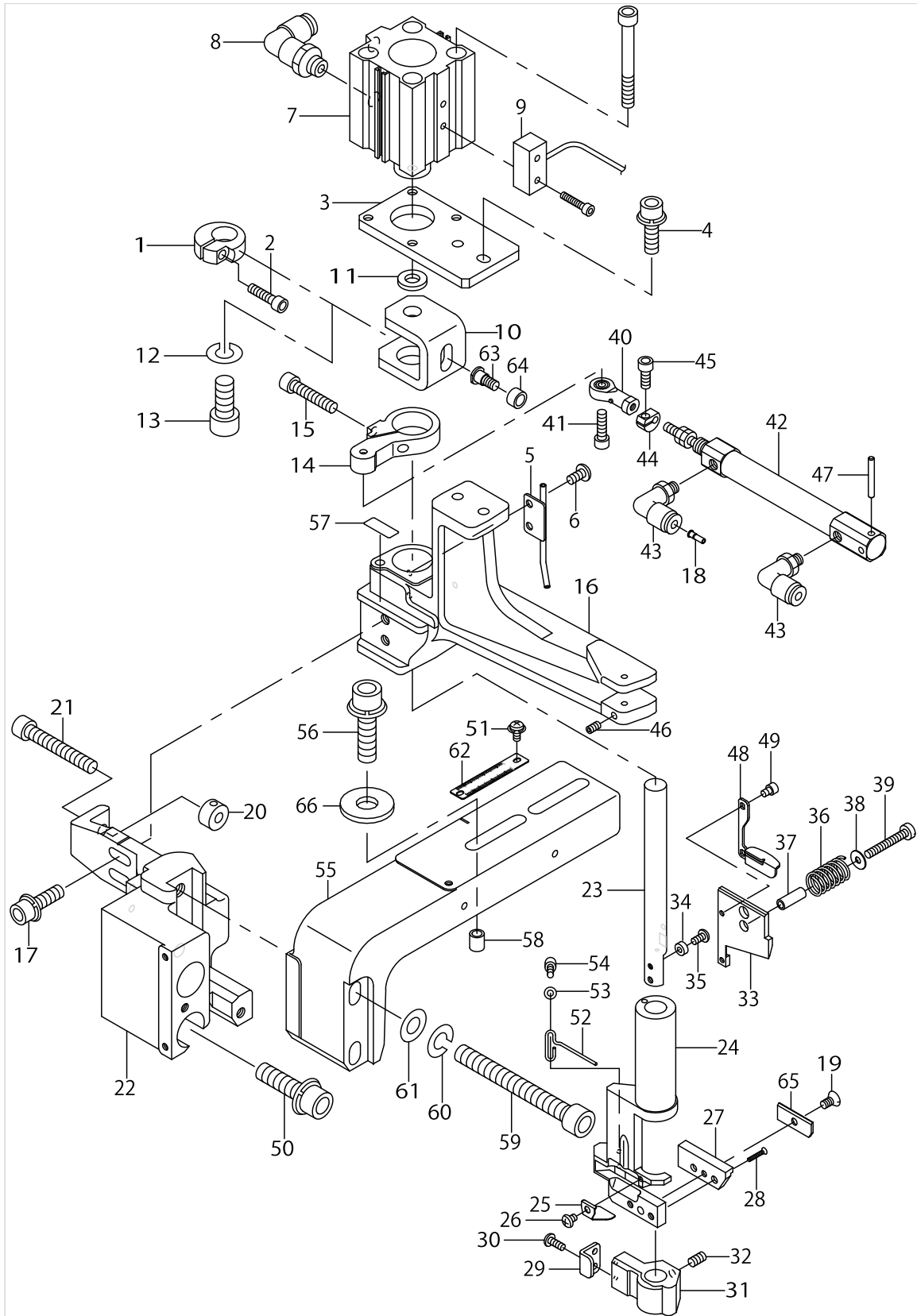
KNIFE COMPONENTS



KNIFE COMPONENTS

No.	Parts No.	Parts name	Remarks	Level	Cons	Qty
1	14006506	COLLAR				1
2	SM6041602TP	SCREW M4X0.7 L=16				1
3	G5401254000	KNIFE CYLINDER BRACKET				1
4	SL6062092TN	SCREW M6 L=20				2
5	G5420254000	BLOW PIPE				1
6	SM4040801SN	SCREW M4 L=8				2
7	PA3201503A0	AIR CYLINDER				1
8	PJ304065101	ELBOW UNION 6XPT1/8				2
9	G54212540A0	KNIFE LOWERING SENSOR ASM.				1
10	G5402254000	KNIFE SHAFT JOINT				1
11	B185351200AA	HOOK SHAFT WASHER, A				1
12	WS0820002KN	SPRING WASHER M8				1
13	SM6081802TP	SCREW				1
14	G5403254000	FIXING KNIFE POSITION BRACKET				1
15	SM6052502TP	SCREW M5X0.8 L=25				1
16	G5404254000	KNIFE BASE BRACKET				1
17	SL6062092TN	SCREW M6 L=20				2
18	PC022403F00	INSERT RING				1
19	SS2090710TP	SCREW 9/64-40 L=7.2				1
20	G6014880000	LINK THRUST HOLDER				1
21	SM6064002TR	SCREW M6 L=40				1
22	G5405254000	KNIFE DEVICE BRACKET				1
23	G5406254000	MOVING KNIFE SHAFT				1
24	G5407254000A	FIXING KNIFE BASE				1
25	G5408254000	KNIFE BASE LOOP GUIDE				1
26	SM4030401SC	SCREW M3X0.5 L=4				1
27	G5409254000A	FIXING KNIFE				1
28	SM1041001SC	SCREW M4X0.7 L=10				2
29	G5410254000	MOVING KNIFE GUIDE				1
30	SM4030855SN	SCREW M3 L=8.0				2
31	G5411254000	MOVING KNIFE BASE				1
32	SM8050602TP	SCREW M5 L=6				1
33	G5412254000	UPPER KNIFE				1
34	11217213	ROLLER				1
35	SS4080610SP	SCREW 1/8-44 L=6.4				1
36	G5413254000	KNIFE PRESSER SPRING				1
37	GPK26004000	SWITCH PEDAL GUIDE COLLAR				1
38	B242328000E	MOVING KNIFE WASHER E				1
39	SS6092420SP	SCREW 9/64-40 L=23.5				1
40	G5414254000	ROD END				1
41	SM6041402TP	SCREW M4 L=14				1
42	PA1004513A0	AIR CYLINDER				1
43	PJ304040504	ELBOW UNION				2
44	G5415254000	CYLINDER ADJUSTING COLLAR				1
45	SM6041002TP	SCREW M4 L=10				1
46	SM8040602TP	SCREW M4X0.7 L=6				1
47	G5416254000	CYLINDER PIN				1

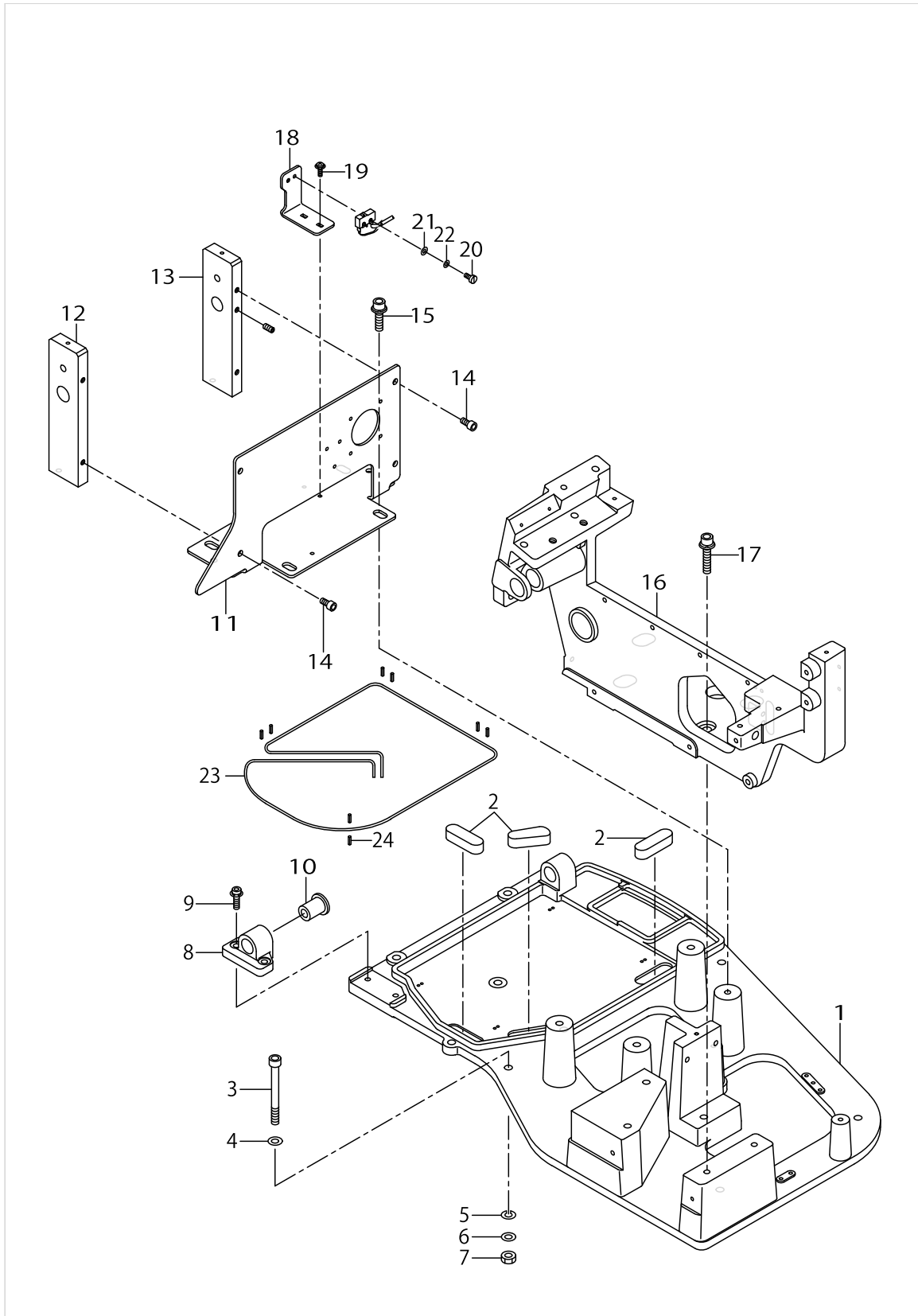
KNIFE COMPONENTS



KNIFE COMPONENTS

No.	Parts No.	Parts name	Remarks	Level	Cons	Qty
48	G5417254000	CLOTH CUT SUPPORT				1
49	SM6030402TP	SCREW M3X0.5 L=4				2
50	SL6083092TN	SCREW				2
51	SL4030631SC	SCREW M3X6				2
52	G5418254000	LOOP GUIDE B				1
53	WP0320501SD	WASHER				2
54	SM6030502TP	BOLT M3X5				2
55	G5419254000	KNIFE UNIT GUIDE RAIL				1
56	SL6083092TN	SCREW				2
57	G5422254000	LOOP WIDTH KNIFE POSITION SEAL				1
58	22571400	CAM ROLLER, D				2
59	SM6087002TN	SCREW M8 L=70				2
60	WS0820002KN	SPRING WASHER M8				2
61	WP0841601SC	WASHER 8.4X17.4X1.6				2
62	G5063254000	FORK WIDTH SCALE PLATE				1
63	D2588L8WB00	ROLLER SHAFT				1
64	D2587L8WB00	ROLLER				1
65	G5424254000	FIXING KNIFE GUIDE PLATE				1
66	WP0982616SP	WASHER 9.8X24.0X2.6				2

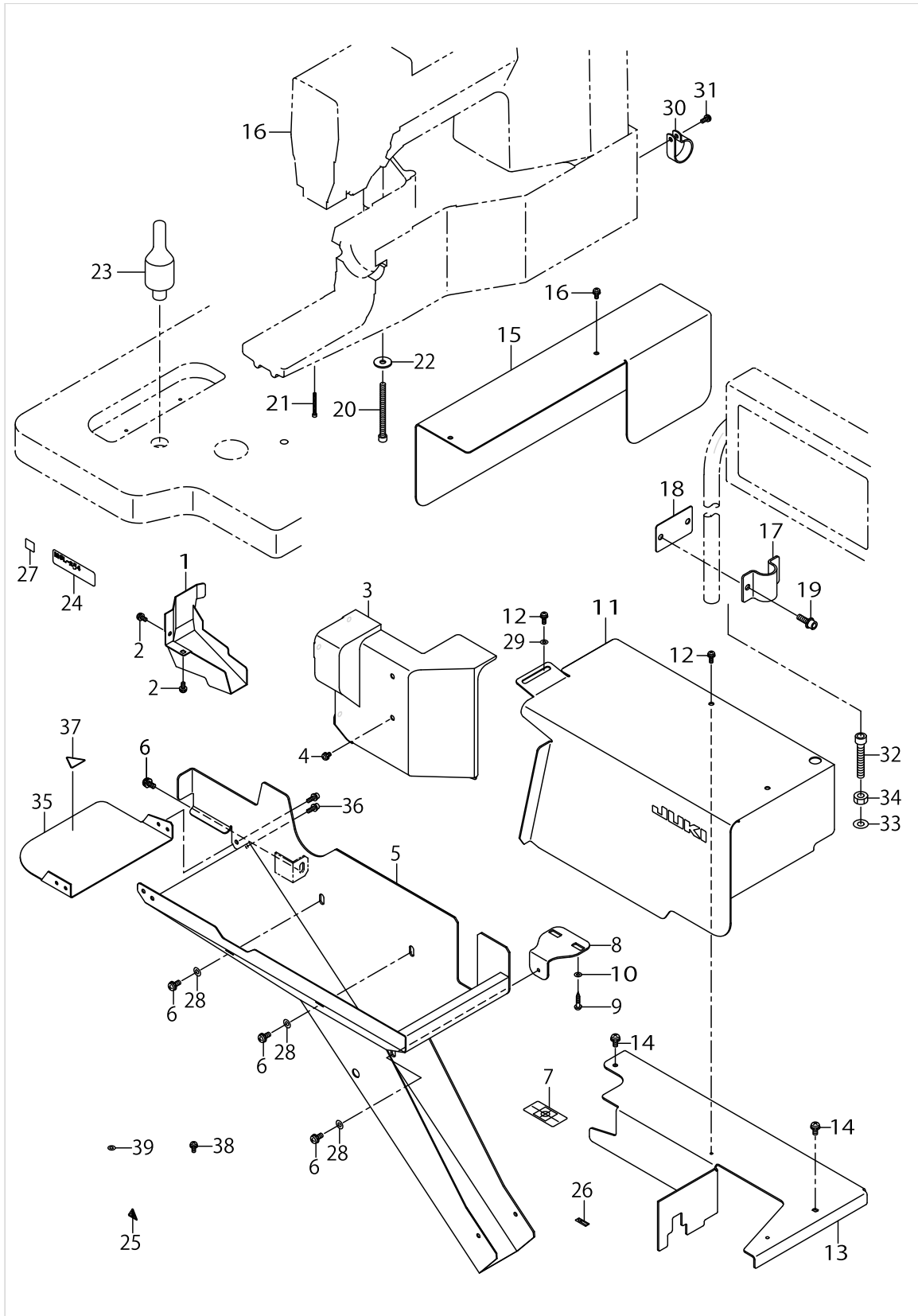
SUPPLYING DEVICE BASE COMPONENTS



SUPPLYING DEVICE BASE COMPONENTS

No.	Parts No.	Parts name	Remarks	Level	Cons	Qty
1	G5501254000	BASE PLATE				1
2	B1104280000	VIBRATION-PROOF RUBBER PAD				3
3	SM6087002TN	SCREW M8 L=70				6
4	WP0841601SC	WASHER 8.4X17.4X1.6				6
5	WP0852086SC	WASHER M8				6
6	WS0820002KN	SPRING WASHER M8				6
7	NM6080001SC	NUT M8X1.25				6
8	G5506254000	FRAME FIXING HINGE				1
9	SL6062042TN	BOLT				2
10	G5507254000	BASE PLATE BUSH				2
11	G5503254000	CLAMP FEED BASE PLATE				1
12	G5504254000	CLAMP FEED PLATE,FRONT				1
13	G5505254000	CLAMP FEED PLATE,REAR				1
14	SM6061202TR	HOLED BOLT				6
15	SL6083092TN	SCREW				4
16	G5502254000	LOOP SUPPLY FRAME				1
17	SL6084092TN	BOLT				4
18	G5508254000	SWITCH INSTALLING PLATE				1
19	SL4041291SC	SCREW M4 L=12				2
20	SS6111010SP	SCREW 11/64-40 L= 9.5				1
21	WP0450801SD	WASHER 4.5X10X0.8				1
22	WS0451040KP	SPRING WASHER 4.5X8.5X1				1
23	CQ252200000	OIL WICK				1.5
24	PS0300102K0	SPRING PIN 3.0X10				8

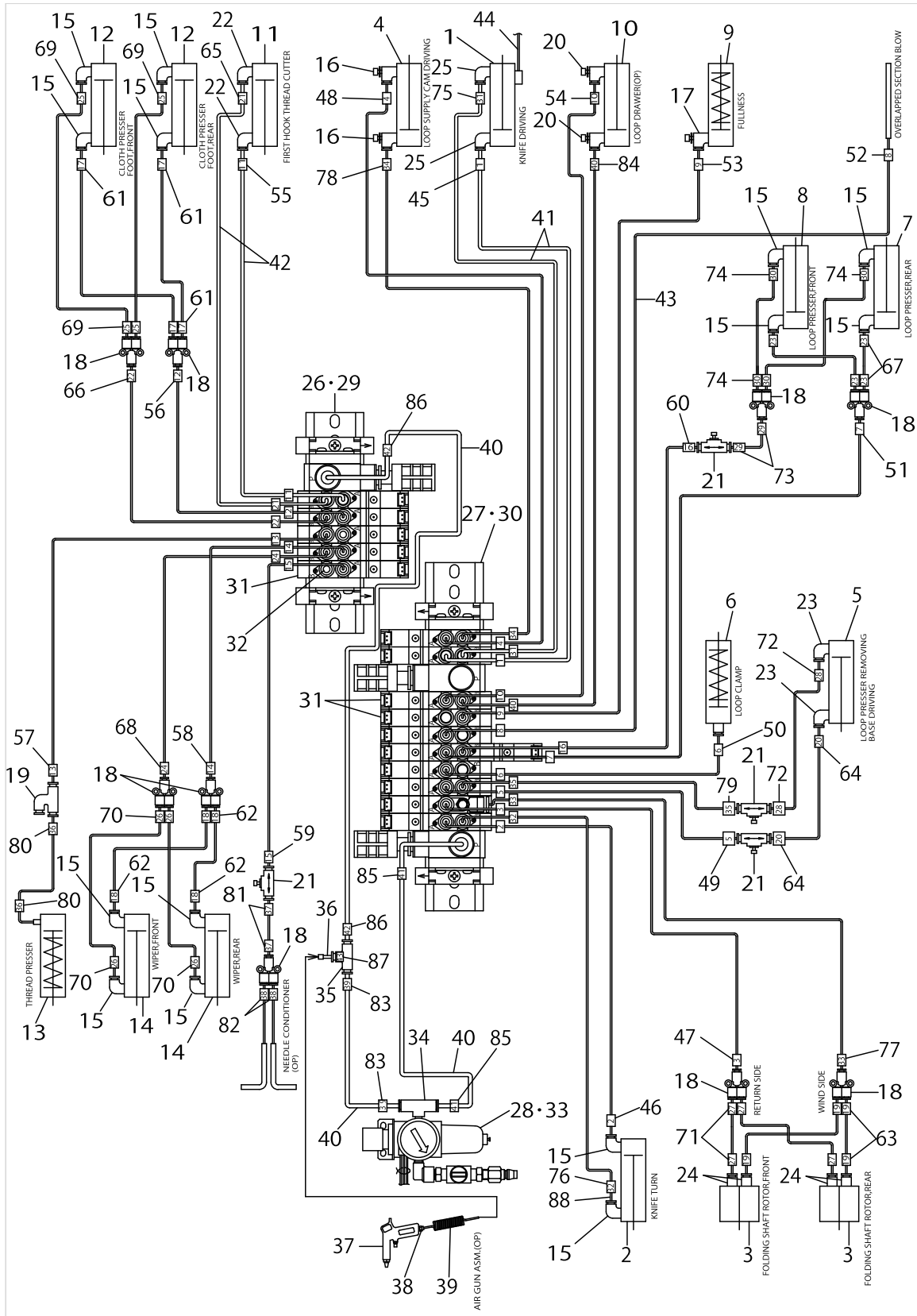
FACING & FILTER COMPONENTS



FACING & FILTER COMPONENTS

No.	Parts No.	Parts name	Remarks	Level	Cons	Qty
1	G5551254000	CHIP COVER				1
2	SL4041091SC	SCREW M4 L=10				2
3	40184386	GEAR COVER				1
4	SL4041091SC	SCREW M4 L=10				5
5	G5553254000A	CLOTH WASTE SUPPORT				1
6	SL4051291SC	SCREW M5X0.8 L=12				4
7	16870206	GRAVITY SEAL				1
8	G5554254000	CLOTH WASTE SUPPORT STAY				1
9	SK3412001SC	WOOD SCREW D=4.1 L=20				2
10	WP0501046SC	WASHER 5 X 13 X 1				2
11	40184385	SUPPLY FRAME COVER				1
12	SL4041091SC	SCREW M4 L=10				3
13	40184384	CHIP BOARD				1
14	SL4051291SC	SCREW M5X0.8 L=12				2
15	G5557254000	CLAMP FEED BRACKET COVER				1
16	SL4041091SC	SCREW M4 L=10				2
17	G1015192000	CLAMP				1
18	G5558254000	OPERATION PANEL RUBBER				1
19	SL6062092TN	SCREW M6 L=20				2
20	SM6067552TP	HEXAGONAL-HOLE BOLT M6 L=75				2
21	SM6062002TP	SCREW M6 L=20				1
22	WP0612516SD	WASHER 6.1X15.2X2.5				3
23	14101208	HEAD SUPPORT BAR				1
24	G5559254000	PLATE				1
25	CM300200001	ATTENTION SEAL				6
26	B1140761000	OILING LABEL				9
27	CM600100101	WEEE MARK LABEL S	FOR JE			1
28	WP0501046SC	WASHER 5 X 13 X 1				3
29	WP0501046SC	WASHER 5 X 13 X 1				1
30	HX00150000N	CABLE CLIP				1
31	SL4041091SC	SCREW M4 L=10				1
32	SM6085002TN	BOLT				1
33	WP0841601SC	WASHER 8.4X17.4X1.6				1
34	NM6080001SC	NUT M8X1.25				1
35	G5563254000	CLOTH WASTE FRONT CATCH				1
36	SL4041291SC	SCREW M4 L=12				2
37	CM300200002	CAUTION LABEL(25)				1
38	SL4041091SC	SCREW M4 L=10				8
39	WP0501046SC	WASHER 5 X 13 X 1				1

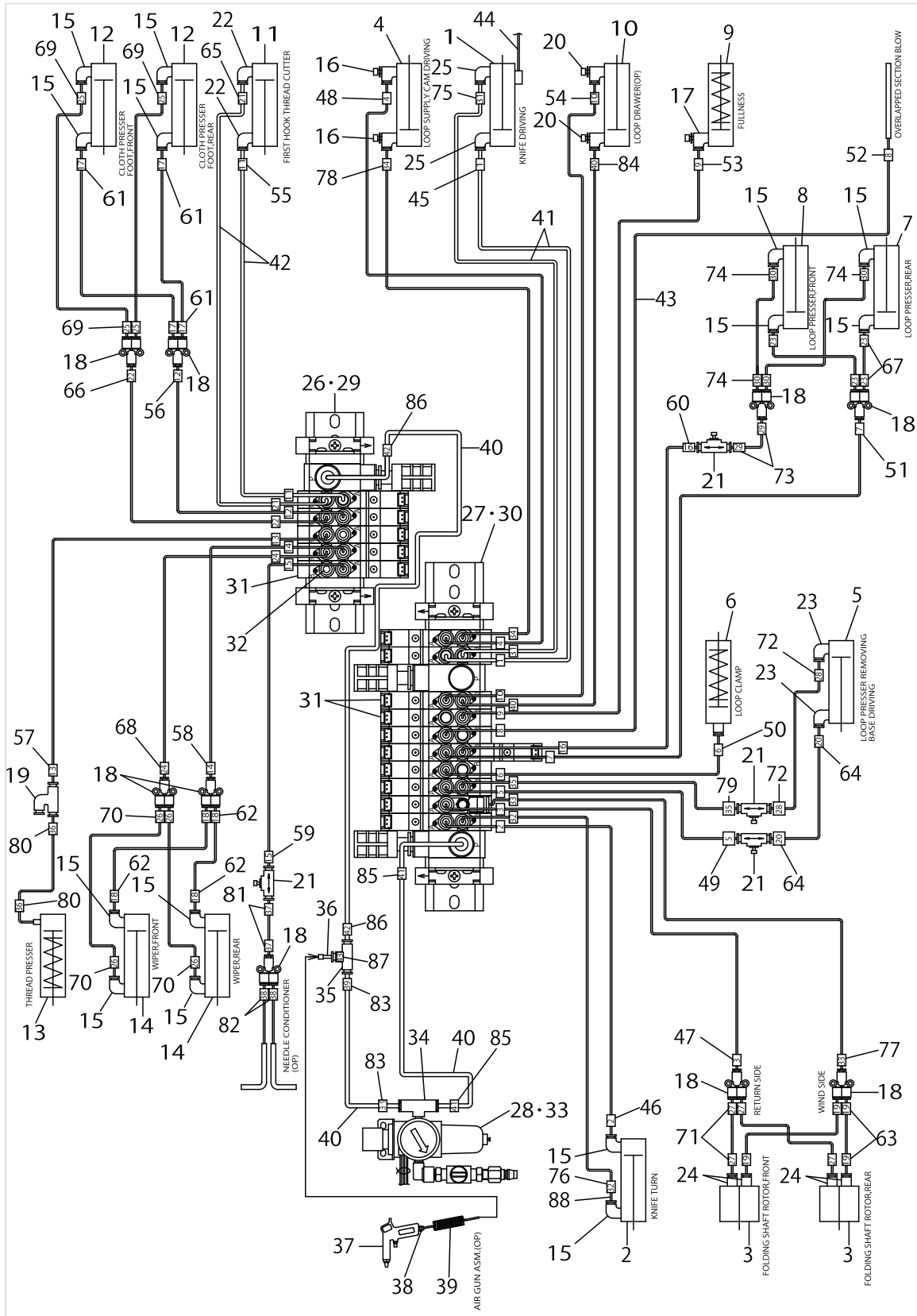
PNEUMATIC COMPONENTS



PNEUMATIC COMPONENTS

No.	Parts No.	Parts name	Remarks	Level	Cons	Qty
1	PA3201503A0	AIR CYLINDER				1
2	PA1004513A0	AIR CYLINDER				1
3	G5061254000	FOLDING SHAFT ROTOR				2
4	PA1602006A0	AIR CYLINDER				1
5	PA1602005A0	AIR CYLINDER				1
6	PA1001025A0	PIN CYLINDER				1
7	PA1005501A0	CYLINDER				1
8	PA1005501A0	CYLINDER				1
9	PA1003003A0	PEN CYLINDER				1
10	PA2015005A0	AIR CYLINDER				1
11	PA1501515A0	AIR CYLINDER				1
12	PA1002507A0	AIR CYLINDER				2
13	PA060101500	AIR CYLINDER				1
14	PA1004001A0	AIR CYLINDER				2
15	PJ304040504	ELBOW UNION				14
16	PC010508000	SPEED CONTROLLER				2
17	PC010507000	SPEED CONTROLLER				1
18	PJ308040007	UNION Y				4
19	PV010014000	QUICK EXHAUST VALVE				1
20	PC015108000	SPEED CONTROLLER				2
21	PC012406000	SPEED CONTROLLER				4
22	PJ046054002	HOSE ELBOW				2
23	PJ304040506	ELBOW UNION				2
24	PJ032059006	BARB JOINT				4
25	PJ304065101	ELBOW UNION 6XPT1/8				2
26	SL4041091SC	SCREW M4 L=10				2
27	SL6051292TN	BOLT				2
28	SL6051292TN	BOLT				2
29	G56012540A0	SOLENOID VALVE A ASM.				1
30	G56022540A0	SOLENOID VALVE B ASM.				1
31	PV150209000	5 PORT SOLENOID VALVE				3
32	PX500014000	PLUG				2
33	G56042540A0	FILTER REGULATER ASM.				1
34	PJ308085202	UNION Y				1
35	PJ305080001	PIPE TEE				1
36	PX950001000	PLUG				1
37	16111403	AIR GUN				1
38	PJ301065103	HALF UNION 6XPT1/8				1
39	G5458116000	CURLED TUBE				1
40	BT0800501EB	VINYL TUBE				3
41	BT0600401EB	TUBE				2
42	BT0600401EF	TUBE				0.6
43	BT0400251EB	URETHANE HOSE, BLACK				20
44	G54212540A0	KNIFE LOWERING SENSOR ASM.				1
45	18035006	CABLE MARK NO.1				4
46	18035105	WIRE MARK (2)				4
47	18035204	WIRE MARK (3)				4

PNEUMATIC COMPONENTS



PNEUMATIC COMPONENTS

No.	Parts No.	Parts name	Remarks	Level	Cons	Qty
48	18035303	WIRE MARK (4)				4
49	18035402	WIRE MARK (5)				4
50	18035501	WIRE MARK (6)				4
51	18035600	WIRE MARK (7)				4
52	18035709	WIRE MARK (8)				4
53	18035808	WIRE MARK (9)				4
54	18035907	WIRE MARK (10)				4
55	18036004	WIRE MARK				1
56	18036103	WIRE MARK (12)				4
57	18036202	WIRE MARK (13)				4
58	18036301	WIRE MARK (14)				4
59	18036400	WIRE MARK (15)				4
60	18036509	WIRE MARK (16)				4
61	18036608	WIRE MARK (17)				8
62	18036707	WIRE MARK (18)				8
63	18036806	WIRE MARK (19)				8
64	18036905	WIRE MARK (20)				4
65	18037002	WIRE MARK (21)				4
66	18037101	WIRE MARK (22)				4
67	18037200	WIRE MARK (23)				8
68	18037309	WIRE MARK (24)				4
69	18037408	WIRE MARK (25)				8
70	18037507	WIRE MARK 26				8
71	18037606	WIRE MARK 27				8
72	18037705	WIRE MARK (28)				4
73	18037804	WIRE MARK (29)				4
74	18037903	WIRE MARK (33)				8
75	18038000	WIRE MARK (31)				4
76	18038109	WIRE MARK (32)				4
77	18038208	WIRE MARK (33)				4
78	18038307	WIRE MARK (34)				4
79	18038406	WIRE MARK (35)				4
80	18038505	WIRE MARK (36)				3
81	18038604	WIRE MARK (37)				4
82	18038703	WIRE MARK (38)				4
83	18038802	WIRE MARK (39)				4
84	18038901	WIRE MARK (40)				4
85	18039008	WIRE MARK (41)				4
86	18039107	WIRE MARK (42)				4
87	18039206	WIRE MARK (43)				1
88	PC022403F00	INSERT RING				2

TABLE COMPONENTS

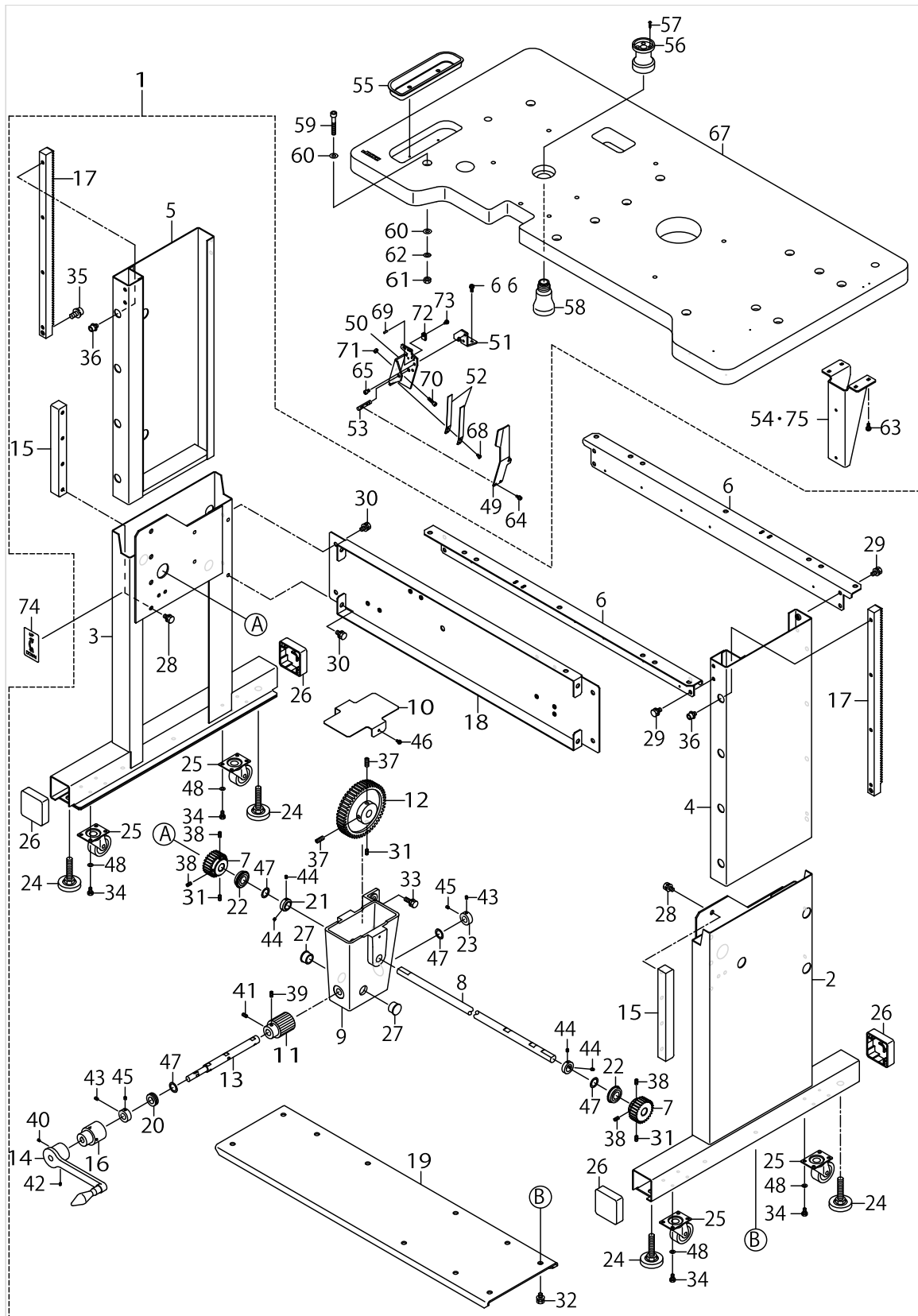


TABLE COMPONENTS

No.	Parts No.	Parts name	Remarks	Level	Cons	Qty
1	17077058	TABLE & STAND ASM.				1
2	17077009	LOWER STAND,RIGHT		*		1
3	17077108	LOWER STAND,LEFT		*		1
4	17077207	UPPER STAND,RIGHT		*		1
5	17077306	UPPER STAND,LEFT		*		1
6	17077405	UPPER SUPPORT		*		2
7	40008602	GEAR		*		2
8	40008600	WORM_WHEEL_SHAFT		*		1
9	17077710	GEAR BOX		*		1
10	17077801	GEAR BOX COVER		*		1
11	17077900	WORM		*		1
12	40008601	WORM_WHEEL		*		1
13	17078114	WORM SHAFT		*		1
14	17078213	HANDLE		*		1
15	17078304	GUIDE BAR		*		2
16	17078700	TORQUE RIMITER		*		1
17	17078502	RACK		*		2
18	B8306223C00	SIDE STRUT		*		1
19	B8307220000	LOWER STRUT A		*		1
20	GHP03217000	SHAFT HOLDER.		*		1
21	E4087172000	COLLAR		*		2
22	SB117000200	ROLLING BEARING		*		2
23	E4087172000	COLLAR		*		2
24	17833658	ADJUSTING BOLT ASM.		*		4
25	B8150221D00	CASTER		*		4
26	20243200	STAND CAP, W		*		4
27	TA2351305R0	RUBBER PLUG		*		2
28	SL9081693SE	HEXAGON SCREW WITH WASHER		*		8
29	SL9081693SE	HEXAGON SCREW WITH WASHER		*		8
30	SL9081693SE	HEXAGON SCREW WITH WASHER		*		8
31	SM8061242TP	SCREW		*		3
32	SL9081693SE	HEXAGON SCREW WITH WASHER		*		4
33	SL9082583SE	BOLT WITH WASHER		*		2
34	SM9061203SE	SCREW M6 L=12		*		16
35	SL6102042TN	SCREW		*		1
36	SL6081242TN	BOLT		*		8
37	SM8082012TN	SCREW M8 L=20		*		2
38	SM8061212TP	SCREW M6X12		*		4
39	SM8061212TP	SCREW M6X12		*		1
40	SM8040612TP	SCREW M4 L=6		*		1
41	SM8061242TP	SCREW		*		1
42	SM8040612TP	SCREW M4 L=6		*		1
43	SM8050842TP	SETSCREW		*		2
44	SM8050612TP	SCREW M5X6		*		4
45	SM8050612TP	SCREW M5X6		*		2
46	SL4041081SC	SCREW M4 L=10		*		1
47	GBR22107000	SPACER		*		4

TABLE COMPONENTS

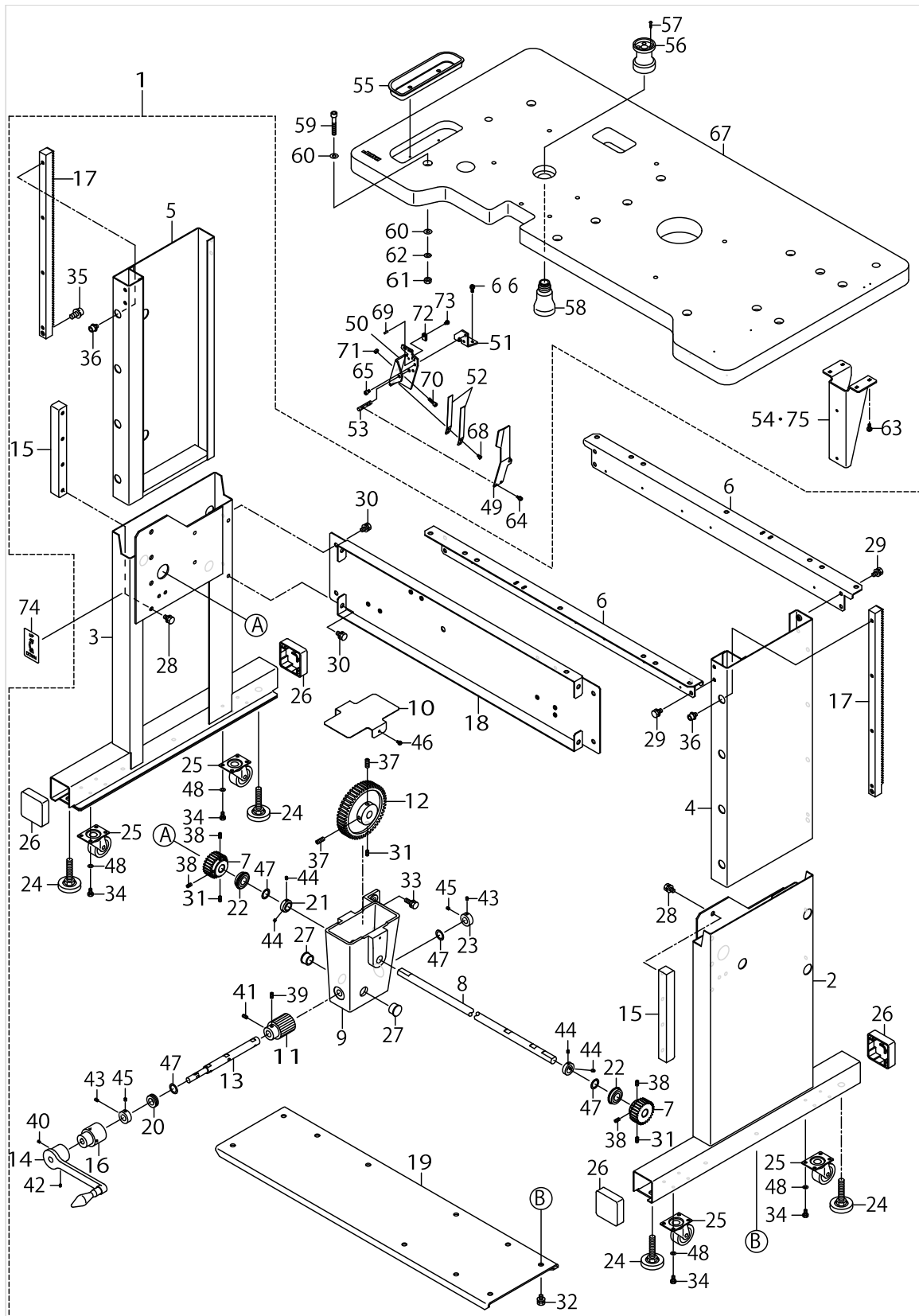
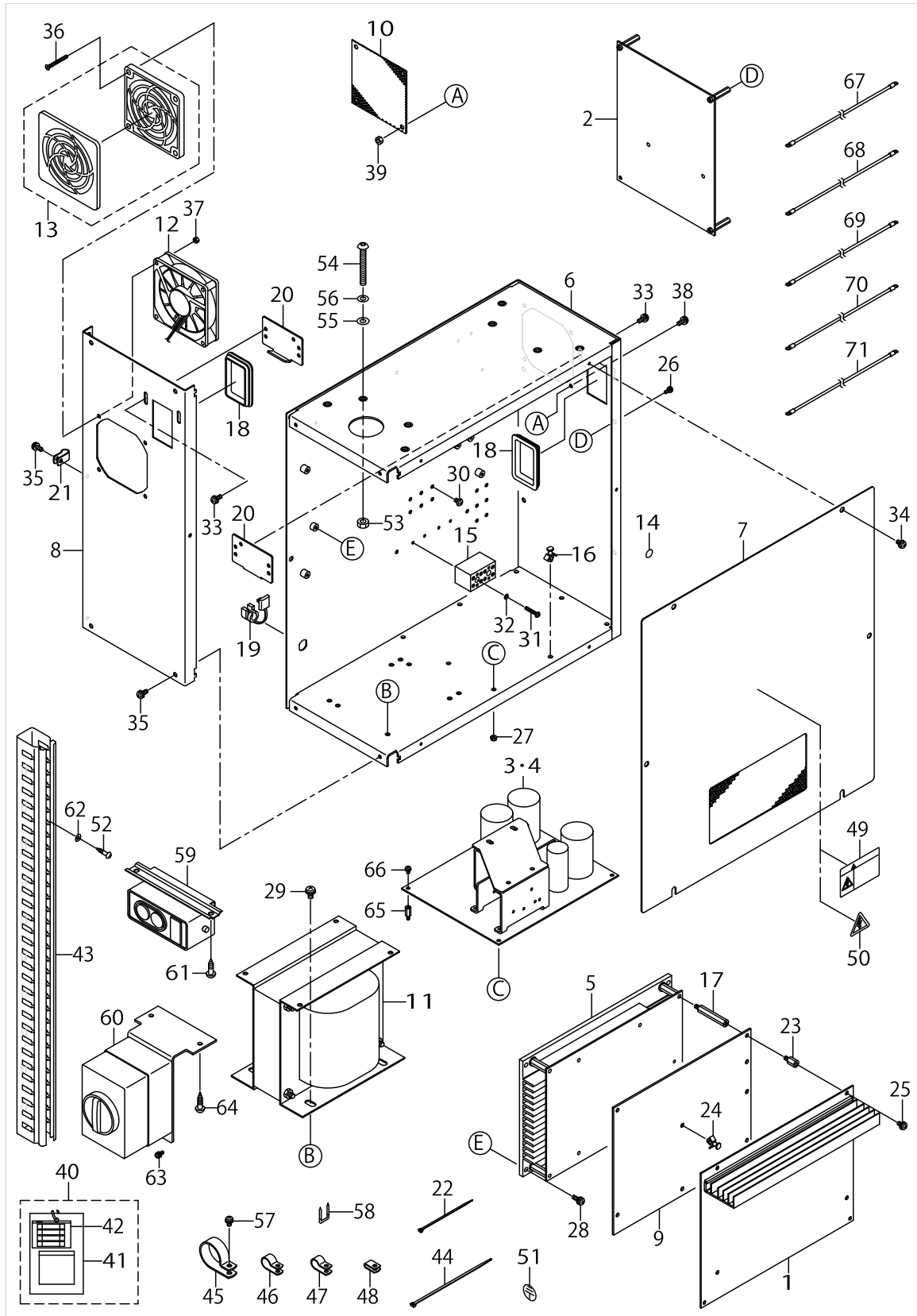


TABLE COMPONENTS

No.	Parts No.	Parts name	Remarks	Level	Cons	Qty
48	WS0610002KN	SPRING WASHER 6.1X12.2X1.5		*		16
49	17079500	START SW PLATE				1
50	17079609	START SW BRACKET A				1
51	17079708	START SW BRACKET B				1
52	17079807	START SWITCH RETURN SPRING				2
53	17079906	START SW FULCRUM SHAFT				1
54	17080110	JE POWER SW BRACKET	FOR EXPORT HIGH VOLTAGE			1
55	11156056	SMALL CASTINGS CASE ASM.				1
56	B8202205000	OIL MANAGEMENT				1
57	SK3311601SE	WOOD SCREW D=3.1 L=16				4
58	B9121012000	OIL CAN				1
59	SM6085002TN	BOLT				6
60	WP0850002SC	WASHER 8.5X18X1.6				12
61	NM6080001SC	NUT M8X1.25				6
62	WS0820002KR	SPRING WASHER, M8				6
63	SL4051485SE	BASE PLATE SETSCREW	FOR EXPORT HIGH VOLTAGE			4
64	SL6041092TN	SCREW				2
65	SM6050802TN	BOLT				2
66	SL6051292TN	BOLT				2
67	17078601	TABLE				1
68	SM6040602TN	BOLT				2
69	PS0300102K0	SPRING PIN 3.0X10				4
70	SM6052002TN	BOLT				1
71	NM6050001SC	NUT M5				1
72	HX001500000	CLIP				1
73	SL4040891SC	SCREW M4 L=8				1
74	G5564254000	DIRECTION INSTRUCTION SEAL				1
75	40184972	JE POWER SWICH BRACKET	FOR JE			1

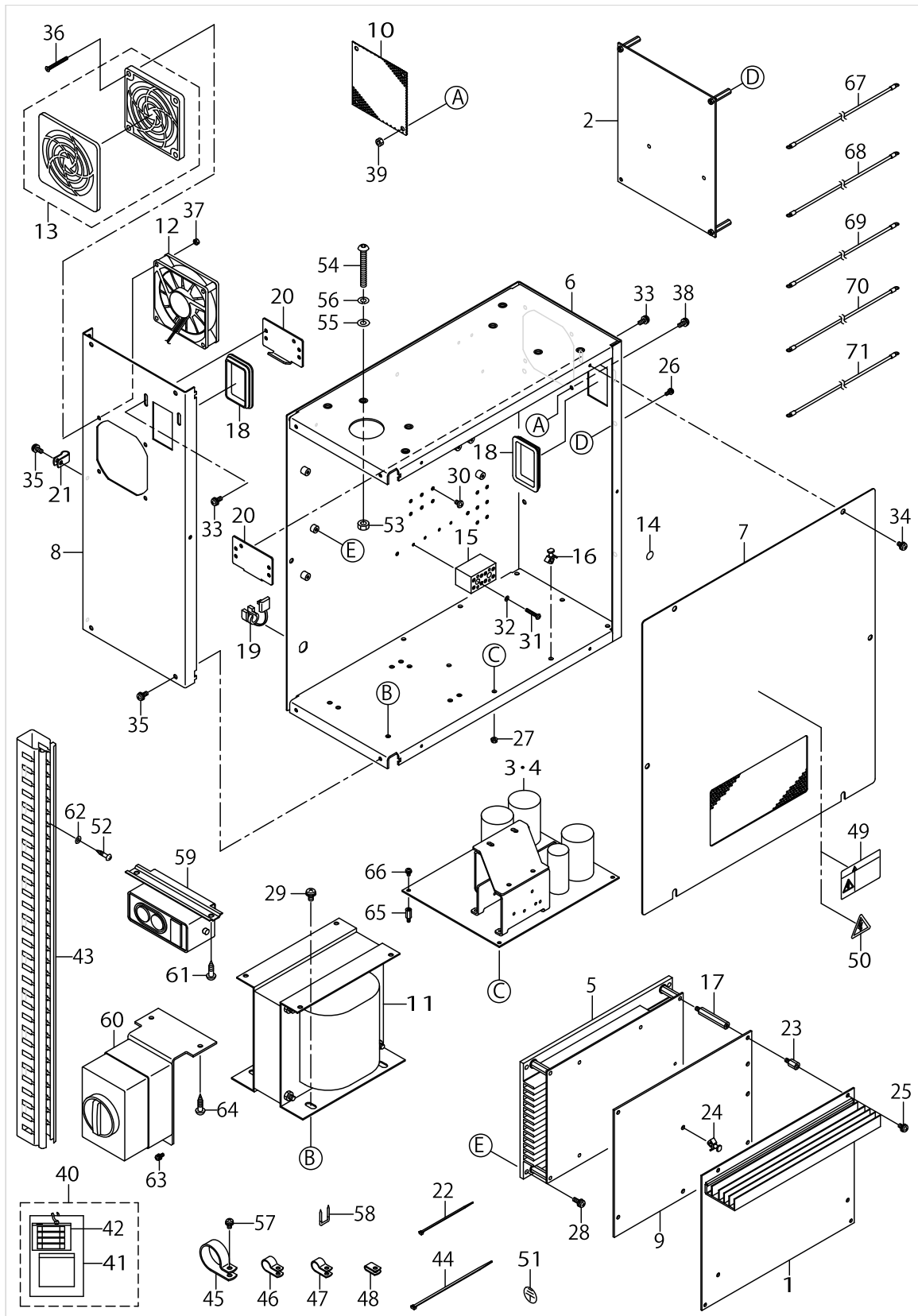
CONTROL BOX COMPONENTS



CONTROL BOX COMPONENTS

No.	Parts No.	Parts name	Remarks	Level	Cons	Qty
1	40184946	MAIN PCB ASSY				1
2	40022269	SDC PCB ASSY				1
3	M86045900C0	POWER CIRCUIT BOARD ASM.	FOR USE IN JAPAN (200V)			1
4	M8604590AC0	POWER CIRCUIT BOARD A ASM.	FOR EXPORT (LOW VOLTAGE 220~400V), FOR JE,HIGH VOLTAGE (220~400V)			1
5	40184965	PMDC PCB ASSY				1
6	40184829	CONTROL BOX				1
7	40184827	CONTROL BOX COVER ASM				1
8	M1001610000	CONTROL BOX PANEL				1
9	M1013610000	MAIN CIRCUIT BOARD PLATE				1
10	M1004581000	VENTILATION COVER				1
11	40059338	TRANSFORMER B ASM.				1
12	M85405800A0	FAN ASM.				1
13	HM000860010	FAN FILTER				1
14	E9567319000	EARTH MARK				2
15	HK054250040	TERMINAL BASE				2
16	HX00147000C	SPACER				4
17	HX00339000D	SPACER				4
18	HX004070000	BUSH				2
19	HX004100000	BUSH				1
20	17845009	CORD FITTING PLATE				2
21	HX00123000B	CABLE CLIP				1
22	EA9500B0100	CABLE BAND				11
23	HX003390000	STUD				4
24	HX00147000C	SPACER				3
25	SL4040881SF	SCREW M4 L=8				4
26	SL4030891SC	SCREW M3X8				4
27	NM3034000SF	FLANGE NUT				4
28	SL4041281SF	SCREW M4 L=12				4
29	SL4051081SF	SCREW M5 L=10				4
30	SL4040681SC	COMBINATION SCREW M4 X 8				7
31	SM4031851SR	SCREW				4
32	WS0310702KS	SPRING WASHER				4
33	SL4041091SC	SCREW M4 L=10				4
34	SL4040891SC	SCREW M4 L=8				6
35	SL4041091SC	SCREW M4 L=10				7
36	SM1033001SC	SCREW				2
37	NM6030003SC	NUT M3				2
38	SL4041091SC	SCREW M4 L=10				4
39	NM3040520SF	FLANGE NUT M4				4
40	M85996100A0A	ACCESSORIE PART ASM.				1
41	M3001140000	LABEL		*		1
42	HF0084063P0	FUSE		*		3
43	HX00013000B	WIRE HARNESS PART				0.5
44	EA9500B0200	CABLE BAND 150				5
45	EA9502B0400	CABLE CLIP E				1
46	HX00150000F	CABLE CLIP				2

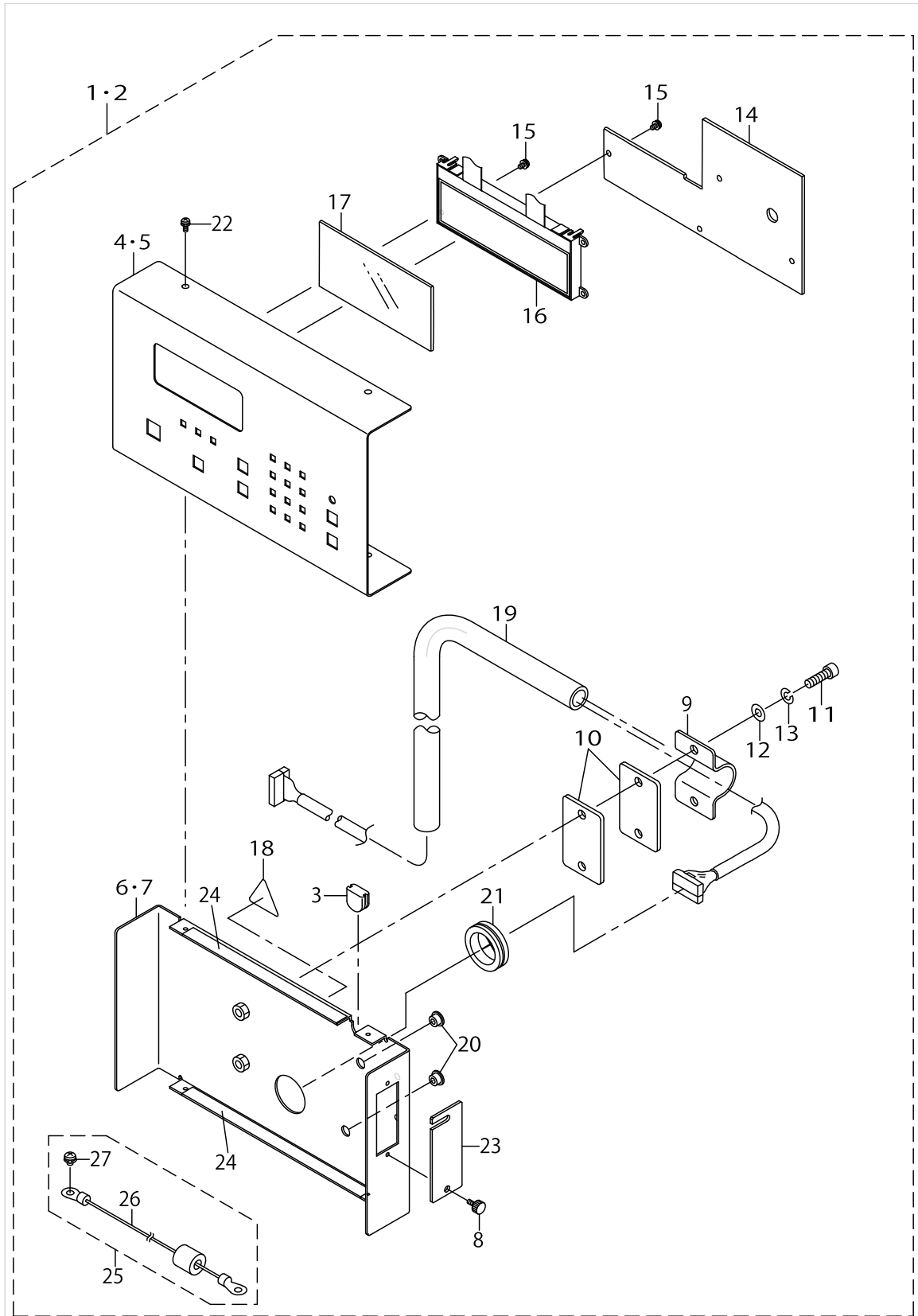
CONTROL BOX COMPONENTS



CONTROL BOX COMPONENTS

No.	Parts No.	Parts name	Remarks	Level	Cons	Qty
47	HX00150000D	CABLE CLIP				2
48	HX001500000	CLIP				2
49	CM300100101	DANGER LABEL (SMALL)	FOR USE IN JAPAN (200V)			1
50	CM300100001	LABEL	FOR EXPORT (LOW VOLTAGE 220~400V), FOR JE,HIGH VOLTAGE (220~400V)			1
51	E9567319000	EARTH MARK				4
52	SK3382001SE	SCREW D=3.8 L=20				2
53	NM6060001SC	NUT M6				3
54	SM3065052TC	SCREW				4
55	WP0612056SE	WASHER 6.1X18.5X2				4
56	WS0610002KN	SPRING WASHER 6.1X12.2X1.5				4
57	SL4040891SC	SCREW M4 L=8				9
58	MAO11532000	CORD STAPLE				2
59	HA004250000	SWITCH	FOR USE IN JAPAN (200V), FOR EXPORT (LOW VOLTAGE 200~240V)			1
60	HA005820000	SWITCH	FOR JE,HIGH VOLTAGE (220~400V) J			1
61	SK3512001SF	WOOD SCREW	FOR USE IN JAPAN (200V), FOR EXPORT (LOW VOLTAGE 200~240V)			2
62	WP0450826SC	WASHER 4.5X10X0.8				2
63	SL4051485SE	BASE PLATE SETSCREW	FOR JE,HIGH VOLTAGE (220~400V) J			2
64	SK3482001SE	WOOD SCREW D=4.8 L=20	FOR JE,HIGH VOLTAGE (220~400V) J			4
65	HX00056000B	SPACER				4
66	SL4030681SF	SCREW M3 L=6				4
67	40066162	EARTH CORD B ASM				1
68	G85142860A0	FRAME EARTH CORD ASM.				1
69	40181667	EARTH CORD C ASM	FOR JE			1
70	40184962	EARTH CORD D ASM	FOR JE			1
71	40184968	EARTH CORD E ASM	FOR JE			1

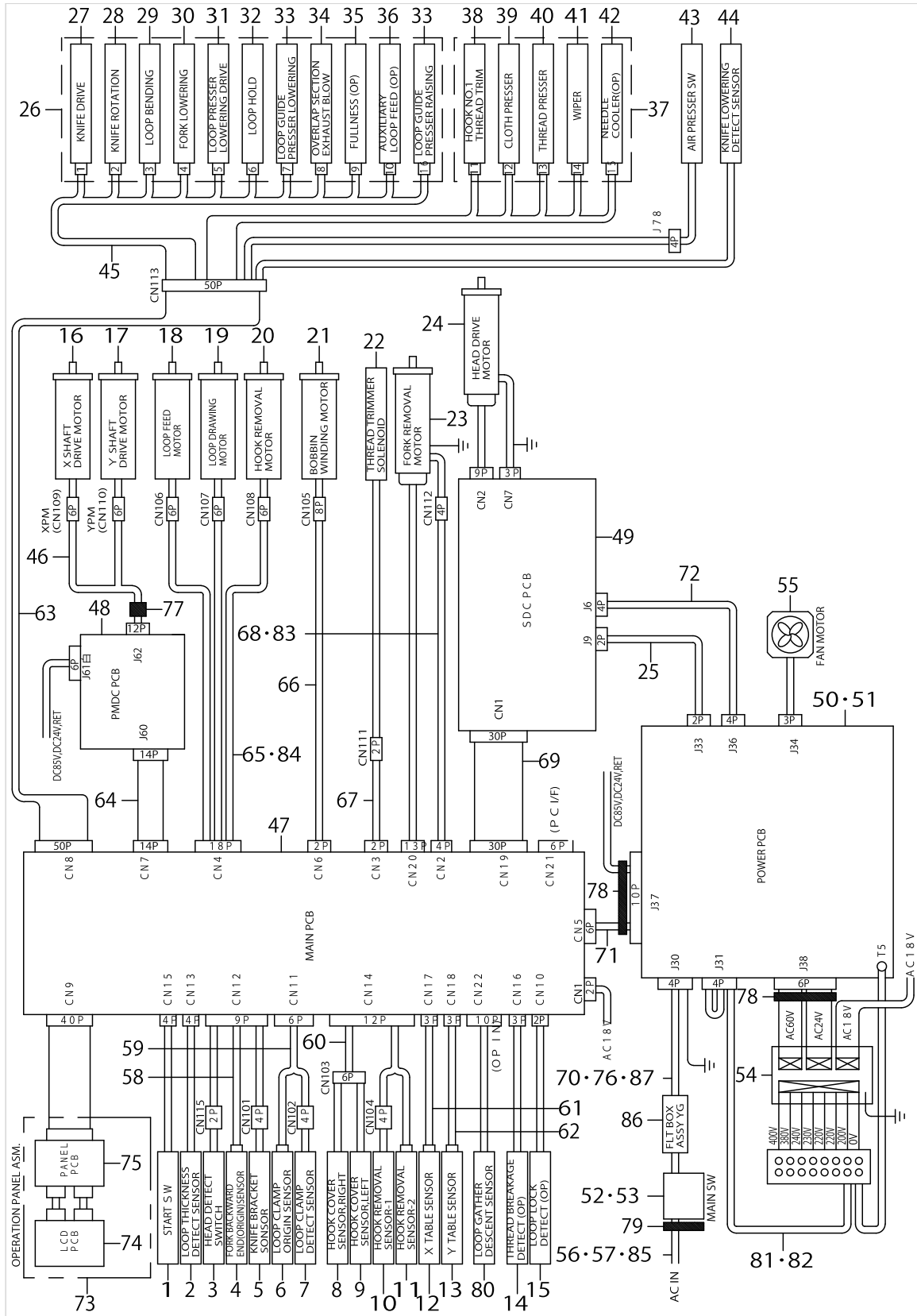
OPERATION BOX COMPONENTS



OPERATION BOX COMPONENTS

No.	Parts No.	Parts name	Remarks	Level	Cons	Qty
1	40039939	OPERATION PANEL ASM.	EXCEPT FOR JE			1
2	40184892	OPERATION PANEL CE ASM	FOR JE			1
3	M1001060000	PLUG		*		1
4	40081043	PRINTED PANEL FRONT COVER	EXCEPT FOR JE	*		1
5	40184974	PRINTED PANEL FRONT COVER CE	FOR JE	*		1
6	40098648	PANEL REAR COVER	EXCEPT FOR JE	*		1
7	40184865	PANEL REAR COVER	FOR JE	*		1
8	G6010003000	KNOB SCREW		*		2
9	G1015192000	CLAMP		*		1
10	G1016192000	CLAMP BOTTOM PLATE		*		2
11	SM6062002TN	SCREW M6 L=20		*		2
12	WP0641601SC	WASHER		*		2
13	WS0610002KN	SPRING WASHER 6.1X12.2X1.5		*		2
14	40039936	PANEL PCB ASSY		*		1
15	SL4030681SC	SCREW M3 L=6		*		10
16	KG000000140	LCD		*		1
17	40059352	LCD COVER		*		1
18	CM300100001	LABEL		*		1
19	40060972	PANEL CABLE ASM.		*		1
20	TA0800504R0	PLUG D=8 L=4.5		*		2
21	HX00221000E	BUSH		*		1
22	SL4030891SC	SCREW M3X8		*		4
23	G1014192000	SWITCH COVER		*		1
24	HX002680000	CONDUCTIVE TAPE	FOR JE	*		0.4
25	40066161	EARTH CORD A ASM		*		1
26	HN002100000	CORES		*		1
27	SL4040681SC	SCREW M4 L=6		*		1

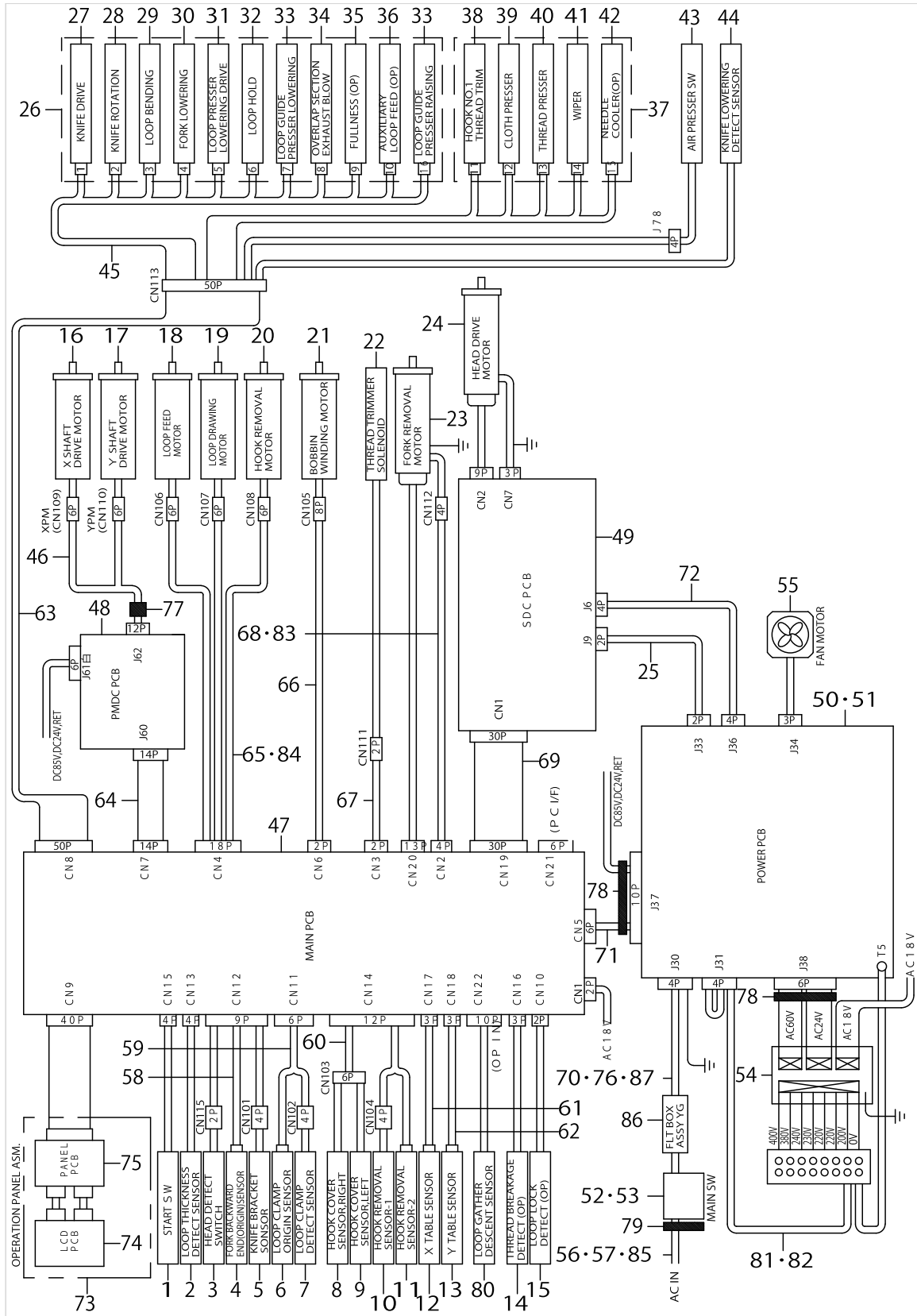
WIRING DIAGRAM



WIRING DIAGRAM

No.	Parts No.	Parts name	Remarks	Level	Cons	Qty
1	M85156100A0	START SWITCH ASM.				1
2	40059335	LOOP SENSOR C ASM.				1
3	M85986100A0	HED DETECT SW ASM.				1
4	HD001350000	SENSOR				1
5	M85916100A0	KNIFE BRACKET SENSOR ASM.				1
6	HD001350000	SENSOR				1
7	M85926100A0	LOOP CLAMP DETECT SENSOR ASM.				1
8	14400451	HOOK COVER SENSOR CABER ASM.				1
9	14400451	HOOK COVER SENSOR CABER ASM.				1
10	14423651	HOOK REMDVAL SENSOR 1				1
11	HD00057000A	PHOTO SENSOR				1
12	HD00057000A	PHOTO SENSOR				1
13	HD00057000A	PHOTO SENSOR				1
14	M85166100A0	THREAD BREAKAGE DETECT CABLE ASM.				1
15	M85106100A0	LOOP LOCK DETECT SWITCH ASM.				1
16	14410203	X FEED STEPPING MOTOR				1
17	14410104	Y FEED STEPPING MOTOR				1
18	G5230254000	FEED-OUT MOTOR				1
19	G5230254000	FEED-OUT MOTOR				1
20	G5230254000	FEED-OUT MOTOR				1
21	13870266	BOBBIN THREAD WINDING DEVICE ASM.				1
22	14108906	SOLENOID FOR THREAD TRIMMING				1
23	G5001254000	UNIT SERVO MOTOR				1
24	40098090	SERVO MOTOR 550W				1
25	M90025800A0	SERVO POWER CORD ASM.,B				1
26	G56022540A0	SOLENOID VALVE B ASM.				1
27	PV150209200	5-PORT SOLENOID VALVE		*		1
28	PV150209000	5 PORT SOLENOID VALVE		*		1
29	PV150209100	SOLENOID VALVE		*		1
30	PV150209000	5 PORT SOLENOID VALVE		*		1
31	PV150209000	5 PORT SOLENOID VALVE		*		1
32	PV150209000	5 PORT SOLENOID VALVE		*		1
33	PV150210000	5 PORT SOLENOID VALVE		*		1
34	PV150209000	5 PORT SOLENOID VALVE		*		1
35	PV150209000	5 PORT SOLENOID VALVE		*		1
36	PV150209000	5 PORT SOLENOID VALVE		*		1
37	G56012540A0	SOLENOID VALVE A ASM.				1
38	PV150209000	5 PORT SOLENOID VALVE		*		1
39	PV150209000	5 PORT SOLENOID VALVE		*		1
40	PV150209000	5 PORT SOLENOID VALVE		*		1
41	PV150209000	5 PORT SOLENOID VALVE		*		1
42	PV150209000	5 PORT SOLENOID VALVE		*		1
43	G56042540A0	FILTER REGULATER ASM.				1
44	G54212540A0	KNIFE LOWERING SENSOR ASM.				1
45	G56032540A0	SOLENOID VALVE CABLE ASM.				1
46	M85626100A0	XY MOTOR RELAY CABLE ASM.				1
47	40059340	MAIN PCB ASSY				1

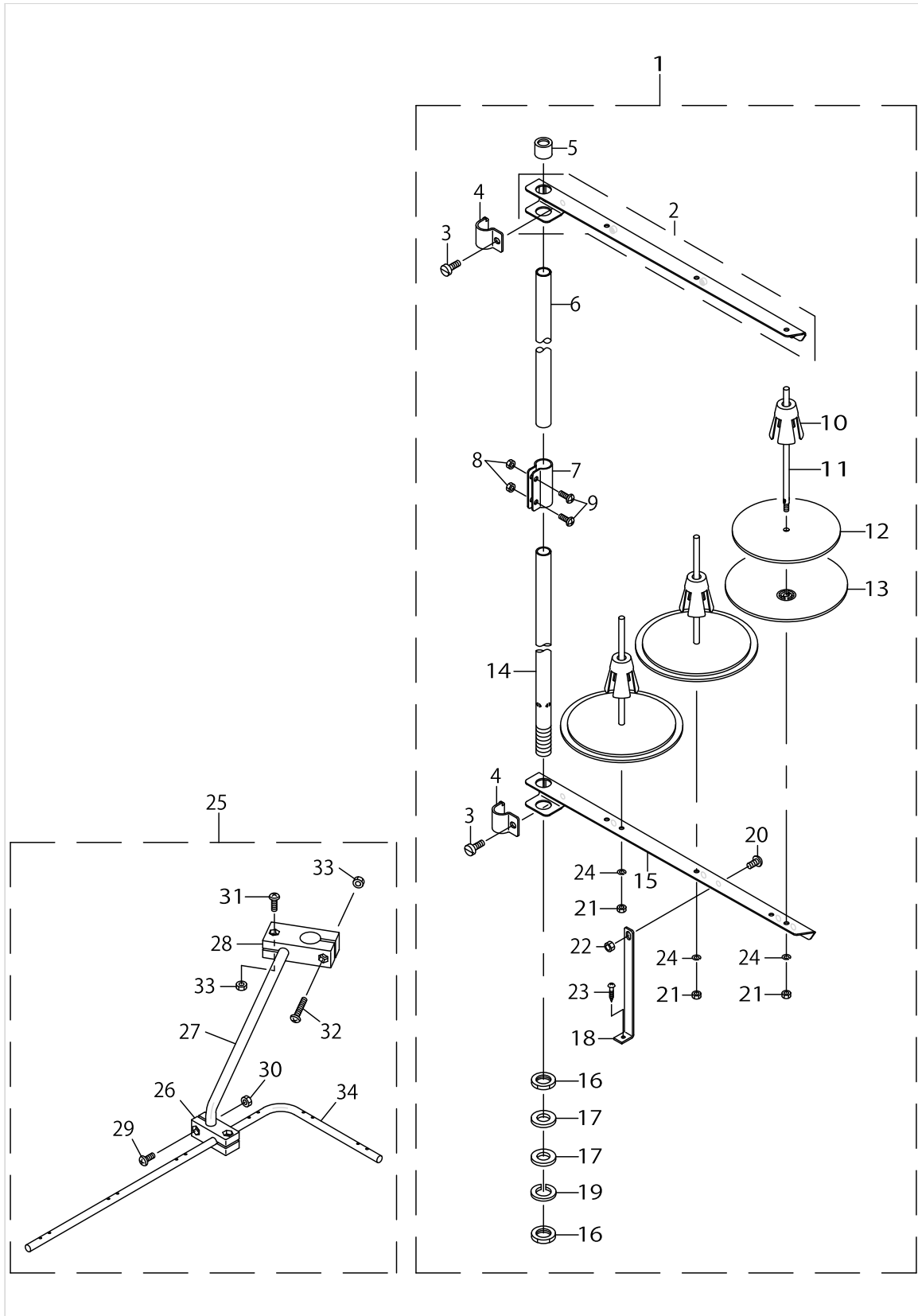
WIRING DIAGRAM



WIRING DIAGRAM

No.	Parts No.	Parts name	Remarks	Level	Cons	Qty
48	40059356	PMDC PCB ASSY				1
49	40059355	SDC PCB ASSY				1
50	M86045900C0	POWER CIRCUIT BOARD ASM.	FOR USE IN JAPAN (200V)			1
51	M8604590AC0	POWER CIRCUIT BOARD A ASM.	FOR EXPORT (LOW VOLTAGE 200~240V), FOR JE,HIGH VOLTAGE (220~400V)			1
52	HA004250000	SWITCH	FOR USE IN JAPAN (200V), FOR EXPORT (LOW VOLTAGE 200~240V)			1
53	HA00303000A	SWITCH	FOR JE,HIGH VOLTAGE (220~400V) J			1
54	40059338	TRANSFORMER B ASM.				1
55	M85405800A0	FAN ASM.				1
56	M90175800A0	POWER CABLE ASM.	FOR USE IN JAPAN (200V), FOR EXPORT (LOW VOLTAGE 200~240V)			1
57	G85122980A0	POWER CABLE ASM.	FOR JE,HIGH VOLTAGE (220~400V) J			1
58	M85126100A0	SUPPLYDEVICESENSORCABLEASM.				1
59	M85116100A0	LOOP CLAMP SENSOR RELAY CABLE ASM.				1
60	M85146100A0	HOOK SENSOR RELAY CABLE ASM.				1
61	14410658	X SENSOR CABLE ASM.				1
62	14410559	Y SENSOR CABLE ASM.				1
63	M85086100A0	SOLENOID VALVE RELAY CABLE ASM				1
64	M85076100A0	PMDC I/F CABLE ASM.				1
65	M85046100A0	STEPPINGMOTORRELAYCABLEASM	EXCEPT FOR JE			1
66	M85066100A0	BOBBIN WINDER RELAY CABLE ASM.				1
67	M85036100A0	THREAD TRIM MAGNET RELAY CABLE ASM.				1
68	M85026100A0	FORK MOTOR RELAY CABLE ASM.	EXCEPT FOR JE			1
69	40059336	SDC I/F CABLE ASM.				1
70	40059500	AC POWER CABLE ASM. D	FOR USE IN JAPAN (200V), FOR EXPORT (LOW VOLTAGE 200~240V)			1
71	M90055800A0	MP POWER CORD ASM.				1
72	40059337	SERVO POWER CORD B ASM.				1
73	40039939	OPERATION PANEL ASM.				1
74	KG000000140	LCD		*		1
75	40039936	PANEL PCB ASSY		*		1
76	40059501	AC POWER CABLE ASM. E	FOR JE,HIGH VOLTAGE (220~400V) J			1
77	HN001490000	CLAMP FILTER(L)	FOR JE,HIGH VOLTAGE (220~400V) J			1
78	HN00179000C	FERRITE CLAMP	FOR JE,HIGH VOLTAGE (220~400V) J			2
79	HA004860010	SWITCH CLAMP	FOR JE,HIGH VOLTAGE (220~400V) J			1
80	M85226100A0	LOOP GATHER DESCENT SEN. ASM.				1
81	40059354	TRANSFORMER POWER CORD ASM.	FOR USE IN JAPAN (200V)			1
82	M9020580AA0	TRANSFORMERPOWERCORD ASM.,A	FOR EXPORT (LOW VOLTAGE 200~240V), FOR JE,HIGH VOLTAGE (220~400V)			1
83	40183431	FORK MOTOR RELAY CABLE ASM. CE	FOR JE			1
84	40183432	STEPPING MOTOR RELAY CABLE ASM. CE	FOR JE			1
85	40096035	POWER CABLE 1P ASSY	FOR JE			1
86	40181503	FLT BOX ASSY YG	FOR JE			1
87	40181841	AC POWER CORD E ASM	FOR JE			1

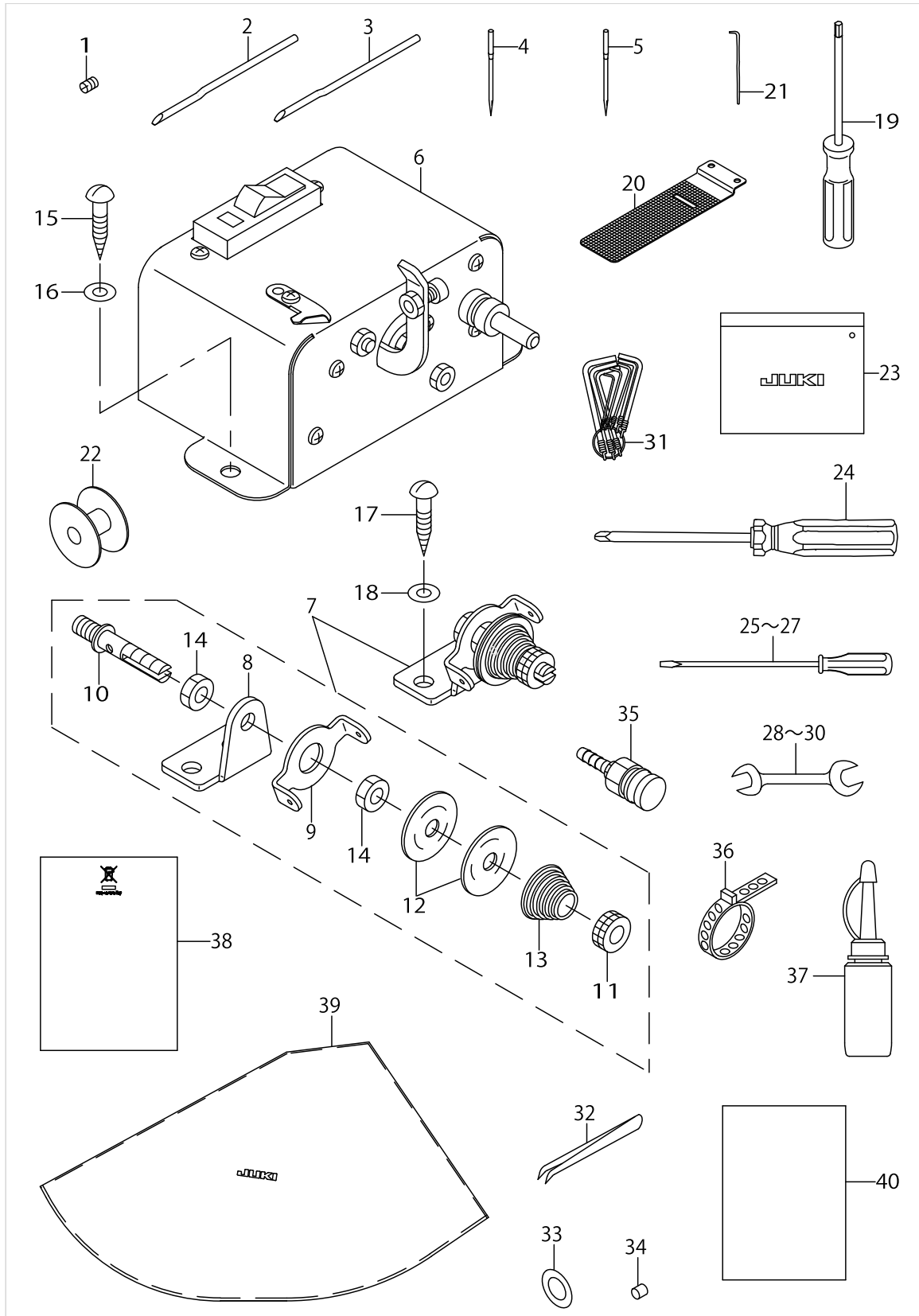
THREAD STAND COMPONENTS



THREAD STAND COMPONENTS

No.	Parts No.	Parts name	Remarks	Level	Cons	Qty
1	26105551	THREAD STAND ASM.				1
2	13168356	THREAD STANDING ARM ASM. ,LONG		*		1
3	SM6061610SC	SCREW M6 L=16		*		2
4	22930705	THREAD GUIDE ARM JOINT		*		2
5	22931406	SPOOL REST ROD RUBBER CAP		*		1
6	22930408	SPOOL REST ROD, UPPER		*		1
7	22931307	SPOOL REST ROD JOINT		*		1
8	NM6050001SE	NUT M5		*		2
9	SM4051405SE	SCREW M5 L=14		*		2
10	22931109	SPOOL RETAINER		*		3
11	22931000	SPOOL PIN		*		3
12	22930903	SPOOL REST CUSHION		*		3
13	22930804	SPOOL REST		*		3
14	22930309	SPOOL REST ROD, LOWER		*		1
15	13168802	THREAD STANDING ARM ,LONG		*		1
16	NM6160511SE	NUT M16X1.5		*		2
17	WP1612616SE	WASHER 16X30X2.6		*		2
18	13168406	THREAD STANDING ARM SUPPORT A		*		1
19	WS1643202KR	SPRING WASHER		*		1
20	SM4061201SE	SCREW M6 L=12		*		1
21	NM6050001SE	NUT M5		*		3
22	NM6060001SE	NUT M6		*		1
23	SK3382001SE	SCREW D=3.8 L=20		*		1
24	WS0510002KN	SPRING WASHER		*		3
25	26910059	THREAD GUIDE ARM ASM.				1
26	13168000	THREAD GUIDE BASE, LOWER		*		1
27	13168109	THREAD GUIDE ARM BASE		*		1
28	13168208	THREAD GUIDE ARM BASE		*		1
29	SM4041001SC	SCREW M4X0.7 L=10		*		2
30	NM6040002SE	NUT M4X0.7		*		2
31	SM4041201SC	SCREW M4 L=12		*		1
32	SM4042001SC	SCREW M4 X 20		*		1
33	NM6040002SE	NUT M4X0.7		*		2
34	13167903	THREAD STANDING THREAD GUIDE		*		1

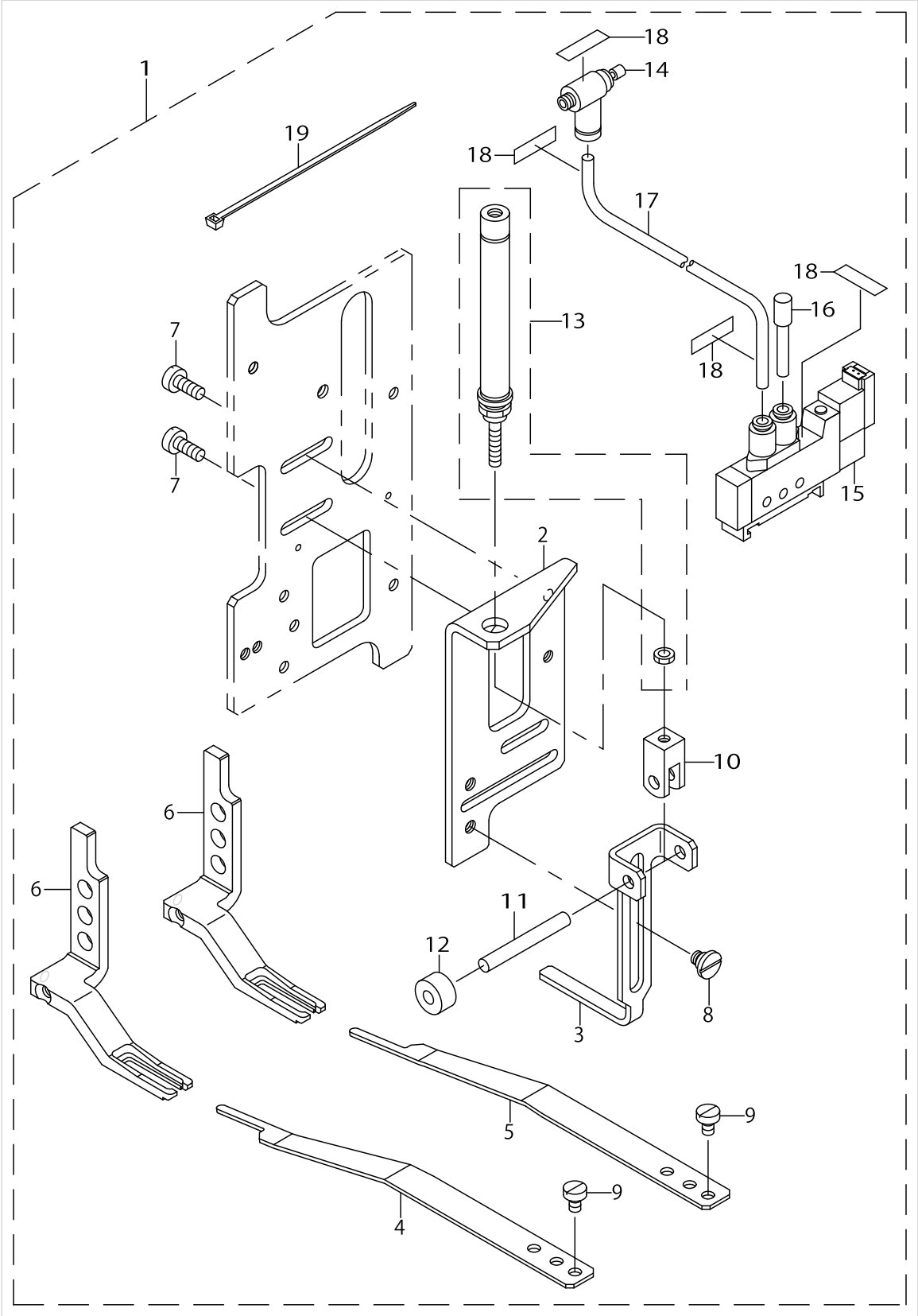
ACCESSORY PARTS COMPONENTS



ACCESSORY PARTS COMPONENTS

No.	Parts No.	Parts name	Remarks	Level	Cons	Qty
1	SS5680740SP	SCREW 9/32-28 L= 6.8				1
2	G5641254000	UPPER FOLDING DOG, 4MM WIDTH				2
3	G5642254000	UPPER FOLDING DOG, 2.6MM WIDTH				2
4	MDP170B1902	NEEDLE DPX17#19-2	FOR USE IN JAPAN			2
5	MDP170B2102	NEEDLE DPX17#21-2	FOR EXPORT			2
6	13870266	BOBBIN THREAD WINDING DEVICE				1
7	13889951	BOBBIN GUIDE ASM.				1
8	B2612372000	STOP MOTION TRIP LEVER BRACKET		*		1
9	B3107352000	NEEDLE THREAD GUIDE		*		1
10	B3108352000	NEEDLE THREAD TENSION POST		*		1
11	B3125012000	THREAD TENSION NUT		*		1
12	B3126012000	THREAD TENSION DISK		*		2
13	B3129771000	TENSION SPRING		*		1
14	NS6150430SN	NUT 15/64-28		*		2
15	SK3412001SE	WOOD SCREW D=4.1 L=20				2
16	WP0501016SC	WASHER 5X10.5X1				2
17	SK3412001SE	WOOD SCREW D=4.1 L=20				2
18	WP0501016SC	WASHER 5X10.5X1				2
19	11851102	SCREW WRENCH				1
20	13881008	LOWER PLATE BLANK				1
21	B9101490000	DRIVER				1
22	B1806210D00	BOBBIN				2
23	22932800	ACCESSORIE BAG				1
24	J1071000000	SCREW DRIVER				1
25	22933006	SCREW DRIVER,LARGE				1
26	22933105	SCREW DRIVER,MIDDLE				1
27	22933204	SCREW DRIVER,SMALL				1
28	26034702	WRENCH (14X11)				1
29	B9113012000	WRENCH (9X10)				1
30	26034801	WRENCH 7X8				1
31	G91011160A0	L-SHAPED WRENCH ASM.				1
32	B9204804000	TWEEZERS				1
33	WP0820526SD	WASHER 8.2X14X0.5				4
34	MAL01129000	MAGNET				1
35	PJ309520001	SOCKET				1
36	PB000010000	HOSE BAND				1
37	B91212200A0	OILER (CONTAINING NO.2 OIL)				1
38	CM600100201	WEEE INFORMATION SHEET	FOR JE			1
39	40049817	COVER				1
40	40182067	EC DECLARATION	FOR JE			1

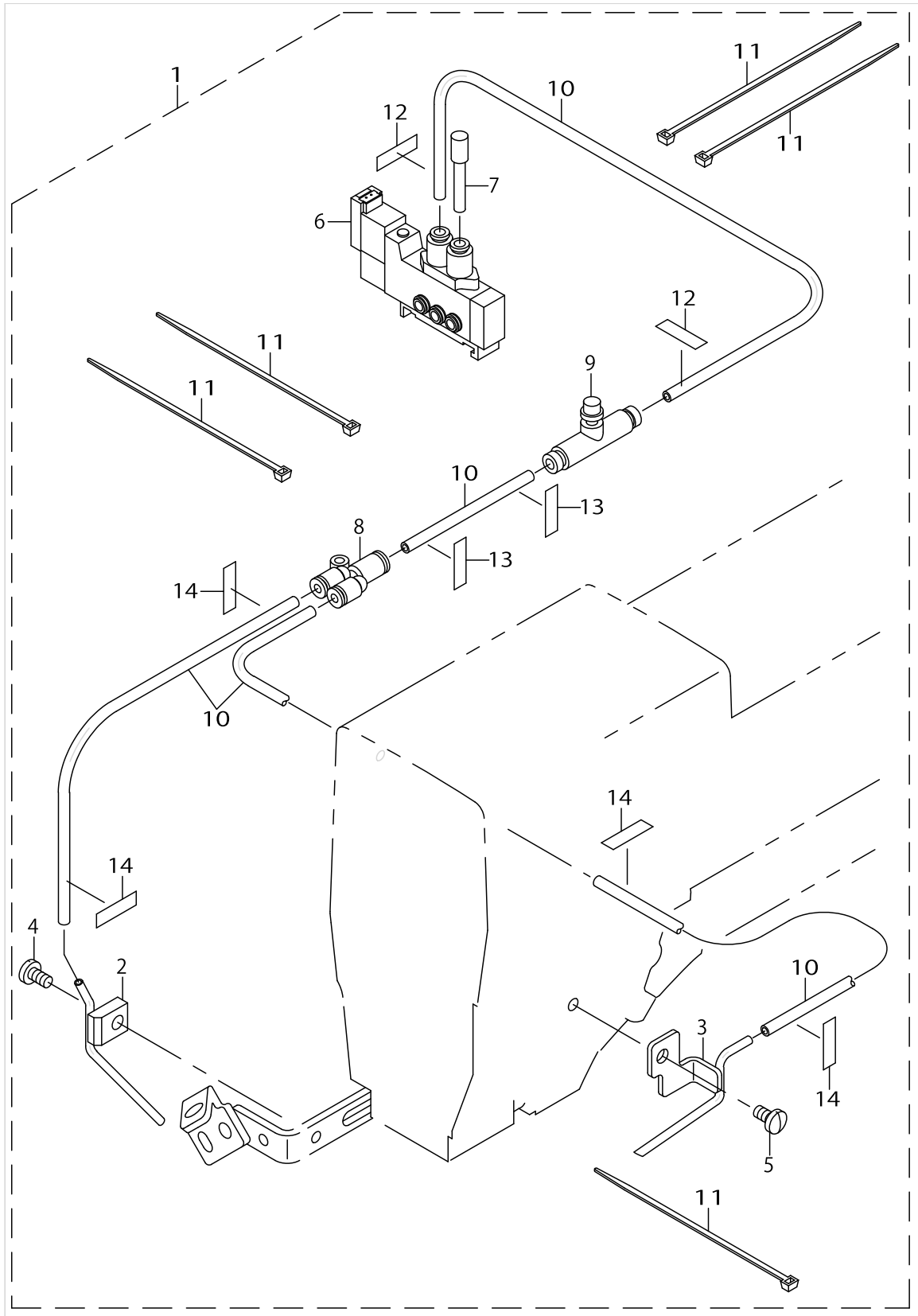
FULLNESS DEVICE COMPONENTS (OPTION)



FULLNESS DEVICE COMPONENTS (OPTION)

No.	Parts No.	Parts name	Remarks	Level	Cons	Qty
1	G57002540A0	FULLNESS DEVICE ASM.				1
2	G5701254000	FULLNESS BASE		*		1
3	G5702254000	FULLNESS LEVER		*		1
4	G5703254000	FULLNESS BELT PRESSER,FRONT		*		1
5	G5704254000	FULLNESS BELT PRESSER,REAR		*		1
6	13877816	CLOTH PRESSER FOOT		*		2
7	SS6111140SP	SCREW 11/64-40 L=11		*		2
8	SD0640271TP	HINGE SCREW		*		2
9	SS6110610TP	SCREW 11/64-40 L=6		*		4
10	PA900034000	JOINT		*		1
11	GNP01330000	CONTROL PIN		*		1
12	CS051071BSD	THRUST COLLAR ASM. 5MM		*		1
13	PA1003003A0	PEN CYLINDER		*		1
14	PC010507000	SPEED CONTROLLER		*		1
15	PV150209000	5 PORT SOLENOID VALVE		*		1
16	PX500014000	PLUG		*		1
17	BT0400251EB	URETHANE HOSE, BLACK		*		0.5
18	18035808	WIRE MARK (9)		*		4
19	EA9500B0100	CABLE BAND		*		3

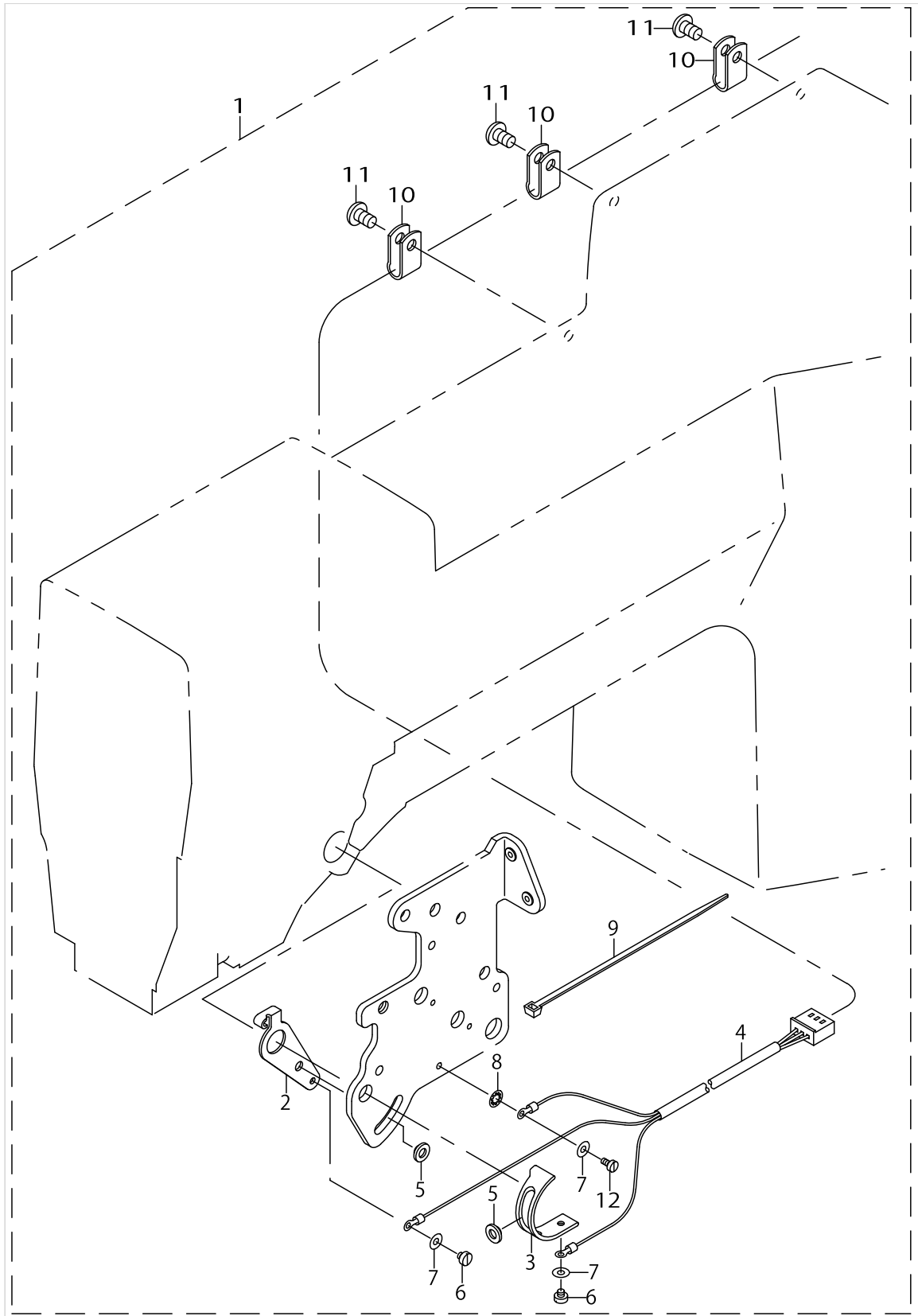
NEEDLE COOLER COMPONENTS (OPTION)



NEEDLE COOLER COMPONENTS (OPTION)

No.	Parts No.	Parts name	Remarks	Level	Cons	Qty
1	G57702540A0	NEEDLE COOLER MAS.ASM.				1
2	G57712540A0	NC BASE A ASM.		*		1
3	G57732540A0	NC BASE B ASM.		*		1
4	SS7110840SP	SCREW 11/64-40 L=7.8		*		1
5	SS7110840SP	SCREW 11/64-40 L=7.8		*		1
6	PV150209000	5 PORT SOLENOID VALVE		*		1
7	PX500014000	PLUG		*		1
8	PJ308040002	QUICK COUPLING		*		1
9	PC012406000	SPEED CONTROLLER		*		1
10	BT0400251EB	URETHANE HOSE, BLACK		*		2
11	EA9500B0100	CABLE BAND		*		5
12	18036400	WIRE MARK (15)		*		4
13	18038604	WIRE MARK (37)		*		4
14	18038703	WIRE MARK (38)		*		4

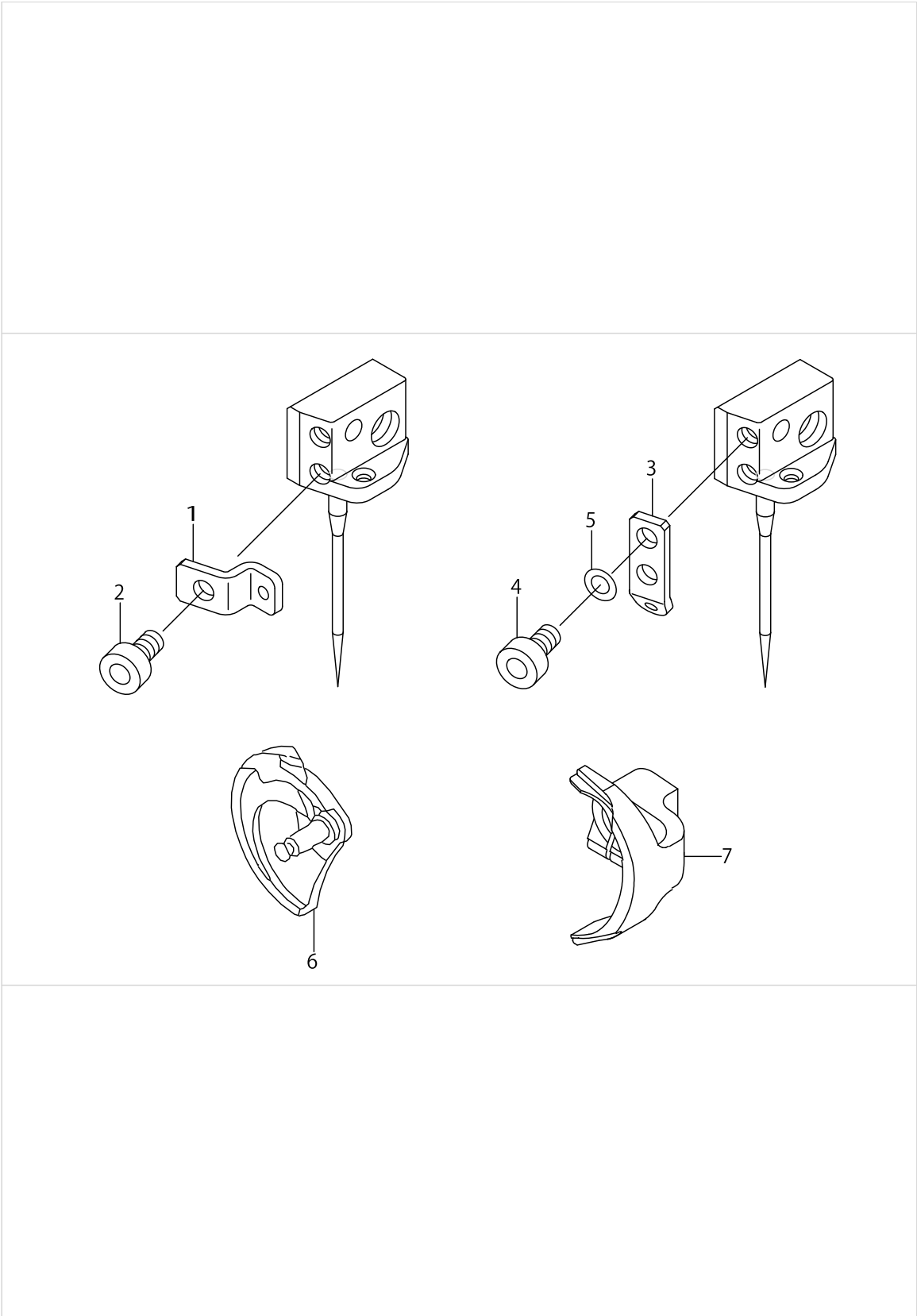
THREAD BREAKAGE DETECT DEVICE COMPONENTS (OPTION)



THREAD BREAKAGE DETECT DEVICE COMPONENTS (OPTION)

No.	Parts No.	Parts name	Remarks	Level	Cons	Qty
1	G57802540A0	THREAD BREAKAGE SENSOR ASM.				1
2	G5781254000	THREAD TAKE-UP SPRING PLATE B		*		1
3	G5782254000	THREAD TAKE-UP SPRING PLATE C		*		1
4	M85166100A0	THREAD BREAKAGE DETECT CABLE		*		1
5	G3197116000	INSULATING BUSHING		*		2
6	SS6060220SP	SCREW 3/32-56 L= 2.0		*		2
7	WP0250516SD	WASHER 2.5X6X0.5		*		3
8	WT0320001KN	WASHER		*		1
9	EA9500B0100	CABLE BAND		*		1
10	HX00150000A	CABLE CLAMP		*		3
11	SS4110715SP	SCREW 11/64-40 L=7		*		3
12	SS6060440TP	SCREW 3/32-56 L=3.5		*		1

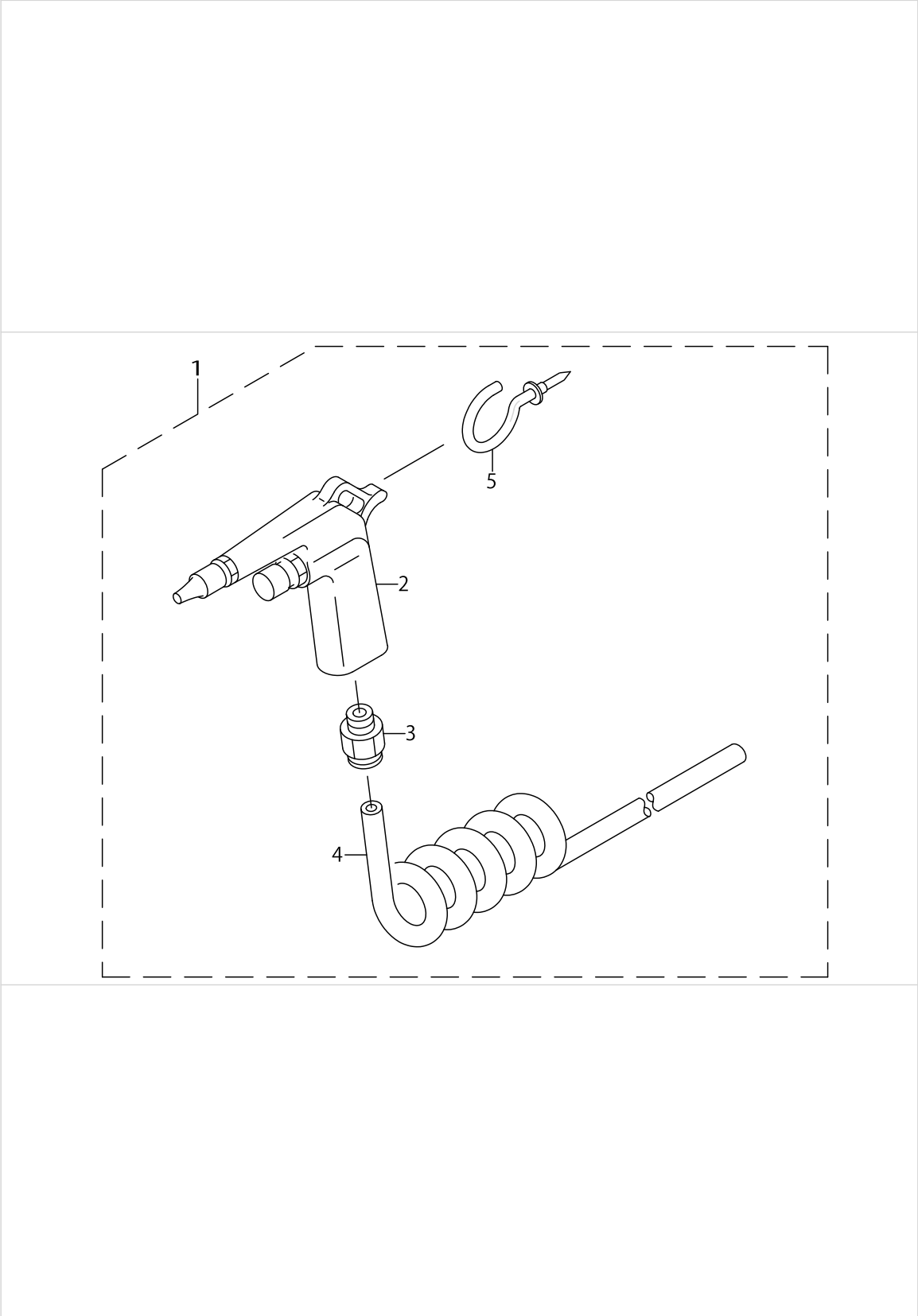
THREAD GUIDE COMPONENTS (OPTION)



THREAD GUIDE COMPONENTS (OPTION)

No.	Parts No.	Parts name	Remarks	Level	Cons	Qty
1	G5791254000	NEEDLE BAR THREAD GUIDE				2
2	SM6850402TN	BOLT M2.5 L=4				2
3	G5792254000	NEEDLE BAR THREAD GUIDE B				1
4	SM6850402TN	BOLT M2.5 L=4				1
5	WP0280500SC	WASHER				1
6	G5793254000	SHUTTLE,H(SINTERED)				1
7	G5794254000	CARBIDE TIP DRIVER				1

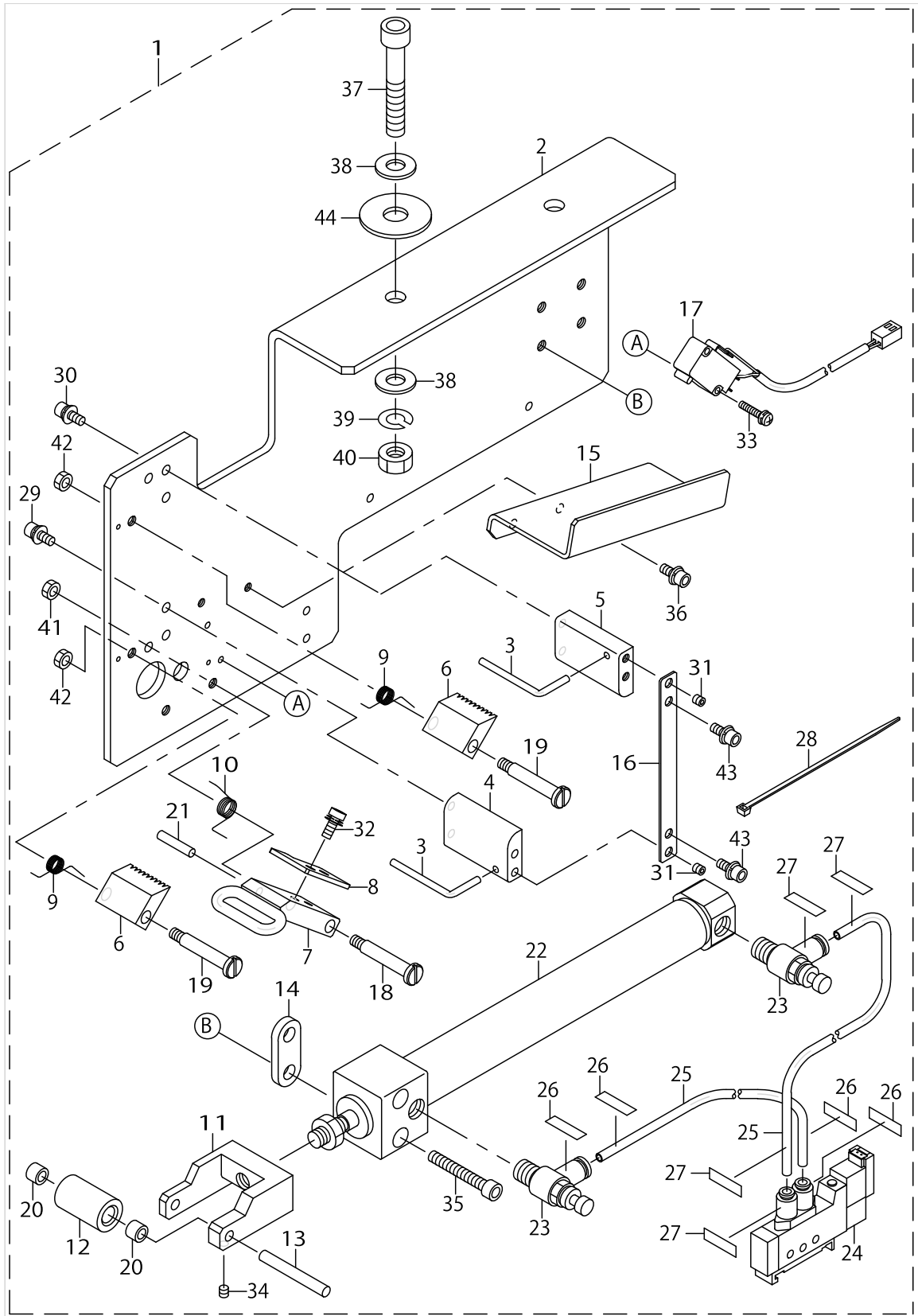
AIR GUN COMPONENTS (OPTION)



AIR GUN COMPONENTS (OPTION)

No.	Parts No.	Parts name	Remarks	Level	Cons	Qty
1	G57602540A0	AIR GUN ASM.				1
2	16111403	AIR GUN		*		1
3	PJ301065103	HALF UNION 6XPT1/8		*		1
4	G5458116000	CURLED TUBE		*		1
5	MAT81163T00	CORD HOLDER		*		1

LOOP PULL-OUT DEVICE COMPONENTS (OPTION)



LOOP PULL-OUT DEVICE COMPONENTS (OPTION)

No.	Parts No.	Parts name	Remarks	Level	Cons	Qty
1	G57302540A0	LOOP DRAWER DEVICE ASM.				1
2	G5731254000	LOOP DRAWER DEVICE BASE		*		1
3	G5732254000	LOOP GUIDE PIN		*		2
4	G5733254000	LOOP FRONT SUPPORT PLATE		*		1
5	G5734254000	LOOP REAR SUPPORT PLATE		*		1
6	G5735254000	LOOP FASTEN PIC		*		2
7	G5736254000	LOOP GUIDE METAL FITTING		*		1
8	G5737254000	LOOP APPLY METAL		*		1
9	G5738254000	LOOP STOPPER SPRING		*		2
10	G5739254000	GUIDE PLATE SPRING		*		1
11	G5740254000	LOOP DRAWER CYLINDER METAL		*		1
12	G5741254000	LOOP DRAWER ROLLER		*		1
13	GNP01330000	CONTROL PIN		*		1
14	B8231092000	BACK PLATE		*		1
15	G5744254000	LOOP LOWER SUPPORT PLATE		*		1
16	G5745254000	LOOP GUIDE PLATE		*		1
17	M85106100A0	LOOP LOCK DETECT SWITCH ASM.		*		1
18	G6022870000	FOLDING STEPSCREW		*		1
19	G6022870000	FOLDING STEPSCREW		*		2
20	G9303880000	BUSH D=5		*		2
21	PS0400202KH	SPRING PIN 4X20		*		1
22	PA2015005A0	AIR CYLINDER		*		1
23	PC015108000	SPEED CONTROLLER		*		2
24	PV150209000	5 PORT SOLENOID VALVE		*		1
25	BT0400251EB	URETHANE HOSE, BLACK		*		0.5
26	18035907	WIRE MARK (10)		*		4
27	18038901	WIRE MARK (40)		*		4
28	EA9500B0100	CABLE BAND		*		4
29	SL6041092TN	SCREW		*		2
30	SL6041092TN	SCREW		*		2
31	SM8040462TP	SCREW		*		2
32	SL6041092TN	SCREW		*		2
33	SL4031681SC	SCREW M3 X 16		*		2
34	SM8040462TP	SCREW		*		2
35	SM6053502TP	BOLT		*		2
36	SL6041092TN	SCREW		*		2
37	SM6085002TN	BOLT		*		2
38	WP0850002SC	WASHER 8.5X18X1.6		*		4
39	WS0820002KR	SPRING WASHER, M8		*		2
40	NM6080001SC	NUT M8X1.25		*		2
41	NS6120310SP	NUT 3/16-28		*		1
42	NS6120310SP	NUT 3/16-28		*		2
43	SL6041092TN	SCREW		*		2
44	GAK33032000	SOLENOID RUBBER, B		*		2

LIST FOR INFORMATION OF CHANGE(1)

As to the place changed, refer to the corresponding Rev.No.
 When previous parts(Obsoleted part)and new parts(Added parts)are
 not interchangeable with each other:
 In this case,even obsoleted parts(D.)can be ordered with the
 obsoleted part number,so select the parts with changed dates and
 place your orders.

変更箇所は、該当Rev.No.版をご参照ください。
 部品の互換性がない変更の場合は、削除された品番でも、ご注文できます。

29330404
 No.1265-07 Rev.No.

*A:Added parts追加部品/D:Obsoleted parts削除部品/E:Erratum訂正

* Rev. No.	Page 頁	Ref. No.	Parts No. 品番	* Rev. No.	Page 頁	Ref. No.	Parts No. 品番
D 06	2	9	144-02002	A 07	2	9	400-33825
D 06	6	28	SM-6052002-TP	A 07	6	28	SM-6052502-TP
D 06	30	25	PJ-3080400-02	A 07	30	25	PJ-3080400-07
D 06	32	37	PJ-3080400-02	A 07	32	37	PJ-3080400-07
				A 07	34	76	140-75758
				A 07	34	77	SL-4041091-SC
				A 07	38	66	WP-0982616-SP
D 06	42	3	400-21793	A 07	42	3	401-84386
D 06	42	11	G5555-254-000	A 07	42	11	401-84385
D 06	42	13	G5556-254-000	A 07	42	13	401-84384
D 06	44	18	PJ-3080400-02	A 07	44	18	PJ-3080400-07
				A 07	46	75	401-84972
D 06	48	1	400-59340	A 07	48	1	401-84946
D 06	48	5	M8605-580-0A0	A 07	48	5	401-84965
D 06	48	6	M1001-581-000	A 07	48	6	401-84829
D 06	48	7	M1002-580-0A0	A 07	48	7	401-84827
				A 07	48	67	400-66162
				A 07	48	68	G8514-286-0A0
				A 07	48	69	401-81667
				A 07	48	70	401-84962
				A 07	48	71	401-84968
D 06	50	4	400-59350	A 07	50	4	400-81043
D 06	50	6	G1013-192-000	A 07	50	6	400-98648
				A 07	50	2	401-84892
				A 07	50	5	401-84974
				A 07	50	7	401-84865
				A 07	50	24	HX-0026800-00
				A 07	50	25	400-66161
				A 07	50	26	HN-0021000-00
				A 07	50	27	SL-4040681-SC
				A 07	52	83	401-83431
				A 07	52	84	401-83432
				A 07	52	85	400-96035
				A 07	52	86	401-81503
				A 07	52	87	401-81841
D 06	56	30	B9143-372-000	A 07	56	30	260-34801

HOW TO MAKE USE OF THIS PARTS LIST

1.Explanation of codes

1)"*"mark.....means this part is changed from the previous parts book.

As to the details of the change, refer to the "List for information of change".

2)"#01".....refer to "Note" explanation at bottom of page.

2.Codes on the "Qty" column

• Each numeral indicates the number of parts required.

• "0.1" and "2.5" indicate the length (in meters) of the respective parts.

3.Parentheses mean that the corresponding part is a subpart that constructs an assembly part.

4.Dotted lines on the Figures indicate assembly parts.

1."注記"欄の記号説明

1) "*"印.....前回のパーツブックに比較して今回変更された部品を意味します。

変更内容は、"変更情報リスト"を参照してください。

2) "#01".....ページ下の"注記"の説明を参照してください。

2.数量欄の数字は、個数を表し、0.1、2.5等の数値は、長さ（単位メートル）を表します。

3.数量欄の（ ）は、組部品を構成している子部品であることを意味します。

4.イラストページの-----枠は、組構成であることを意味します。

NUMERICAL INDEX OF PARTS

PART NO	PAGE	REF NO.	PART NO	PAGE	REF NO.	PART NO	PAGE	REF NO.
10124204	26	42	13874300	32	21	14102800	10	8
10124303	26	43	13875612	16	39-97	14103402	12	1
10208700	58	65	13877816	20	39-97	14103659	12	15
10523504	12	16	13877816	92	6	14103659	34	77
10632511	56	5	13879606	32	5	14107502	26	1
10697605	26	18	13879903	4	51	14107601	24	66
10741106	26	45	13880406	16	31	14107700	26	2
11000403	2	12	13880505	16	17	14107809	24	68
11021607	42	4	13880604	16	35	14108500	22	2
11041100	32	26	13880703	16	36	14108609	22	3
11043007	22	22	13881008	90	20	14108807	22	7
11072402	26	47	13881255	22	38	14108906	84	22
11093606	26	46	13881255	36	40	14109250	22	17
11156056	76	55	13881909	24	61	14109300	22	18
11217213	62	34	13882006	24	62	14110407	16	5
11272408	32	7	13882105	22	36	14111801	16	11
11315108	26	12	13882501	22	39	14114102	42	1
11851102	90	19	13882501	36	41	14114201	42	2
11956802	26	36	13883905	26	14	14136402	16	10
12292504	40	12	13885306	32	6	14400006	2	2
12308300	46	15	13885454	32	9	14400055	2	1
12308409	60	15	13886106	34	72	14400105	2	16
13167903	88	34	13886205	34	68	14400204	2	5
13168000	88	26	13886304	36	6	14400303	6	19
13168109	88	27	13887005	32	16	14400451	38	49
13168208	88	28	13887104	32	17	14400451	84	9
13168356	88	2	13887203	32	18	14401301	2	11
13168406	88	18	13887302	36	10	14401400	2	7
13168802	88	15	13887401	32	20	14401509	2	31
13216601	22	12	13887450	32	19	14401608	2	32
13508403	12	24	13887906	34	67	14401707	2	15
13513304	26	6	13888607	42	3	14401806	4	48
13518105	46	14	13888805	36	17	14402507	10	25
13518907	16	26	13889407	44	2	14402705	10	2
13529003	42	9	13889951	90	7	14402804	10	12
13860606	50	16	13922208	2	44	14402952	6	4
13870266	84	21	13922208	30	7	14402960	6	3
13870266	90	6	14006506	62	1	14403000	6	5
13870902	2	43	14023303	6	26	14403109	6	8
13870902	30	6	14045306	56	15	14403208	6	31
13871702	2	41	14075758	58	76	14403307	6	33
13872007	4	49	14100309	4	62	14403406	6	34
13872106	4	55	14101208	68	23	14403505	10	3
13872205	4	56	14102305	10	4	14403612	6	29
13872304	4	50	14102701	10	9	14403711	6	30

NUMERICAL INDEX OF PARTS

PART NO	PAGE	REF NO.	PART NO	PAGE	REF NO.	PART NO	PAGE	REF NO.
14403802	6	37	14412803	22	26	14423008	40	7
14403901	8	49	14412902	22	4	14423107	40	4
14404016	6	35	14413009	22	5	14423206	40	8
14404107	10	14	14413157	26	17	14423305	40	9
14404206	10	13	14413165	26	16	14423453	40	10
14404305	6	21	14413207	28	48	14423651	40	35
14404404	8	55	14413306	26	19	14423651	84	10
14404503	8	56	14413405	26	23	14424006	42	13
14404800	6	36	14413512	26	5	16111403	70	37
14405005	12	31	14413603	26	10	16111403	100	2
14405005	32	32	14413702	30	2	16870206	68	7
14407506	12	33	14413801	30	17	16992604	32	8
14407605	12	34	14413900	30	11	17077009	74	2
14407704	12	35	14414007	30	1	17077058	74	1
14407803	12	36	14414106	28	51	17077108	74	3
14407951	12	25	14417505	34	76	17077207	74	4
14410005	18	75	14417604	32	42	17077306	74	5
14410104	16	7	14417703	36	30	17077405	74	6
14410104	84	17	14417802	32	10	17077710	74	9
14410203	16	6	14417901	32	13	17077801	74	10
14410203	84	16	14418008	32	14	17077900	74	11
14410302	18	76	14418107	32	12	17078114	74	13
14410401	16	4	14418206	32	11	17078213	74	14
14410559	18	91	14418305	32	1~4	17078304	74	15
14410559	86	62	14418404	32	1~4	17078502	74	17
14410658	18	90	14418503	32	1~4	17078601	76	67
14410658	86	61	14418602	32	1~4	17078700	74	16
14410708	16	14	14418701	32	46	17079500	76	49
14410807	16	33	14418800	32	40	17079609	76	50
14410906	16	34	14418909	34	71	17079708	76	51
14411003	16	37	14419006	36	12	17079807	76	52
14411102	16	32	14419105	36	13	17079906	76	53
14411201	16	1	14419204	36	42	17080110	76	54·75
14411300	16	28	14419303	36	7	17833658	74	24
14411409	16	8	14419451	36	1	17845009	78	20
14411508	16	9	14419501	32	15	18035006	70	45
14411607	16	24	14419600	36	15	18035105	70	46
14411706	16	3	14420004	32	24	18035204	70	47
14411805	16	2	14420103	32	25	18035303	72	48
14411904	16	21	14420202	36	11	18035402	72	49
14412001	16	22	14422505	40	3	18035501	72	50
14412209	16	15	14422604	40	1	18035600	72	51
14412308	16	16	14422703	40	2	18035709	72	52
14412506	22	28	14422802	40	5	18035808	72	53
14412654	22	43	14422901	40	6	18035808	92	18

NUMERICAL INDEX OF PARTS

PART NO	PAGE	REF NO.	PART NO	PAGE	REF NO.	PART NO	PAGE	REF NO.
18035907	72	54	22617906	26	33	40021806	56	42
18035907	102	26	22618102	26	37	40022269	78	2
18036004	72	55	22618201	26	30	40022521	58	78
18036103	72	56	22618300	26	31	40033825	2	9
18036202	72	57	22618904	26	40	40039936	82	14
18036301	72	58	22901805	2	6	40039936	86	75
18036400	72	59	22907802	58	58	40039939	82	1·2
18036400	94	12	22913503	18	92	40039939	86	73
18036509	72	60	22930309	88	14	40049798	44	1
18036608	72	61	22930408	88	6	40049817	90	39
18036707	72	62	22930705	88	4	40058131	46	9
18036806	72	63	22930804	88	13	40058132	48	58
18036905	72	64	22930903	88	12	40059335	84	2
18037002	72	65	22931000	88	11	40059336	86	69
18037101	72	66	22931109	88	10	40059337	86	72
18037200	72	67	22931307	88	7	40059338	78	11
18037309	72	68	22931406	88	5	40059338	86	54
18037408	72	69	22932800	90	23	40059340	84	47
18037507	72	70	22933006	90	25~27	40059352	82	17
18037606	72	71	22933105	90	25~27	40059354	86	81·82
18037705	72	72	22933204	90	25~27	40059355	86	49
18037804	72	73	23630007	12	10	40059356	86	48
18037903	72	74	25002809	30	18	40059500	86	70·76·87
18038000	72	75	25002908	30	19	40059501	86	70·76·87
18038109	72	76	26034702	90	28~30	40060972	82	19
18038208	72	77	26034801	90	28~30	40062404	12	30
18038307	72	78	26105551	88	1	40062404	32	31
18038406	72	79	26222208	14	54	40066097	48	59
18038505	72	80	26231100	12	4	40066161	82	25
18038604	72	81	26231100	42	34	40066162	80	67
18038604	94	13	26231605	42	25	40081043	82	4·5
18038703	72	82	26303404	52	13	40091332	4	63
18038703	94	14	26500306	10	7	40096035	86	56·57·85
18038802	72	83	26500405	26	11	40098090	10	10
18038901	72	84	26500900	26	4	40098090	84	24
18038901	102	27	26501205	22	1	40098648	82	6·7
18039008	72	85	26910059	88	25	40104889	22	8
18039107	72	86	40008600	74	8	40104895	22	6
18039206	72	87	40008601	74	12	40181503	86	86
20243200	74	26	40008602	74	7	40181667	80	69
22571400	64	58	40009143	50	18	40181841	86	70·76·87
22585707	50	15	40021802	58	51	40182067	90	40
22617609	26	25	40021803	56	33	40183431	86	68·83
22617708	26	26	40021804	56	47	40183432	86	65·84
22617807	26	28	40021805	56	38	40184384	68	13

NUMERICAL INDEX OF PARTS

PART NO	PAGE	REF NO.	PART NO	PAGE	REF NO.	PART NO	PAGE	REF NO.
40184385	68	11	B1606210000	52	16	B1905541D00	6	9~13
40184386	68	3	B1618804000	56	75	B1905541D00	32	35~38
40184827	78	7	B1618804000	58	75	B2039373000	2	27
40184829	78	6	B1632180000	46	17	B2304210D00	26	3
40184865	82	6·7	B1632180000	52	15	B2312210D00	24	67
40184892	82	1·2	B1649161000	22	25	B2401210D00	22	19
40184946	78	1	B1802210D00	12	18	B2408210D00	22	20
40184962	80	70	B1806210D00	12	37	B2417210000	22	42
40184965	78	5	B1806210D00	34	75	B2417210000	36	20
40184968	80	71	B1806210D00	90	22	B242328000A	22	29~35
40184972	76	54·75	B1808210D00	12	40	B242328000A	36	22~28
40184974	82	4·5	B1808210D00	34	66	B242328000B	22	29~35
A1230500000A	10	32	B1808980000	14	59	B242328000B	36	22~28
B1104280000	66	2	B1811205000	60	17	B242328000C	22	29~35
B1111232000	4	60	B1813980000	12	3	B242328000C	36	22~28
B1116804000	22	24	B1813980000	34	49	B242328000D	22	29~35
B1136850000	30	20	B1814210D00	12	2	B242328000D	36	22~28
B1140761000	68	26	B1815210000	12	19	B242328000E	22	29~35
B1144210000	10	33	B1815210000	34	80	B242328000E	36	22~28
B1212210D00	10	34	B1818210D0B	12	20	B242328000E	62	38
B1223771000	6	2	B1818210D0B	34	78	B242328000F	22	29~35
B1223771000	22	23	B1820210D00	12	9	B242328000F	36	22~28
B1231210D00	10	11	B1820210D00	42	36	B242328000G	22	29~35
B1402280000	6	32	B1820215PA0A	12	12	B242328000G	36	22~28
B1411804000	6	14~18	B1820215PA0A	34	63	B2424210000	22	37
B1411804A00	6	14~18	B1821210D00	12	11	B2424210000	36	29
B1411804A00	12	26~29	B1821210D00	42	39	B2509210D00	46	18
B1411804A00	32	27~30	B1822215P00	12	13	B2509704000	16	23
B1411804B00	6	14~18	B1822215P00	34	70	B2512210D0A	46	19
B1411804B00	12	26~29	B1828210D0A	12	39	B2513210D00	46	20
B1411804B00	32	27~30	B1828210D0A	34	65	B2514210D00	46	21
B1411804C00	6	14~18	B1828210DAA	12	38	B2528215000	46	22
B1411804C00	12	26~29	B1828210DAA	34	64	B2545280000	26	7
B1411804C00	32	27~30	B1836210D00	12	17	B2548280000	16	29
B1411804D00	6	14~18	B185351200AA	62	11	B2549280000	16	30
B1411804D00	12	26~29	B185351200E	50	17	B2549372000	56	4
B1411804D00	32	27~30	B1903552000	6	6	B2579229000	32	41
B1414232000	6	45~47	B1903552000	32	34	B2612372000	90	8
B1414232000	16	18~20	B1905541000	6	9~13	B2617771000	22	16
B141423200A	6	45~47	B1905541A00	6	9~13	B2740771000	46	23
B141423200A	16	18~20	B1905541A00	32	35~38	B3035280000	8	48
B141423200B	6	45~47	B1905541B00	6	9~13	B3107352000	90	9
B141423200B	16	18~20	B1905541B00	32	35~38	B3108352000	90	10
B1419026000	42	11	B1905541C00	6	9~13	B3112704000	26	35
B1449526000	52	14	B1905541C00	32	35~38	B3125012000	90	11

NUMERICAL INDEX OF PARTS

PART NO	PAGE	REF NO.	PART NO	PAGE	REF NO.	PART NO	PAGE	REF NO.
B3126012000	26	32	BT0800501EB	70	40	EA9500B0100	42	14
B3126012000	90	12	CM300100001	80	50	EA9500B0100	48	55
B3129012A00	26	34	CM300100001	82	18	EA9500B0100	54	49
B3129771000	90	13	CM300100101	80	49	EA9500B0100	78	22
B31375270A0	26	20	CM300200001	68	25	EA9500B0100	92	19
B3138527000	26	24	CM300200002	2	26	EA9500B0100	94	11
B3139527000	26	22	CM300200002	68	37	EA9500B0100	96	9
B3141527000	26	27	CM301200001	2	14	EA9500B0100	102	28
B3142527000	26	21	CM600100101	68	27	EA9500B0200	2	23·24
B3143527000	26	29	CM600100201	90	38	EA9500B0200	78	44
B3413552000	28	52	CQ200000000	42	21	EA9502B0400	78	45
B3501210000	42	10	CQ252000000	42	38	G1014192000	82	23
B3504280000	12	5	CQ252200000	12	8	G1015192000	68	17
B3504280000	42	33	CQ252200000	42	22	G1015192000	82	9
B3506280000	42	12	CQ252200000	66	23	G1016192000	82	10
B3508280000	42	15	CS051071BSD	92	12	G1216870000	10	21
B3509210D00	42	8	CS0800816SH	12	42	G3197116000	96	5
B3509280000	42	16	CS080081CSH	12	41	G5001254000	46	1
B3518280000	42	17	CS080081CSH	22	13	G5001254000	84	23
B3520210000	42	27	CS1000811SP	12	44	G5002254000	46	2
B3523220000	42	32	CS100081ASP	26	9	G5003254000	46	3
B3523280000	42	26	CS100101DSH	46	24	G5004254000	46	4
B3523980000	18	93	CS1201010SH	12	45	G5005254000	46	5
B4127352000	52	12	CS1201010SH	46	25	G5006254000	46	6
B8150221D00	74	25	CS1201011SH	12	46	G5007254000	46	7
B8202205000	76	56	CS147121ASH	10	20	G5008254000	46	8
B8231092000	102	14	D1203L7VV00	6	7	G5010254000	46	10
B8306223C00	74	18	D1904L7VV00	6	27	G5010254000	60	22
B8307220000	74	19	D1906L7VV00	6	44	G5011254000	46	11
B9101490000	90	21	D2063772B00	36	44	G5012254000	46	12
B9113012000	90	28~30	D2112555B00	36	35	G5013254000	48	52
B9121012000	76	58	D2587L8WB00	22	44	G5014254000	48	54
B91212200A0	90	37	D2587L8WB00	52	44	G5051254000	50	1
B9204804000	90	32	D2587L8WB00	64	64	G5052254000	50	2
BP300000000	42	18	D2588L8WB00	22	45	G5053254000	50	3
BP500000000	42	20	D2588L8WB00	52	45	G5054254000A	50	31
BP600000000	42	19	D2588L8WB00	64	63	G50542540A0	50	30
BT0400251EB	30	3	E1022760000	46	16	G5055254000A	50	36
BT0400251EB	70	43	E3705715000	58	64	G50552540A0	50	35
BT0400251EB	92	17	E4087172000	74	23	G5056254000	50	6
BT0400251EB	94	10	E8760452M00	42	23	G5057254000	50	7
BT0400251EB	102	25	E9567319000	78	51	G5058254000	50	8
BT0600401EB	70	41	E9567319000	80	51	G5059254000	50	37
BT0600401EF	36	3	EA9500B0100	2	23·24	G5060254000	50	10
BT0600401EF	70	42	EA9500B0100	36	18	G5061254000	50	11

NUMERICAL INDEX OF PARTS

PART NO	PAGE	REF NO.	PART NO	PAGE	REF NO.	PART NO	PAGE	REF NO.
G5061254000	70	3	G5230254000	60	26	G5507254000	66	10
G5062254000	50	12	G5230254000	84	20	G5508254000	66	18
G5063254000	50	13	G52312540B0	56	11	G5551254000	68	1
G5063254000	52	11	G5236254000	56	43	G5553254000A	68	5
G5063254000	64	62	G5301254000A	60	1	G5554254000	68	8
G5101254000A	52	1	G5302254000	60	2	G5557254000	68	15
G5102254000A	52	2	G5303254000	60	4	G5558254000	68	18
G5103254000A	52	3	G5305254000	60	6	G5559254000	68	24
G5104254000A	52	4	G5306254000	60	8	G5560254000	18	94
G5105254000A	52	5	G5307254000	60	19	G5561254000	20	95
G5106254000	52	6	G5308254000	60	24	G5563254000	68	35
G5107254000	52	7	G5309254000	60	28	G5564254000	76	74
G5108254000	52	8	G5401254000	62	3	G56012540A0	70	26·29
G5109254000	52	9	G5402254000	62	10	G56012540A0	84	37
G5110254000	52	10	G5403254000	62	14	G56022540A0	70	27·30
G5112254000	52	38	G5404254000	62	16	G56022540A0	84	26
G5113254000	52	39	G5405254000	62	22	G56032540A0	84	45
G5114254000	52	41	G5406254000	62	23	G56042540A0	70	28·33
G5115254000	52	42	G5407254000A	62	24	G56042540A0	84	43
G5116254000	52	43	G5408254000	62	25	G5641254000	90	2
G5201254000	56	1	G5409254000A	62	27	G5642254000	90	3
G5202254000	56	3	G5410254000	62	29	G57002540A0	92	1
G5203254000	56	6	G5411254000	62	31	G5701254000	92	2
G5204254000	56	9	G5412254000	62	33	G5702254000	92	3
G5207254000	56	12	G5413254000	62	36	G5703254000	92	4
G52082540A0	56	14	G5414254000	62	40	G5704254000	92	5
G5209254000	56	19	G5415254000	62	44	G57302540A0	102	1
G5210254000	56	21	G5416254000	62	47	G5731254000	102	2
G5211254000	56	22	G5417254000	64	48	G5732254000	102	3
G5212254000	56	24	G5418254000	64	52	G5733254000	102	4
G5213254000	56	25	G5419254000	64	55	G5734254000	102	5
G5214254000	56	27	G5420254000	62	5	G5735254000	102	6
G5215254000	56	31	G54212540A0	62	9	G5736254000	102	7
G5217254000A	56	36	G54212540A0	70	44	G5737254000	102	8
G5219254000A	56	40	G54212540A0	84	44	G5738254000	102	9
G5220254000	56	44	G5422254000	64	57	G5739254000	102	10
G5221254000	56	45	G5424254000	64	65	G5740254000	102	11
G5224254000	58	53	G5458116000	70	39	G5741254000	102	12
G5225254000	58	55	G5458116000	100	4	G5744254000	102	15
G5226254000	58	56	G5501254000	66	1	G5745254000	102	16
G5227254000	58	50	G5502254000	66	16	G57602540A0	100	1
G5228254000A	58	62	G5503254000	66	11	G57702540A0	94	1
G5229254000	58	66	G5504254000	66	12	G57712540A0	94	2
G5230254000	40	11	G5505254000	66	13	G57732540A0	94	3
G5230254000	56	35	G5506254000	66	8	G57802540A0	96	1

NUMERICAL INDEX OF PARTS

PART NO	PAGE	REF NO.	PART NO	PAGE	REF NO.	PART NO	PAGE	REF NO.
G5781254000	96	2	HX001500000	76	72	M85405800A0	86	55
G5782254000	96	3	HX001500000	80	48	M85626100A0	84	46
G5791254000	98	1	HX00150000A	96	10	M85916100A0	84	5
G5792254000	98	3	HX00150000C	2	19	M85926100A0	84	7
G5793254000	98	6	HX00150000D	30	21	M85986100A0	84	3
G5794254000	98	7	HX00150000D	80	47	M85996100A0A	78	40
G6010003000	82	8	HX00150000F	18	87	M86045900C0	78	3
G6014880000	46	13	HX00150000F	78	46	M86045900C0	86	50-51
G6014880000	62	20	HX00150000N	8	53	M8604590AC0	78	4
G6022870000	102	19	HX00150000N	68	30	M8604590AC0	86	50-51
G85122980A0	86	56-57-85	HX001890000	48	53	M90025800A0	84	25
G85142860A0	80	68	HX001890000	60	30	M90055800A0	86	71
G85152860A0	2	21	HX00221000E	82	21	M90175800A0	86	56-57-85
G91011160A0	90	31	HX002680000	82	24	M9020580AA0	86	81-82
G9303880000	102	20	HX003390000	18	89	MAL01129000	90	34
GAF01007000	10	31	HX003390000	78	23	MAO11532000	80	58
GAK33032000	102	44	HX00339000D	78	17	MAT81163T00	100	5
GBR22107000	74	47	HX004070000	78	18	MAZ12665000	2	47
GHP03217000	74	20	HX004100000	78	19	MDP170B1900	6	42-43
GNP01330000	92	11	J1071000000	90	24	MDP170B1902	90	4
GNP01330000	102	13	KG000000140	82	16	MDP170B2100	6	42-43
GPK26004000	62	37	KG000000140	86	74	MDP170B2102	90	5
HA00303000A	86	52-53	M1001060000	82	3	NM3034000SF	78	27
HA004250000	80	59	M1001610000	78	8	NM3040520SF	78	39
HA004250000	86	52-53	M1004581000	78	10	NM6030001SC	30	15
HA004860010	86	79	M1013610000	78	9	NM6030001SC	36	45
HA005820000	80	60	M3001140000	78	41	NM6030001SC	58	71
HD00057000A	18	60	M8002430000	2	18	NM6030003SC	78	37
HD00057000A	40	38	M85026100A0	86	68-83	NM6040000SN	58	69
HD00057000A	84	13	M85036100A0	86	67	NM6040001SE	22	9
HD001350000	84	6	M85046100A0	86	65-84	NM6040002SE	88	33
HD002230000	48	57	M85066100A0	86	66	NM6040003SC	56	16
HD002230000	60	31	M85076100A0	86	64	NM6050001SC	76	71
HF0084063P0	78	42	M85086100A0	86	63	NM6050001SD	48	49
HK034610020	22	11	M85106100A0	84	15	NM6050001SE	88	21
HK054250040	78	15	M85106100A0	102	17	NM6050001SP	22	46
HM000860010	78	13	M85116100A0	86	59	NM6050001SP	36	32
HN001490000	86	77	M85126100A0	86	58	NM6060001SC	40	22
HN00179000C	86	78	M85146100A0	86	60	NM6060001SC	80	53
HN002100000	82	26	M85156100A0	84	1	NM6060001SE	88	22
HX00013000B	78	43	M85166100A0	84	14	NM6080001SC	66	7
HX00056000B	80	65	M85166100A0	96	4	NM6080001SC	68	34
HX00123000B	78	21	M85226100A0	54	51	NM6080001SC	76	61
HX00147000C	78	24	M85226100A0	86	80	NM6080001SC	102	40
HX001500000	54	48	M85405800A0	78	12	NM6120001CP	6	24

NUMERICAL INDEX OF PARTS

PART NO	PAGE	REF NO.	PART NO	PAGE	REF NO.	PART NO	PAGE	REF NO.
NM6160511SE	88	16	PC010508000	70	16	PX500014000	70	32
NS6090310SP	32	23	PC012406000	52	36	PX500014000	92	16
NS6110310SP	26	44	PC012406000	70	21	PX500014000	94	7
NS6110310SP	42	6	PC012406000	94	9	PX950001000	70	36
NS6110310SP	52	20	PC015108000	70	20	RC0560711KP	18	55
NS6110420SP	22	48	PC015108000	102	23	RC1200001KP	6	23
NS6110420SP	24	48	PC022403F00	62	18	RC1900001KP	60	12
NS6120310SP	24	49	PC022403F00	72	88	RE0300000K0	12	14
NS6120310SP	26	60	PJ025200001	2	40	RE0300000K0	16	42
NS6120310SP	28	60	PJ032059006	50	14	RE0300000K0	34	56
NS6120310SP	102	42	PJ032059006	70	24	RE0300000K0	56	29
NS6150310SP	22	14	PJ046054002	36	34	RE0300000K0	60	5
NS6150430SN	90	14	PJ046054002	70	22	RE0400000K0	18	85
NS6150540SP	50	9	PJ301065103	70	38	RE0400000K0	56	48
NS6660430SP	14	49	PJ301065103	100	3	RE0400000K0	58	48
PA060101500	30	4	PJ304040504	4	58	RE0500000K0	24	50
PA060101500	70	13	PJ304040504	16	41	RE0600000K0	46	26
PA1001025A0	60	9	PJ304040504	52	35	RE0600000K0	50	20
PA1001025A0	70	6	PJ304040504	62	43	RE0700000K0	50	21
PA1002507A0	16	40	PJ304040504	70	15	RE0900000K0	14	50
PA1002507A0	70	12	PJ304040506	52	32	RO048190100	28	62
PA1003003A0	70	9	PJ304040506	70	23	RO154240100	10	24
PA1003003A0	92	13	PJ304065101	62	8	SB106000300	56	73
PA1004001A0	4	59	PJ304065101	70	25	SB106000300	58	73
PA1004001A0	70	14	PJ305080001	70	35	SB106350100	40	13
PA1004513A0	62	42	PJ308040002	94	8	SB108000500	46	27
PA1004513A0	70	2	PJ308040007	50	25	SB109000300	58	72
PA1005501A0	52	34	PJ308040007	52	37	SB112000100	46	28
PA1005501A0	70	8	PJ308040007	70	18	SB112000200	32	47
PA1501515A0	36	33	PJ308085202	70	34	SB112000700	6	22
PA1501515A0	70	11	PJ309520001	90	35	SB117000200	74	22
PA1602005A0	52	31	PS0300102K0	66	24	SB30600070A	34	50~53
PA1602005A0	70	5	PS0300102K0	76	69	SB30600070B	34	50~53
PA1602006A0	70	4	PS0400142KH	10	1	SB30600070C	34	50~53
PA1602006B0	48	50	PS0400202KH	102	21	SB30600070D	34	50~53
PA2015005A0	70	10	PV010014000	30	16	SB406000100	40	14
PA2015005A0	102	22	PV010014000	70	19	SB408000100	18	72
PA3201503A0	62	7	PV150209000	70	31	SB606350100	58	49
PA3201503A0	70	1	PV150209000	84	42	SB612000100	34	48
PA900034000	60	10	PV150209000	92	15	SB710000200	60	11
PA900034000	92	10	PV150209000	94	6	SD0470281SP	26	41
PB000010000	90	36	PV150209000	102	24	SD0500481TP	52	27
PC010507000	70	17	PV150209100	84	29	SD0500803TP	24	52
PC010507000	92	14	PV150209200	84	27	SD0530221SP	28	53
PC010508000	48	51	PV150210000	84	33	SD0550212TP	52	23

NUMERICAL INDEX OF PARTS

PART NO	PAGE	REF NO.	PART NO	PAGE	REF NO.	PART NO	PAGE	REF NO.
SD0640271TP	92	8	SL4041291SC	2	38	SM3065052TC	80	54
SD0640391TP	28	55	SL4041291SC	48	56	SM4030401SC	62	26
SD0640482SP	28	56	SL4041291SC	60	21	SM4030455SN	34	74
SD0650305TP	24	53	SL4041291SC	66	19	SM4030855SN	62	30
SD0700312SD	52	19	SL4041291SC	68	36	SM4031851SR	78	31
SD0720321TP	28	54	SL4051081SF	78	29	SM4040801SN	62	6
SD0790311TP	24	54	SL4051291SC	68	14	SM4040855SP	44	3
SD0790433TP	40	20	SL4051485SE	76	63	SM4041001SC	88	29
SD0801021TP	14	51	SL4051485SE	80	63	SM4041201SC	88	31
SD1100301TP	24	55	SL6030692TN	20	96	SM4042001SC	88	32
SK3311601SE	76	57	SL6030892TN	46	29	SM4051405SE	88	9
SK3382001SE	80	52	SL6030892TN	60	7	SM4061201SE	88	20
SK3382001SE	88	23	SL6040892TN	16	45	SM4860601SC	52	47
SK3412001SC	68	9	SL6041092TN	60	25	SM4860801SC	38	48
SK3412001SE	90	17	SL6041092TN	76	64	SM4860801SC	40	36
SK3482001SE	80	64	SL6041092TN	102	43	SM6030402TP	52	50
SK3512001SF	80	61	SL6041292TN	40	16	SM6030402TP	54	50
SL4030631SC	64	51	SL6041292TN	46	30	SM6030402TP	64	49
SL4030681SC	82	15	SL6041292TN	50	23	SM6030502TP	64	54
SL4030681SF	80	66	SL6041292TN	52	40	SM6030602TP	56	46
SL4030691SC	40	34	SL6041492TN	14	55	SM6030860SP	16	46
SL4030891SC	78	26	SL6051292TN	46	34	SM6031002TP	40	15
SL4030891SC	82	22	SL6051292TN	70	28-33	SM6031202TP	56	23
SL4031291SC	18	62	SL6051292TN	76	66	SM6031402TP	58	70
SL4031291SC	40	17	SL6051642TN	46	35	SM6040602TN	76	68
SL4031681SC	102	33	SL6051692TN	46	33	SM6040602TP	22	15
SL4040681SC	78	30	SL6052042TN	52	25	SM6040802TP	56	32
SL4040681SC	82	27	SL6062042TN	66	9	SM6040802TP	60	27
SL4040881SF	78	25	SL6062092TN	56	28	SM6041002TP	46	36
SL4040891SC	76	73	SL6062092TN	62	17	SM6041002TP	58	52
SL4040891SC	78	57	SL6062092TN	68	19	SM6041002TP	62	45
SL4040891SC	80	57	SL6081242TN	74	36	SM6041202TN	16	43
SL4041081SC	74	46	SL6082092TN	52	17	SM6041202TP	18	66
SL4041091SC	2	22	SL6083092TN	64	56	SM6041202TP	40	29
SL4041091SC	6	54	SL6083092TN	66	15	SM6041402TP	62	41
SL4041091SC	8	54	SL6084092TN	66	17	SM6041602TP	62	2
SL4041091SC	30	13	SL6102042TN	74	35	SM6043052TN	56	60
SL4041091SC	40	32	SL9081693SE	74	32	SM6043052TN	58	60
SL4041091SC	56	77	SL9082583SE	74	33	SM6050802TN	76	65
SL4041091SC	58	77	SM0030801SC	30	14	SM6050802TP	48	60
SL4041091SC	68	38	SM0030801SC	36	2	SM6051002TP	16	13
SL4041091SC	70	26-29	SM0040801SC	2	8	SM6051202TP	14	56
SL4041091SC	78	38	SM0040801SC	56	7	SM6051602TP	16	49
SL4041281SC	58	59	SM1033001SC	78	36	SM6051602TP	18	49
SL4041281SF	78	28	SM1041001SC	62	28	SM6051802TP	16	47

NUMERICAL INDEX OF PARTS

PART NO	PAGE	REF NO.	PART NO	PAGE	REF NO.	PART NO	PAGE	REF NO.
SM6052002TN	76	70	SM8050602TP	58	54	SS4150715SP	4	61
SM6052002TP	18	78	SM8050602TP	60	29	SS4151215SP	2	35
SM6052002TP	46	37	SM8050602TP	62	32	SS5090610SP	32	39
SM6052502TP	10	28	SM8050612TP	74	45	SS5680740SP	90	1
SM6052502TP	18	48	SM8050842TP	74	43	SS6060220SP	96	6
SM6052502TP	62	15	SM8053002TP	22	21	SS6060410TP	14	52
SM6053502TP	14	57	SM8060602TP	18	57	SS6060410TP	32	43
SM6053502TP	102	35	SM8060602TP	60	16	SS6060440TP	96	12
SM6061002TP	52	18	SM8060612TP	10	22	SS6080410SP	4	57
SM6061202TN	18	51	SM8060802TP	10	15	SS6090440SP	12	6
SM6061202TR	66	14	SM8060802TP	46	43	SS6090440SP	42	35
SM6061610SC	88	3	SM8061212TP	74	39	SS6090810TP	6	50
SM6062002TN	82	11	SM8061242TP	74	41	SS6090810TP	8	50
SM6062002TP	68	21	SM8061612TP	10	23	SS6092120SP	42	24
SM6064002TR	62	21	SM8082012TN	74	37	SS6092420SP	62	39
SM6067552TP	68	20	SM9040603SC	16	44	SS6110420TP	32	45
SM6081802TP	62	13	SM9061203SE	74	34	SS6110480SP	14	53
SM6085002TN	68	32	SS1060210TP	22	40	SS6110610TP	2	34
SM6085002TN	76	59	SS1060210TP	36	4	SS6110610TP	18	73
SM6085002TN	102	37	SS1110640TP	44	5	SS6110610TP	24	56
SM6087002TN	64	59	SS2090710TP	62	19	SS6110610TP	36	16
SM6087002TN	66	3	SS2110920TP	10	26	SS6110610TP	52	26
SM6850402TN	98	4	SS2110920TP	18	71	SS6110610TP	92	9
SM6850502TN	6	41	SS2111140SP	34	73	SS6110630TP	46	44
SM6850502TN	50	38	SS4080610SP	62	35	SS6110640SP	24	57
SM6850802TN	60	32	SS4090515SP	28	58	SS6110810TP	18	52
SM8030402TP	52	28	SS4090515SP	42	29	SS6110810TP	28	57
SM8030402TP	56	39	SS4090615SP	28	49	SS6110820TP	6	40
SM8030412TP	58	74	SS4090615SP	42	31	SS6110820TP	34	61
SM8030502TP	40	33	SS4110515SP	18	74	SS6111010SP	66	20
SM8030802TP	52	29	SS4110515SP	42	5	SS6111010TP	18	81
SM8040412TP	56	41	SS4110615SP	2	20	SS6111010TP	50	27
SM8040462TP	102	34	SS4110615SP	30	22	SS6111052TP	36	19
SM8040502TP	16	25	SS4110715SP	2	13	SS6111140SP	2	25
SM8040502TP	46	39	SS4110715SP	16	88	SS6111140SP	92	7
SM8040602TP	56	57	SS4110715SP	18	88	SS6120620TP	2	45
SM8040602TP	58	57	SS4110715SP	96	11	SS6120930SP	24	60
SM8040602TP	60	18	SS4110815SP	2	17	SS6120930SP	42	7
SM8040602TP	62	46	SS4111015SP	36	43	SS6121210SP	18	54
SM8040612TP	74	42	SS4111015SP	42	40	SS6121212TP	12	32
SM8040802TP	40	27	SS4120615SP	2	42	SS6121212TP	32	33
SM8040802TP	50	29	SS4120615SP	42	30	SS6121610TP	40	26
SM8050602TP	40	28	SS4120915SP	30	5	SS6121840SP	36	5
SM8050602TP	46	40	SS4121615SP	26	13	SS6123010SP	36	14
SM8050602TP	50	24	SS4150715SP	2	61	SS6150710SP	36	9

NUMERICAL INDEX OF PARTS

PART NO	PAGE	REF NO.	PART NO	PAGE	REF NO.	PART NO	PAGE	REF NO.
SS6150760SN	36	8	SS8150822TP	12	22	WP0531000SC	20	98
SS6151040SP	4	54	SS8150822TP	24	63	WP0531000SD	10	29
SS6151210SP	6	1	SS8151230SP	50	4	WP0531000SD	18	79
SS6151210SP	40	37	SS8660330SP	34	55	WP0531000SD	46	61
SS6151220SP	10	27	SS8660512TP	18	58	WP0531000SD	48	61
SS6151220SP	12	21	SS8660610TP	10	19	WP0550800SP	18	83
SS6151412TP	10	16	SS8660610TP	12	47	WP0553216SD	24	65
SS6151412TP	18	77	SS8660612TP	32	58	WP0561616SC	46	46
SS6151440SP	40	25	SS8660612TP	34	58	WP0611626SP	40	18
SS6151712TP	40	21	SS8661012TP	24	64	WP0612056SE	80	55
SS6152212SP	18	53	SS8661012TP	34	59	WP0612066SP	40	23
SS6681712TP	10	17	SS8661212TP	34	60	WP0612516SD	68	22
SS7060310SP	50	28	SS9090410TP	36	37	WP0621016SH	18	84
SS7060310SP	52	30	SS9091010SP	36	38	WP0641600SC	2	46
SS7090410SP	22	41	SS9110453TP	4	65	WP0641601SC	82	12
SS7090410SP	36	31	SS9661230CP	10	18	WP0651056SD	28	61
SS7090510SP	26	38	TA0800504R0	82	20	WP0820526SD	46	47
SS7110350SP	30	9	TA1050504R0	2	39	WP0820526SD	50	19
SS7110710SP	4	52	TA1050504R0	36	21	WP0820526SD	90	33
SS7110710SP	24	58	TA1250406R0	2	36	WP0841601SC	64	61
SS7110740TP	22	27	TA1250406R0	34	69	WP0841601SC	66	4
SS7110840SP	2	64	TA1470704R0	2	37	WP0841601SC	68	33
SS7110840SP	4	64	TA2351305R0	74	27	WP0850002SC	76	60
SS7110840SP	6	39	WP0250501SC	50	39	WP0850002SC	102	38
SS7110840SP	18	82	WP0250516SD	96	7	WP0852086SC	66	5
SS7110840SP	24	59	WP0280500SC	98	5	WP0952616SD	12	7
SS7110840SP	36	36	WP0320500SC	36	46	WP0952616SD	34	62
SS7110840SP	94	5	WP0320501SD	64	53	WP0982616SP	64	66
SS7111110TP	12	23	WP0430800SD	18	69	WP1221016SP	48	48
SS7111120SP	28	59	WP0430800SD	40	30	WP1612616SE	88	17
SS7111120TP	32	54	WP0430801SE	56	68	WP2103001SE	60	14
SS7111120TP	34	54	WP0430801SE	58	68	WS0310002KR	36	47
SS7151120SP	6	28	WP0450801SD	28	50	WS0310702KS	78	32
SS8090710SP	40	19	WP0450801SD	44	4	WS0410002KP	18	70
SS8110310SP	10	6	WP0450801SD	50	5	WS0410002KP	40	31
SS8110422TP	8	51	WP0450801SD	66	21	WS0410002KR	22	10
SS8110422TP	18	50	WP0450801SP	30	10	WS0441040KP	52	21
SS8110520TP	10	5	WP0450826SC	80	62	WS0451040KP	66	22
SS8110520TP	12	48	WP0480856SP	4	53	WS0510002KN	88	24
SS8110520TP	14	48	WP0482086SD	26	8	WS0510002KP	10	30
SS8110520TP	34	79	WP0501016SC	90	18	WS0510002KP	14	58
SS8120740SP	16	86	WP0501016SD	24	51	WS0510002KP	18	80
SS8120740SP	18	86	WP0501016SD	38	50	WS0610002KN	76	48
SS8150510TP	8	52	WP0501046SC	68	39	WS0610002KN	80	56
SS8150822TP	2	10	WP0502616SD	36	39	WS0610002KN	82	13

NUMERICAL INDEX OF PARTS

PART NO	PAGE	REF NO.
WS0820002KN	62	60
WS0820002KN	64	60
WS0820002KN	66	6
WS0820002KR	76	62
WS0820002KR	102	39
WS1220002KP	6	25
WS1643202KR	88	19
WT0320001KN	96	8
WZ0430200KH	56	30
WZ2200300KP	60	13