

MODEL : LH-3126F

List No : 1261-04

# PARTS LIST

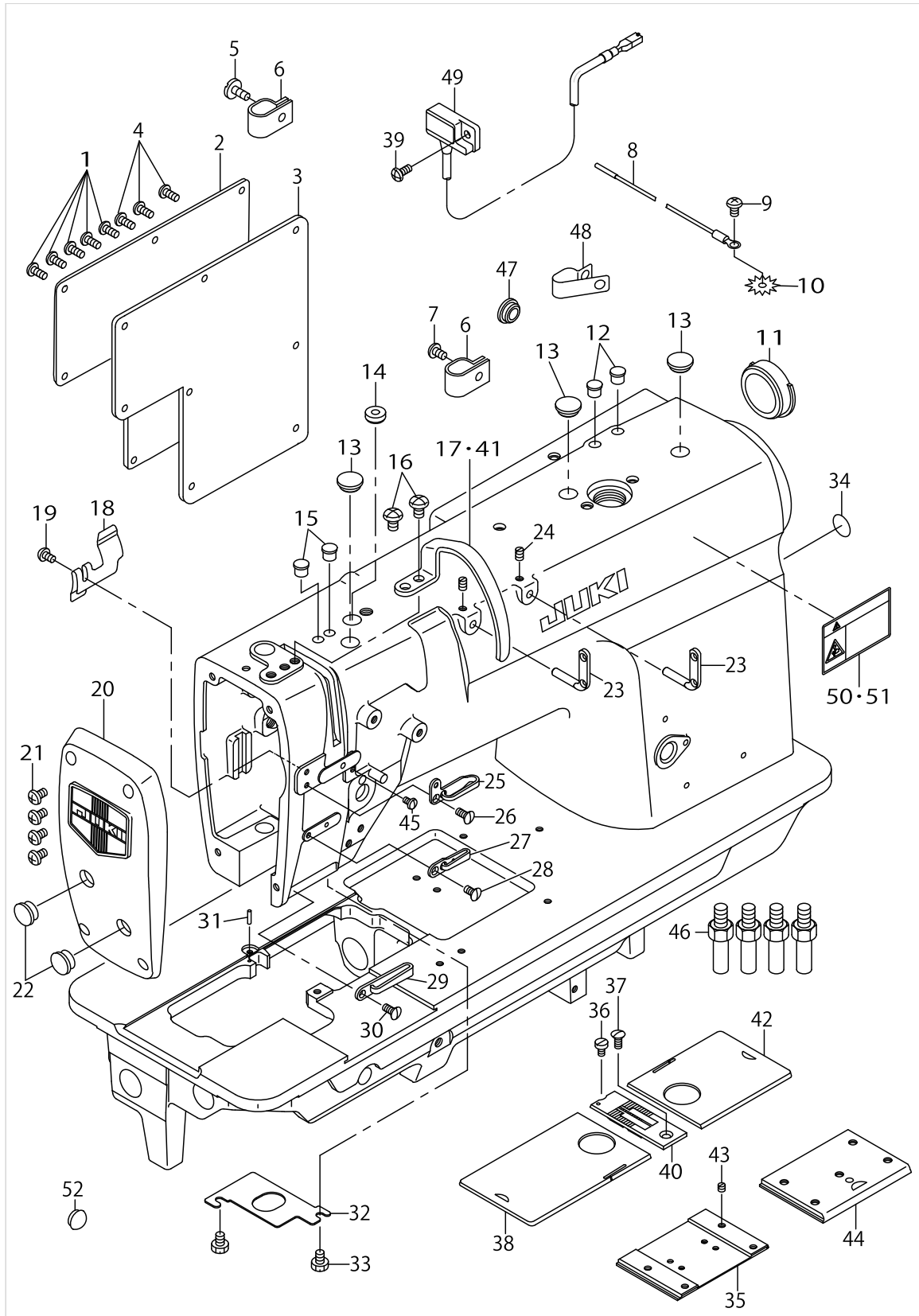
Published:09/22/2017

## CONTENTS

---

FRAME & MISCELLANEOUS COVER COMPONENTS .....	1
MAIN SHAFT, THREAD TAKE-UP & NEEDLE BAR COMPONENTS .....	5
TENSION POST COMPONENTS .....	9
HOOK & HOOK DRIVING SHAFT COMPONENTS .....	11
FEED MECHANISM COMPONENTS.....	15
PRESSER BAR & TENSION RELEASE COMPONENTS.....	19
AUTOMATIC REVERSE FEED MECHANISM COMPONENTS (FOR LH-3126F-OB).....	21
LUBRICATION COMPONENTS .....	23
BELT COVER & BOBBIN WINDER COMPONENTS .....	27
OIL RESERVOIR & KNEE LIFTER COMPONENTS.....	29
THREAD STAND COMPONENTS.....	31
TABLE OF EXCHANGING GAUGE PARTS.....	33
LIST FOR INFORMATION CHANGE .....	35
HOW TO MAKE USE OF THIS PARTS LIST .....	36

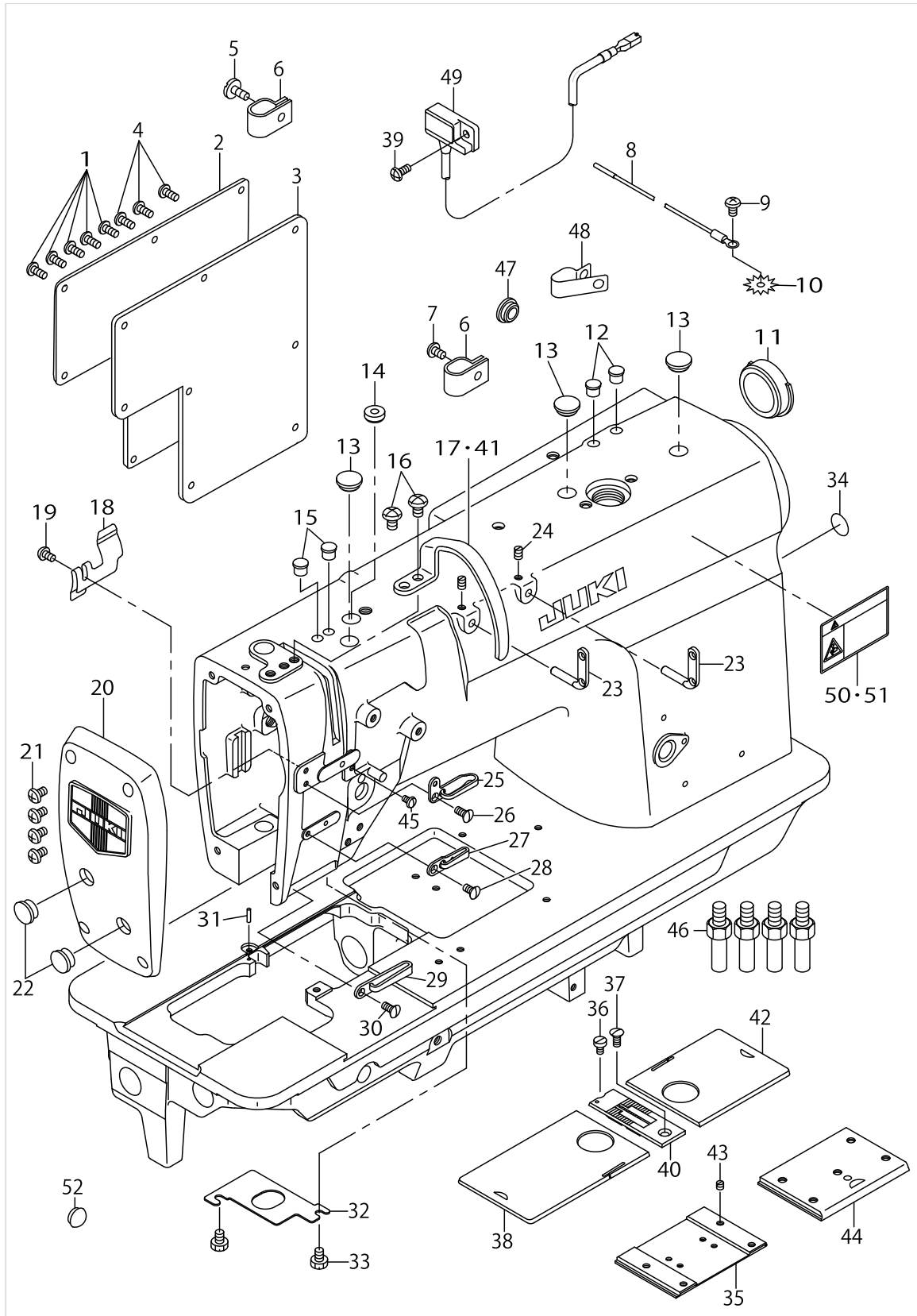
FRAME & MISCELLANEOUS COVER COMPONENTS



FRAME & MISCELLANEOUS COVER COMPONENTS

No.	Parts No.	Parts name	Remarks	Level	Cons	Qty
1	SS4110815SP	SCREW 11/64-40 L=8				5
2	10602902	SLIDE PLATE				1
3	10101004	GASKET				1
4	SS4110815SP	SCREW 11/64-40 L=8	FOR LH-3126F			3
5	SS6111140SP	SCREW 11/64-40 L=11	FOR LH-3126F-OB			3
6	D2112555B00	CORD HOLDER, LARGE	FOR LH-3126F-OB			2
7	SS4120615SP	SCREW 3/16-28 L=6	FOR LH-3126F-OB			1
8	22951552	GROUND WIRE ASM.	FOR LH-3126F-OB			1
9	SS4120615SP	SCREW 3/16-28 L=6	FOR LH-3126F-OB			1
10	WT0530002KS	TOOTHED WASHER D=5.3	FOR LH-3126F-OB			1
11	22619100	CAP				1
12	TA0490601R0	PLUG D=4.9X5.5 L=6				2
13	TA1250406R0	RUBBER PLUG D=12.5 L=4				3
14	22620900	CAP				1
15	TA0750704R0	RUBBER PLUG				2
16	SS4150915SP	SCREW 15/64-28 L=9				2
17	22602007	THREAD TAKE-UP LEVER OIL GUARD	EXCEPT JAPAN & JE			1
18	23204803	LUBRICATING GUIDE				1
19	SS3090610SP	SCREW 9/64-40 L=6				1
20	22602254	FACE PLATE ASM.				1
21	SS4121015SP	SCREW 3/16-28 L=10				4
22	TA1250406R0	RUBBER PLUG D=12.5 L=4				2
23	22920706	TWO EYELET				2
24	SS8120740SP	SCREW 3/16-28 L=7				2
25	22811400	THREAD GUIDE(UPPER), LEFT				1
26	SS2090710SP	SCREW 9/64-40 L=7				1
27	22603112	THREAD GUIDE				1
28	SS2090710TP	SCREW 9/64-40 L=7.2				1
29	22603203	THREAD GUIDE(LOWER)	EXCEPT JAPAN			1
30	SS2090710SP	SCREW 9/64-40 L=7				1
31	B1104051000	THROAT PLATE PIN				1
32	22602304	PLATE				1
33	SS9110460CP	SCREW 11/64-40 L=4				2
34	10004109	GROUND MARK				1
35	23206709	BED SLIDE (FRONT) A	SELECTIVE PART			1
36	SS6090630SP	SCREW 9/64-40 L=6				1
37	SS2110920TP	SCREW 11/64-40 L=8.5				1
38	22601058	BED SLIDE LEFT, ASM., A				1
39	SS4111015SP	SCREW 11/64-40 L=10	FOR LH-3126F-OB			1
40	22625503	THROAT PLATE 1/4	EXCHANGING GAUGE PARTS (SEE P.23, 24)			1
41	22818009	BALANCE COVER(FOR JE)	FOR JE, JAPAN			1
42	22600555	BED SLIDE RIGHT, ASM., A				1
43	SS8110410TP	SCREW 11/64-40 L= 3.5	SELECTIVE PART			1
44	B11100510A0	BED SLIDE ASM.				1
45	SS5090610SP	SCREW 9/64-40 L=6				1
46	22602601	BED SCREW STUD				4

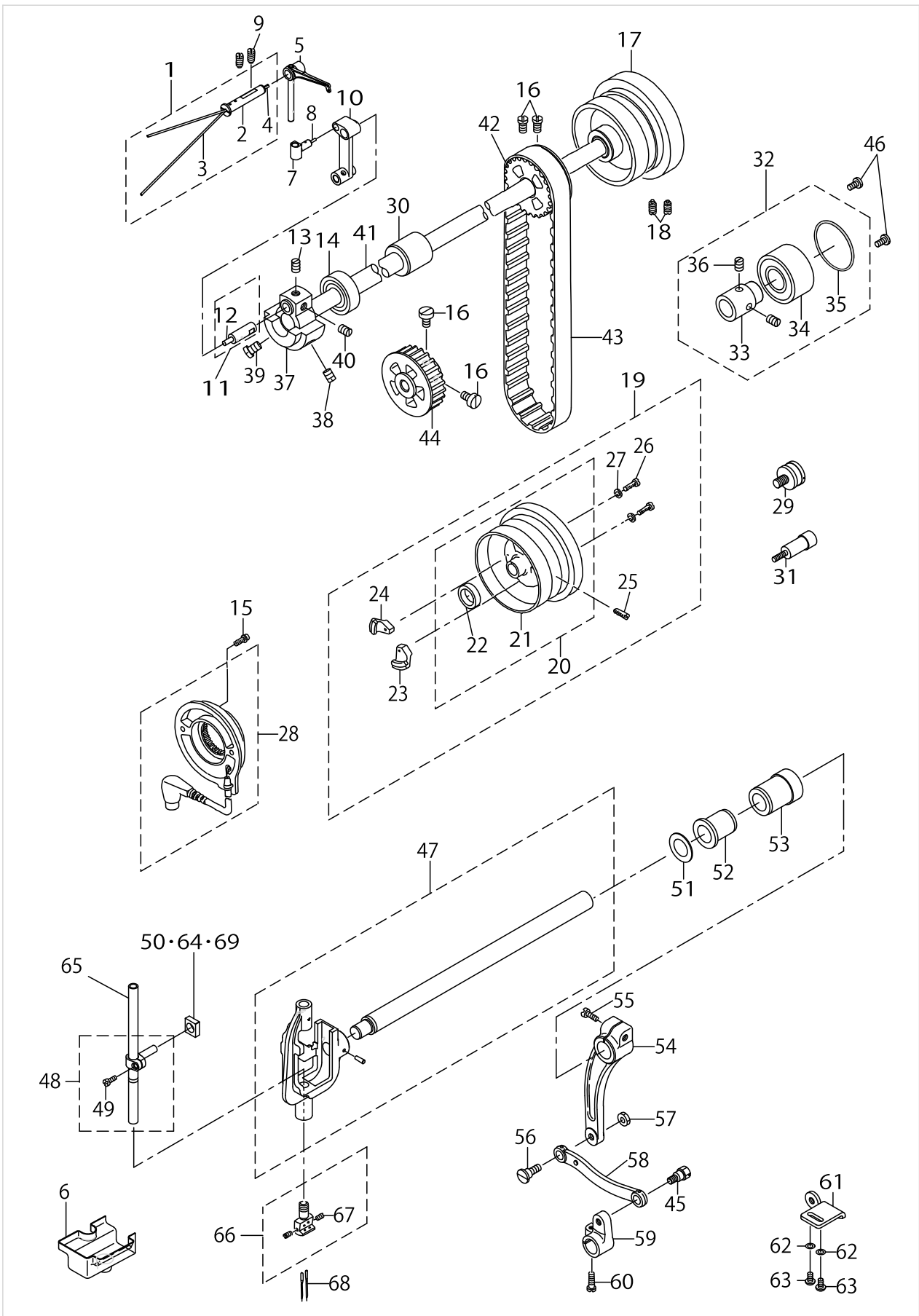
FRAME & MISCELLANEOUS COVER COMPONENTS



FRAME & MISCELLANEOUS COVER COMPONENTS

No.	Parts No.	Parts name	Remarks	Level	Cons	Qty
47	TA1250406R0	RUBBER PLUG D=12.5 L=4				1
48	D2112555B00	CORD HOLDER, LARGE	FOR LH-3126F-OB			3
49	M6046350AAA	RESISTANCE PACK ASM, AA.	FOR LH-3126F-OB			1
50	CM3002001A1	SAFETY LABEL.,3 (SMALL).	EXCEPT JAPAN & JE			1
51	CM300200101	SAFETY LABEL, 1(SMALL).	FOR JAPAN			1
52	TA1250406R0	RUBBER PLUG D=12.5 L=4				1

MAIN SHAFT, THREAD TAKE-UP & NEEDLE BAR COMPONENTS

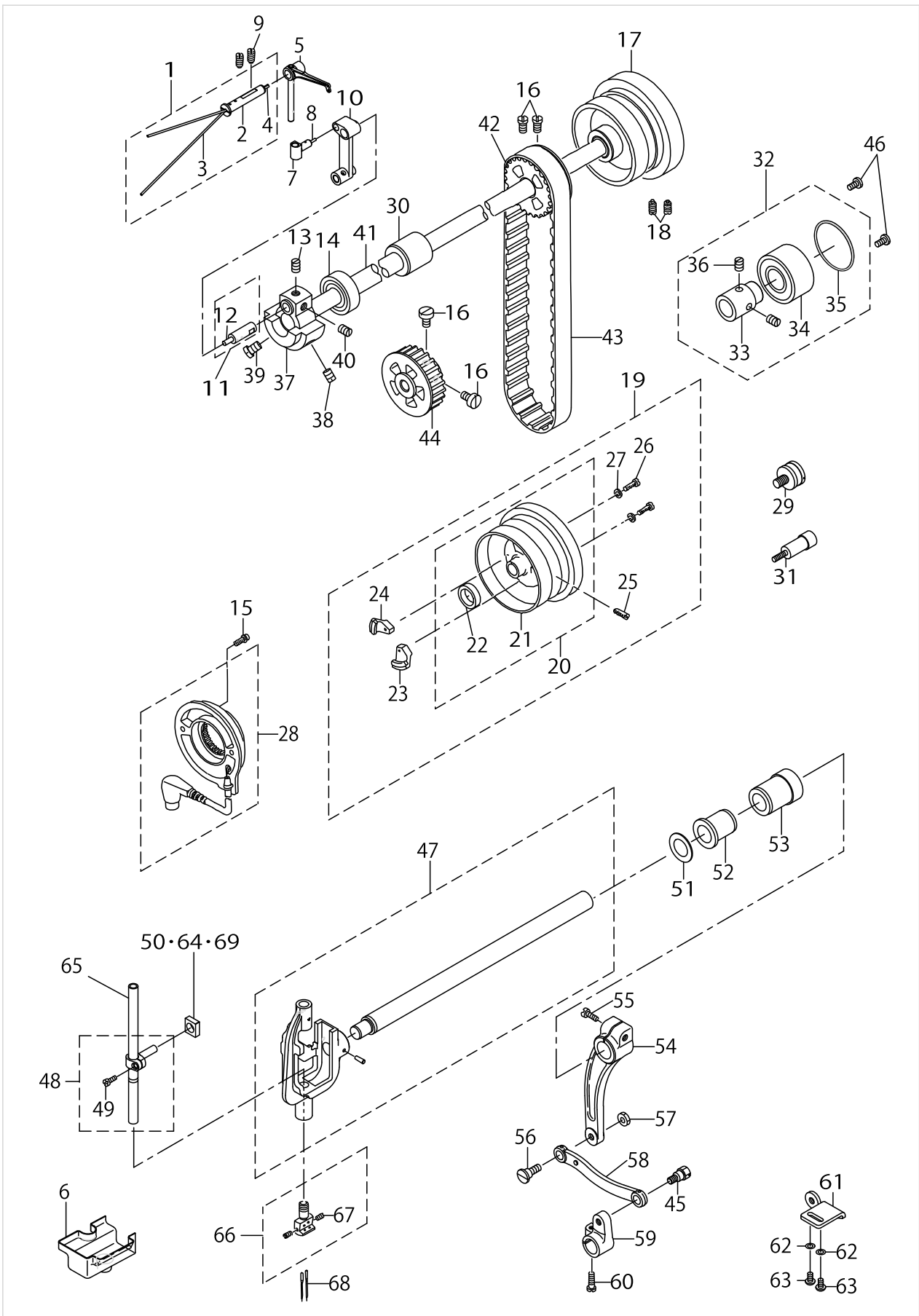


MAIN SHAFT, THREAD TAKE-UP & NEEDLE BAR COMPONENTS

No.	Parts No.	Parts name	Remarks	Level	Cons	Qty
1	22605356	THREAD TAKE-UP LEVER PIN ASM.				1
2	22605307	THREAD TAKE-UP LEVER PIN		*		1
3	CQ202000000	OIL WICK		*		0.48
4	CQ252000000	OIL WICK		*		0.04
5	23203904	TAKE-UP LEVER C				1
6	22606800	OIL GUARD RUBBER				1
7	22605406	TAKE-UP LEVER THRUST PIN				1
8	CQ252000000	OIL WICK				0.03
9	SS8151150TP	SCREW 15/64-28 L=10.5				2
10	23204308	NEEDLE BAR CRANK ROD				1
11	B12105260A0	NEEDLE BAR CRANK PIN ASM.				1
12	CQ505000000	OIL WICK		*		0.1
13	SS8680540SP	SCREW 9/32-28 L= 4.5				1
14	B1202512000	MAIN SHAFT BUSHING, FRONT				1
15	10604809	SCREW	FOR LH-3126F-OB			2
16	SS6661110SP	SCREW 1/4-40 L=11				4
17	22604508	HAND WHEEL	FOR LH-3126F			1
18	SS8151550SP	SCREW 15/64-28 L=15	FOR LH-3126F			2
19	22651566	HAND WHEEL ASM.	FOR LH-3126F-OB			1
20	22651558	HAND WHEEL		*		1
21	22651509	HAND WHEEL		*		1
22	M4002110000	GENERATOR ROTOR		*		1
23	M40071100AA	MAGNET FITTING BASE A ASM.		*		1
24	M40071100AB	MAGNET FITTING BASE B ASM.		*		1
25	SS8151550SP	SCREW 15/64-28 L=15		*		2
26	SS6111210SP	SCREW 11/64-40 L=12		*		2
27	WP0450801SD	WASHER 4.5X10X0.8		*		2
28	11032562	DYNAMO STATOR	FOR LH-3126F-OB			1
29	22622401	SYNCRO FRNGE	OPTIONAL PARTS			1
30	22603906	UPPER SHAFT INNER METAL				1
31	22622351	SENSOR SUPPORT SHAFT ASM.	OPTIONAL PARTS			1
32	22604656	THRUST COLLAR ASM.				1
33	22604607	THRUST COLLAR		*		1
34	SB120000100	BEARING D=20X47		*		1
35	RO437200200	RUBBER RING		*		1
36	SS8660530TP	SCREW 1/4-40 L= 4.5		*		2
37	22604409	COUNTERWEIGHT				1
38	SS8681650TP	SCREW 9/32-28 L=16				1
39	SS7681750TP	SCREW 9/32-28 L=16.5				1
40	SS8680810TP	SCREW 9/32-28 L=8.0				1
41	22604003	MAIN SHAFT				1
42	22604904	UPPER SPROCKET				1
43	22604300	TIMING BELT				1
44	23208408					1
45	SD0870603TP	HINGE SCREW D=8.73 H=6				1
46	SS7120760SP	SCREW 3/16-28 L= 7.0				2
47	23204258	NEEDLE BAR ROCKING BASE ASM.				1



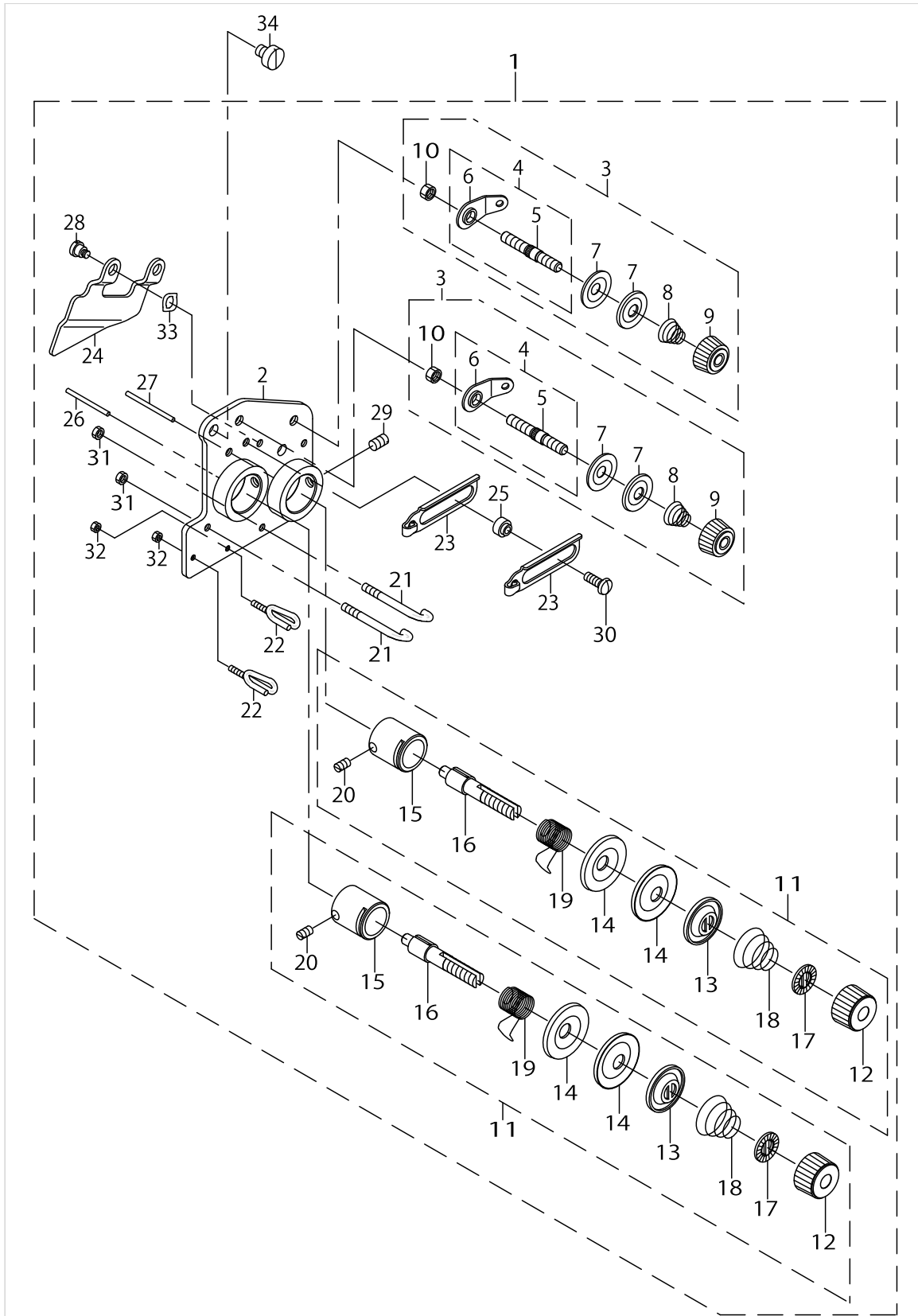
MAIN SHAFT, THREAD TAKE-UP & NEEDLE BAR COMPONENTS



MAIN SHAFT, THREAD TAKE-UP & NEEDLE BAR COMPONENTS

No.	Parts No.	Parts name	Remarks	Level	Cons	Qty
48	10104859	NEEDLE BAR CONNECTION ASM.				1
49	SS7090910SP	SCREW 9/64-40 L= 8.5		*		1
50	23204506	ROCKING ROD SQUARE BLOCK A	SELECTIVE PARTS			1
51	B1438512B00	WASHER 17.1X28X1.5	SELECTIVE PARTS			1
52	22607303	BUSHING				1
53	22607402	BUSHING				1
54	22607006	REAR ARM				1
55	SS6152440SP	SCREW 15/64-28 L=23.5				1
56	SD0870601SP	HINGE SCREW D= 8.73 H= 6.0				1
57	NS6150430SP	NUT 15/64-28				1
58	22607105	DRIVING ROD				1
59	22607204	DRIVING ARM				1
60	SS6121610TP	SCREW 3/16-28 L=15.5				1
61	23200306	ROCKING ROD FIXING PLATE				1
62	WP0480856SP	WASHER 4.8X8.4X0.8				2
63	SS4110815SP	SCREW 11/64-40 L=8				2
64	23204605	ROCKING ROD SQUARE BLOCK B	SELECTIVE PARTS			1
65	22651905	NEEDLE BAR				1
66	10148054	NEEDLE CLAMP ASM. 1/4	ORDER FOR NEEDLE CLAMP ONLY CANNOT BE ACCEPTED.			1
67	SS8080660TP	SCREW 1/8-44 L=5.5		*		2
68	MDP500B1000	NEEDLE DPX5 #10				2
69	23204704	ROCKING ROD SQUARE BLOCK C	SELECTIVE PARTS			1

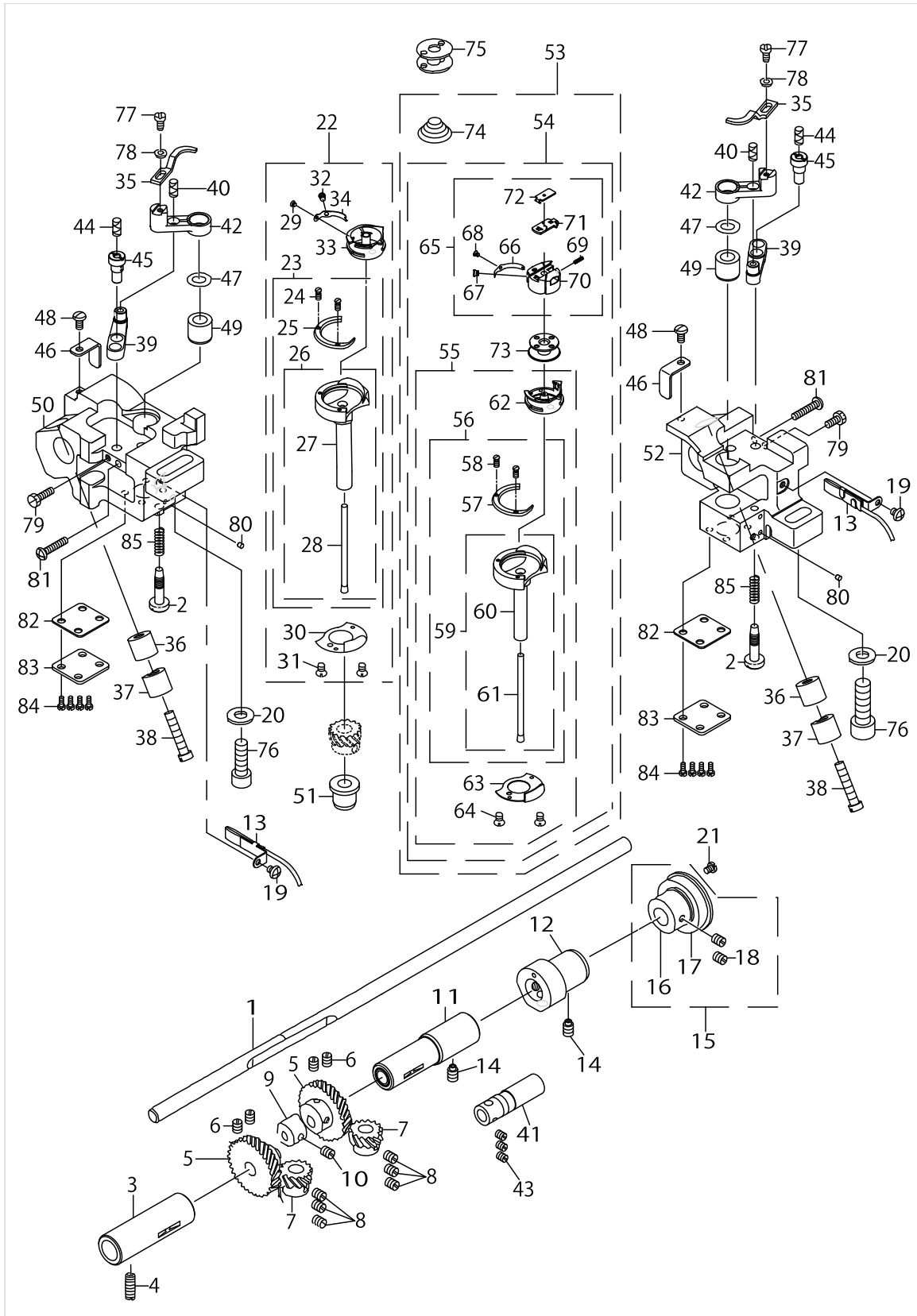
# TENSION POST COMPONENTS



TENSION POST COMPONENTS

No.	Parts No.	Parts name	Remarks	Level	Cons	Qty
1	23202955	THREAD TENSION ASM.				1
2	23203052	THREAD TENSION PLATE COMPL.		*		1
3	22529481	BOBBIN THREAD TENSION ASM.		*		2
4	22529473	BOBBIN THREAD TENSION ROD ASM.		*		1
5	22529515	BOBBIN THREAD TENSION ROD		*		1
6	22529408	BOBBIN THREAD GUIDE		*		1
7	B3214047000	BOBBIN WINDER TENSION DISC		*		2
8	11093606	THREAD TENSION SPRING		*		1
9	11072402	THREAD TENSION NUT		*		1
10	NS6110310SP	NUT 11/64-40		*		1
11	11073756	THREAD TENSION ASM.		*		2
12	11072204	TENSION NUT		*		1
13	B3132552000	THREAD TENSION DISK PRESSER		*		1
14	B3126012000	THREAD TENSION DISK		*		2
15	B3111126000	TENSION POST SOCKET		*		1
16	B3115552000	TENSION POST		*		1
17	B3120125000	ROTATING STOPPER		*		1
18	D3129555D00	THREAD TENSION SPRING		*		1
19	D3128555D00	TAKE-UP SPRING		*		1
20	SS8090670SP	SCREW 9/64-40 L= 5.5		*		1
21	B1118512000A	THREAD GUIDE A		*		2
22	B1121512000	FRAME THREAD GUIDE		*		2
23	23203201	TAKE-UP THREAD GUIDE		*		2
24	23203409	DISH TENSION RELEASE PLATE		*		1
25	23203300	THREAD GUIDE COLLAR		*		2
26	B3118552H00	THREAD RELEASE PIN		*		1
27	B3118552E00	TENSION RELEASING		*		1
28	SD0470281SP	HINGE SCREW D=4.7 H=2.8		*		2
29	SS8110750SP	SCREW 11/64-40 L= 6.5		*		2
30	SS5091020SP	SCREW 9/64-40 L= 9.5		*		2
31	NS6080210SP	NUT 1/8-44		*		2
32	NS6060220SH	NUT 3/32-56		*		2
33	WZ0541510KP	WAVED WASHER 5.4X9.0X0.3		*		2
34	SS6120620TP	SCREW				2

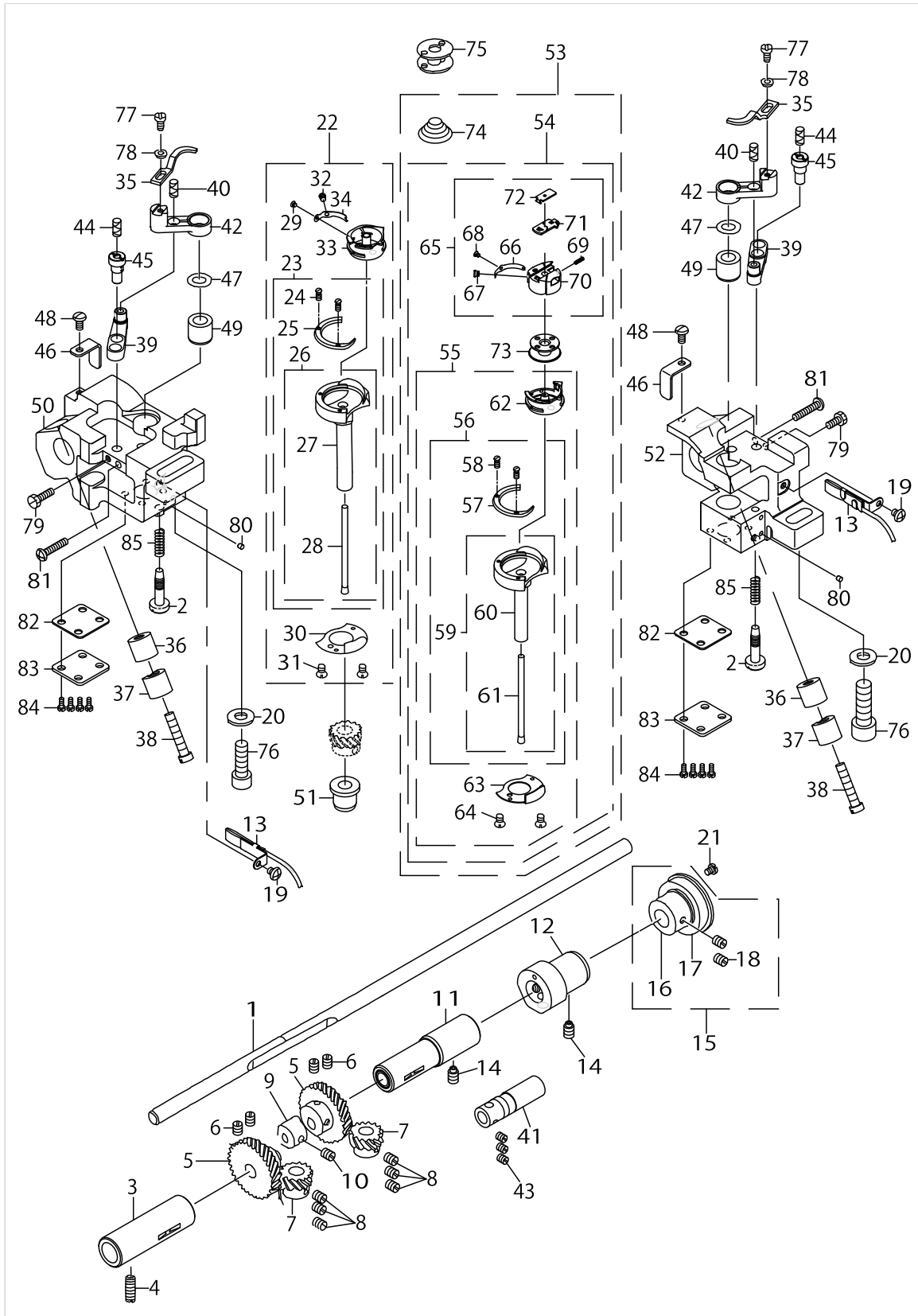
# HOOK & HOOK DRIVING SHAFT COMPONENTS



## HOOK & HOOK DRIVING SHAFT COMPONENTS

No.	Parts No.	Parts name	Remarks	Level	Cons	Qty
1	22623102	LOWER SHAFT B				1
2	B3514412000	OIL ADJUSTING SCREW				2
3	B18025120AB	BUSHING ASM., FRONT				1
4	SS8151150SP	SCREW 15/64-28 L=10.5				1
5	B1816512000	HOOK DRIVING SHAFT, LARGE				2
6	SS8660810TP	SCREW 1/4-40 L=8				4
7	10112001	HOOK SHAFT GEAR, A	SELECTIVE PARTS			2
8	SS8660530TP	SCREW 1/4-40 L= 4.5				6
9	22609804	FEED DRIVING CAM				1
10	SS8660530TP	SCREW 1/4-40 L= 4.5				1
11	10112357	BUSHING ASM. INTERMEDIATE				1
12	22611701	PLUNGER BUSHING, B				1
13	23202658	GEAR OIL WICK SUPPORT ASM.				2
14	SS8151150SP	SCREW 15/64-28 L=10.5				2
15	22611651	THRUST COLLAR ASM., B				1
16	22611602	THRUST COLLAR, B		*		1
17	SB120000200	BEARING 20X42		*		1
18	SS8661030SP	SCREW 1/4-40 L=10		*		2
19	SS4110515SP	SCREW 11/64-40 L=5				2
20	WP0850002SP	WASHER 8.5X18X1.6				2
21	SS7120760SP	SCREW 3/16-28 L= 7.0				2
22	23209455	LATCH HOOK ASM.	SELECTIVE PARTS			2
23	23201353	OUTER HOOK ASM.		*		1
24	10112803	SCREW		*		2
25	23209307	INNER HOOK PRESSER		*		1
26	23208952	OUTER HOOK ASM.		*		1
27	23201304	OUTER HOOK		*		1
28	23201700	HOOK SHAFT OIL WICK		*		1
29	10110500	TENSION SPRING INSTALLING SCRE		*		1
30	22612303	NEEDLE POSITIONER		*		1
31	10112902	SCREW		*		2
32	10110609	TENSION ADJUSTING SCREW		*		2
33	23209505	LATCH INNER HOOK		*		1
34	23209604	LOWER THREAD TENSION SPRING		*		1
35	23202203	INNER HOOK GUIDE				2
36	10109908	SADDLE INSTALLING BLOCK, UPPER				2
37	10112407	SADDLE INSTALLING BLOCK, LOWER				2
38	SS6153040SP	SCREW 15/64-28 L=30				2
39	23202104	INNER HOOK GUIDE LINK				2
40	CQ303000000	OIL WICK				0.02
41	22611909	OIL PUMP SHAFT				1
42	23202005	INNER HOOK GUIDE ARM				2
43	SS8660530TP	SCREW 1/4-40 L= 4.5				3
44	CQ303000000	OIL WICK				0.03
45	23202302	INNER HOOK GUIDE ARM SHAFT				2
46	23202807	LOWER SHAFT SCREW GEAR GUIDE				2
47	10110906	BUSHING THRUST 1.1	SELECTIVE PARTS			2

# HOOK & HOOK DRIVING SHAFT COMPONENTS

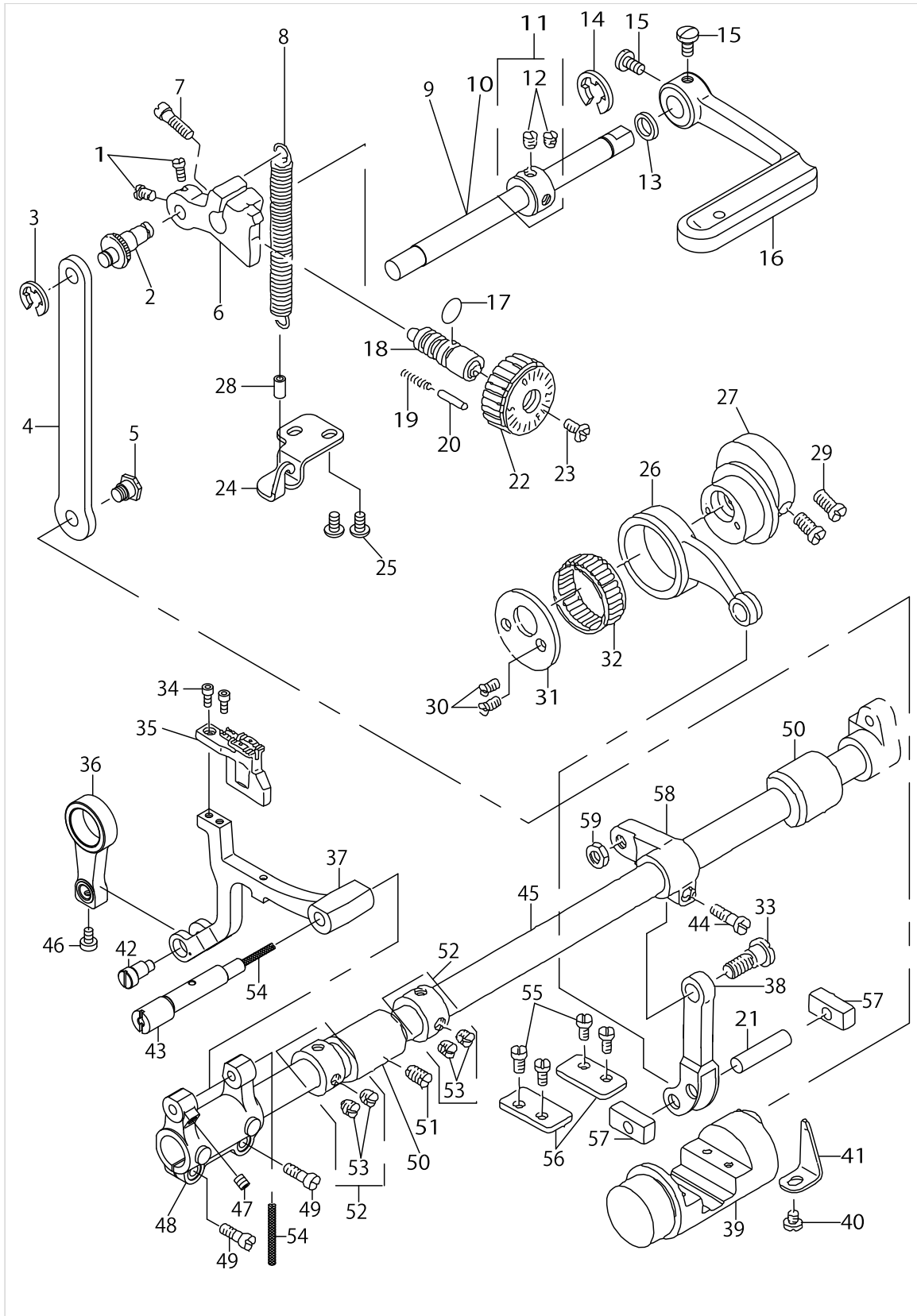


HOOK & HOOK DRIVING SHAFT COMPONENTS

No.	Parts No.	Parts name	Remarks	Level	Cons	Qty
48	SS4110815SP	SCREW 11/64-40 L=8				2
49	22613905	HOOK SHAFT UPPER METAL				2
50	23201908	HOOK SHAFT BASE, LEFT				1
51	22613400	HOOK DRIVING SHAFT BUSHING				2
52	23201817	HOOK DRIVING SHAFT BASE RIGHT				1
53	23201163	NOT ROTATION BOBBIN HOOK ASM.	SELECTIVE PARTS			2
54	23201155	NOT ROTATION BOBBIN HOOK ASM.		*		1
55	23201254	NOT ROTATION BOBBIN HOOK		*		1
56	23201353	OUTER HOOK ASM.		*		1
57	23209307	INNER HOOK PRESSER		*		1
58	10112803	SCREW		*		2
59	23208952	OUTER HOOK ASM.		*		1
60	23201304	OUTER HOOK		*		1
61	23201700	HOOK SHAFT OIL WICK		*		1
62	23201403	INNER HOOK		*		1
63	22612303	NEEDLE POSITIONER		*		1
64	10112902	SCREW		*		2
65	23201551	BOBBIN CASE ASM.		*		1
66	23209703	LOWER THREAD TENSION SPRING		*		1
67	10110500	TENSION SPRING INSTALLING SCRE		*		1
68	22612907	TENSION ADJUSTING SCREW		*		1
69	23209802	LATCH SPRING		*		1
70	23201502	BOBBIN CASE		*		1
71	23203508	LATCH PLATE		*		1
72	23203607	LATCH LEVER		*		1
73	23201601	BOBBIN		*		1
74	10111508	SPRING		*		1
75	10210805	HARD ALUMITE BOBBIN	FOR NO.22:232-09455 (LATCH HOOK ASM.)			2
76	SM6082502TP	SCREW M8 L=25				2
77	SS6090810SP	SCREW 9/64-40 L= 7.5				2
78	WP0371016SD	WASHER 3.7X8X1				2
79	SS9111510SP	SCREW 11/64-40 L=15				2
80	TA0290301M0	RUBBER PLUG				2
81	SS4112215SP	SCREW 11/64-40 L=22				2
82	23202500	HOOK SHAFT BASE COVER PACKING				2
83	23202401	HOOK SHAFT BASE COVER				2
84	SS4110815SP	SCREW 11/64-40 L=8				8
85	D3171415B0H	PRESSER SPRING				2



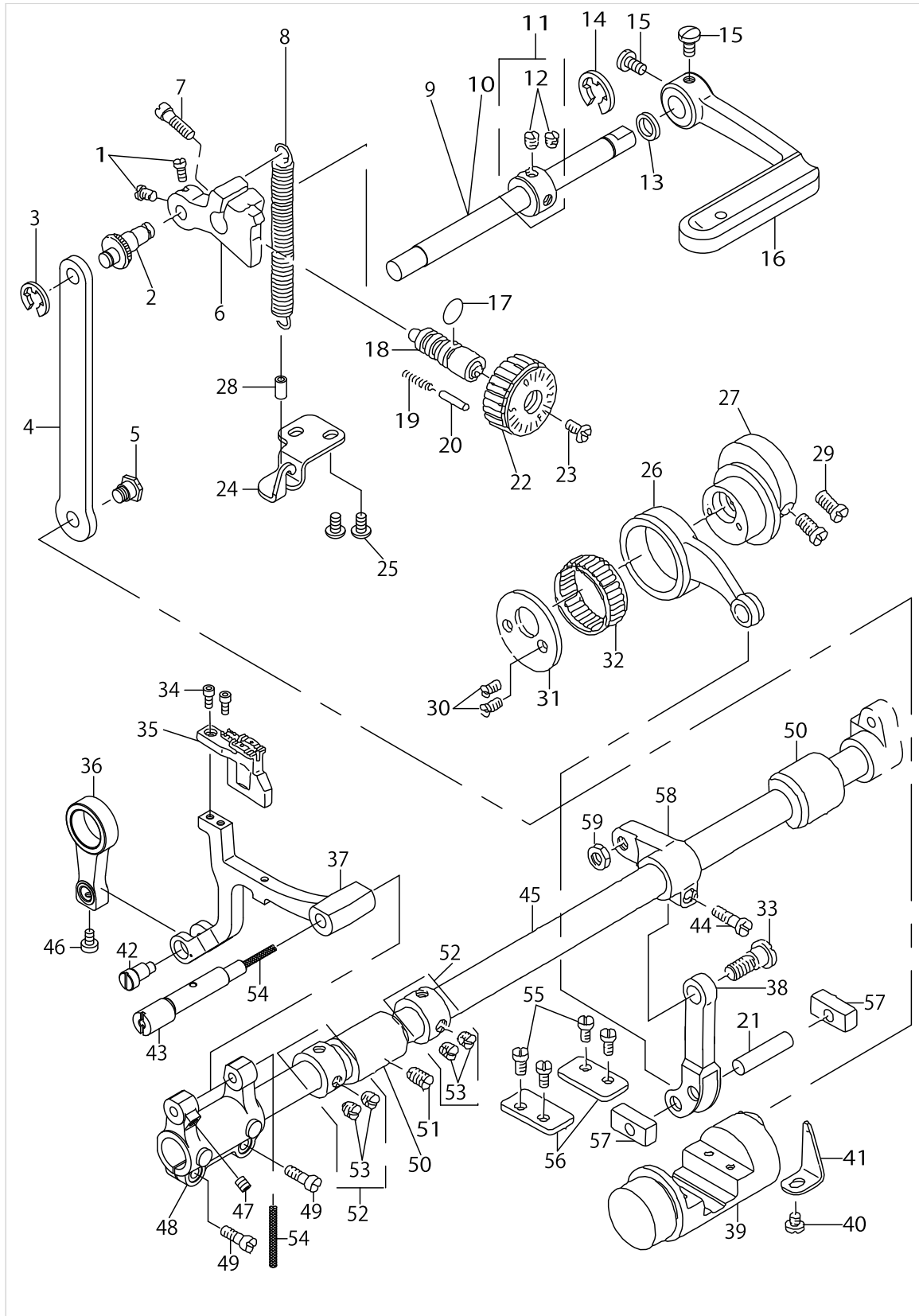
# FEED MECHANISM COMPONENTS



FEED MECHANISM COMPONENTS

No.	Parts No.	Parts name	Remarks	Level	Cons	Qty
1	SS6090670TP	SCREW 9/64-40 L=6				2
2	22610109	ROD PIN				1
3	RE0500000K0	E-RING				1
4	22610208	FEED REGULATOR CONNECTING ROD				1
5	SD0800422CP	HINGE SCREW D= 8 H= 4.2				1
6	22610000	FEED REGULATOR				1
7	SS7121410SP	SCREW 3/16-28 L=14				1
8	22610307	FEED REGULATOR SPRING				1
9	22610604	REVERSE FEED SHAFT	FOR LH-3126F			1
10	22652101	REVERSE FEED SHAFT	FOR LH-3126F-OB			1
11	CS102121ASH	THRUST COLLAR ASM. D=10.2 W=12				1
12	SS8660610TP	SCREW 1/4-40 L=6		*		2
13	10108009	OIL SEAL				1
14	RE0900000K0	E-RING 9				1
15	SS7120910SP	SCREW 3/16-28 L=9	FOR LH-3126F			2
16	22610901	REVERSE FEED CONTROL LEVER, F				1
17	RO092270200	RUBBER RING				1
18	11009909	FEED REGULATOR SCREW				1
19	B1148555000	SPRING				1
20	11052701	PIN				1
21	B1653470000	PIN				1
22	11072006	FEED DIAL				1
23	SS6121860SP	SCREW 3/16-28 L=18				1
24	22610406	SPRING BRACKET				1
25	SS4110815SP	SCREW 11/64-40 L=8				2
26	22609200	FEED ROCK SHAFT CONNECTING ROD				1
27	22609002	FEED DRIVE ECCENTRIC CAM, B				1
28	BT0500300EA	OIL TUBE				0.09
29	SS6661110SP	SCREW 1/4-40 L=11				2
30	SS7110710SP	SCREW 11/64-40 L=7				2
31	22609101	CAM COVER				1
32	B1636581B00	NEEDLE BEARING B				1
33	SD0900701TP	HINGE SCREW D= 9 H= 7				1
34	SS6580752TP	SCREW 1/8-40 L=7				2
35	B1613512F0B	FEED DOG 1/4	EXCHANGING GAUGE PARTS (SEE P23, 24)			1
36	23200801	VERTICAL FEED LINK				1
37	23200504	FEED BASE				1
38	10315208	FEED ROCK CONNECTING ROD				1
39	10315455	FEED DRIVING ROCKER ASM.				1
40	SS7110510SP	SCREW 11/64-40 L=5				1
41	B1633470000	STOPPER PLATE				1
42	23200900	VERTICAL FEED LINK SHAFT				1
43	23200702	FEED BASE SHAFT				1
44	SS6121610TP	SCREW 3/16-28 L=15.5				1
45	23201007	HORIZONTAL FEED SHAFT				1
46	SS6090612TP	SCREW 9/64-40 L=6				1

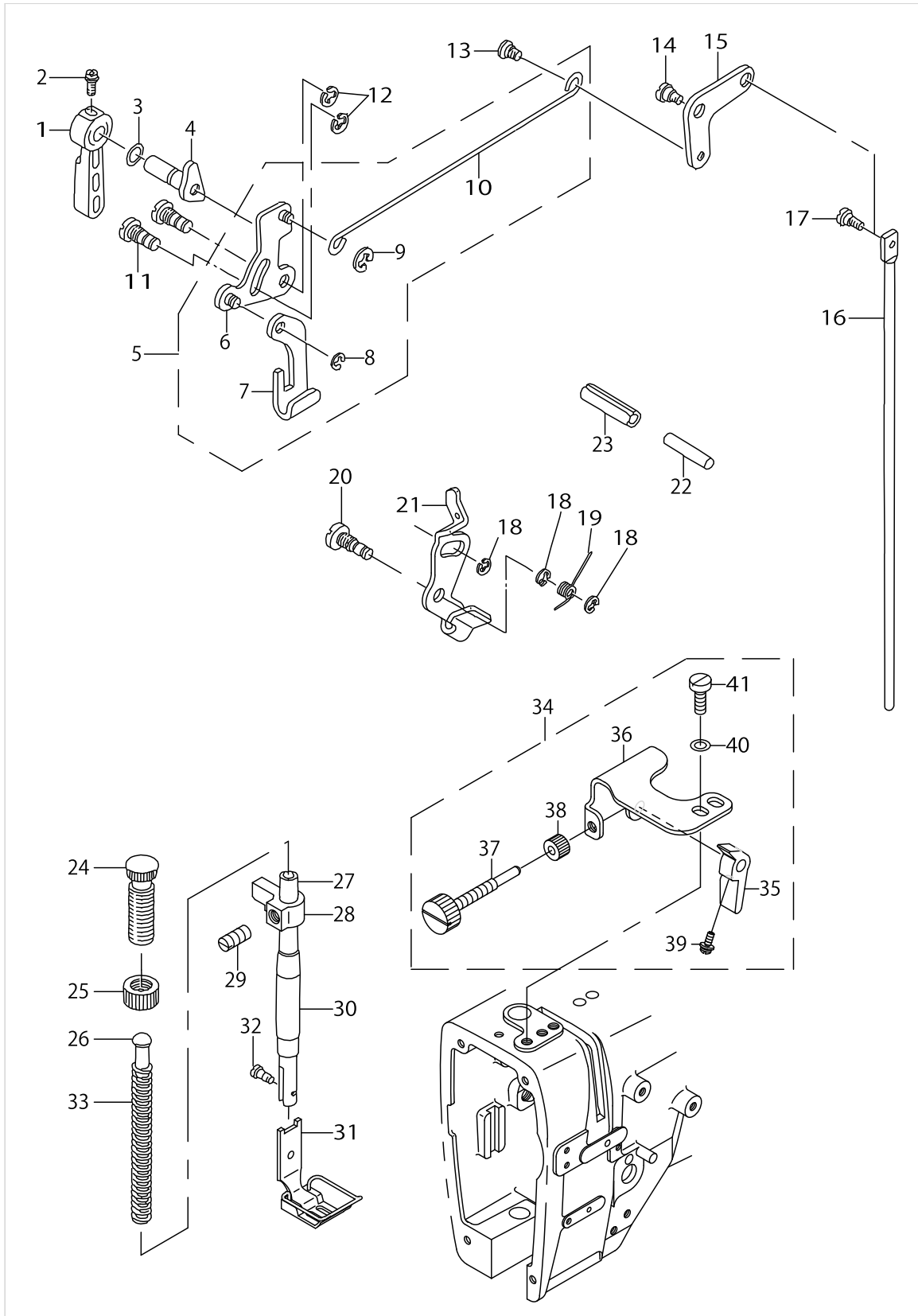
FEED MECHANISM COMPONENTS



FEED MECHANISM COMPONENTS

No.	Parts No.	Parts name	Remarks	Level	Cons	Qty
47	SS8110510SP	SCREW 11/64-40 L=5				1
48	23200603	FEED BASE ARM				1
49	SS7111310TP	SCREW 11/64-40 L=12.8				2
50	10106102	BUSHING				2
51	SS8151150SP	SCREW 15/64-28 L=10.5				1
52	22904155	MAIN SHAFT THRUST COLLAR ASM.				2
53	SS8660530TP	SCREW 1/4-40 L= 4.5		*		2
54	CQ252000000	OIL WICK				0.26
55	SS7110910SP	SCREW 11/64-40 L=8.5				4
56	10315505	PLATE				2
57	22609606	FEED DRIVING ROCKER BLOCK, S				2
58	22609309	FEED ROCKER SHAFT CRANK				1
59	NS6680320SP	NUT 9/32-28				1

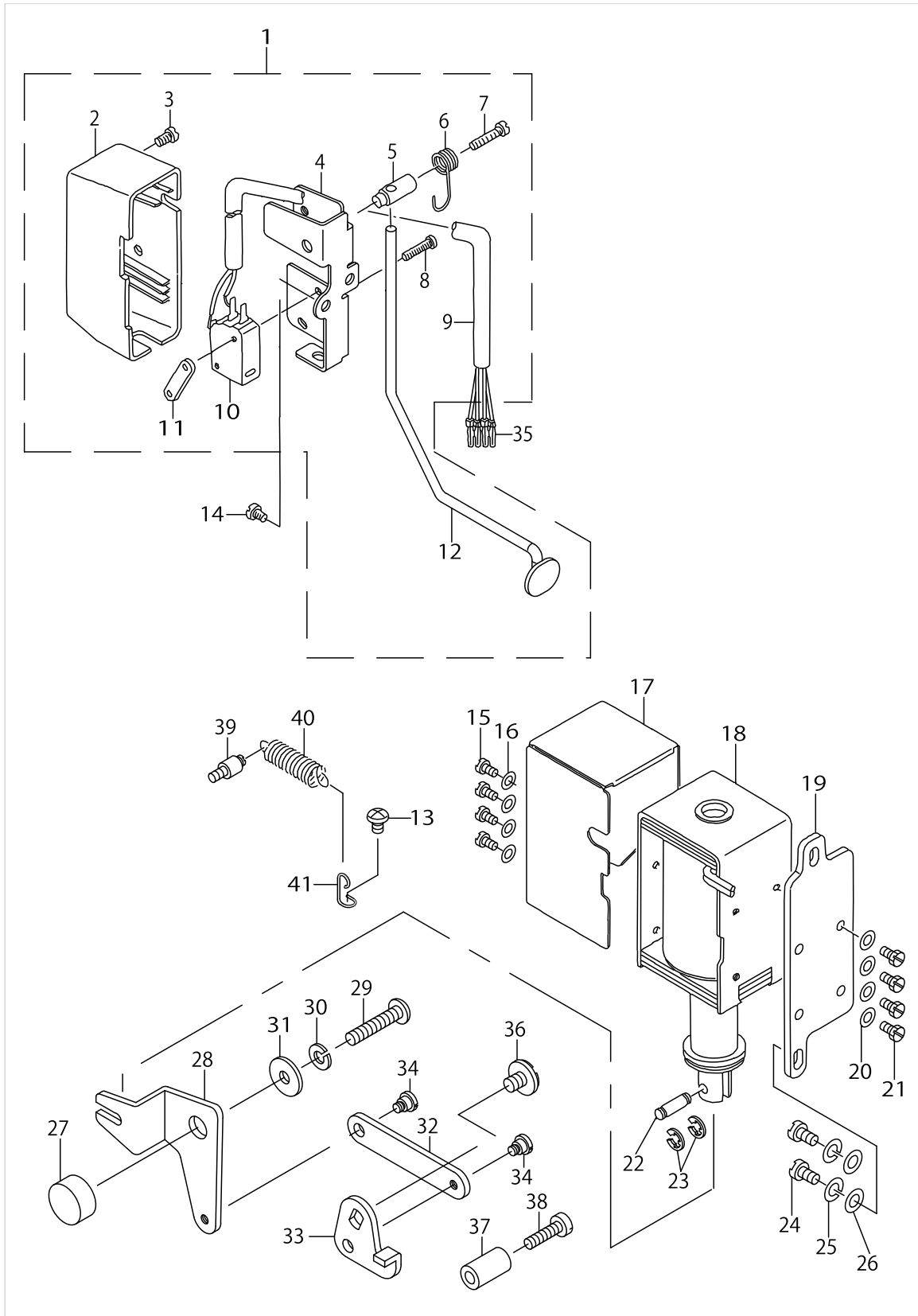
# PRESSER BAR & TENSION RELEASE COMPONENTS



PRESSER BAR & TENSION RELEASE COMPONENTS

No.	Parts No.	Parts name	Remarks	Level	Cons	Qty
1	11071800	HAND LIFTER				1
2	B1521555000	SCREW				1
3	RO037180100	RUBBER RING				1
4	11006756	HAND LIFTER CAM ASM.				1
5	22608152	LIFTING LEVER ROD ASM.				1
6	11006350	HAND LIFTER LINK		*		1
7	11006202	LIFTING LEVER		*		1
8	11007309	E-RING		*		1
9	RE0500000K0	E-RING		*		1
10	22608103	LIFTING LEVER CONNECTING ROD		*		1
11	11006509	LINK SHAFT				2
12	RE0500000K0	E-RING				2
13	11007101	HINGE SCREW				1
14	SD0720332SP	HINGE SCREW D= 7.24 H= 3.3				1
15	11007002	LIFTING LEVER LINK				1
16	10125201	CONNECTING ROD, VERTICAL				1
17	SD0600322SD	HINGE SCREW D=6 H=3.2				1
18	RE0500000K0	E-RING				3
19	11018207	TENSION RELEASE RETURN SPRING				1
20	11018108	TENSION RELEASE SHAFT				1
21	22617104	TENSION RELEASE PLATE				1
22	22617005	PUSH BAR				1
23	PS0600502KP	SPRING PIN				1
24	11071602	PRESSER SPRING REGULATOR				1
25	11071701	NUT				1
26	B1510227000	PRESSER GUIDE BAR				1
27	B1501581000	PRESSER BAR				1
28	22608004	NEEDLE BAR GUIDE BRACKET				1
29	SS8660810TP	SCREW 1/4-40 L=8				1
30	22907109	PRESSER BAR BUSHING, LOWER				1
31	22627558	PRESSER FOOT F ASM. 1/4	EXCHANGING GAUGE PARTS (SEE P.23, 24)			1
32	SS7090910TP	SCREW 9/64-40 L= 8.5				1
33	22608400	SPRING, F				1
34	23209059	PRESSER LIFTER ASM.	OPTIONAL PARTS			1
35	11243714	PRESSER LIFTER LEVER		*		1
36	23209109	STOPPER BASE		*		1
37	11243904	STOPPER SCREW		*		1
38	11244100	STOPPER SCREW NUT		*		1
39	B1521555000	SCREW		*		1
40	WP0651056SD	WASHER 6.5X11X1		*		2
41	SS6151780SP	SCREW 15/64-28 L=17.0		*		2

AUTOMATIC REVERSE FEED MECHANISM COMPONENTS (FOR LH-3126F-OB)

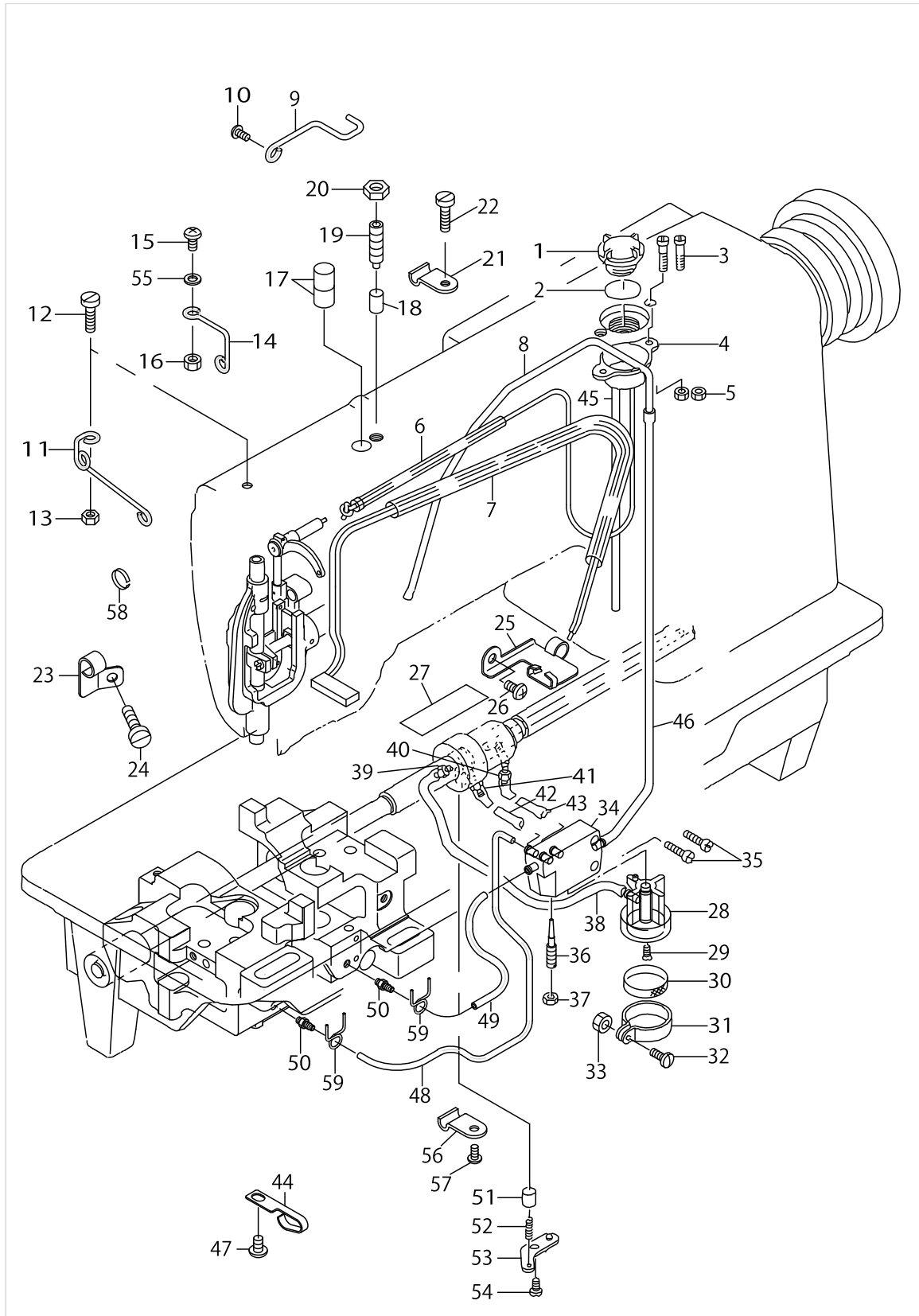


AUTOMATIC REVERSE FEED MECHANISM COMPONENTS (FOR LH-3126F-OB)

No.	Parts No.	Parts name	Remarks	Level	Cons	Qty
1	22656953	BACKWARD FEED SWITCH ASM., F				1
2	11072501	REVERSE FEED SWITCH COVER		*		1
3	SM4040655SP	SCREW M4 L=6		*		1
4	22656508	REVERSE FEED SWITCH BASE		*		1
5	11102100	REVERSE FEED SWITCH SHAFT		*		1
6	11102209	REVERSE FEED SWITCH SPRING		*		1
7	SM4041655SP	SCREW M4 L=16		*		1
8	SM4031501SC	SCREW M3 L=15		*		2
9	HW500070000	2-CORE CABTYRE CORD		*		1.4
10	HA001900000	MICROSWITCH		*		1
11	11102308	MICRO SWITCH PLATE		*		1
12	22656904	SWITCH LEVER, F		*		1
13	SS4120615SP	SCREW 3/16-28 L=6				1
14	SS4120615SP	SCREW 3/16-28 L=6				2
15	SS7110710SP	SCREW 11/64-40 L=7				4
16	WP0501016SD	WASHER 5X10.5X1				4
17	10161305	SOLENOID COVER				1
18	10119105	REVERSE FEED SOLENOID, AC24V				1
19	10119204	SOLENOID INSTALLING PLATE				1
20	WP0501016SD	WASHER 5X10.5X1				4
21	SS9111010SP	SCREW 11/64-40 L=9.5				4
22	D2464555B00	LINK DRIVING MAGNET PIN				1
23	RE0400000K0	E-RING 4				2
24	SS7151210SP	SCREW 15/64-28 L=12				2
25	WS0631510KP	SPRING WASHER				2
26	WP0621016SD	WASHER 6.2X13X1				2
27	22656409	LINK FULCULUM				1
28	22656300	REVERSE FEED LINK, L				1
29	SS4153015SP	PAN-SCREW 15/64-28 L=30				1
30	WS0610002KP	SPRING WASHER				1
31	WP0612056SD	WASHER 6.1X18.5X2				1
32	22656201	REVERSE FEED LINK, (2)				1
33	22656102	REVERSE FEED LINK, (1)				1
34	SD0640321SP	HINGE SCREW D= 6.35 H= 3.2				2
35	HK03464000B	PIN CONTACT				4
36	SS7120760SP	SCREW 3/16-28 L= 7.0				1
37	11100500	REVERSE FEED LEVER STOPPER				1
38	SS6121840SP	SCREW 3/16-28 L=18				1
39	B1506352000	TENSION SPRING RACK B				1
40	13515606	SPRING				1
41	22656003	SPRING SUSPENSION				1



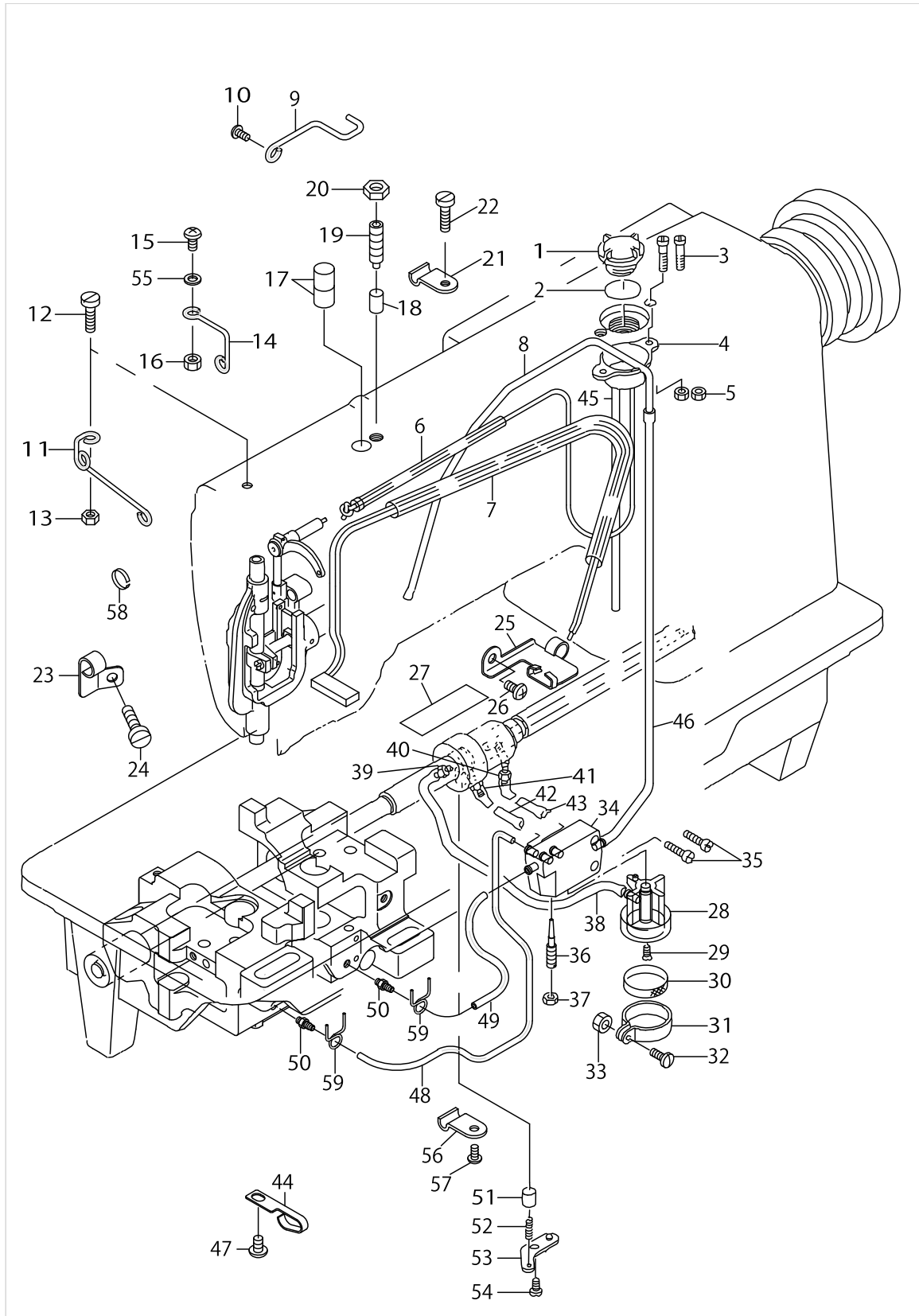
# LUBRICATION COMPONENTS



LUBRICATION COMPONENTS

No.	Parts No.	Parts name	Remarks	Level	Cons	Qty
1	B3530555000	OIL SIGHT WINDOW				1
2	RO195240100	RUBBER RING				1
3	SS4111815SP	SCREW 11/64 L=18				2
4	10216703	OIL TANK				1
5	NS6110310SN	NUT 11/64-40				2
6	22620355	OIL PIPE ASM.				1
7	22620454	FELT ASM.				1
8	22620702	OIL TUBE				1
9	22620108	PIPE HOLDER, B				1
10	SS4110715SP	SCREW 11/64-40 L=7				1
11	22619209	OIL WICK GUIDE				1
12	SS6121610SP	SCREW 3/16-28 L=15.5				1
13	NS6120310SP	NUT 3/16-28				1
14	22620504	OIL WICK HOLDER				1
15	SS4111215SP	SCREW 11/64-40 L=12				1
16	NS6110420SP	NUT 11/64-40				1
17	B3517009000	OIL FELT REAR				2
18	22619415	OIL ADJUSTING SHAFT				1
19	SS8701782TP	SCREW 5/16-24 L=17.0				1
20	NS6700420SP	NUT 5/16-24				1
21	22620801	PIPE HOLDER				1
22	SS6111610SP	SCREW 11/64-40 L=16				1
23	22619902	PIPE HOLDER				1
24	SS4110615SP	SCREW 11/64-40 L=6				1
25	22619803	VILENE HOLDER				1
26	SS4110715SP	SCREW 11/64-40 L=7				1
27	22619605	VILENE				1
28	22619001	SUCTION				1
29	SS2110930SP	SCREW 11/64-40 L=8.7				1
30	B1851512000	FILTER SCREEN				1
31	B1850512000	BUSHING HOLDER				1
32	SS7090910SP	SCREW 9/64-40 L= 8.5				1
33	NS6090310SP	NUT 9/64-40				1
34	10623403	BASE				1
35	SS6111610SP	SCREW 11/64-40 L=16				2
36	B1834512000A	OIL ADJUSTING SCREW				1
37	NS6110310SP	NUT 11/64-40				1
38	BT0500300EA	OIL TUBE				0.12
39	SQ1150451MZ	CONNECTING SCREW				1
40	SQ1110401MZ	CONNECTING SCREW				1
41	SQ1110401MZ	CONNECTING SCREW				1
42	BT0500300EA	OIL TUBE				0.08
43	BT0500300EA	OIL TUBE				0.09
44	13530209	LUBRICATING OIL WICK STOPPER				1
45	23630007	TUBE				0.25
46	BT0500300EA	OIL TUBE				0.4
47	SS4110715SP	SCREW 11/64-40 L=7				1

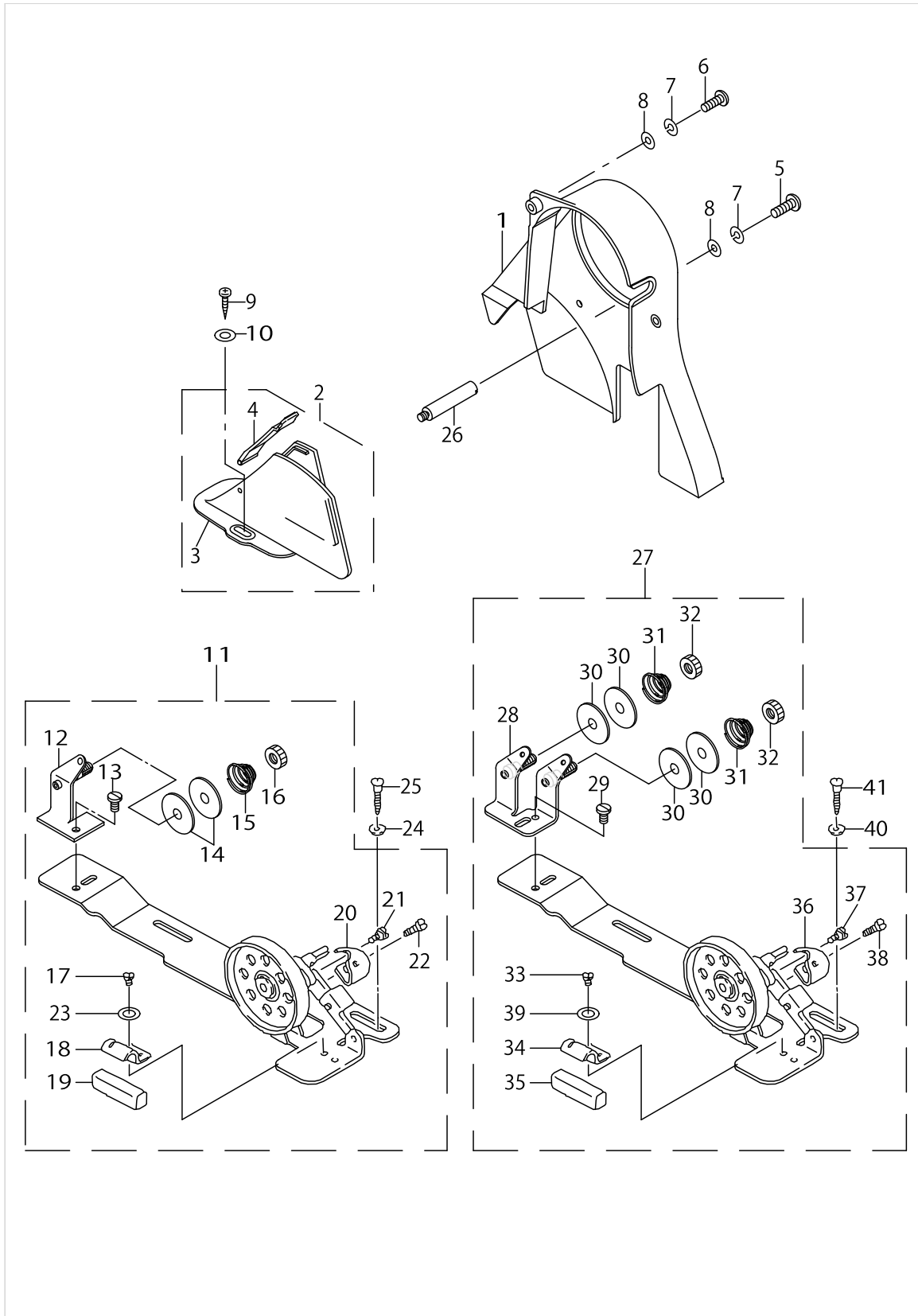
LUBRICATION COMPONENTS



LUBRICATION COMPONENTS

No.	Parts No.	Parts name	Remarks	Level	Cons	Qty
48	23630007	TUBE				0.32
49	23630007	TUBE				0.28
50	SQ1110401MZ	CONNECTING SCREW				2
51	B3534155000	PLUNGER				1
52	B1214038000	PLUNGER SPRING				1
53	B3524552000	PLUNGER THRUST PLATE				1
54	SS4110815SP	SCREW 11/64-40 L=8				1
55	B3534012000	GASKET				1
56	B3538112000	OIL RETURN TUBE HOLDER				1
57	SS4110815SP	SCREW 11/64-40 L=8				1
58	B1414512000	OIL WICK RETAINER				1
59	10126803	OIL TUBE HOLDER				2

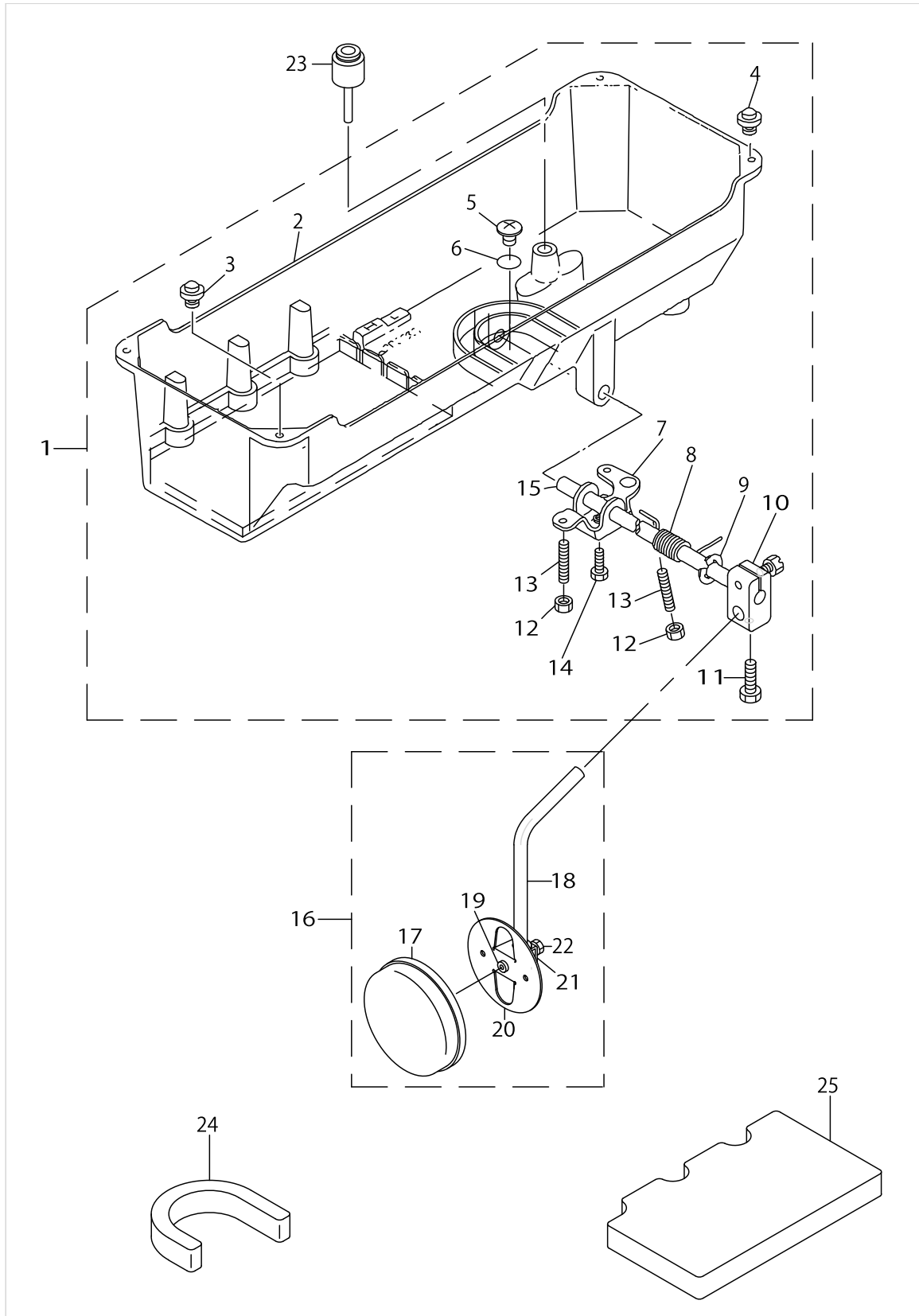
BELT COVER & BOBBIN WINDER COMPONENTS



BELT COVER & BOBBIN WINDER COMPONENTS

No.	Parts No.	Parts name	Remarks	Level	Cons	Qty
1	22603401	BELT COVER A ASM.				1
2	11076858	BELT COVER B ASM.				1
3	11076809	BELT COVER B		*		1
4	11076957	BELT COVER B CAP ASM.		*		1
5	SS4111215SP	SCREW 11/64-40 L=12				2
6	SS6121610SP	SCREW 3/16-28 L=15.5				1
7	WS0451040KP	SPRING WASHER 4.5X8.5X1				3
8	WP0501016SD	WASHER 5X10.5X1				3
9	SK3412000SC	WOOD SCREW D=4.1 L=20				2
10	WP0501016SC	WASHER 5X10.5X1				2
11	11077567	BOBBIN WINDER COMPL.				1
12	11078250	THREAD TENSION BRACKET ASM.		*		1
13	SS7110840SP	SCREW 11/64-40 L=7.8		*		1
14	B3126012000	THREAD TENSION DISK		*		2
15	B3129012B00	THREAD TENSION SPRING		*		1
16	B3125012000	THREAD TENSION NUT		*		1
17	SS4110515SP	SCREW 11/64-40 L=5		*		1
18	11078102	PRESSER PLATE		*		1
19	B3211555000	RUBBER BRAKE		*		1
20	11078003	POSITIONING FINGER		*		1
21	SD0490261SP	HINGE SCREW D=4.9 H=2.6		*		1
22	SS7081310SP	SCREW 1/8-44 L=12.5		*		1
23	WP0480856SP	WASHER 4.8X8.4X0.8		*		1
24	WP0501016SC	WASHER 5X10.5X1				2
25	SK3482500SC	WOOD SCREW D=4.8 L=25				2
26	B8233555000	BELT COVER SUPPORT STUD				2
27	22621155	THREAD WINDER ASM.	FOR JE			1
28	22621056	TENSION BAR BASE		*		1
29	SS7110840SP	SCREW 11/64-40 L=7.8		*		1
30	B3126012000	THREAD TENSION DISK		*		4
31	B3129012B00	THREAD TENSION SPRING		*		2
32	B3125012000	THREAD TENSION NUT		*		2
33	SS4110515SP	SCREW 11/64-40 L=5		*		1
34	11078102	PRESSER PLATE		*		1
35	B3211555000	RUBBER BRAKE		*		1
36	22621106	BOBBIN PRESSER		*		1
37	SD0490261SP	HINGE SCREW D=4.9 H=2.6		*		1
38	SS7081310SP	SCREW 1/8-44 L=12.5		*		1
39	WP0480856SP	WASHER 4.8X8.4X0.8		*		1
40	WP0501016SC	WASHER 5X10.5X1				2
41	SK3482500SC	WOOD SCREW D=4.8 L=25				2

OIL RESERVOIR & KNEE LIFTER COMPONENTS

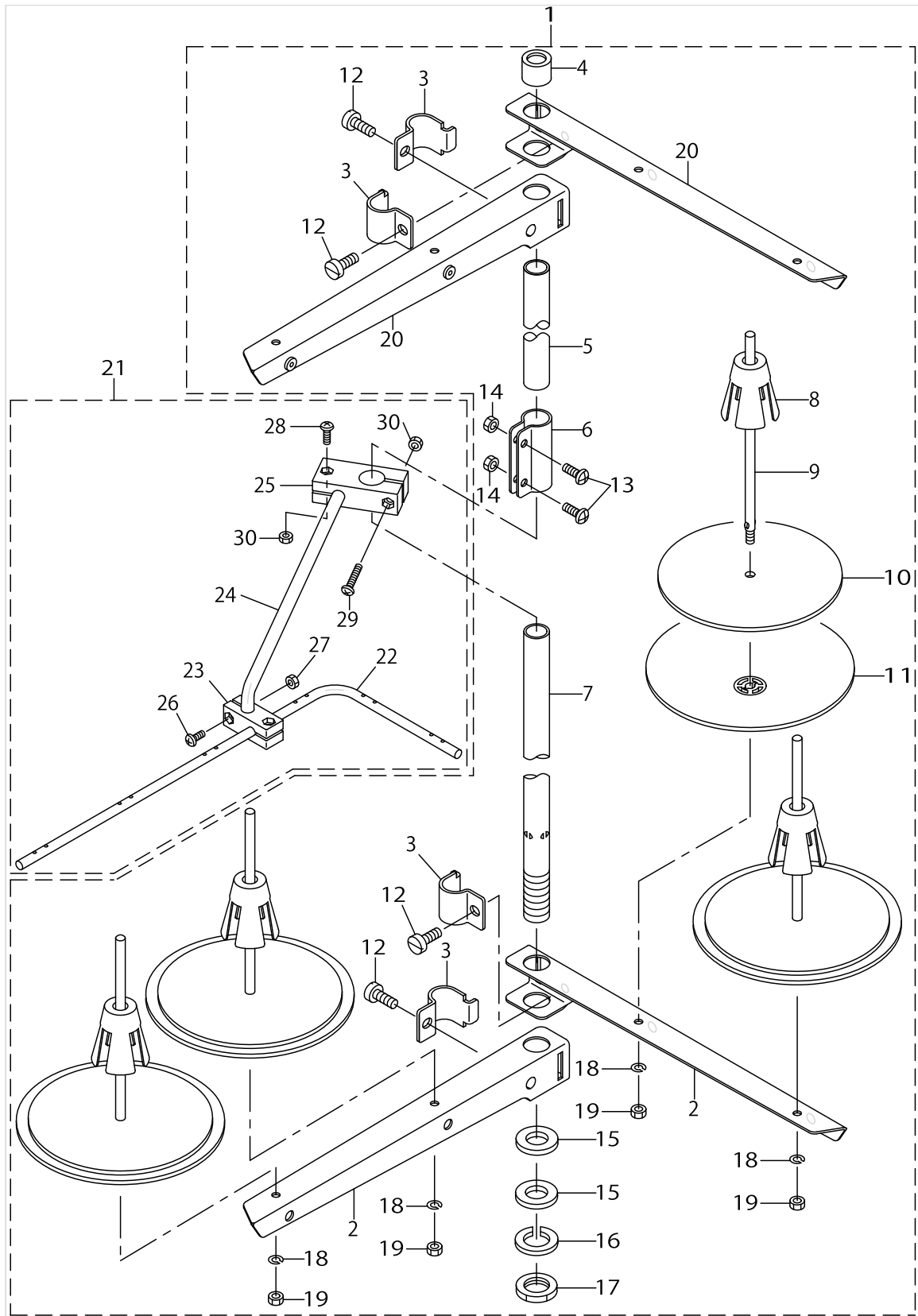


OIL RESERVOIR & KNEE LIFTER COMPONENTS

No.	Parts No.	Parts name	Remarks	Level	Cons	Qty
1	10162253	OIL RESERVOIR ASM.				1
2	10162204	OIL RESERVOIR		*		1
3	10162600	RUBBER CUSHION		*		2
4	11047107	RUBBER CUSHION		*		2
5	SM0081001SD	SCREW		*		1
6	RO098240100	RUBBER RING		*		1
7	11024015	CONNECTING ROT, VERTICAL		*		1
8	11024106	SPRING		*		1
9	RE1000000K0	E-RING 10		*		1
10	11024510	BRACKET		*		1
11	SM9062053SR	SCREW M6 L=20		*		2
12	NM6060001SE	NUT M6		*		2
13	SM8063012TR	SCREW M6 L=30		*		2
14	SM9061853SR	SCREW M6 L=17.5		*		1
15	11024205	KNEE PRESS ROD		*		1
16	22934251	KNEE PAD PLATE ASM.				1
17	22934509	KNEE PAD PLATE COVER		*		1
18	22934608	KNEE PAD UPRIGHT SHAFT		*		1
19	22934400	KNEE PAD PLATE RUBBER		*		1
20	22934202	KNEE PAD PLATE		*		1
21	22934301	KNEE PAD PLATE SUPPORT		*		1
22	SM9061203SE	SCREW M6 L=12		*		1
23	11024304	KNEE PRESS LIFTER ROD				1
24	22622005	OIL RESERVOIR SPACER, A				1
25	22622104	OIL RESERVOIR SPACER, B				1



THREAD STAND COMPONENTS

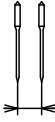
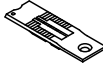
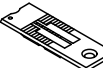
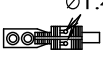


THREAD STAND COMPONENTS

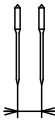
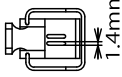
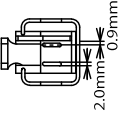
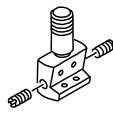
No.	Parts No.	Parts name	Remarks	Level	Cons	Qty
1	26910158	THREAD STANDING DEVICE ASM.				1
2	22930507	SPOOL REST ARM		*		2
3	22930705	THREAD GUIDE ARM JOINT		*		4
4	22931406	SPOOL REST ROD RUBBER CAP		*		1
5	22930408	SPOOL REST ROD, UPPER		*		1
6	22931307	SPOOL REST ROD JOINT		*		1
7	22930309	SPOOL REST ROD, LOWER		*		1
8	22931109	SPOOL RETAINER		*		4
9	22931000	SPOOL PIN		*		4
10	22930903	SPOOL REST CUSHION		*		4
11	22930804	SPOOL REST		*		4
12	SM6061610SC	SCREW M6 L=16		*		4
13	SM4051405SE	SCREW M5 L=14		*		2
14	NM6050001SE	NUT M5		*		2
15	WP1612616SE	WASHER 16X30X2.6		*		2
16	WS1643202KR	SPRING WASHER		*		1
17	NM6160511SE	NUT M16X1.5		*		1
18	NM6050001SE	NUT M5		*		4
19	WS0510002KN	SPRING WASHER		*		4
20	22930556	THREAD STANDING ARM ASM.		*		2
21	26910059	THREAD GUIDE ARM ASM.	FOR TYPE, DESTINATION			1
22	13167903	THREAD STANDING THREAD GUIDE		*		1
23	13168000	THREAD GUIDE BASE, LOWER		*		1
24	13168109	THREAD GUIDE ARM BASE		*		1
25	13168208	THREAD GUIDE ARM BASE		*		1
26	SM4041001SC	SCREW M4X0.7 L=10		*		2
27	NM6040002SE	NUT M4X0.7		*		2
28	SM4041201SC	SCREW M4 L=12		*		1
29	SM4042001SC	SCREW M4 X 20		*		1
30	NM6040002SE	NUT M4X0.7		*		2

TABLE OF EXCHANGING GAUGE PARTS

針送り用 (For throat feed)

Needle gauge size 針 幅		Throat plate for Taping テープ付用針板	Throat plate 針 板	Feed Dog 送 り 歯	
Code コード					
	inch	mm	Ref.no	Ref.no	
B	1/8	3.2	1	6	11
D	3/16	4.8	2	7	12
F	1/4	6.4	3	8	13
G	5/32	7.1	4	9	14
H	3/16	7.9	5	10	15

針送り用 (For throat feed)

Needle gauge size 針 幅		Presser Foot asm. 押 さ え(組)	Swivel guide Presser asm. スワイブルガイド押さえ(組)	Needle clamp asm. 針 留(組)	
Code コード					
	inch	mm	Ref.no	Ref.no	
B	1/8	3.2	16	21	26
D	3/16	4.8	17	22	27
F	1/4	6.4	18	23	28
G	5/32	7.1	19	24	29
H	3/16	7.9	20	25	30

下送り用 (For lower feed)

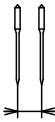
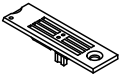
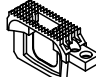

Needle gauge size 針 幅		Throat plate 針 板	Feed Dog 送 り 歯	Presser Foot 押 さ え	
Code コード					
	inch	mm	Ref.no	Ref.no	
B	1/8	3.2	31	34	37
D	3/16	4.8	32	35	38
F	1/4	6.4	33	36	39

TABLE OF EXCHANGING GAUGE PARTS

No.	Parts No.	Parts name	Remarks	Level	Cons	Qty
1	23206808	THROAT PLATE 1/8				1
2	B1109512D0B	THROAT PLATE 3/16				1
3	B1109512F0B	THROAT PLATE				1
4	B1109512G0B	THROAT PLATE 9/32				1
5	B1109512H0B	THROAT PLATE 5/16				1
6	22625107	THROAT PLATE 1/8" (3.2MM)				1
7	22625305	THROAT PLATE 3/16" (4.8MM)				1
8	22625503	THROAT PLATE 1/4				1
9	22625602	THROAT PLATE 9/32" (7.1MM)				1
10	22625701	THROAT PLATE 5/16" (7.9MM)				1
11	B1613512B0B	FEED DOG 1/8				1
12	B1613512D0B	FEED DOG 3/16				1
13	B1613512F0B	FEED DOG 1/4				1
14	B1613512G0B	FEED DOG 9/32				1
15	B1613512H0B	FEED DOG 5/16				1
16	22627152	PRESSER FOOT F ASM. 1/8				1
17	22627350	F PRESSER FOOT ASM. 3/16				1
18	22627558	PRESSER FOOT F ASM. 1/4				1
19	22627657	PRESSER FOOT ASM., F 9/32				1
20	22627756	PRESSER FOOT ASM., F 5/16				1
21	22647051	SWIVEL GUIDE PRESSER 1/8" ASM.				1
22	22647150	GUIDE PRESSER ASM. 3/16				1
23	22647358	GUIDE PRESSER ASM. 1/4				1
24	22647457	GUIDE PRESSER ASM. 9/32				1
25	22647556	SWIVEL GUIDE PRESSER 5/16" ASM				1
26	10147650	NEEDLE CLAMP ASM. 1/8				1
27	10147858	NEEDLE CLAMP ASM. 3/16				1
28	10148054	NEEDLE CLAMP ASM. 1/4				1
29	10148153	NEEDLE CLAMP ASM. 9/32				1
30	10148252	NEEDLE CLAMP ASM. 5/16				1
31	22845200	THROAT PLATE, (1/8).				1
32	22845408	THROAT PLATE, 3/16.				1
33	22845606	THROAT PLATE, (1/4).				1
34	23205107	FEED DOG 1/8				1
35	23205305	FEED DOG 3/16				1
36	23205503	FEED DOG 1/4				1
37	10391852	PRESSER FOOT ASM. 1/8				1
38	10392058	PRESSER FOOT ASM. 3/16				1
39	10392256	PRESSER FOOT ASM. 1/4				1



## HOW TO MAKE USE OF THIS PARTS LIST

### 1.Explanation of codes

1)"\*"mark.....means this part is changed from the previous parts book.

As to the details of the change, refer to the "List for information of change".

2)"#01".....refer to "Note" explanation at bottom of page.

### 2.Codes on the "Qty" column

• Each numeral indicates the number of parts required.

• "0.1" and "2.5" indicate the length (in meters) of the respective parts.

3.Parentheses mean that the corresponding part is a subpart that constructs an assembly part.

4.Dotted lines on the Figures indicate assembly parts.

### 1."注記"欄の記号説明

1) "\*"印.....前回のパーツブックに比較して今回変更された部品を意味します。

変更内容は、"変更情報リスト"を参照してください。

2) "#01".....ページ下の"注記"の説明を参照してください。

2.数量欄の数字は、個数を表し、0.1、2.5等の数値は、長さ（単位メートル）を表します。

3.数量欄の（ ）は、組部品を構成している子部品であることを意味します。

4.イラストページの-----枠は、組構成であることを意味します。

# NUMERICAL INDEX OF PARTS

PART NO	PAGE	REF NO.	PART NO	PAGE	REF NO.	PART NO	PAGE	REF NO.
10004109	2	34	11006509	20	11	22529408	10	6
10101004	2	3	11006756	20	4	22529473	10	4
10104859	8	48	11007002	20	15	22529481	10	3
10106102	18	50	11007101	20	13	22529515	10	5
10108009	16	13	11007309	20	8	22600555	2	42
10109908	12	36	11009909	16	18	22601058	2	38
10110500	12	67	11018108	20	20	22602007	2	17-41
10110500	14	67	11018207	20	19	22602254	2	20
10110609	12	32	11024015	30	7	22602304	2	32
10110906	12	47	11024106	30	8	22602601	2	46
10111508	14	74	11024205	30	15	22603112	2	27
10112001	12	7	11024304	30	23	22603203	2	29
10112357	12	11	11024510	30	10	22603401	28	1
10112407	12	37	11032562	6	28	22603906	6	30
10112803	12	58	11047107	30	4	22604003	6	41
10112803	14	58	11052701	16	20	22604300	6	43
10112902	12	64	11071602	20	24	22604409	6	37
10112902	14	64	11071701	20	25	22604508	6	17
10119105	22	18	11071800	20	1	22604607	6	33
10119204	22	19	11072006	16	22	22604656	6	32
10125201	20	16	11072204	10	12	22604904	6	42
10126803	26	59	11072402	10	9	22605307	6	2
10147650	34	26	11072501	22	2	22605356	6	1
10147858	34	27	11073756	10	11	22605406	6	7
10148054	8	66	11076809	28	3	22606800	6	6
10148054	34	28	11076858	28	2	22607006	8	54
10148153	34	29	11076957	28	4	22607105	8	58
10148252	34	30	11077567	28	11	22607204	8	59
10161305	22	17	11078003	28	20	22607303	8	52
10162204	30	2	11078102	28	34	22607402	8	53
10162253	30	1	11078250	28	12	22608004	20	28
10162600	30	3	11093606	10	8	22608103	20	10
10210805	14	75	11100500	22	37	22608152	20	5
10216703	24	4	11102100	22	5	22608400	20	33
10315208	16	38	11102209	22	6	22609002	16	27
10315455	16	39	11102308	22	11	22609101	16	31
10315505	18	56	11243714	20	35	22609200	16	26
10391852	34	37	11243904	20	37	22609309	18	58
10392058	34	38	11244100	20	38	22609606	18	57
10392256	34	39	13167903	32	22	22609804	12	9
10602902	2	2	13168000	32	23	22610000	16	6
10604809	6	15	13168109	32	24	22610109	16	2
10623403	24	34	13168208	32	25	22610208	16	4
11006202	20	7	13515606	22	40	22610307	16	8
11006350	20	6	13530209	24	44	22610406	16	24

## NUMERICAL INDEX OF PARTS

PART NO	PAGE	REF NO.	PART NO	PAGE	REF NO.	PART NO	PAGE	REF NO.
22610604	16	9	22627657	34	19	22951552	2	8
22610901	16	16	22627756	34	20	23200306	8	61
22611602	12	16	22647051	34	21	23200504	16	37
22611651	12	15	22647150	34	22	23200603	18	48
22611701	12	12	22647358	34	23	23200702	16	43
22611909	12	41	22647457	34	24	23200801	16	36
22612303	12	63	22647556	34	25	23200900	16	42
22612303	14	63	22651509	6	21	23201007	16	45
22612907	14	68	22651558	6	20	23201155	14	54
22613400	14	51	22651566	6	19	23201163	14	53
22613905	14	49	22651905	8	65	23201254	14	55
22617005	20	22	22652101	16	10	23201304	12	60
22617104	20	21	22656003	22	41	23201304	14	60
22619001	24	28	22656102	22	33	23201353	12	56
22619100	2	11	22656201	22	32	23201353	14	56
22619209	24	11	22656300	22	28	23201403	14	62
22619415	24	18	22656409	22	27	23201502	14	70
22619605	24	27	22656508	22	4	23201551	14	65
22619803	24	25	22656904	22	12	23201601	14	73
22619902	24	23	22656953	22	1	23201700	12	61
22620108	24	9	22811400	2	25	23201700	14	61
22620355	24	6	22818009	2	17-41	23201817	14	52
22620454	24	7	22845200	34	31	23201908	14	50
22620504	24	14	22845408	34	32	23202005	12	42
22620702	24	8	22845606	34	33	23202104	12	39
22620801	24	21	22904155	18	52	23202203	12	35
22620900	2	14	22907109	20	30	23202302	12	45
22621056	28	28	22920706	2	23	23202401	14	83
22621106	28	36	22930309	32	7	23202500	14	82
22621155	28	27	22930408	32	5	23202658	12	13
22622005	30	24	22930507	32	2	23202807	12	46
22622104	30	25	22930556	32	20	23202955	10	1
22622351	6	31	22930705	32	3	23203052	10	2
22622401	6	29	22930804	32	11	23203201	10	23
22623102	12	1	22930903	32	10	23203300	10	25
22625107	34	6	22931000	32	9	23203409	10	24
22625305	34	7	22931109	32	8	23203508	14	71
22625503	2	40	22931307	32	6	23203607	14	72
22625503	34	8	22931406	32	4	23203904	6	5
22625602	34	9	22934202	30	20	23204258	6	47
22625701	34	10	22934251	30	16	23204308	6	10
22627152	34	16	22934301	30	21	23204506	8	50-64-69
22627350	34	17	22934400	30	19	23204605	8	50-64-69
22627558	20	31	22934509	30	17	23204704	8	50-64-69
22627558	34	18	22934608	30	18	23204803	2	18



NUMERICAL INDEX OF PARTS

PART NO	PAGE	REF NO.	PART NO	PAGE	REF NO.	PART NO	PAGE	REF NO.
23205107	34	34	B1633470000	16	41	HK03464000B	22	35
23205305	34	35	B1636581B00	16	32	HW500070000	22	9
23205503	34	36	B1653470000	16	21	M4002110000	6	22
23206709	2	35	B18025120AB	12	3	M40071100AA	6	23
23206808	34	1	B1816512000	12	5	M40071100AB	6	24
23208408	6	44	B1834512000A	24	36	M6046350AAA	4	49
23208952	12	59	B1850512000	24	31	MDP500B1000	8	68
23208952	14	59	B1851512000	24	30	NM6040002SE	32	30
23209059	20	34	B3111126000	10	15	NM6050001SE	32	18
23209109	20	36	B3115552000	10	16	NM6060001SE	30	12
23209307	12	57	B3118552E00	10	27	NM6160511SE	32	17
23209307	14	57	B3118552H00	10	26	NS6060220SH	10	32
23209455	12	22	B3120125000	10	17	NS6080210SP	10	31
23209505	12	33	B3125012000	28	32	NS6090310SP	24	33
23209604	12	34	B3126012000	10	14	NS6110310SN	24	5
23209703	14	66	B3126012000	28	30	NS6110310SP	10	10
23209802	14	69	B3129012B00	28	31	NS6110310SP	24	37
23630007	24	49	B3132552000	10	13	NS6110420SP	24	16
23630007	26	49	B3211555000	28	35	NS6120310SP	24	13
26910059	32	21	B3214047000	10	7	NS6150430SP	8	57
26910158	32	1	B3514412000	12	2	NS6680320SP	18	59
B1104051000	2	31	B3517009000	24	17	NS6700420SP	24	20
B1109512D0B	34	2	B3524552000	26	53	PS0600502KP	20	23
B1109512F0B	34	3	B3530555000	24	1	RE0400000K0	22	23
B1109512G0B	34	4	B3534012000	26	55	RE0500000K0	16	3
B1109512H0B	34	5	B3534155000	26	51	RE0500000K0	20	18
B11100510A0	2	44	B3538112000	26	56	RE0900000K0	16	14
B1118512000A	10	21	B8233555000	28	26	RE1000000K0	30	9
B1121512000	10	22	BT0500300EA	16	28	RO037180100	20	3
B1148555000	16	19	BT0500300EA	24	46	RO092270200	16	17
B1202512000	6	14	CM300200101	4	50·51	RO098240100	30	6
B12105260A0	6	11	CM3002001A1	4	50·51	RO195240100	24	2
B1214038000	26	52	CQ202000000	6	3	RO437200200	6	35
B1414512000	26	58	CQ252000000	6	8	SB120000100	6	34
B1438512B00	8	51	CQ252000000	18	54	SB120000200	12	17
B1501581000	20	27	CQ303000000	12	44	SD0470281SP	10	28
B1506352000	22	39	CQ505000000	6	12	SD0490261SP	28	37
B1510227000	20	26	CS102121ASH	16	11	SD0600322SD	20	17
B1521555000	20	39	D2112555B00	2	48	SD0640321SP	22	34
B1613512B0B	34	11	D2112555B00	4	48	SD0720332SP	20	14
B1613512D0B	34	12	D2464555B00	22	22	SD0800422CP	16	5
B1613512F0B	16	35	D3128555D00	10	19	SD0870601SP	8	56
B1613512F0B	34	13	D3129555D00	10	18	SD0870603TP	6	45
B1613512G0B	34	14	D3171415B0H	14	85	SD0900701TP	16	33
B1613512H0B	34	15	HA001900000	22	10	SK3412000SC	28	9

NUMERICAL INDEX OF PARTS

PART NO	PAGE	REF NO.	PART NO	PAGE	REF NO.	PART NO	PAGE	REF NO.
SK3482500SC	28	41	SS6090630SP	2	36	SS8151550SP	6	25
SM0081001SD	30	5	SS6090670TP	16	1	SS8660530TP	6	36
SM4031501SC	22	8	SS6090810SP	14	77	SS8660530TP	12	43
SM4040655SP	22	3	SS6111140SP	2	5	SS8660530TP	18	53
SM4041001SC	32	26	SS6111210SP	6	26	SS8660610TP	16	12
SM4041201SC	32	28	SS6111610SP	24	35	SS8660810TP	12	6
SM4041655SP	22	7	SS6120620TP	10	34	SS8660810TP	20	29
SM4042001SC	32	29	SS6121610SP	24	12	SS8661030SP	12	18
SM4051405SE	32	13	SS6121610SP	28	6	SS8680540SP	6	13
SM6061610SC	32	12	SS6121610TP	8	60	SS8680810TP	6	40
SM6082502TP	14	76	SS6121610TP	16	44	SS8681650TP	6	38
SM8063012TR	30	13	SS6121840SP	22	38	SS8701782TP	24	19
SM9061203SE	30	22	SS6121860SP	16	23	SS9110460CP	2	33
SM9061853SR	30	14	SS6151780SP	20	41	SS9111010SP	22	21
SM9062053SR	30	11	SS6152440SP	8	55	SS9111510SP	14	79
SQ1110401MZ	24	50	SS6153040SP	12	38	TA0290301M0	14	80
SQ1110401MZ	26	50	SS6580752TP	16	34	TA0490601R0	2	12
SQ1150451MZ	24	39	SS6661110SP	6	16	TA0750704R0	2	15
SS2090710SP	2	30	SS6661110SP	16	29	TA1250406R0	2	52
SS2090710TP	2	28	SS7081310SP	28	38	TA1250406R0	4	52
SS2110920TP	2	37	SS7090910SP	8	49	WP0371016SD	14	78
SS2110930SP	24	29	SS7090910SP	24	32	WP0450801SD	6	27
SS3090610SP	2	19	SS7090910TP	20	32	WP0480856SP	8	62
SS4110515SP	12	19	SS7110510SP	16	40	WP0480856SP	28	39
SS4110515SP	28	33	SS7110710SP	16	30	WP0501016SC	28	40
SS4110615SP	24	24	SS7110710SP	22	15	WP0501016SD	22	20
SS4110715SP	24	47	SS7110840SP	28	29	WP0501016SD	28	8
SS4110815SP	2	4	SS7110910SP	18	55	WP0612056SD	22	31
SS4110815SP	8	63	SS7111310TP	18	49	WP0621016SD	22	26
SS4110815SP	14	84	SS7120760SP	6	46	WP0651056SD	20	40
SS4110815SP	16	25	SS7120760SP	12	21	WP0850002SP	12	20
SS4110815SP	26	57	SS7120760SP	22	36	WP1612616SE	32	15
SS4111015SP	2	39	SS7120910SP	16	15	WS0451040KP	28	7
SS4111215SP	24	15	SS7121410SP	16	7	WS0510002KN	32	19
SS4111215SP	28	5	SS7151210SP	22	24	WS0610002KP	22	30
SS4111815SP	24	3	SS7681750TP	6	39	WS0631510KP	22	25
SS4112215SP	14	81	SS8080660TP	8	67	WS1643202KR	32	16
SS4120615SP	2	9	SS8090670SP	10	20	WT0530002KS	2	10
SS4120615SP	22	14	SS8110410TP	2	43	WZ0541510KP	10	33
SS4121015SP	2	21	SS8110510SP	18	47			
SS4150915SP	2	16	SS8110750SP	10	29			
SS4153015SP	22	29	SS8120740SP	2	24			
SS5090610SP	2	45	SS8151150SP	12	14			
SS5091020SP	10	30	SS8151150SP	18	51			
SS6090612TP	16	46	SS8151150TP	6	9			