

MODEL : PLC-1690/PLC-1691

List No : 1253-05

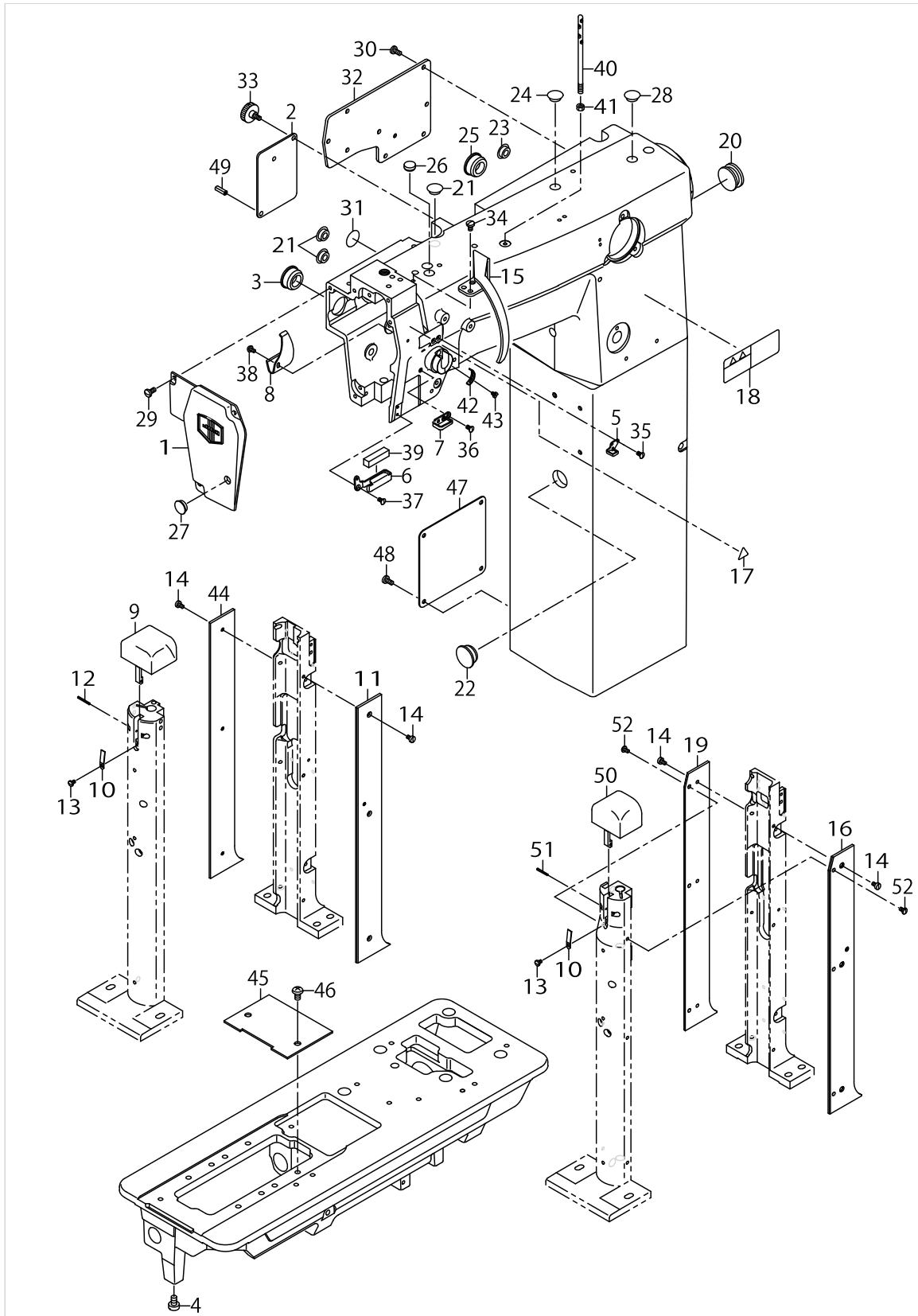
PARTS LIST

Published:09/10/2017

CONTENTS

FRAME & MISCELLANEOUS COVER COMPONENTS	1
MAIN SHAFT,HOOK DRIVING SHAFT DELIVERY & THREAD TAKE-UP LEVER COMPONENTS.....	5
NEEDLE BAR ROCKING COMPONENTS	9
PRESSURE ADJUSTING & UPPER FEED MECHANISM COMPONENTS.....	11
FEED MECHANISM COMPONENTS.....	13
HOOK SHAFT & HOOK DRIVING SHAFT COMPONENTS.....	17
HOOK COMPONENTS.....	19
THREAD TENSION COMPONENTS.....	21
LOWER THREAD WINDER MECHANISM COMPONENTS.....	23
KNEE LIFTER COMPONENTS.....	25
LUBRICATION COMPONENTS	27
BELT COVER & OIL RESERVOIR COMPONENTS.....	29
GAUGE COMPONENTS (FOR PLC-1690).....	31
GAUGE COMPONENTS (FOR PLC-1691).....	33
THREAD STAND COMPONENTS.....	35
ACCESSORIES PARTS COMPONENTS	37
PRESSER LIFTING SOLENOID TYPE AK-131A COMPONENTS (FOR OPTION).....	39
PRESSER LIFTING SOLENOID TYPE AK-146B COMPONENTS (FOR OPTION)	43
SWING EDGE GUIDE (FOR OPTION)	47
LIST FOR INFORMATION OF CHANGE.....	49
HOW TO MAKE USE OF THIS PARTS LIST	50

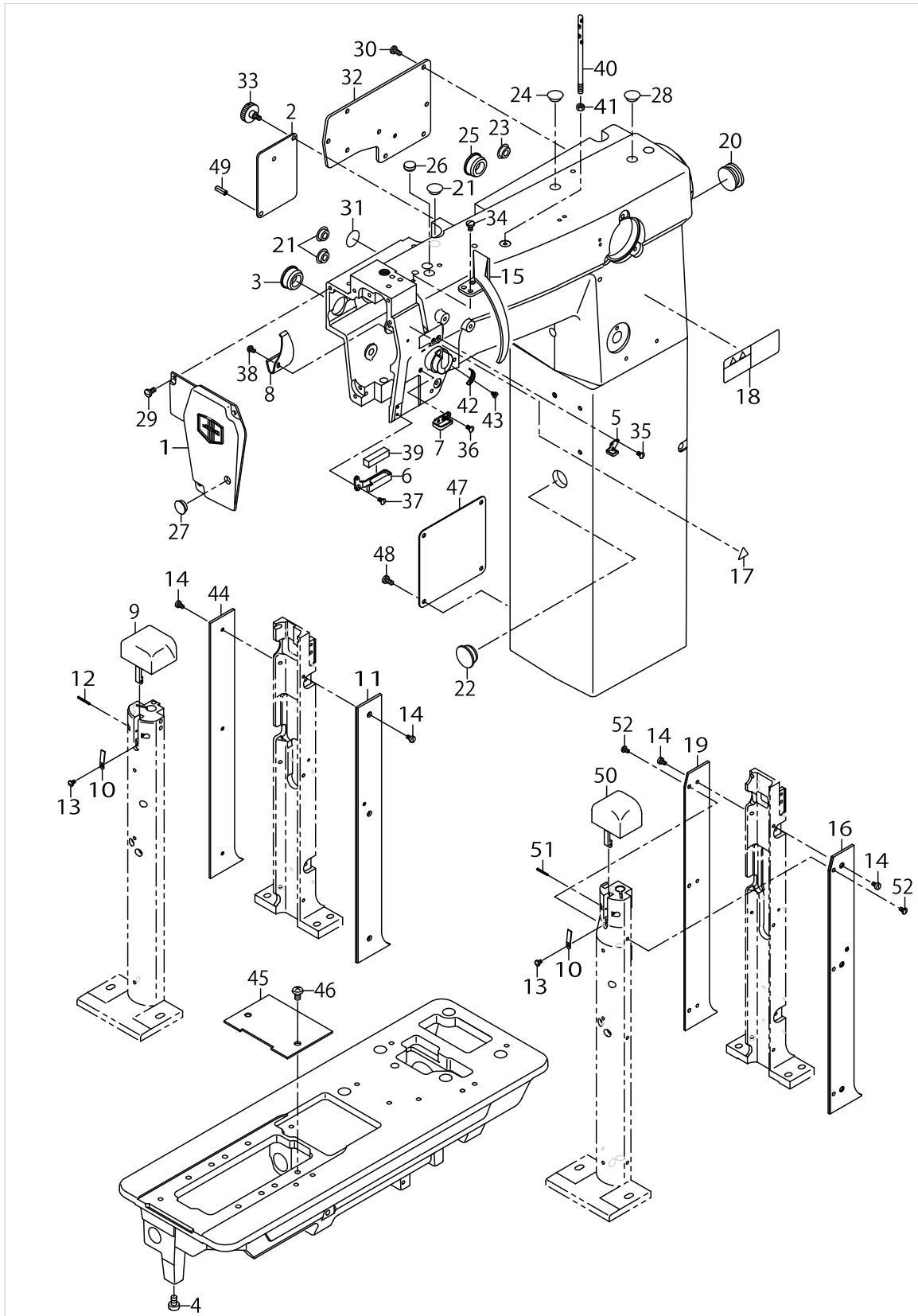
FRAME & MISCELLANEOUS COVER COMPONENTS



FRAME & MISCELLANEOUS COVER COMPONENTS

No.	Parts No.	Parts name	Remarks	Level	Cons	Qty
1	10301950	FACE PLATE ASM.				1
2	40032259	SIDE COVER				1
3	TA2351004R0	RUBBER PLUG				1
4	SS6151040SP	SCREW 15/64-28 L=10				4
5	B1129521000	THREAD GUIDE UPPER				1
6	10774008	FELT THREAD GUIDE				1
7	40108675	FRAME THREAD GUIDE				1
8	B1140526000	TAKE-UP OIL SPLASHER				1
9	23041759	HOOK COVER ASM.				1
10	23000805	HOOK COVER SPRING				1
11	23035504	SIDE COVER B				1
12	PS0200182KR	SPRING PIN 2X18				1
13	SS7080520SP	SCREW 1/8-44 L=4.9				1
14	SS6090620SP	SCREW 9/64-40 L=6				6
15	10439008	THREAD TAKE-UP LEVER COVER (JE)				1
16	23042401	FEED LEVER BASE SIDE COVER B	FOR PLC-1691			1
17	CM300200001	ATTENTION SEAL	FOR JE,USE IN JAPAN			1
18	CM301300001	SAFETY LABEL				1
19	23042302	FEED LEVER BASE SIDE COVER A	FOR PLC-1691			1
20	10201200	RUBBER PLUG				1
21	TA1250504R0	RUBBER PLUG				3
22	TA2100904R0	RUBBER PLUG				1
23	TA1250504R0	RUBBER PLUG				1
24	TA1250504R0	RUBBER PLUG				1
25	TA2351004R0	RUBBER PLUG				1
26	TA1270502R0	RUBBER PLUG				1
27	TA1250406R0	RUBBER PLUG D=12.5 L=4				1
28	TA1250504R0	RUBBER PLUG				1
29	SS7110910SP	SCREW 11/64-40 L=8.5				3
30	SS7110910SP	SCREW 11/64-40 L=8.5				9
31	10004109	GROUND MARK				1
32	B111852200A	SIDE PLATE				1
33	MAT80110L00	CLAMP SCREW				2
34	SS7110710SP	SCREW 11/64-40 L=7				1
35	SS2090520SL	SCREW 9/64-40 L=5				2
36	SS2090520SL	SCREW 9/64-40 L=5				1
37	SS2090520SL	SCREW 9/64-40 L=5				1
38	SS3090610SP	SCREW 9/64-40 L=6				1
39	22603708	FELT				1
40	40052262	THREAD GUIDE PIN				1
41	NS6620310SP	NUT 3/16-32				1
42	B3138512000	TAKE-UP SPRING ADJUSTING PLATE				1
43	SS7090520SP	SCREW 9/64-40 L=4.5				1
44	23035405	SIED COVER A				1
45	23035306	BED COVER				1
46	SM4061001SB	SCREW M6 L=10				2
47	23035207	POST WINDOW PLATE				1

FRAME & MISCELLANEOUS COVER COMPONENTS



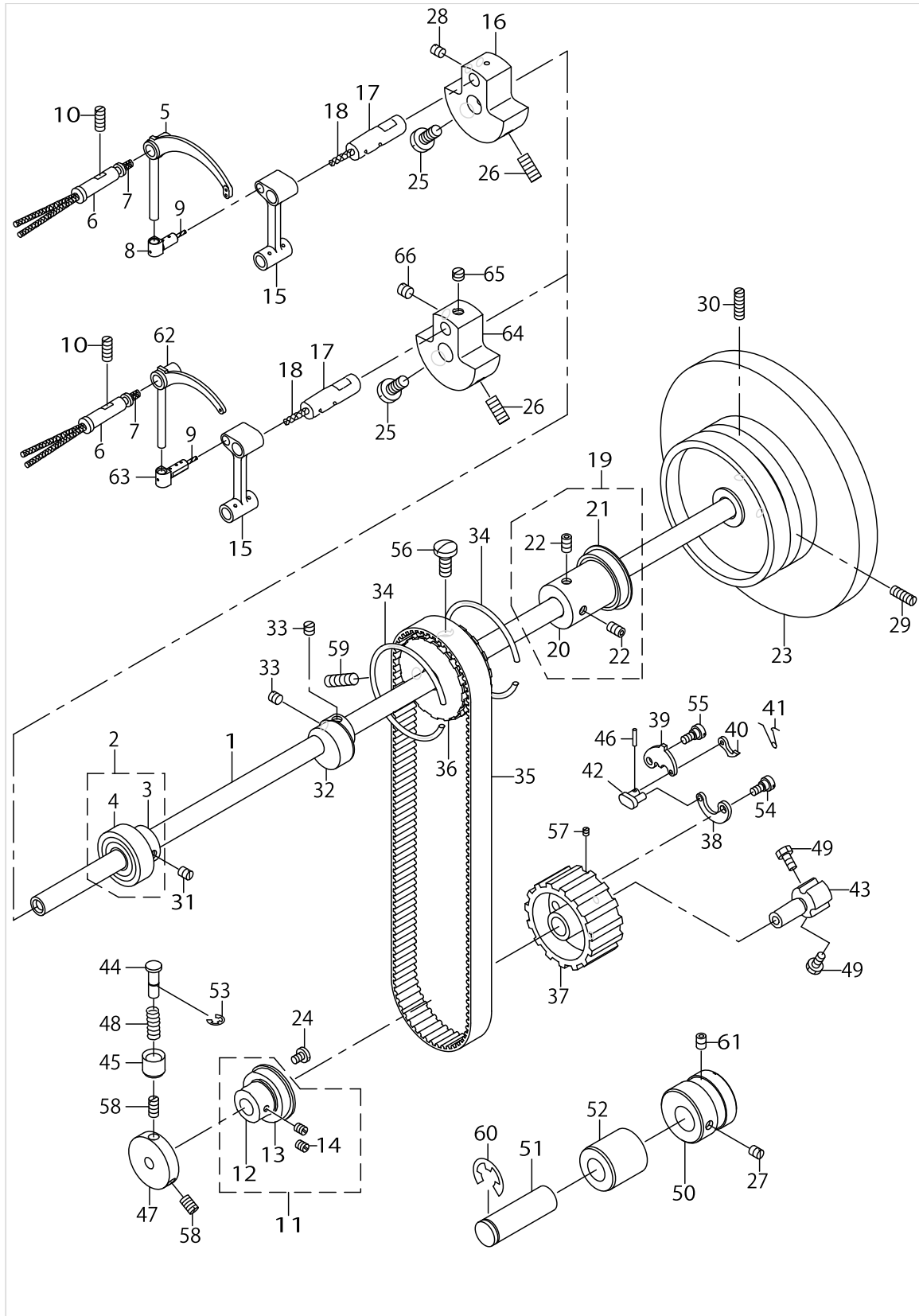
FRAME & MISCELLANEOUS COVER COMPONENTS

No.	Parts No.	Parts name	Remarks	Level	Cons	Qty
48	SS7110910SP	SCREW 11/64-40 L=8.5				4
49	PS0500142KP	SPRING PIN	FOR PLC-1691			1
50	23040454	HOOK COVER ASM.	FOR PLC-1691			1
51	PS0200162KH	SPRING PIN	FOR PLC-1691			1
52	SS5090610SP	SCREW 9/64-40 L=6	FOR PLC-1691			6

MAIN SHAFT,HOOK DRIVING SHAFT DELIVERY & THREAD TAKE-UP LEVER COMPONENTS

No.	Parts No.	Parts name	Remarks	Level	Cons	Qty
1	10305001	MAIN SHAFT				1
2	10305159	MAIN SHAFT BUSHING ASM. FRONT				1
3	10305100	MAIN SHAFT BUSHING FRONT		*		1
4	B1202512000	MAIN SHAFT BUSHING FRONT		*		1
5	23001001	THREAD TAKE-UP LEVER				1
6	B1906051000	TAKE-UP LEVER PIN				1
7	CQ200000000	OIL WICK				0.2
8	23038805	BALANCE SLIDE SHAFT				1
9	CQ252000000	OIL WICK				0.02
10	SS8151550SP	SCREW 15/64-28 L=15				1
11	22611651	THRUST COLLAR ASM. B				1
12	22611602	THRUST COLLAR B		*		1
13	SB120000200	BEARING 20X42		*		1
14	SS8661030SP	SCREW 1/4-40 L=10		*		2
15	B1408051000	NEEDLE BAR CRANK ROD				1
16	D1206241E00	COUNTERWEIGHT				1
17	B1210051000	NEEDLE BAR CRANK PIN				1
18	CQ303000000	OIL WICK				0.06
19	23008055	MAIN SHAFT THRUST COLLAR ASM.				1
20	23008006	MAIN SHAFT THRUST COLLAR		*		1
21	B1203512000	BUSHING REAR		*		1
22	SM8061002TP	SCREW M6 L=10		*		2
23	23001209	HAND WHEEL				1
24	SS7120760SP	SCREW 3/16-28 L=7.0				2
25	SS7681750TP	SCREW 9/32-28 L=16.5				1
26	SS8681650TP	SCREW 9/32-28 L=16				1
27	SS8150510TP	SCREW 15/64-28 L=4.7				1
28	SS8150710SP	SCREW 15/64-28 L=7				2
29	SS8150912TH	SCREW 15/64-28 L=9				1
30	SS8150822TP	SCREW 15/64-28 L=8				1
31	SS8150760TP	SCREW 15/64-28 L=7.0				1
32	D1450055B00	UPPER FEED DRIVING CAM				1
33	SS8660610TP	SCREW 1/4-40 L=6				2
34	B1214019000	SPROCKET RING				2
35	23035702	TIMING BELT				1
36	23001407	UPPER SPROCKET				1
37	23001506	SPROCKET WHEEL				1
38	B1305055000A	SAFETY CLUTCH SPRING				1
39	B1307055000	SAFETY CLUTCH HOOK				1
40	B1308055000	SAFETY CLUTCH COUNTER-HOOK				1
41	B1309055000	COUNTER-HOOK SPRING				1
42	B1310055000	SAFETY CLUTCH SMALL LINK				1
43	10503605	SAFETY BASE				1
44	23001605	SAFETY CLUTCH				1
45	B1313055000	SAFETY CLUTCH KNOB SLEEVE				1
46	B1314055000	SAFETY CLUTCH SMALL LINK PIN				1
47	23001704	SAFETY CLUTCH DISK				1

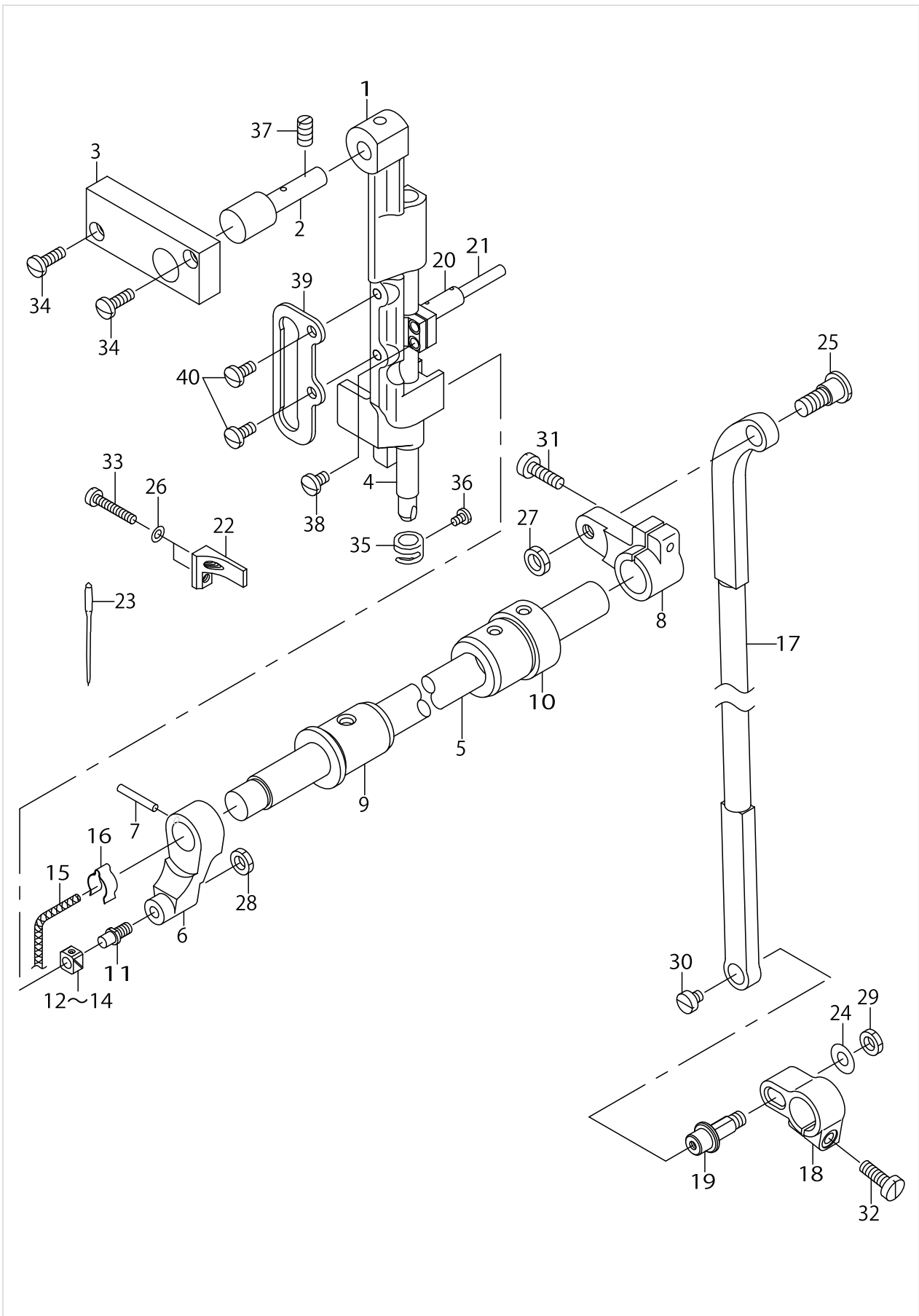
MAIN SHAFT, HOOK DRIVING SHAFT DELIVERY & THREAD TAKE-UP LEVER COMPONENTS



MAIN SHAFT,HOOK DRIVING SHAFT DELIVERY & THREAD TAKE-UP LEVER COMPONENTS

No.	Parts No.	Parts name	Remarks	Level	Cons	Qty
48	B1639051000	SPRING				1
49	SS6661110SP	SCREW 1/4-40 L=11				2
50	23001803	IDLER BUSH				1
51	23001902	IDLER SHAFT				1
52	22603906	UPPER SHAFT INNER METAL				1
53	RE0500000K0	E-RING				1
54	SD0640322TP	HINGE SCREW D=6.35 H=3.2				1
55	SD0640322TP	HINGE SCREW D=6.35 H=3.2				1
56	SS7681750TP	SCREW 9/32-28 L=16.5				1
57	SS8090410SP	SCREW 9/64-40 L=3.5				1
58	SS8151230SP	SCREW 15/64-28 L=12				2
59	SS8681950SP	SCREW 9/32-28 L=19				1
60	RE1200000K0	E-RING 12				1
61	SM8060802TP	SCREW M6 L=8				1
62	B1905245000	THREAD TAKE-UP LEVER	FOR PLC-1691			1
63	D1907241E00	TAKE-UP LEVER THRUST PIN	FOR PLC-1691			1
64	B1206245000	COUNTERWEIGHT	FOR PLC-1691			1
65	SS8680540SP	SCREW 9/32-28 L=4.5	FOR PLC-1691			1
66	SS8680730SP	SCREW 9/32-28 L=7	FOR PLC-1691			1

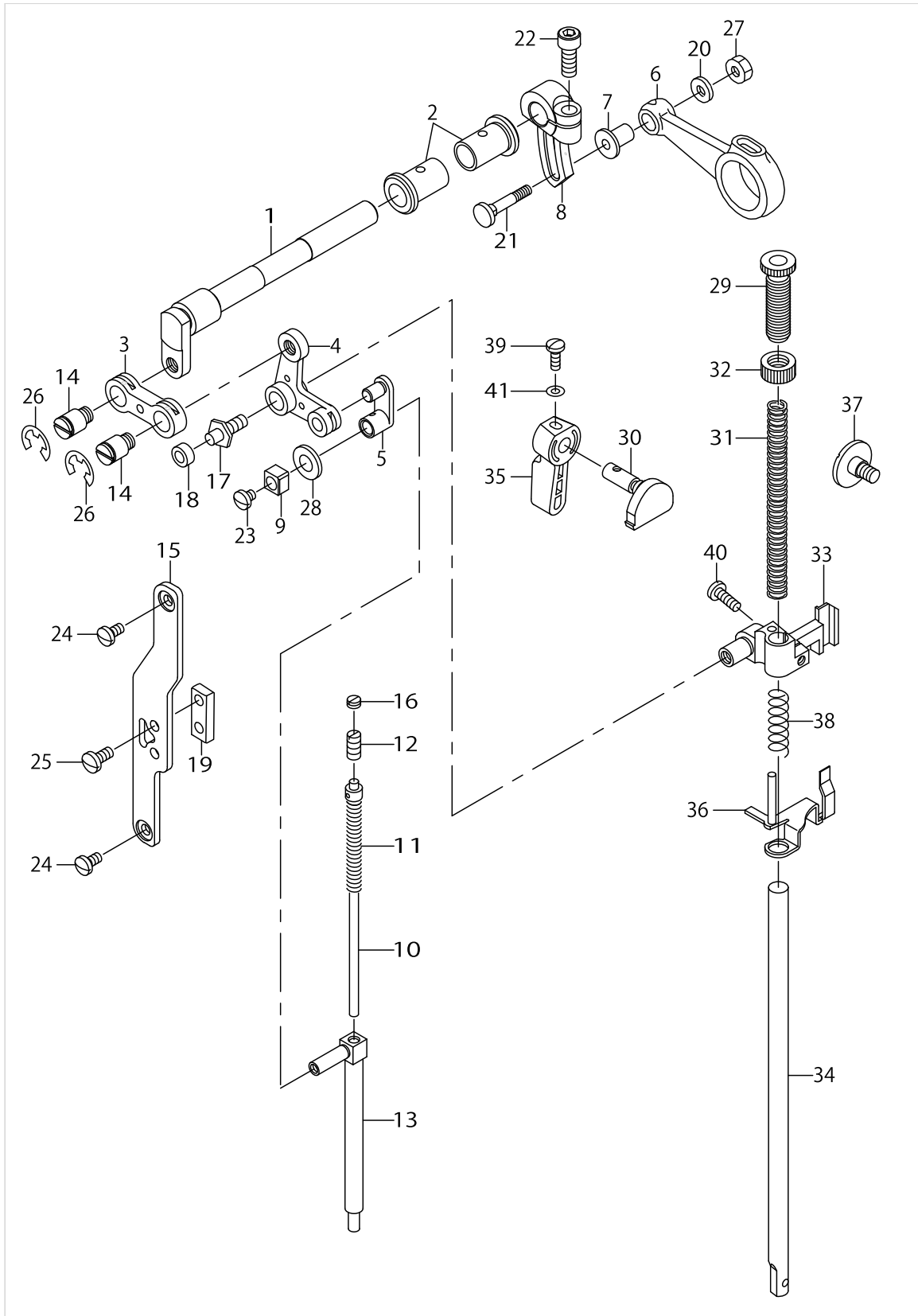
NEEDLE BAR ROCKING COMPONENTS



NEEDLE BAR ROCKING COMPONENTS

No.	Parts No.	Parts name	Remarks	Level	Cons	Qty
1	40016538	NEEDLE BAR FRAME				1
2	10308203	NEEDLE BAR FRAME SHAFT ASM.				1
3	10301307	NEEDLE BAR FRAME SHAFT BASE				1
4	B1401246000	NEEDLE BAR				1
5	10204709	NEEDLE BAR FRAME ROCK SHAFT				1
6	23002207	ROCK SHAFT FRONT CRANK				1
7	PT0302000S0	TAPERED PIN 3.0X20				1
8	23008303	OCK SHAFT REAR CRANK				1
9	23002306	ROCK SHAFT FRONT BUSHING				1
10	23002405	ROCK SHAFT REAR BUSHING				1
11	B1410771000	STUD				1
12	B1414232000	SQUARE BLOCK	SELECTIVE PARTS			1
13	B141423200A	CRANK SLIDE BLOCK	SELECTIVE PARTS			1
14	B141423200B	GUIDE ROLLER	SELECTIVE PARTS			1
15	CQ202000000	OIL WICK				0.12
16	B1437051000	OIL WICK RETAINER				1
17	23038359	NEEDLE BAR FRAME ROD ASM.				1
18	23002603	ROCK SHAFT CRANK				1
19	23002702	CONNECTING STUD				1
20	B1411057000	NEEDLE BAR CONNECTION				1
21	B1412051000	FELT				1
22	23004104	FEED LEVER SUPPORT				1
23	MC321001200	NEEDLE 134-35 #120				1
24	WP0650876SD	WASHER 6.5X13X0.8				1
25	SD0900701TP	HINGE SCREW D=9 H=7				1
26	WP0371026SD	WASHER 3.7X7X1				2
27	NS6680320SP	NUT 9/32-28				1
28	NS6150310SP	NUT 15/64-28				1
29	NS6150310SP	NUT 15/64-28				1
30	SS6110520TP	SCREW 11/64-40 L=4.5				1
31	SS6121610TP	SCREW 3/16-28 L=15.5				1
32	SS6121610TP	SCREW 3/16-28 L=15.5				1
33	SS6092120SP	SCREW 9/64-40 L=21.2				1
34	SS7111310TP	SCREW 11/64-40 L=12.8				2
35	B1418141H00	NEEDLE BAR THREAD GUIDE				1
36	SS7080510TP	SCREW 1/8-44 L=4.5				1
37	SS8150920SP	SET-SCREW				1
38	SS7110720SP	SCREW 11/64-40 L=7				2
39	23007008	WALKING BAR GUIDE				1
40	SS7110910SP	SCREW 11/64-40 L=8.5				2

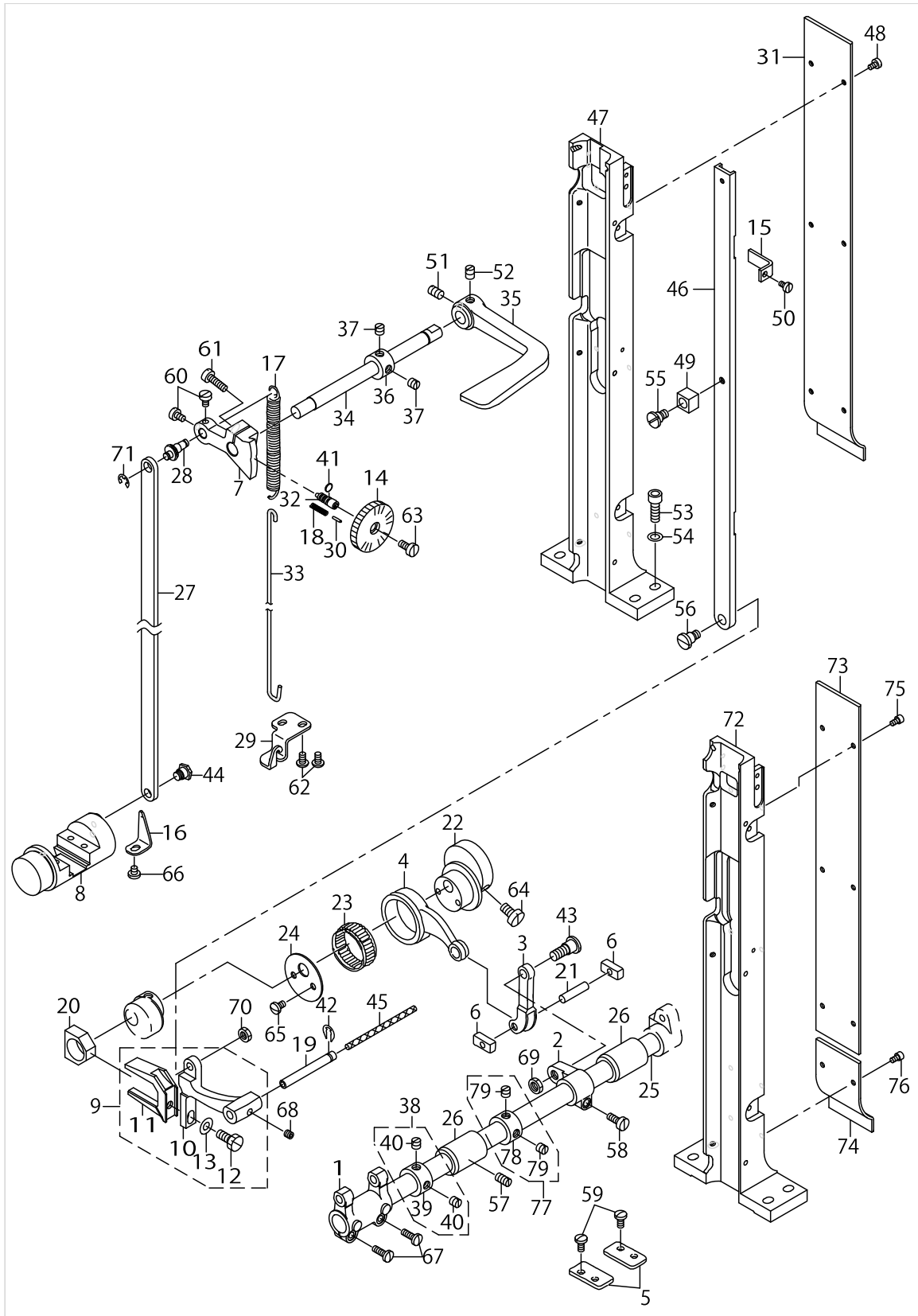
PRESSURE ADJUSTING & UPPER FEED MECHANISM COMPONENTS



PRESSURE ADJUSTING & UPPER FEED MECHANISM COMPONENTS

No.	Parts No.	Parts name	Remarks	Level	Cons	Qty
1	23006505	UPPER FEED DRIVING SHAFT				1
2	B1455053000	BUSHING				2
3	23006604	CONNECTING LINK				1
4	23006703	L SHAPED LINK				1
5	23006802	WALKING BAR DRIVING LINK				1
6	D1453055B00	UPPER FEED DRIVING ROD				1
7	D1455055B00	CONNECTING STUD				1
8	D1454055B00	UPPER FEED SPRING ROD				1
9	B1414555000	SLIDE BLOCK				1
10	B14670530A0	WALKING BAR ASM.				1
11	B1468053000	WALKING BAR SPRING				1
12	SS8151230SP	SCREW 15/64-28 L=12				1
13	23007107	WALKING BAR				1
14	21048707	HINGE SCREW				2
15	23003007	GUIDE PLATE				1
16	SS8150310SP	SCREW 15/64-28 L=3.4				1
17	B1461245000	GUIDE SHAFT HINGE SCREW				1
18	D1462241E00	CONNECTING PIN ROLLER				1
19	D1463241E00	PRESSER BAR BRACKET GUIDE				1
20	WP0482086SD	WASHER 4.8X11.5X2				1
21	D1456055B00	HINGE SCREW				1
22	23009608	UPPER FEED ARM CLAMP SCREW				1
23	SS7110510SP	SCREW 11/64-40 L=5				1
24	SS7110840SP	SCREW 11/64-40 L=7.8				2
25	SS7621040SP	SCREW 3/16-32 L=9.5				2
26	RE0800000K0	E-SHAPED SNAP RING (8MM)				2
27	NS6110530SP	NUT 11/64-40				1
28	10509701	FELT				1
29	B1509141H00	PRESSER SPRING REGULATOR				1
30	10310712	HAND LIFTER CAM				1
31	B1510141H00	PRESSER SPRING				1
32	22907604	PRESSER SPRING REGULATOR NUT				1
33	23002801	HAND LIFTER BRACKET				1
34	B1501141H00	PRESSER BAR				1
35	22907802	HAND LIFTER				1
36	23002959	THREAD RELEASE GUIDE				1
37	SD0800481SP	HINGE SCREW D=8 H=4.9				1
38	B1462053000	THREAD RELEASE SPRING				1
39	SS7091110TP	SCREW 9/64-40 L=10.5				1
40	SS7111310SP	SCREW 11/64-40 L=12.8				1
41	WP0370316SD	WASHER 3.7X8X0.3				1

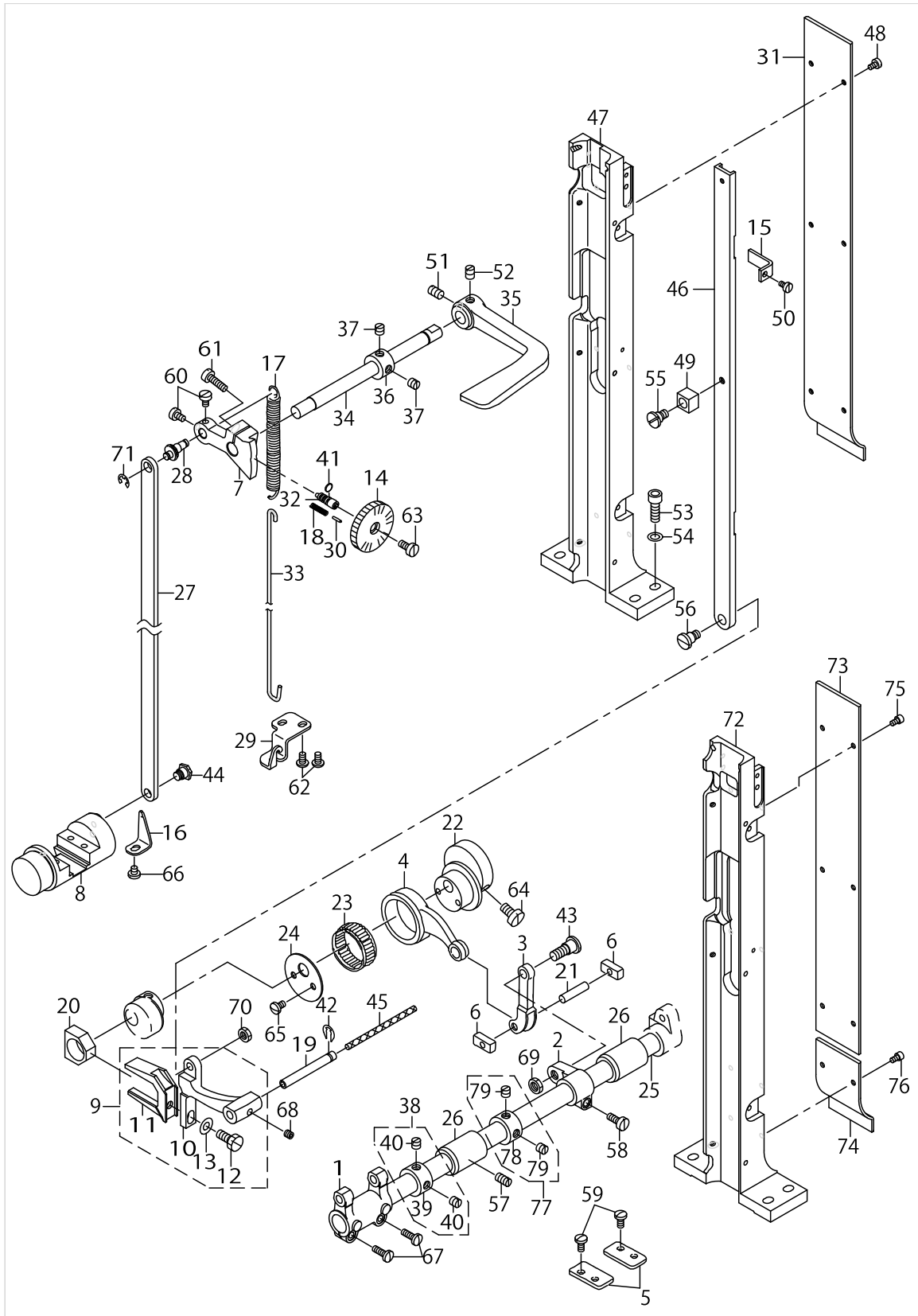
FEED MECHANISM COMPONENTS



FEED MECHANISM COMPONENTS

No.	Parts No.	Parts name	Remarks	Level	Cons	Qty
1	21364104	FEED ROCKER				1
2	10315109	FEED ROCKER SHAFT CRANK				1
3	10315208	FEED ROCK CONNECTING ROD				1
4	22609200	FEED ROCK SHAFT CONNECTING ROD				1
5	10315505	PLATE				2
6	22609606	FEED DRIVING ROCKER BLOCK S				2
7	23003106	FEED REGULATOR				1
8	23003254	FEED DRIVING ROCKER ASM.				1
9	23003353	FEED BAR ASM.				1
10	23003304	FEED BAR		*		1
11	10107902	FEED BAR FORK		*		1
12	SS9151440CP	SCREW 15/64-28 L=14		*		1
13	WP0621016SD	WASHER 6.2X13X1		*		1
14	23003403	STITCH DIAL				1
15	23036304	FEED LEVER SUPPORT				2
16	B1633470000	STOPPER PLATE				1
17	B1513280000	TENSION SPRING				1
18	22912109	FEED REGULATOR PIN SPRING				1
19	B1604012000A	FEED BAR SHAFT				1
20	B1610512000	FEED DRIVING SLIDE BLOCK				1
21	B1653470000	PIN				1
22	23003601	FEED DRIVE ECCENTRIC CAM				1
23	B1636581B00	NEEDLE BEARING B				1
24	23003700	THRUST COLLAR				1
25	23007305	FEED ROCK SHAFT				1
26	10106102	BUSHING				2
27	23035900	FEED REGULATOR CONNECTING ROD				1
28	22610109	ROD PIN				1
29	22610406	SPRING BRACKET				1
30	10207405	PIN				1
31	23035603	FEED LEVER BASE COVER				1
32	10207116	FEED REGULATOR SCREW				1
33	23036007	SPRING HOLDER				1
34	10107506	REVERSE FEED SHAFT				1
35	B162438000A	REVERSE FEED CONTROL LEVER				1
36	CS1021211SH	THRUST COLLAR D=10.2 W=12				1
37	SS8660610TP	SCREW 1/4-40 L=6				2
38	CS147101ASH	THRUST COLLAR ASM. D=14.72 W=10				1
39	CS1471012SH	THRUST COLLAR D=14.72 W=10		*		1
40	SS8660610TP	SCREW 1/4-40 L=6		*		2
41	RO074240100	RUBBER RING				1
42	RE0500711KP	SNAP RING 5				1
43	SD0900701TP	HINGE SCREW D=9 H=7				1
44	SD0800422CP	HINGE SCREW D=8 H=4.2				1
45	CQ202000000	OIL WICK				0.1
46	23036106	FEED LEVER				1
47	23036205	FEED LEVER BASE				1

FEED MECHANISM COMPONENTS



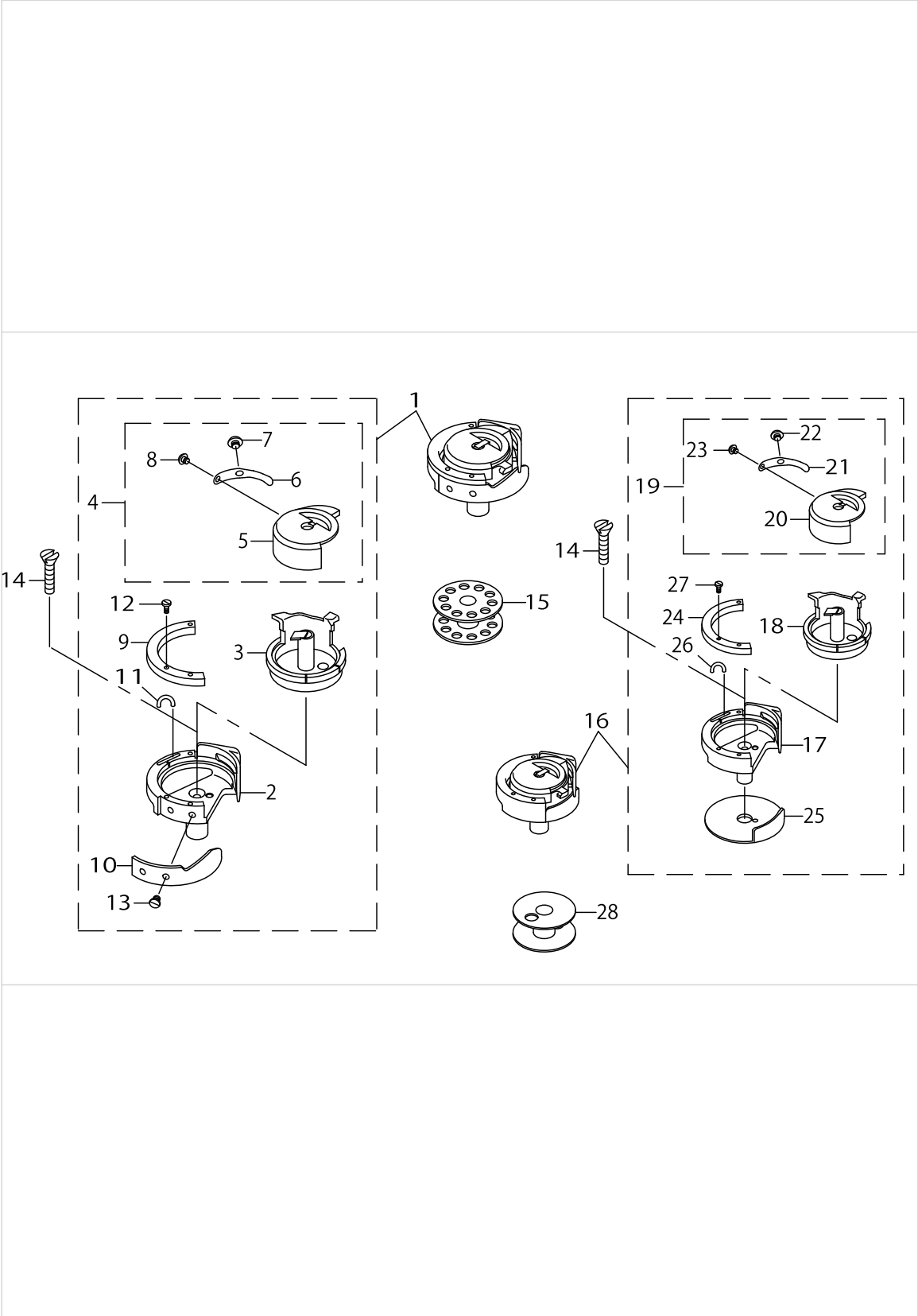
FEED MECHANISM COMPONENTS

No.	Parts No.	Parts name	Remarks	Level	Cons	Qty
48	SS6090620SP	SCREW 9/64-40 L=6				6
49	23036403	SLIDE BLOCK				1
50	SS6090630SP	SCREW 9/64-40 L=6				2
51	SS8661040TP	SCREW 1/4-40 L=10				1
52	SS8660810TP	SCREW 1/4-40 L=8				1
53	SM6061802TP	SCREW M6 L=18				4
54	WP0651056SD	WASHER 6.5X11X1				4
55	SD0790433TP	HINGE SCREW D=7.94 H=4.3				1
56	SD0790601SP	HINGE SCREW D=7.94 H=6				1
57	SS8151150SP	SCREW 15/64-28 L=10.5				1
58	SS6121610TP	SCREW 3/16-28 L=15.5				1
59	SS7110910SP	SCREW 11/64-40 L=8.5				4
60	SS6110710SP	SCREW 11/64-40 L=7				2
61	SS6121610TP	SCREW 3/16-28 L=15.5				1
62	SS4110815SP	SCREW 11/64-40 L=8				2
63	SS6121050SP	SCREW 3/16-28 L=9.5				1
64	SS6661110SP	SCREW 1/4-40 L=11				2
65	SS7110710SP	SCREW 11/64-40 L=7				2
66	SS7110510SP	SCREW 11/64-40 L=5				1
67	SS7111310TP	SCREW 11/64-40 L=12.8				2
68	SM8050502TP	SCREW M5 L=5				1
69	NS6680320SP	NUT 9/32-28				1
70	NS6150310SP	NUT 15/64-28				1
71	RE0500000K0	E-RING				1
72	23039506	FEED LEVER BASE	FOR PLC-1691			1
73	23042104	FEED LEVER BASE COVER (UPPER)	FOR PLC-1691			1
74	23042203	FEED LEVER BASE COVER (LOWER)	FOR PLC-1691			1
75	SS6090620SP	SCREW 9/64-40 L=6	FOR PLC-1691			6
76	SS6090620SP	SCREW 9/64-40 L=6	FOR PLC-1691			2
77	22904155	MAIN SHAFT THRUST COLLAR ASM.				1
78	22904106	MAIN SHAFT THRUST COLLAR		*		1
79	SS8660610TP	SCREW 1/4-40 L=6		*		2

HOOK SHAFT & HOOK DRIVING SHAFT COMPONENTS

No.	Parts No.	Parts name	Remarks	Level	Cons	Qty
1	23004203	HOOK DRIVING SHAFT				1
2	21427307	LOWER SHAFT METAL REAR				1
3	23004302	BUSHING INTERMEDIATE				1
4	B1807512000	BUSHING B INTERMEDIATE				1
5	B1816512000	HOOK DRIVING SHAFT LARGE				1
6	SS8151150SP	SCREW 15/64-28 L=10.5				1
7	SS8151150SP	SCREW 15/64-28 L=10.5				1
8	SS8151150SP	SCREW 15/64-28 L=10.5				1
9	SS8660810TP	SCREW 1/4-40 L=8				2
10	23036502	HOOK SHAFT BASE				1
11	23037005	COUPLING				1
12	23004500	HOOK SHAFT BASE LOWER METAL				1
13	23036700	HOOK SHAFT				1
14	23041304	OPENER				1
15	23004906	OPENER GUIDE ARM				1
16	10112001	HOOK SHAFT GEAR A				1
17	10112100	HOOK SHAFT GEAR B				1
18	10112209	HOOK SHAFT GEAR C				1
19	10111904	HOOK SHAFT GEAR				1
20	23008105	LOWER METAL LUBRICATING FELT				2
21	SM6061802TP	SCREW M6 L=18				2
22	WP0651056SD	WASHER 6.5X11X1				2
23	SM6040802TP	SCREW M4X0.7 L=8				1
24	SS8150710SP	SCREW 15/64-28 L=7				1
25	SS8660530TP	SCREW 1/4-40 L=4.5				3
26	PH0300062C0	PIN				1
27	23003502	VERTICAL FEED CAM				1
28	SS8150710TP	SCREW 15/64-28 L=7				2
29	23004708	HOOK SHAFT SPACER				1
30	23036601	HOOK SHAFT METAL BOSS				1
31	23036809	HOOK SHAFT A				1
32	SM6041002TP	SCREW M4 L=10				2
33	CS095101BSH	THRUST COLLAR ASM. D=9.53 W=10				2
34	CS0951019SH	THRUST COLLAR D=9.53 W=10		*		2
35	SS8150710SP	SCREW 15/64-28 L=7		*		2
36	SM6041002TP	SCREW M4 L=10				2
37	21010608	HINGE SCREW	FOR PLC-1691			1
38	23039407	HOOK SHAFT BASE	FOR PLC-1691			1
39	23040603	HOOK SHAFT	FOR PLC-1691			1
40	21010707	GUIDE FORK	FOR PLC-1691			1
41	21010509	GUIDE	FOR PLC-1691			1
42	21011200	SCREW	FOR PLC-1691			2

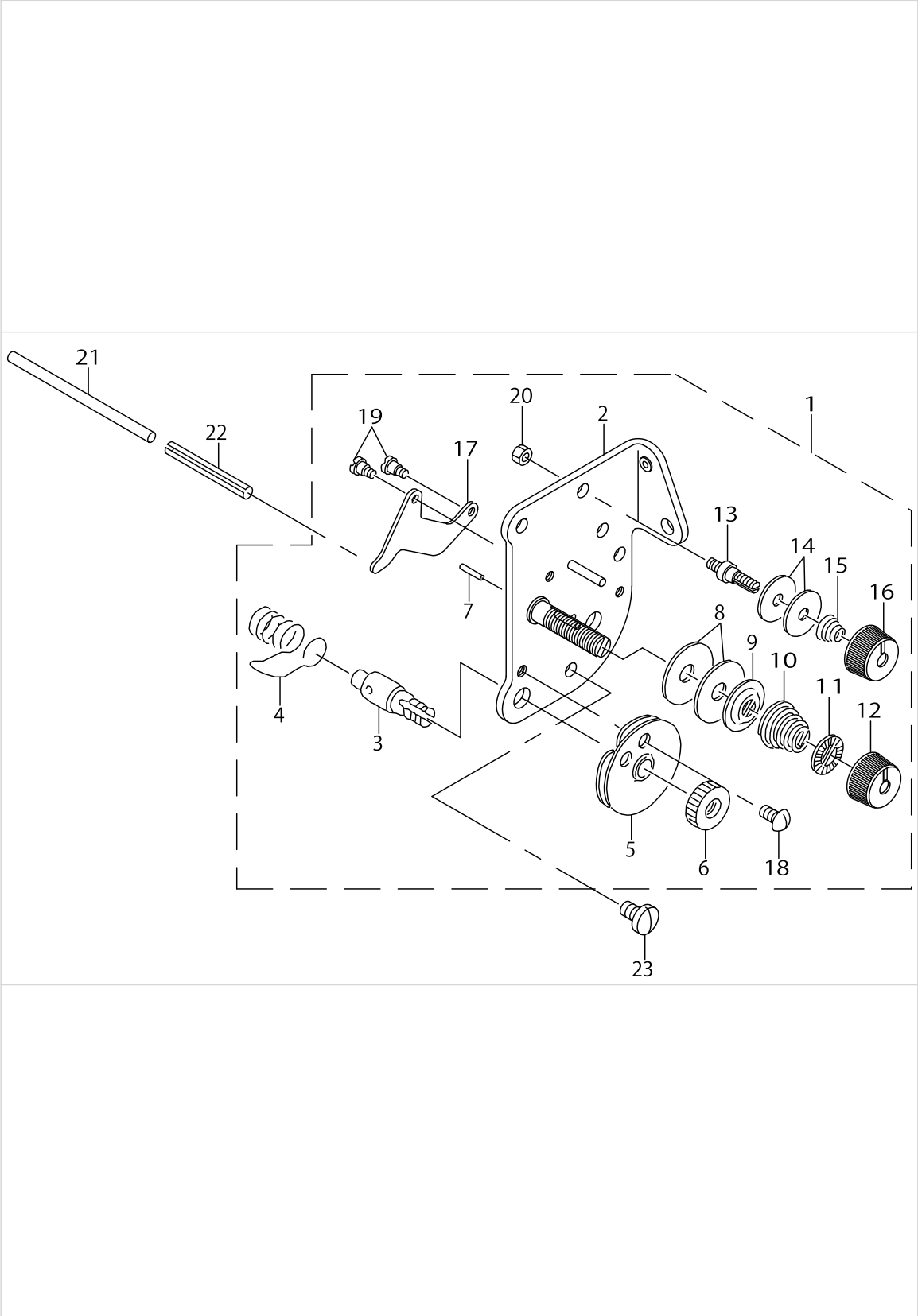
HOOK COMPONENTS



HOOK COMPONENTS

No.	Parts No.	Parts name	Remarks	Level	Cons	Qty
1	23039159	HOOK WITH CAP ASM.				1
2	23025000	HOOK		*		1
3	23039167	INNER HOOK ASM.		*		1
4	23039258	CAP ASM.		*		1
5	23027105	CAP		*		1
6	23025802	TENSION SPRING		*		1
7	23026107	SCREW		*		1
8	23026206	SCREW		*		1
9	23025307	HOLDER		*		1
10	23025406	HOOK PLATE		*		1
11	23026404	FELT		*		1
12	10723104	PRESSER SETSCREW		*		3
13	22814008	SCREW		*		2
14	SS1092810SP	SCREW 9/64-40 L=25.4				1
15	B9117201000	BOBBIN				1
16	23044159	HOOK WITH CAP ASM.	FOR PLC-1691			1
17	23044100	OUTER HOOK		*		1
18	23044258	INNER HOOK ASM.		*		1
19	23044357	CAP ASM.		*		1
20	23044308	CAP		*		1
21	23044704	TENSION SPRING		*		1
22	23044803	SCREW		*		1
23	23044902	TENSION SPRING SETSCREW		*		1
24	23044407	INNER HOOK PRESSER		*		1
25	23044506	REVERSE PLATE		*		1
26	23026404	FELT		*		1
27	10723104	PRESSER SETSCREW		*		3
28	B9117051000	BOBBIN	FOR PLC-1691			1

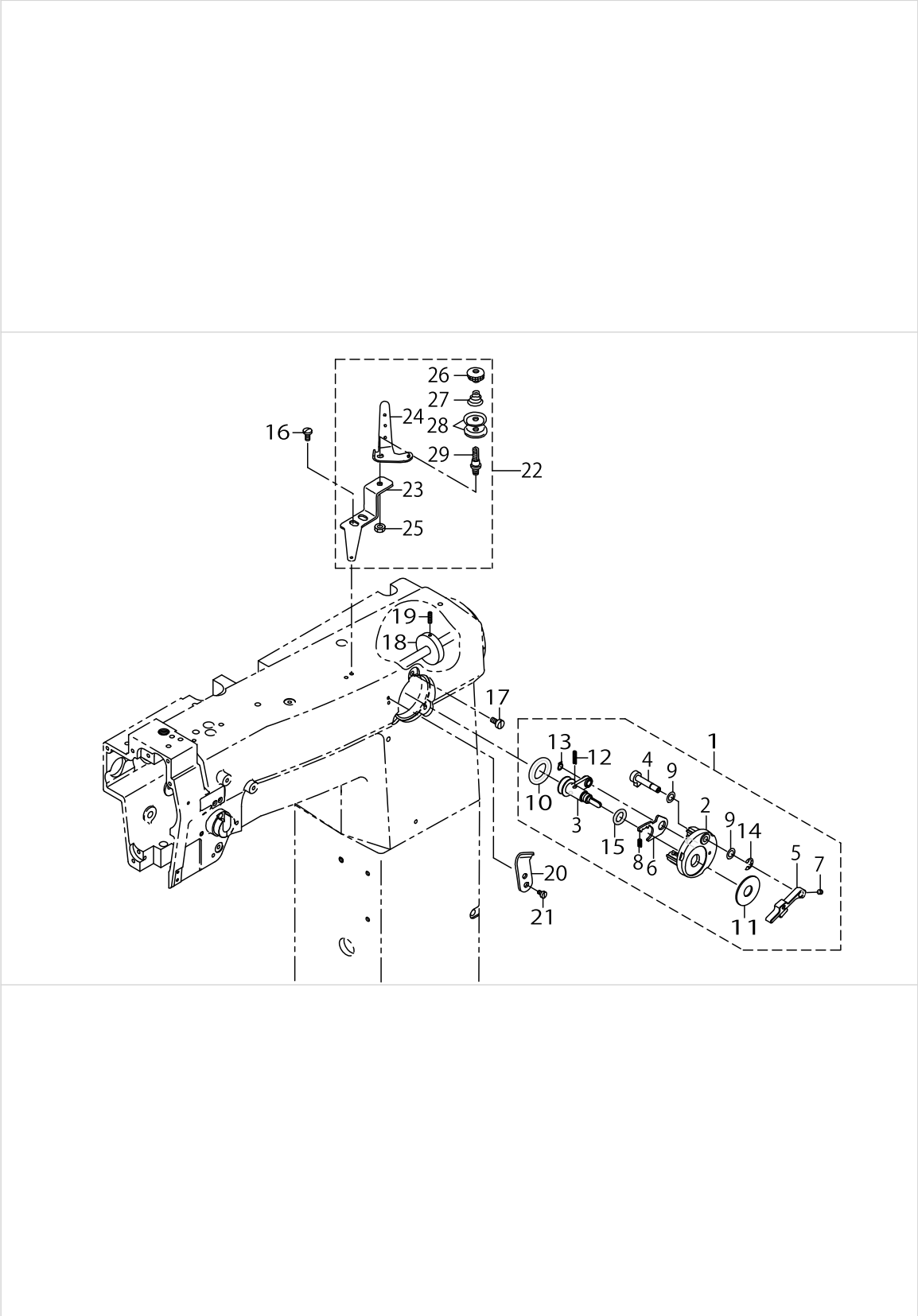
THREAD TENSION COMPONENTS



THREAD TENSION COMPONENTS

No.	Parts No.	Parts name	Remarks	Level	Cons	Qty
1	23009467	THREAD TENSION ASM.				1
2	23009459	TENSION POST COMPL.		*		1
3	10320109	SCREW STUD		*		1
4	B3128051000	THREAD TAKE-UP SPRING A		*		1
5	B31375270A0	TAKE-UP SPRING GUIDE ASM.		*		1
6	B3125012000	THREAD TENSION NUT		*		1
7	B3127051000	TENSION RELEASE PIN SHORT		*		1
8	B3126051000	TENSION DISC		*		2
9	B3132051000	TENSION DISC HOLDER		*		1
10	B3129053000	TENSION SPRING		*		1
11	B3120125000	ROTATING STOPPER		*		1
12	11072204	TENSION NUT		*		1
13	10124204	THREAD TENSION POST A		*		1
14	B3214047000	BOBBIN WINDER TENSION DISC		*		2
15	D3168555H0B	TENSION SPRING NO.1		*		1
16	11072402	THREAD TENSION NUT		*		1
17	B3134521000	TENSION RELEASE LEVER		*		1
18	SS3090710TP	SCREW 9/64-40 L=7		*		1
19	SD0470281SP	HINGE SCREW D=4.7 H=2.8		*		2
20	NS6110310SP	NUT 11/64-40		*		1
21	23006406	TENSION RELEASE BAR				1
22	PS0600502KP	SPRING PIN				1
23	SS7110710SP	SCREW 11/64-40 L=7				2

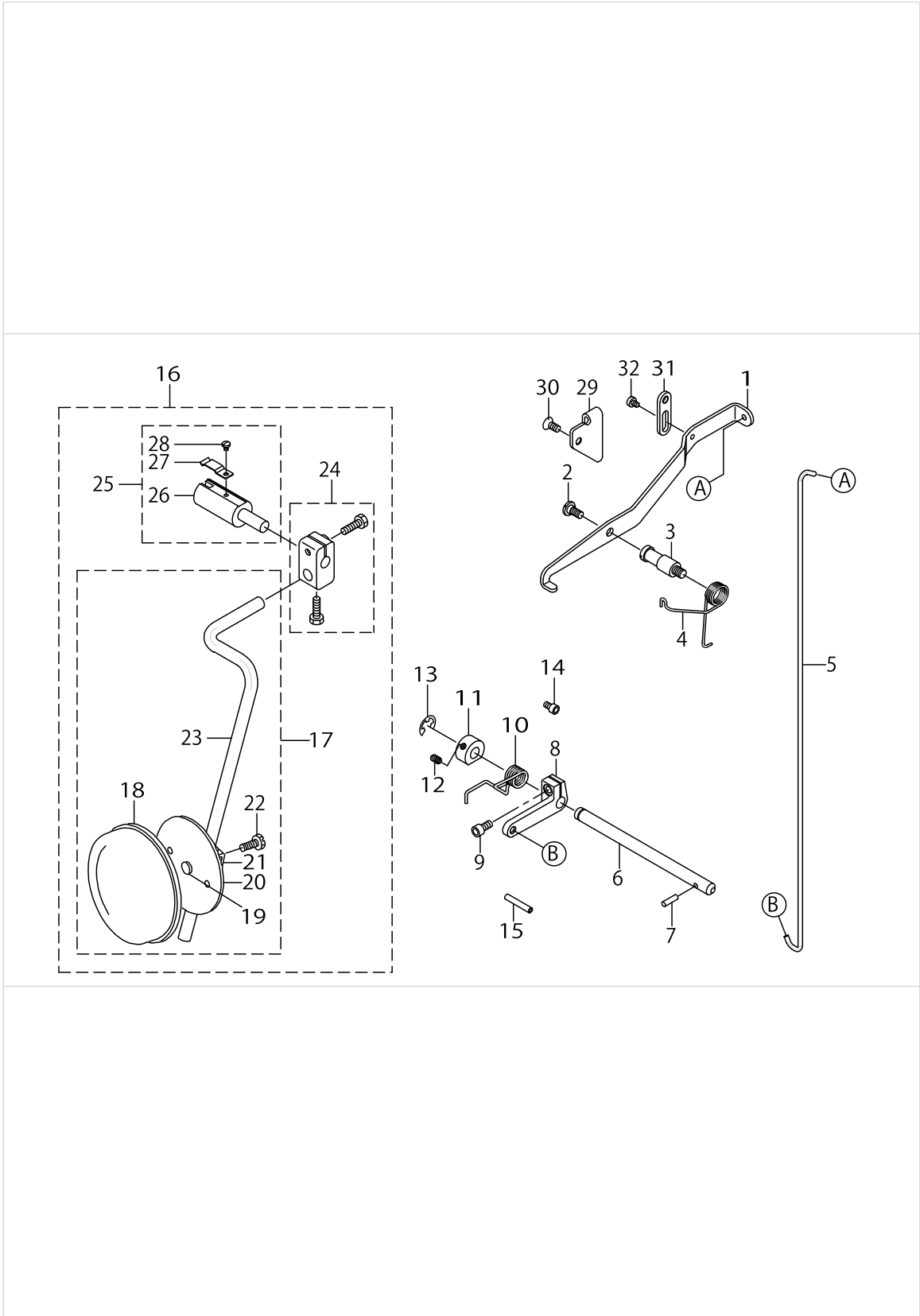
LOWER THREAD WINDER MECHANISM COMPONENTS



LOWER THREAD WINDER MECHANISM COMPONENTS

No.	Parts No.	Parts name	Remarks	Level	Cons	Qty
1	23009764	BOBBIN DEVICE ASM.				1
2	22537658	BOBBIN FITTING BASIS COMPL.		*		1
3	23009756	BOBBIN SHAFT COMPL.		*		1
4	22538151	BOBBIN CAM SHAFT COMPL.		*		1
5	22538300	BOBBIN LEVER		*		1
6	22538409	ADJUSTING PLATE		*		1
7	SS8110422TP	SCREW 11/64-40 L=4		*		1
8	B152989000CA	PRESSUR FOOT SPRING		*		1
9	10618304	VERTICAL ROLLER WASHER		*		2
10	A321600100A	RUBBER RING		*		1
11	B3205210000	CUSHION		*		1
12	B1148555000	SPRING		*		1
13	RC0560711KP	RETAINING RING		*		1
14	RE0500000K0	E-RING		*		1
15	RO092270200	RUBBER RING		*		1
16	SS7621040SP	SCREW 3/16-32 L=9.5				2
17	SS6121030SP	SCREW 3/16-28 L=10				3
18	B3213205000	BOBBIN WINDER DRIVING WHEEL				1
19	SS8111610SP	SCREW 11/64-40 L=15.5				2
20	10502300	THREAD CUTTER				1
21	SS6090620SP	SCREW 9/64-40 L=6				2
22	10704153	BOBBIN THREAD GUIDE PLATE ASM.				1
23	10704104	BOBBIN THREAD GUIDE PLATE		*		1
24	10088003	THREAD GUIDE		*		1
25	NS6110310SP	NUT 11/64-40		*		1
26	B3216047000	BOBBIN WINDER TENSION NUT		*		1
27	D3168555H0B	TENSION SPRING NO.1		*		1
28	40113092	THREAD TENSION DISK		*		2
29	10124204	THREAD TENSION POST A		*		1

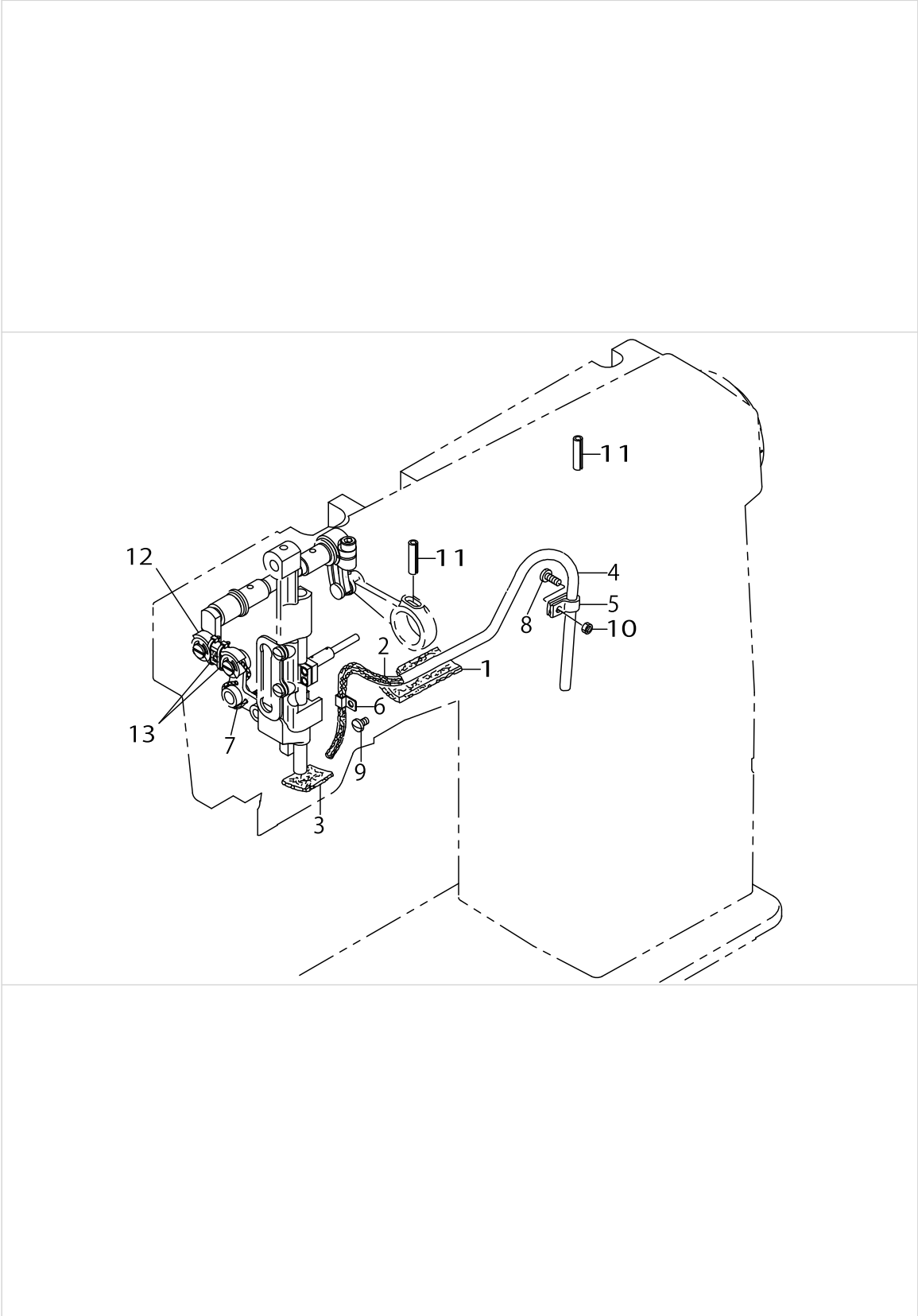
KNEE LIFTER COMPONENTS



KNEE LIFTER COMPONENTS

No.	Parts No.	Parts name	Remarks	Level	Cons	Qty
1	23037104	KNEE LIFTER LEVER				1
2	SD0790361SP	HINGE SCREW D=7.94 H=3.6				1
3	10311504	HOLDER STUD				1
4	10312213	SPRING				1
5	23037609	KNEE LIFTER CONNECTING BAR				1
6	23037203	KNEE LIFTER SHAFT				1
7	B3432521000	PIN				1
8	23037302	KNEE LIFTER ARM				1
9	SM6061202TP	SCREW M6 L=12				1
10	23038904	KNEE LIFTER SPRING				1
11	23037401	KNEE LIFTER STOPPER				1
12	SS8661012TP	SCREW				1
13	RE0900000K0	E-RING 9				1
14	SM6050802TP	SCREW M5X0.8 L=8				1
15	PS0500302KH	SPRING PIN 5X30				1
16	23037757	KNEE LIFTER VERTICAL SHAFT ASM				1
17	23037856	KNEE PRESS PLATE ASM.		*		1
18	B3431552000A	KNEE PRESS PLATE COVER		*		1
19	11024403	RUBBER		*		1
20	11023702	KNEE PRESS PLATE		*		1
21	11023801	KNEE PRESS PLATE HOLDER		*		1
22	SS9151540SR	SCREW 15/64-28 L=15		*		1
23	23037807	KNEE PRESS SHAFT		*		1
24	22932453	BRACKET ASM.		*		1
25	22863252	KNEE LIFTER JOINT ASM.		*		1
26	22863203	KNEE LIFTER JOINT		*		1
27	B3428521000	PRESSER SPRING		*		1
28	SS7090510SP	SCREW 9/64-40 L=4.6		*		1
29	23014400	KNEE LIFTER FRONT LEVER GUIDE				1
30	SS1151310TP	SCREW				1
31	23041403	KNEE LIFTER LEVER STOPPER				1
32	SS6110630TP	SCREW 11/64-40 L=6				1

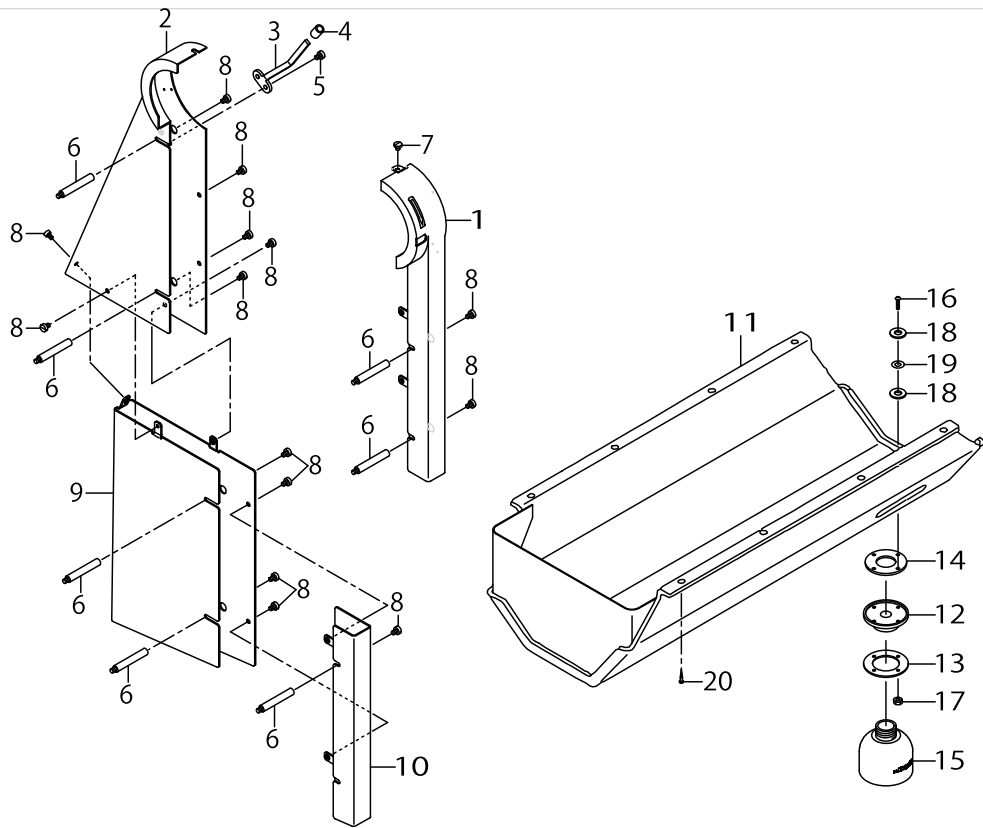
LUBRICATION COMPONENTS



LUBRICATION COMPONENTS

No.	Parts No.	Parts name	Remarks	Level	Cons	Qty
1	10321602	FELT				1
2	10321701	OIL RETURN WICK				1
3	B3526226000	OIL SPONGE				1
4	BP800000000	VINYL TUBE WHITE D=8				0.2
5	EA9502B0500	CABLE CLIP				1
6	B3508512000	OIL FELT HOLDER				1
7	CQ202000000	OIL WICK				0.3
8	SS7111140SP	SCREW 11/64-40 L=11				1
9	SS7110710SP	SCREW 11/64-40 L=7				1
10	NS6110310SP	NUT 11/64-40				1
11	PS060024100	SPRING PIN 6X24				2
12	23014608	CONNECTING LINK FELT				1
13	EA9500B0000	CABLE BAND				2

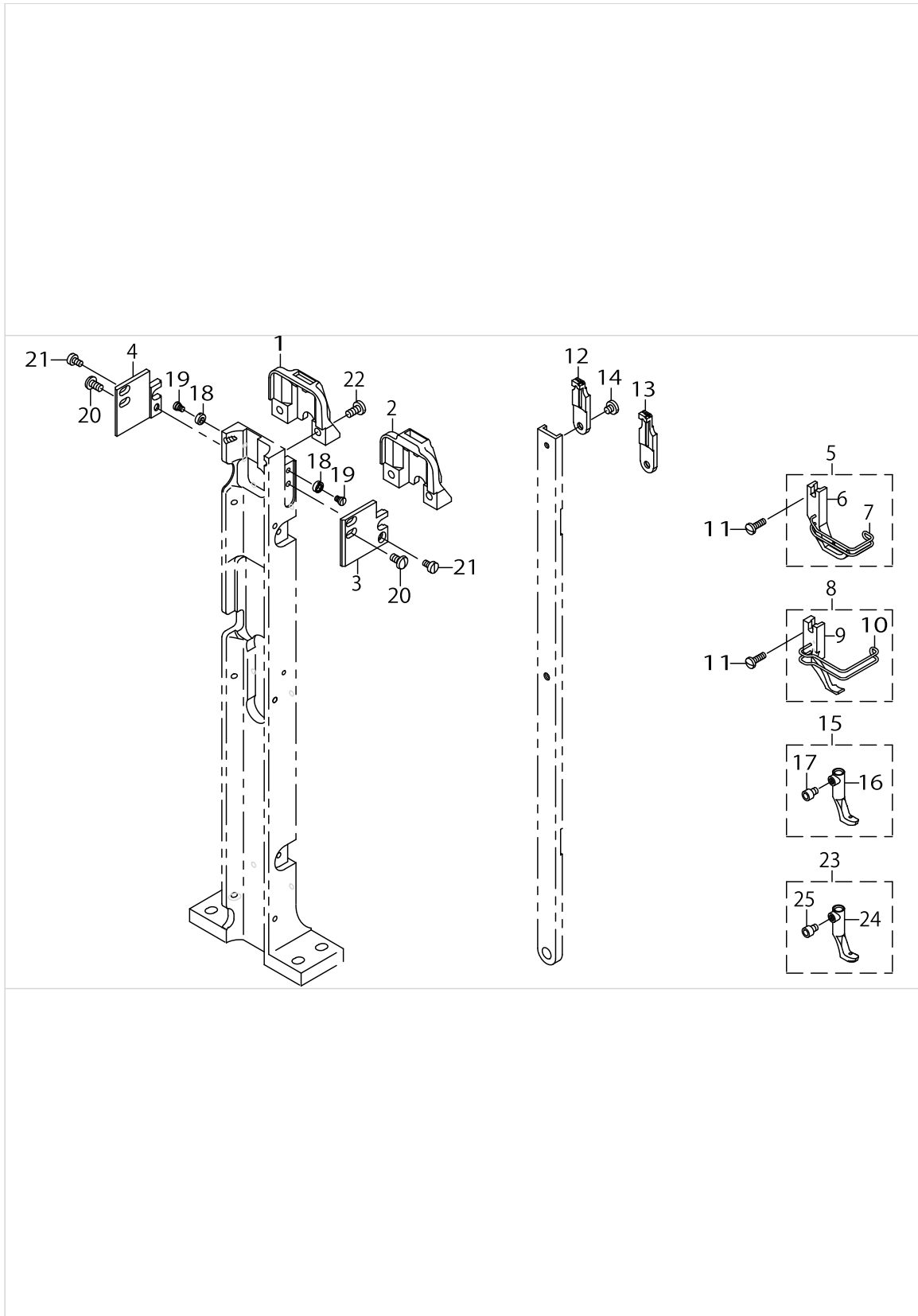
BELT COVER & OIL RESERVOIR COMPONENTS



BELT COVER & OIL RESERVOIR COMPONENTS

No.	Parts No.	Parts name	Remarks	Level	Cons	Qty
1	23012859	BELT COVER (LABEL STICK)				1
2	23012909	BELT COVER (REAR)				1
3	23013105	SYNCHRO SUPPORT				1
4	BT0630520Z0	HOLDER COVER				0.02
5	SS6110610TP	SCREW 11/64-40 L=6				2
6	D8232141E00	BELT COVER SUPPORT				7
7	SS7110510SP	SCREW 11/64-40 L=5				1
8	SS6110610TP	SCREW 11/64-40 L=6				14
9	23038102	BELT COVER REAR LOWER				1
10	23038003	BELT COVER FRONT LOWER				1
11	10772952	OIL RESERVOIR ASM.				1
12	40025299	OIL POT JOINT				1
13	21379003	OIL MANAGEMENT WASHER				1
14	B8112220000	OIL SEAL				1
15	40025300	OIL POT				1
16	SM3031401SE	SCREW M3X0.5 L=14				4
17	NM6030001SC	NUT M3				4
18	10748101	OIL REMOVING SETSCREW PACKING				8
19	WP0320501SC	WASHER M3				4
20	SK3241601SC	WOOD SCREW D=2.4 L=16				8

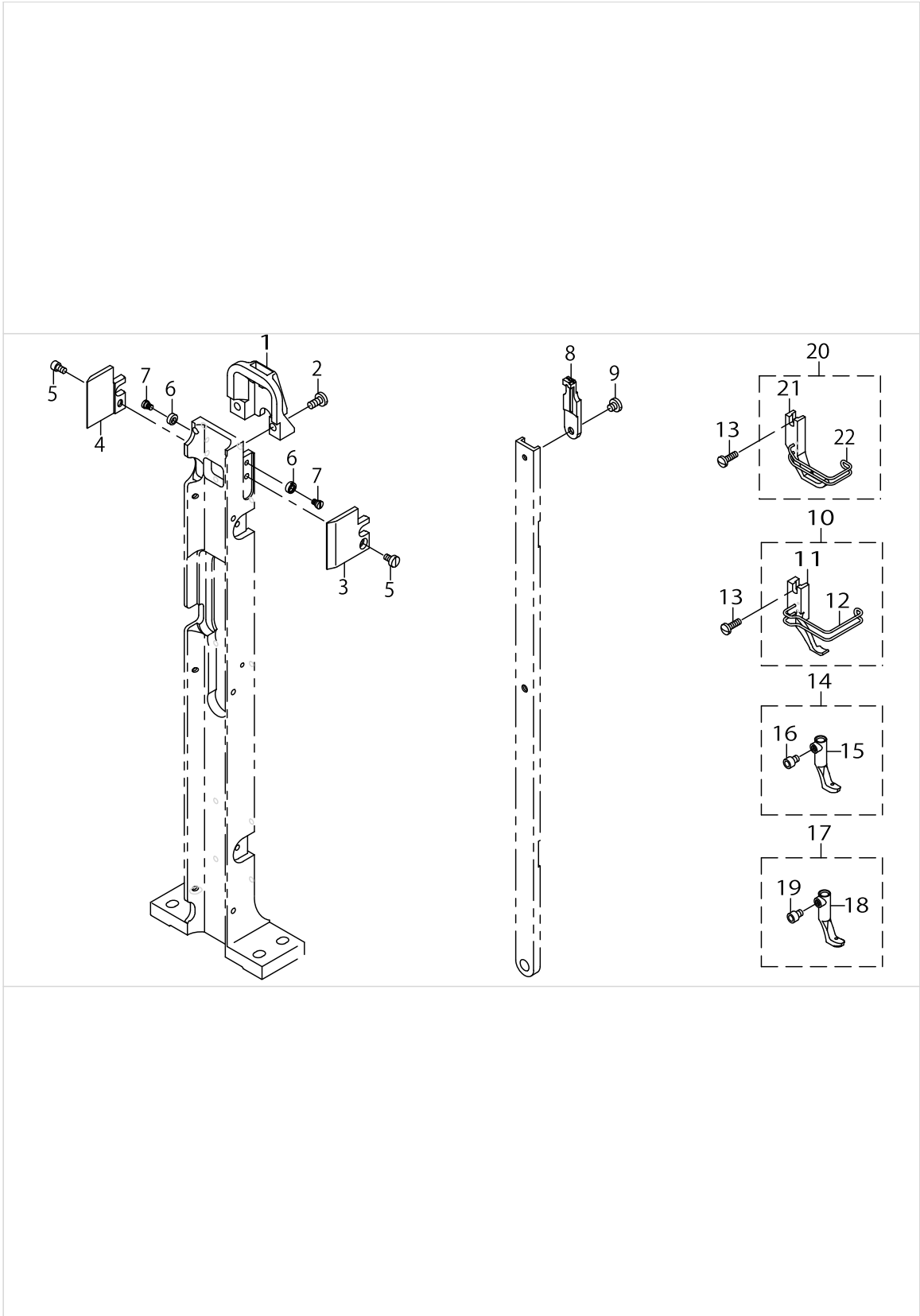
GAUGE COMPONENTS (FOR PLC-1690)



GAUGE COMPONENTS (FOR PLC-1690)

No.	Parts No.	Parts name	Remarks	Level	Cons	Qty
1	23041205	THROAT PLATE (FLAT TYPE)				1
2	23041106	THROAT PLATE	OPTIONAL PARTS			1
3	23040702	THROAT PLATE A				1
4	23040801	THROAT PLATE B				1
5	23041551	PRESSER FOOT ASM.				1
6	23041502	PRESSER FOOT		*		1
7	21444708	FINGER GUARD		*		1
8	23041650	PRESSER FOOT ASM.	OPTIONAL PARTS			1
9	23041601	PRESSER FOOT		*		1
10	23019409	FINGER GUARD		*		1
11	SS7091110TP	SCREW 9/64-40 L=10.5				1
12	23042500	FEED DOG				1
13	23042609	FEED DOG	OPTIONAL PARTS			1
14	SS7110410SP	SCREW 11/64-40 L=4				1
15	23043656	FEED FOOT ASM.				1
16	23043607	FEED FOOT		*		1
17	SM6040552TP	SCREW M4 L=4.5		*		1
18	23007503	ECCENTRIC ROLLER				2
19	23007602	HINGE SCREW				2
20	SS5110810SP	SCREW 11/64-40 L=8				4
21	SS6090620SP	SCREW 9/64-40 L=6				2
22	SS7110910SP	SCREW 11/64-40 L=8.5				2
23	23043755	FEED FOOT ASM.	OPTIONAL PARTS			1
24	23043706	FEED FOOT		*		1
25	SM6040552TP	SCREW M4 L=4.5		*		1

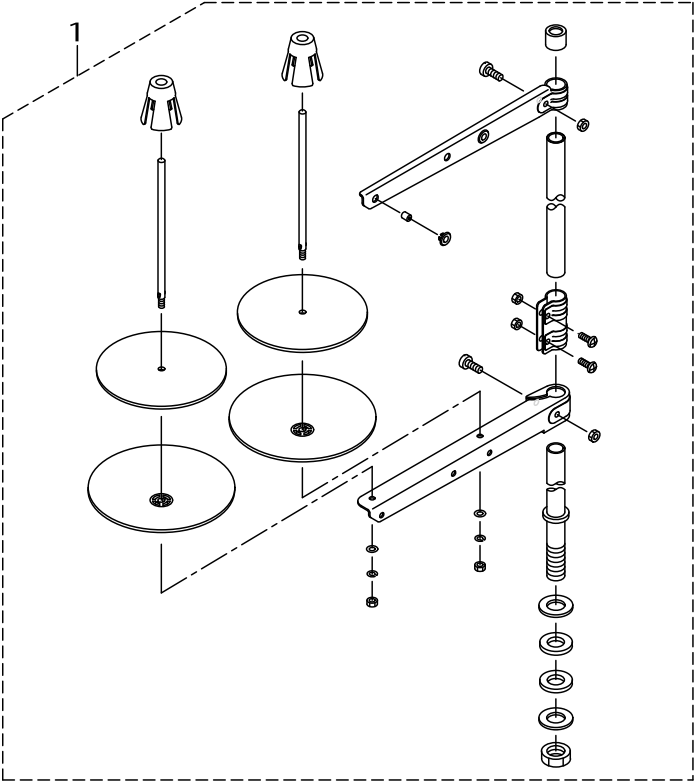
GAUGE COMPONENTS (FOR PLC-1691)



GAUGE COMPONENTS (FOR PLC-1691)

No.	Parts No.	Parts name	Remarks	Level	Cons	Qty
1	23040207	THROAT PLATE				1
2	SS7110910SP	SCREW 11/64-40 L=8.5				2
3	23040900	PRESSER FOOT BRACKET A				1
4	23041007	PRESSER FOOT BRACKET B				1
5	SS6090620SP	SCREW 9/64-40 L=6				4
6	23007503	ECCENTRIC ROLLER				2
7	23007602	HINGE SCREW				2
8	23042609	FEED DOG				1
9	SS7110410SP	SCREW 11/64-40 L=4				1
10	23041650	PRESSER FOOT ASM.				1
11	23041601	PRESSER FOOT		*		1
12	23019409	FINGER GUARD		*		1
13	SS7091110TP	SCREW 9/64-40 L=10.5				1
14	23043656	FEED FOOT ASM.				1
15	23043607	FEED FOOT		*		1
16	SM6040552TP	SCREW M4 L=4.5		*		1
17	23043755	FEED FOOT ASM.	OPTIONAL PARTS			1
18	23043706	FEED FOOT		*		1
19	SM6040552TP	SCREW M4 L=4.5		*		1
20	23041551	PRESSER FOOT ASM.	OPTIONAL PARTS			1
21	23041502	PRESSER FOOT		*		1
22	21444708	FINGER GUARD		*		1

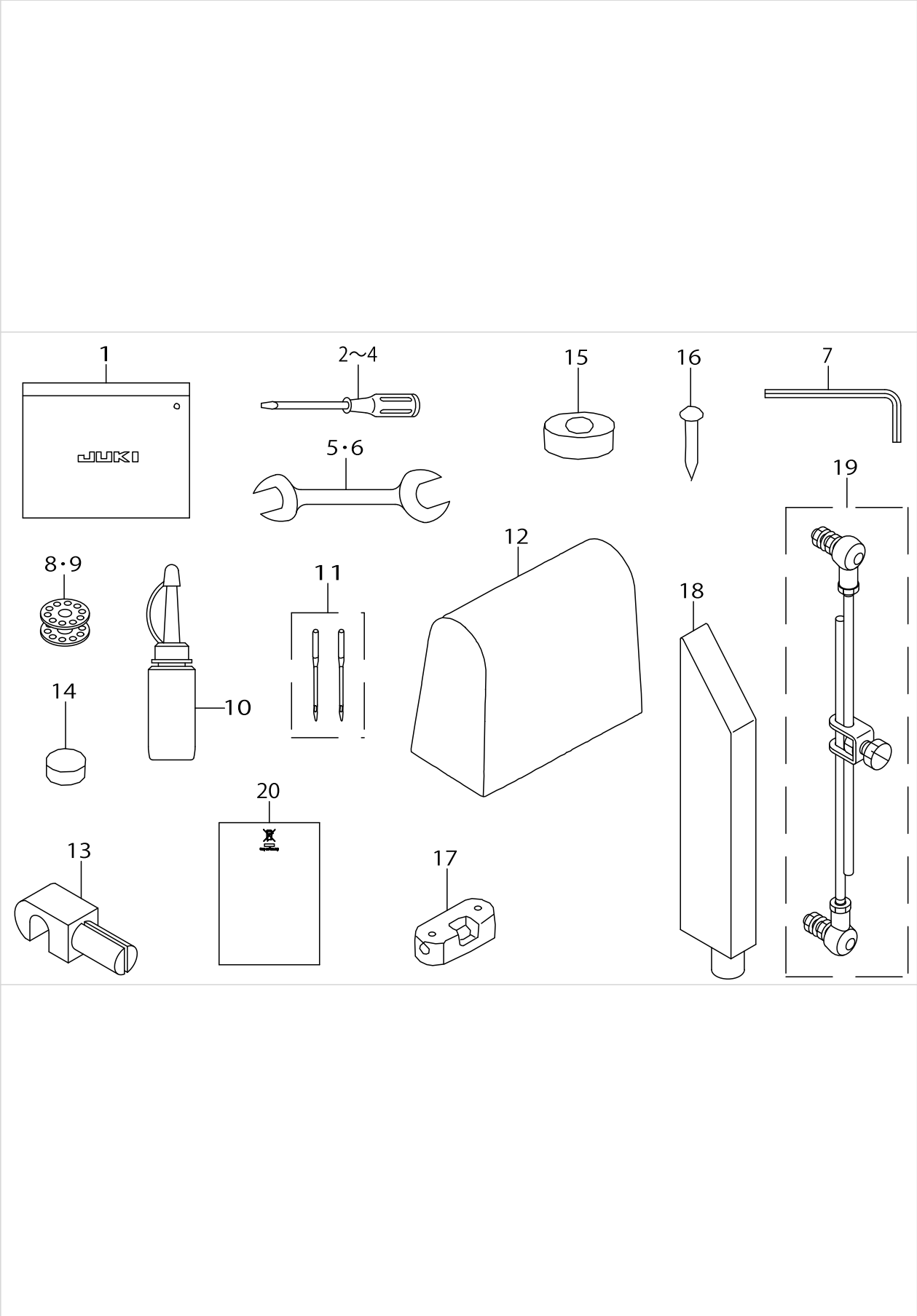
THREAD STAND COMPONENTS



THREAD STAND COMPONENTS

No.	Parts No.	Parts name	Remarks	Level	Cons	Qty
1	40096354	THREAD STAND ASM.				1

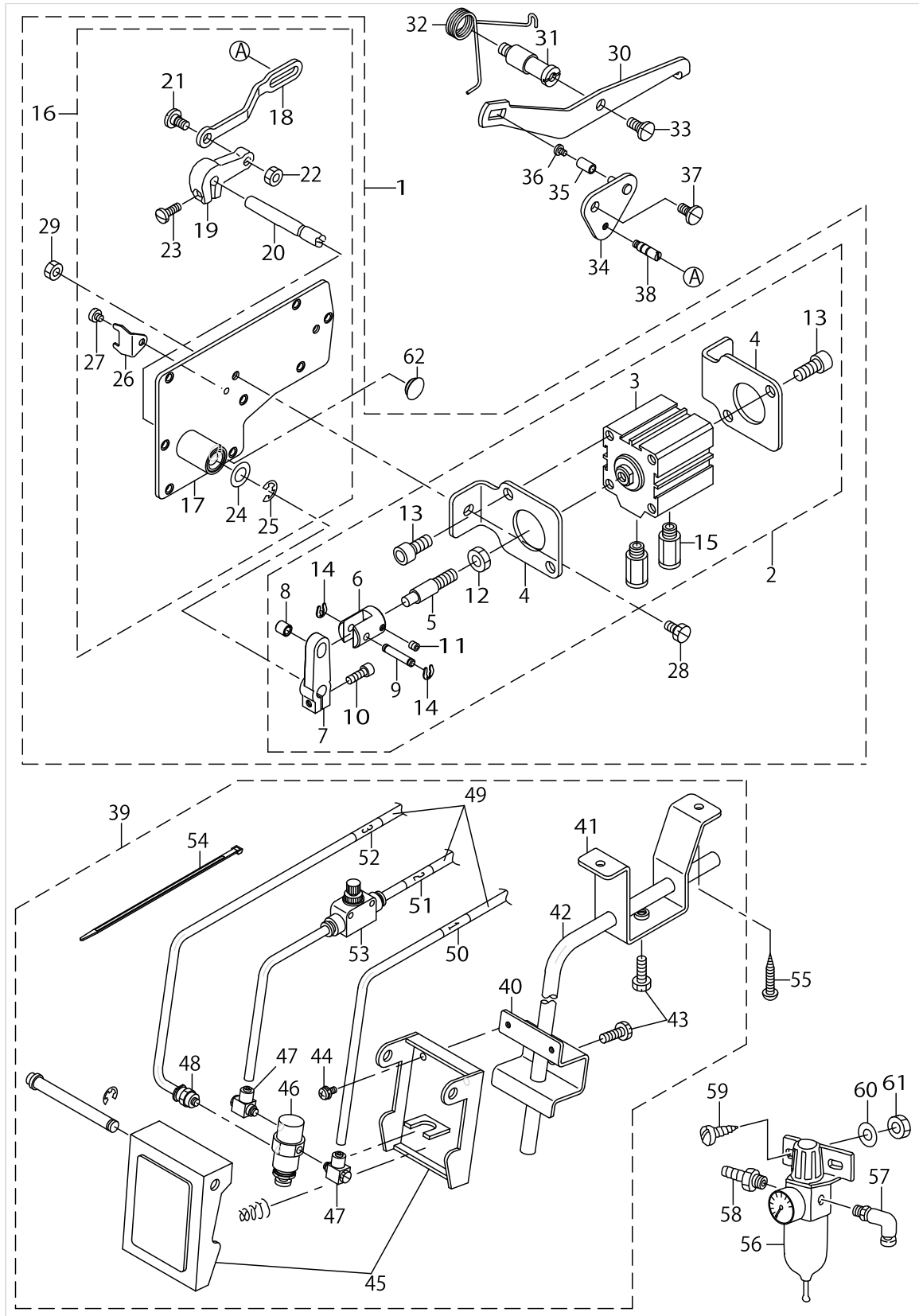
ACCESSORIES PARTS COMPONENTS



ACCESSORIES PARTS COMPONENTS

No.	Parts No.	Parts name	Remarks	Level	Cons	Qty
1	B9101552000	ACCESSORY BOX				1
2	22933006	SCREW DRIVER LARGE				1
3	B9110012000	SCREW DRIVER MIDDLE				1
4	B9111012000	SCREW DRIVER SMALL				1
5	B9143372000	WRENCH (7.1 X 8.1)				1
6	B9113012000	WRENCH (9X10)				1
7	B9141372000	HEXAGONAL WRENCH LARGE				1
8	B9117201000	BOBBIN				1
9	B9117012000	BOBBIN	FOR PLC-1691			1
10	B91212200A0	OILER (CONTAINING NO.2 OIL)				1
11	MC321001202	NEEDLE 134-35 #120-2				1
12	40048536	HEAD_COVER				1
13	B8213012000	BED HINGE CONNECTION				2
14	B8206012000	FELT CUSHION				4
15	B8209012000	RUBBER CUSHION				4
16	10539906	SET NAIL				8
17	10529600	WASHER				2
18	23038607	FRAM SUPPORT BAR				1
19	22958458	CONNECTING ROD ASM. B				1
20	CM600100201	WEEE INFORMATION SHEET				1

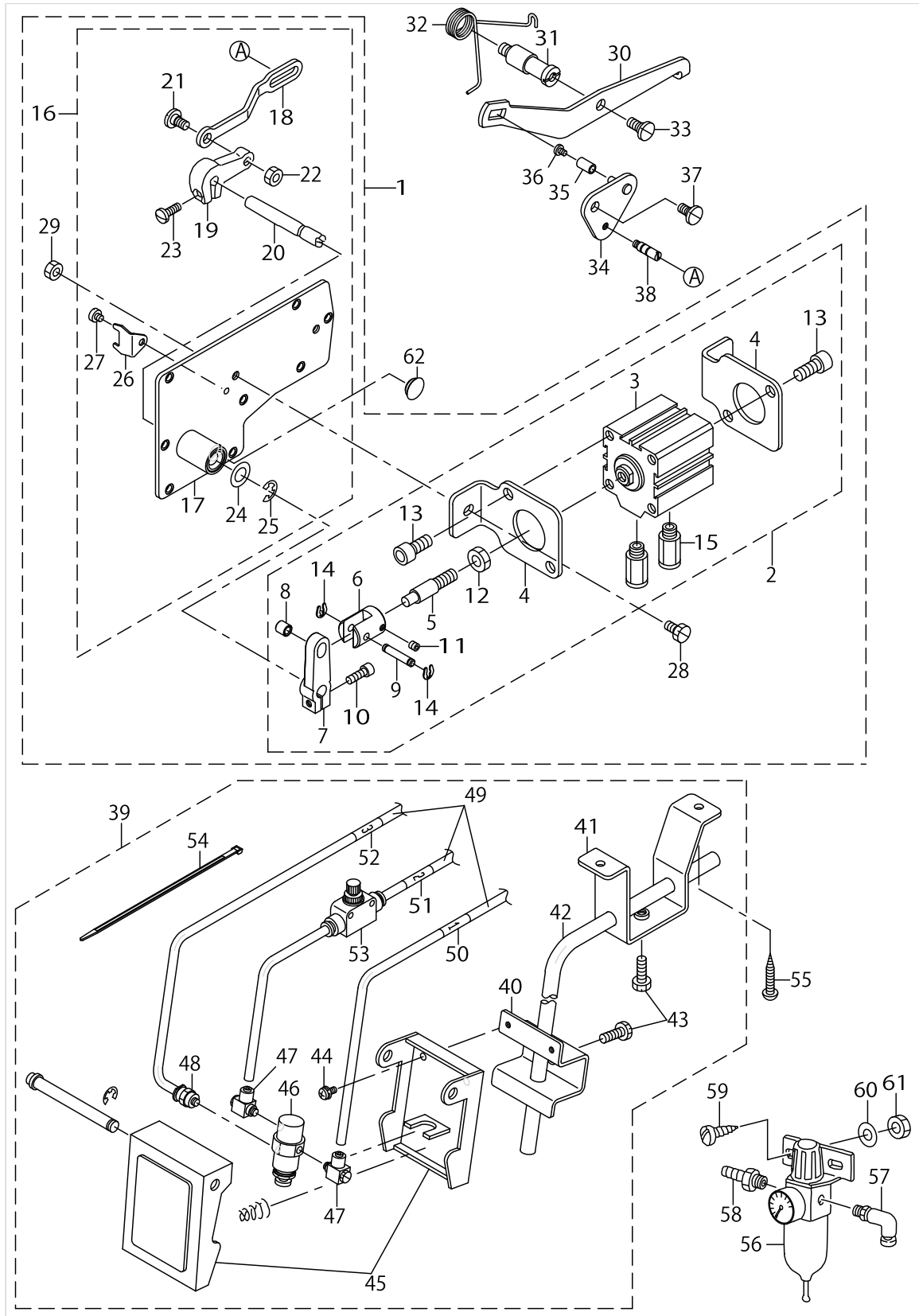
PRESSER LIFTING SOLENOID TYPE AK-131A COMPONENTS (FOR OPTION)



PRESSER LIFTING SOLENOID TYPE AK-131A COMPONENTS (FOR OPTION)

No.	Parts No.	Parts name	Remarks	Level	Cons	Qty
1	GAKA16010A0	AK DRIVING LINK ASM.				1
2	GAKA16030A0	AK CYLINDER ASM.		*		1
3	PA400200200	AIR CYLINDER		*		1
4	GAKA1604000	AK CYLINDER BASE		*		2
5	GAKA1605000	CYLINDER CONNECTING SHAFT		*		1
6	GAK33035000	SOLENOID COLLAR		*		1
7	GAK33011000	SOLENOID ARM A		*		1
8	GAK33013000	SOLENOID PIN COLLAR		*		1
9	GAK33012000	SOLENOID PIN		*		1
10	SM6051552TP	SCREW M5 L=15		*		1
11	SM8050502TP	SCREW M5 L=5		*		1
12	NM6080001SE	NUT M8		*		1
13	SM6081802TP	SCREW		*		4
14	GAK33014000	SNAP RING		*		2
15	PJ301065104	HALF UNION		*		2
16	GAKA16020A0	AK WINDOW PLATE ASM.		*		1
17	GAKA16020B0	WINDOW PLATE ASM.		*		1
18	GAKA1606000	SOLENOID LINK		*		1
19	GAK33027000	SOLENOID ARM		*		1
20	GAK33028000	SOLENOID SHAFT		*		1
21	SD0720331SP	HINGE SCREW D=7.24 H=3.3		*		1
22	NS6150310SP	NUT 15/64-28		*		1
23	SS7121410TP	SCREW 3/16-28 L=14		*		1
24	WP1021016SD	WASHER		*		1
25	RE0700000K0	E-RING 7		*		1
26	GAK33024000	SOLENOID LINK HOLDER		*		1
27	SS6110480SP	SCREW 11/64-40 L=4.3		*		1
28	SS9151160CP	SCREW 15/64-28 L=10.5		*		2
29	NS6150310SP	NUT 15/64-28		*		2
30	10312106	KNEE LIFTER FRONT LEVER				1
31	10311504	HOLDER STUD				1
32	10312213	SPRING				1
33	SD0790361SP	HINGE SCREW D=7.94 H=3.6				1
34	GAKA16070A0	KNEE LIFT REAR LEVER ASM.				1
35	10311801	LEVER SHAFT ROLLER				1
36	SS7090530SP	SCREW 9/64-40 L=4.5				1
37	SD0720331SP	HINGE SCREW D=7.24 H=3.3				1
38	GAK88040000	PIN				1
39	GAKA16080A0	KNEE LIFTER SWITCH ASM.				1
40	GAK81007000	KNEE LIFTER SWITCH BRACKET		*		1
41	GAK81008000	HOLDER		*		1
42	GAK81009000	ROD		*		1
43	SM9061850SC	SCREW M6 L=18		*		2
44	SL4041091SC	SCREW M4 L=10		*		2
45	PX020002000	ACTUATOR		*		1
46	PV010502000	AIR VALVE		*		1
47	PJ046059002	ELBOW		*		2

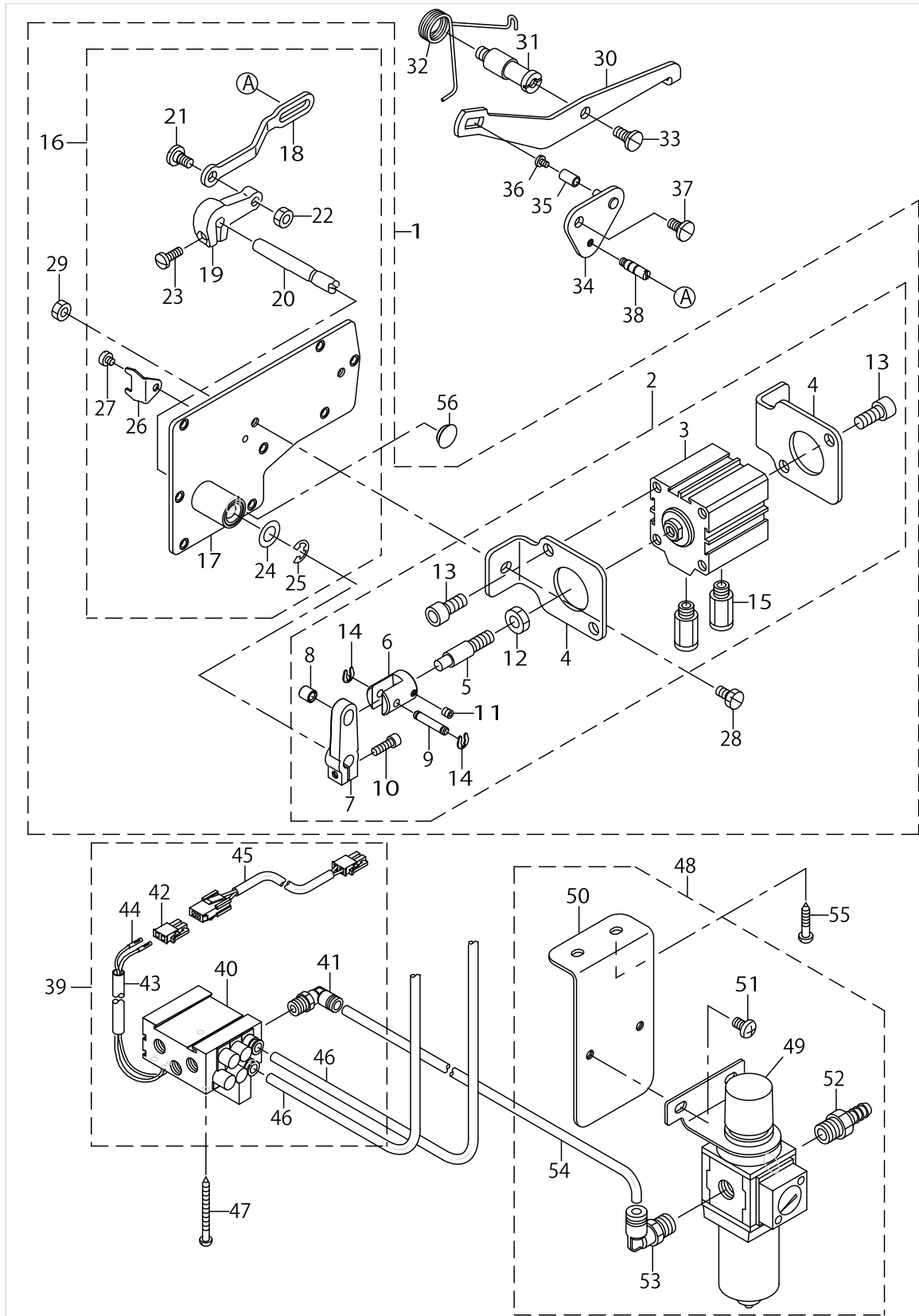
PRESSER LIFTING SOLENOID TYPE AK-131A COMPONENTS (FOR OPTION)



PRESSER LIFTING SOLENOID TYPE AK-131A COMPONENTS (FOR OPTION)

No.	Parts No.	Parts name	Remarks	Level	Cons	Qty
48	PJ301060504	JOINT		*		1
49	BT0600401EB	TUBE		*		4.34
50	18035006	CABLE MARK NO.1		*		1
51	18035105	WIRE MARK (2)		*		1
52	18035204	WIRE MARK (3)		*		1
53	PC012601000	SPEED CONTROLLER		*		1
54	EA9500B0200	CABLE BAND 150		*		1
55	SK3513200SC	WOOD SCREW D=5.1 L=32				2
56	PF0552100A0	FILTER REGULATER ASM.				1
57	PJ304065201	ELBOW UNION 6XPT1/4				1
58	F1021003000	HOSE JOINT				1
59	SL4041291SC	SCREW M4 L=12				2
60	WP0430801SC	WASHER 4.3X9X0.8				2
61	NM6040001SC	NUT M4				2
62	TA1250406R0	RUBBER PLUG D=12.5 L=4				1

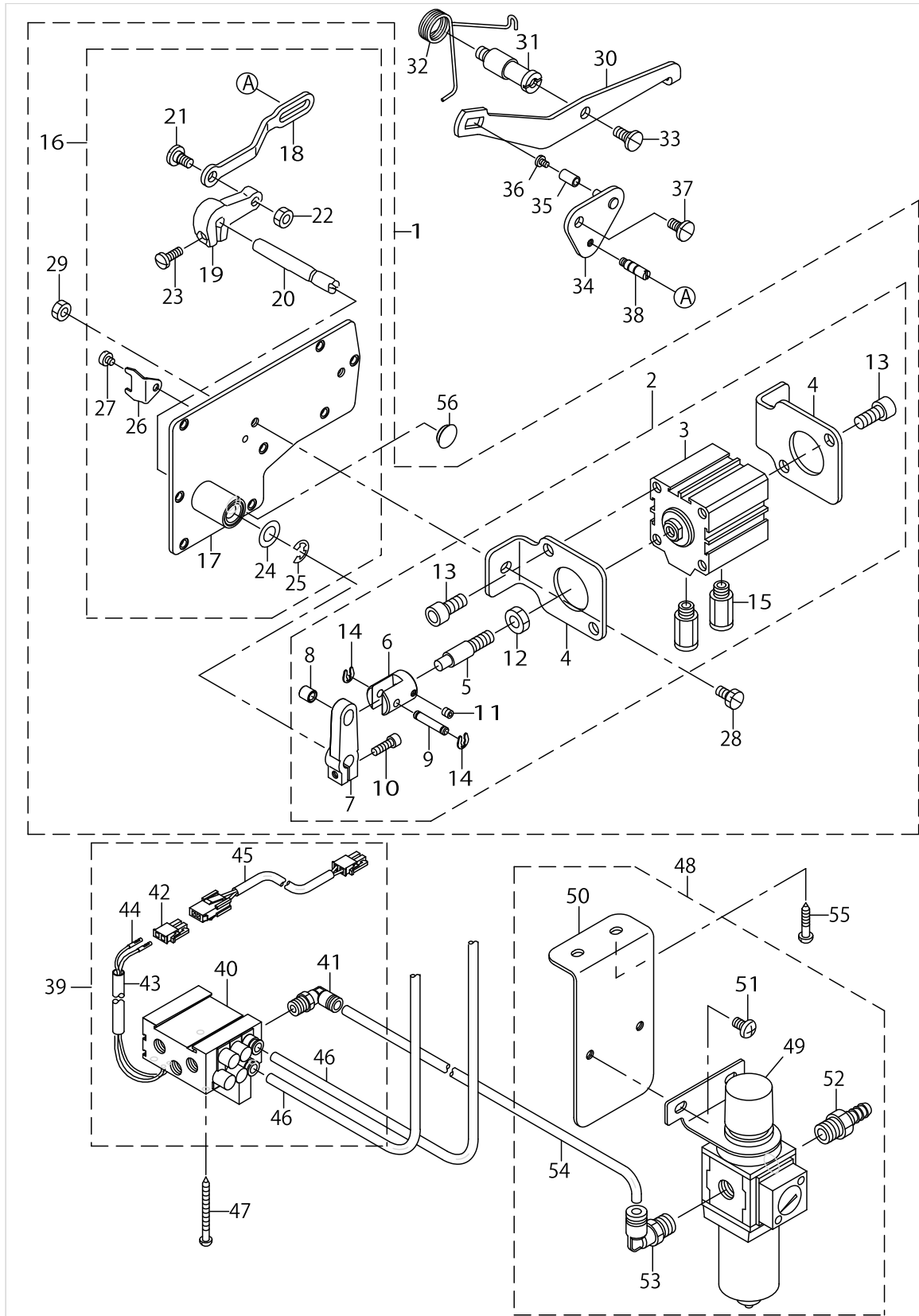
PRESSER LIFTING SOLENOID TYPE AK-146B COMPONENTS (FOR OPTION)



PRESSER LIFTING SOLENOID TYPE AK-146B COMPONENTS (FOR OPTION)

No.	Parts No.	Parts name	Remarks	Level	Cons	Qty
1	GAKA16010A0	AK DRIVING LINK ASM.				1
2	GAKA16030A0	AK CYLINDER ASM.		*		1
3	PA400200200	AIR CYLINDER		*		1
4	GAKA1604000	AK CYLINDER BASE		*		2
5	GAKA1605000	CYLINDER CONNECTING SHAFT		*		1
6	GAK33035000	SOLENOID COLLAR		*		1
7	GAK33011000	SOLENOID ARM A		*		1
8	GAK33013000	SOLENOID PIN COLLAR		*		1
9	GAK33012000	SOLENOID PIN		*		1
10	SM6051552TP	SCREW M5 L=15		*		1
11	SM8050502TP	SCREW M5 L=5		*		1
12	NM6080001SE	NUT M8		*		1
13	SM6081802TP	SCREW		*		4
14	GAK33014000	SNAP RING		*		2
15	PJ301065104	HALF UNION		*		2
16	GAKA16020A0	AK WINDOW PLATE ASM.		*		1
17	GAKA16020B0	WINDOW PLATE ASM.		*		1
18	GAKA1606000	SOLENOID LINK		*		1
19	GAK33027000	SOLENOID ARM		*		1
20	GAK33028000	SOLENOID SHAFT		*		1
21	SD0720331SP	HINGE SCREW D=7.24 H=3.3		*		1
22	NS6150310SP	NUT 15/64-28		*		1
23	SS7121410TP	SCREW 3/16-28 L=14		*		1
24	WP1021016SD	WASHER		*		1
25	RE0700000K0	E-RING 7		*		1
26	GAK33024000	SOLENOID LINK HOLDER		*		1
27	SS6110480SP	SCREW 11/64-40 L=4.3		*		1
28	SS9151160CP	SCREW 15/64-28 L=10.5		*		2
29	NS6150310SP	NUT 15/64-28		*		2
30	10312106	KNEE LIFTER FRONT LEVER				1
31	10311504	HOLDER STUD				1
32	10312213	SPRING				1
33	SD0790361SP	HINGE SCREW D=7.94 H=3.6				1
34	GAKA16070A0	KNEE LIFT REAR LEVER ASM.				1
35	10311801	LEVER SHAFT ROLLER				1
36	SS7090530SP	SCREW 9/64-40 L=4.5				1
37	SD0720331SP	HINGE SCREW D=7.24 H=3.3				1
38	GAK88040000	PIN				1
39	40103004	AIR APPARATUS ASM.				1
40	40038904	MAGNETIC VALVE(P)		*		1
41	GAK29010000	ELBOW B		*		1
42	HK034610020	2-POLE NYLON PLUG		*		1
43	GAKA1503000	INSULATION TUBE		*		1
44	HK03464000A	TERMINAL FEMALE		*		2
45	GAKA14020A0	CORD ASM.		*		1
46	BT0600401EB	TUBE		*		2
47	SK3385001SE	WOOD SCREW D=3.8 L=50				4

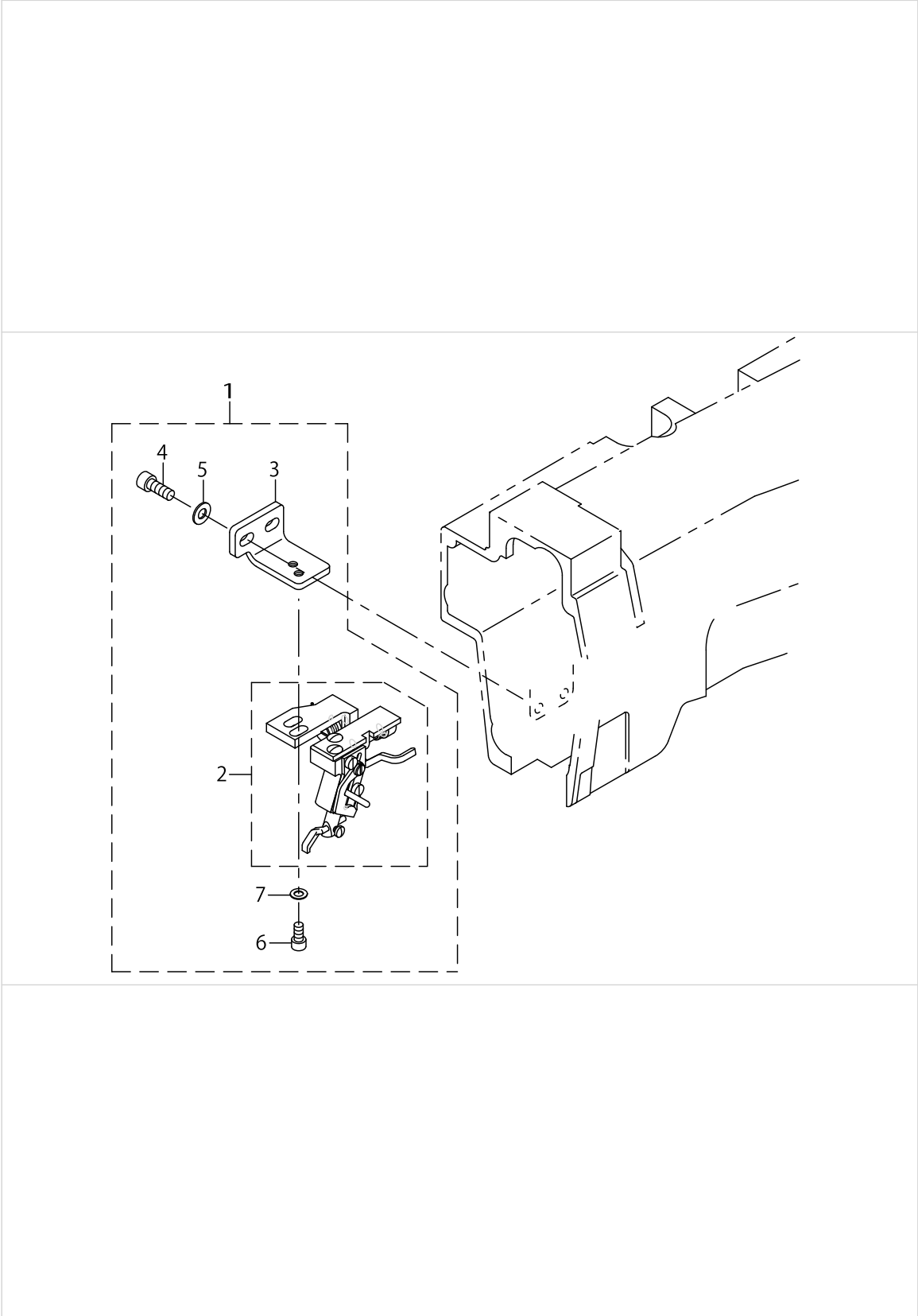
PRESSER LIFTING SOLENOID TYPE AK-146B COMPONENTS (FOR OPTION)



PRESSER LIFTING SOLENOID TYPE AK-146B COMPONENTS (FOR OPTION)

No.	Parts No.	Parts name	Remarks	Level	Cons	Qty
48	40038722	FILTER REGULATAR ASM.				1
49	PF0552170A0	FILTER REGULATOR		*		1
50	40038723	FILTER REGULATOR MOUNTING PLAT		*		1
51	SM4061001SB	SCREW M6 L=10		*		2
52	40107618	NIPPLE		*		1
53	GAK29009000	ELBOW		*		1
54	BT0600401EB	TUBE		*		1
55	SK3482501SE	WOOD SCREW D=4.8 L=25				2
56	TA1250406R0	RUBBER PLUG D=12.5 L=4				1

SWING EDGE GUIDE (FOR OPTION)



SWING EDGE GUIDE (FOR OPTION)

No.	Parts No.	Parts name	Remarks	Level	Cons	Qty
1	MAH122010A0	RULER ASM.				1
2	MAH122010B0	RULER ASM.		*		1
3	23038201	ATTACHMENT FITTING PLATE		*		1
4	SM6061602TP	SCREW M6 L=16		*		2
5	WP0621016SD	WASHER 6.2X13X1		*		2
6	SM6051002TP	SCREW M5X0.8 L=10		*		2
7	WP0520656SA	WASHER 5.2X9.5X0.6		*		2

HOW TO MAKE USE OF THIS PARTS LIST

1.Explanation of codes

1)"*"mark.....means this part is changed from the previous parts book.

As to the details of the change, refer to the "List for information of change".

2)"#01".....refer to "Note" explanation at bottom of page.

2.Codes on the "Qty" column

- Each numeral indicates the number of parts required.
- "0.1" and "2.5" indicate the length (in meters) of the respective parts.

3.Parentheses mean that the corresponding part is a subpart that constructs an assembly part.

4.Dotted lines on the Figures indicate assembly parts.

1."注記"欄の記号説明

1) "*"印.....前回のパーツブックに比較して今回変更された部品を意味します。

変更内容は、"変更情報リスト"を参照してください。

2) "#01".....ページ下の"注記"の説明を参照してください。

2.数量欄の数字は、個数を表し、0.1、2.5等の数値は、長さ（単位メートル）を表します。

3.数量欄の（ ）は、組部品を構成している子部品であることを意味します。

4.イラストページの-----枠は、組構成であることを意味します。

NUMERICAL INDEX OF PARTS

PART NO	PAGE	REF NO.	PART NO	PAGE	REF NO.	PART NO	PAGE	REF NO.
10004109	2	31	10704104	24	23	22933006	38	2~4
10088003	24	24	10704153	24	22	22958458	38	19
10106102	14	26	10723104	20	27	23000805	2	10
10107506	14	34	10748101	30	18	23001001	6	5
10107902	14	11	10772952	30	11	23001209	6	23
10111904	18	16~19	10774008	2	6	23001407	6	36
10112001	18	16~19	11023702	26	20	23001506	6	37
10112100	18	16~19	11023801	26	21	23001605	6	44
10112209	18	16~19	11024403	26	19	23001704	6	47
10124204	22	13	11072204	22	12	23001803	8	50
10124204	24	29	11072402	22	16	23001902	8	51
10201200	2	20	18035006	42	50	23002207	10	6
10204709	10	5	18035105	42	51	23002306	10	9
10207116	14	32	18035204	42	52	23002405	10	10
10207405	14	30	21010509	18	41	23002603	10	18
10301307	10	3	21010608	18	37	23002702	10	19
10301950	2	1	21010707	18	40	23002801	12	33
10305001	6	1	21011200	18	42	23002959	12	36
10305100	6	3	21048707	12	14	23003007	12	15
10305159	6	2	21364104	14	1	23003106	14	7
10308203	10	2	21379003	30	13	23003254	14	8
10310712	12	30	21427307	18	2	23003304	14	10
10311504	26	3	21444708	32	7	23003353	14	9
10311504	40	31	21444708	34	22	23003403	14	14
10311504	44	31	22537658	24	2	23003502	18	27
10311801	40	35	22538151	24	4	23003601	14	22
10311801	44	35	22538300	24	5	23003700	14	24
10312106	40	30	22538409	24	6	23004104	10	22
10312106	44	30	22603708	2	39	23004203	18	1
10312213	26	4	22603906	8	52	23004302	18	3
10312213	40	32	22609200	14	4	23004500	18	12
10312213	44	32	22609606	14	6	23004708	18	29
10315109	14	2	22610109	14	28	23004906	18	15
10315208	14	3	22610406	14	29	23006406	22	21
10315505	14	5	22611602	6	12	23006505	12	1
10320109	22	3	22611651	6	11	23006604	12	3
10321602	28	1	22814008	20	13	23006703	12	4
10321701	28	2	22863203	26	26	23006802	12	5
10439008	2	15	22863252	26	25	23007008	10	39
10502300	24	20	22904106	16	78	23007107	12	13
10503605	6	43	22904155	16	77	23007305	14	25
10509701	12	28	22907604	12	32	23007503	32	18
10529600	38	17	22907802	12	35	23007503	34	6
10539906	38	16	22912109	14	18	23007602	32	19
10618304	24	9	22932453	26	24	23007602	34	7

NUMERICAL INDEX OF PARTS

PART NO	PAGE	REF NO.	PART NO	PAGE	REF NO.	PART NO	PAGE	REF NO.
23008006	6	20	23037609	26	5	23043656	32	15
23008055	6	19	23037757	26	16	23043656	34	14
23008105	18	20	23037807	26	23	23043706	32	24
23008303	10	8	23037856	26	17	23043706	34	18
23009459	22	2	23038003	30	10	23043755	32	23
23009467	22	1	23038102	30	9	23043755	34	17
23009608	12	22	23038201	48	3	23044100	20	17
23009756	24	3	23038359	10	17	23044159	20	16
23009764	24	1	23038607	38	18	23044258	20	18
23012859	30	1	23038805	6	8	23044308	20	20
23012909	30	2	23038904	26	10	23044357	20	19
23013105	30	3	23039159	20	1	23044407	20	24
23014400	26	29	23039167	20	3	23044506	20	25
23014608	28	12	23039258	20	4	23044704	20	21
23019409	32	10	23039407	18	38	23044803	20	22
23019409	34	12	23039506	16	72	23044902	20	23
23025000	20	2	23040207	34	1	40016538	10	1
23025307	20	9	23040454	4	50	40025299	30	12
23025406	20	10	23040603	18	39	40025300	30	15
23025802	20	6	23040702	32	3	40032259	2	2
23026107	20	7	23040801	32	4	40038722	46	48
23026206	20	8	23040900	34	3	40038723	46	50
23026404	20	26	23041007	34	4	40038904	44	40
23027105	20	5	23041106	32	2	40048536	38	12
23035207	2	47	23041205	32	1	40052262	2	40
23035306	2	45	23041304	18	14	40096354	36	1
23035405	2	44	23041403	26	31	40103004	44	39
23035504	2	11	23041502	32	6	40107618	46	52
23035603	14	31	23041502	34	21	40108675	2	7
23035702	6	35	23041551	32	5	40113092	24	28
23035900	14	27	23041551	34	20	A321600100A	24	10
23036007	14	33	23041601	32	9	B111852200A	2	32
23036106	14	46	23041601	34	11	B1129521000	2	5
23036205	14	47	23041650	32	8	B1140526000	2	8
23036304	14	15	23041650	34	10	B1148555000	24	12
23036403	16	49	23041759	2	9	B1202512000	6	4
23036502	18	10	23042104	16	73	B1203512000	6	21
23036601	18	30	23042203	16	74	B1206245000	8	64
23036700	18	13	23042302	2	19	B1210051000	6	17
23036809	18	31	23042401	2	16	B1214019000	6	34
23037005	18	11	23042500	32	12	B1305055000A	6	38
23037104	26	1	23042609	32	13	B1307055000	6	39
23037203	26	6	23042609	34	8	B1308055000	6	40
23037302	26	8	23043607	32	16	B1309055000	6	41
23037401	26	11	23043607	34	15	B1310055000	6	42

NUMERICAL INDEX OF PARTS

PART NO	PAGE	REF NO.	PART NO	PAGE	REF NO.	PART NO	PAGE	REF NO.
B1313055000	6	45	B3213205000	24	18	D1454055B00	12	8
B1314055000	6	46	B3214047000	22	14	D1455055B00	12	7
B1401246000	10	4	B3216047000	24	26	D1456055B00	12	21
B1408051000	6	15	B3428521000	26	27	D1462241E00	12	18
B1410771000	10	11	B3431552000A	26	18	D1463241E00	12	19
B1411057000	10	20	B3432521000	26	7	D1907241E00	8	63
B1412051000	10	21	B3508512000	28	6	D3168555H0B	22	15
B1414232000	10	12~14	B3526226000	28	3	D3168555H0B	24	27
B141423200A	10	12~14	B8112220000	30	14	D8232141E00	30	6
B141423200B	10	12~14	B8206012000	38	14	EA9500B0000	28	13
B1414555000	12	9	B8209012000	38	15	EA9500B0200	42	54
B1418141H00	10	35	B8213012000	38	13	EA9502B0500	28	5
B1437051000	10	16	B9101552000	38	1	F1021003000	42	58
B1455053000	12	2	B9110012000	38	2~4	GAK29009000	46	53
B1461245000	12	17	B9111012000	38	2~4	GAK29010000	44	41
B1462053000	12	38	B9113012000	38	5~6	GAK33011000	40	7
B14670530A0	12	10	B9117012000	38	8~9	GAK33011000	44	7
B1468053000	12	11	B9117051000	20	28	GAK33012000	40	9
B1501141H00	12	34	B9117201000	20	15	GAK33012000	44	9
B1509141H00	12	29	B9117201000	38	8~9	GAK33013000	40	8
B1510141H00	12	31	B91212200A0	38	10	GAK33013000	44	8
B1513280000	14	17	B9141372000	38	7	GAK33014000	40	14
B152989000CA	24	8	B9143372000	38	5~6	GAK33014000	44	14
B1604012000A	14	19	BP800000000	28	4	GAK33024000	40	26
B1610512000	14	20	BT0600401EB	42	49	GAK33024000	44	26
B162438000A	14	35	BT0600401EB	44	54	GAK33027000	40	19
B1633470000	14	16	BT0600401EB	46	54	GAK33027000	44	19
B1636581B00	14	23	BT0630520Z0	30	4	GAK33028000	40	20
B1639051000	8	48	CM300200001	2	17	GAK33028000	44	20
B1653470000	14	21	CM301300001	2	18	GAK33035000	40	6
B1807512000	18	4	CM600100201	38	20	GAK33035000	44	6
B1816512000	18	5	CQ200000000	6	7	GAK81007000	40	40
B1905245000	8	62	CQ202000000	10	15	GAK81008000	40	41
B1906051000	6	6	CQ202000000	14	45	GAK81009000	40	42
B3120125000	22	11	CQ202000000	28	7	GAK88040000	40	38
B3125012000	22	6	CQ252000000	6	9	GAK88040000	44	38
B3126051000	22	8	CQ303000000	6	18	GAKA14020A0	44	45
B3127051000	22	7	CS0951019SH	18	34	GAKA1503000	44	43
B3128051000	22	4	CS095101BSH	18	33	GAKA16010A0	40	1
B3129053000	22	10	CS1021211SH	14	36	GAKA16010A0	44	1
B3132051000	22	9	CS1471012SH	14	39	GAKA16020A0	40	16
B3134521000	22	17	CS147101ASH	14	38	GAKA16020A0	44	16
B31375270A0	22	5	D1206241E00	6	16	GAKA16020B0	40	17
B3138512000	2	42	D1450055B00	6	32	GAKA16020B0	44	17
B3205210000	24	11	D1453055B00	12	6	GAKA16030A0	40	2

NUMERICAL INDEX OF PARTS

PART NO	PAGE	REF NO.	PART NO	PAGE	REF NO.	PART NO	PAGE	REF NO.
GAKA16030A0	44	2	PS0500142KP	4	49	SM6041002TP	18	36
GAKA1604000	40	4	PS0500302KH	26	15	SM6050802TP	26	14
GAKA1604000	44	4	PS060024100	28	11	SM6051002TP	48	6
GAKA1605000	40	5	PS0600502KP	22	22	SM6051552TP	40	10
GAKA1605000	44	5	PT0302000S0	10	7	SM6051552TP	44	10
GAKA1606000	40	18	PV010502000	40	46	SM6061202TP	26	9
GAKA1606000	44	18	PX020002000	40	45	SM6061602TP	48	4
GAKA16070A0	40	34	RC0560711KP	24	13	SM6061802TP	16	53
GAKA16070A0	44	34	RE0500000K0	8	53	SM6061802TP	18	21
GAKA16080A0	40	39	RE0500000K0	16	71	SM6081802TP	40	13
HK034610020	44	42	RE0500000K0	24	14	SM6081802TP	44	13
HK03464000A	44	44	RE0500711KP	14	42	SM8050502TP	16	68
MAH122010A0	48	1	RE0700000K0	40	25	SM8050502TP	40	11
MAH122010B0	48	2	RE0700000K0	44	25	SM8050502TP	44	11
MAT80110L00	2	33	RE0800000K0	12	26	SM8060802TP	8	61
MC321001200	10	23	RE0900000K0	26	13	SM8061002TP	6	22
MC321001202	38	11	RE1200000K0	8	60	SM9061850SC	40	43
NM6030001SC	30	17	RO074240100	14	41	SS1092810SP	20	14
NM6040001SC	42	61	RO092270200	24	15	SS1151310TP	26	30
NM6080001SE	40	12	SB120000200	6	13	SS2090520SL	2	37
NM6080001SE	44	12	SD0470281SP	22	19	SS3090610SP	2	38
NS6110310SP	22	20	SD0640322TP	8	55	SS3090710TP	22	18
NS6110310SP	24	25	SD0720331SP	40	37	SS4110815SP	16	62
NS6110310SP	28	10	SD0720331SP	44	37	SS5090610SP	4	52
NS6110530SP	12	27	SD0790361SP	26	2	SS5110810SP	32	20
NS6150310SP	10	29	SD0790361SP	40	33	SS6090620SP	2	14
NS6150310SP	16	70	SD0790361SP	44	33	SS6090620SP	16	76
NS6150310SP	40	29	SD0790433TP	16	55	SS6090620SP	24	21
NS6150310SP	44	29	SD0790601SP	16	56	SS6090620SP	32	21
NS6620310SP	2	41	SD0800422CP	14	44	SS6090620SP	34	5
NS6680320SP	10	27	SD0800481SP	12	37	SS6090630SP	16	50
NS6680320SP	16	69	SD0900701TP	10	25	SS6092120SP	10	33
PA400200200	40	3	SD0900701TP	14	43	SS6110480SP	40	27
PA400200200	44	3	SK3241601SC	30	20	SS6110480SP	44	27
PC012601000	42	53	SK3385001SE	44	47	SS6110520TP	10	30
PF0552100A0	42	56	SK3482501SE	46	55	SS6110610TP	30	8
PF0552170A0	46	49	SK3513200SC	42	55	SS6110630TP	26	32
PH0300062C0	18	26	SL4041091SC	40	44	SS6110710SP	16	60
PJ046059002	40	47	SL4041291SC	42	59	SS6121030SP	24	17
PJ301060504	42	48	SM3031401SE	30	16	SS6121050SP	16	63
PJ301065104	40	15	SM4061001SB	2	46	SS6121610TP	10	32
PJ301065104	44	15	SM4061001SB	46	51	SS6121610TP	16	61
PJ304065201	42	57	SM6040552TP	32	25	SS6151040SP	2	4
PS0200162KH	4	51	SM6040552TP	34	19	SS6661110SP	8	49
PS0200182KR	2	12	SM6040802TP	18	23	SS6661110SP	16	64

NUMERICAL INDEX OF PARTS

PART NO	PAGE	REF NO.	PART NO	PAGE	REF NO.	PART NO	PAGE	REF NO.
SS7080510TP	10	36	SS8150760TP	6	31	WP1021016SD	44	24
SS7080520SP	2	13	SS8150822TP	6	30			
SS7090510SP	26	28	SS8150912TH	6	29			
SS7090520SP	2	43	SS8150920SP	10	37			
SS7090530SP	40	36	SS8151150SP	16	57			
SS7090530SP	44	36	SS8151150SP	18	8			
SS7091110TP	12	39	SS8151230SP	8	58			
SS7091110TP	32	11	SS8151230SP	12	12			
SS7091110TP	34	13	SS8151550SP	6	10			
SS7110410SP	32	14	SS8660530TP	18	25			
SS7110410SP	34	9	SS8660610TP	6	33			
SS7110510SP	12	23	SS8660610TP	14	79			
SS7110510SP	16	66	SS8660610TP	16	79			
SS7110510SP	30	7	SS8660810TP	16	52			
SS7110710SP	2	34	SS8660810TP	18	9			
SS7110710SP	16	65	SS8661012TP	26	12			
SS7110710SP	22	23	SS8661030SP	6	14			
SS7110710SP	28	9	SS8661040TP	16	51			
SS7110720SP	10	38	SS8680540SP	8	65			
SS7110840SP	12	24	SS8680730SP	8	66			
SS7110910SP	2	48	SS8681650TP	6	26			
SS7110910SP	4	48	SS8681950SP	8	59			
SS7110910SP	10	40	SS9151160CP	40	28			
SS7110910SP	16	59	SS9151160CP	44	28			
SS7110910SP	32	22	SS9151440CP	14	12			
SS7110910SP	34	2	SS9151540SR	26	22			
SS7111140SP	28	8	TA1250406R0	2	27			
SS7111310SP	12	40	TA1250406R0	42	62			
SS7111310TP	10	34	TA1250406R0	46	56			
SS7111310TP	16	67	TA1250504R0	2	28			
SS7120760SP	6	24	TA1270502R0	2	26			
SS7121410TP	40	23	TA2100904R0	2	22			
SS7121410TP	44	23	TA2351004R0	2	25			
SS7621040SP	12	25	WP0320501SC	30	19			
SS7621040SP	24	16	WP0370316SD	12	41			
SS7681750TP	6	56	WP0371026SD	10	26			
SS7681750TP	8	56	WP0430801SC	42	60			
SS8090410SP	8	57	WP0482086SD	12	20			
SS8110422TP	24	7	WP0520656SA	48	7			
SS8111610SP	24	19	WP0621016SD	14	13			
SS8150310SP	12	16	WP0621016SD	48	5			
SS8150510TP	6	27	WP0650876SD	10	24			
SS8150710SP	6	28	WP0651056SD	16	54			
SS8150710SP	18	35	WP0651056SD	18	22			
SS8150710TP	18	28	WP1021016SD	40	24			