

MODEL : AMS-210DHL/6100

List No : 1251-01

# PARTS LIST

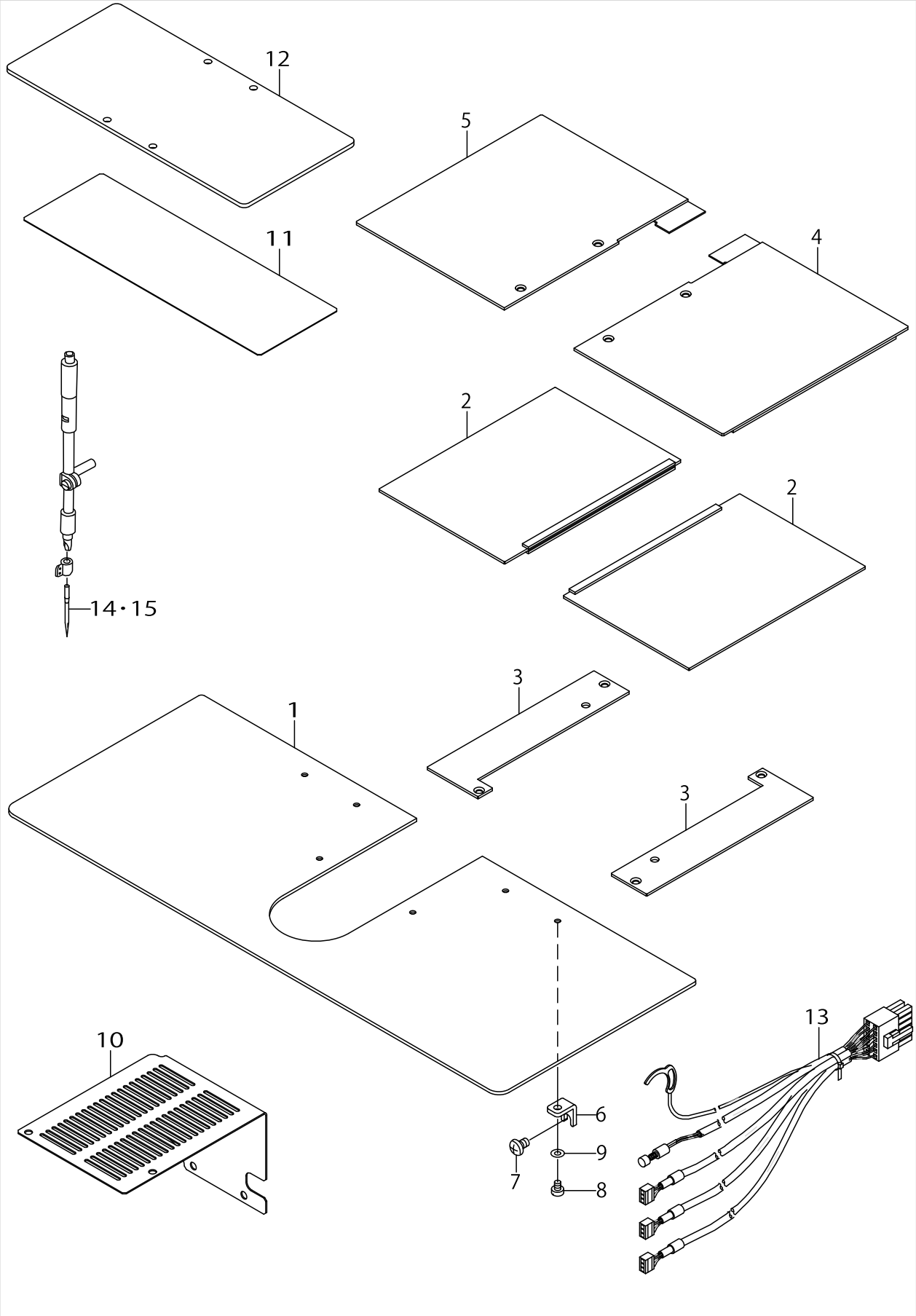
Published:09/10/2017

## CONTENTS

---

EXCLUSIVE PARTS FOR AMS-210DHL-6100/-6100P (1).....	1
EXCLUSIVE PARTS FOR AMS-210DHL-6100/-6100P (2).....	3
EXCLUSIVE PARTS FOR AMS-210DHL-6100/-6100P (3).....	5
HOW TO MAKE USE OF THIS PARTS LIST .....	7

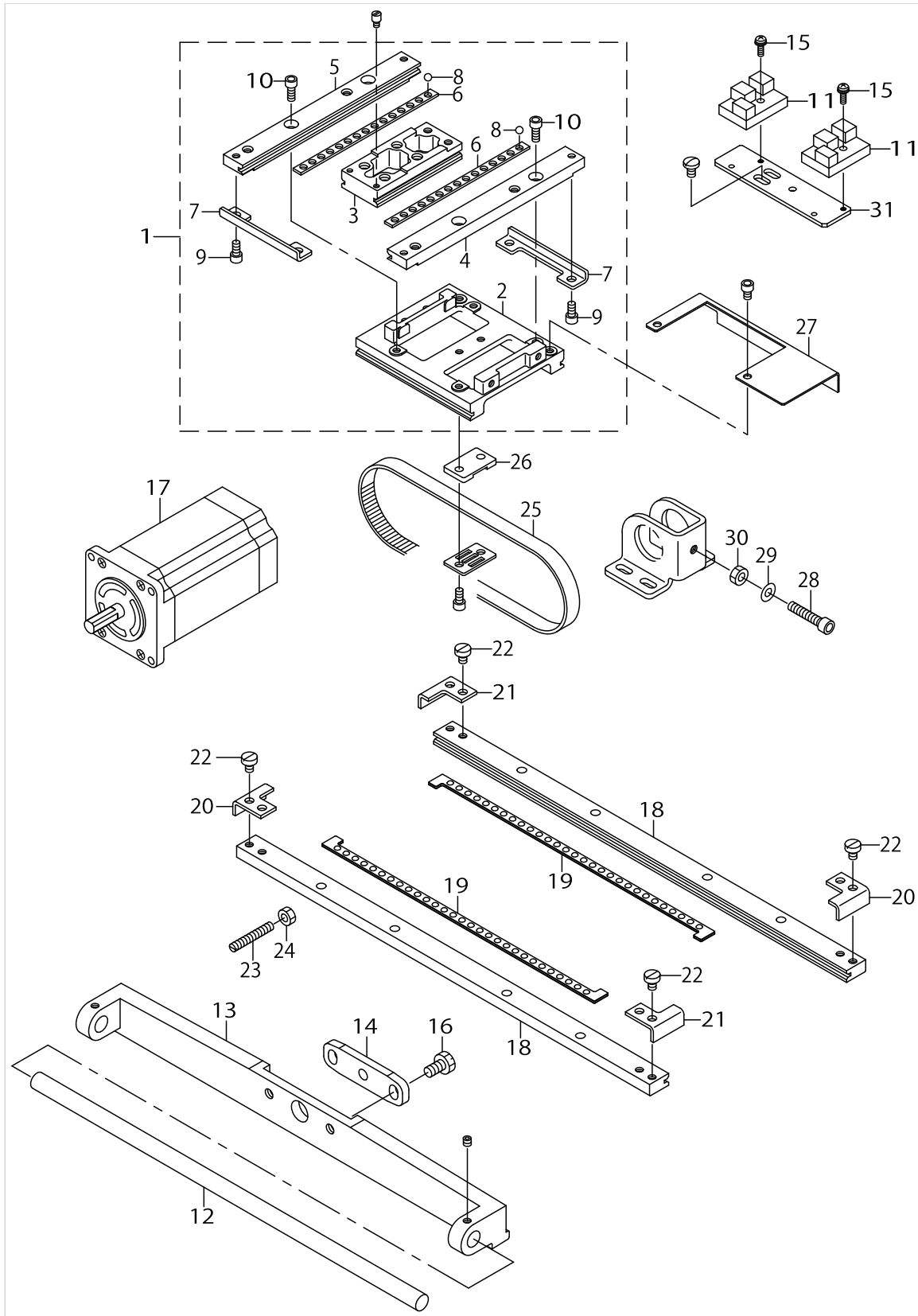
EXCLUSIVE PARTS FOR AMS-210DHL-6100/-6100P (1)



EXCLUSIVE PARTS FOR AMS-210DHL-6100/-6100P (1)

No.	Parts No.	Parts name	Remarks	Level	Cons	Qty
1	D1112D10D0D	NEEDLE PLATE SUPPORT COVER				1
2	D1109D10DAD	X FEED LOWER COVER ASM.				2
3	D1108D10D0D	FEED BASE COVER				2
4	D1110D10DAD	X FEED UPPER COVER ASM.,RIGHT				1
5	D1118D10DAD	X FEED UPPER COVER ASM.,LEFT				1
6	D1113D10D0D	COVER SUPPORT				2
7	SS4150915SP	SCREW 15/64-28 L=9				2
8	SS6110610TP	SCREW 11/64-40 L=6				2
9	WP0520656SA	WASHER 5.2X9.5X0.6				2
10	D1106D10D0D	X MOTOR COVER				1
11	B1520210D0A	PRESSER PLATE SHEET (EXTENSION				1
12	B1522210D0A	PRESSER PLATE AIR TYPE(EXTENSI				1
13	40023442	SENSOR CABLE ASM.,A				1
14	MDP170B2100	NEEDLE DPX17 #21				1
15	MC372001300	NEEDLE	FOR JE			1

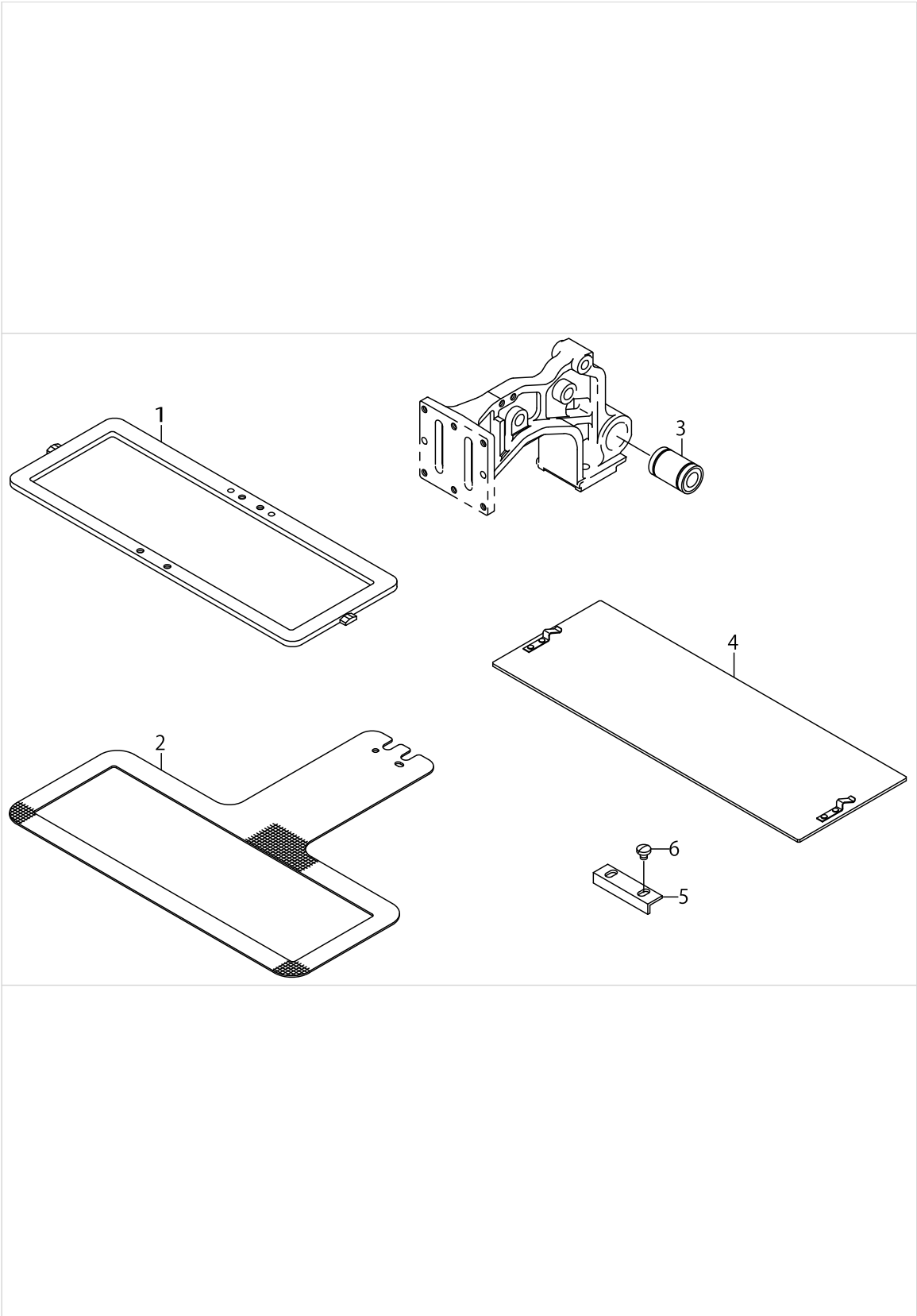
EXCLUSIVE PARTS FOR AMS-210DHL-6100/-6100P (2)



EXCLUSIVE PARTS FOR AMS-210DHL-6100/-6100P (2)

No.	Parts No.	Parts name	Remarks	Level	Cons	Qty
1	D2501D10DAD	X-Y TABLE COMPL.				1
2	D2502D10D0D	RACE TABLE		*		1
3	B2519210D00	Y REMOVAL RACE		*		1
4	B2520210D0A	Y FIXED RACE,RIGHT		*		1
5	B2520210D0B	Y FIXED RACE,LEFT		*		1
6	B2521210D00	Y BALL GAUGE		*		2
7	B2522210D00	Y STOPPER		*		2
8	B2527210000	BALL		*		30
9	SM6040802TP	SCREW M4X0.7 L=8		*		4
10	SM6041002TP	SCREW M4 L=10		*		4
11	HD00057000A	PHOTO SENSOR				2
12	D2510D10D0D	X GUIDE SHAFT				1
13	D2511D10D0D	X GUIDE SHAFT SUPPORT				1
14	D2525D10D0D	Y FEED SHAFT PLATE				1
15	SL4031081SF	SCREW M3 L=10				2
16	SS9151120CP	SCREW 15/64-28 L=11				2
17	D2529D10D0D	FEED STEPPING MOTOR				2
18	B2501210D0A	X FIXED RACE (EXTENSION)				2
19	B2508210DAB	X BALL GAUGE ASM.(EXTENSION)				2
20	B2507210D0A	X STOPPER A (EXTENSION)				2
21	B2507210D0B	X STOPPER B (EXTENSION)				2
22	SS6110610TP	SCREW 11/64-40 L=6				8
23	SS8123070SP	SCREW 3/16-28 L=30.0				2
24	NS6120310SP	NUT 3/16-28				2
25	B2512210D0A	X TIMING BELT(EXTENSION)				1
26	B2532210D00	X BELT BASE (EXTENSION)				1
27	B4007210D0A	X SENSOR SLIT (EXTENSION)				1
28	SM6052502TP	SCREW M5X0.8 L=25				1
29	WP0520656SA	WASHER 5.2X9.5X0.6				1
30	NM6050001SP	NUT M5				1
31	D4004D10D0D	X SENSOR INSTALLING PLATE				1

EXCLUSIVE PARTS FOR AMS-210DHL-6100/-6100P (3)



EXCLUSIVE PARTS FOR AMS-210DHL-6100/-6100P (3)

No.	Parts No.	Parts name	Remarks	Level	Cons	Qty
1	D2553D10D0D	FEEDING FRAME				1
2	D2552D10D0D	LOWER PLATE				1
3	SB710000300	BEARING				1
4	D2557D10DAD	BLANK ASM.				2
5	B2592210000	PLASTIC PLATE STOPPER				1
6	SS7110340SP	SCREW 11/64-40 L= 3.2				2



## HOW TO MAKE USE OF THIS PARTS LIST

1.As to "#01" and "#02" refer to the "Note" given at the bottom of the respective pages.

2.Codes on the "Qty" column

- Each numeral indicates the number of parts required.
- "0.1" and "2.5" indicate the length (in meters) of the respective parts.

3.Parentheses mean that the corresponding part is a subpart that constructs an assembly part.

4.Dotted lines on the Figures indicate assembly parts.

1. リストページの# 0 1、# 0 2の印は、ページ下の"注記"の説明を参照下さい。
2. 数量欄の数字は、個数を表し、0. 1、2. 5等の数値は、長さ（単位メートル）を表します。
3. 数量欄の（ ）は、組部品を構成している子部品であることを意味します。
4. イラストページの-----枠は、組構成であることを意味します。

NUMERICAL INDEX OF PARTS

PART NO	PAGE	REF NO.	PART NO	PAGE	REF NO.
40023442	2	13	SS6110610TP	2	8
B1520210D0A	2	11	SS6110610TP	4	22
B1522210D0A	2	12	SS7110340SP	6	6
B2501210D0A	4	18	SS8123070SP	4	23
B2507210D0A	4	20	SS9151120CP	4	16
B2507210D0B	4	21	WP0520656SA	2	9
B2508210DAB	4	19	WP0520656SA	4	29
B2512210D0A	4	25			
B2519210D00	4	3			
B2520210D0A	4	4			
B2520210D0B	4	5			
B2521210D00	4	6			
B2522210D00	4	7			
B2527210000	4	8			
B2532210D00	4	26			
B2592210000	6	5			
B4007210D0A	4	27			
D1106D10D0D	2	10			
D1108D10D0D	2	3			
D1109D10DAD	2	2			
D1110D10DAD	2	4			
D1112D10D0D	2	1			
D1113D10D0D	2	6			
D1118D10DAD	2	5			
D2501D10DAD	4	1			
D2502D10D0D	4	2			
D2510D10D0D	4	12			
D2511D10D0D	4	13			
D2525D10D0D	4	14			
D2529D10D0D	4	17			
D2552D10D0D	6	2			
D2553D10D0D	6	1			
D2557D10DAD	6	4			
D4004D10D0D	4	31			
HD00057000A	4	11			
MC372001300	2	14-15			
MDP170B2100	2	14-15			
NM6050001SP	4	30			
NS6120310SP	4	24			
SB710000300	6	3			
SL4031081SF	4	15			
SM6040802TP	4	9			
SM6041002TP	4	10			
SM6052502TP	4	28			
SS4150915SP	2	7			