

MODEL : AMS-221D/AMS-215D

List No : 1248-02

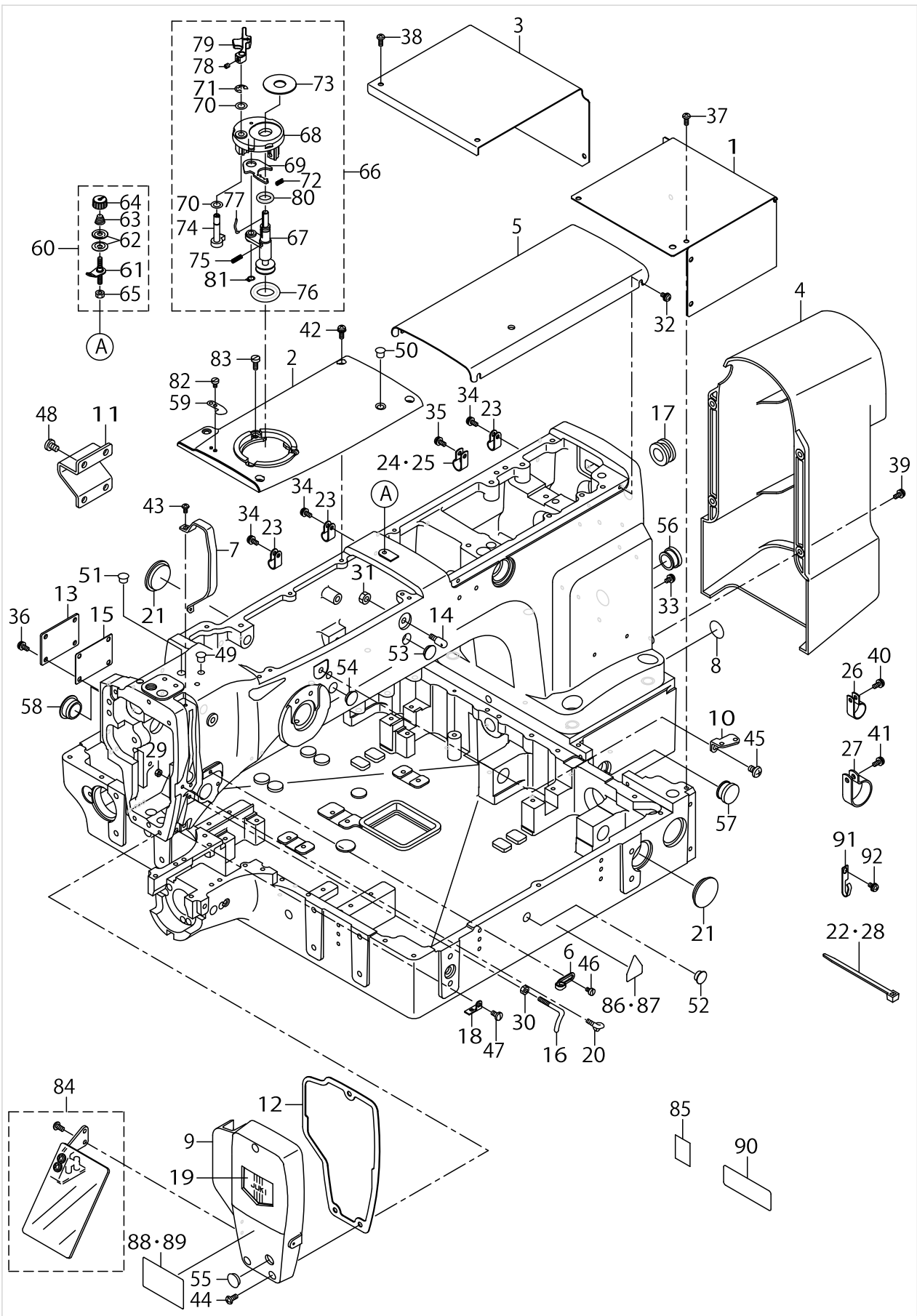
PARTS LIST

Published:09/10/2017

CONTENTS

FRAME & MISCELLANEOUS COVER COMPONENTS (1)	1
FRAME & MISCELLANEOUS COVER COMPONENTS (2)	5
MAIN SHAFT & NEEDLE BAR COMPONENTS	9
PRESSER MECHANISM COMPONENTS	13
SHUTTLE DRIVER SHAFT COMPONENTS.....	17
WIPER MECHANISM COMPONENTS	21
TENSION RELEASE & THREAD TENSION COMPONENTS.....	23
TENSION RELEASE & THREAD TRIMMER MECHANISM COMPONENTS.....	25
X-Y COMPONENTS	29
CLOTH FEED MECHANISM COMPONENTS.....	33
LUBRICATION COMPONENTS	37
SENSOR COMPONENTS	41
PNEUMATIC COMPONENTS	43
TABLE COMPONENTS	45
THREAD STAND COMPONENTS.....	49
OPERATION BOX COMPONENTS	51
CONTROL BOX COMPONENTS	53
WIRING DIAGRAM.....	57
PEDAL & ELECTRICAL EQUIPMENT ACCESSORIE PART COMPONENTS	59
ACCESSORIE PART COMPONENTS.....	61
OPTIONAL PART COMPONENTS.....	63
AMS-221D/215D PERFECT STITCH EXCLUSIVE PART COMPONENTS.....	67
LIST FOR INFORMATION OF CHANGE.....	71
HOW TO MAKE USE OF THIS PARTS LIST	72

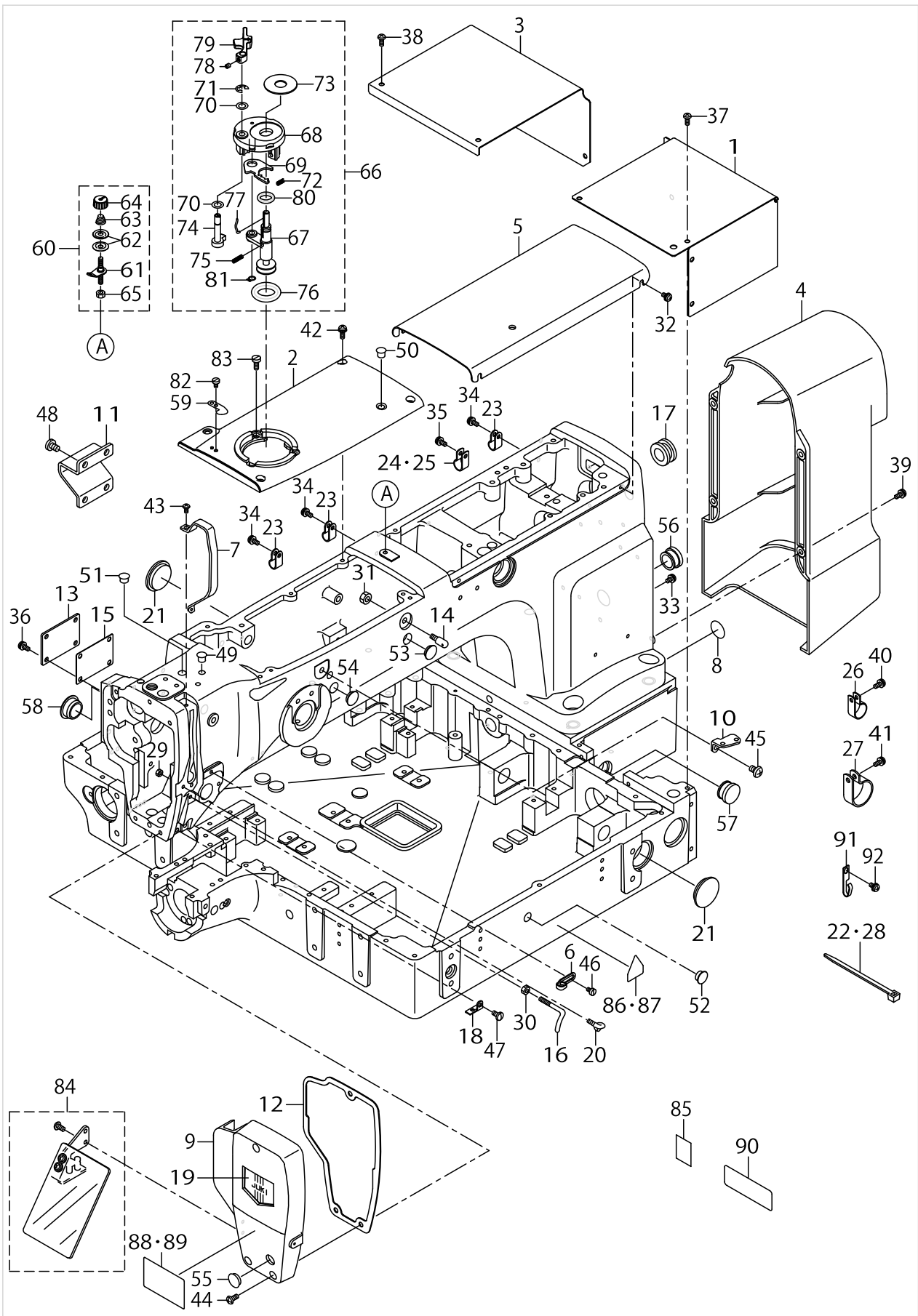
FRAME & MISCELLANEOUS COVER COMPONENTS (1)



FRAME & MISCELLANEOUS COVER COMPONENTS (1)

No.	Parts No.	Parts name	Remarks	Level	Cons	Qty
1	B1103221D00	BED COVER,RIGHT				1
2	B1104221D00	TOP COVER,FRONT				1
3	B1106221D00	BED COVER,LEFT				1
4	B1107221D00	MOTOR COVER				1
5	B1109221D00	TOP COVER,REAR				1
6	11018504	ARM THREAD GUIDE A				1
7	13816608	BALANCE COVER				1
8	10004109	GROUND MARK				1
9	B1105210D00	FACE PLATE				1
10	B1111232000	THREAD GUIDE PLATE				1
11	B1116215000	FRAME SUPPORT				1
12	B1117210D00	FACE PLATE GASKET				1
13	B1123210D00	COVER				1
14	B1123280000	FIRST THREAD GUIDE				1
15	B1125210D00	COVER GASKET				1
16	B1125215P00	L-SHAPED THREAD GUIDE				1
17	B1126210000	WIRE BUSHING				1
18	B1129210000	FRAME THREAD GUIDE (B)				1
19	B1178191000	FACE PLATE DRESSING TABLE				1
20	B3114771000	THREAD GUIDE				1
21	B8267180000	RUBBER PLUG				2
22	EA9500B0200	CABLE BAND 150				2
23	HX00123000A	CABLE CLIP				3
24	HX00150000D	CABLE CLIP	FOR2△△DSS,DHS			1
25	HX00150000F	CABLE CLIP	FOR2△△DSL,DHL			1
26	HX00150000H	CABLE CLIP				1
27	HX00150000N	CABLE CLIP				1
28	HX002330000	CLIP				1
29	NS6090310SP	NUT 9/64-40				1
30	NS6090310SP	NUT 9/64-40				1
31	NS6150310SP	NUT 15/64-28				1
32	SL4040891SC	SCREW M4 L=8				4
33	SL4040881SC	SCREW M4 L=8				1
34	SL4040891SC	SCREW M4 L=8				3
35	SL4040891SC	SCREW M4 L=8				1
36	SL4040891SC	SCREW M4 L=8				3
37	SL4041091SC	SCREW M4 L=10				5
38	SL4041091SC	SCREW M4 L=10				3
39	SL4041091SC	SCREW M4 L=10				4
40	SL4041091SC	SCREW M4 L=10				1
41	SL4041091SC	SCREW M4 L=10				1
42	SL4041281SC	SCREW M4X0.7 L=12				4
43	SS4090715SP	SCREW 9/64-40 L=7				2
44	SS4111015SP	SCREW 11/64-40 L=10				3
45	SS4150915SP	SCREW 15/64-28 L=9				1
46	SS6090630SP	SCREW 9/64-40 L=6				1
47	SS7110840SP	SCREW 11/64-40 L=7.8				1

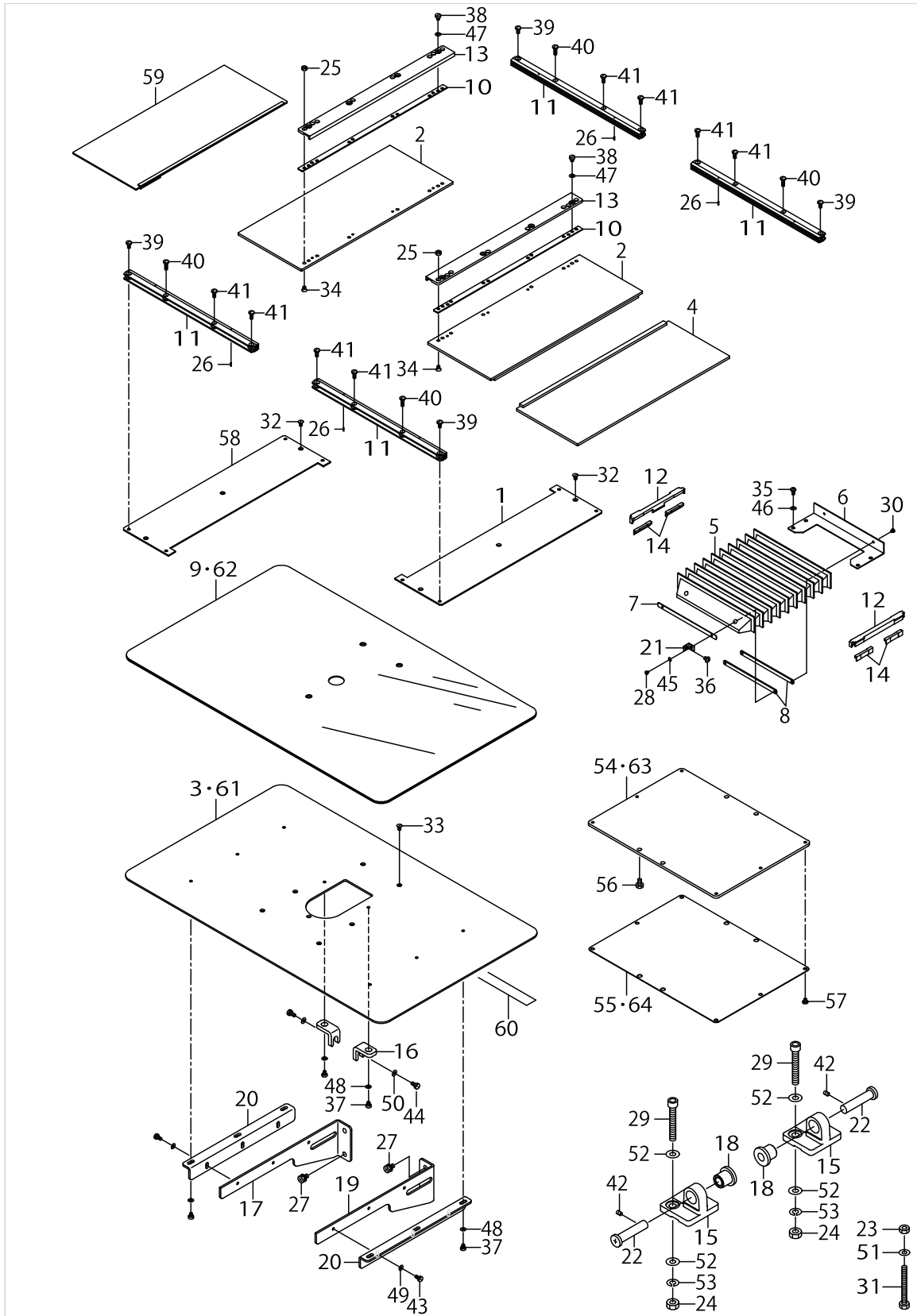
FRAME & MISCELLANEOUS COVER COMPONENTS (1)



FRAME & MISCELLANEOUS COVER COMPONENTS (1)

No.	Parts No.	Parts name	Remarks	Level	Cons	Qty
48	SS7150910TP	SCREW 15/64-28 L=9				4
49	TA0750704R0	RUBBER PLUG				1
50	TA0750704R0	RUBBER PLUG				1
51	TA0850604R0	RUBBER PLUG				1
52	TA1050504R0	RUBBER PLUG				1
53	TA1250406R0	RUBBER PLUG D=12.5 L=4				1
54	TA1250406R0	RUBBER PLUG D=12.5 L=4				1
55	TA1250406R0	RUBBER PLUG D=12.5 L=4				1
56	TA1850805R0	PLUG				1
57	TA1850805R0	PLUG				1
58	TA2100904R0	RUBBER PLUG				1
59	10502300	THREAD CUTTER				1
60	14113468	BOBBIN THREAD TENSION ASM.				1
61	14113450	BOBBIN THREAD TENSION ROD ASM.		*		1
62	B3126012000	THREAD TENSION DISK		*		2
63	D7133555B00	CONNECTING ROD SPRING		*		1
64	11072402	THREAD TENSION NUT		*		1
65	NS6110310SP	NUT 11/64-40		*		1
66	B3204210DB0	BOBBIN WINDER ASM.				1
67	B3204210DA0	BOBBIN WINDER SHAFT COMPL.		*		1
68	22537658	BOBBIN FITTING BASIS COMPL.		*		1
69	22538409	ADJUSTING PLATE		*		1
70	10618304	VERTICAL ROLLER WASHER		*		2
71	RE0500000K0	E-RING		*		1
72	B152989000CA	PRESSUR FOOT SPRING		*		1
73	B3205210000	CUSHION		*		1
74	22538151	BOBBIN CAM SHAFT COMPL.		*		1
75	B1148555000	SPRING		*		1
76	A321600100A	RUBBER RING		*		1
77	B3212761000	LATCH SPRING		*		1
78	SS8110422TP	SCREW 11/64-40 L=4		*		1
79	22538300	BOBBIN LEVER		*		1
80	RO092270200	RUBBER RING		*		1
81	RC0560711KP	RETAINING RING		*		1
82	SS6090620SP	SCREW 9/64-40 L=6				1
83	SS6111140SP	SCREW 11/64-40 L=11				3
84	13551254	SAFETY PLATE ASM.				1
85	B1143210000	LABEL	FOR JE			1
86	CM300200002	CAUTION LABEL(25)	FOR JE			1
87	CM3002000B2	LABEL(25).	FOR JAPAN			1
88	CM300200301	SAFETY LABEL, 5(SMALL).	FOR JAPAN			1
89	CM3002003A1	SAFETY LABEL.,6 (SMALL).	FOR EXPORT			1
90	CM500100001	CE MARKING LABEL	FOR JE			1
91	13530209	LUBRICATING OIL WICK STOPPER				1
92	SL4040891SC	SCREW M4 L=8				1

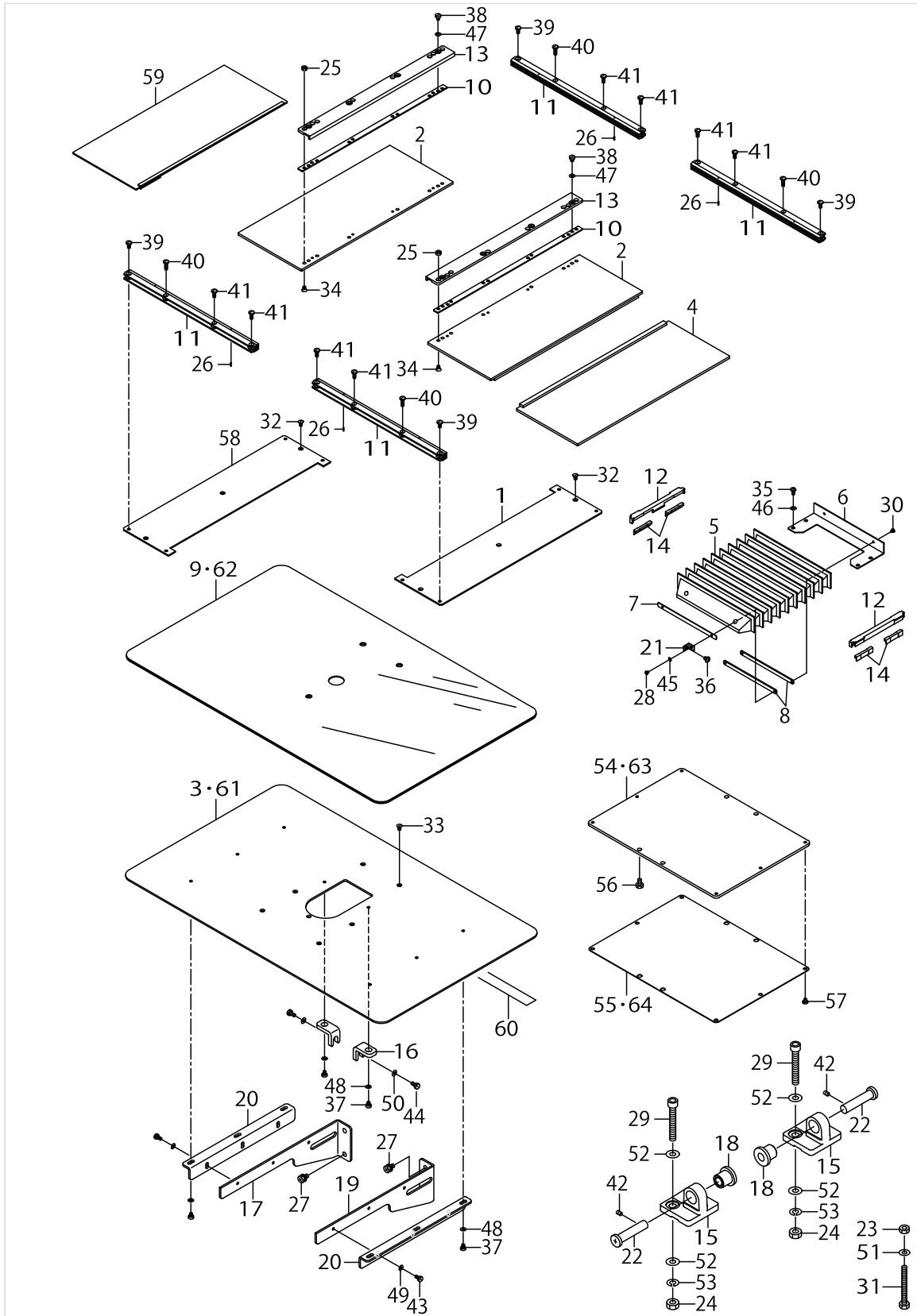
FRAME & MISCELLANEOUS COVER COMPONENTS (2)



FRAME & MISCELLANEOUS COVER COMPONENTS (2)

No.	Parts No.	Parts name	Remarks	Level	Cons	Qty
1	B1108221D00	FEED BASE COVER				1
2	B1110221DA0	X FEED UPPER COVER ASM.				2
3	B1112221D00	NEEDLE PLATE SUPPORT COVER	FOR 221D			1
4	B1118221DA0	X FEED LOWER COVER ASM.				1
5	B1153221D00	FEED COVER				1
6	B1154221D00	FEED COVER STAY				1
7	B1155221D00	FEED COVER FIX PLATE				1
8	B1156221D00	FEED COVER FIX PLATE,B				2
9	B1170221D00	NEEDLE PLATE COVER SHEET	FOR 221D			1
10	B1180221D00	FEED COVER RAIL STOPPER PLATE				2
11	B1181221D00	FEED BASE SUPPORT COVER RAIL X				4
12	B1182221D00	Y GUIDE RAIL BRACKET				2
13	B1183221D00	FEED BASE SUPPORT COVER RAIL Y				2
14	B1193221D00	Y GUIDE RAIL BUSH				4
15	B1111215000	BED HINGE				2
16	B1113223C00	COVER SUPPORTER				2
17	B1113224000	AUXILIARY COVER SUPPORT RIGHT				1
18	B1115215000	BED HINGE RUBBER PAD				2
19	B1121224000	AUXILIARY COVER SUPPORT LEFT				1
20	B1132223C00	COVER BASE				2
21	B1157215000	MOVEMENT COVER PLATE				2
22	B2529232000	FEED ACROSS REGULATOR SHAFT				2
23	NM6080001SC	NUT M8X1.25				1
24	NM6100001SC	NUT M10X1.5				4
25	NS6110310SP	NUT 11/64-40				8
26	PS0150065KP	SPRING PIN 1.5X6				4
27	SL9061291SE	WASHER HEXAGONAL BOLT M6 L=12				4
28	SM4030401SC	SCREW M3X0.5 L=4				2
29	SM6107002TP	SCREW M10 L=70				4
30	SM7030450SC	SCREW M3X0.5 L=4				2
31	SM9087523SE	HEAXGON BOLT				1
32	SS1110840SP	SCREW 11/64-40 L=8				6
33	SS1110840SP	SCREW 11/64-40 L=8				2
34	SS2110710TP	SCREW 11/64-40 L=7				8
35	SS4110915SP	SCREW 11/64-40 L=9				4
36	SS4120615SP	SCREW 3/16-28 L=6				2
37	SS6110610TP	SCREW 11/64-40 L=6				8
38	SS6110610TP	SCREW 11/64-40 L=6				8
39	SS7110910TP	SCREW 11/64-40 L= 8.5				4
40	SS7111410TP	SCREW 11/64-40 L=14				4
41	SS7111120TP	SCREW				8
42	SS8150822TP	SCREW 15/64-28 L=8				2
43	SS9110920CP	SCREW 11/64-40 L=9				6
44	SS9121010TP	SCREW				2
45	WP0330501SB	WASHER M3				2
46	WP0450801SD	WASHER 4.5X10X0.8				4
47	WP0450801SD	WASHER 4.5X10X0.8				8

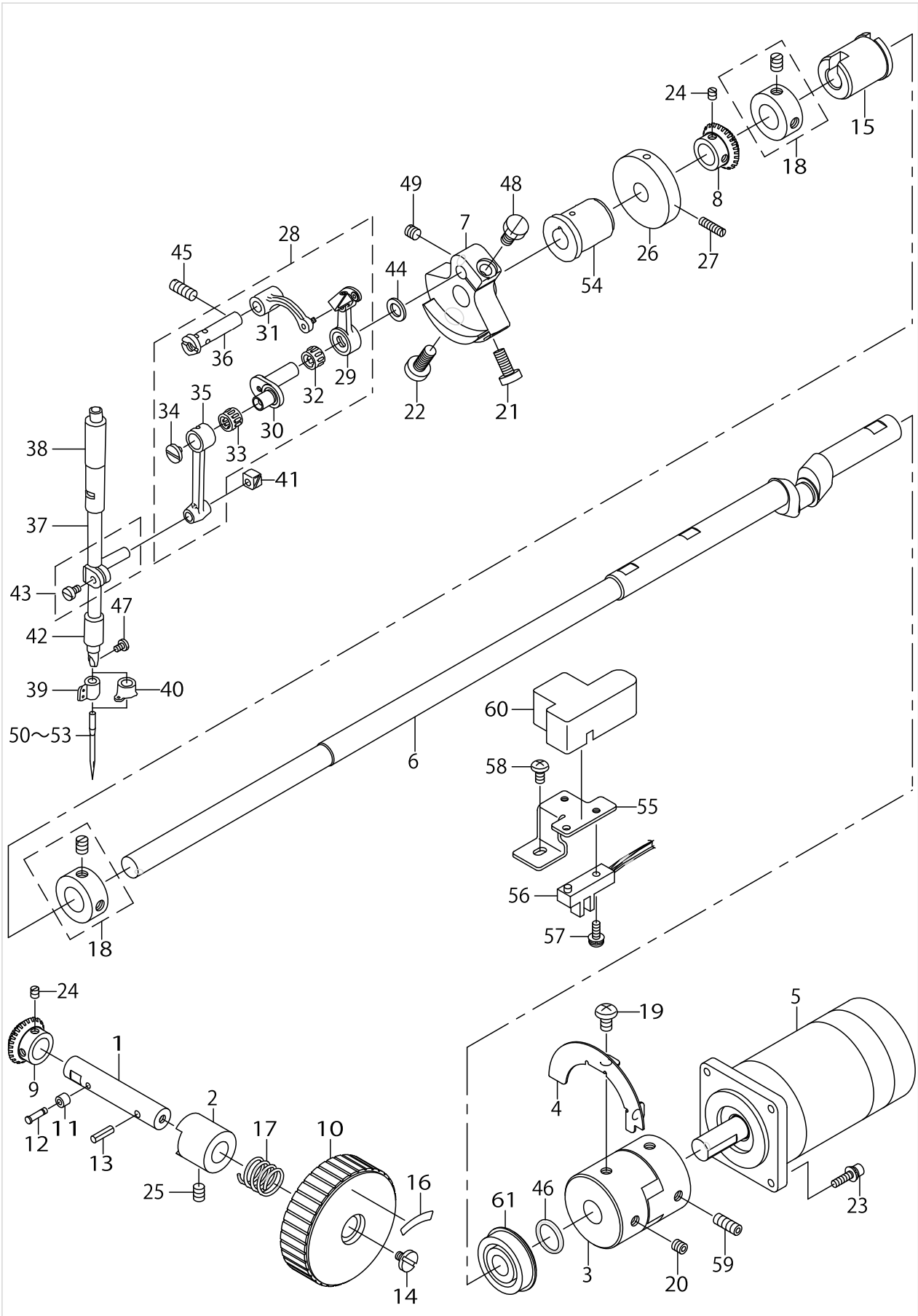
FRAME & MISCELLANEOUS COVER COMPONENTS (2)



FRAME & MISCELLANEOUS COVER COMPONENTS (2)

No.	Parts No.	Parts name	Remarks	Level	Cons	Qty
48	WP0520656SA	WASHER 5.2X9.5X0.6				8
49	WP0520656SA	WASHER 5.2X9.5X0.6				6
50	WP0520656SA	WASHER 5.2X9.5X0.6				2
51	WP0851846SC	WASHER 8.5X22.0X1.8				1
52	WP1052001SC	WASHER 10.5X21X2				8
53	WS1020002KN	SPRING WASHER M10				4
54	B1502221D00	PRESSER PLATE	FOR 221D			1
55	B1504221D00	PRESSER PLATE SHEET	FOR 221D			1
56	SM9061003CP	SCREW M6 L=10				4
57	SS7110570SP	SCREW 11/64-40 L= 4.8				6
58	B1108221D0A	FEED BASE COVER				1
59	B1118221DAA	X FEED LOWER COVER ASM.,LEFT				1
60	B1185221D00	TAPE				1
61	B1112215000	NEEDLE PLATE AUXILIARY COVER	FOR 215D			1
62	B1170215000	AUXILIARY COVER SHEET	FOR 215D			1
63	B1502215D00	PRESSER PLATE	FOR 215D			1
64	B1504215D00	PRESSER PLATE SHEET	FOR 215D			1

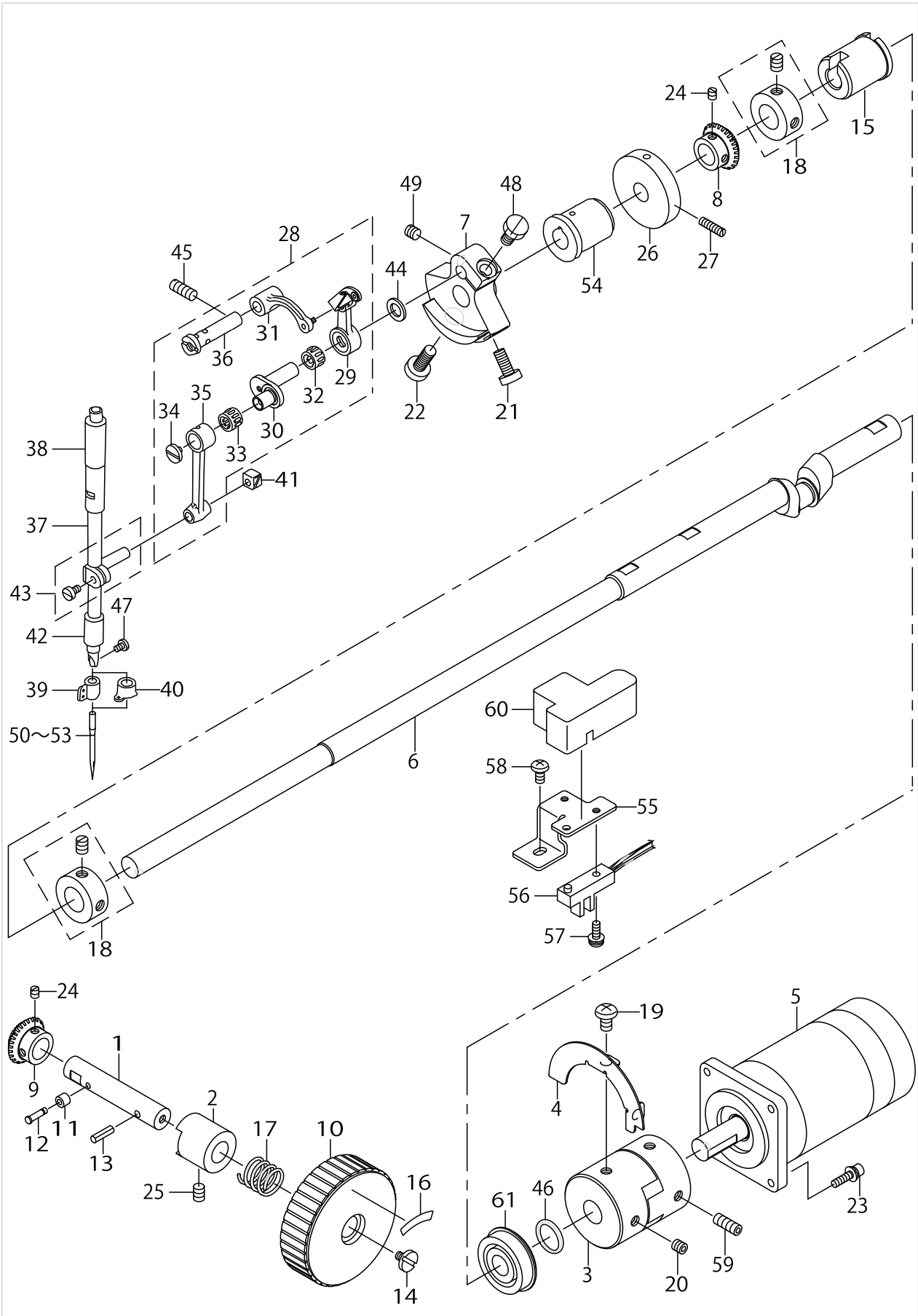
MAIN SHAFT & NEEDLE BAR COMPONENTS



MAIM SHAFT & NEEDLE BAR COMPONENTS

No.	Parts No.	Parts name	Remarks	Level	Cons	Qty
1	B1213210D00	PULLEY SHAFT				1
2	B1214210D00	PULLEY BUSHING				1
3	B1231210D00	COUPLING				1
4	B1232210D00	MAIN SHAFT SLIT PLATE				1
5	B1230210D00	MAIN MOTOR				1
6	B1201221D00	MAIN SHAFT				1
7	B1206210D00	COUNTER WEIGHT				1
8	B1215210D00	PULLEY GEAR,A				1
9	B1216210D00	PULLEY GEAR,B				1
10	B1212210D00	PULLEY				1
11	11217213	ROLLER				1
12	11217114	ROLLER SHAFT				1
13	PS0400142KH	SPRING PIN 4X14				1
14	A1230500000A	HANDWHEEL SETSCREW				1
15	B1203215000	BUSHING INNER				1
16	B1144210000	REVOLVING DIRECTION LABEL				1
17	GAF01007000	SPRING				1
18	CS147121ASH	THRUST COLLAR ASM.D=14.72 W=12				2
19	SL4061091SC	SCREW				2
20	SM8060612TP	SCREW M6 L=6				2
21	SS6151412TP	SCREW 15/64-28 L=14				1
22	SS6681712TP	SCREW 9/32-28 L=16.5				1
23	SL6041692TN	SCREW				4
24	SS8110510SP	SCREW 11/64-40 L=5				4
25	SM8060812TP	SCREW M6 L=8				1
26	B3213205000	BOBBIN WINDER DRIVING WHEEL				1
27	SS8111610SP	SCREW 11/64-40 L=15.5				2
28	B1901210DC0	LINK THREAD TAKE-UP				1
29	B1901210DA0	THREAD TAKE-UP LEVER COMPL.		*		1
30	B1407210D00	NEEDLE BAR CRANK		*		1
31	B1903210000	THREAD TAKE-UP CRANK		*		1
32	B1905541000	NEEDLE BUSHING		*		1
33	B1411804000	NEEDLE DRIVING LEVER BEARING		*		1
34	B1903552000	LEFT SCREW		*		1
35	B1404280000	NEEDLE BAR CRANK ROD		*		1
36	B1904280000	BALANCE CRANK PIN		*		1
37	B1401210A00	NEEDLE BAR				1
38	B1402280000	NEEDLE ROD METAL				1
39	B1405210000	THREAD GUIDE A	FOR2△△DSS,DSL			1
40	B1406210000	THREAD GUIDE	FOR2△△DHS,DHL			1
41	B1414232000	SQUARE BLOCK				1
42	B1403280000	NEEDLE ROD LOWER METAL				1
43	B14115520A0	NEEDLE BAR CONNECTING ASM.				1
44	B1223771000	NEEDLE ROD CRANK WASHER				1
45	SS8151550SP	SCREW 15/64-28 L=15				1
46	RO137230100	RUBBER RING				1
47	SS7080510TP	SCREW 1/8-44 L=4.5				1

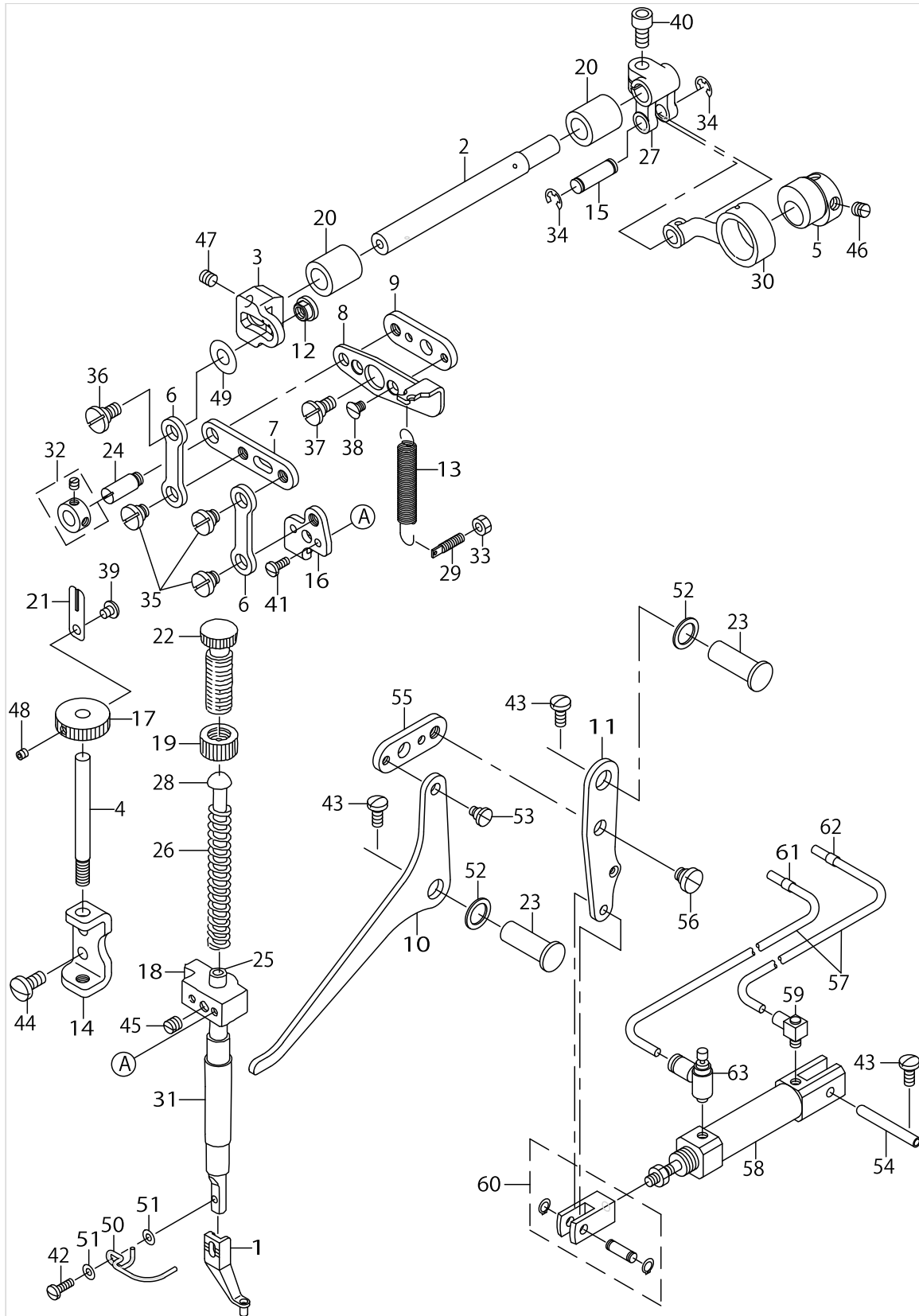
MAIN SHAFT & NEEDLE BAR COMPONENTS



MAIM SHAFT & NEEDLE BAR COMPONENTS

No.	Parts No.	Parts name	Remarks	Level	Cons	Qty
48	SS9661230CP	SCREW 1/4-40 L=12				1
49	SS8660610TP	SCREW 1/4-40 L=6				1
50	MDP500B1400	NEEDLE DPX5 #14	FOR2△△DSS,DSL			1
51	MDP170B1800	NEEDLE DPX17 #18	FOR2△△DHS,DHL			1
52	MC200501000	NEEDLE #100	FOR2△△DSS,DSL			1
53	MC372001100	NEEDLE 135X17 #110	FOR2△△DHS,DHL			1
54	B1202210000	BUSHING, FRONT				1
55	B4001221D00	MAIN SHAFT SENSOR FIX BASE				1
56	HD001930000	PHOTO INTERRUPTER				1
57	SL4041291SC	SCREW M4 L=12				1
58	SS4120915SP	SCREW 3/16-28 L=9				1
59	SM8061612TP	SCREW M6X16				2
60	14114508	MAIN SHAFT SENSOR COVER				1
61	G1216870000	UPPER SHAFT REAR BEARING				1

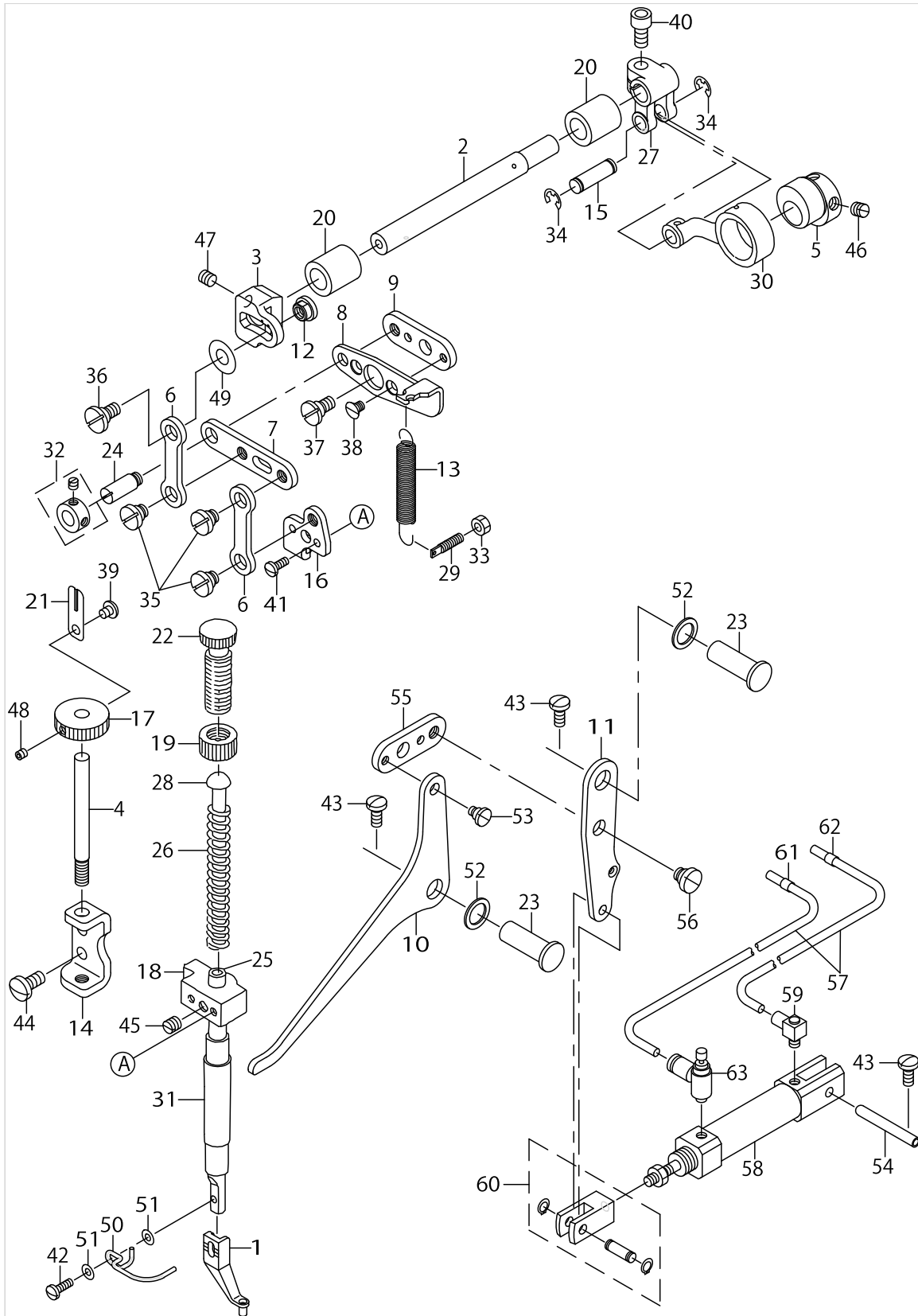
PRESSER MECHANISM COMPONENTS



PRESSER MECHANISM COMPONENTS

No.	Parts No.	Parts name	Remarks	Level	Cons	Qty
1	B1601210D00A	INTERMEDIATE PRESSER A				1
2	B1604221D00	INTERMEDIATE PRESSER SHAFT				1
3	B1603210D00	ADJUSTING ARM				1
4	B1630210D00	ADJUSTING SHAFT				1
5	B1609210D00	ECCENTRIC CAM				1
6	B1612210D00	INTERMEDIATE PRESSER LINK,A				2
7	B1610210D00	INTERMEDIATE PRESSER LINK,B				1
8	B1606210D00	POSITIONING LINK A				1
9	B1607210D00	POSITIONING LINK B				1
10	B1620221D00	LIFTING LINK A				1
11	B1622221D00	LIFTING LINK C				1
12	B1633210D00	ADJUSTING NUT				1
13	B1642210D00	INTERMEDIATE PRESSER SPRING B				1
14	B1632210D00	ADJUSTING SHAFT BRACKET				1
15	B1627210D00	ROD CONNECTING SHAFT				1
16	B1611210D00	LINK CONNECTING PLATE				1
17	B1631210D00	HEIGHT ADJUSTING KNOB				1
18	11006004	PRESSER BAR GUIDE BRACKET				1
19	11071701	NUT				1
20	11847308	BUSHING, REAR				2
21	13717707	ROCKING ADJUSTING SCREW STOPPE				1
22	11071602	PRESSER SPRING REGULATOR				1
23	B1641562000	FEED REGULATING ARM SHAFT				2
24	B1408180000	HINGE SCREW				1
25	B1501127000	PRESSER BAR				1
26	B161121000A	INNER PRESSER SPRING.				1
27	12284303	FORKED LINK				1
28	B1629224000	PRESSER GUIDE BAR				1
29	B1649161000	TENSION SPRING ADJUSTING SCREW				1
30	B2102816000A	CHAIN LOOPER ROD (22MM)				1
31	D1510491D00	BUSHING, LOWER				1
32	CS079073ASH	THRUST COLLAR ASM.				1
33	NS6110310SP	NUT 11/64-40				1
34	RE0500000K0	E-RING				2
35	SD0800331TH	HINGE SCREW D=8 H=3.25				3
36	SD0800402TP	HINGE SCREW D= 8 H= 4				1
37	SD0790402TP	HINGE SCREW D= 7.94 H= 4				1
38	SS1110640TP	SCREW 11/64-40 L= 5.5				2
39	SS6110610TP	SCREW 11/64-40 L=6				1
40	SM6061202TP	SCREW M6 L=12				1
41	SS7090910SP	SCREW 9/64-40 L= 8.5				2
42	SS7091110SP	SCREW 9/64-40 L=10.5				1
43	SS7121110SP	SCREW 3/16-28 L=10.5				3
44	SS7151210SP	SCREW 15/64-28 L=12				2
45	SS8660610TP	SCREW 1/4-40 L=6				1
46	SS8660610TP	SCREW 1/4-40 L=6				2
47	SM8060602TP	SCREW M6X6				1

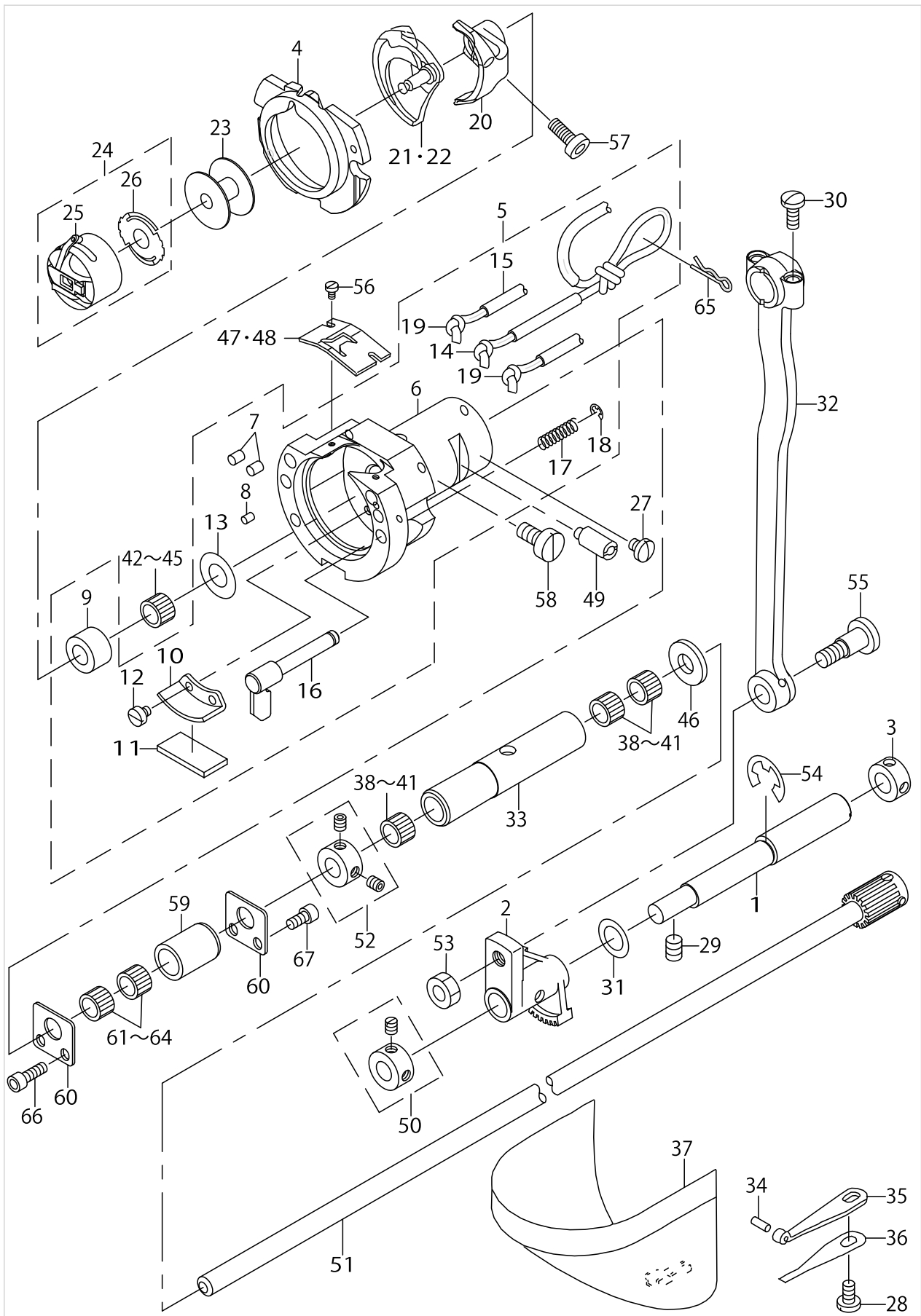
PRESSER MECHANISM COMPONENTS



PRESSER MECHANISM COMPONENTS

No.	Parts No.	Parts name	Remarks	Level	Cons	Qty
48	SM8040412TP	SET SCREW M3X3				1
49	WP0611626SP	WASHER 15X6X1.6				1
50	B1634210D00	FINGER GUARD				1
51	WP0430800SC	WASHER M4				2
52	13515200	THREAD CUTTING LINK WASHER				2
53	SD0600341TP	HINGE SCREW D=6.0 H=3.4				1
54	B1527581000A	THREAD RELEASE PIN				1
55	B1607210D00	POSITIONING LINK B				1
56	SD0800341SP	HINGE SCREW D=8 H=3.4				1
57	BT0400251EB	URETHANE HOSE, BLACK				1.5
58	PA1603003A0	INTERMEDIATE PRESSER CYLINDER				1
59	PJ046052503	HOSE ELBOW				1
60	PX500020000	KNUCKLE JOINT				1
61	B471122000A	AIR TUBE LABEL J01				1
62	B471122000B	AIR TUBE LABEL J02				1
63	PC010508000	SPEED CONTROLLER				1

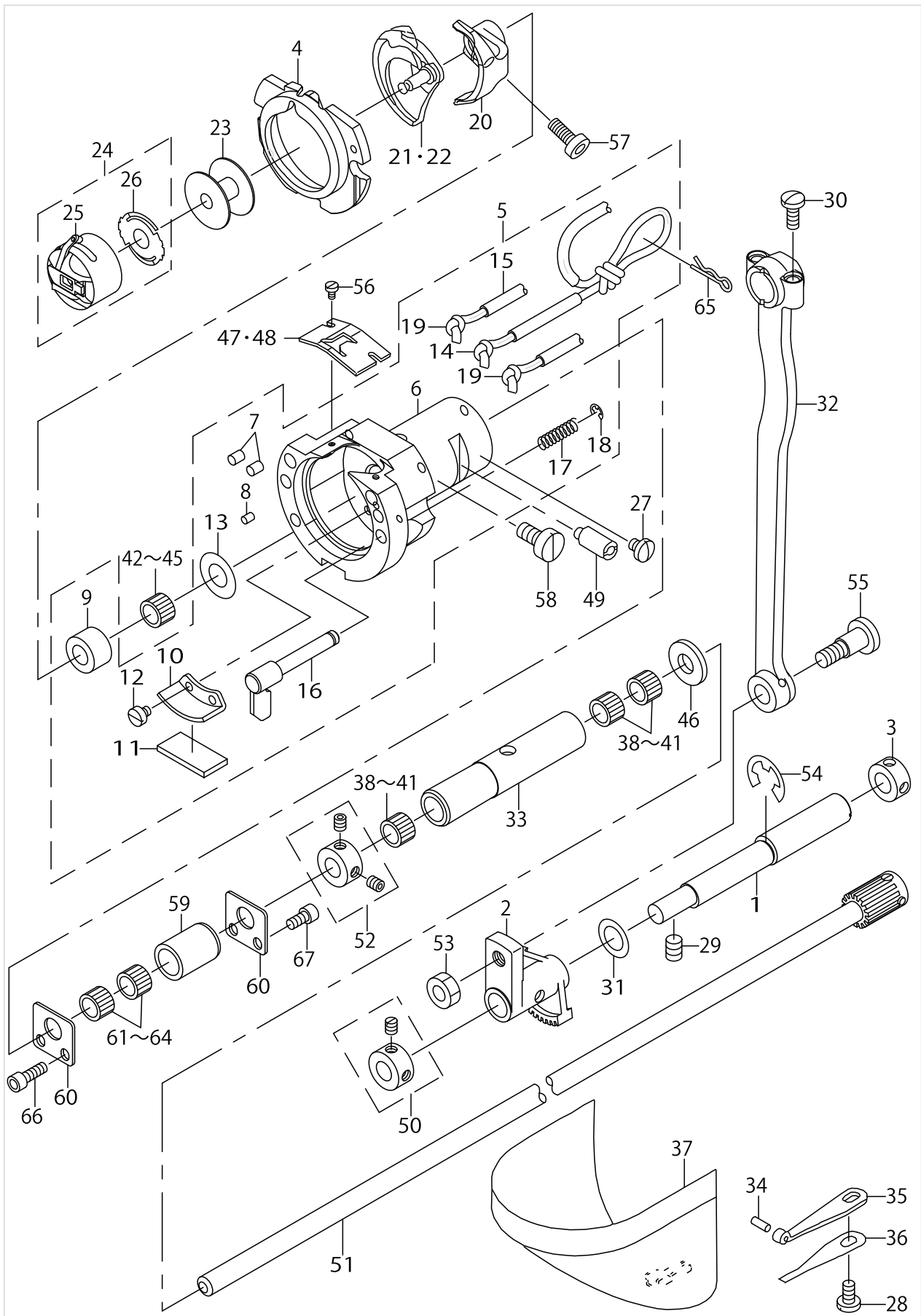
SHUTTLE DRIVER SHAFT COMPONENTS



SHUTTLE DRIVER SHAFT COMPONENTS

No.	Parts No.	Parts name	Remarks	Level	Cons	Qty
1	B1836210D00	OSCILLATING ECCENTRIC SHAFT				1
2	B1805210D00	OSCILLATOR				1
3	CS1201010SH	THRUST COLLAR ASM. D=12 W=10				1
4	B1817210DAB	SHUTTLE RACE RING COMPL.,B				1
5	B1814221DA0	SHUTTLE ASM.				1
6	B1814210D00	SHUTTLE		*		1
7	B1820210D00	SHUTTLE OIL FELT,A		*		2
8	B1821210D00	SHUTTLE OIL FELT,B		*		1
9	B1813980000	SHUTTLE NEEDLE OUTER RING		*		1
10	B3505280000	SHUTTLE LUBRICATING PLATE		*		1
11	B3504280000	SHUTTLE FELT		*		1
12	SS6090440SP	SCREW 9/64-40 L= 4.0		*		2
13	WP0952616SD	WASHER 9.5X14.8X2.6		*		1
14	CQ200000000	OIL WICK		*		0.9
15	BP300000000	VINYL PIPE		*		2.12
16	B1820215PA0A	INNER HOOK PRESSER ASM.		*		2
17	B1822215P00	INNER HOOK PRESSER SPRING		*		2
18	RE0300000K0	E-RING 3		*		2
19	CQ252200000	OIL WICK		*		1.84
20	B1812210D00	SHUTTLE DRIVER				1
21	B1818210D0A	SHUTTLE	FOR2△△DSS,DSL			1
22	B1818210D0B	SHUTTLE,H	FOR2△△DHS,DHL			1
23	B1806210D00	BOBBIN				1
24	B1828210DAA	BOBBIN CASE ASM.				1
25	B1828210D0A	BOBBIN CASE		*		1
26	B1808210D00	SPRING		*		1
27	SS7110510SP	SCREW 11/64-40 L=5				1
28	SS7110840SP	SCREW 11/64-40 L=7.8				1
29	SS8150822TP	SCREW 15/64-28 L=8				2
30	SS7111110TP	SCREW 11/64-40 L=10.5				2
31	10523504	WASHER				1
32	B1802210D00	CRANK ROD				1
33	B1846221D00	LOWER SHAFT REAR METAL				1
34	13508700	HOOK COVER PRESSER SPRING PIN				1
35	13508809	HOOK COVER PRESSER SPRING A				1
36	13508908	HOOK COVER PRESSER SPRING B				1
37	13816855	CYLINDER ARM CAP				1
38	B1411804A00	BEARING (A)	SELECTIVE PART			3
39	B1411804B00	NEEDLE DRIVING LEVER BEARING B	SELECTIVE PART			3
40	B1411804C00	NEEDLE DRIVING LEVER BEARING C	SELECTIVE PART			3
41	B1411804D00	BEARING (D)	SELECTIVE PART			3
42	B1411804A00	BEARING (A)	SELECTIVE PART			1
43	B1411804B00	NEEDLE DRIVING LEVER BEARING B	SELECTIVE PART			1
44	B1411804C00	NEEDLE DRIVING LEVER BEARING C	SELECTIVE PART			1
45	B1411804D00	BEARING (D)	SELECTIVE PART			1
46	B2529352000	PROTECTION PLATE				1
47	B1815980000	SHUTTLE UPPER SPRING	FOR2△△DSS,DSL			1

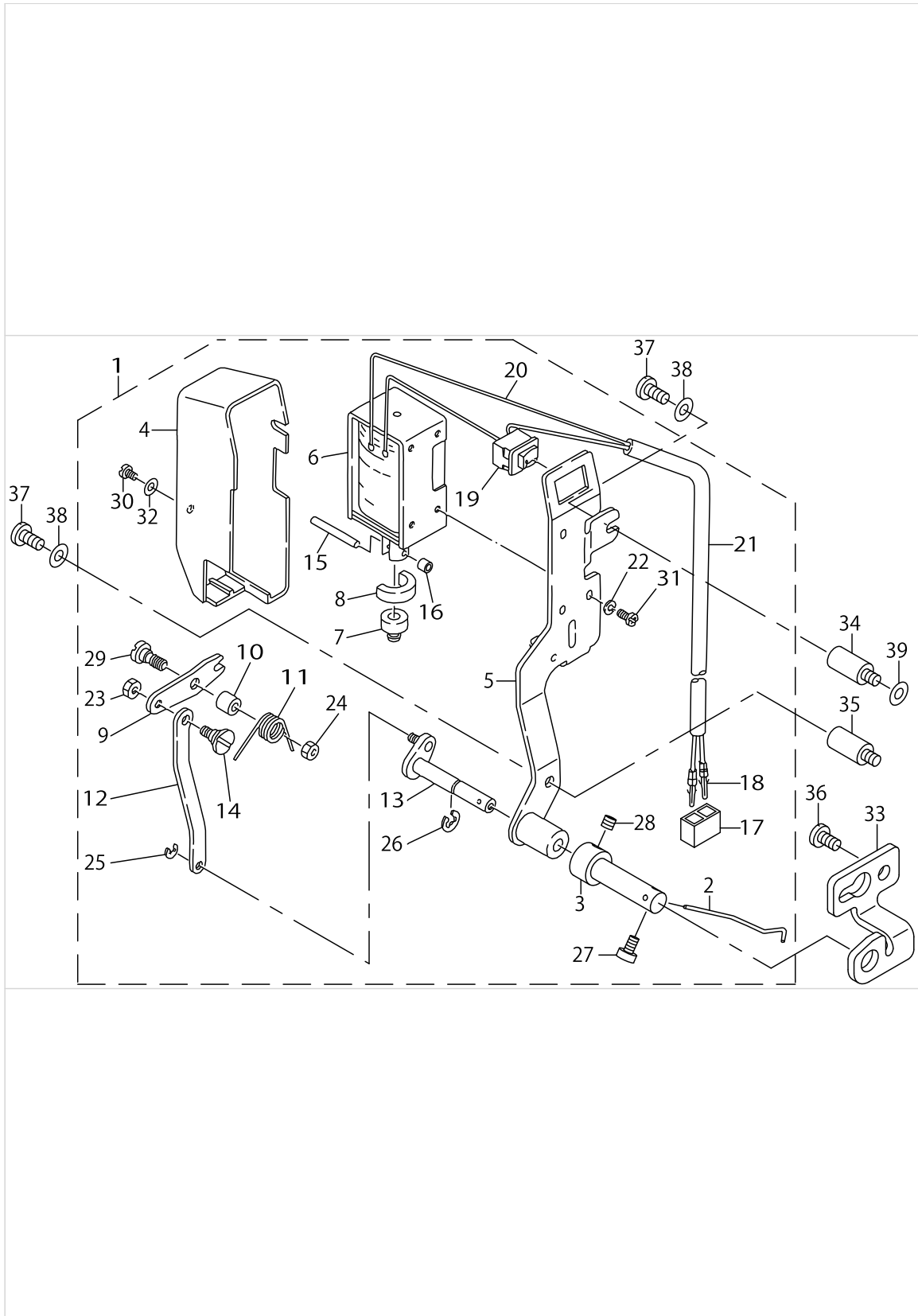
SHUTTLE DRIVER SHAFT COMPONENTS



SHUTTLE DRIVER SHAFT COMPONENTS

No.	Parts No.	Parts name	Remarks	Level	Cons	Qty
48	B1815210000	INNER HOOK UPPER SPRING	FOR2△△DHS,DHL			1
49	B1819280000	SHUTTLE RACE ADJUSTING SHAFT				1
50	CS100081CSP	THRUST COLLAR ASM.				1
51	B1811221DA0	SHUTTLE DRIVER SHAFT ASM.				1
52	CS080081CSH	THRUST COLLAR ASM. D=8.0 W=8				1
53	NS6660430SP	NUT 1/4-40				1
54	RE0900000K0	E-RING 9				1
55	SD0801021TP	HINGE SCREW D= 8 H=10.2				1
56	SS6060410TP	SCREW 3/32-56 L= 3.5				2
57	SS6121212TP	SCREW 3/16-28 L=12.0				1
58	SS6151220SP	SCREW 15/64-28 L=11.5				1
59	B1847221D00	LOWER SHAFT MIDDLE METAL				1
60	B1849221D00	LOWER SHAFT NEEDLE SUPPORT				2
61	B1411804A00	BEARING (A)	SELECTIVE PART			2
62	B1411804B00	NEEDLE DRIVING LEVER BEARING B	SELECTIVE PART			2
63	B1411804C00	NEEDLE DRIVING LEVER BEARING C	SELECTIVE PART			2
64	B1411804D00	BEARING (D)	SELECTIVE PART			2
65	B1515210D00	PIN				1
66	SM6041202TP	SCREW M4X0.7 L=12				2
67	SM6040802TP	SCREW M4X0.7 L=8				2

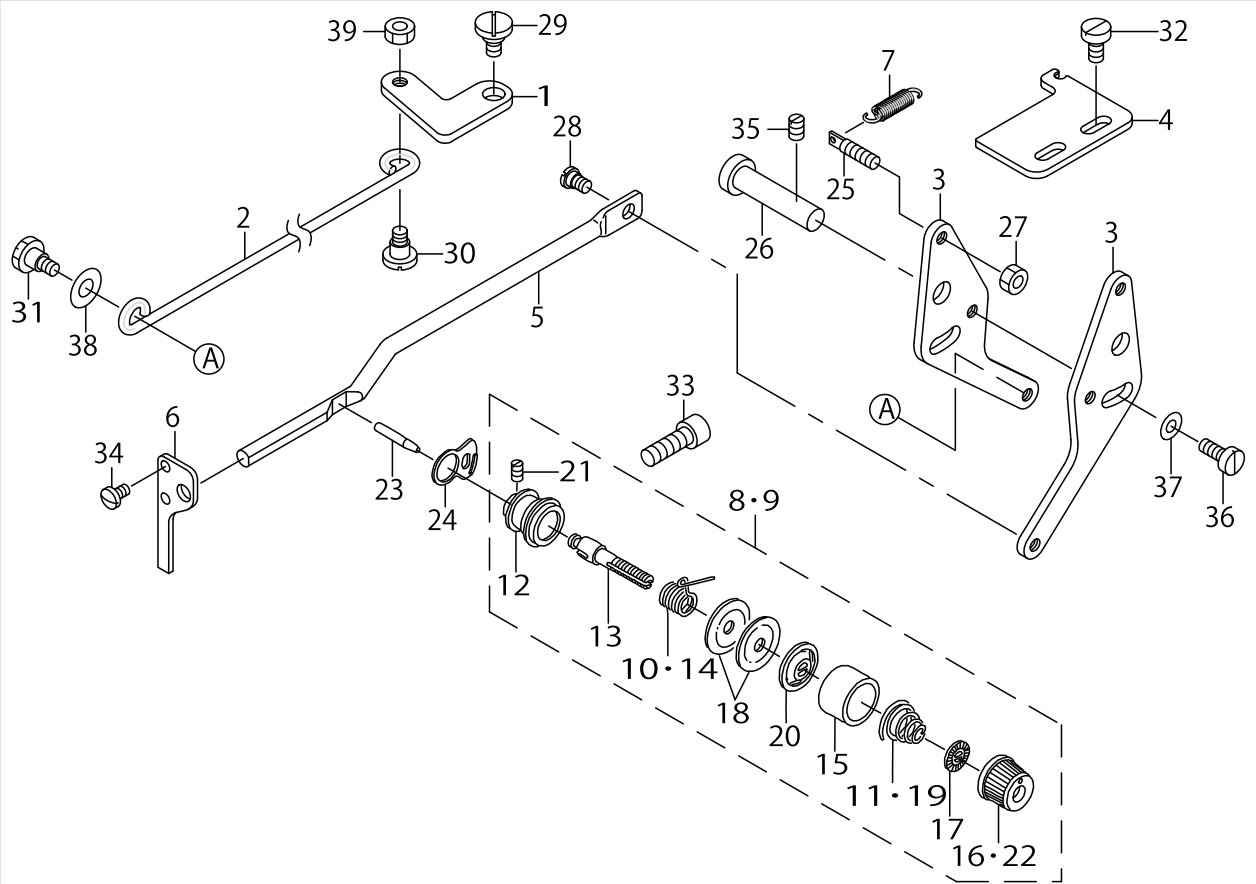
WIPER MECHANISM COMPONENTS



WIPER MECHANISM COMPONENTS

No.	Parts No.	Parts name	Remarks	Level	Cons	Qty
1	B2107210DA0	WIPER ASM.				1
2	B2107210D00	WIPER		*		1
3	B2111210D00	WIPER SHAFT CAP		*		1
4	11072709	WIPER COVER		*		1
5	11110152	WIPER BASE ASM.		*		1
6	11110301	WIPER SOLENOID		*		1
7	11110400	WIPER RUBBER A		*		1
8	11110509	WIPER RUBBER B		*		1
9	11110608	WIPER LINK A		*		1
10	11110707	WIPER HINGE SCREW COLLAR		*		1
11	B2130210D00	WIPER SPRING		*		1
12	11110905	CONNECTING LINK		*		1
13	11111051	WIPER DRIVING SHAFT ASM.		*		1
14	11111507	WIPER LINK B, HINGE SCREW		*		1
15	11112000	WIPER SOLENOID PIN		*		1
16	11111804	WIPER LINK COLLAR		*		1
17	HK034610020	2-POLE NYLON PLUG		*		1
18	HK034640000	PIN CONTACT		*		2
19	HA000590000	POWER SWITCH		*		1
20	HW200390000	ELECTRIC WIRE		*		0.1
21	HW500070000	2-CORE CABTYRE CORD		*		1.2
22	WS0310002KR	SPRING WASHER 3.1X5.9X0.7		*		3
23	NS6090310SP	NUT 9/64-40		*		1
24	NS6110310SP	NUT 11/64-40		*		1
25	RE0250000K0	E-RING 2.5		*		1
26	RE0500000K0	E-RING		*		1
27	SS6090620TP	SCREW		*		1
28	SS8110422TP	SCREW 11/64-40 L=4		*		1
29	SD0650321TP	HINGE SCREW D=6.5 H=3.2		*		1
30	SM4030601SN	SCREW M3 X 6		*		1
31	SM4030601SN	SCREW M3 X 6		*		3
32	WP0320501SC	WASHER M3		*		1
33	B2110210D00	WIPER SHAFT SUPPORT BRACKET				1
34	17700402	FACE COVER JOINT				1
35	B3549850000	LOOPER COVER OIL SHIELD STUD				1
36	SS7110840SP	SCREW 11/64-40 L=7.8				2
37	SS7110910SP	SCREW 11/64-40 L=8.5				2
38	WP0450801SD	WASHER 4.5X10X0.8				2
39	WP0482086SD	WASHER 4.8X11.5X2				1

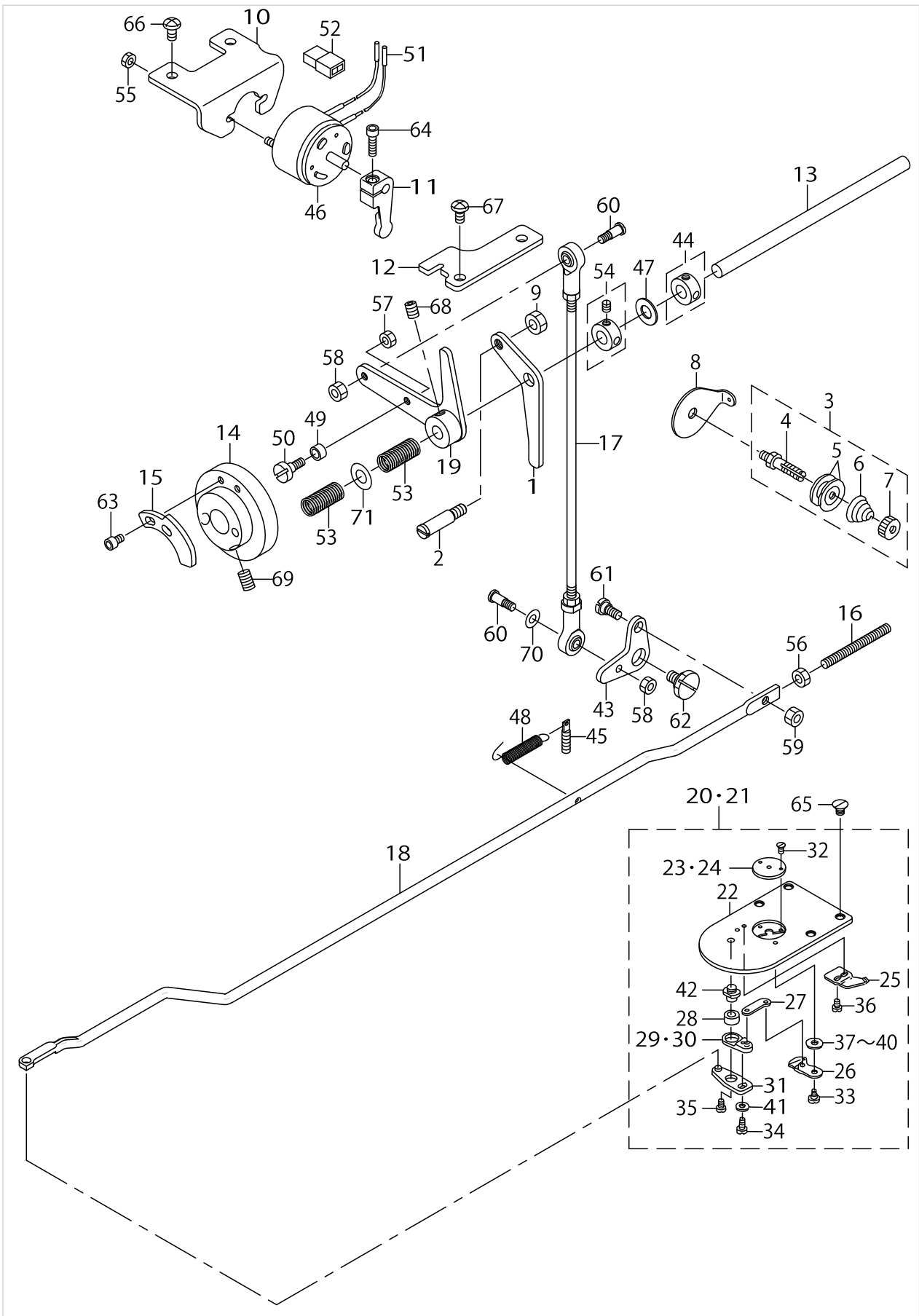
TENSION RELEASE & THREAD TENSION COMPONENTS



TENSION RELEASE & THREAD TENSION COMPONENTS

No.	Parts No.	Parts name	Remarks	Level	Cons	Qty
1	B2304210D00	TENSION RELEASE LINK				1
2	B2308221D00	TENSION RELEASE CONNECTING ROD				1
3	B2306210D00	TENSION RELEASE ADJUSTING ARM				2
4	B2315210D00	STOPPER PLATE				1
5	13513205	TENSION RELEASE BAR				1
6	13513304	THREAD TENSION ARM				1
7	13716808	SPRING				1
8	B23022800A0	SECOND THREAD TENSION ASM.	FOR2△△DSS,DSL			1
9	B23022050AA	SECOND THREAD TENSION.	FOR2△△DHS,DHL			1
10	D3112L4BB00	TAKE-UP SPRING (HEAVY)	FOR2△△DHS,DHL	*		1
11	B2305205000	TENSION SPRING	FOR2△△DHS,DHL	*		1
12	B2313280000	THREAD TENSION ROD, LARGE		*		1
13	B2302280000	SECOND THREAD TENSION ROD		*		1
14	B3112761000	THREAD TAKE-UP SPRING	FOR2△△DSS,DSL	*		1
15	B3107804000	THREAD TENSION DISK PRESSER	FOR2△△DSS,DSL	*		1
16	B3119771000	THREAD TENSION NUT	FOR2△△DSS,DSL	*		1
17	B3120125000	ROTATING STOPPER		*		1
18	B3126012000	THREAD TENSION DISK		*		2
19	B3114232000	THREAD TENSION SPRING	FOR2△△DSS,DSL	*		1
20	B3132552000	THREAD TENSION DISK PRESSER		*		1
21	SS8090610SP	SCREW 9/64-40 L=5.9		*		1
22	13817408	THREAD TENSION NUT	FOR2△△DHS,DHL	*		1
23	B2303280000	TENSION RELEASE PIN				1
24	B2702210000	GUIDE PLATE				1
25	B1649161000	TENSION SPRING ADJUSTING SCREW				1
26	D2431555B00	THREAD TRIMMER SHAFT				1
27	NS6110310SP	NUT 11/64-40				1
28	SD0530221SP	HINGE SCREW D= 5.3 H= 2.2				1
29	SD0720321TP	HINGE SCREW				1
30	SD0640391TP	HINGE SCREW D= 6.35 H= 3.9				1
31	SD0640482SP	HINGE SCREW D= 6.35 H= 4.8				1
32	SS6120940SP	SCREW 3/16-28 L=9				2
33	SS6151812TP	SCREW 15/64-28 L=18				1
34	SS7090620TP	SCREW 9/64-40 L=6.1				2
35	SS8120740SP	SCREW 3/16-28 L=7				1
36	SS6111140SP	SCREW 11/64-40 L=11				1
37	WP0482086SD	WASHER 4.8X11.5X2				1
38	WP0651056SD	WASHER 6.5X11X1				1
39	NS6120310SP	NUT 3/16-28				1

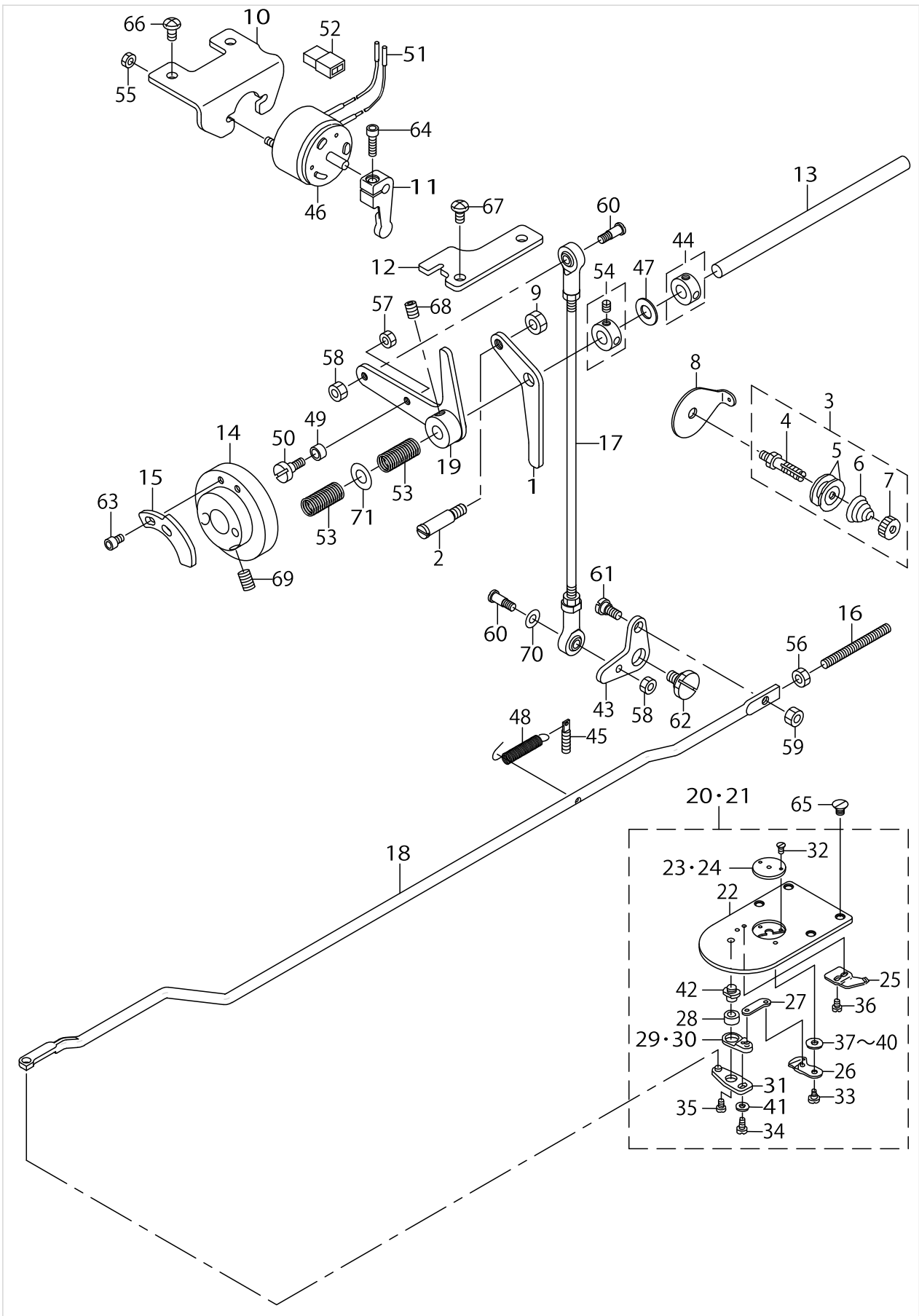
TENSION RELEASE & THREAD TRIMMER MECHANISM COMPONENTS



TENSION RELEASE & THREAD TRIMMER MECHANISM COMPONENTS

No.	Parts No.	Parts name	Remarks	Level	Cons	Qty
1	B2301210D00	TENSION RELEASE ARM				1
2	14107809	TENSION RELEASE ARM PIN				1
3	B11152320A0	FIRST THREAD TENSION ASM.				1
4	B3123352000	THREAD TENSION ROD		*		1
5	B3126012000	THREAD TENSION DISK		*		2
6	B1115232000	FIRST THREAD TENSION SPRING		*		1
7	B3125012000	THREAD TENSION NUT		*		1
8	B3111352000	UPPER LOOPER THREAD GUIDE				1
9	NS6150310SP	NUT 15/64-28				1
10	B2402210D00	MAGNET INSTALLING PLATE				1
11	B2409210D00	THREAD TRIMMER MAGNET ARM				1
12	B2412210D00	CAM INSTALLING LINK STOPPER				1
13	B2408210D00	THREAD TRIMMER SHAFT				1
14	B2401210D00	THREAD TRIMMER CAM				1
15	B2312210D00	TENSION RELEASE NOTCH				1
16	B2440210D00	LINK STOPPER SCREW				1
17	B2407210D00	THREAD TRIMMER CONNECTING ROD				1
18	B2413221D00	THREAD TRIMMER CONNECTING BAR				1
19	B2404210DA0	CAM INSTALLING LINK				1
20	B2425221DAA	NEEDLE PLATE ASM.	FOR2△△DSS,DSL			1
21	B2425221DAB	NEEDLE PLATE ASM.,H TYPE	FOR2△△DHS,DHL			1
22	B2425215000	NEEDLE PLATE		*		1
23	B242621000A	NEEDLE HOLE GUIDE D=1.6	FOR2△△DSS,DSL	*		1
24	B242621000B	NEEDLE HOLE GUIDE D=2.0	FOR2△△DHS,DHL	*		1
25	B2424210000	COUNTER KNIFE		*		1
26	B2421210AA0	MOVING KNIFE COMPL.		*		1
27	B2418280000	MOVING KNIFE LINK		*		1
28	B2416280000	THREAD CUTTING LEVER RING		*		1
29	B24152800A0	THREAD CUTTER LEVER ASM., SMAL	FOR2△△DSS,DSL	*		1
30	B24162100A0	THREAD CUTTER SMALL LEVER ASM.	FOR2△△DHS,DHL	*		1
31	B24142800A0	THREAD CUTTER LEVER ASM., LARG		*		1
32	SS1060210TP	SCREW 3/32-56 L=2.2		*		2
33	B2417210000	MOVING KNIFE HINGE SCREW		*		1
34	SS7110740TP	SCREW 11/64-40 L=7		*		1
35	SS6110430TP	SCREW 11/64-40 L= 4.0		*		1
36	SS7090410SP	SCREW 9/64-40 L= 3.5		*		2
37	B242328000A	MOVING KNIFE WASHER A	SELECTIVE PART	*		1
38	B242328000B	MOVING KNIFE WASHER B	SELECTIVE PART	*		1
39	B242328000C	MOVING KNIFE WASHER C	SELECTIVE PART	*		1
40	B242328000D	MOVING KNIFE WASHER D	SELECTIVE PART	*		1
41	WP0450846SP	WASHER		*		1
42	B2417280000	THREAD CUTTER LEVER SHAFT		*		1
43	B2411210000	THREAD TRIMMER LINK				1
44	CS080081CSH	THRUST COLLAR ASM. D=8.0 W=8				1
45	B1649161000	TENSION SPRING ADJUSTING SCREW				1
46	B2303205000	SOLENOID				1
47	B1116804000	CLOTH PLATE WASHER				1

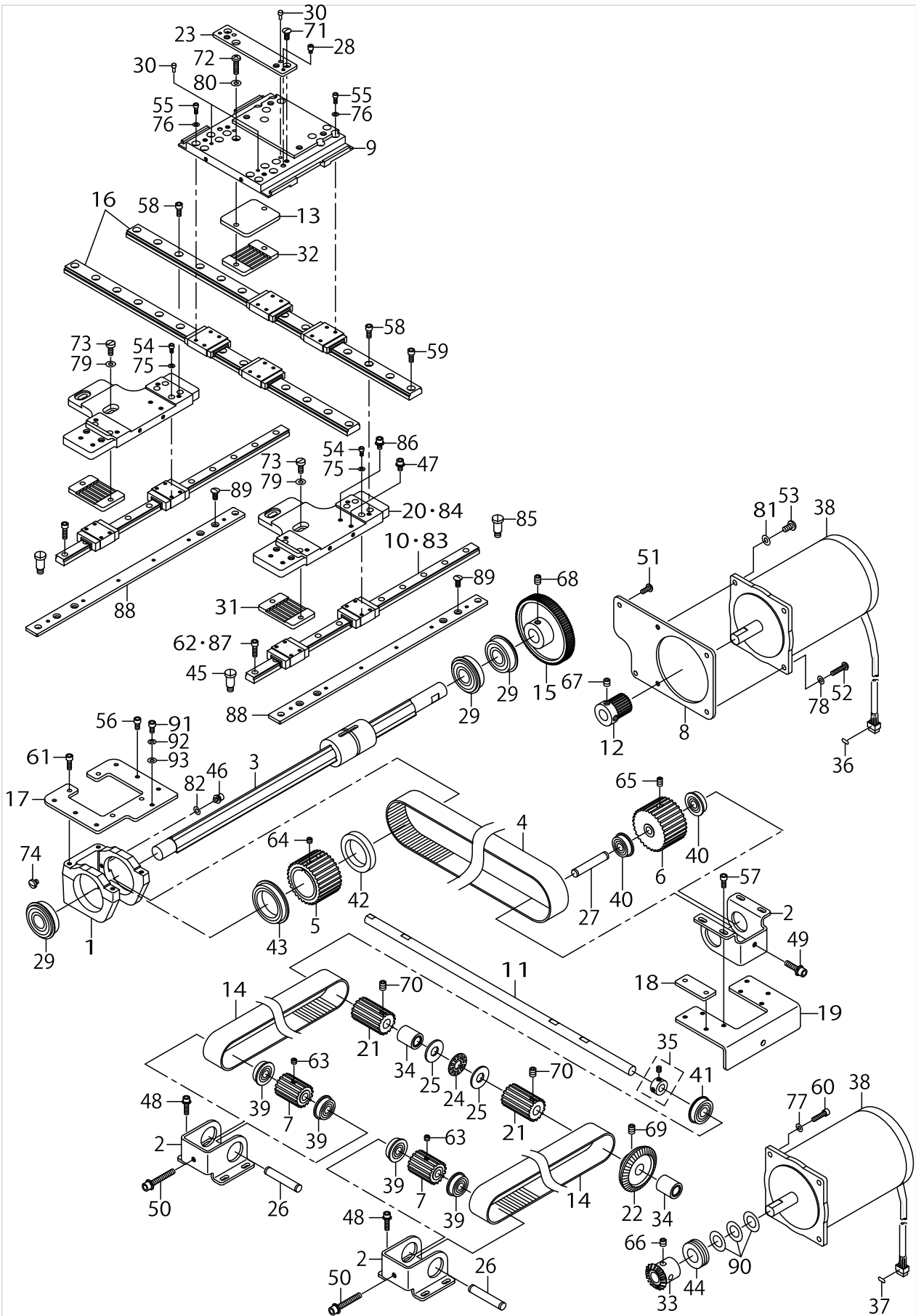
TENSION RELEASE & THREAD TRIMMER MECHANISM COMPONENTS



TENSION RELEASE & THREAD TRIMMER MECHANISM COMPONENTS

No.	Parts No.	Parts name	Remarks	Level	Cons	Qty
48	14109300	THREAD TRIM LINK SPRING				1
49	D2587L8WB00	ROLLER				1
50	D2588L8WB00	ROLLER SHAFT				1
51	HK034630000	TERMINAL				2
52	HK034620020	2P PLUG				1
53	B2617771000	TRIPPING LEVER TENSION SPRING				2
54	CS080081CSH	THRUST COLLAR ASM. D=8.0 W=8				1
55	NM6040003SC	NUT M4				2
56	NM6050001SP	NUT M5				1
57	NS6110420SP	NUT 11/64-40				1
58	NS6110420SP	NUT 11/64-40				2
59	NS6120630SP	NUT 3/16-28				1
60	SD0500803TP	HINGE SCREW D=5 H=8				2
61	SD0650305TP	HINGE SCREW D= 6.5 H= 3				1
62	SD1100301TP	HINGE SCREW H=11 W=3				1
63	SM6040602TP	SCREW M4 L=6				2
64	SM6041402TP	SCREW M4 L=14				1
65	SS1110640TP	SCREW 11/64-40 L= 5.5				4
66	SS4120915SP	SCREW 3/16-28 L=9				2
67	SS4120915SP	SCREW 3/16-28 L=9				2
68	SS8150822TP	SCREW 15/64-28 L=8				1
69	SS8661012TP	SCREW				2
70	WP0501016SD	WASHER 5X10.5X1				1
71	WP0820526SD	WASHER 8.2X14X0.5				1

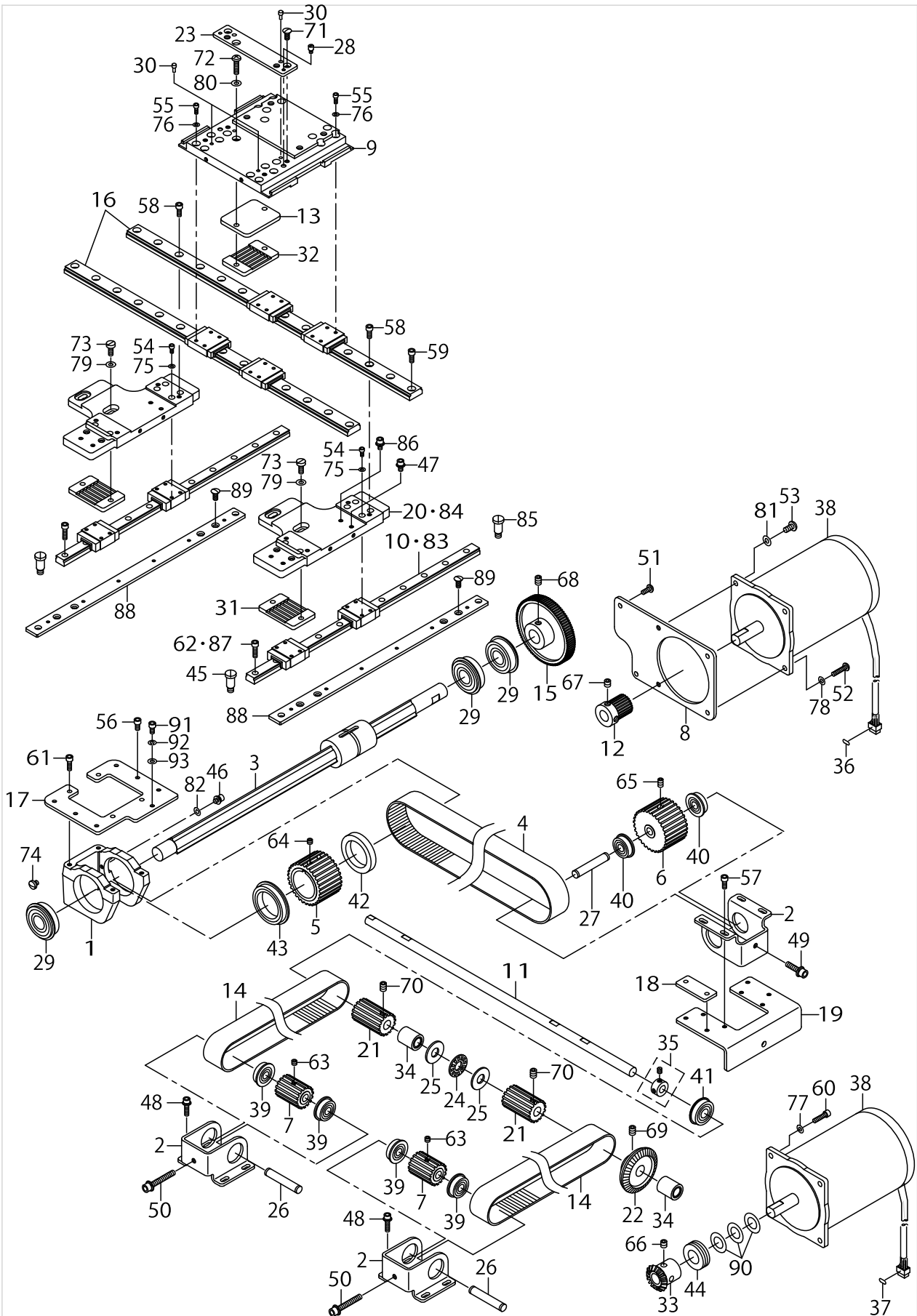
X-Y COMPONENTS



X-Y COMPONENTS

No.	Parts No.	Parts name	Remarks	Level	Cons	Qty
1	B2504221D00	X DRIVE BRACKET				1
2	B2505221D00	DRIVEN BRACKET				3
3	B2506221D00	X DRIVE SPLINE SHAFT				1
4	B2512221D00	X TIMING BELT				1
5	B2513221D00	X DRIVE SPROCKET				1
6	B2514221D00	X DRIVEN SPROCKET				1
7	B2516221D00	Y DRIVEN SPROCKET				2
8	B2517221D00	MOTOR INSTALLING PLATE				1
9	B2519221D00	X FEED BASE				1
10	B2520221D00	Y-LM GUIDE	FOR 221D			2
11	B2523221D00	Y DRIVE SHAFT				1
12	B2525221D00	X DRIVE GEAR				1
13	B2527221D00	X BELT PRESSER FIX PLATE				1
14	B2528221D00	Y TIMING BELT				2
15	B2534221D00	X DRIVEN GEAR				1
16	B2540221D00	X-LM GUIDE				2
17	B2541221D00	X DRIVE BRACKET BASE				1
18	B2542221D00	X DRIVEN BRACKET SPACER				2
19	B2543221D00	X DRIVEN BRACKET BASE				1
20	B2544221D00	Y FEED BASE	FOR 221D			2
21	B2547221D00	Y DRIVE SPROCKET				2
22	B2548221D00	Y DRIVEN GEAR				1
23	B2555221D00	LOWER PLATE INSTALLING PLATE				1
24	11272408	THRUST COLLAR				1
25	16992604	THRUST WASHER				2
26	22687701	SPRING SHAFT				2
27	22687701	SPRING SHAFT				1
28	B151902600G	HINGE STUD				2
29	B1802180000	BUSHING, FRONT				3
30	B1816280000	GUIDE PIN				4
31	B2509224000	BELT RECEIVER				2
32	B2509224000	BELT RECEIVER				1
33	B2526223C00	Y DRIVE WHEEL				1
34	GAT23301000	BEARING A 10				2
35	CS100081CSP	THRUST COLLAR ASM.				1
36	E2650453000	CONNECTOR MARKER J50				1
37	E2651453000	CONNECTOR MARKER J51				1
38	KM000000130	STEPPING MOTOR				2
39	SB108000500	RADIAL BEARING				4
40	SB108000500	RADIAL BEARING				2
41	SB110001300	BEARING				1
42	SB130000200	BEARING				1
43	SB130000300	BEARING				1
44	SB412000100	BEARING				1
45	SD0791271SP	HINGE SCREW D= 7.94 H=12.7				2
46	SL6040642TN	BOLT				1
47	SL6040892TN	BOLT	FOR 221D			1

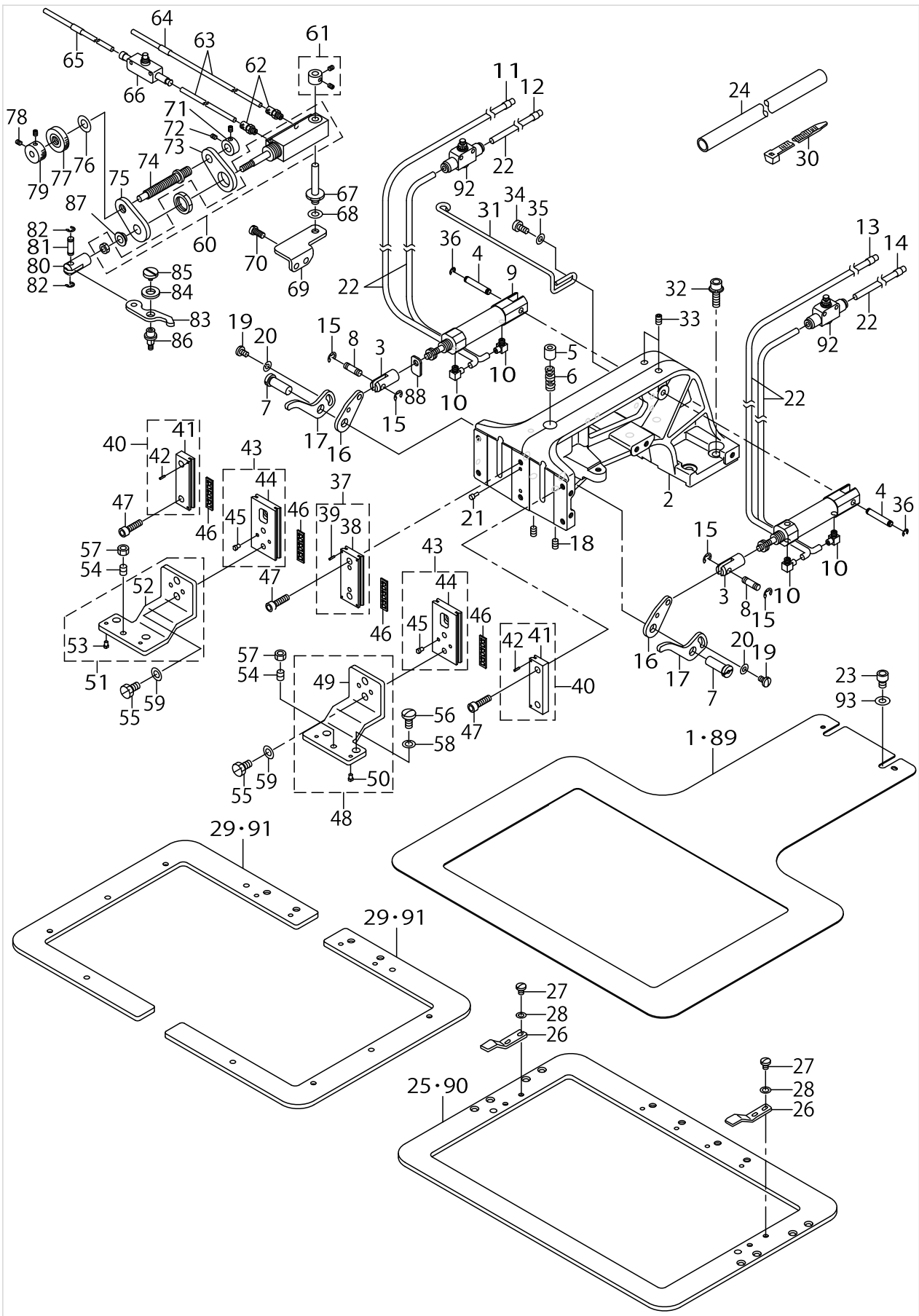
X-Y COMPONENTS



X-Y COMPONENTS

No.	Parts No.	Parts name	Remarks	Level	Cons	Qty
48	SL6041692TN	SCREW				8
49	SL6052092TN	SCREW				1
50	SL6053592TN	BOLT				2
51	SM4041055SP	SCREW				2
52	SM4041801SN	SCREW M4X0.7 L=18				2
53	SM4051055SP	SCREW				2
54	SM6030602TP	SCREW M3X0.5 L=6				16
55	SM6030802TP	SCREW M3X0.5 L=8				16
56	SM6040802TP	SCREW M4X0.7 L=8				4
57	SM6041002TP	SCREW M4 L=10				4
58	SM6041002TP	SCREW M4 L=10				8
59	SM6041002TP	SCREW M4 L=10				4
60	SM6041602TP	SCREW M4X0.7 L=16				4
61	SM6041202TP	SCREW M4X0.7 L=12				4
62	SM6041402TP	SCREW M4 L=14	FOR 221D			8
63	SM8050412TP	SCREW M5 L=4				2
64	SM8050412TP	SCREW M5 L=4				2
65	SM8050812TP	SCREW M5X8				1
66	SM8060602TP	SCREW M6X6				2
67	SM8060602TP	SCREW M6X6				2
68	SM8060802TP	SCREW M6 L=8				2
69	SM8060812TP	SCREW M6 L=8				2
70	SM8060812TP	SCREW M6 L=8				4
71	SS2111010TP	SCREW 11/64-40 L=9.5				2
72	SS4111815SP	SCREW 11/64 L=18				2
73	SS6111140SP	SCREW 11/64-40 L=11				4
74	SS7110570SP	SCREW 11/64-40 L= 4.8				1
75	WP0320500SD	M3 WASHER				16
76	WP0320501SD	WASHER				16
77	WP0482086SD	WASHER 4.8X11.5X2				4
78	WP0482086SD	WASHER 4.8X11.5X2				2
79	WP0450801SD	WASHER 4.5X10X0.8				4
80	WP0450846SP	WASHER				2
81	WP0501016SD	WASHER 5X10.5X1				2
82	WP0430801SC	WASHER 4.3X9X0.8				1
83	B2520215D00	Y-LM GUIDE	FOR 215D			2
84	B2544215D00	Y FEED BASE	FOR 215D			2
85	SD0791271SP	HINGE SCREW D= 7.94 H=12.7	FOR 215D			2
86	SL6040892TN	BOLT	FOR 215D			1
87	SM6030802TP	SCREW M3X0.5 L=8	FOR 215D			12
88	B2545215D00	Y-LM GUIDE INSTALLING PLATE	FOR 215D			2
89	SS2111010TP	SCREW 11/64-40 L=9.5	FOR 215D			8
90	B2537221D00	Y DRIVE WHEEL SPACER	Q'TY TO BE SELECTIVE			3
91	SM6040802TP	SCREW M4X0.7 L=8	FOR 215D			1
92	WS0410002KN	SPRING WASHER	FOR 215D			1
93	WP0430800SC	WASHER M4	FOR 215D			1

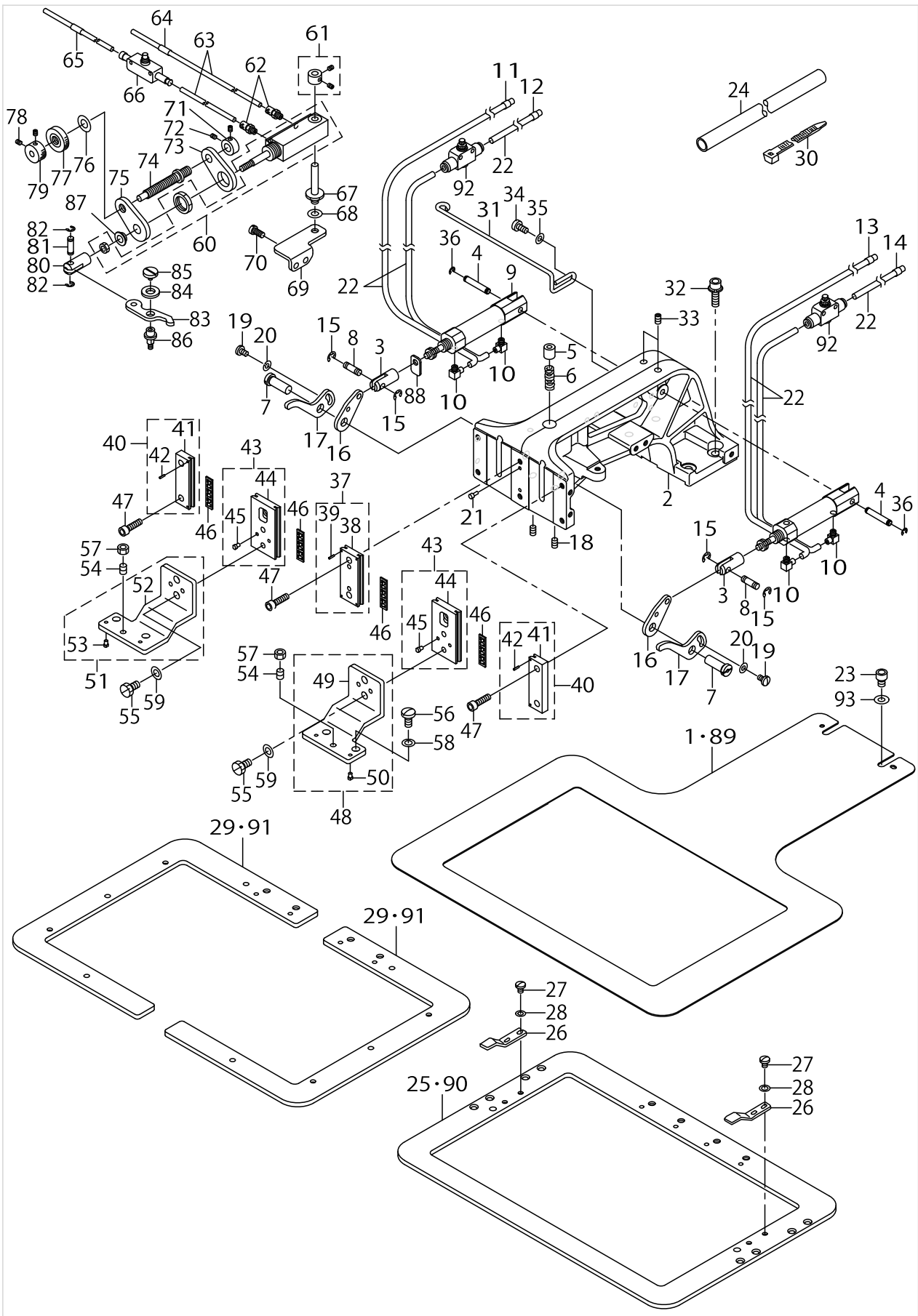
CLOTH FEED MECHANISM COMPONENTS



CLOTH FEED MECHANISM COMPONENTS

No.	Parts No.	Parts name	Remarks	Level	Cons	Qty
1	B2552221D00	LOWER PLATE	FOR 221D			1
2	B2550221D00	CLOTH FEED BASE				1
3	B1625220000	CYLINDER KNUCKLE				2
4	B1504210000	CONNECTING SHAFT				2
5	B1403372000A	NEEDLE BAR BUSHING LOWER				1
6	B2576220000	SLIDER SPRING				1
7	B2509372000A	FEED STUD				2
8	B1626220000	CYLINDER PIN				2
9	PA1602509A0	AIR CYLINDER				2
10	PJ046052503	HOSE ELBOW				4
11	B471122000C	AIR TUBE LABEL J03 LEFT				1
12	B471122000D	AIR TUBE LABEL J04 LEFT				1
13	B471122000G	AIR TUBE LABEL J03 RIGHT				1
14	B471122000H	AIR TUBE LABEL J04 RIGHT				1
15	RE0300000K0	E-RING 3				4
16	B2570215000	LIFTING LEVER A				2
17	B2571215000	LIFTING LEVER B				2
18	SM8050812TP	SCREW M5X8				2
19	SS7110710SP	SCREW 11/64-40 L=7				2
20	WP0501016SD	WASHER 5X10.5X1				2
21	B1816280000	GUIDE PIN				2
22	BT0400251EB	URETHANE HOSE, BLACK				4.2
23	SM6060802TP	SCREW M6 L=8				2
24	HX00364000E	PARTS				0.3
25	B2553221000	FEEDING FRAME	FOR 221DSS,DHS			1
26	B2558220000	PLASTIC BLANK PLATE	FOR2△△DSS,DHS			2
27	SS7110510SP	SCREW 11/64-40 L=5	FOR2△△DSS,DHS			4
28	WP0450801SD	WASHER 4.5X10X0.8	FOR2△△DSS,DHS			4
29	B2606221000	FRAME	FOR 221DSL,DHL			2
30	HX002330000	CLIP				7
31	B2568223C00	AIR TUBE SUPPORT				1
32	SL6062092TN	SCREW M6 L=20				4
33	SM8050812TP	SCREW M5X8				2
34	SS6121010SP	SCREW 3/16-28 L=10				2
35	WP0501016SD	WASHER 5X10.5X1				2
36	RE0320000K0	E-RING 3.2				2
37	B26132150A0	WORK CLAMP FOOT PLATE A ASM.				1
38	B2613215000	WORK CLAMP FOOT PLATE A		*		1
39	PS0150065KP	SPRING PIN 1.5X6		*		4
40	B25672150A0	WORK CLAMP FOOT PLATE B ASM.				2
41	B2567215000	WORK CLAMP FOOT PLATE B		*		1
42	PS0150065KP	SPRING PIN 1.5X6		*		2
43	B26112150A0	SLIDE PLATE ASM.				2
44	B2611215000	WORK CLAMP FOOT SLIDE PLATE		*		1
45	B1816280000	GUIDE PIN		*		2
46	B2513215000	BEARING				4
47	SM6051802TP	SCREW M5 L=18				6

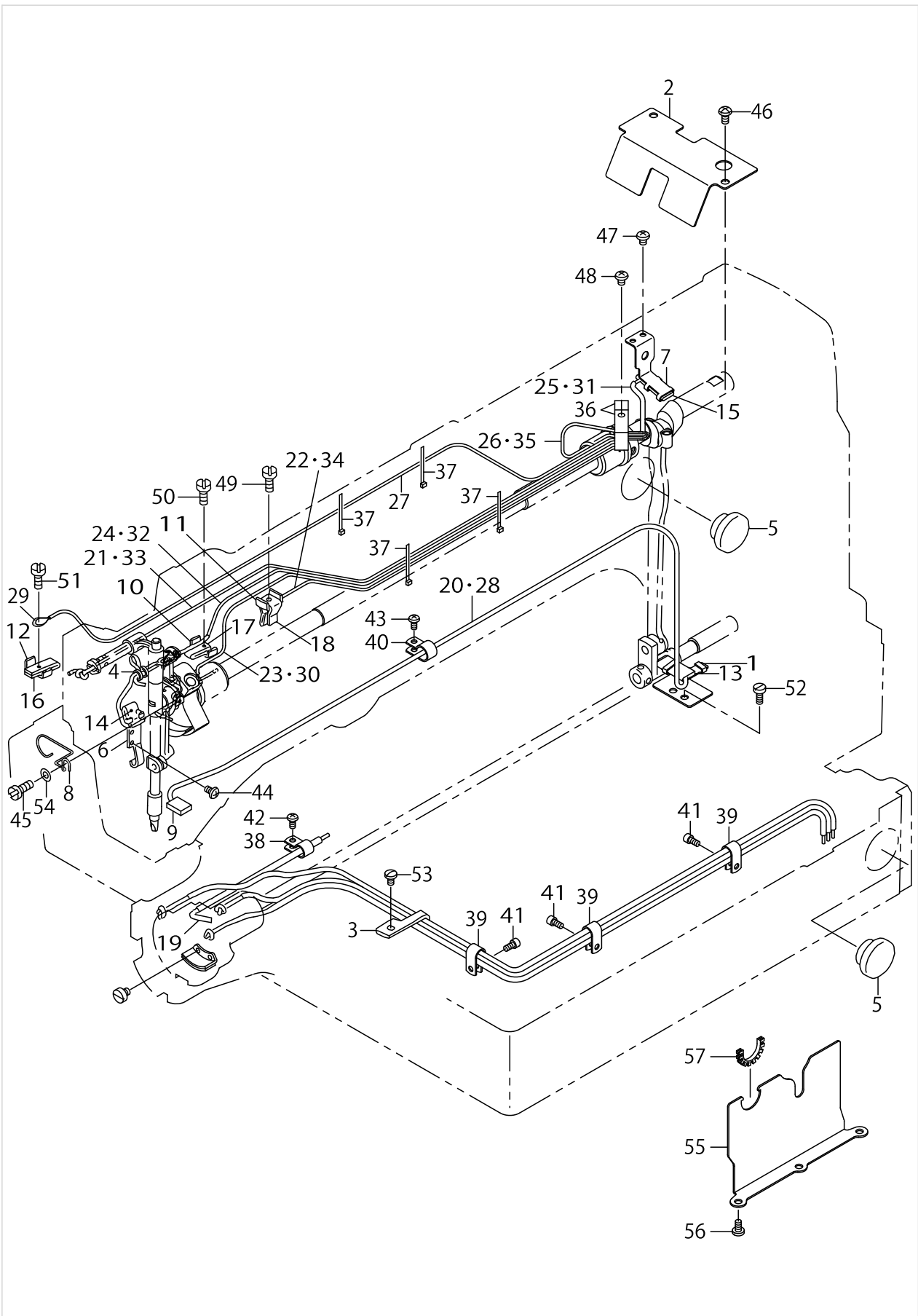
CLOTH FEED MECHANISM COMPONENTS



CLOTH FEED MECHANISM COMPONENTS

No.	Parts No.	Parts name	Remarks	Level	Cons	Qty
48	B26042150A0	RECEIVER PLATE,RIGHT ASM.				1
49	B2604215000	RECEIVER PLATE,RIGHT		*		1
50	B1816280000	GUIDE PIN		*		2
51	B26052150A0	RECEIVER PLATE,LEFT ASM.				1
52	B2605215000	RECEIVER PLATE,LEFT		*		1
53	B1816280000	GUIDE PIN		*		2
54	SS8150822TP	SCREW 15/64-28 L=8				2
55	SS9151120CP	SCREW 15/64-28 L=11				4
56	SS7150910TP	SCREW 15/64-28 L=9				4
57	NS6150330SD	NUT 15/64-28				2
58	WP0651056SD	WASHER 6.5X11X1				4
59	WP0651056SD	WASHER 6.5X11X1				4
60	PA1602510A0	AIR CYLINDER	FOR 2△△DSL,DHL			1
61	B25792290A0	THRUST BEARING	FOR 2△△DSL,DHL			1
62	PJ032052503	HOSE NIPPLE	FOR 2△△DSL,DHL			2
63	BT0400251EB	URETHANE HOSE, BLACK	FOR 2△△DSL,DHL			2.1
64	B471122000E	AIR TUBE LABEL J05	FOR 2△△DSL,DHL			1
65	B471122000F	AIR TUBE LABEL J06	FOR 2△△DSL,DHL			1
66	PC012401000	SPEED CONTROLLER	FOR 2△△DSL,DHL			1
67	B2528215000	SHAFT	FOR 2△△DSL,DHL			1
68	WP0650876SD	WASHER 6.5X13X0.8	FOR 2△△DSL,DHL			1
69	B2514215000	INSTALLING PLATE	FOR 2△△DSL,DHL			1
70	SS6121010SP	SCREW 3/16-28 L=10	FOR 2△△DSL,DHL			2
71	CS0790731SH	THRUST COLLAR	FOR 2△△DSL,DHL			1
72	SS8110422TP	SCREW 11/64-40 L=4	FOR 2△△DSL,DHL			2
73	B2518215000	BRACKET	FOR 2△△DSL,DHL			1
74	B2527215000	REGULATION SCREW	FOR 2△△DSL,DHL			1
75	B2518215A00	REGULATION PLATE	FOR 2△△DSL,DHL			1
76	WP0820816SD	WASHER 8.2X16X0.8	FOR 2△△DSL,DHL			1
77	B3012816000	NUT	FOR 2△△DSL,DHL			1
78	SS8110422TP	SCREW 11/64-40 L=4	FOR 2△△DSL,DHL			2
79	B2304205000	KNOB	FOR 2△△DSL,DHL			1
80	B1625220000	CYLINDER KNUCKLE	FOR 2△△DSL,DHL			1
81	B1626220000	CYLINDER PIN	FOR 2△△DSL,DHL			1
82	RE0300000K0	E-RING 3	FOR 2△△DSL,DHL			2
83	B2516215000	LEVER	FOR 2△△DSL,DHL			1
84	B185351200E	HOOK SHAFT WASHER	FOR 2△△DSL,DHL			1
85	SS6110520TP	SCREW 11/64-40 L=4.5	FOR 2△△DSL,DHL			1
86	B3012490000	DRIVING LINK SHAFT	FOR 2△△DSL,DHL			1
87	B2548215000	BUSHING	FOR 2△△DSL,DHL			1
88	B2530215000	PRESSER PLATE	FOR 2△△DSL,DHL			1
89	B2552215D00	LOWER PLATE	FOR 215D			1
90	B2553215D00	FEEDING FRAME	FOR 215DSS,DHS			1
91	B2606215D00	FRAME	FOR 215DSL,DHL			2
92	PC012401000	SPEED CONTROLLER				2
93	WP0611626SP	WASHER 15X6X1.6				2

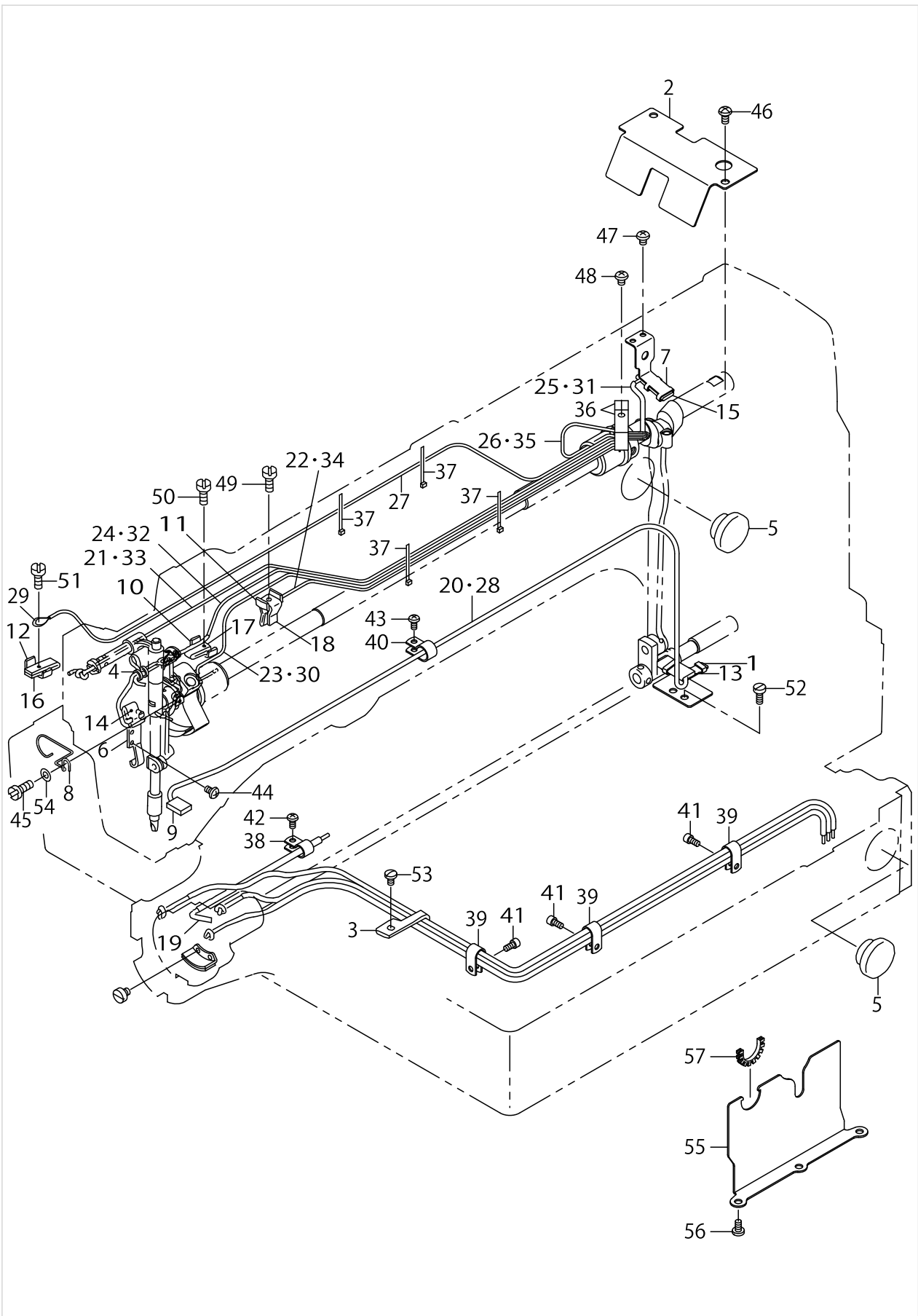
LUBRICATION COMPONENTS



LUBRICATION COMPONENTS

No.	Parts No.	Parts name	Remarks	Level	Cons	Qty
1	B3506221D00	LOWER SHAFT LUBRICATION PLATE				1
2	B3510221D00	MAIN SHAFT OIL PREVENT PLATE				1
3	13530209	LUBRICATING OIL WICK STOPPER				1
4	B1419026000	OIL WICK PRESSER				3
5	B3501210000	OIL GAUGE				2
6	B3502220000	OIL WICK HOLDER				1
7	B3505210D00	CRANK ROD LUBRICATION PLATE				1
8	B3507220000	OIL WICK HOLDER				1
9	B3507280000	OIL FELT				1
10	B3508280000	BALANCE LUBRICATING PLATE				1
11	B3508280000	BALANCE LUBRICATING PLATE				1
12	B3508280000	BALANCE LUBRICATING PLATE				1
13	B3509210D00	OIL FELT				1
14	B3509220000	OIL SPONGE				1
15	B3509280000	NEEDLE ROD CRANK LUBRICATING				1
16	B3518280000	BALANCE LUBRICATING				1
17	B3518280000	BALANCE LUBRICATING				1
18	B3520220000	OIL SPONGE				1
19	B35222200A0	OIL FELT ASM.				1
20	B3523220000	OIL FELT				1
21	BP300000000	VINYL PIPE				0.42
22	BP300000000	VINYL PIPE				0.38
23	BP300000000	VINYL PIPE				0.44
24	BP300000000	VINYL PIPE				0.41
25	BP300000000	VINYL PIPE				0.24
26	BP300000000	VINYL PIPE				0.12
27	BP300000000	VINYL PIPE				0.5
28	BP600000000	VINYL PIPE				0.6
29	CQ200000000	OIL WICK				1.7
30	CQ200000000	OIL WICK				1.6
31	CQ200000000	OIL WICK				0.66
32	CQ202000000	OIL WICK				1.35
33	CQ252200000	OIL WICK				0.8
34	CQ252200000	OIL WICK				0.65
35	CQ252200000	OIL WICK				0.35
36	D2112555B00	CORD HOLDER, LARGE				2
37	EA9500B0100	CABLE BAND				4
38	HX00150000C	CABLE CLIP				1
39	HX00150000D	CABLE CLIP				3
40	HX00150000D	CABLE CLIP				1
41	SM6040802TP	SCREW M4X0.7 L=8				3
42	SL4040891SC	SCREW M4 L=8				1
43	SL4040891SC	SCREW M4 L=8				1
44	SS4110715SP	SCREW 11/64-40 L=7				2
45	SS4110715SP	SCREW 11/64-40 L=7				1
46	SS4120615SP	SCREW 3/16-28 L=6				2
47	SS4120615SP	SCREW 3/16-28 L=6				2

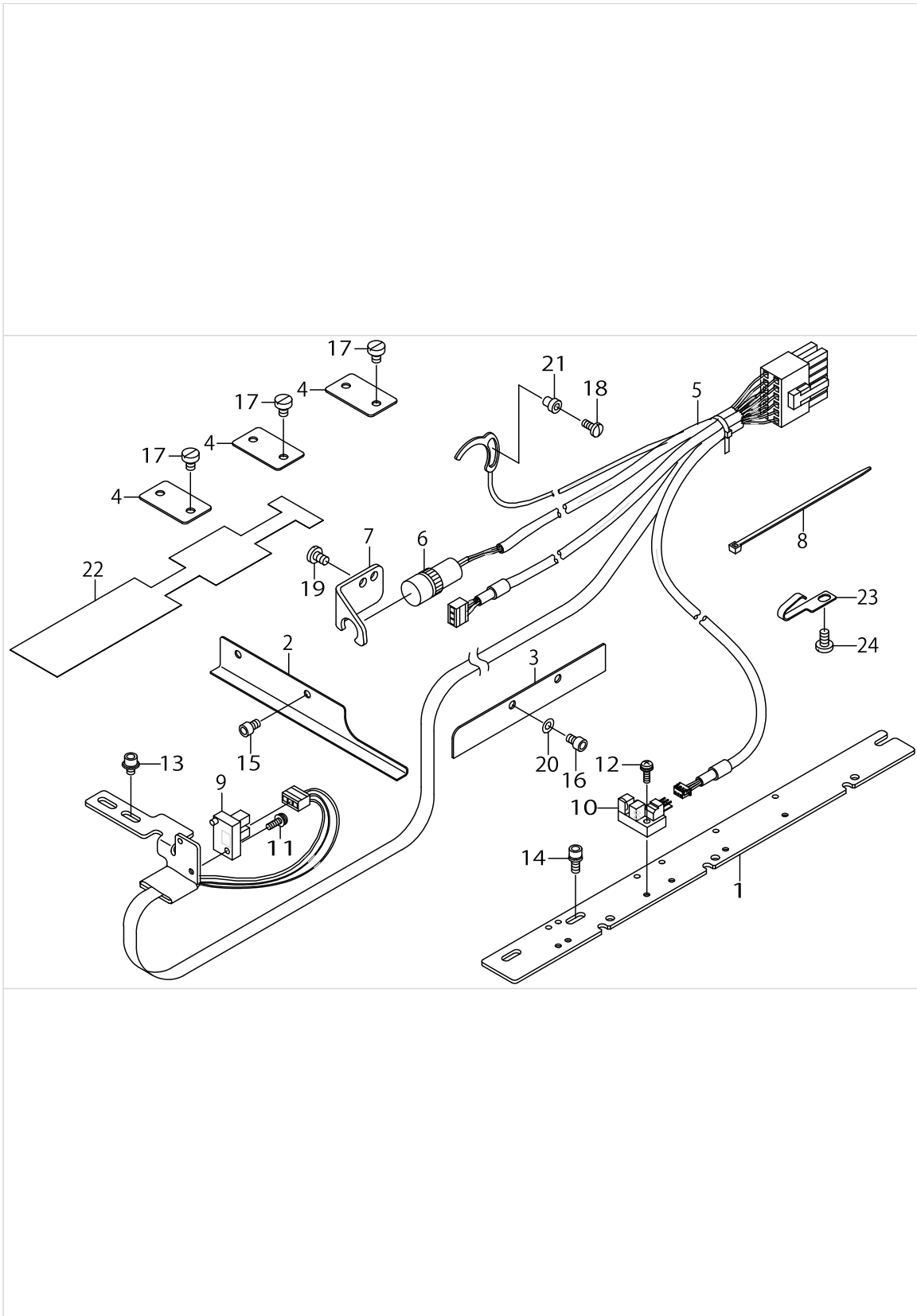
LUBRICATION COMPONENTS



LUBRICATION COMPONENTS

No.	Parts No.	Parts name	Remarks	Level	Cons	Qty
48	SS4120915SP	SCREW 3/16-28 L=9				1
49	SS6092120SP	SCREW 9/64-40 L=21.2				1
50	SS6092120SP	SCREW 9/64-40 L=21.2				1
51	SS6092120SP	SCREW 9/64-40 L=21.2				1
52	SS6111140SP	SCREW 11/64-40 L=11				2
53	SS7110710SP	SCREW 11/64-40 L=7				1
54	WP0450000SD	WASHER 4.5X8X0.5				1
55	B3511221D00	BED OIL PREVENT PLATE				1
56	SS7110840SP	SCREW 11/64-40 L=7.8				3
57	HX002230000	ADJUSTABLE BUSH				0.04

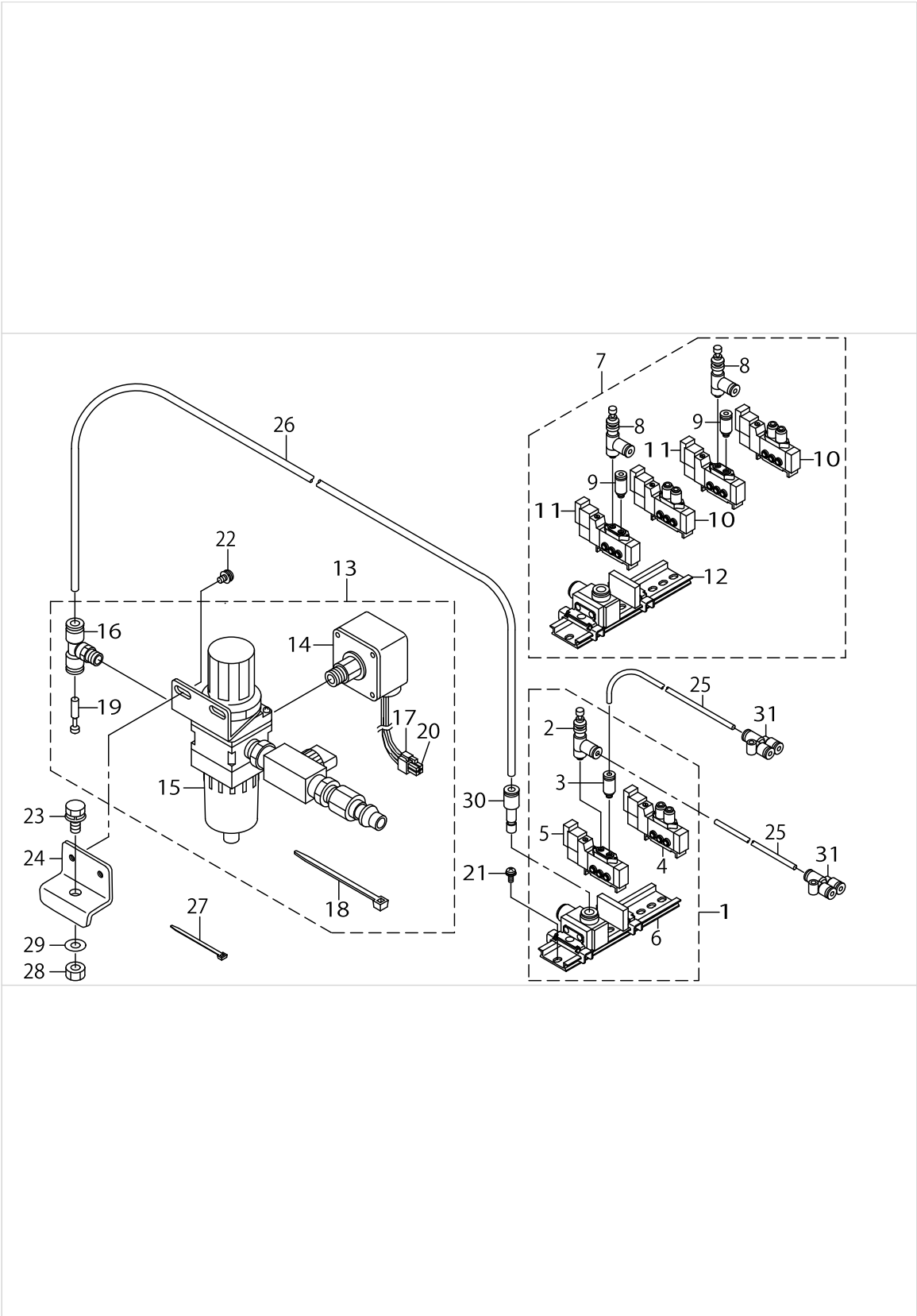
SENSOR COMPONENTS



SENSOR COMPONENTS

No.	Parts No.	Parts name	Remarks	Level	Cons	Qty
1	B4005221D00	Y SENSOR INSTALLING PLATE				1
2	B4007221D00	X SLIT PLATE				1
3	B4008221D00	Y SLIT PLATE				1
4	B4022221D00	FLAT CABLE CLAMP				3
5	B4130221DA0A	FRAME SENSOR CABLE ASM.				1
6	HA004580000	PUSH SWITCH				1
7	B4110210D00A	STOP SWITCH INSTALLING PLATE				1
8	EA9500B0100	CABLE BAND				2
9	HD000570000	SENSOR				1
10	HD00057000A	PHOTO SENSOR				1
11	SL4031091SC	SCREW M3 X 10				1
12	SL4031091SC	SCREW M3 X 10				1
13	SL6040892TN	BOLT				2
14	SL6040892TN	BOLT				2
15	SM6040602TP	SCREW M4 L=6				2
16	SM6040602TP	SCREW M4 L=6				2
17	SS6110610TP	SCREW 11/64-40 L=6				6
18	SS7090850SP	SCREW 9/64-40 L=8				1
19	SS7110710SP	SCREW 11/64-40 L=7				2
20	WP0430800SD	WASHER M4				2
21	B2703210000	BUSHING				1
22	B4120221D00	X CABLE GUARD				1
23	13530209	LUBRICATING OIL WICK STOPPER				1
24	SS7110840SP	SCREW 11/64-40 L=7.8				1

PNEUMATIC COMPONENTS



PNEUMATIC COMPONENTS

No.	Parts No.	Parts name	Remarks	Level	Cons	Qty
1	B4701221DA0	SOLENOID VALVE A ASM.	FOR2△△DSS,DHS			1
2	PF070501000	PRESSURE DECREASING VALVE		*		1
3	PJ301040505	HALF UNION		*		1
4	PV150209000	5 PORT SOLENOID VALVE		*		1
5	PV150209100	SOLENOID VALVE		*		1
6	PV915005000	SOLENOID VALVE INSTALLING BASE		*		1
7	B4702221DA0	SOLENOID VALVE B ASM.	FOR2△△DSL,DHL			1
8	PF070501000	PRESSURE DECREASING VALVE		*		2
9	PJ301040505	HALF UNION		*		2
10	PV150209000	5 PORT SOLENOID VALVE		*		2
11	PV150209100	SOLENOID VALVE		*		2
12	PV915005000	SOLENOID VALVE INSTALLING BASE		*		1
13	B47152150A0	FILTER REGULATOR ASM.				1
14	G8124270000	AIR PRESSUE SWITCH		*		1
15	PF0552040B0	FILTER REGULATOR		*		1
16	PJ305065202	TEE		*		1
17	HK034610040	HOUSING		*		1
18	EA9500B0100	CABLE BAND		*		5
19	PX950009000	PLUG		*		1
20	HK034640000	PIN CONTACT		*		3
21	SL4040891SC	SCREW M4 L=8				2
22	SL4051091SC	SCREW M5X0.8 L=10				2
23	SL9082093SE	SCREW				1
24	B8211206000	FILTER INSTALLING PLATE				1
25	BT0400251EB	URETHANE HOSE, BLACK	FOR2△△DSS,DHS			0.5
26	BT0600401EB	TUBE				1.5
27	HX002330000	CLIP				7
28	NM6080721SE	NUT M8				1
29	WP0871602SE	WASHER 8.7X18X1.6				1
30	PJ301060003	REDUCER				1
31	PJ308040002	QUICK COUPLING	FOR2△△DSS,DHS			2

TABLE COMPONENTS

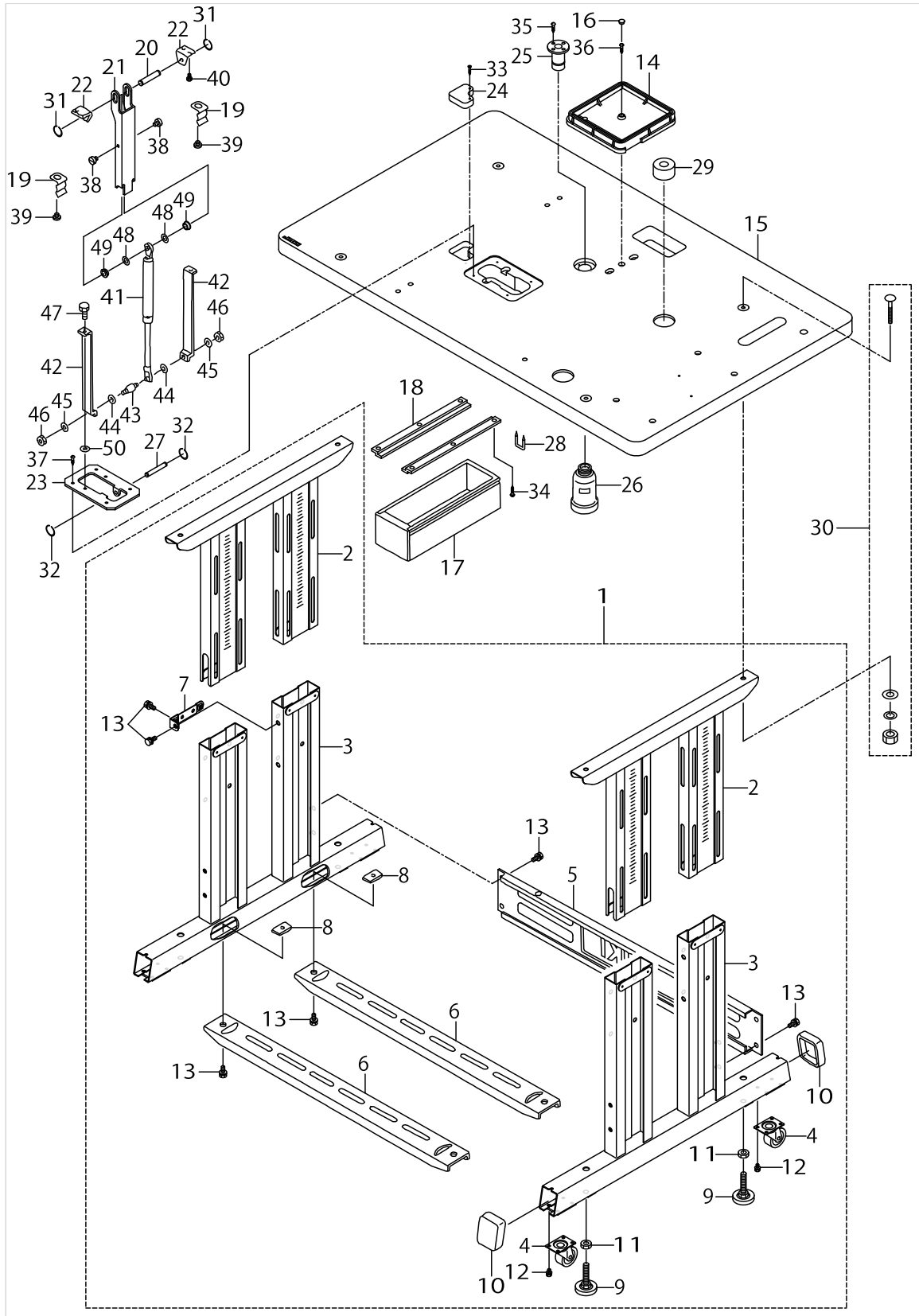


TABLE COMPONENTS

No.	Parts No.	Parts name	Remarks	Level	Cons	Qty
1	B8101221DA0	STAND ASM.				1
2	B8102221DA0	UPPER STAND COMPL.		*		2
3	B8103221DA0	STAND COMPL.		*		2
4	B8150221D00	CASTER		*		4
5	11158300	STAND SIDE SUPPORT		*		1
6	11158409	STAND SIDE SUPPORT		*		2
7	11158516	UPPER STAND PLATE		*		4
8	17007402	NUT		*		4
9	17833658	ADJUSTING BOLT ASM.		*		4
10	B8110373N00	CAP		*		4
11	NM6120003SE	NUT M12		*		4
12	SL9061293SE	WASHER HEXAGONAL BOLT		*		16
13	SL9082093SE	SCREW		*		20
14	B8110221D00	OIL RESERVOIR				1
15	B8201221D00	TABLE				1
16	TA1050504R0	RUBBER PLUG				1
17	11155108	DRAWER				1
18	11155207	DRAWER SUPPORT				2
19	13502109	BED COVER B SPRING				2
20	13518105	LIFTING LEVER SHAFT				1
21	B8115215000	FRAME BRACKET BAR				1
22	B8162220000	LIFTER BRACKET B				2
23	B8168215000	BRACKET BASE				1
24	B8171223C00	RUBBER ABSORBER				1
25	B8202205000	OIL MANAGEMENT				1
26	B9121012000	OIL CAN				1
27	D2502232D00	SHAFT BLOCK SHAFT				1
28	D8204555D00	DRAWER STOPPER				1
29	G5151171000	CUSHION				2
30	MTJMS00000S	SCREW SET				4
31	RE0700000K0	E-RING 7				2
32	RE0700000K0	E-RING 7				2
33	SK1382501SE	WOOD SCREW D=3.8 L=25				1
34	SK3311600SC	WOOD SCREW D=3.1 L=16				6
35	SK3311600SC	WOOD SCREW D=3.1 L=16				2
36	SK3311601SE	WOOD SCREW D=3.1 L=16				1
37	SK3452500SC	WOOD SCREW D=4.5 L=25				4
38	SS6110510SP	SCREW 11/64-40 L=5				2
39	SS7110410SP	SCREW 11/64-40 L=4				2
40	SS9151120CP	SCREW 15/64-28 L=11				4
41	B8160229000	GAS SPRING				1
42	B8161220000	LIFTER BRACKET A				2
43	B8163220000	LIFTER PIVOT PIN				1
44	WP0841600SE	WASHER 8,4X15,5X1,6				2
45	WP0641601SC	WASHER				2
46	NM6060002SE	NUT M6				2
47	SM9061403SC	SCREW M6 L=14				2

TABLE COMPONENTS

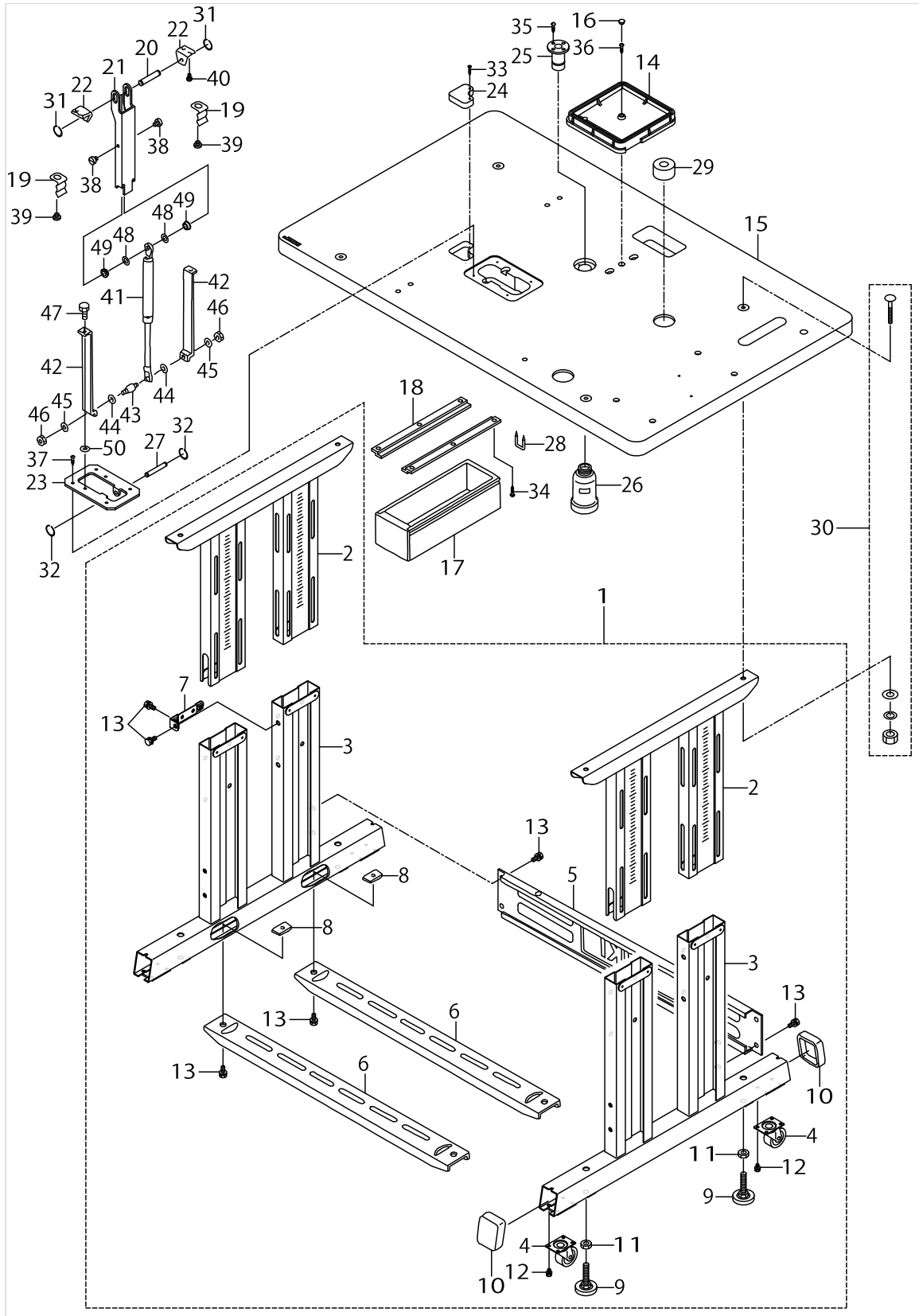
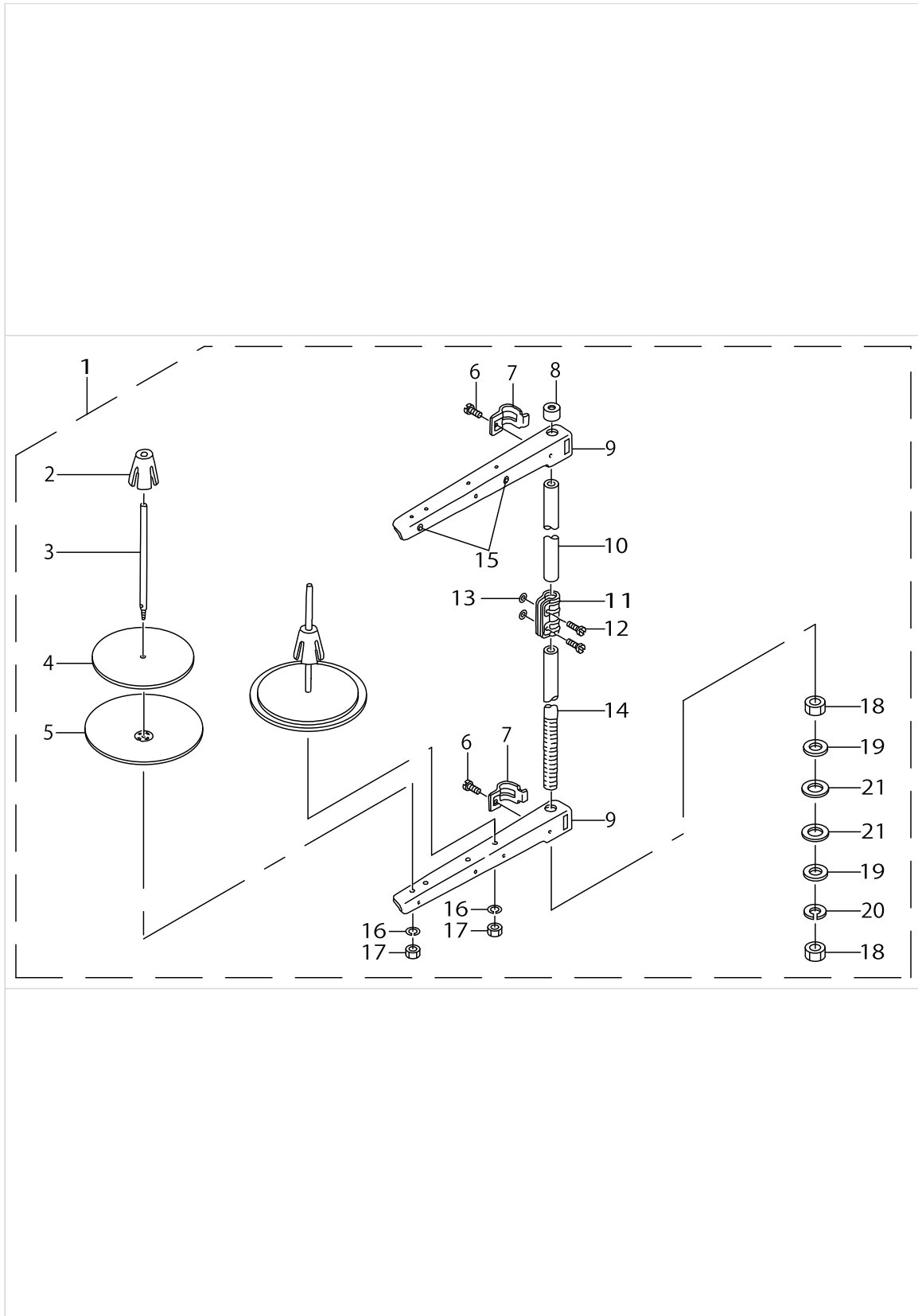


TABLE COMPONENTS

No.	Parts No.	Parts name	Remarks	Level	Cons	Qty
48	WP0820816SD	WASHER 8.2X16X0.8				2
49	11023603	BELT COVER COLLAR				2
50	WP0704016SP	WASHER 7X20X4				2

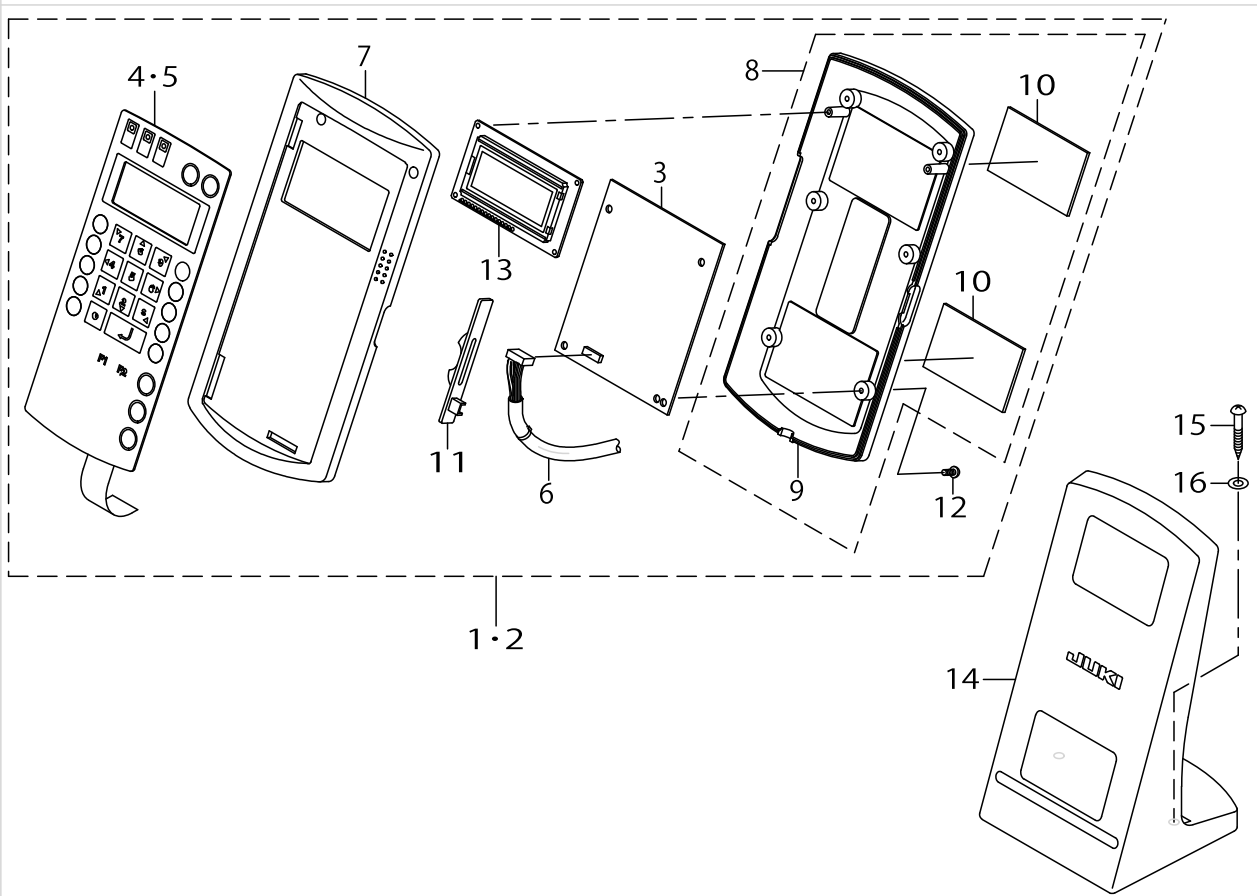
THREAD STAND COMPONENTS



THREAD STAND COMPONENTS

No.	Parts No.	Parts name	Remarks	Level	Cons	Qty
1	22930358	THREAD STAND ASM.				1
2	22931109	SPOOL RETAINER		*		2
3	22931000	SPOOL PIN		*		2
4	22930903	SPOOL REST CUSHION		*		2
5	22930804	SPOOL REST		*		2
6	SM6061610SC	SCREW M6 L=16		*		2
7	22930705	THREAD GUIDE ARM JOINT		*		2
8	22931406	SPOOL REST ROD RUBBER CAP		*		1
9	22930507	SPOOL REST ARM		*		2
10	22930408	SPOOL REST ROD, UPPER		*		1
11	22931307	SPOOL REST ROD JOINT		*		1
12	SM4051405SE	SCREW M5 L=14		*		2
13	NM6050001SE	NUT M5		*		2
14	22930309	SPOOL REST ROD, LOWER		*		1
15	22931208	THREAD GUIDE		*		2
16	WS0510002KN	SPRING WASHER		*		2
17	NM6050001SE	NUT M5		*		2
18	NM6160511SE	NUT M16X1.5		*		2
19	WP1702600S0	WASHER 17X30X2.6		*		2
20	WS1643202KR	SPRING WASHER		*		1
21	22931505	RUBBER WASHER		*		2

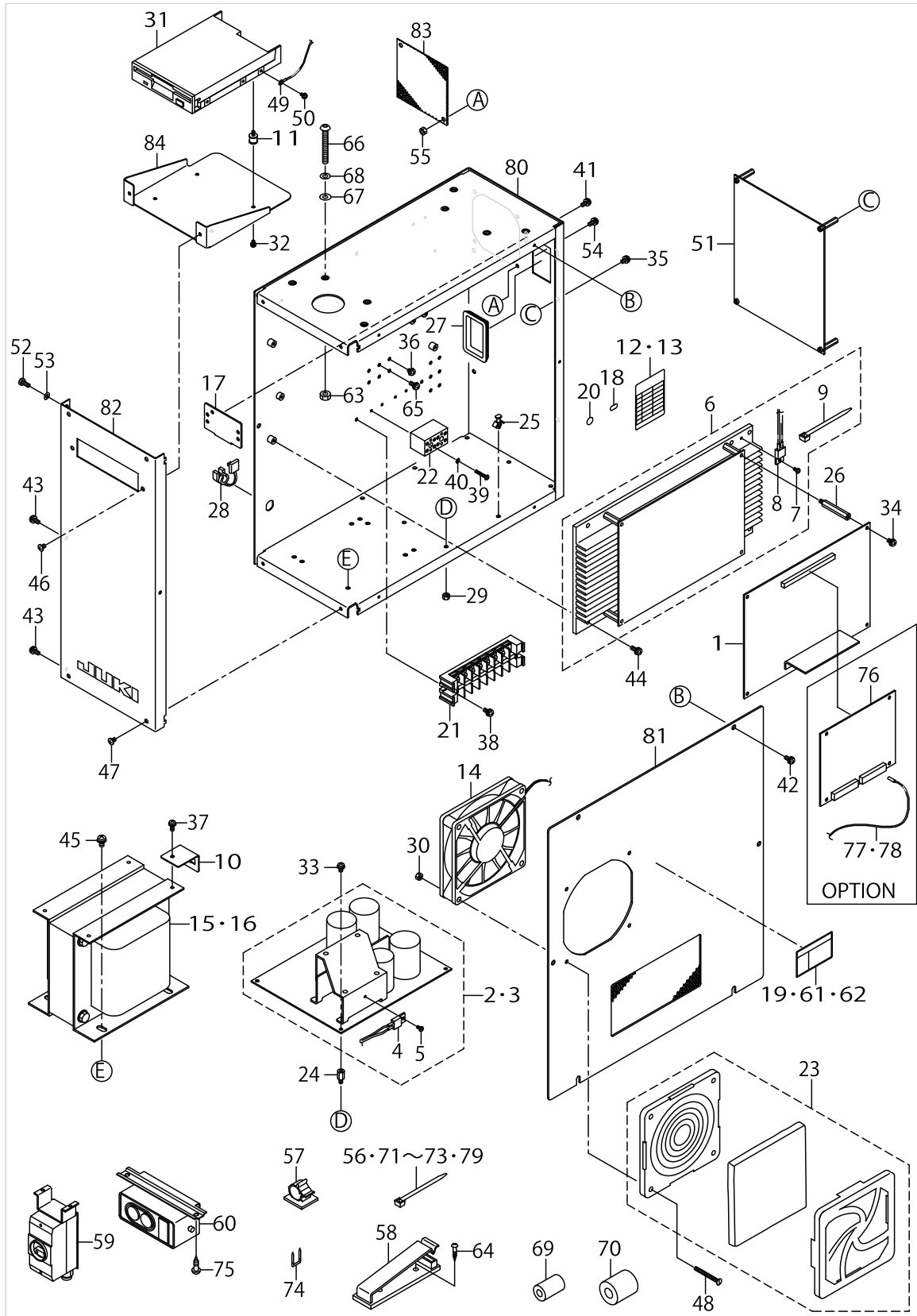
OPERATION BOX COMPONENTS



OPERATION BOX COMPONENTS

No.	Parts No.	Parts name	Remarks	Level	Cons	Qty
1	M8510580AA0	OPERATION BOX J ASM.	FOR JAPAN			1
2	M8510580BA0	OPERATION BOX E ASM.	FOR EXPORT			1
3	M86065800A0	OPERATION CIRCUIT BOARD ASM.		*		1
4	M300558000A	OPERATION PANEL SHEET(JAPAN)	FOR JAPAN	*		1
5	M300558000B	OPERATION PANEL SHEET(ENGLISH)	FOR EXPORT	*		1
6	M90125800A0	PANEL SIGNAL CORD ASM.		*		1
7	M1030580000	OPERATION BOX UPPER CASE		*		1
8	M10315800A0	OPERATION BOX LOWER CASE ASM.		*		1
9	M1031580000	OPERATION BOX LOWER CASE		*		1
10	M1011580000	MAGNET SHEET		*		2
11	M1032580000	VOLUME TONGUE		*		1
12	ST4031051SN	TAPPING SCREW D=3-24 L=10		*		6
13	M85415800A0	LCD ASM.		*		1
14	M10175800A0	OPERATION BOX FIXED PLATE ASM.				1
15	SK3413201SE	WOOD SCREW D=4.1 L=32				2
16	WP0501016SC	WASHER 5X10.5X1				2

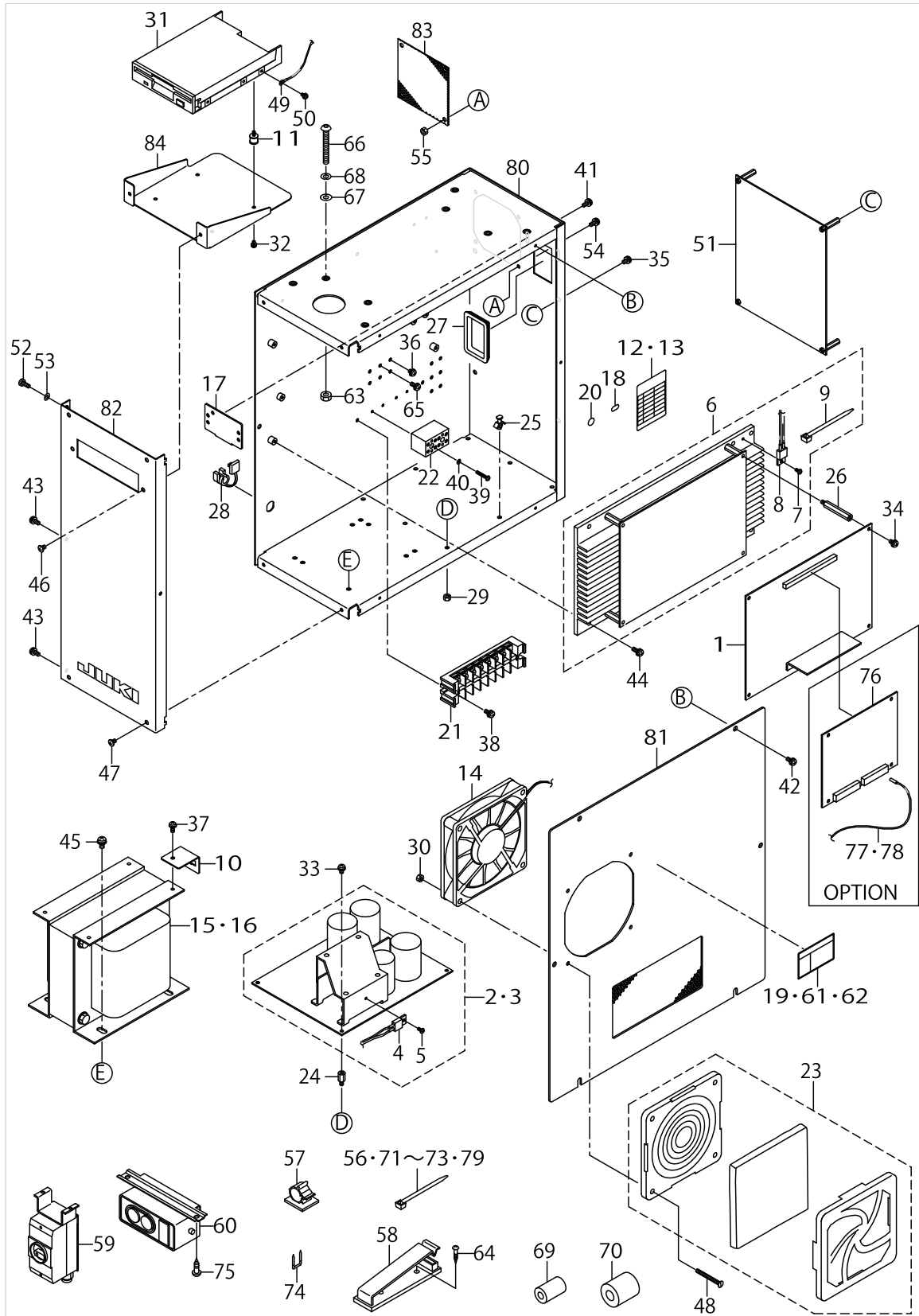
CONTROL BOX COMPONENTS



CONTROL BOX COMPONENTS

No.	Parts No.	Parts name	Remarks	Level	Cons	Qty
1	M8601580CA0	MAIN CIRCUIT BOARD C ASM.				1
2	M86045920B0	POWER CIRCUIT BOARD ASM.	FOR 100~200V			1
3	M8604592AB0	POWER CIRCUIT BOARD A ASM.	FOR 380V			1
4	M9012581AA0	THERMAL SWITCH		*		1
5	SL4030681SF	SCREW M3 L=6		*		1
6	M86055810A0	PMDC CIRCUIT BOARD ASM.				1
7	SL4030681SF	SCREW M3 L=6		*		1
8	M90125810A0	THERMAL SWITCH		*		1
9	EA9500B0100	CABLE BAND		*		1
10	M1014580000	CONNECTOR HOLDER PLATE				1
11	M2001580000	FDD VIBROISOLATING RUBBER				4
12	M300551100A	SEAL A	FOR 100~200V			1
13	M300258000B	SEAL B	FOR 380V			1
14	M85105810A0	FAN ASM.				1
15	M8901581AA0	TRANSFORMER A ASM.	FOR 100~200V			1
16	M8901580BA0A	TRANSFORMER B ASM.	FOR 380V			1
17	17845009	CORD FITTING PLATE				1
18	CM200100001	PE MARK LABEL	FOR 380V			1
19	CM300100001	LABEL	FOR 380V			1
20	E9567319000	EARTH MARK				2
21	HK026650080	TERMINAL BASE 8P	FOR 100~200V			1
22	HK054250040	TERMINAL BASE	FOR 380V			2
23	HM000630010	FILTER				1
24	HX00056000B	SPACER				4
25	HX00147000C	SPACER				4
26	HX00339000D	SPACER				4
27	HX004070000	BUSH				1
28	HX004100000	BUSH				1
29	NM3034000SF	FLANGE NUT				4
30	NM3040520SF	FLANGE NUT M4				4
31	S9622710000	MICRO FLOPPY DISC DEVICE				1
32	SL4030681SF	SCREW M3 L=6				4
33	SL4030681SF	SCREW M3 L=6				4
34	SL4040881SF	SCREW M4 L=8				4
35	SL4030891SC	SCREW M3X8				4
36	SL4040681SC	COMBINATION SCREW M4 X 8				3
37	SL4041081SF	SCREW M4 L=10				1
38	SL4041081SF	SCREW M4 L=10	FOR 100~200V			2
39	SM4031851SR	SCREW	FOR 380V			4
40	WS0310702KS	SPRING WASHER	FOR 380V			4
41	SL4041091SC	SCREW M4 L=10				2
42	SL4041091SC	SCREW M4 L=10				6
43	SL4041091SC	SCREW M4 L=10				2
44	SL4041281SF	SCREW M4 L=12				4
45	SL4051081SF	SCREW M5 L=10				4
46	SM0040601SC	SCREW M4X0.7 L=6				2
47	SM0040601SC	SCREW M4X0.7 L=6				4

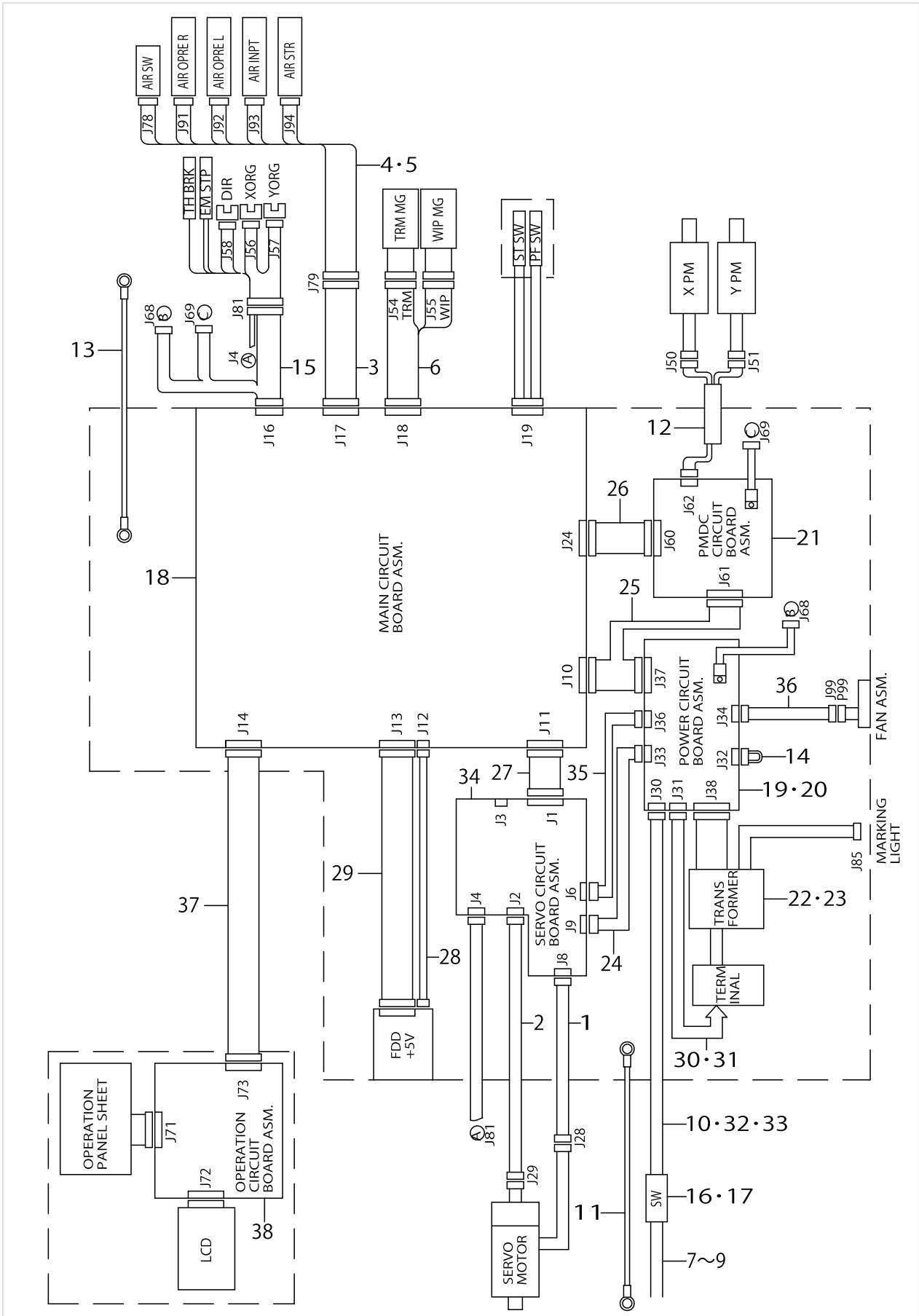
CONTROL BOX COMPONENTS



CONTROL BOX COMPONENTS

No.	Parts No.	Parts name	Remarks	Level	Cons	Qty
48	SM1044050SM	SCREW M4X0.7 L=40				4
49	M90295800A0	FDD EARTH CORD ASM.				1
50	SL4030681SF	SCREW M3 L=6				1
51	M8602590BA0	SERVO CIRCUIT BOARD B ASM.				1
52	SM9041050SC	SCREW M4X0.7 L=10				1
53	WP0430800SC	WASHER M4				1
54	SL4041091SC	SCREW M4 L=10				4
55	NM3040520SF	FLANGE NUT M4				4
56	EA9500B0100	CABLE BAND				1
57	E9607603000	STICKER (SMALL)				1
58	M964051000A	CABLE CLIP				2
59	HA00303000A	SWITCH	FOR 380V 3-PHASE			1
60	HA004250000	SWITCH				1
61	CM300100101	DANGER LABEL (SMALL)	FOR 100~200V(JAPAN)			1
62	G6705152U0A	LABEL	FOR 100~200V(EXPORT)			1
63	NM6060001SC	NUT M6				4
64	SK3382001SE	SCREW D=3.8 L=20				4
65	SL4041091SC	SCREW M4 L=10				2
66	SM3065052TC	SCREW				4
67	WP0651001SC	WASHER				4
68	WS0610002KN	SPRING WASHER 6.1X12.2X1.5				4
69	HN00149000A	CLAMP FILTER	FOR 380V(JE)			1
70	HN001490000	CLAMP FILTER(L)	FOR 380V(JE)			1
71	EA9500B0100	CABLE BAND	FOR 380V(JE)			1
72	EA9500B0200	CABLE BAND 150	FOR 380V(JE)			1
73	HX00065000A	CABLE CLIP	FOR 380V(JE)			1
74	MAO11532000	CORD STAPLE	FOR 1-PHASE			2
75	SK3512001SF	WOOD SCREW	FOR 1-PHASE			2
76	M8607580AA0	I/O ENLARGEMENT UNIT A ASM.	OPTION			1
77	M90325800A0	I/O CORD (RED) ASM.	OPTION			1
78	M90335800A0	I/O CORD (BLACK) ASM.	OPTION			1
79	EA9500B0200	CABLE BAND 150				3
80	M1001581000	CONTROL BOX				1
81	M10025810A0	CONTROL BOX COVER ASM.				1
82	M1003581000	CONTROL BOX PANEL				1
83	M1004581000	VENTILATION COVER				1
84	M1005581000	FDD INSTALLING PLATE				1

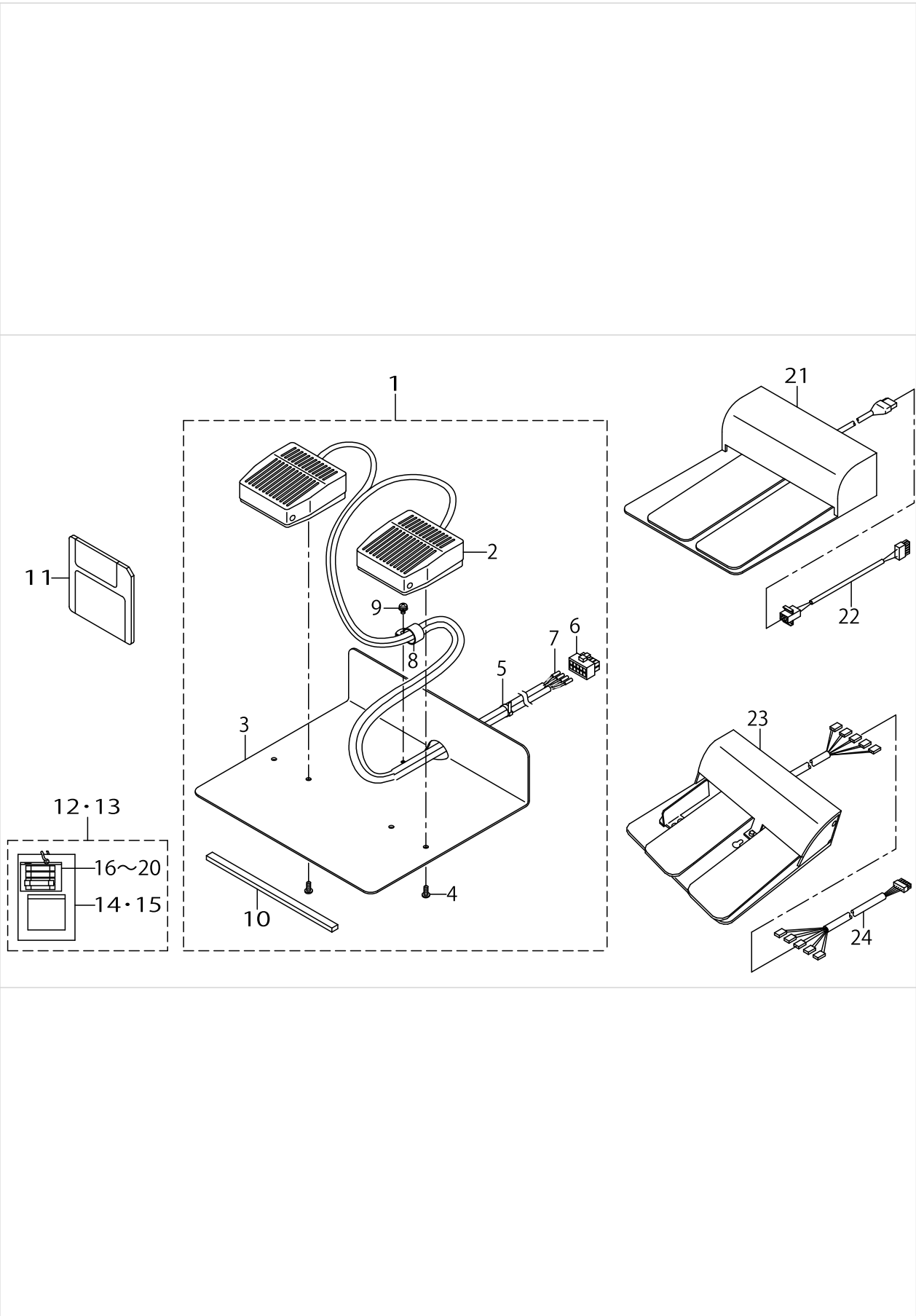
WIRING DIAGRAM



WIRING DIAGRAM

No.	Parts No.	Parts name	Remarks	Level	Cons	Qty
1	M90015810A0	SERVO MOTOR CABLE ASM.				1
2	M90025810A0	ENCODER CONNECTING CABLE ASM.				1
3	M90035810A0	S. VALVE CONNECTING CABLE ASM.				1
4	M90085810A0	SOLENOID VALVE CABLE A ASM.	FOR SOLID TYPE FEEDING FRAME			1
5	M90095810A0	SOLENOID VALVE CABLE B ASM.	FOR SEPARATE TYPE FEEDING FRAME			1
6	M90045810A0	SOLENOID CABLE ASM.				1
7	M90285800A0	POWER CABLE ASM.	FOR 380V			1
8	M90175800A0	POWER CABLE ASM.	FOR 100~200V 3-PHASE			1
9	M90245800A0	POWER CABLE ASM.,100V	FOR 100~200V 1-PHASE			1
10	M90355800A0	POWER SOURCE CORD ASM.	FOR 100V(JAPAN)			1
11	M90345800A0	GROUND CORD ASM.	FOR 100V(JAPAN)			1
12	M90055810A0	PULSE MOTOR CABLE ASM.				1
13	M90065810A0	EARTH CABLE ASM.				1
14	M90215800A0	VOLTAGE TRANSFER CORD ASM.	FOR 100V			1
15	M90075810A0	SENSOR CONNECTING CABLE ASM.				1
16	HA00303000A	SWITCH	FOR 380V 3-PHASE			1
17	HA004250000	SWITCH				1
18	M8601580CA0	MAIN CIRCUIT BOARD C ASM.				1
19	M86045920B0	POWER CIRCUIT BOARD ASM.	FOR 100~200V			1
20	M8604592AB0	POWER CIRCUIT BOARD A ASM.	FOR 380V			1
21	M86055810A0	PMDC CIRCUIT BOARD ASM.				1
22	M8901581AA0	TRANSFORMER A ASM.	FOR 100~200V			1
23	M8901580BA0A	TRANSFORMER B ASM.	FOR 380V			1
24	M90025800A0	SERVO POWER CORD ASM.,B				1
25	M90055800A0	MP POWER CORD ASM.				1
26	M90075800A0	PMDC SIGNAL CORD ASM.				1
27	M90085800A0	SERVO SIGNAL CORD ASM.				1
28	M90095800A0	FDD POWER CORD ASM.				1
29	M90105800A0	FDD SIGNAL CORD ASM.				1
30	M90205800A0	TRANSFORMER POWER CORD ASM.	FOR 100~200V			1
31	M9020580AA0	TRANSFORMER POWER CORD ASM.,A	FOR 380V			1
32	M90225800A0	POWER CORD ASM.	FOR 100~200V			1
33	M90275800A0A	POWER CORD ASM.	FOR 380V			1
34	M8602590BA0	SERVO CIRCUIT BOARD B ASM.				1
35	M90315900A0	SERVO POWER CORD ASM.,A				1
36	M90105810A0	FAN CONNECTING CORD ASM.				1
37	M90125800A0	PANEL SIGNAL CORD ASM.				1
38	M86065800A0	OPERATION CIRCUIT BOARD ASM.				1

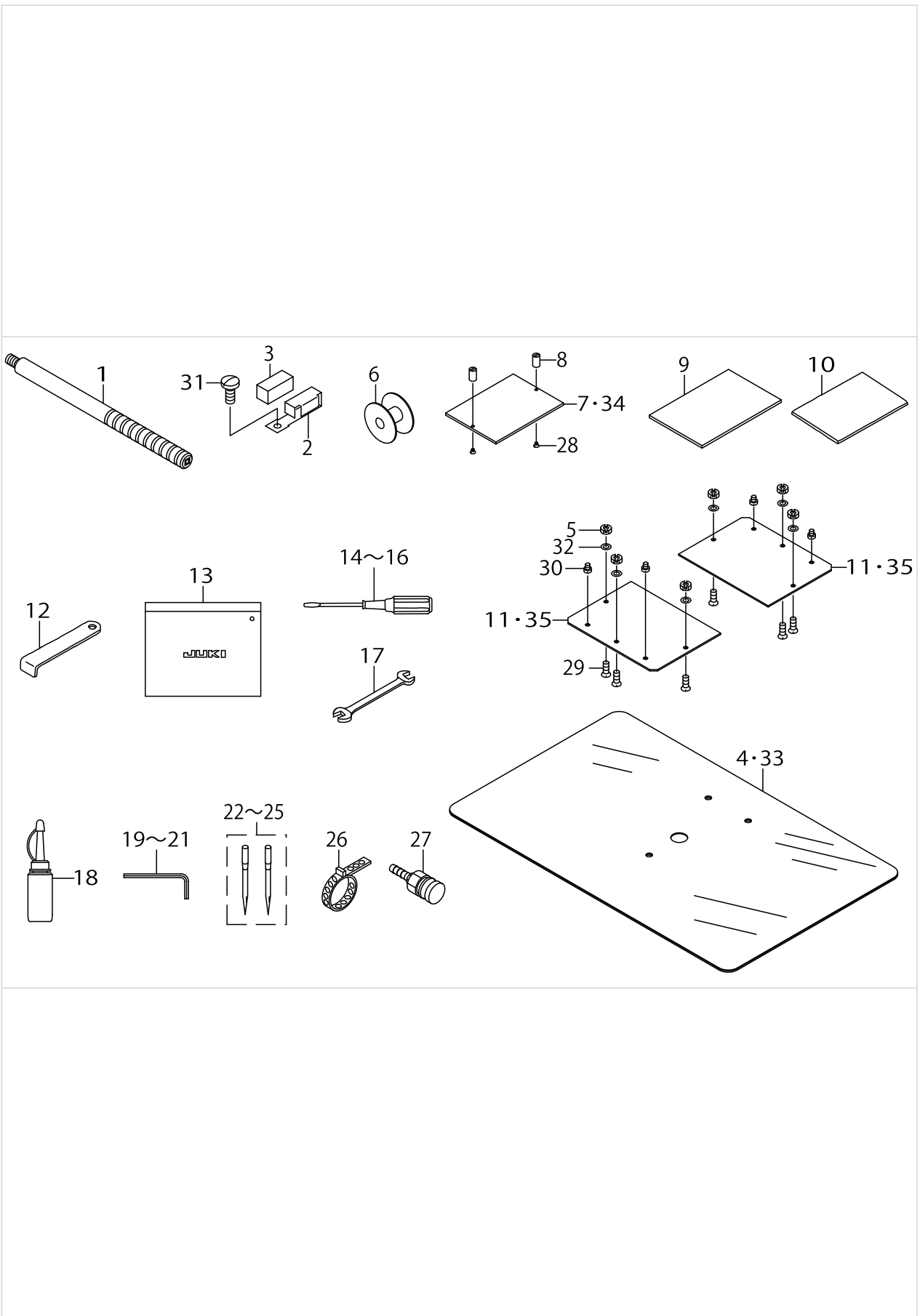
PEDAL & ELECTRICAL EQUIPMENT ACCESSORIE PART COMPONENTS



PEDAL & ELECTRICAL EQUIPMENT ACCESSORIE PART COMPONENTS

No.	Parts No.	Parts name	Remarks	Level	Cons	Qty
1	M85205800A0	2-PEDAL ASM.	SELECTIVE PART			1
2	HA004260000	FOOT SWITCH		*		2
3	M1012580000	SW. MOUNT PLATE A		*		1
4	ST5041051SN	SCREW		*		4
5	EA9500B0100	CABLE BAND		*		4
6	HK034610100	10P CONNECTOR		*		1
7	HK034640000	PIN CONTACT		*		4
8	EA9502B0500	CABLE CLIP		*		1
9	SL4040881SF	SCREW M4 L=8		*		1
10	GPK26002000	PEDAL BASE RUBBER		*		2
11	M8910581000	SERVICE FLOPPY DISC				1
12	M85995800A0	ACCESSORIE PART ASM.	FOR 100~200V			1
13	M8599580AA0	ACCESSORIE PART ASM.,A	FOR 380V			1
14	M300451100A	VOLTAGE INDICATION CARD,A	FOR 100~200V	*		1
15	M3003580000	VOLTAGE INDICATION CARD,B	FOR 380V	*		1
16	E9613601000	FUSE 2A		*		1
17	E8523304000	FUSE 10A		*		1
18	HF0041050P0	FUSE		*		1
19	HF004101000	FUSE 10A		*		1
20	HF0041080P0	FUSE 8A		*		1
21	M85905130AA	PEDAL SWITCH ASM.	SELECTIVE PART			1
22	M90315800A0	2-PEDAL CONNECTING CORD ASM.	SELECTIVE PART			1
23	GPK470010AB	3-PEDAL ASM.	SELECTIVE PART			1
24	M90255800A0	PEDAL SW.TRANSFER CABLE ASM.	SELECTIVE PART			1

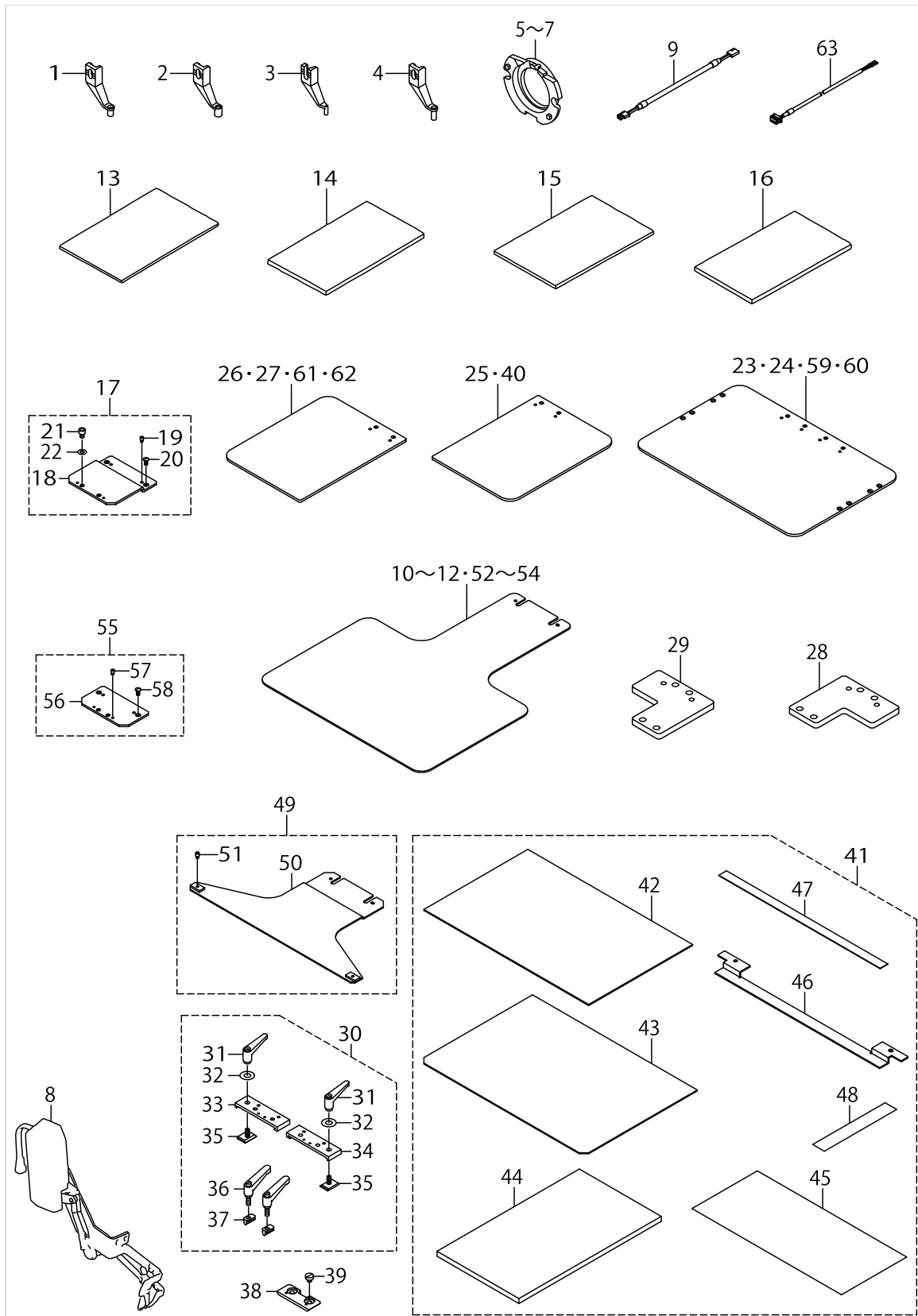
ACCESSORIE PART COMPONENTS



ACCESSORIE PART COMPONENTS

No.	Parts No.	Parts name	Remarks	Level	Cons	Qty
1	B9101221D00	GRIP				1
2	10102259	THREAD GUIDE ASM. F				1
3	B1131528000	FELT				1
4	B1170221D00	NEEDLE PLATE COVER SHEET	FOR 221D			1
5	B1626850000	ADJUSTING NUT	FOR 2△△DSL,DHL			6
6	B1806210D00	BOBBIN				1
7	B2557221000	PLASTIC BLANK	FOR 221DSS,DHS			2
8	B2559220000	HINGE PIN	FOR 2△△DSS,DHS			4
9	B2564223C00	SPONGE				1
10	B2591220000	RUBBER SHEET				1
11	B2618221000	PLASTIC BLANK	FOR 221DSL,DHL			4
12	B9101490000	DRIVER				1
13	B9101552000	ACCESSORY BOX				1
14	B9109555000	SCREW DRIVER, LARGE				1
15	B9110012000	SCREW DRIVER, MIDDLE				1
16	B9111012000	SCREW DRIVER, SMALL				1
17	B9113012000	WRENCH (9X10)				1
18	B91212200A0	OILER (CONTAINING NO.2 OIL)				1
19	B9140372000	HEXAGONAL WRENCH, SMALL				1
20	GCT02906000	HEXAGONAL SPANNER				1
21	J106600000B	HEXAGONAL WRENCH KEY (2MM)				1
22	MC200501002	NEEDLE 134 #100-2	FOR 2△△DSS,DSL			1
23	MC372001102	NEEDLE SY3355 #110-2	FOR 2△△DHS,DHL			1
24	MDP170B1802	NEEDLE DPZ17#18-2	FOR 2△△DHS,DHL			1
25	MDP500B1402	NEEDLE DPX5#14-2	FOR 2△△DSS,DSL			1
26	PB000010000	HOSE BAND				1
27	PJ309520001	SOCKET				1
28	SS1090510SP	SCREW 9/64-40 L=5	FOR 2△△DSS,DHS			4
29	SS2111010TP	SCREW 11/64-40 L=9.5	FOR 2△△DSL,DHL			6
30	SS7090410SP	SCREW 9/64-40 L= 3.5	FOR 2△△DSL,DHL			4
31	SS7090910SP	SCREW 9/64-40 L= 8.5				1
32	WP0450000SD	WASHER 4.5X8X0.5	FOR 2△△DSL,DHL			6
33	B1170215000	AUXILIARY COVER SHEET	FOR 215D			1
34	B2557215D00	PLASTIC BLANK	FOR 215DSS,DHS			2
35	B2618215D00	PLASTIC BLANK	FOR 215DSL,DHL			4

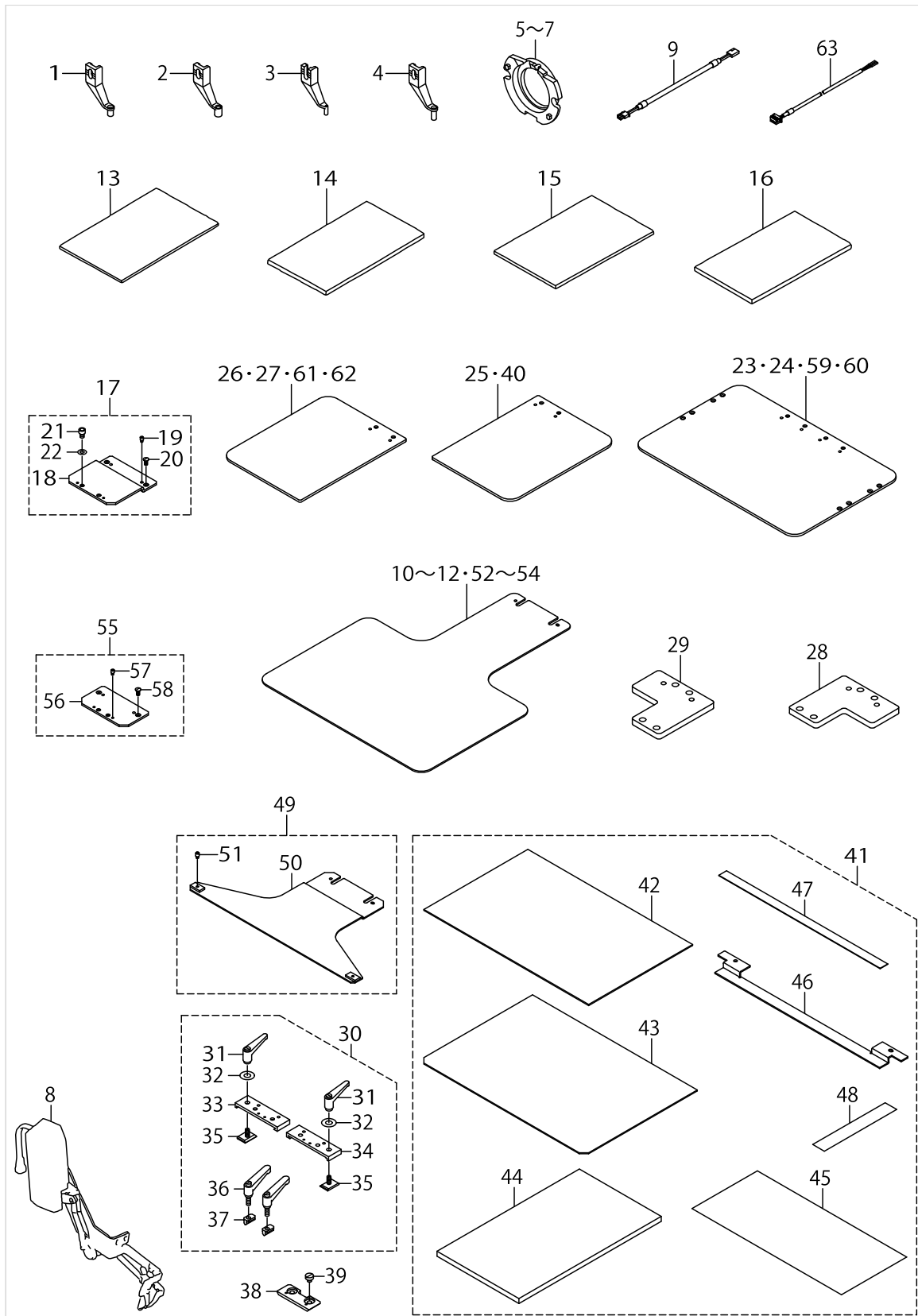
OPTIONAL PART COMPONENTS



OPTIONAL PART COMPONENTS

No.	Parts No.	Parts name	Remarks	Level	Cons	Qty
1	B1601210D0BA	INTERMEDIATE PRESSER B				1
2	B1601210D0CA	INTERMEDIATE PRESSER C				1
3	B1601210D0E	INNER PRESSER E				1
4	B1601210D0FA	INTERMEDIATE PRESSER F				1
5	B1817210DAA	SHUTTLE RACE RING COMPL.,A				1
6	B1817210DAC	SHUTTLE RACE RING ASM.,C				1
7	B1817210DAD	SHUTTLE RACE RING ASM.,D				1
8	B21202150A0	NEEDLE THREAD CLAMP DEVICE	PART TO BE USED TOGETHER			1
9	B4150210DA0	WIPER RELAY CABLE ASM.	PART TO BE USED TOGETHER			1
10	B2552221D0A	LOWER PLATE	FOR 221D			1
11	B2552221D0B	LOWER PLATE BLANK	FOR 221D			1
12	B2552221D0C	LOWER PLATE BLANK (0.5MM)	FOR 221D			1
13	B2587220000	WORK CLAMP PAPER MATERIAL (A)				1
14	B2588220000	WORK CLAMP PAPER MATERIAL (B)				1
15	B259522000A	PRESSER CLOTH SHEET				1
16	B259522000B	PRESSER CLOTH SHEET B				1
17	B2555221DAA	LOWER PLATE FIX PLATE ASM.				1
18	B2555221D0A	LOWER PLATE FIX PLATE		*		1
19	B151902600G	HINGE STUD		*		2
20	SS2111010TP	SCREW 11/64-40 L=9.5		*		2
21	SM6060802TP	SCREW M6 L=8		*		2
22	WP0611626SP	WASHER 15X6X1.6		*		2
23	B2620221000	FEEDING FRAME BLANK PLATE	FOR 221D			1
24	B2621221000	FEEDING FRAME BLANK PLATE	FOR 221D			1
25	B2622221000	FEEDING FRAME BLANK,RIGHT	FOR 221D			1
26	B2623221000	FEEDING FRAME BLANK,LEFT	FOR 221D			1
27	B2626221000	2-STEP FEEDING FRAME BLANK	FOR 221D			1
28	B2630215AA0	SLIDING PLATE ASM. RIGHT				1
29	B26302150A0	SLIDING PLATE ASM. LEFT				1
30	B26402150B0	CLAMP ASM.				1
31	B5116210000	CLAMP LEVER		*		2
32	WP0650876SD	WASHER 6.5X13X0.8		*		2
33	B26402150A0	FEEDING FRAME BLANK RIGHT		*		1
34	B2640215AA0	FEEDING FRAME BLANK LEFT		*		1
35	B26432150A0	SETTING PLATE ASM.		*		2
36	B5115210000	FEEDING FRAME CLAMP LEVER		*		2
37	B2645215000	LOWER PLATE		*		2
38	B26412150A0	SLIDE ASM.				1
39	SS6150610SP	SCREW 15/64-28 L=5.5				2
40	B2622215D00	FEEDING FRAME BLANK,RIGHT	FOR 215D			1
41	B25822210A0	CASSETTE PRESSER ASM.				1
42	B2584221000	CASSETTE PRESSER UPPER PLATE		*		1
43	B2583221000	CASSETTE PRESSER LOWER PLATE		*		1
44	B2588220000	WORK CLAMP PAPER MATERIAL (B)		*		1
45	B2646215000	TAPE		*		1
46	B2582221000	CASSETTE PRESSER BASE PLATE		*		1
47	B2589215000	CASSETTE PRESSER SPACER		*		1

OPTIONAL PART COMPONENTS



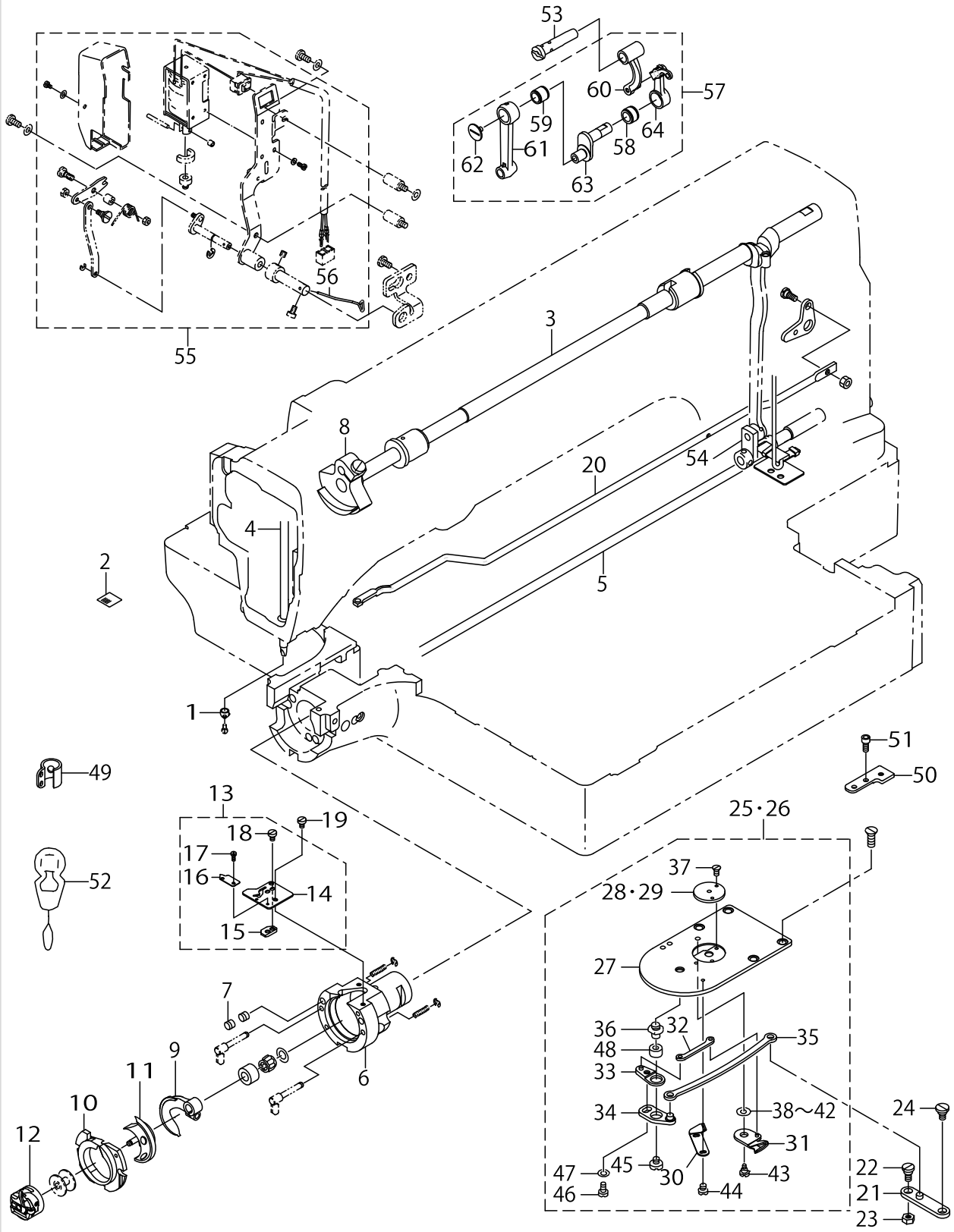
OPTIONAL PART COMPONENTS

No.	Parts No.	Parts name	Remarks	Level	Cons	Qty
48	B2572229000	FILAMENT TAPE		*		2
49	B2581221DA0	CASSETTE PRESSER FIX PLATE ASM				1
50	B2581221D00	CASSETTE PRESSER FIX PLATE		*		1
51	B2560372000	BUTTON CLAMP STOP PIN		*		2
52	B2552215D0A	LOWER PLATE BLANK	FOR 215D			1
53	B2552215D0B	LOWER PLATE BLANK	FOR 215D			1
54	B2552215D0C	LOWER PLATE BLANK(0.5MM)	FOR 215D			1
55	B2555215DA0	LOWER PLATE FIX PLATE ASM.				1
56	B2555215D00	LOWER PLATE FIX PLATE		*		1
57	B151902600G	HINGE STUD		*		2
58	SS2111010TP	SCREW 11/64-40 L=9.5		*		2
59	B2620215D00	FEEDING FRAME BLANK PLATE	FOR 215D			1
60	B2621215D00	FEEDING FRAME BLANK PLATE	FOR 215D			1
61	B2623215D00	FEEDING FRAME BLANK,LEFT	FOR 215D			1
62	B2626215D00	FEEDING FRAME BLANK	FOR 215D			1
63	B4131221DA0	UPPER SHAFT SENSOR CABLE ASM.	NECESSARY WHEN USING HD-00-19300-00(PHOTO INTERRUPTER)			1

AMS-221D/215D PERFECT STITCH EXCLUSIVE PART COMPONENTS

(Caution) Please understand that the standard stitch specifications of the current AMS-2△△D cannot be modified to the perfect stitch specifications of the AMS-2△△D.

(注 意) 現行のAMS-2△△D標準ステッチ仕様からAMS-2△△Dパーフェクトステッチ仕様へ改
 びて承下さい。



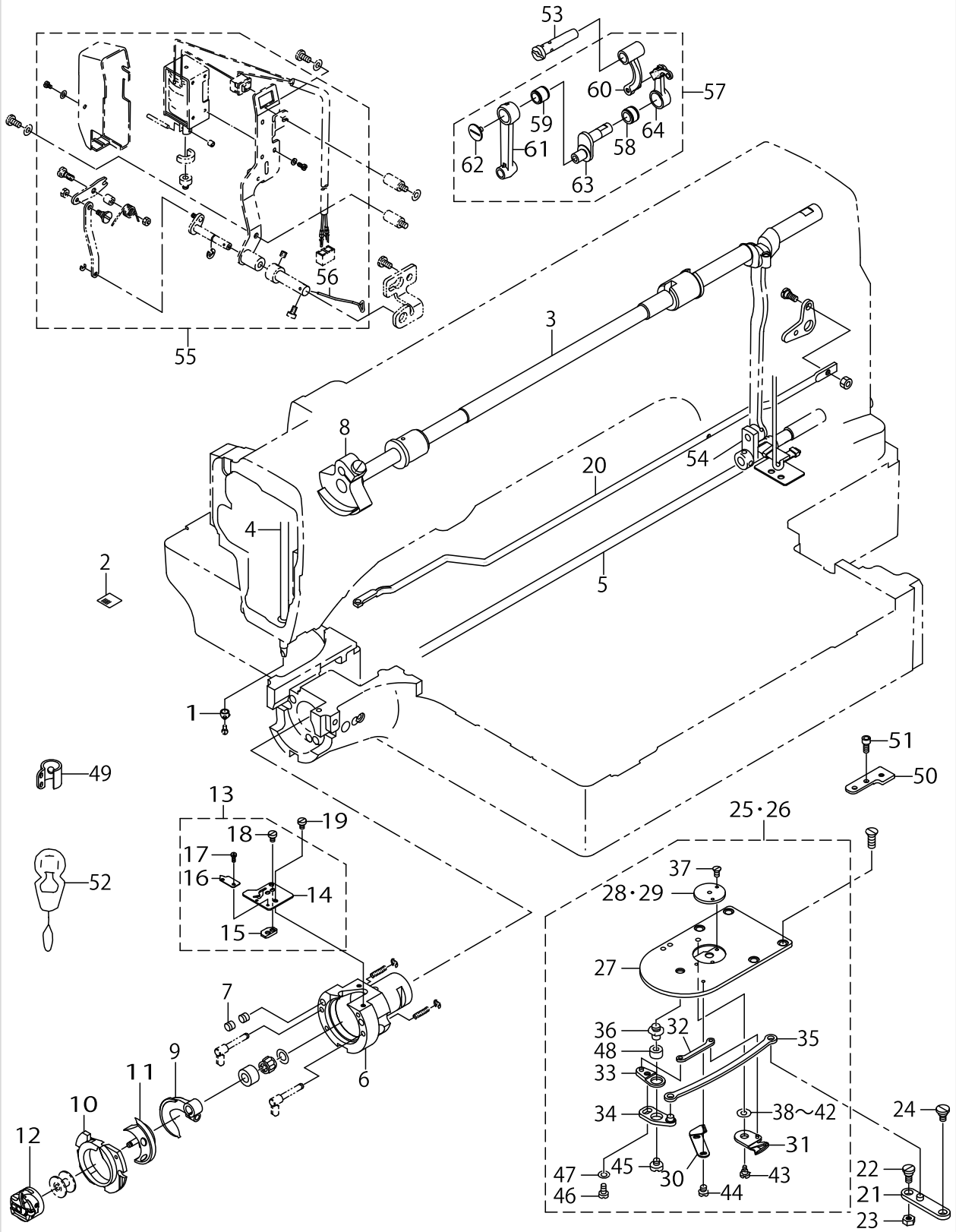
AMS-221D/215D PERFECT STITCH EXCLUSIVE PART COMPONENTS

No.	Parts No.	Parts name	Remarks	Level	Cons	Qty
1	B1406215P00	THREAD GUIDE H	FOR2△△DHS,DHL			1
2	B1191215P00	NEEDLE SETTING LABEL				1
3	B1201221D0A	MAIN SHAFT,TYPE P				1
4	B1401210D00	NEEDLE BAR,TYPE P				1
5	B1811221DAA	LOWER SHAFT GEAR COMPL.,TYPE P				1
6	B1814215P00	SHUTTLE				1
7	B1226552000	ROLLER FELT				4
8	B1206210000	COUNTERWEIGHT				1
9	B1812215P00	SHUTTLE DRIVER				1
10	B1854210DA0	P INNER HOOK PRESSER JUMCTION				1
11	B1818215P00	SHUTTLE				1
12	B1852210DA0	P BOBBIN CASE ASM.				1
13	B1816210DA0	UPPER SPRING ASM.				1
14	B1816210D00	SHUTTLE UPPER SPRING,TYPE P		*		1
15	B1840210D00	LOOP RECEIVING PLATE		*		1
16	B1841210D00	LOWER THREAD HOLDER		*		1
17	SS6060220SP	SCREW 3/32-56 L= 2.0		*		2
18	SS6090420SP	SCREW 9/64-40 L= 4.0		*		2
19	SS6090420SP	SCREW 9/64-40 L= 4.0				2
20	B2430221D00	T. TRIMMER CONNECTING BAR,P				1
21	B2430215PA0	CONNECTING ARM ASM.				1
22	SD0640326TP	HINGE SCREW				1
23	NS6110310SP	NUT 11/64-40				1
24	SD0640326TP	HINGE SCREW				1
25	B2425215PA0	NEEDLE PLATE ASM.	FOR2△△DSS,DSL			1
26	B2425215PAB	NEEDLE PLATE ASM., H	FOR2△△DHS,DHL			1
27	B2425215P00	NEEDLE PLATE		*		1
28	B2426215P0A	NEEDLE HOLE GUIDE D=1.6	FOR2△△DSS,DSL	*		1
29	B2426215P0B	NEEDLE HOLE GUIDE D=2.0	FOR2△△DHS,DHL	*		1
30	B2424215P00	COUNTER KNIFE		*		1
31	B2421215PA0	MOVING KNIFE ASM.		*		1
32	B2418215P00	MOVING KNIFE LINK		*		1
33	B2415215PA0	TRIMMING LEVER ASM. (SMALL)		*		1
34	B2414215PA0	MOVING KNIFE DRIVING LEVER ASM		*		1
35	B2432215P00	THREAD TRIMMING ROD		*		1
36	B2417280000	THREAD CUTTER LEVER SHAFT		*		1
37	SS1060210TP	SCREW 3/32-56 L=2.2		*		2
38	B242328000C	MOVING KNIFE WASHER C	SELECTIVE PART	*		1
39	B242328000D	MOVING KNIFE WASHER D	SELECTIVE PART	*		1
40	B242328000E	MOVING KNIFE WASHER E	SELECTIVE PART	*		1
41	B242328000F	MOVING KNIFE WASHER F	SELECTIVE PART	*		1
42	B242328000G	MOVING KNIFE WASHER G	SELECTIVE PART	*		1
43	B2417210000	MOVING KNIFE HINGE SCREW		*		1
44	SS7060310SP	SCREW 3/32-56 L=3		*		2
45	SS6110430TP	SCREW 11/64-40 L= 4.0		*		1
46	SS7110740TP	SCREW 11/64-40 L=7		*		1
47	WP0450846SP	WASHER		*		1

AMS-221D/215D PERFECT STITCH EXCLUSIVE PART COMPONENTS

(Caution) Please understand that the standard stitch specifications of the current AMS-2△△D cannot be modified to the perfect stitch specifications of the AMS-2△△D.

(注 意) 現行のAMS-2△△D標準ステッチ仕様からAMS-2△△Dパーフェクトステッチ仕様へ改
 びて承下さい。



AMS-221D/215D PERFECT STITCH EXCLUSIVE PART COMPONENTS

No.	Parts No.	Parts name	Remarks	Level	Cons	Qty
48	B2416280000	THREAD CUTTING LEVER RING		*		1
49	B1405221D00	THREAD GUIDE A	FOR2△△DSS,DSL			1
50	B2431215P00A	THREAD CONNECTION PLATE				1
51	SS6111052TP	SCREW				2
52	B9107761000	THREAD PASSING INSTRUMENT				1
53	B1904280000	BALANCE CRANK PIN				1
54	B1805210D0A	P LOWER SHAFT OSCILLATOR				1
55	B2107210DAA	P WIPER ASM.				1
56	B2107210D0A	P WIPER		*		1
57	B19012800B0	LINK BALANCE ASM.				1
58	B1905541000	NEEDLE BUSHING		*		1
59	B1411804000	NEEDLE DRIVING LEVER BEARING		*		1
60	B1903280000	THREAD TAKE-UP CRANK		*		1
61	B1404280000	NEEDLE BAR CRANK ROD		*		1
62	B1903552000	LEFT SCREW		*		1
63	B1203280000	NEEDLE ROD CRANK		*		1
64	B1901280000	THREAD TAKE-UP LEVER		*		1

HOW TO MAKE USE OF THIS PARTS LIST

1.Explanation of codes

1)"*"mark.....means this part is changed from the previous parts book.

As to the details of the change, refer to the "List for information of change".

2)"#01".....refer to "Note" explanation at bottom of page.

2.Codes on the "Qty" column

- Each numeral indicates the number of parts required.
- "0.1" and "2.5" indicate the length (in meters) of the respective parts.

3.Parentheses mean that the corresponding part is a subpart that constructs an assembly part.

4.Dotted lines on the Figures indicate assembly parts.

1."注記"欄の記号説明

1) "*"印.....前回のパーツブックに比較して今回変更された部品を意味します。

変更内容は、"変更情報リスト"を参照してください。

2) "#01".....ページ下の"注記"の説明を参照してください。

2.数量欄の数字は、個数を表し、0.1、2.5等の数値は、長さ（単位メートル）を表します。

3.数量欄の（ ）は、組部品を構成している子部品であることを意味します。

4.イラストページの-----枠は、組構成であることを意味します。

NUMERICAL INDEX OF PARTS

PART NO	PAGE	REF NO.	PART NO	PAGE	REF NO.	PART NO	PAGE	REF NO.
10004109	2	8	13716808	24	7	B1111232000	2	10
10102259	62	2	13717707	14	21	B1112215000	8	3-61
10502300	4	59	13816608	2	7	B1112221D00	6	3-61
10523504	18	31	13816855	18	37	B1113223C00	6	16
10618304	4	70	13817408	24	16-22	B1113224000	6	17
11006004	14	18	14107809	26	2	B1115215000	6	18
11018504	2	6	14109300	28	48	B1115232000	26	6
11023603	48	49	14113450	4	61	B11152320A0	26	3
11071602	14	22	14113468	4	60	B1116215000	2	11
11071701	14	19	14114508	12	60	B1116804000	26	47
11072402	4	55-64	16992604	30	25	B1117210D00	2	12
11072709	22	4	17007402	46	8	B1118221DA0	6	4
11110152	22	5	17700402	22	34	B1118221DAA	8	59
11110301	22	6	17833658	46	9	B1121224000	6	19
11110400	22	7	17845009	54	17	B1123210D00	2	13
11110509	22	8	22537658	4	68	B1123280000	2	14
11110608	22	9	22538151	4	74	B1125210D00	2	15
11110707	22	10	22538300	4	79	B1125215P00	2	16
11110905	22	12	22538409	4	69	B1126210000	2	17
11111051	22	13	22687701	30	27	B1129210000	2	18
11111507	22	14	22930309	50	14	B1131528000	62	3
11111804	22	16	22930358	50	1	B1132223C00	6	20
11112000	22	15	22930408	50	10	B1143210000	4	85
11155108	46	17	22930507	50	9	B1144210000	10	16
11155207	46	18	22930705	50	7	B1148555000	4	75
11158300	46	5	22930804	50	5	B1153221D00	6	5
11158409	46	6	22930903	50	4	B1154221D00	6	6
11158516	46	7	22931000	50	3	B1155221D00	6	7
11217114	10	12	22931109	50	2	B1156221D00	6	8
11217213	10	11	22931208	50	15	B1157215000	6	21
11272408	30	24	22931307	50	11	B1170215000	8	9-62
11847308	14	20	22931406	50	8	B1170215000	62	4-33
12284303	14	27	22931505	50	21	B1170221D00	6	9-62
13502109	46	19	A1230500000A	10	14	B1170221D00	62	4-33
13508700	18	34	A321600100A	4	76	B1178191000	2	19
13508809	18	35	B1103221D00	2	1	B1180221D00	6	10
13508908	18	36	B1104221D00	2	2	B1181221D00	6	11
13513205	24	5	B1105210D00	2	9	B1182221D00	6	12
13513304	24	6	B1106221D00	2	3	B1183221D00	6	13
13515200	16	52	B1107221D00	2	4	B1185221D00	8	60
13518105	46	20	B1108221D00	6	1	B1191215P00	68	2
13530209	4	91	B1108221D0A	8	58	B1193221D00	6	14
13530209	38	3	B1109221D00	2	5	B1201221D00	10	6
13530209	42	23	B1110221DA0	6	2	B1201221D0A	68	3
13551254	4	84	B1111215000	6	15	B1202210000	12	54

NUMERICAL INDEX OF PARTS

PART NO	PAGE	REF NO.	PART NO	PAGE	REF NO.	PART NO	PAGE	REF NO.
B1203215000	10	15	B1504221D00	8	55-64	B1806210D00	18	23
B1203280000	70	63	B1515210D00	20	65	B1806210D00	62	6
B1206210000	68	8	B151902600G	30	28	B1808210D00	18	26
B1206210D00	10	7	B151902600G	64	57	B1811221DA0	20	51
B1212210D00	10	10	B151902600G	66	57	B1811221DAA	68	5
B1213210D00	10	1	B1527581000A	16	54	B1812210D00	18	20
B1214210D00	10	2	B152989000CA	4	72	B1812215P00	68	9
B1215210D00	10	8	B1601210D00A	14	1	B1813980000	18	9
B1216210D00	10	9	B1601210D0BA	64	1	B1814210D00	18	6
B1223771000	10	44	B1601210D0CA	64	2	B1814215P00	68	6
B1226552000	68	7	B1601210D0E	64	3	B1814221DA0	18	5
B1230210D00	10	5	B1601210D0FA	64	4	B1815210000	20	47-48
B1231210D00	10	3	B1603210D00	14	3	B1815980000	18	47-48
B1232210D00	10	4	B1604221D00	14	2	B1816210D00	68	14
B1401210A00	10	37	B1606210D00	14	8	B1816210DA0	68	13
B1401210D00	68	4	B1607210D00	14	55	B1816280000	30	30
B1402280000	10	38	B1607210D00	16	55	B1816280000	34	53
B1403280000	10	42	B1609210D00	14	5	B1816280000	36	53
B1403372000A	34	5	B1610210D00	14	7	B1817210DAA	64	5~7
B1404280000	10	35	B161121000A	14	26	B1817210DAB	18	4
B1404280000	70	61	B1611210D00	14	16	B1817210DAC	64	5~7
B1405210000	10	39	B1612210D00	14	6	B1817210DAD	64	5~7
B1405221D00	70	49	B1620221D00	14	10	B1818210D0A	18	21-22
B1406210000	10	40	B1622221D00	14	11	B1818210D0B	18	21-22
B1406215P00	68	1	B1625220000	34	80	B1818215P00	68	11
B1407210D00	10	30	B1625220000	36	80	B1819280000	20	49
B1408180000	14	24	B1626220000	34	81	B1820210D00	18	7
B14115520A0	10	43	B1626220000	36	81	B1820215PA0A	18	16
B1411804000	10	33	B1626850000	62	5	B1821210D00	18	8
B1411804000	70	59	B1627210D00	14	15	B1822215P00	18	17
B1411804A00	18	61~64	B1629224000	14	28	B1828210D0A	18	25
B1411804A00	20	61~64	B1630210D00	14	4	B1828210DAA	18	24
B1411804B00	18	61~64	B1631210D00	14	17	B1836210D00	18	1
B1411804B00	20	61~64	B1632210D00	14	14	B1840210D00	68	15
B1411804C00	18	61~64	B1633210D00	14	12	B1841210D00	68	16
B1411804C00	20	61~64	B1634210D00	16	50	B1846221D00	18	33
B1411804D00	18	61~64	B1641562000	14	23	B1847221D00	20	59
B1411804D00	20	61~64	B1642210D00	14	13	B1849221D00	20	60
B1414232000	10	41	B1649161000	14	29	B1852210DA0	68	12
B1419026000	38	4	B1649161000	24	25	B185351200E	36	84
B1501127000	14	25	B1649161000	26	45	B1854210DA0	68	10
B1502215D00	8	54-63	B1802180000	30	29	B1901210DA0	10	29
B1502221D00	8	54-63	B1802210D00	18	32	B1901210DC0	10	28
B1504210000	34	4	B1805210D00	18	2	B1901280000	70	64
B1504215D00	8	55-64	B1805210D0A	70	54	B19012800B0	70	57

NUMERICAL INDEX OF PARTS

PART NO	PAGE	REF NO.	PART NO	PAGE	REF NO.	PART NO	PAGE	REF NO.
B1903210000	10	31	B2416280000	26	28	B2514221D00	30	6
B1903280000	70	60	B2416280000	70	48	B2516215000	36	83
B1903552000	10	34	B2417210000	26	33	B2516221D00	30	7
B1903552000	70	62	B2417210000	68	43	B2517221D00	30	8
B1904280000	10	36	B2417280000	26	42	B2518215000	36	73
B1904280000	70	53	B2417280000	68	36	B2518215A00	36	75
B1905541000	10	32	B2418215P00	68	32	B2519221D00	30	9
B1905541000	70	58	B2418280000	26	27	B2520215D00	32	10·83
B2102816000A	14	30	B2421210AA0	26	26	B2520221D00	30	10·83
B2107210D00	22	2	B2421215PA0	68	31	B2523221D00	30	11
B2107210D0A	70	56	B242328000A	26	37~40	B2525221D00	30	12
B2107210DA0	22	1	B242328000B	26	37~40	B2526223C00	30	33
B2107210DAA	70	55	B242328000C	26	37~40	B2527215000	36	74
B2110210D00	22	33	B242328000C	68	38~42	B2527221D00	30	13
B2111210D00	22	3	B242328000D	26	37~40	B2528215000	36	67
B21202150A0	64	8	B242328000D	68	38~42	B2528221D00	30	14
B2130210D00	22	11	B242328000E	68	38~42	B2529232000	6	22
B2301210D00	26	1	B242328000F	68	38~42	B2529352000	18	46
B23022050AA	24	8·9	B242328000G	68	38~42	B2530215000	36	88
B2302280000	24	13	B2424210000	26	25	B2534221D00	30	15
B23022800A0	24	8·9	B2424215P00	68	30	B2537221D00	32	90
B2303205000	26	46	B2425215000	26	22	B2540221D00	30	16
B2303280000	24	23	B2425215P00	68	27	B2541221D00	30	17
B2304205000	36	79	B2425215PA0	68	25·26	B2542221D00	30	18
B2304210D00	24	1	B2425215PAB	68	25·26	B2543221D00	30	19
B2305205000	24	11·19	B2425221DAA	26	20·21	B2544215D00	32	20·84
B2306210D00	24	3	B2425221DAB	26	20·21	B2544221D00	30	20·84
B2308221D00	24	2	B242621000A	26	23·24	B2545215D00	32	88
B2312210D00	26	15	B242621000B	26	23·24	B2547221D00	30	21
B2313280000	24	12	B2426215P0A	68	28·29	B2548215000	36	87
B2315210D00	24	4	B2426215P0B	68	28·29	B2548221D00	30	22
B2401210D00	26	14	B2430215PA0	68	21	B2550221D00	34	2
B2402210D00	26	10	B2430221D00	68	20	B2552215D00	36	1·89
B2404210DA0	26	19	B2431215P00A	70	50	B2552215D0A	66	10~12·52 ~54
B2407210D00	26	17	B2432215P00	68	35	B2552215D0B	66	10~12·52 ~54
B2408210D00	26	13	B2440210D00	26	16	B2552215D0C	66	10~12·52 ~54
B2409210D00	26	11	B2504221D00	30	1	B2552221D00	34	1·89
B2411210000	26	43	B2505221D00	30	2	B2552221D0A	64	10~12·52 ~54
B2412210D00	26	12	B2506221D00	30	3	B2552221D0B	64	10~12·52 ~54
B2413221D00	26	18	B2509224000	30	32	B2552221D0C	64	10~12·52 ~54
B2414215PA0	68	34	B2509372000A	34	7	B2552221D00	36	25·90
B24142800A0	26	31	B2512221D00	30	4			
B2415215PA0	68	33	B2513215000	34	46			
B24152800A0	26	29·30	B2513221D00	30	5			
B24162100A0	26	29·30	B2514215000	36	69			

NUMERICAL INDEX OF PARTS

PART NO	PAGE	REF NO.	PART NO	PAGE	REF NO.	PART NO	PAGE	REF NO.
B2553221000	34	25-90	B2620215D00	66	23-24-59- 60	B3213205000	10	26
B2555215D00	66	56				B3501210000	38	5
B2555215DA0	66	55	B2620221000	64	23-24-59- 60	B3502220000	38	6
B2555221D00	30	23				B3504280000	18	11
B2555221D0A	64	18	B2621215D00	66	23-24-59- 60	B3505210D00	38	7
B2555221DAA	64	17	B2621221000	64	23-24-59- 60	B3505280000	18	10
B2557215D00	62	7-34				B3506221D00	38	1
B2557221000	62	7-34	B2622215D00	64	25-40	B3507220000	38	8
B2558220000	34	26	B2622221000	64	25-40	B3507280000	38	9
B2559220000	62	8	B2623215D00	66	26-27-61- 62	B3508280000	38	12
B2560372000	66	51				B3509210D00	38	13
B2564223C00	62	9	B2623221000	64	26-27-61- 62	B3509220000	38	14
B2567215000	34	41				B3509280000	38	15
B25672150A0	34	40	B2626215D00	66	26-27-61- 62	B3510221D00	38	2
B2568223C00	34	31	B2626221000	64	26-27-61- 62	B3511221D00	40	55
B2570215000	34	16	B26302150A0	64	29	B3518280000	38	17
B2571215000	34	17	B2630215AA0	64	28	B3520220000	38	18
B2572229000	66	48	B26402150A0	64	33	B35222200A0	38	19
B2576220000	34	6	B26402150B0	64	30	B3523220000	38	20-28
B25792290A0	36	61	B2640215AA0	64	34	B3549850000	22	35
B2581221D00	66	50	B26412150A0	64	38	B4001221D00	12	55
B2581221DA0	66	49	B26432150A0	64	35	B4005221D00	42	1
B2582221000	64	46	B2645215000	64	37	B4007221D00	42	2
B25822210A0	64	41	B2646215000	64	45	B4008221D00	42	3
B2583221000	64	43	B2702210000	24	24	B4022221D00	42	4
B2584221000	64	42	B2703210000	42	21	B4110210D00A	42	7
B2587220000	64	13	B3012490000	36	86	B4120221D00	42	22
B2588220000	64	44	B3012816000	36	77	B4130221DA0A	42	5
B2589215000	64	47	B3107804000	24	15	B4131221DA0	66	63
B2591220000	62	10	B3111352000	26	8	B4150210DA0	64	9
B259522000A	64	15	B3112761000	24	10-14	B4701221DA0	44	1
B259522000B	64	16	B3114232000	24	11-19	B4702221DA0	44	7
B2604215000	36	49	B3114771000	2	20	B471122000A	16	61
B26042150A0	36	48	B3119771000	24	16-22	B471122000B	16	62
B2605215000	36	52	B3120125000	24	17	B471122000C	34	11
B26052150A0	36	51	B3123352000	26	4	B471122000D	34	12
B2606215D00	36	29-91	B3125012000	26	7	B471122000E	36	64
B2606221000	34	29-91	B3126012000	4	62	B471122000F	36	65
B2611215000	34	44	B3126012000	24	18	B471122000G	34	13
B26112150A0	34	43	B3126012000	26	5	B471122000H	34	14
B2613215000	34	38	B3132552000	24	20	B47152150A0	44	13
B26132150A0	34	37	B3204210DA0	4	67	B5115210000	64	36
B2617771000	28	53	B3204210DB0	4	66	B5116210000	64	31
B2618215D00	62	11-35	B3205210000	4	73	B8101221DA0	46	1
B2618221000	62	11-35	B3212761000	4	77	B8102221DA0	46	2

NUMERICAL INDEX OF PARTS

PART NO	PAGE	REF NO.	PART NO	PAGE	REF NO.	PART NO	PAGE	REF NO.
B8103221DA0	46	3	CQ252200000	18	19	GPK470010AB	60	23
B8110221D00	46	14	CQ252200000	38	26·35	HA000590000	22	19
B8110373N00	46	10	CS0790731SH	36	71	HA00303000A	56	59
B8115215000	46	21	CS079073ASH	14	32	HA00303000A	58	16·17
B8150221D00	46	4	CS080081CSH	20	52	HA004250000	56	60
B8160229000	46	41	CS080081CSH	26	54	HA004250000	58	16·17
B8161220000	46	42	CS080081CSH	28	54	HA004260000	60	2
B8162220000	46	22	CS100081CSP	20	50	HA004580000	42	6
B8163220000	46	43	CS100081CSP	30	35	HD000570000	42	9
B8168215000	46	23	CS1201010SH	18	3	HD00057000A	42	10
B8171223C00	46	24	CS147121ASH	10	18	HD001930000	12	56
B8201221D00	46	15	D1510491D00	14	31	HF004101000	60	16~20
B8202205000	46	25	D2112555B00	38	36	HF0041050P0	60	16~20
B8211206000	44	24	D2431555B00	24	26	HF0041080P0	60	16~20
B8267180000	2	21	D2502232D00	46	27	HK026650080	54	21
B9101221D00	62	1	D2587L8WB00	28	49	HK034610020	22	17
B9101490000	62	12	D2588L8WB00	28	50	HK034610040	44	17
B9101552000	62	13	D3112L4BB00	24	10·14	HK034610100	60	6
B9107761000	70	52	D7133555B00	4	54·63	HK034620020	28	52
B9109555000	62	14~16	D8204555D00	46	28	HK034630000	28	51
B9110012000	62	14~16	E2650453000	30	36	HK034640000	22	18
B9111012000	62	14~16	E2651453000	30	37	HK034640000	44	20
B9113012000	62	17	E8523304000	60	16~20	HK034640000	60	7
B9121012000	46	26	E9567319000	54	20	HK054250040	54	22
B91212200A0	62	18	E9607603000	56	57	HM000630010	54	23
B9140372000	62	19~21	E9613601000	60	16~20	HN001490000	56	70
BP300000000	18	15	EA9500B0100	38	37	HN00149000A	56	69
BP300000000	38	27	EA9500B0100	42	8	HW200390000	22	20
BP600000000	38	20·28	EA9500B0100	44	18	HW500070000	22	21
BT0400251EB	16	57	EA9500B0100	54	56·71~ 73·79	HX00056000B	54	24
BT0400251EB	34	63	EA9500B0100	56	56·71~ 73·79	HX00065000A	56	56·71~ 73·79
BT0400251EB	36	63	EA9500B0100	60	5	HX00123000A	2	23
BT0400251EB	44	25	EA9500B0100	60	5	HX00147000C	54	25
BT0600401EB	44	26	EA9500B0200	2	22·28	HX00150000C	38	38
CM200100001	54	18	EA9500B0200	56	56·71~ 73·79	HX00150000D	2	24·25
CM300100001	54	19·61·62	EA9502B0500	60	8	HX00150000D	38	40
CM300100101	56	19·61·62	G1216870000	12	61	HX00150000F	2	24·25
CM300200002	4	86·87	G5151171000	46	29	HX00150000H	2	26
CM3002000B2	4	86·87	G6705152U0A	56	19·61·62	HX00150000N	2	27
CM300200301	4	88·89	G8124270000	44	14	HX002230000	40	57
CM3002003A1	4	88·89	GAF01007000	10	17	HX002330000	2	22·28
CM500100001	4	90	GAT23301000	30	34	HX002330000	34	30
CQ200000000	18	14	GCT02906000	62	19~21	HX00339000D	54	26
CQ200000000	38	25·31	GPK26002000	60	10			
CQ202000000	38	24·32						

NUMERICAL INDEX OF PARTS

PART NO	PAGE	REF NO.	PART NO	PAGE	REF NO.	PART NO	PAGE	REF NO.
HX00364000E	34	24	M8607580AA0	56	76	MC200501002	62	22~25
HX004070000	54	27	M8901580BA0A	54	15·16	MC372001100	12	50~53
HX004100000	54	28	M8901580BA0A	58	22·23	MC372001102	62	22~25
J106600000B	62	19~21	M8901581AA0	54	15·16	MDP170B1800	12	50~53
KM000000130	30	38	M8901581AA0	58	22·23	MDP170B1802	62	22~25
M1001581000	56	80	M8910581000	60	11	MDP500B1400	12	50~53
M10025810A0	56	81	M90015810A0	58	1	MDP500B1402	62	22~25
M1003581000	56	82	M90025800A0	58	24	MTJMS00000S	46	30
M1004581000	56	83	M90025810A0	58	2	NM3034000SF	54	29
M1005581000	56	84	M90035810A0	58	3	NM3040520SF	54	55
M1011580000	52	10	M90045810A0	58	6	NM3040520SF	56	55
M1012580000	60	3	M90055800A0	58	25	NM6040003SC	28	55
M1014580000	54	10	M90055810A0	58	12	NM6050001SE	50	17
M10175800A0	52	14	M90065810A0	58	13	NM6050001SP	28	56
M1030580000	52	7	M90075800A0	58	26	NM6060001SC	56	63
M1031580000	52	9	M90075810A0	58	15	NM6060002SE	46	46
M10315800A0	52	8	M90085800A0	58	27	NM6080001SC	6	23
M1032580000	52	11	M90085810A0	58	4·5	NM6080721SE	44	28
M2001580000	54	11	M90095800A0	58	28	NM6100001SC	6	24
M300258000B	54	12·13	M90095810A0	58	4·5	NM6120003SE	46	11
M3003580000	60	14·15	M90105800A0	58	29	NM6160511SE	50	18
M300451100A	60	14·15	M90105810A0	58	36	NS6090310SP	2	30
M300551100A	54	12·13	M90125800A0	52	6	NS6090310SP	22	23
M300558000A	52	4·5	M90125800A0	58	37	NS6110310SP	4	65
M300558000B	52	4·5	M90125810A0	54	8	NS6110310SP	6	25
M8510580AA0	52	1·2	M9012581AA0	54	4	NS6110310SP	14	33
M8510580BA0	52	1·2	M90175800A0	58	7~9	NS6110310SP	22	24
M85105810A0	54	14	M90205800A0	58	30·31	NS6110310SP	24	27
M85205800A0	60	1	M9020580AA0	58	30·31	NS6110310SP	68	23
M85415800A0	52	13	M90215800A0	58	14	NS6110420SP	28	58
M85905130AA	60	21	M90225800A0	58	10·32·33	NS6120310SP	24	39
M85995800A0	60	12·13	M90245800A0	58	7~9	NS6120630SP	28	59
M8599580AA0	60	12·13	M90255800A0	60	24	NS6150310SP	2	31
M8601580CA0	54	1	M90275800A0A	58	10·32·33	NS6150310SP	26	9
M8601580CA0	58	18	M90285800A0	58	7~9	NS6150330SD	36	57
M8602590BA0	56	51	M90295800A0	56	49	NS6660430SP	20	53
M8602590BA0	58	34	M90315800A0	60	22	PA1602509A0	34	9
M86045920B0	54	2·3	M90315900A0	58	35	PA1602510A0	36	60
M86045920B0	58	19·20	M90325800A0	56	77·78	PA1603003A0	16	58
M8604592AB0	54	2·3	M90335800A0	56	77·78	PB000010000	62	26
M8604592AB0	58	19·20	M90345800A0	58	11	PC010508000	16	63
M86055810A0	54	6	M90355800A0	58	10·32·33	PC012401000	36	92
M86055810A0	58	21	M964051000A	56	58	PF0552040B0	44	15
M86065800A0	52	3	MAO11532000	56	74	PF070501000	44	8
M86065800A0	58	38	MC200501000	12	50~53	PJ032052503	36	62

NUMERICAL INDEX OF PARTS

PART NO	PAGE	REF NO.	PART NO	PAGE	REF NO.	PART NO	PAGE	REF NO.
PJ046052503	16	59	SD0791271SP	32	85	SL9061293SE	46	12
PJ046052503	34	10	SD0800331TH	14	35	SL9082093SE	44	23
PJ301040505	44	9	SD0800341SP	16	56	SL9082093SE	46	13
PJ301060003	44	30	SD0800402TP	14	36	SM0040601SC	54	47
PJ305065202	44	16	SD0801021TP	20	55	SM1044050SM	56	48
PJ308040002	44	31	SD1100301TP	28	62	SM3065052TC	56	66
PJ309520001	62	27	SK1382501SE	46	33	SM4030401SC	6	28
PS0150065KP	6	26	SK3311600SC	46	35	SM4030601SN	22	31
PS0150065KP	34	42	SK3311601SE	46	36	SM4031851SR	54	39
PS0400142KH	10	13	SK3382001SE	56	64	SM4041055SP	32	51
PV150209000	44	10	SK3413201SE	52	15	SM4041801SN	32	52
PV150209100	44	11	SK3452500SC	46	37	SM4051055SP	32	53
PV915005000	44	12	SK3512001SF	56	75	SM4051405SE	50	12
PX500020000	16	60	SL4030681SF	54	50	SM6030602TP	32	54
PX950009000	44	19	SL4030681SF	56	50	SM6030802TP	32	62·87
RC0560711KP	4	81	SL4030891SC	54	35	SM6040602TP	28	63
RE0250000K0	22	25	SL4031091SC	42	12	SM6040602TP	42	16
RE0300000K0	18	18	SL4040681SC	54	36	SM6040802TP	20	67
RE0300000K0	34	82	SL4040881SC	2	33	SM6040802TP	32	91
RE0300000K0	36	82	SL4040881SF	54	34	SM6040802TP	38	41
RE0320000K0	34	36	SL4040881SF	60	9	SM6041002TP	32	59
RE0500000K0	4	71	SL4040891SC	2	92	SM6041202TP	20	66
RE0500000K0	14	34	SL4040891SC	4	92	SM6041202TP	32	61
RE0500000K0	22	26	SL4040891SC	38	43	SM6041402TP	28	64
RE0700000K0	46	32	SL4040891SC	44	21	SM6041402TP	32	62·87
RE0900000K0	20	54	SL4041081SF	54	38	SM6041602TP	32	60
RO092270200	4	80	SL4041091SC	2	41	SM6051802TP	34	47
RO137230100	10	46	SL4041091SC	54	65	SM6060802TP	34	23
S9622710000	54	31	SL4041091SC	56	65	SM6060802TP	64	21
SB108000500	30	40	SL4041281SC	2	42	SM6061202TP	14	40
SB110001300	30	41	SL4041281SF	54	44	SM6061610SC	50	6
SB130000200	30	42	SL4041291SC	12	57	SM6107002TP	6	29
SB130000300	30	43	SL4051081SF	54	45	SM7030450SC	6	30
SB412000100	30	44	SL4051091SC	44	22	SM8040412TP	16	48
SD0500803TP	28	60	SL4061091SC	10	19	SM8050412TP	32	64
SD0530221SP	24	28	SL6040642TN	30	46	SM8050812TP	32	65
SD0600341TP	16	53	SL6040892TN	30	86	SM8050812TP	34	33
SD0640326TP	68	24	SL6040892TN	32	86	SM8060602TP	14	47
SD0640391TP	24	30	SL6040892TN	42	14	SM8060602TP	32	67
SD0640482SP	24	31	SL6041692TN	10	23	SM8060612TP	10	20
SD0650305TP	28	61	SL6041692TN	32	48	SM8060802TP	32	68
SD0650321TP	22	29	SL6052092TN	32	49	SM8060812TP	10	25
SD0720321TP	24	29	SL6053592TN	32	50	SM8060812TP	32	70
SD0790402TP	14	37	SL6062092TN	34	32	SM8061612TP	12	59
SD0791271SP	30	85	SL9061291SE	6	27	SM9041050SC	56	52

NUMERICAL INDEX OF PARTS

PART NO	PAGE	REF NO.	PART NO	PAGE	REF NO.	PART NO	PAGE	REF NO.
SM9061003CP	8	56	SS6120940SP	24	32	SS8110422TP	36	78
SM9061403SC	46	47	SS6121010SP	34	70	SS8110510SP	10	24
SM9087523SE	6	31	SS6121010SP	36	70	SS8111610SP	10	27
SS1060210TP	26	32	SS6121212TP	20	57	SS8120740SP	24	35
SS1060210TP	68	37	SS6150610SP	64	39	SS8150822TP	6	42
SS1090510SP	62	28	SS6151220SP	20	58	SS8150822TP	18	29
SS1110640TP	14	38	SS6151412TP	10	21	SS8150822TP	28	68
SS1110640TP	28	65	SS6151812TP	24	33	SS8150822TP	36	54
SS1110840SP	6	33	SS6681712TP	10	22	SS8151550SP	10	45
SS2110710TP	6	34	SS7060310SP	68	44	SS8660610TP	12	49
SS2111010TP	32	89	SS7080510TP	10	47	SS8660610TP	14	46
SS2111010TP	62	29	SS7090410SP	26	36	SS8661012TP	28	69
SS2111010TP	64	58	SS7090410SP	62	30	SS9110920CP	6	43
SS2111010TP	66	58	SS7090620TP	24	34	SS9121010TP	6	44
SS4090715SP	2	43	SS7090850SP	42	18	SS9151120CP	36	55
SS4110715SP	38	45	SS7090910SP	14	41	SS9151120CP	46	40
SS4110915SP	6	35	SS7090910SP	62	31	SS9661230CP	12	48
SS4111015SP	2	44	SS7091110SP	14	42	ST4031051SN	52	12
SS4111815SP	32	72	SS7110410SP	46	39	ST5041051SN	60	4
SS4120615SP	6	36	SS7110510SP	18	27	TA0750704R0	4	50
SS4120615SP	38	47	SS7110510SP	34	27	TA0850604R0	4	51
SS4120915SP	12	58	SS7110570SP	8	57	TA1050504R0	4	52
SS4120915SP	28	67	SS7110570SP	32	74	TA1050504R0	46	16
SS4120915SP	40	48	SS7110710SP	34	19	TA1250406R0	4	55-64
SS4150915SP	2	45	SS7110710SP	40	53	TA1850805R0	4	57
SS6060220SP	68	17	SS7110710SP	42	19	TA2100904R0	4	58
SS6060410TP	20	56	SS7110740TP	26	34	WP0320500SD	32	75
SS6090420SP	68	19	SS7110740TP	68	46	WP0320501SC	22	32
SS6090440SP	18	12	SS7110840SP	2	47	WP0320501SD	32	76
SS6090620SP	4	82	SS7110840SP	18	28	WP0330501SB	6	45
SS6090620TP	22	27	SS7110840SP	22	36	WP0430800SC	16	51
SS6090630SP	2	46	SS7110840SP	40	56	WP0430800SC	32	93
SS6092120SP	40	51	SS7110840SP	42	24	WP0430800SC	56	53
SS6110430TP	26	35	SS7110910SP	22	37	WP0430800SD	42	20
SS6110430TP	68	45	SS7110910TP	6	39	WP0430801SC	32	82
SS6110510SP	46	38	SS7111110TP	18	30	WP0450000SD	40	54
SS6110520TP	36	85	SS7111120TP	6	41	WP0450000SD	62	32
SS6110610TP	6	38	SS7111410TP	6	40	WP0450801SD	6	47
SS6110610TP	14	39	SS7121110SP	14	43	WP0450801SD	22	38
SS6110610TP	42	17	SS7150910TP	4	48	WP0450801SD	32	79
SS6111052TP	70	51	SS7150910TP	36	56	WP0450801SD	34	28
SS6111140SP	4	83	SS7151210SP	14	44	WP0450846SP	26	41
SS6111140SP	24	36	SS8090610SP	24	21	WP0450846SP	32	80
SS6111140SP	32	73	SS8110422TP	4	78	WP0450846SP	68	47
SS6111140SP	40	52	SS8110422TP	22	28	WP0482086SD	22	39

NUMERICAL INDEX OF PARTS

PART NO	PAGE	REF NO.
WP0482086SD	24	37
WP0482086SD	32	78
WP0501016SC	52	16
WP0501016SD	28	70
WP0501016SD	32	81
WP0501016SD	34	35
WP0520656SA	8	50
WP0611626SP	16	49
WP0611626SP	36	93
WP0611626SP	64	22
WP0641601SC	46	45
WP0650876SD	36	68
WP0650876SD	64	32
WP0651001SC	56	67
WP0651056SD	24	38
WP0651056SD	36	59
WP0704016SP	48	50
WP0820526SD	28	71
WP0820816SD	36	76
WP0820816SD	48	48
WP0841600SE	46	44
WP0851846SC	8	51
WP0871602SE	44	29
WP0952616SD	18	13
WP1052001SC	8	52
WP1702600S0	50	19
WS0310002KR	22	22
WS0310702KS	54	40
WS0410002KN	32	92
WS0510002KN	50	16
WS0610002KN	56	68
WS1020002KN	8	53
WS1643202KR	50	20