

MODEL : FU-02S/FU-02L

List No : 1247-01

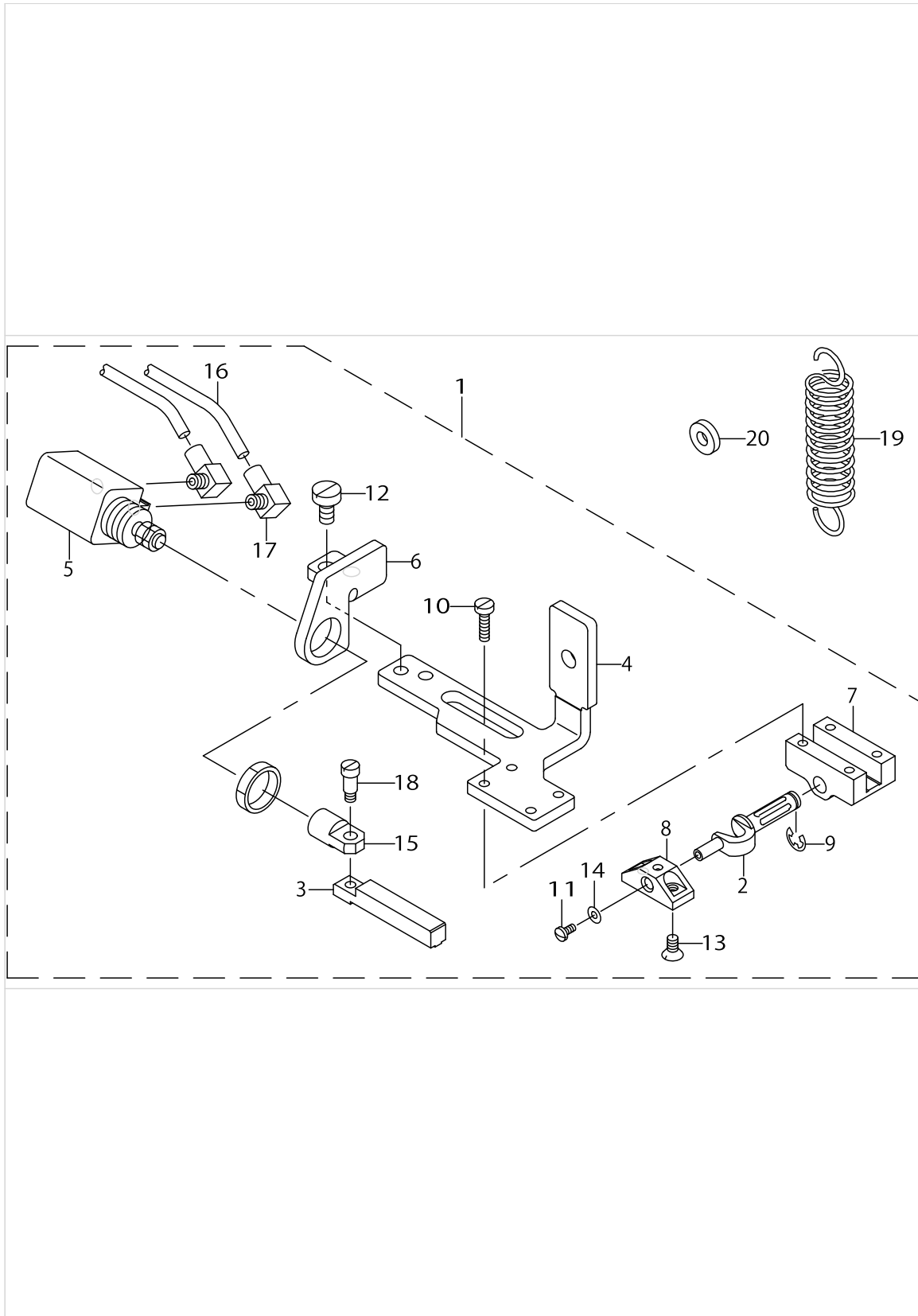
PARTS LIST

Published:09/10/2017

CONTENTS

TURN AROUND MECHANISM CMPONENTS (1).....	1
TURN AROUND MECHANISM CMPONENTS (2).....	3
PNEUMATIC COMPONENTS (FOR FU-02S).....	5
PNEUMATIC COMPONENTS (FOR FU-02L).....	7
HOW TO MAKE USE OF THIS PARTS LIST	9

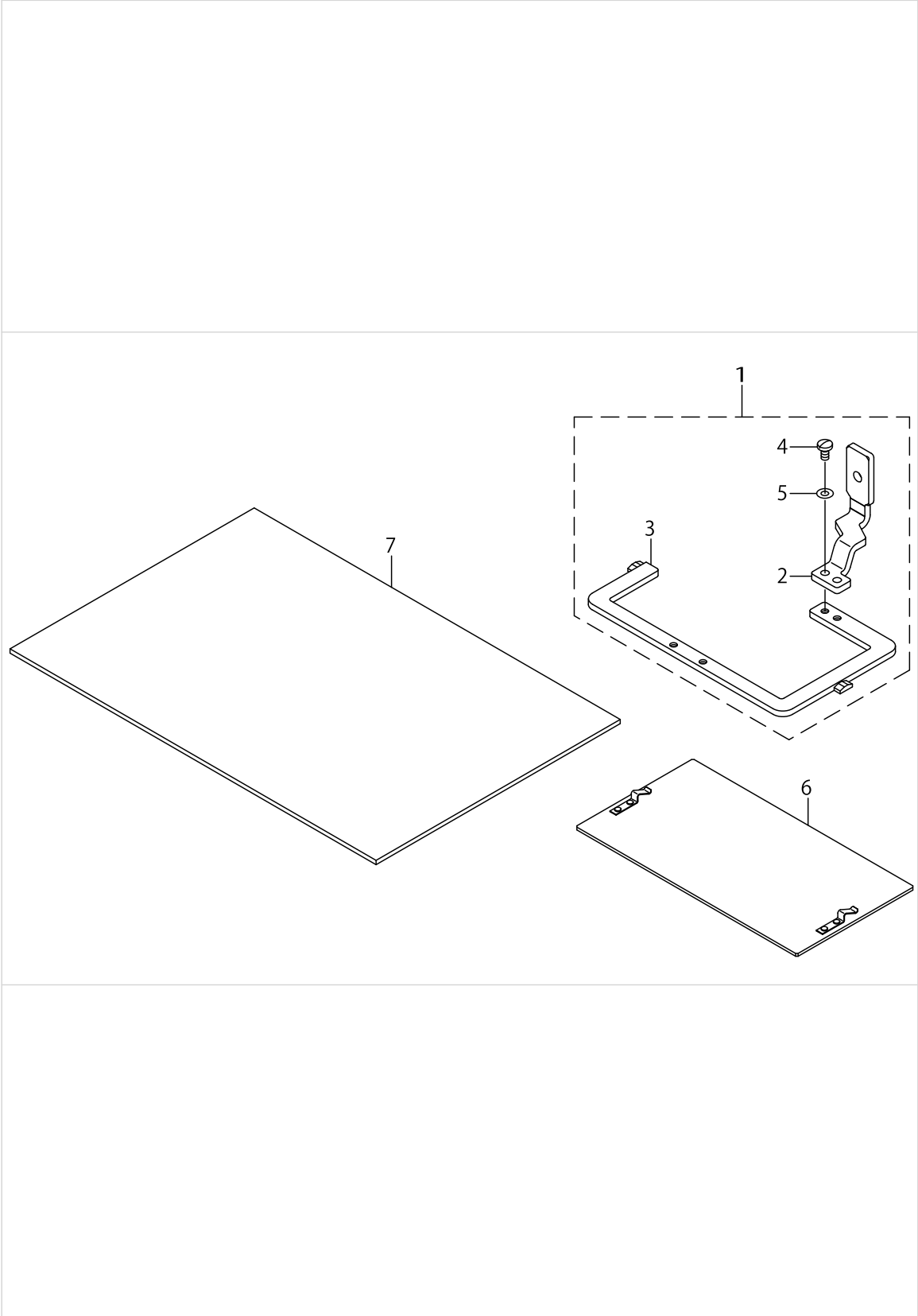
TURN AROUND MECHANISM COMPONENTS (1)



TURN AROUND MECHANISM COMPONENTS (1)

No.	Parts No.	Parts name	Remarks	Level	Cons	Qty
1	GFU020030A0	INNER PRESSER SLIDE PLATE ASM.				1
2	GFU01001000	TURN AROUND CRANK SHAFT		*		1
3	GFU01002000	INVERTING LAC		*		1
4	GFU01003000	INNER PRESSER SLIDE PLATE		*		1
5	PA1600801A0	AIR CYLINDER		*		1
6	GFU01006000	TURN CYLINDER BRACKET		*		1
7	B4303210000	TURN AROUND CRANK BEARING		*		1
8	B4314210000	INTERMEDIATE PRESSER BASE		*		1
9	RE0400000K0	E-RING 4		*		1
10	SS6081210SP	SCREW 1/8-44 L=12		*		4
11	SS7060610SP	SCREW 3/32-56 L= 5.5		*		1
12	SS6120940SP	SCREW 3/16-28 L=9		*		2
13	SS1090750SP	SCREW 9/64-40 L=7		*		2
14	WP0250516SD	WASHER 2.5X6X0.5		*		1
15	B4306220000	KNUCKLE		*		1
16	BT0400251EB	URETHANE HOSE, BLACK		*		1.3
17	PJ046052503	HOSE ELBOW		*		2
18	SD0460703TP	HINGE SCREW D=4.6 H=7		*		1
19	B2583212000	SPRING	FOR FU-02S			1
20	WP0502616SD	WASHER				1

TURN AROUND MECHANISM CMPONENTS (2)



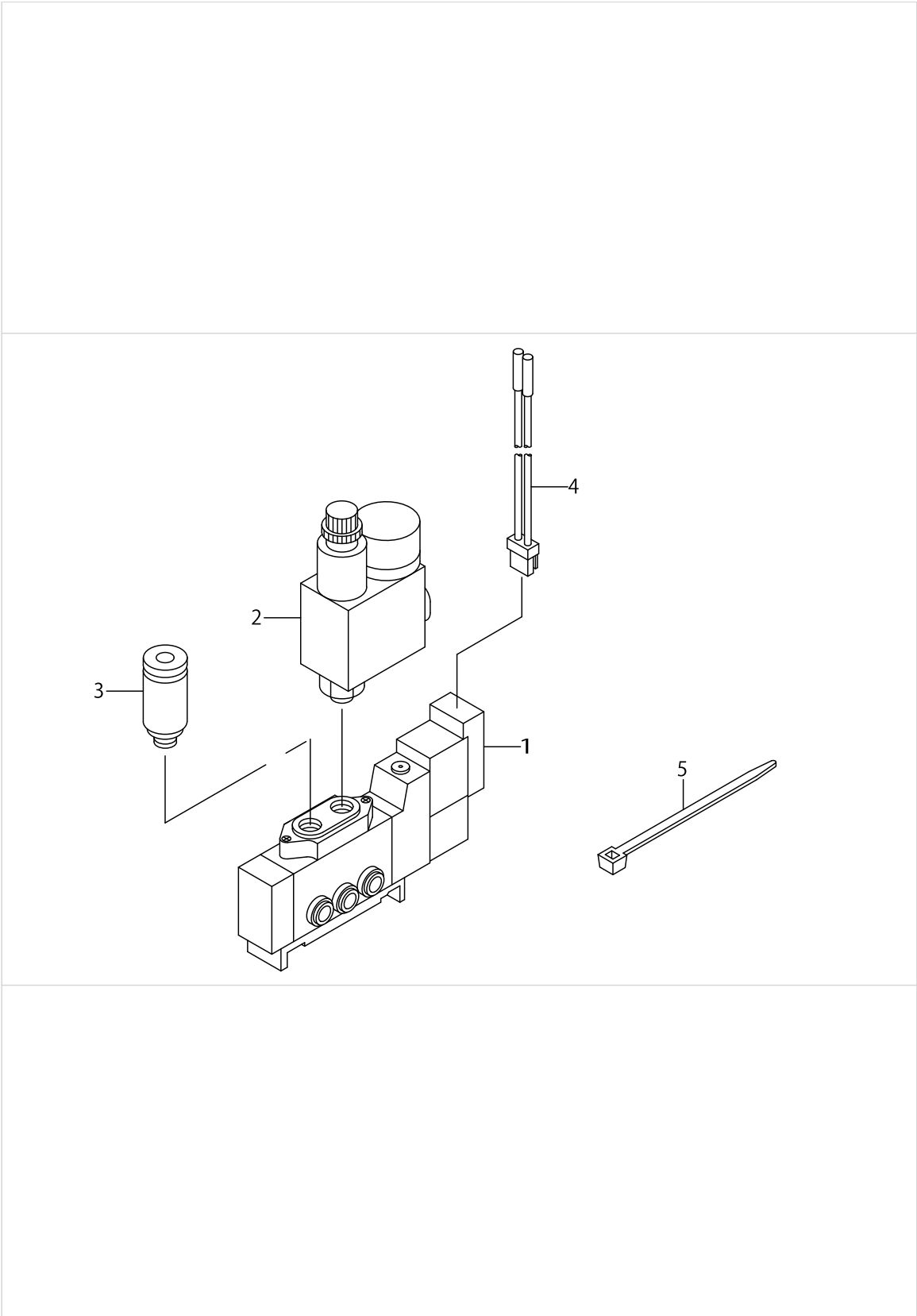
TURN AROUND MECHANISM COMPONENTS (2)

No.	Parts No.	Parts name	Remarks	Level	Cons	Qty
1	GFU020010A0	OUTER PRESSER SLIDE PLATE ASM.				1
2	GFU02001000	OUTER PRESSER SLIDE PLATE		*		1
3	GFU02002000	FEEDING FRAME		*		1
4	SS7110840SP	SCREW 11/64-40 L=7.8		*		2
5	WP0480856SP	WASHER 4.8X8.4X0.8		*		2
6	B2557210DA0	PLASTIC BLANK PLATE ASM.				2
7	B2564215000	SPONGE				1

PNEUMATIC COMPONENTS (FOR FU-02S)

No.	Parts No.	Parts name	Remarks	Level	Cons	Qty
1	PV150209000	5 PORT SOLENOID VALVE				1
2	PV915005000	SOLENOID VALVE INSTALLING BASE				1
3	PX050003000	SILENCER				1
4	PJ304060001	ELBOW				1
5	BT0600401EB	TUBE				1.3
6	SL4051091SC	SCREW M5X0.8 L=10				2
7	B47152150A0	FILTER REGULATOR ASM.				1
8	G8124270000	AIR PRESSUE SWITCH		*		1
9	PJ309005203	QUICK JOINT PLUG		*		1
10	G5430116000	AIR COCK		*		1
11	PF0552040B0	FILTER REGULATOR		*		1
12	PJ030520001	RING JOINT (NIPPLE)		*		1
13	PJ305065202	TEE		*		1
14	HK034610040	HOUSING		*		1
15	EA9500B0100	CABLE BAND		*		5
16	PX950009000	PLUG		*		1
17	HK034640000	PIN CONTACT		*		3
18	B8211206000	FILTER INSTALLING PLATE				1
19	14204853	SOLENOID VALVE CABLE ASM.				1
20	M90145800A0	RELAY CABLE ASM.				1
21	SL9082093SE	SCREW				1
22	WP0871602SE	WASHER 8.7X18X1.6				1
23	NM6080721SE	NUT M8				1
24	EA9500B0100	CABLE BAND				3
25	PJ309520001	SOCKET				1
26	PB000010000	HOSE BAND				1
27	GFU020040A0	SOLENOID VALVE CONVERT CABLE				1
28	SK3412001SE	WOOD SCREW D=4.1 L=20				2

PNEUMATIC COMPONENTS (FOR FU-02L)



PNEUMATIC COMPONENTS (FOR FU-02L)

No.	Parts No.	Parts name	Remarks	Level	Cons	Qty
1	PV150209100	SOLENOID VALVE				1
2	PF0205030A0	REGULATOR				1
3	PJ301040505	HALF UNION				1
4	14204754	SOLENOID VALVE CONNECTOR ASM.				1
5	EA9500B0100	CABLE BAND				3

HOW TO MAKE USE OF THIS PARTS LIST

1.As to "#01" and "#02" refer to the "Note" given at the bottom of the respective pages.

2.Codes on the "Qty" column

- Each numeral indicates the number of parts required.
- "0.1" and "2.5" indicate the length (in meters) of the respective parts.

3.Parentheses mean that the corresponding part is a subpart that constructs an assembly part.

4.Dotted lines on the Figures indicate assembly parts.

1. リストページの# 0 1、# 0 2の印は、ページ下の"注記"の説明を参照下さい。
2. 数量欄の数字は、個数を表し、0. 1、2. 5等の数値は、長さ（単位メートル）を表します。
3. 数量欄の（ ）は、組部品を構成している子部品であることを意味します。
4. イラストページの-----枠は、組構成であることを意味します。

NUMERICAL INDEX OF PARTS

PART NO	PAGE	REF NO.	PART NO	PAGE	REF NO.
14204754	8	4	RE040000K0	2	9
14204853	6	19	SD0460703TP	2	18
B2557210DA0	4	6	SK3412001SE	6	28
B2564215000	4	7	SL4051091SC	6	6
B2583212000	2	19	SL9082093SE	6	21
B4303210000	2	7	SS1090750SP	2	13
B4306220000	2	15	SS6081210SP	2	10
B4314210000	2	8	SS6120940SP	2	12
B47152150A0	6	7	SS7060610SP	2	11
B8211206000	6	18	SS7110840SP	4	4
BT0400251EB	2	16	WP0250516SD	2	14
BT0600401EB	6	5	WP0480856SP	4	5
EA9500B0100	6	24	WP0502616SD	2	20
EA9500B0100	8	5	WP0871602SE	6	22
G5430116000	6	10			
G8124270000	6	8			
GFU01001000	2	2			
GFU01002000	2	3			
GFU01003000	2	4			
GFU01006000	2	6			
GFU02001000	4	2			
GFU020010A0	4	1			
GFU02002000	4	3			
GFU020030A0	2	1			
GFU020040A0	6	27			
HK034610040	6	14			
HK034640000	6	17			
M90145800A0	6	20			
NM6080721SE	6	23			
PA1600801A0	2	5			
PB000010000	6	26			
PF0205030A0	8	2			
PF0552040B0	6	11			
PJ030520001	6	12			
PJ046052503	2	17			
PJ301040505	8	3			
PJ304060001	6	4			
PJ305065202	6	13			
PJ309005203	6	9			
PJ309520001	6	25			
PV150209000	6	1			
PV150209100	8	1			
PV915005000	6	2			
PX050003000	6	3			
PX950009000	6	16			