

MODEL : T051

List No : 1245-02

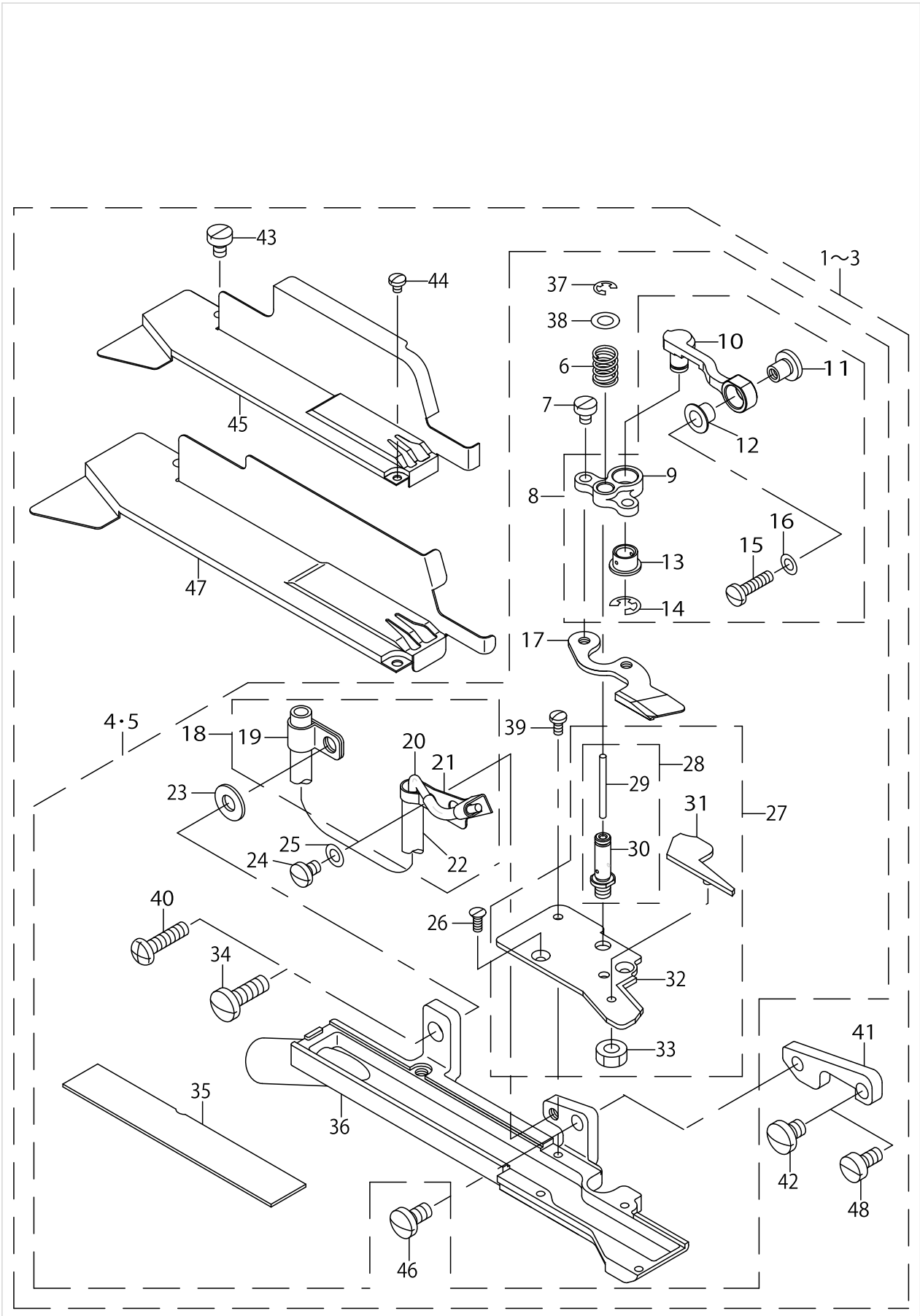
PARTS LIST

Published:09/10/2017

CONTENTS

PNEUMATIC FLAT CUTTER (T051)	1
HOW TO MAKE USE OF THIS PARTS LIST	5

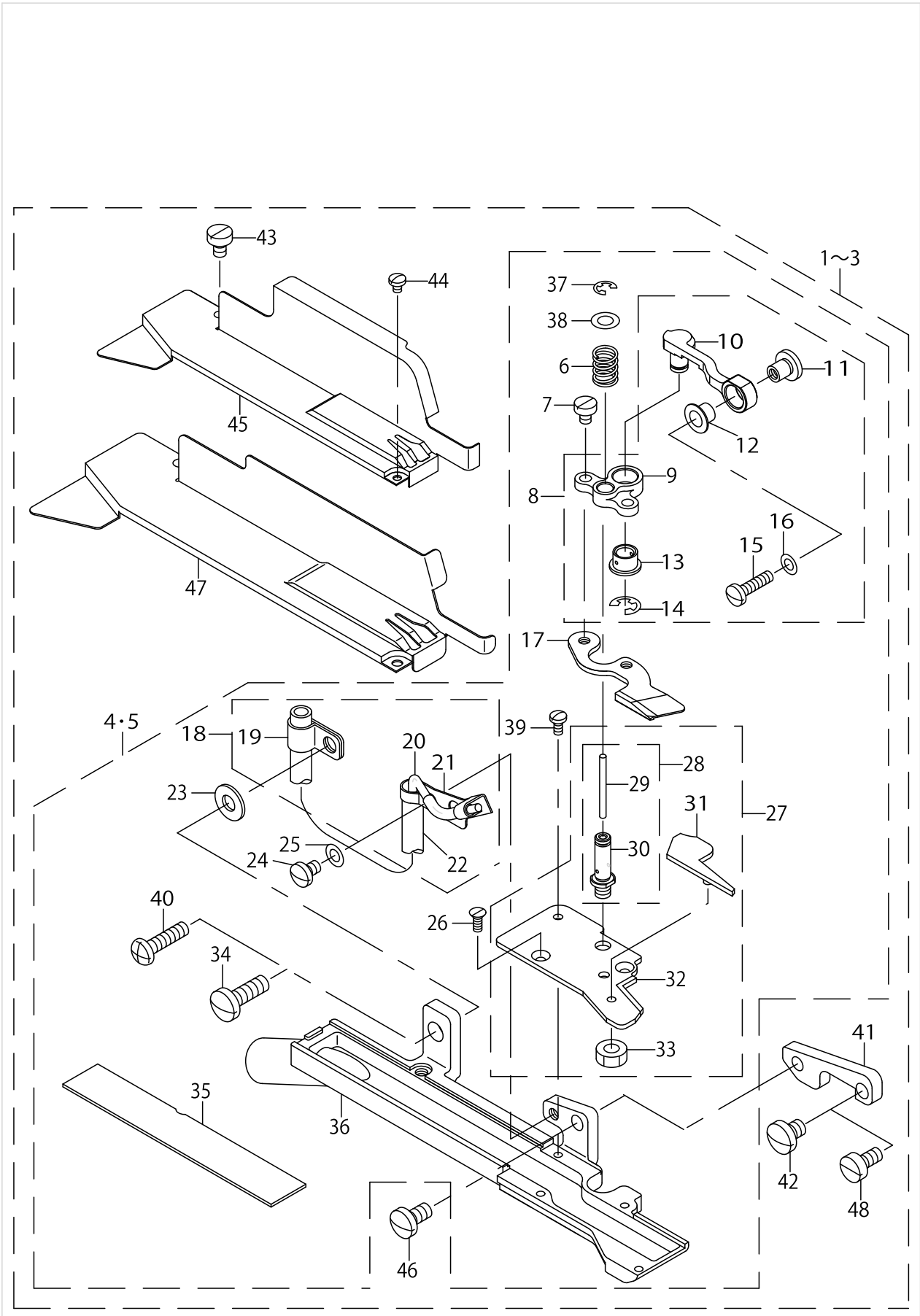
PNEUMATIC FLAT CUTTER (T051)



PNEUMATIC FLAT CUTTER (T051)

No.	Parts No.	Parts name	Remarks	Level	Cons	Qty
1	MAT051000A0	PNEUMATIC FLAT CUTTER ASM.	FOR MO-3Δ00 SERIES			1
2	MAT051000AB	PNEUMATIC FLAT CUTTER ASM.	FOR MOR-3900			1
3	MAT051000AC	PNEUMATIC FLAT CUTTER ASM.	FOR MO-3300			1
4	MAT051010A0	KNIFE PLATE ASM.	FOR MO-3Δ00SERIES,MOR-3900	*		1
5	MAT051010AA	KNIFE PLATE ASM.	FOR MO-3300	*		1
6	MAT03509000	SPRING		*		1
7	SS6080410SP	SCREW 1/8-44 L=4		*		2
8	MAT051050A0	MOVING KNIFE BRACKET ASM.		*		1
9	MAT05105000	MOVING KNIFE BRACKET		*		1
10	MAT05106000	KNIFE DRIVING LINK		*		1
11	MAT05107000	KNIFE DRIVING LINK BRACKET		*		1
12	MAT03510000	KNIFE DRIVING LINK PIECE		*		1
13	MAT03510000	KNIFE DRIVING LINK PIECE		*		1
14	RE0400000K0	E-RING 4		*		1
15	SS7081310SP	SCREW 1/8-44 L=12.5		*		1
16	WP0371016SD	WASHER 3.7X8X1		*		1
17	MAT05102000	MOVING KNIFE		*		1
18	MAT051080A0	OIL TUBE ASM.		*		1
19	MAT03516000	OIL TUBE HOLDER		*		1
20	MAT035140A0	OIL TUBE ASM.		*		1
21	MAT05108000	OIL TUBE HOLDER		*		1
22	BP400000000	VINYL TUBE, WHITE D=4		*		0.1
23	WP0502616SD	WASHER		*		1
24	SS7090520TP	SCREW 9/64-40 L= 4.5		*		1
25	WP0371016SD	WASHER 3.7X8X1		*		1
26	SS1060610SP	SCREW 3/32-56 L=5.5		*		2
27	MAT051030A0	FIXED KNIFE ASM.		*		1
28	MAT051040A0	MOVING KNIFE SHAFT ASM.		*		1
29	CQ202000000	OIL WICK		*		0.1
30	MAT05104000	KNIFE BAR DRIVING SHAFT		*		1
31	MAT05109000	AIR LEAL STOPPER		*		1
32	MAT05103000	FIXED KNIFE		*		1
33	NS6110310SP	NUT 11/64-40		*		1
34	SS7121410TP	SCREW 3/16-28 L=14	FOR MO-3Δ00SERIES,MOR-3900	*		1
35	MAT03518000	KNIFE PLATE COVER		*		1
36	MAT05101000	KNIFE PLATE		*		1
37	RE0300000K0	E-RING 3		*		1
38	WP0450000SD	WASHER 4.5X8X0.5		*		1
39	SS7060510SP	SCREW 3/32-56 L=4.8		*		1
40	SM4041655SP	SCREW M4 L=16	FOR MO-3300	*		1
41	MAT04102000	KNIFE PLATE		*		1
42	SS7120640SP	SCREW 3/16-28 L=6	FOR MO-3Δ00SERIES,MOR-3900	*		1
43	SS6090520SP	SCREW 9/64-40 L= 5.0		*		1
44	SS7060310SP	SCREW 3/32-56 L=3		*		1
45	MAT04101000	KNIFE PLATE COVER	FOR MO-3Δ00 SERIES	*		1
46	SS7110840SP	SCREW 11/64-40 L=7.8		*		1
47	MAT04105000	KNIFE PLATE COVER	FOR MOR-3900,MO-3300	*		1

PNEUMATIC FLAT CUTTER (T051)



PNEUMATIC FLAT CUTTER (T051)

No.	Parts No.	Parts name	Remarks	Level	Cons	Qty
48	SM6040800SP	SCREW	FOR MO-3300	*		1

HOW TO MAKE USE OF THIS PARTS LIST

1.As to "#01" and "#02" refer to the "Note" given at the bottom of the respective pages.

2.Codes on the "Qty" column

- Each numeral indicates the number of parts required.
- "0.1" and "2.5" indicate the length (in meters) of the respective parts.

3.Parentheses mean that the corresponding part is a subpart that constructs an assembly part.

4.Dotted lines on the Figures indicate assembly parts.

1. リストページの# 0 1、# 0 2の印は、ページ下の"注記"の説明を参照下さい。
2. 数量欄の数字は、個数を表し、0. 1、2. 5等の数値は、長さ（単位メートル）を表します。
3. 数量欄の（ ）は、組部品を構成している子部品であることを意味します。
4. イラストページの-----枠は、組構成であることを意味します。

NUMERICAL INDEX OF PARTS

PART NO	PAGE	REF NO.	PART NO	PAGE	REF NO.
BP40000000	2	22	WP0502616SD	2	23
CQ20200000	2	29			
MAT03509000	2	6			
MAT03510000	2	13			
MAT035140A0	2	20			
MAT03516000	2	19			
MAT03518000	2	35			
MAT04101000	2	45			
MAT04102000	2	41			
MAT04105000	2	47			
MAT051000A0	2	1~3			
MAT051000AB	2	1~3			
MAT051000AC	2	1~3			
MAT05101000	2	36			
MAT051010A0	2	4·5			
MAT051010AA	2	4·5			
MAT05102000	2	17			
MAT05103000	2	32			
MAT051030A0	2	27			
MAT05104000	2	30			
MAT051040A0	2	28			
MAT05105000	2	9			
MAT051050A0	2	8			
MAT05106000	2	10			
MAT05107000	2	11			
MAT05108000	2	21			
MAT051080A0	2	18			
MAT05109000	2	31			
NS6110310SP	2	33			
RE0300000K0	2	37			
RE0400000K0	2	14			
SM4041655SP	2	40			
SM6040800SP	4	48			
SS1060610SP	2	26			
SS6080410SP	2	7			
SS6090520SP	2	43			
SS7060310SP	2	44			
SS7060510SP	2	39			
SS7081310SP	2	15			
SS7090520TP	2	24			
SS7110840SP	2	46			
SS7120640SP	2	42			
SS7121410TP	2	34			
WP0371016SD	2	25			
WP0450000SD	2	38			