

MODEL : LK-1910/LK-1920

List No : 1243-10

# PARTS LIST

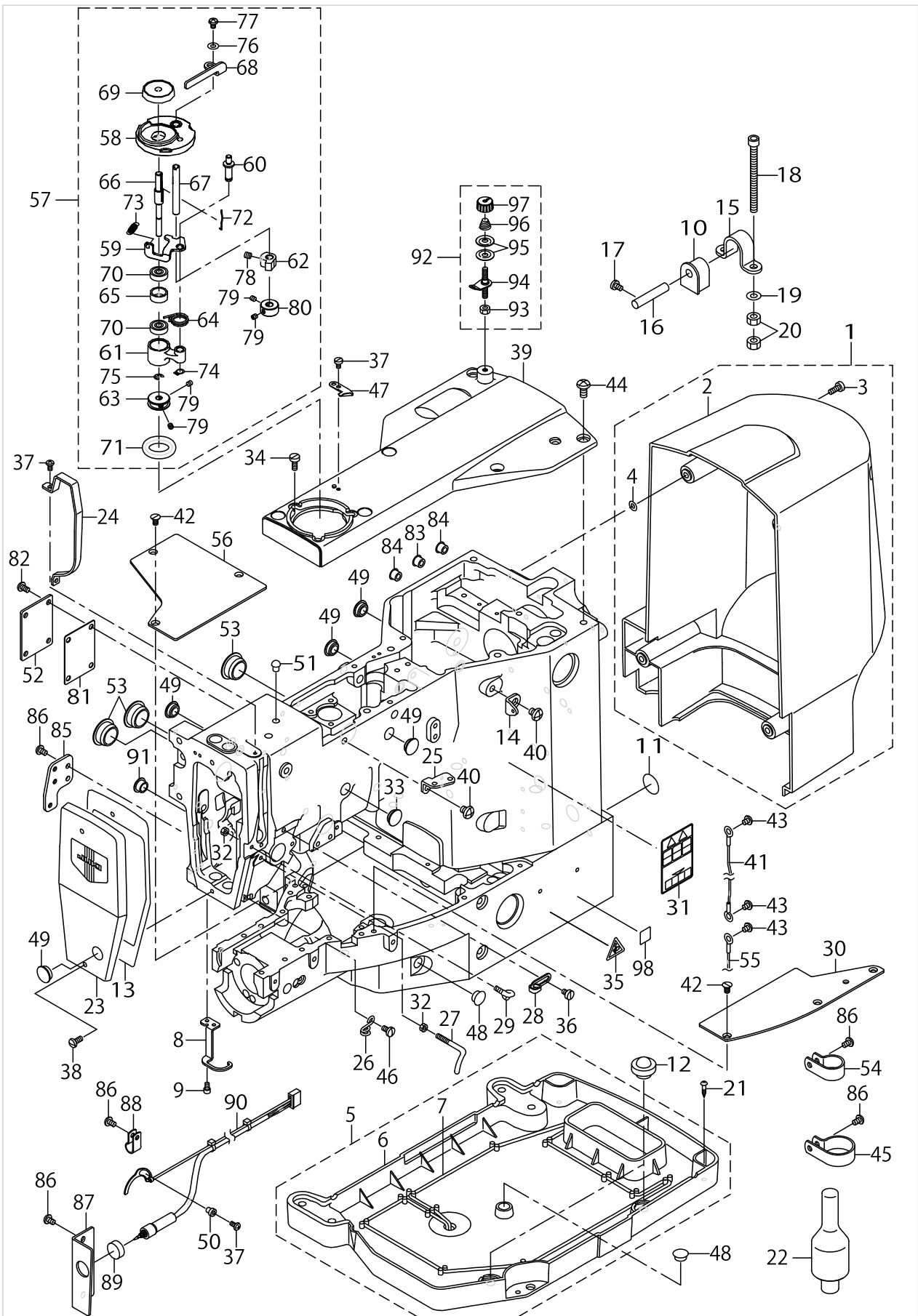
Published:09/10/2017

## CONTENTS

---

FRAME & MISCELLANEOUS COVER COMPONENTS .....	1
MAIN SHAFT & NEEDLE BAR COMPONENTS .....	7
PRESSER LIFTER & MANUAL PEDAL COMPONENTS .....	11
PRESSER MECHANISM COMPONENTS(FOR LK-1920).....	15
SHUTTLE DRIVER SHAFT COMPONENTS.....	19
WIPER MECHANISM COMPONENTS .....	23
TENSION RELEASE & THREAD TENSION COMPONENTS.....	25
TENSION RELEASE & THREAD TRIMMER MECHANISM COMPONENTS.....	27
FEED MECHANISM COMPONENTS.....	31
CLOTH FEED MECHANISM COMPONENTS (FOR LK-19 $\Delta$ 0SS,19 $\Delta$ 0HS).....	35
CLOTH FEED MECHANISM COMPONENTS (FOR LK-19 $\Delta$ 0HA,19 $\Delta$ 0SA) .....	37
LUBRICATION COMPONENTS .....	39
SENSOR & EXTENSION CABLE COMPONENTS .....	41
THREAD STAND COMPONENTS.....	43
CONTROL BOX COMPONENTS .....	45
OPERATION BOX & PEDAL COMPONENTS.....	49
WIRING DIAGRAM.....	51
ACCESSORIE PART COMPONENTS .....	53
TABLE COMPONENTS.....	57
OPTIONAL PART COMPONENTS.....	59
LIST FOR INFORMATION OF CHANGE.....	63
HOW TO MAKE USE OF THIS PARTS LIST .....	64

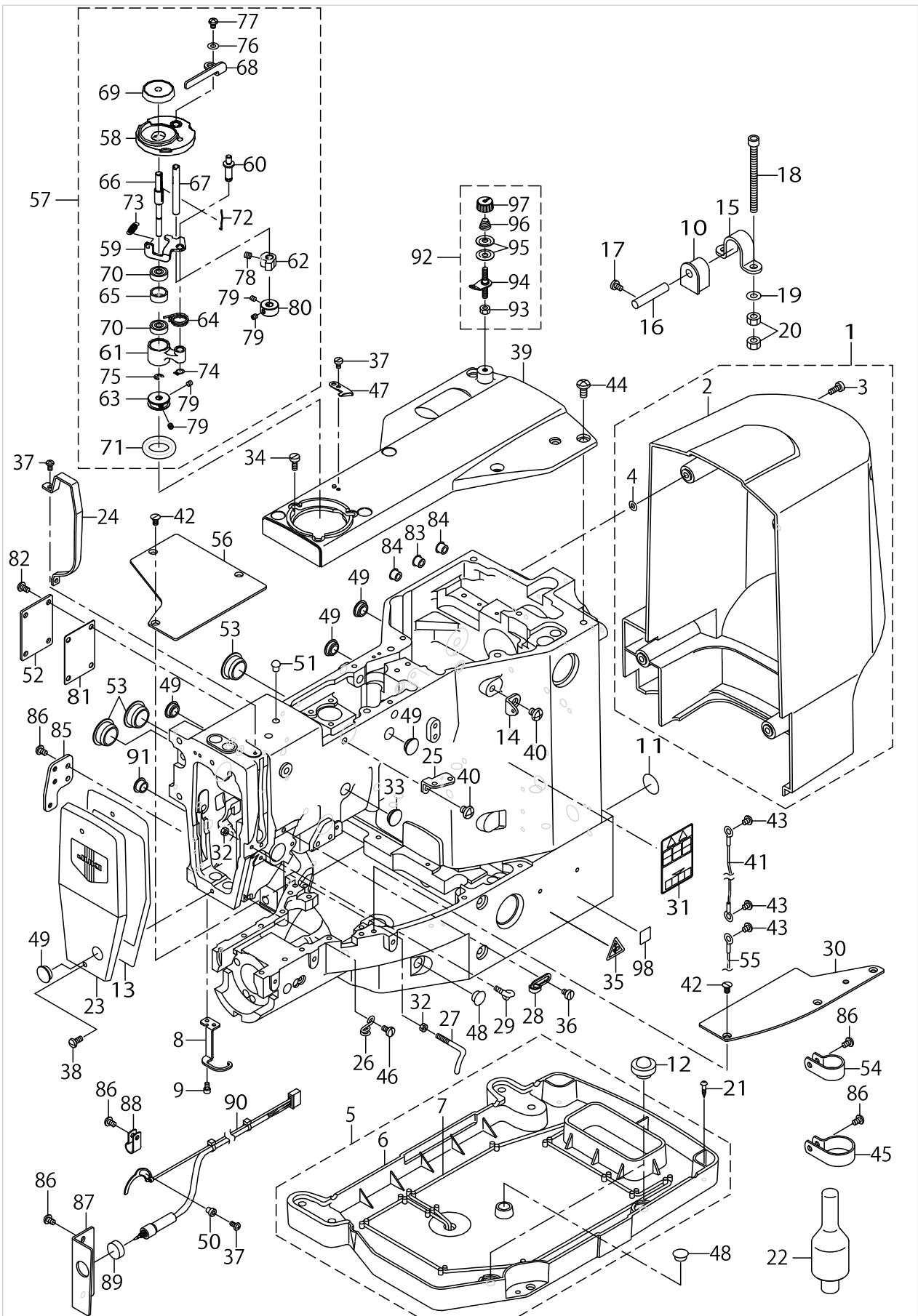
FRAME & MISCELLANEOUS COVER COMPONENTS



FRAME & MISCELLANEOUS COVER COMPONENTS

No.	Parts No.	Parts name	Remarks	Level	Cons	Qty
1	14100457	MOTOR COVER ASM.				1
2	14100408	MOTOR COVER		*		1
3	SS6111140SP	SCREW 11/64-40 L=11		*		4
4	M8002430000	STOPPER		*		4
5	14100754	OIL PAN ASM.				1
6	14100705	OIL PAN		*		1
7	CQ252200000	OIL WICK		*		1
8	14201602	FINGER GUARD(1910)	FOR LK-1910			1
9	SS6090612TP	SCREW 9/64-40 L=6	FOR LK-1910			2
10	B1115210D00	HINGE RUBBER				2
11	22901805	GROUND MARK				2
12	B1116210D00	FRAME SUPPORT RUBBER				2
13	13502307	FACE PACKING				1
14	40010414	THREAD_GUIDE_NO.1				1
15	B1111210D00	BED HINGE				2
16	40009290	HINGE STUD				2
17	SS7110730SP	SCREW 11/64-40 L= 6.5				2
18	SM6067552TP	HEXAGONAL-HOLE BOLT M6 L=75				4
19	WP0651646SC	WASHER				4
20	NM6060001SC	NUT M6				8
21	SK3382001SE	SCREW D=3.8 L=20				4
22	14101208	HEAD SUPPORT BAR				1
23	26211755	FACE COVER ASM.				1
24	40030828	THREAD_TAKE_UP_LEVER_COVER				1
25	26211904	THREAD GUIDE PLATE				1
26	26212100	ARM THREAD GUIDE B				1
27	B1125215P00	L-SHAPED THREAD GUIDE				1
28	22920508	ARM THREAD GUIDE A				1
29	B3114771000	THREAD GUIDE				1
30	14200901	BED COVER B				1
31	CM301200001	SAFETY LABEL_S				1
32	NS6090310SP	NUT 9/64-40				2
33	TA1250406R0	RUBBER PLUG D=12.5 L=4	FOR LK-1920			1
34	SS6111140SP	SCREW 11/64-40 L=11				3
35	CM300200002	CAUTION LABEL(25)				3
36	SS6110610TP	SCREW 11/64-40 L=6				1
37	SS4090715SP	SCREW 9/64-40 L=7				4
38	SS4111015SP	SCREW 11/64-40 L=10				2
39	14100309	TOP COVER				1
40	SS4150715SP	SCREW 15/64-28 L=7				2
41	14115653	HEAD GROUND CABLE B ASM.				1
42	SS1110840SP	SCREW 11/64-40 L=8				6
43	SS4110515SP	SCREW 11/64-40 L=5				3
44	SS4151215SP	SCREW 15/64-28 L=12				6
45	HX00150000N	CABLE CLIP				1
46	SS7110840SP	SCREW 11/64-40 L=7.8				1
47	10502300	THREAD CUTTER				1

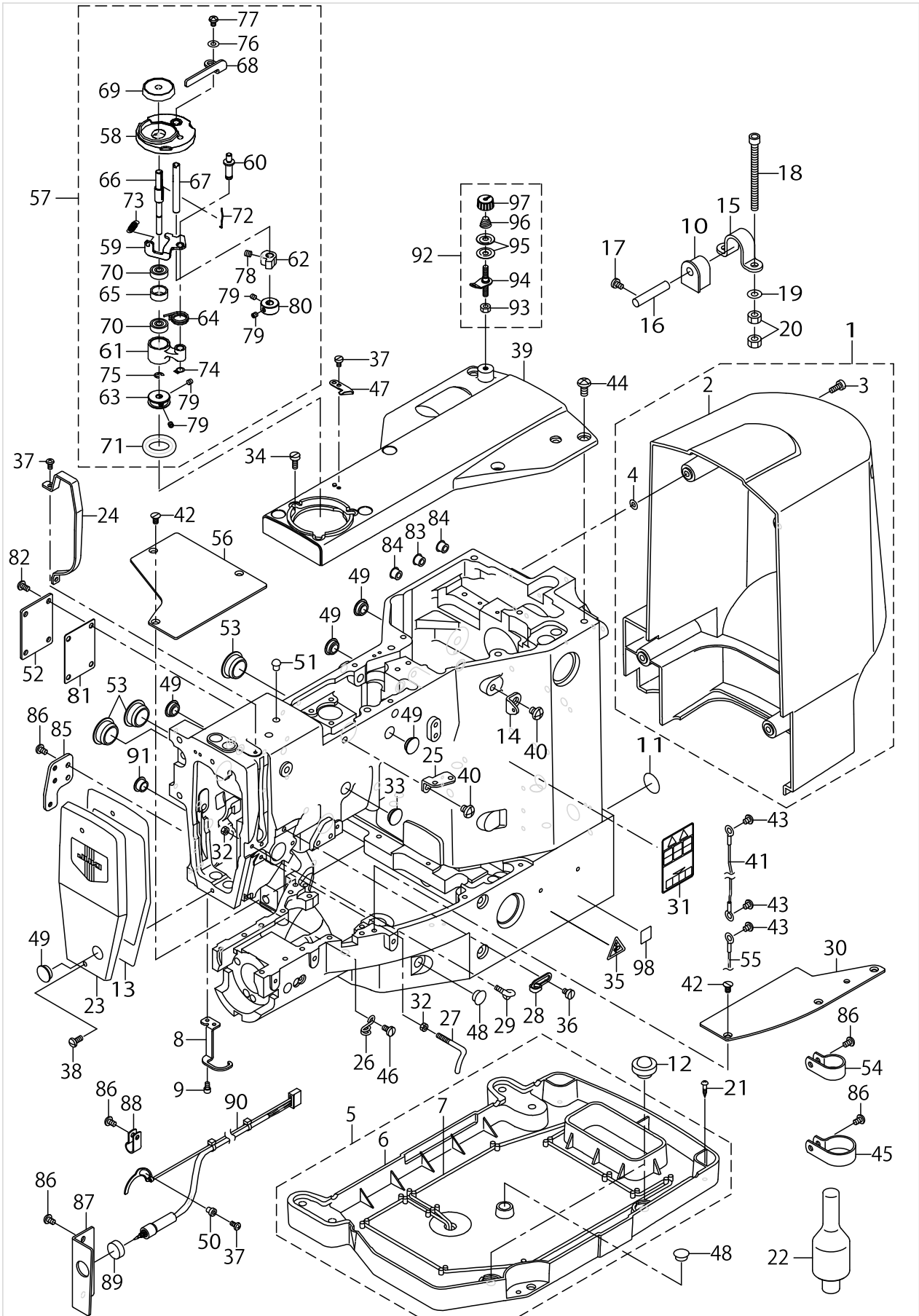
FRAME & MISCELLANEOUS COVER COMPONENTS



FRAME & MISCELLANEOUS COVER COMPONENTS

No.	Parts No.	Parts name	Remarks	Level	Cons	Qty
48	TA1050504R0	RUBBER PLUG				2
49	TA1250406R0	RUBBER PLUG D=12.5 L=4				5
50	B2703210000	BUSHING				1
51	TA0550604R0	RUBBER PLUG				1
52	B1123210D00	COVER				1
53	TA2100904R0	RUBBER PLUG				3
54	HX00150000J	CLIP				1
55	M90195800A0	EARTH CABLE ASM.				1
56	14200802	BED COVER A				1
57	40026746	BOBBIN WINDER UNIT				1
58	26260109	BTW_BASE		*		1
59	26260208	BTW_CAM_PLATE		*		1
60	26260307	BTW_BASE_SHAFT		*		1
61	26260406	BTW_SHAFT_BASE		*		1
62	26260505	BTW_CAM_LEVER		*		1
63	40026730	BTW_WHEEL		*		1
64	40011144	BTW_TORSION_SPRING		*		1
65	26260802	BTW_BEARING_SPACER		*		1
66	26260901	BTW_SHAFT		*		1
67	26261008	BTW_LEVER_SHAFT		*		1
68	26261107	BTW_LEVER		*		1
69	26261206	BTW_SPACER		*		1
70	26261305	BTW_BEARING		*		2
71	A321600100A	RUBBER RING		*		1
72	26261602	BOBBIN_SPRING		*		1
73	26261701	BTW_SPRING		*		1
74	RC0560711KP	RETAINING RING		*		1
75	RE0400000K0	E-RING 4		*		1
76	WP0450826SC	WASHER 4.5X10X0.8		*		1
77	SM5040655SN	SCREW		*		1
78	SM8050502TP	SCREW M5 L=5		*		1
79	SM8040412TP	SET SCREW M4 L=4		*		4
80	40026745	COLLAR		*		1
81	B1125210D00	COVER GASKET				1
82	SS4110815SP	SCREW 11/64-40 L=8				4
83	TA0850604R0	RUBBER PLUG	FOR LK-1920			1
84	TA0850604R0	RUBBER PLUG	FOR LK-19△0SA,HA			2
85	14201305	EYE GUARD INSTALLING PLATE				1
86	SS4110715SP	SCREW 11/64-40 L=7				9
87	14220503	SWITCH INSTALLING PLATE				1
88	HX00150000C	CABLE CLIP				3
89	HA001690010	SWITCH				1
90	14220750	SWITCH CABLE ASM.				1
91	TA1050504R0	RUBBER PLUG	FOR LK-1920			1
92	14113468	BOBBIN THREAD TENSION ASM.				1
93	NS6110310SP	NUT 11/64-40		*		1
94	14113450	BOBBIN THREAD TENSION ROD ASM.		*		1

FRAME & MISCELLANEOUS COVER COMPONENTS

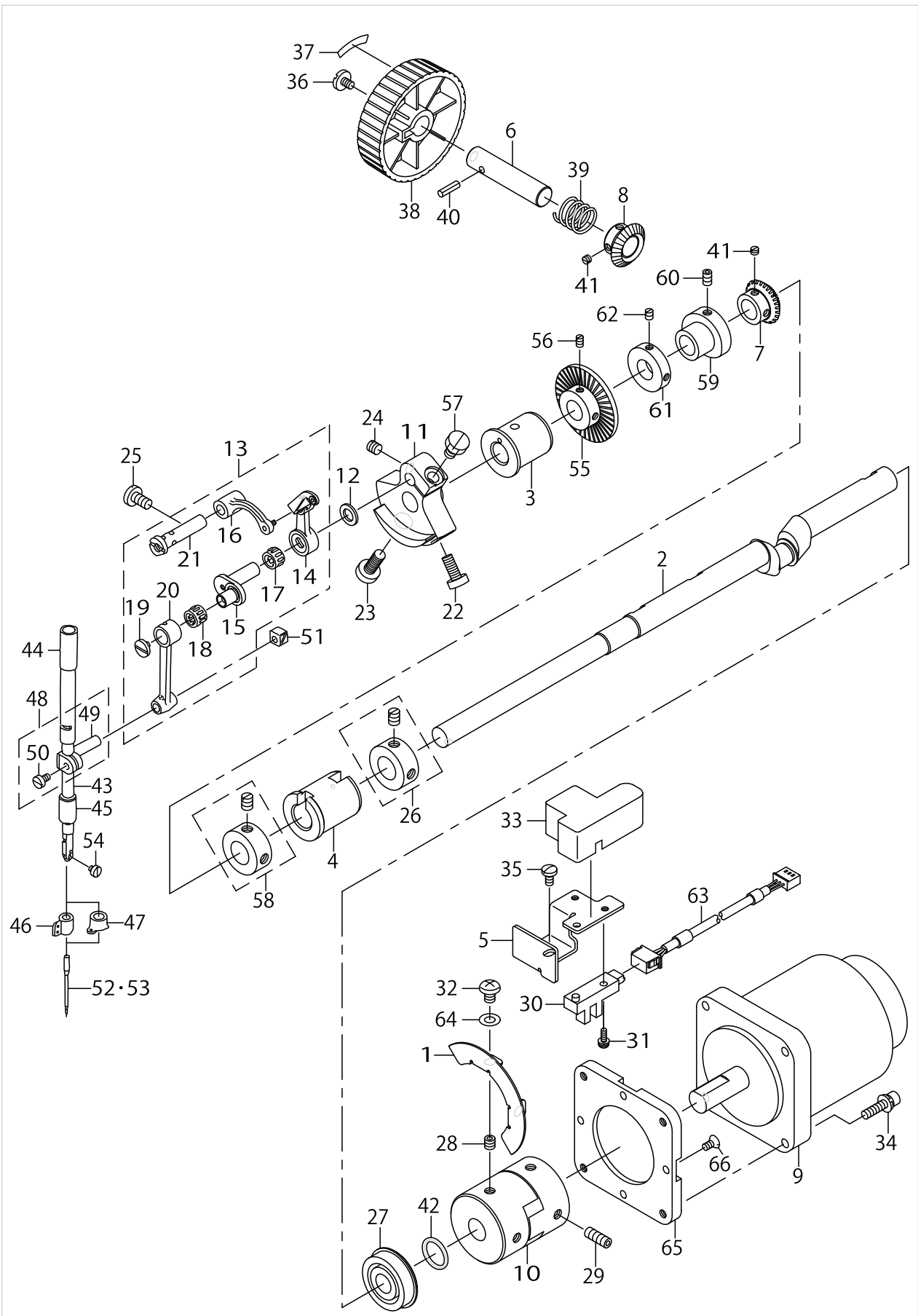


FRAME & MISCELLANEOUS COVER COMPONENTS

No.	Parts No.	Parts name	Remarks	Level	Cons	Qty
95	B3126012000	THREAD TENSION DISK		*		2
96	D7133555B00	CONNECTING ROD SPRING		*		1
97	11072402	THREAD TENSION NUT		*		1
98	CM600100101	WEEE MARK LABEL S	FOR JE			1



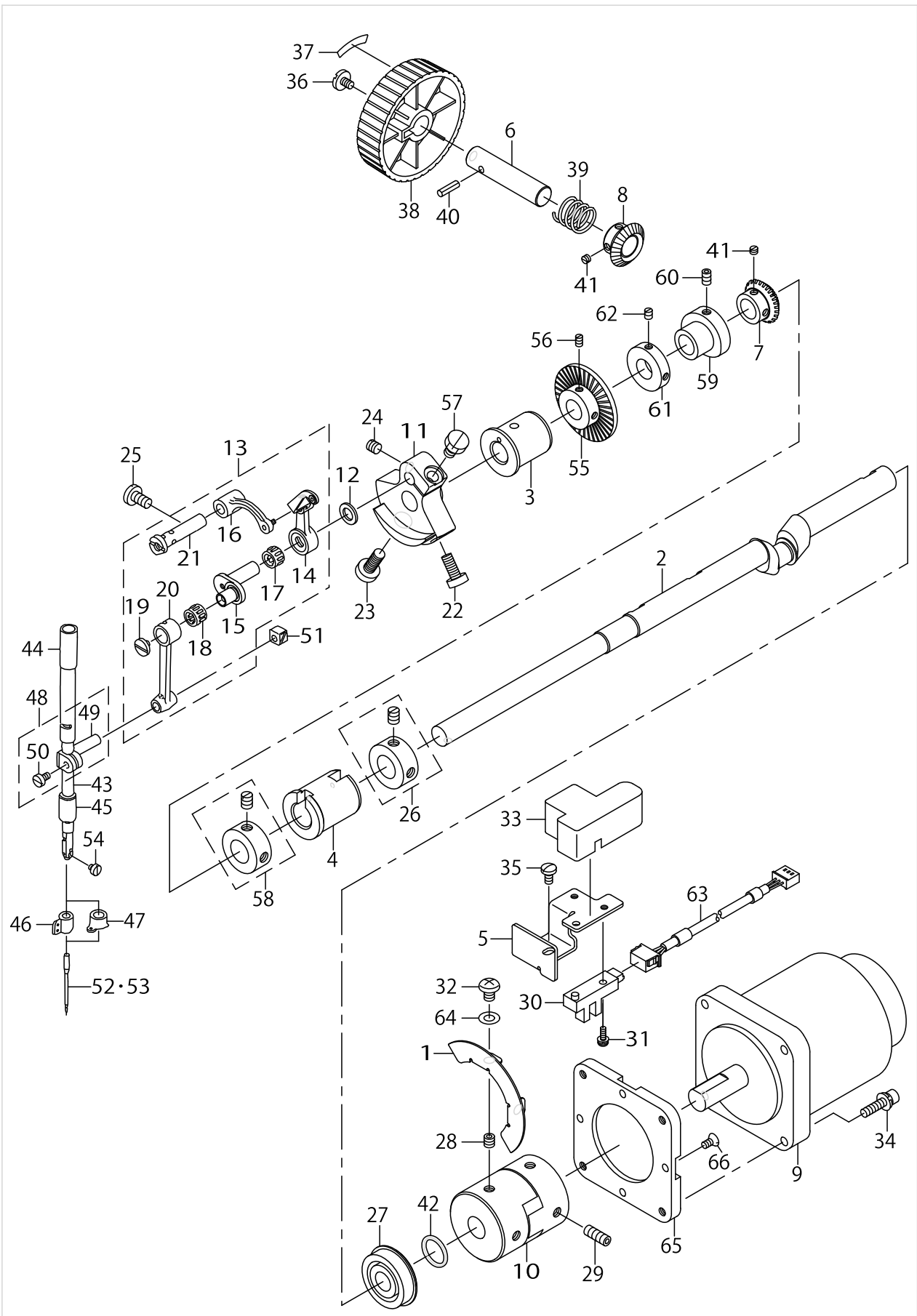
MAIN SHAFT & NEEDLE BAR COMPONENTS



MAIN SHAFT & NEEDLE BAR COMPONENTS

No.	Parts No.	Parts name	Remarks	Level	Cons	Qty
1	14102404	MAIN SHAFT SLIT PLATE				1
2	14102107	MAIN SHAFT				1
3	B1202210000	BUSHING, FRONT				1
4	B1203215000	BUSHING INNER				1
5	14102503	SENSOR INSTALLING BASE				1
6	26500306	HAND PULLEY SHAFT				1
7	14102701	HAND PULLEY GEAR A				1
8	14102800	HAND PULLEY GEAR B				1
9	40053326	SERVO MOTOR 550W				1
10	B1231210D00	COUPLING				1
11	B1206210D00	COUNTER WEIGHT				1
12	B1223771000	NEEDLE ROD CRANK WASHER				1
13	B1901210DC0	LINK THREAD TAKE-UP				1
14	B1901210DA0	THREAD TAKE-UP LEVER COMPL.		*		1
15	B1407210D00	NEEDLE BAR CRANK		*		1
16	B1903210000	THREAD TAKE-UP CRANK		*		1
17	B1905541000	NEEDLE BUSHING		*		1
18	B1411804000	NEEDLE DRIVING LEVER BEARING		*		1
19	B1903552000	LEFT SCREW		*		1
20	B1404280000	NEEDLE BAR CRANK ROD		*		1
21	B1904280000	BALANCE CRANK PIN		*		1
22	SS6151412TP	SCREW 15/64-28 L=14				1
23	SS6681712TP	SCREW 9/32-28 L=16.5				1
24	SS8660610TP	SCREW 1/4-40 L=6				1
25	SS7151120SP	SCREW 15/64-28 L=11				1
26	22904155	MAIN SHAFT THRUST COLLAR ASM.				1
27	G1216870000	UPPER SHAFT REAR BEARING				1
28	SM8060612TP	SCREW M6 L=6				2
29	SM8061612TP	SCREW M6X16				2
30	HD002230000	PHOTO SENSOR				1
31	SL4041291SC	SCREW M4 L=12				1
32	SM4060801SE	SCREW				2
33	14114508	MAIN SHAFT SENSOR COVER				1
34	SL6052092TN	SCREW				4
35	SS7110840SP	SCREW 11/64-40 L=7.8				1
36	A1230500000A	HANDWHEEL SETSCREW				1
37	B1144210000	REVOLVING DIRECTION LABEL				1
38	B1212210D00	PULLEY				1
39	GAF01007000	SPRING				1
40	PS0400142KH	SPRING PIN 4X14				1
41	SS8110310SP	SCREW 11/64-40 L=2.8				4
42	RO154240100	RUBBER RING				1
43	B1401210000	NEEDLE BAR				1
44	26203208	NEEDLE ROD METAL				1
45	B1403280000	NEEDLE ROD LOWER METAL				1
46	B1405210000	THREAD GUIDE A	FOR LK-19△0SS,SA			1
47	40026884	NEEDLE_BAR_SHREAD_GUIDE_H	FOR LK-19△0HS,HA			1

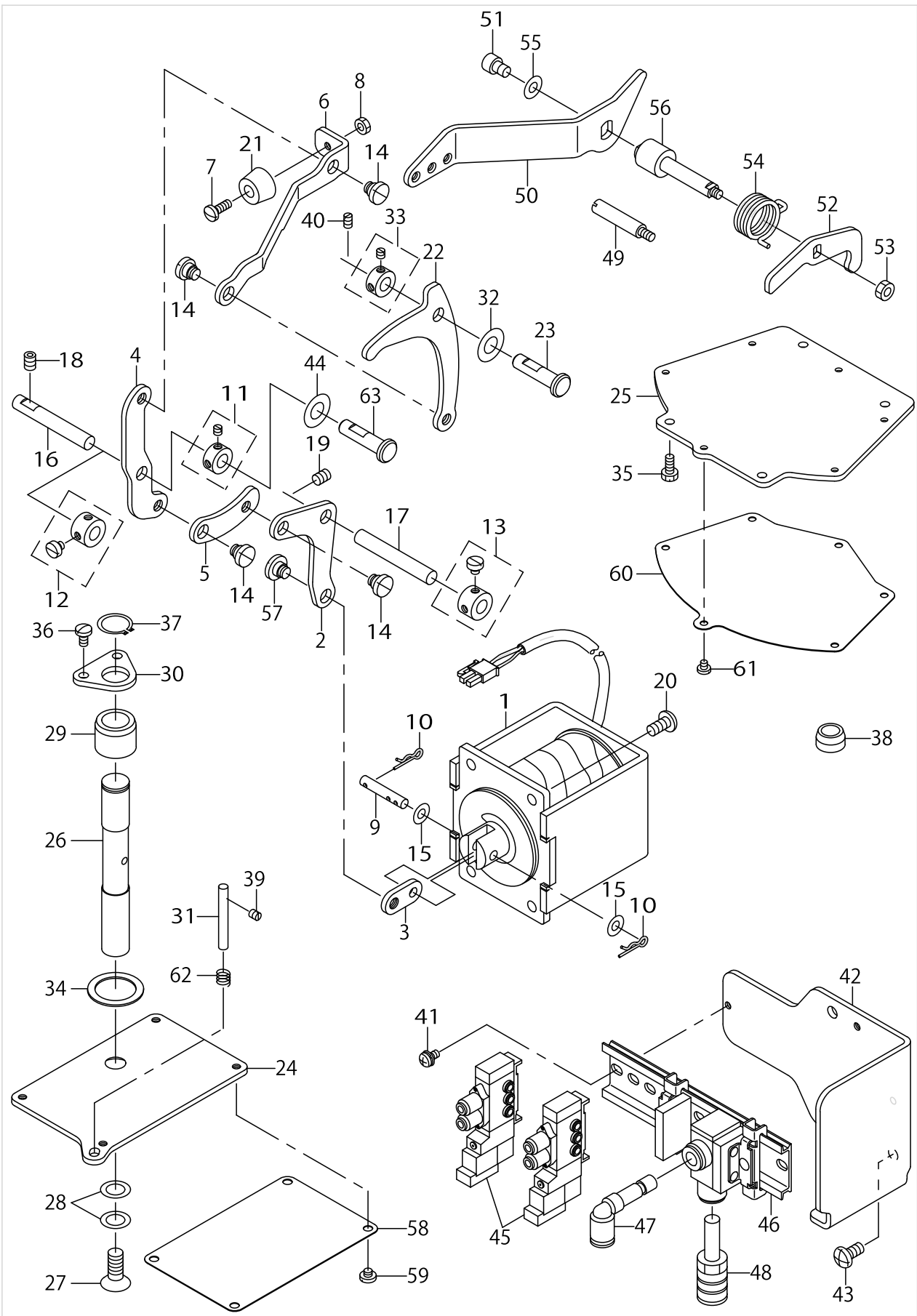
MAIN SHAFT & NEEDLE BAR COMPONENTS



MAIN SHAFT & NEEDLE BAR COMPONENTS

No.	Parts No.	Parts name	Remarks	Level	Cons	Qty
48	B14115520A0	NEEDLE BAR CONNECTING ASM.				1
49	B1411552000	NEEDLE BAR CLAMP		*		1
50	SS6090670TP	SCREW 9/64-40 L=6		*		1
51	B1414232000	SQUARE BLOCK				1
52	MDP500B1400	NEEDLE DPX5 #14	FOR LK-19Δ0SS,SA			1
53	MDP170B1800	NEEDLE DPX17 #18	FOR LK-19Δ0HS,HA			1
54	SS7080510TP	SCREW 1/8-44 L=4.5				1
55	40026917	BOBBIN WINDER DRIVING WHEEL				1
56	SM8040600SP	SCREW 11/64-40 L=15.5				2
57	SS9661230CP	SCREW 1/4-40 L=12				1
58	CS147121ESH	THRUST COLLAR ASM.D=14.72 W=12				1
59	14206502	INTERMEDIATE CAM	FOR LK-1920			1
60	SM8050812TP	SCREW M5X8	FOR LK-1920			2
61	14208607	INTERMEDIATE CAM STOPPER	FOR LK-1920			1
62	SS8110510SP	SCREW 11/64-40 L=5	FOR LK-1920			2
63	14115356	MAIN SHAFT SENSOR CABLE ASM.				1
64	WS0610002KN	SPRING WASHER 6.1X12.2X1.5				2
65	40045548	MOTOR INSTALLING BRACKET				1
66	SS1110840SP	SCREW 11/64-40 L=8				4

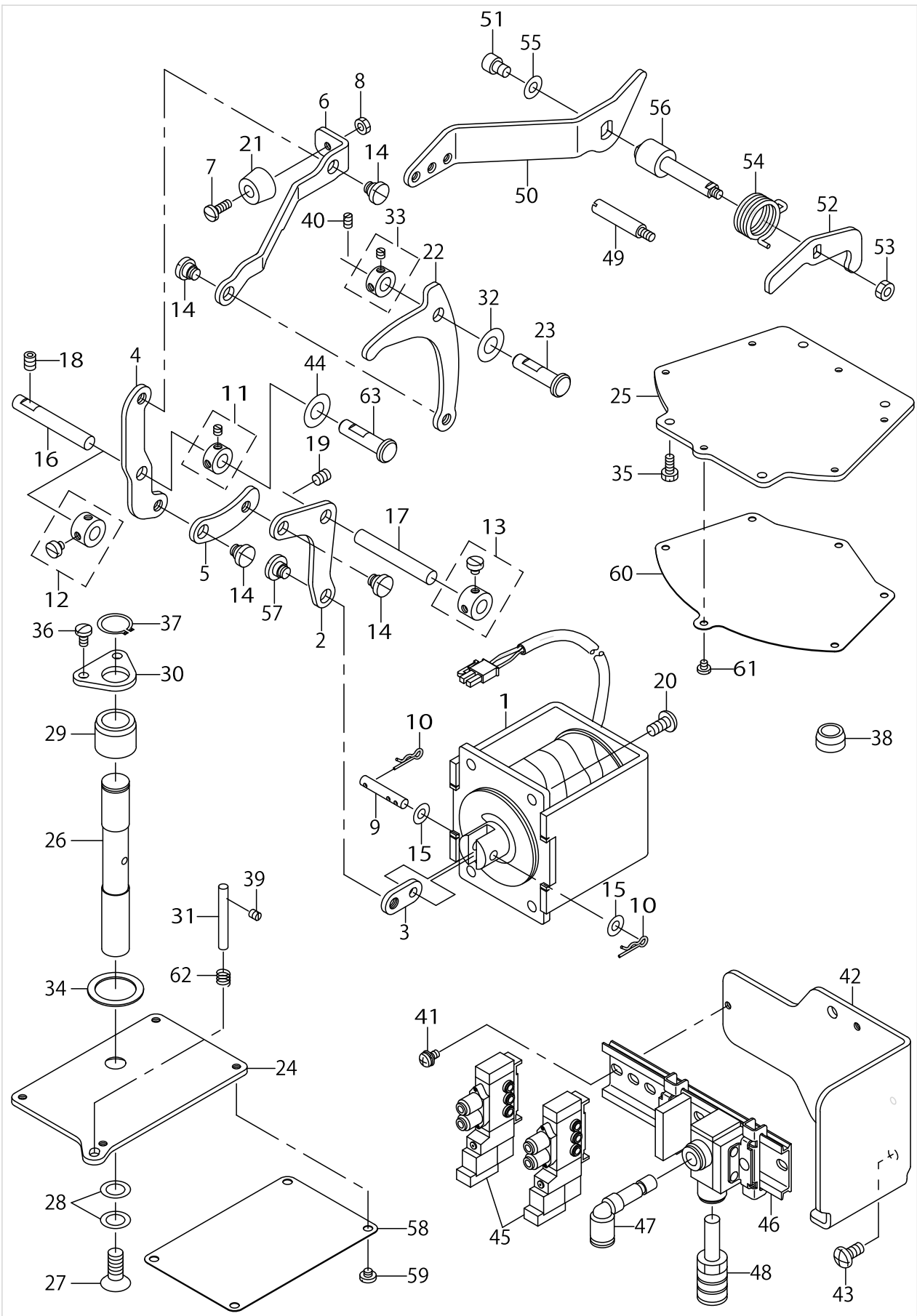
PRESSER LIFTER & MANUAL PEDAL COMPONENTS



PRESSER LIFTER & MANUAL PEDAL COMPONENTS

No.	Parts No.	Parts name	Remarks	Level	Cons	Qty
1	14104152	PRESSER LIFTING SOLENOID ASM.	FOR LK-19Δ0SS,HS			1
2	14203301	LINK D	FOR LK-19Δ0SS,HS			1
3	14104707	SOLENOID LINK	FOR LK-19Δ0SS,HS			1
4	14203103	LINK B	FOR LK-19Δ0SS,HS			1
5	14203202	LINK C	FOR LK-19Δ0SS,HS			1
6	14203004	LINK A	FOR LK-19Δ0SS,HS			1
7	SS7111120TP	SCREW	FOR LK-19Δ0SS,HS			1
8	NS6110310SP	NUT 11/64-40	FOR LK-19Δ0SS,HS			1
9	B1513210D00	MAGNET PIN	FOR LK-19Δ0SS,HS			1
10	B1515210D00	PIN	FOR LK-19Δ0SS,HS			2
11	22917058	THRUST COLLAR ASM., FRONT	FOR LK-1920SS,HS			1
12	22917157	THRUST COLLAR ASM., REAR	FOR LK-1920SA,HA			1
13	22917157	THRUST COLLAR ASM., REAR	FOR LK-19Δ0SS,HS			1
14	SD0800341SP	HINGE SCREW D=8 H=3.4	FOR LK-19Δ0SS,HS			4
15	WP0560860SE	WASHER 5.6X12X0.8	FOR LK-19Δ0SS,HS			2
16	14203509	LINK B FULCRUM SHAFT	FOR LK-1920			1
17	14203509	LINK B FULCRUM SHAFT	FOR LK-19Δ0SS,HS			1
18	SS8150822TP	SCREW 15/64-28 L=8	EXCEPT LK-1910SA,HA			2
19	SS8150822TP	SCREW 15/64-28 L=8	FOR LK-19Δ0SS,HS			2
20	SS4151215SP	SCREW 15/64-28 L=12	FOR LK-19Δ0SS,HS			4
21	14204200	STOPPER RUBBER	FOR LK-19Δ0SS,HS			1
22	14203400	LINK E	FOR LK-19Δ0SS,HS			1
23	14204309	LINK FULCRUM SHAFT	FOR LK-19Δ0SS,HS			1
24	14203608	PRESSER PLATE	FOR LK-19Δ0SS,HS			1
25	14203806	PRESSER PLATE(AIR)	FOR LK-19Δ0SA,HA			1
26	14204002	SHAFT	FOR LK-19Δ0SS,HS			1
27	B1516210D00	SCREW	FOR LK-19Δ0SS,HS			1
28	B1530210D00	PRESSER PLATE SHEET WASHER	FOR LK-19Δ0SS,HS			2
29	B1702155000	BUSHING, REAR				1
30	14204101	SHAFT GUIDE	FOR LK-19Δ0SS,HS			1
31	GNP01330000	CONTROL PIN	FOR LK-19Δ0SS,HS			1
32	B1208019000	WASHER	FOR LK-19Δ0SS,HS			1
33	22917058	THRUST COLLAR ASM., FRONT	FOR LK-19Δ0SS,HS			1
34	B1220771000	THRUST WASHER A	FOR LK-19Δ0SS,HS			1
35	SS9111010SP	SCREW 11/64-40 L=9.5	FOR LK-19Δ0SA,HA			4
36	SS7110840SP	SCREW 11/64-40 L=7.8	FOR LK-19Δ0SS,HS			2
37	RC0150001KP	RETAINING RING 13.8	FOR LK-19Δ0SS,HS			1
38	TA1550902R0	PLUG	FOR LK-19Δ0SA,HA			1
39	SS8110510SP	SCREW 11/64-40 L=5	FOR LK-19Δ0SS,HS			1
40	SS8150822TP	SCREW 15/64-28 L=8	FOR LK-19Δ0SS,HS			1
41	SL4041291SC	SCREW M4 L=12	FOR LK-19Δ0SA,HA			2
42	14204911	FITTING BASE	FOR LK-19Δ0SA,HA			1
43	SS4151215SP	SCREW 15/64-28 L=12	FOR LK-19Δ0SA,HA			2
44	B1223771000	NEEDLE ROD CRANK WASHER	FOR LK-1910SS,HS			1
45	PV150209000	5 PORT SOLENOID VALVE	FOR LK-19Δ0SA,HA			2
46	PV915005000	SOLENOID VALVE INSTALLING BASE	FOR LK-19Δ0SA,HA			1
47	PJ304060001	ELBOW	FOR LK-19Δ0SA,HA			1

PRESSER LIFTER & MANUAL PEDAL COMPONENTS

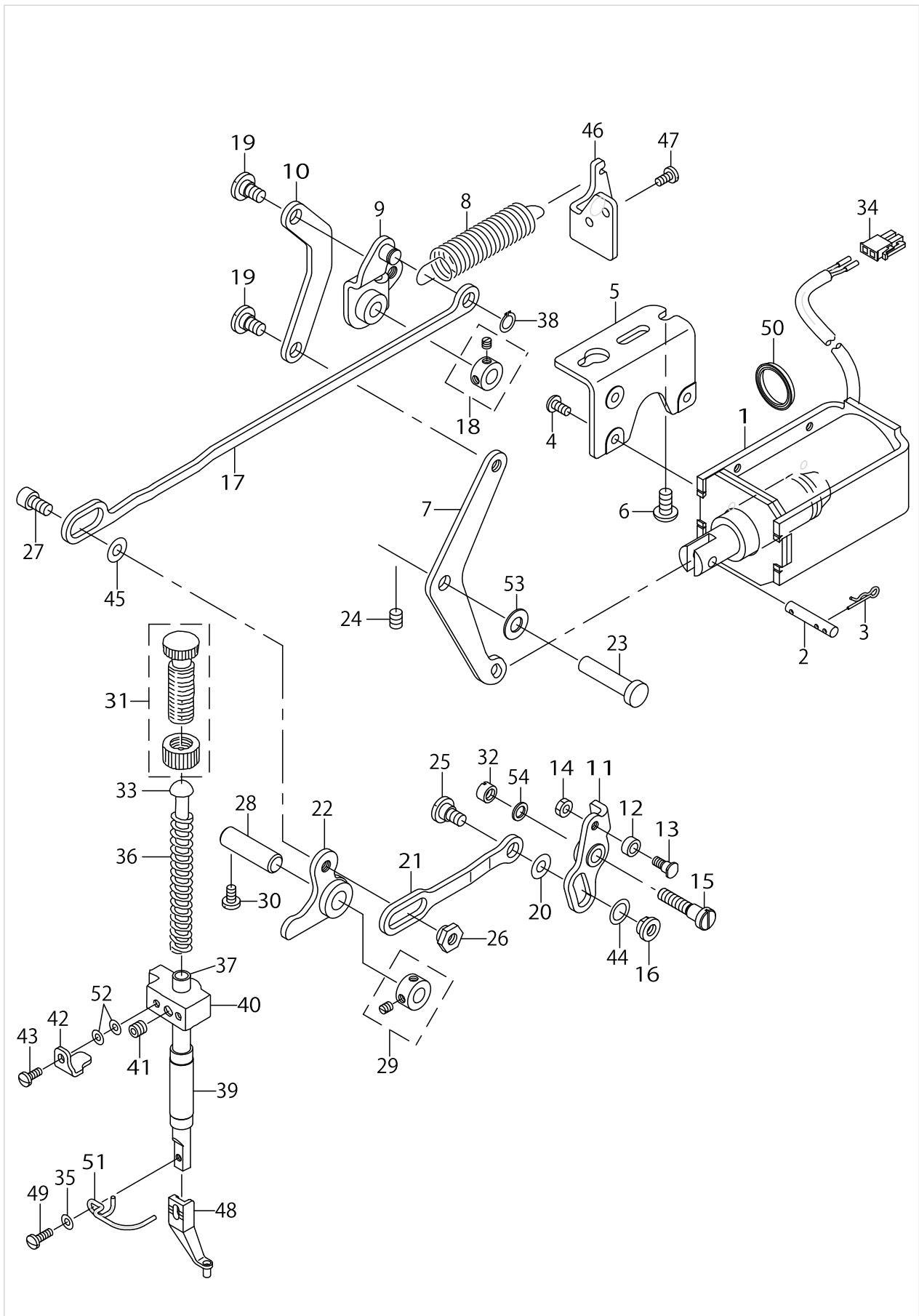


PRESSER LIFTER & MANUAL PEDAL COMPONENTS

No.	Parts No.	Parts name	Remarks	Level	Cons	Qty
48	PX050003000	SILENCER	FOR LK-19Δ0SA,HA			1
49	22924005	PUMP BODY STRUT	FOR LK-19Δ0SS,HS			1
50	14205009	MANUAL PEDAL LINK A	FOR LK-19Δ0SS,HS			1
51	SM6060802TP	SCREW M6 L=8	FOR LK-19Δ0SS,HS			1
52	14205108	MANUAL PEDAL LINK B	FOR LK-19Δ0SS,HS			1
53	NM6050001SP	NUT M5	FOR LK-19Δ0SS,HS			1
54	14205207	MANUAL PEDAL RETURN SPRING	FOR LK-19Δ0SS,HS			1
55	WP0641601SC	WASHER	FOR LK-19Δ0SS,HS			1
56	B1701210D00	LOWERING LEVER SHAFT	FOR LK-19Δ0SS,HS			1
57	SD0800331TH	HINGE SCREW D=8 H=3.25	FOR LK-19Δ0SS,HS			1
58	14203707	PRESSER PLATE SHEET	FOR LK-19Δ0SS,HS			1
59	SS7110340SP	SCREW 11/64-40 L=3.2	FOR LK-19Δ0SS,HS			4
60	14203905	PRESSER PLATE SHEET	FOR LK-19Δ0SA,HA			1
61	SS7090410SP	SCREW 9/64-40 L=3.5	FOR LK-19Δ0SA,HA			6
62	12210803	SPRING	FOR LK-19Δ0SS,HS			1
63	14204309	LINK FULCRUM SHAFT	FOR LK-1910SS,HS			1



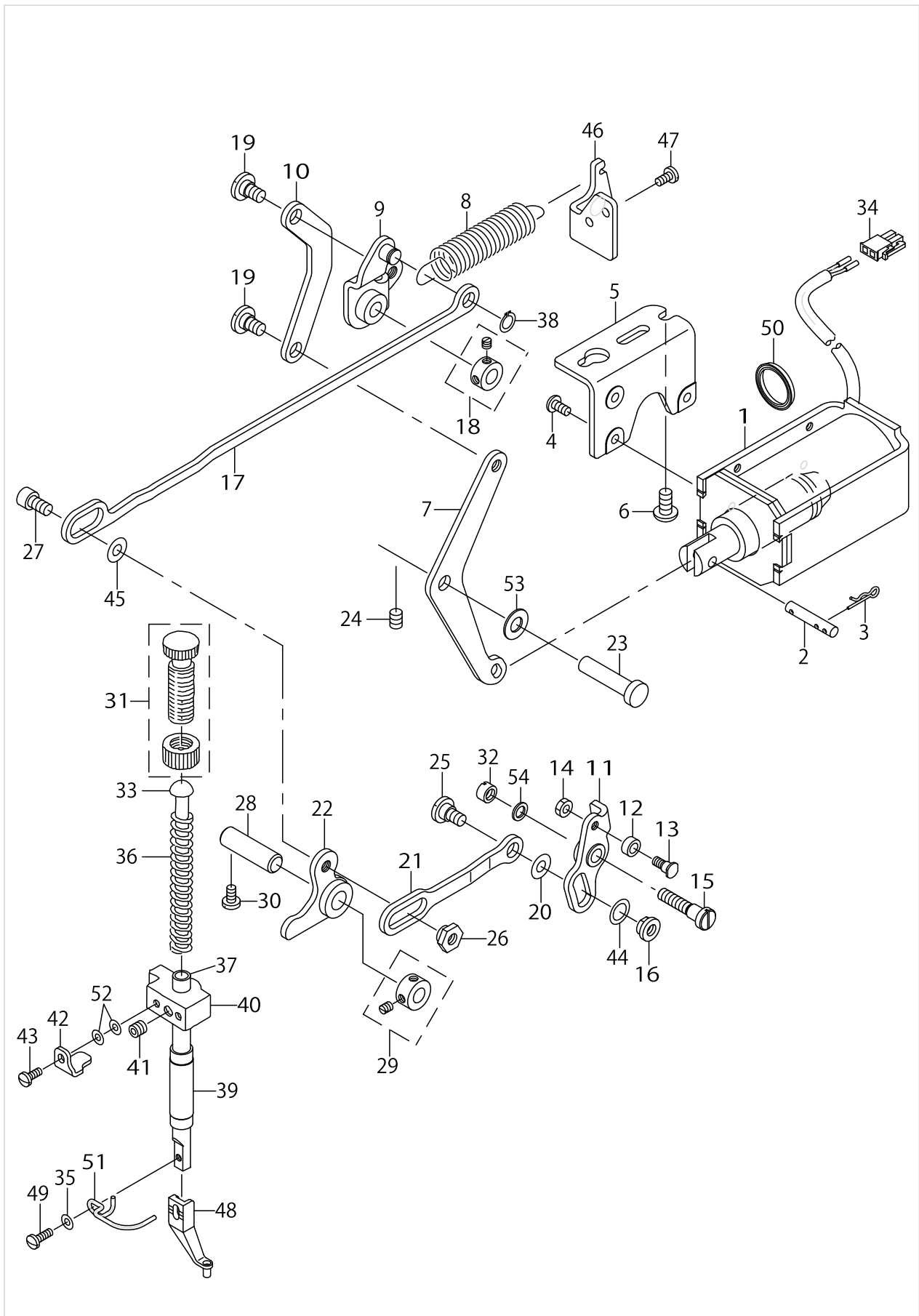
PRESSER MECHANISM COMPONENTS(FOR LK-1920)



PRESSER MECHANISM COMPONENTS(FOR LK-1920)

No.	Parts No.	Parts name	Remarks	Level	Cons	Qty
1	14209001	SOLENOID				1
2	B1513210D00	MAGNET PIN				1
3	B1515210D00	PIN				2
4	SS4110815SP	SCREW 11/64-40 L=8				3
5	14207807	SOLENOID INSTALLING PLATE				1
6	SS4151215SP	SCREW 15/64-28 L=12				2
7	14207609	LINK C				1
8	14208201	SPRING				1
9	14207252	LINK A COMPL.				1
10	14207500	LINK B				1
11	14206650	DRIVE ARM COMPL.				1
12	D2587L8WB00	ROLLER				1
13	14209308	INNER PRESSER ROLLER SHAFT				1
14	NS6110420SP	NUT 11/64-40				1
15	40031323	HINGE SCREW				1
16	B1633210D00	ADJUSTING NUT				1
17	40025746	LINK				1
18	22917058	THRUST COLLAR ASM., FRONT				1
19	SD0800341SP	HINGE SCREW D=8 H=3.4				2
20	WP0612066SP	WASHER 6.1X11X2				1
21	14206908	ROD				1
22	14207054	LINK COMPL.				1
23	14204309	LINK FULCRUM SHAFT				1
24	SS8150822TP	SCREW 15/64-28 L=8				1
25	SD0800431SP	HINGE SCREW D=8 H=4.3				1
26	26227702	NUT				1
27	SS6151142TP	SCREW 15/64-28 L=10.5				1
28	PH1000332SH	PIN 10X33				1
29	CS100081CSP	THRUST COLLAR ASM.				1
30	SS7110810SP	SCREW 11/64-40 L=8.0				1
31	22907554	PRESSER SPRING REGULATOR ASM.				1
32	40031324	NUT				1
33	40023631	PRESSER GUIDE BAR				1
34	HK034610020	2-POLE NYLON PLUG				1
35	WP0371016SD	WASHER 3.7X8X1				1
36	14208300	SPRING				1
37	26502906	INNER PRESSER ROD				1
38	RC0740811KP	C-RING				1
39	40014007	PRESSER BAR BUSHING LOWER				1
40	11006004	PRESSER BAR GUIDE BRACKET				1
41	SS8660612TP	SCREW 1/4-40 L=6				1
42	14208508	GUIDE BRACKET SUPPORT PLATE				1
43	SS7091110TP	SCREW 9/64-40 L=10.5				1
44	WP0951016SP	WASHER 9.53X15X1				1
45	WP0600816SP	WASHER				1
46	40022462	RETURN SPRING HOOK				1
47	SS7110840SP	SCREW 11/64-40 L=7.8				2

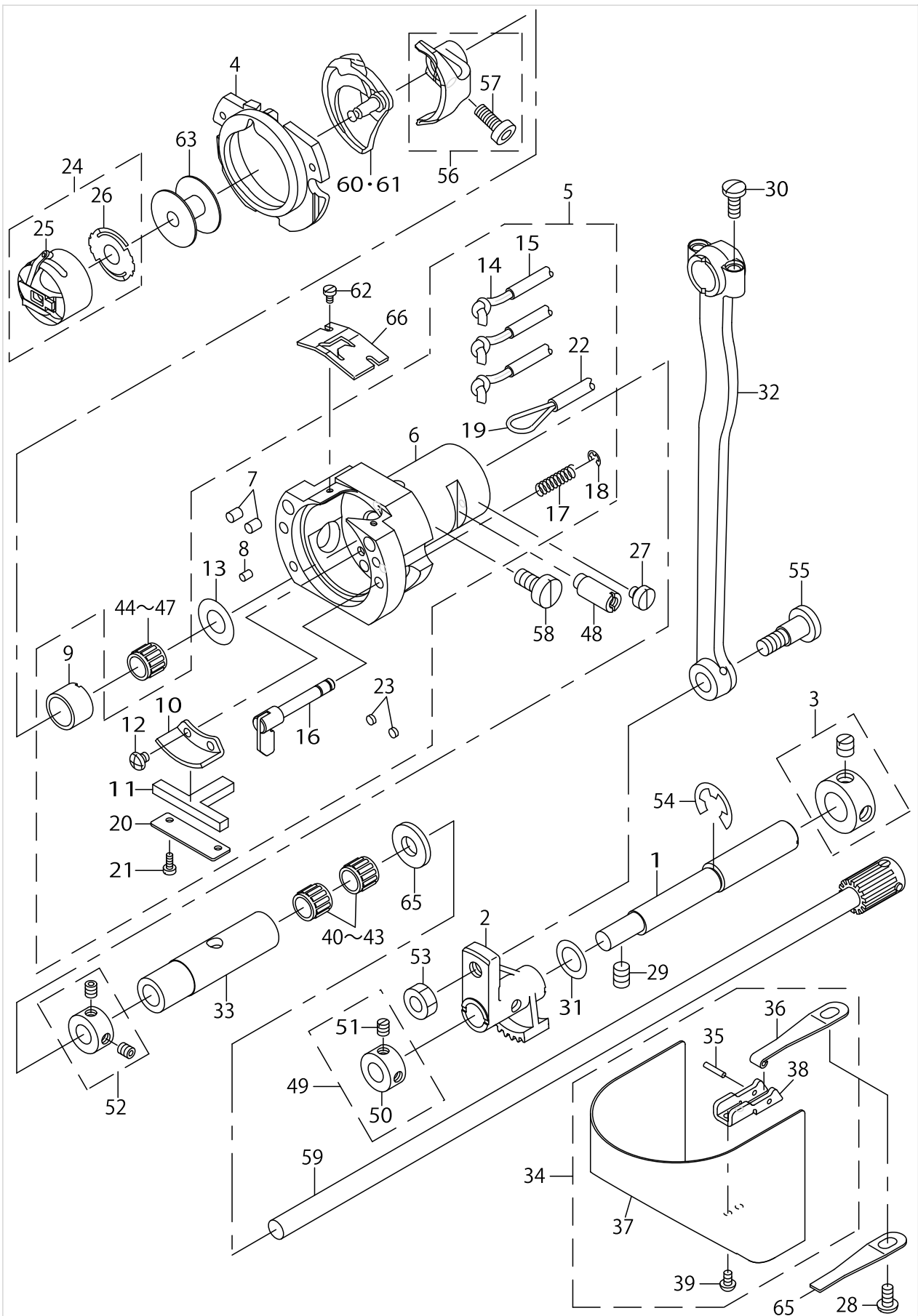
PRESSER MECHANISM COMPONENTS(FOR LK-1920)



PRESSER MECHANISM COMPONENTS(FOR LK-1920)

No.	Parts No.	Parts name	Remarks	Level	Cons	Qty
48	40023632	INTERMEDIATE PRESSER A				1
49	SS7091110TP	SCREW 9/64-40 L=10.5				1
50	B1652210D00	GASKET				1
51	B1634210D00	FINGER GUARD				1
52	WP0371016SD	WASHER 3.7X8X1				2
53	B1223771000	NEEDLE ROD CRANK WASHER				1
54	WP0621026SP	WASHER 6.2X9.5X1				1

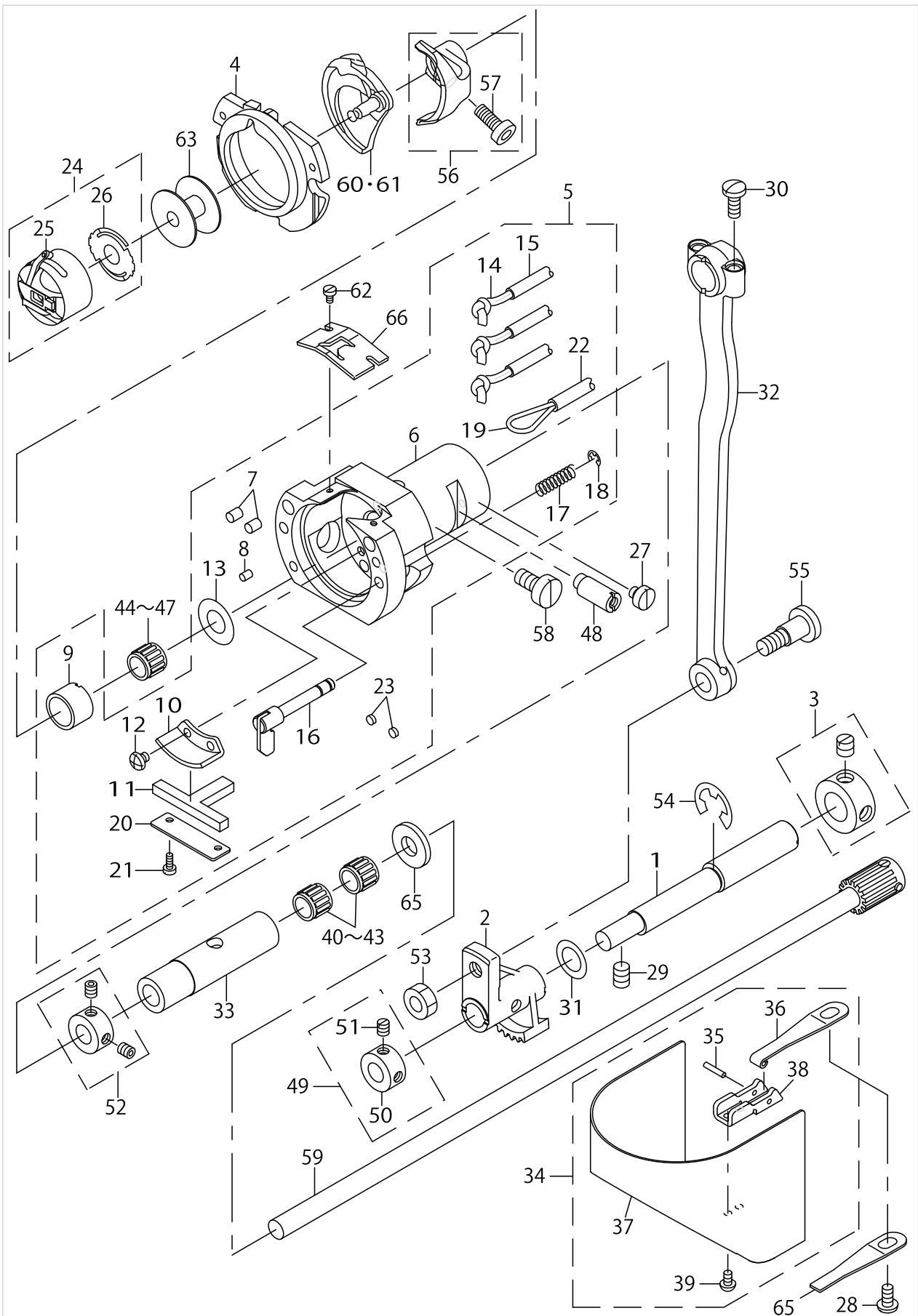
# SHUTTLE DRIVER SHAFT COMPONENTS



SHUTTLE DRIVER SHAFT COMPONENTS

No.	Parts No.	Parts name	Remarks	Level	Cons	Qty
1	B1836210D00	OSCILLATING ECCENTRIC SHAFT				1
2	14106702	OSCILLATOR				1
3	CS1201010SH	THRUST COLLAR ASM. D=12 W=10				1
4	14103352	INNER HOOK PRESSER ASM., B				1
5	14103758	SHUTTLE ASM.				1
6	14103006	SHUTTLE		*		1
7	B1820210D00	SHUTTLE OIL FELT,A		*		2
8	B1821210D00	SHUTTLE OIL FELT,B		*		1
9	14106405	SHUTTLE NEEDLE OUTER RING		*		1
10	B3505280000	SHUTTLE LUBRICATING PLATE		*		1
11	14103907	SHUTTLE ONCE THROUGH OIL FELT		*		1
12	SS4090415SP	SCREW 9/64-40 L=4		*		2
13	WP0952616SD	WASHER 9.5X14.8X2.6		*		1
14	CQ202000000	OIL WICK		*		1.06
15	23630007	TUBE		*		1.59
16	26501858	INNER-HOOK-PRESSER ASM.		*		0.99
17	B1822215P00	INNER HOOK PRESSER SPRING		*		2
18	RE0300000K0	E-RING 3		*		2
19	CQ200000000	OIL WICK		*		0.43
20	14104004	ONCE THROUGH OIL FELT PRESSER		*		1
21	SS6060410TP	SCREW 3/32-56 L=3.5		*		2
22	BT0500300EA	OIL TUBE		*		0.19
23	13529607	SHUTTLE PACKING		*		2
24	B1828210DAA	BOBBIN CASE ASM.				1
25	B1828210D0A	BOBBIN CASE		*		1
26	B1808210D00	SPRING		*		1
27	SS6110480SP	SCREW 11/64-40 L=4.3				1
28	SS7110840SP	SCREW 11/64-40 L=7.8				1
29	SS8150822TP	SCREW 15/64-28 L=8				2
30	SS7111110TP	SCREW 11/64-40 L=10.5				2
31	10523504	WASHER				1
32	B1802210D00	CRANK ROD				1
33	14106306	LOWER SHAFT METAL, REAR				1
34	40142674	CYLINDER_ARM_CAP_ASM.				1
35	13508700	HOOK COVER PRESSER SPRING PIN		*		1
36	26221101	HOOK COVER PRESSER SPRING A		*		1
37	40142675	CYLINDER ARM CAP		*		1
38	40142677	CYLINDER ARM CAP PLATE		*		1
39	SM3030552TN	SCREW M3 L=5		*		2
40	SB30800100A	BEARING	SELECTIVE PARTS			2
41	SB30800100B	BEARING	SELECTIVE PARTS			2
42	SB30800100C	BEARING	SELECTIVE PARTS			2
43	SB30800100D	BEARING	SELECTIVE PARTS			2
44	SB30800100A	BEARING	SELECTIVE PARTS			1
45	SB30800100B	BEARING	SELECTIVE PARTS			1
46	SB30800100C	BEARING	SELECTIVE PARTS			1
47	SB30800100D	BEARING	SELECTIVE PARTS			1

# SHUTTLE DRIVER SHAFT COMPONENTS

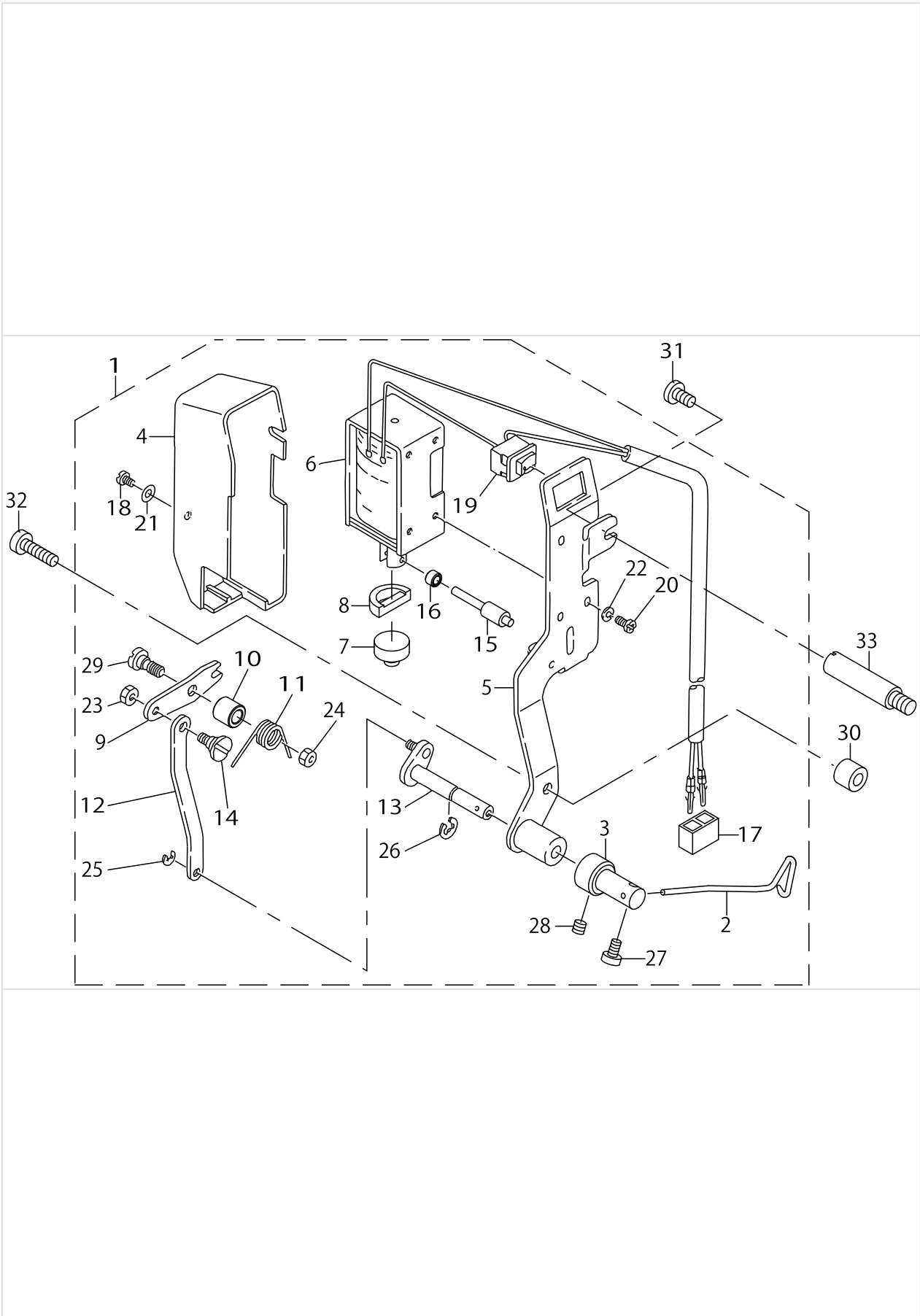


SHUTTLE DRIVER SHAFT COMPONENTS

No.	Parts No.	Parts name	Remarks	Level	Cons	Qty
48	26222208	SHUTTLE RACE ADJUSTING SHAFT				1
49	CS100081CSP	THRUST COLLAR ASM.				1
50	CS1000811SP	THRUST COLLAR		*		1
51	SS8110520TP	SCREW 11/64-40 L=4.5		*		2
52	CS080081CSH	THRUST COLLAR ASM. D=8.0 W=8				1
53	NS6660430SP	NUT 1/4-40				1
54	RE0900000K0	E-RING 9				1
55	SD0801021TP	HINGE SCREW D=8 H=10.2				1
56	40060888	SHUTTLE_DRIVER_ASM				1
57	SS6121212TP	SCREW 3/16-28 L=12.0		*		1
58	SS6151220SP	SCREW 15/64-28 L=11.5				1
59	14106256	LOWER SHAFT GEAR ASM.				1
60	B1818210D0A	SHUTTLE	FOR LK-19Δ0SS,SA			1
61	B1818210D0B	SHUTTLE,H	FOR LK-19Δ0HS,HA			1
62	SS6060410TP	SCREW 3/32-56 L=3.5				2
63	B1806210D00	BOBBIN				1
64	26221200	HOOK COVER PRESSER SPRING B				1
65	B1808980000	LOWER SHAFT THRUST WASHER				1
66	26222109	SHUTTLE UPPER SPRING				1



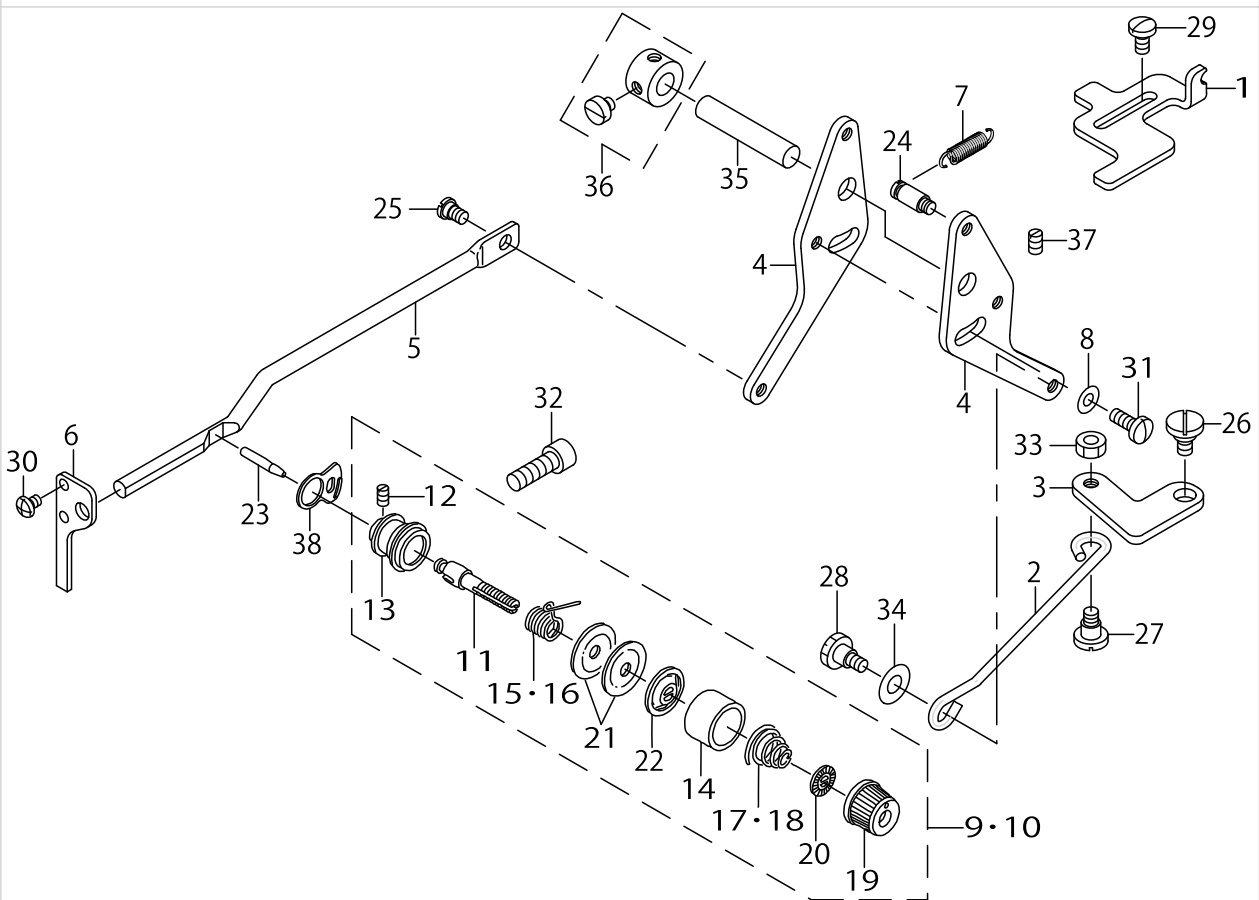
WIPER MECHANISM COMPONENTS



WIPER MECHANISM COMPONENTS

No.	Parts No.	Parts name	Remarks	Level	Cons	Qty
1	14211551	WIPER ASM.				1
2	B2107210D0A	P WIPER		*		1
3	14211502	WIPER SHAFT CAP		*		1
4	22955504	WIPER COVER		*		1
5	40034676	WIPER BASE ASM		*		1
6	40097998	WIPER SOLENOID ASM.		*		1
7	22955900	WIPER RUBBER A		*		1
8	22956007	WIPER RUBBER B		*		1
9	22956106	WIPER LINK A		*		1
10	22956205	WIPER HINGE SCREW COLLAR		*		1
11	B2130210D00	WIPER SPRING		*		1
12	22956403	WIPER LINK B		*		1
13	11111051	WIPER DRIVING SHAFT ASM.		*		1
14	22956908	WIPER LINK B HINGE SCREW		*		1
15	22957104	WIPER SOLENOID SHAFT		*		1
16	22957203	WIPER LINK COLLAR		*		1
17	HK034610020	2-POLE NYLON PLUG		*		1
18	SM4030601SN	SCREW M3X6		*		1
19	HA00600000A	SWITCH		*		1
20	SM4030601SN	SCREW M3X6		*		3
21	WP0320501SC	WASHER M3		*		1
22	WS0310002KR	SPRING WASHER 3.1X5.9X0.7		*		3
23	NS6090310SP	NUT 9/64-40		*		1
24	NS6110310SP	NUT 11/64-40		*		1
25	RE0250000K0	E-RING 2.5		*		1
26	RE0500000K0	E-RING		*		1
27	SS6090620TP	SCREW		*		1
28	SS8110422TP	SCREW 11/64-40 L=4		*		1
29	SD0650321TP	HINGE SCREW D=6.5 H=3.2		*		1
30	11315108	COLLAR				1
31	SS7110840SP	SCREW 11/64-40 L=7.8				1
32	SS6111610SP	SCREW 11/64-40 L=16				1
33	22924005	PUMP BODY STRUT				1

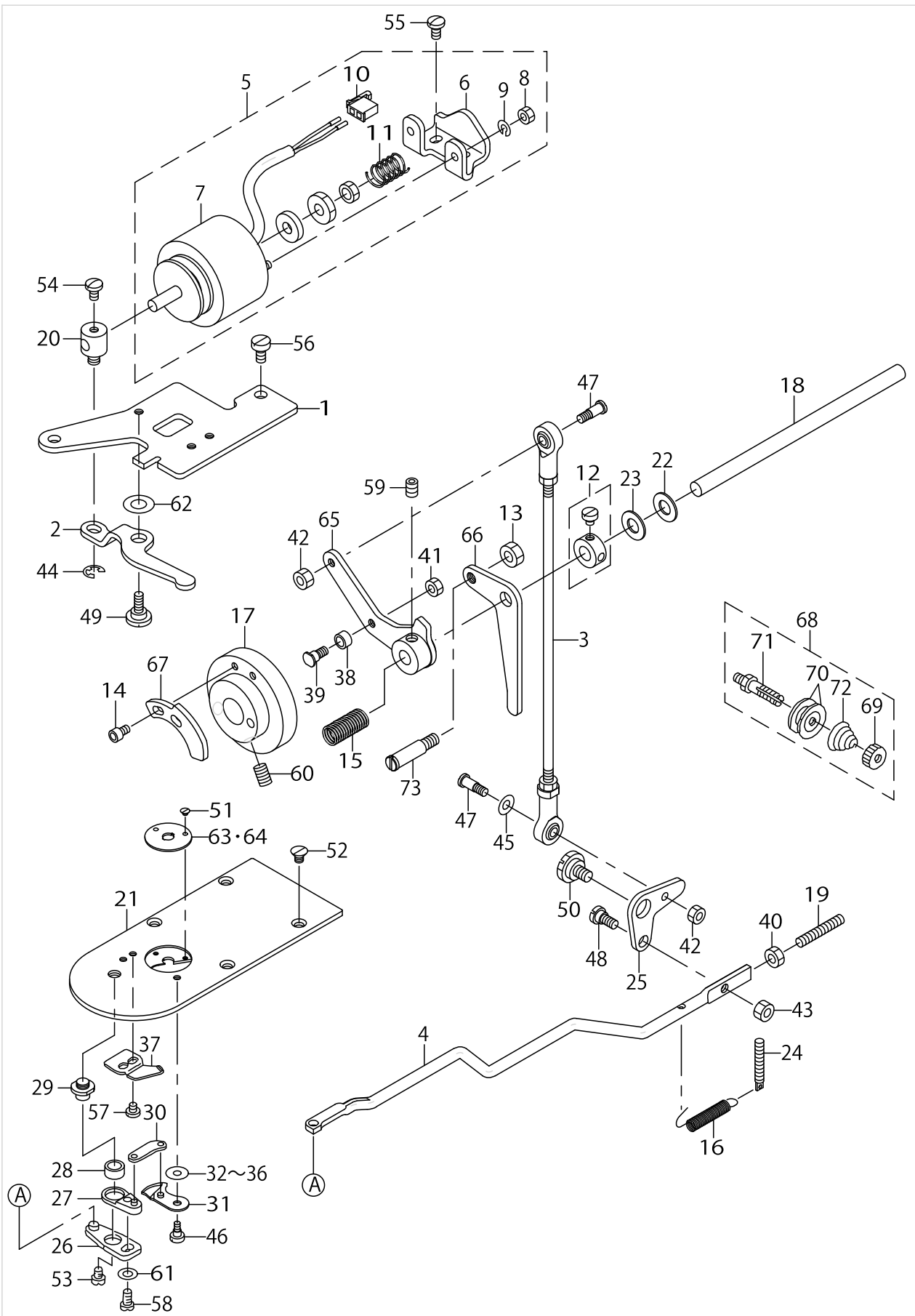
TENSION RELEASE & THREAD TENSION COMPONENTS



TENSION RELEASE & THREAD TENSION COMPONENTS

No.	Parts No.	Parts name	Remarks	Level	Cons	Qty
1	14107502	STOPPER				1
2	14107700	CONNECTING BAR				1
3	B2304210D00	TENSION RELEASE LINK				1
4	26500900	TENSION RELEASE ADJUSTING ARM				2
5	26501304	TENSION RELEASE BAR				1
6	26218404	THREAD TENSION ARM				1
7	B2545280000	PRESSURE SPRING				1
8	WP0482086SD	WASHER 4.8X11.5X2				1
9	B23022800A0	SECOND THREAD TENSION ASM.	FOR LK-19Δ0SS,SA			1
10	B23022050A0	TENSION CONTROLLER NO.2 ASM.	FOR LK-19Δ0HS,HA			1
11	B2302280000	SECOND THREAD TENSION ROD		*		1
12	SS8090610SP	SCREW 9/64-40 L=5.9		*		1
13	B2313280000	THREAD TENSION ROD, LARGE		*		1
14	B3107804000	THREAD TENSION DISK PRESSER		*		1
15	B3112761000	THREAD TAKE-UP SPRING		*		1
16	D3112L4BB00	TAKE-UP SPRING (HEAVY)		*		1
17	B3114232000	THREAD TENSION SPRING		*		1
18	B3129053000	TENSION SPRING		*		1
19	B3119771000	THREAD TENSION NUT		*		1
20	B3120125000	ROTATING STOPPER		*		1
21	B3126012000	THREAD TENSION DISK		*		2
22	B3132552000	THREAD TENSION DISK PRESSER		*		1
23	B2303280000	TENSION RELEASE PIN				1
24	26229302	SUSPENSION SCREW				1
25	SD0530221SP	HINGE SCREW D=5.3 H=2.2				1
26	SD0720321TP	HINGE SCREW				1
27	SD0640391TP	HINGE SCREW D=6.35 H=3.9				1
28	SD0640482SP	HINGE SCREW D=6.35 H=4.8				1
29	SS6110810TP	SCREW 11/64-40 L=8				2
30	SS4090515SP	SCREW 9/64-40 L=5				2
31	SS7111120TP	SCREW				1
32	SS6151812TP	SCREW 15/64-28 L=18				1
33	NS6120310SP	NUT 3/16-28				1
34	WP0651056SD	WASHER 6.5X11X1				1
35	40009290	HINGE STUD				1
36	22917157	THRUST COLLAR ASM., REAR				1
37	SS8110510SP	SCREW 11/64-40 L=5				1
38	B2702210000	GUIDE PLATE				1

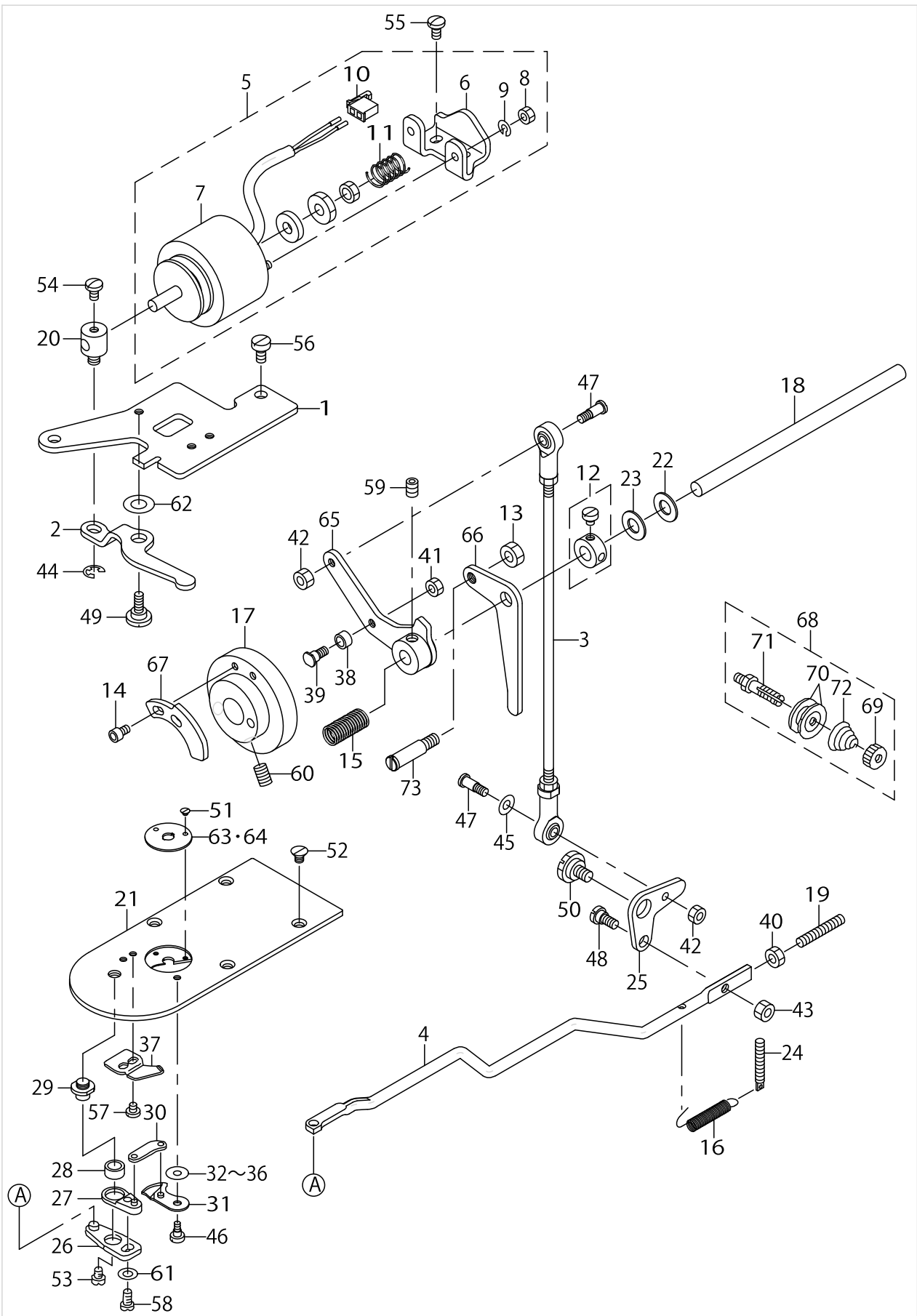
TENSION RELEASE & THREAD TRIMMER MECHANISM COMPONENTS



TENSION RELEASE & THREAD TRIMMER MECHANISM COMPONENTS

No.	Parts No.	Parts name	Remarks	Level	Cons	Qty
1	26501205	CAM FOLLOWER STOPPER				1
2	14108500	SOLENOID ARM				1
3	14108609	CONNECTING ROD				1
4	26501908	CONNECTING BAR				1
5	40104895	THREAD TRIMMER SOLENOID ASM.				1
6	14108807	SOLENOID INSTALLING BASE		*		1
7	40104889	THREAD TRIMMER SOLENOID		*		1
8	NM6040001SE	NUT M4		*		2
9	WS0410002KR	SPRING WASHER, M4		*		2
10	HK034610020	2-POLE NYLON PLUG		*		1
11	13216601	PUSH BUTTON SPRING		*		1
12	CS080081BSH	THRUST COLLAR ASM. D=8.0 W=8				1
13	NS6150310SP	NUT 15/64-28				1
14	SM6040602TP	SCREW M4 L=6				2
15	B2617771000	TRIPPING LEVER TENSION SPRING				1
16	14109300	THREAD TRIM LINK SPRING				1
17	B2401210D00	THREAD TRIMMER CAM				1
18	B2408210D00	THREAD TRIMMER SHAFT				1
19	SM8053002TP	SCREW M5 L=30				1
20	22951008	SOLENOID PIN				1
21	14213003	NEEDLE PLATE				1
22	B1223771000	NEEDLE ROD CRANK WASHER				1
23	B1116804000	CLOTH PLATE WASHER				1
24	26226506	SPRING HOOK				1
25	B2411210000	THREAD TRIMMER LINK				1
26	B24142800A0	THREAD CUTTER LEVER ASM., LARGE				1
27	B24152800A0	THREAD CUTTER LEVER ASM., SMALE				1
28	B2416280000	THREAD CUTTING LEVER RING				1
29	B2417280000	THREAD CUTTER LEVER SHAFT				1
30	B2418280000	MOVING KNIFE LINK				1
31	B24212800A0	MOVING KNIFE ASM.				1
32	B242328000A	MOVING KNIFE WASHER A	SELECTIVE PARTS			1
33	B242328000B	MOVING KNIFE WASHER B	SELECTIVE PARTS			1
34	B242328000C	MOVING KNIFE WASHER C	SELECTIVE PARTS			1
35	B242328000D	MOVING KNIFE WASHER D	SELECTIVE PARTS			1
36	B242328000E	MOVING KNIFE WASHER E	SELECTIVE PARTS			1
37	B2424280000	FIXING KNIFE				1
38	D2587L8WB00	ROLLER				1
39	D2588L8WB00	ROLLER SHAFT				1
40	NM6050001SP	NUT M5				1
41	NS6110420SP	NUT 11/64-40				1
42	NS6110420SP	NUT 11/64-40				2
43	NS6120310SP	NUT 3/16-28				1
44	RE0500000K0	E-RING				1
45	WP0501016SD	WASHER 5X10.5X1				1
46	SD0500091TP	HINGE SCREW D=5.0 H=0.9				1
47	SD0500803TP	HINGE SCREW D=5 H=8				2

TENSION RELEASE & THREAD TRIMMER MECHANISM COMPONENTS

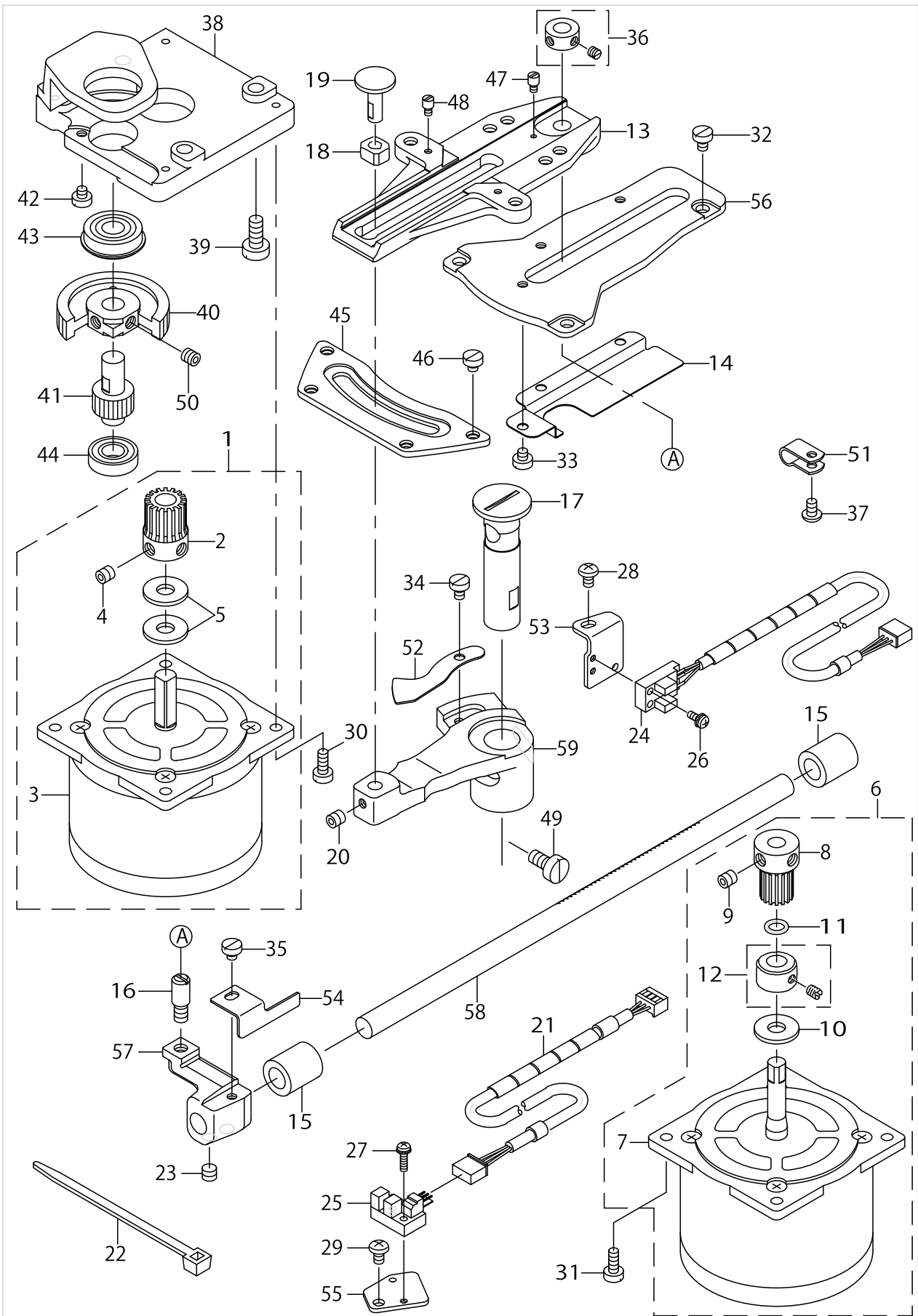


TENSION RELEASE & THREAD TRIMMER MECHANISM COMPONENTS

No.	Parts No.	Parts name	Remarks	Level	Cons	Qty
48	SD0650305TP	HINGE SCREW D=6.5 H=3				1
49	SD0790311TP	HINGE SCREW D=7.94 H=3.1				1
50	SD1100301TP	HINGE SCREW H=11 W=3				1
51	SS1060210TP	SCREW 3/32-56 L=2.2				2
52	SS1110640TP	SCREW 11/64-40 L=5.5				4
53	SS6110430TP	SCREW 11/64-40 L=4.0				1
54	SS7110740TP	SCREW 11/64-40 L=7				1
55	SS7110840SP	SCREW 11/64-40 L=7.8				2
56	SS6120930SP	SCREW 3/16-28 L=9				2
57	SS7090410SP	SCREW 9/64-40 L=3.5				2
58	SS7110740TP	SCREW 11/64-40 L=7				1
59	SS8150822TP	SCREW 15/64-28 L=8				1
60	SS8661012TP	SCREW				2
61	WP0450846SP	WASHER				1
62	WP0553216SD	WASHER				1
63	D2426284M00	NEEDLE HOLE GUIDE	FOR LK-19△0SS,SA			1
64	14109607	NEEDLE HOLE GUIDE	FOR LK-19△0HS,HA			1
65	14109250	CAM FOLLOWER ASM.				1
66	14107601	THREAD RELEASE ARM				1
67	B2312210D00	TENSION RELEASE NOTCH				1
68	26218651	FIRST THREAD TENSION ASM.				1
69	22928808	NUT		*		1
70	22921506	THREAD TENSION DISK		*		2
71	26220400	THREAD TENSION ROD		*		1
72	26218602	FIRST THREAD TENSION SPRING		*		1
73	26500504	TENSION RELEASE ARM PIN				1



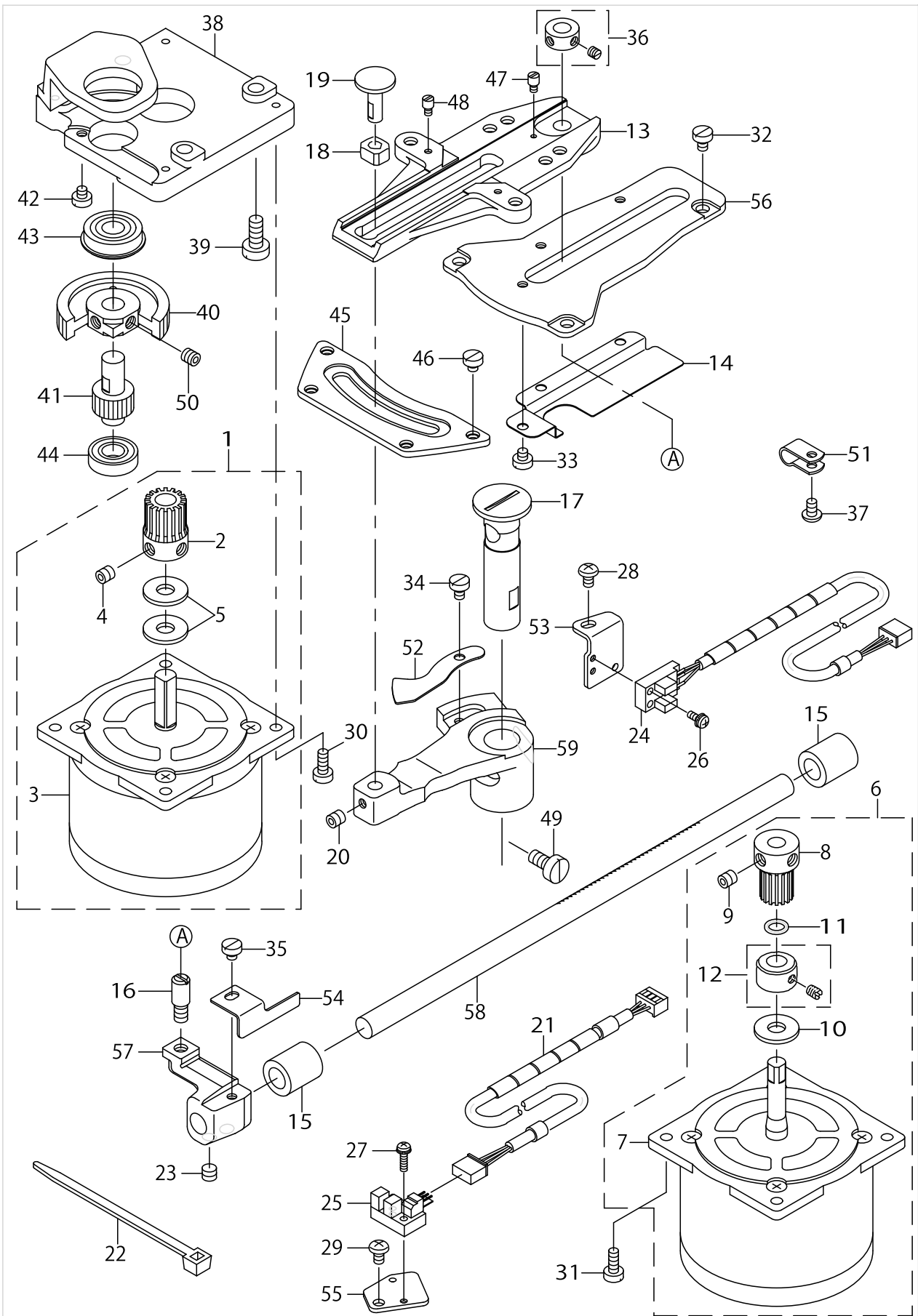
FEED MECHANISM COMPONENTS



FEED MECHANISM COMPONENTS

No.	Parts No.	Parts name	Remarks	Level	Cons	Qty
1	14216352	CROSSFEED MOTOR ASM.				1
2	26501403	CROSSFEED GEAR		*		1
3	14216303	CROSSFEED STEPPING MOTOR		*		1
4	SM8060812TP	SCREW M6 L=8		*		2
5	14112502	RUBBER WASHER		*		2
6	14216469	VERTICAL FEED MOTOR ASM.				1
7	14216410	LENGTHWISE STEPPING MOTOR		*		1
8	26501502	VERTICAL FEED GEAR		*		1
9	SM8060812TP	SCREW M6 L=8		*		2
10	14112502	RUBBER WASHER		*		1
11	RO069180100	RUBBER RING		*		1
12	CS095081ASH	THRUST COLLAR ASM. D=9.53 W=8		*		1
13	14214019	CLOTH FEED PLATE				1
14	14215701	CLOTH FEED SUPPORT PLATE COVER				1
15	B2509704000	BUSHING, REAR				2
16	B1456057000	HINGE SCREW				1
17	14214506	CROSSFEED FULCRUM SHAFT				1
18	B1414232000	SQUARE BLOCK				1
19	26223305	SLIDE BLOCK STUD				1
20	SM8060612TP	SCREW M6 L=6				1
21	14221352	Y SENSOR CABLE ASM.				1
22	EA9500B0100	CABLE BAND				1
23	SS8660612TP	SCREW 1/4-40 L=6				2
24	14221451	CROSSFEED ZERO SENSOR ASM.				1
25	HD00057000A	PHOTO SENSOR				1
26	SL4030881SC	SCREW M3X8				2
27	SL4031291SC	SCREW M3X12				1
28	SS4110715SP	SCREW 11/64-40 L=7				1
29	SS4110715SP	SCREW 11/64-40 L=7				1
30	SS6111140SP	SCREW 11/64-40 L=11				4
31	SS6111140SP	SCREW 11/64-40 L=11				4
32	SS6110610TP	SCREW 11/64-40 L=6				3
33	SS7110410SP	SCREW 11/64-40 L=4				3
34	SS6110610TP	SCREW 11/64-40 L=6				1
35	SS6110480SP	SCREW 11/64-40 L=4.3				1
36	CS079073BSH	THRUST COLLAR				1
37	SS4110715SP	SCREW 11/64-40 L=7				2
38	14215057	MOTOR BASE COMPL.				1
39	SS6151440SP	SCREW 15/64-28 L=14				3
40	14215404	CROSSFEED GEAR (LARGE)				1
41	14215305	CROSSFEED GEAR (SMALL)				1
42	SS6110480SP	SCREW 11/64-40 L=4.3				1
43	SB110001300	BEARING				1
44	SB110000900	BEARING				1
45	14214308	CROSSFEED SLIDE PLATE				1
46	SS6110420TP	SCREW 11/64-40 L=4.8				4
47	B151902600G	HINGE STUD				1

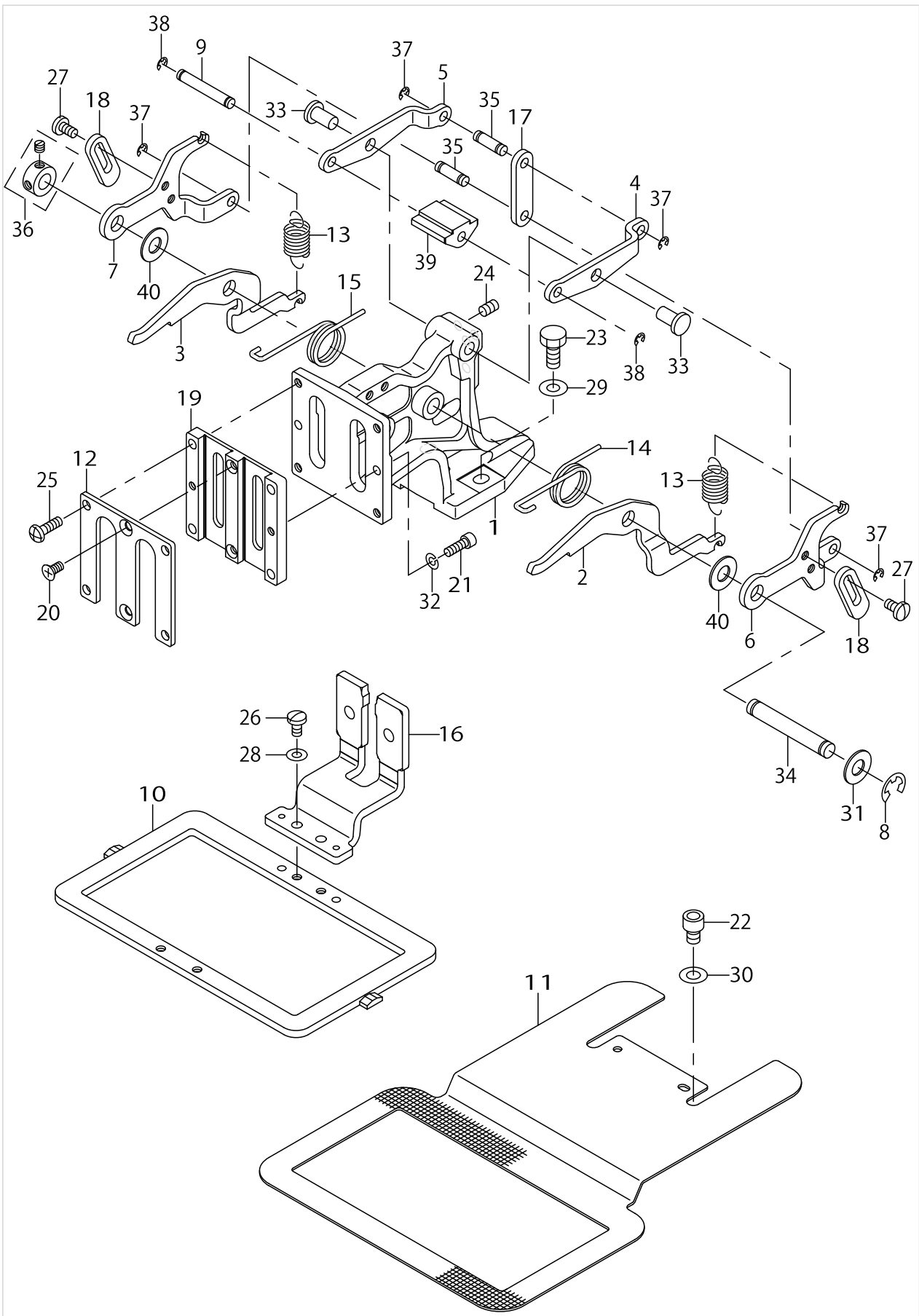
FEED MECHANISM COMPONENTS



FEED MECHANISM COMPONENTS

No.	Parts No.	Parts name	Remarks	Level	Cons	Qty
48	B151902600G	HINGE STUD				2
49	SS6151220SP	SCREW 15/64-28 L=11.5				1
50	SM8060612TP	SCREW M6 L=6				2
51	HX00150000B	CABLE CLIP				1
52	14214712	CROSSFEED SENSOR UNIT				1
53	14214803	CROSSFEED SENSOR FITTING BASE				1
54	14216006	VERTICAL FEED SENSOR SLIT				1
55	40028986	SENSOR INSTALLING BASE				1
56	14215602	CLOTH FEED SUPPORT PLATE				1
57	14215909	VERTICAL FEED ARM				1
58	14216204	VERTICAL FEED SHAFT				1
59	14214605	CROSSFEED ARM				1

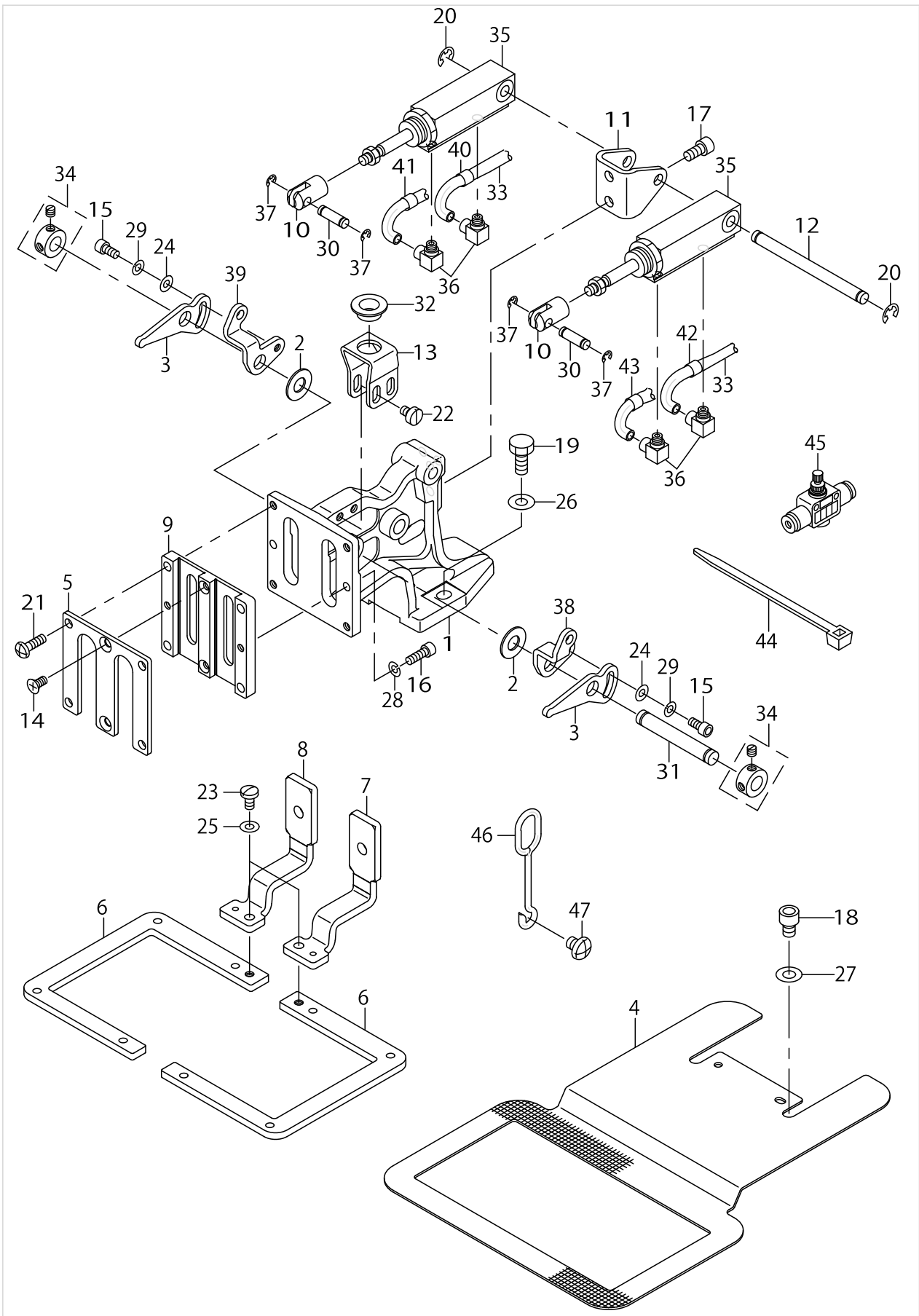
CLOTH FEED MECHANISM COMPONENTS (FOR LK-19△0SS,19△0HS)



CLOTH FEED MECHANISM COMPONENTS (FOR LK-19△0SS,19△0HS)

No.	Parts No.	Parts name	Remarks	Level	Cons	Qty
1	14216501	CLOTH FEED BASE				1
2	14217004	CLOTH PRESSER HOOK,RIGHT				1
3	14217103	CLOTH PRESSER HOOK,LEFT				1
4	B2577210D00	FEED BRACKET UPPER LINK,RIGHT				1
5	B2578210D00	FEED BRACKET UPPER LINK,LEFT				1
6	B2574210D00	SUPPORT LINK,RIGHT				1
7	B2575210D00	SUPPORT LINK,LEFT				1
8	RE0700000K0	E-RING 7				1
9	B2573210D00	SLIDER SHAFT				1
10	B2553210D00	FEEDING FRAME				1
11	14218002	LOWER PLATE				1
12	B2572210D00	WORK CLAMP FOOT PLATE COVER				1
13	14216808	SPRING				2
14	B2581210D00	SPRING,RIGHT				1
15	B2582210D00	SPRING,LEFT				1
16	14217764	WORK CLAMP FOOT COMPL.				1
17	B2576210D00	FEED BRACKET LINK				1
18	B2580210D00	LINK STOPPER				2
19	B2610210D00	WORK CLAMP FOOT PLATE				1
20	SM1040801SP	SCREW M4X0.7 L=8				2
21	SM6041202TP	SCREW M4X0.7 L=12				2
22	SM6060802TP	SCREW M6 L=8				2
23	SM9061403CP	SCREW M6 L=14				2
24	SM8050812TP	SCREW M5X8				2
25	SS4111415SP	SCREW 11/64-40 L=14				4
26	SS7110840SP	SCREW 11/64-40 L=7.8				2
27	SS7110840SP	SCREW 11/64-40 L=7.8				4
28	WP0480856SP	WASHER 4.8X8.4X0.8				2
29	WP0621016SD	WASHER 6.2X13X1				2
30	WP0621016SD	WASHER 6.2X13X1				2
31	B255728000C	WASHER				1
32	WS0410002KP	SPRING WASHER				2
33	B1626555000	FEED REGULATOR CONNECTING ROD				2
34	D2502232D00	SHAFT BLOCK SHAFT				1
35	MAT80114T00	PLUNGER PIN				2
36	22917058	THRUST COLLAR ASM., FRONT				1
37	RE0300000K0	E-RING 3				4
38	RE0300000K0	E-RING 3				2
39	B2579210D00A	SLIDER				1
40	13540406	WASHER				2

CLOTH FEED MECHANISM COMPONENTS (FOR LK-19△0HA,19△0SA)

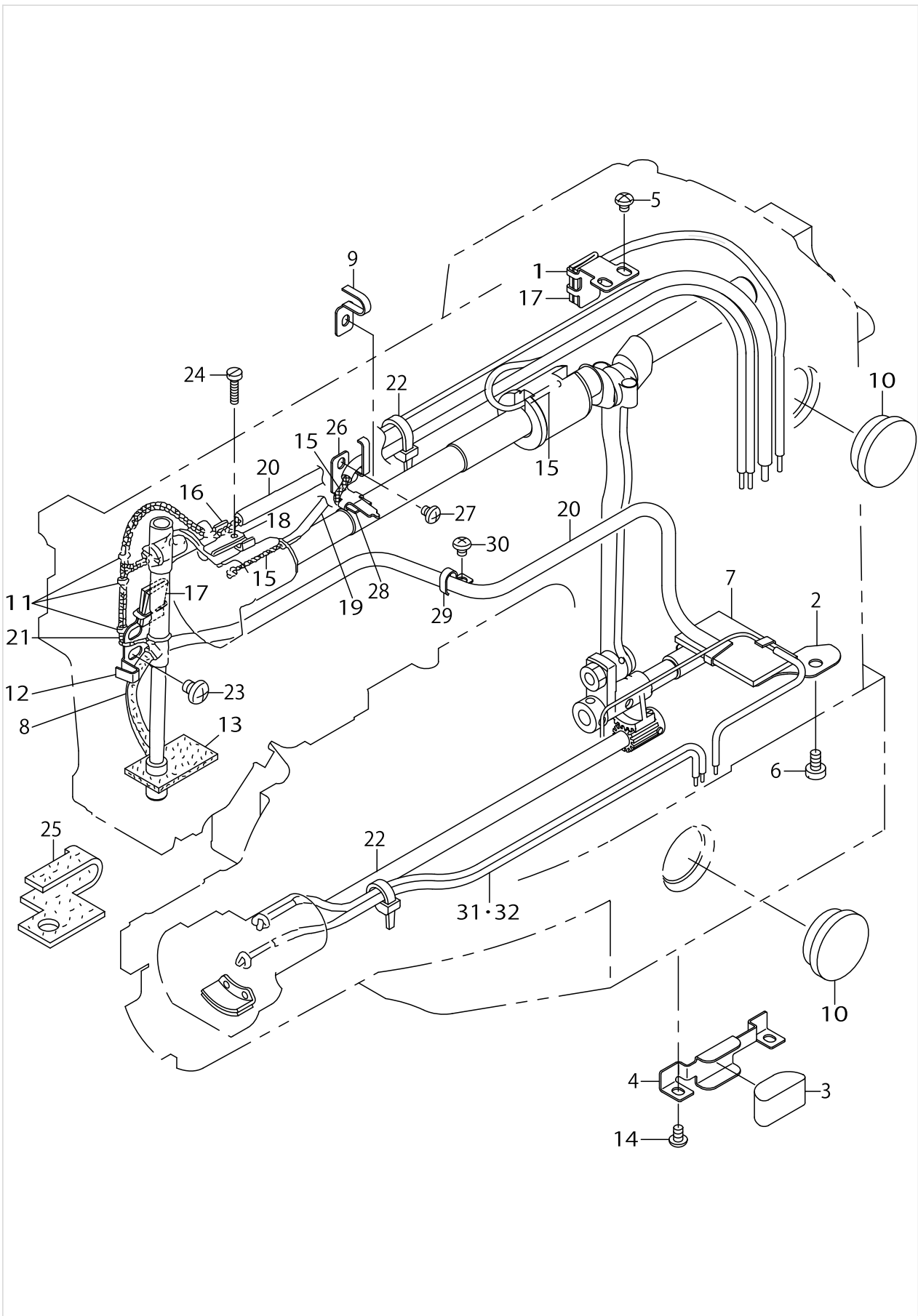


CLOTH FEED MECHANISM COMPONENTS (FOR LK-19△0HA,19△0SA)

No.	Parts No.	Parts name	Remarks	Level	Cons	Qty
1	14216501	CLOTH FEED BASE				1
2	B255728000C	WASHER				2
3	14217202	HOOK A				2
4	14218002	LOWER PLATE				1
5	B2572210D00	WORK CLAMP FOOT PLATE COVER				1
6	B2554210D00	FEEDING FRAME				2
7	14217855	WORK CLAMP FOOT COMPL.,RIGHT				1
8	14217954	WORK CLAMP FOOT COMPL.,LEFT				1
9	B2610210D00	WORK CLAMP FOOT PLATE				1
10	B2566210D00	CYLINDER KNUCKLE				2
11	B2567210D00	CYLINDER INSTALLING BASE				1
12	B2561210D00	CYLINDER SHAFT				1
13	14217509	SLIDER BASE				1
14	SM1040801SP	SCREW M4X0.7 L=8				2
15	SM6040802TP	SCREW M4X0.7 L=8				2
16	SM6041202TP	SCREW M4X0.7 L=12				2
17	SM6051002TP	SCREW M5X0.8 L=10				2
18	SM6060802TP	SCREW M6 L=8				2
19	SM9061403CP	SCREW M6 L=14				2
20	RE0500000K0	E-RING				2
21	SS4111415SP	SCREW 11/64-40 L=14				4
22	SS6110610TP	SCREW 11/64-40 L=6				4
23	SS7110840SP	SCREW 11/64-40 L=7.8				2
24	WP0450000SD	WASHER 4.5X8X0.5				2
25	WP0480856SP	WASHER 4.8X8.4X0.8				2
26	WP0621016SD	WASHER 6.2X13X1				2
27	WP0621016SD	WASHER 6.2X13X1				2
28	WS0410002KP	SPRING WASHER				2
29	WS0410002KP	SPRING WASHER				2
30	B1626220000	CYLINDER PIN				2
31	D2502232D00	SHAFT BLOCK SHAFT				1
32	E2193172000	PT EV PP METAL				1
33	BT0400251EB	URETHANE HOSE, BLACK				2.4
34	22917058	THRUST COLLAR ASM., FRONT				2
35	PA1602006A0	AIR CYLINDER				2
36	PJ046052503	HOSE ELBOW				4
37	RE0300000K0	E-RING 3				4
38	14217301	HOOK B,RIGHT				1
39	14217400	HOOK B,LEFT				1
40	B471122000D	AIR TUBE LABEL J04 LEFT				1
41	B471122000C	AIR TUBE LABEL J03 LEFT				1
42	B471122000H	AIR TUBE LABEL J04 RIGHT				1
43	B471122000G	AIR TUBE LABEL J03 RIGHT				1
44	EA9500B0100	CABLE BAND				3
45	PC012401000	SPEED CONTROLLER				2
46	B3403761000	PRESSER BAR LIFTING ROD	FORLK-1910SA,HA			1
47	SS4150715SP	SCREW 15/64-28 L=7	FORLK-1910SA,HA			1



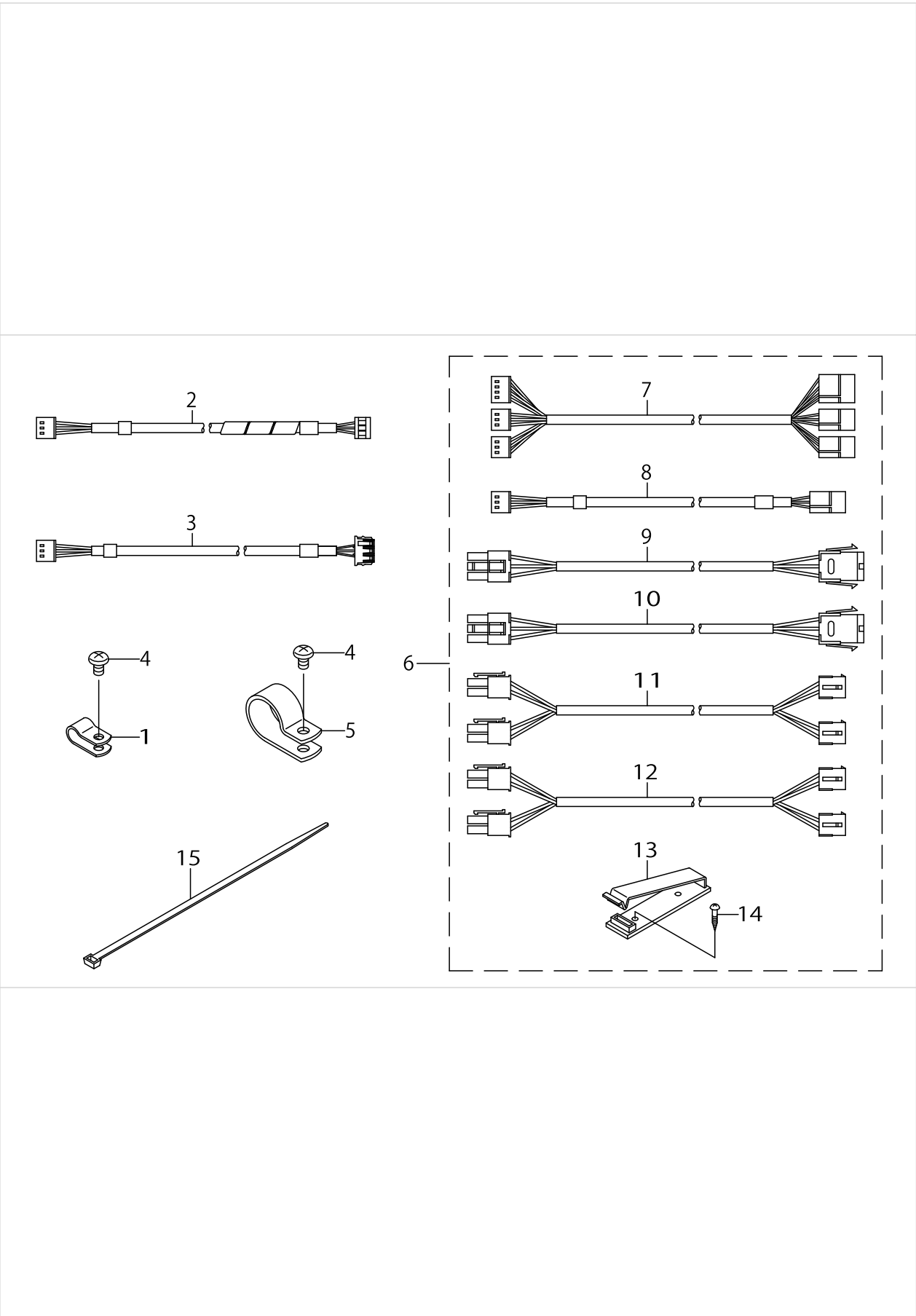
LUBRICATION COMPONENTS



LUBRICATION COMPONENTS

No.	Parts No.	Parts name	Remarks	Level	Cons	Qty
1	14114102	CLUTCH ROD OIL SHIELD				1
2	14114904	LOWER SHAFT OIL SHIELD				1
3	14114300	OIL FELT				1
4	14114409	FELT PRESSER				1
5	SS4110515SP	SCREW 11/64-40 L=5				2
6	SS6120930SP	SCREW 3/16-28 L=9				1
7	B3509210D00	OIL FELT				1
8	B3541012000	OIL WICK				0.51
9	B3523980000	OIL WICK PIPE STOPPER	FOR LK-1910			1
10	B3501210000	OIL GAUGE				2
11	26230706	OIL WICK PRESSER				3
12	14219513	LUBRICATION PLATE				1
13	14114607	FACE FELT	FOR LK-1910			1
14	SS4110715SP	SCREW 11/64-40 L=7				2
15	CQ200000000	OIL WICK				1.8
16	26231407	BALANCE LUBRICATING PLATE				1
17	B3509280000	NEEDLE ROD CRANK LUBRICATING				2
18	B3518280000	BALANCE LUBRICATING				1
19	23630007	TUBE				0.7
20	BP600000000	VINYL PIPE				0.67
21	CQ252200000	OIL WICK				1.6
22	EA9500B0100	CABLE BAND				2
23	SS4150715SP	SCREW 15/64-28 L=7				2
24	SS6092120SP	SCREW 9/64-40 L=21.2				1
25	14219604	OIL FELT	FOR LK-1920			1
26	14219711	LUBRICATION PLATE	FOR LK-1920			1
27	SS4110515SP	SCREW 11/64-40 L=5	FOR LK-1920			1
28	B3518280000	BALANCE LUBRICATING	FOR LK-1920			1
29	26231902	OIL WICK PIPE STOPPER				1
30	SS4110515SP	SCREW 11/64-40 L=5				1
31	CQ202000000	OIL WICK				1.06
32	BP300000100	VINYL TUBE				0.7

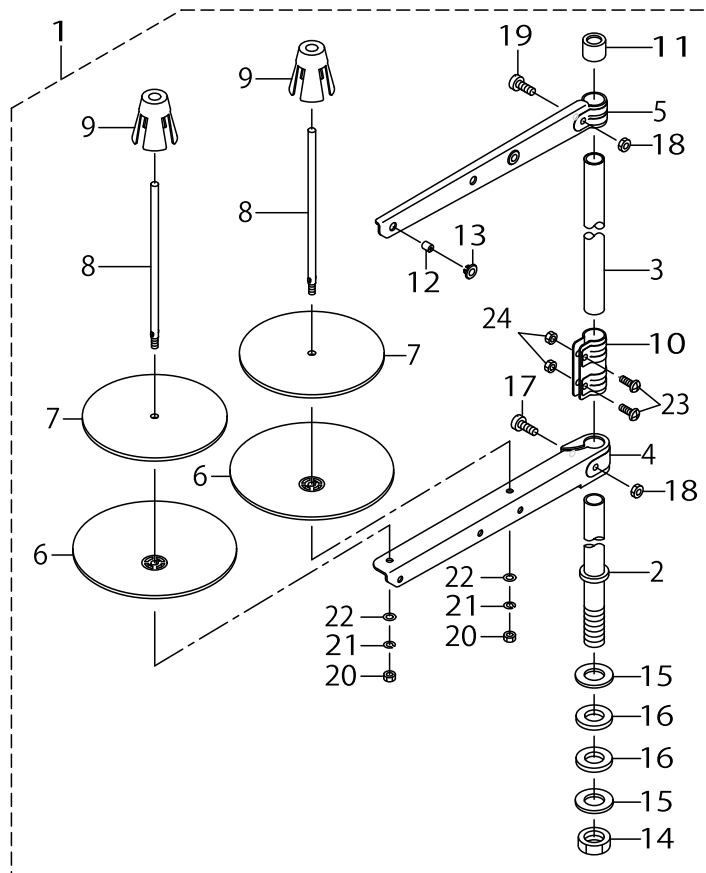
SENSOR & EXTENSION CABLE COMPONENTS



SENSOR & EXTENSION CABLE COMPONENTS

No.	Parts No.	Parts name	Remarks	Level	Cons	Qty
1	HX00150000B	CABLE CLIP	FOR LK-1920,30			1
2	14221352	Y SENSOR CABLE ASM.				1
3	14115356	MAIN SHAFT SENSOR CABLE ASM.				1
4	SS4110715SP	SCREW 11/64-40 L=7				1
5	HX00150000J	CLIP	FOR LK-1910			1
6	M85985920A0	EXTENSION CABLE MAS.ASM.	FOR JUS			1
7	M90445920A0	SENSOR EXTENSION CABLE ASM.		*		1
8	M90475900A0	SENSOR EXTENSION CABLE ASM.		*		1
9	M90415900A0	EXTENSION CABLE ASM.		*		1
10	M90425900A0	EXTENSION CABLE ASM.		*		1
11	M90435900A0	SOLENOID EXTENSION CABLE ASM.		*		1
12	M90435920A0	SOLENOID EXTENSION CABLE A ASM		*		1
13	M964051000A	CABLE CLIP		*		1
14	SK3382001SE	SCREW D=3.8 L=20		*		2
15	EA9500B0200	CABLE BAND 150	FOR LK-1910			1

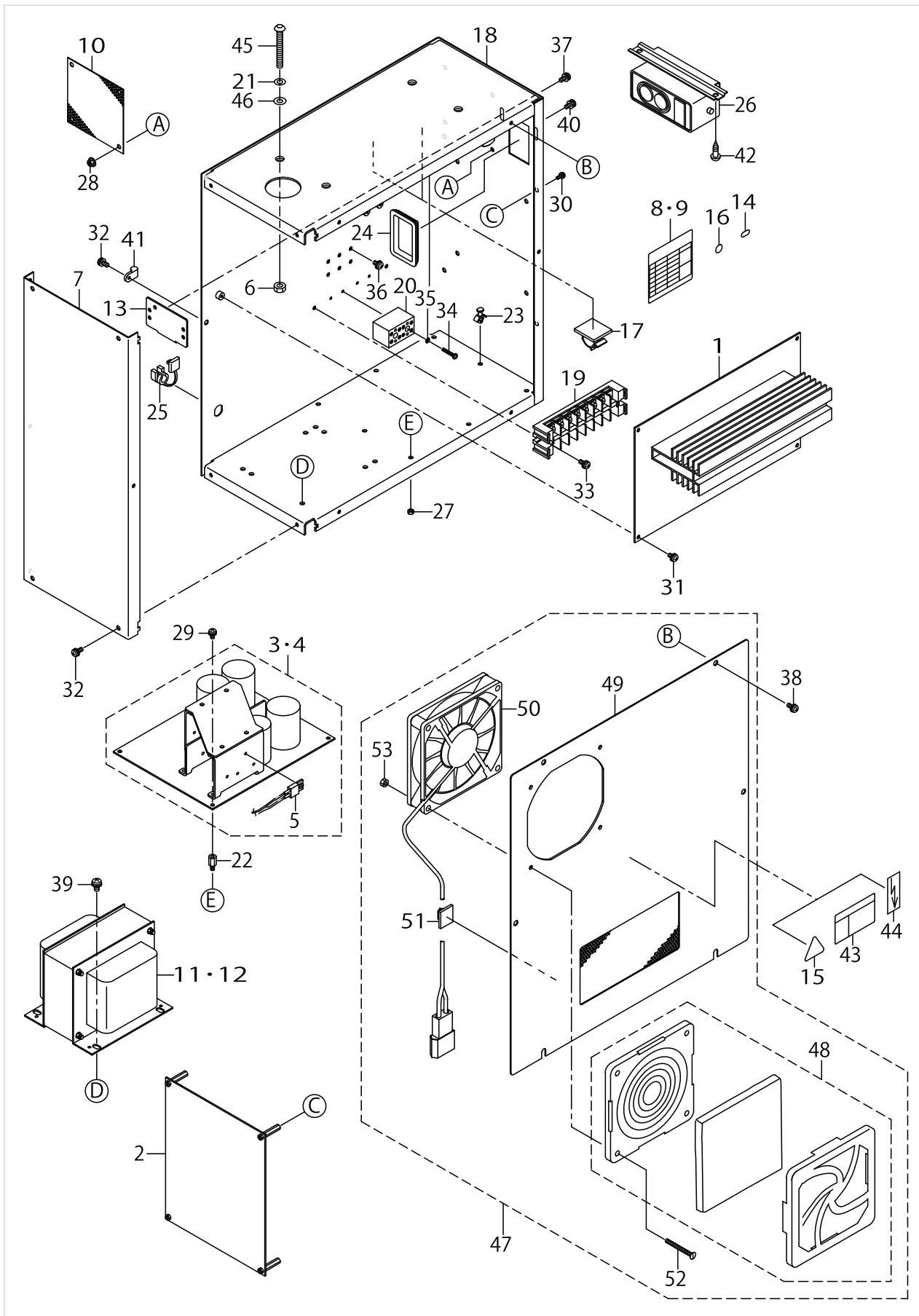
THREAD STAND COMPONENTS



THREAD STAND COMPONENTS

No.	Parts No.	Parts name	Remarks	Level	Cons	Qty
1	40096354	THREAD STAND ASM.				1
2	40085784	SPOOL REST ROD LOWER		*		1
3	40085785	SPOOL REST ROD UPPER		*		1
4	40085786	SPOOL REST ARM LOWER		*		1
5	40085787	SPOOL REST ARM UPPER		*		1
6	40085788	SPOOL REST		*		2
7	40085789	SPOOL REST CUSHION		*		2
8	40085790	SPOOL PIN		*		2
9	40085791	SPOOL RETAINER		*		2
10	40085792	SPOOL REST ROD JOINT		*		1
11	40085793	SPOOL REST ROD RUBBER CAP		*		1
12	40085794	THREAD GUIDE		*		2
13	40085795	THREAD GUIDE BUSHING		*		2
14	40096325	SPOOL REST ROD NUT		*		1
15	WP1612616SE	WASHER 16X30X2.6		*		2
16	40085796	SPOOL REST ROD RUBBER CUSHION		*		2
17	40096326	SPOOL REST ARM LOWER SCREW		*		1
18	NM6050001SE	NUT M5		*		2
19	40096327	SPOOL REST ARM UPPER SCREW		*		1
20	NM6050001SE	NUT M5		*		2
21	WS0510002KN	SPRING WASHER M5		*		2
22	WP0531001SC	WASHER M5		*		2
23	SM4051405SE	SCREW M5 L=14		*		2
24	NM6050001SE	NUT M5		*		2

# CONTROL BOX COMPONENTS

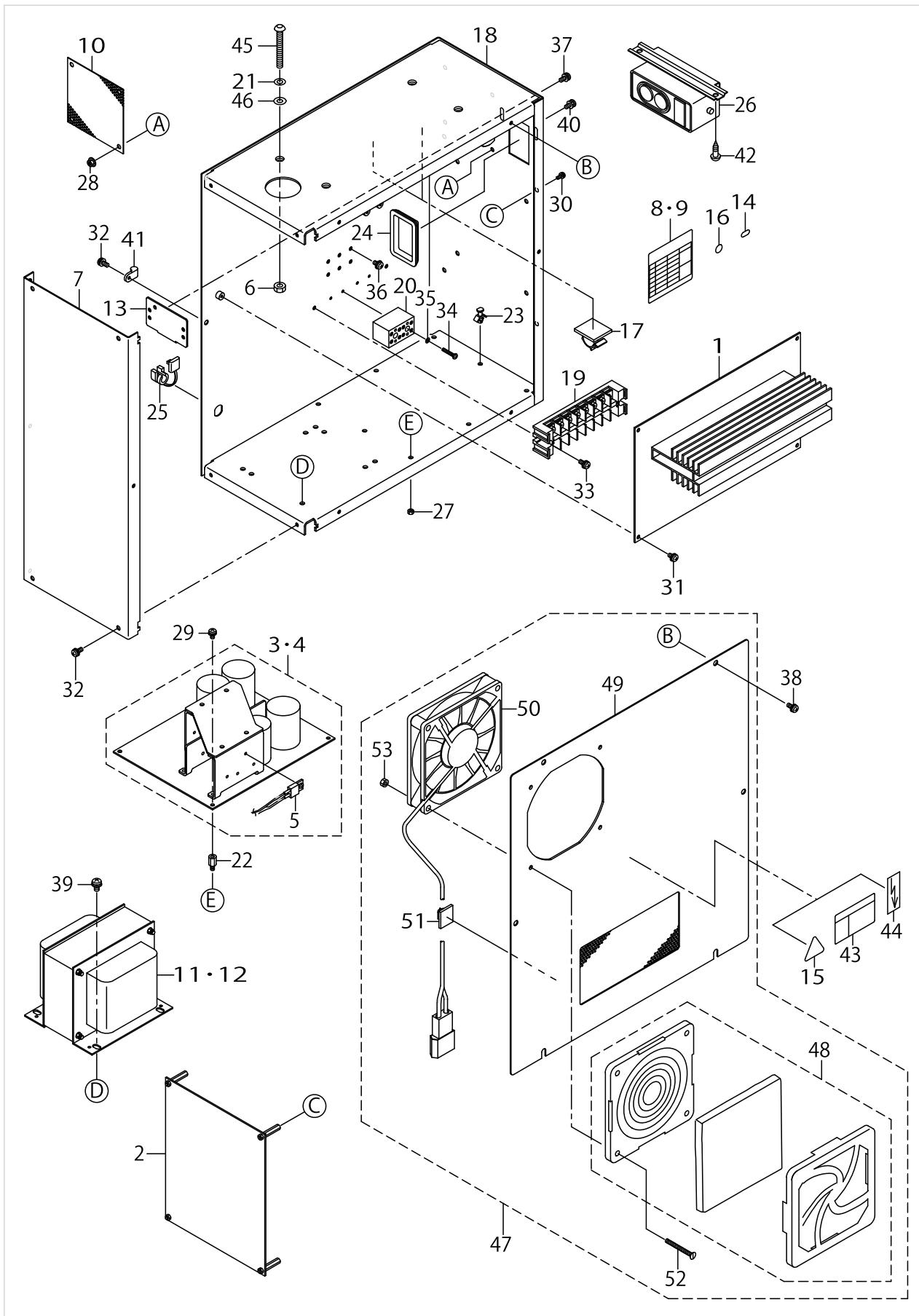


CONTROL BOX COMPONENTS

No.	Parts No.	Parts name	Remarks	Level	Cons	Qty
1	M8601592AA0	MAIN CIRCUIT BOARD A ASM.				1
2	40150001	SDC PCB ASSY				1
3	M86045900C0	POWER CIRCUIT BOARD ASM.	FOR 100V~200V			1
4	M8604590AC0	POWER CIRCUIT BOARD A ASM.	FOR 380V			1
5	M89105900A0	THERMOSTAT ASM.		*		1
6	NM6060001SC	NUT M6				4
7	M1003590000	CONTROL BOX PANEL				1
8	M300359000A	SEAL A	FOR 100V~200V			1
9	M300258000B	SEAL B	FOR 380V			1
10	M1004581000	VENTILATION COVER				1
11	M8901592AA0	TRANSFORMER A ASM.	FOR 100V~200V			1
12	M8901592BA0	TRANSFORMER B ASM.	FOR 380V			1
13	17845009	CORD FITTING PLATE				1
14	CM200100001	PE MARK LABEL	FOR 380V			1
15	CM300100001	LABEL	FOR 380V			1
16	E9567319000	EARTH MARK				1
17	E9609603000	STICKER (LARGE)				2
18	M1001590000	CONTROL BOX				1
19	HK026650080	TERMINAL BASE 8P	FOR 100V~200V			1
20	HK054250040	TERMINAL BASE	FOR 380V			2
21	WS0610002KN	SPRING WASHER 6.1X12.2X1.5				4
22	HX00056000B	SPACER				4
23	HX00147000C	SPACER				4
24	HX004070000	BUSH				1
25	HX004100000	BUSH				1
26	HA004250000	SWITCH	EXCEPT JE			1
27	NM3034000SF	FLANGE NUT				4
28	NM3040520SF	FLANGE NUT M4				4
29	SL4030681SF	SCREW M3 L=6				4
30	SL4030891SC	SCREW M3X8				4
31	SL4040881SF	SCREW M4 L=8				4
32	SL4041091SC	SCREW M4 L=10				7
33	SL4041081SF	SCREW M4 L=10	FOR 100V~200V			2
34	SM4031851SR	SCREW	FOR 380V			4
35	WS0310702KS	SPRING WASHER	FOR 380V			4
36	SL4040681SC	SCREW M4 L=6				4
37	SL4041091SC	SCREW M4 L=10				2
38	SL4041091SC	SCREW M4 L=10				6
39	SL4051091SC	SCREW M5X0.8 L=10				4
40	SL4041091SC	SCREW M4 L=10				4
41	HX00123000B	CABLE CLIP				1
42	SK3482001SE	WOOD SCREW D=4.8 L=20	EXCEPT JE			2
43	CM300100101	DANGER LABEL (SMALL)	FOR 100~200V(USE IN JAPAN)			1
44	G6705152U0A	LABEL	FOR 100~200V(EXPORT)			1
45	SM3065052TC	SCREW				4
46	WP0651001SC	WASHER				4
47	M85205920A0	FAN COVER ASM.				1



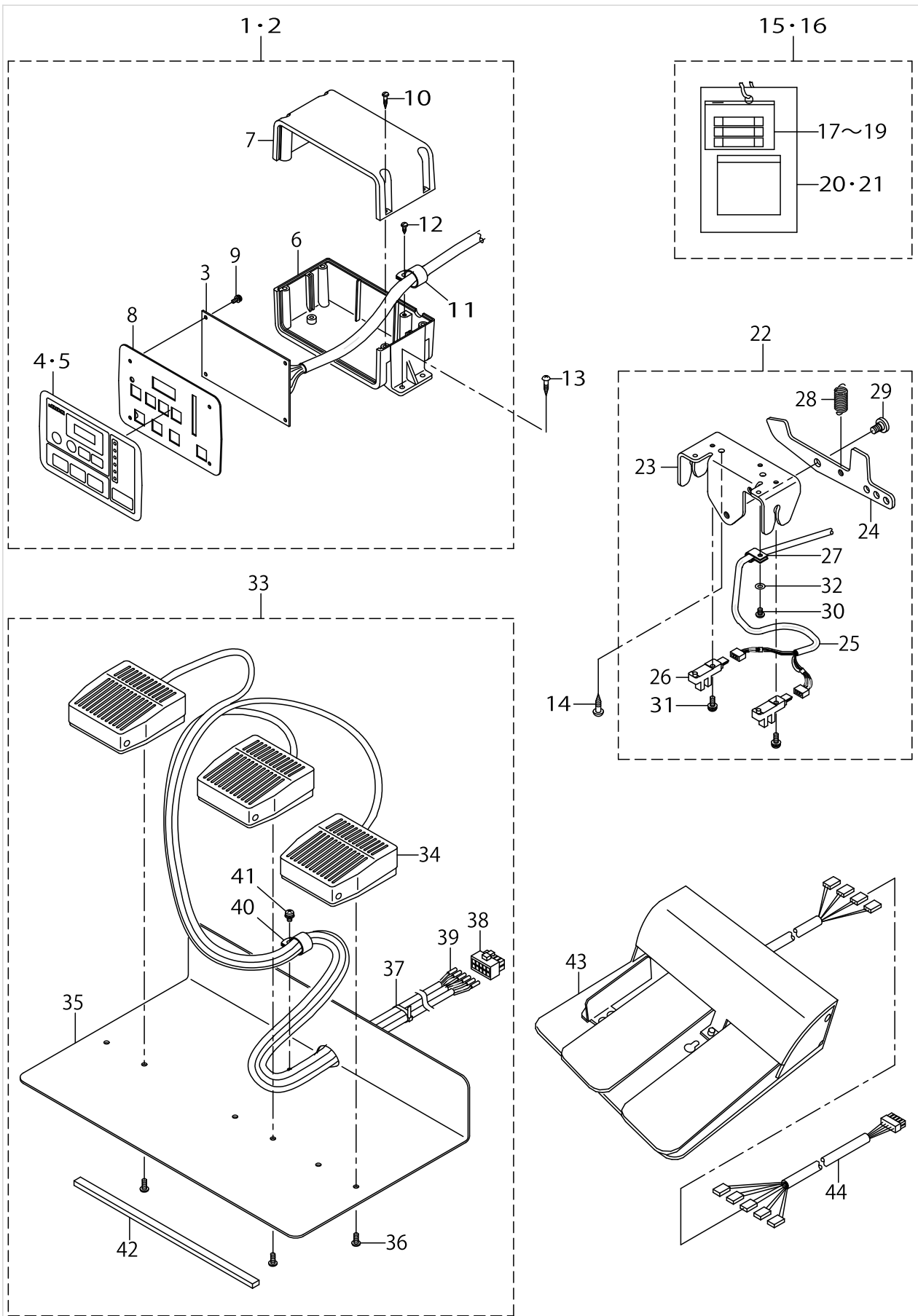
# CONTROL BOX COMPONENTS



## CONTROL BOX COMPONENTS

No.	Parts No.	Parts name	Remarks	Level	Cons	Qty
48	HM000630010	FILTER		*		1
49	M10025920A0	CONTROL BOX COVER ASM.		*		1
50	M85105810A0	FAN ASM.		*		1
51	E9607603000	STICKER (SMALL)		*		1
52	SM1044050SM	SCREW M4X0.7 L=40		*		4
53	NM3040520SF	FLANGE NUT M4		*		4

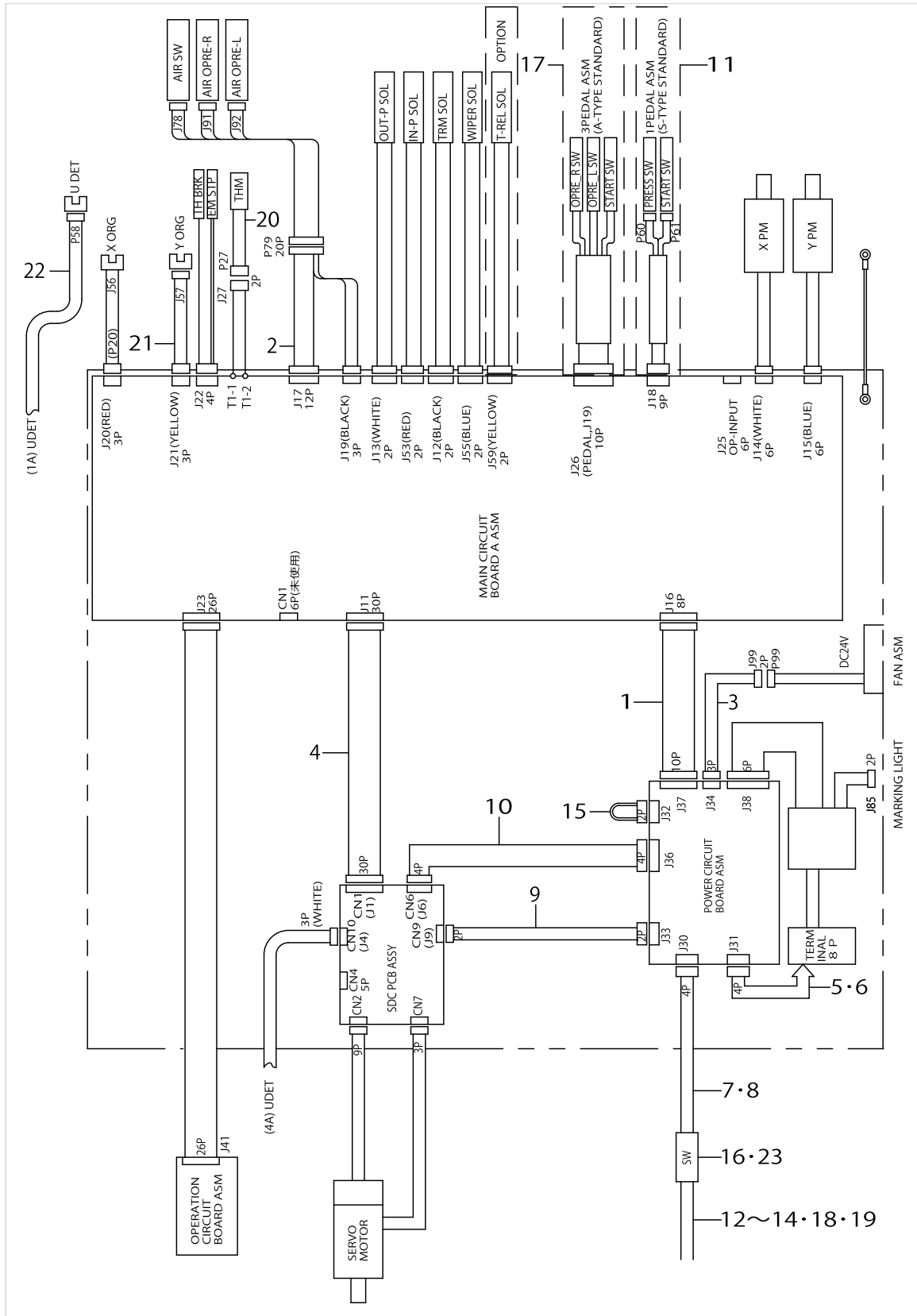
OPERATION BOX & PEDAL COMPONENTS



OPERATION BOX & PEDAL COMPONENTS

No.	Parts No.	Parts name	Remarks	Level	Cons	Qty
1	M8510592AA0	OPERATION BOX A ASM.	FOR USE IN JAPAN			1
2	M8510592BA0	OPERATION BOX B ASM.	FOR EXPORT			1
3	M86065920A0	OPERATION CIRCUIT BOARD ASM.		*		1
4	M300259200A	OP. PANEL SHEET(JAPANESE)	FOR USE IN JAPAN	*		1
5	M300259200B	OP. PANEL SHEET(ENGLISH,PICT)	FOR EXPORT	*		1
6	M1010590000	OPERATION BOX A		*		1
7	M1011590000	OPERATION BOX B		*		1
8	M1012592000	OPERATION PANEL PLATE		*		1
9	SL4030881SF	SCREW M3 L=8		*		4
10	ST40316110R	TAPPING SCREW D=3 L=16		*		4
11	EA9502B0500	CABLE CLIP		*		1
12	SV4031006SR	SCREW M3 L=10		*		1
13	SK3382001SE	SCREW D=3.8 L=20		*		4
14	SK3482001SE	WOOD SCREW D=4.8 L=20		*		2
15	M85995900A0	ACCESSORIES PART ASM.	FOR 100~200V			1
16	M8599590AA0	ACCESSORIES PART A ASM.	FOR 380V			1
17	HF001301000	TIMING LAG FUSE		*		1
18	HF0041080P0	FUSE 8A		*		1
19	E8523304000	FUSE 10A		*		1
20	M300451100A	VOLTAGE INDICATION CARD,A	FOR 100~200V	*		1
21	M3003580000	VOLTAGE INDICATION CARD,B	FOR 380V	*		1
22	M85205900A0	1-PEDAL ASM.				1
23	M1030590000	PEDAL SWITCH FRAME		*		1
24	M1031590000	PEDAL SWITCH LEVER		*		1
25	M90115900A0	PEDAL SWITCH CABLE ASM.		*		1
26	HD002230000	PHOTO SENSOR		*		2
27	HX001230000	CABLE CLIP		*		1
28	B2583210D00	SPRING		*		1
29	SD0800331TH	HINGE SCREW D=8 H=3.25		*		1
30	SM4040601SC	SCREW M4X0.7 L=6		*		1
31	SL4041291SC	SCREW M4 L=12		*		2
32	WP0430801SC	WASHER 4.3X9X0.8		*		1
33	M85215800A0	3-PEDAL ASM.	FOR LK-19△0SA,HA			1
34	HA004260000	FOOT SWITCH		*		3
35	M1016580000	SW. MOUNT PLATE,B		*		1
36	ST5041051SN	SCREW		*		6
37	EA9500B0100	CABLE BAND		*		4
38	HK034610100	10P CONNECTOR		*		1
39	HK034640000	PIN CONTACT		*		6
40	EA9502B0500	CABLE CLIP		*		1
41	SL4040881SF	SCREW M4 L=8		*		1
42	GPK26002000	PEDAL BASE RUBBER		*		1
43	GPK470010AB	3-PEDAL ASM.	FOR LK-19△0SA,HA			1
44	M90255800A0	PEDAL SW.TRANSFER CABLE ASM.	FOR LK-19△0SA,HA			1

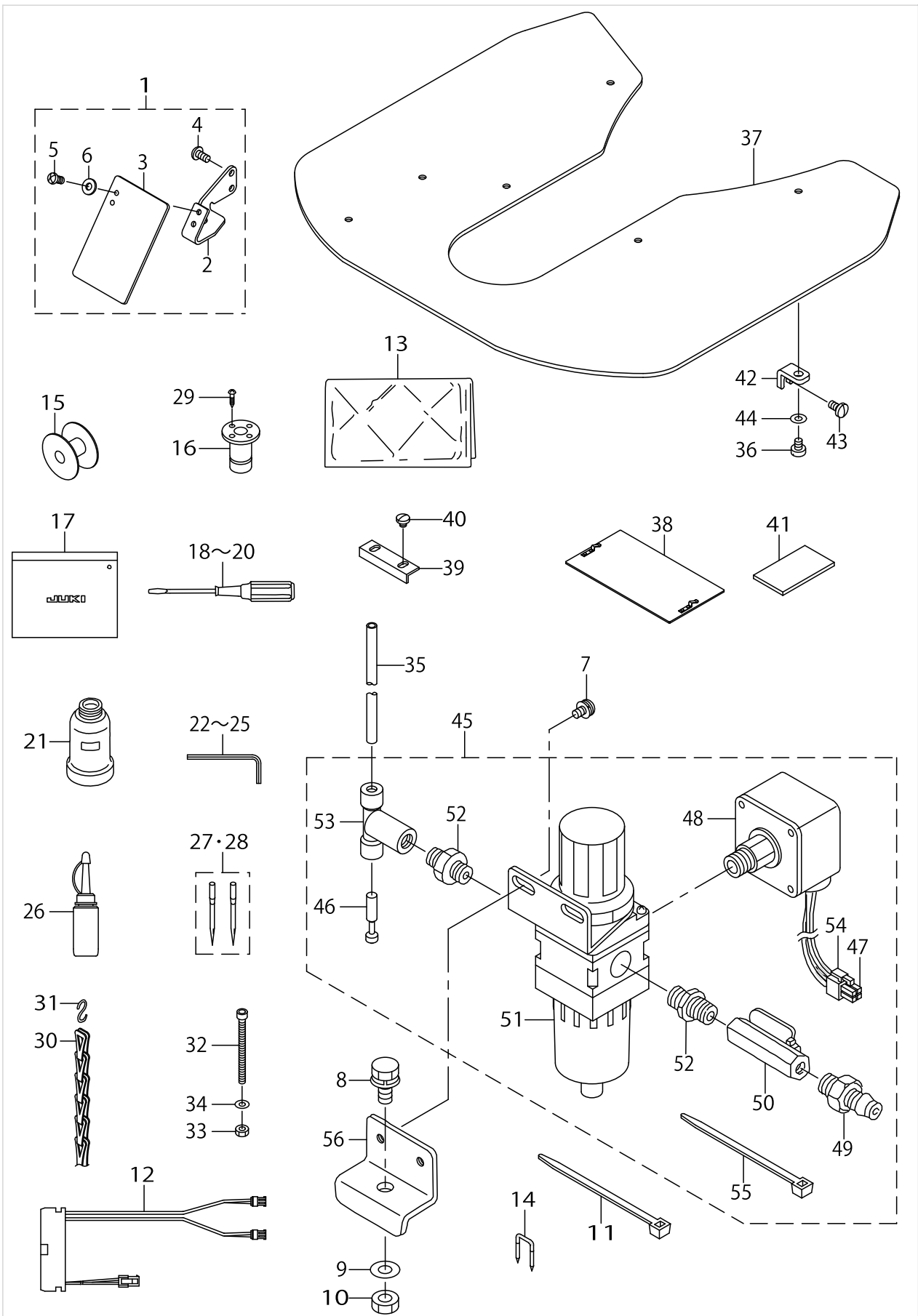
# WIRING DIAGRAM



WIRING DIAGRAM

No.	Parts No.	Parts name	Remarks	Level	Cons	Qty
1	M90015900A0	MAIN POWER CORD ASM.				1
2	M90145920A0	SOLENOID VALVE RELAY CABLE ASM	FOR LK-19△0SA,HA			1
3	M90105810A0	FAN CONNECTING CORD ASM.				1
4	M90085800A0	SERVO SIGNAL CORD ASM.				1
5	M90205800A0	TRANSFORMER POWER CORD ASM.	FOR 100~200V			1
6	M9020580AA0	TRANSFORMER POWER CORD ASM.,A	FOR 380V			1
7	M90225900A0	POWER CORD ASM.	FOR 100~200V			1
8	M90235900A0	POWER CORD A ASM.	FOR 380V			1
9	M90025800A0	SERVO POWER CORD ASM.,B				1
10	M90315900A0	SERVO POWER CORD ASM.,A				1
11	M85205900A0	1-PEDAL ASM.				1
12	M90175800A0	POWER CABLE ASM.	FOR 100~200V(3-PHASE), 380V(FOR EXPORT)			1
13	M90285800A0	POWER CABLE ASM.	FOR MC-592-△M			1
14	M90245800A0	POWER CABLE ASM.,100V	FOR 1-PHASE			1
15	M90215800A0	VOLTAGE TRANSFER CORD ASM.	FOR 100,110,120V			1
16	HA004250000	SWITCH	EXCEPT MC-592-△M			1
17	M85215800A0	3-PEDAL ASM.	FOR LK-19△0SA,HA			1
18	M90355800A0	POWER SOURCE CORD ASM.	FOR 100V(FOR USE IN JAPAN)			1
19	M90345800A0	GROUND CORD ASM.	FOR 100V(FOR USE IN JAPAN)			1
20	M89105920A0	THERMOSTAT ASM.				1
21	14221352	Y SENSOR CABLE ASM.				1
22	14115356	MAIN SHAFT SENSOR CABLE ASM.				1
23	HA00303000A	SWITCH	FOR MC-592-△M			1

ACCESSORIE PART COMPONENTS

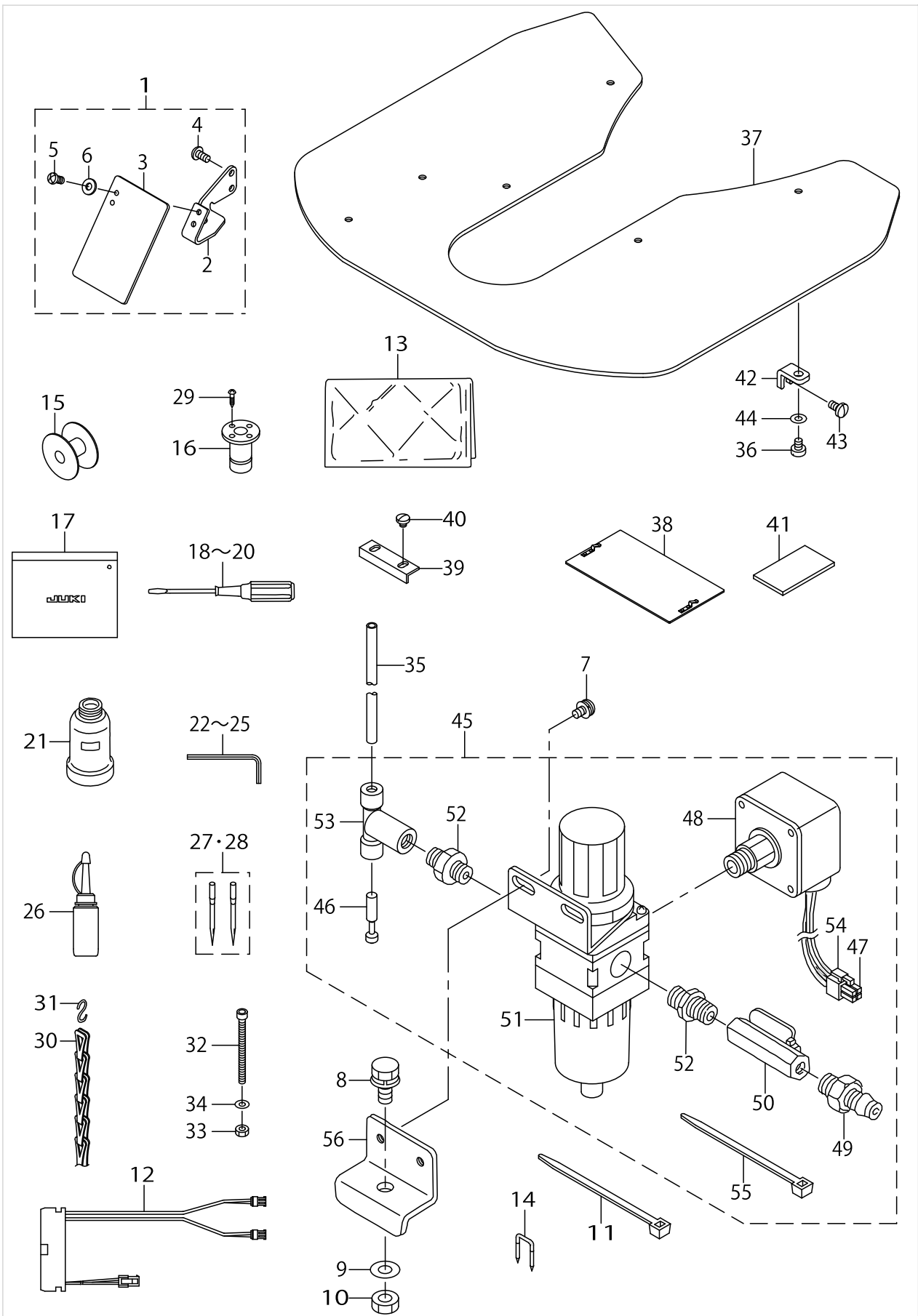


ACCESSORIE PART COMPONENTS

No.	Parts No.	Parts name	Remarks	Level	Cons	Qty
1	40052806	SAFETY PLATE ASM				1
2	40051987	SAFETY PLATE BASE		*		1
3	26037200	SAFETY PLATE		*		1
4	SS4110715SP	SCREW 11/64-40 L=7		*		2
5	SM4040655SP	SCREW M4 L=6		*		2
6	WP0450801SD	WASHER 4.5X10X0.8		*		2
7	SL4051091SC	SCREW M5X0.8 L=10	FOR LK-19△0SA,HA			2
8	SL9082093SE	SCREW	FOR LK-19△0SA,HA			1
9	WP0871602SE	WASHER 8.7X18X1.6	FOR LK-19△0SA,HA			1
10	NM6080721SE	NUT M8	FOR LK-19△0SA,HA			1
11	EA9500B0100	CABLE BAND	FOR LK-19△0SA,HA			5
12	14204853	SOLENOID VALVE CABLE ASM.	FOR LK-19△0SA,HA			1
13	26234005	VINYL COVER				1
14	MAO11532000	CORD STAPLE				10
15	B1806210D00	BOBBIN				1
16	B8202205000	OIL MANAGEMENT				1
17	22932800	ACCESSORIE BAG				1
18	22933006	SCREW DRIVER,LARGE				1
19	22933105	SCREW DRIVER,MIDDLE				1
20	22933204	SCREW DRIVER,SMALL				1
21	B9121012000	OIL CAN				1
22	B9140372000	HEXAGONAL WRENCH, SMALL				1
23	10038909	HEXAGONAL WRENCH				1
24	J106600000D	HEXAGONAL WRENCH KEY				1
25	GCT02906000	HEXAGONAL SPANNER				1
26	B91212200A0	OILER (CONTAINING NO.2 OIL)				1
27	MDP500B1402	NEEDLE DPX5#14-2	FOR LK-19△0SS,SA			1
28	MDP170B1802	NEEDLE DPZ17#18-2	FOR LK-19△0HS,HA			1
29	SK3311601SE	WOOD SCREW D=3.1 L=16				4
30	26037903	CHAIN	FOR LK-19△0SS,HS			2
31	13160304	S SHAPED HOOK	FOR LK-19△0SS,HS			4
32	SM6067552TP	HEXAGONAL-HOLE BOLT M6 L=75				1
33	NM6060001SC	NUT M6				1
34	WP0651646SC	WASHER				1
35	BT0600401EB	TUBE	FOR LK-19△0SA,HA			1
36	SS6110610TP	SCREW 11/64-40 L=6				4
37	14223010	NEEDLE PLATE SUPPORT COVER				1
38	B2557210DA0	PLASTIC BLANK PLATE ASM.	FOR LK-19△0SS,HS			1
39	B2592210000	PLASTIC PLATE STOPPER	FOR LK-19△0SS,HS			1
40	SS7110340SP	SCREW 11/64-40 L=3.2	FOR LK-19△0SS,HS			2
41	B2564215000	SPONGE				1
42	B1113223C00	COVER SUPPORTER				4
43	SS7110840SP	SCREW 11/64-40 L=7.8				4
44	WP0520656SA	WASHER 5.2X9.5X0.6				4
45	B47152150A0	FILTER REGULATOR ASM.	FOR LK-19△0SA,HA			1
46	PX950009000	PLUG		*		1
47	HK034640000	PIN CONTACT		*		3



ACCESSORIE PART COMPONENTS



ACCESSORIE PART COMPONENTS

No.	Parts No.	Parts name	Remarks	Level	Cons	Qty
48	G8124270000	AIR PRESSUE SWITCH		*		1
49	PJ309005203	QUICK JOINT PLUG		*		1
50	G5430116000	AIR COCK		*		1
51	PF0552040B0	FILTER REGULATOR		*		1
52	PJ030520001	RING JOINT (NIPPLE)		*		2
53	PJ305065202	TEE		*		1
54	HK034610040	HOUSING		*		1
55	EA9500B0100	CABLE BAND		*		5
56	40023662	FILTER INSTALLING PLATE	FOR LK-19△0SA,HA			1

TABLE COMPONENTS

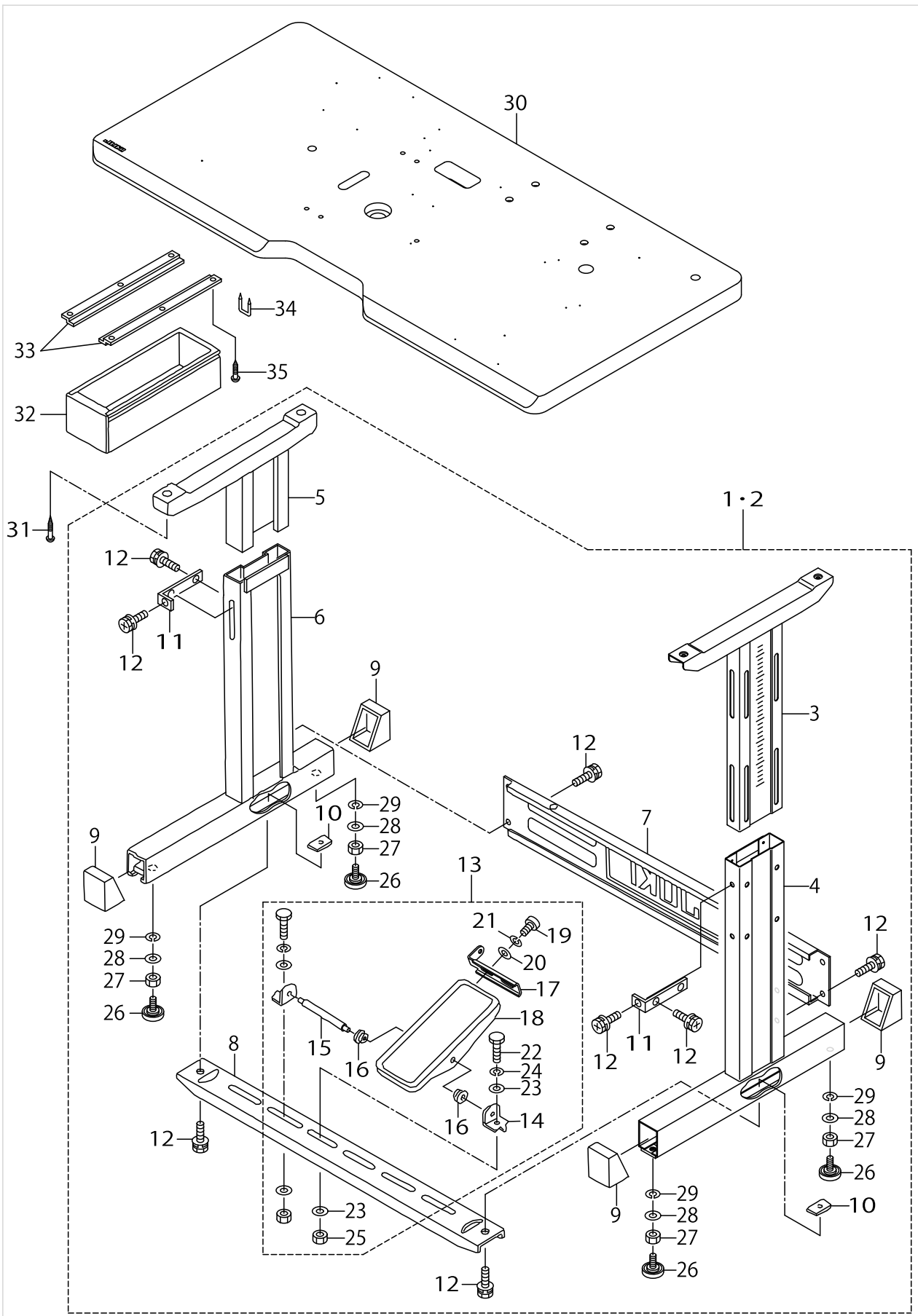
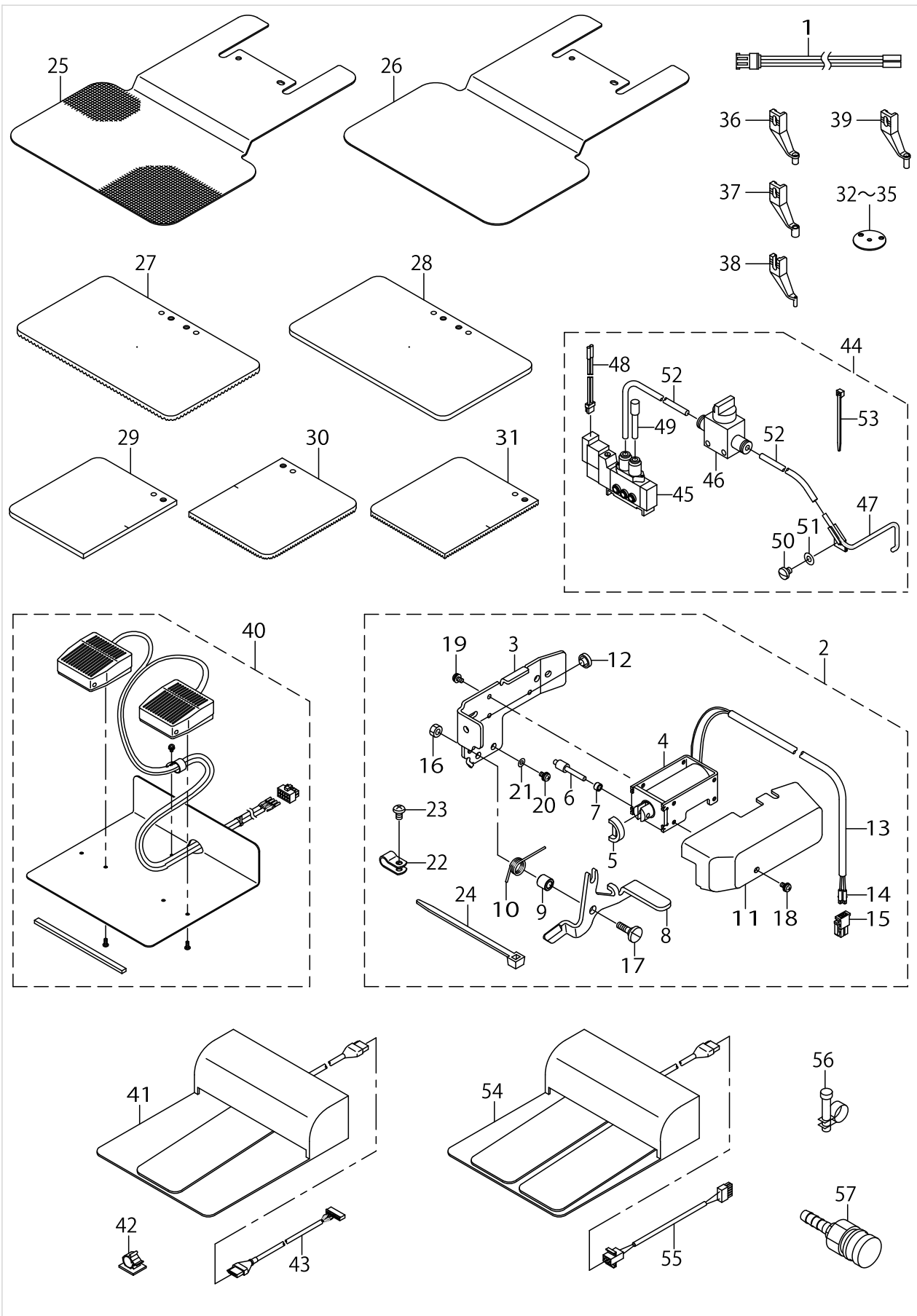


TABLE COMPONENTS

No.	Parts No.	Parts name	Remarks	Level	Cons	Qty
1	14222053	T-STAND COMPL.(SOLENOID TYPE)	FOR LK-19Δ0SS,HS			1
2	14222152	T-STAND COMPL.(AIR TYPE)	FOR LK-19Δ0SA,HA			1
3	14118152	UPPER STAND ASM.,RIGHT		*		1
4	14118251	STAND ASM.,RIGHT		*		1
5	B8101210AAB	UPPER STAND ASM.		*		1
6	B8105210AAA	STAND ASM.		*		1
7	11158300	STAND SIDE SUPPORT		*		1
8	11158409	STAND SIDE SUPPORT		*		1
9	11158607	RUBBER CAP		*		4
10	17007402	NUT		*		2
11	11158516	UPPER STAND PLATE		*		2
12	SL9082091SE	WASHER HEXAGONAL BOLT		*		12
13	13817754	Z-STAND PEDAL ASM.	FOR LK-19Δ0SS,HS	*		2
14	11159001	PEDAL SHAFT BRACKET		*		2
15	B8153771000	PEDAL CONNECTING ROD		*		1
16	D8113555B00	PEDAL BUSHING		*		2
17	GPF06080000	PEDAL ADJUSTING PLATE		*		1
18	GPF060600A0	PEDAL ASM.		*		1
19	SM9061203SE	SCREW M6 L=12		*		2
20	WP0671016SE	WASHER 6.7X13X1		*		2
21	WS0621210KR	SPRING WASHER 6.2X11.4X1.2		*		2
22	SM9082023SE	SCREW M8 L=20		*		2
23	WP0871602SE	WASHER 8.7X18X1.6		*		4
24	WS0861410KR	SPRING WASHER 8.6X15X1.4		*		2
25	NM6080721SE	NUT M8		*		2
26	B81085550A0	ADJUSTING SCREW ASM. WITH CAP		*		4
27	NM6120001SE	NUT M12		*		4
28	WP1302501SE	WASHER M12		*		4
29	WS1253010KN	SPRING WASHER 12.5X21.5X3		*		4
30	14117519	UPRIGHT TABLE				1
31	SK3513201SE	WOOD SCREW D=5.1 L=32				4
32	11155108	DRAWER				1
33	11155207	DRAWER SUPPORT				2
34	D8204555D00	DRAWER STOPPER				1
35	SK3311601SE	WOOD SCREW D=3.1 L=16				6

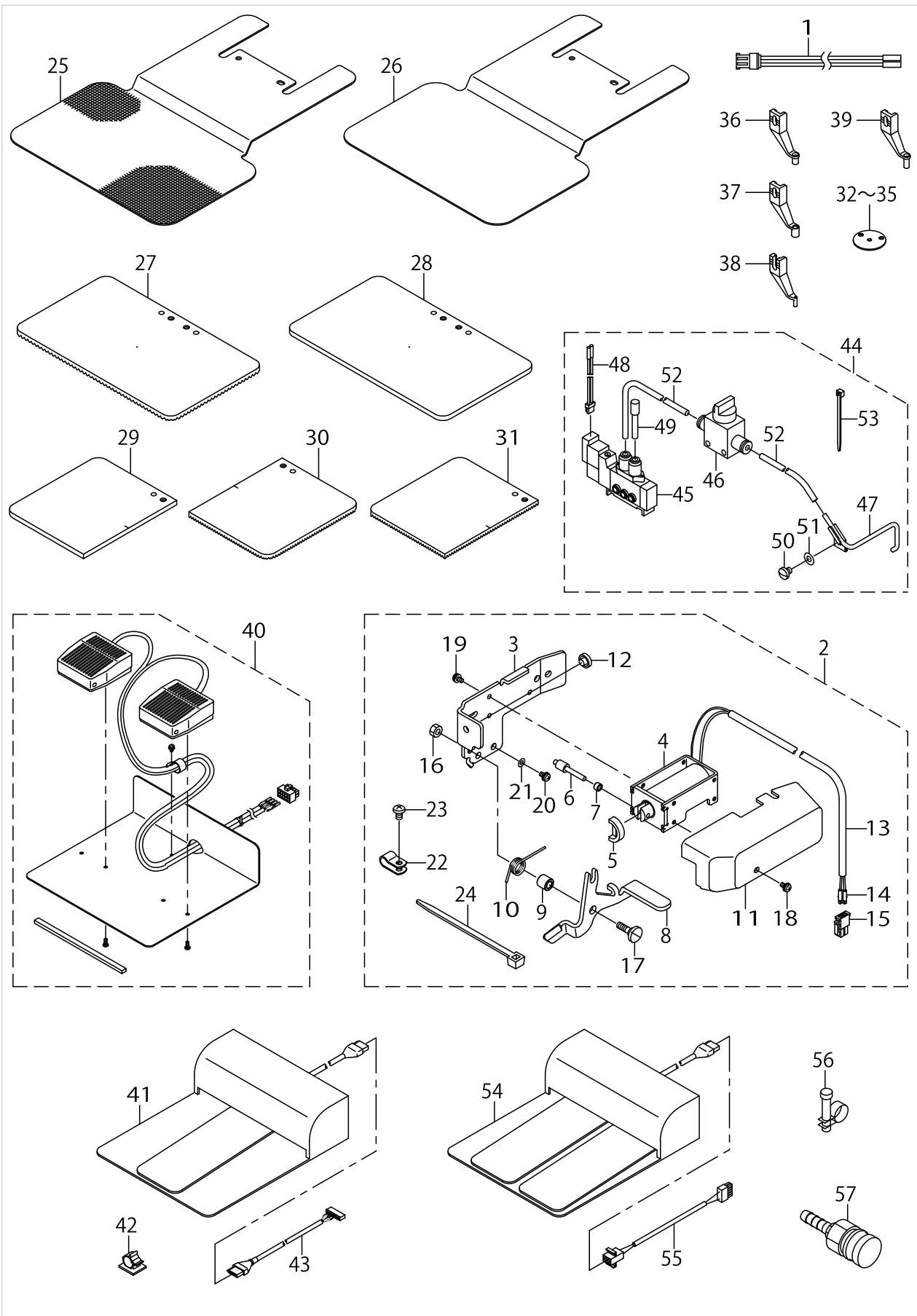
OPTIONAL PART COMPONENTS



OPTIONAL PART COMPONENTS

No.	Parts No.	Parts name	Remarks	Level	Cons	Qty
1	14204754	SOLENOID VALVE CONNECTOR ASM.				1
2	14224760	DISK-RAISING DEVICE ASM.				1
3	14224703	DISK-RAISING BASE		*		1
4	11110301	WIPER SOLENOID		*		1
5	22956007	WIPER RUBBER B		*		1
6	22957104	WIPER SOLENOID SHAFT		*		1
7	22957203	WIPER LINK COLLAR		*		1
8	14224802	DISK RAISING LEVER		*		1
9	22956205	WIPER HINGE SCREW COLLAR		*		1
10	11110806	WIPER SPRING		*		1
11	22955504	WIPER COVER		*		1
12	12258000	BUSH		*		1
13	HW500070000	2-CORE CABTYRE CORD		*		1.75
14	HK034640000	PIN CONTACT		*		2
15	HK034610020	2-POLE NYLON PLUG		*		1
16	NS6110310SP	NUT 11/64-40		*		1
17	SD0650321TP	HINGE SCREW D=6.5 H=3.2		*		1
18	SL4030681SC	SCREW M3 L=6		*		1
19	SL4030681SC	SCREW M3 L=6		*		3
20	SS4110915SP	SCREW 11/64-40 L=9		*		2
21	WP0480856SP	WASHER 4.8X8.4X0.8		*		2
22	HX00150000B	CABLE CLIP		*		2
23	SS4110715SP	SCREW 11/64-40 L=7		*		2
24	EA9500B0200	CABLE BAND 150		*		3
25	14224000	LOWER PLATE BLANK				1
26	14224109	LOWER PLATE BLANK				1
27	B2553210D0A	FEEDING FRAME BLANK				1
28	B2553210D0B	FEEDING FRAME BLANK				1
29	B2554210D0A	FEEDING FRAME BLANK				1
30	B2554210D0B	FEEDING FRAME BLANK,RIGHT				1
31	B2554210D0C	FEEDING FRAME BLANK,LEFT				1
32	D2426282C00	NEEDLE HOLE GUIDE				1
33	14224307	NEEDLE HOLE GUIDE D=2				1
34	B242628000D	NEEDLE HOLE GUIDE D				1
35	D2426MMCK0C	NEEDLE PLATE NEEDLE HOLE GUIDE				1
36	B1601210D0BA	INTERMEDIATE PRESSER B				1
37	B1601210D0CA	INTERMEDIATE PRESSER C				1
38	B1601210D0E	INNER PRESSER E				1
39	B1601210D0FA	INTERMEDIATE PRESSER F				1
40	M85205800A0	2-PEDAL ASM.				1
41	GPK570010B0	PEDAL SWITCH ASM.				1
42	E9607603000	STICKER (SMALL)				2
43	M90135900A0	PK57 TRANSFER CABLE ASM.				1
44	14225056	NEEDLE COOLER ASM.				1
45	PV150209000	5 PORT SOLENOID VALVE		*		1
46	PV010011000	VALVE		*		1
47	B47202150A0	NEEDLE COOLER UNION		*		1

OPTIONAL PART COMPONENTS



OPTIONAL PART COMPONENTS

No.	Parts No.	Parts name	Remarks	Level	Cons	Qty
48	14204754	SOLENOID VALVE CONNECTOR ASM.		*		1
49	PX500014000	PLUG		*		1
50	SS7110510SP	SCREW 11/64-40 L=5		*		1
51	WP0450000SD	WASHER 4.5X8X0.5		*		1
52	BT0400251EB	URETHANE HOSE, BLACK		*		2
53	HX002330000	CLIP		*		3
54	M85905130AA	PEDAL SWITCH ASM.				1
55	M90315800A0	2-PEDAL CONNECTING CORD ASM.				1
56	PB000010000	HOSE BAND	FOR LK-19△0SA,HA			1
57	PJ309520001	SOCKET	FOR LK-19△0SA,HA			1



LIST FOR INFORMATION OF CHANGE

As to the place changed, refer to the corresponding Rev.No.  
 When previous parts(Obsoleted part)and new parts(Added parts)are  
 not interchangeable with each other:  
 In this case,even obsoleted parts(D.)can be ordered with the  
 obsoleted part number,so select the parts with changed dates and  
 place your orders.

変更箇所は、該当Rev.No.版をご参照ください。  
 部品の互換性がない変更の場合は、削除された品番でも、ご注文できます。

29320108  
 No.1243-10・Rev.No.

\*A:Added parts追加部品/D:Obsoleted parts削除部品/E:Erratum訂正

* Rev. No.	Page 頁	Ref. No.	Parts No. 品番	* Rev. No.	Page 頁	Ref. No.	Parts No. 品番
D 09	2	24	262-11607	A 10	2	24	400-30828
D 09	4	47	B1406-210-000	A 10	4	47	400-26884
D 09	8	33	142-08409	A 10	8	33	400-23631
D 09	8	48	B1601-210-D00-A	A 10	8	48	400-23632
D 09	10	34	400-86483	A 10	10	34	401-42674
D 09	10	37	138-16855	A 10	10	37	401-42675
				A 10	10	38	401-42677
				A 10	10	39	SM-3030552-TN
D 09	11	6	111-10301	A 10	11	6	400-97998
D 09	11	18	HK-0346400-0B				
D 09	11	19	HA-0060000-00	A 10	11	19	HA-0060000-0A
D 09	11	20	HW-2003900-00				
D 09	11	21	HW-5000700-00				
D 09	14	5	141-08955	A 10	14	5	401-04895
D 09	14	7	141-08906	A 10	14	7	401-04889
D 09	14	8	110-43304				
D 09	14	9	NS-6660410-SH				
D 09	14	10	NM-6040000-SN	A 10	14	8	NM-6040001-SE
D 09	14	11	NS-6660430-SP				
D 09	14	12	WP-0450000-SD	A 10	14	9	WS-0410002-KR
D 09	14	13	HK-0346100-2D	A 10	14	10	HK-0346100-20
D 09	14	15	B1652-704-000	A 10	14	11	132-16601
D 09	16	4	SM-8060612-TP	A 10	16	4	SM-8060812-TP
D 09	16	9	SM-8060612-TP	A 10	16	9	SM-8060812-TP
D 09	24	1	229-30358	A 10	24	1	400-96354
D 09	26	2	400-55170	A 10	26	2	401-50001
D 09	32	36	PB-0000100-00	A 10	36	56	PB-0000100-00
D 09	32	37	PJ-3095200-01	A 10	36	57	PJ-3095200-01
D 09	32	58	B8211-206-000	A 10	32	56	400-23662

## HOW TO MAKE USE OF THIS PARTS LIST

### 1.Explanation of codes

1)"\*"mark.....means this part is changed from the previous parts book.

As to the details of the change, refer to the "List for information of change".

2)"#01".....refer to "Note" explanation at bottom of page.

### 2.Codes on the "Qty" column

- Each numeral indicates the number of parts required.
- "0.1" and "2.5" indicate the length (in meters) of the respective parts.

3.Parentheses mean that the corresponding part is a subpart that constructs an assembly part.

4.Dotted lines on the Figures indicate assembly parts.

### 1."注記"欄の記号説明

1) "\*"印.....前回のパーツブックに比較して今回変更された部品を意味します。

変更内容は、"変更情報リスト"を参照してください。

2) "#01".....ページ下の"注記"の説明を参照してください。

2.数量欄の数字は、個数を表し、0.1、2.5等の数値は、長さ（単位メートル）を表します。

3.数量欄の（ ）は、組部品を構成している子部品であることを意味します。

4.イラストページの-----枠は、組構成であることを意味します。

# NUMERICAL INDEX OF PARTS

PART NO	PAGE	REF NO.	PART NO	PAGE	REF NO.	PART NO	PAGE	REF NO.
10038909	54	22~25	14106405	20	9	14204309	14	63
10502300	2	47	14106702	20	2	14204309	16	23
10523504	20	31	14107502	26	1	14204754	60	48
11006004	16	40	14107601	30	66	14204754	62	48
11072402	6	97	14107700	26	2	14204853	54	12
11110301	60	4	14108500	28	2	14204911	12	42
11110806	60	10	14108609	28	3	14205009	14	50
11111051	24	13	14108807	28	6	14205108	14	52
11155108	58	32	14109250	30	65	14205207	14	54
11155207	58	33	14109300	28	16	14206502	10	59
11158300	58	7	14109607	30	63·64	14206650	16	11
11158409	58	8	14112502	32	10	14206908	16	21
11158516	58	11	14113450	4	94	14207054	16	22
11158607	58	9	14113468	4	92	14207252	16	9
11159001	58	14	14114102	40	1	14207500	16	10
11315108	24	30	14114300	40	3	14207609	16	7
12210803	14	62	14114409	40	4	14207807	16	5
12258000	60	12	14114508	8	33	14208201	16	8
13160304	54	31	14114607	40	13	14208300	16	36
13216601	28	11	14114904	40	2	14208508	16	42
13502307	2	13	14115356	10	63	14208607	10	61
13508700	20	35	14115356	42	3	14209001	16	1
13529607	20	23	14115356	52	22	14209308	16	13
13540406	36	40	14115653	2	41	14211502	24	3
13817754	58	13	14117519	58	30	14211551	24	1
14100309	2	39	14118152	58	3	14213003	28	21
14100408	2	2	14118251	58	4	14214019	32	13
14100457	2	1	14200802	4	56	14214308	32	45
14100705	2	6	14200901	2	30	14214506	32	17
14100754	2	5	14201305	4	85	14214605	34	59
14101208	2	22	14201602	2	8	14214712	34	52
14102107	8	2	14203004	12	6	14214803	34	53
14102404	8	1	14203103	12	4	14215057	32	38
14102503	8	5	14203202	12	5	14215305	32	41
14102701	8	7	14203301	12	2	14215404	32	40
14102800	8	8	14203400	12	22	14215602	34	56
14103006	20	6	14203509	12	17	14215701	32	14
14103352	20	4	14203608	12	24	14215909	34	57
14103758	20	5	14203707	14	58	14216006	34	54
14103907	20	11	14203806	12	25	14216204	34	58
14104004	20	20	14203905	14	60	14216303	32	3
14104152	12	1	14204002	12	26	14216352	32	1
14104707	12	3	14204101	12	30	14216410	32	7
14106256	22	59	14204200	12	21	14216469	32	6
14106306	20	33	14204309	12	63	14216501	36	1

# NUMERICAL INDEX OF PARTS

PART NO	PAGE	REF NO.	PART NO	PAGE	REF NO.	PART NO	PAGE	REF NO.
14216501	38	1	22924005	14	49	26234005	54	13
14216808	36	13	22924005	24	33	26260109	4	58
14217004	36	2	22928808	30	69	26260208	4	59
14217103	36	3	22932800	54	17	26260307	4	60
14217202	38	3	22933006	54	18~20	26260406	4	61
14217301	38	38	22933105	54	18~20	26260505	4	62
14217400	38	39	22933204	54	18~20	26260802	4	65
14217509	38	13	22951008	28	20	26260901	4	66
14217764	36	16	22955504	24	4	26261008	4	67
14217855	38	7	22955504	60	11	26261107	4	68
14217954	38	8	22955900	24	7	26261206	4	69
14218002	36	11	22956007	24	8	26261305	4	70
14218002	38	4	22956007	60	5	26261602	4	72
14219513	40	12	22956106	24	9	26261701	4	73
14219604	40	25	22956205	24	10	26500306	8	6
14219711	40	26	22956205	60	9	26500504	30	73
14220503	4	87	22956403	24	12	26500900	26	4
14220750	4	90	22956908	24	14	26501205	28	1
14221352	32	21	22957104	24	15	26501304	26	5
14221352	42	2	22957104	60	6	26501403	32	2
14221352	52	21	22957203	24	16	26501502	32	8
14221451	32	24	22957203	60	7	26501858	20	16
14222053	58	1·2	23630007	20	15	26501908	28	4
14222152	58	1·2	23630007	40	19	26502906	16	37
14223010	54	37	26037200	54	3	40009290	2	16
14224000	60	25	26037903	54	30	40009290	26	35
14224109	60	26	26203208	8	44	40010414	2	14
14224307	60	32~35	26211755	2	23	40011144	4	64
14224703	60	3	26211904	2	25	40014007	16	39
14224760	60	2	26212100	2	26	40022462	16	46
14224802	60	8	26218404	26	6	40023631	16	33
14225056	60	44	26218602	30	72	40023632	18	48
17007402	58	10	26218651	30	68	40023662	56	56
17845009	46	13	26220400	30	71	40025746	16	17
22901805	2	11	26221101	20	36	40026730	4	63
22904155	8	26	26221200	22	64	40026745	4	80
22907554	16	31	26222109	22	66	40026746	4	57
22917058	12	33	26222208	22	48	40026884	8	47
22917058	16	18	26223305	32	19	40026917	10	55
22917058	36	36	26226506	28	24	40028986	34	55
22917058	38	34	26227702	16	26	40030828	2	24
22917157	12	13	26229302	26	24	40031323	16	15
22917157	26	36	26230706	40	11	40031324	16	32
22920508	2	28	26231407	40	16	40034676	24	5
22921506	30	70	26231902	40	29	40045548	10	65

# NUMERICAL INDEX OF PARTS

PART NO	PAGE	REF NO.	PART NO	PAGE	REF NO.	PART NO	PAGE	REF NO.
40051987	54	2	B1223771000	8	12	B1828210D0A	20	25
40052806	54	1	B1223771000	12	44	B1828210DAA	20	24
40053326	8	9	B1223771000	18	53	B1836210D00	20	1
40060888	22	56	B1223771000	28	22	B1901210DA0	8	14
40085784	44	2	B1231210D00	8	10	B1901210DC0	8	13
40085785	44	3	B1401210000	8	43	B1903210000	8	16
40085786	44	4	B1403280000	8	45	B1903552000	8	19
40085787	44	5	B1404280000	8	20	B1904280000	8	21
40085788	44	6	B1405210000	8	46	B1905541000	8	17
40085789	44	7	B1407210D00	8	15	B2107210D0A	24	2
40085790	44	8	B1411552000	10	49	B2130210D00	24	11
40085791	44	9	B14115520A0	10	48	B23022050A0	26	9-10
40085792	44	10	B1411804000	8	18	B2302280000	26	11
40085793	44	11	B1414232000	10	51	B23022800A0	26	9-10
40085794	44	12	B1414232000	32	18	B2303280000	26	23
40085795	44	13	B1456057000	32	16	B2304210D00	26	3
40085796	44	16	B1513210D00	12	9	B2312210D00	30	67
40096325	44	14	B1513210D00	16	2	B2313280000	26	13
40096326	44	17	B1515210D00	12	10	B2401210D00	28	17
40096327	44	19	B1515210D00	16	3	B2408210D00	28	18
40096354	44	1	B1516210D00	12	27	B2411210000	28	25
40097998	24	6	B151902600G	32	48	B24142800A0	28	26
40104889	28	7	B151902600G	34	48	B24152800A0	28	27
40104895	28	5	B1530210D00	12	28	B2416280000	28	28
40142674	20	34	B1601210D0BA	60	36	B2417280000	28	29
40142675	20	37	B1601210D0CA	60	37	B2418280000	28	30
40142677	20	38	B1601210D0E	60	38	B24212800A0	28	31
40150001	46	2	B1601210D0FA	60	39	B242328000A	28	32~36
A1230500000A	8	36	B1626220000	38	30	B242328000B	28	32~36
A321600100A	4	71	B1626555000	36	33	B242328000C	28	32~36
B1111210D00	2	15	B1633210D00	16	16	B242328000D	28	32~36
B1113223C00	54	42	B1634210D00	18	51	B242328000E	28	32~36
B1115210D00	2	10	B1652210D00	18	50	B2424280000	28	37
B1116210D00	2	12	B1701210D00	14	56	B242628000D	60	32~35
B1116804000	28	23	B1702155000	12	29	B2509704000	32	15
B1123210D00	4	52	B1802210D00	20	32	B2545280000	26	7
B1125210D00	4	81	B1806210D00	22	63	B2553210D00	36	10
B1125215P00	2	27	B1806210D00	54	15	B2553210D0A	60	27
B1144210000	8	37	B1808210D00	20	26	B2553210D0B	60	28
B1202210000	8	3	B1808980000	22	65	B2554210D00	38	6
B1203215000	8	4	B1818210D0A	22	60-61	B2554210D0A	60	29
B1206210D00	8	11	B1818210D0B	22	60-61	B2554210D0B	60	30
B1208019000	12	32	B1820210D00	20	7	B2554210D0C	60	31
B1212210D00	8	38	B1821210D00	20	8	B2557210DA0	54	38
B1220771000	12	34	B1822215P00	20	17	B255728000C	36	31

# NUMERICAL INDEX OF PARTS

PART NO	PAGE	REF NO.	PART NO	PAGE	REF NO.	PART NO	PAGE	REF NO.
B255728000C	38	2	B471122000H	38	42	D2588L8WB00	28	39
B2561210D00	38	12	B47152150A0	54	45	D3112L4BB00	26	15·16
B2564215000	54	41	B47202150A0	60	47	D7133555B00	6	96
B2566210D00	38	10	B8101210AAB	58	5	D8113555B00	58	16
B2567210D00	38	11	B8105210AAA	58	6	D8204555D00	58	34
B2572210D00	36	12	B81085550A0	58	26	E2193172000	38	32
B2572210D00	38	5	B8153771000	58	15	E8523304000	50	17~19
B2573210D00	36	9	B8202205000	54	16	E9567319000	46	16
B2574210D00	36	6	B9121012000	54	21	E9607603000	48	51
B2575210D00	36	7	B91212200A0	54	26	E9607603000	60	42
B2576210D00	36	17	B9140372000	54	22~25	E9609603000	46	17
B2577210D00	36	4	BP300000100	40	31·32	EA9500B0100	32	22
B2578210D00	36	5	BP600000000	40	20	EA9500B0100	38	44
B2579210D00A	36	39	BT0400251EB	38	33	EA9500B0100	40	22
B2580210D00	36	18	BT0400251EB	62	52	EA9500B0100	50	37
B2581210D00	36	14	BT0500300EA	20	22	EA9500B0100	54	55
B2582210D00	36	15	BT0600401EB	54	35	EA9500B0100	56	55
B2583210D00	50	28	CM200100001	46	14	EA9500B0200	42	15
B2592210000	54	39	CM300100001	46	15	EA9500B0200	60	24
B2610210D00	36	19	CM300100101	46	43	EA9502B0500	50	40
B2610210D00	38	9	CM300200002	2	35	G1216870000	8	27
B2617771000	28	15	CM301200001	2	31	G5430116000	56	50
B2702210000	26	38	CM600100101	6	98	G6705152U0A	46	44
B2703210000	4	50	CQ200000000	20	19	G8124270000	56	48
B3107804000	26	14	CQ200000000	40	15	GAF01007000	8	39
B3112761000	26	15·16	CQ202000000	20	14	GCT02906000	54	22~25
B3114232000	26	17·18	CQ202000000	40	31·32	GNP01330000	12	31
B3114771000	2	29	CQ252200000	2	7	GPF060600A0	58	18
B3119771000	26	19	CQ252200000	40	21	GPF06080000	58	17
B3120125000	26	20	CS079073BSH	32	36	GPK26002000	50	42
B3126012000	6	95	CS080081BSH	28	12	GPK470010AB	50	43
B3126012000	26	21	CS080081CSH	22	52	GPK570010B0	60	41
B3129053000	26	17·18	CS095081ASH	32	12	HA001690010	4	89
B3132552000	26	22	CS1000811SP	22	50	HA00303000A	52	16·23
B3403761000	38	46	CS100081CSP	16	29	HA004250000	46	26
B3501210000	40	10	CS100081CSP	22	49	HA004250000	52	16·23
B3505280000	20	10	CS1201010SH	20	3	HA004260000	50	34
B3509210D00	40	7	CS147121ESH	10	58	HA00600000A	24	19
B3509280000	40	17	D2426282C00	60	32~35	HD00057000A	32	25
B3518280000	40	28	D2426284M00	30	63·64	HD002230000	8	30
B3523980000	40	9	D2426MMCK0C	60	32~35	HD002230000	50	26
B3541012000	40	8	D2502232D00	36	34	HF001301000	50	17~19
B471122000C	38	41	D2502232D00	38	31	HF0041080P0	50	17~19
B471122000D	38	40	D2587L8WB00	16	12	HK026650080	46	19
B471122000G	38	43	D2587L8WB00	28	38	HK034610020	16	34

# NUMERICAL INDEX OF PARTS

PART NO	PAGE	REF NO.	PART NO	PAGE	REF NO.	PART NO	PAGE	REF NO.
HK034610020	24	17	M8510592BA0	50	1·2	M90435900A0	42	11
HK034610020	28	10	M85205800A0	60	40	M90435920A0	42	12
HK034610020	60	15	M85205900A0	50	22	M90445920A0	42	7
HK034610040	56	54	M85205900A0	52	11	M90475900A0	42	8
HK034610100	50	38	M85205920A0	46	47	M964051000A	42	13
HK034640000	50	39	M85215800A0	50	33	MAO11532000	54	14
HK034640000	54	47	M85215800A0	52	17	MAT80114T00	36	35
HK034640000	60	14	M85905130AA	62	54	MDP170B1800	10	52·53
HK054250040	46	20	M85985920A0	42	6	MDP170B1802	54	27·28
HM000630010	48	48	M85995900A0	50	15·16	MDP500B1400	10	52·53
HW500070000	60	13	M8599590AA0	50	15·16	MDP500B1402	54	27·28
HX00056000B	46	22	M8601592AA0	46	1	NM3034000SF	46	27
HX001230000	50	27	M86045900C0	46	3·4	NM3040520SF	46	53
HX00123000B	46	41	M8604590AC0	46	3·4	NM3040520SF	48	53
HX00147000C	46	23	M86065920A0	50	3	NM6040001SE	28	8
HX00150000B	34	51	M8901592AA0	46	11·12	NM6050001SE	44	24
HX00150000B	42	1	M8901592BA0	46	11·12	NM6050001SP	14	53
HX00150000B	60	22	M89105900A0	46	5	NM6050001SP	28	40
HX00150000C	4	88	M89105920A0	52	20	NM6060001SC	2	20
HX00150000J	4	54	M90015900A0	52	1	NM6060001SC	46	6
HX00150000J	42	5	M90025800A0	52	9	NM6060001SC	54	33
HX00150000N	2	45	M90085800A0	52	4	NM6080721SE	54	10
HX002330000	62	53	M90105810A0	52	3	NM6080721SE	58	25
HX004070000	46	24	M90115900A0	50	25	NM6120001SE	58	27
HX004100000	46	25	M90135900A0	60	43	NS6090310SP	2	32
J106600000D	54	22~25	M90145920A0	52	2	NS6090310SP	24	23
M1001590000	46	18	M90175800A0	52	12~	NS6110310SP	4	93
M10025920A0	48	49	M90195800A0	4	14·18·19	NS6110310SP	12	8
M1003590000	46	7	M90205800A0	52	55	NS6110310SP	24	24
M1004581000	46	10	M9020580AA0	52	5·6	NS6110310SP	60	16
M1010590000	50	6	M9020580AA0	52	5·6	NS6110420SP	16	14
M1011590000	50	7	M90215800A0	52	15	NS6110420SP	28	42
M1012592000	50	8	M90225900A0	52	7·8	NS6120310SP	26	33
M1016580000	50	35	M90235900A0	52	7·8	NS6120310SP	28	43
M1030590000	50	23	M90245800A0	52	12~	NS6150310SP	28	13
M1031590000	50	24	M90255800A0	50	14·18·19	NS6660430SP	22	53
M300258000B	46	8·9	M90285800A0	52	44	PA1602006A0	38	35
M300259200A	50	4·5	M90315800A0	62	12~	PB000010000	62	56
M300259200B	50	4·5	M90315900A0	52	14·18·19	PC012401000	38	45
M3003580000	50	20·21	M90345800A0	52	55	PF0552040B0	56	51
M300359000A	46	8·9	M90355800A0	52	10	PH1000332SH	16	28
M300451100A	50	20·21	M90415900A0	42	12~	PJ030520001	56	52
M8002430000	2	4	M90425900A0	42	14·18·19	PJ046052503	38	36
M85105810A0	48	50			12~	PJ304060001	12	47
M8510592AA0	50	1·2			14·18·19	PJ305065202	56	53

# NUMERICAL INDEX OF PARTS

PART NO	PAGE	REF NO.	PART NO	PAGE	REF NO.	PART NO	PAGE	REF NO.
PJ309005203	56	49	SD0800431SP	16	25	SM6041202TP	38	16
PJ309520001	62	57	SD0801021TP	22	55	SM6051002TP	38	17
PS0400142KH	8	40	SD1100301TP	30	50	SM6060802TP	14	51
PV010011000	60	46	SK3311601SE	54	29	SM6060802TP	36	22
PV150209000	12	45	SK3311601SE	58	35	SM6060802TP	38	18
PV150209000	60	45	SK3382001SE	2	21	SM6067552TP	2	18
PV915005000	12	46	SK3382001SE	42	14	SM6067552TP	54	32
PX050003000	14	48	SK3382001SE	50	13	SM8040412TP	4	79
PX500014000	62	49	SK3482001SE	46	42	SM8040600SP	10	56
PX950009000	54	46	SK3482001SE	50	14	SM8050502TP	4	78
RC0150001KP	12	37	SK3513201SE	58	31	SM8050812TP	10	60
RC0560711KP	4	74	SL4030681SC	60	19	SM8050812TP	36	24
RC0740811KP	16	38	SL4030681SF	46	29	SM8053002TP	28	19
RE0250000K0	24	25	SL4030881SC	32	26	SM8060612TP	8	28
RE0300000K0	20	18	SL4030881SF	50	9	SM8060612TP	32	50
RE0300000K0	36	38	SL4030891SC	46	30	SM8060612TP	34	50
RE0300000K0	38	37	SL4031291SC	32	27	SM8060812TP	32	9
RE0400000K0	4	75	SL4040681SC	46	36	SM8061612TP	8	29
RE0500000K0	24	26	SL4040881SF	46	31	SM9061203SE	58	19
RE0500000K0	28	44	SL4040881SF	50	41	SM9061403CP	36	23
RE0500000K0	38	20	SL4041081SF	46	33	SM9061403CP	38	19
RE0700000K0	36	8	SL4041091SC	46	40	SM9082023SE	58	22
RE0900000K0	22	54	SL4041291SC	8	31	SS1060210TP	30	51
RO069180100	32	11	SL4041291SC	12	41	SS1110640TP	30	52
RO154240100	8	42	SL4041291SC	50	31	SS1110840SP	2	42
SB110000900	32	44	SL4051091SC	46	39	SS1110840SP	10	66
SB110001300	32	43	SL4051091SC	54	7	SS4090415SP	20	12
SB30800100A	20	44~47	SL6052092TN	8	34	SS4090515SP	26	30
SB30800100B	20	44~47	SL9082091SE	58	12	SS4090715SP	2	37
SB30800100C	20	44~47	SL9082093SE	54	8	SS4110515SP	2	43
SB30800100D	20	44~47	SM1040801SP	36	20	SS4110515SP	40	30
SD0500091TP	28	46	SM1040801SP	38	14	SS4110715SP	4	86
SD0500803TP	28	47	SM1044050SM	48	52	SS4110715SP	32	37
SD0530221SP	26	25	SM3030552TN	20	39	SS4110715SP	40	14
SD0640391TP	26	27	SM3065052TC	46	45	SS4110715SP	42	4
SD0640482SP	26	28	SM4030601SN	24	20	SS4110715SP	54	4
SD0650305TP	30	48	SM4031851SR	46	34	SS4110715SP	60	23
SD0650321TP	24	29	SM4040601SC	50	30	SS4110815SP	4	82
SD0650321TP	60	17	SM4040655SP	54	5	SS4110815SP	16	4
SD0720321TP	26	26	SM4051405SE	44	23	SS4110915SP	60	20
SD0790311TP	30	49	SM4060801SE	8	32	SS4111015SP	2	38
SD0800331TH	14	57	SM5040655SN	4	77	SS4111415SP	36	25
SD0800331TH	50	29	SM6040602TP	28	14	SS4111415SP	38	21
SD0800341SP	12	14	SM6040802TP	38	15	SS4150715SP	2	40
SD0800341SP	16	19	SM6041202TP	36	21	SS4150715SP	38	47



NUMERICAL INDEX OF PARTS

PART NO	PAGE	REF NO.	PART NO	PAGE	REF NO.	PART NO	PAGE	REF NO.
SS4150715SP	40	23	SS7110840SP	8	35	WP0450000SD	62	51
SS4151215SP	2	44	SS7110840SP	12	36	WP0450801SD	54	6
SS4151215SP	12	43	SS7110840SP	16	47	WP0450826SC	4	76
SS4151215SP	16	6	SS7110840SP	20	28	WP0450846SP	30	61
SS6060410TP	20	62	SS7110840SP	24	31	WP0480856SP	36	28
SS6060410TP	22	62	SS7110840SP	30	55	WP0480856SP	38	25
SS6090612TP	2	9	SS7110840SP	36	27	WP0480856SP	60	21
SS6090620TP	24	27	SS7110840SP	38	23	WP0482086SD	26	8
SS6090670TP	10	50	SS7110840SP	54	43	WP0501016SD	28	45
SS6092120SP	40	24	SS7111110TP	20	30	WP0520656SA	54	44
SS6110420TP	32	46	SS7111120TP	12	7	WP0531001SC	44	22
SS6110430TP	30	53	SS7111120TP	26	31	WP0553216SD	30	62
SS6110480SP	20	27	SS7151120SP	8	25	WP0560860SE	12	15
SS6110480SP	32	42	SS8090610SP	26	12	WP0600816SP	16	45
SS6110610TP	2	36	SS8110310SP	8	41	WP0612066SP	16	20
SS6110610TP	32	34	SS8110422TP	24	28	WP0621016SD	36	30
SS6110610TP	38	22	SS8110510SP	10	62	WP0621016SD	38	27
SS6110610TP	54	36	SS8110510SP	12	39	WP0621026SP	18	54
SS6110810TP	26	29	SS8110510SP	26	37	WP0641601SC	14	55
SS6111140SP	2	34	SS8110520TP	22	51	WP0651001SC	46	46
SS6111140SP	32	31	SS8150822TP	12	40	WP0651056SD	26	34
SS6111610SP	24	32	SS8150822TP	16	24	WP0651646SC	2	19
SS6120930SP	30	56	SS8150822TP	20	29	WP0651646SC	54	34
SS6120930SP	40	6	SS8150822TP	30	59	WP0671016SE	58	20
SS6121212TP	22	57	SS8660610TP	8	24	WP0871602SE	54	9
SS6151142TP	16	27	SS8660612TP	16	41	WP0871602SE	58	23
SS6151220SP	22	58	SS8660612TP	32	23	WP0951016SP	16	44
SS6151220SP	34	49	SS8661012TP	30	60	WP0952616SD	20	13
SS6151412TP	8	22	SS9111010SP	12	35	WP1302501SE	58	28
SS6151440SP	32	39	SS9661230CP	10	57	WP1612616SE	44	15
SS6151812TP	26	32	ST40316110R	50	10	WS0310002KR	24	22
SS6681712TP	8	23	ST5041051SN	50	36	WS0310702KS	46	35
SS7080510TP	10	54	SV4031006SR	50	12	WS0410002KP	36	32
SS7090410SP	14	61	TA0550604R0	4	51	WS0410002KP	38	29
SS7090410SP	30	57	TA0850604R0	4	84	WS0410002KR	28	9
SS7091110TP	16	49	TA1050504R0	4	91	WS0510002KN	44	21
SS7091110TP	18	49	TA1250406R0	2	49	WS0610002KN	10	64
SS7110340SP	14	59	TA1250406R0	4	49	WS0610002KN	46	21
SS7110340SP	54	40	TA1550902R0	12	38	WS0621210KR	58	21
SS7110410SP	32	33	TA2100904R0	4	53	WS0861410KR	58	24
SS7110510SP	62	50	WP0320501SC	24	21	WS1253010KN	58	29
SS7110730SP	2	17	WP0371016SD	16	52			
SS7110740TP	30	58	WP0371016SD	18	52			
SS7110810SP	16	30	WP0430801SC	50	32			
SS7110840SP	2	46	WP0450000SD	38	24			