

MODEL : LU-2212N-7/2210N-6,-7/2210W-6,-7/2260N-7/2260W-6,-7
List No : 1235-10

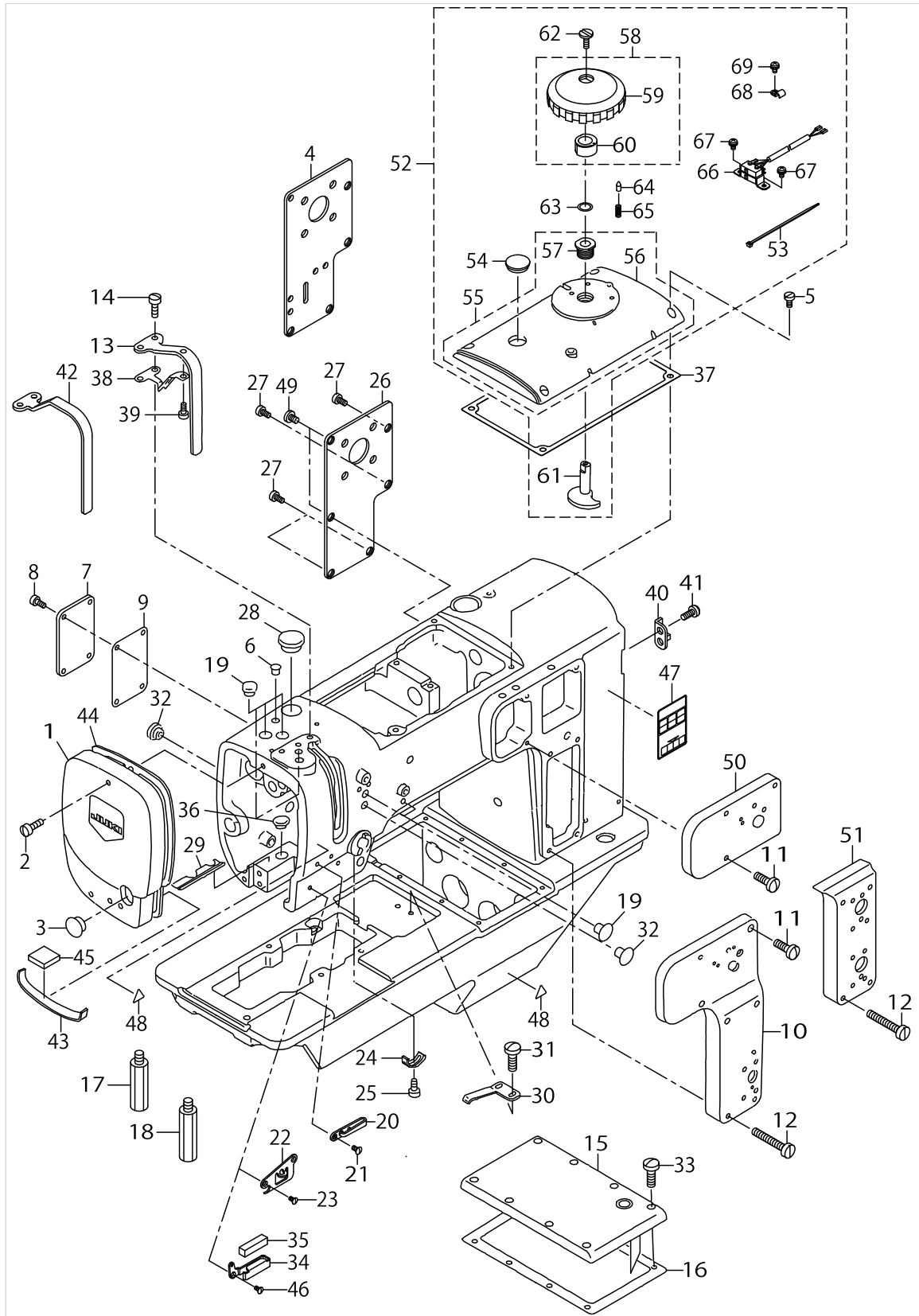
PARTS LIST

Published:09/10/2017

CONTENTS

FRAME & MISCELLANEOUS COVER COMPONENTS	1
MAIN SHAFT,HOOK DRIVING SHAFT DELIVERY & THREAD TAKE-UP LEVER COMPONENTS....	5
NEEDLE BAR ROCKING COMPONENTS	9
UPPER FEED MECHANISM COMPONENTS	11
FEED ADJUSTMENT & REVERSE FEED MECHANISM COMPONENTS	15
LOWER FEED MECHANISM COMPONENTS	19
RIGHT HOOK SHAFT BASE THREAD TRIMMER COMPONENTS	21
LEFT HOOK SHAFT BASE THREAD TRIMMER COMPONENTS(FOR LU-2260*~*)	25
RIGHT HOOK SHAFT BASE COMPONENTS	27
LEFT HOOK SHAFT BASE COMPONENTS(FOR LU-2260*~*)	31
HOOK COMPONENTS.....	35
THREAD TENSION COMPONENTS	37
LOWER THREAD WINDER MECHANISM COMPONENTS	41
PRESSURE ADJUSTING COMPONENTS.....	43
PRESSER LIFTER,AUTOMATIC PRESSER LIFTER & TENSION RELEASE MECHANISM.....	45
COMPONENTS	
2P DEVICE (FOR LU-2212N-7)	47
LUBRICATION COMPONENTS	49
CONTROL DEVICE COMPONENTS.....	53
CONTROL DEVICE COMPONENTS (FOR LU-2212N-7)	57
TABLE & BELT COVER COMPONENTS	59
THREAD STAND COMPONENTS.....	61
GAUGE COMPONENTS(LU-2210 STANDARD PARTS).....	63
GAUGE COMPONENTS(LU-2260 STANDARD PARTS).....	65
ACCESSORIES PARTS COMPONENTS	67
MUTUAL RISING QUANTITY TRANSFER COMPONENTS.....	71
BACK TUCK COMPONENTS	73
TABLE OF EXCHANGING GAUGE PARTS(FOR LU-2260*~*).....	75
TABLE OF EXCHANGING GAUGE PARTS(FOR LU-2210*~*,LU-2212N-7)(1).....	81
TABLE OF EXCHANGING GAUGE PARTS(FOR LU-2210*~*,LU-2212N-7)(2).....	83
LIST FOR INFORMATION OF CHANGE.....	85
HOW TO MAKE USE OF THIS PARTS LIST	86

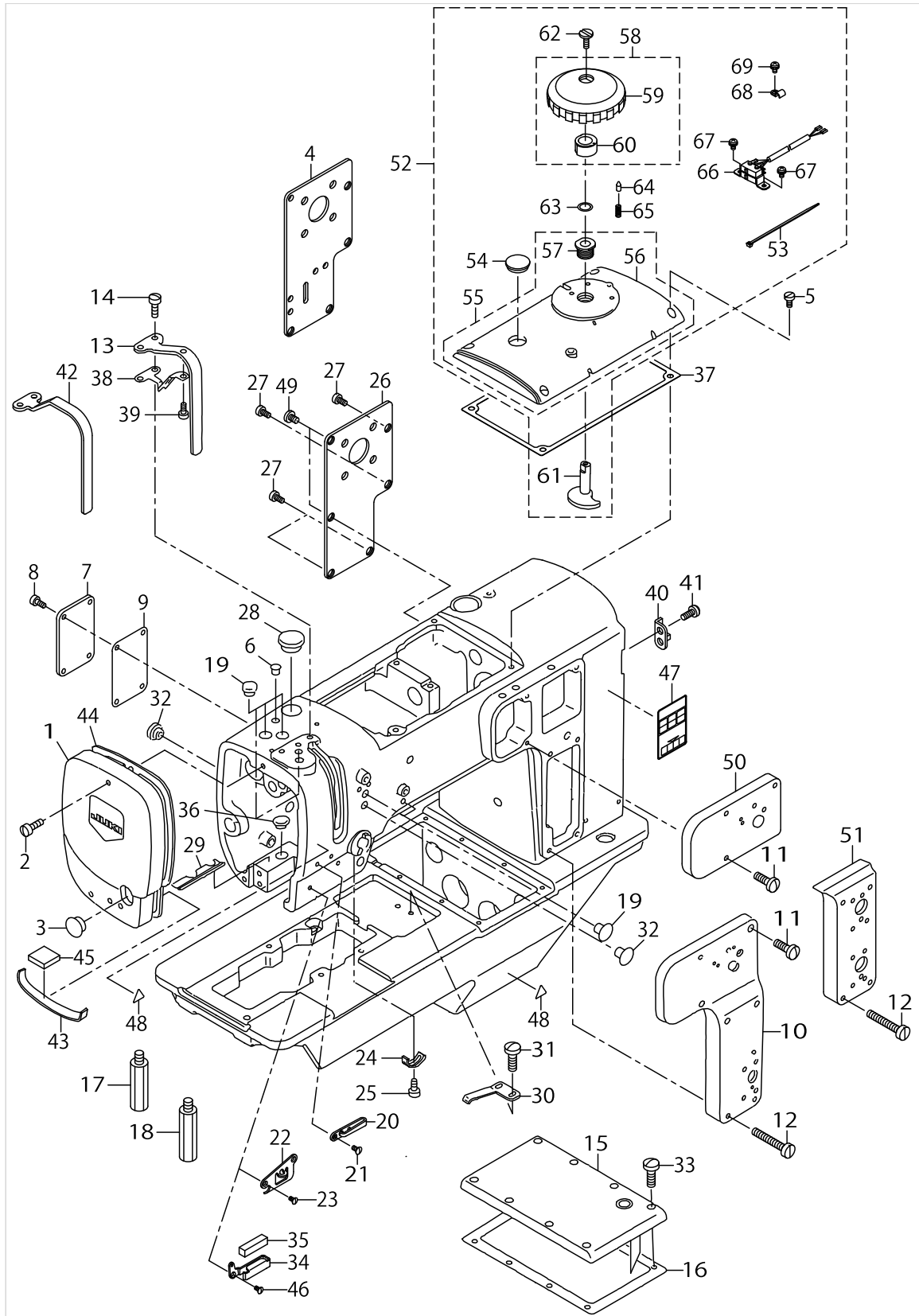
FRAME & MISCELLANEOUS COVER COMPONENTS



FRAME & MISCELLANEOUS COVER COMPONENTS

No.	Parts No.	Parts name	Remarks	Level	Cons	Qty
1	10743151	FACE PLATE ASM.				1
2	SS7121610SP	SCREW 3/16-28 L=15.5				2
3	TA1250406R0	RUBBER PLUG D=12.5 L=4				1
4	40025562	APERTURE PLATE (A)	FOR LU-2212N-7			1
5	SS6121010SP	SCREW 3/16-28 L=10				4
6	TA0750704R0	RUBBER PLUG				1
7	10743003	SIDE COVER				1
8	SS6121010SP	SCREW 3/16-28 L=10				4
9	10700706	SIDE COVER PACKING				1
10	10742757	FACE APERTURE PLATE				1
11	SS7121610SP	SCREW 3/16-28 L=15.5				3
12	SS6123010SP	SCREW 3/16-28 L=30.0				4
13	10743201	THREAD TAKE-UP COVER				1
14	SS6121010SP	SCREW 3/16-28 L=10				2
15	40067331	BED TOP COVER ASM.				1
16	10701209	TOP COVER PACKING				1
17	10701308	BED STRUT				1
18	10777308	BED STEW C				1
19	TA1050504R0	RUBBER PLUG				4
20	40084142	THREAD_GUIDE_LOWER				1
21	SS2090810SP	SCREW 9/64-40 L=7.5				1
22	10755700	ARM THREAD GUIDE D				1
23	SS2090710TP	SCREW 9/64-40 L=7.2				2
24	B3138512000	TAKE-UP SPRING ADJUSTING PLATE				1
25	SS7090520SP	SCREW 9/64-40 L=4.5				1
26	40027139	APERTURE PLATE				1
27	SS6121010SP	SCREW 3/16-28 L=10				4
28	TA2050406R0	RUBBER PLUG				1
29	10731701	RUBBER				1
30	B1111563000	BED SLIDE SPRING				1
31	SS7110510SP	SCREW 11/64-40 L=5				2
32	B1150490000	RUBBER PLUG				2
33	SS7110910SP	SCREW 11/64-40 L=8.5				8
34	10774008	FELT THREAD GUIDE	FOR LU-2260*-*			1
35	22603708	FELT	FOR LU-2260*-*			1
36	TA1250504R0	RUBBER PLUG	FOR LU-2260*-*			1
37	10700508	TOP COVER PACKING				1
38	10709004	PLATE				1
39	SS6110480SP	SCREW 11/64-40 L=4.3				1
40	10745800	FLYWHEEL POINTER				1
41	SS7110510SP	SCREW 11/64-40 L=5				2
42	10754901	THREAD TAKE-UP COVER	FOR JE			1
43	10733103	FACE PLATE FELT				1
44	10704609	FACE PLATE PACKING				1
45	B3510019000	OIL FELT				1
46	SS2090710TP	SCREW 9/64-40 L=7.2	FOR LU-2260*-*			1
47	CM301200001	SAFETY LABEL_S				1

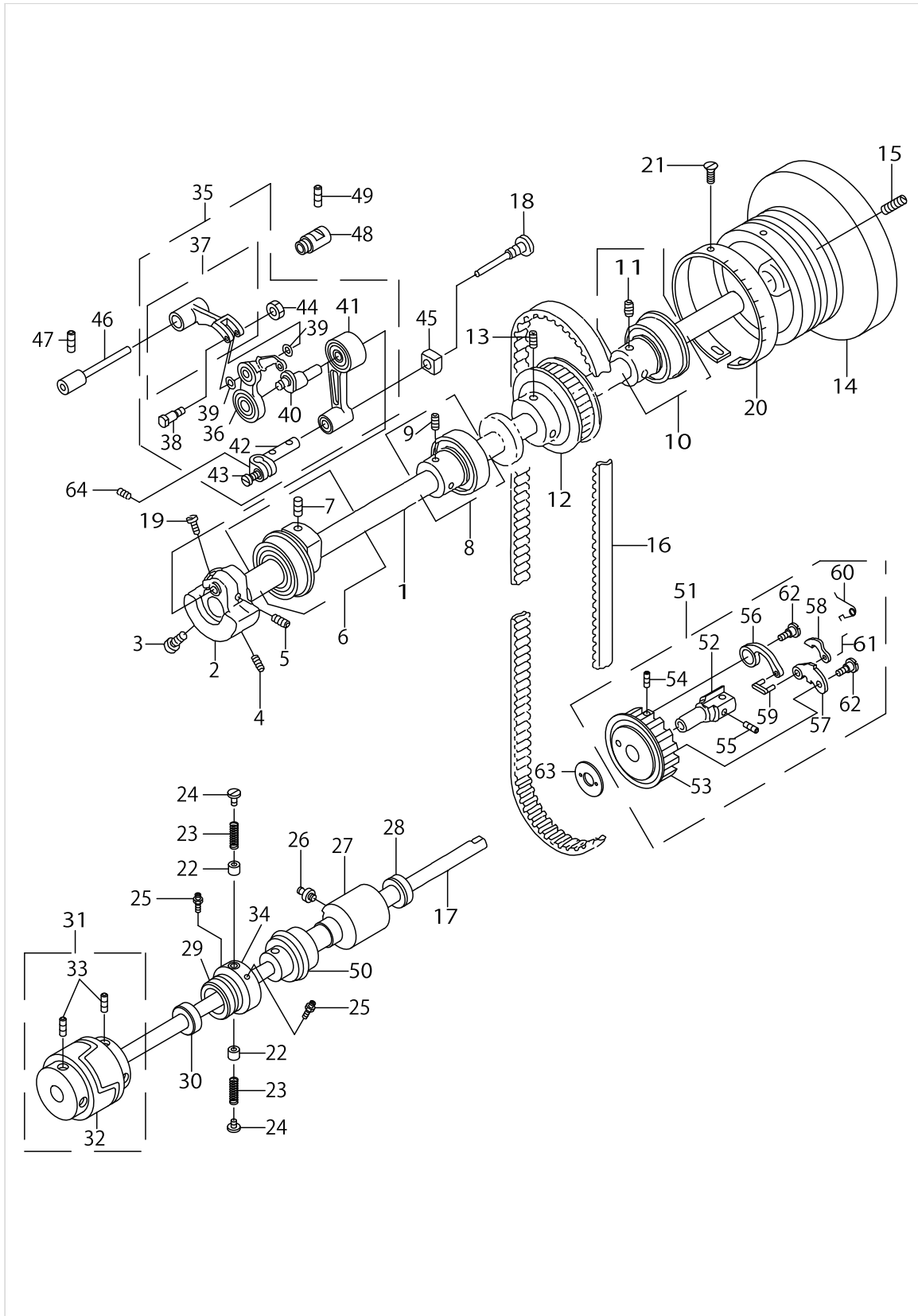
FRAME & MISCELLANEOUS COVER COMPONENTS



FRAME & MISCELLANEOUS COVER COMPONENTS

No.	Parts No.	Parts name	Remarks	Level	Cons	Qty
48	CM300200001	ATTENTION SEAL				1
49	SS7150940SP	SCREW 15/64-28 L=9				2
50	40027140	FACE APERTURE PLATE (A) ASM.	FOR LU-2212N-7			1
51	40027141	FACE APERTURE PLATE (B) ASM.	FOR LU-2212N-7			1
52	40100943	TOP COVER ASM.				1
53	EA9500B0100	CABLE BAND		*		1
54	TA2050406R0	RUBBER PLUG		*		1
55	10774651	TOP COVER ASM.		*		1
56	10774602	TOP COVER		*		1
57	40052251	VERTICAL DIAL SHAFT BUSHING		*		1
58	10774354	UPPER AND LOWER DIAL ASM.		*		1
59	10774305	VERTICAL DIAL		*		1
60	10774404	VERTICAL CAM		*		1
61	40108542	VERTICAL ADJUSTING CAM		*		1
62	SS6110630TP	SCREW 11/64-40 L=6		*		1
63	WZ1052010KP	WAVED WASHER		*		1
64	10715704	VERTICAL DIAL PIN		*		1
65	B152652700G	SPRING		*		1
66	40024852	VERTICAL DETECTOR SWITCH ASM.		*		1
67	SL4040881SC	SCREW M4 L=8		*		2
68	B3538112000	OIL RETURN TUBE HOLDER		*		1
69	SL4040881SC	SCREW M4 L=8		*		1

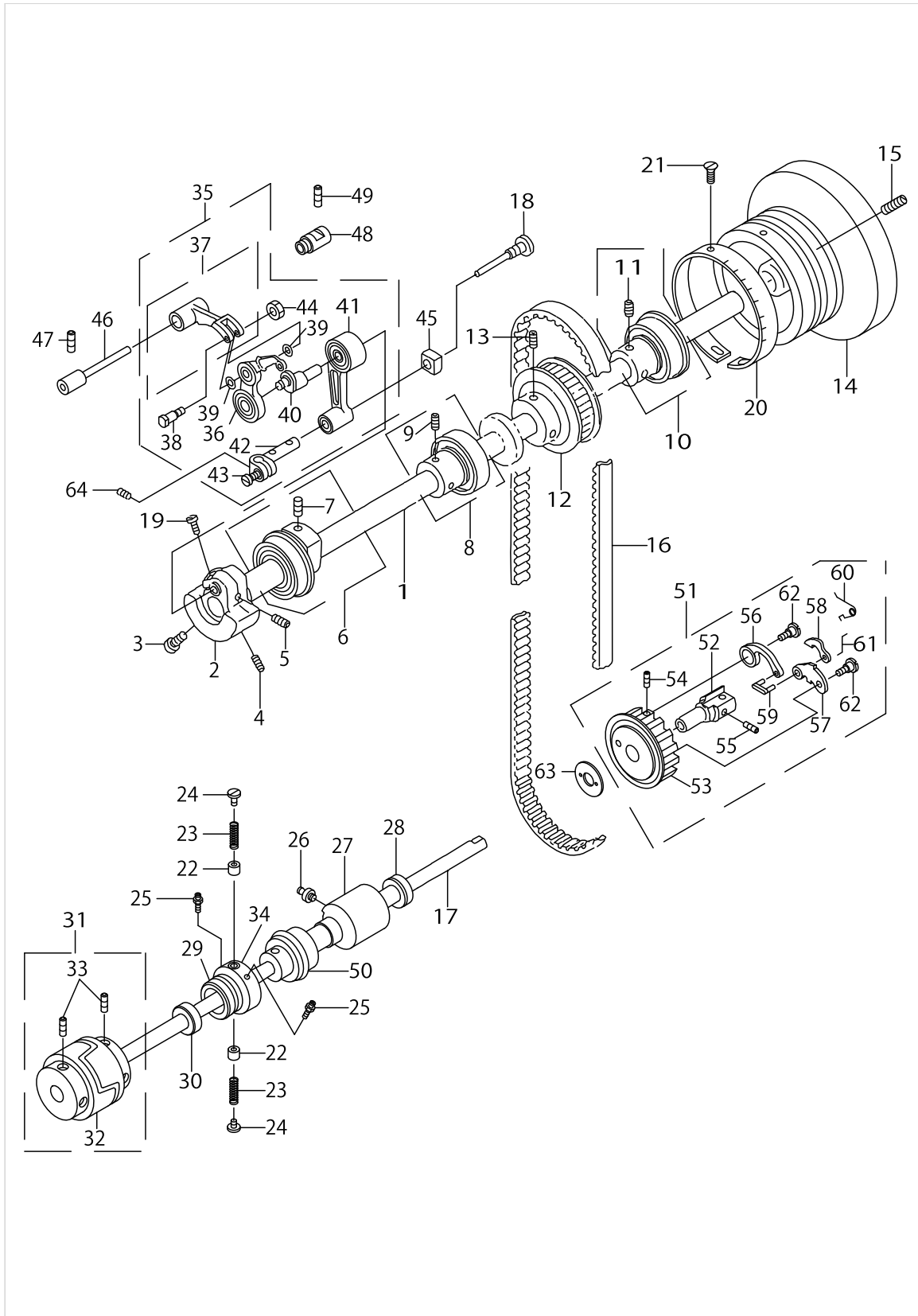
MAIN SHAFT, HOOK DRIVING SHAFT DELIVERY & THREAD TAKE-UP LEVER COMPONENTS



MAIN SHAFT,HOOK DRIVING SHAFT DELIVERY & THREAD TAKE-UP LEVER COMPONENTS

No.	Parts No.	Parts name	Remarks	Level	Cons	Qty
1	10704401	UPPER SHAFT				1
2	10704500	BALANCE WEIGHT				1
3	SS7681750TP	SCREW 9/32-28 L=16.5				1
4	SS8681650TP	SCREW 9/32-28 L=16				1
5	SS8660512TP	SCREW 1/4-40 L=5				1
6	10704757	BALANCE WEIGHT				1
7	SM8080802TP	SCREW		*		1
8	10704955	UPPER SHAFT BEARING HOOK A ASM				1
9	SM8060602TP	SCREW M6X6		*		2
10	10704963	UPPER SHAFT BEARING HOOK B ASM				1
11	SM8060602TP	SCREW M6X6		*		2
12	10705002	UPPER SPROCKET				1
13	SM8080802TP	SCREW				2
14	10741007	FLYWHEEL LARGE				1
15	SS8150822TP	SCREW 15/64-28 L=8				2
16	10706703	TIMING BELT				1
17	10705408	LOWER SHAFT				1
18	10708303	NEEDLE ROD THRUST SCREW				1
19	SS6621220SP	SCREW 3/16-32 L=12				2
20	10745909	FLYWHEEL SCALE PLATE				1
21	SM3030650SC	SCREW M3X0.5 L=6				3
22	11020401	PLUNGER				2
23	11020609	PLUNGER SPRING				2
24	11020500	PLUNGER SCREW				2
25	SQ1110401MZ	CONNECTING SCREW				2
26	SQ1150451MZ	CONNECTING SCREW				1
27	10775500	LOWER SHAFT REAR METAL				1
28	10705606	LOWER SHAFT METAL OIL SEAL				1
29	10705754	LOWER SHAFT FRONT METAL ASM.				1
30	10705606	LOWER SHAFT METAL OIL SEAL				1
31	40064519	LOWER SHAFT COUPLING SET				1
32	10776656	LOWER SHAFT COUPLING ASM.		*		1
33	SM8060602TP	SCREW M6X6		*		4
34	RO294310100	RUBBER RING				1
35	10771269	BALANCE ASM.				1
36	10771251	BALANCE JUNCTION COMPL.		*		1
37	10707156	BALANCE CRANK JUNCTION		*		1
38	10754802	BALANCE CRANK PIN.		*		1
39	10523702	WASHER		*		2
40	10707602	NEEDLE ROD CRANK		*		1
41	10707750	NEEDLE ROD CRANK ROD ASM.		*		1
42	10707958	NEEDLE ROD HOLDER ASM.		*		1
43	SS7090910TP	SCREW 9/64-40 L=8.5		*		1
44	NM6040001SN	NUT M4X0.7		*		1
45	10708006	NEEDLE ROD SQUARE BLOCK				1
46	10707206	BALANCE CRANK SHAFT				1
47	SS8120740SP	SCREW 3/16-28 L=7				1

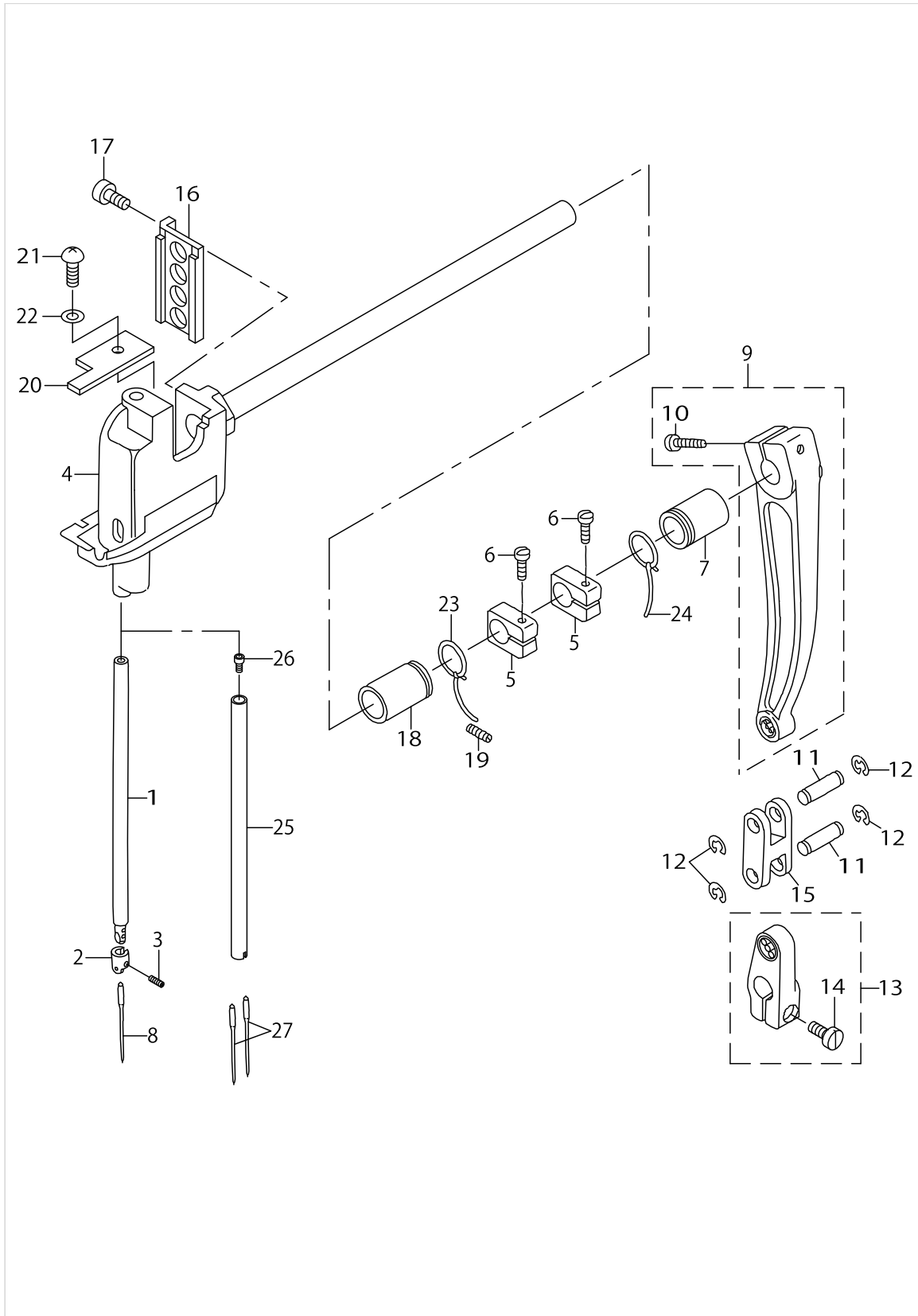
MAIN SHAFT, HOOK DRIVING SHAFT DELIVERY & THREAD TAKE-UP LEVER COMPONENTS



MAIN SHAFT,HOOK DRIVING SHAFT DELIVERY & THREAD TAKE-UP LEVER COMPONENTS

No.	Parts No.	Parts name	Remarks	Level	Cons	Qty
48	10707305	BALANCE CRANK SHAFT SUPPORT				1
49	SM8061212TP	SCREW M6X12				1
50	RO312240100	O-RING				1
51	10775658	SAFETY DEVICE ASM.				1
52	10775609	SAFETY DEVICE HOOK		*		1
53	10706315	LOWER SPROCKET		*		1
54	SM8040502TP	SCREW M4X0.7 L=5		*		1
55	SM8060602TP	SCREW M6X6		*		2
56	10591709	SAFETY SPRING		*		1
57	10748002	SAFETY CLUTCH PAWL		*		1
58	B1308055000	SAFETY CLUTCH COUNTER-HOOK		*		1
59	B1310055000	SAFETY CLUTCH SMALL LINK		*		1
60	40113224	COUNTER HOOK SPRING		*		1
61	B1314055000	SAFETY CLUTCH SMALL LINK PIN		*		1
62	SD0640322TP	HINGE SCREW D= 6.35 H=3.2		*		2
63	40052266	LOWER SHAFT COUPLING PLATE				1
64	SM8030402TP	SCREW M3X0.5 L=4				1

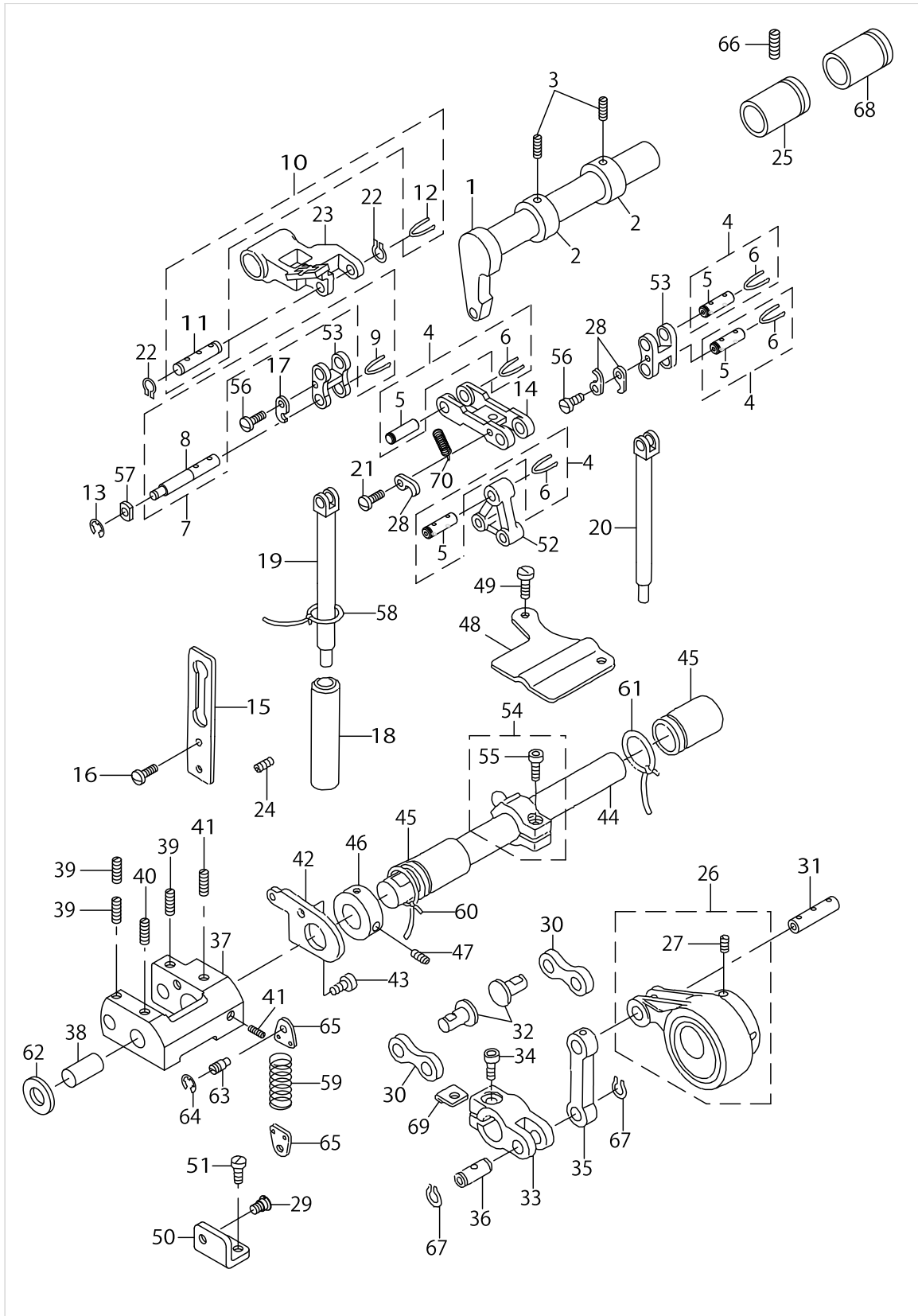
NEEDLE BAR ROCKING COMPONENTS



NEEDLE BAR ROCKING COMPONENTS

No.	Parts No.	Parts name	Remarks	Level	Cons	Qty
1	10708105	NEEDLE ROD				1
2	10708204	NEEDLE BAR THREAD GUIDE				1
3	SS8080410TP	SCREW 1/8-44 L=3.5				1
4	10708469	NEEDLE ROD ROCKING BASE SET				1
5	10708808	THRUST COLLAR				2
6	SS7111810TP	SCREW 11/64-40 L=18				2
7	10708907	ROCKING SHAFT METAL				1
8	MC321001400	NEEDLE 134-35 #140				1
9	10709152	NEEDLE ROD ROCKING LINK ASM.				1
10	SS6152440SP	SCREW 15/64-28 L=23.5		*		1
11	10709202	NEEDLE ROD LINK PIN				2
12	RE0600000K0	E-RING 6				4
13	10709350	FEED ARM ASM.				1
14	SS6151440SP	SCREW 15/64-28 L=14		*		1
15	10709400	NEEDLE ROD ROCKING LINK				1
16	10708501	ROLLER GUIDE BASE				1
17	SM6041012TP	SCREW M4X0.7 L=10				2
18	10709608	ROCKING SHAFT METAL				1
19	SS8120740SP	SCREW 3/16-28 L=7				1
20	10733806	SWING STAND FELT LOWER				1
21	SM1040801SC	SCREW M4X0.7 L=8				1
22	WP0450000SD	WASHER 4.5X8X0.5				1
23	CQ202000000	OIL WICK				0.2
24	CQ202000000	OIL WICK				0.2
25	10771103	NEEDLE BAR	FOR LU-2260*-*			1
26	SM6030602TP	SCREW M3X0.5 L=6	FOR LU-2260*-*			1
27	MC321001400	NEEDLE 134-35 #140	FOR LU-2260*-*			2

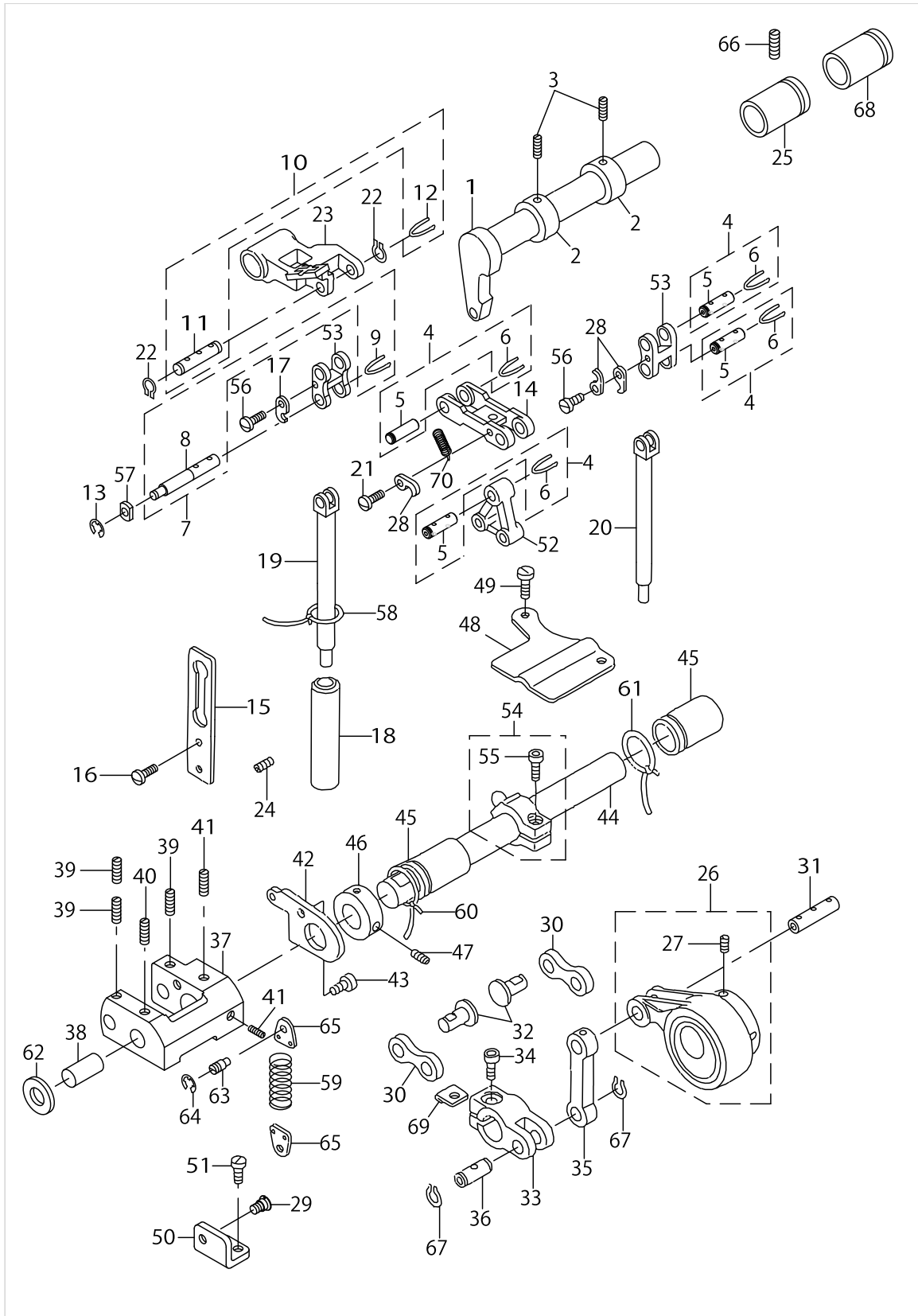
UPPER FEED MECHANISM COMPONENTS



UPPER FEED MECHANISM COMPONENTS

No.	Parts No.	Parts name	Remarks	Level	Cons	Qty
1	10709707	UPPER FEED SHAFT				1
2	CS1501011TH	THRUST COLLAR				2
3	SS8660410SP	SCREW 1/4-40 L=4.2				4
4	40132152	TRIANGLE LEVER SHAFT ASM.				4
5	40130995	TRIANGLE LEVER SHAFT		*		1
6	CQ252000000	OIL WICK		*		0.1
7	40132151	PRESSER ROD GUIDE SHAFT ASM.				1
8	10710309	PRESSER ROD GUIDE SHAFT		*		1
9	CQ252000000	OIL WICK		*		0.1
10	40132153	PRESSER ROD SHAFT ASM.				1
11	10711000	PRESSER ROD SHAFT		*		1
12	CQ252000000	OIL WICK		*		0.1
13	RE0400000K0	E-RING 4				1
14	40052240	CONNECTION LINK				1
15	10710408	PRESSER ROD GUIDE				1
16	SS6121050SP	SCREW 3/16-28 L=9.5				2
17	10710804	TRIANGLE LEVER SHAFT STOPPER				1
18	10710507	PRESSER ROD LOWER METAL				1
19	10710606	PRESSER ROD				1
20	10710705	UPPER FEED ROD				1
21	SS7080510TP	SCREW 1/8-44 L=4.5				1
22	RC0560711KP	RETAINING RING				2
23	10711117	PRESSER BAR GUIDE ARM				1
24	SS8120740SP	SCREW 3/16-28 L=7				1
25	10709608	ROCKING SHAFT METAL				1
26	10713766	ECCENTRIC ROD (SET)				1
27	SS8660810TP	SCREW 1/4-40 L=8		*		2
28	10710804	TRIANGLE LEVER SHAFT STOPPER				3
29	22908909	HINGE SCREW				1
30	40107949	CONNECTION LINK B				2
31	10713808	CONNECTION LINK PIN B				1
32	40052263	CONNECTION LINK B SUPPORT PIN				2
33	10713907	UPPER FEED CAM				1
34	SM6061602TP	SCREW M6 L=16				1
35	10714004	CONNECTION LINK A				1
36	10714103	CONNECTION LINK PIN A				1
37	10714202	VERTICAL CHANGE BELT				1
38	10751303	CHANGE BELT SUPPORT PIN				1
39	SM8050602TP	SCREW M5 L=6				3
40	SM8050512TP	SCREW M5 L=5				1
41	SM8050602TP	SCREW M5 L=6				2
42	10714400	VERTICAL STOPPER PLATE				1
43	SM6051002TP	SCREW M5X0.8 L=10				1
44	10714301	VERTICAL CHANGE BELT SHAFT				1
45	10708907	ROCKING SHAFT METAL				2
46	CS1501011TH	THRUST COLLAR				1
47	SS8660410SP	SCREW 1/4-40 L=4.2				2

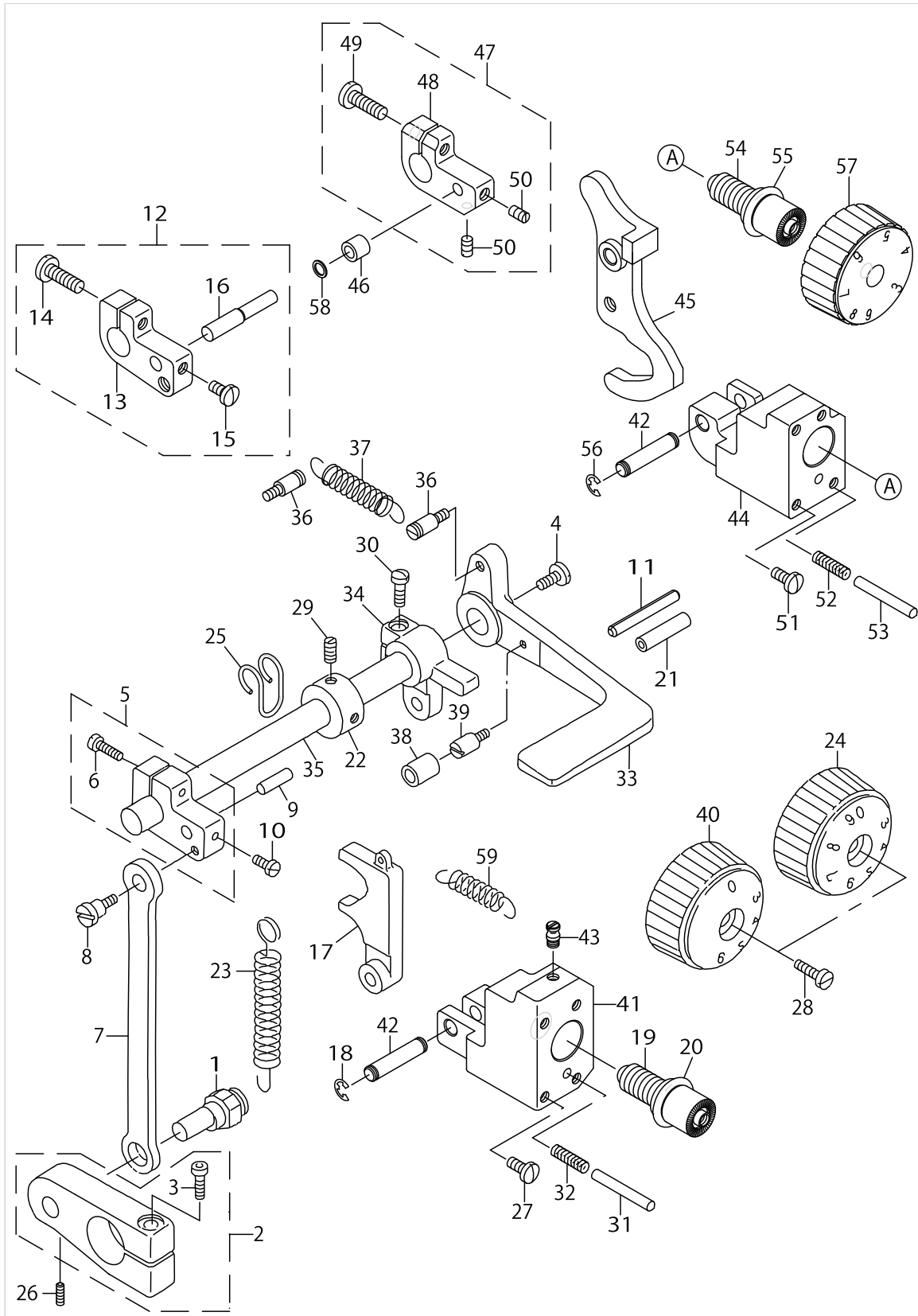
UPPER FEED MECHANISM COMPONENTS



UPPER FEED MECHANISM COMPONENTS

No.	Parts No.	Parts name	Remarks	Level	Cons	Qty
48	10714806	VERTICAL STOPPER PLATE				1
49	SS6121010SP	SCREW 3/16-28 L=10				2
50	10714905	VERTICAL SHAFT SPRING RACK				1
51	SS7120710SP	SCREW 3/16-28 L=7				1
52	10710002	TRIANGLE LEVER				1
53	10710101	ROCKING LINK				2
54	10715258	VERTICAL ADJUSTING ARM ASM.				1
55	SM6051402TP	SCREW M5X0.8 L=14		*		1
56	SS7080510TP	SCREW 1/8-44 L=4.5				2
57	10710200	PRESSER ROD SQUARE BLOCK				1
58	CQ202000000	OIL WICK				0.2
59	10716504	VERTICAL SHAFT SPRING				1
60	CQ202000000	OIL WICK				0.3
61	CQ202000000	OIL WICK				0.3
62	10109809	THRUST WASHER B				1
63	B3416552000	CONNECTING ROD HINGE SCREW				1
64	RE0500000K0	E-RING				1
65	10713501	SPRING HOOK				2
66	SS8120740SP	SCREW 3/16-28 L=7				1
67	RC0740811KP	C-RING				2
68	10708907	ROCKING SHAFT METAL				1
69	10710903	SPACER A				1
70	10739506	GUIDE SPRING				1

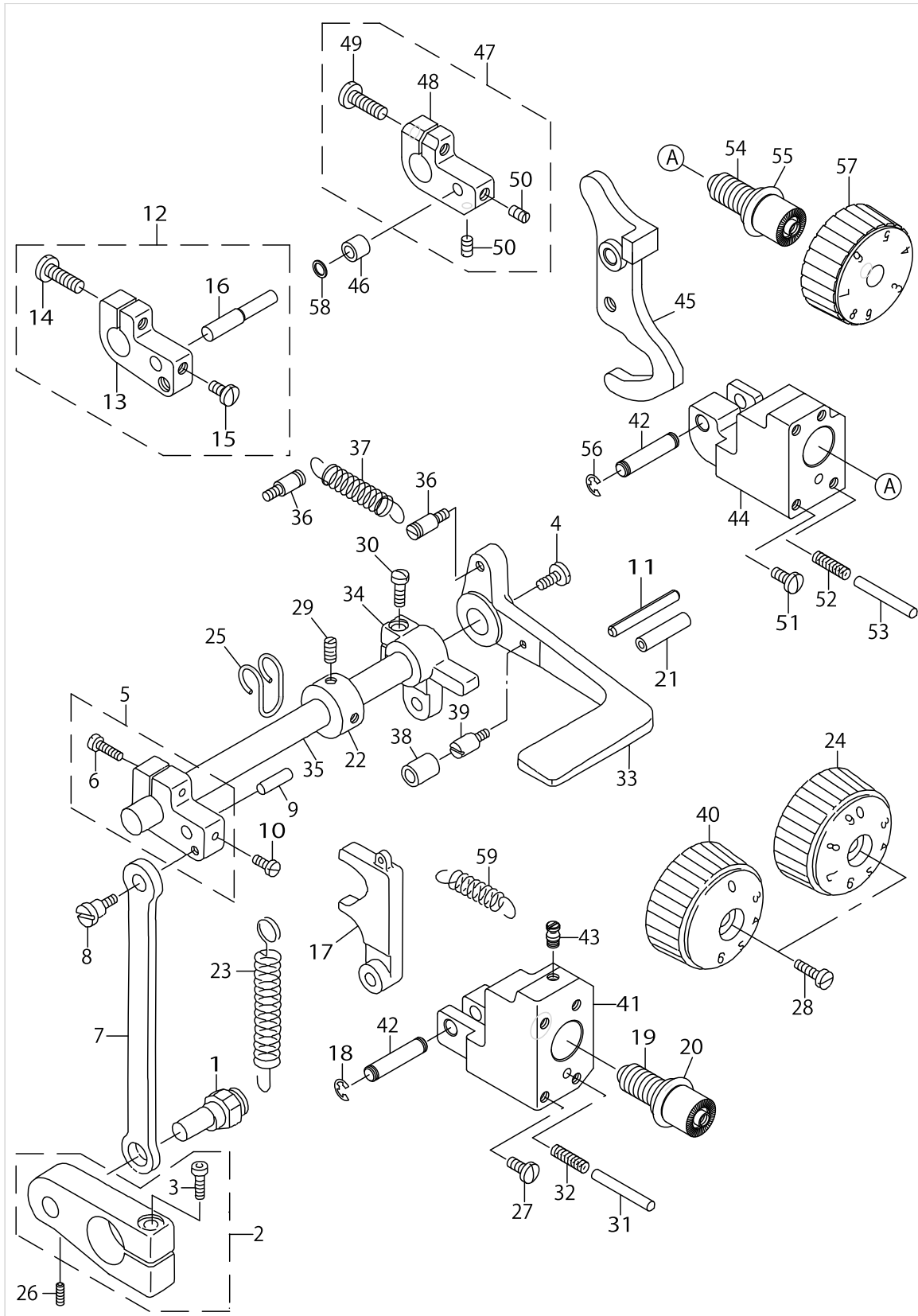
FEED ADJUSTMENT & REVERSE FEED MECHANISM COMPONENTS



FEED ADJUSTMENT & REVERSE FEED MECHANISM COMPONENTS

No.	Parts No.	Parts name	Remarks	Level	Cons	Qty
1	40052255	FEED ADJUSTING ECCENTRIC PIN				1
2	10720357	ADJUSTING CHANGE ARM ASM.				1
3	SM6062502TP	SCREW M6 L=25		*		1
4	SS7620750SP	SCREW 3/16-32 L=6.5				1
5	10720555	ADJUSTING ARM ASM.	EXCEPT LU-2212N-7			1
6	SS7121610SP	SCREW 3/16-28 L=15.5	EXCEPT LU-2212N-7	*		1
7	10720407	ADJUSTING CONNECTION RING				1
8	10725307	ADJUSTING CONNECTION RING PIN				1
9	10721504	FEED ADJUSTING PIN	EXCEPT LU-2212N-7			1
10	SS7110810SP	SCREW 11/64-40 L=8.0	EXCEPT LU-2212N-7			1
11	PS0400322KP	SPRING PIN 4.0X32				1
12	40027219	FEED ADJUSTING PIN HOLDER ASM.	FOR LU-2212N-7			1
13	10720506	ADJUSTING ARM		*		1
14	SS7121610SP	SCREW 3/16-28 L=15.5		*		1
15	SS7110810SP	SCREW 11/64-40 L=8.0		*		1
16	40025557	FEED ADJUSTING PIN (A)		*		1
17	10720605	ADJUSTING BELT				1
18	RE0400000K0	E-RING 4				2
19	10721009	ADJUSTING DIAL SCREW				1
20	RO118240100	O-RING				1
21	BT0600402EA	OIL TUBE				0.1
22	CS1201011SH	THRUST COLLAR D=12 W=10				1
23	10722007	PULLING SPRING				1
24	10744308	ADJUSTMENT DIAL	EXCEPT LU-2260*-*			1
25	10733509	SPRING RACK HOOK				1
26	SM8060602TP	SCREW M6X6				1
27	SS7110910SP	SCREW 11/64-40 L=8.5				4
28	SS6121860SP	SCREW 3/16-28 L=18				1
29	SS8660610TP	SCREW 1/4-40 L=6				2
30	SS7121610SP	SCREW 3/16-28 L=15.5				1
31	10718401	DIAL PIN				1
32	B1148141H00	SPRING				1
33	40052267	BACKWARD FEED LEVER				1
34	10721207	BACKWARD FEED CONNECTION ARM				1
35	10721900	BACKWARD FEED LEVER SHAFT				1
36	40023289	SPRING SUSPENSION				2
37	D2515232D00	TORSION SPRING				1
38	10119907	CUSHION				1
39	B1114280000	PIN				1
40	10771459	ADJUSTMENT DIAL ASM.	FOR LU-2260*-*			1
41	40052241	FEED ADJUSTING BASE A				1
42	22949101	ROLLER FULCRUM SHAFT				2
43	26017400	SPRING RAC				1
44	40052242	FEED ADJUSTING BASE B	FOR LU-2212N-7			1
45	40025556	FEED ADJUSTING (A)	FOR LU-2212N-7			1
46	13737804	DRIVING ARM BOSS ROLLER	FOR LU-2212N-7			1
47	40067341	FEED ADJUSTING PIN HOLDER ASM.	FOR LU-2212N-7			1

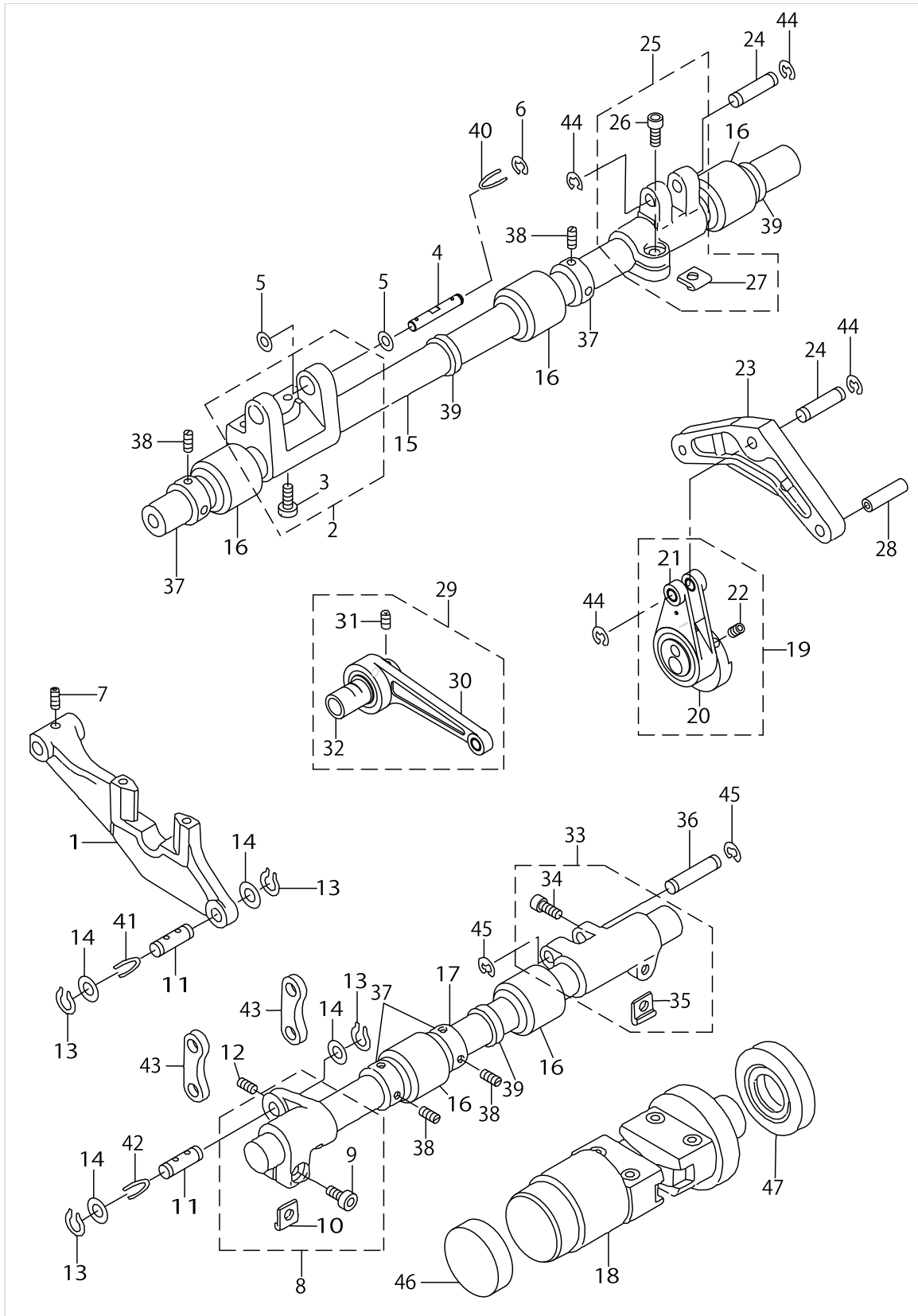
FEED ADJUSTMENT & REVERSE FEED MECHANISM COMPONENTS



FEED ADJUSTMENT & REVERSE FEED MECHANISM COMPONENTS

No.	Parts No.	Parts name	Remarks	Level	Cons	Qty
48	40052252	FEED ADJUSTING PIN HOLDER		*		1
49	SS7121610SP	SCREW 3/16-28 L=15.5		*		1
50	SS8090710SP	SCREW 9/64-40 L=7.0		*		2
51	SS7110910SP	SCREW 11/64-40 L=8.5	FOR LU-2212N-7			4
52	B1148141H00	SPRING	FOR LU-2212N-7			1
53	10718401	DIAL PIN	FOR LU-2212N-7			1
54	10721009	ADJUSTING DIAL SCREW	FOR LU-2212N-7			1
55	RO118240100	O-RING	FOR LU-2212N-7			1
56	RE0400000K0	E-RING 4	FOR LU-2212N-7			2
57	40027231	FEED DIAL(A) ASM.	FOR LU-2212N-7			1
58	40035542	ROLLER SPACER	FOR LU-2212N-7			1
59	10721306	CHANGE SPRING				1

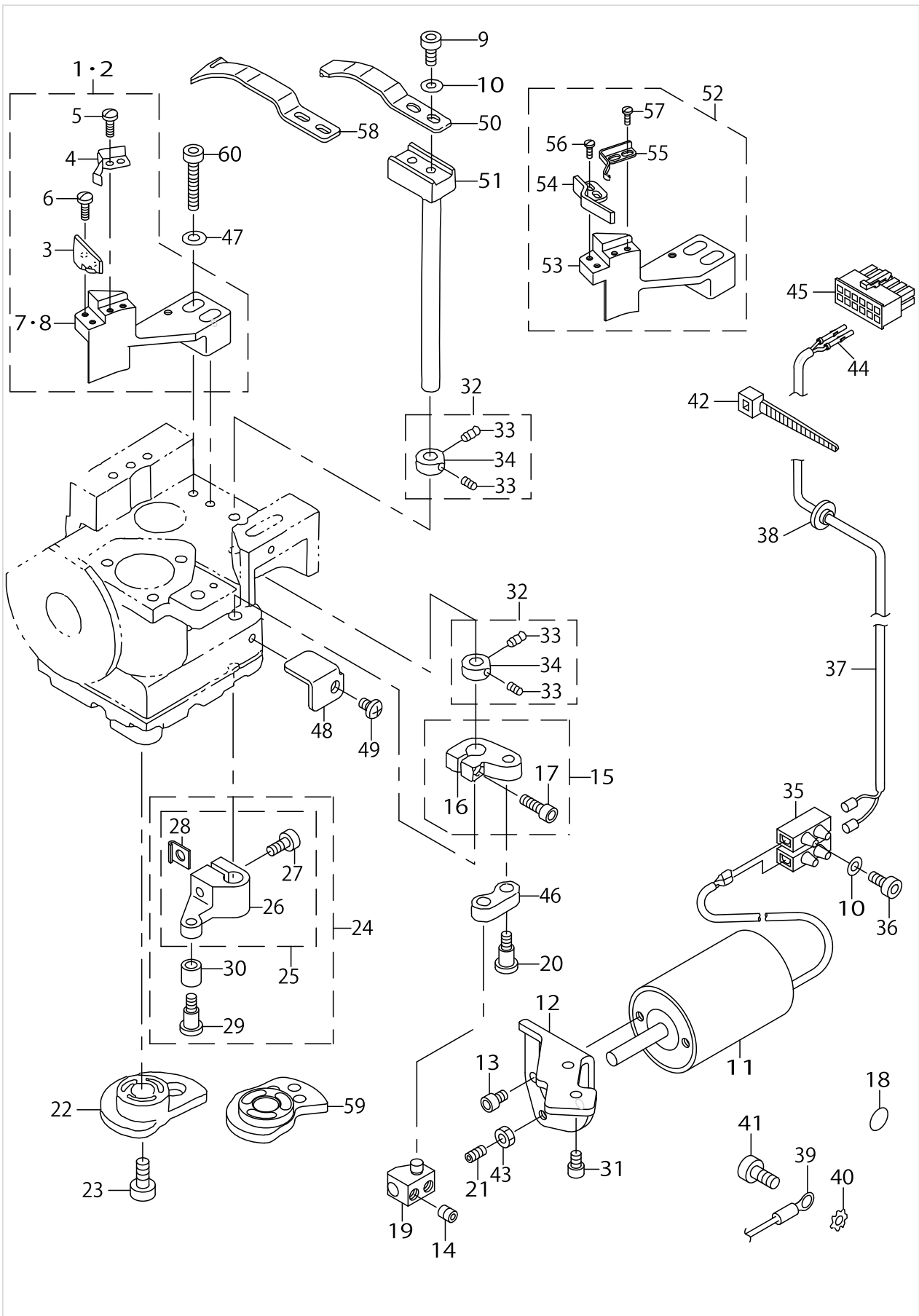
LOWER FEED MECHANISM COMPONENTS



LOWER FEED MECHANISM COMPONENTS

No.	Parts No.	Parts name	Remarks	Level	Cons	Qty
1	10717502	FEED BASE				1
2	10717668	FEED BASE ARM ASM.				1
3	SM6061650TP	SCREW		*		2
4	40052258	FEED BASE SHAFT				1
5	10746709	WASHER				2
6	RE0500000K0	E-RING				1
7	SS8110422TP	SCREW 11/64-40 L=4				1
8	10718658	VERTICAL FEED ARM ASM.				1
9	SS6151412TP	SCREW 15/64-28 L=14		*		1
10	10710903	SPACER A		*		1
11	10718906	VERTICAL FEED LINK SHAFT				2
12	SM8030402TP	SCREW M3X0.5 L=4				1
13	RC0650811KP	RETAINING RING				4
14	WP0740516SP	WASHER 7.4X11.8X0.5				4
15	10717908	HORIZONTAL FEED SHAFT				1
16	10718203	FEED SHAFT FRONT METAL				5
17	10718807	VERTICAL FEED SHAFT				1
18	10719052	FEED CHANGE BELT ASM.				1
19	10719664	HORIZONTAL FEED ROD				1
20	10719201	HORIZONTAL FEED CAM		*		1
21	10719656	HORIZONTAL FEED ROD ASM.		*		1
22	SS8661012TP	SCREW		*		2
23	10719300	BELL CRANK				1
24	10718005	FEED ARM SHAFT				2
25	10718153	FEED SHAFT ARM ASM.				1
26	SM6061552TP	SCREW M6 L=15		*		1
27	10710903	SPACER A		*		1
28	10719508	ADJUSTING BLOCK SHAFT				1
29	10719961	VERTICAL FEED ROD ASM.				1
30	10719953	VERTICAL FEED ROD COMPL.		*		1
31	SM8060552TP	SCREW M6 L=5		*		2
32	10720001	VERTICAL FEED CAM		*		1
33	10718153	FEED SHAFT ARM ASM.				1
34	SM6061552TP	SCREW M6 L=15		*		1
35	10710903	SPACER A		*		1
36	10718005	FEED ARM SHAFT				1
37	CS1501011TH	THRUST COLLAR				4
38	SS8660410SP	SCREW 1/4-40 L=4.2				8
39	13707500	OIL SEAL				3
40	CQ202000000	OIL WICK				0.1
41	CQ202000000	OIL WICK				0.1
42	CQ202000000	OIL WICK				0.1
43	10718500	VERTICAL LINK				2
44	RE0500000K0	E-RING				4
45	RE0500000K0	E-RING				2
46	10719706	CHANGE BELT OIL SEAL A				1
47	10719805	CHANGE BELT OIL SEAL B				1

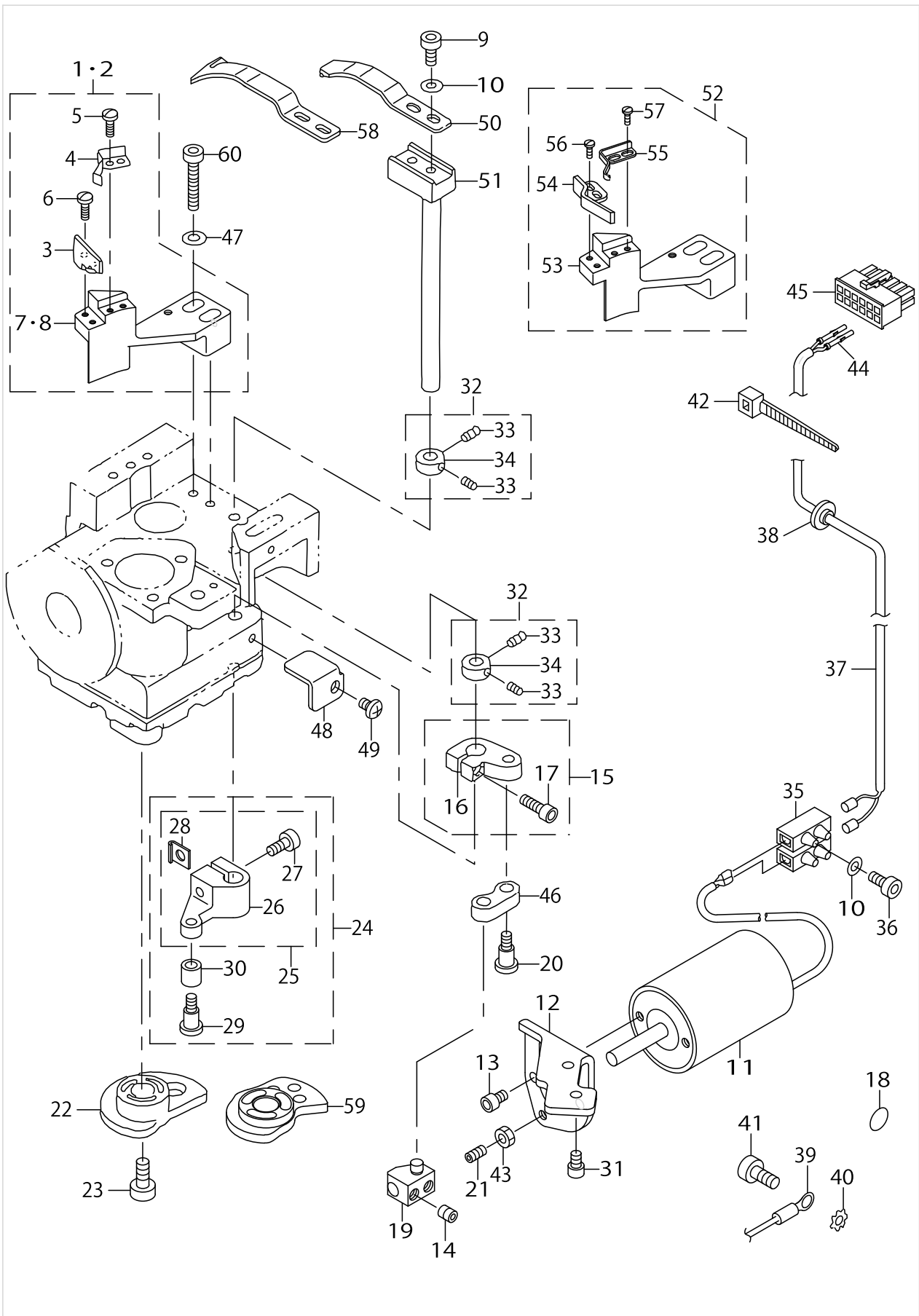
RIGHT HOOK SHAFT BASE THREAD TRIMMER COMPONENTS



RIGHT HOOK SHAFT BASE THREAD TRIMMER COMPONENTS

No.	Parts No.	Parts name	Remarks	Level	Cons	Qty
1	10761450	FIXED KNIFE BASE ASM.	FOR LU-2210N-*			1
2	10726552	FIXED KNIFE BASE ASM.	FOR LU-2210W-*			1
3	10726404	FIXED KNIFE		*		1
4	10726909	CLAMP SPRING		*		1
5	SS7060610SP	SCREW 3/32-56 L=5.5		*		2
6	SS7060610SP	SCREW 3/32-56 L=5.5		*		2
7	10761401	FIXED KNIFE BASE		*		1
8	10726503	FIXED KNIFE BASE	FOR LU-2210W-*	*		1
9	SM6030802TP	SCREW M3X0.5 L=8				2
10	WP0320501SC	WASHER M3				3
11	10772804	THREAD CUTTING SOLENOID				1
12	10772309	SOLENOID FITTING PLATE RIGHT				1
13	SM6040602TP	SCREW M4 L=6				2
14	SM8050602TP	SCREW M5 L=6				2
15	10727857	DRIVING ARM B ASM.				1
16	10727808	DRIVING ARM B		*		1
17	SM6041202TP	SCREW M4X0.7 L=12		*		1
18	22901805	GROUND MARK				1
19	10754505	THREAD CUTTING SOLENOID ARM				1
20	SD0500481TP	HINGE SCREW D=5 H=4.8				1
21	SM8040802TP	SCREW M4X8				1
22	10727709	THREAD CUTTING CAM				1
23	SM6041202TP	SCREW M4X0.7 L=12				3
24	10728160	DRIVING ARM A COMPL.				1
25	10728152	DRIVING ARM A ASM.		*		1
26	10728103	DRIVING ARM A		*		1
27	SM6051402TP	SCREW M5X0.8 L=14		*		1
28	10711406	SPACER B		*		1
29	SD0500721SP	HINGE SCREW D=5 H=7.2		*		1
30	B3031141H00	CONNECTING STUD		*		1
31	SM6040602TP	SCREW M4 L=6				2
32	40101351	THRUST COLLAR ASM.				2
33	SS8110422TP	SCREW 11/64-40 L=4		*		2
34	22917009	THRUST COLLAR		*		1
35	10728301	TERMINAL BASE				1
36	SM6031202TP	SCREW M3X0.5 L=12				1
37	HW500140000	2-C CABLE				1
38	10732204	CORD BUSH				1
39	22951552	GROUND WIRE ASM.				1
40	WT0530002KS	TOOTHED WASHER D=5.3				1
41	SS6111140SP	SCREW 11/64-40 L=11				1
42	EA9500B0200	CABLE BAND 150				1
43	NM6040001SC	NUT M4				1
44	HK03464000B	PIN CONTACT				2
45	HK034610120	HOUSING 12P				1
46	10727907	DRIVING LINK B				1
47	WP0520656SA	WASHER 5.2X9.5X0.6				2

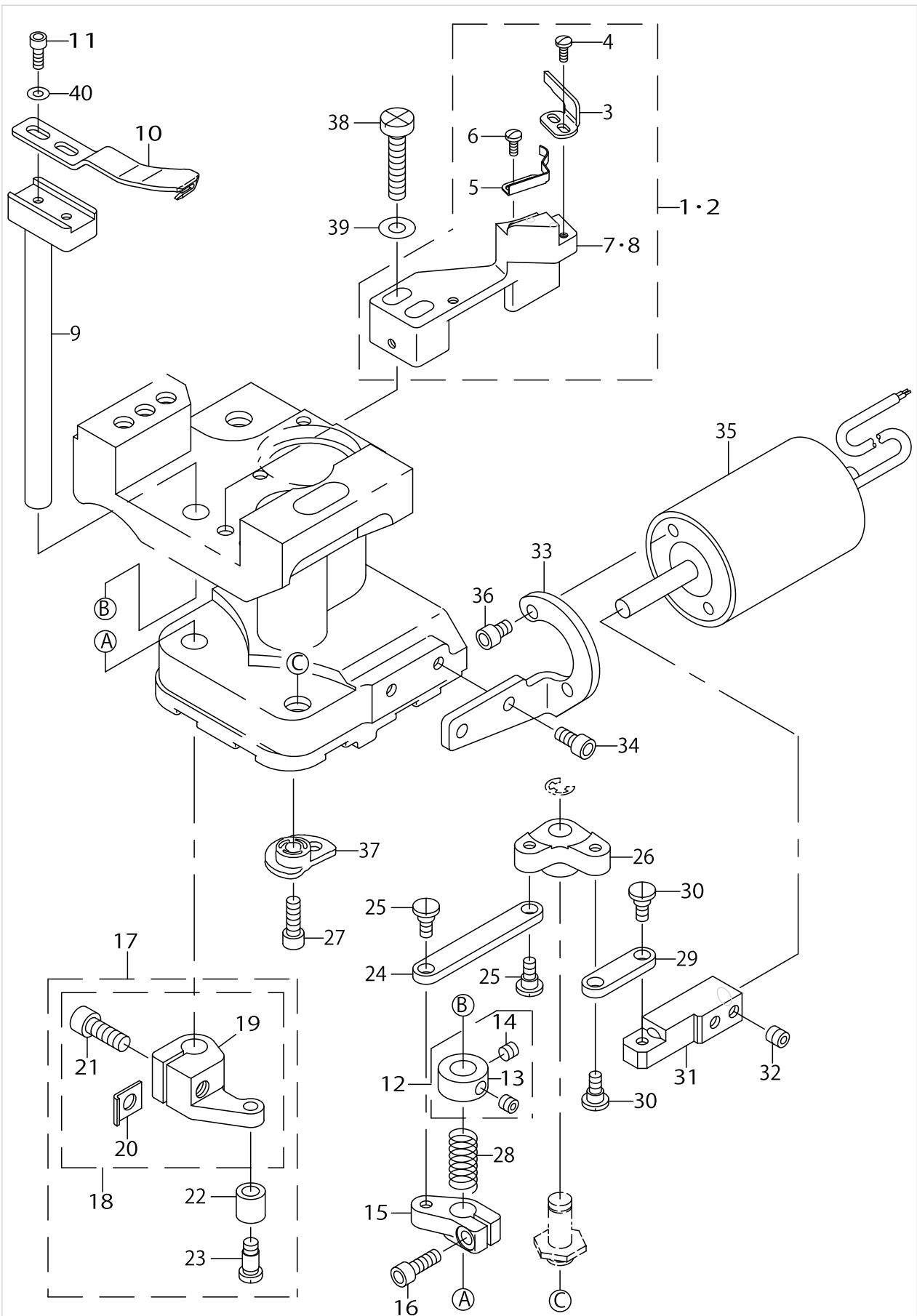
RIGHT HOOK SHAFT BASE THREAD TRIMMER COMPONENTS



RIGHT HOOK SHAFT BASE THREAD TRIMMER COMPONENTS

No.	Parts No.	Parts name	Remarks	Level	Cons	Qty
48	10754604	SOLENOID ARM GUIDE PLATE				1
49	SM4040601SB	SCREW M4 L=6				1
50	10726305	MOVING KNIFE				1
51	10726800	MOVING KNIFE SHAFT				1
52	40027119	FIXED KNIFE BASE ASM.	FOR LU-2212N-7			1
53	40027118	FIXED KNIFE BASE (B)		*		1
54	21389309	FIXED KNIFE		*		1
55	21389408	CLAMP SPRING		*		1
56	SS7060610SP	SCREW 3/32-56 L=5.5		*		2
57	SS7060610SP	SCREW 3/32-56 L=5.5		*		2
58	21389200	MOVING KNIFE	FOR LU-2212N-7			1
59	40025563	THRED TRIMMER CAM (A)	FOR LU-2212N-7			1
60	SM6052502TP	SCREW M5X0.8 L=25				2

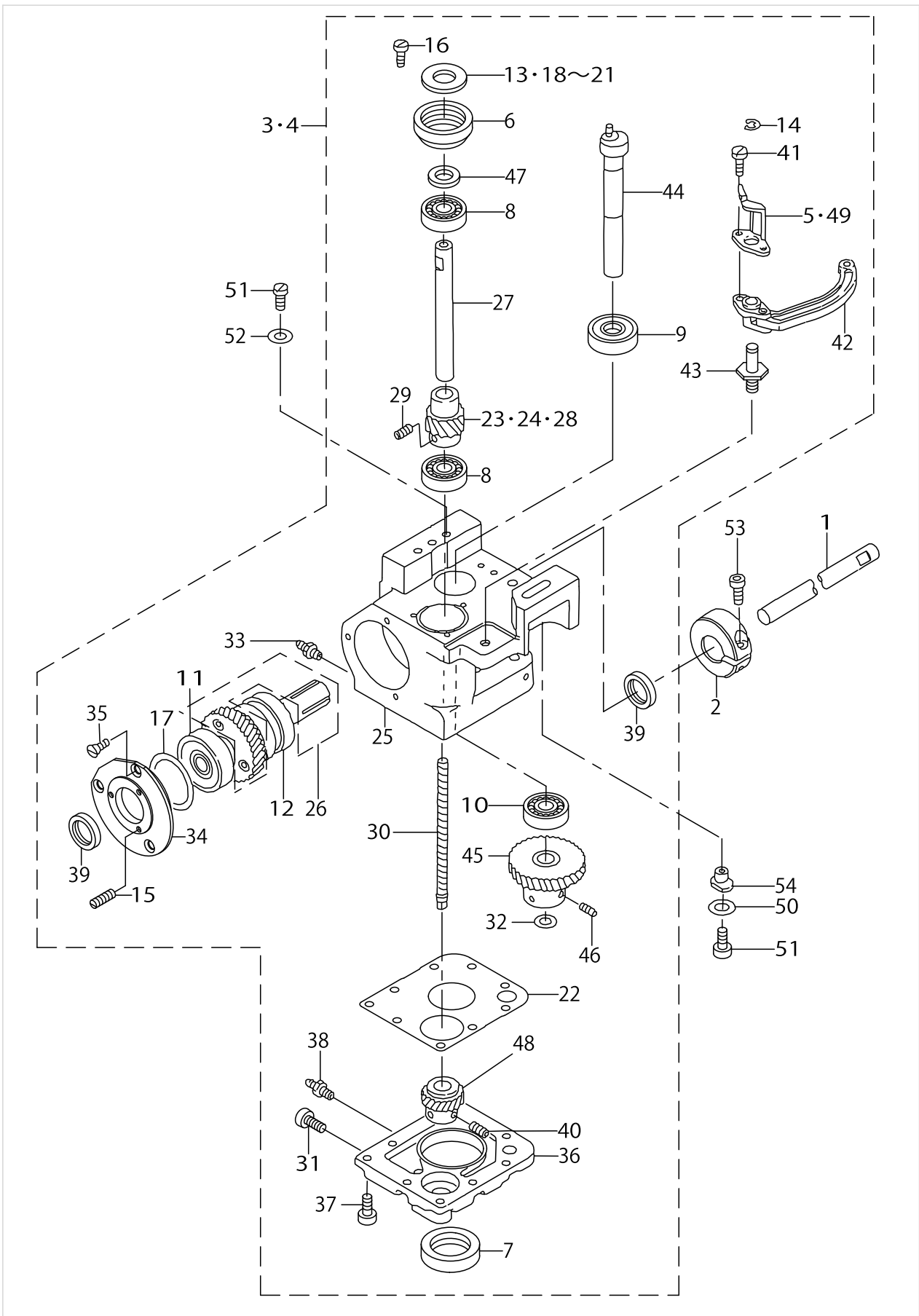
LEFT HOOK SHAFT BASE THREAD TRIMMER COMPONENTS(FOR LU-2260*~*)



LEFT HOOK SHAFT BASE THREAD TRIMMER COMPONENTS(FOR LU-2260*-*)

No.	Parts No.	Parts name	Remarks	Level	Cons	Qty
1	10761450	FIXED KNIFE BASE ASM.	FOR LU-2260N*-*			2
2	10726552	FIXED KNIFE BASE ASM.	FOR LU-2260W*-*			2
3	10726404	FIXED KNIFE		*		1
4	SS7060610SP	SCREW 3/32-56 L=5.5		*		2
5	10726909	CLAMP SPRING		*		1
6	SS7060610SP	SCREW 3/32-56 L=5.5		*		2
7	10761401	FIXED KNIFE BASE	FOR LU-2260N*-*	*		1
8	10726503	FIXED KNIFE BASE	FOR LU-2260W*-*	*		1
9	10726800	MOVING KNIFE SHAFT				1
10	10726305	MOVING KNIFE				1
11	SM6030802TP	SCREW M3X0.5 L=8				2
12	40101351	THRUST COLLAR ASM.				1
13	CS0790731SH	THRUST COLLAR		*		1
14	SS8110422TP	SCREW 11/64-40 L=4		*		2
15	10771806	DRIVING ARM C				1
16	SM6041202TP	SCREW M4X0.7 L=12				1
17	10728160	DRIVING ARM A COMPL.				1
18	10728152	DRIVING ARM A ASM.		*		1
19	10728103	DRIVING ARM A		*		1
20	10711406	SPACER B		*		1
21	SM6051402TP	SCREW M5X0.8 L=14		*		1
22	B3031141H00	CONNECTING STUD		*		1
23	SD0500721SP	HINGE SCREW D=5 H=7.2		*		1
24	10771905	DRIVING LINK A				1
25	SD0500301SP	HINGE SCREW D=5 H=3				2
26	10772507	DRIVING ARM E				1
27	SM6041202TP	SCREW M4X0.7 L=12				3
28	B2311019000	TENSION SPRING				1
29	10772002	DRIVING LINK B				1
30	SD0500301SP	HINGE SCREW D=5 H=3				2
31	10772101	SOLENOID ARM,LEFT				1
32	SM8050502TP	SCREW M5 L=5				2
33	10772200	MAGNET FITTING BASE LEFT				1
34	SM6040802TP	SCREW M4X0.7 L=8				2
35	10772804	THREAD CUTTING SOLENOID				1
36	SM6040602TP	SCREW M4 L=6				2
37	10727709	THREAD CUTTING CAM				1
38	SM6052502TP	SCREW M5X0.8 L=25				2
39	WP0520656SA	WASHER 5.2X9.5X0.6				2
40	WP0320501SC	WASHER M3				2

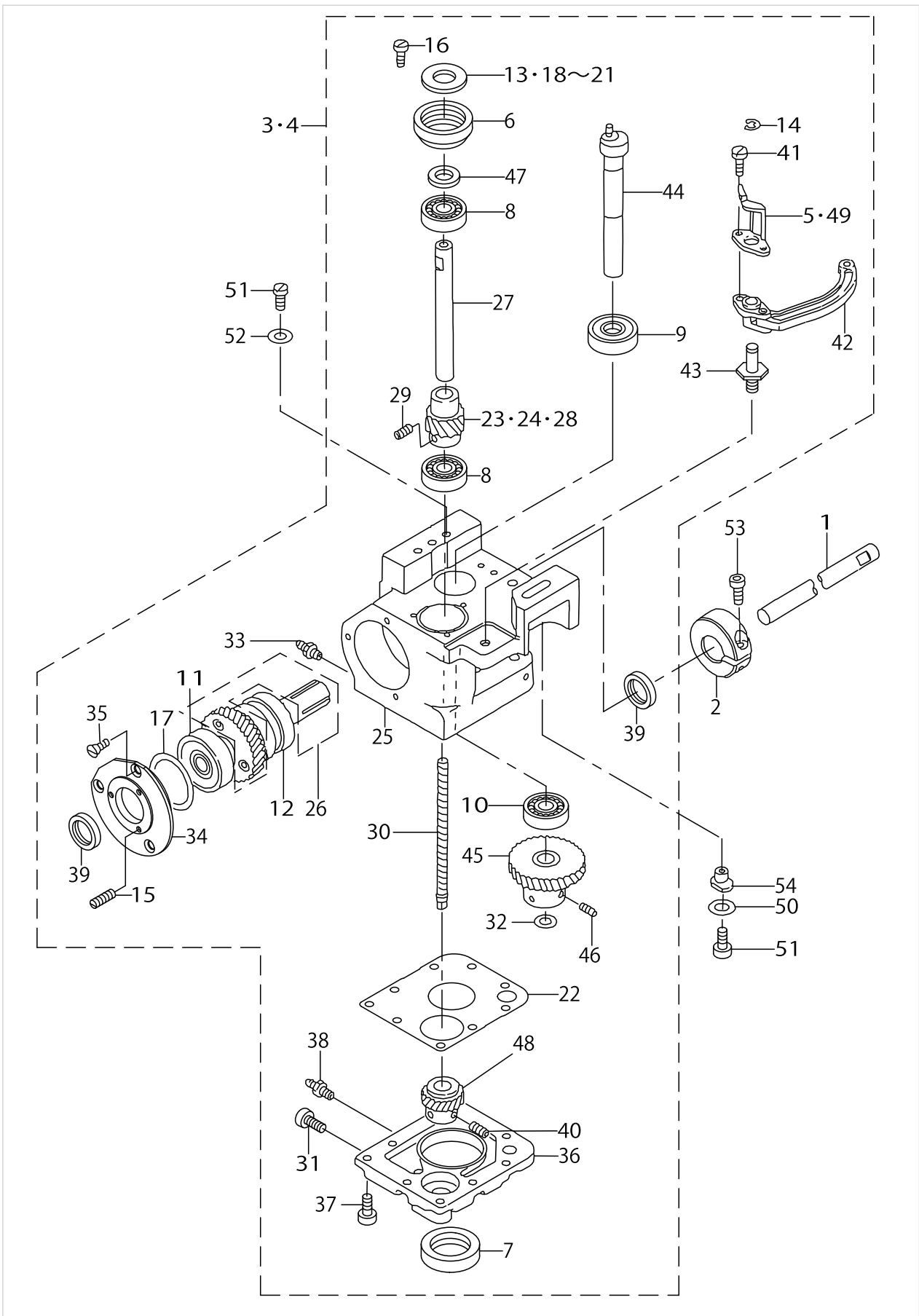
RIGHT HOOK SHAFT BASE COMPONENTS



RIGHT HOOK SHAFT BASE COMPONENTS

No.	Parts No.	Parts name	Remarks	Level	Cons	Qty
1	10722403	LOWER SHAFT B	FOR LU-221**-*			1
2	40052253	SET COLLAR				1
3	10770352	HOOK SHAFT BASE RIGHT ASM.				1
4	40033672	HOOK SHAFT BASE RIGHT ASM.	EXCEPT LU-2212N-7			1
5	40033293	OPENER	EXCEPT LU-2212N-7	*		1
6	10755601	BEARING COLLAR		*		1
7	10726107	OIL SEAL		*		1
8	B1215804000	BALL BEARING D		*		2
9	SB110000900	BEARING		*		1
10	SB110001000	BEARING		*		1
11	SB115000400	RADIAL BEARING		*		1
12	SB115000900	BEARING		*		2
13	10111201	THRUST WASHER F	SELECTIVE PARTS	*		1
14	RE0400000K0	E-RING 4		*		1
15	SS8080610SP	SCREW 1/8-44 L=5.5		*		3
16	SS6111140SP	SCREW 11/64-40 L=11		*		3
17	RO357350100	O-RING		*		1
18	10112605	THRUST WASHER 1.7	SELECTIVE PARTS	*		1
19	10112704	THRUST WASHER 1.8	SELECTIVE PARTS	*		1
20	10109809	THRUST WASHER B	SELECTIVE PARTS	*		1
21	10112506	THRUST WASHER 1.6	SELECTIVE PARTS	*		1
22	10770402	HOOK SHAFT BOTTOM PACKING		*		1
23	10739308	HOOK SHAFT SCREW GEAR	SELECTIVE PARTS	*		1
24	10739407	HOOK SHAFT SCREW GEAR	SELECTIVE PARTS	*		1
25	10770303	HOOK SHAFT BASE RIGHT		*		1
26	10722353	LOWER SHAFT A ASM.		*		1
27	10723708	HOOK SHAFT		*		1
28	10723807	SCREW GEAR	SELECTIVE PARTS	*		1
29	SM8050502TP	SCREW M5 L=5		*		2
30	10723906	LUBRICATING SHAFT		*		1
31	SM4030601SC	SCREW M3X6		*		1
32	RO098240100	RUBBER RING		*		1
33	SQ1150451MZ	CONNECTING SCREW		*		1
34	10724201	BEARING HOLDER		*		1
35	SS1110840SP	SCREW 11/64-40 L=8		*		3
36	10775302	HOOK SHAFT LOWER PLATE RIGHT		*		1
37	SM6041002TP	SCREW M4 L=10		*		9
38	SQ1150501SD	CONNECTING SCREW		*		1
39	10724805	OIL SEAL		*		2
40	SM8050502TP	SCREW M5 L=5		*		2
41	SS6080610TP	SCREW 1/8-44 L=6		*		2
42	10725158	OPENER ARM COMPL.		*		1
43	10770501	OPNER ARM SHAFT B		*		1
44	10725604	OPENER SHAFT		*		1
45	40063991	OPENER_SHAFT_SCREW_GEAR		*		1
46	SM8050502TP	SCREW M5 L=5		*		2
47	10724706	BEARING SPACER		*		1

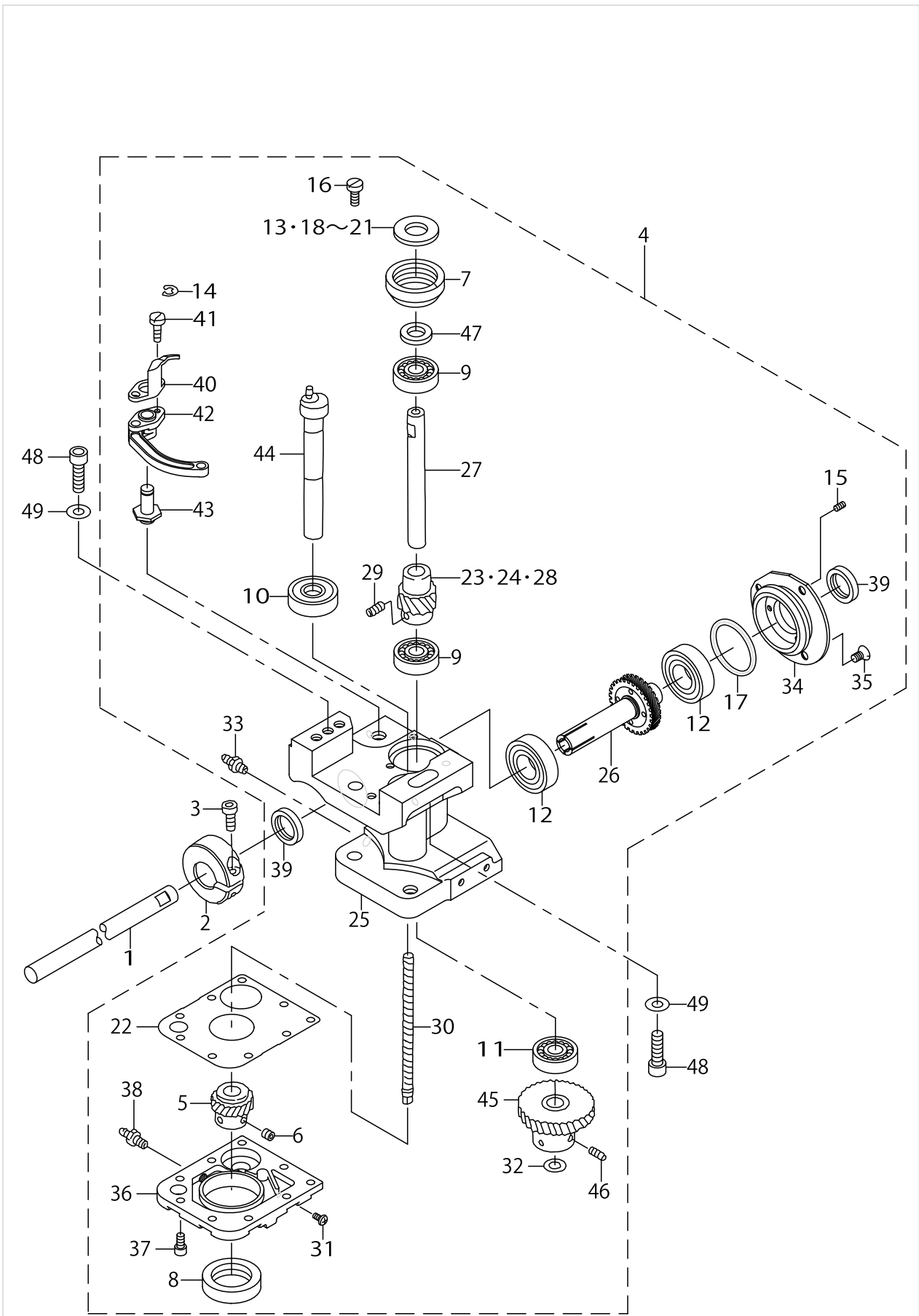
RIGHT HOOK SHAFT BASE COMPONENTS



RIGHT HOOK SHAFT BASE COMPONENTS

No.	Parts No.	Parts name	Remarks	Level	Cons	Qty
48	40063992	HOOK_SHAFT_SCREW_GEAR		*		1
49	10725000	OPENER		*		1
50	WP0651056SH	WASHER 6.5X11X1				1
51	SM6062002TP	SCREW M6 L=20				2
52	WP0621016SH	WASHER				3
53	SM6051402TP	SCREW M5X0.8 L=14				1
54	40052244	HOOK SHAFT BASE ECCENTRIC PIN				1

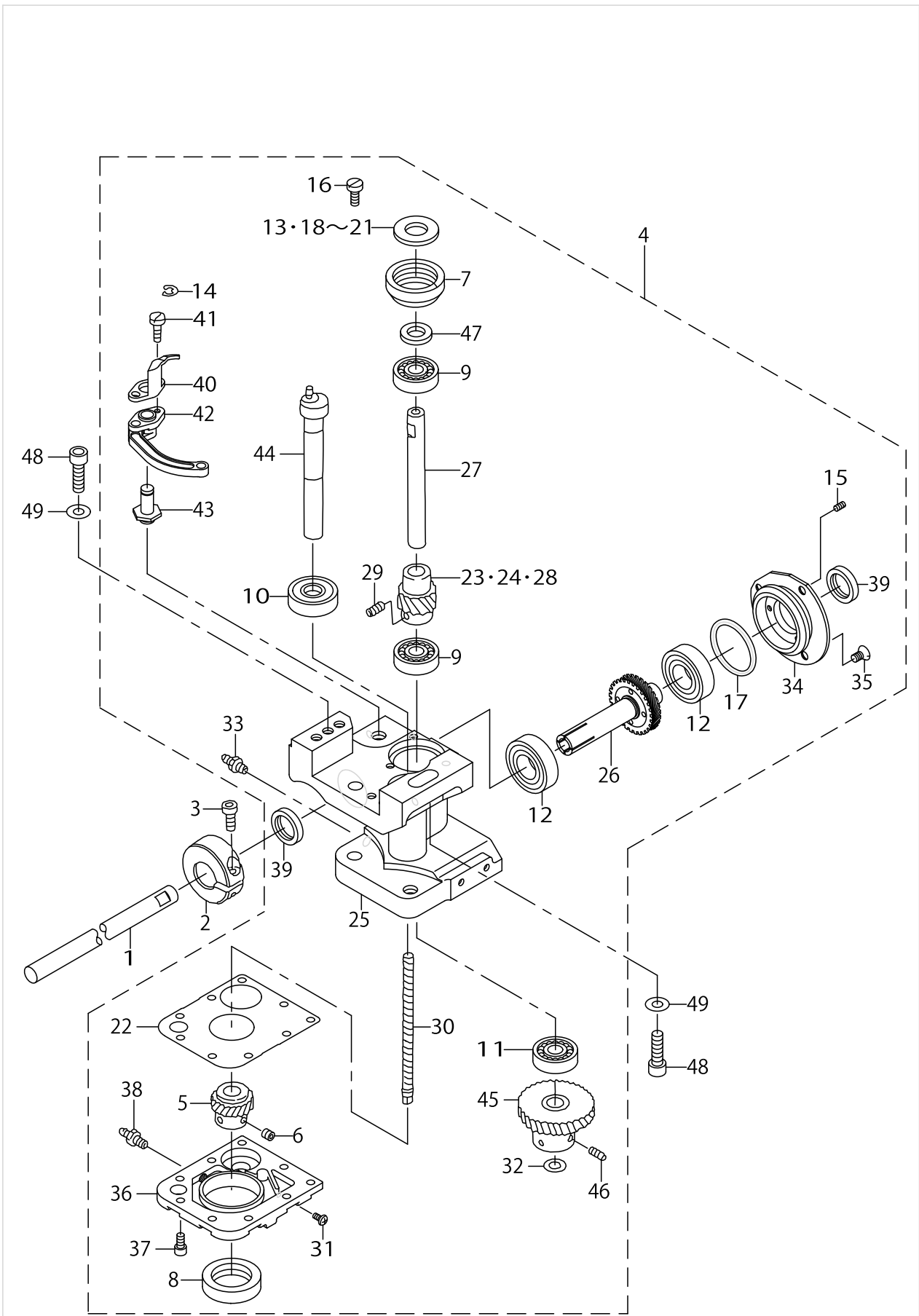
LEFT HOOK SHAFT BASE COMPONENTS(FOR LU-2260*~*)



LEFT HOOK SHAFT BASE COMPONENTS(FOR LU-2260*-**)

No.	Parts No.	Parts name	Remarks	Level	Cons	Qty
1	10772705	LOWER SHAFT C				1
2	40052253	SET COLLAR				1
3	SM6051402TP	SCREW M5X0.8 L=14				1
4	10771756	HOOK SHAFT BASE LEFT ASM.				1
5	40063992	HOOK_SHAFT_SCREW_GEAR		*		1
6	SM8050502TP	SCREW M5 L=5		*		2
7	10755601	BEARING COLLAR		*		1
8	10726107	OIL SEAL		*		1
9	B1215804000	BALL BEARING D		*		2
10	SB110000900	BEARING		*		1
11	SB110001000	BEARING		*		1
12	SB115000400	RADIAL BEARING		*		2
13	10111201	THRUST WASHER F	SELECTIVE PARTS	*		1
14	RE0400000K0	E-RING 4		*		1
15	SS8080610SP	SCREW 1/8-44 L=5.5		*		3
16	SS6111140SP	SCREW 11/64-40 L=11		*		3
17	RO357350100	O-RING		*		1
18	10112605	THRUST WASHER 1.7	SELECTIVE PARTS	*		1
19	10112704	THRUST WASHER 1.8	SELECTIVE PARTS	*		1
20	10109809	THRUST WASHER B	SELECTIVE PARTS	*		1
21	10112506	THRUST WASHER 1.6	SELECTIVE PARTS	*		1
22	10770402	HOOK SHAFT BOTTOM PACKING		*		1
23	10739308	HOOK SHAFT SCREW GEAR	SELECTIVE PARTS	*		1
24	10739407	HOOK SHAFT SCREW GEAR	SELECTIVE PARTS	*		1
25	10771707	HOOK SHAFT BASE LEFT		*		1
26	10722353	LOWER SHAFT A ASM.		*		1
27	10723708	HOOK SHAFT		*		1
28	10723807	SCREW GEAR		*		1
29	SM8050502TP	SCREW M5 L=5		*		2
30	10723906	LUBRICATING SHAFT		*		1
31	SM4030601SC	SCREW M3X6		*		1
32	RO098240100	RUBBER RING		*		1
33	SQ1150451MZ	CONNECTING SCREW		*		1
34	10724201	BEARING HOLDER		*		1
35	SS1110840SP	SCREW 11/64-40 L=8		*		3
36	10772408	HOOK SHAFT LOWER PLATE LEFT		*		1
37	SM6040802TP	SCREW M4X0.7 L=8		*		9
38	SQ1150501SD	CONNECTING SCREW		*		1
39	10724805	OIL SEAL		*		2
40	10725000	OPENER		*		1
41	SS6080610TP	SCREW 1/8-44 L=6		*		2
42	10725158	OPENER ARM COMPL.		*		1
43	10770501	OPNER ARM SHAFT B		*		1
44	10725604	OPENER SHAFT		*		1
45	40063991	OPENER_SHAFT_SCREW_GEAR		*		1
46	SM8050502TP	SCREW M5 L=5		*		2
47	10724706	BEARING SPACER		*		1

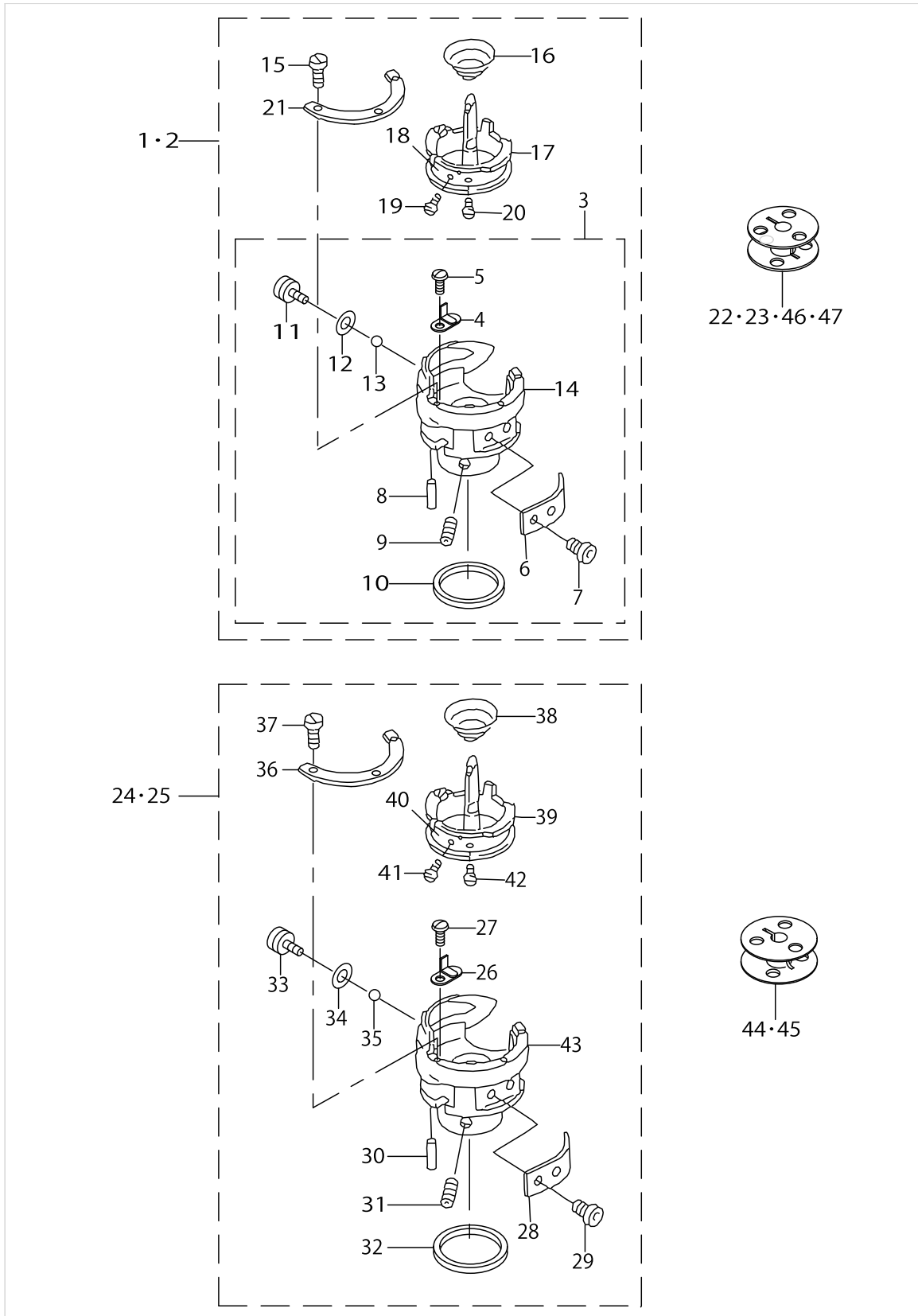
LEFT HOOK SHAFT BASE COMPONENTS(FOR LU-2260*~*)



LEFT HOOK SHAFT BASE COMPONENTS(FOR LU-2260*~*)

No.	Parts No.	Parts name	Remarks	Level	Cons	Qty
48	SM6062002TP	SCREW M6 L=20				2
49	WP0621016SH	WASHER				2

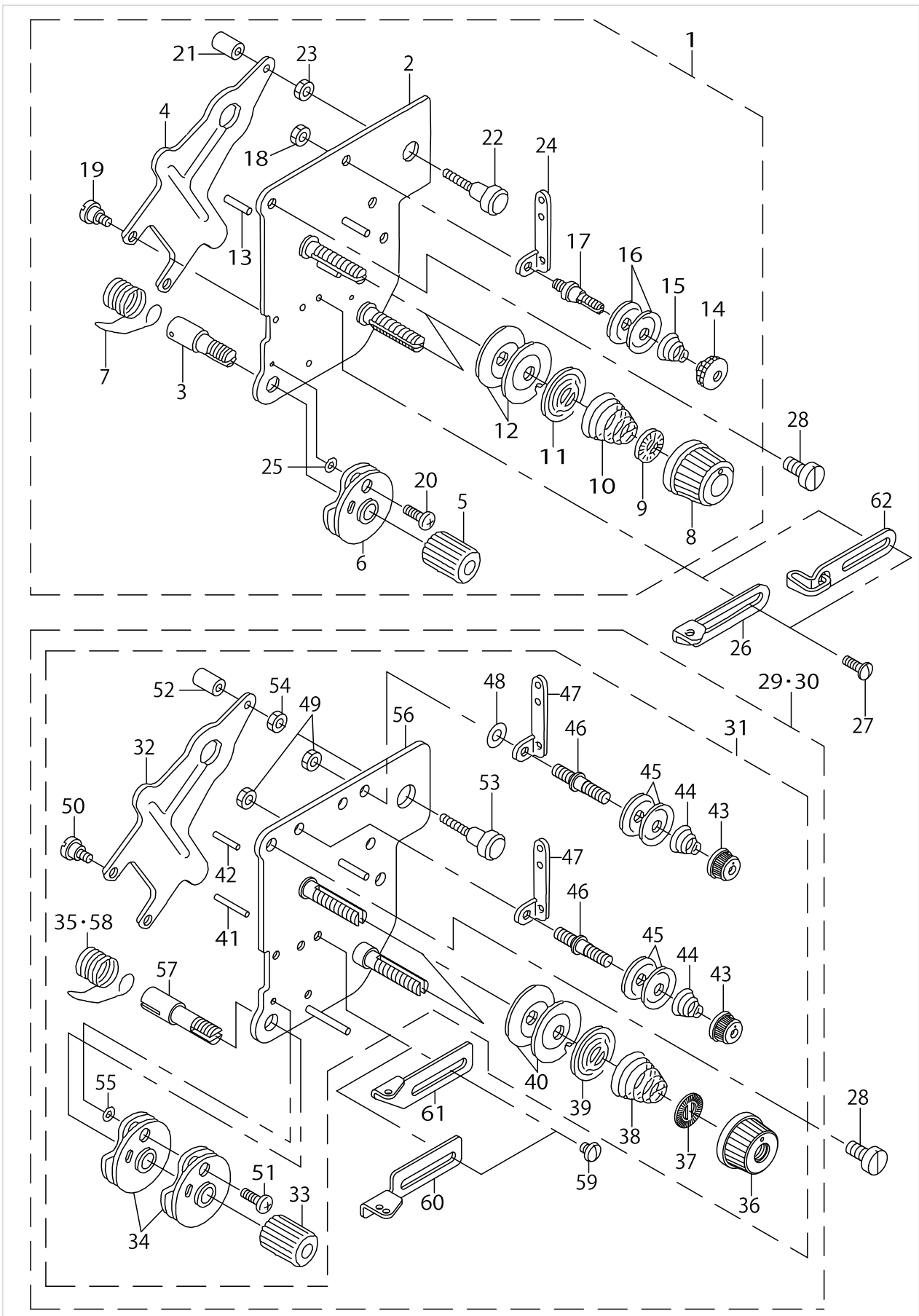
HOOK COMPONENTS



HOOK COMPONENTS

No.	Parts No.	Parts name	Remarks	Level	Cons	Qty
1	10761252	HOOK ASM.	FOR LU-2210N-*			1
2	10761252	HOOK ASM.	FOR LU-2260N-*			2
3	10752467	OUTER HOOK ASM.		*		1
4	10752202	OIL CAP		*		1
5	10752301	OIL CAP SETSCREW		*		1
6	10723013	NEEDLE HOLDER		*		1
7	10723203	NEEDLE HOLDER SETSCREW		*		2
8	10728509	FILTER		*		1
9	SM8050602TP	SCREW M5 L=6		*		2
10	10728608	RUBBER RING		*		1
11	10722601	ADJUSTING SCREW		*		1
12	10728707	RUBBER RING		*		1
13	10728400	URETHAN BALL		*		1
14	10752418	OUTER HOOK		*		1
15	10723104	PRESSER SETSCREW		*		3
16	10723500	IDLING PREVENTION SPRING		*		1
17	10761203	INNER HOOK		*		1
18	10722908	TENSION SPRING		*		1
19	10723302	ADJUSTING SCREW		*		1
20	10723401	TENSION SPRING SETSCREW		*		1
21	10722809	INNER HOOK PRESSER		*		1
22	10759603	ALUMINUM BOBBIN (DOUBLE-CUT)	FOR LU-2210N-*			1
23	10759603	ALUMINUM BOBBIN (DOUBLE-CUT)	FOR LU-2260N-*			2
24	10756757	HOOK ASM.(DOUBLE-SIZE)	FOR LU-2210W-*			1
25	10756757	HOOK ASM.(DOUBLE-SIZE)	FOR LU-2260W-*			2
26	10752202	OIL CAP		*		1
27	10752301	OIL CAP SETSCREW		*		1
28	10757003	NEEDLE HOLDER		*		1
29	10723203	NEEDLE HOLDER SETSCREW		*		2
30	10728509	FILTER		*		1
31	SM8050602TP	SCREW M5 L=6		*		2
32	10728608	RUBBER RING		*		1
33	10722601	ADJUSTING SCREW		*		1
34	10728707	RUBBER RING		*		1
35	10728400	URETHAN BALL		*		1
36	10756906	INNER HOOK PRESSER		*		1
37	10723104	PRESSER SETSCREW		*		3
38	10723500	IDLING PREVENTION SPRING		*		1
39	10756807	INNER HOOK		*		1
40	10722908	TENSION SPRING		*		1
41	10723302	ADJUSTING SCREW		*		1
42	10723401	TENSION SPRING SETSCREW		*		1
43	10756708	OUTER HOOK		*		1
44	21334800	ALUMINUM BOBBIN WITH KNURL	FOR LU-2210W-*			1
45	21334800	ALUMINUM BOBBIN WITH KNURL	FOR LU-2260W-*			2
46	40018350	ALUMINUM BOBBIN A	FOR AE-9(LU-221*N-7)			1
47	40018350	ALUMINUM BOBBIN A	FOR AE-9(LU-2260N-7)			2

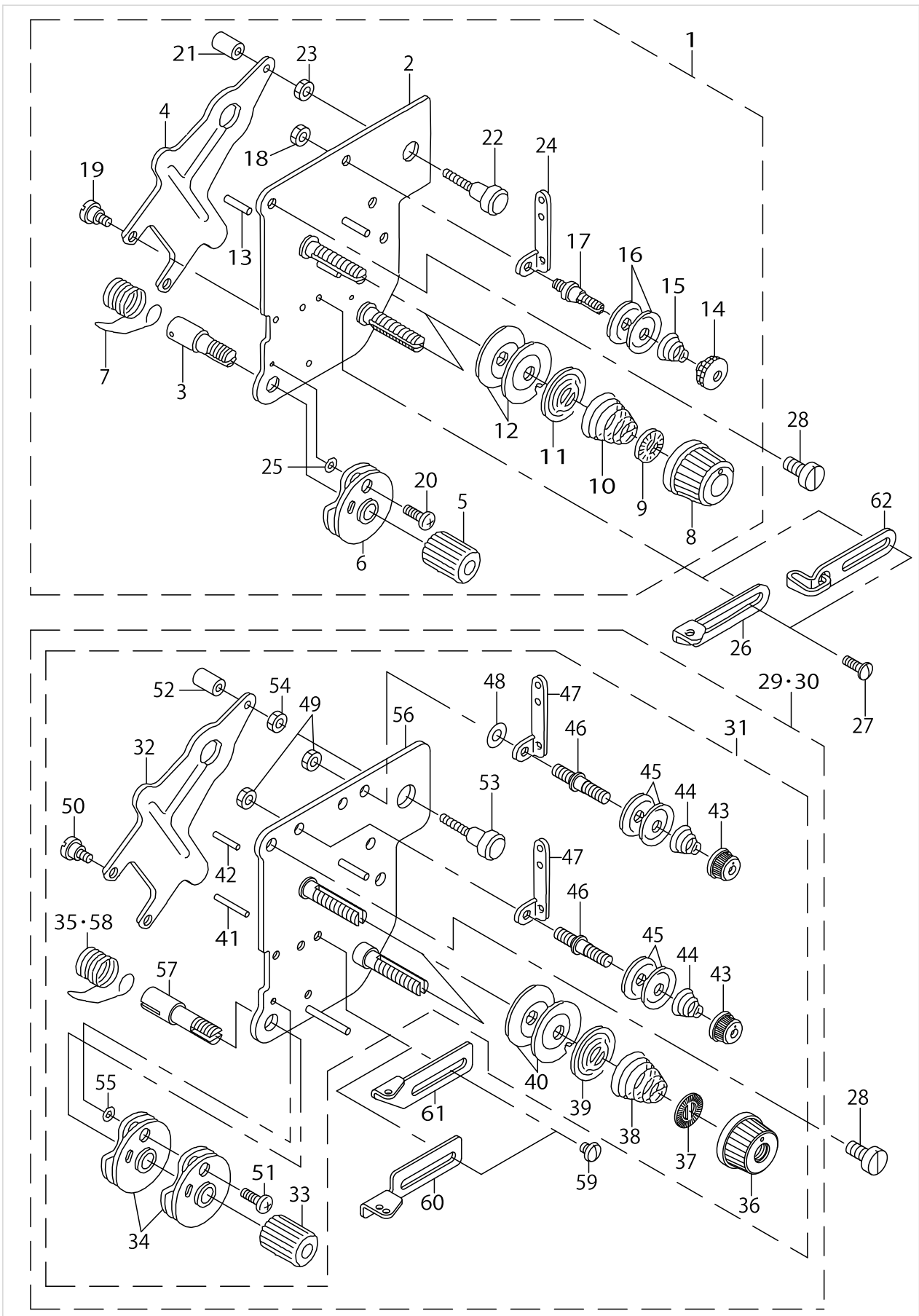
THREAD TENSION COMPONENTS



THREAD TENSION COMPONENTS

No.	Parts No.	Parts name	Remarks	Level	Cons	Qty
1	10702561	THREAD TENSION ASM.	FOR LU-2210*-*			1
2	10702553	THREAD TENSION JUNCTION		*		1
3	10320109	SCREW STUD		*		1
4	10702603	THREAD LOOSENING PLATE		*		1
5	10320208	THRED TENSION STUD NUT		*		1
6	10741452	THREAD TAKE-UP GUIDE ASM.		*		1
7	10702405	THREAD TAKE-UP SPRING		*		1
8	10744704	THREAD TENSION NUT		*		2
9	10744803	ROTATION AND STOP		*		2
10	B3129012A00	TENSION SPRING		*		2
11	10744902	THREAD TENSION PLATE SUPPERSSI		*		2
12	40113091	THREAD TENSION DISK		*		4
13	10741601	THREAD LOOSEN PIN		*		2
14	B3216047000	BOBBIN WINDER TENSION NUT		*		1
15	D3168555H0B	TENSION SPRING NO.1		*		1
16	10741106	FIRST THREAD TENSION PLATE		*		2
17	10703304	FIRST THREAD TENSION BAR		*		1
18	NS6110310SP	NUT 11/64-40		*		1
19	SD0470281SP	HINGE SCREW D=4.7 H=2.8		*		2
20	10741502	STOP SCREW		*		1
21	10702702	THREAD LOOSENING PIN		*		1
22	10702801	THREAD LOOSENING SCREW		*		1
23	NM6040003SC	NUT M4		*		1
24	10703205	FIRST THREAD TENSION GUIDE		*		1
25	WP0320501SC	WASHER M3		*		1
26	10703106	BALANCE THREAD GUIDE	FOR LU-2210N-*			1
27	SS5090420SP	SCREW 9/64-40 L=3.5				2
28	SS6121010SP	SCREW 3/16-28 L=10				2
29	10773364	THREAD TENSION ASM.	FOR LU-2260N-*			1
30	10795151	THREAD TENSION ASM.	FOR LU-2260W-*			1
31	10773554	THREAD TENSION PLATE ASM.		*		1
32	10702603	THREAD LOOSENING PLATE		*		1
33	10320208	THRED TENSION STUD NUT		*		1
34	10741452	THREAD TAKE-UP GUIDE ASM.		*		2
35	B3128526000	THREAD TAKE-UP SPRING		*		1
36	10744704	THREAD TENSION NUT		*		2
37	10744803	ROTATION AND STOP		*		2
38	B3129053000	TENSION SPRING		*		2
39	B3132552000	THREAD TENSION DISK PRESSER		*		2
40	B3126012000	THREAD TENSION DISK		*		4
41	10773703	THREAD LOOSEN PIN RIGHT		*		1
42	10773802	THREAD LOOSEN PIN LEFT		*		1
43	11072402	THREAD TENSION NUT		*		2
44	11045101	THREAD TENSION SPRING		*		2
45	10741106	FIRST THREAD TENSION PLATE		*		4
46	10773406	FIRST THREAD TENSION BAR		*		2
47	10703205	FIRST THREAD TENSION GUIDE		*		2

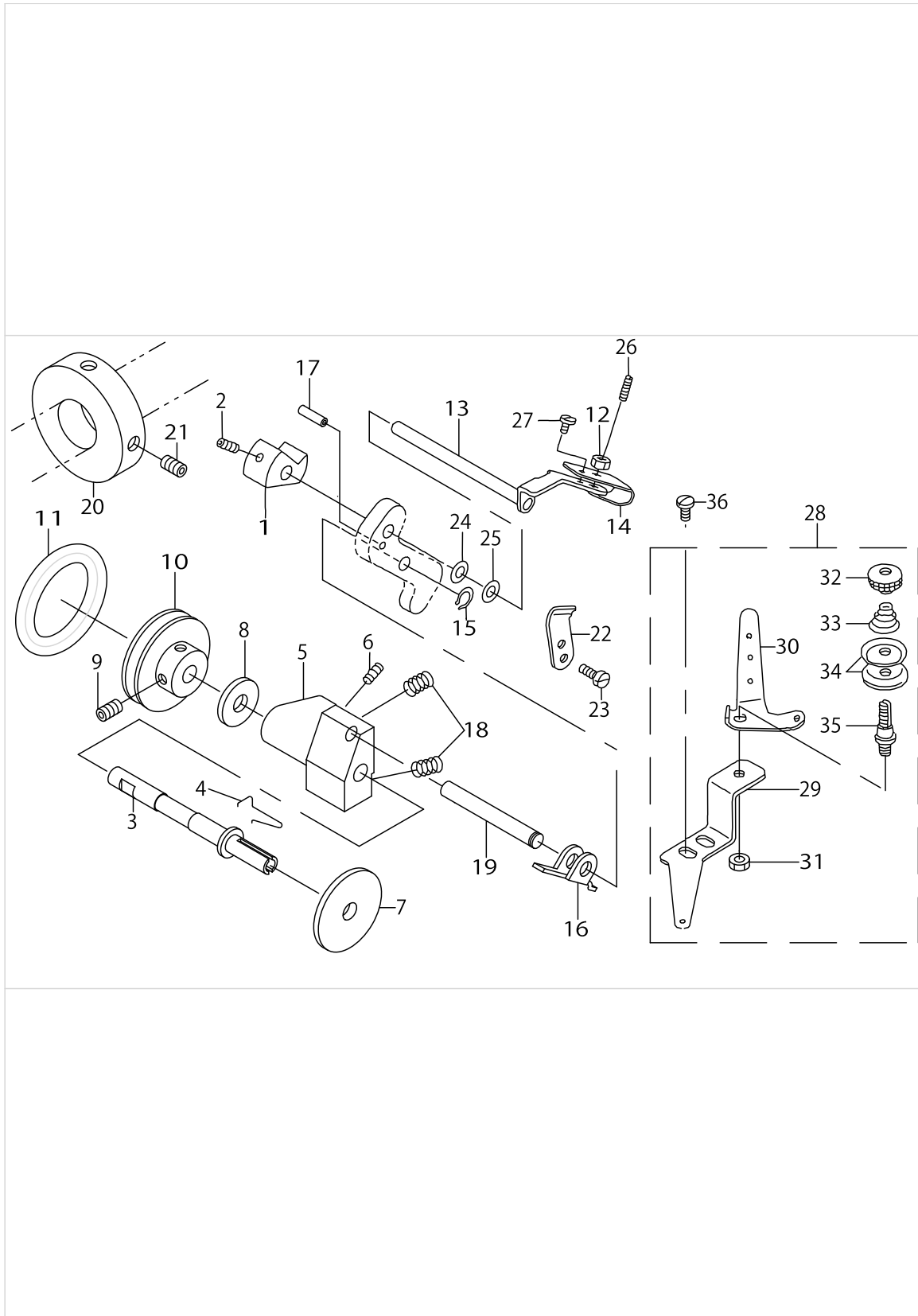
THREAD TENSION COMPONENTS



THREAD TENSION COMPONENTS

No.	Parts No.	Parts name	Remarks	Level	Cons	Qty
48	WP0482086SD	WASHER 4.8X11.5X2		*		1
49	NS6110310SP	NUT 11/64-40		*		2
50	SD0470281SP	HINGE SCREW D=4.7 H=2.8		*		2
51	SS3061310SP	SCREW 3/32-56 L=13		*		1
52	10702702	THREAD LOOSENING PIN		*		1
53	10702801	THREAD LOOSENING SCREW		*		1
54	NM6040003SC	NUT M4		*		1
55	WP0320501SC	WASHER M3		*		1
56	10773356	THREAD TENSION JUNCTION		*		1
57	10773505	SCREW STUD		*		1
58	10775401	THREAD TAKE-UP SPRING A	OPTIONAL PARTS	*		1
59	SS5090420SP	SCREW 9/64-40 L=3.5		*		2
60	10795102	BALANCE THREAD GUIDE	FOR LU-2260W-*	*		1
61	10773109	BALANCE THREAD GUIDE	FOR LU-2260N-*	*		1
62	10756609	THREAD GUIDE	FOR LU-2210W-*			1

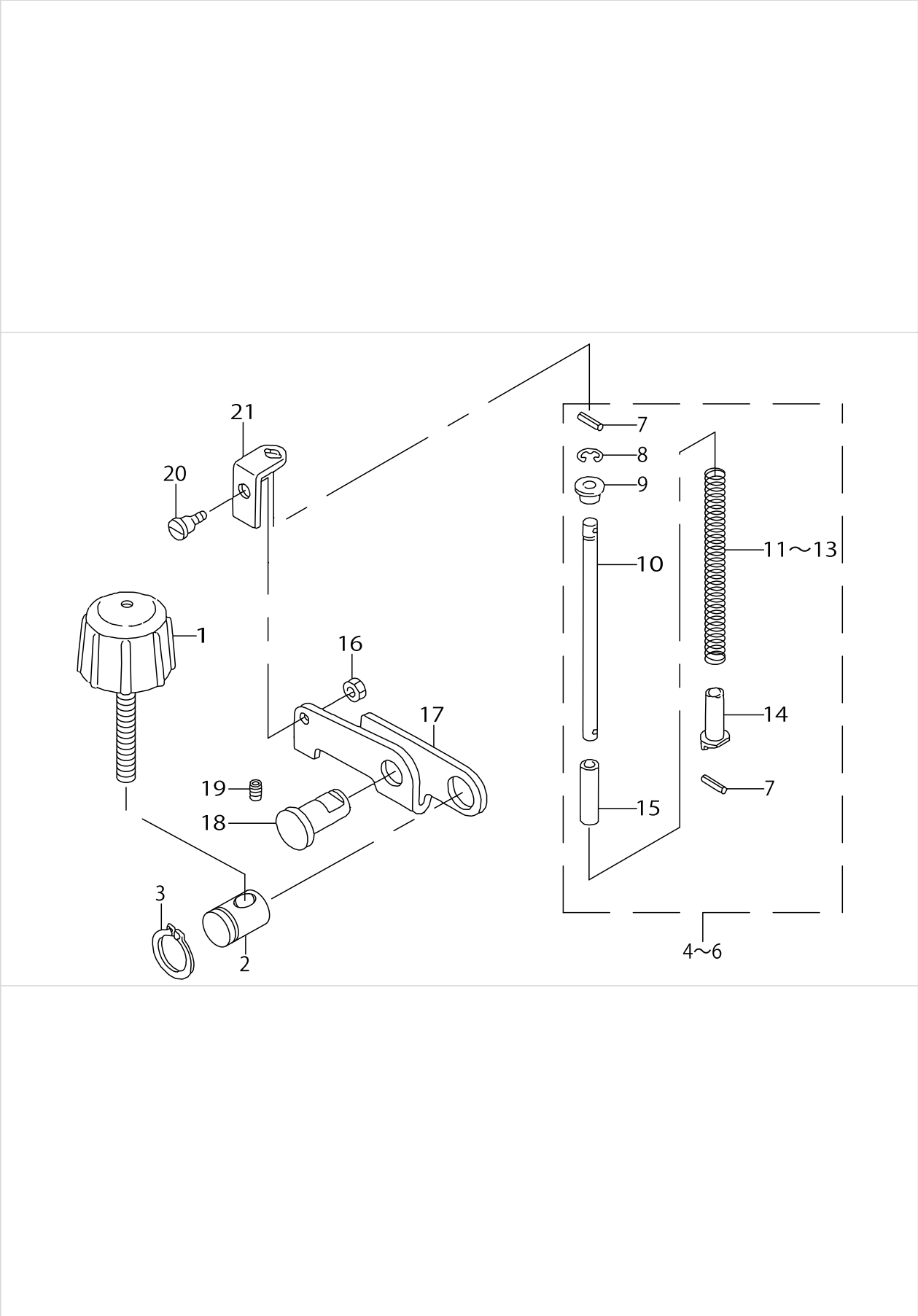
LOWER THREAD WINDER MECHANISM COMPONENTS



LOWER THREAD WINDER MECHANISM COMPONENTS

No.	Parts No.	Parts name	Remarks	Level	Cons	Qty
1	10703502	BOBBIN CUM				1
2	SM8040602TP	SCREW M4X0.7 L=6				1
3	10703601	BOBBIN SHAFT	FOR LU-22*0N-*			1
4	10703700	BOBBIN SPRING	FOR LU-22*0N-*			1
5	10703908	BOBBIN SHAFT BASE				1
6	SM8040602TP	SCREW M4X0.7 L=6				1
7	B3205210000	CUSHION				1
8	WP0651056SH	WASHER 6.5X11X1				1
9	SS7110810SP	SCREW 11/64-40 L=8.0				2
10	B3211210000	BOBBIN WINDER WHEEL				1
11	40011368	FRICITION WHEEL				1
12	NS6110360SP	NUT				1
13	10703452	BOBBIN PRESSER ASM.				1
14	10703809	BOBBIN PRESSER SPRING				1
15	D2430555B00	SNAP RING				1
16	B3207210000	TRIP LATCH				1
17	PS0200102KH	SPRING PIN 2.0X10				1
18	B3208210000	SPRING A				2
19	10704005	BOBBIN SHAFT BASE SHAFT				1
20	10704807	BOBBIN FRICTION WHEEL				1
21	SM8050602TP	SCREW M5 L=6				2
22	10502300	THREAD CUTTER				1
23	SS6090620SP	SCREW 9/64-40 L=6				2
24	WP0531001SC	WASHER				1
25	WP0520656SA	WASHER 5.2X9.5X0.6				1
26	SS8111610SP	SCREW 11/64-40 L=15.5				1
27	SS7110340SP	SCREW 11/64-40 L=3.2				1
28	10704153	BOBBIN THREAD GUIDE PLATE ASM.				1
29	10704104	BOBBIN THREAD GUIDE PLATE		*		1
30	10088003	THREAD GUIDE		*		1
31	NS6110310SP	NUT 11/64-40		*		1
32	B3216047000	BOBBIN WINDER TENSION NUT		*		1
33	D3168555H0B	TENSION SPRING NO.1		*		1
34	40113092	THREAD TENSION DISK		*		2
35	10124204	THREAD TENSION POST A		*		1
36	SS7621040SP	SCREW 3/16-32 L=9.5				2

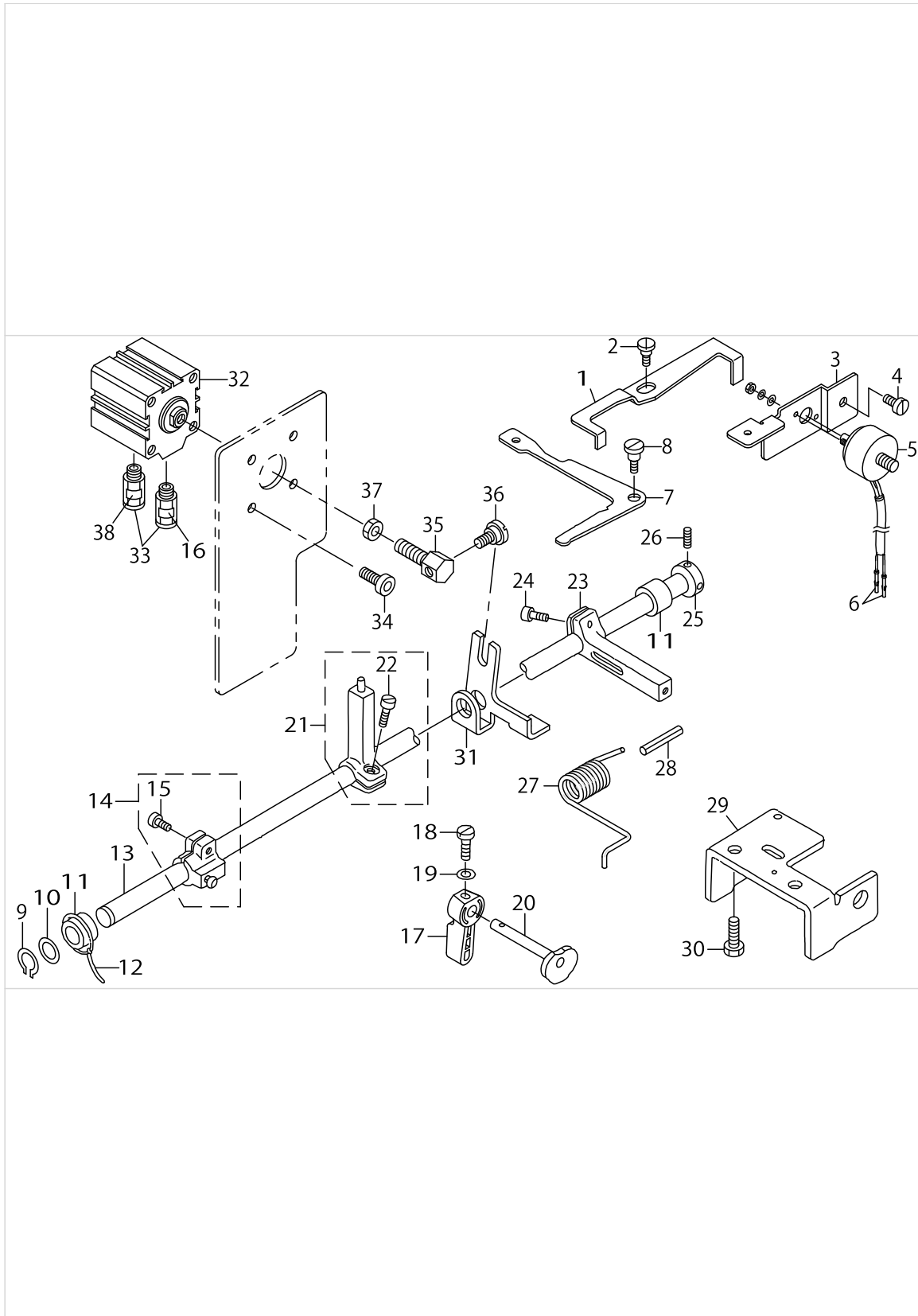
PRESSURE ADJUSTING COMPONENTS



PRESSURE ADJUSTING COMPONENTS

No.	Parts No.	Parts name	Remarks	Level	Cons	Qty
1	10743300	ADJUSTMENT DIAL				1
2	10716009	ADJUSTING HINGE PIN				1
3	RC1200001KP	C-SHAPED SNAP RING				1
4	40073881	ADJUSTMENT SPRING ASM.	STANDARD PARTS FOR LU-2260- *-* OPTIONAL PARTS FOR LU-2210*-*			1
5	40064240	ADJUSTMENT_SPRING_ASM.	STANDARD PARTS FOR LU-2210- *-* OPTIONAL PARTS FOR LU-2260*-*			1
6	10718351	ADJUSTMENT SPRING ASM.	OPTIONAL PARTS			1
7	PS0300082KH	SPRING PIN 3X8		*		2
8	RE0500000K0	E-RING		*		1
9	10715506	SPRING RECEIVING UPPER		*		1
10	40052260	ADJUSTING SPRING SHAFT		*		1
11	10717007	ADJUSTING SPRING	STANDARD PARTS FOR LU-2260- *-* OPTIONAL PARTS FOR LU-2210*-*	*		1
12	10715902	ADJUSTMENT SPRING 1.8	STANDARD PARTS FOR LU-2210- *-* OPTIONAL PARTS FOR LU-2260*-*	*		1
13	10718302	ADJUSTMENT SPRING 1.4	OPTIONAL PARTS	*		1
14	10715605	SPRING RECEIVING LOWER		*		1
15	BP600000000	VINYL PIPE		*		0.1
16	NS6150430SP	NUT 15/64-28				1
17	10716108	ADJUSTING ARM				1
18	10716207	ADJUSTING ARM SHAFT				1
19	SS8120740SP	SCREW 3/16-28 L=7				1
20	SD0700332SP	HINGE SCREW D=7 H=3.5				1
21	10716603	ADJUSTING SPRING SUPPORT				1

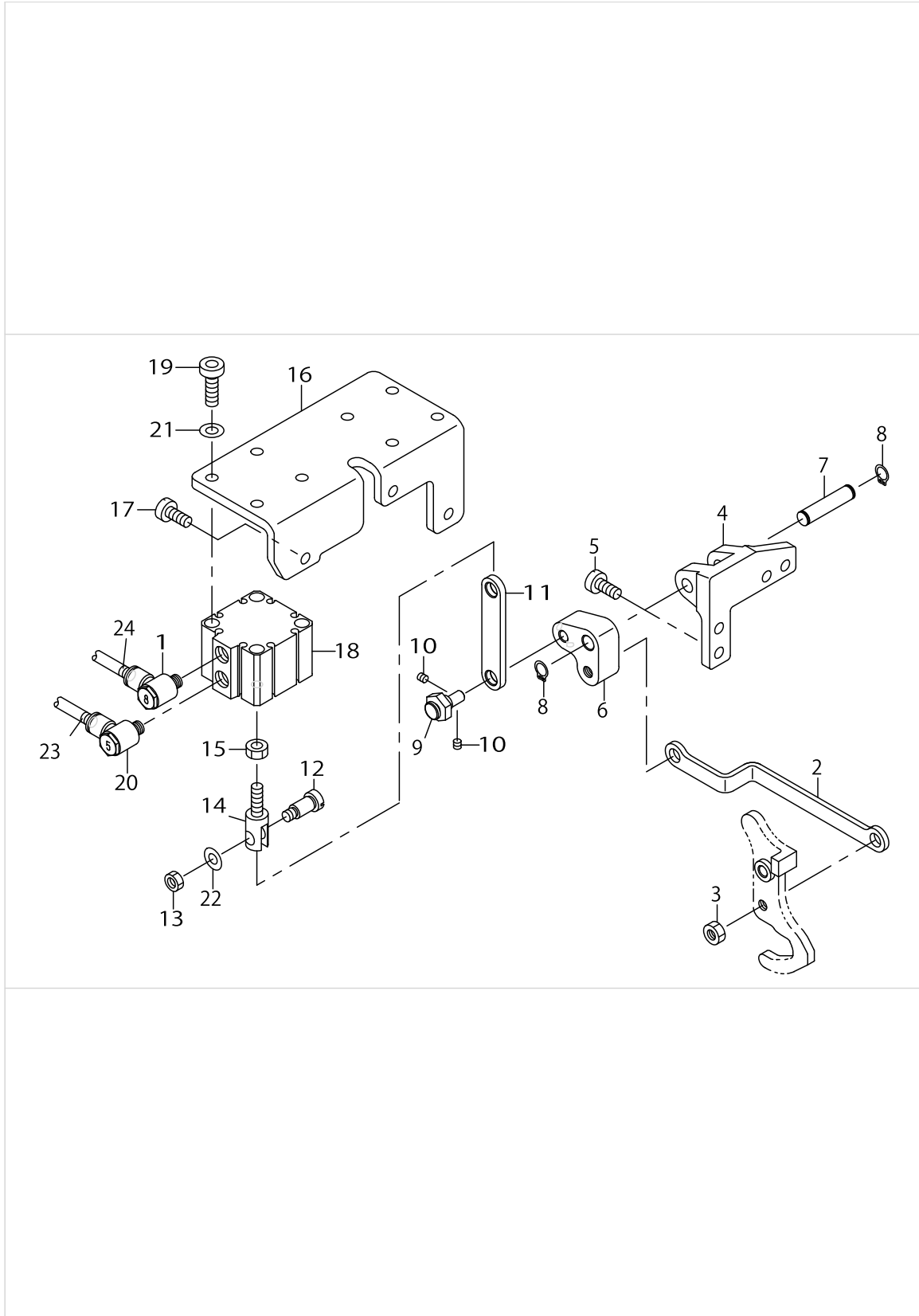
PRESSER LIFTER,AUTOMATIC PRESSER LIFTER & TENSION RELEASE MECHANISM COMPONENTS



PRESSER LIFTER,AUTOMATIC PRESSER LIFTER & TENSION RELEASE MECHANISM COMPONENTS

No.	Parts No.	Parts name	Remarks	Level	Cons	Qty
1	10729010	THREAD LOOSENING ARM				1
2	SD0790203SP	HINGE SCREW D=7.94 H=2				1
3	10729218	SOLENOID FITTING PLATE				1
4	SS6121010SP	SCREW 3/16-28 L=10				2
5	10728905	THREAD LOOSENING SOLENOID				1
6	HK03464000B	PIN CONTACT				2
7	10728806	THREAD LOOSENING LEVER				1
8	SD0901201TP	HINGE SCREW D=9 H=3.2				1
9	RC1200001KP	C-SHAPED SNAP RING				1
10	WP1221016SP	WASHER				1
11	40052264	KNEE LIFT SHAFT FRONT METAL				2
12	CQ200000000	OIL WICK				0.2
13	10730513	KNEE LIFT SHAFT				1
14	10729754	PRESSER LIFT ARM ASM.				1
15	SM6051402TP	SCREW M5X0.8 L=14		*		1
16	HX00295000A	WIRE MARK(2)				1
17	22907802	HAND LIFTER				1
18	SS7090910TP	SCREW 9/64-40 L=8.5				1
19	WP0371016SD	WASHER 3.7X8X1				1
20	10729606	PRESSER LIFT CAM				1
21	10729952	THREAD LOOSENING ARM ASM.				1
22	SM6061210SC	SCREW M6 L=12		*		1
23	10730109	KNEE LIFT ARM A				1
24	SM6061202TP	SCREW M6 L=12				1
25	CS1201011SH	THRUST COLLAR D=12 W=10				1
26	SS8660610TP	SCREW 1/4-40 L=6				2
27	10755502	KNEE LIFTER SPRING				1
28	PS0500302KH	SPRING PIN 5X30				1
29	10730703	KNEE SIDE SHAFT HOLDER				1
30	SM9081050SE	SCREW				2
31	10736908	PRESSER LIFT LEVER				1
32	PA400200200	AIR CYLINDER				1
33	PJ301065104	HALF UNION				2
34	SM6081802TP	SCREW				2
35	40052259	CYLINDER CONNECTION SCREW				1
36	SD0720331SP	HINGE SCREW D=7.24 H=3.3				1
37	NM6080001SE	NUT M8				1
38	HX00295000B	WIRE MARK(3)				1

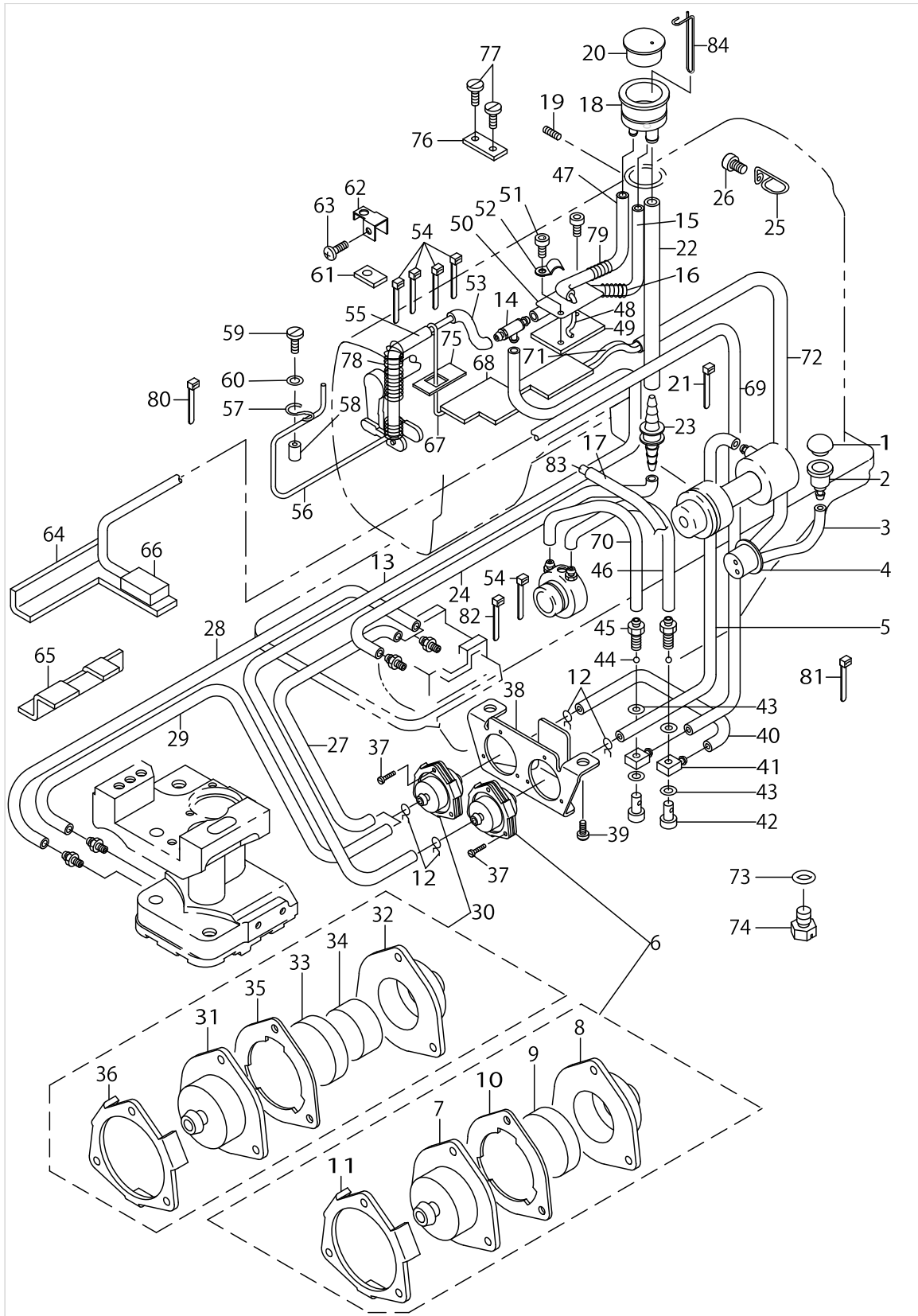
2P DEVICE (FOR LU-2212N-7)



2P DEVICE (FOR LU-2212N-7)

No.	Parts No.	Parts name	Remarks	Level	Cons	Qty
1	PC015118H00	SPEED CONTROLLER WITH FIXED ORIFICE 0.8				1
2	40025561	FEED CONNECTING LINK				1
3	NS6150540SP	NUT 15/64-28				1
4	40031233	TRANSFORM LINK BASE				1
5	SS6151440SP	SCREW 15/64-28 L=14				4
6	40031234	TRANSFORM LINK				1
7	40031235	FULCRUM SHAFT				1
8	RC0740811KP	C-RING				2
9	21337902	ECCENTRIC PIN				1
10	SM8040412TP	SET SCREW M4 L=4				2
11	40052246	CYLINDER CONNECTING LINK				1
12	SD0791271SP	HINGE SCREW D=7.94 H=12.7				1
13	NS6150430SP	NUT 15/64-28				1
14	40052254	CYLINDER KNUCKLE JOINT				1
15	NM6060001SE	NUT M6				1
16	40025559	CYLINDER INSTALLATION BASE				1
17	SS6151440SP	SCREW 15/64-28 L=14				3
18	PA320100400	AIR CYLINDER				1
19	SM6061802TP	SCREW M6 L=18				4
20	PC015118E00	SPEED CONTROLLER WITH FIXED ORIFICE 0.5				1
21	WP0641601SD	WASHER M6				4
22	WP0621016SD	WASHER 6.2X13X1				1
23	HX00295000K	WIRE MARK (B)				1
24	HX00295000L	WIRE MARK (C)				1

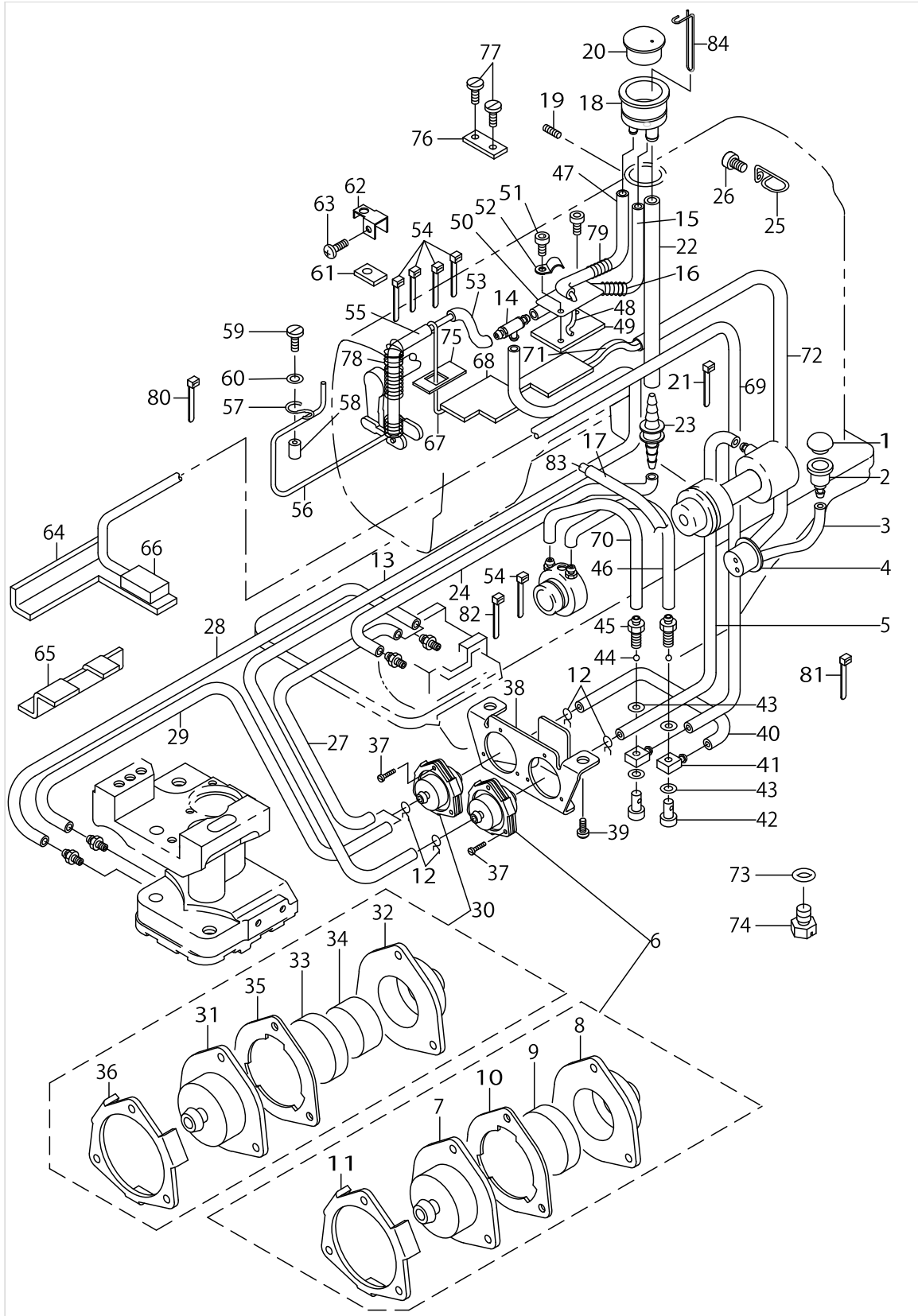
LUBRICATION COMPONENTS



LUBRICATION COMPONENTS

No.	Parts No.	Parts name	Remarks	Level	Cons	Qty
1	TA1450404R0	RUBBER PLUG D=14.5 L=4				1
2	10731404	LUBRICATING HOLE				1
3	BT0600402EA	OIL TUBE				0.2
4	10733004	BED TANK LUBRICATING COVER				1
5	BT0500300E0	OIL TUBE				0.3
6	10727154	FILTER A ASM.				1
7	10727105	FILTER CASE		*		1
8	10727204	FILTER CAP		*		1
9	B8228125000	OIL RESERVOIR MAGNET		*		1
10	10739209	FILTER PACKING		*		1
11	10753002	FILTER PLATE		*		1
12	10126803	OIL TUBE HOLDER				4
13	BT0500300E0	OIL TUBE				0.6
14	B3521245000	RUBBER JOINT				1
15	BT0500300E0	OIL TUBE				0.2
16	B3520245000	SPRING				1
17	BT0800602E0	URETHANE TUBE 6X8 TRANSPARENT				0.14
18	10771509	OIL WINDOW				1
19	SS8150750SP	SCREW 15/64-28 L=7				1
20	10760304	OIL SIGHT WINDOW				1
21	EA9500B0000	CLIP CV-70S				3
22	BT0800602E0	URETHANE TUBE 6X8 TRANSPARENT				0.17
23	10771301	PIPE CONNECTOR B				1
24	BT0600402EA	OIL TUBE				0.45
25	10732709	CORD GUIDE				1
26	SS6121010SP	SCREW 3/16-28 L=10				1
27	BT0500300E0	OIL TUBE				0.15
28	BT0600402EA	OIL TUBE	FOR LU-2260*-*			0.18
29	BT0500300E0	OIL TUBE	FOR LU-2260*-*			0.26
30	10727162	FILTER B ASM.				1
31	10727105	FILTER CASE		*		1
32	10727204	FILTER CAP		*		1
33	B8228125000	OIL RESERVOIR MAGNET		*		1
34	10727303	FILTER		*		1
35	10739209	FILTER PACKING		*		1
36	10753002	FILTER PLATE		*		1
37	SM6021000TP	SCREW				6
38	10755403	FILTER FIXING PLATE				1
39	SM6061210SC	SCREW M6 L=12				2
40	BT0500300E0	OIL TUBE				0.1
41	40082707	CONNECTING SCREW				2
42	B3525357000	CONNECTING SCREW (B)				2
43	B3534012000	GASKET				4
44	21054903	BALL				2
45	10702108	CONNECTING SCREW				2
46	BT0500300E0	OIL TUBE				0.13
47	BT0600402EA	OIL TUBE				0.28

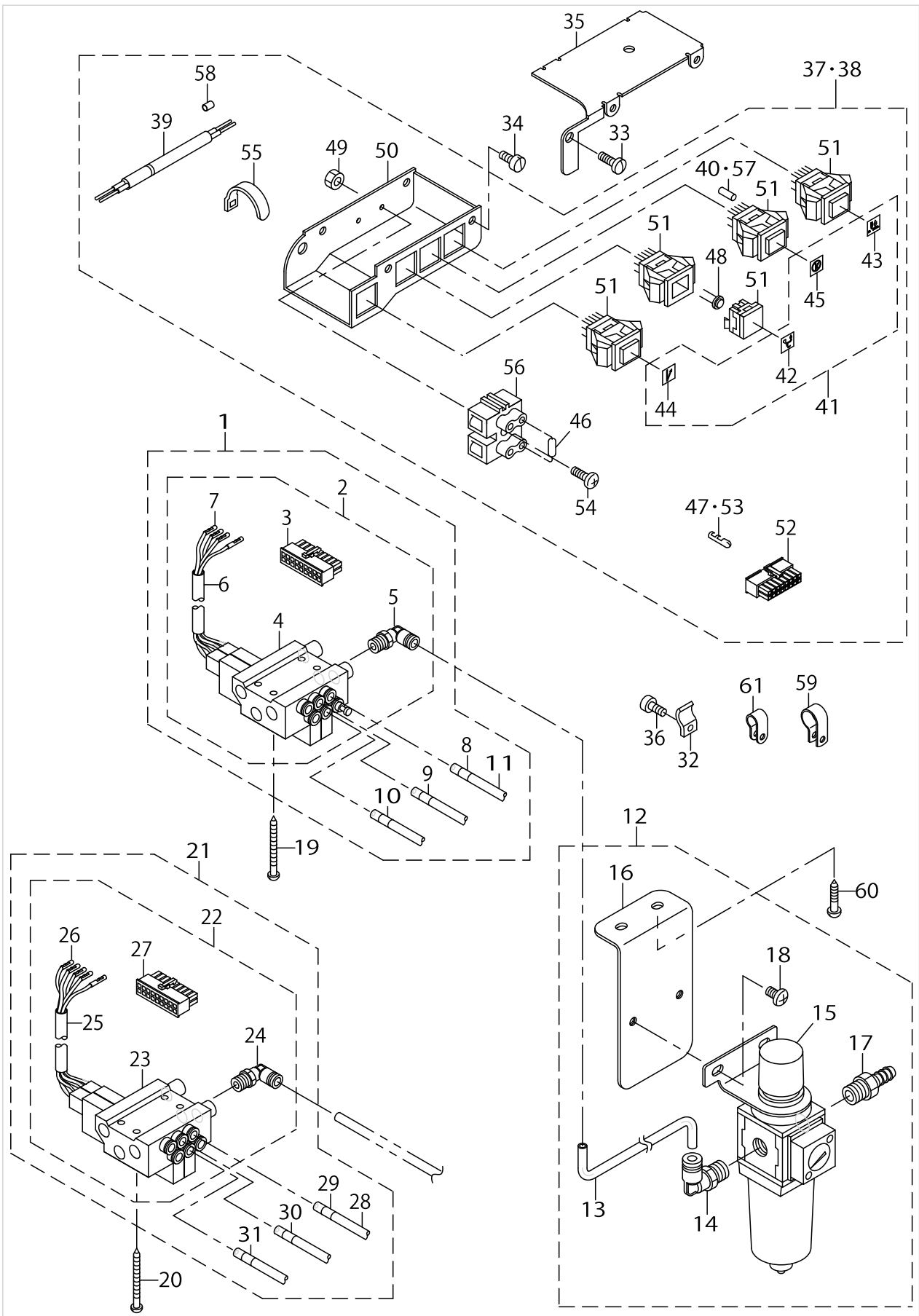
LUBRICATION COMPONENTS



LUBRICATION COMPONENTS

No.	Parts No.	Parts name	Remarks	Level	Cons	Qty
48	CQ252000000	OIL WICK				0.55
49	10732402	VERTICAL LUBRICATING FELT				1
50	10732600	LUBRICATING FELT PRESSER B				1
51	SM6050802TP	SCREW M5X0.8 L=8				1
52	D2611555B00A	CABLE HOLDER				1
53	BT0600402EA	OIL TUBE				0.04
54	EA9500B0100	CABLE BAND				11
55	BT0400251EA	TUBE HOSE BLUE				0.16
56	CQ202000000	OIL WICK				0.4
57	B1648122000	SUSPENSION HOOK (B)				1
58	10734606	FELT PRESSER SPACER				1
59	SS6081210SP	SCREW 1/8-44 L=12				1
60	WP0320501SC	WASHER M3				1
61	10733608	SWING STAND FELT UPPER				1
62	10733707	SWING STAND FELT SUPPORT UPPER				1
63	SM4040601SC	SCREW M4X0.7 L=6				1
64	10734119	RETURN CURRENT FELT				1
65	10702207	FELT				1
66	10527901	FELT				1
67	CQ202000000	OIL WICK				0.25
68	10734309	FELT				1
69	BT0500300E0	OIL TUBE				0.68
70	BT0500300E0	OIL TUBE				0.13
71	10773000	FELT				1
72	BT0800602E0	URETHANE TUBE 6X8 TRANSPARENT				0.4
73	RO068190100	RUBBER RING				1
74	40079568	DRAIN_COCK				1
75	10747111	LUBRICATING FELT				1
76	10734507	PIPE HOLDER	NO USE FOR DL DEVICE ADDED			1
77	SM6040800SP	SCREW	NO USE FOR DL DEVICE ADDED			2
78	10746907	SPRING				1
79	10123701	PRESSER SPRING				1
80	EA9500B0000	CLIP CV-70S				1
81	EA9500B0200	CABLE BAND 150				2
82	EA9500B0100	CABLE BAND	FOR LU-2260*-*			1
83	SQ1680701MZ	CONNECTING SCREW				1
84	10760502	LUBRICATION GUIDE BAR				1

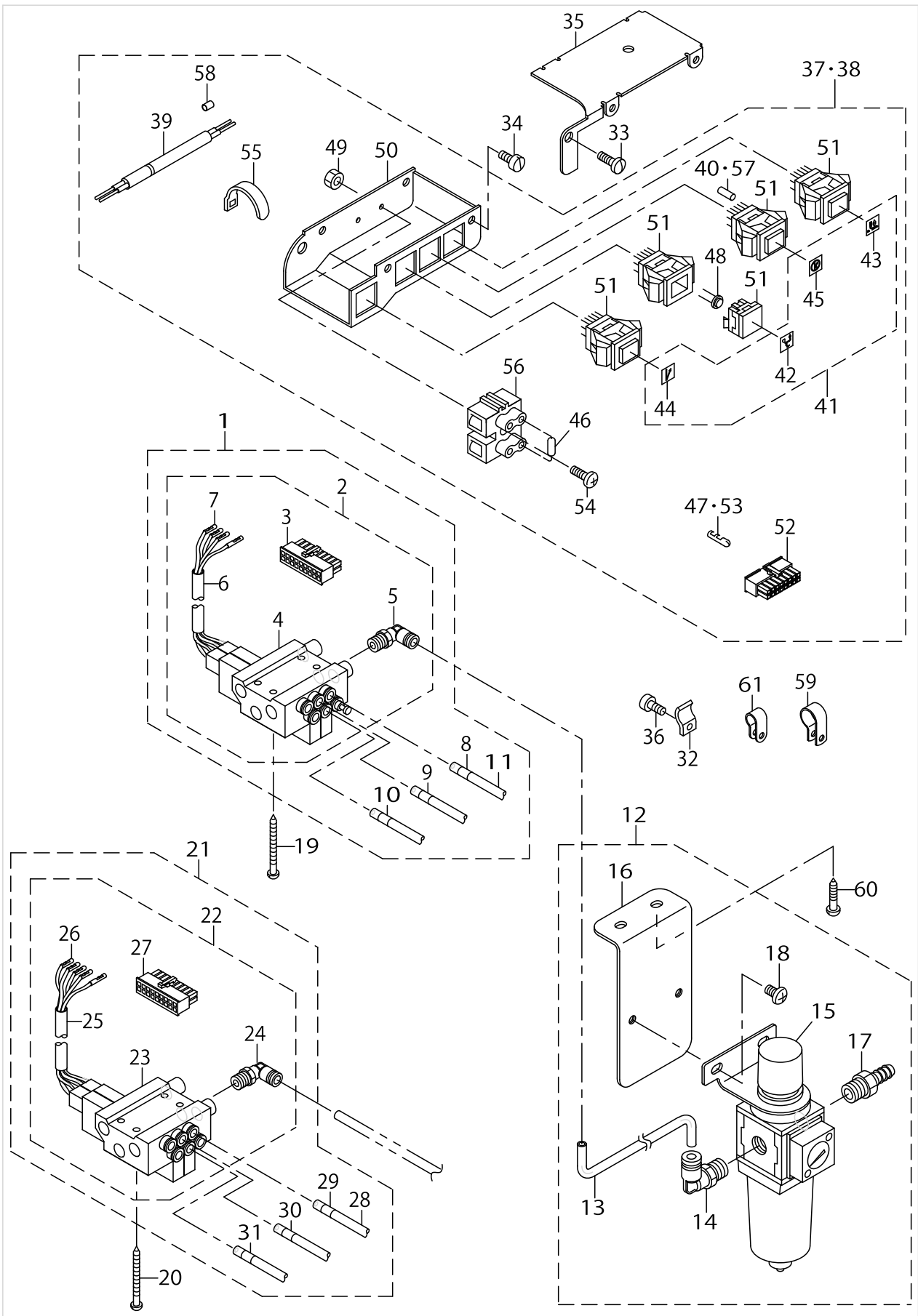
CONTROL DEVICE COMPONENTS



CONTROL DEVICE COMPONENTS

No.	Parts No.	Parts name	Remarks	Level	Cons	Qty
1	40102065	AIR APPARATUS B ASM.	WITH NO DL FUNCTION			1
2	40102063	ELECTROMAGNETIC VALVE B ASM.		*		1
3	HK034610180	CONNECTOR		*		1
4	GAKA2302B00	SOLENOID B		*		1
5	GAK29010000	ELBOW B		*		1
6	GAKA1503000	INSULATION TUBE		*		1
7	HK03464000A	TERMINAL FEMALE		*		4
8	HX002950000	WIRE MARK(1)		*		4
9	HX00295000A	WIRE MARK(2)		*		4
10	HX00295000B	WIRE MARK(3)		*		4
11	BT0600401EB	TUBE		*		3.9
12	40038722	FILTER REGULATAR ASM.				1
13	BT0600401EB	TUBE		*		1
14	GAK29009000	ELBOW		*		1
15	PF0552170A0	FILTER REGULATOR		*		1
16	40038723	FILTER REGULATOR MOUNTING PLATE		*		1
17	40107618	NIPPLE		*		1
18	SM4061001SB	SCREW M6 L=10		*		2
19	SK3385001SE	WOOD SCREW D=3.8 L=50				4
20	SK3385001SE	WOOD SCREW D=3.8 L=50				4
21	40103167	AIR APPARATUS (A) ASM.	WITHDL FUNCTION			1
22	40102064	ELECTROMAGNETIC VALVE C ASM.		*		1
23	GAKA2302C00	ELECTROMAGNETIC VALVE C		*		1
24	GAK29010000	ELBOW B		*		1
25	GAKA1503000	INSULATION TUBE		*		1
26	HK03464000A	TERMINAL FEMALE		*		5
27	HK034610180	CONNECTOR		*		1
28	BT0600401EB	TUBE		*		3
29	HX002950000	WIRE MARK(1)		*		4
30	HX00295000A	WIRE MARK(2)		*		4
31	HX00295000B	WIRE MARK(3)		*		4
32	D2611555B00A	CABLE HOLDER				1
33	SS7120710SP	SCREW 3/16-28 L=7				2
34	SS6110610TP	SCREW 11/64-40 L=6				4
35	10740710	TOUCH BACK SWITCH COVER				1
36	SS6121010SP	SCREW 3/16-28 L=10				2
37	40103913	TOUCH BACK SWITCH ASM. E	WITHDL FUNCTION			1
38	40103914	TOUCH BACK SWITCH ASM. F	WITH NO DL FUNCTION			1
39	HW000840080	4-CORE CABTYRE CORD		*		1.26
40	E8760452D00	TUBE 0.015M	WITH NO DL FUNCTION	*		0.1
41	40026740	BUTTON SHEET ASM. A		*		1
42	40026734	BUTTON SHEET B	WITHDL FUNCTION	*		1
43	40026736	BUTTON SHEET E		*		1
44	40026733	BUTTON SHEET A		*		1
45	40026735	BUTTON SHEET C		*		1
46	HR029101520	RESISTOR 1.5K	WITHDL FUNCTION	*		1
47	HK03464000A	TERMINAL FEMALE	WITH NO DL FUNCTION	*		4

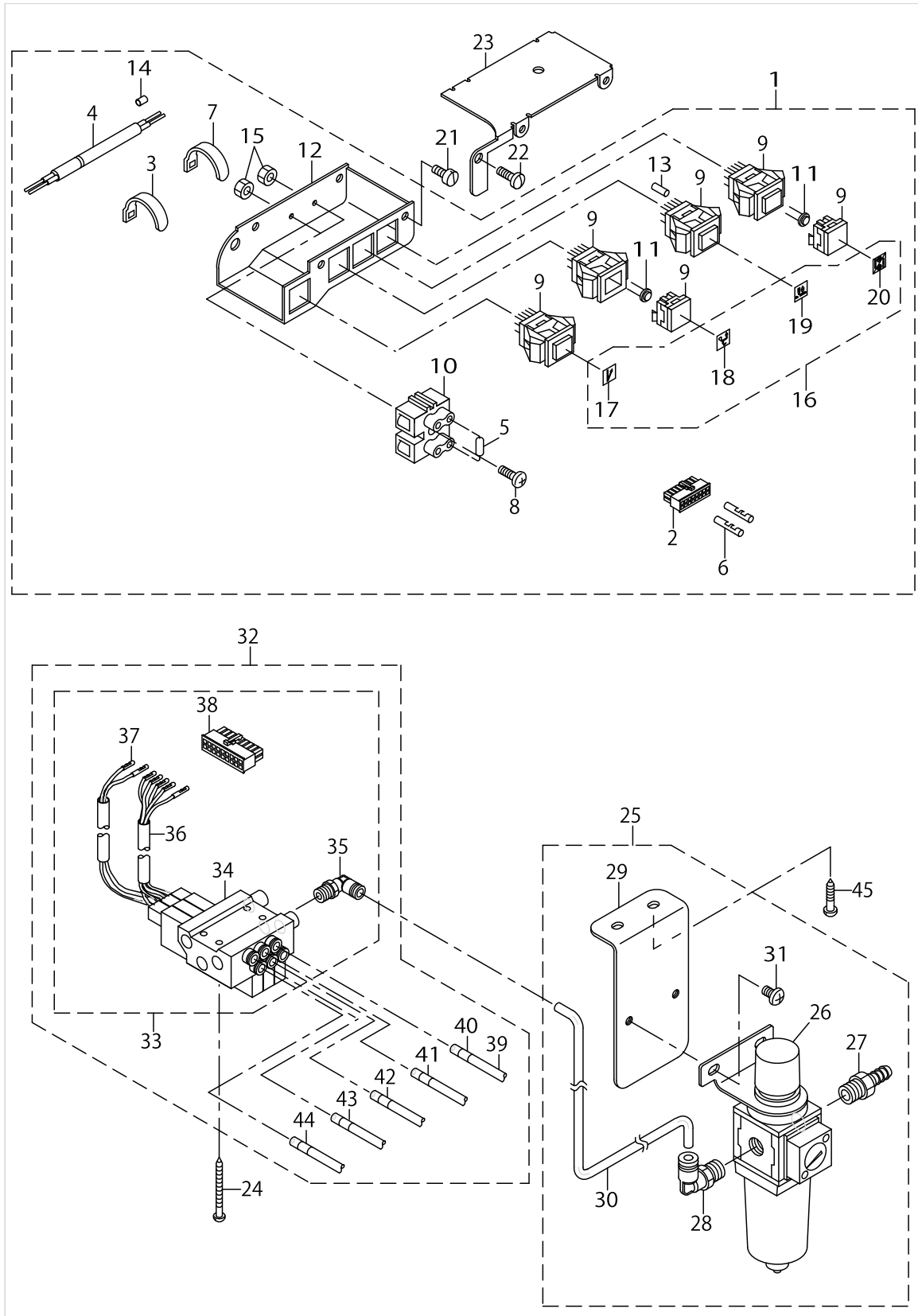
CONTROL DEVICE COMPONENTS



CONTROL DEVICE COMPONENTS

No.	Parts No.	Parts name	Remarks	Level	Cons	Qty
48	10740801	LED CORD	WITHDLFUNCTION	*		1
49	NM6860003SC	NUT M2.6	WITHDLFUNCTION	*		1
50	10740611	TOUCH BACK SWITCH BASE		*		1
51	10748507	TOUCH BACK SWITCH		*		4
52	HK034610160	16-POLE RECEPTACLE		*		1
53	HK03464000A	TERMINAL FEMALE	WITHDLFUNCTION	*		7
54	SM4861201SC	SCREW M2.6 L=12	WITHDLFUNCTION	*		1
55	EA9500B0100	CABLE BAND		*		1
56	10741908	2-P TERMINAL BASE	WITHDLFUNCTION	*		1
57	E8760452D00	TUBE 0.015M	WITHDLFUNCTION	*		0.15
58	E8760452K00	TUBE (220/240V)		*		0.02
59	HX00150000F	CABLE CLIP				1
60	SK3482501SE	WOOD SCREW D=4.8 L=25				2
61	HX00123000A	CABLE CLIP				1

CONTROL DEVICE COMPONENTS (FOR LU-2212N-7)



CONTROL DEVICE COMPONENTS (FOR LU-2212N-7)

No.	Parts No.	Parts name	Remarks	Level	Cons	Qty
1	40103916	TOUCH BACK SWITCH ASM. G				1
2	HK034610160	16-POLE RECEPTACLE		*		1
3	EA9500B0000	CLIP CV-70S		*		1
4	HW000840080	4-CORE CABTYRE CORD		*		1.5
5	HR029101520	RESISTOR 1.5K		*		2
6	HK03464000A	TERMINAL FEMALE		*		7
7	EA9500B0100	CABLE BAND		*		1
8	SM4861201SC	SCREW M2.6 L=12		*		2
9	10748507	TOUCH BACK SWITCH		*		4
10	10741908	2-P TERMINAL BASE		*		2
11	10740801	LED CORD		*		2
12	10740611	TOUCH BACK SWITCH BASE		*		1
13	E8760452D00	TUBE 0.015M		*		0.2
14	E8760452K00	TUBE (220/240V)		*		0.02
15	NM6860003SC	NUT M2.6		*		2
16	40026741	BUTTON SHEET ASM. B		*		1
17	40026733	BUTTON SHEET A		*		1
18	40026734	BUTTON SHEET B		*		1
19	40026736	BUTTON SHEET E		*		1
20	40026737	BUTTON SHEET F		*		1
21	SS6110610TP	SCREW 11/64-40 L=6				4
22	SS7120710SP	SCREW 3/16-28 L=7				2
23	10740710	TOUCH BACK SWITCH COVER				1
24	SK3385001SE	WOOD SCREW D=3.8 L=50				4
25	40038722	FILTER REGULATAR ASM.				1
26	PF0552170A0	FILTER REGULATOR		*		1
27	40107618	NIPPLE		*		1
28	GAK29009000	ELBOW		*		1
29	40038723	FILTER REGULATOR MOUNTING PLATE		*		1
30	BT0600401EB	TUBE		*		1
31	SM4061001SB	SCREW M6 L=10		*		2
32	40103168	AIR APPARATUS (L) ASM.				1
33	40103169	ELECTROMAGNETIC VALVE (L) ASM.		*		1
34	40025964	ELECTROMAGNETIC VALVE (L)		*		1
35	GAK29010000	ELBOW B		*		1
36	GAKA1503000	INSULATION TUBE		*		2
37	HK03464000A	TERMINAL FEMALE		*		7
38	HK034610180	CONNECTOR		*		1
39	BT0600401EB	TUBE		*		5
40	HX002950000	WIRE MARK(1)		*		4
41	HX00295000A	WIRE MARK(2)		*		4
42	HX00295000B	WIRE MARK(3)		*		4
43	HX00295000K	WIRE MARK(B)		*		4
44	HX00295000L	WIRE MARK(C)		*		4
45	SK3482501SE	WOOD SCREW D=4.8 L=25				2

TABLE & BELT COVER COMPONENTS

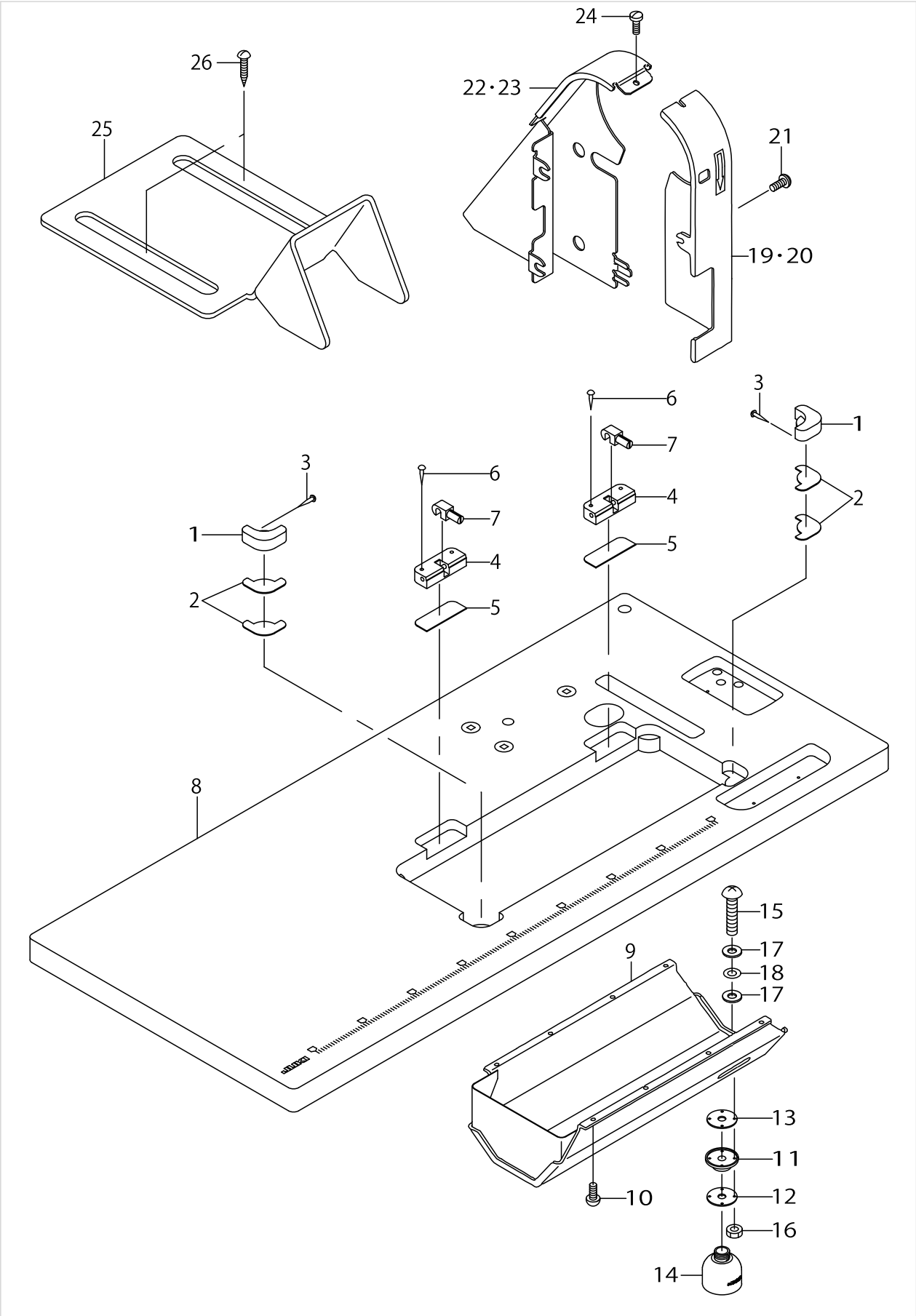
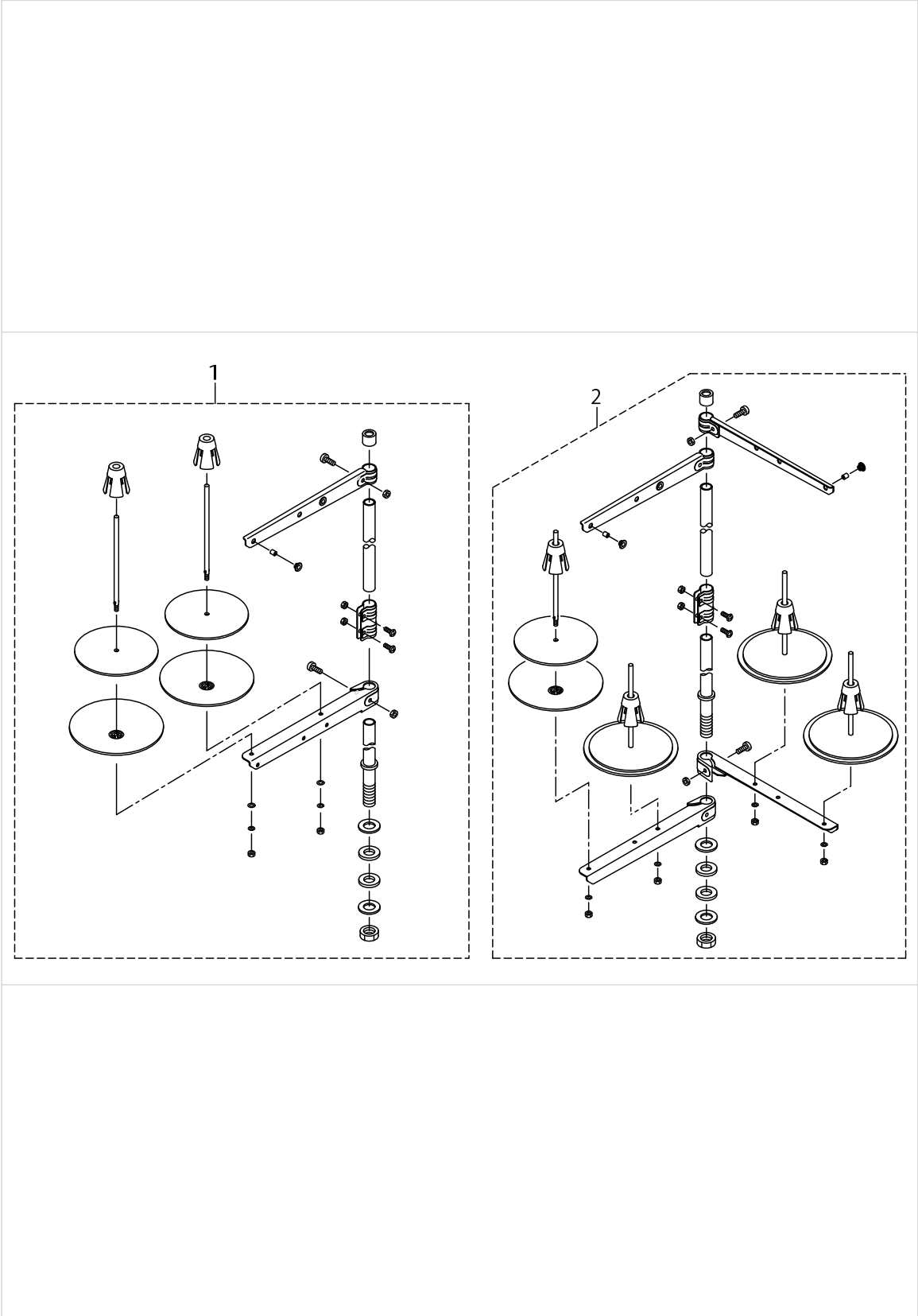


TABLE & BELT COVER COMPONENTS

No.	Parts No.	Parts name	Remarks	Level	Cons	Qty
1	10742302	HEAD SUPPORT RUBBER				2
2	10740900	RUBBER				4
3	10539906	SET NAIL				4
4	10734853	HINGE ASM.				2
5	10742005	SPACER				2
6	10539906	SET NAIL				4
7	B8213012000	BED HINGE CONNECTION				2
8	10735306	TABLE				1
9	10772952	OIL RESERVOIR ASM.				1
10	SK3241601SC	WOOD SCREW D=2.4 L=16				8
11	40025299	OIL POT JOINT				1
12	21379003	OIL MANAGEMENT WASHER				1
13	B8112220000	OIL SEAL				1
14	40025300	OIL POT				1
15	SM3031401SE	SCREW M3X0.5 L=14				4
16	NM6030001SC	NUT M3				4
17	10748101	OIL REMOVING SETSCREW PACKING				8
18	WP0320501SC	WASHER M3				4
19	10743656	BELT COVER LEFT				1
20	10755155	BELT COVER LEFT(JE)	FOR JE			1
21	SS5150510SP	SCREW 15/64-28 L=5				3
22	40059694	BELT COVER RIGHT				1
23	40059695	BELT COVER RIGHT (JE)	FOR JE			1
24	SS7110510SP	SCREW 11/64-40 L=5				1
25	10755205	BELT COVER C(JE)	FOR JE			1
26	SK3482500SC	WOOD SCREW D=4.8 L=25	FOR JE			2

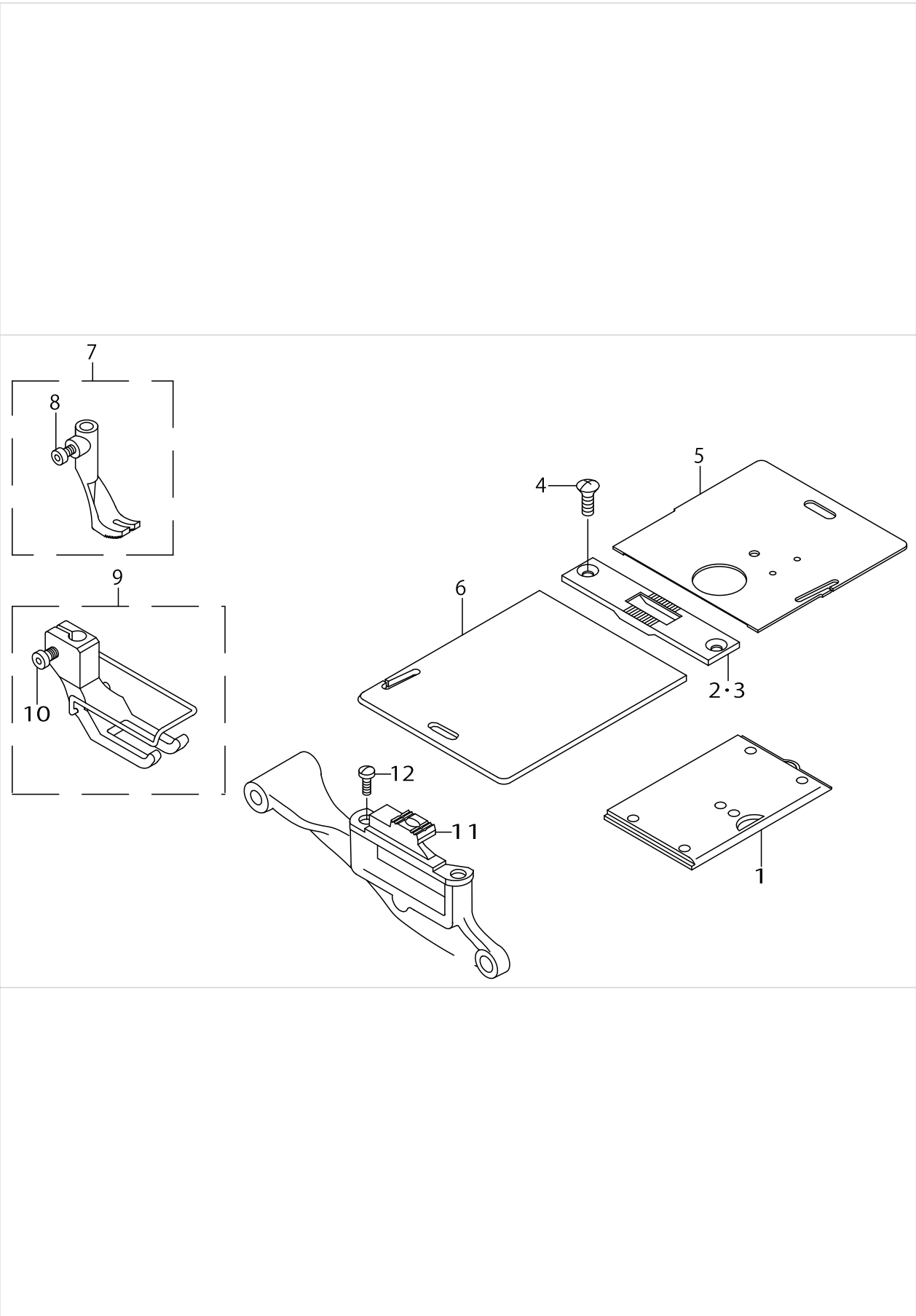
THREAD STAND COMPONENTS



THREAD STAND COMPONENTS

No.	Parts No.	Parts name	Remarks	Level	Cons	Qty
1	40096354	THREAD STAND ASM.				1
2	26910158	THREAD STANDING DEVICE ASM.	FOR LU-2260*-*			1

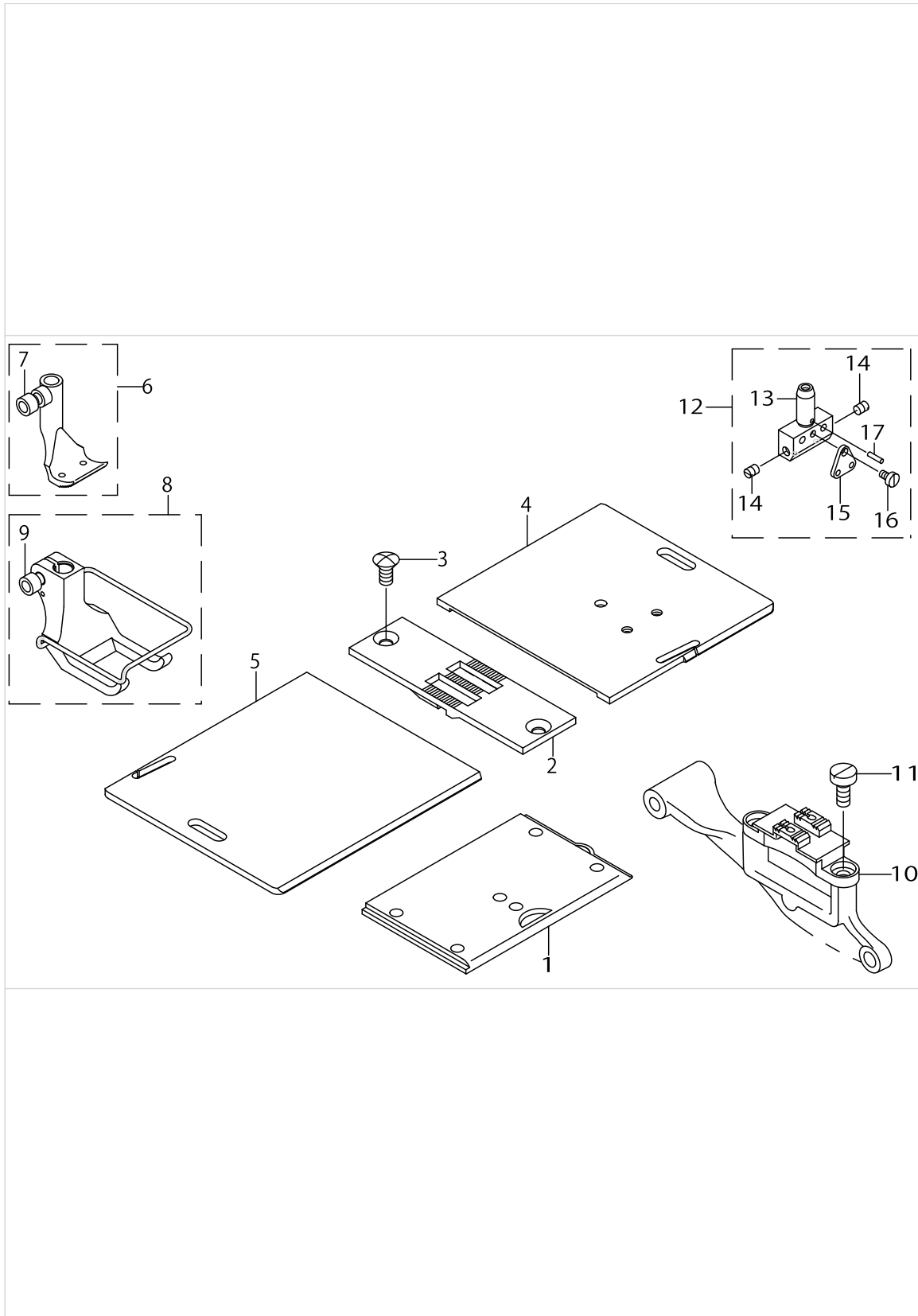
GAUGE COMPONENTS(LU-2210 STANDARD PARTS)



GAUGE COMPONENTS(LU-2210 STANDARD PARTS)

No.	Parts No.	Parts name	Remarks	Level	Cons	Qty
1	10701654	SLIDE PLATE ASM.				1
2	10701704	THROAT PLATE				1
3	10702009	THROAT PLATE	OPTIONAL PARTS			1
4	SS2110915SP	SCREW 11/64-40 L=8.5				2
5	10753150	SLIDER PLATE ASM. RIGHT				1
6	10701902	SLIDE PLATE LEFT				1
7	10711653	FEED FOOT ASM.				1
8	SM6040552TP	SCREW M4 L=4.5		*		1
9	10712552	PRESSER FOOT ASM.				1
10	SM6040802TP	SCREW M4X0.7 L=8		*		1
11	10717106	FEED DOG				1
12	SS6111010SP	SCREW 11/64-40 L=9.5				2

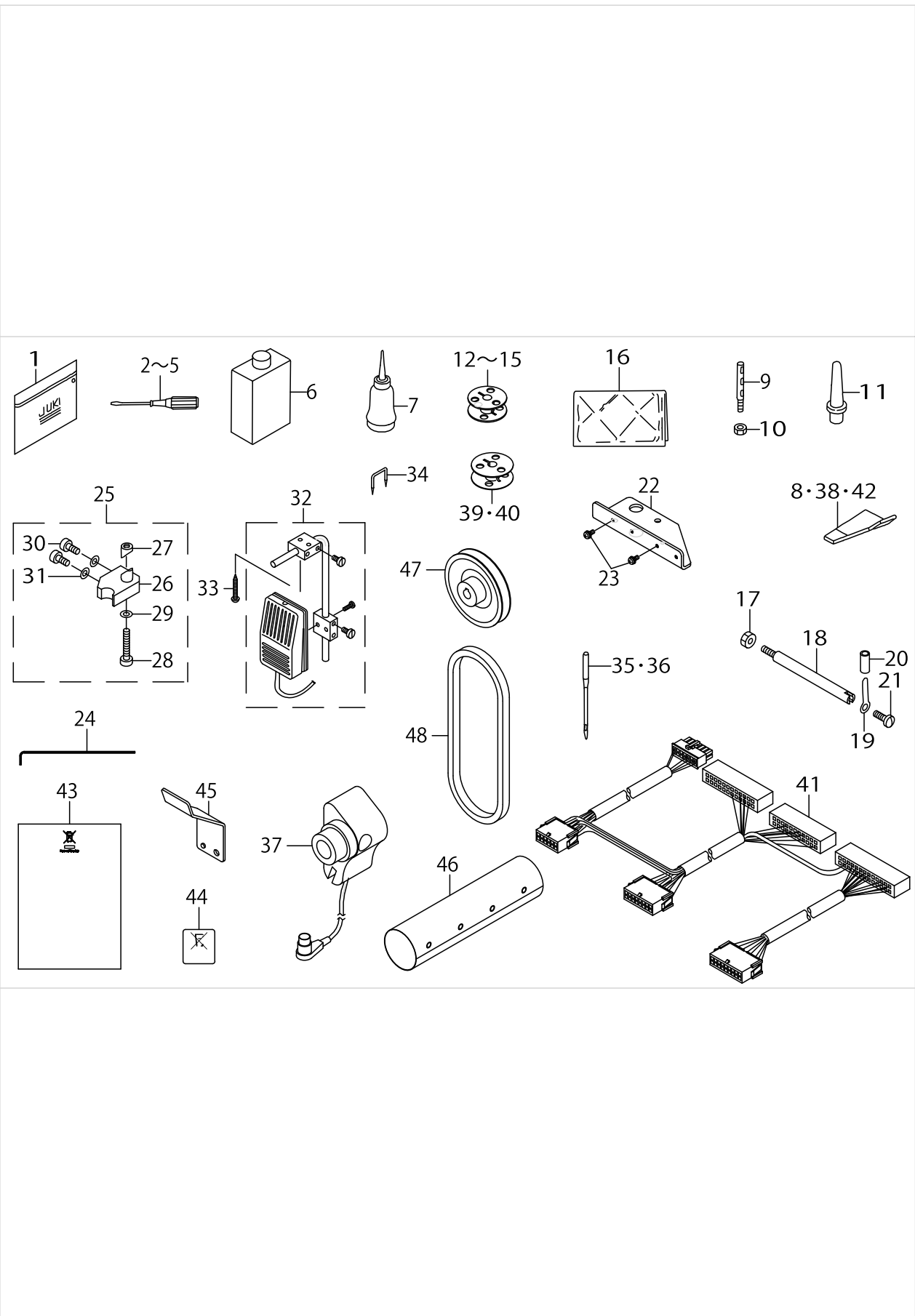
GAUGE COMPONENTS(LU-2260 STANDARD PARTS)



GAUGE COMPONENTS(LU-2260 STANDARD PARTS)

No.	Parts No.	Parts name	Remarks	Level	Cons	Qty
1	10701654	SLIDE PLATE ASM.				1
2	10784809	THROAT PLATE(10MM)				1
3	SS2110915SP	SCREW 11/64-40 L=8.5				2
4	10786002	SLIDE PLATE RIGHT 10-18MM				1
5	10786408	SLIDE PLATE LEFT 10-18MM				1
6	10783355	FEED FOOT ASM. 10MM				1
7	SM6040552TP	SCREW M4 L=4.5		*		1
8	10781854	PRESSER FOOT ASM.				1
9	SM6040802TP	SCREW M4X0.7 L=8		*		1
10	10780302	FEED DOG				1
11	SS6111010SP	SCREW 11/64-40 L= 9.5				2
12	10777852	NEEDLE CLAMP ASM.10MM				1
13	10777803	NEEDLE CLAMP 10MM		*		1
14	SS8080410TP	SCREW 1/8-44 L=3.5		*		2
15	10779007	NEEDLE BAR THREAD GUIDE 4-8MM		*		1
16	SS6060440TP	SCREW 3/32-56 L=3.5		*		1
17	PS0150065KP	SPRING PIN 1.5X6		*		1

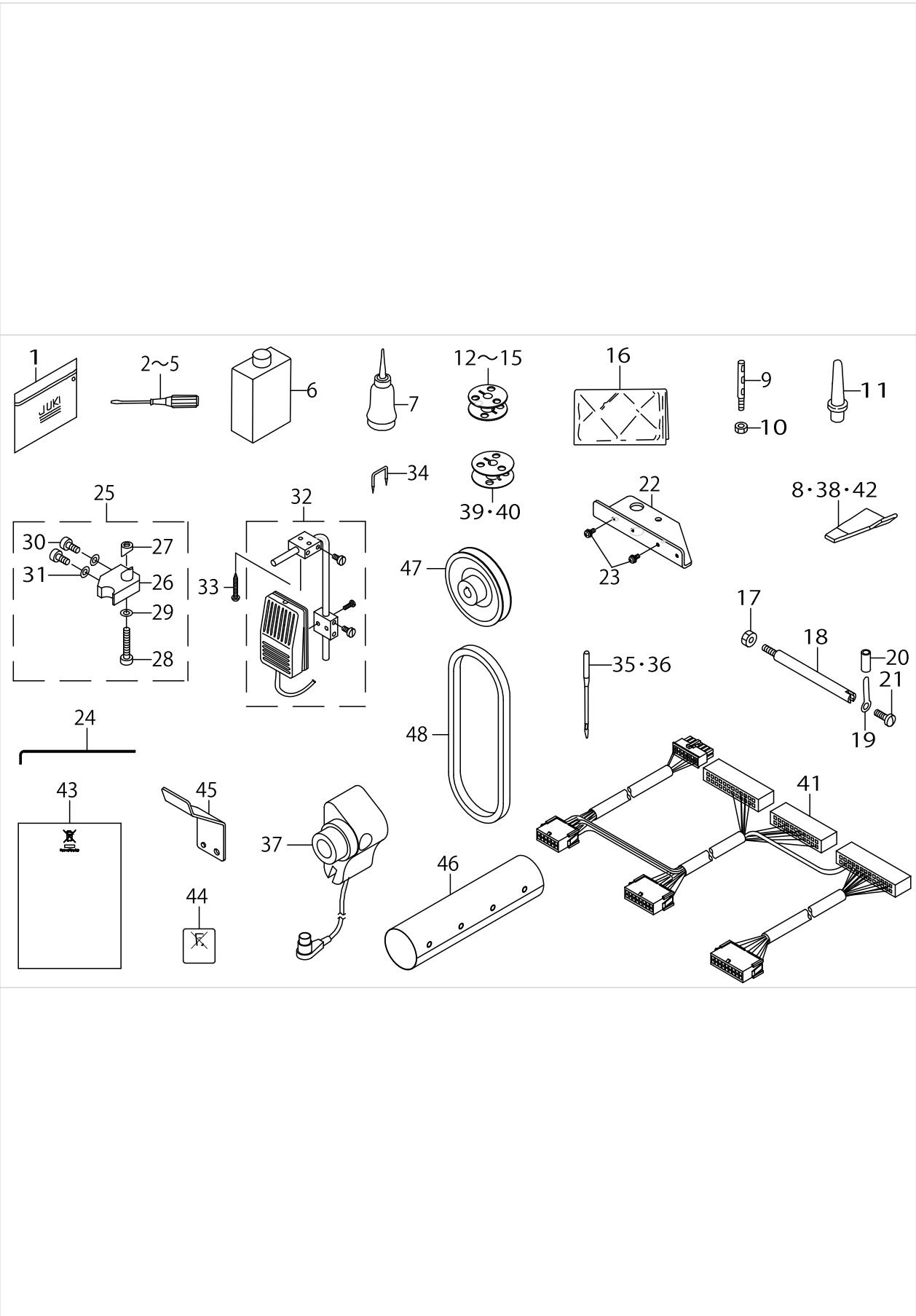
ACCESSORIES PARTS COMPONENTS



ACCESSORIES PARTS COMPONENTS

No.	Parts No.	Parts name	Remarks	Level	Cons	Qty
1	B9101552000	ACCESSORY BOX				1
2	22933006	SCREW DRIVER LARGE	EXCEPT JA			1
3	22933105	SCREW DRIVER MIDDLE				1
4	22933204	SCREW DRIVER SMALL				1
5	12347308	SCREW DRIVER (SMALL)				1
6	MDFRX1600C0	DEFRIX OIL NO.1(600CC)				1
7	B91210120A0	OILER ASM.				1
8	10742203	FIXED SURGICAL KNIFE GAUGE				1
9	40052262	THREAD GUIDE PIN				1
10	NS6620310SP	NUT 3/16-32				1
11	22931604	FRAME SUPPORT BAR				1
12	10759603	ALUMINUM BOBBIN (DOUBLE-CUT)				1
13	10759603	ALUMINUM BOBBIN (DOUBLE-CUT)	FOR LU-2260N-*			2
14	40018350	ALUMINUM BOBBIN A	FOR AE(LU-221*N-7)			1
15	40018350	ALUMINUM BOBBIN A	FOR AE(LU-2260N-7)			2
16	22933303	VINYL COVER				1
17	NS6150430SP	NUT 15/64-28				1
18	D7101245E00	SYNCHRONIZER HOLDER STUD				1
19	D7102245E00	SYNCHRONIZER HOLDER PLATE				1
20	BT0630520Z0	HOLDER COVER				0.02
21	SS7110710SP	SCREW 11/64-40 L=7				1
22	10774701	PANEL FIXED SUPPORT PLATE				1
23	SL4041081SC	SCREW M4 L=10				2
24	10777407	WRENCH 2.5MM	FOR LU-2260*-*			1
25	10735868	FIXING BASE ASM.	EXCEPT JA			1
26	10735801	FIXING BASE		*		1
27	10737401	FIXING BASE NUT		*		1
28	SM6063502TP	SCREW M6 L=35		*		1
29	WP0621016SD	WASHER 6.2X13X1		*		1
30	SM6051602TP	SCREW M5X0.8 L=16		*		2
31	WP0531000SE	WASHER		*		2
32	40025036	KNEE SWITCH ASM.	FOR DL KNEE SWITCH TYPE			1
33	SK3514000SC	WOOD SCREW D=5.1 L=40	FOR DL KNEE SWITCH TYPE			2
34	MAO11532000	CORD STAPLE	FOR DL KNEE SWITCH TYPE			2
35	MC321001402	NEEDLE 134-35 #140-2				1
36	MC321001402	NEEDLE 134-35 #140-2	FOR LU-2260*-*			2
37	40026920	SYNCHRONIZER ASM	FOR 7 TYPE(FOR LU-22*0W-7)			1
38	10757409	COUNTER KNIFE GAUGE	FOR LU-22*0W-*			1
39	21334800	ALUMINUM BOBBIN WITH KNURL	FOR LU-2210W-*			1
40	21334800	ALUMINUM BOBBIN WITH KNURL	FOR LU-2260W-*			2
41	40101742	RELAY CORD ASM.	FOR 7 TYPE(FOR LU-22*0W-7)			1
42	40027117	FIXED KNIFE GAGE	FOR LU-2212N-7			1
43	CM600100201	WEEE INFORMATION SHEET				1
44	CM600100101	WEEE MARK LABEL S				1
45	40052256	PANEL THREAD GUIDE				1
46	40102736	BUTTON TUBE	FOR 7 TYPE(FOR LU-22*0W-7)			0.35
47	MTSP00850B0	MOTOR PULLEY ASM. P.C.D 85	FOR 7 TYPE(FOR LU-22*0W-7)			1

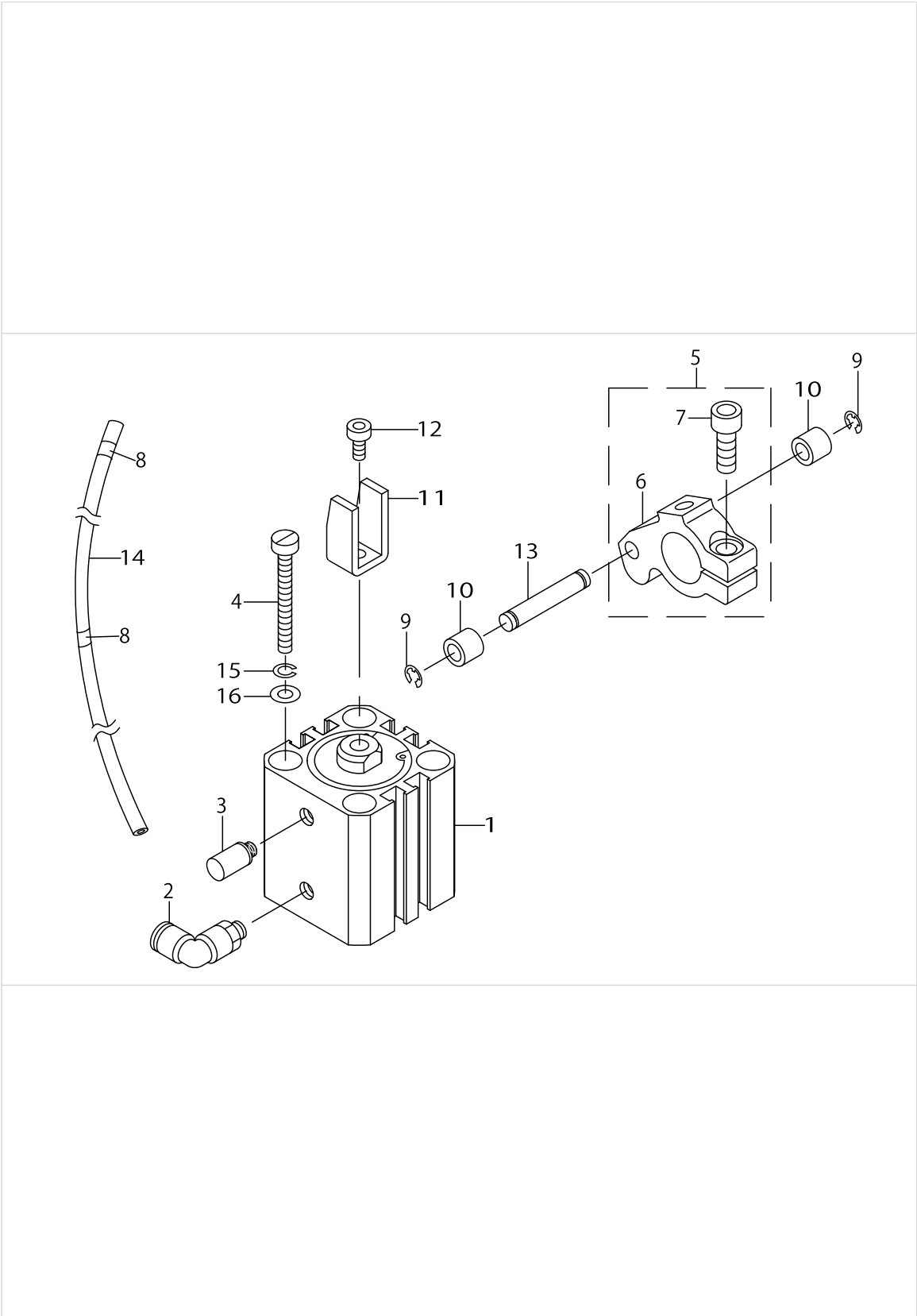
ACCESSORIES PARTS COMPONENTS



ACCESSORIES PARTS COMPONENTS

No.	Parts No.	Parts name	Remarks	Level	Cons	Qty
48	MTJVH00430A	V BELT 43INCH	FOR 7 TYPE(FOR LU-22*0W-7)			1

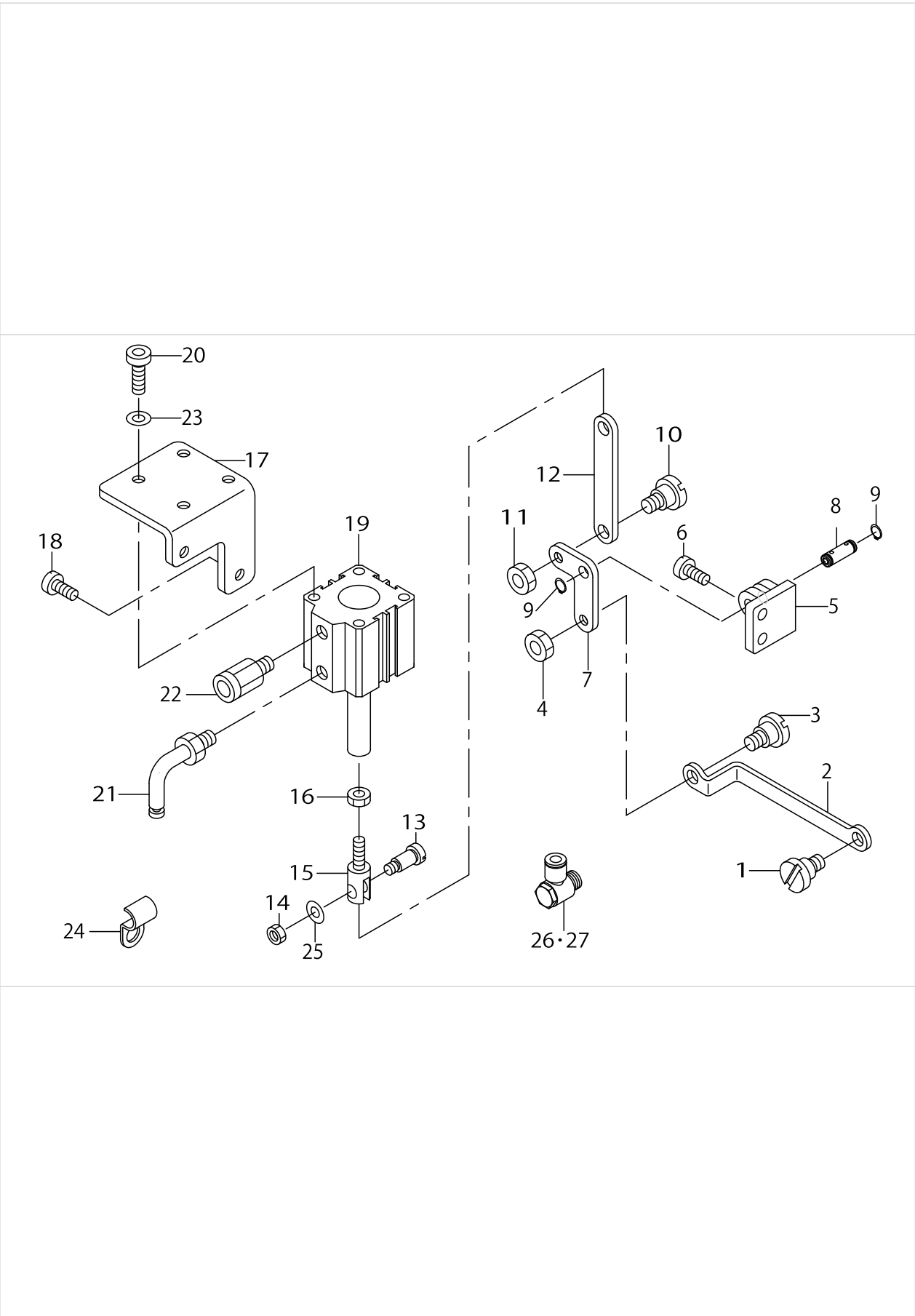
MUTUAL RISING QUANTITY TRANSFER COMPONENTS



MUTUAL RISING QUANTITY TRANSFER COMPONENTS

No.	Parts No.	Parts name	Remarks	Level	Cons	Qty
1	PA250200600	JIG CYLINDER	OPTIONAL PARTS			1
2	PJ304060505	ELBOW	OPTIONAL PARTS			1
3	PX050501000	SILENCER	OPTIONAL PARTS			1
4	SM6044500SP	SCREW	OPTIONAL PARTS			2
5	10735959	VERTICAL CYLINDER ARM ASM.	OPTIONAL PARTS			1
6	10735900	VERTICAL CYLINDER ARM		*		1
7	SM6051402TP	SCREW M5X0.8 L=14		*		1
8	HX00295000C	WIRE MARK(4)	OPTIONAL PARTS			2
9	RE0320000K0	E-RING 3.2	OPTIONAL PARTS			2
10	B3031141H00	CONNECTING STUD	OPTIONAL PARTS			2
11	10736007	ROLLER HOLDER	OPTIONAL PARTS			1
12	SM6050802TP	SCREW M5X0.8 L=8	OPTIONAL PARTS			1
13	B1504210000	CONNECTING SHAFT	OPTIONAL PARTS			1
14	BT0600401EB	TUBE	OPTIONAL PARTS			1.2
15	WS0410002KN	SPRING WASHER	OPTIONAL PARTS			2
16	WP0450846SP	WASHER	OPTIONAL PARTS			2

BACK TUCK COMPONENTS



BACK TUCK COMPONENTS

No.	Parts No.	Parts name	Remarks	Level	Cons	Qty
1	SD0800352SP	HINGE SCREW D=8 H=3.5				1
2	10736403	BACKWARD FEED ROD				1
3	SD0800352SP	HINGE SCREW D=8 H=3.5				1
4	NS6150540SP	NUT 15/64-28				1
5	10775807	LINK FITTING BASE				1
6	SS6151440SP	SCREW 15/64-28 L=14				2
7	10775906	BACKWARD FEED LINK				1
8	10718906	VERTICAL FEED LINK SHAFT				1
9	RC0650811KP	RETAINING RING				2
10	SD0800402TP	HINGE SCREW D=8 H=4				1
11	NS6150430SP	NUT 15/64-28				1
12	10737302	CYLINDER CONNECTION RING				1
13	SD0791271SP	HINGE SCREW D=7.94 H=12.7				1
14	NS6150430SP	NUT 15/64-28				2
15	40052254	CYLINDER KNUCKLE JOINT				1
16	NM6060001SE	NUT M6				1
17	10744506	CYLINDER INSTALLATION BASE	EXCEPT LU-2212N-7			1
18	SS6151440SP	SCREW 15/64-28 L=14	EXCEPT LU-2212N-7			2
19	PA320150200	JIG CYLINDER				1
20	SM6061802TP	SCREW M6 L=18				4
21	PJ304065101	ELBOW UNION 6XPT1/8				1
22	PX015101000	MUFFLER				1
23	WP0641601SD	WASHER M6				4
24	B3538112000	OIL RETURN TUBE HOLDER				1
25	WP0621016SD	WASHER 6.2X13X1				1
26	PC015118E00	SPEED CONTROLLER WITH FIXED ORIFICE 0.5	FOR LU-2212N-7			1
27	PC015118H00	SPEED CONTROLLER WITH FIXED ORIFICE 0.8	FOR LU-2212N-7			1

TABLE OF EXCHANGING GAUGE PARTS(FOR LU-2260*~*)

Needle width 針幅	Set number 代表品番		Needle clamp asm. 針止め (組)		Needle rod thread rack 針棒系かけ		Feed dog 送り歯		Presser foot asm. 押え足 (組)		Finger guard 指ガード	
	mm	Ref.No	Parts No.	Ref.No	Parts No.	Ref.No	Parts No.	Ref.No	Parts No.	Ref.No	Parts No.	Ref.No
(4)	1	107-84551		—	27	107-79007	30	107-80005	43	107-81557	56	107-86903
6	2	107-84650	15	107-77654	27	107-79007	31	107-80104	44	107-81656	56	107-86903
8	3	107-84759	16	107-77753	27	107-79007	32	107-80203	45	107-81755	56	107-86903
10	4	107-84858	17	107-77852	27	107-79007	33	107-80302	46	107-81854	57	107-87000
12	5	107-84957	18	107-77951	28	107-79106	34	107-80401	47	107-81953	57	107-87000
(14)	6	107-85053	19	107-78058	28	107-79106	35	107-80500	48	107-82050	58	107-87109
(16)	7	107-85152	20	107-78157	28	107-79106	36	107-80609	49	107-82159	58	107-87109
(18)	8	107-85251	21	107-78256	28	107-79106	37	107-80708	50	107-82258	58	107-87109
20	9	107-85350	22	107-78355	29	B1403-526-000	38	107-80807	51	107-82357	59	107-87208
(22)	10	107-85459	23	107-78454	29	B1403-526-000	39	107-80906	52	107-82456	59	107-87208
(24)	11	107-85558	24	107-78553	29	B1403-526-000	40	107-81003	53	107-82555	59	107-87208
(30)	12	107-85657	25	107-78652	29	B1403-526-000	41	107-81102	54	107-82654	60	107-87307
(36)	13	107-85756	26	107-78751	29	B1403-526-000	42	107-81201	55	107-82753	61	107-87406

Needle width 針幅	Set number 代表品番		Walking foot asm. 送り足 (組)		Throat plate 針板		Sliding plate(left) 滑り板 (左)		Sliding plate(right) 滑り板 (右)	
	mm	Ref.No	Parts No.	Ref.No	Parts No.	Ref.No	Parts No.	Ref.No	Parts No.	Ref.No
(4)	1	107-84551	62	107-83058	75	107-84502	88	107-86309	92	107-01803
6	2	107-84650	63	107-83157	76	107-84601	88	107-86309	92	107-01803
8	3	107-84759	64	107-83256	77	107-84700	88	107-86309	92	107-01803
10	4	107-84858	65	107-83355	78	107-84809	89	107-86408	93	107-86002
12	5	107-84957	66	107-83454	79	107-84908	89	107-86408	93	107-86002
(14)	6	107-85053	67	107-83553	80	107-85004	89	107-86408	93	107-86002
(16)	7	107-85152	68	107-83652	81	107-85103	89	107-86408	93	107-86002
(18)	8	107-85251	69	107-83751	82	107-85202	89	107-86408	93	107-86002
20	9	107-85350	70	107-83850	83	107-85301	90	107-86507	94	107-86101
(22)	10	107-85459	71	107-83959	84	107-85400	90	107-86507	94	107-86101
(24)	11	107-85558	72	107-84056	85	107-85509	90	107-86507	94	107-86101
(30)	12	107-85657	73	107-84155	86	107-85608	90	107-86507	94	107-86101
(36)	13	107-85756	74	107-84254	87	107-85707	91	107-86606	14	107-86200

Note...Sets having () with needle width are specially made to order.

Sliding plate(right) and sliding plate(left) are not included in the set nos.
注記...針幅に () のついているセットは、特別注文部品です。

代表品番の構成内容に滑り板(右),滑り板(左)は含まれません。

TABLE OF EXCHANGING GAUGE PARTS(FOR LU-2260*~*)

No.	Parts No.	Parts name	Remarks	Level	Cons	Qty
1	10784551	GAUGE SET 4MM				1
2	10784650	GAUGE SET 6MM				1
3	10784759	GAUGE SET 8MM				1
4	10784858	GAUGE SET 10MM				1
5	10784957	GAUGE SET 12MM				1
6	10785053	GAUGE SET 14MM				1
7	10785152	GAUGE SET 16MM				1
8	10785251	GAUGE SET 18MM				1
9	10785350	GAUGE SET 20MM				1
10	10785459	GAUGE SET 22MM				1
11	10785558	GAUGE SET 24MM				1
12	10785657	GAUGE SET 30MM				1
13	10785756	GAUGE SET 36MM				1
14	10786200	SLIDING PLATE RIGHT 36MM				1
15	10777654	NEEDLE CLAMP ASM. 6MM				1
16	10777753	NEEDLE CLAMP ASM. 8MM				1
17	10777852	NEEDLE CLAMP ASM. 10MM				1
18	10777951	NEEDLE CLAMP ASM. 12MM				1
19	10778058	NEEDLE CLAMP ASM. 14MM				1
20	10778157	NEEDLE CLAMP ASM. 16MM				1
21	10778256	NEEDLE CLAMP ASM. 18MM				1
22	10778355	NEEDLE CLAMP ASM. 20MM				1
23	10778454	NEEDLE CLAMP ASM. 22MM				1
24	10778553	NEEDLE CLAMP ASM. 24MM				1
25	10778652	NEEDLE CLAMP ASM. 30MM(SP)				1
26	10778751	NEEDLE CLAMP ASM. 36MM				1
27	10779007	NEEDLE BAR THREAD GUIDE 4-8MM				1
28	10779106	NEEDLE BAR THREAD GUIDE PLATE				1
29	B1403526000	THREAD GUIDE				1
30	10780005	FEED DOG (4MM)				1
31	10780104	FEED DOG (6MM)				1
32	10780203	FEED DOG (8MM)				1
33	10780302	FEED DOG				1
34	10780401	FEED DOG (12MM)				1
35	10780500	FEED DOG (14MM)				1
36	10780609	FEED DOG (16MM)				1
37	10780708	FEED DOG (18MM)				1
38	10780807	FEED DOG (20MM)				1
39	10780906	FEED DOG (22MM)				1
40	10781003	FEED DOG (24MM)				1
41	10781102	FEED DOG 30MM(SP)				1
42	10781201	FEED DOG 36MM				1
43	10781557	PRESSER FOOT ASM. 4MM				1
44	10781656	PRESSER FOOT ASM. 6MM				1
45	10781755	PRESSER FOOT ASM. 8MM				1
46	10781854	PRESSER FOOT ASM.				1
47	10781953	PRESSER FOOT ASM. 12MM				1

TABLE OF EXCHANGING GAUGE PARTS(FOR LU-2260*-*)

Needle width 針幅	Set number 代表品番		Needle clamp asm. 針止め (組)		Needle rod thread rack 針棒系かけ		Feed dog 送り歯		Presser foot asm. 押え足 (組)		Finger guard 指ガード	
	mm	Ref.No	Parts No.	Ref.No	Parts No.	Ref.No	Parts No.	Ref.No	Parts No.	Ref.No	Parts No.	Ref.No
(4)	1	107-84551		—	27	107-79007	30	107-80005	43	107-81557	56	107-86903
6	2	107-84650	15	107-77654	27	107-79007	31	107-80104	44	107-81656	56	107-86903
8	3	107-84759	16	107-77753	27	107-79007	32	107-80203	45	107-81755	56	107-86903
10	4	107-84858	17	107-77852	27	107-79007	33	107-80302	46	107-81854	57	107-87000
12	5	107-84957	18	107-77951	28	107-79106	34	107-80401	47	107-81953	57	107-87000
(14)	6	107-85053	19	107-78058	28	107-79106	35	107-80500	48	107-82050	58	107-87109
(16)	7	107-85152	20	107-78157	28	107-79106	36	107-80609	49	107-82159	58	107-87109
(18)	8	107-85251	21	107-78256	28	107-79106	37	107-80708	50	107-82258	58	107-87109
20	9	107-85350	22	107-78355	29	B1403-526-000	38	107-80807	51	107-82357	59	107-87208
(22)	10	107-85459	23	107-78454	29	B1403-526-000	39	107-80906	52	107-82456	59	107-87208
(24)	11	107-85558	24	107-78553	29	B1403-526-000	40	107-81003	53	107-82555	59	107-87208
(30)	12	107-85657	25	107-78652	29	B1403-526-000	41	107-81102	54	107-82654	60	107-87307
(36)	13	107-85756	26	107-78751	29	B1403-526-000	42	107-81201	55	107-82753	61	107-87406

Needle width 針幅	Set number 代表品番		Walking foot asm. 送り足 (組)		Throat plate 針板		Sliding plate(left) 滑り板 (左)		Sliding plate(right) 滑り板 (右)	
	mm	Ref.No	Parts No.	Ref.No	Parts No.	Ref.No	Parts No.	Ref.No	Parts No.	Ref.No
(4)	1	107-84551	62	107-83058	75	107-84502	88	107-86309	92	107-01803
6	2	107-84650	63	107-83157	76	107-84601	88	107-86309	92	107-01803
8	3	107-84759	64	107-83256	77	107-84700	88	107-86309	92	107-01803
10	4	107-84858	65	107-83355	78	107-84809	89	107-86408	93	107-86002
12	5	107-84957	66	107-83454	79	107-84908	89	107-86408	93	107-86002
(14)	6	107-85053	67	107-83553	80	107-85004	89	107-86408	93	107-86002
(16)	7	107-85152	68	107-83652	81	107-85103	89	107-86408	93	107-86002
(18)	8	107-85251	69	107-83751	82	107-85202	89	107-86408	93	107-86002
20	9	107-85350	70	107-83850	83	107-85301	90	107-86507	94	107-86101
(22)	10	107-85459	71	107-83959	84	107-85400	90	107-86507	94	107-86101
(24)	11	107-85558	72	107-84056	85	107-85509	90	107-86507	94	107-86101
(30)	12	107-85657	73	107-84155	86	107-85608	90	107-86507	94	107-86101
(36)	13	107-85756	74	107-84254	87	107-85707	91	107-86606	14	107-86200

Note...Sets having () with needle width are specially made to order.

Sliding plate(right) and sliding plate(left) are not included in the set nos.
注記...針幅に () のついているセットは、特別注文部品です。

代表品番の構成内容に滑り板(右),滑り板(左)は含まれません。

TABLE OF EXCHANGING GAUGE PARTS(FOR LU-2260*~*)

No.	Parts No.	Parts name	Remarks	Level	Cons	Qty
48	10782050	PRESSER FOOT ASM. 14MM				1
49	10782159	PRESSER FOOT ASM. 16MM				1
50	10782258	PRESSER FOOT ASM. 18MM				1
51	10782357	PRESSER FOOT ASM. 20MM				1
52	10782456	PRESSER FOOT ASM. 22MM				1
53	10782555	PRESSER FOOT ASM. 24MM				1
54	10782654	PRESSER FOOT ASM. 30MM(SP)				1
55	10782753	PRESSER FOOT ASM. 36MM				1
56	10786903	FINGER GUARD COVER (4-8MM)				1
57	10787000	FINGER GUARD COVER (10-12MM)				1
58	10787109	FINGER GUARD COVER (14-18MM)				1
59	10787208	FINGER GUARD COVER (20-24MM)				1
60	10787307	FINGER GUARD COVER (30MM)				1
61	10787406	FINGER GUARD COVER (36MM)				1
62	10783058	FEED FOOT ASM. 4MM				1
63	10783157	FEED FOOT ASM. 6MM				1
64	10783256	FEED FOOT ASM. 8MM				1
65	10783355	FEED FOOT ASM. 10MM				1
66	10783454	FEED FOOT ASM. 12MM				1
67	10783553	FEED FOOT ASM. 14MM				1
68	10783652	FEED FOOT ASM. 16MM				1
69	10783751	FEED FOOT ASM. 18MM				1
70	10783850	FEED FOOT ASM. 20MM				1
71	10783959	FEED FOOT ASM. 22MM				1
72	10784056	FEED FOOT ASM. 24MM				1
73	10784155	FEED FOOT ASM. 30MM(SP)				1
74	10784254	FEED FOOT ASM. 36MM				1
75	10784502	THROAT PLATE (4MM)				1
76	10784601	THROAT PLATE (6MM)				1
77	10784700	THROAT PLATE (8MM)				1
78	10784809	THROAT PLATE(10MM)				1
79	10784908	THROAT PLATE (12MM)				1
80	10785004	THROAT PLATE (14MM)				1
81	10785103	THROAT PLATE (16MM)				1
82	10785202	THROAT PLATE (18MM)				1
83	10785301	THROAT PLATE (20MM)				1
84	10785400	THROAT PLATE (22MM)				1
85	10785509	THROAT PLATE (24MM)				1
86	10785608	THROAT PLATE 30MM(SP)				1
87	10785707	THROAT PLATE 36MM				1
88	10786309	SLIDE PLATE LEFT 4-8MM				1
89	10786408	SLIDE PLATE LEFT 10-18MM				1
90	10786507	SLIDE PLATE LEFT 20-30MM				1
91	10786606	SLIDING PLATE LEFT 36MM				1
92	10701803	SLIDE PLATE RIGHT				1
93	10786002	SLIDE PLATE RIGHT 10-18MM				1
94	10786101	SLIDE PLATE RIGHT 20-30MM				1

TABLE OF EXCHANGING GAUGE PARTS(FOR LU-2260*~*)

Needle width 針幅	Set number 代表品番		Needle clamp asm. 針止め (組)		Needle rod thread rack 針棒系かけ		Feed dog 送り歯		Presser foot asm. 押え足 (組)		Finger guard 指ガード	
	mm	Ref.No	Parts No.	Ref.No	Parts No.	Ref.No	Parts No.	Ref.No	Parts No.	Ref.No	Parts No.	Ref.No
(4)	1	107-84551		—	27	107-79007	30	107-80005	43	107-81557	56	107-86903
6	2	107-84650	15	107-77654	27	107-79007	31	107-80104	44	107-81656	56	107-86903
8	3	107-84759	16	107-77753	27	107-79007	32	107-80203	45	107-81755	56	107-86903
10	4	107-84858	17	107-77852	27	107-79007	33	107-80302	46	107-81854	57	107-87000
12	5	107-84957	18	107-77951	28	107-79106	34	107-80401	47	107-81953	57	107-87000
(14)	6	107-85053	19	107-78058	28	107-79106	35	107-80500	48	107-82050	58	107-87109
(16)	7	107-85152	20	107-78157	28	107-79106	36	107-80609	49	107-82159	58	107-87109
(18)	8	107-85251	21	107-78256	28	107-79106	37	107-80708	50	107-82258	58	107-87109
20	9	107-85350	22	107-78355	29	B1403-526-000	38	107-80807	51	107-82357	59	107-87208
(22)	10	107-85459	23	107-78454	29	B1403-526-000	39	107-80906	52	107-82456	59	107-87208
(24)	11	107-85558	24	107-78553	29	B1403-526-000	40	107-81003	53	107-82555	59	107-87208
(30)	12	107-85657	25	107-78652	29	B1403-526-000	41	107-81102	54	107-82654	60	107-87307
(36)	13	107-85756	26	107-78751	29	B1403-526-000	42	107-81201	55	107-82753	61	107-87406

Needle width 針幅	Set number 代表品番		Walking foot asm. 送り足 (組)		Throat plate 針板		Sliding plate(left) 滑り板 (左)		Sliding plate(right) 滑り板 (右)	
	mm	Ref.No	Parts No.	Ref.No	Parts No.	Ref.No	Parts No.	Ref.No	Parts No.	Ref.No
(4)	1	107-84551	62	107-83058	75	107-84502	88	107-86309	92	107-01803
6	2	107-84650	63	107-83157	76	107-84601	88	107-86309	92	107-01803
8	3	107-84759	64	107-83256	77	107-84700	88	107-86309	92	107-01803
10	4	107-84858	65	107-83355	78	107-84809	89	107-86408	93	107-86002
12	5	107-84957	66	107-83454	79	107-84908	89	107-86408	93	107-86002
(14)	6	107-85053	67	107-83553	80	107-85004	89	107-86408	93	107-86002
(16)	7	107-85152	68	107-83652	81	107-85103	89	107-86408	93	107-86002
(18)	8	107-85251	69	107-83751	82	107-85202	89	107-86408	93	107-86002
20	9	107-85350	70	107-83850	83	107-85301	90	107-86507	94	107-86101
(22)	10	107-85459	71	107-83959	84	107-85400	90	107-86507	94	107-86101
(24)	11	107-85558	72	107-84056	85	107-85509	90	107-86507	94	107-86101
(30)	12	107-85657	73	107-84155	86	107-85608	90	107-86507	94	107-86101
(36)	13	107-85756	74	107-84254	87	107-85707	91	107-86606	14	107-86200

Note...Sets having () with needle width are specially made to order.

















Sliding plate(right) and sliding plate(left) are not included in the set nos.
注記...針幅に () のついているセットは、特別注文部品です。

代表品番の構成内容に滑り板(右),滑り板(左)は含まれません。

TABLE OF EXCHANGING GAUGE PARTS(FOR LU-2260*~*)

No.	Parts No.	Parts name	Remarks	Level	Cons	Qty
95	SS8080410TP	SCREW 1/8-44 L=3.5				1
96	SS6060440TP	SCREW 3/32-56 L=3.5				1
97	SS5060310SP	SCREW 3/32-56 L=2.8				1

TABLE OF EXCHANGING GAUGE PARTS(FOR LU-2210*~*,LU-2212N-7)(1)

Walking foot 上送り足																	
		Ref.No	Part No.	Ref.No	Part No.	Ref.No	Part No.	Ref.No	Part No.	Ref.No	Part No.	Ref.No	Part No.	Ref.No	Part No.	Ref.No	Part No.
Presser foot 押え足		1	107-11653	2	107-11752	3	107-11851	4	107-11950	5	107-45354	9	107-46352	13	107-12354 *01	14	107-12057
		6	107-45453	10	107-46451												
		7	107-45552	11	107-46550												
		8	107-45651	12	107-46659												
	15	107-12552	Standard 標準 	—	—	—	—	—	—	—	—	—	—	○	—	—	—
	16	107-58456	*02	—	—	—	—	—	—	—	—	—	—	○	—	—	—
	17	107-12651	 *03	—	—	—	—	—	—	—	—	—	—	○	—	—	—
	18	107-12750	 *04	 *05	—	—	—	—	—	—	—	—	—	—	—	—	—

*01・・・Without groove.

溝無しタイプ

To be used when the thread cannot be grasped at the sewing start.

縫い始めに糸が絡みにくい時に使用

*02・・・For overlapped sections of material.

段部用

Common type for overlapped sections and flat sections,

Intermediate type between 10712552 and 10712651.

段部用・平部でも使用できる両用タイプ, 10712552と10712651の中間タイプ

*03・・・For overlapped sections of material.

段部用

To be used when overlapped sections cannot be smoothly fed.

段部での乗り越えが悪い時に使用

*04・・・For light-weight sponge.

薄いスポンジ用

To be used for resilient materials such as sponge.

スポンジ等の弾力性の有る素材に使用

*05・・・For heavy-weight sponge.

厚いスポンジ用









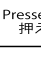






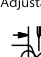

To be used for further resilient materials.

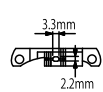
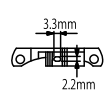
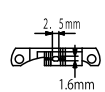
より弾力性の有る素材に使用

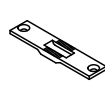
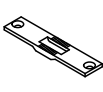
TABLE OF EXCHANGING GAUGE PARTS(FOR LU-2210*~*,LU-2212N-7)(1)

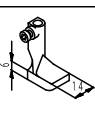
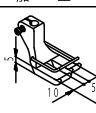
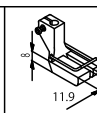
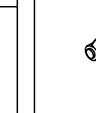
No.	Parts No.	Parts name	Remarks	Level	Cons	Qty
1	10711653	FEED FOOT ASM.				1
2	10711752	FEEDING FOOT (URETHANE)				1
3	10711851	FEEDING FOOT ASM. RIGHT				1
4	10711950	FEEDING FOOT ASM. LEFT				1
5	10745354	FEEDING FOOT (PIPING) 3MM				1
6	10745453	FEEDING FOOT (PIPING) 4MM				1
7	10745552	FEEDING FOOT (PIPING) 5MM				1
8	10745651	FEEDING FOOT (PIPING) 6MM				1
9	10746352	FEEDING FOOT (PIPING) 3MM ADJUSTABLE				1
10	10746451	FEEDING FOOT (PIPING) 4MM ADJUSTABLE				1
11	10746550	FEEDING FOOT (PIPING) 5MM ADJUSTABLE				1
12	10746659	FEEDING FOOT (PIPING) 6MM ADJUSTABLE				1
13	10712354	FEED FOOT ASM.				1
14	10712057	FEED FOOT ASM.				1
15	10712552	PRESSER FOOT ASM.				1
16	10758456	PRESSER FOOT ASM.				1
17	10712651	PRESSER FOOT ASM				1
18	10712750	PRESSER FOOT URETHANE				1

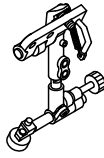
TABLE OF EXCHANGING GAUGE PARTS(FOR LU-2210*~*,LU-2212N-7)(2)

Walking foot 上送り足																
	Ref.No	Part No.	Ref.No	Part No.	Ref.No	Part No.	Ref.No	Part No.	Ref.No	Part No.	Ref.No	Part No.	Ref.No	Part No.	Ref.No	Part No.
	1	107-11653	2	107-11752	3	107-11851	4	107-11950	5	107-45354	9	107-46352	13	107-12354 *01	14	107-12057
	6	107-45453	10	107-46451												
	7	107-45552	11	107-46550												
	8	107-45651	12	107-46659												
	15	107-12859	—	—		*02	—	—	—	—	—	—	—	—	—	—
	16	107-12958	—	—	—	—		*03	—	—	—	—	—	—	—	—
	17	107-47350	—	—	—	—	—		*04	Adjustable 調製式		*05	—	—	—	
	18	107-47459														
	19	107-47558														
	20	107-47657														
	21	107-13055	—	—	—	—	—	—	—	—	—	—	—	—	—	*06

Feed dog 送り歯				
	3.3mm 2.2mm		3.3mm 2.2mm	
Standard 標準		For fine thread 細糸用		Wide type 幅広タイプ
Ref.No	22	23	24	25
Part No.	107-17106	107-17205	107-17304	107-39001

Throat plate 針板	
	
Standard 標準	Wide type 幅広タイプ
Ref.No	26
Part No.	107-01704
Ref.No	27
Part No.	107-02009

For machining 加工用			
			
To be machined to a walking foot. 送り足加工用	Type B to be machined to a walking foot. 送り足加工用B	Type A to be machined to a walking foot. 送り足加工用A	
Ref.No	28	29	30
Part No.	107-12255	107-48358	107-13253

Swing edge guide 吊り定規

31
MAH-152010A0

*01...Without groove.

溝無しタイプ

To be used when the thread cannot be grasped at the sewing start.
縫い始めに糸が絡みにくい時に使用

*02...Right-edge presser.

右片押え

To be used to sew edges of material.
イッジを縫製する場合に使用

*03...Left-edge presser.

左片押え

To be used to sew edges of material.
イッジを縫製する場合に使用

*04...For piping.

パイピング用

To be used for general piping processes.
一般のパイピング工程に使用

*05...For piping.

パイピング用

Permits adjustment of the needle position with respect to the pipe.
パイプに対する針の位置が調整出来ます。

*06...Wide type.

幅広タイプ

To be used when a sewing product cannot be smoothly fed.
縫製物の送りが悪い場合に使用

TABLE OF EXCHANGING GAUGE PARTS(FOR LU-2210*~*,LU-2212N-7)(2)

No.	Parts No.	Parts name	Remarks	Level	Cons	Qty
1	10711653	FEED FOOT ASM.				1
2	10711752	FEEDING FOOT (URETHANE)				1
3	10711851	FEEDING FOOT ASM. RIGHT				1
4	10711950	FEEDING FOOT ASM. LEFT				1
5	10745354	FEEDING FOOT (PIPING) 3MM				1
6	10745453	FEEDING FOOT (PIPING) 4MM				1
7	10745552	FEEDING FOOT (PIPING) 5MM				1
8	10745651	FEEDING FOOT (PIPING) 6MM				1
9	10746352	FEEDING FOOT (PIPING) 3MM ADJUSTABLE				1
10	10746451	FEEDING FOOT (PIPING) 4MM ADJUSTABLE				1
11	10746550	FEEDING FOOT (PIPING) 5MM ADJUSTABLE				1
12	10746659	FEEDING FOOT (PIPING) 6MM ADJUSTABLE				1
13	10712354	FEED FOOT ASM.				1
14	10712057	FEED FOOT ASM.				1
15	10712859	FEEDING FOOT RIGHT				1
16	10712958	PRESSER FOOT LEFT				1
17	10747350	PRESSER FOOT (PIPING) 3MM				1
18	10747459	PRESSER FOOT (PIPING) 4MM				1
19	10747558	PRESSER FOOT (PIPING) 5MM				1
20	10747657	PIPING FOOT 6MM				1
21	10713055	FEED FOOT ASM.				1
22	10717106	FEED DOG				1
23	10717205	FEED DOG W10 GROOVE				1
24	10717304	FEED DOG (THIN THREAD)				1
25	10739001	FEED DOG				1
26	10701704	THROAT PLATE				1
27	10702009	THROAT PLATE				1
28	10712255	FEED FOOT ASM.				1
29	10748358	PRESSER FOOT ASM.				1
30	10713253	PRESSER FOOT ASM.				1
31	MAH152010A0	RULER ASM.				1

LIST FOR INFORMATION OF CHANGE

As to the place changed, refer to the corresponding Rev.No.
 When previous parts (Obsolete part) and new parts (Added parts) are not interchangeable with each other:
 In this case, even obsolete parts (D.) can be ordered with the obsolete part number, so select the parts with changed dates and place your orders.

変更箇所は、該当Rev.No.版をご参照ください。
 部品の互換性がない変更の場合は、削除された品番でも、ご注文できます。

²⁹³¹⁹¹⁰⁰
 No.1235-10・・・Rev.No.

*A: Added parts 追加部品 / D: Obsolete parts 削除部品 / E: Erratum 訂正

* Rev. No.	Page 頁	Ref. No.	Parts No. 品番	*	Rev. No.	Page 頁	Ref. No.	Parts No. 品番
D 09	2	4	TA-0850604-R0					
D 09	2	20	226-03203	A 10	2	20	400-84142	
D 09	2	21	SS-6090510-TP	A 10	2	21	SS-2090810-SP	
D 09	4	60	B1309-055-000	A 10	4	60	401-13224	
D 09	37	-	No.2~No.24					
D 09	37	-	No.26~No.44					

HOW TO MAKE USE OF THIS PARTS LIST

1.Explanation of codes

1)"*"mark.....means this part is changed from the previous parts book.

As to the details of the change, refer to the "List for information of change".

2)"#01".....refer to "Note" explanation at bottom of page.

2.Codes on the "Qty" column

- Each numeral indicates the number of parts required.
- "0.1" and "2.5" indicate the length (in meters) of the respective parts.

3.Parentheses mean that the corresponding part is a subpart that constructs an assembly part.

4.Dotted lines on the Figures indicate assembly parts.

1."注記"欄の記号説明

1) "*"印.....前回のパーツブックに比較して今回変更された部品を意味します。

変更内容は、"変更情報リスト"を参照してください。

2) "#01".....ページ下の"注記"の説明を参照してください。

2.数量欄の数字は、個数を表し、0.1、2.5等の数値は、長さ（単位メートル）を表します。

3.数量欄の（ ）は、組部品を構成している子部品であることを意味します。

4.イラストページの-----枠は、組構成であることを意味します。

NUMERICAL INDEX OF PARTS

PART NO	PAGE	REF NO.	PART NO	PAGE	REF NO.	PART NO	PAGE	REF NO.
10088003	42	30	10703106	38	26	10709400	10	15
10109809	14	62	10703205	38	47	10709608	10	18
10109809	28	13·18~21	10703304	38	17	10709608	12	25
10109809	32	13·18~21	10703452	42	13	10709707	12	1
10111201	28	13·18~21	10703502	42	1	10710002	14	52
10111201	32	13·18~21	10703601	42	3	10710101	14	53
10112506	28	13·18~21	10703700	42	4	10710200	14	57
10112506	32	13·18~21	10703809	42	14	10710309	12	8
10112605	28	13·18~21	10703908	42	5	10710408	12	15
10112605	32	13·18~21	10704005	42	19	10710507	12	18
10112704	28	13·18~21	10704104	42	29	10710606	12	19
10112704	32	13·18~21	10704153	42	28	10710705	12	20
10119907	16	38	10704401	6	1	10710804	12	28
10123701	52	79	10704500	6	2	10710903	14	69
10124204	42	35	10704609	2	44	10710903	20	35
10126803	50	12	10704757	6	6	10711000	12	11
10320109	38	3	10704807	42	20	10711117	12	23
10320208	38	33	10704955	6	8	10711406	22	28
10502300	42	22	10704963	6	10	10711406	26	20
10523702	6	39	10705002	6	12	10711653	64	7
10527901	52	66	10705408	6	17	10711653	82	1
10539906	60	6	10705606	6	30	10711653	84	1
10591709	8	56	10705754	6	29	10711752	82	2
10700508	2	37	10706315	8	53	10711752	84	2
10700706	2	9	10706703	6	16	10711851	82	3
10701209	2	16	10707156	6	37	10711851	84	3
10701308	2	17	10707206	6	46	10711950	82	4
10701654	64	1	10707305	8	48	10711950	84	4
10701654	66	1	10707602	6	40	10712057	82	14
10701704	64	2·3	10707750	6	41	10712057	84	14
10701704	84	26	10707958	6	42	10712255	84	28
10701803	78	92	10708006	6	45	10712354	82	13
10701902	64	6	10708105	10	1	10712354	84	13
10702009	64	2·3	10708204	10	2	10712552	64	9
10702009	84	27	10708303	6	18	10712552	82	15
10702108	50	45	10708469	10	4	10712651	82	17
10702207	52	65	10708501	10	16	10712750	82	18
10702405	38	7	10708808	10	5	10712859	84	15
10702553	38	2	10708907	10	7	10712958	84	16
10702561	38	1	10708907	12	68	10713055	84	21
10702603	38	32	10708907	14	68	10713253	84	30
10702702	38	52	10709004	2	38	10713501	14	65
10702702	40	52	10709152	10	9	10713766	12	26
10702801	38	53	10709202	10	11	10713808	12	31
10702801	40	53	10709350	10	13	10713907	12	33

NUMERICAL INDEX OF PARTS

PART NO	PAGE	REF NO.	PART NO	PAGE	REF NO.	PART NO	PAGE	REF NO.
10714004	12	35	10719953	20	30	10725604	32	44
10714103	12	36	10719961	20	29	10726107	28	7
10714202	12	37	10720001	20	32	10726107	32	8
10714301	12	44	10720357	16	2	10726305	24	50
10714400	12	42	10720407	16	7	10726305	26	10
10714806	14	48	10720506	16	13	10726404	22	3
10714905	14	50	10720555	16	5	10726404	26	3
10715258	14	54	10720605	16	17	10726503	22	7·8
10715506	44	9	10721009	16	54	10726503	26	7·8
10715605	44	14	10721009	18	54	10726552	22	1·2
10715704	4	64	10721207	16	34	10726552	26	1·2
10715902	44	11~13	10721306	18	59	10726800	24	51
10716009	44	2	10721504	16	9	10726800	26	9
10716108	44	17	10721900	16	35	10726909	22	4
10716207	44	18	10722007	16	23	10726909	26	5
10716504	14	59	10722353	28	26	10727105	50	31
10716603	44	21	10722353	32	26	10727154	50	6
10717007	44	11~13	10722403	28	1	10727162	50	30
10717106	64	11	10722601	36	33	10727204	50	32
10717106	84	22	10722809	36	21	10727303	50	34
10717205	84	23	10722908	36	40	10727709	22	22
10717304	84	24	10723013	36	6	10727709	26	37
10717502	20	1	10723104	36	37	10727808	22	16
10717668	20	2	10723203	36	29	10727857	22	15
10717908	20	15	10723302	36	41	10727907	22	46
10718005	20	36	10723401	36	42	10728103	22	26
10718153	20	33	10723500	36	38	10728103	26	19
10718203	20	16	10723708	28	27	10728152	22	25
10718302	44	11~13	10723708	32	27	10728152	26	18
10718351	44	4~6	10723807	28	23·24·28	10728160	22	24
10718401	16	53	10723807	32	23·24·28	10728160	26	17
10718401	18	53	10723906	28	30	10728301	22	35
10718500	20	43	10723906	32	30	10728400	36	35
10718658	20	8	10724201	28	34	10728509	36	30
10718807	20	17	10724201	32	34	10728608	36	32
10718906	20	11	10724706	28	47	10728707	36	34
10718906	74	8	10724706	32	47	10728806	46	7
10719052	20	18	10724805	28	39	10728905	46	5
10719201	20	20	10724805	32	39	10729010	46	1
10719300	20	23	10725000	30	5·49	10729218	46	3
10719508	20	28	10725000	32	40	10729606	46	20
10719656	20	21	10725158	28	42	10729754	46	14
10719664	20	19	10725158	32	42	10729952	46	21
10719706	20	46	10725307	16	8	10730109	46	23
10719805	20	47	10725604	28	44	10730513	46	13

NUMERICAL INDEX OF PARTS

PART NO	PAGE	REF NO.	PART NO	PAGE	REF NO.	PART NO	PAGE	REF NO.
10730703	46	29	10741502	38	20	10748358	84	29
10731404	50	2	10741601	38	13	10748507	56	51
10731701	2	29	10741908	56	56	10748507	58	9
10732204	22	38	10741908	58	10	10751303	12	38
10732402	52	49	10742005	60	5	10752202	36	26
10732600	52	50	10742203	68	8·38·42	10752301	36	27
10732709	50	25	10742302	60	1	10752418	36	14
10733004	50	4	10742757	2	10	10752467	36	3
10733103	2	43	10743003	2	7	10753002	50	36
10733509	16	25	10743151	2	1	10753150	64	5
10733608	52	61	10743201	2	13	10754505	22	19
10733707	52	62	10743300	44	1	10754604	24	48
10733806	10	20	10743656	60	19·20	10754802	6	38
10734119	52	64	10744308	16	24	10754901	2	42
10734309	52	68	10744506	74	17	10755155	60	19·20
10734507	52	76	10744704	38	36	10755205	60	25
10734606	52	58	10744803	38	37	10755403	50	38
10734853	60	4	10744902	38	11	10755502	46	27
10735306	60	8	10745354	82	5	10755601	28	6
10735801	68	26	10745354	84	5	10755601	32	7
10735868	68	25	10745453	82	6	10755700	2	22
10735900	72	6	10745453	84	6	10756609	40	62
10735959	72	5	10745552	82	7	10756708	36	43
10736007	72	11	10745552	84	7	10756757	36	24·25
10736403	74	2	10745651	82	8	10756807	36	39
10736908	46	31	10745651	84	8	10756906	36	36
10737302	74	12	10745800	2	40	10757003	36	28
10737401	68	27	10745909	6	20	10757409	68	8·38·42
10739001	84	25	10746352	82	9	10758456	82	16
10739209	50	35	10746352	84	9	10759603	36	22·23·46-47
10739308	28	23·24·28	10746451	82	10	10759603	68	12~15
10739308	32	23·24·28	10746451	84	10	10760304	50	20
10739407	28	23·24·28	10746550	82	11	10760502	52	84
10739407	32	23·24·28	10746550	84	11	10761203	36	17
10739506	14	70	10746659	82	12	10761252	36	1·2
10740611	56	50	10746659	84	12	10761401	22	7·8
10740611	58	12	10746709	20	5	10761401	26	7·8
10740710	54	35	10746907	52	78	10761450	22	1·2
10740710	58	23	10747111	52	75	10761450	26	1·2
10740801	56	48	10747350	84	17	10770303	28	25
10740801	58	11	10747459	84	18	10770352	28	3·4
10740900	60	2	10747558	84	19	10770402	28	22
10741007	6	14	10747657	84	20	10770402	32	22
10741106	38	45	10748002	8	57	10770501	28	43
10741452	38	34	10748101	60	17			

NUMERICAL INDEX OF PARTS

PART NO	PAGE	REF NO.	PART NO	PAGE	REF NO.	PART NO	PAGE	REF NO.
10770501	32	43	10777308	2	18	10782654	78	54
10771103	10	25	10777407	68	24	10782753	78	55
10771251	6	36	10777654	76	15	10783058	78	62
10771269	6	35	10777753	76	16	10783157	78	63
10771301	50	23	10777803	66	13	10783256	78	64
10771459	16	40	10777852	66	12	10783355	66	6
10771509	50	18	10777852	76	17	10783355	78	65
10771707	32	25	10777951	76	18	10783454	78	66
10771756	32	4	10778058	76	19	10783553	78	67
10771806	26	15	10778157	76	20	10783652	78	68
10771905	26	24	10778256	76	21	10783751	78	69
10772002	26	29	10778355	76	22	10783850	78	70
10772101	26	31	10778454	76	23	10783959	78	71
10772200	26	33	10778553	76	24	10784056	78	72
10772309	22	12	10778652	76	25	10784155	78	73
10772408	32	36	10778751	76	26	10784254	78	74
10772507	26	26	10779007	66	15	10784502	78	75
10772705	32	1	10779007	76	27	10784551	76	1
10772804	22	11	10779106	76	28	10784601	78	76
10772804	26	35	10780005	76	30	10784650	76	2
10772952	60	9	10780104	76	31	10784700	78	77
10773000	52	71	10780203	76	32	10784759	76	3
10773109	40	61	10780302	66	10	10784809	66	2
10773356	40	56	10780302	76	33	10784809	78	78
10773364	38	29-30	10780401	76	34	10784858	76	4
10773406	38	46	10780500	76	35	10784908	78	79
10773505	40	57	10780609	76	36	10784957	76	5
10773554	38	31	10780708	76	37	10785004	78	80
10773703	38	41	10780807	76	38	10785053	76	6
10773802	38	42	10780906	76	39	10785103	78	81
10774008	2	34	10781003	76	40	10785152	76	7
10774305	4	59	10781102	76	41	10785202	78	82
10774354	4	58	10781201	76	42	10785251	76	8
10774404	4	60	10781557	76	43	10785301	78	83
10774602	4	56	10781656	76	44	10785350	76	9
10774651	4	55	10781755	76	45	10785400	78	84
10774701	68	22	10781854	66	8	10785459	76	10
10775302	28	36	10781854	76	46	10785509	78	85
10775401	40	35-58	10781953	76	47	10785558	76	11
10775500	6	27	10782050	78	48	10785608	78	86
10775609	8	52	10782159	78	49	10785657	76	12
10775658	8	51	10782258	78	50	10785707	78	87
10775807	74	5	10782357	78	51	10785756	76	13
10775906	74	7	10782456	78	52	10786002	66	4
10776656	6	32	10782555	78	53	10786002	78	93

NUMERICAL INDEX OF PARTS

PART NO	PAGE	REF NO.	PART NO	PAGE	REF NO.	PART NO	PAGE	REF NO.
10786101	78	94	40011368	42	11	40052240	12	14
10786200	76	14	40018350	36	22·23·46-	40052241	16	41
10786309	78	88			·47	40052242	16	44
10786408	66	5	40018350	68	12~15	40052244	30	54
10786408	78	89	40023289	16	36	40052246	48	11
10786507	78	90	40024852	4	66	40052251	4	57
10786606	78	91	40025036	68	32	40052252	18	48
10786903	78	56	40025299	60	11	40052253	28	2
10787000	78	57	40025300	60	14	40052253	32	2
10787109	78	58	40025556	16	45	40052254	48	14
10787208	78	59	40025557	16	16	40052254	74	15
10787307	78	60	40025559	48	16	40052255	16	1
10787406	78	61	40025561	48	2	40052256	68	45
10795102	40	60	40025562	2	4	40052258	20	4
10795151	38	29·30	40025563	24	59	40052259	46	35
11020401	6	22	40025964	58	34	40052260	44	10
11020500	6	24	40026733	54	44	40052262	68	9
11020609	6	23	40026733	58	17	40052263	12	32
11045101	38	44	40026734	54	42	40052264	46	11
11072402	38	43	40026734	58	18	40052266	8	63
12347308	68	2~5	40026735	54	45	40052267	16	33
13707500	20	39	40026736	54	43	40059694	60	22·23
13737804	16	46	40026736	58	19	40059695	60	22·23
21054903	50	44	40026737	58	20	40063991	28	45
21334800	36	44·45	40026740	54	41	40063991	32	45
21334800	68	39·40	40026741	58	16	40063992	30	48
21337902	48	9	40026920	68	37	40063992	32	5
21379003	60	12	40027117	68	8·38·42	40064240	44	4~6
21389200	24	58	40027118	24	53	40064519	6	31
21389309	24	54	40027119	24	52	40067331	2	15
21389408	24	55	40027139	2	26	40067341	16	47
22603708	2	35	40027140	4	50	40073881	44	4~6
22901805	22	18	40027141	4	51	40079568	52	74
22907802	46	17	40027219	16	12	40082707	50	41
22908909	12	29	40027231	18	57	40084142	2	20
22917009	22	34	40031233	48	4	40096354	62	1
22931604	68	11	40031234	48	6	40100943	4	52
22933006	68	2~5	40031235	48	7	40101351	22	32
22933105	68	2~5	40033293	28	5·49	40101351	26	12
22933204	68	2~5	40033672	28	3·4	40101742	68	41
22933303	68	16	40035542	18	58	40102063	54	2
22949101	16	42	40038722	54	12	40102064	54	22
22951552	22	39	40038722	58	25	40102065	54	1
26017400	16	43	40038723	54	16	40102736	68	46
26910158	62	2	40038723	58	29	40103167	54	21

NUMERICAL INDEX OF PARTS

PART NO	PAGE	REF NO.	PART NO	PAGE	REF NO.	PART NO	PAGE	REF NO.
40103168	58	32	B3216047000	42	32	D2611555B00A	52	52
40103169	58	33	B3416552000	14	63	D2611555B00A	54	32
40103913	54	37-38	B3510019000	2	45	D3168555H0B	38	15
40103914	54	37-38	B3520245000	50	16	D3168555H0B	42	33
40103916	58	1	B3521245000	50	14	D7101245E00	68	18
40107618	54	17	B3525357000	50	42	D7102245E00	68	19
40107618	58	27	B3534012000	50	43	E8760452D00	54	40-57
40107949	12	30	B3538112000	4	68	E8760452D00	56	40-57
40108542	4	61	B3538112000	74	24	E8760452D00	58	13
40113091	38	12	B8112220000	60	13	E8760452K00	56	58
40113092	42	34	B8213012000	60	7	E8760452K00	58	14
40113224	8	60	B8228125000	50	33	EA9500B0000	50	80
40130995	12	5	B9101552000	68	1	EA9500B0000	52	80
40132151	12	7	B91210120A0	68	7	EA9500B0000	58	3
40132152	12	4	BP600000000	44	15	EA9500B0100	4	53
40132153	12	10	BT0400251EA	52	55	EA9500B0100	52	82
B1111563000	2	30	BT0500300E0	50	70	EA9500B0100	56	55
B1114280000	16	39	BT0500300E0	52	70	EA9500B0100	58	7
B1148141H00	16	52	BT0600401EB	54	28	EA9500B0200	22	42
B1148141H00	18	52	BT0600401EB	58	39	EA9500B0200	52	81
B1150490000	2	32	BT0600401EB	72	14	GAK29009000	54	14
B1215804000	28	8	BT0600402EA	16	21	GAK29009000	58	28
B1215804000	32	9	BT0600402EA	50	53	GAK29010000	54	24
B1308055000	8	58	BT0600402EA	52	53	GAK29010000	58	35
B1310055000	8	59	BT0630520Z0	68	20	GAKA1503000	54	25
B1314055000	8	61	BT0800602E0	50	72	GAKA1503000	58	36
B1403526000	76	29	BT0800602E0	52	72	GAKA2302B00	54	4
B1504210000	72	13	CM300200001	4	48	GAKA2302C00	54	23
B152652700G	4	65	CM301200001	2	47	HK034610120	22	45
B1648122000	52	57	CM600100101	68	44	HK034610160	56	52
B2311019000	26	28	CM600100201	68	43	HK034610160	58	2
B3031141H00	22	30	CQ200000000	46	12	HK034610180	54	27
B3031141H00	26	22	CQ202000000	10	24	HK034610180	58	38
B3031141H00	72	10	CQ202000000	14	61	HK03464000A	54	47-53
B3126012000	38	40	CQ202000000	20	42	HK03464000A	56	47-53
B3128526000	38	35-58	CQ202000000	52	67	HK03464000A	58	37
B3129012A00	38	10	CQ252000000	12	12	HK03464000B	22	44
B3129053000	38	38	CQ252000000	52	48	HK03464000B	46	6
B3132552000	38	39	CS0790731SH	26	13	HR029101520	54	46
B3138512000	2	24	CS1201011SH	16	22	HR029101520	58	5
B3205210000	42	7	CS1201011SH	46	25	HW000840080	54	39
B3207210000	42	16	CS1501011TH	12	46	HW000840080	58	4
B3208210000	42	18	CS1501011TH	20	37	HW500140000	22	37
B3211210000	42	10	D2430555B00	42	15	HX00123000A	56	61
B3216047000	38	14	D2515232D00	16	37	HX00150000F	56	59

NUMERICAL INDEX OF PARTS

PART NO	PAGE	REF NO.	PART NO	PAGE	REF NO.	PART NO	PAGE	REF NO.
HX002950000	54	29	PC015118E00	48	20	SB110001000	32	11
HX002950000	58	40	PC015118E00	74	26-27	SB115000400	28	11
HX00295000A	46	16	PC015118H00	48	1	SB115000400	32	12
HX00295000A	54	30	PC015118H00	74	26-27	SB115000900	28	12
HX00295000A	58	41	PF0552170A0	54	15	SD0470281SP	38	50
HX00295000B	46	38	PF0552170A0	58	26	SD0470281SP	40	50
HX00295000B	54	31	PJ301065104	46	33	SD0500301SP	26	30
HX00295000B	58	42	PJ304060505	72	2	SD0500481TP	22	20
HX00295000C	72	8	PJ304065101	74	21	SD0500721SP	22	29
HX00295000K	48	23	PS0150065KP	66	17	SD0500721SP	26	23
HX00295000K	58	43	PS0200102KH	42	17	SD0640322TP	8	62
HX00295000L	48	24	PS0300082KH	44	7	SD0700332SP	44	20
HX00295000L	58	44	PS0400322KP	16	11	SD0720331SP	46	36
MAH152010A0	84	31	PS0500302KH	46	28	SD0790203SP	46	2
MAO11532000	68	34	PX015101000	74	22	SD0791271SP	48	12
MC321001400	10	27	PX050501000	72	3	SD0791271SP	74	13
MC321001402	68	35-36	RC0560711KP	12	22	SD0800352SP	74	3
MDFRX1600C0	68	6	RC0650811KP	20	13	SD0800402TP	74	10
MTJVH00430A	70	48	RC0650811KP	74	9	SD0901201TP	46	8
MTSP00850B0	68	47	RC0740811KP	14	67	SK3241601SC	60	10
NM6030001SC	60	16	RC0740811KP	48	8	SK3385001SE	54	20
NM6040001SC	22	43	RC1200001KP	44	3	SK3385001SE	58	24
NM6040001SN	6	44	RC1200001KP	46	9	SK3482500SC	60	26
NM6040003SC	38	54	RE0320000K0	72	9	SK3482501SE	56	60
NM6040003SC	40	54	RE0400000K0	12	13	SK3482501SE	58	45
NM6060001SE	48	15	RE0400000K0	16	56	SK3514000SC	68	33
NM6060001SE	74	16	RE0400000K0	18	56	SL4040881SC	4	69
NM6080001SE	46	37	RE0400000K0	28	14	SL4041081SC	68	23
NM6860003SC	56	49	RE0400000K0	32	14	SM1040801SC	10	21
NM6860003SC	58	15	RE0500000K0	14	64	SM3030650SC	6	21
NS6110310SP	38	49	RE0500000K0	20	45	SM3031401SE	60	15
NS6110310SP	40	49	RE0500000K0	44	8	SM4030601SC	28	31
NS6110310SP	42	31	RE0600000K0	10	12	SM4030601SC	32	31
NS6110360SP	42	12	RO068190100	52	73	SM4040601SB	24	49
NS6150430SP	44	16	RO098240100	28	32	SM4040601SC	52	63
NS6150430SP	48	13	RO098240100	32	32	SM4061001SB	54	18
NS6150430SP	68	17	RO118240100	16	55	SM4061001SB	58	31
NS6150430SP	74	14	RO118240100	18	55	SM4861201SC	56	54
NS6150540SP	48	3	RO294310100	6	34	SM4861201SC	58	8
NS6150540SP	74	4	RO312240100	8	50	SM6021000TP	50	37
NS6620310SP	68	10	RO357350100	28	17	SM6030602TP	10	26
PA250200600	72	1	RO357350100	32	17	SM6030802TP	22	9
PA320100400	48	18	SB110000900	28	9	SM6030802TP	26	11
PA320150200	74	19	SB110000900	32	10	SM6031202TP	22	36
PA400200200	46	32	SB110001000	28	10	SM6040552TP	64	8

NUMERICAL INDEX OF PARTS

PART NO	PAGE	REF NO.	PART NO	PAGE	REF NO.	PART NO	PAGE	REF NO.
SM6040552TP	66	7	SM8050502TP	26	32	SS6111140SP	22	41
SM6040602TP	22	31	SM8050502TP	28	46	SS6111140SP	28	16
SM6040602TP	26	36	SM8050502TP	32	46	SS6111140SP	32	16
SM6040800SP	52	77	SM8050512TP	12	40	SS6121010SP	2	27
SM6040802TP	26	34	SM8050602TP	12	41	SS6121010SP	14	49
SM6040802TP	32	37	SM8050602TP	22	14	SS6121010SP	38	28
SM6040802TP	64	10	SM8050602TP	36	31	SS6121010SP	46	4
SM6040802TP	66	9	SM8050602TP	42	21	SS6121010SP	50	26
SM6041002TP	28	37	SM8060552TP	20	31	SS6121010SP	54	36
SM6041012TP	10	17	SM8060602TP	6	55	SS6121050SP	12	16
SM6041202TP	22	23	SM8060602TP	8	55	SS6121860SP	16	28
SM6041202TP	26	27	SM8060602TP	16	26	SS6123010SP	2	12
SM6044500SP	72	4	SM8061212TP	8	49	SS6151412TP	20	9
SM6050802TP	52	51	SM8080802TP	6	13	SS6151440SP	10	14
SM6050802TP	72	12	SM9081050SE	46	30	SS6151440SP	48	17
SM6051002TP	12	43	SQ1110401MZ	6	25	SS6151440SP	74	18
SM6051402TP	14	55	SQ1150451MZ	6	26	SS6152440SP	10	10
SM6051402TP	22	27	SQ1150451MZ	28	33	SS6621220SP	6	19
SM6051402TP	26	21	SQ1150451MZ	32	33	SS7060610SP	22	57
SM6051402TP	30	53	SQ1150501SD	28	38	SS7060610SP	24	57
SM6051402TP	32	3	SQ1150501SD	32	38	SS7060610SP	26	6
SM6051402TP	46	15	SQ1680701MZ	52	83	SS7080510TP	12	56
SM6051402TP	72	7	SS1110840SP	28	35	SS7080510TP	14	56
SM6051602TP	68	30	SS1110840SP	32	35	SS7090520SP	2	25
SM6052502TP	24	60	SS2090710TP	2	46	SS7090910TP	6	43
SM6052502TP	26	38	SS2090810SP	2	21	SS7090910TP	46	18
SM6061202TP	46	24	SS2110915SP	64	4	SS7110340SP	42	27
SM6061210SC	46	22	SS2110915SP	66	3	SS7110510SP	2	41
SM6061210SC	50	39	SS3061310SP	40	51	SS7110510SP	60	24
SM6061552TP	20	34	SS5060310SP	80	97	SS7110710SP	68	21
SM6061602TP	12	34	SS5090420SP	38	59	SS7110810SP	16	15
SM6061650TP	20	3	SS5090420SP	40	59	SS7110810SP	42	9
SM6061802TP	48	19	SS5150510SP	60	21	SS7110910SP	2	33
SM6061802TP	74	20	SS6060440TP	66	16	SS7110910SP	16	51
SM6062002TP	30	51	SS6060440TP	80	96	SS7110910SP	18	51
SM6062002TP	34	48	SS6080610TP	28	41	SS7111810TP	10	6
SM6062502TP	16	3	SS6080610TP	32	41	SS7120710SP	14	51
SM6063502TP	68	28	SS6081210SP	52	59	SS7120710SP	54	33
SM6081802TP	46	34	SS6090620SP	42	23	SS7120710SP	58	22
SM8030402TP	8	64	SS6110480SP	2	39	SS7121610SP	2	11
SM8030402TP	20	12	SS6110610TP	54	34	SS7121610SP	16	49
SM8040412TP	48	10	SS6110610TP	58	21	SS7121610SP	18	49
SM8040502TP	8	54	SS6110630TP	4	62	SS7150940SP	4	49
SM8040602TP	42	6	SS6111010SP	64	12	SS7620750SP	16	4
SM8040802TP	22	21	SS6111010SP	66	11	SS7621040SP	42	36

NUMERICAL INDEX OF PARTS

PART NO	PAGE	REF NO.	PART NO	PAGE	REF NO.
SS7681750TP	6	3	WP0520656SA	42	25
SS8080410TP	10	3	WP0531000SE	68	31
SS8080410TP	66	14	WP0531001SC	42	24
SS8080410TP	80	95	WP0621016SD	48	22
SS8080610SP	28	15	WP0621016SD	68	29
SS8080610SP	32	15	WP0621016SD	74	25
SS8090710SP	18	50	WP0621016SH	30	52
SS8110422TP	20	7	WP0621016SH	34	49
SS8110422TP	22	33	WP0641601SD	48	21
SS8110422TP	26	14	WP0641601SD	74	23
SS8111610SP	42	26	WP0651056SH	30	50
SS8120740SP	6	47	WP0651056SH	42	8
SS8120740SP	10	19	WP0740516SP	20	14
SS8120740SP	12	66	WP1221016SP	46	10
SS8120740SP	14	66	WS0410002KN	72	15
SS8120740SP	44	19	WT0530002KS	22	40
SS8150750SP	50	19	WZ1052010KP	4	63
SS8150822TP	6	15			
SS8660410SP	12	47			
SS8660410SP	20	38			
SS8660512TP	6	5			
SS8660610TP	16	29			
SS8660610TP	46	26			
SS8660810TP	12	27			
SS8661012TP	20	22			
SS8681650TP	6	4			
TA0750704R0	2	6			
TA1050504R0	2	19			
TA1250406R0	2	3			
TA1250504R0	2	36			
TA1450404R0	50	1			
TA2050406R0	2	54			
TA2050406R0	4	54			
WP0320501SC	22	10			
WP0320501SC	26	40			
WP0320501SC	38	55			
WP0320501SC	40	55			
WP0320501SC	52	60			
WP0320501SC	60	18			
WP0371016SD	46	19			
WP0450000SD	10	22			
WP0450846SP	72	16			
WP0482086SD	40	48			
WP0520656SA	22	47			
WP0520656SA	26	39			